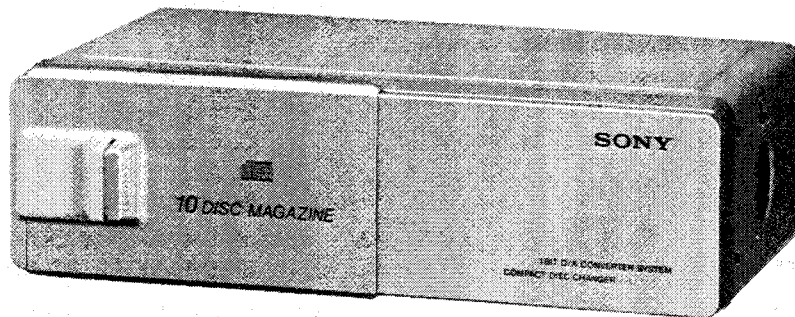


CDX-45/45RF

SERVICE MANUAL

US Model
Canadian Model
German Model
UK Model
E Model
CDX-45/45RF
AEP Model
CDX-45



Model Name Using Similar Mechanism	NEW
Optical Pic-Up Block Name	KSS-315A

SPECIFICATIONS

CD changer

System	Compact disc digital audio system
Laser Diode Properties	
Material	GaAlAs
Wavelength	780 nm
Emission Duration	Continuous
Laser out-put Power	Less than 44.6 μ W*
	* This output is the value measured at a distance of 200 mm from the objective lens surface on the Optical Pick-up Block.
Frequency response	10 - 20,000 Hz
Wow and flutter	Less than measurable limit
Signal-to-noise ratio	More than 90 dB
Output terminals	Unilink control output terminal (8 pin) Analog audio output terminal (RCA pin)
Current drain	800 mA (at playback) 800 mA (at disc loading/ejecting)
Operational temperature	-10°C to +55°C (14°F - 131°F)
Dimensions	Approx. 305 x 90 x 174 mm (12 ¹ / ₈ x 3 ⁵ / ₈ x 6 ⁷ / ₈ in.) (w/h/d)
Mass	Approx. 2.5 kg (5 lb. 8 oz.)

Hideaway unit/Remote commander

Frequency	88.3 MHz/88.7 MHz/ 89.7 MHz/89.9 MHz (switchable)
Dimensions	Hideaway unit: Approx. 126 x 30 x 81 mm (5 x 1 ¹ / ₁₆ x 3 ¹ / ₄ in.) (w/h/d) Remote commander: Approx. 148 x 30 x 15 mm (5 ⁷ / ₈ x 1 ³ / ₁₆ x 1 ¹ / ₂ in.) (w/h/d)
Mass	Hideaway unit: Approx. 400 g (14 oz.) Remote commander: Approx. 120 g (4 oz.)

Supplied accessories

Disc magazine (1)
Unilink cable (1)
RCA pin cord (1)
Mounting hardware (1 set)

Optional accessories

CD cleaning kit CDM-21BK
CD single adaptor CSA-8
Disc magazine XA-10B

Design and specifications subject to change without notice.

www.manualscenter.com

CDX-45
COMPACT DISC CHANGER
CDX-45RF
COMPACT DISC CHANGER SYSTEM
SONY®

NOTES ON HANDLING THE OPTICAL PICK-UP BLOCK OR BASE UNIT

The laser diode in the optical pick-up block may suffer electrostatic breakdown because of the potential difference generated by the charged electrostatic load, etc. on clothing and the human body.

During repair, pay attention to electrostatic breakdown and also use the procedure in the printed matter which is included in the repair parts.

The flexible board is easily damaged and should be handled with care.

Laser Diode Properties

- Material: GaAlAs
- Wavelength: 780 nm
- Emission Duration: continuous
- Laser Output Power: less than 44.6 μ W*
 - * This output is the value measured at a distance of 200 mm from the objective lens surface on the Optical Pick-up Block.

CAUTION

Use of controls or adjustments or performance of procedures other than those specified herein may result in hazardous radiation exposure.

SAFETY-RELATED COMPONENT WARNING!!

COMPONENTS IDENTIFIED BY MARK Δ OR DOTTED LINE WITH MARK Δ ON THE SCHEMATIC DIAGRAMS AND IN THE PARTS LIST ARE CRITICAL TO SAFE OPERATION. REPLACE THESE COMPONENTS WITH SONY PARTS WHOSE PART NUMBERS APPEAR AS SHOWN IN THIS MANUAL OR IN SUPPLEMENTS PUBLISHED BY SONY.

ATTENTION AU COMPOSANT AYANT RAPPORT À LA SÉCURITÉ!

LES COMPOSANTS IDENTIFIÉS PAR UNE MARQUE Δ SUR LES DIAGRAMMES SCHÉMATIQUES ET LA LISTE DES PIÈCES SONT CRITIQUES POUR LA SÉCURITÉ DE FONCTIONNEMENT. NE REMPLACER CES COMPOSANTS QUE PAR DES PIÈCES SONY DONT LES NUMÉROS SONT DONNÉS DANS CE MANUEL OU DANS LES SUPPLÉMENTS PUBLIÉS PAR SONY.

TABLE OF CONTENTS

<u>Section</u>	<u>Title</u>	<u>Page</u>
	Specifications	1
	Note on Handling the Optical Pick-up Block or Base Unit	2
	Servicing Note	2
1.	GENERAL	
	Location and Function of Controls	3
	Connections	4
2.	DISASSEMBLY	5
3.	MECHANICAL ADJUSTMENTS	
3-1.	Elevator Height Adjustment	9
4.	ELECTRICAL ADJUSTMENTS	
4-1.	Focus Offset Adjustment	10
4-2.	Tracking Offset Adjustment	10
4-3.	DC Balance Adjustment	11
5.	DIAGRAMS	
5-1.	Compact Disc Changer Section Block Diagram	12
5-2.	Hideaway Section Block Diagram	14
5-3.	Compact Disc Changer Section Schematic Diagram	16
5-4.	Compact Disc Changer Section Printed Wiring Boards	21
5-5.	Hideaway Section Printed Wiring Board and Schematic Diagram	26
5-6.	Remote Commander Section Printed Wiring Board and Schematic Diagram	31
5-7.	IC Pin Function Description	37
6.	EXPLODED VIEWS	42
7.	ELECTRICAL PARTS LIST	50

SERVICING NOTE

Flexible Circuit Board Repairing

- Keep the temperature of the soldering iron around 270°C during repairing.
- Do not touch the soldering iron on the same conductor of the circuit board (within 3 times).
- Be careful not to apply force on the conductor when soldering or unsoldering.

Notes on chip component replacement

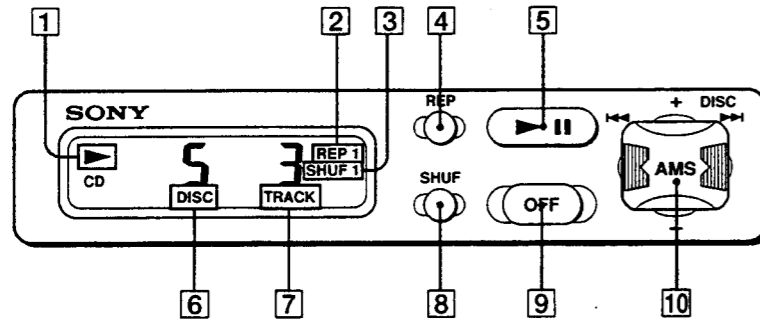
- Never reuse a disconnected chip component.
- Notice that the minus side of a tantalum capacitor may be damaged by heat.

This section is extracted from instruction manual.

SECTION 1 GENERAL

Location and Function of Controls

Remote Commander



- 1 ► (play/pause) indication
Lights during CD playback and blinks when the pause button is pressed.
- 2 REP (repeat play) indication
- 3 SHUF (shuffle play) indication
- 4 REP (repeat play/control mode set) button
- 5 ►|| (play/pause) button
If pressed during playback, the CD will pause. If pressed again, playback will continue.
- 6 DISC (disc number) indication
The indicated disc number matches the disc number on the disc magazine.
- 7 TRACK (track number) indication
- 8 SHUF (shuffle play) button
- 9 OFF button

- 10 AMS*/DISC (disc select/manual search) switch
Depending on which side of the switch you press, you can select from following functions.

	<p>AMS function To search the beginning of a track, press ►► to locate the beginning of the next track. ◄◄ to locate the beginning of the track currently played. If you press the switch repeatedly, the beginnings of all following or previous tracks will be located until the end of the disc is reached.</p>
	<p>Disc select function To select a desired disc, press momentarily + to select the next disc. - to select the previous disc.</p> <p>Manual search function To quickly search a desired point of a track, press and hold down + to fast-forward. - to fast-reverse. The elapsed playing time of the track will be shown on the display window during manual search.</p>

*Automatic Music Sensor

Connections

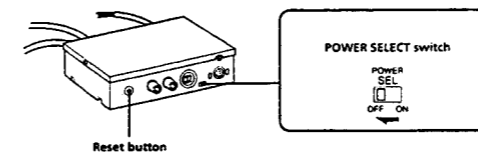
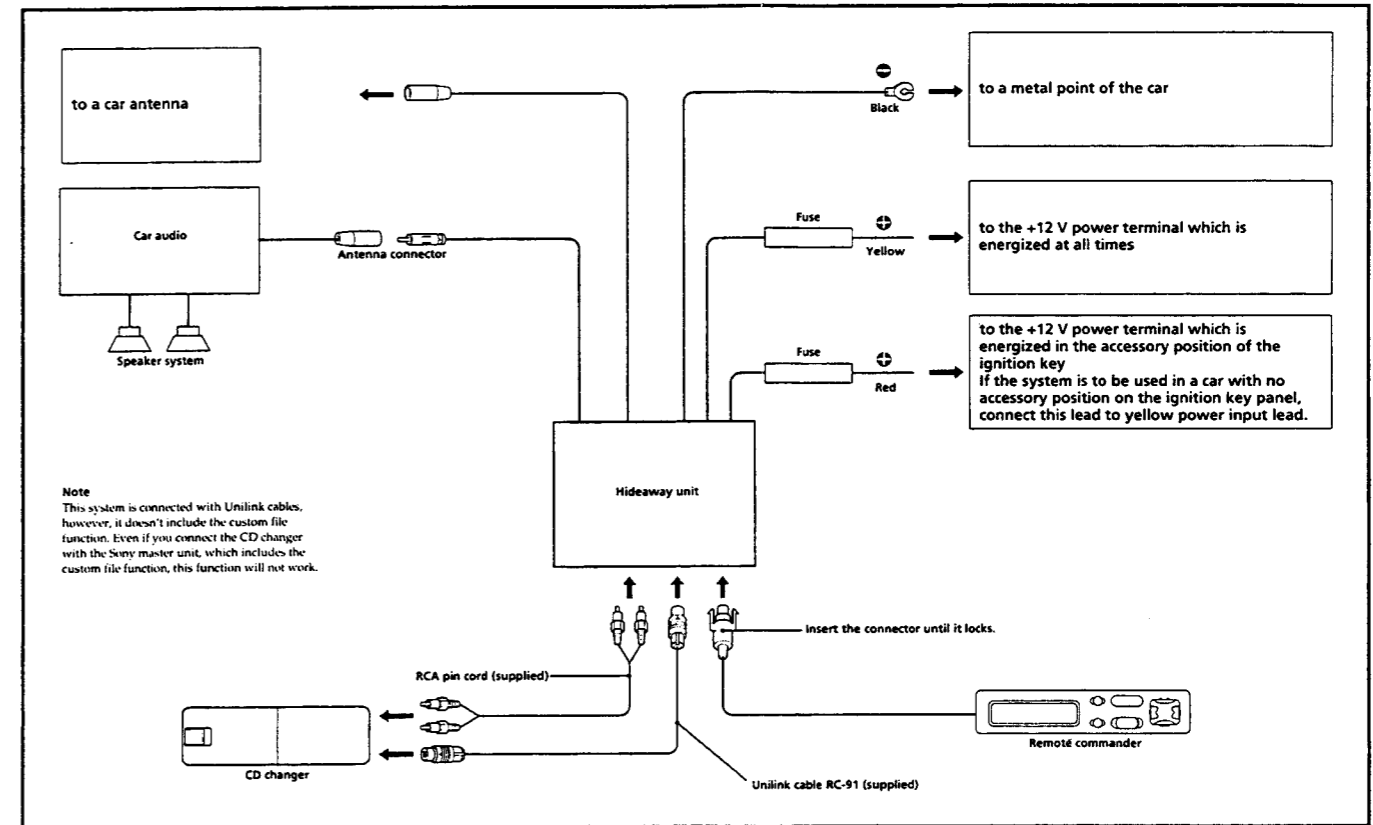
Caution

- This system is designed for negative ground 12 V DC operation only.
- Before making connections, disconnect the ground terminal of the car battery to avoid short circuits.
- Connect the yellow and red power input leads only after all other leads have been connected.
- Be sure to connect the red power input lead to the positive 12 V power terminal which is energized when the ignition key is in the accessory position.
- Run all ground wires to a common ground point.
- Press the reset button on the hideaway unit after completing the connections.

Fuse Replacement

If the fuse blows, check the power connection and replace the fuse. If the fuse blows again after replacement, there may be an internal malfunction.

Warning
Use the specified amperage fuse. Use of a higher amperage fuse may cause serious damage.



Installing the System in a Car without Accessory Position

POWER SELECT switch setting
When this system is to be installed in a car with no ACC (accessory) position on the ignition panel, set the POWER SELECT switch on the front side of the hideaway unit to the OFF position. After the switch has been set, the power supply to this system will be turned off whenever the OFF button on the remote commander is pressed while the system is operating. However, when you turn off the ignition of your car, be sure to turn off the

power supply by pressing of the above mentioned button in order to conserve the car battery. (If you use this system with the POWER SELECT switch set to the ON position in a car with no accessory position, the OFF button will not turn off the power supply to the whole system.)
When you change the setting of the POWER SELECT switch, be sure to press the reset button on the hideaway unit with a ball-point pen etc.

Changing the Transmitting Frequency

You can select the frequency of the modulated RF signal being transmitted from the hideaway unit according to the level of interference noise.

1. Press the REP button for approx. 2 seconds.
The system will enter the frequency selecting mode. The initial setting is 88.3 MHz.
2. Press either the left or right side of the AMS switch to select the frequency.
Each time you press, the AMS switch will change the frequency as follows:
◄◄: 88.3 MHz → 89.9 MHz → 89.7 MHz → 88.7 MHz → 88.3 MHz
►►: 88.3 MHz → 88.7 MHz → 89.7 MHz → 89.9 MHz → 88.3 MHz
3. Press the REP button again for approx. 2 seconds.

Note
Be sure to set the frequency of your FM tuner to that of the newly selected frequency.

Changing the Output Level

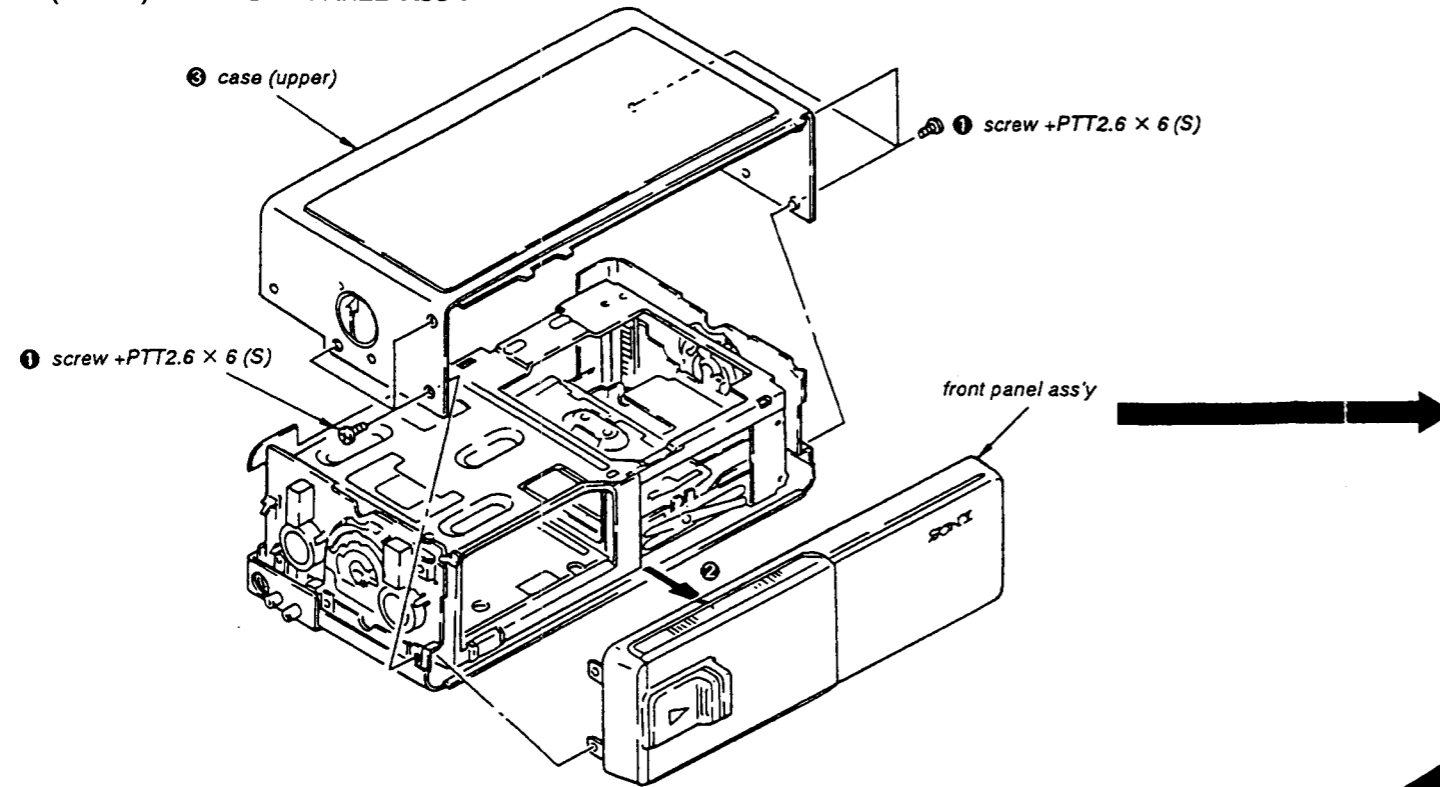
You can select the output level from the CD changer. Normally the system is used in the initial output level, change the level if necessary.

1. Press the REP button for approx. 2 seconds.
The system will enter the frequency selecting mode.
Initial setting:
2. Press the REP button momentarily.
The system will enter the output level selecting mode.
Initial setting:
3. Press either the left or right side of the AMS switch to select the level.
To decrease the output level:
- To increase the output level:
4. Press the REP button once again for approx. 2 seconds.

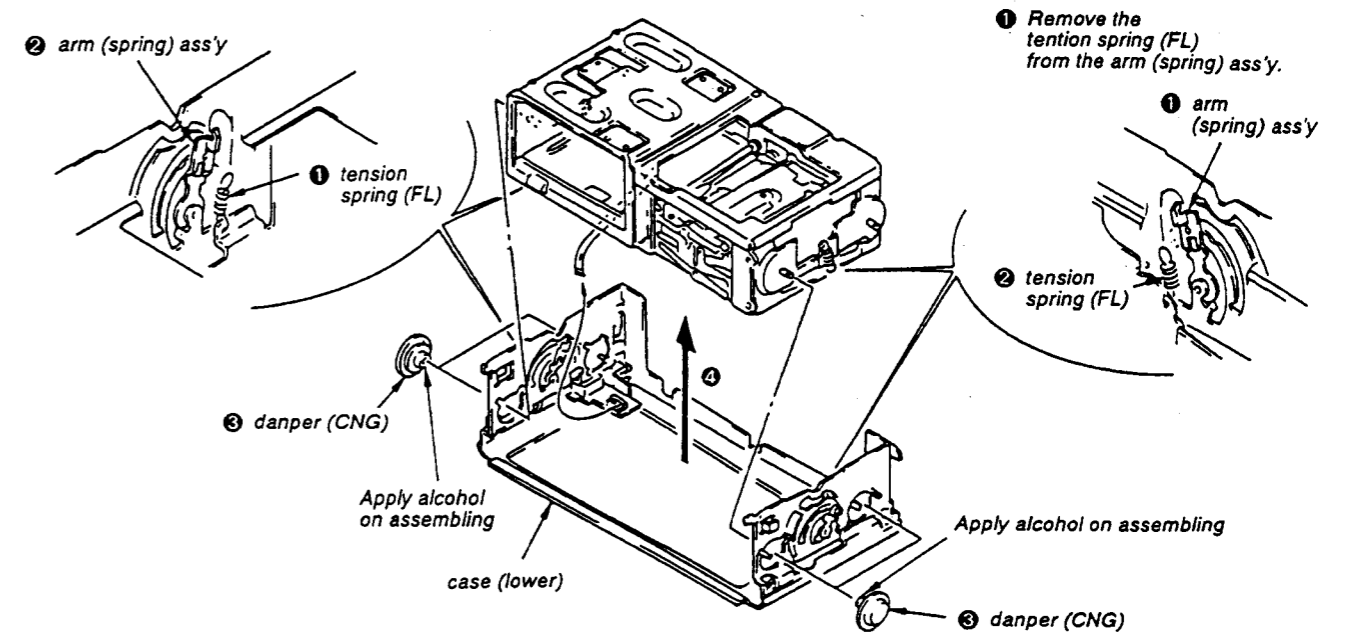
SECTION 2 DISASSEMBLY

Note: Follow the disassembly procedure in the numerical order given.

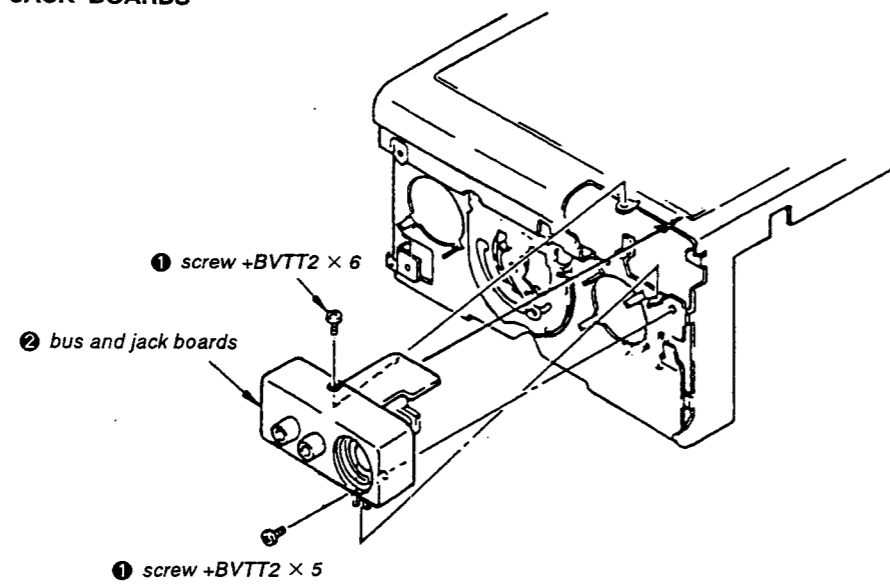
CASE (UPPER) AND FRONT PANEL ASS'Y



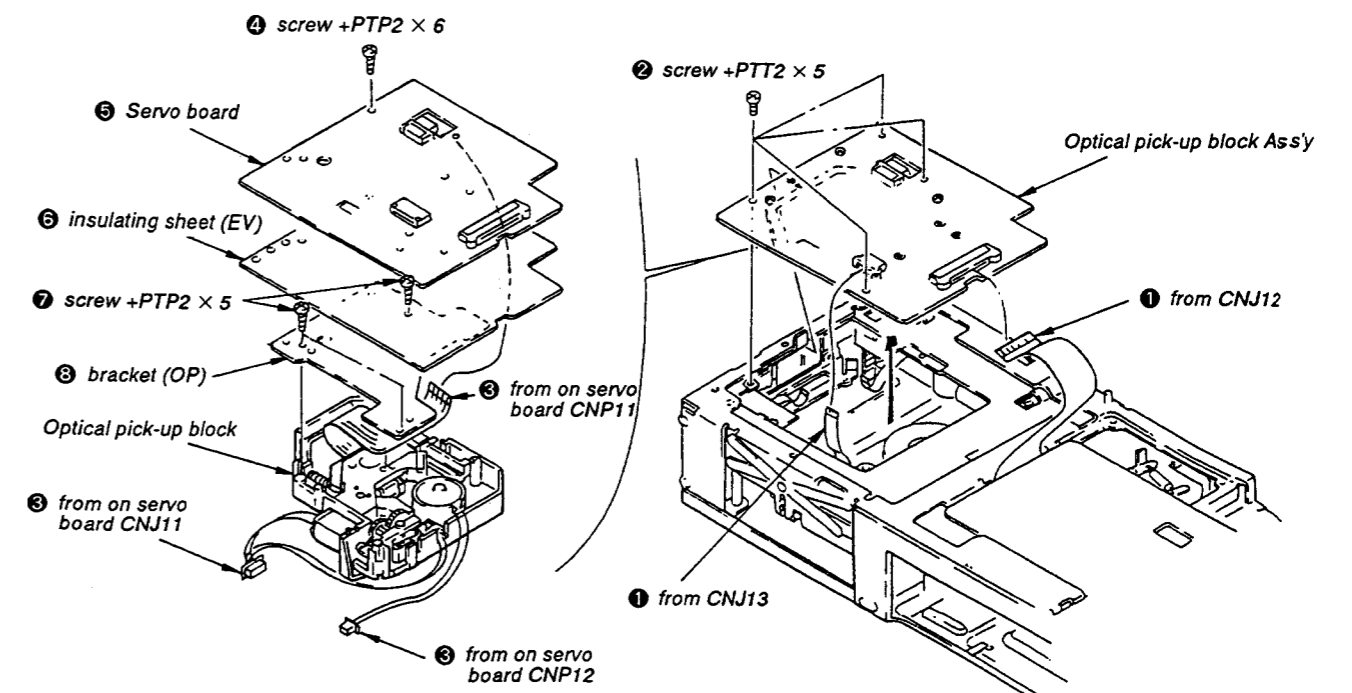
CASE (LOWER)



BUS AND JACK BOARDS

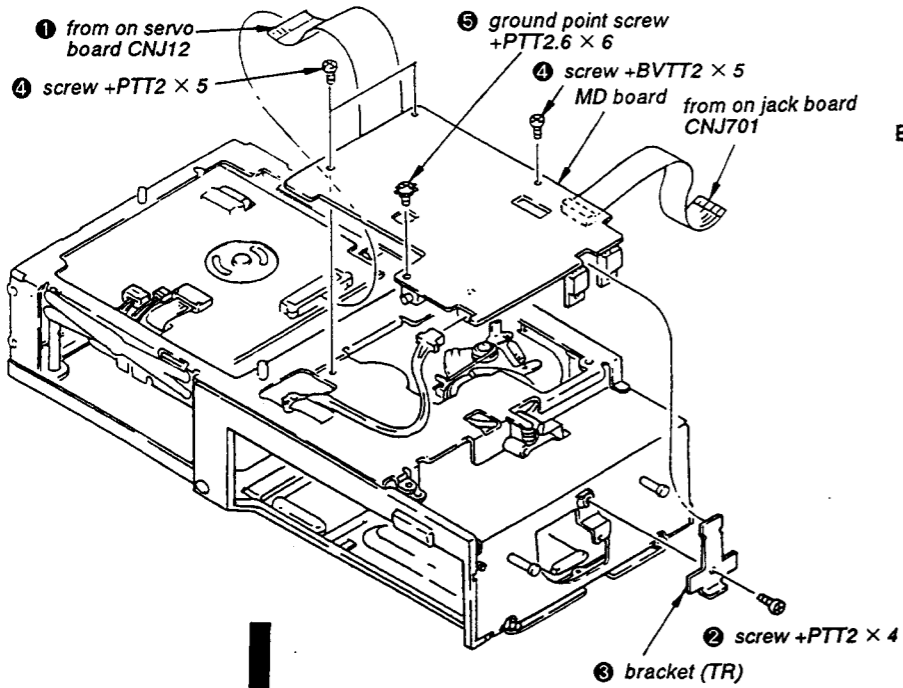


SERVO BOARD AND OPTICAL PICK-UP BLOCK

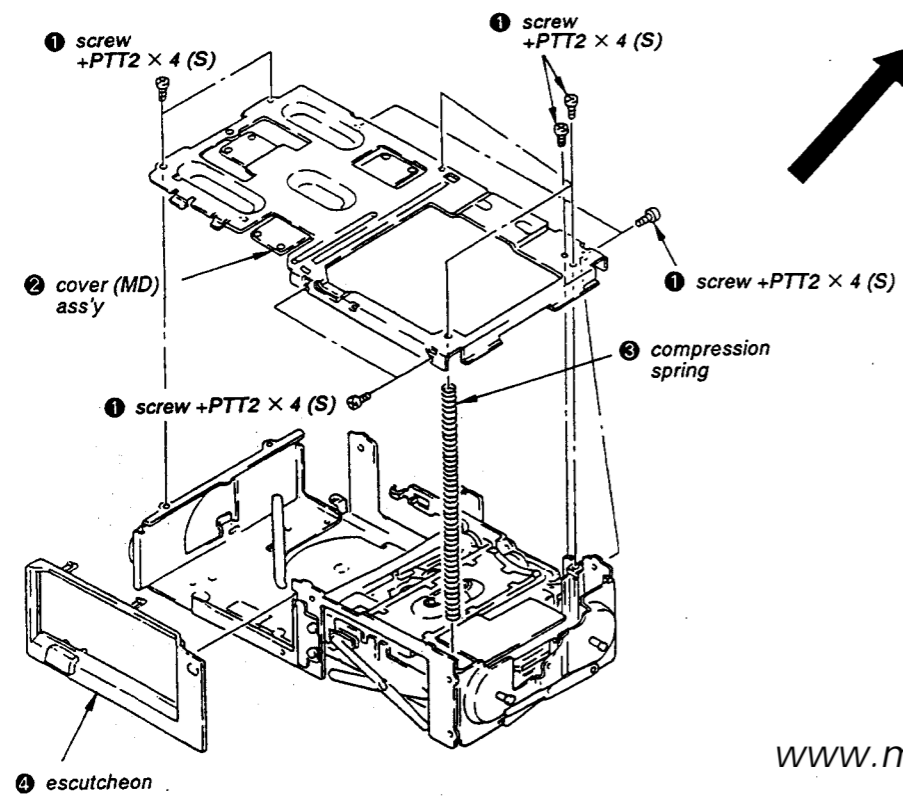


www.manualscenter.com

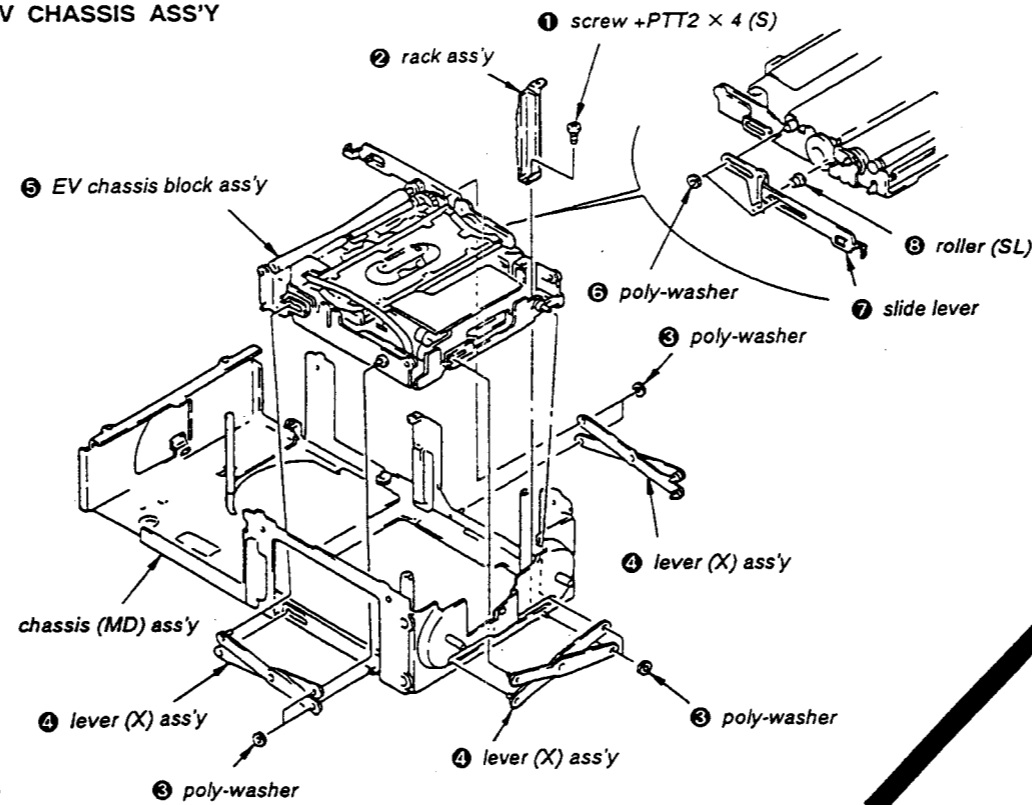
MD BOARD



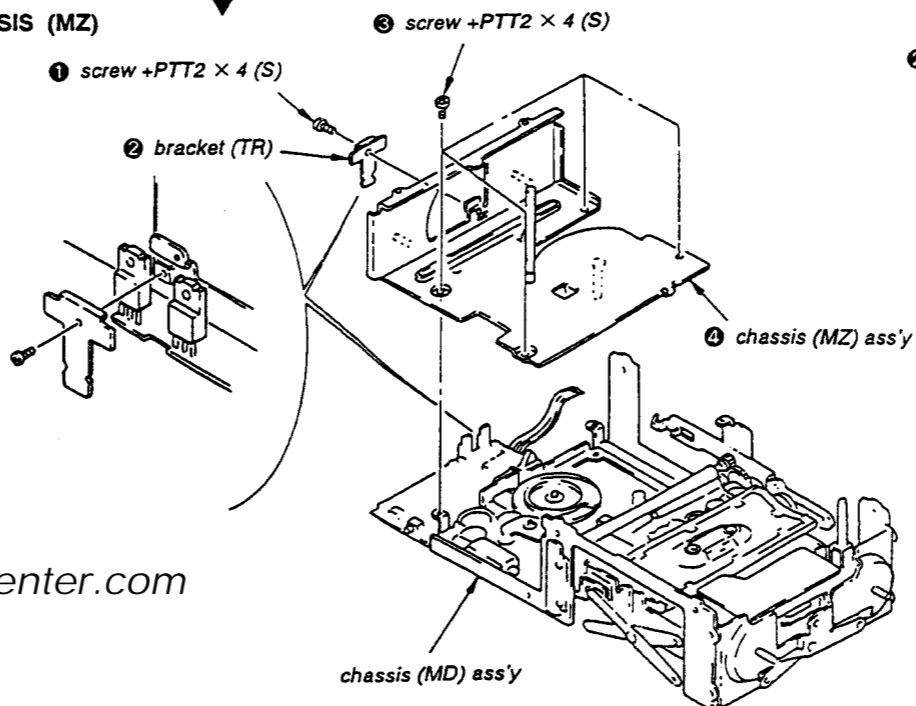
COVER (MD) ASS'Y AND ESCUTCHEON



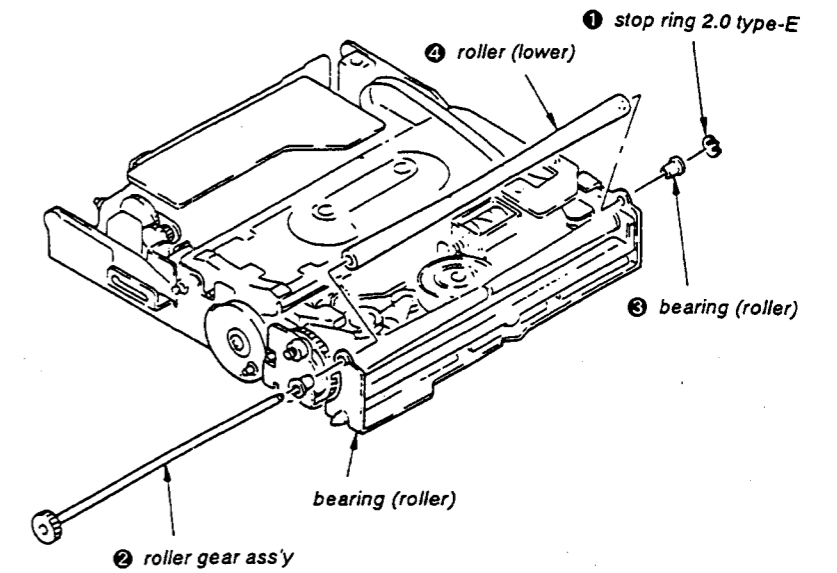
EV CHASSIS ASS'Y



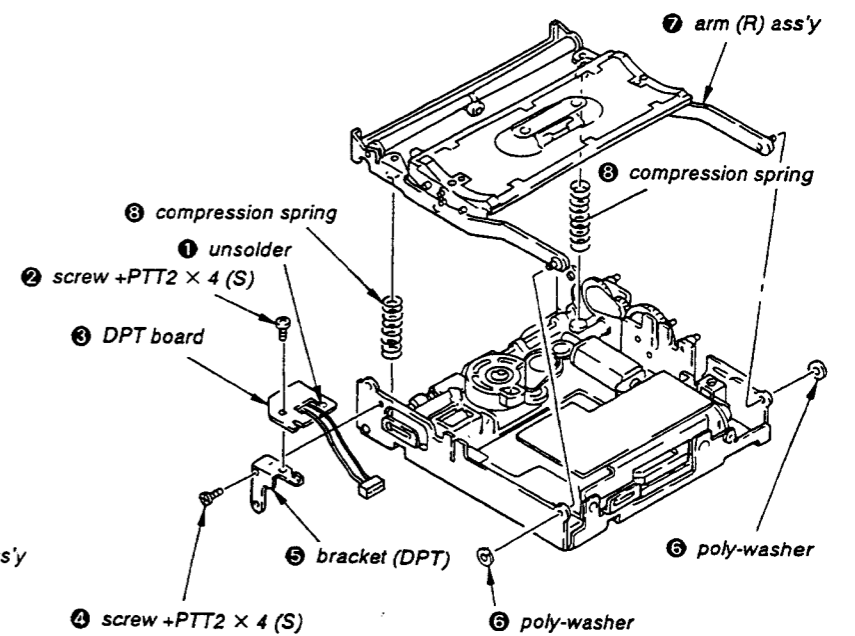
CHASSIS (MZ)



ROLLER (LOWER)



DPT BOARD AND ARM (R) ASS'Y



www.manualscenter.com

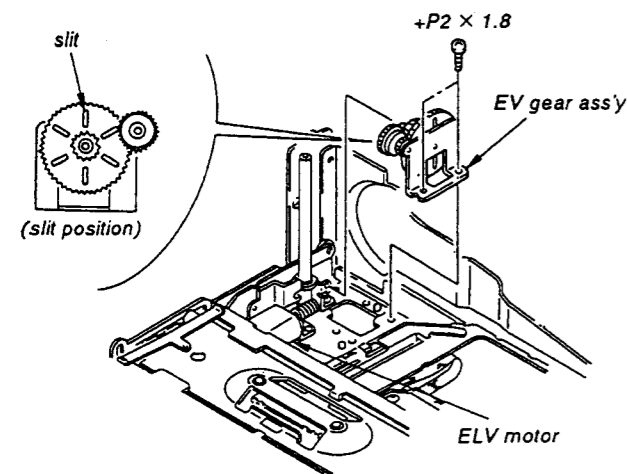
SECTION 3 MECHANICAL DIAGRAMS

3-1. ELEVATOR HEIGHT ADJUSTMENT

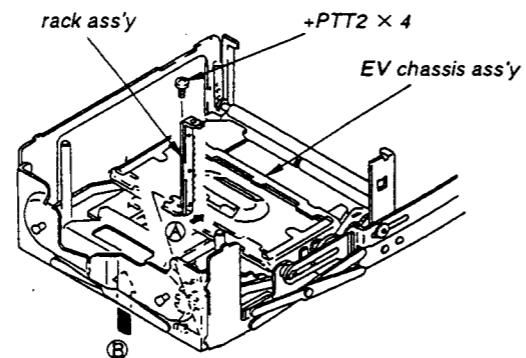
This adjustment should be done when replacing the rack assembly on the parts related to it.

Procedure :

1. Fit the EV gear assembly after adjusting its slit position as shown in the figure. (When the slit position is out of order after fitting, it can be adjusted finely by turning the worm gear of the ELV motor.)



2. Fit the rack assembly putting it in the arrow (A) direction. At this time insert a spacer (approx. 1 mm thickness) or fit the rack assembly while pushing the EV chassis assembly in the arrow (B) direction.



Note : When this adjustment is out of order, it doesn't operate normally and the roaring of the motor can be heard. In this case adjust again.

www.manualscenter.com

SECTION 4 ELECTRICAL DIAGRAMS

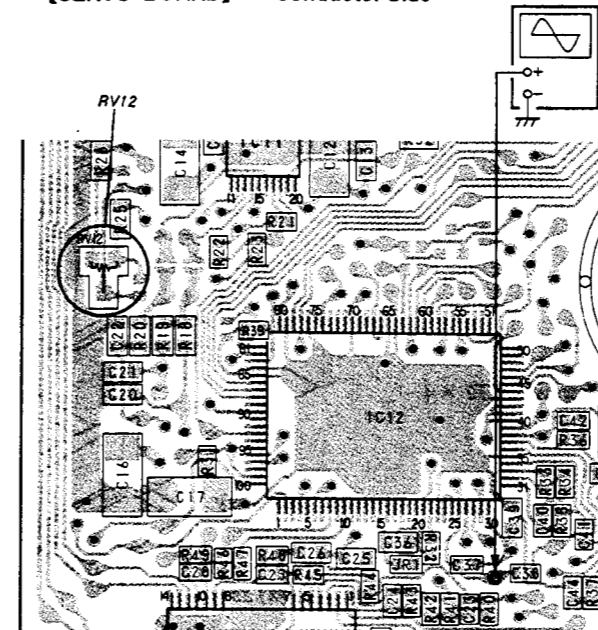
COMPACT DISC CHANGER

1. Perform adjustments as given.
2. Be sure to use the disc "YEDS-18" parts code : 3-702-101-01, but only when indicated.
3. Power supply voltage : DC 14.4 V (more than 3A)

4-1. FOCUS OFFSET ADJUSTMENT

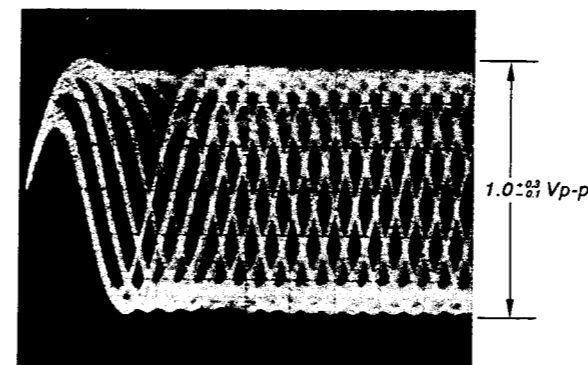
Procedure :

[SERVO BOARD] - Conductor Side -



1. Connect the oscilloscope to SERVO board test point **RF**, pin ② of IC12.
2. Put the set into play mode by loading the disc.
3. Adjust (SERVO board) RV12 so that the oscilloscope waveform eye pattern is good.
(A good eye pattern means that the diamond shape (◇) in the center of the oscilloscope can be clearly distinguished.)

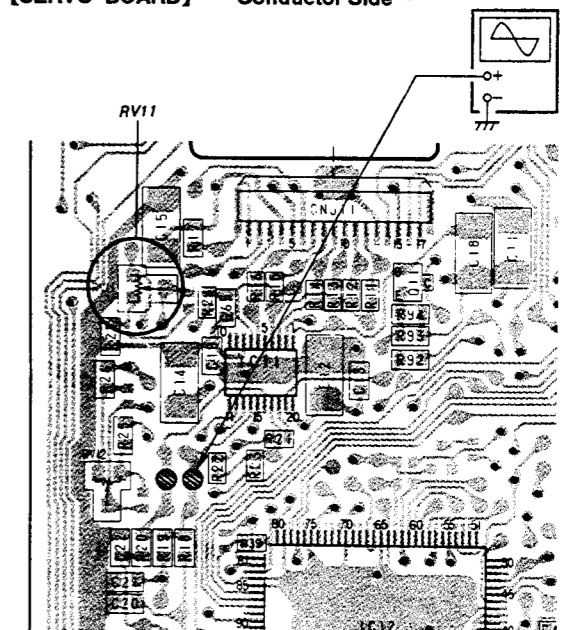
Volt/Div : 200 mV
Time/Div : 0.5 μSec



4-2. TRACKING OFFSET ADJUSTMENT

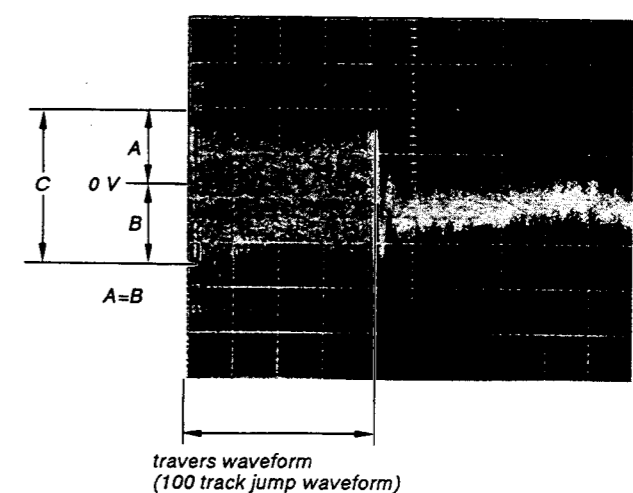
Procedure :

[SERVO BOARD] - Conductor Side -



1. Connect the oscilloscope to SERVO board test point **TE**, pin ④ of IC11.
2. Put the set into play mode by loading the disc.
3. Press the **AMS** button, then, check the traverse waveform.*
4. Adjust RV11 (SERVO board) so that the oscilloscope reading is symmetrical in relation to 0 V.
*Traverse waveform : This is the tracking error waveform appears when crossing the track.

Volt/Div : 0.5 V
Time/Div : 2 mSec
Center 0 V

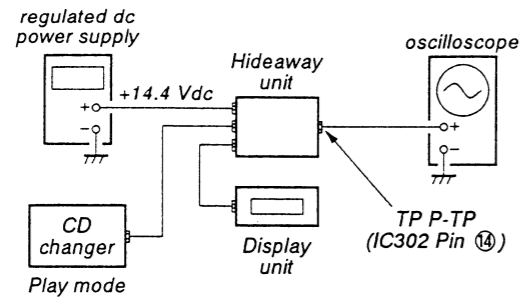


HIDEAWAY UNIT

Note: Don't move VR302 on replacing ICs or others.

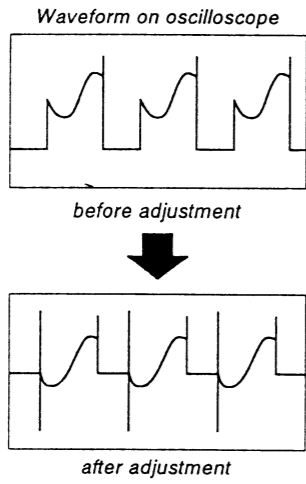
4-3. DC BALANCE ADJUSTMENT

Connection:



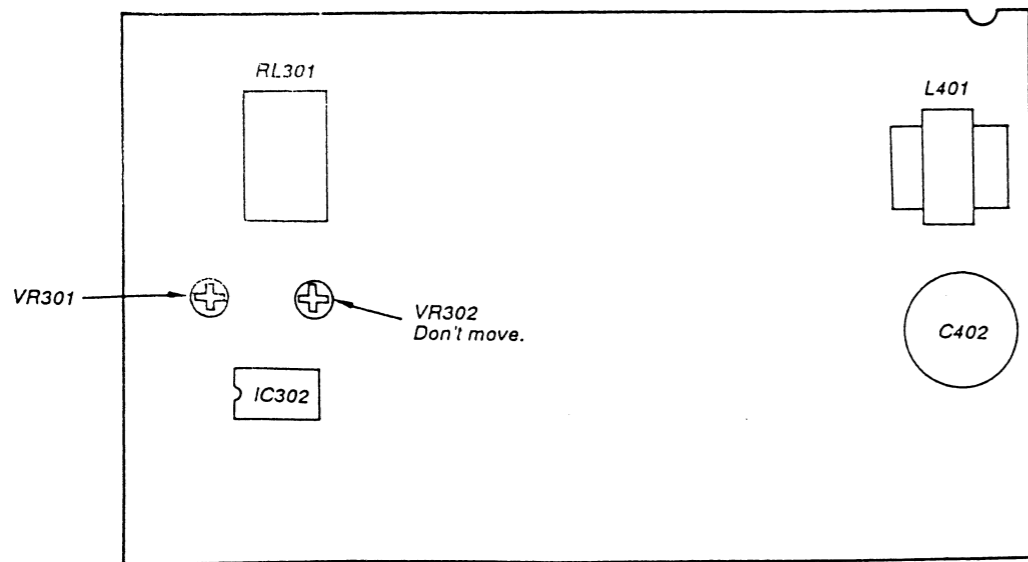
Procedure:

1. Adjust with VR301 so that the 38 kHz signal leakage becomes minimum.



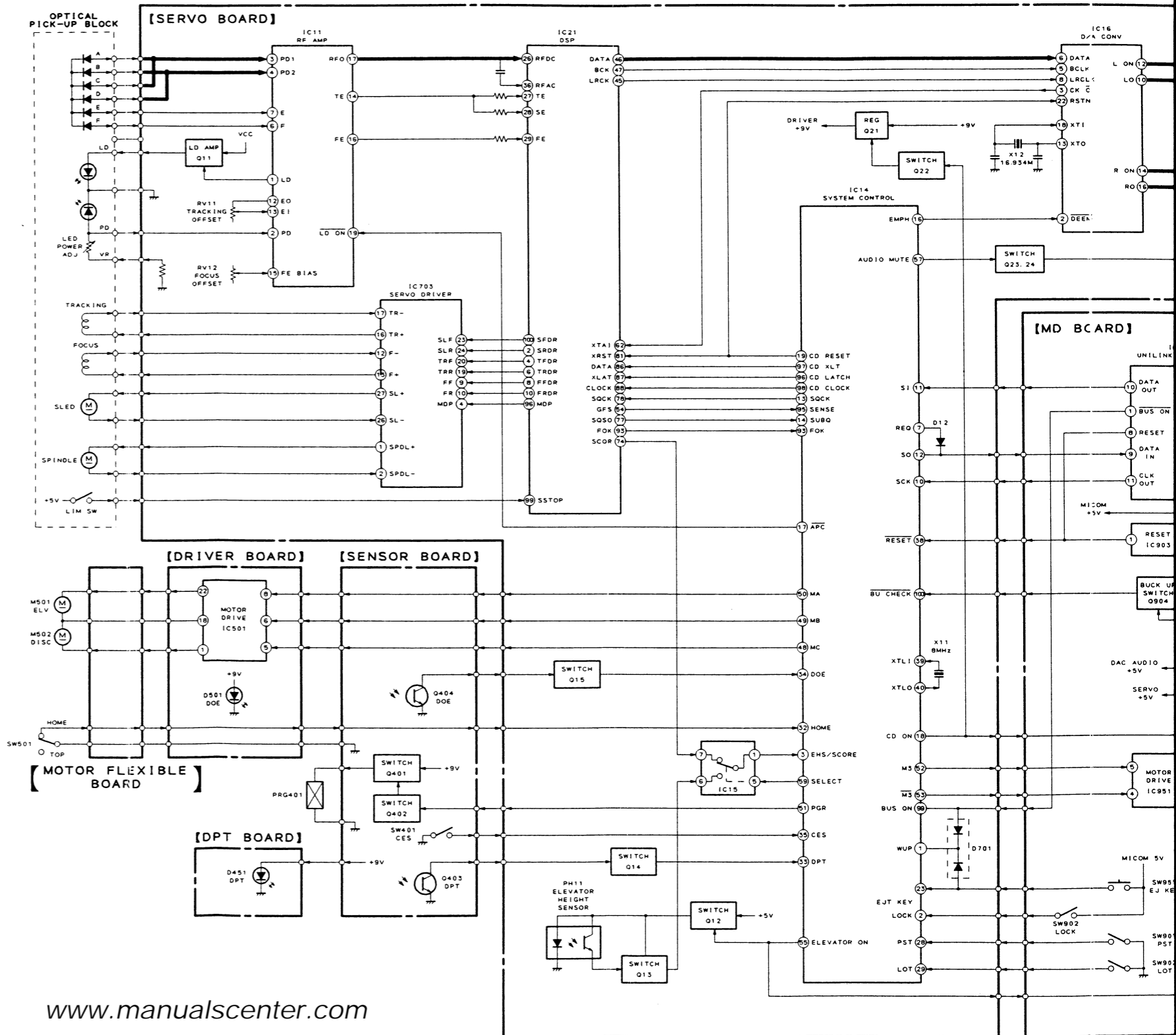
Adjustment Location:

HIDEAWAY BOARD - Component Side -



**SECTION 5
DIAGRAMS**

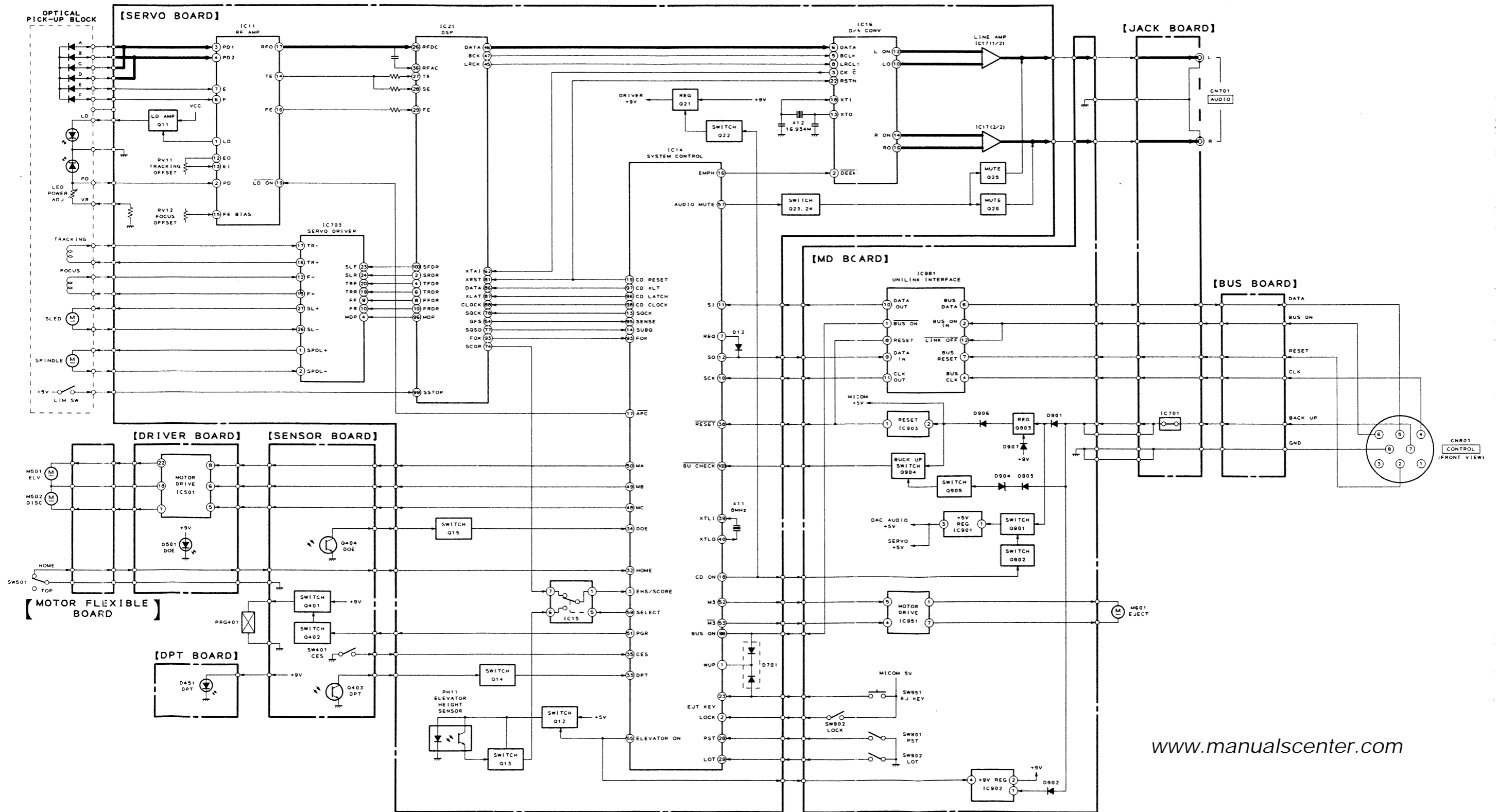
5-1. COMPACT DISC CHANGER SECTION BLOCK DIAGRAM



www.manualscenter.com

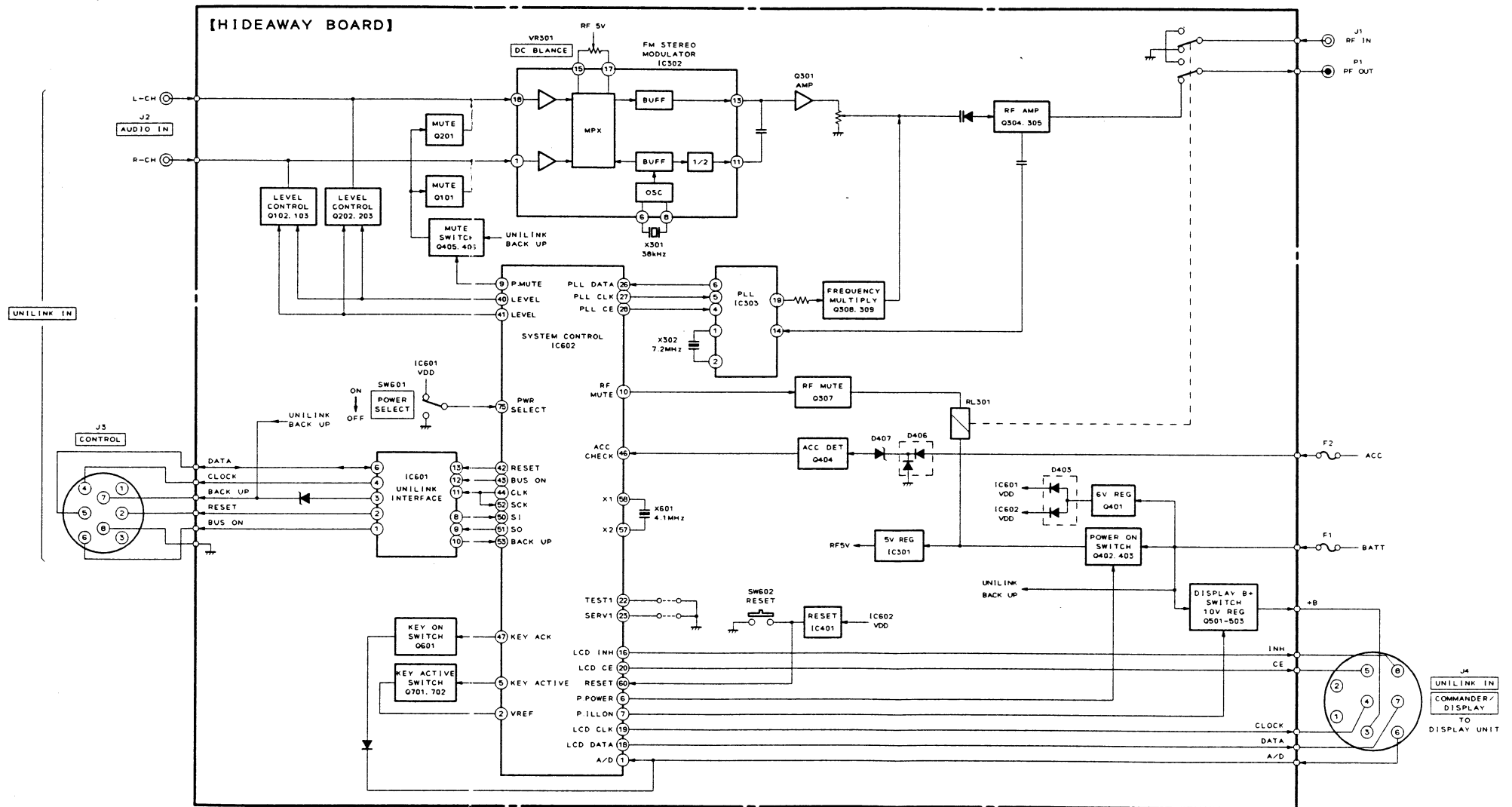
SECTION 5 DIAGRAMS

5-1. COMPACT DISC CHANGER SECTION BLOCK DIAGRAM

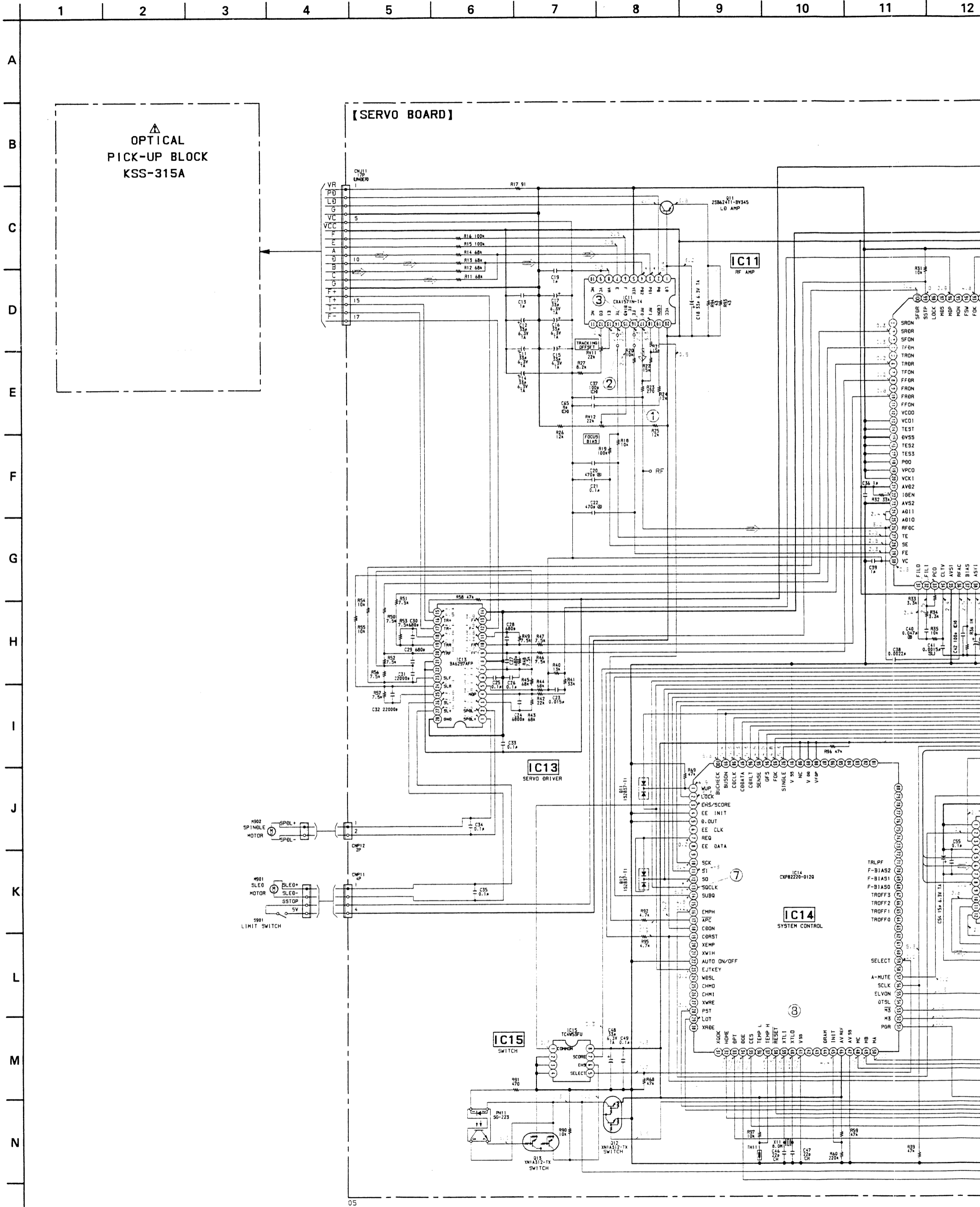


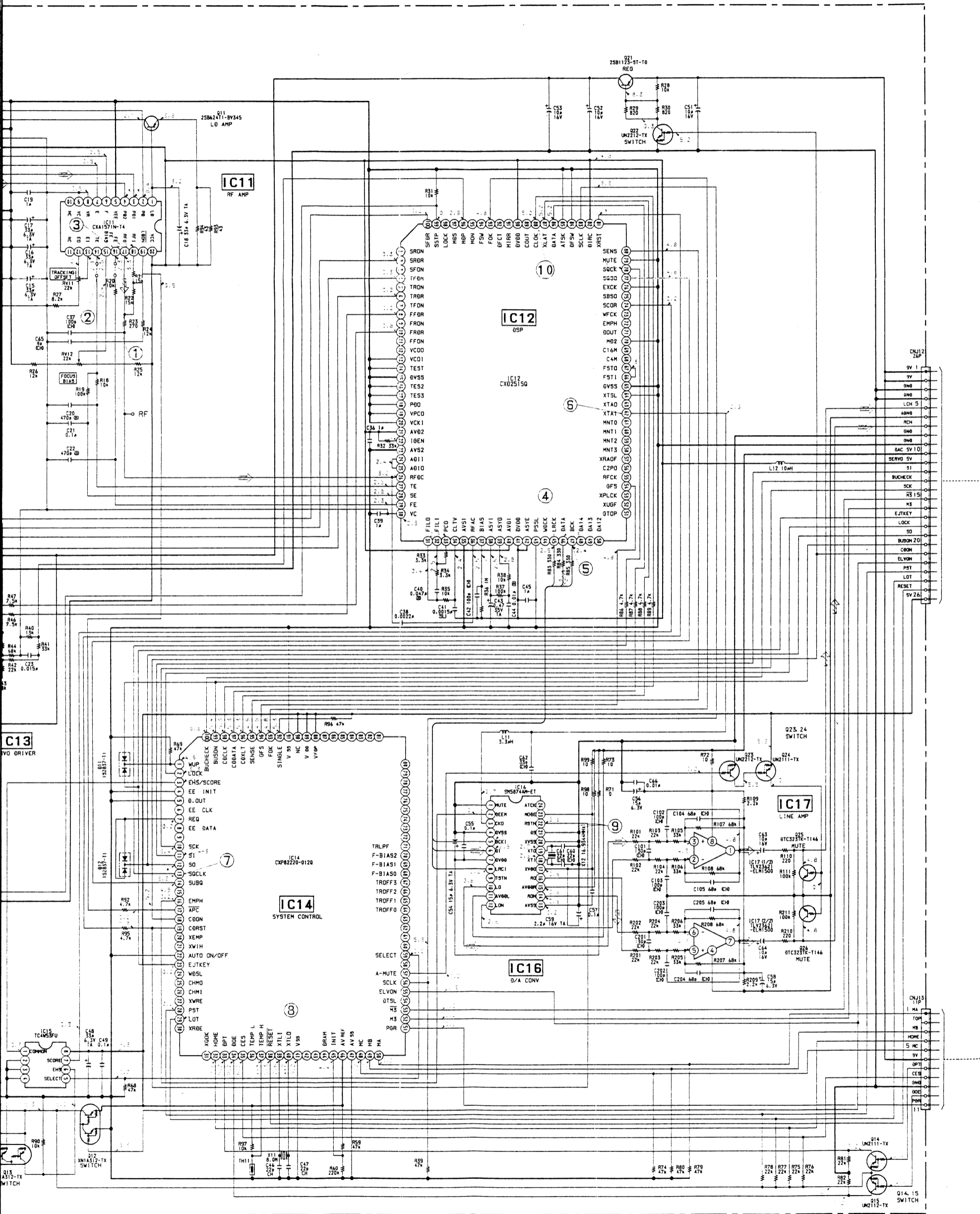
www.manualscenter.com

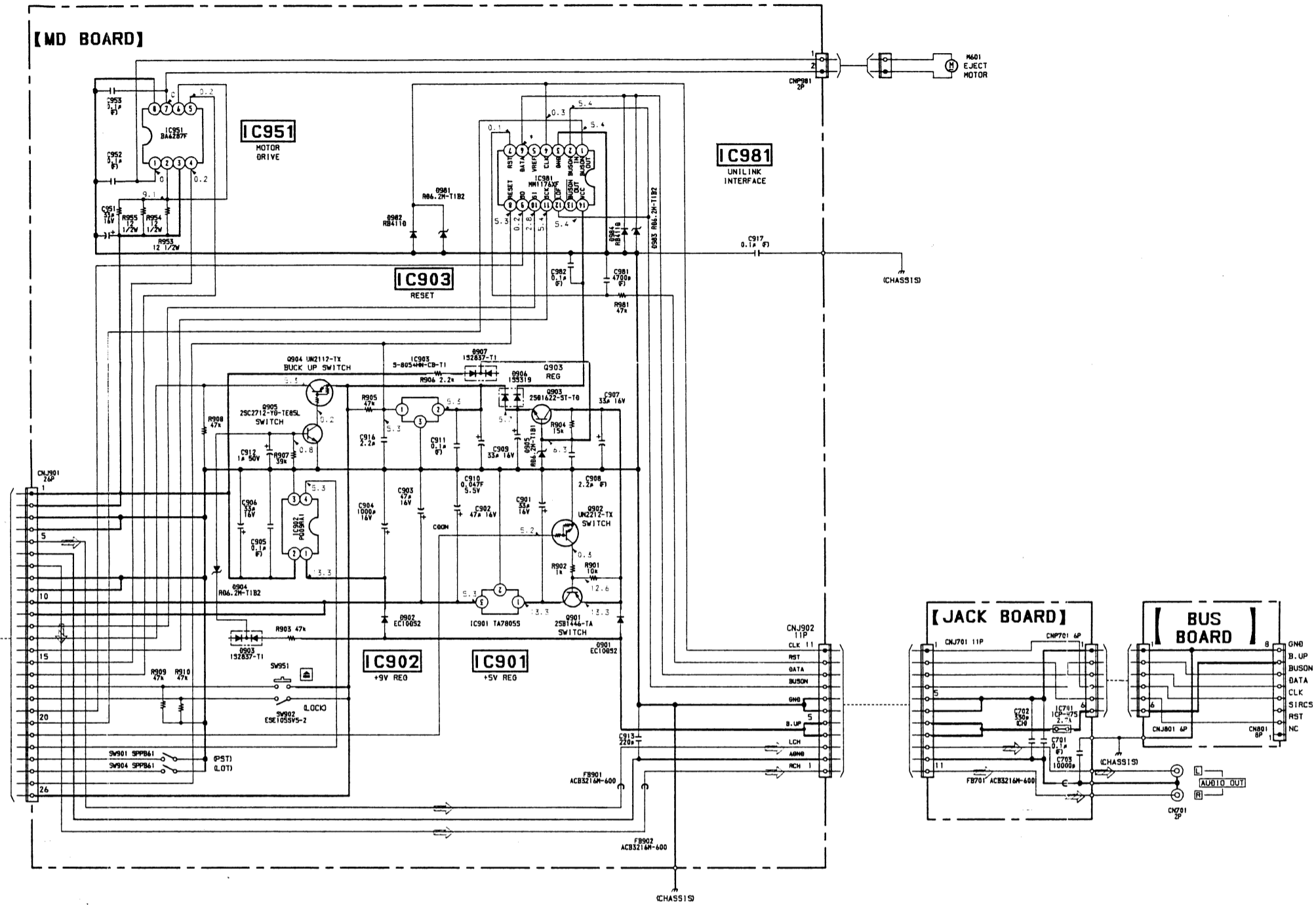
5-2. HIDEAWAY SECTION BLOCK DIAGRAM



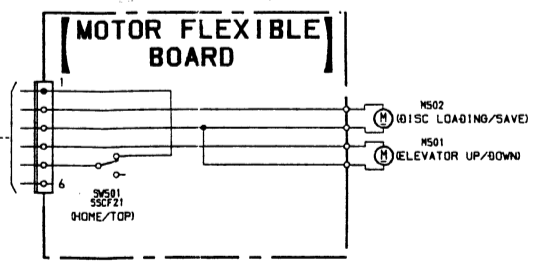
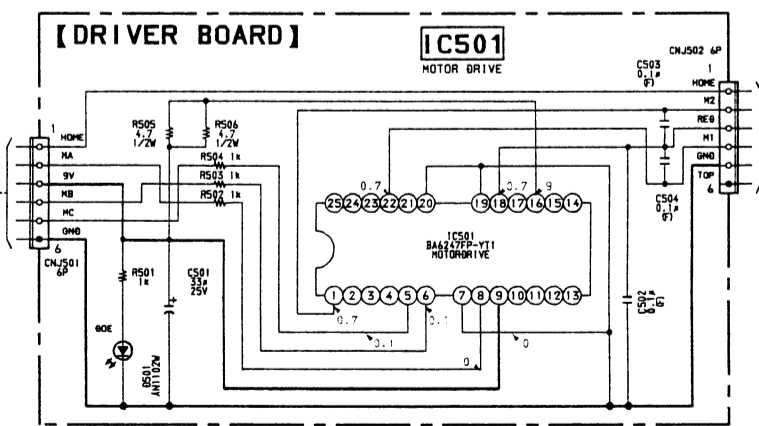
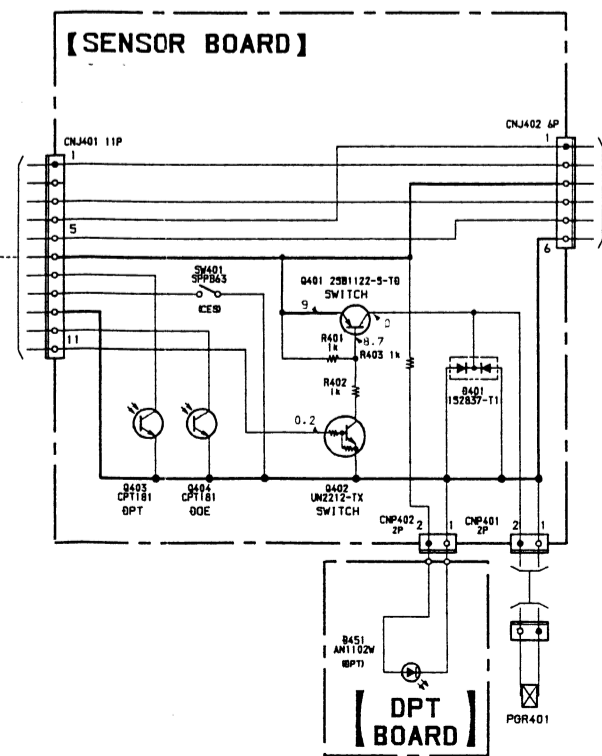
www.manualscenter.com



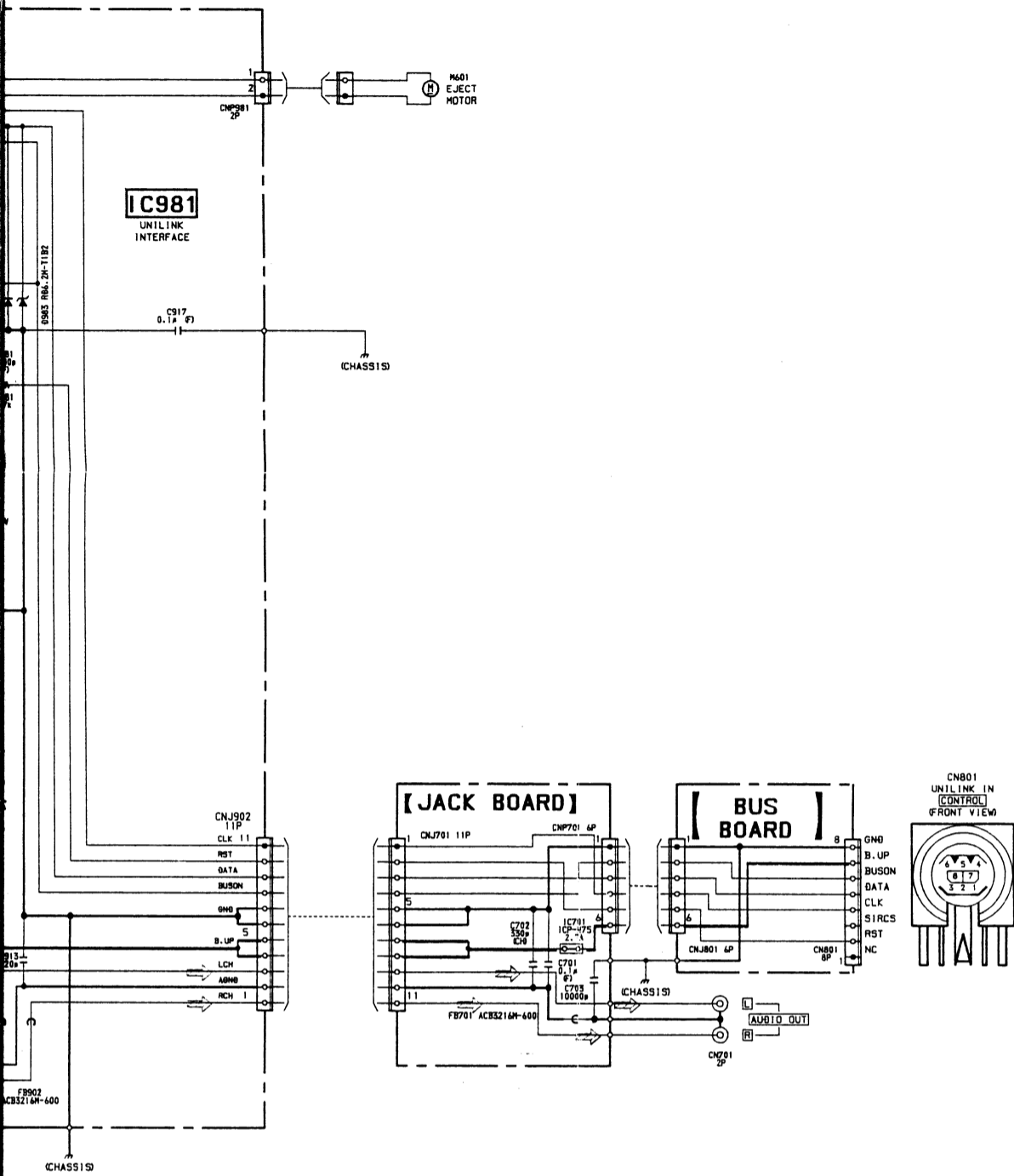




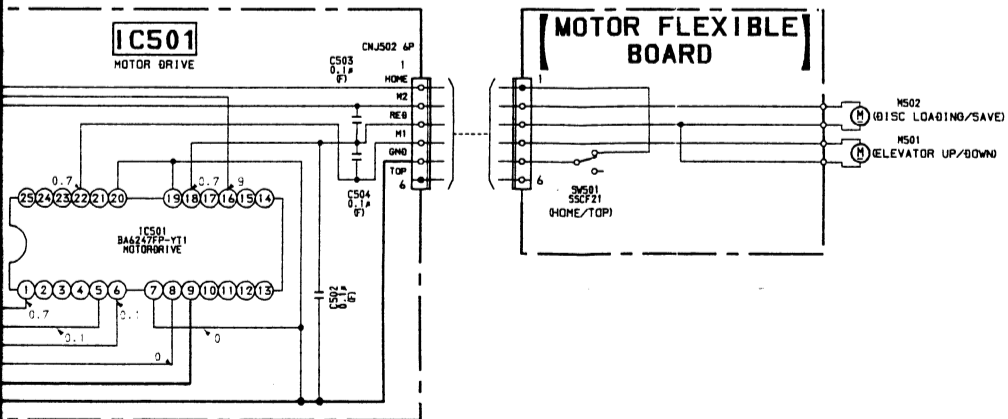
www.manualscenter.com



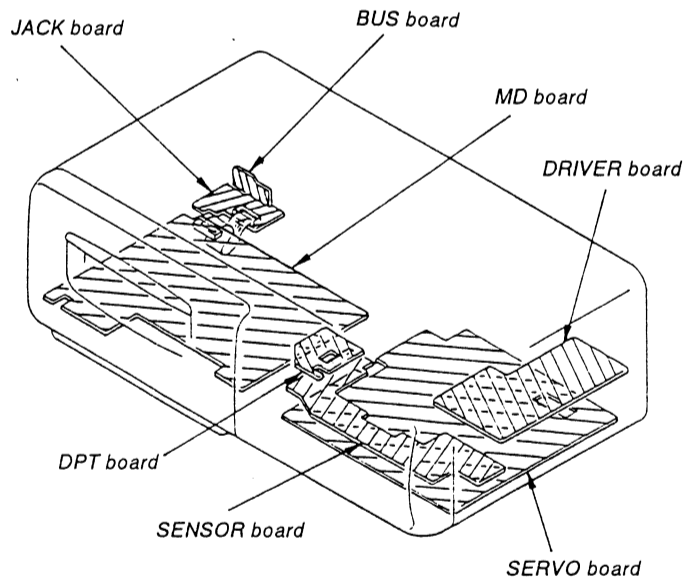
A
B
C
D
E
F
G
H
I
J
K
L
M
N
O
P



www.manualscenter.com



• Circuit Boards Location



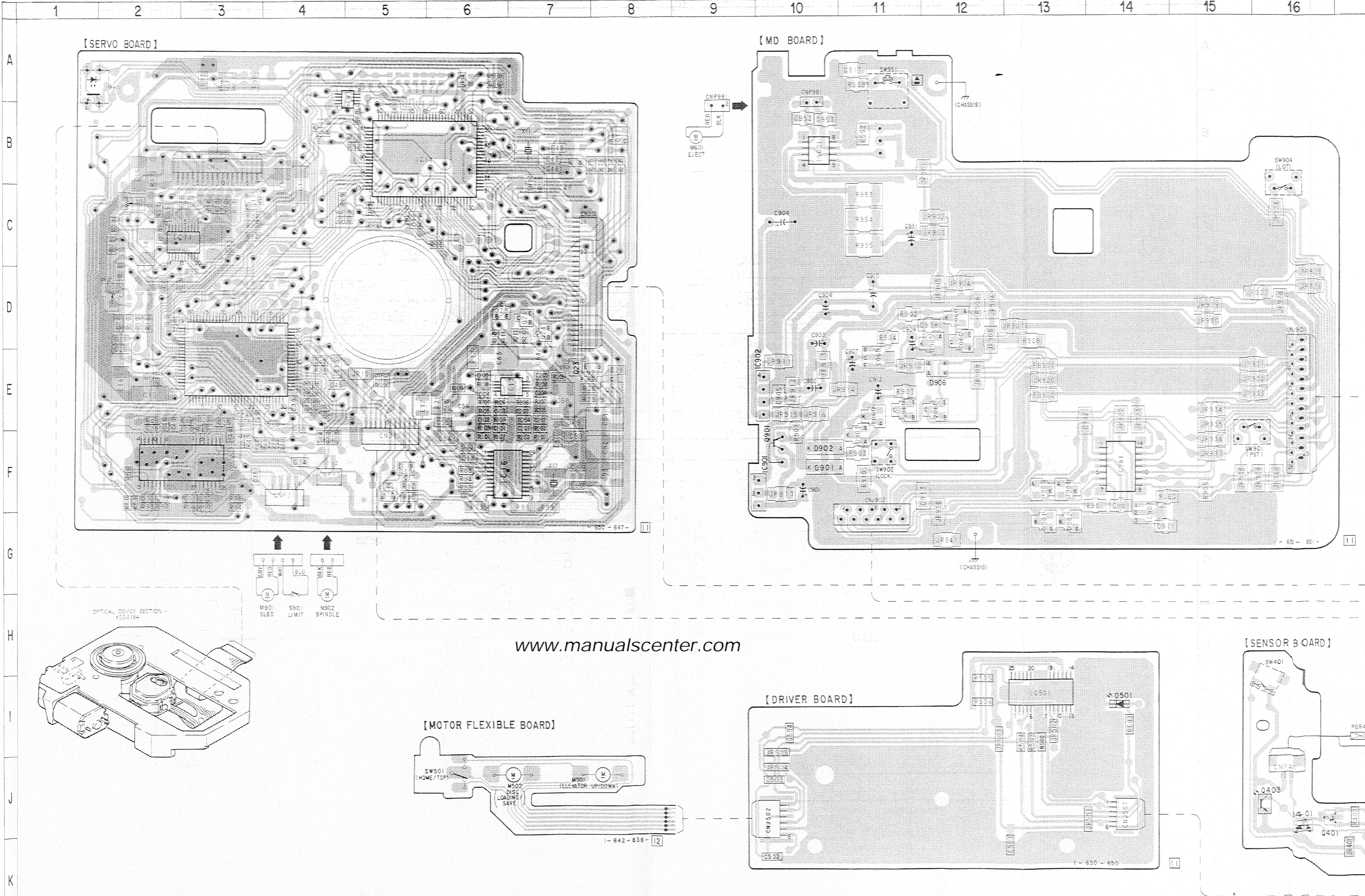
Note on Schematic Diagram:

- All capacitors are in μF unless otherwise noted. pF : μpF
- 50 WV or less are not indicated except for electrolytics and tantalums.
- All resistors are in Ω and $\frac{1}{4}$ W or less unless otherwise specified.
- : panel designation.
- : S - Line.
- : adjustment for repair.
- Power voltage is fed from the CD changer controller.
- Voltages and waveforms are ac with respect to ground under no-signal (detuned) conditions.
- Voltages are taken with a VOM (10 M Ω V).
- Voltage variations may be noted due to normal production tolerances.
- Waveforms are taken with an oscilloscope.
- Voltage variations may be noted due to normal production tolerances.
- Circled numbers refer to waveforms.
- Signal path.
- \Rightarrow : CD

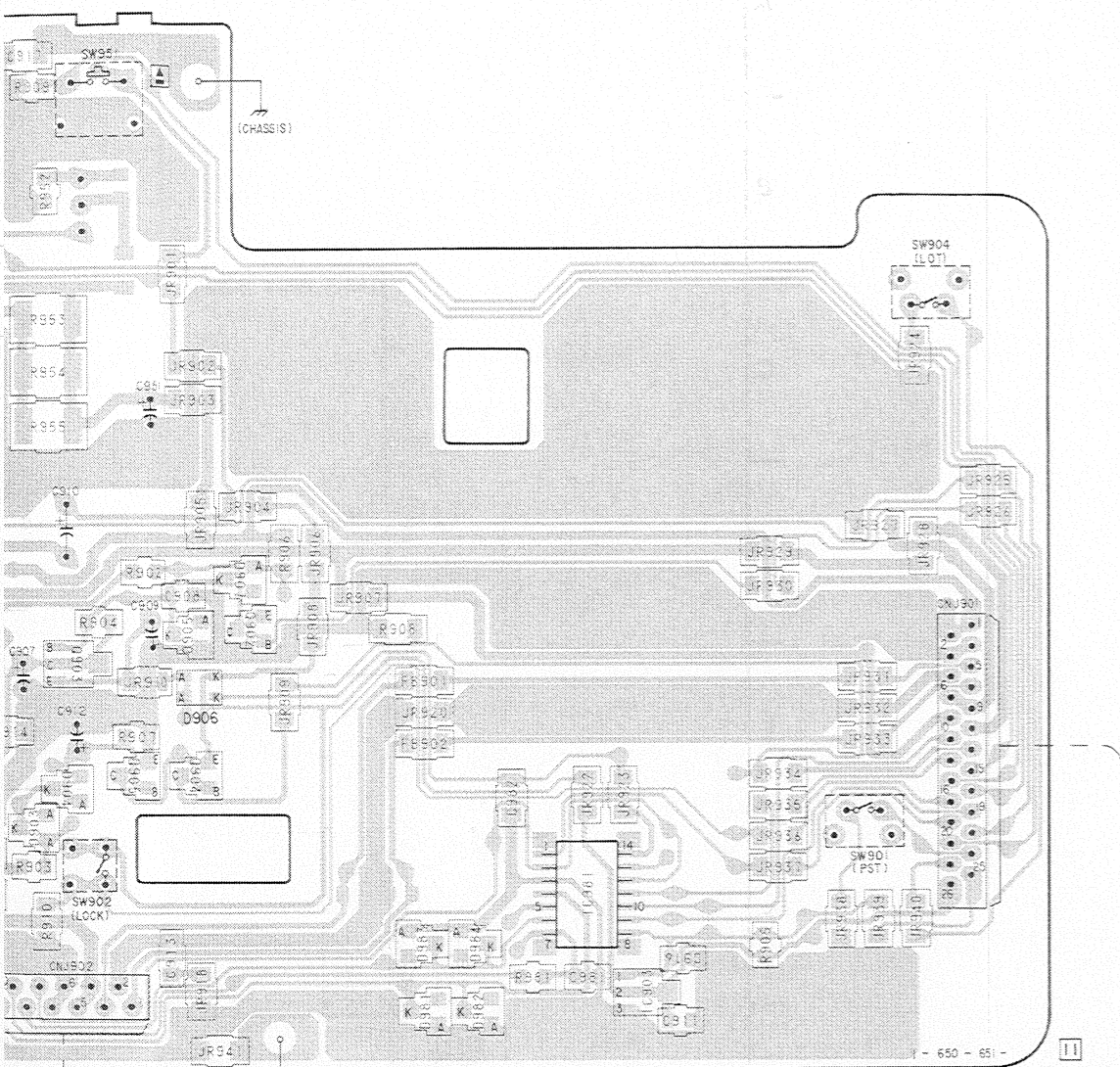
Note on Printed Wiring Board:

- : parts extracted from the component side.
- : Through hole.
- : Pattern of the rear side.
- : Pattern from the side which enables seeing.

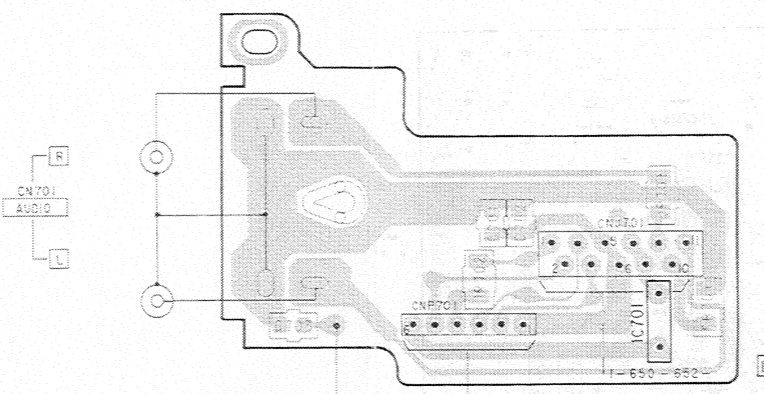
5-4. COMPACT DISC CHANGER SECTION PRINTED WIRING BOARDS



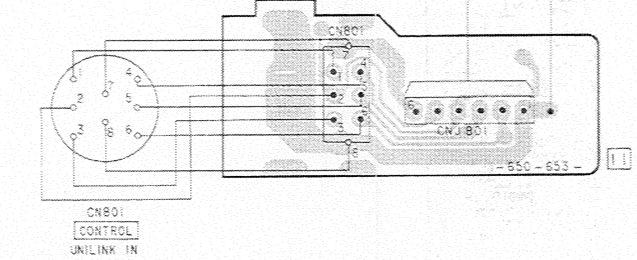
www.manualscenter.com



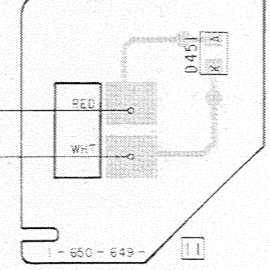
[JACK BOARD]



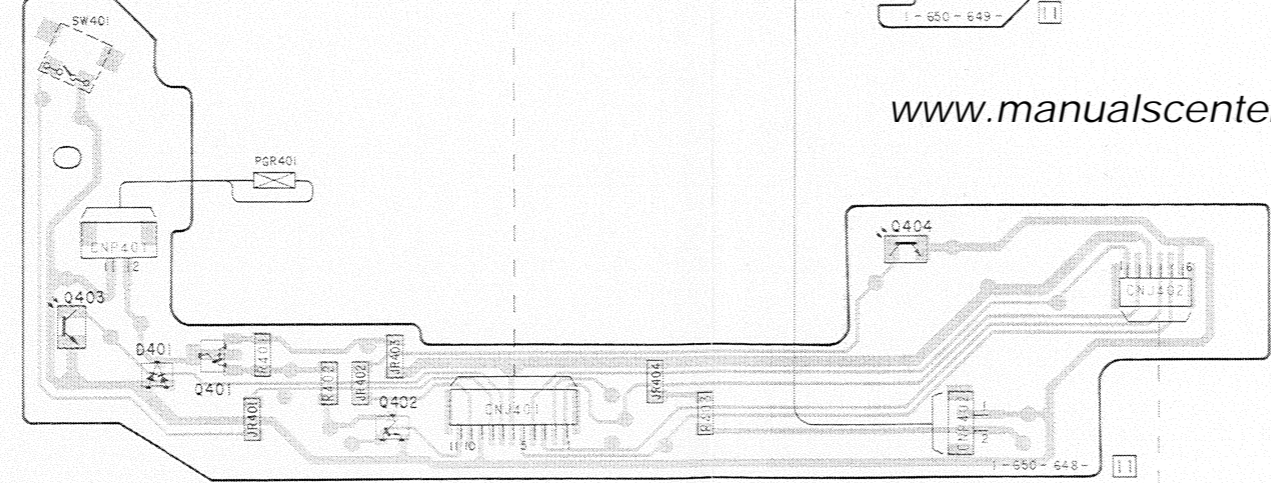
[BUS BOARD]



[DPT BOARD]

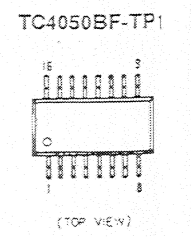
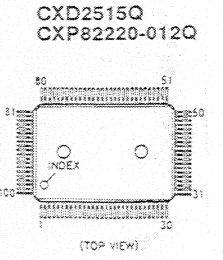
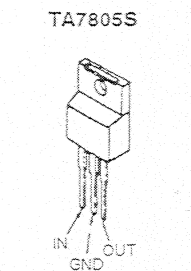
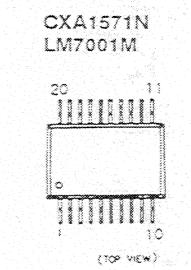
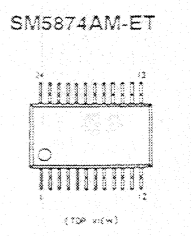
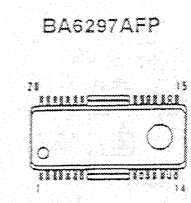
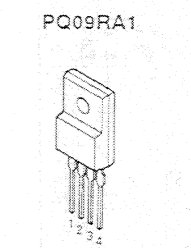
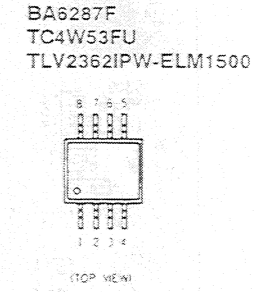
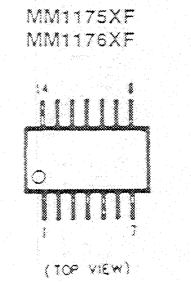
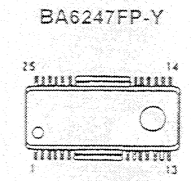
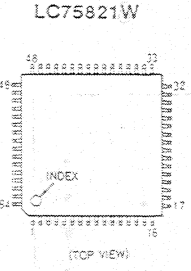
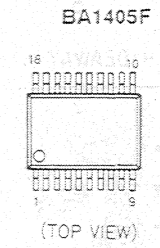


[SENSOR BOARD]



• Semiconductor Location

Ref. No.	Location
D11	B-4
D12	C-5
D401	J-16
D451	G-21
D501	I-14
D901	F-10
D902	F-10
D903	F-11
D904	E-11
D905	D-12
D906	E-12
D907	D-12
D981	G-13
D982	G-13
D983	F-13
D984	F-13
IC11	C-2
IC12	D-3
IC13	F-2
IC14	B-5
IC15	A-4
IC16	F-6
IC17	E-6
IC501	I-13
IC701	C-21
IC901	F-10
IC902	E-10
IC903	F-14
IC951	B-10
IC981	F-14
PH11	A-1
Q11	C-3
Q12	B-8
Q13	A-3
Q14	F-5
Q15	F-5
Q21	E-8
Q22	E-7
Q23	E-7
Q24	D-7
Q25	D-6
Q26	D-7
Q401	J-16
Q402	K-17
Q403	J-16
Q404	J-20
Q901	F-10
Q902	D-12
Q903	E-11
Q904	E-12
Q905	E-11



www.manualscenter.com

• Semiconductor Location

Ref. No.	Location
D11	B-4
D12	C-5
D401	J-16
D451	G-21
D501	I-14
D901	F-10
D902	F-10
D903	F-11
D904	E-11
D905	D-12
D906	E-12
D907	D-12
D981	G-13
D982	G-13
D983	F-13
D984	F-13
IC11	C-2
IC12	D-3
IC13	F-2
IC14	B-5
IC15	A-4
IC16	F-6
IC17	E-6
IC501	I-13
IC701	C-21
IC901	F-10
IC902	E-10
IC903	F-14
IC951	B-10
IC981	F-14
PH11	A-1
Q11	C-3
Q12	B-8
Q13	A-3
Q14	F-5
Q15	F-5
Q21	E-8
Q22	E-7
Q23	E-7
Q24	D-7
Q25	D-6
Q26	D-7
Q401	J-16
Q402	K-17
Q403	J-16
Q404	J-20
Q901	F-10
Q902	D-12
Q903	E-11
Q904	E-12
Q905	E-11

• Semiconductor Lead Layouts

BA1405F

(TOP VIEW)

LC75821W

(TOP VIEW)

μ PD75517-243-3B9

(TOP VIEW)

1SS319 (TE85R)

ANODE CATHODE

BA6247FP-Y

(TOP VIEW)

**MM1175XF
MM1176XF**

(TOP VIEW)

2SB1446

cathode anode

1SV110

cathode anode

**BA6287F
TC4W53FU
TLV2362IPW-ELM1500**

(TOP VIEW)

**MM1175XF
MM1176XF**

(TOP VIEW)

2SD1828

B C E

AN1102W

CATHODE MARK

PQ09RA1

1 2 3 4

DSA3A4

cathode anode

BA6297AFP

(TOP VIEW)

SM5874AM-ET

(TOP VIEW)

EC10DS2

cathode anode

**CXA1571N
LM7001M**

(TOP VIEW)

TA7805S

IN OUT GND

MA8051-H

Anode Cathode

**CXD2515Q
CXP82220-012Q**

(TOP VIEW)

TC4050BF-TP1

(TOP VIEW)

SG223

collector mark

www.manualscenter.com

• Waveforms

① IC11 ① 0.5V/DIV
1 μsec/DIV

② IC11 ② 0.2V/DIV
200 μsec/DIV

③ IC11 ③ 0.2V/DIV
200 μsec/DIV

④ IC12 ④

4.8Vp-p
113 μsec

⑤ IC12 ⑤

4.7Vp-p
472nsec

⑥ IC12 ⑥

4.80Vp-p
60nsec

⑦ IC14 ⑦

5.1Vp-p
14msec

⑧ IC14 ⑧

4.3Vp-p
8MHz

⑨ IC16 ⑨, ⑩

5.6Vp-p
16.9344MHz

⑩ IC12 ⑩

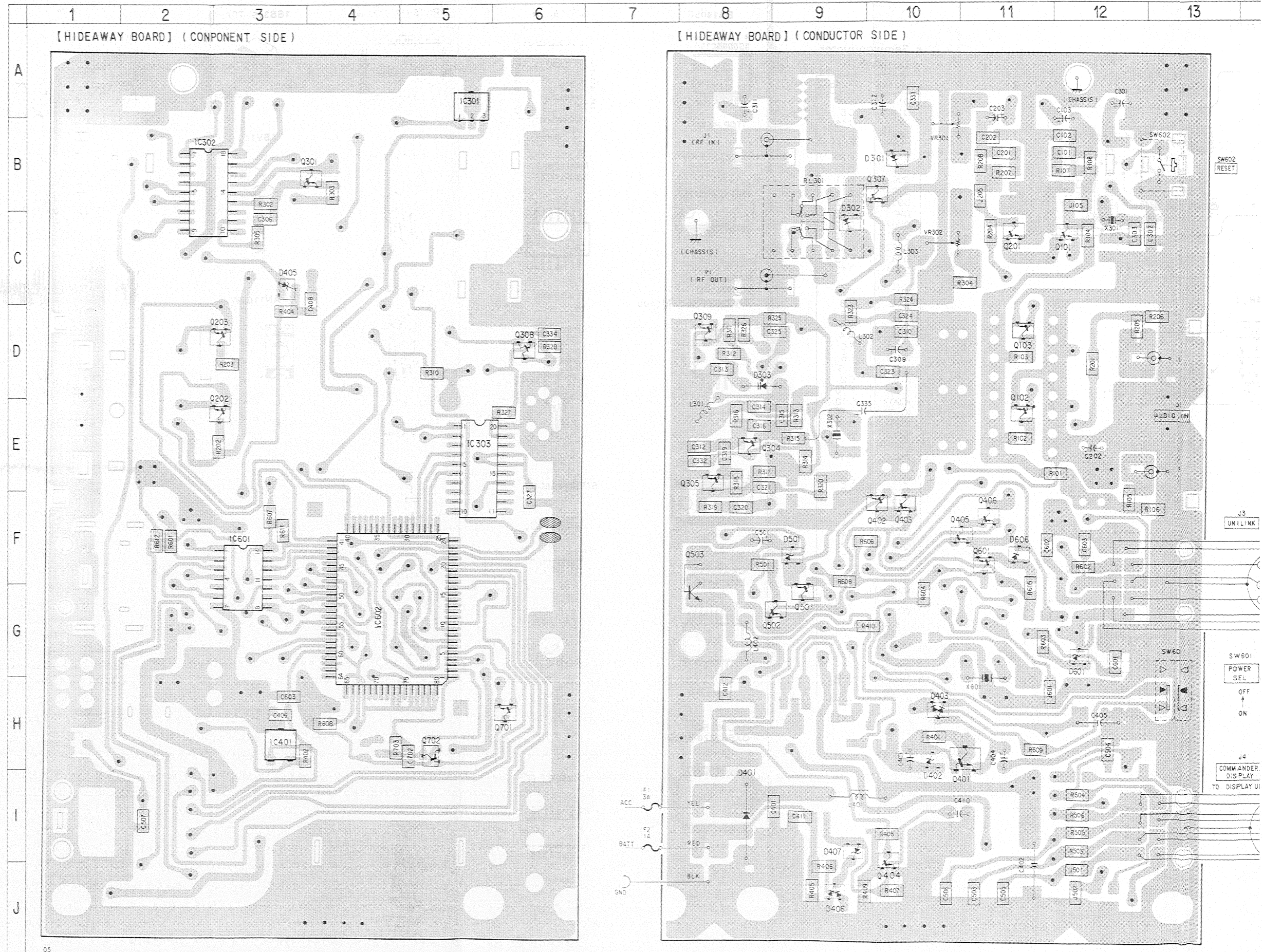
5.1Vp-p
13.5msec

5-5. HIDEAWAY SECTION PRINTED WIRING BOARD AND SCHEMATIC DIAGRAM

• See page 24 for Semiconductor Lead Layouts, page 31 for notes and page 36 for IC Block Diagrams.

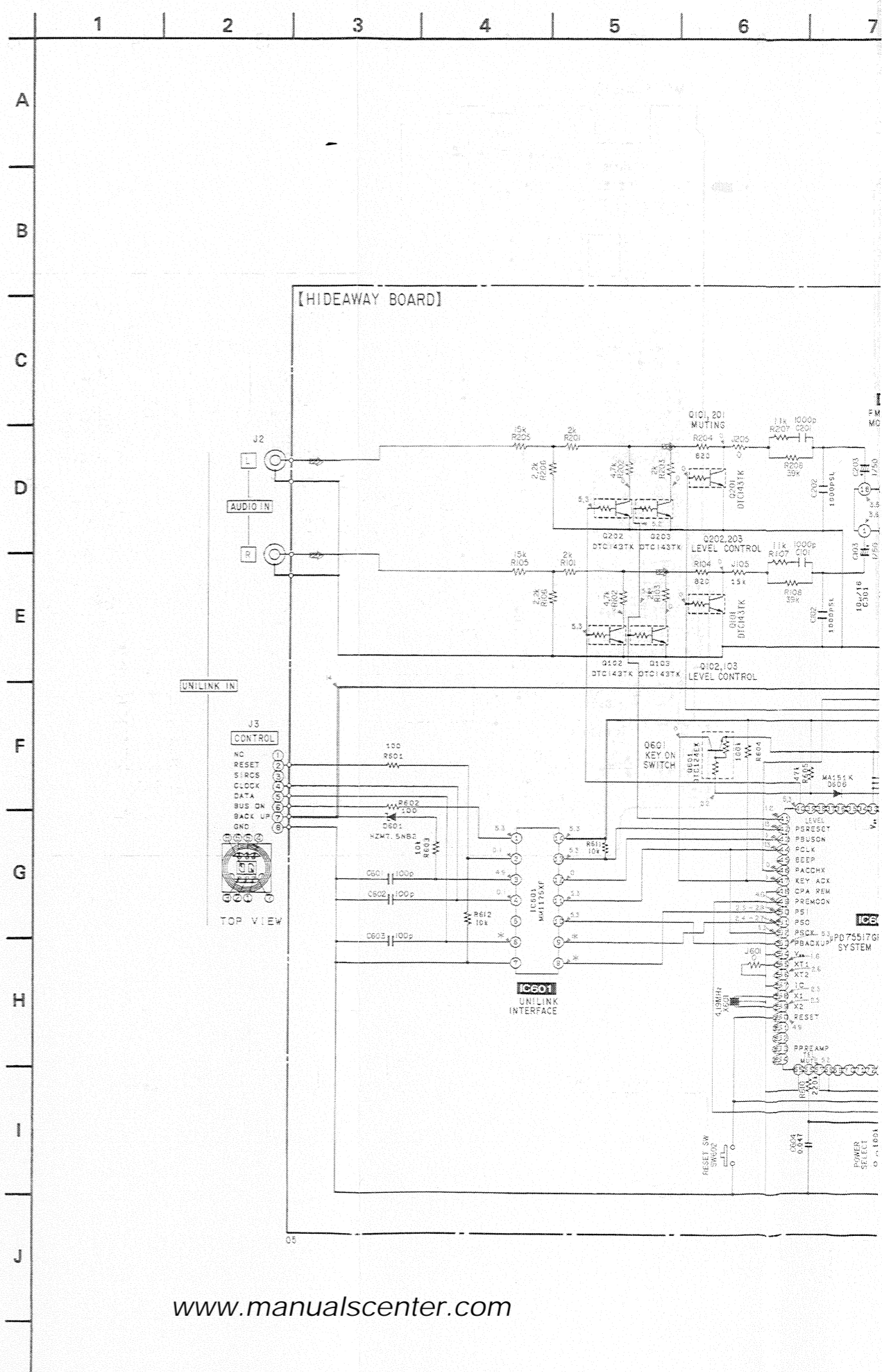
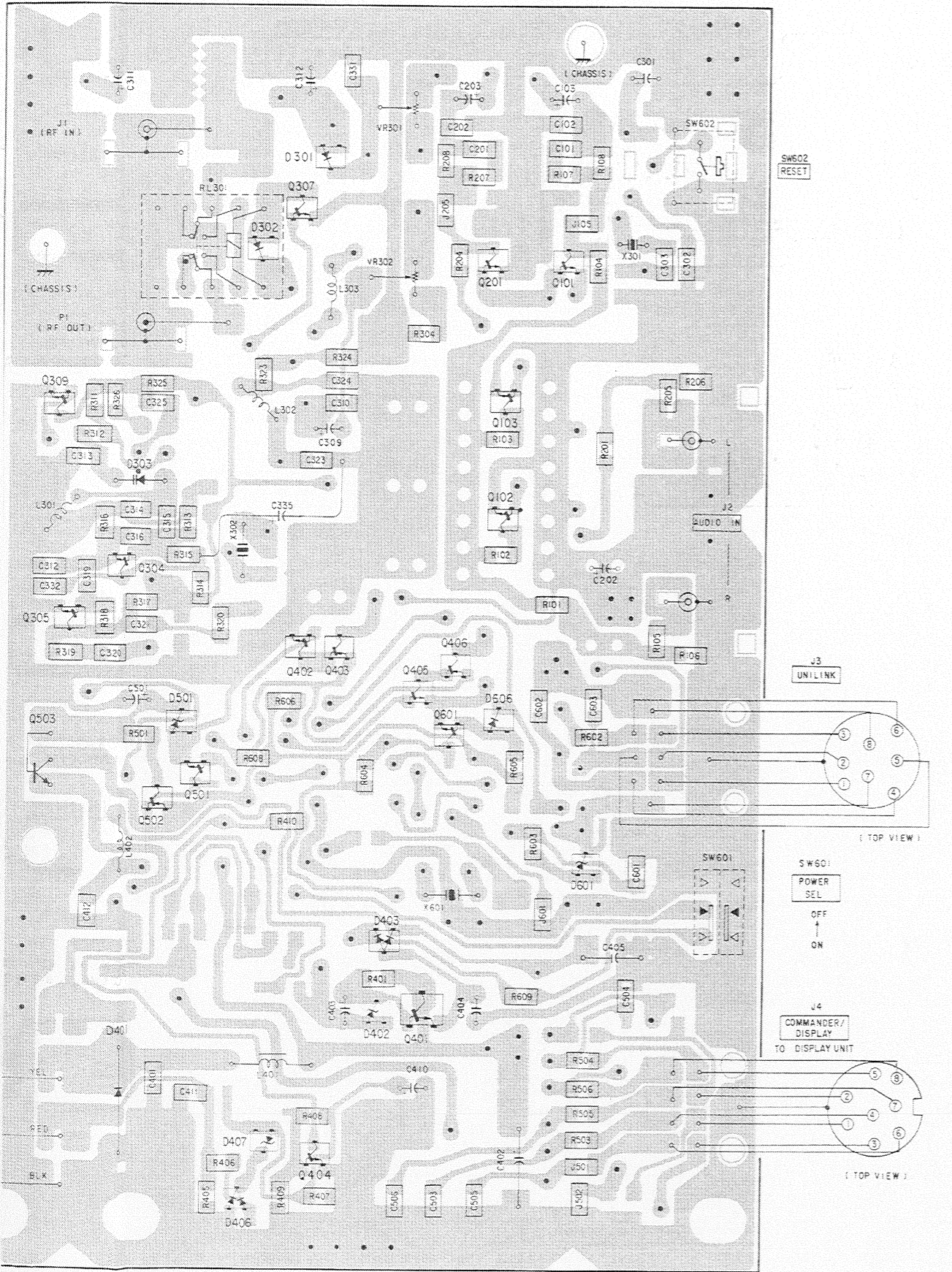
• Semiconductor Location

Ref. No.	Location
D301	B-10
D302	C-9
D303	D-8
D401	I-8
D402	H-10
D403	H-10
D405	C-3
D406	J-9
D407	I-9
D501	F-9
D601	G-12
D606	F-11
IC301	A-5
IC302	B-2
IC303	E-5
IC401	H-3
IC501	F-3
IC601	G-4
Q101	C-12
Q102	E-11
Q103	D-11
Q201	C-11
Q202	F-3
Q203	D-3
Q301	B-4
Q304	E-8
Q305	E-8
Q307	B-10
Q308	D-6
Q309	D-8
Q401	H-11
Q402	F-10
Q403	F-10
Q404	J-10
Q405	F-10
Q406	F-11
Q501	G-9
Q502	G-9
Q503	F-8
Q601	F-11
Q701	H-6
Q702	H-5

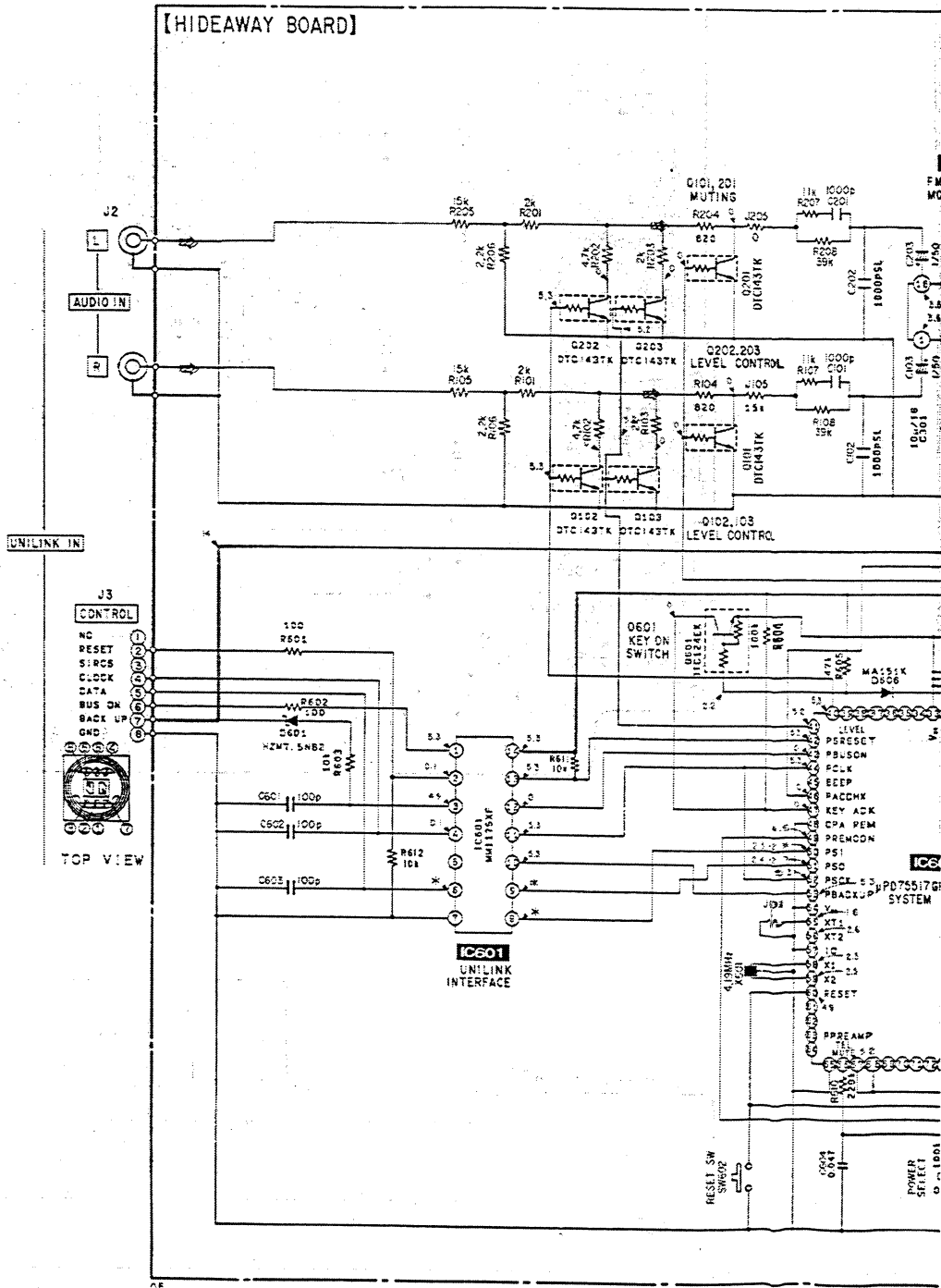


8 9 10 11 12 13 14

[HIDEAWAY BOARD] (CONDUCTOR SIDE)

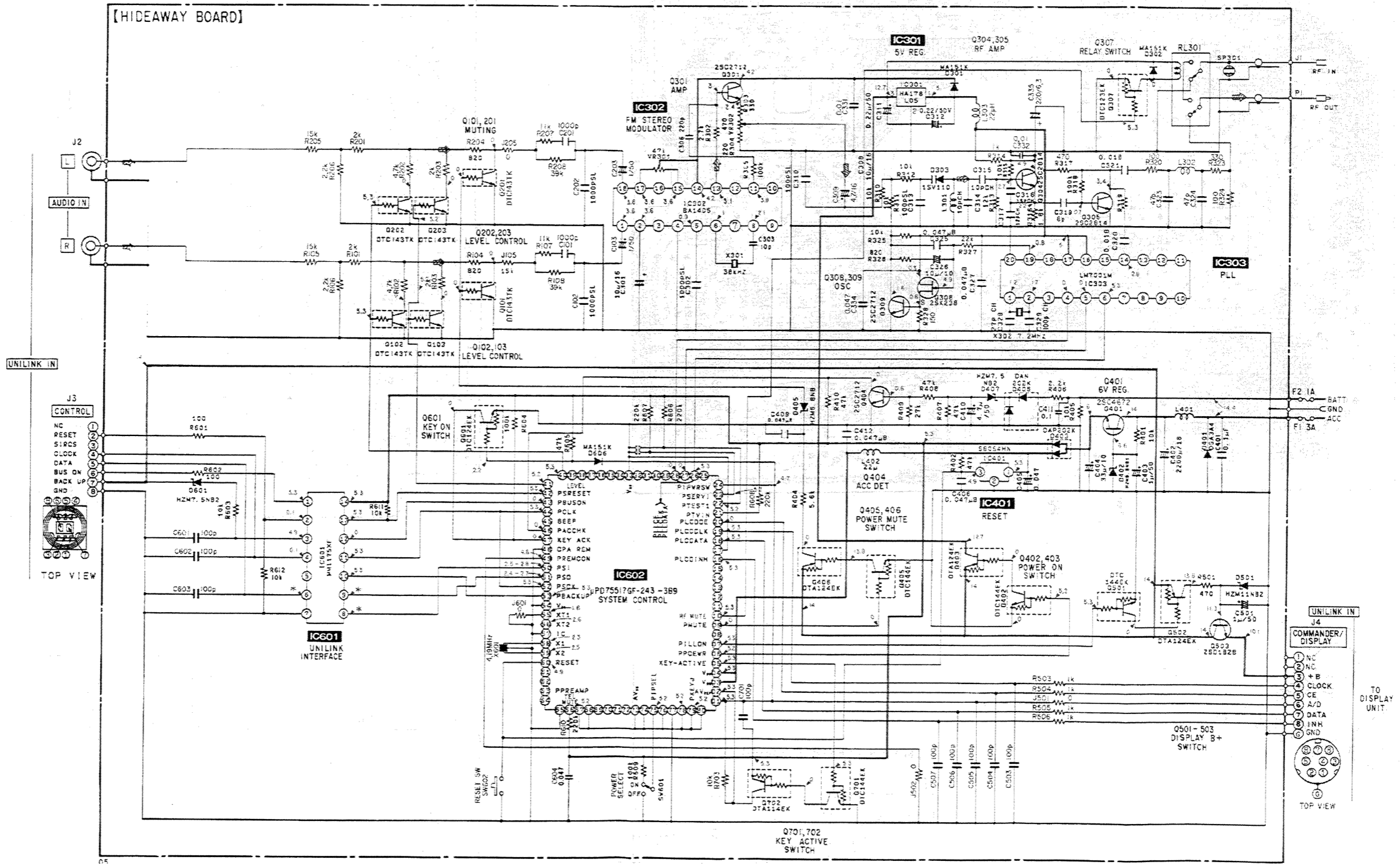


A
B
C
D
E
F
G
H
I
J



A
B
C
D
E
F
G
H
I
J

www.manualscenter.com



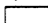

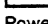

5-6. REMOTE COMMANDER SECTION
PRINTED WIRING BOARD AND SCHEMATIC DIAGRAM

• Semiconductor Location

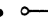

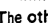
Ref. No.	Location
D1	P-3
IC1	K-2
IC2	O-2

• HIDEAWAY SECTION

Note on Schematic Diagram:

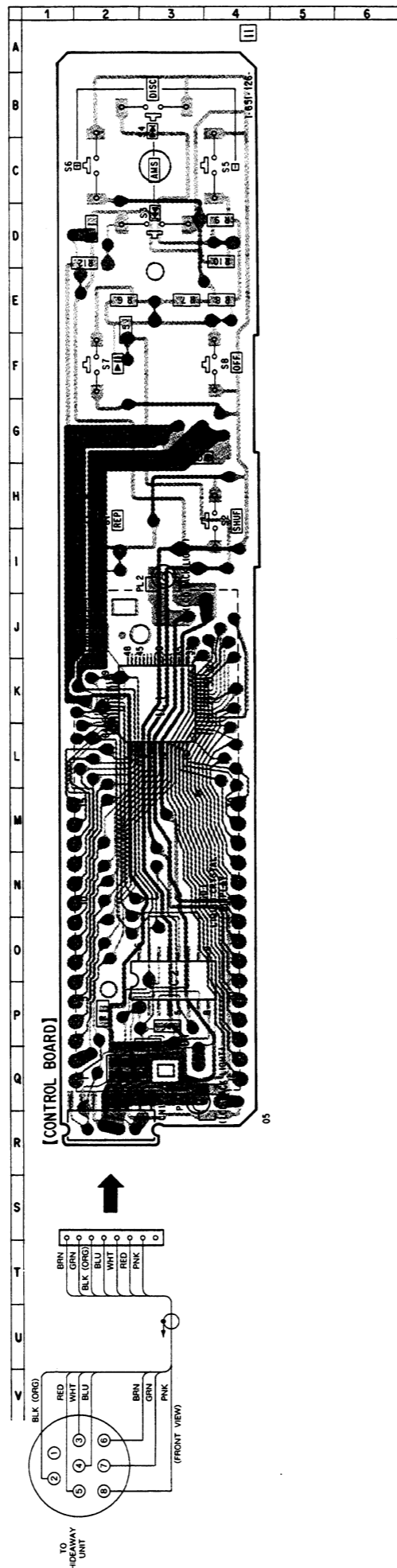
- All capacitors are in μF unless otherwise noted. pF: μpF 50 WV or less are not indicated except for electrolytics and tantalums.
- All resistors are in Ω and $\frac{1}{4}$ W or less unless otherwise specified.
-  : panel designation.
-  : B + Line.
-  : adjustment for repair.
- Power voltage is dc 14 V and fed with regulated dc power supply from BATT and ACC terminals.
- Voltages and waveforms are dc with respect to ground under no-signal conditions.
- Voltages are taken with a VOM (10 M Ω /V). Voltage variations may be noted due to normal production tolerances.
- Signal path.
-  : CD

Note on Printed Wiring Board:

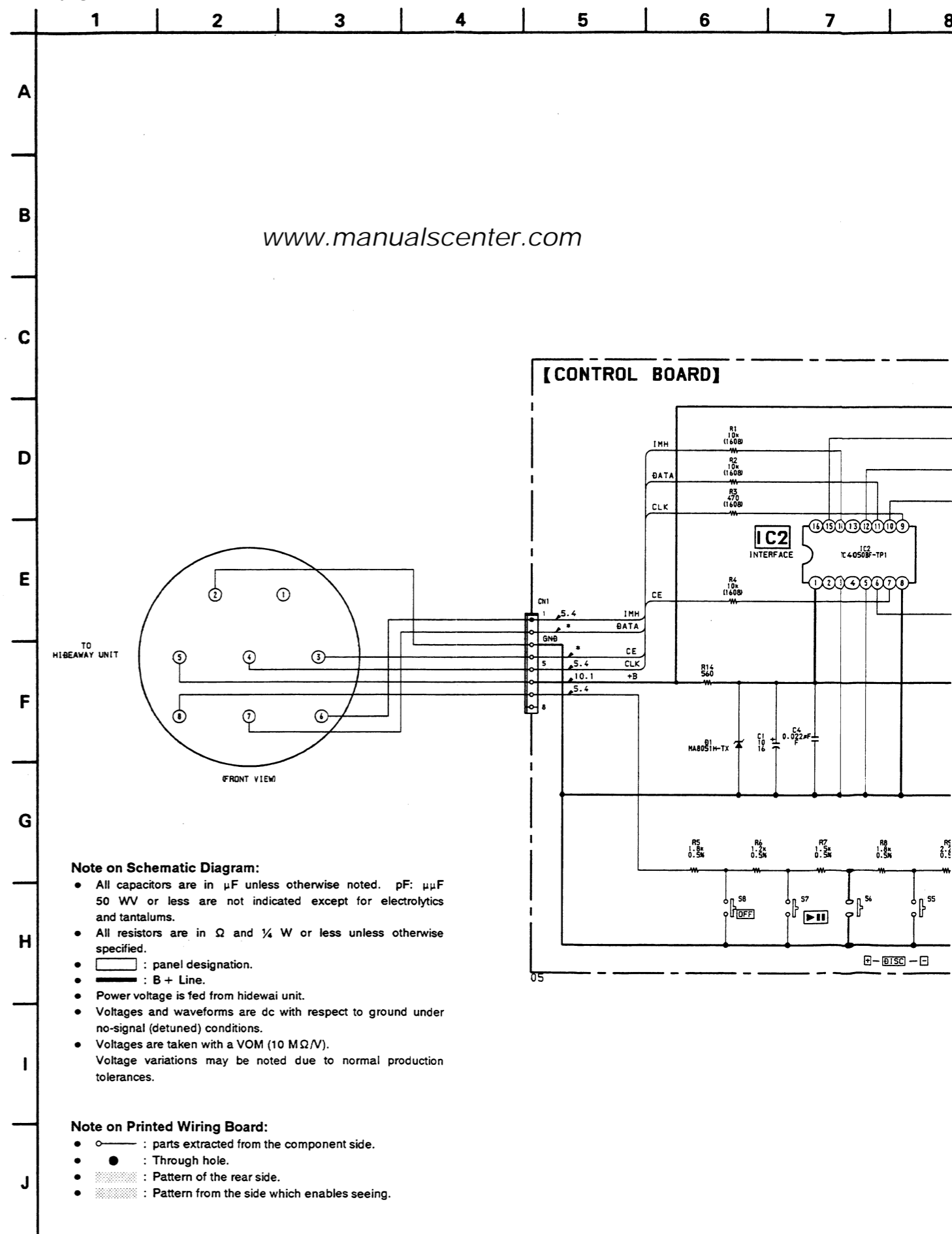
-  : parts extracted from the component side.
 -  : Through hole.
 -  : Pattern from the side which enables seeing.
- (The other layers' patterns are not indicated.)

Caution:



Pattern face side: Parts on the pattern face side seen from the pattern face are indicated.
(Conductor Side)
Parts face side: Parts on the parts face side seen from the parts face are indicated.
(Component Side)







• See page 24 for Semiconductor Lead Layouts.



Note on Schematic Diagram:

- All capacitors are in μF unless otherwise noted. pF: μpF 50 WV or less are not indicated except for electrolytics and tantalums.
- All resistors are in Ω and $\frac{1}{4}$ W or less unless otherwise specified.
-  : panel designation.
-  : B + Line.
- Power voltage is fed from hideway unit.
- Voltages and waveforms are dc with respect to ground under no-signal (detuned) conditions.
- Voltages are taken with a VOM (10 M Ω /V). Voltage variations may be noted due to normal production tolerances.

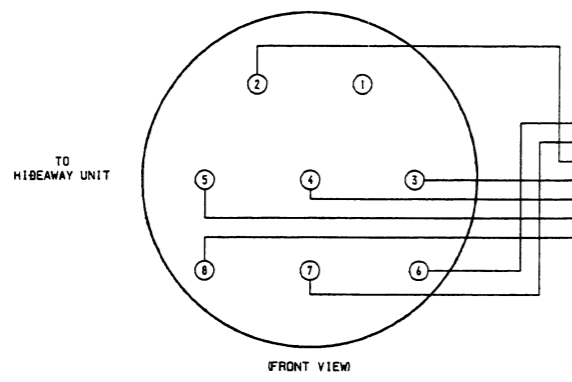
Note on Printed Wiring Board:

-  : parts extracted from the component side.
-  : Through hole.
-  : Pattern of the rear side.
-  : Pattern from the side which enables seeing.

• See page 24 for Semiconductor Lead Layouts.



A
B
C
D
E
F
G
H
I
J



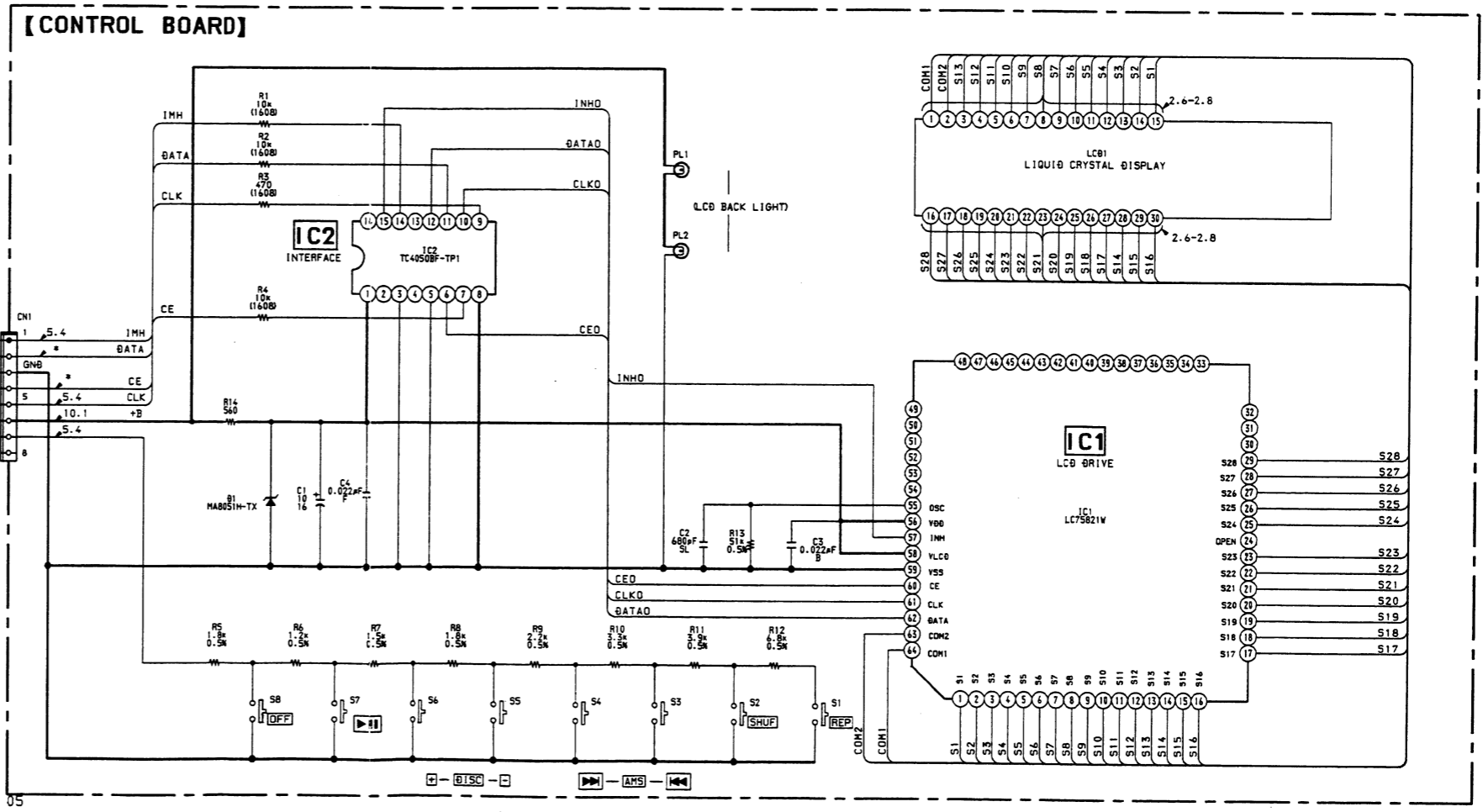
TO
HIBEWAY UNIT

Note on Schematic Diagram:

- All capacitors are in μF unless otherwise noted. pF : μpF
- 50 WV or less are not indicated except for electrolytics and tantalums.
- All resistors are in Ω and $\frac{1}{4}$ W or less unless otherwise specified.
- : panel designation.
- : B + Line.
- Power voltage is fed from hidewai unit.
- Voltages and waveforms are dc with respect to ground under no-signal (detuned) conditions.
- Voltages are taken with a VOM (10 M Ω/V).
- Voltage variations may be noted due to normal production tolerances.

Note on Printed Wiring Board:

- : parts extracted from the component side.
- : Through hole.
- : Pattern of the rear side.
- : Pattern from the side which enables seeing.

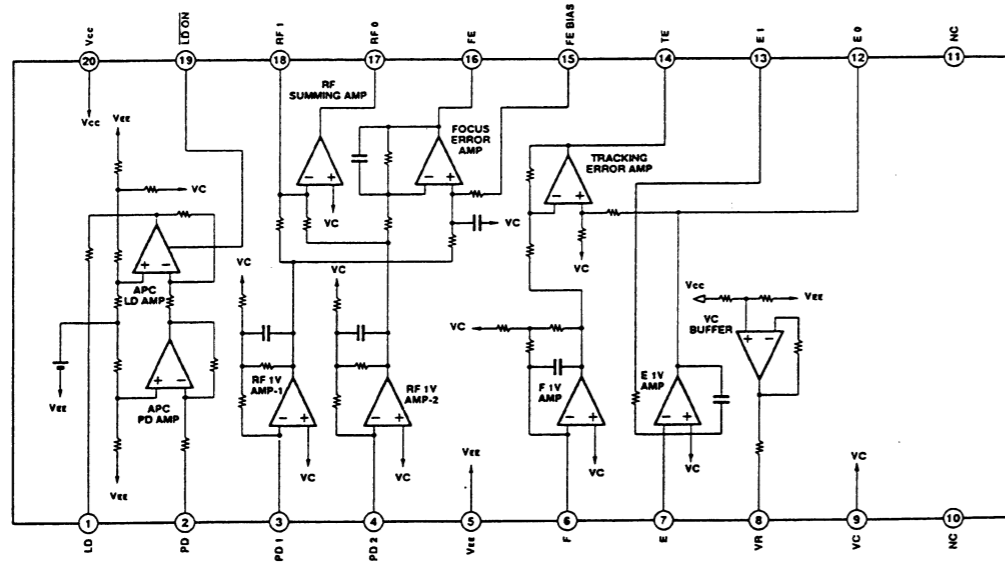


www.manualscenter.com

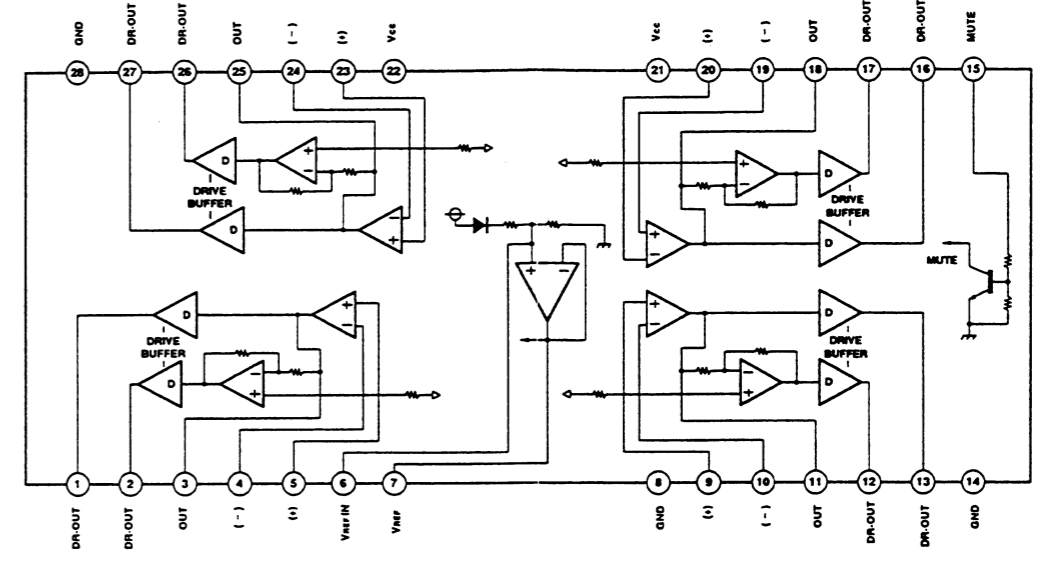
• IC Block Diagrams

[COMPACT DISC CHANGER SECTION]

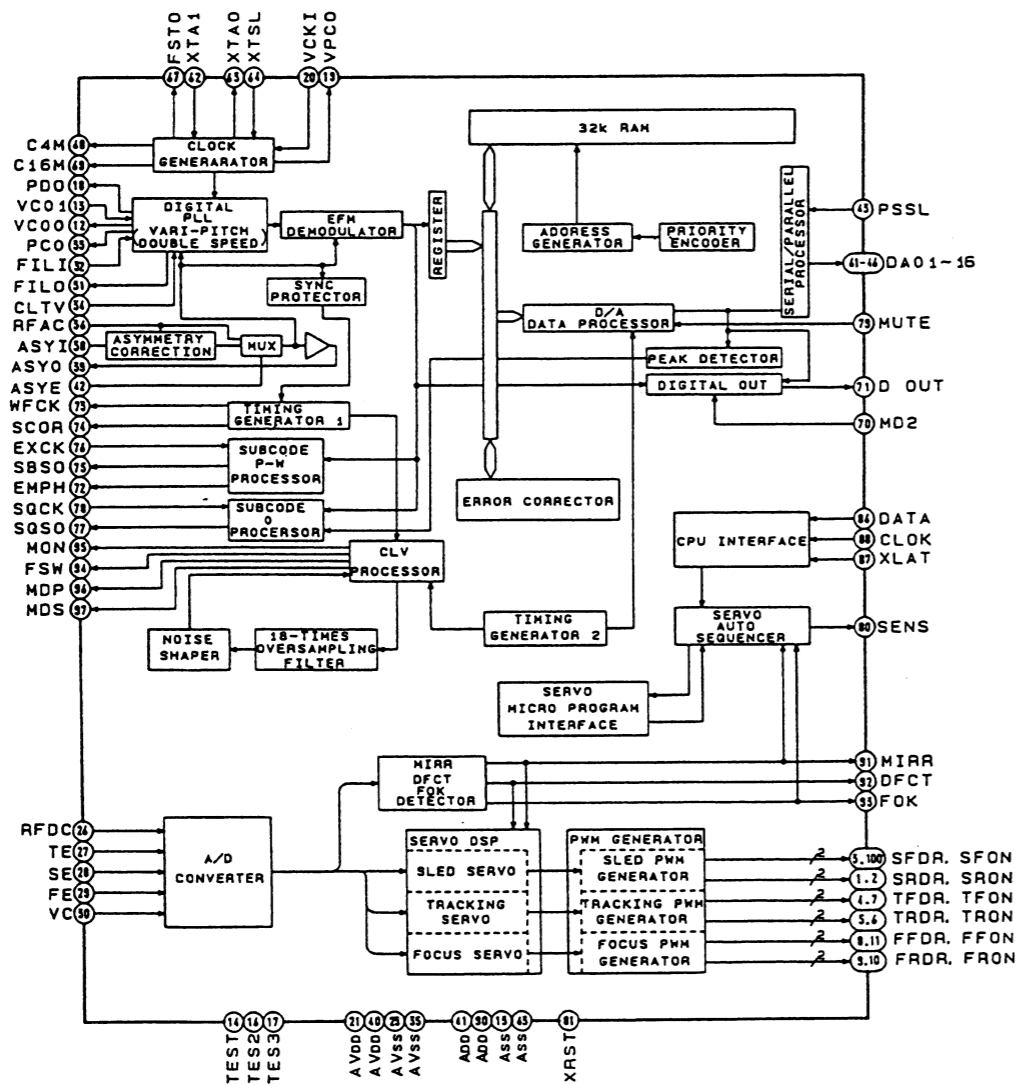
IC11 CXA1571N



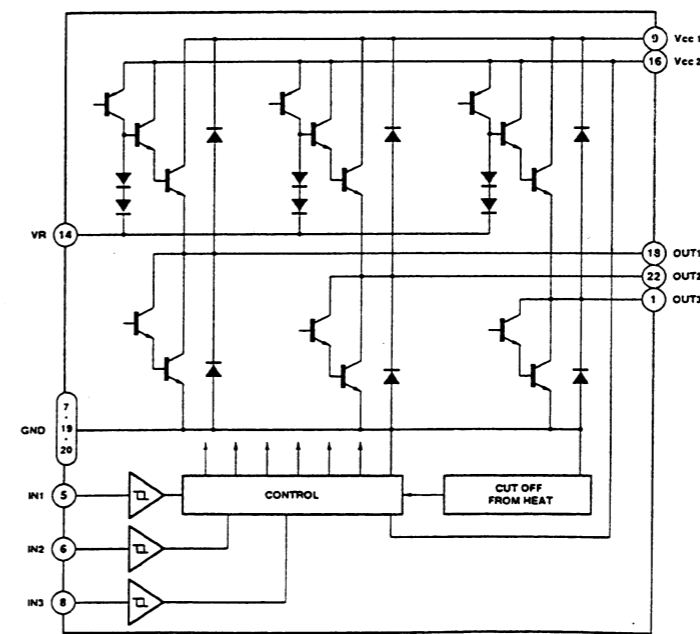
IC13 BA6297AFP



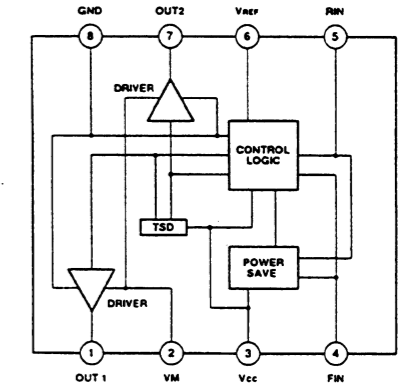
IC12 CXD2515Q



IC501 BA6247FP-Y

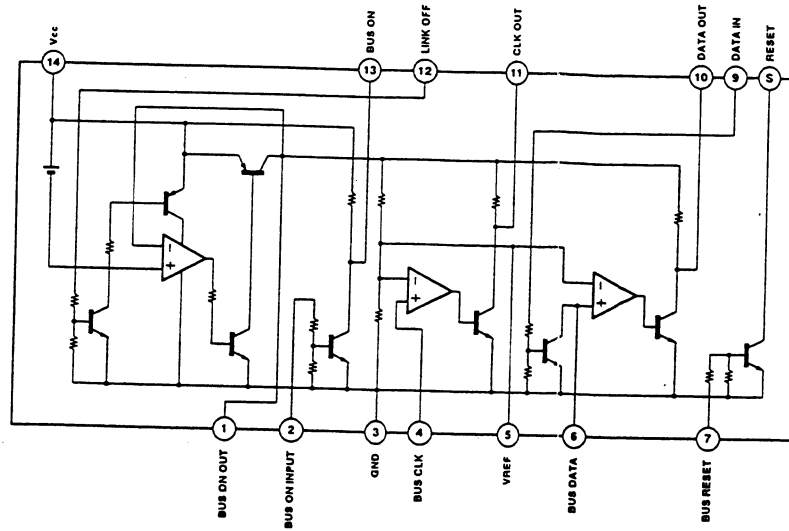


IC951 BA6287F



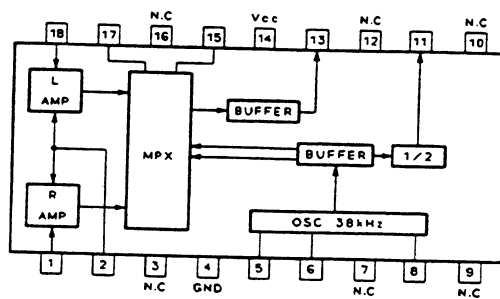
www.manualscenter.com

IC981 MM1176XFF

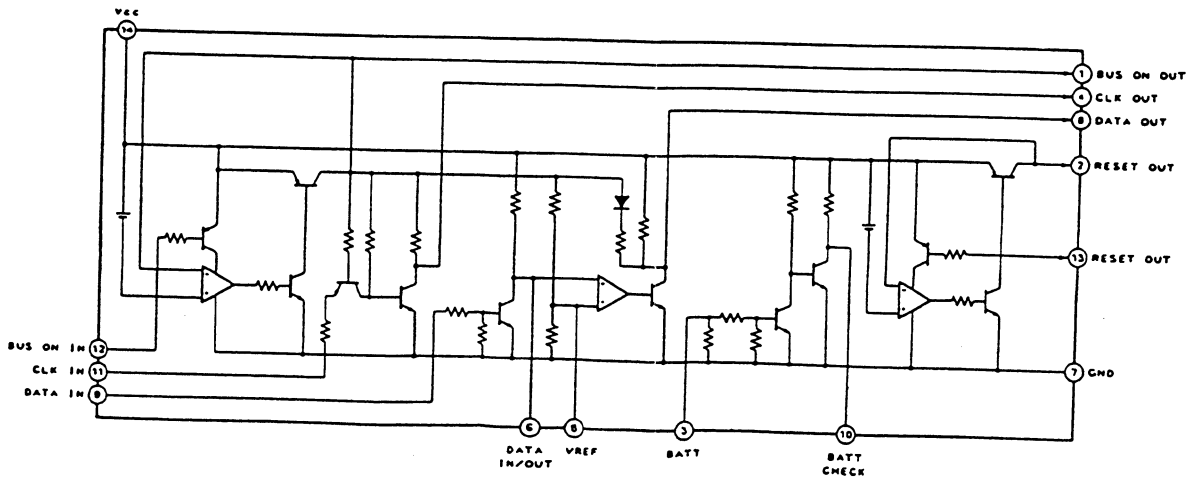


[HIDEAWAY SECTION]

IC302 BA1405F



IC601 MM1175XF



5-7. IC PIN FUNCTION DESCRIPTION

SERVO BOARD IC14 CXP82220-012Q

Pin No.	Pin Name	I/O	Description
1	WUP	I	External event input terminal of timer/counter.
2	LOCK	I	"H" when the magazine is locked.
3	EHS/SCORE	I	This terminal detects the height of SCOR/elevator of DSP.
4	EEINIT	I	Input terminal of remote commander reception circuit.
5	D. OUT	I	Not used for this unit.
6	EECLK	O	Not used
7	REQ	O	Monomorphic wave output terminal of 16 bit timer/counter. CTL duty detection output. Dividing output terminal of 32KHz oscillation.
8	EEDATA	I	Not used
9	NC	—	Chip select input terminal of serial interface. Not used for this unit.
10	SCK	I	Input terminal of serial clock.
11	SI	I	Input terminal of serial data.
12	SO	O	Output terminal of serial data.
13	SQCLK	O	Output terminal to clock. SQ to DSP.
14	SUBQ	I	Input terminal of SUQB.
15	NC	—	Output terminal of serial data. Not used for this unit.
16	EMPH	O	Emphasis control output terminal.
17	APC	O	Laser ON/OFF control terminal. "L" : Laser ON
18	CDON	O	Servo system power ON/OFF, "H" : ON
19	CDRST	O	RESET terminal of servo system. "L" : RESET
20	XEMP	I	Not used
21	XWIH	I	Not used
22	AUTO ON/OFF	I	ON/OFF input for FOCUS BIAS and TRACKING OFFSET automatic adjustment. "L" : OFF "H" : ON
23	EJT KEY	I	EJECT KEY input terminal. "H" : ON
24	WDSL	O	Not used
25	CHM0	O	Not used
26	CHM1	O	Not used
27	XWRE	O	Not used
28	RST	I	PST sensor input terminal.
29	LOT	I	LOT sensor input terminal.
30	XRDE	O	Not used
31	XQOK	O	Not used
32	HOME	I	HOME sensor input terminal.
33	DPT	I	DPT sensor input terminal.
34	DOE	I	DOE sensor input terminal. "L" : when DISC is on the pickup.
35	CES	I	CES sensor input terminal. "L" : when DISC has completed chucking.
36	TEMP L	—	Not used for this unit.
37	TEMP H	I	Detects the high temperature (For servo gain compensation.)
38	RESET	I	System reset terminal of "L" level active.
39	XTLI	I	System clock input terminal.
40	XTLO	O	System clock output terminal.

Pin No.	Pin Name	I/O	Description
41	Vss	–	GND terminal.
42	NC	–	Not used for this unit.
43	NC	–	Not used for this unit.
44	DRAM	I	Not used
45	INIT	I	INIT terminal.
46	AVREF	I	Standard voltage input terminal of A/D converter.
47	AVss	–	GND terminal of A/D converter.
48	MC	O	Motor control terminal (M501, M502)
49	MB	O	Motor control terminal (M501, M502)
50	MA	O	Motor control terminal (M501, M502)
51	PGR	O	Plunger control terminal.
52	M3	O	EJECT motor control terminal (M601)
53	$\overline{M3}$	O	EJECT motor control terminal (M601)
54	DTSL	O	Not used
55	ELVON	O	Elevator U/D, sensor power ON/OFF control terminal.
56	SCLK	O	Serial communication clock output terminal.
57	A-MUTE	O	MUTE of audio output.
58	NC	–	Not used for this unit.
59	SELECT	O	EHS/SCOR SELECT terminal.
60	NC	–	Not used for this unit.
61	NC	O	CLD output terminal.
62	NC	O	CK output terminal.
63	NC	O	CD output terminal.
64	TROFF0	–	Not used for this unit.
65	TROFF1	–	Not used for this unit.
66	TROFF2	–	Not used for this unit.
67	TROFF3	–	Not used for this unit.
68	F-BIAS0	–	Not used for this unit.
69	F-BIAS1	–	Not used for this unit.
70	F-BIAS2	–	Not used for this unit.
71	TR -LPF	–	Not used for this unit.
72	NC	–	Not used for this unit.
73	NC	–	Not used for this unit.
74	NC	–	Not used for this unit.
75	NC	–	Not used for this unit.
76	NC	–	Not used for this unit.
77	NC	–	Not used for this unit.
78	NC	–	Not used for this unit.
79	NC	–	Not used for this unit.
80	NC	–	Not used for this unit.

Pin No.	Pin Name	I/O	description
81	NC	—	Not used for this unit.
82	NC	—	Not used for this unit.
83	NC	—	Not used for this unit.
84	NC	—	Not used for this unit.
85	NC	—	Not used for this unit.
86	NC	—	Not used for this unit.
87	NC	—	Not used for this unit.
88	VFDP	—	Voltage supply terminal for EDP when a built-in resistor has been specified by mask option.
89	VDD		Positive power supply terminal.
90	NC	—	NC terminal. This terminal is connected with VDD in normal operation.
91	VSS	—	GND terminal.
92	SINGLE	I	Not used for this unit.
93	FOK	I	FOK input terminal of DSP.
94	GFS	I	GFS input terminal of DSP.
95	SENSE	I	SENSE input terminal of DSP.
96	CDXLT	O	Control output terminal of servo system.
97	CDDATA	O	Control output terminal of servo system.
98	CDCLK	O	Control output terminal of servo system.
99	BUSON	I	"L" when the controller is communicating.
100	BUCHECK	I	BACK-UP detection. "H" : BACK-UP ON

DRIVER BOARD IC501 (BA6247N) MOTOR DRIVER IC OPERATION

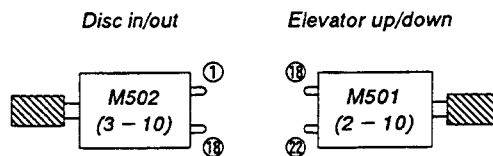
The elevator motor connected between Pin ⑫ and Pin ⑳ of IC501 is as M501, and the disc loading/saving motor connected between Pin ① and Pin ⑮ of IC501 is as M502.

When the IC port logic is Pin ⑳ > Pin ⑫, Pin ① > Pin ⑮, the rotating direction of M501 and M502 becomes normal.

ROTATION TRUTH TABLE

- ① When MB = MC, both M501 and M502 are stop. (MA value is free.)
 ② When MB ≠ MC:

MA Pin ⑧	MB Pin ⑥	MC Pin ⑤	M501	M502	Motor Terminal			Operation
					⑳	①	⑫	
L	L	H	Reverse	Stop	L	OPEN	H	Elevator UP
H	L	H	Normal	Stop	H	OPEN	L	Elevator DOWN
L	H	L	Stop	Reverse	OPEN	L	H	Disc load
H	H	L	Stop	Normal	OPEN	H	L	Disc save



HIDEAWAY BOARD IC602 μ PD75517GF-243-3B9

Pin No.	Port No.	Port Name	(I/O)	Description
1	AN0	KEY	I	AD BUTTON INPUT
2	AVREF		-	REFERENCE POWER SUPPLY
3	VDD		-	POWER SUPPLY
4	VDD		-	POWER SUPPLY
5	P113	KEY ACTIVE	O	POWER ON/OFF FOR AD BUTTON
6	P112	POWER	O	USED FOR REMOTE OUT
7	P111	ILLUMI	O	POWER SUPPLY ON/OFF TO DISPLAY UNIT
8	P110	COLOR	O	COLOR SELECTION PORT AMBER/GREEN (OPEN)
9	P103	MUTE	O	MUTE PORT ON/OFF ON SOURCE SELECTION
10	P102	RF MUTE	O	RF MUTE
11	P101		O	NOT USED. (OPEN)
12	P100		O	NOT USED. (OPEN)
13	P93	REM_ANT	O	OUTPUT PORT FOR REMOTE ANTENNA (OPEN)
14	P92		O	NOT USED. (OPEN)
15	P91		O	NOT USED. (OPEN)
16	P90	LCD INH	O	INH FOR LCD
17			I	NOT USED. (OPEN)
18	SO1	LCD DATA	O	DATA FOR LCD
19	SCKI	LCD CLK	O	CLOCK FOR LCD
20	PPO	LD CE	O	CE FOR LCD
21	P73	REP-KEY	I	THERE IS REP-KEY/NOT INITIAL IN (VDD)
22	P72	PTEST1	I	TEST MODE INITIAL IN NOR/TEST
23	P71	RSERV1	I	SERVICE MODE INITIAL IN NOR/TEST
24	P70	MATCH	I	NOT USED. (GND)
25	P63		O	NOT USED. (OPEN)
26	P62	PLL DATA	O	PLL DATA
27	P61	PLL CLK	O	PLL CLK
28	P60	PLL CE	O	PLL CE
29	P53		O	NOT USED. (OPEN)
30	P52		O	NOT USED. (OPEN)
31	P51		O	NOT USED. (OPEN)
32	P50		O	NOT USED. (OPEN)
33	VSS		-	GND
34	P43		O	NOT USED. (OPEN)
35	P42		O	NOT USED. (OPEN)
36	P41		O	NOT USED. (OPEN)
37	P40		O	NOT USED. (OPEN)
38	P33		O	NOT USED. (OPEN)
39	P32		O	NOT USED. (OPEN)
40	P31	LEVEL	O	OUTPUT LEVEL SELECT

Pin No.	Port No.	Port Name	(I/O)	Description
41	P30	LEVEL	O	OUTPUT LEVEL SELECT
42	P23	RESET OUT	O	UNI LINK RESET PORT
43	P22	$\overline{\text{BUS ON}}$	O	UNI LINK BUS ON
44	P21	SCLK OUT	O	UNI LINK CLK OUT
45	P20	BEEP	O	BEEP (KEY ON BEEP) OUT (OPEN)
46	P13	ACC CHECK	I	ACC CHECK IN
47	P12	KEY ACK	I	AID INPUT BUTTON ON: HIGH
48	P11	CAS_REM	I	CASSETTE REMOTE IN (GND)
49	P10	SIRCS	I	SIRCS INPUT FOR REMOTE COMMANDER RECEIVER
50	SI0	SI	I	UNI LINK DATA IN
51	SO0	SO	O	UNI LINK DATA OUT
52	$\overline{\text{SLK0}}$	SCLK IN	I	UNI LINK CLK IN
53	P00	B.U CK	I	PORT FOR BACK-UP CHECK
54	V _{ss}		-	GND
55	XT1		O	CLOCK OUT (32kHz)
56	XT2		I	CLOCK IN (32kHz)
57	IC		I	(GND)
58	X1		O	CLOCK OUT (4.19 MHz)
59	X2		I	CLOCK IN (4.19 MHz)
60	RESET		I	RESET IN
61	P143		I	NOT USED. (OPEN)
62	P142		I	NOT USED. (OPEN)
63	P141		I	NOT USED. (GND)
64	P140		I	NOT USED. (GND)
65	P133		I	NOT USED. (GND)
66	P132	$\overline{\text{TEL MUTE}}$	I	TELEPHONE MUTE (V _{DD})
67	P131		I	NOT USED. (GND)
68	P130		I	NOT USED. (GND)
69	P123		O	NOT USED. (OPEN)
70	P122		O	NOT USED. (OPEN)
71	P121		O	NOT USED. (OPEN)
72	P120		O	NOT USED. (OPEN)
73	AV _{ss}		-	GND
74	P153		I	NOT USED. (GND)
75	P152	P/S SW	I	POWER SELECT SW THERE IS ACC/NOT
76	P151		I	NOT USED. (GND)
77	P150		I	NOT USED. (GND)
78	AN3		I	NOT USED. (GND)
79	AN2		I	NOT USED. (GND)
80	AN1		I	NOT USED. (GND)

SECTION 6 EXPLODED VIEWS

NOTE:

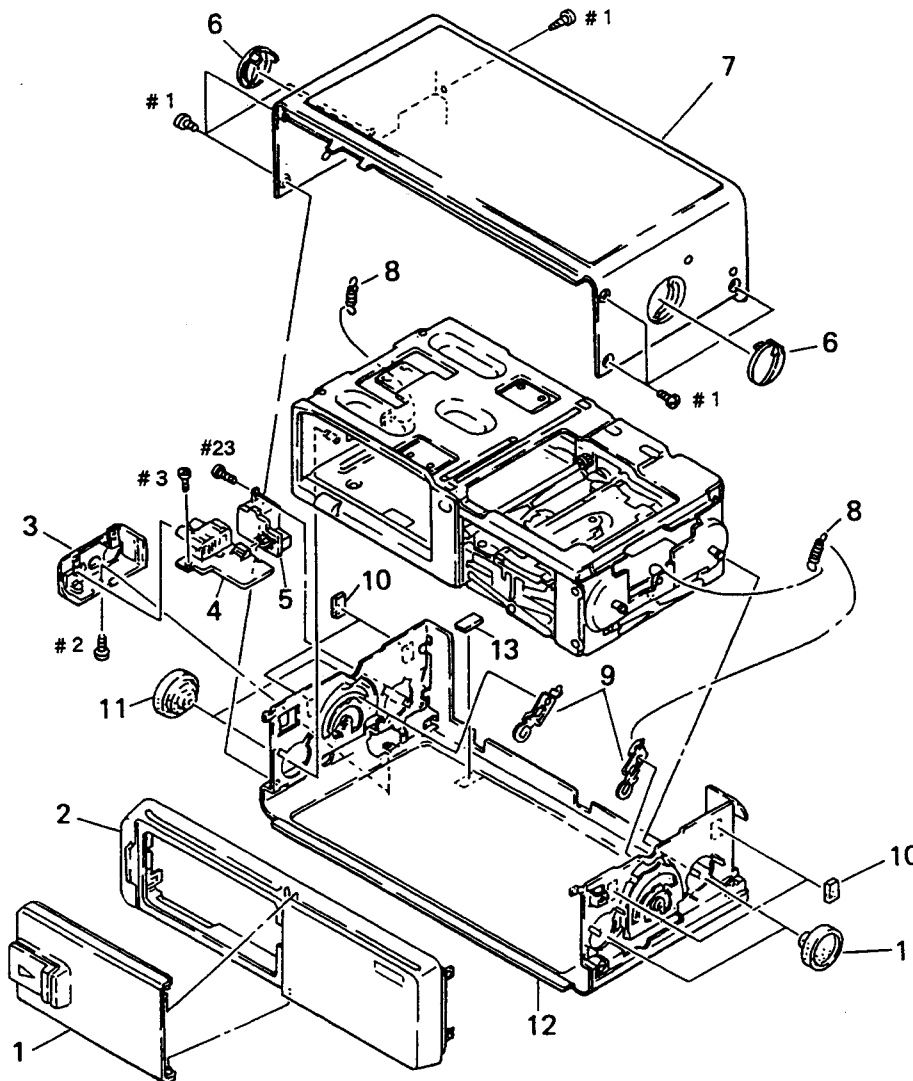
- -XX and -X mean standardized parts, so they may have some difference from the original one.
- Color Indication of Appearance Parts
Example:
KNOB, BALANCE (WHITE) ... (RED)
 ↑ ↑
Parts Color Cabinet's Color

- Items marked "*" are not stocked since they are seldom required for routine service. Some delay should be anticipated when ordering these items.
- The mechanical parts with no reference number in the exploded views are not supplied.
- Hardware (# mark) list is given in the last of this parts list.

The components identified by mark Δ or dotted line with mark Δ are critical for safety. Replace only with part number specified.

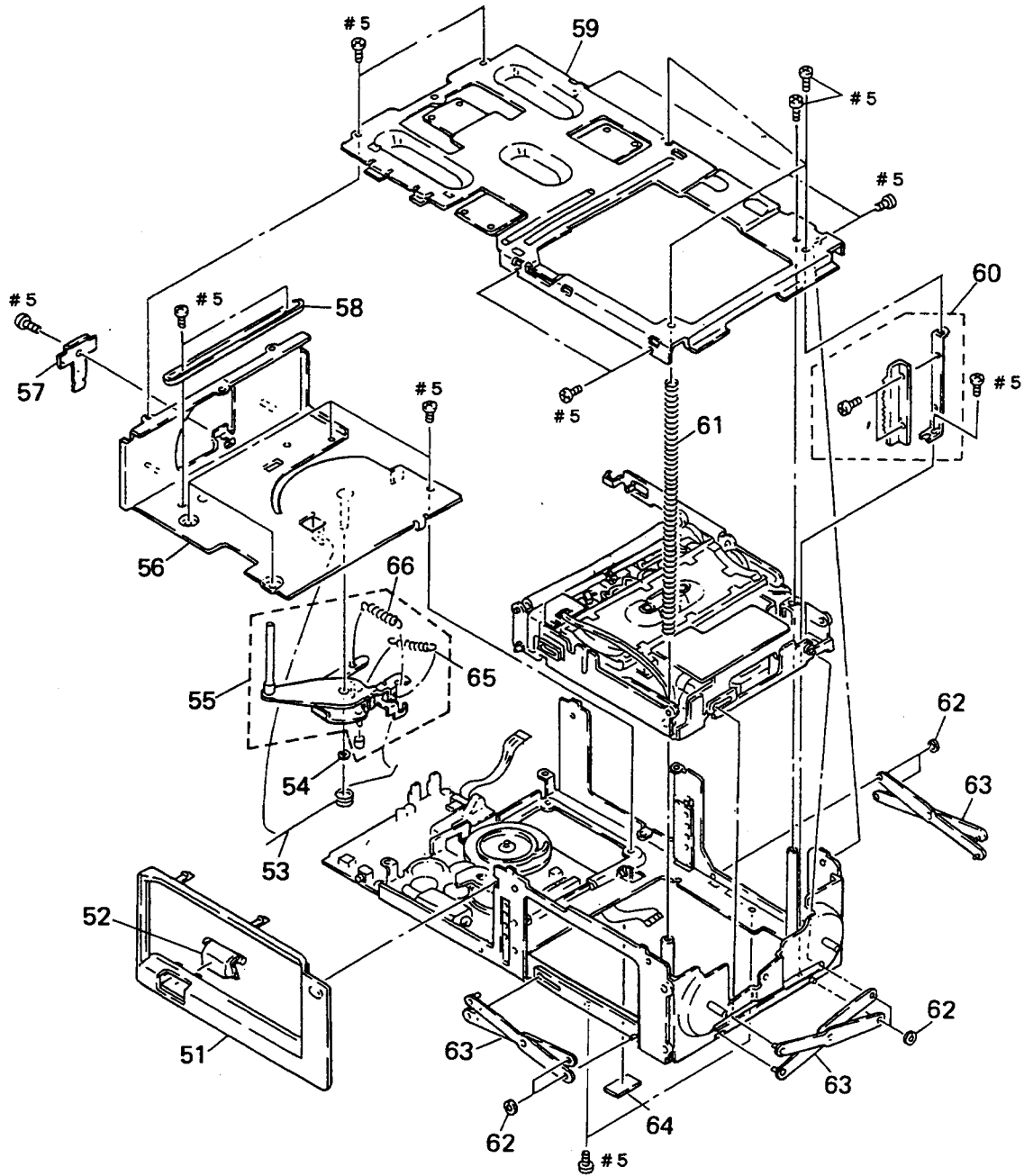
Les composants identifiés par une marque Δ sont critiques pour la sécurité. Ne les remplacer que par une pièce portant le numéro spécifié.

(1) CASE SECTION



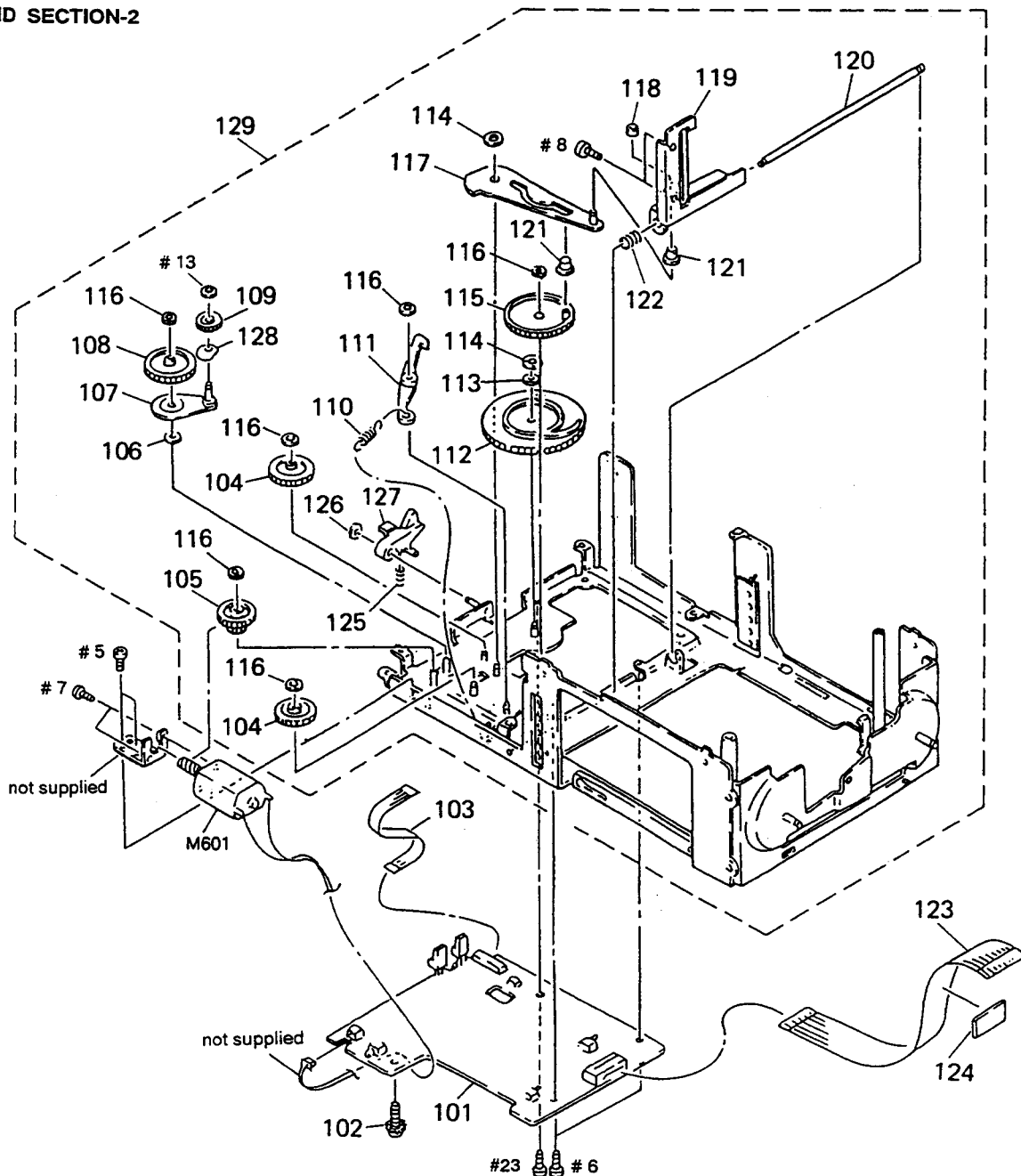
Ref. No.	Part No.	Description	Remark	Ref. No.	Part No.	Description	Remark
1	X-3367-524-1	DOOR ASSY		8	3-368-778-01	SPRING (FL), TENSION	
2	X-3367-523-1	PANEL ASSY, FRONT		9	X-3364-882-1	ARM (SPRING) ASSY	
3	3-375-518-21	COVER (PIN)		10	3-385-834-01	SPACER (CASE)	
* 4	1-650-652-11	JACK BOARD		11	3-906-545-01	DAMPER (K)	
* 5	1-650-653-11	BUS BOARD		* 12	3-375-503-61	CASE (LOWER)	
6	3-375-504-21	LEVER (SPRING)		13	3-350-124-01	CUSHION (EJECT)	
* 7	3-375-502-61	CASE (UPPER)					

(2) MD SECTION-1



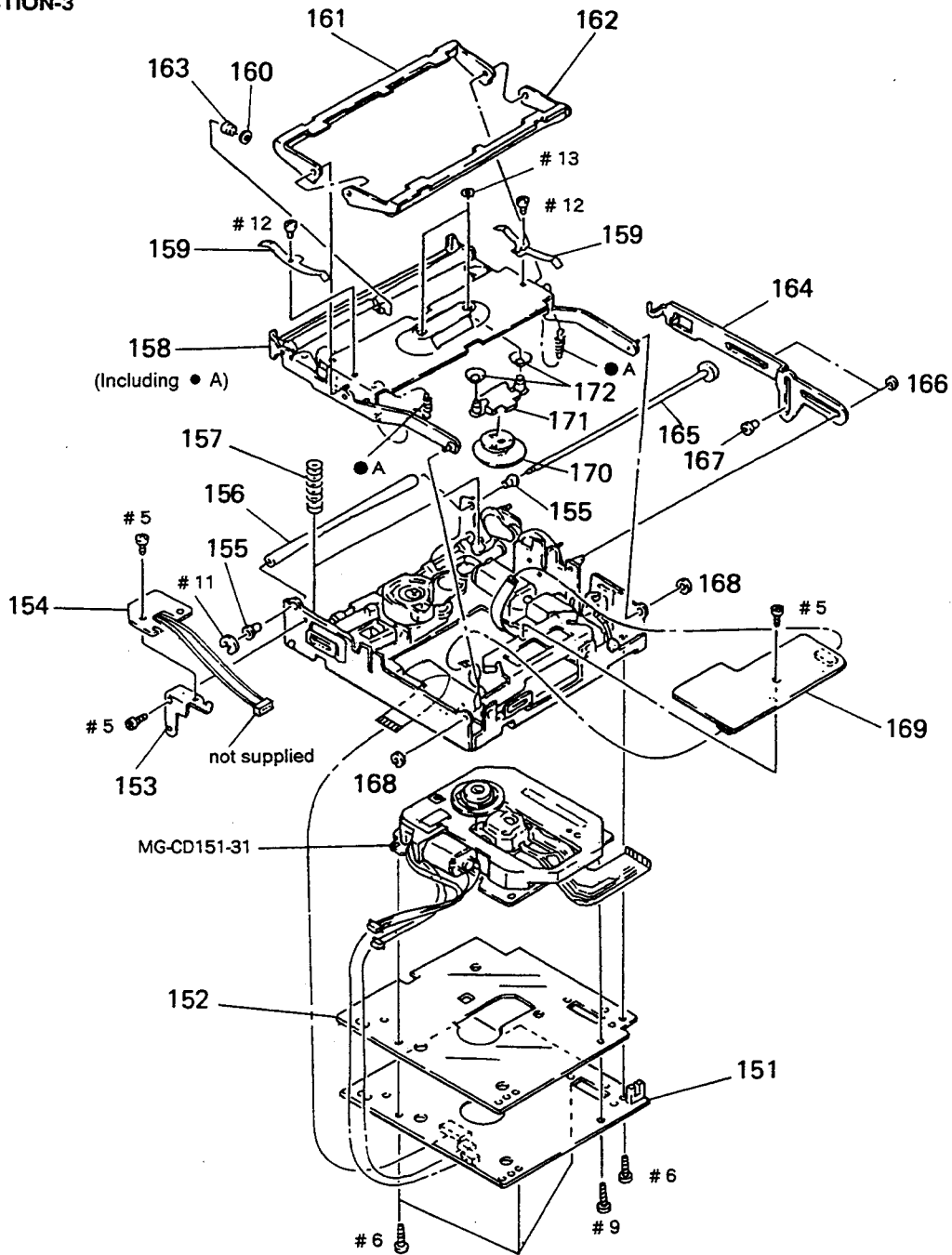
Ref. No.	Part No.	Description	Remark	Ref. No.	Part No.	Description	Remark
* 51	3-388-593-01	ESCUTCHEON (2)		59	X-3362-347-1	COVER (MD) ASSY	
52	3-388-592-01	BUTTON (EJ2)		60	X-3362-488-1	RACK ASSY	
53	3-364-478-01	SPRING (EJ)		61	3-370-364-01	SPRING, COMPRESSION	
54	3-377-720-01	WASHER, POLYETHYLENE		62	3-377-719-01	WASHER, POLYETHYLENE	
* 55	X-3365-861-1	LEVER (EJ) ASSY		* 63	X-3362-348-1	LEVER (X) ASSY	
56	X-3367-400-1	CHASSIS (M22) ASSY		64	9-911-844-XX	CUSHION, BATTERY	
* 57	3-364-410-03	BRACKET (TR)		65	3-568-814-00	SPRING, TENSION	
* 58	3-364-434-01	GUIDE (MZ)		66	3-382-553-02	SPRING (EJ), TENSION	

(3) MD SECTION-2



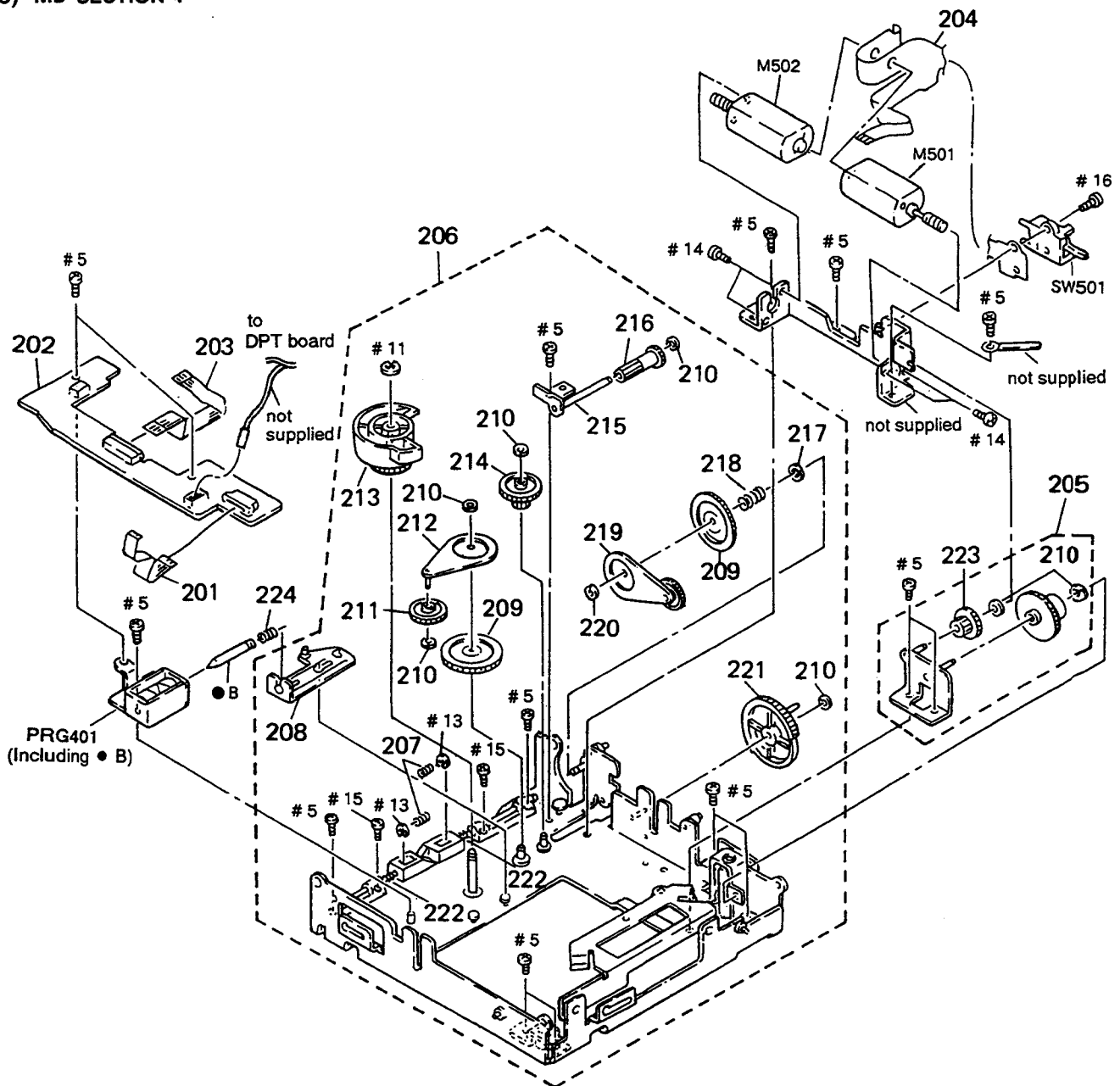
Ref. No.	Part No.	Description	Remark	Ref. No.	Part No.	Description	Remark
* 101	A-3295-864-A	MD BOARD, COMPLETE		116	3-377-719-01	WASHER, POLYETHYLENE	
102	3-376-464-11	SCREW(+PTT 2. 6X6), GROUND POINT		* 117	X-3364-527-1	LEVER (DR) ASSY	
103	1-642-838-11	JACK FLEXIBLE BOARD		118	3-379-490-11	WASHER, POLYETHYLENE	
104	3-364-420-01	GEAR (M)		119	X-3362-324-1	SLIDER (DR) ASSY	
105	3-364-413-01	WHEEL (B), WORM		* 120	3-364-502-01	SHAFT (SDR)	
106	3-701-437-01	WASHER		121	3-364-506-01	ROLLER (SL)	
107	X-3364-526-2	LEVER (KMZ) ASSY		122	3-568-315-01	SPRING, COMPRESSION	
108	3-364-417-01	GEAR (L)		123	1-765-013-11	CABLE, FLEXIBLE FLAT (26 CORE)	
109	3-364-415-01	GEAR (KS)		124	9-911-844-XX	CUSHION, BATTERY	
110	3-531-866-01	SPRING, TENSION		125	3-370-385-01	SPRING, COMPRESSION	
111	3-364-433-01	STOPPER (DR)		126	3-377-720-01	WASHER, POLYETHYLENE	
112	3-910-400-01	GEAR (EJ3), CAM		* 127	3-908-794-01	LEVER (T2) (MZ LOCK)	
113	3-373-013-01	SPRING (EJ CAM)		128	3-364-387-11	SPRING (F)	
114	3-377-720-21	WASHER, POLYETHYLENE		129	X-3367-800-1	CHASSIS (51) SUB ASSY, MD	
115	3-364-432-01	GEAR (DR)		M601	X-3362-325-2	MOTOR ASSY (EJECT)	

(4) MD SECTION-3



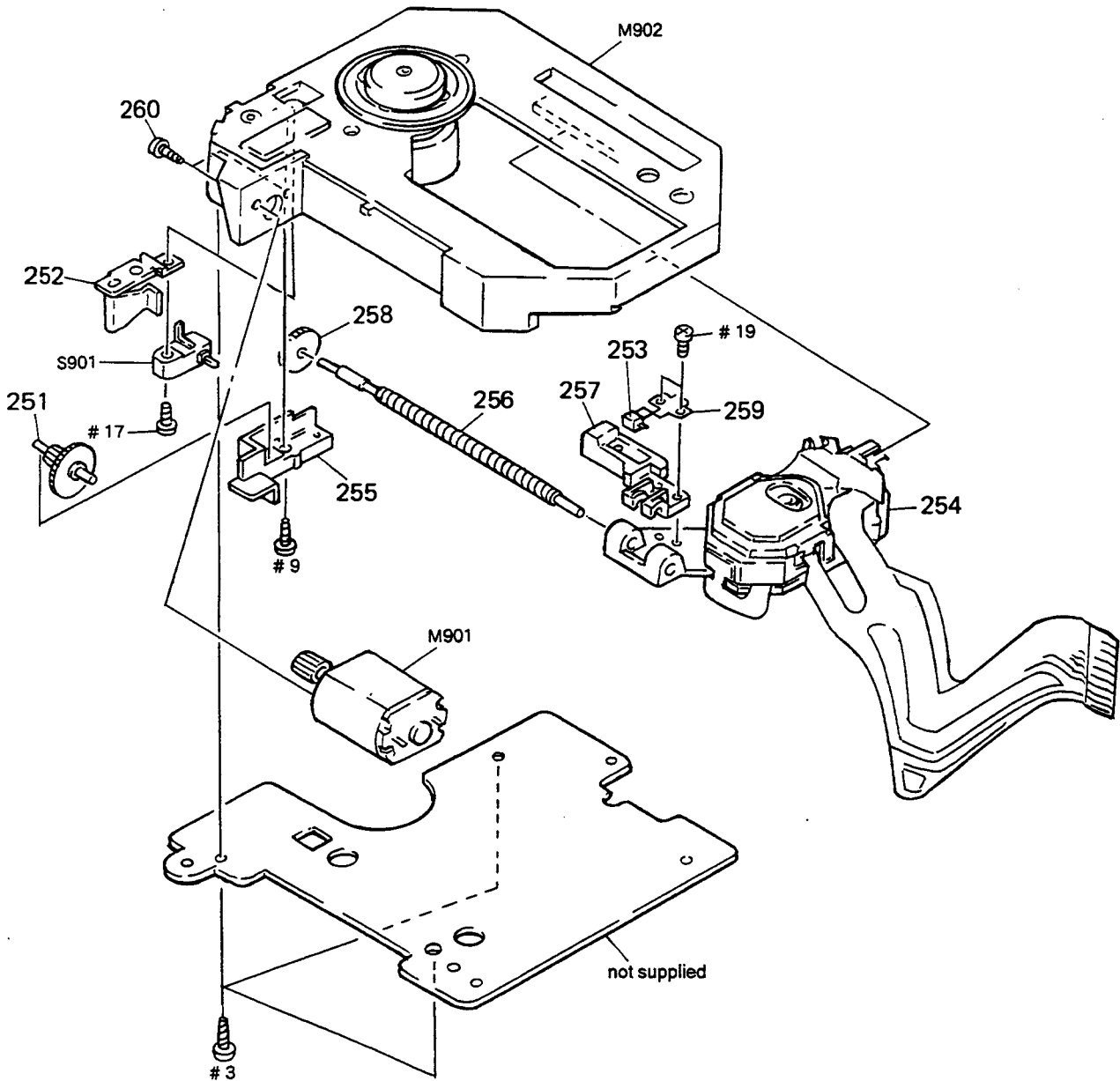
Ref. No.	Part No.	Description	Remark	Ref. No.	Part No.	Description	Remark
* 151	A-3295-865-A	SERVO BOARD, COMPLETE		162	X-3366-788-2	ARM (DH2) ASSY	
* 152	3-908-218-01	SHEET (EV), INSULATING		163	3-364-504-01	ROLLER (RA)	
* 153	3-368-565-01	BRACKET (DPT)		* 164	3-364-380-01	LEVER, SLIDE	
* 154	1-650-649-11	DPT BOARD		165	X-3362-345-1	GEAR ASSY, ROLLER	
155	3-364-421-01	BEARING (ROLLER)		166	3-377-720-11	WASHER, POLYETHYLENE	
156	3-323-231-11	ROLLER (LOWER)		167	3-364-506-01	ROLLER (SL)	
157	3-364-508-01	SPRING, COMPRESSION		168	3-377-719-11	WASHER, POLYETHYLENE	
158	X-3368-219-1	ARM (R) (51) (SERVICE) ASSY		* 169	1-650-650-11	DRIVER BOARD	
159	3-375-290-05	SPRING (DH)		170	3-380-759-02	PLATE (C), CHUCK	
160	3-341-752-11	WASHER, POLYETHYLENE		171	X-3367-910-1	BRACKET (CP) (51) ASSY	
161	X-3364-482-2	ARM (DH) ASSY		172	3-908-497-01	SPRING (F)	

(5) MD SECTION-4



Ref. No.	Part No.	Description	Remark	Ref. No.	Part No.	Description	Remark
201	1-751-193-11	CABLE, FLEXIBLE FLAT (6 CORE)		215	X-3364-530-1	BRACKET (WWR) ASSY	
* 202	1-650-648-11	SENSOR BOARD		216	3-364-416-01	WHEEL (R), WORM	
203	1-648-660-11	CABLE, FLEXIBLE FLAT (11 CORE)		217	3-701-441-11	WASHER	
204	1-643-083-12	MOTOR FLEXIBLE BOARD		218	3-388-479-01	SPRING, COMPRESSION	
205	X-3367-863-1	GEAR ASSY (2), EV		219	X-3364-535-3	GEAR (KW) ASSY	
* 206	X-3364-555-8	CHASSIS SUB ASSY, EV		220	3-377-719-11	WASHER, POLYETHYLENE	
207	3-485-239-00	SPRING, COMPRESSION		221	3-364-418-01	GEAR (SL)	
208	X-3364-531-1	SLIDER (KR) ASSY		222	3-308-717-00	SPRING, COMPRESSION	
209	3-364-417-01	GEAR (L)		223	3-346-918-01	WHEEL, WORM	
210	3-377-719-01	WASHER, POLYETHYLENE		224	3-353-804-01	SPRING, COMPRESSION	
211	3-364-422-01	GEAR (K)		M501	X-3362-325-2	MOTOR ASSY (ELV)	
212	X-3364-529-1	LEVER (KRA) ASSY		M502	X-3362-325-2	MOTOR ASSY (DISC LOAD/SAVE)	
213	3-364-419-01	GEAR (R), CAM		PRG401	1-454-580-21	SOLENOID, PLUNGER	
214	3-364-505-01	WHEEL (C), WORM		SW501	1-571-300-31	SWITCH, ROTARY (HOME/TOP)	

(6) OPTICAL PICK-UP SECTION
(MG-CD151-31)

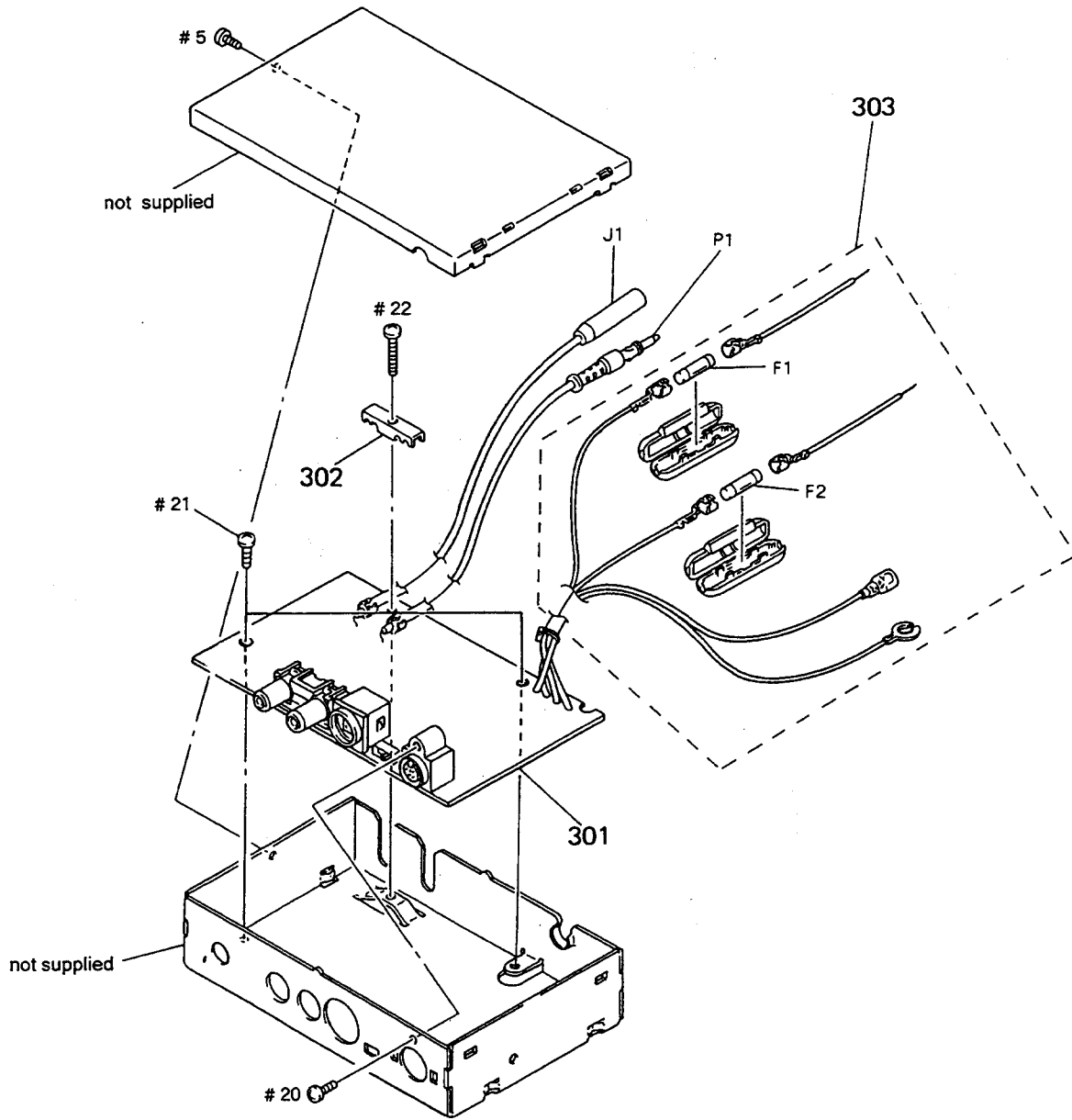


Ref. No.	Part No.	Description	Remark	Ref. No.	Part No.	Description	Remark
	251	3-908-091-01 GEAR (MID)			258	3-908-092-01 GEAR (SLED)	
	252	3-908-093-01 SPRING (THRUST RETAINER)			259	3-384-921-01 SPRING (SL FEED)	
	253	3-384-920-01 RETAINER (SL FEED)			260	3-910-519-02 SCREW (SL)	
	△254	8-848-308-01 DEVICE, OPTICAL KSS-315A			M901	X-3367-782-1 SLED MOTOR ASSY	
	255	3-908-097-01 HOLDER (GEAR)			M902	A-3252-844-A MOTOR (SP) ASSY	
	256	3-908-099-01 SHAFT (SLED)			S901	1-570-771-11 SWITCH (LIMIT)	
	257	3-908-098-01 GEAR (SL FEED)					

www.manualscenter.com

<p>Note: The components identified by mark △ or dotted line with mark △ are critical for safety. Replace only with part number specified.</p>	<p>Note: Les composants identifiés par une marque △ sont cités pour la sécurité. Ne les remplacer que par une pièce portant le numéro spécifié.</p>
---	---

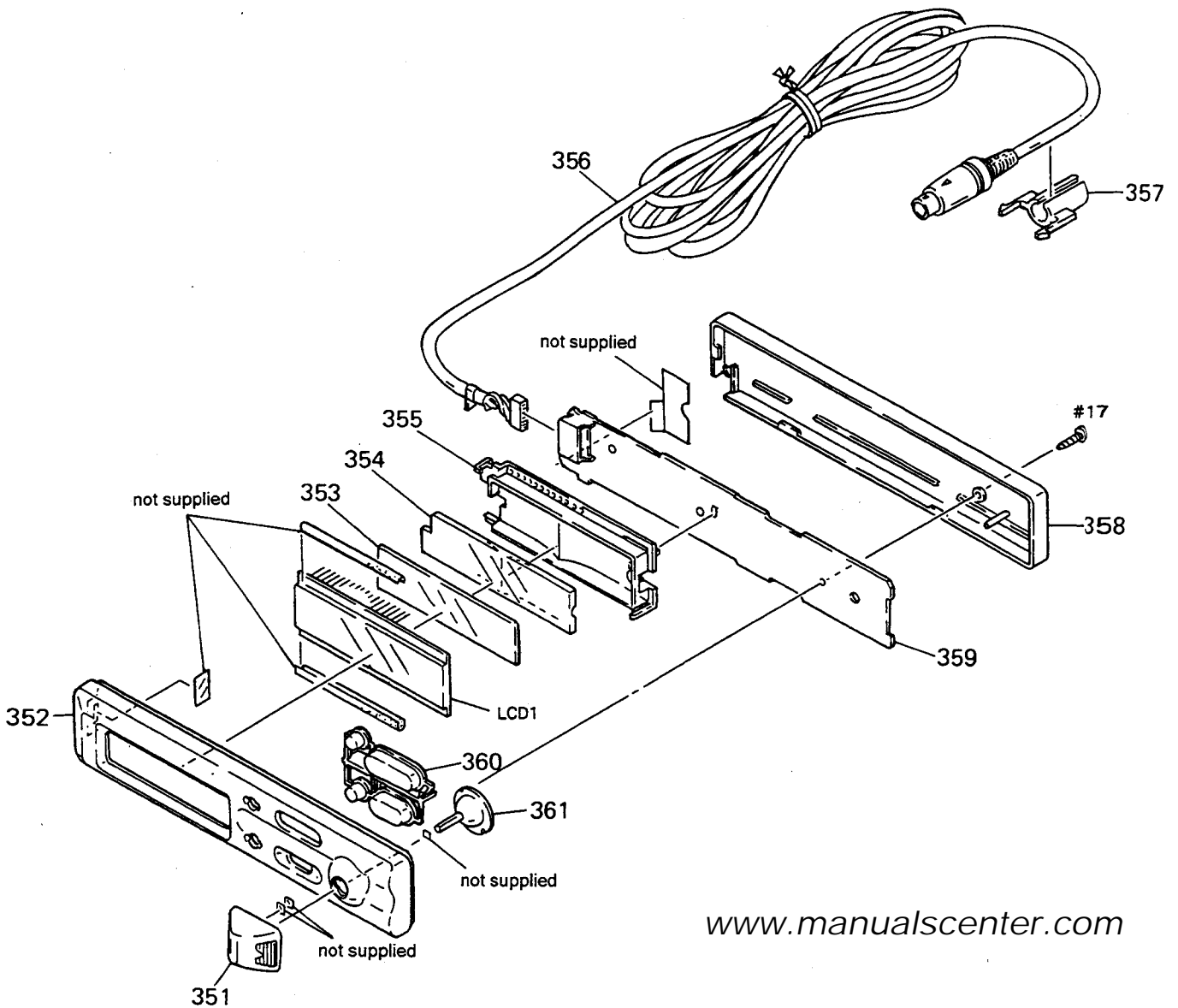
**(7) HIDEAWAY UNIT SECTION
(CDX-45RF)**



Ref. No.	Part No.	Description	Remark	Ref. No.	Part No.	Description	Remark
301	9-906-864-01	HIDEAWAY BOARD, COMPLETE		F2	1-532-360-XX	FUSE (1A)	
302	9-905-322-01	CABLE STOPPER		J1	9-905-317-01	ANT CABLE (J) (RF IN)	
303	9-906-860-01	POWER SUPPLY CABLE		P1	9-905-316-01	ANT CABLE (J) (RF OUT)	
F1	1-532-419-00	FUSE (3A 25V)					

www.manualscenter.com

**(8) REMOTE COMMANDER SECTION
(CDX-45RF)**



Ref. No.	Part No.	Description	Remark	Ref. No.	Part No.	Description	Remark
351	3-908-618-01	BUTTON (AMS)		357	3-908-832-01	LOCK (CONNECTOR)	
352	3-908-620-01	CASE (UPPER)		358	3-908-621-01	CASE (LOWER)	
* 353	3-908-624-01	ILLUMINATOR		* 359	A-3295-936-A	CONTROL BOARD, COMPLETE	
* 354	3-908-623-01	PLATE (LCD), LIGHT GUIDE		360	3-908-617-01	BUTTON (PLAY)	
* 355	3-908-622-01	HOLDER (LCD)		361	3-908-619-01	HINGE (JOY STICK)	
356	1-751-792-11	CORD (WITH CONNECTOR) (CDX-45RF)		LCD1	1-810-406-11	DISPLAY PANEL, LIQUID CRYSTAL	

BUS CONTROL DPT

**SECTION 7
ELECTRICAL PARTS LIST**

NOTE:

- Due to standardization, replacements in the parts list may be different from the parts specified in the diagrams or the components used on the set.
- -XX and -X mean standardized parts, so they may have some difference from the original one.
- RESISTORS
All resistors are in ohms.
METAL: Metal-film resistor.
METAL OXIDE: Metal oxide-film resistor.
F: nonflammable

- Items marked "*" are not stocked since they are seldom required for routine service. Some delay should be anticipated when ordering these items.
- SEMICONDUCTORS
In each case, u: μ , for example:
uA...: μ A. uPA...: μ PA.
uPB...: μ PB. uPC...: μ PC. uPD...: μ PD.
- CAPACITORS
uF: μ F
- COILS
uH: μ H

When indicating parts by reference number, please include the board.

The components identified by mark Δ or dotted line with mark Δ are critical for safety. Replace only with part number specified.

Les composants identifiés par une marque Δ sont critiques pour la sécurité. Ne les remplacer que par une pièce portant le numéro spécifié.

Ref. No.	Part No.	Description	Remark
*	1-650-653-11	BUS BOARD ***** < CONNECTOR >	
	CN801 1-580-907-21	PLUG, CONNECTOR (UNLINK :CONTROL)	
*	CNJ801 1-566-968-11	HOUSING, CONNECTOR(PC BOARD)6P *****	
*	A-3295-936-A	CONTROL BOARD, COMPLETE (CDX-45RF) *****	
*	3-908-622-01	HOLDER (LCD)	
*	3-908-623-01	PLATE (LCD), LIGHT GUIDE	
*	3-908-624-01	ILLUMINATOR < CAPACITOR >	
C1	1-124-779-00	ELECT CHIP 10uF 20% 16V	
C2	1-163-137-00	CERAMIC CHIP 680PF 5% 50V	
C3	1-163-037-11	CERAMIC CHIP 0.022uF 10% 25V	
C4	1-163-033-00	CERAMIC CHIP 0.022uF 50V	
		< CONNECTOR >	
CN1	1-764-421-21	PIN, CONNECTOR 8P < DIODE >	
D1	8-719-422-43	DIODE MA8051-H-TX < IC >	
IC1	8-759-249-93	IC LC75821W	
IC2	8-759-205-62	IC TC4050BF-TP1 < LIQUID CRYSTAL DISPLAY >	
LCD1	1-810-406-11	DISPLAY PANEL, LIQUID CRYSTAL < PILOT LAMP >	
P1	1-517-166-21	LAMP, PILOT	
P2	1-517-166-21	LAMP, PILOT	

Ref. No.	Part No.	Description	Remark
		< RESISTOR >	
R1	1-216-833-11	METAL CHIP 10K 5% 1/16W	
R2	1-216-833-11	METAL CHIP 10K 5% 1/16W	
R3	1-216-817-11	METAL CHIP 470 5% 1/16W	
R4	1-216-833-11	METAL CHIP 10K 5% 1/16W	
R5	1-216-657-11	METAL CHIP 1.8K 0.5% 1/10W	
R6	1-216-653-11	METAL CHIP 1.2K 0.5% 1/10W	
R7	1-216-655-11	METAL CHIP 1.5K 0.5% 1/10W	
R8	1-216-657-11	METAL CHIP 1.8K 0.5% 1/10W	
R9	1-216-659-11	METAL CHIP 2.2K 0.5% 1/10W	
R10	1-216-663-11	METAL CHIP 3.3K 0.5% 1/10W	
R11	1-216-665-11	METAL CHIP 3.9K 0.5% 1/10W	
R12	1-216-671-11	METAL CHIP 6.8K 0.5% 1/10W	
R13	1-216-692-11	METAL CHIP 51K 0.5% 1/10W	
R14	1-216-043-00	METAL CHIP 560 5% 1/10W	
		< SWITCH >	
S1	1-692-386-21	SWITCH (REP)	
S2	1-692-386-21	SWITCH (SHUF)	
S3	1-692-838-21	SWITCH, TACTILE (RUBBER) (◀◀)	
S4	1-692-838-21	SWITCH, TACTILE (RUBBER) (▶▶)	
S5	1-692-838-21	SWITCH, TACTILE (RUBBER) (DISC-)	
S6	1-692-838-21	SWITCH, TACTILE (RUBBER) (DISC+)	
S7	1-692-386-21	SWITCH (▶▶▶)	
S8	1-692-386-21	SWITCH (OFF)	

*	1-650-649-11	DPT BOARD ***** < DIODE >	
D451	8-719-045-93	DIODE AN1102W *****	

DRIVER

HIDEAWAY

Ref.No.	Part No.	Description	Remark		
*	1-650-650-11	DRIVER BOARD *****			
		< CAPACITOR >			
C501	1-126-397-11	ELECT	33uF	20%	25V
C502	1-163-038-00	CERAMIC CHIP	0.1uF		25V
C503	1-163-038-00	CERAMIC CHIP	0.1uF		25V
C504	1-163-038-00	CERAMIC CHIP	0.1uF		25V
		< CONNECTOR >			
CNJ501	1-764-436-21	CONNECTOR, FPC 6P			
CNJ502	1-764-621-21	CONNECTOR, FFC/FPC (ZIF) 6P			
		< DIODE >			
D501	8-719-045-93	DIODE AN1102W			
		< IC >			
IC501	8-759-070-68	IC BA6247FP-YT1			
		< JUMPER RESISTOR >			
JR501	1-216-296-00	METAL CHIP	0	5%	1/8W
JR502	1-216-296-00	METAL CHIP	0	5%	1/8W
JR503	1-216-296-00	METAL CHIP	0	5%	1/8W
JR504	1-216-296-00	METAL CHIP	0	5%	1/8W
JR505	1-216-296-00	METAL CHIP	0	5%	1/8W
		< RESISTOR >			
R501	1-216-049-00	METAL CHIP	1K	5%	1/10W
R502	1-216-049-00	METAL CHIP	1K	5%	1/10W
R503	1-216-049-00	METAL CHIP	1K	5%	1/10W
R504	1-216-049-00	METAL CHIP	1K	5%	1/10W
R505	1-218-232-91	METAL GLAZE	4.7	10%	1/2W
R506	1-218-232-91	METAL GLAZE	4.7	10%	1/2W

*	9-906-864-01	HIDEAWAY BOARD, COMPLETE (CDX-45RF) *****			
		< CAPACITOR >			
C101	1-163-009-11	CERAMIC (CHIP)	1000PF	10%	50V
C102	1-163-141-00	CERAMIC (CHIP)	1000PF	5%	50V
C103	1-126-301-11	ELECT	1uF	20%	50V
C201	1-163-009-11	CERAMIC (CHIP)	1000PF	10%	50V
C202	1-163-141-00	CERAMIC (CHIP)	1000PF	5%	50V
C203	1-126-301-11	ELECT	1uF	20%	50V
C301	1-126-157-11	ELECT	10uF	20%	16V
C302	1-163-141-00	CERAMIC (CHIP)	1000PF	5%	50V
C303	1-163-227-11	CERAMIC (CHIP)	10PF	0.5PF	50V

Ref.No.	Part No.	Description	Remark		
C306	1-163-125-00	CERAMIC (CHIP)	220PF	5%	50V
C309	1-126-562-11	ELECT	4.7uF	20%	16V
C310	1-163-117-00	CERAMIC (CHIP)	100PF	5%	50V
C311	1-124-464-11	ELECT	0.22uF	20%	50V
C312	1-124-464-11	ELECT	0.22uF	20%	50V
C313	1-163-117-00	CERAMIC (CHIP)	100PF	5%	50V
C314	1-163-227-11	CERAMIC (CHIP)	10PF	0.5PF	50V
C315	1-163-227-11	CERAMIC (CHIP)	10PF	0.5PF	50V
C316	1-163-097-00	CERAMIC (CHIP)	15PF	5%	50V
C317	1-163-229-11	CERAMIC (CHIP)	12PF	5%	50V
C319	1-163-225-11	CERAMIC (CHIP)	8PF	10%	100V
C320	1-163-021-00	CERAMIC (CHIP)	0.01uF	5%	50V
C321	1-163-021-00	CERAMIC (CHIP)	0.01uF	5%	50V
C322	1-163-021-00	CERAMIC (CHIP)	0.01uF	5%	50V
C323	1-163-109-00	CERAMIC (CHIP)	47PF	5%	50V
C324	1-163-109-00	CERAMIC (CHIP)	47PF	5%	50V
C325	1-163-809-11	CERAMIC (CHIP)	0.047uF	10%	25V
C326	1-124-967-11	ELECT	10uF	20%	10V
C327	1-163-809-11	CERAMIC (CHIP)	0.047uF	10%	25V
C328	1-164-237-11	CERAMIC (CHIP)	27PF	5%	50V
C329	1-163-237-11	CERAMIC (CHIP)	27PF	5%	50V
C331	1-163-021-00	CERAMIC (CHIP)	0.01uF	5%	50V
C332	1-163-021-00	CERAMIC (CHIP)	0.01uF	5%	50V
C334	1-163-809-11	CERAMIC (CHIP)	0.0417uF	10%	25V
C335	1-126-923-11	ELECT	220uF		6.3V
C401	1-163-077-00	CERAMIC (CHIP)	0.1uF		50V
C402	1-126-768-11	ELECT	2200uF	20%	16V
C403	1-126-301-11	ELECT	1uF	20%	50V
C404	1-124-229-00	ELECT	33uF	20%	10V
C405	1-125-559-11	DOUBLE LAYERS	0.047uF		5.5V
C406	1-163-809-11	CERAMIC (CHIP)	0.047uF	10%	25V
C409	1-163-809-11	CERAMIC (CHIP)	0.047uF	10%	25V
C410	1-126-163-11	ELECT	4.7uF	20%	50V
C411	1-163-077-00	CERAMIC (CHIP)	0.1uF		50V
C412	1-163-017-00	CERAMIC (CHIP)	0.047uF	10%	50V
C501	1-126-581-11	ELECT (CHIP)	1uF	20%	50V
C503	1-163-017-00	TANTAL (CHIP)	0.047uF	10%	50V
C504	1-163-017-00	TANTAL (CHIP)	0.047uF	10%	50V
C505	1-163-017-00	TANTAL (CHIP)	0.047uF	10%	50V
C506	1-163-017-00	TANTAL (CHIP)	0.047uF	10%	50V
C507	1-163-017-00	TANTAL (CHIP)	0.047uF	10%	50V
C601	1-163-117-00	CERAMIC (CHIP)	100PF	5%	50V
C602	1-163-117-00	CERAMIC (CHIP)	100PF	5%	50V
C603	1-163-117-00	CERAMIC (CHIP)	100PF	5%	50V
C604	1-163-809-11	CERAMIC (CHIP)	0.047uF	10%	25V
C701	1-163-117-00	CERAMIC (CHIP)	100PF	5%	50V
C702	1-163-117-00	CERAMIC (CHIP)	100PF	5%	50V

HIDEAWAY

Ref. No.	Part No.	Description	Remark	Ref. No.	Part No.	Description	Remark
< DIODE >							
D301	8-719-801-48	DIODE	1SS193	Q103	8-729-900-98	TRANSISTOR	DTC143TK
D302	8-719-801-48	DIODE	1SS193	Q201	8-729-900-98	TRANSISTOR	DTC143TK
D303	9-905-312-01	DIODE	1SV110	Q202	8-729-900-98	TRANSISTOR	DTC143TK
D401	8-719-945-59	DIODE	DSA3A4	Q203	8-729-900-98	TRANSISTOR	DTC143TK
D402	8-719-106-16	ZENER	RD6. 8M-B1	Q301	8-729-230-49	TRANSISTOR	2SC2712-YG
D403	8-719-914-44	DIODE	DAP202K	Q304	8-729-804-72	TRANSISTOR	2SC2814-F4
D405	8-719-106-16	ZENER	RD6. 8M-B1	Q305	8-729-804-72	TRANSISTOR	2SC2814-F4
D406	8-719-400-18	DIODE	MA152WK	Q307	8-729-901-00	TRANSISTOR	DTC124EK
D407	8-719-032-70	ZENER	HZM7. 5NB2-TL	Q308	8-729-123-85	TRANSISTOR	2SK238-K15
D501	8-719-106-62	ZENER	RD11M-B2	Q309	8-729-230-49	TRANSISTOR	2SC2712-YG
D601	8-719-032-70	ZENER	HZM7. 5NB2-TL	Q401	8-729-807-51	TRANSISTOR	2SD1623-S
D606	8-719-801-48	DIODE	1SS193	Q402	8-729-901-01	TRANSISTOR	DTC144EK
< IC >				Q403	8-729-901-05	TRANSISTOR	DTA124EK
IC301	8-759-323-81	IC	HA178L05UA	Q404	8-729-230-49	TRANSISTOR	2SC2712-YG
IC302	9-905-310-01	IC	BA1405F	Q405	8-729-901-01	TRANSISTOR	DTC144EK
IC303	9-905-311-01	IC	LM7001M	Q406	8-729-901-05	TRANSISTOR	DTA124EK
IC401	8-759-940-45	IC	S8054HNCB-S	Q501	8-729-901-01	TRANSISTOR	DTC144EK
IC601	8-759-096-15	IC	MM1175XF	Q502	8-729-901-05	TRANSISTOR	DTA124EK
IC602	8-759-254-21	IC	uPD75517GF-243-3B9	Q503	8-729-240-10	TRANSISTOR	2SD1417
< JACK >				Q601	8-729-901-00	TRANSISTOR	DTC124EK
J1	9-905-317-01	ANT CABLE (J) (RF IN)		Q701	8-729-901-01	TRANSISTOR	DTC144EK
J2	9-905-315-01	PIN JACK (2P) (UNILINK IN: AUDIO L/R)		Q702	8-729-901-04	TRANSISTOR	DTA114EK
J3	1-580-907-11	PLUG, CONNECTOR (UNILINK IN: CONTROL)		< RESISTOR >			
J4	1-563-486-11	SOCKET, CONNECTOR (COMMANDER/DISPLAY)		R101	1-216-056-00	METAL CHIP	2K 5% 1/10W
< JUMPER RESISTOR >				R102	1-216-065-00	METAL CHIP	4.7K 5% 1/10W
J101	1-216-295-00	METAL CHIP	0 5% 1/10W	R103	1-216-056-00	METAL CHIP	2K 5% 1/10W
J205	1-216-295-00	METAL CHIP	0 5% 1/10W	R104	1-216-047-00	METAL CHIP	820 5% 1/10W
J501	1-216-295-00	METAL CHIP	0 5% 1/10W	R105	1-216-077-00	METAL CHIP	15K 5% 1/10W
J502	1-216-295-00	METAL CHIP	0 5% 1/10W	R106	1-216-057-00	METAL CHIP	2.2K 5% 1/10W
J601	1-216-295-00	METAL CHIP	0 5% 1/10W	R107	1-216-074-00	METAL CHIP	11K 5% 1/10W
< COIL >				R108	1-216-689-11	METAL FILM CHIP	39K 0.5% 1/10W
L301		not Supplied		R201	1-216-056-00	METAL CHIP	2K 5% 1/10W
L302		not Supplied		R202	1-216-065-00	METAL CHIP	4.7K 5% 1/10W
L303	1-408-567-11	MICRO INDUCTOR	22uH	R203	1-216-056-00	METAL CHIP	2K 5% 1/10W
L401	1-421-359-00	COIL, CHOKE		R204	1-216-047-00	METAL CHIP	820 5% 1/10W
L402	1-408-567-11	MICRO INDUCTOR	22uH	R205	1-216-077-00	METAL CHIP	15K 5% 1/10W
< ANT CABLE >				R206	1-216-057-00	METAL CHIP	2.2K 5% 1/10W
P1	9-905-316-01	ANT CABLE (P) (RF OUT)		R207	1-216-074-00	METAL CHIP	11K 5% 1/10W
< TRANSISTOR >				R208	1-216-689-11	METAL FILM CHIP	39K 0.5% 1/10W
Q101	8-729-900-98	TRANSISTOR	DTC143TK	R209	1-216-035-00	METAL CHIP	270 5% 1/10W
Q102	8-729-900-98	TRANSISTOR	DTC143TK	R302	1-216-059-00	METAL CHIP	2.7K 5% 1/10W
				R303	1-216-037-00	METAL CHIP	330 5% 1/10W
				R304	1-216-033-00	METAL CHIP	220 5% 1/10W
				R305	1-216-097-00	METAL CHIP	100K 5% 1/10W
				R310	1-216-073-00	METAL CHIP	10K 5% 1/10W
				R311	1-216-073-00	METAL CHIP	10K 5% 1/10W
				R312	1-216-073-00	METAL CHIP	10K 5% 1/10W
				R313	1-216-075-00	METAL CHIP	12K 5% 1/10W

HIDEAWAY

JACK

MD

Ref. No.	Part No.	Description	Remark
R314	1-216-049-00	METAL CHIP	1K 5% 1/10W
R315	1-216-073-00	METAL CHIP	10K 5% 1/10W
R316	1-216-063-00	METAL CHIP	3.9K 5% 1/10W
R317	1-216-075-00	METAL CHIP	0 5% 1/10W
R318	1-216-097-00	METAL CHIP	100K 5% 1/10W
R319	1-216-025-00	METAL CHIP	100 5% 1/10W
R320	1-216-025-00	METAL CHIP	100 5% 1/10W
R321	1-216-097-00	METAL CHIP	100K 5% 1/10W
R322	1-216-022-00	METAL CHIP	75 5% 1/10W
R323	1-216-037-00	METAL CHIP	330 5% 1/10W
R324	1-216-025-00	METAL CHIP	100 5% 1/10W
R325	1-216-073-00	METAL CHIP	10K 5% 1/10W
R326	1-216-047-00	METAL CHIP	820 5% 1/10W
R327	1-216-081-00	METAL CHIP	22K 5% 1/10W
R328	1-216-029-00	METAL CHIP	150 5% 1/10W
R401	1-216-073-00	METAL CHIP	10K 5% 1/10W
R402	1-216-089-00	METAL CHIP	47K 5% 1/10W
R404	1-216-067-00	METAL CHIP	5.6K 5% 1/10W
R405	1-216-073-00	METAL CHIP	10K 5% 1/10W
R406	1-216-057-00	METAL CHIP	2.2K 5% 1/10W
R407	1-216-089-00	METAL CHIP	47K 5% 1/10W
R408	1-216-089-00	METAL CHIP	47K 5% 1/10W
R409	1-216-083-00	METAL CHIP	27K 5% 1/10W
R410	1-216-089-00	METAL CHIP	47K 5% 1/10W
R501	1-216-041-00	METAL CHIP	470 5% 1/10W
R503	1-216-049-00	METAL CHIP	1K 5% 1/10W
R504	1-216-049-00	METAL CHIP	1K 5% 1/10W
R505	1-216-049-00	METAL CHIP	1K 5% 1/10W
R506	1-216-049-00	METAL CHIP	1K 5% 1/10W
R601	1-216-025-00	METAL CHIP	100 5% 1/10W
R602	1-216-025-00	METAL CHIP	100 5% 1/10W
R603	1-216-073-00	METAL CHIP	10K 5% 1/10W
R604	1-216-097-00	METAL CHIP	100K 5% 1/10W
R605	1-216-089-00	METAL CHIP	47K 5% 1/10W
R606	1-216-105-00	METAL CHIP	220K 5% 1/10W
R607	1-216-105-00	METAL CHIP	220K 5% 1/10W
R608	1-216-105-00	METAL CHIP	220K 5% 1/10W
R609	1-216-097-00	METAL CHIP	100K 5% 1/10W
R610	1-216-105-00	METAL CHIP	220K 5% 1/10W
R611	1-216-073-00	METAL CHIP	10K 5% 1/10W
R612	1-216-073-00	METAL CHIP	10K 5% 1/10W
R703	1-216-073-00	METAL CHIP	10K 5% 1/10W
		< RELAY >	
RL301	9-906-859-01	RELAY	
		< SWITCH >	
SW601	1-570-114-11	SLIDE SWITCH (POWER SEL)	

Ref. No.	Part No.	Description	Remark
SW602	9-905-345-01	SWITCH, TACTIL (RESET)	
		< VARIABLE RESISTOR >	
VR301	1-230-529-11	ADJ, METAL GRAZE	47K
VR302	1-230-519-11	ADJ, METAL GRAZE	470
		< VIBRATOR >	
X301	1-567-093-00	VIBRATOR, CRYSTAL	(38KHz)
X302	9-905-313-01	VIBRATOR, CRYSTAL	(7.2KHz)
X601	9-905-343-01	VIBRATOR, CERAMIC	(4.19MHz)

*	1-650-652-11	JACK BOARD	*****
		< CAPACITOR >	
C701	1-163-038-00	CERAMIC CHIP	0.1uF 25V
C702	1-163-263-11	CERAMIC CHIP	330PF 5% 50V
C703	1-161-379-00	CERAMIC	0.01uF 30% 16V
		< CONNECTOR >	
CN701	1-580-441-11	JACK, PIN 2P	
CNJ701	1-573-549-11	SOCKET, CONNECTOR 11P	
* CNP701	1-566-971-11	PIN, CONNECTOR (PC BOARD) 6P	
		< FERRITE BEAD >	
FB701	1-500-121-21	BEAD, FERRITE (CHIP)	
		< IC >	
IC701	1-532-686-21	LI NK, IC	
		< JUMPER RESISTOR >	
JR701	1-216-296-00	METAL CHIP	0 5% 1/8W
JR702	1-216-296-00	METAL CHIP	0 5% 1/8W

*	A-3295-864-A	MD BOARD, COMPLETE	*****
		< CAPACITOR >	
C901	1-124-034-51	ELECT	33uF 20% 16V
C902	1-124-589-11	ELECT	47uF 20% 16V
C903	1-124-589-11	ELECT	47uF 20% 16V
C904	1-124-360-00	ELECT	1000uF 20% 16V
C905	1-163-038-00	CERAMIC CHIP	0.1uF 25V
C906	1-124-034-51	ELECT	33uF 20% 16V
C907	1-124-034-51	ELECT	33uF 20% 16V
C908	1-164-505-11	CERAMIC CHIP	2.2uF 16V
C909	1-124-034-51	ELECT	33uF 20% 16V

Ref. No.	Part No.	Description	Remark			Ref. No.	Part No.	Description	Remark		
C910	1-125-701-11	DOUBLE LAYER	0.047F		5.5V	JR907	1-216-296-00	METAL CHIP	0	5%	1/8W
C911	1-163-038-00	CERAMIC CHIP	0.1uF		25V	JR908	1-216-296-00	METAL CHIP	0	5%	1/8W
C912	1-126-301-11	ELECT	1uF	20%	50V	JR909	1-216-296-00	METAL CHIP	0	5%	1/8W
C913	1-163-189-00	CERAMIC CHIP	220PF	5%	50V	JR910	1-216-296-00	METAL CHIP	0	5%	1/8W
C916	1-164-505-11	CERAMIC CHIP	2.2uF		16V	JR911	1-216-296-00	METAL CHIP	0	5%	1/8W
C917	1-163-077-91	CERAMIC CHIP	0.1uF		50V	JR912	1-216-296-00	METAL CHIP	0	5%	1/8W
C951	1-124-034-51	ELECT	33uF	20%	16V	JR913	1-216-296-00	METAL CHIP	0	5%	1/8W
C952	1-163-038-00	CERAMIC CHIP	0.1uF		25V	JR914	1-216-296-00	METAL CHIP	0	5%	1/8W
C953	1-163-038-00	CERAMIC CHIP	0.1uF		25V	JR915	1-216-296-00	METAL CHIP	0	5%	1/8W
C981	1-163-029-11	CERAMIC CHIP	0.0047uF		50V	JR916	1-216-296-00	METAL CHIP	0	5%	1/8W
C982	1-163-077-91	CERAMIC CHIP	0.1uF		50V	JR917	1-216-296-00	METAL CHIP	0	5%	1/8W
< CONNECTOR >						JR918	1-216-296-00	METAL CHIP	0	5%	1/8W
CNJ901	1-764-391-11	CONNECTOR, FFC/FPC (ZIF) 26P				JR920	1-216-296-00	METAL CHIP	0	5%	1/8W
CNJ902	1-573-549-11	SOCKET, CONNECTOR 11P				JR922	1-216-296-00	METAL CHIP	0	5%	1/8W
* CNP981	1-506-998-11	PIN, CONNECTOR (PC BOARD) 2P				JR923	1-216-296-00	METAL CHIP	0	5%	1/8W
< DIODE >						JR924	1-216-296-00	METAL CHIP	0	5%	1/8W
D901	8-719-210-33	DIODE EC10DS2				JR925	1-216-296-00	METAL CHIP	0	5%	1/8W
D902	8-719-210-33	DIODE EC10DS2				JR926	1-216-296-00	METAL CHIP	0	5%	1/8W
D903	8-719-801-78	DIODE 1SS184				JR927	1-216-296-00	METAL CHIP	0	5%	1/8W
D904	8-719-106-08	DIODE RD6. 2M-B2				JR928	1-216-296-00	METAL CHIP	0	5%	1/8W
D905	8-719-105-99	DIODE RD6. 2M-B1				JR929	1-216-296-00	METAL CHIP	0	5%	1/8W
D906	8-719-038-48	DIODE 1SS319 (TE85R)				JR930	1-216-296-00	METAL CHIP	0	5%	1/8W
D907	8-719-801-78	DIODE 1SS184				JR931	1-216-296-00	METAL CHIP	0	5%	1/8W
D981	8-719-106-08	DIODE RD6. 2M-B2				JR932	1-216-296-00	METAL CHIP	0	5%	1/8W
D982	8-719-975-40	DIODE RB411D				JR933	1-216-296-00	METAL CHIP	0	5%	1/8W
D983	8-719-106-08	DIODE RD6. 2M-B2				JR934	1-216-296-00	METAL CHIP	0	5%	1/8W
D984	8-719-975-40	DIODE RB411D				JR935	1-216-296-00	METAL CHIP	0	5%	1/8W
< FERRITE BEAD >						JR936	1-216-296-00	METAL CHIP	0	5%	1/8W
FB901	1-500-121-21	BEAD, FERRITE (CHIP)				JR937	1-216-296-00	METAL CHIP	0	5%	1/8W
FB902	1-500-121-21	BEAD, FERRITE (CHIP)				JR938	1-216-296-00	METAL CHIP	0	5%	1/8W
< IC >						JR939	1-216-296-00	METAL CHIP	0	5%	1/8W
IC901	8-759-231-53	IC TA7805S				JR940	1-216-296-00	METAL CHIP	0	5%	1/8W
IC902	8-759-054-12	IC PQ09RA1				JR941	1-216-296-00	METAL CHIP	0	5%	1/8W
IC903	8-759-940-45	IC S-8054HN-CB				< TRANSISTOR >					
IC951	8-759-040-83	IC BA6287F				Q901	8-729-016-83	TRANSISTOR	2SB1446		
IC981	8-759-096-18	IC MM1176XFF				Q902	8-729-424-59	TRANSISTOR	UN2212		
< JUMPER RESISTOR >						Q903	8-729-808-01	TRANSISTOR	2SD1622-S		
JR901	1-216-296-00	METAL CHIP	0	5%	1/8W	Q904	8-729-424-12	TRANSISTOR	UN2112		
JR902	1-216-296-00	METAL CHIP	0	5%	1/8W	Q905	8-729-230-49	TRANSISTOR	2SC2712-YG		
JR903	1-216-296-00	METAL CHIP	0	5%	1/8W	< RESISTOR >					
JR904	1-216-296-00	METAL CHIP	0	5%	1/8W	R901	1-216-073-00	METAL CHIP	10K	5%	1/10W
JR905	1-216-296-00	METAL CHIP	0	5%	1/8W	R902	1-216-049-00	METAL CHIP	1K	5%	1/10W
JR906	1-216-296-00	METAL CHIP	0	5%	1/8W	R903	1-216-089-00	METAL GLAZE	47K	5%	1/10W
						R904	1-216-077-00	METAL CHIP	15K	5%	1/10W
						R905	1-216-089-00	METAL GLAZE	47K	5%	1/10W
						R906	1-216-206-00	METAL GLAZE	2.2K	5%	1/8W
						R907	1-216-689-11	METAL CHIP	39K	0.5%	1/10W

MD

MOTOR FLEXIBLE

SENSOR

SERVO

Ref. No.	Part No.	Description	Remark
R908	1-216-238-00	METAL GLAZE	47K 5% 1/8W
R909	1-216-089-00	METAL GLAZE	47K 5% 1/10W
R910	1-216-238-00	METAL GLAZE	47K 5% 1/8W
R953	1-218-279-11	METAL GLAZE	12 5% 1/2W
R954	1-218-279-11	METAL GLAZE	12 5% 1/2W
R955	1-218-279-11	METAL GLAZE	12 5% 1/2W
R981	1-216-089-00	METAL GLAZE	47K 5% 1/10W
< SWITCH >			
SW901	1-571-958-11	SWITCH, PUSH (1 KEY) (PST)	
SW902	1-692-864-11	SWITCH, PUSH (1 KEY) (LOCK)	
SW904	1-571-958-11	SWITCH, PUSH (1 KEY) (LOT)	
SW951	1-571-532-51	SWITCH, TACTIL (▲)	

	1-643-083-11	MOTOR FLEXIBLE BOARD	*****
< MOTOR >			
M501	X-3362-325-2	MOTOR ASSY (ELV)	
M502	X-3362-325-2	MOTOR ASSY (DISC LOAD/SAVE)	
< SWITCH >			
SW501	1-571-300-31	SWITCH, ROTARY (HOME)	

*	1-650-648-11	SENSOR BOARD	*****
< CONNECTOR >			
CNJ401	1-764-437-21	CONNECTOR, FPC 11P	
CNJ402	1-764-436-21	CONNECTOR, FPC 6P	
* CNP401	1-580-055-21	PIN, CONNECTOR 2P	
* CNP402	1-695-320-21	PIN, CONNECTOR (1.5MM) (SMD) 2P	
< DIODE >			
D401	8-719-801-78	DIODE 1SS184	
< JUMPER RESISTOR >			
JR401	1-216-296-00	METAL CHIP	0 5% 1/8W
JR402	1-216-296-00	METAL CHIP	0 5% 1/8W
JR403	1-216-296-00	METAL CHIP	0 5% 1/8W
JR404	1-216-296-00	METAL CHIP	0 5% 1/8W
< TRANSISTOR >			
Q401	8-729-804-41	TRANSISTOR 2SB1122-S	
Q402	8-729-424-59	TRANSISTOR UN2212	
Q403	8-729-024-26	PHOTO TRANSISTOR CPT-181S-C-TU	
Q404	8-729-024-26	PHOTO TRANSISTOR CPT-181S-C-TU	

Ref. No.	Part No.	Description	Remark
< RESISTOR >			
R401	1-216-198-00	METAL GLAZE	1K 5% 1/8W
R402	1-216-198-00	METAL GLAZE	1K 5% 1/8W
R403	1-216-198-00	METAL GLAZE	1K 5% 1/8W
< SWITCH >			
SW401	1-571-754-31	SWITCH, PUSH (1 KEY) (CES)	

*	A-3295-865-A	SERVO BOARD, COMPLETE	*****

*	1-563-470-11	HOUSING, CONNECTOR 2P	
< CAPACITOR >			
C11	1-135-162-21	TANTALUM CHIP	33uF 20% 6.3V
C12	1-135-162-21	TANTALUM CHIP	33uF 20% 6.3V
C13	1-164-346-11	CERAMIC CHIP	1uF 16V
C14	1-135-162-21	TANTALUM CHIP	33uF 20% 6.3V
C15	1-135-162-21	TANTALUM CHIP	33uF 20% 6.3V
C16	1-135-162-21	TANTALUM CHIP	33uF 20% 6.3V
C17	1-135-162-21	TANTALUM CHIP	33uF 20% 6.3V
C18	1-135-162-21	TANTALUM CHIP	33uF 20% 6.3V
C19	1-164-346-11	CERAMIC CHIP	1uF 16V
C20	1-163-005-11	CERAMIC CHIP	470PF 10% 50V
C21	1-163-038-00	CERAMIC CHIP	0.1uF 25V
C22	1-163-005-11	CERAMIC CHIP	470PF 10% 50V
C23	1-164-245-11	CERAMIC CHIP	0.015uF 10% 25V
C24	1-162-969-11	CERAMIC CHIP	0.0068uF 10% 25V
C25	1-163-038-00	CERAMIC CHIP	0.1uF 25V
C26	1-163-038-00	CERAMIC CHIP	0.1uF 25V
C27	1-164-471-11	CERAMIC CHIP	680PF 5% 50V
C28	1-164-471-11	CERAMIC CHIP	680PF 5% 50V
C29	1-164-471-11	CERAMIC CHIP	680PF 5% 50V
C30	1-164-471-11	CERAMIC CHIP	680PF 5% 50V
C31	1-164-227-11	CERAMIC CHIP	0.022uF 10% 25V
C32	1-164-227-11	CERAMIC CHIP	0.022uF 10% 25V
C33	1-163-038-00	CERAMIC CHIP	0.1uF 25V
C34	1-163-038-00	CERAMIC CHIP	0.1uF 25V
C35	1-163-038-00	CERAMIC CHIP	0.1uF 25V
C36	1-164-346-11	CERAMIC CHIP	1uF 16V
C37	1-162-927-11	CERAMIC CHIP	100PF 5% 50V
C38	1-164-676-11	CERAMIC CHIP	2200PF 5% 16V
C39	1-164-346-11	CERAMIC CHIP	1uF 16V
C40	1-165-176-11	CERAMIC CHIP	0.047uF 10% 16V
C41	1-164-672-11	CERAMIC CHIP	1500PF 5% 16V
C42	1-162-927-11	CERAMIC CHIP	100PF 5% 50V
C43	1-135-145-11	TANTALUM CHIP	0.47uF 10% 35V
C44	1-162-970-11	CERAMIC CHIP	0.01uF 10% 25V

SERVO

Ref. No.	Part No.	Description	Remark	Ref. No.	Part No.	Description	Remark
C45	1-164-346-11	CERAMIC CHIP	1uF 16V	IC16	8-759-196-57	IC SM5874AM-ET	
C46	1-163-235-11	CERAMIC CHIP	22PF 5% 50V	IC17	8-759-252-90	IC TLV2362IPW-ELM1500	
C47	1-163-235-11	CERAMIC CHIP	22PF 5% 50V	< JUMPER RESISTOR >			
C48	1-135-162-21	TANTALUM CHIP	33uF 20% 6.3V	JR1	1-216-864-11	METAL CHIP 0 5% 1/16W	
C49	1-163-038-00	CERAMIC CHIP	0.1uF 25V	JR8	1-216-296-00	METAL CHIP 0 5% 1/8W	
C51	1-128-313-11	ELECT CHIP	10uF 20% 16V	JR9	1-216-864-11	METAL CHIP 0 5% 1/16W	
C52	1-128-313-11	ELECT CHIP	10uF 20% 16V	JR10	1-216-296-00	METAL CHIP 0 5% 1/8W	
C53	1-128-313-11	ELECT CHIP	10uF 20% 16V	JR14	1-216-864-11	METAL CHIP 0 5% 1/16W	
C54	1-135-217-21	TANTALUM CHIP	15uF 20% 6.3V	< COIL >			
C55	1-163-038-00	CERAMIC CHIP	0.1uF 25V	L11	1-410-999-11	INDUCTOR CHIP 3.3uH	
C56	1-128-535-21	ELECT CHIP	15uF 20% 6.3V	L12	1-410-381-11	INDUCTOR CHIP 10uH	
C57	1-163-038-00	CERAMIC CHIP	0.1uF 25V	< PHOTO INTERRUPTER >			
C58	1-128-535-21	ELECT CHIP	15uF 20% 6.3V	PH11	8-749-925-02	PHOTO INTERRUPTER SG-223	
C59	1-135-179-21	TANTAL. CHIP	2.2uF 20% 16V	< TRANSISTOR >			
C60	1-162-919-11	CERAMIC CHIP	22PF 5% 50V	Q11	8-729-141-48	TRANSISTOR 2SB624-BV345	
C61	1-162-919-11	CERAMIC CHIP	22PF 5% 50V	Q12	8-729-020-67	TRANSISTOR XN1A312-TX	
C62	1-162-921-11	CERAMIC CHIP	33PF 5% 50V	Q13	8-729-020-67	TRANSISTOR XN1A312-TX	
C63	1-128-313-11	ELECT CHIP	10uF 20% 16V	Q14	8-729-424-08	TRANSISTOR UN2111	
C64	1-128-313-11	ELECT CHIP	10uF 20% 16V	Q15	8-729-424-12	TRANSISTOR UN2112	
C65	1-163-091-00	CERAMIC CHIP	8PF 50V	Q21	8-729-807-33	TRANSISTOR 2SB1123-R	
C66	1-162-970-11	CERAMIC CHIP	0.01uF 10% 25V	Q22	8-729-424-59	TRANSISTOR UN2212	
C101	1-164-384-11	CERAMIC CHIP	130PF 5% 50V	Q23	8-729-424-59	TRANSISTOR UN2212	
C102	1-162-927-11	CERAMIC CHIP	100PF 5% 50V	Q24	8-729-424-08	TRANSISTOR UN2111	
C103	1-162-927-11	CERAMIC CHIP	100PF 5% 50V	Q25	8-729-015-39	TRANSISTOR DTC323TK	
C104	1-162-925-11	CERAMIC CHIP	68PF 5% 50V	Q26	8-729-015-39	TRANSISTOR DTC323TK	
C105	1-162-925-11	CERAMIC CHIP	68PF 5% 50V	< RESISTOR >			
C201	1-164-384-11	CERAMIC CHIP	130PF 5% 50V	R11	1-216-843-11	METAL CHIP 68K 5% 1/16W	
C202	1-162-927-11	CERAMIC CHIP	100PF 5% 50V	R12	1-216-843-11	METAL CHIP 68K 5% 1/16W	
C203	1-162-927-11	CERAMIC CHIP	100PF 5% 50V	R13	1-216-843-11	METAL CHIP 68K 5% 1/16W	
C204	1-162-925-11	CERAMIC CHIP	68PF 5% 50V	R14	1-216-843-11	METAL CHIP 68K 5% 1/16W	
C205	1-162-925-11	CERAMIC CHIP	68PF 5% 50V	R15	1-216-845-11	METAL CHIP 100K 5% 1/16W	
< CONNECTOR >							
CNJ11	1-764-438-21	CONNECTOR, FPC 17P		R16	1-216-845-11	METAL CHIP 100K 5% 1/16W	
CNJ12	1-764-440-21	CONNECTOR, FPC 26P		R17	1-216-024-00	METAL GLAZE 91 5% 1/10W	
CNJ13	1-764-439-21	CONNECTOR, FPC 11P		R18	1-216-073-00	METAL CHIP 10K 5% 1/10W	
CNP11	1-580-057-11	PIN, CONNECTOR 4P		R19	1-216-097-00	METAL CHIP 100K 5% 1/10W	
* CNP12	1-580-055-21	PIN, CONNECTOR 2P		R20	1-216-073-00	METAL CHIP 10K 5% 1/10W	
< DIODE >							
D11	8-719-801-78	DIODE 1SS184		R21	1-216-835-11	METAL CHIP 15K 5% 1/16W	
D12	8-719-801-78	DIODE 1SS184		R22	1-216-835-11	METAL CHIP 15K 5% 1/16W	
< IC >							
IC11	8-752-059-39	IC CXA1571N		R23	1-216-814-11	METAL CHIP 270 5% 1/16W	
IC12	8-752-367-16	IC CXD2515Q		R24	1-216-834-11	METAL CHIP 12K 5% 1/16W	
IC13	8-759-071-79	IC BA6297AFP		R25	1-216-075-00	METAL CHIP 12K 5% 1/10W	
IC14	8-752-846-45	IC CXP82220-012Q		R26	1-216-075-00	METAL CHIP 12K 5% 1/10W	
IC15	8-759-082-61	IC TC4W53FU		R27	1-216-071-00	METAL CHIP 8.2K 5% 1/10W	

Ref. No.	Part No.	Description			Remark
R28	1-216-073-00	METAL CHIP	10K	5%	1/10W
R29	1-216-047-00	METAL CHIP	820	5%	1/10W
R30	1-216-047-00	METAL CHIP	820	5%	1/10W
R31	1-216-833-11	METAL CHIP	10K	5%	1/16W
R32	1-216-839-11	METAL CHIP	33K	5%	1/16W
R33	1-216-827-11	METAL CHIP	3.3K	5%	1/16W
R34	1-216-827-11	METAL CHIP	3.3K	5%	1/16W
R35	1-216-833-11	METAL CHIP	10K	5%	1/16W
R36	1-216-857-11	METAL CHIP	1M	5%	1/16W
R37	1-216-845-11	METAL CHIP	100K	5%	1/16W
R38	1-216-833-11	METAL CHIP	10K	5%	1/16W
R39	1-216-841-11	METAL CHIP	47K	5%	1/16W
R40	1-216-994-11	METAL GLAZE	13K	5%	1/16W
R41	1-216-839-11	METAL CHIP	33K	5%	1/16W
R42	1-216-837-11	METAL CHIP	22K	5%	1/16W
R43	1-216-843-11	METAL CHIP	68K	5%	1/16W
R44	1-216-843-11	METAL CHIP	68K	5%	1/16W
R45	1-216-843-11	METAL CHIP	68K	5%	1/16W
R46	1-218-344-11	METAL GLAZE	7.5K	5%	1/16W
R47	1-218-344-11	METAL GLAZE	7.5K	5%	1/16W
R48	1-218-344-11	METAL GLAZE	7.5K	5%	1/16W
R49	1-218-344-11	METAL GLAZE	7.5K	5%	1/16W
R50	1-218-344-11	METAL GLAZE	7.5K	5%	1/16W
R51	1-218-344-11	METAL GLAZE	7.5K	5%	1/16W
R52	1-218-344-11	METAL GLAZE	7.5K	5%	1/16W
R53	1-218-344-11	METAL GLAZE	7.5K	5%	1/16W
R54	1-216-833-11	METAL CHIP	10K	5%	1/16W
R55	1-216-833-11	METAL CHIP	10K	5%	1/16W
R56	1-218-344-11	METAL GLAZE	7.5K	5%	1/16W
R57	1-218-344-11	METAL GLAZE	7.5K	5%	1/16W
R58	1-216-841-11	METAL CHIP	47K	5%	1/16W
R59	1-216-841-11	METAL CHIP	47K	5%	1/16W
R60	1-216-849-11	METAL CHIP	220K	5%	1/16W
R68	1-216-841-11	METAL CHIP	47K	5%	1/16W
R69	1-216-841-11	METAL CHIP	47K	5%	1/16W
R71	1-216-296-00	METAL CHIP	0	5%	1/8W
R72	1-216-150-00	METAL GLAZE	10	5%	1/8W
R73	1-216-150-00	METAL GLAZE	10	5%	1/8W
R74	1-216-841-11	METAL CHIP	47K	5%	1/16W
R75	1-216-081-00	METAL CHIP	22K	5%	1/10W
R76	1-216-081-00	METAL CHIP	22K	5%	1/10W
R77	1-216-081-00	METAL CHIP	22K	5%	1/10W
R78	1-216-081-00	METAL CHIP	22K	5%	1/10W
R79	1-216-841-11	METAL CHIP	47K	5%	1/16W
R80	1-216-841-11	METAL CHIP	47K	5%	1/16W
R81	1-216-081-00	METAL CHIP	22K	5%	1/10W
R82	1-216-081-00	METAL CHIP	22K	5%	1/10W
R83	1-216-815-11	METAL CHIP	330	5%	1/16W

Ref. No.	Part No.	Description			Remark
R84	1-216-815-11	METAL CHIP	330	5%	1/16W
R85	1-216-815-11	METAL CHIP	330	5%	1/16W
R86	1-216-829-11	METAL CHIP	4.7K	5%	1/16W
R87	1-216-829-11	METAL CHIP	4.7K	5%	1/16W
R88	1-216-829-11	METAL CHIP	4.7K	5%	1/16W
R89	1-216-829-11	METAL CHIP	4.7K	5%	1/16W
R90	1-216-073-00	METAL CHIP	10K	5%	1/10W
R91	1-216-041-00	METAL CHIP	470	5%	1/10W
R92	1-216-065-00	METAL CHIP	4.7K	5%	1/10W
R93	1-216-016-11	METAL GLAZE	43	5%	1/10W
R94	1-216-016-11	METAL GLAZE	43	5%	1/10W
R95	1-216-829-11	METAL CHIP	4.7K	5%	1/16W
R96	1-216-841-11	METAL CHIP	47K	5%	1/16W
R97	1-216-073-00	METAL CHIP	10K	5%	1/10W
R98	1-216-150-00	METAL GLAZE	10	5%	1/8W
R99	1-216-150-00	METAL GLAZE	10	5%	1/8W
R101	1-216-837-11	METAL CHIP	22K	5%	1/16W
R102	1-216-837-11	METAL CHIP	22K	5%	1/16W
R103	1-216-837-11	METAL CHIP	22K	5%	1/16W
R104	1-216-837-11	METAL CHIP	22K	5%	1/16W
R105	1-216-839-11	METAL CHIP	33K	5%	1/16W
R106	1-216-839-11	METAL CHIP	33K	5%	1/16W
R107	1-216-843-11	METAL CHIP	68K	5%	1/16W
R108	1-216-843-11	METAL CHIP	68K	5%	1/16W
R109	1-216-825-11	METAL CHIP	2.2K	5%	1/16W
R110	1-216-813-11	METAL CHIP	220	5%	1/16W
R111	1-216-845-11	METAL CHIP	100K	5%	1/16W
R201	1-216-837-11	METAL CHIP	22K	5%	1/16W
R202	1-216-837-11	METAL CHIP	22K	5%	1/16W
R203	1-216-837-11	METAL CHIP	22K	5%	1/16W
R204	1-216-837-11	METAL CHIP	22K	5%	1/16W
R205	1-216-839-11	METAL CHIP	33K	5%	1/16W
R206	1-216-839-11	METAL CHIP	33K	5%	1/16W
R207	1-216-843-11	METAL CHIP	68K	5%	1/16W
R208	1-216-843-11	METAL CHIP	68K	5%	1/16W
R209	1-216-825-11	METAL CHIP	2.2K	5%	1/16W
R210	1-216-813-11	METAL CHIP	220	5%	1/16W
R211	1-216-845-11	METAL CHIP	100K	5%	1/16W
		< VARIABLE RESISTOR >			
RV11	1-238-091-11	RES, ADJ, CERMET	22K		
RV12	1-238-091-11	RES, ADJ, CERMET	22K		
		< THERMISTOR >			
TH11	1-810-216-11	THERMISTOR, CHIP			
		< VIBRATOR >			
X11	1-579-938-21	VIBRATOR, CERAMIC (8.0MHz)			

SERVO

Ref. No.	Part No.	Description	Remark
X12	1-760-254-21	VIBRATOR, CERAMIC (16.9344MHz)	

		MISCELLANEOUS	

103	1-642-838-11	JACK FLEXIBLE BOARD	
123	1-765-013-11	CABLE, FLEXIBLE FLAT (26 CORE)	
201	1-751-193-11	CABLE, FLEXIBLE FLAT (6 CORE)	
203	1-648-660-11	CABLE, FLEXIBLE FLAT (11 CORE)	
204	1-643-083-11	MOTOR FLEXIBLE BOARD	
△254	8-848-308-01	DEVICE, OPTICAL KSS-315A	
356	1-751-792-11	CORD (WITH CONNECTOR) (CDX-45RF)	
F1	1-532-419-00	FUSE (3A 25V)	
F2	1-532-360-XX	FUSE (1A)	
J1	9-905-317-01	ANT CABLE (J) (RF IN)	
M601	X-3362-325-2	MOTOR ASSY (EJECT)	
M901	X-3367-782-1	SLED MOTOR ASSY	
M902	A-3252-844-A	MOTOR (SP) ASSY	
P1	9-905-316-01	ANT CABLE (J) (RF OUT)	
PRG401	1-454-580-21	SOLENOID, PLUNGER	
S901	1-570-771-11	SWITCH (LIMIT)	

ACCESSORIES & PACKING MATERIALS

	1-590-519-21	CORD (WITH CONNECTOR) (UNILINK CABLE)	
	1-690-743-11	CORD, CONNECTION (RCA PIN CORD)	
*	3-389-537-01	CUSHION (UPPER)	
*	3-389-538-01	CUSHION (LOWER)	
*	3-704-132-01	LABEL (K), SELF (CDX-45RF)	
	3-757-782-11	MANUAL, INSTRUCTION (English, French, German, Spanish, Chinese) (CDX-45:AE/UK, E)	
	3-757-782-21	MANUAL, INSTRUCTION (English, French) (CDX-45:US, Canadian)	
	3-757-782-41	MANUAL, INSTRUCTION (Dutch, Swedish, Italian, Portuguese) (CDX-45:AE/UK, G)	
	3-757-782-51	MANUAL, INSTRUCTION (Danish, Finnish) (CDX-45:AE)	
	3-757-957-11	MANUAL, INSTRUCTION (English, French, German, Dutch, Italian) (CDX-45RF:G/UK)	
	3-757-957-21	MANUAL, INSTRUCTION (English) (CDX-45RF:US, Canadian)	
	3-757-957-31	MANUAL, INSTRUCTION (French) (CDX-45RF:Canadian)	
	3-757-957-41	MANUAL, INSTRUCTION (Spanish, Chinese, English) (CDX-45RF:E)	
	3-757-962-11	MANUAL, INSTRUCTION, INSTALL (English, French, German, Dutch, Italian) (CDX-45RF:G/UK)	

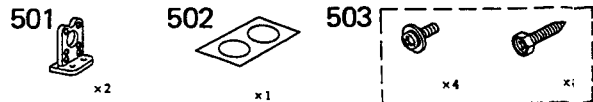
Ref. No.	Part No.	Description	Remark
	3-757-962-41	MANUAL, INSTRUCTION, INSTALL (English, Spanish, Chinese) (CDX-45RF:E)	
*	3-909-018-01	INDIVIDUAL CARTON (CDX-45)	
*	3-909-517-01	INDIVIDUAL CARTON (CDX-45RF)	
	4-875-574-00	SHEET, PROTECTION	
*	4-885-838-00	LABEL, CLASS 1 (CDX-45:AE/UK)	
	X-3368-040-1	MAGAZINE ASSY (4)	

HARDWARE LIST

#1	7-621-770-67	SCREW +PTT 2.6X6 (S)
#2	7-621-255-40	SCREW +BVTT 2X6 (S)
#3	7-685-103-19	SCREW +P 2X5 TYPE2 NON-SLIT
#5	7-621-255-20	SCREW +PTT 2X4 (S)
#6	7-685-782-01	SCREW +PTT 2X5 (S)
#7	7-621-255-10	SCREW +P 2X3
#8	7-627-554-07	SCREW, PRECISION +P 2X2.2
#9	7-685-104-19	SCREW +P 2X6 TYPE2 NON-SLIT
#10	7-685-103-14	SCREW +PTP 2X5
#11	7-624-104-04	STOP RING 2.0, TYPE -E
#12	7-627-554-37	SCREW, PRECISION +P 2X1.8 TYPE1
#13	7-624-102-04	STOP RING 1.5, TYPE -E
#14	7-627-553-27	SCREW, PRECISION +P 2X2.5
#15	7-621-255-55	SCREW +PTT 2X8 (S)
#16	7-621-259-25	SCREW +P 2.6X4
#17	7-685-105-19	TAPPING +P 2X8 NON-SLIT
#19	7-627-852-17	+P 1.7X4
#20	7-685-646-79	SCREW +BVTP 3X8, TYPE 2
#21	7-682-547-04	SCREW +PTT 3X6
#22	7-682-549-04	SCREW +PTT 3X10
#23	7-685-852-01	SCREW +BVTT 2X5

MOUNTING HARDWARE

*	501	3-375-508-11	BRACKET (300)
	502	3-375-509-21	LABEL (FITTING HOLE)
*	503	X-3364-512-1	SCREW ASSY



The components identified by mark △ or dotted line with mark △ are critical for safety. Replace only with part number specified.	Les composants identifiés par une marque △ sont critiques pour la sécurité. Ne les remplacer que par une pièce portant le numéro spécifié.
--	--

www.manualscenter.com