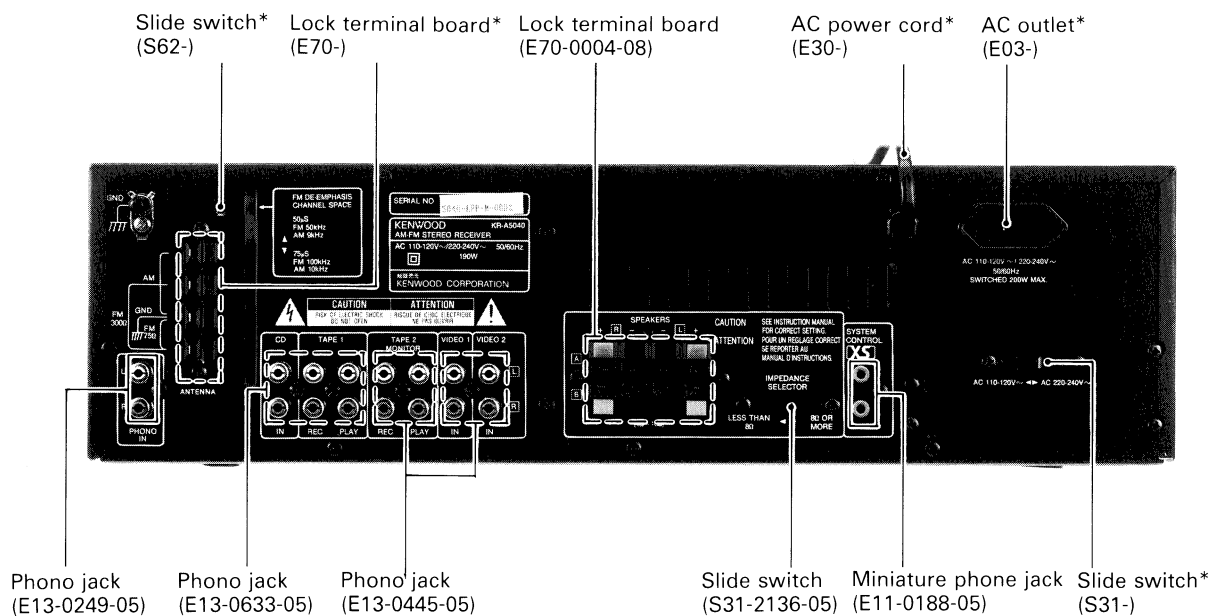
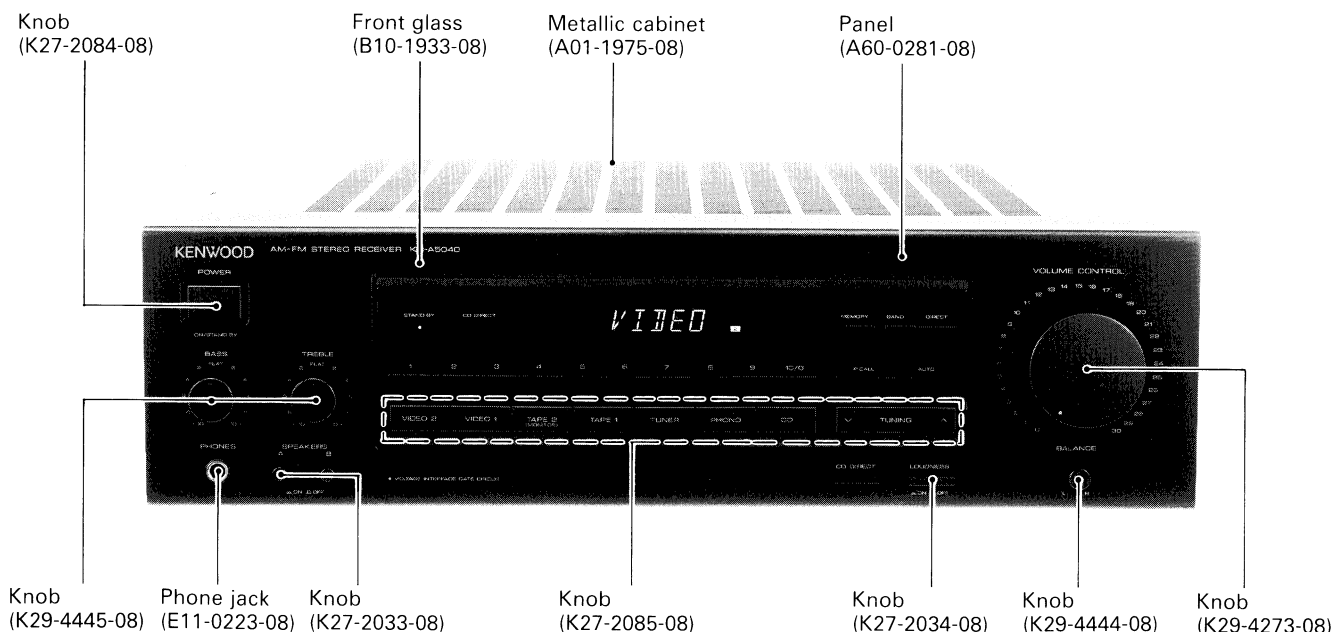


# KR-A5040

## SERVICE MANUAL

©1992-2 PRINTED IN JAPAN  
B51-4512-00(S)3949



MC-Service

\* Refer to parts list on page 24.

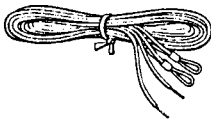
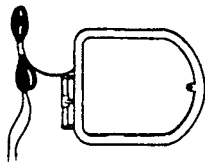
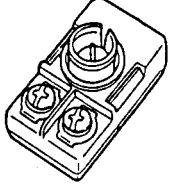

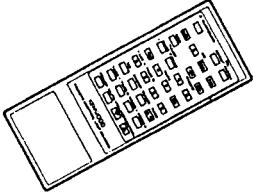

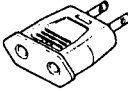
# KR-A5040

## CONTENTS/ACCESSORIES

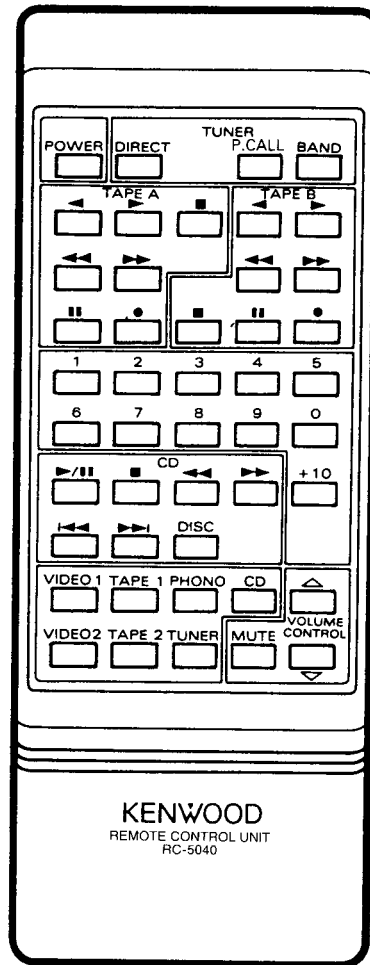
### Contents

CONTENTS/ACCESSORIES .....	2	WIRING DIAGRAM .....	10
REMOTE CONTROL OPERATION .....	3	PC BOARD .....	11
DISASSEMBLY FOR REPAIR .....	4	SCHEMATIC DIAGRAM .....	15
BLOCK DIAGRAM .....	5	EXPLODED VIEW .....	23
CIRCUIT DESCRIPTION .....	6	PARTS LIST .....	24
ADJUSTMENT .....	9	SPECIFICATIONS .....	Back cover

### Accessories

FM indoor antenna ..... 1 (T90-0176-05) 	AM loop antenna ..... 1 (T90-0184-08) 	75 $\Omega$ /300 $\Omega$ antenna adaptor ..... 1 (T,E type only) (T90-0185-05) 
Loop antenna holder .... 1 (J19-2815-04) 	Remote control unit ... 1 (A70-0908-08) 	Batteries ("AA" or "R6") ..... 2 
AC plug adaptor ..... 1 (M type only) (E03-0115-05) 		

## REMOTE CONTROL OPERATION



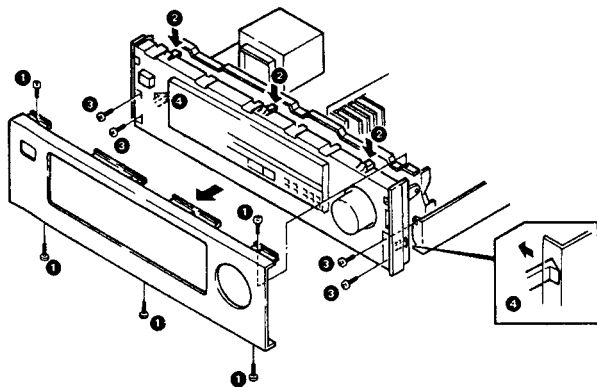
# KR-A5040

## DISASSEMBLY FOR REPAIR

**Note:** Remove the case before starting.

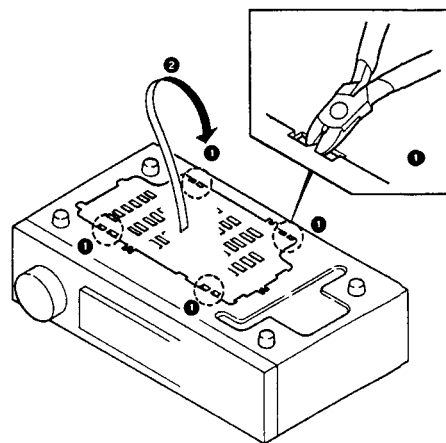
### Removing the front panel and sub-panel

1. Remove the five screws **①** and three claws **②**, then remove the front panel.
2. Remove the four screws **③** and two claws **④**, then remove the sub-panel.



### How to remove the repairing chassis

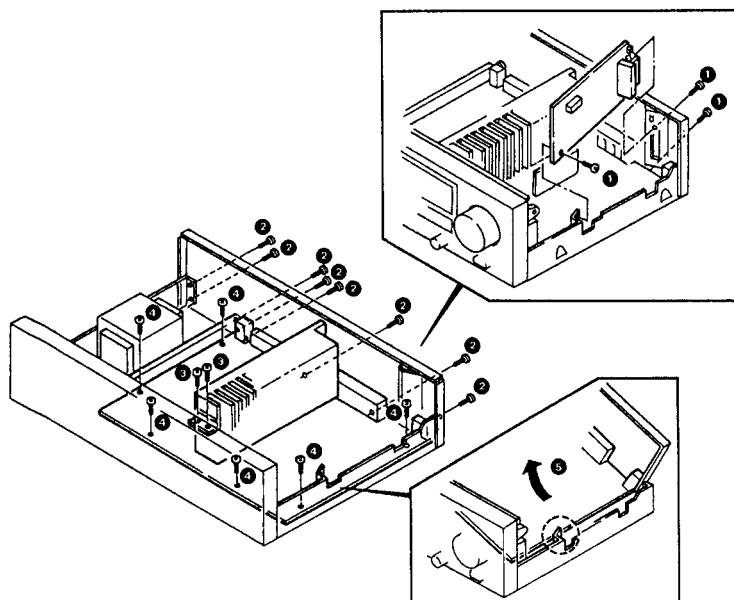
1. Cut the four parts **①** of the repairing chassis. Remove the repairing chassis from main chassis.



### Removing the main PC board

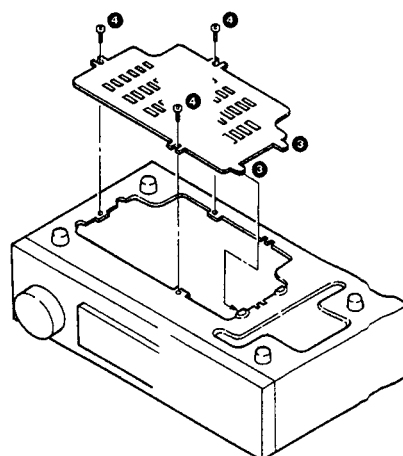
The main PC board can be removed even if the front panel and sub-panel have not been.

1. Remove the three screws **①**.
2. Remove the eight screws **②**.
3. Remove the two screws **③**.
4. Remove the six screws **④**.
5. Remove the main PC board in the direction of arrow **⑤**.

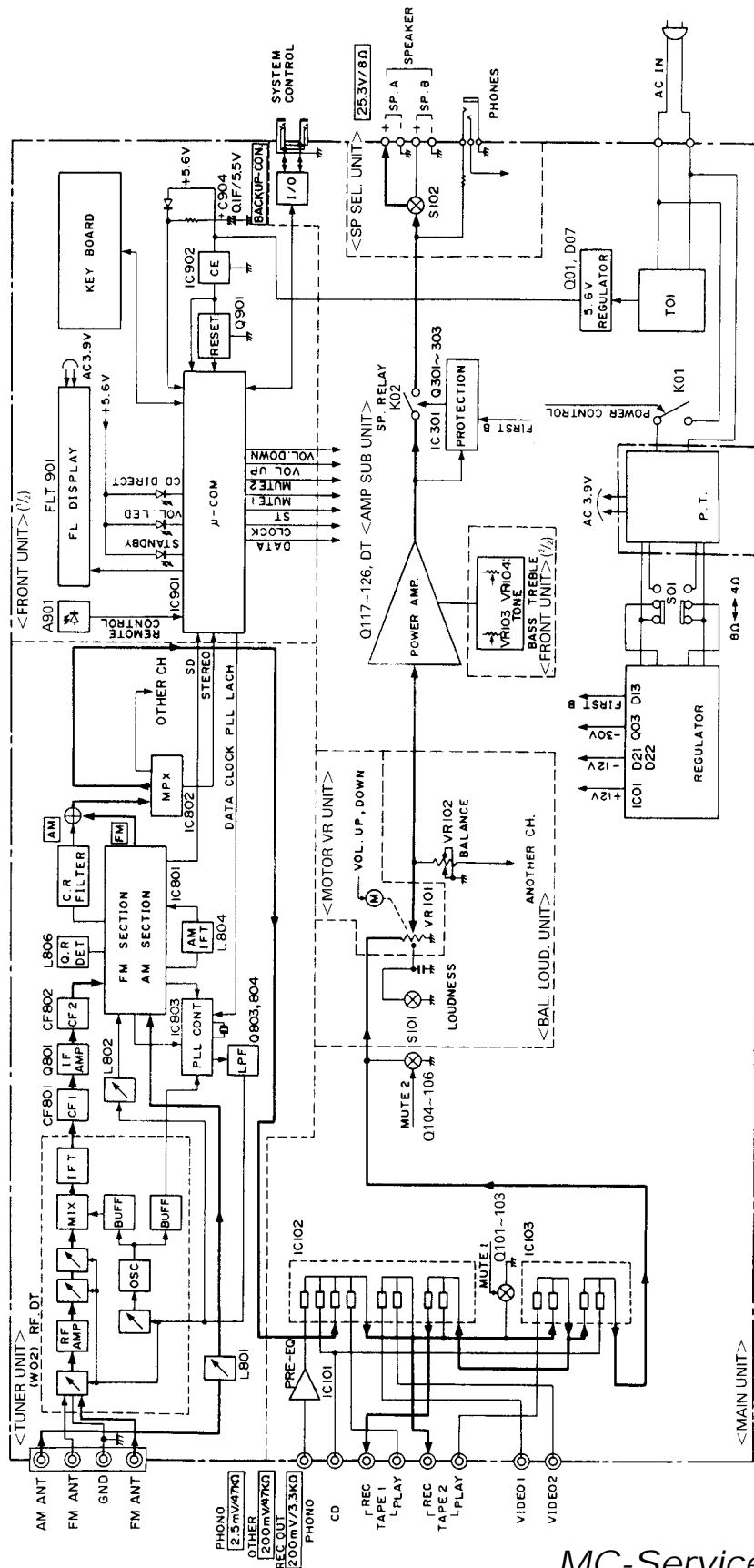


### After repair

2. Turn the repairing chassis 180 degrees in the arrow direction **②**.
3. Insert the two claws **③** into main chassis.
4. Lock to the main chassis by three screws (M3 × 6) **④**.



## BLOCK DIAGRAM



MC-Service

# KR-A5040

## CIRCUIT DESCRIPTION

### 1-1. Initial Setting

#### 1) Function initial setting

Last channel memory ..... FM : 87.5MHz  
 ..... AM (K) : 530kHz  
 ..... AM (E) : 531kHz  
 Tuning mode ..... Auto  
 Band ..... FM1  
 Input selector ..... Tuner  
 Video monitor ..... VIDEO 1  
 CD DIRECT ..... OFF  
 TAPE 2 monitor ..... OFF  
 Muting ..... OFF  
 Power ..... OFF

#### Frequency memorized for each PRESET channel when the memory is cleared (Test frequency)

BAND	FM1		FM2		AM		
	ch	K	E	K	E	K	E
1	87.5MHz	87.5MHz	87.5MHz	87.5MHz	530KHz	531KHz	
2	89.1	89.1	//	//	630	630	
3	90.0	90.0	//	//	990	990	
4	92.0	92.0	//	//	1440	1440	
5	94.0	94.0	//	//	1610	1602	
6	98.0	98.0	//	//	1700*	531	
7	100.1	100.1	//	//	530	531	
8	102.0	102.0	//	//	530	531	
9	106.0	106.0	//	//	530	531	
10	108.0	108.0	//	//	530	531	

\* 1700 kHz is set for WIDE only.

#### 2) Microprocessor output port initial setting

Any figure in ( ) is a pin number.

VOL. LED (18) ..... L  
 POWER (24) ..... L  
 MUTE 1 (25) ..... H  
 MUTE 2 (26) ..... H  
 CDDL (27) ..... H  
 VOL. DOWN (1) ..... L  
 VOL. UP (63) ..... L

The initial setting is performed in a following event :

1. When backup memory data is destroyed when reset is applied to the microprocessor.
2. When the power cord is plugged in to the AC wall outlet while pressing the TUNER key.

### 1-2. Test Mode Setting

#### 1) Method of entering the test mode

1. While pressing the CD key, plug the power cord to the AC wall outlet. When the test mode is entered, the FL tube display all lights.

#### 2) Method of canceling the test mode

1. Unplug the power cord from the AC wall outlet once.
2. Send the reset signal to the RESET pin or some other means to reset the microprocessor.

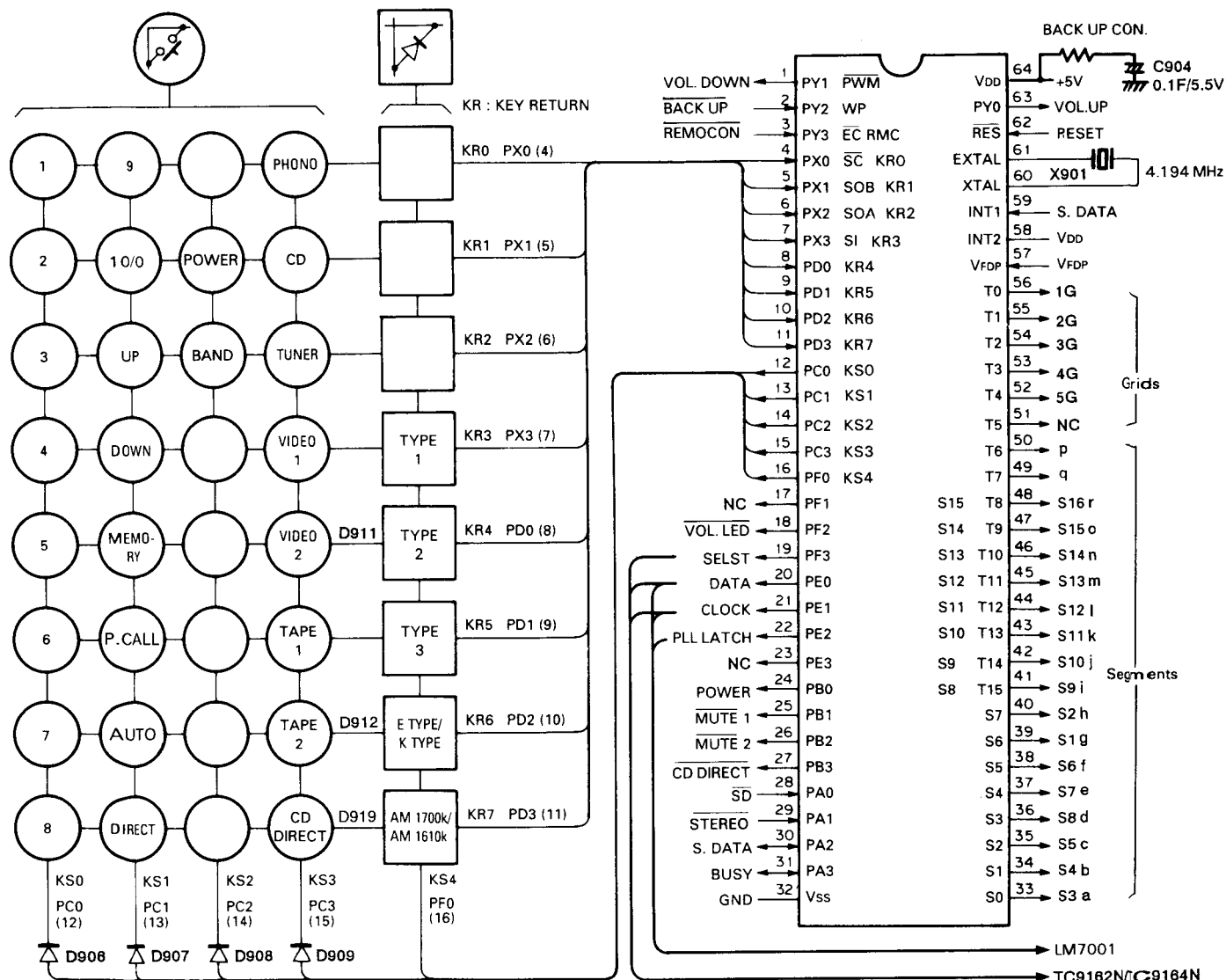
#### 3) Contents of test mode

1. When the test mode is entered, the FL tube display all lights. This all lighting continues unless a effective remote control serial code or the test mode is canceled.
2. The test frequency is stored in memory for each preset channel. (For each frequency to be stored in memory, refer to its associated listing.)
3. The test mode is different from the normal mode in the following operations:
  - When the tuner UP or DOWN key is pressed when a mode other than TUNER has been selected, the potentiometer is increased or decreased. Once one of these keys has been pressed, the operation continues even if the key is released. It stops automatically if the AUTO or POWER key is pressed or if the AUTO or POWER key is not pressed for 16 seconds.

## CIRCUIT DESCRIPTION

### 2. CXP5016-531S: Receiver microprocessor (FRONT UNIT: IC901)

#### 2-1. Key matrix connections



#### 2-2. Setting of destinations, models and specifications depending upon diode key matrix

The setting of destinations, models and specifications is made according to the initial set diode key matrix.

In the following, "1" means "with diodes" and "0", "without diodes".

*MC-Service*

##### 1) Model Set SW

Model set SW			MODEL	Function				
TYPE 1	TYPE 2	TYPE 3		TUNER BAND	DOLBY SURROUND	VOL. CONT with Motor	Switched VIDEO1, 2	REMOCON
0	0	1	KR-V6040 (OTHER)	FM1→FM2→AM	Provided	Provided	Provided	Provided
1	0	1	KR-V6040 (E TYPE)	↑	Not provided	↑	↑	↑
0	1(D911)	0	KR-A5040	↑	↑	↑	Not provided	↑
0	0	0	KR-A4040	FM1, FM2, AM	↑	Not provided	↑	Not provided

# KR-A5040

## CIRCUIT DESCRIPTION

**2) Destination set SW: E type/K type** (0: Without diode  
1: With diode (D912 or Q902 ON state))

Destination set SW	Destination	BAND	Reception frequency band	Channel space	Reference frequency
0	K	FM	87.5~108.0 MHz	100 kHz	50 kHz
		AM	530~1610 kHz 530~1700 kHz	10 kHz	10 kHz
1	E	FM	87.5~108.0 MHz	50 kHz	50 kHz
		AM	531~1602 kHz	9 kHz	9 kHz

**3) Specification set SW: AM1700k/AM1610k**

With destination set SW at "0": Effective only for K type

Specification set SW	AM reception frequency band
0	530~1610 kHz
1	530~1700 kHz

(0: Without diode  
1: With diode (D919))

### 2-3. Pin description

Pin No.	Pin name	I/O	Name	Function
1	PY1	O	VRDOWN	Potentiometer down operation control. High: V down Low: Normal state
2	PY2	I	BACKUP	Backup (AC outlet off) detection. High: Normal state Low: AC outlet off When the power is switched on, high is input. When low is input, the microprocessor stops clock generation and enters the backup state. When the signal changes from low to high, the backup state changes to the normal state.
3	RMC	I	REMOCON	REMOCON signal input. active Low
4~11	PX0~PX3 PD0~PD3	I	KR0~KR7	KEY RETURN signal input. High: There is input. Low: There is no input.
12~16	PC0~PC3 PF0	O	KS0~KS4	KEY SCAN signal output. Normally high is output. Key scan is performed when KEY is ON.
17	PF1	O	—	N.C.
18	PF2	O	VOLLED	Volume LED signal output. High: OFF Low: ON
19	PF3	O	SELST	Data latch signal output to TC9162/TC9164. Data is latched on the rising edge.
20	PE0	O	DATA	LM7001 (PLL IC), TC9162/TC9164 (selector IC) control serial data output. Data is latched on the rising edge of the clock.
21	PE1	O	CLOCK	LM7001, TC9162/TC9164 control serial data transfer shift clock output. Data is latched on the rising edge of the clock.
22	PE2	O	PLLLT	CE signal output to LM7001. When the signal is high, LM7001 is enabled.
23	PE3	O	—	N.C.
24	PB0	O	POWER	Power supply circuit relay on/off control. High: ON Low: OFF
25	PB1	O	MUTE 1	TAPE 2 REC OUT mute control. High: MUTE OFF Low: MUTE ON
26	PB2	O	MUTE 2	LINE OUT mute control. High: MUTE OFF Low: MUTE ON
27	PB3	O	CDDL	CD DIRECT LED signal output. High: OFF Low: ON
28	PA0	I	SD	Tuner tuned detection. High: NO SIGNAL Low: TUNED
29	PA1	I	STEREO	Tuner FM stereo detection. High: MONO Low: Stereo
30	PA2	I/O	SDATA	This pin and serial data pin 59 are shorted.
31	PA3	I/O	BUSY	Serial busy signal input/output.
32	Vss	—	GND	GND.
33~50	S0~S15, T7, T6	O	Sa~So, Sp~Sr	Fluorescent display segment drive signal output.
51	T5	O	—	N.C.
52~56	T4~T0	O	G5~G1	Fluorescent display digit drive signal output.
57	V <sub>FDP</sub>	—	V <sub>FDP</sub>	Fluorescent display output driver circuit power supply.
58	INT2	I	—	Unused pin. This pin and GND are shorted.
59	INT1	I	SDATA	This pin and serial data input pin 30 are shorted.
60	XTAL	O	XTAL	Clock generation circuit output.
61	EXTAL	I	EXTAL	Clock generation circuit input.
62	RST	I	RESET	Reset signal input.
63	PY0	O	VRUP	Volume up operation control. High: UP Low: Normal state
64	V <sub>DD</sub>	—	V <sub>DD</sub>	+5 V power supply.



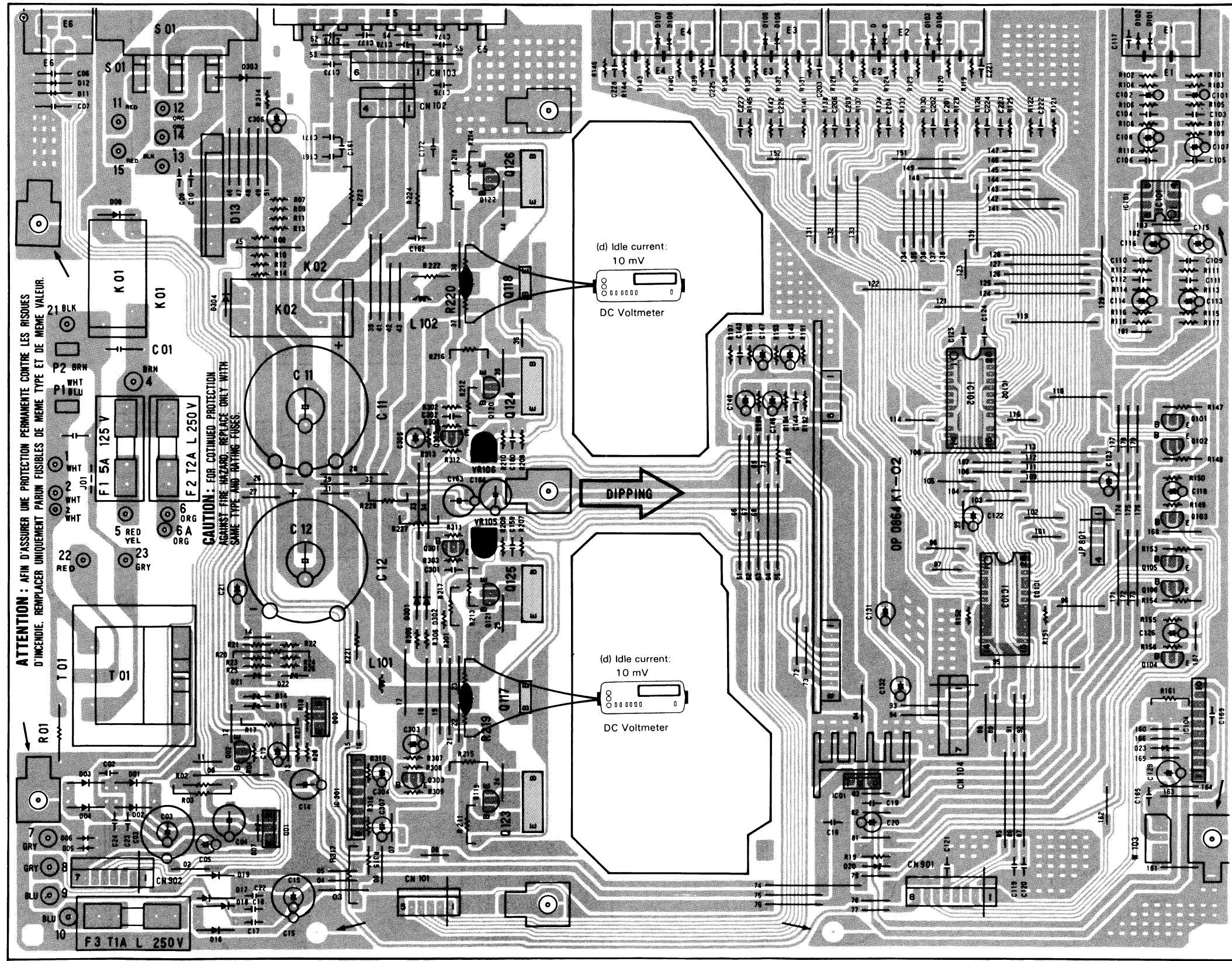




**PC BOARD (Component side view)**  
(MAIN UNIT)

SYSTEM CONTROL 8Ω OR MORE ← 8Ω

L R VIDEO VIDEO TAPE 2 TAPE 1 PLAY REC PLAY REC CD PHONO



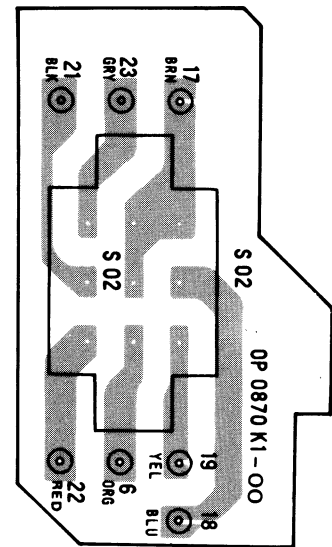
**ATTENTION :** AFIN D'ASSURER UNE PROTECTION PERMANENTE CONTRE LES RISQUES D'INCENDIE. REMPLACER UNIQUEMENT PAR UN FUSIBLE DE MEME TYPE ET DE MEME VALEUR.

**CAUTION :** FOR CONTINUED PROTECTION AGAINST FIRE HAZARD, REPLACE ONLY WITH SAME TYPE AND RATING FUSES.

F1 5A 125V  
F2 T2A L 250V  
F3 T1A L 250V

(MAIN UNIT)

(POWER SEL. UNIT)

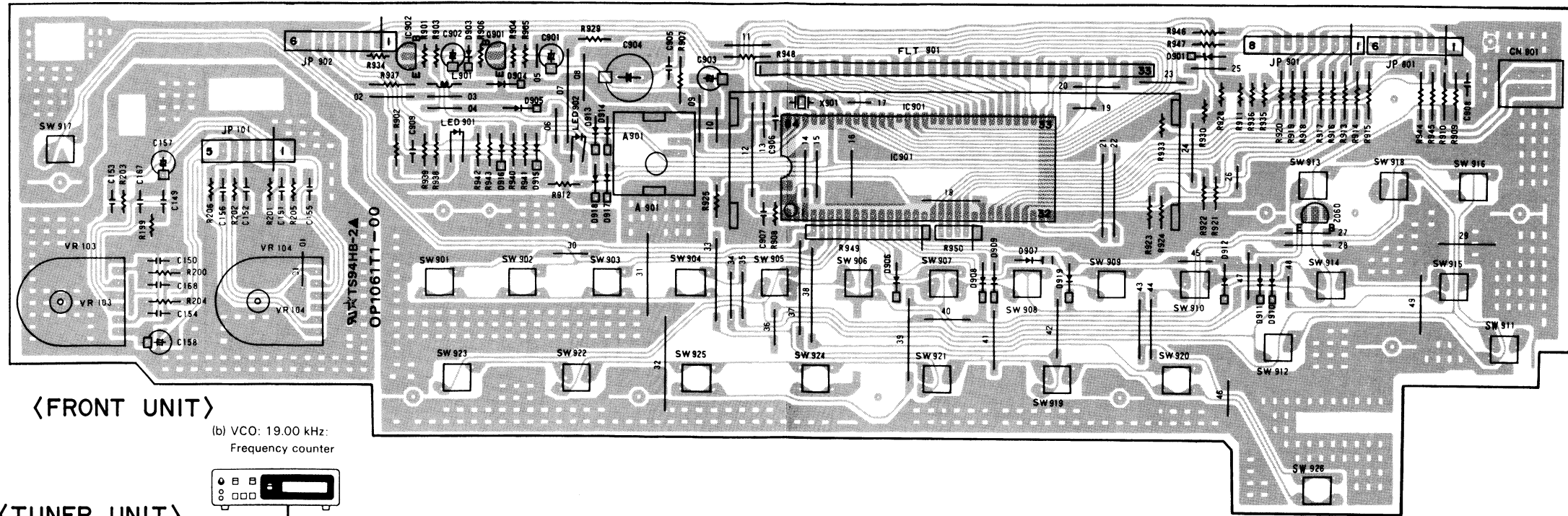


AC 110-120V ~ 220-240V ~

MC-Service

Refer to the schematic diagram for the values of resistors and capacitors.

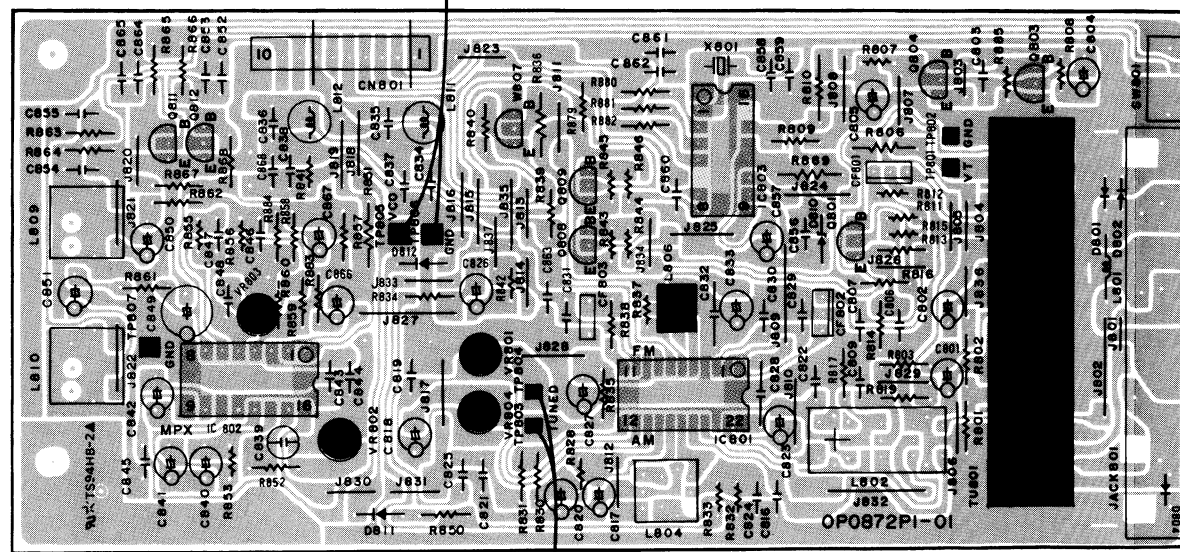
# PC BOARD (Component side view)



<FRONT UNIT>

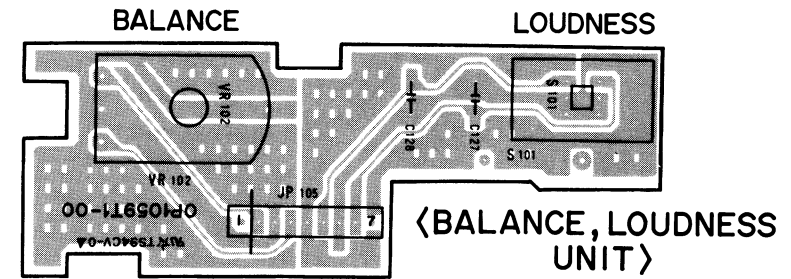
(b) VCO: 19.00 kHz:  
Frequency counter

<TUNER UNIT>



50 μS  
FM 50kHz  
AM 9kHz  
75 μS  
FM 100kHz  
AM 10kHz

DE EMPHASIS  
CHANNEL SPACE



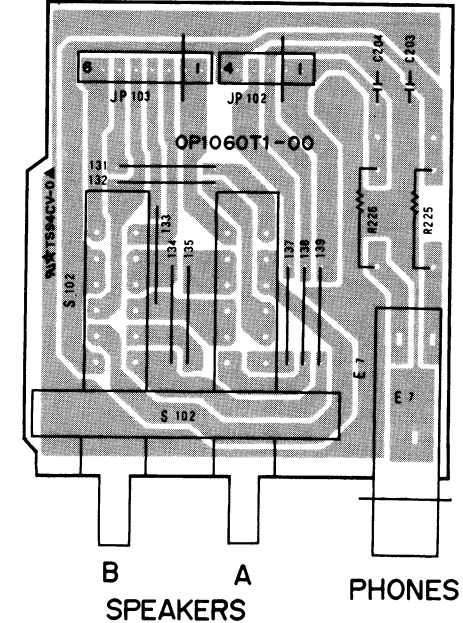
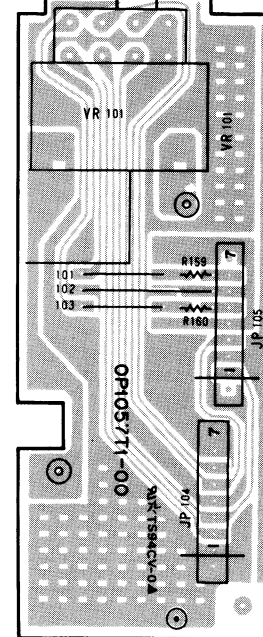
BALANCE

LOUDNESS

<BALANCE, LOUDNESS UNIT>

VOLUME CONTROL

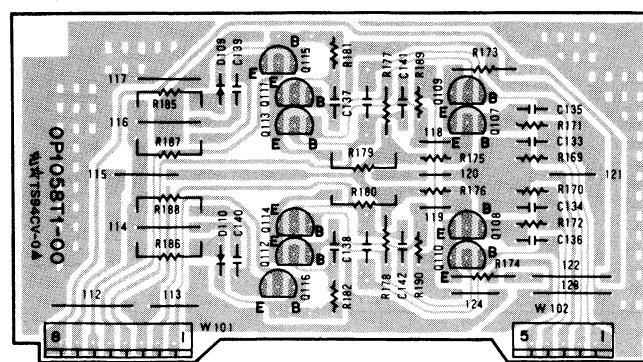
<MOTOR VR UNIT> <SPEAKER SELECTION UNIT>



B A  
SPEAKERS

PHONES

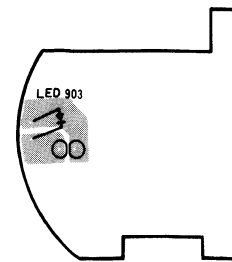
<AMP SUB UNIT>



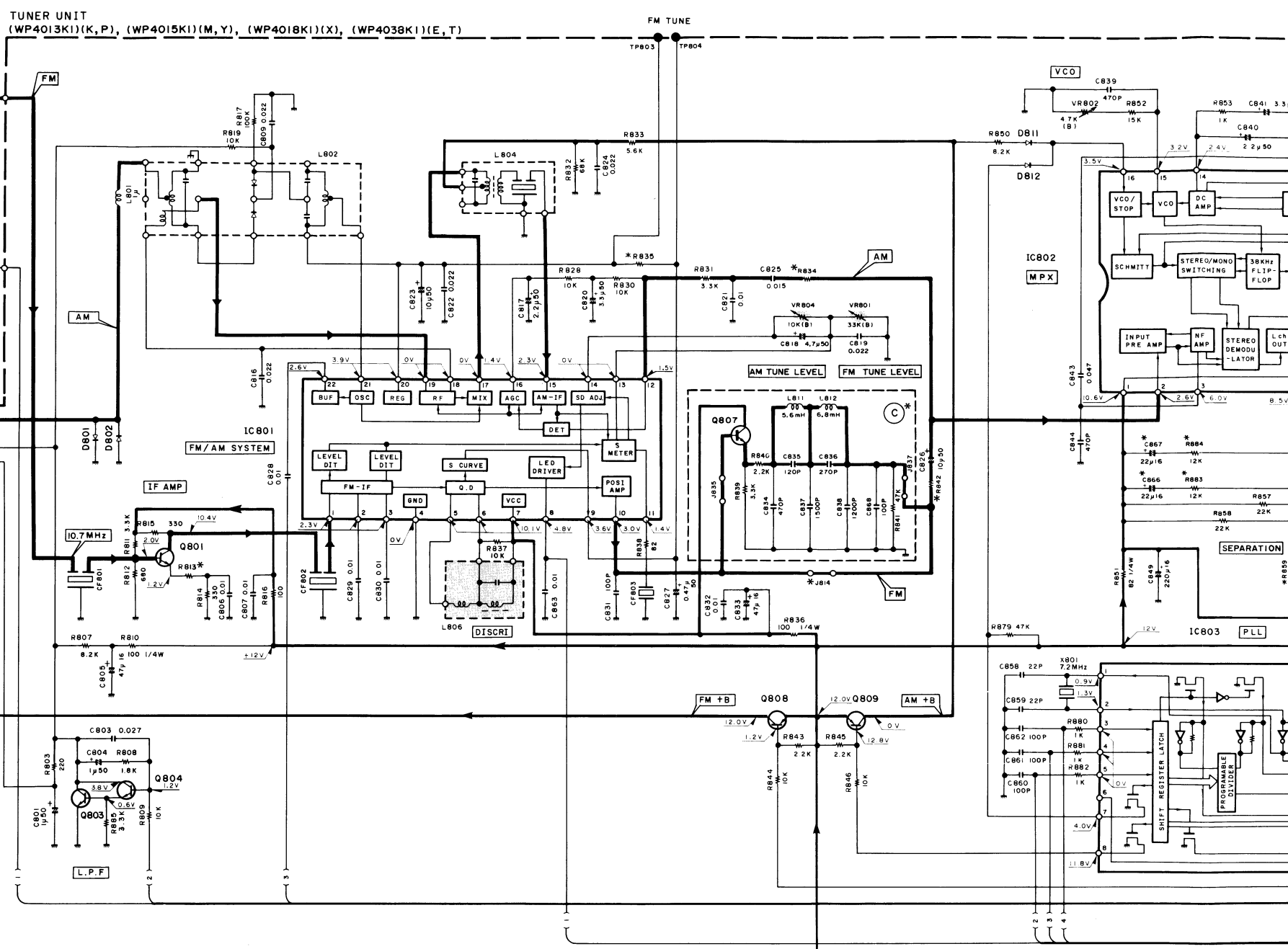
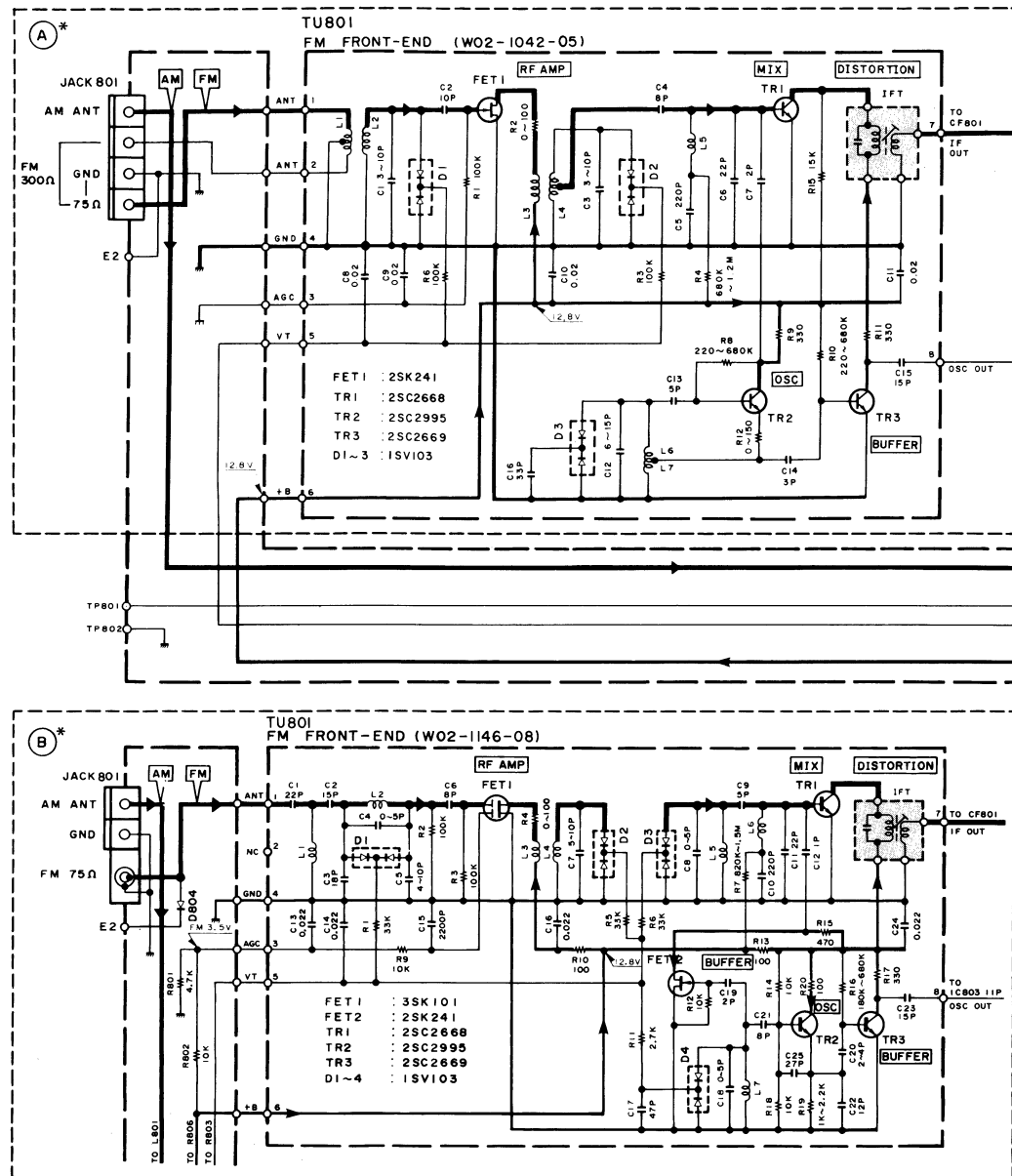
(a) DISCRIMINATOR: 0 V

DC Voltmeter

<VR INDICATOR UNIT>



MC-Service



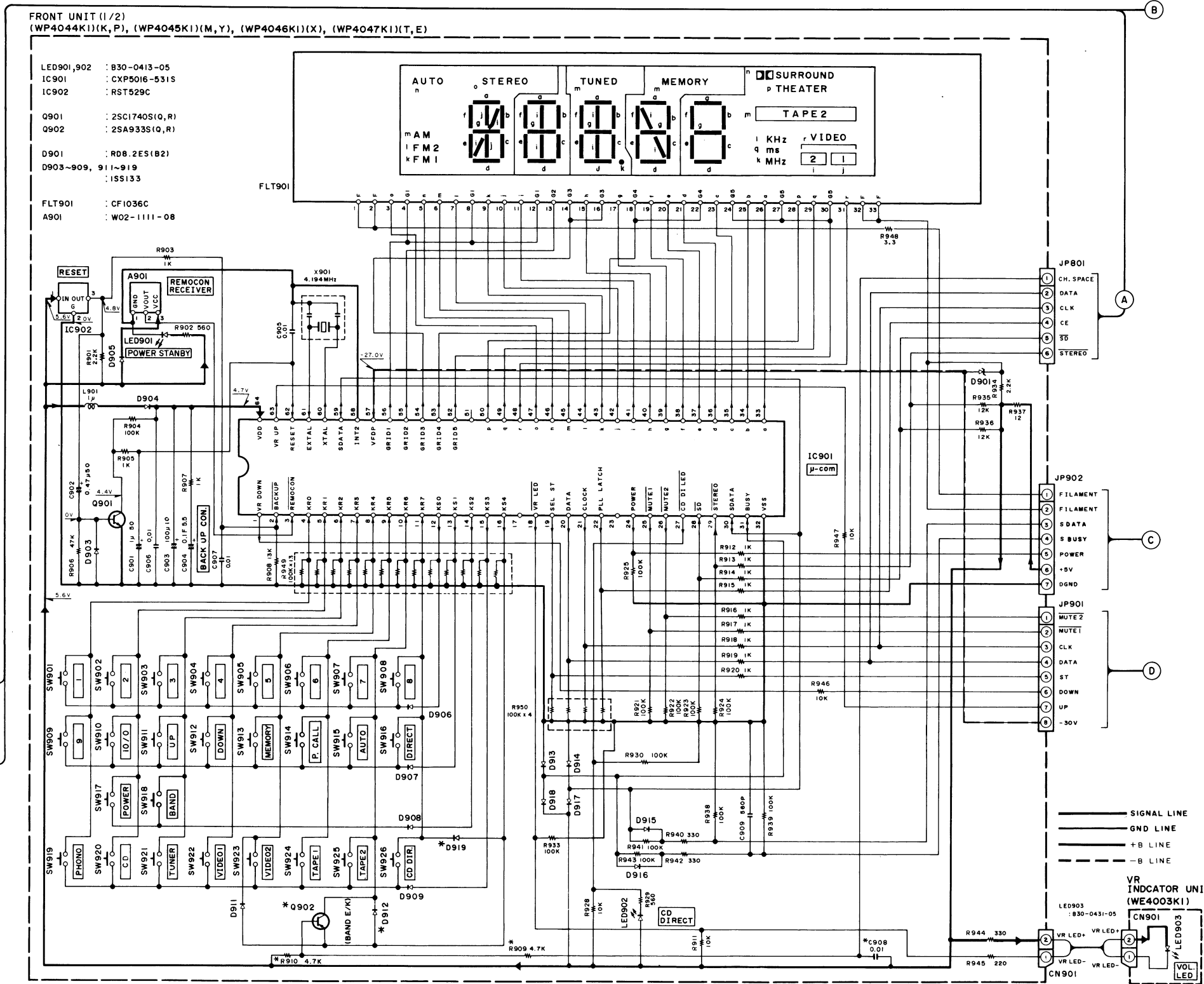
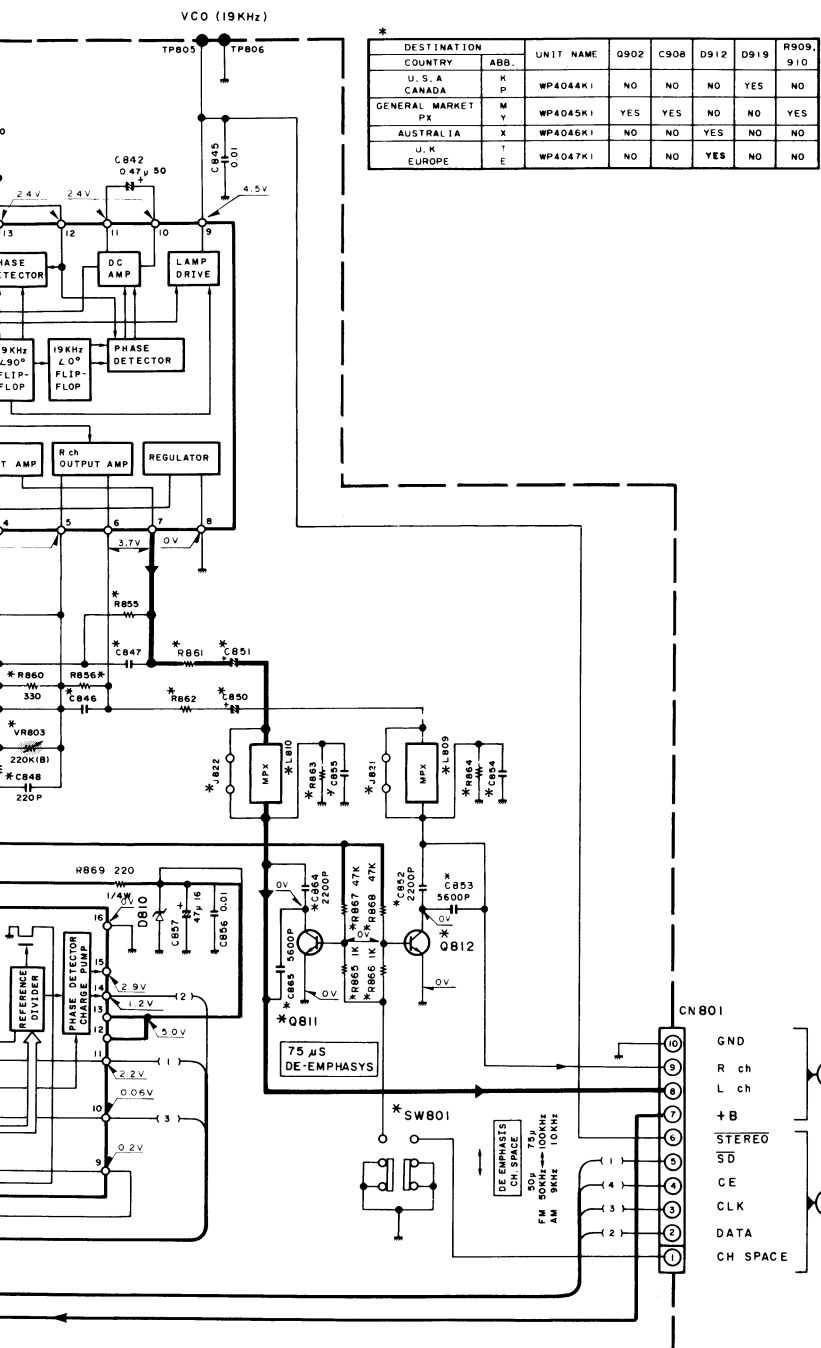
- IC801 : LA1265
- IC802 : AN7470
- IC803 : LM7001
- Q801 : 2SC1923
- Q803, 807, 811, 812 : 2SC1740S(Q,R)
- Q804 : 2SC1845(F,E)
- Q808, 809 : 2SA933S(Q,R)
- D801, 802, 804, 811, 812 : 1SS133
- D810 : RD5.1ES(B2)

\* DESTINATION

DESTINATION	ABB.	UNIT NAME	D811, 812	R813	R834	R855	R842	R855, 856, 883, 884	R859, 883, 884	R860	R861, 862, 864	R865, 866, 867	R846, 847, 866, 867	C846, 851	C850, 855	C854, 855, 864, 865	L808, 810, 821, 822	J814, 821, 822	VR803, 801	(A)	(C)	
U.S.A	K	WP4013K1	NO	56	36K	15K	39K	51K	NO	YES	3.6K	39K	NO	150P	NO	1.50	0.022	NO	NO	YES	NO	NO
CANADA	P	WP4013K1	NO	56	36K	15K	39K	51K	NO	YES	3.6K	39K	NO	150P	NO	1.50	0.022	NO	NO	YES	NO	NO
GENERAL MARKET	M	WP4015K1	YES	56	36K	39K	39K	51K	NO	YES	3.6K	39K	YES	150P	NO	1.50	0.015	YES	NO	YES	NO	YES
PX	Y	WP4015K1	NO	56	36K	39K	39K	51K	NO	YES	3.6K	39K	NO	150P	NO	1.50	0.015	NO	NO	YES	NO	YES
AUSTRALIA	X	WP4018K1	NO	56	36K	39K	39K	51K	NO	YES	3.6K	39K	NO	150P	NO	1.50	0.015	NO	NO	YES	NO	YES
U.K	T	WP4038K1	NO	22	47K	39K	47K	47K	YES	NO	3.3K	3.3K	NO	1000P	YES	2.2, 50	4700P	NO	YES	NO	NO	YES
EUROPE	E	WP4038K1	NO	22	47K	39K	47K	47K	YES	NO	3.3K	3.3K	NO	1000P	YES	2.2, 50	4700P	NO	YES	NO	NO	YES

MC-Service





DC voltages are as measured with a high impedance voltmeter. Values may vary slightly due to variations between individual instruments or/and units.

Les tensions c.c. doivent être mesurées avec un voltmètre à haute impédance. Les valeurs peuvent différer légèrement du fait des variations inhérentes aux appareils et aux instruments de mesure individuels.

Die angegebenen Gleichspannungswerte wurden mit einem hochohmigen Spannungsmesser gemessen. Dabei schwanken die Meßwerte aufgrund von Unterschieden zwischen einzelnen Instrumenten oder Geräten u. U. geringfügig.

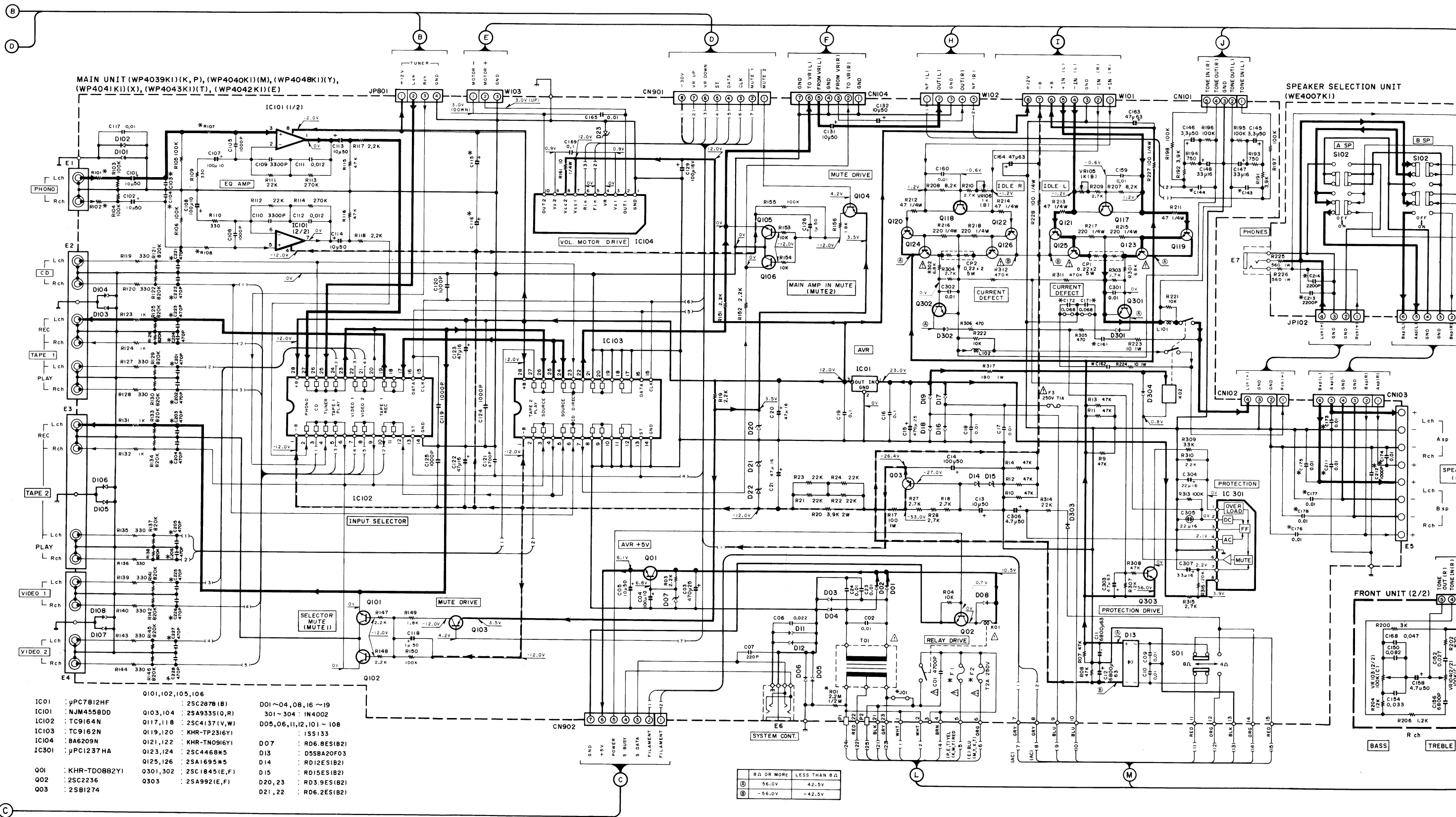
**CAUTION:** For continued safety, replace safety critical components only with manufacturer's recommended parts (refer to parts list). ⚠ Indicates safety critical components. To reduce the risk of electric shock, leakage-current or resistance measurements shall be carried out (exposed parts are acceptably insulated from the supply circuit) before the appliance is returned to the customer.

MC-Service

KR-A5040 (K) (I/2)

Y05-2640-10

**KR-A5040**  
**KENWOOD**



MAIN UNIT (WP4039K1)(K,P), (WP4040K1)(M), (WP4048K1)(Y),  
(WP4041K1)(X), (WP4043K1)(T), (WP4042K1)(E)

SPEAKER SELECTION UNIT  
(WE4007K1)

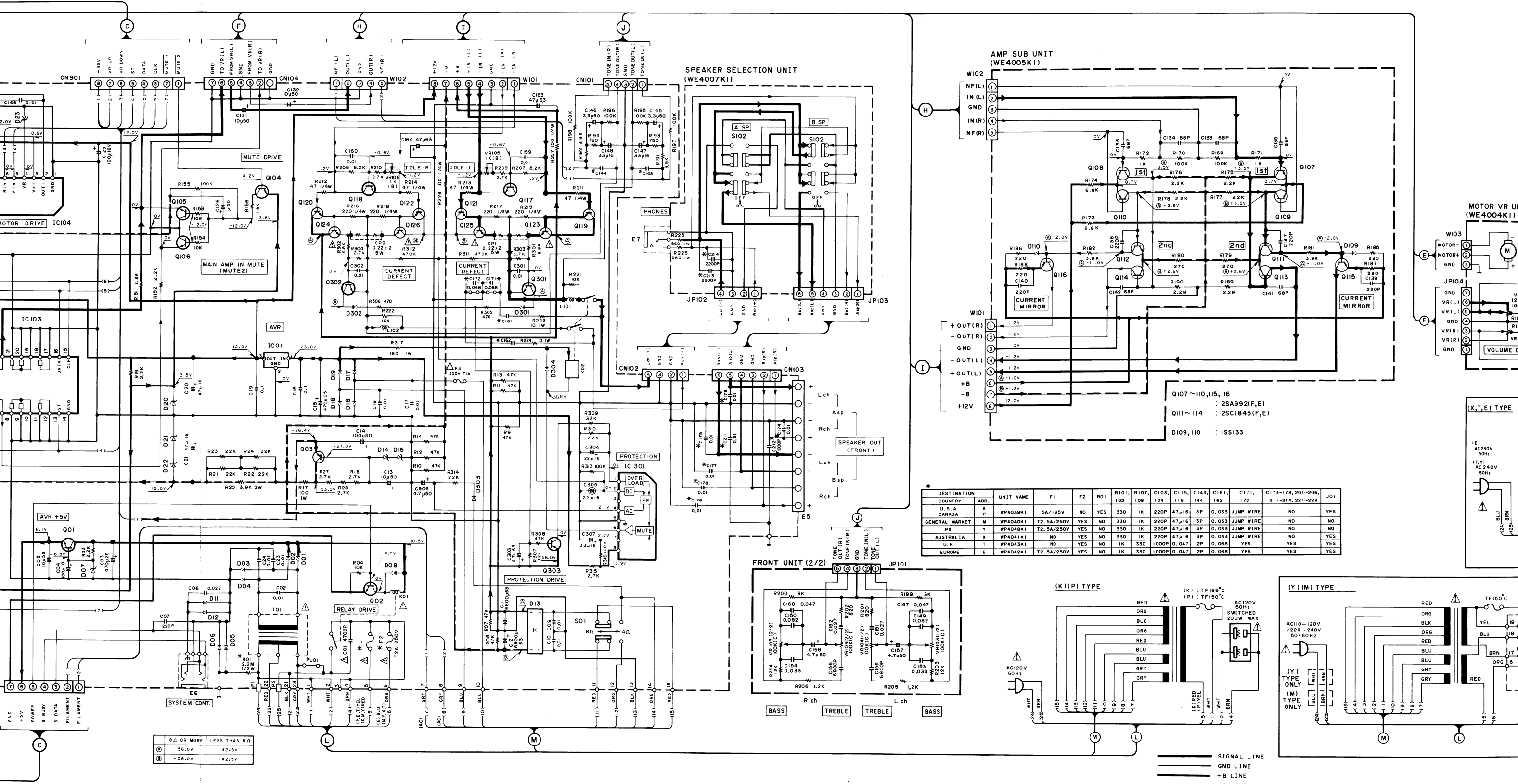
FRONT UNIT (2/2)

- |                    |                         |                      |
|--------------------|-------------------------|----------------------|
| IC01 : μPC7812HF   | Q101,102,105,106        | D01~04,08,16~19      |
| IC101 : NJM4558DD  | Q103,104 : 2SA933S(I,R) | 301~304 : IN4002     |
| IC102 : TC9164N    | Q117,118 : 2SC4137(V,W) | D05,06,11,12,101~108 |
| IC103 : TC9162N    | Q119,120 : KHR-TP2316Y1 | : ISS133             |
| IC104 : BA6209N    | Q121,122 : KHR-TN0916Y1 | D07 : RD6.0ES182)    |
| IC301 : μPC1237HA  | Q123,124 : 2SC4468*5    | D13 : D58A20F03      |
|                    | Q125,126 : 2SA1695*5    | D14 : RD12ES182)     |
| Q01 : KHR-TD0882Y1 | Q301,302 : 2SC1845(E,F) | D15 : RD15ES182)     |
| Q02 : 2SC2236      | Q303 : 2SA992(E,F)      | D20,23 : RD3.9ES182) |
| Q03 : 2SB1274      |                         | D21,22 : RD6.2ES182) |

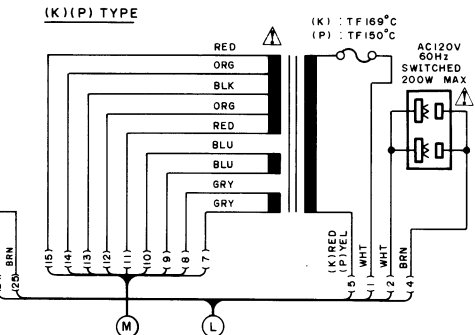
Ⓐ	56.0V	LESS THAN 8 Ⓐ	42.5V
Ⓑ	-56.0V		-42.5V

MC-Service



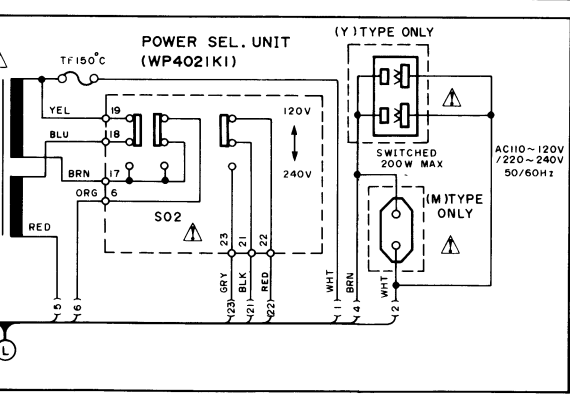
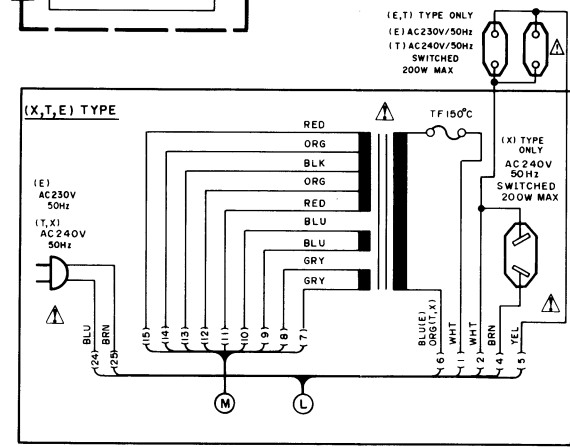
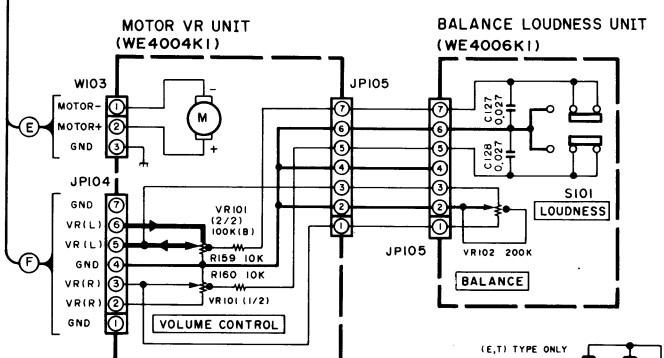
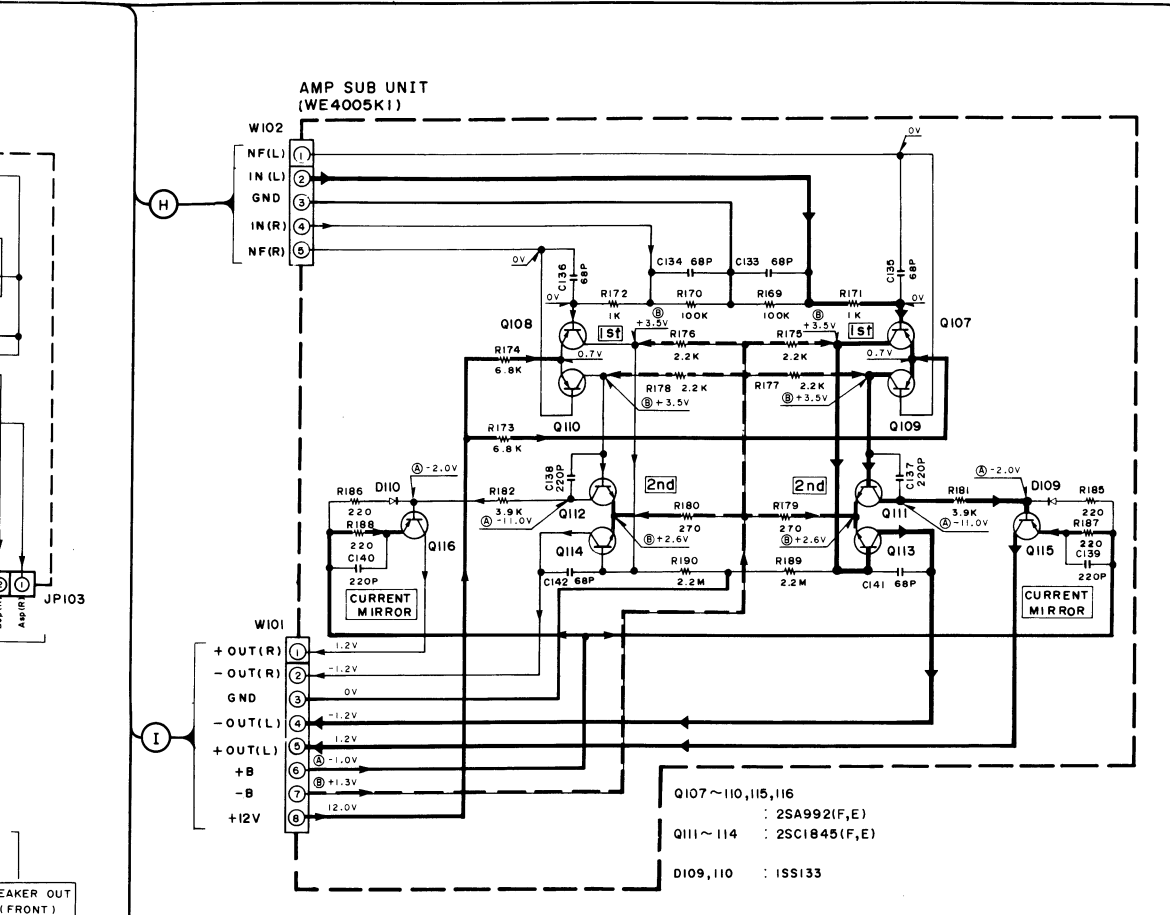


DESTINATION	COUNTRY	ABB.	UNIT NAME	F1	F2	RO1	RI01	RI07	CI03	CI15	CI43	CI61	CI71	CI73-178, 201-206, 211-214, 221-228	JO1
U.S.A	U.S.A	K	WP4039K1	5A/125V	NO	YES	330	1K	220P	47 $\mu$ 16	3P	0.033	JUMP WIRE	NO	YES
CANADA	CANADA	P	WP4039K1	5A/125V	NO	YES	330	1K	220P	47 $\mu$ 16	3P	0.033	JUMP WIRE	NO	YES
GENERAL MARKET	GENERAL MARKET	M	WP4040K1	T2, 5A/250V	YES	NO	330	1K	220P	47 $\mu$ 16	3P	0.033	JUMP WIRE	NO	NO
PX	PX	Y	WP4040K1	T2, 5A/250V	YES	NO	330	1K	220P	47 $\mu$ 16	3P	0.033	JUMP WIRE	NO	NO
AUSTRALIA	AUSTRALIA	X	WP4041K1	NO	YES	NO	330	1K	220P	47 $\mu$ 16	3P	0.033	JUMP WIRE	NO	YES
U.K.	U.K.	T	WP4043K1	NO	YES	NO	1K	330	1000P	0.047	2P	0.068	YES	YES	YES
EUROPE	EUROPE	E	WP4042K1	T2, 5A/250V	YES	NO	1K	330	1000P	0.047	2P	0.068	YES	YES	YES

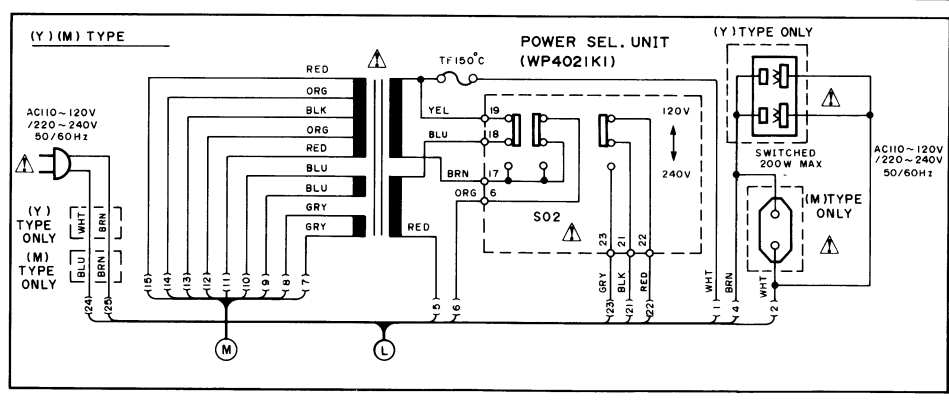
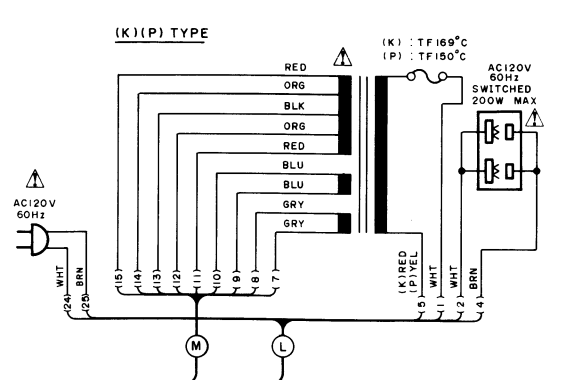
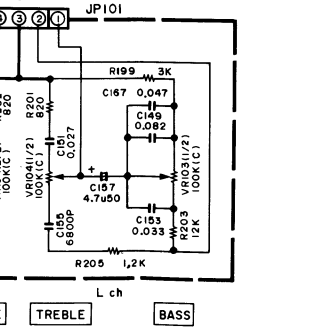


——— SIGNAL LINE  
 ——— GND LINE  
 ——— +B LINE  
 ——— -B LINE

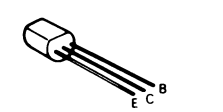
Ⓜ 8Ω OR MORE LESS THAN 8Ω  
 Ⓜ 56.0V 42.5V  
 Ⓜ -56.0V -42.5V



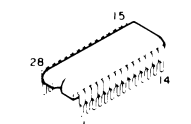
* DESTINATION COUNTRY	ABB.	UNIT NAME	F1	F2	ROI	R101, 102	R107, 108	C103, 104	C115, 116	C143, 144	C161, 162	C171, 172	C173-178, 201-206, 211-214, 221-228	JO1
U.S.A. CANADA	K P	WP4058K1	5A/125V	NO	YES	330	1K	220P	47,16	3P	0.033	JUMP WIRE	NO	YES
GENERAL MARKET	M	WP4040K1	T2.5A/250V	YES	NO	330	1K	220P	47,16	3P	0.033	JUMP WIRE	NO	NO
FX	Y	WP4048K1	T2.5A/250V	YES	NO	330	1K	220P	47,16	3P	0.033	JUMP WIRE	NO	NO
AUSTRALIA	X	WP4041K1	NO	YES	NO	330	1K	220P	47,16	3P	0.033	JUMP WIRE	NO	YES
U.K.	T	WP4043K1	NO	YES	NO	1K	330	1000P	0.047	2P	0.068	YES	YES	YES
EUROPE	E	WP4042K1	T2.5A/250V	YES	NO	1K	330	1000P	0.047	2P	0.068	YES	YES	YES



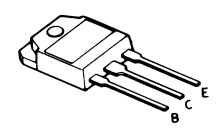
— SIGNAL LINE  
 — GND LINE  
 — +B LINE  
 — -B LINE



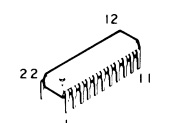
2SA992  
 2SC1845  
 2SC1923  
 2SC2236  
 2SC2878



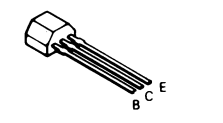
TC9162N  
 TC9164N



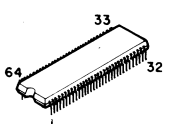
2SA1695\*5  
 2SC4468\*5



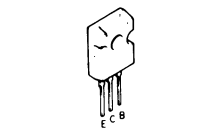
LA1265



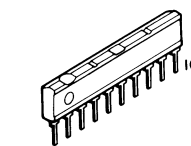
2SA933S  
 2SC1740S



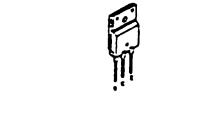
CXP5016-531S



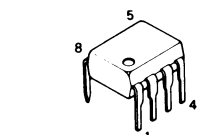
2SC4137



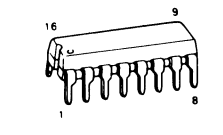
BA6209N



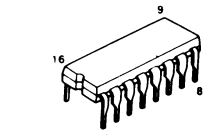
2SB1274



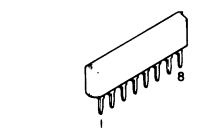
NJM4558DD



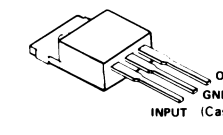
LM7001



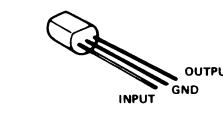
AN7470



UPC7812HF



UPC1237HA



RST529C

**CAUTION:** For continued safety, replace safety critical components only with manufacturer's recommended parts (refer to parts list). **⚠** Indicates safety critical components. To reduce the risk of electric shock, leakage-current or resistance measurements shall be carried out (exposed parts are acceptably insulated from the supply circuit) before the appliance is returned to the customer.

DC voltages are as measured with a high impedance voltmeter. Values may vary slightly due to variations between individual instruments or/and units.

Les tensions c.c. doivent être mesurées avec un voltmètre à haute impédance. Les valeurs peuvent différer légèrement du fait des variations inhérentes aux appareils et aux instruments de mesure individuels.

Die angegebenen Gleichspannungswerte wurden mit einem hochohmigen Spannungsmesser gemessen. Dabei schwanken die Meßwerte aufgrund von Unterschieden zwischen einzelnen Instrumenten oder Geräten u. U. geringfügig.

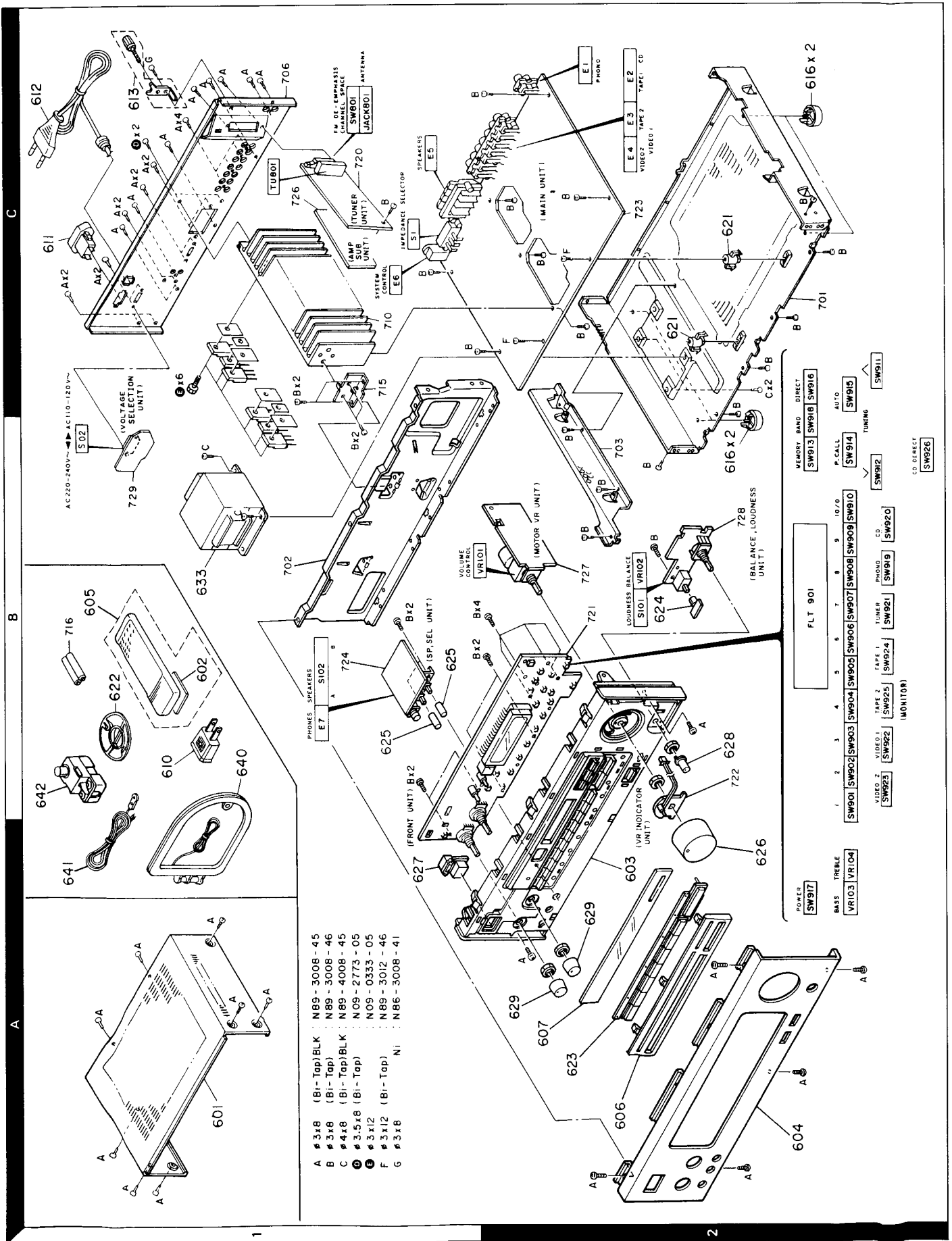
KR-A5040(K) (2/2)

MC-Service

Y05-2640-10



## EXPLODED VIEW



- A # 3x8 (Bl-Tap) BLK : N89 - 3008 - 45
- B # 3x8 (Bl-Tap) : N89 - 3008 - 46
- C # 4x8 (Bl-Tap) BLK : N89 - 4008 - 45
- D # 3.5x8 (Bl-Tap) : N09 - 2773 - 05
- E # 3x12 : N09 - 0333 - 05
- F # 3x12 (Bl-Tap) : N89 - 3012 - 46
- G # 3x8 NI : N86 - 3008 - 41

POWER SW917

BASS TREBLE VR103 VR104

MEMORY BAND DIRECT SW913 SW916 SW918

P-CALL AUTO SW914

TUNING SW915

FLT 901

VIDEO 1 VIDEO 2 VIDEO 3 VIDEO 4 VIDEO 5 VIDEO 6 VIDEO 7 VIDEO 8 VIDEO 9 VIDEO 10

SW901 SW902 SW903 SW904 SW905 SW906 SW907 SW908 SW909 SW910

TAPE 1 TAPE 2 TAPE 3 TAPE 4 TAPE 5 TAPE 6 TAPE 7 TAPE 8 TAPE 9 TAPE 10

SW921 SW922 SW923 SW924 SW925 SW926 SW927 SW928 SW929 SW930

PHONO CD SW920

CD DIRECT SW926

Parts with the exploded numbers larger than 700 are not supplied. 23

# KR-A5040

# PARTS LIST

\* New Parts

Parts without Parts No. are not supplied.

Les articles non mentionnés dans le Parts No. ne sont pas fournis.

Teil ohne Parts No. werden nicht geliefert.

## No.1

Ref. No. 参照番号	Address 位置	Parts No. 部品番号	Description 部品名 / 規格	Desti- nation 仕向備考
<b>KR-A5040</b>				
601	1A	A01-1975-08	METALLIC CABINET	
602	1B	A09-0104-08	BATTERY COVER	K
603	2A	A22-1578-08	FRAME FRONT	Y
604	2A	A60-0281-08	PANEL FRONT	Y
605	1B	A70-0908-08	REMOTE CONTROLLER ASSY	XT
606	2A	B07-2215-08	PANEL CENTER	P
607	2A	B10-1933-08	FRONT GLASS	E
-	-	B46-0092-13	WARRANTY CARD	PE
-	-	B46-0094-03	WARRANTY CARD	E
-	-	B46-0095-03	WARRANTY CARD	E
-	-	B46-0096-33	WARRANTY CARD	E
-	-	B46-0121-13	WARRANTY CARD	E
-	-	B46-0122-23	WARRANTY CARD	E
-	-	B60-0851-08	INSTRUCTION MANUAL(ENGLISH)	PE
-	-	B60-0852-08	INSTRUCTION MANUAL(FRENCH)	E
-	-	B60-0853-08	INSTRUCTION MANUAL(G.D.I.)	E
-	-	B60-0854-08	INSTRUCTION MANUAL(S.C.)	M
610	1B	E03-0115-05	AC PLUG ADAPTOR	M
611	1C	E03-0120-08	AC OUTLET	ME
611	1C	E03-0123-08	AC OUTLET	KPY
611	1C	E03-0124-08	AC OUTLET	X
611	1C	E03-0133-08	AC OUTLET	T
612	1C	E30-0459-05	AC POWER CORD	ME
612	1C	E30-0812-05	AC POWER CORD	Y
612	1C	E30-0974-05	AC POWER CORD	KP
612	1C	E30-1341-05	AC POWER CORD	X
612	1C	E30-1416-05	AC POWER CORD	T
613	1C	E21-0023-08	TERMINAL GND	
-	-	H25-5201-08	POLYSTYRENE FOAMED FIXTURE	
-	-	H25-0647-08	PROTECTION BAG	
-	-	H25-0676-08	PROTECTION BAG	
-	-	H50-0391-08	ITEM CARTON CASE	KPYXTE
-	-	H50-0392-08	ITEM CARTON CASE	M
616	2B,2C	J02-1066-08	FOOT ASSY	KPYMX
616	2B,2C	J02-1079-08	FOOT ASSY	TE
621	2C	J02-3431-08	SUPPORTER	
622	1B	J19-2815-04	ANTENNA HOLDER	
623	2A	K27-2085-08	KNOB(VOLUME, TAPE, TUNER, PHONO, CD)	
624	2B	K27-2034-08	KNOB(LOUDNESS)	
625	1B	K27-2033-08	KNOB(SPEAKERS A, B ON/OFF)	
626	2B	K29-4273-08	KNOB(VOLUME CONTROL)	
627	1A	K27-2084-08	KNOB(POWER ON/OFF)	
628	2B	K29-4444-08	KNOB(BALANCE)	
629	2A	K29-4445-08	KNOB(BASS, TREBLE)	
633	1B	L07-0388-08	POWER TRANSFORMER	P
633	1B	L07-0388-08	POWER TRANSFORMER	XT
633	1B	L07-0388-08	POWER TRANSFORMER	K
633	1B	L07-0390-08	POWER TRANSFORMER	K
633	1B	L07-0390-08	POWER TRANSFORMER	YM
633	1B	L07-0568-08	POWER TRANSFORMER	E
A	1A	N89-3008-45	BINDING HEAD TAPITTE SCREW	
B	1C	N89-3008-46	BINDING HEAD TAPITTE SCREW	

\* New Parts

Parts without Parts No. are not supplied.

Les articles non mentionnés dans le Parts No. ne sont pas fournis.

Teil ohne Parts No. werden nicht geliefert.

## No.2

Ref. No. 参照番号	Address 位置	Parts No. 部品番号	Description 部品名 / 規格	Desti- nation 仕向備考
C	1B	N89-4008-45	BINDING HEAD TAPITTE SCREW	
D	1C	N09-2773-05	TAPPING SCREW	
E	1C	N09-0333-05	BINDING HEAD TAPITTE SCREW	
F	2C	N89-3012-46	BINDING HEAD TAPITTE SCREW	
G	1C	N86-3008-46	BINDING HEAD TAPITTE SCREW	
640	1B	T90-0184-08	L00P ANTENNA	
641	1B	T90-0176-05	FM INDOOR ANTENNA	
642	1B	T90-0185-05	ANTENNA ADAPTOR	TE
<b>TUNER UNIT</b>				
C801		C804KW1H010M	ELECTRO	50WV
C802		C804KW1C470M	ELECTRO	47UF 16WV
C803		CF92FV1H273J	MF	0.027UF J
C804		C804KW1H010M	ELECTRO	1.00UF 50WV
C805		C804KW1C470M	ELECTRO	47UF 16WV
C806, 807		CX45FF1H103Z	CERAMIC	0.010UF Z
C809		CX45FF1H223Z	CERAMIC	0.022UF Z
C816		CX45FF1H223Z	CERAMIC	0.022UF Z
C817		C804KW1H2R2M	ELECTRO	2.2UF 50WV
C818		C804KW1H4R7M	ELECTRO	4.7UF 50WV
C819		CX45FF1H223Z	CERAMIC	0.022UF Z
C820		C804KW1H3R3M	ELECTRO	3.3UF 50WV
C821		CX45FF1H03Z	CERAMIC	0.010UF Z
C822		CX45FF1H223Z	CERAMIC	0.022UF Z
C823		C804KW1H100M	ELECTRO	100UF 50WV
C824		CX45FF1H223Z	CERAMIC	0.022UF Z
C825		CF92FV1H153J	MF	0.015UF J
C826		C804KW1H100M	ELECTRO	100UF 50WV
C827		C804KW1HR47M	ELECTRO	0.47UF 50WV
C828-830		CX45FF1H103Z	CERAMIC	0.010UF Z
C831		C045FCH1H101J	CERAMIC	100PF J
C832		CX45FF1H103Z	CERAMIC	0.010UF Z
C833		C804KW1C470M	ELECTRO	47UF 16WV
C834		CX45FB1H471K	CERAMIC	470PF K
C835		C045FSL1H121J	CERAMIC	120PF J
C836		C045FSL1H271J	CERAMIC	270PF J
C837		CF92FV1H152J	MF	1500PF J
C838		CF92FV1H122J	MF	1200PF J
C839		C093FCH1H471J	CERAMIC	470PF J
C840		C804KW1H2R2M	ELECTRO	2.2UF 50WV
C841		C804KW1H3R3M	ELECTRO	3.3UF 50WV
C843		CF92FV1H473J	MF	0.47UF J
C844		CX45FB1H471K	CERAMIC	470PF K
C845		CX45FF1H103Z	CERAMIC	0.010UF Z
C846, 847		C045FSL1H151J	CERAMIC	150PF J
C846, 847		CX45FB1H102K	CERAMIC	1000PF K
C848		C045FSL1H221J	CERAMIC	220PF J
C849		C804KW1C21M	ELECTRO	220UF 16WV
C850, 851		C804KW1H010M	ELECTRO	1.00UF 50WV
C850, 851		C804KW1H2R2M	ELECTRO	2.2UF 50WV
C852		CF92FV1H222J	MF	2200PF J
C853		CF92FV1H222J	MF	2200PF J
C854, 855		CF92FV1H23J	MF	0.015UF J
C854, 855		CF92FV1H223J	MF	0.022UF J

L:Scandinavia

K:USA

P:Canada

E:Europe

T:England

Y:Korea

X:Australia

M:Other Areas

△ indicates safety critical components

L:Scandinavia

K:USA

P:Canada

E:Europe

T:England

Y:Korea

X:Australia

M:Other Areas

△ indicates safety critical components

## PARTS LIST

### No.4

Ref. No. 参照番号	Address 位置	New Parts 新部品	Parts No. 部品番号	Description 部品名 / 規格	Desti- nation 仕向	Re- marks 備考
C149, 150			CF92FV1H823J	MF		
C151, 152			CF92FV1H273J	MF		
C153, 154			CF92FV1H333J	MF		
C155, 156			CF92FV1H682J	MF		
C157, 158			CE04KW1H47M	ELECTRO		
C167, 168			CF92FV1H473J	MF		
C901			CE04KW1H01M	ELECTRO		
C902			CE04JW1HR47M	ELECTRO		
C903			CE04KW1A101M	ELECTRO		
C904			KHR-PX0001N3	BACKUP		
C905-907			CK45FF1H103Z	CERAMIC		YM
C908			CK45FF1H103Z	CERAMIC		
C909			CK45FB1H561K	CERAMIC		
L901			L40-1091-17	SMALL FIXED INDUCTOR(10H)		
X901			L78-0209-05	RESONATOR (4.194MHz)		
R949			R90-0483-05	MULTI-COMP		
R950		*	KHR-RA0031J1	MULTI-COMP		
VR103, 104	2A	*	KHR-VR043061	POTENTIOMETER(100K) (BASS, T.REB)		
SW901-926	2B		KHR-ST0340M1	TACT SWITCH		
D901			RD8-26S(B2)	ZENER DIODE		
D903-909			1SS133	DIODE		
D911			1SS133	DIODE		
D912			1SS133	DIODE		
D913-918			1SS133	DIODE		XTE
D919			1SS133	DIODE		
ELT901	2B		CF1036C	FLUORESCENT INDICATOR TUBE		KP
IC901			KPS016-531S	IC(4BIT MICROPROCESSOR)		
IC902			RST529C	IC(RESET)		
Q901			2SC1740S(Q,R)	TRANSISTOR		
Q902			2SA933S(Q,R)	TRANSISTOR		YM
A901			M02-1111-08	ELECTRIC CIRCUIT MODULE		
LED903			B30-0431-05	LED(VOLUME CONTROL)		
<b>VR INDICATOR UNIT</b>						
<b>MAIN UNIT</b>						
C01			C91-1441-08	CERAMIC		
C02			CK45FF1H103Z	CERAMIC		
C03			CE04KW1E471M	ELECTRO		
C04			CE04KW1A101M	ELECTRO		
C05			CE04KW1H100M	ELECTRO		
C06			CK45FF1H23Z	CERAMIC		
C07			CC45FCH1422J	CERAMIC		
C09, 10			CK45FF1H103Z	CERAMIC		
C11, 12		*	C90-1965-08	ELECTRO		
C13			CE04KW1H100M	ELECTRO		
C14			CE04KW1H101M	ELECTRO		
C15			CE04KW1E471M	ELECTRO		
C16			CF92FV1H104J	MF		
C17, 18			CK45FF1H103Z	CERAMIC		
C19			CF92FV1H104J	MF		
C20, 21			CE04KW1C470M	ELECTRO		
C23, 24			CK45FF1H103Z	CERAMIC		

### No.3

Ref. No. 参照番号	Address 位置	New Parts 新部品	Parts No. 部品番号	Description 部品名 / 規格	Desti- nation 仕向	Re- marks 備考
C854, 855			CF92FV1H472J	MF		TE
C856			CK45FF1H103Z	CERAMIC		
C857			CE04KW1C470M	ELECTRO		
C858, 859			CC45FCH1220J	CERAMIC		
C860-862			CC45FCH1H101J	CERAMIC		
C863			CK45FF1H103Z	CERAMIC		
C864			CF92FV1H222J	MF		YM
C865			CE92FV1H562J	MF		YM
C866, 867			CE04KW1G220H	ELECTRO		TE
C868			CC45FCH1H101J	CERAMIC		TE
JACK801	1C		E70-0005-08	LOCK TERMINAL BOARD (ANTENNA)		KPYMX
JACK801	1C	*	E70-0023-08	LOCK TERMINAL BOARD (ANTENNA)		TE
CE801, 802			L72-0531-05	CERAMIC FILTER		KPYMX
CE801, 802		*	L72-0570-08	CERAMIC FILTER		TE
CE803			L72-0096-05	CERAMIC FILTER		TE
L801			L40-1091-17	SMALL FIXED INDUCTOR(10H)		
L802			L39-0189-05	COMBINATION COIL		
L804			L30-0488-05	AM IFT(DISCRIMINATOR ADJ.)		TE
L806			L30-0439-05	FM IFT(DISCRIMINATOR ADJ.)		TE
L809, 810		*	L72-0569-08	LC FILTER		TE
L811		*	L33-0375-08	SMALL FIXED INDUCTOR(5.6mH)		TE
L812		*	L33-0376-08	SMALL FIXED INDUCTOR(6.8mH)		TE
X801			L77-1122-05	CRYSTAL RESONATOR(7.2MHz)		
R806			RD14GB2E101J	FL-PROOF RD 100 J 1/4W		
R810			RD14GB2E101J	FL-PROOF RD 100 J 1/4W		
R836			RD14GB2E101J	FL-PROOF RD 100 J 1/4W		
R851			RD14GB2E20J	FL-PROOF RD 82 J 1/4W		
R869			RD14GB2E221J	FL-PROOF RD 220 J 1/4W		
VR801			R12-3166-08	POTENTIOMETER(33K) (FM T-LEVEL)		
VR802			R12-1053-05	POTENTIOMETER(47K) (VCO)		
VR803		*	R12-5079-08	POTENTIOMETER(220K) (SEPARATION)		TE
VR804			R12-3071-05	POTENTIOMETER(10K) (AM T-LEVEL)		
SW801	1C		S42-0012-08	SLIDE SWITCH(OE-EM. CH. SPACE)		YM
D801, 802			1SS133	DIODE		
D804			1SS133	DIODE		
D810			R05-1ES(B2)	ZENER DIODE		TE
D811, 812			1SS133	DIODE		
IC801			LA1265	IC(FM/AM TUNER)		
IC802			AN7470	IC(FM MPX)		
IC803			LM7001	IC(PLL FREQUENCY SYNTHESIZER)		
Q801			2SC1923	TRANSISTOR		
Q803			2SC1740S(Q,R)	TRANSISTOR		
Q804			2SC1845(F,T,E)	TRANSISTOR		
Q807, 809			2SC1740S(Q,R)	TRANSISTOR		TE
Q811, 812			2SA933(Q,R)	TRANSISTOR		
Q811, 812			2SC1740S(Q,R)	TRANSISTOR		YM
TU801	1C		M02-1042-05	FM FRONT-END ASSY		KPYMX
TU801	1C	*	M02-1146-08	FM FRONT-END ASSY		TE
LED901			B30-0413-05	LED(POWER STANDBY)		
LED902			B30-0413-05	LED(CD DIRECT)		

\* New Parts  
Parts without Parts No. are not supplied.  
Les articles non mentionnés dans le Parts No. ne sont pas fournis.  
Teil ohne Parts No. werden nicht geliefert.

\* New Parts  
Parts without Parts No. are not supplied.  
Les articles non mentionnés dans le Parts No. ne sont pas fournis.  
Teil ohne Parts No. werden nicht geliefert.

LS:Scandinavia  
K:USA  
T:England  
Y:AFES(Europe)  
X:Australia  
M:Other Areas

LS:Scandinavia  
K:USA  
T:England  
Y:AFES(Europe)  
X:Australia  
M:Other Areas

△ indicates safety critical components.

△ indicates safety critical components.

## PARTS LIST

\* New Parts  
Parts without Parts No. are not supplied.  
Les articles non mentionnés dans le Parts No. ne sont pas fournis.  
Teil ohne Parts No. werden nicht geliefert.

### No.6

Ref. No. 参照番号	Address 位置	Parts No. 部品番号	Description 部品名 / 規格	Desti- nation 仕向備考
*T01		L39-1303-08	SMALL FIXED INDUCTOR	KP
*T01		L07-0408-08	POWER TRANSFORMER	YM
*T01		L07-0409-08	POWER TRANSFORMER	XT
*T01		L07-0410-08	POWER TRANSFORMER	E
ICP1,2		R90-0189-05	MULTI-COMP 0.22X2	5W
R01		R92-0173-05	RC 2.2K	H 1/2W
R17		RS14XB3101J	FL-PR00F RS 100	J 1W
R20		RS14XB30392J	FL-PR00F RS 5.9K	J 2W
R161		RD146B2E100J	FL-PR00F RD 10	J 1/4W
R211-214		RD146B2E470J	FL-PR00F RD 47	J 1/4W
R215-218		RD146B2E221J	FL-PR00F RD 220	J 1/4W
R223,224		RS14XB3A100J	FL-PR00F RS 10	J 1W
R227,228		RD146B2E101J	FL-PR00F RD 100	J 1/4W
R317		RS14XB3A181J	FL-PR00F RS 180	J 1W
VR105,106		R12-1066-05	TRIMMING POT(1K)(IDLE CURRENT)	
K01		S76-0010-08	MAGNETIC RELAY	
K02	1C	S76-0011-08	MAGNETIC RELAY	
S01		S31-2136-05	SLIDE SWITCH(IMPEDANCE SELECT)	
D01-04		1N4002	DIODE	YM
D05,06		1S5133	DIODE	
D07		R06.8ES(B2)	ZENER DIODE	
D08		1N4002	DIODE	
D11,12		1S5133	DIODE	
D13		D85BA20F03	DIODE	
D14		R012ES(B2)	ZENER DIODE	
D15		R015ES(B2)	ZENER DIODE	
D16-19		1N4002	DIODE	
D20		R03.9ES(B2)	ZENER DIODE	
D21,22		R06.2ES(B2)	ZENER DIODE	
D23		R03.9ES(B2)	ZENER DIODE	
D101-108		1S5133	DIODE	
D301-304		1N4002	DIODE	
I001		UPC7812HF	IC(VOLTAGE REGULATOR/ +12V)	
IC101		NJM4558D	IC(OP AMP X2)	
IC102		TC9164N	IC(16CH BILATERAL SELECTOR SW)	
IC103		TC9162N	IC(ANALOG SWITCH ARRAY)	
IC104		BA6209N	IC(MOTOR DRIVER)	
IC501		UPC1237HA	IC(POWER AMP)	
Q01		KHR-TD0682Y1	TRANSISTOR	
Q02		2SC2236	TRANSISTOR	
Q03		2SB1274	TRANSISTOR	
Q101,102		2SC2878(B)	TRANSISTOR	
Q103,104		2SA933S(Q,R)	TRANSISTOR	
Q105,106		2SC2878(B)	TRANSISTOR	
Q117,118		2SC4137(V,W)	TRANSISTOR	
Q119,120		KHR-TP2316Y1	TRANSISTOR	
Q121,122		KHR-TN0916Y1	TRANSISTOR	
Q123,124		2SC4468*5	TRANSISTOR	
Q125,126		2SA1695*5	TRANSISTOR	
Q301,302		2SC1845(E,F)	TRANSISTOR	
Q303		2SA992(E,F)	TRANSISTOR	

\* New Parts  
Parts without Parts No. are not supplied.  
Les articles non mentionnés dans le Parts No. ne sont pas fournis.  
Teil ohne Parts No. werden nicht geliefert.

### No.5

Ref. No. 参照番号	Address 位置	Parts No. 部品番号	Description 部品名 / 規格	Desti- nation 仕向備考
C101,102		CE04KW1H100M	ELECTR0 100F	KPYMX
C103,104		CC45FCH1H221J	220PF J	TE
C105,106		CK45FB1H102K	1000PF K	
C107,108		CK45FB1H102K	1000PF K	
C109,110		CE04KW1A101M	1000PF J	
C111,112		CF92FV1H333J	330PF J	
C113,114		CF92FV1H123J	0.0120F J	
C115,116		CE04KW1H100M	100F 50WV	KPYMX
C117		CE04KW1C470M	470F 16WV	TE
C119,120		CK45FF1H473Z	0.0470F Z	
C121		CK45FF1H102K	0.0100F Z	
C122,123		CE04KW1H02K	1.000F 50WV	
C124,125		CE04KW1H02K	1.000F 50WV	
C126		CE04KW1H02K	1.000F 50WV	
C129		CE04KW1C101M	100F 16WV	
C131,132		CE04KW1H00M	100F 50WV	
C143,144		CC45FSL1H020C	2.00PF C	TE
C143,144		CC45FSL1H030C	3.00PF C	KPYMX
C145,146		CE04KW1H3R3M	3.30UF 50WV	
C147,148		CE04KW1C330M	330F 16WV	
C159,160		CK45FF1H103Z	0.0100F Z	
C161,162		CF92FV1H333J	0.0330F J	
C163,164		CF92FV1H683J	0.0680F J	
C165		CE04KW1J470M	470F 63WV	TE
C169		CK45FF1H103Z	0.0100F Z	
C171,172		CF92FV1H104J	0.100F J	
C173-178		CF92FV1H683J	0.0680F J	TE
C201-206		CK45FF1H103Z	0.0100F Z	TE
C211,212		CK45FB1H471K	470PF K	TE
C221-228		CK45FB1H102K	1000PF K	TE
C301,302		CK45FF1H103Z	0.0100F Z	TE
C303		CE04KW1J487M	4.7UF 63WV	
C304		CE04KW1C220M	220F 16WV	
C305		C90-1333-05	22UF 10WV	
C306		CE04KW1H487M	4.7UF 50WV	
C307		CE04KW1C330M	330F 16WV	
E1	2C	E13-0249-05	PH0N0 JACK(2P)(PH0N0)	
E2	2C	E13-0633-05	PH0N0 JACK(4P)(CDTAP1)	
E3	4	E13-0445-05	PH0N0 JACK(4P)(TAP2,VIDE01/2)	
E5	1C	E70-0004-08	LOCK TERMINAL 80AR0V(SP.00T)	
E6	1C	E11-0188-05	MINIATURE PHONE JACK(S.CONTROL)	
F1		F04-5022-05	FUSE (125V 5A)	KP
F1		F05-2525-05	FUSE (250V T2.5A)	ME
F1		F06-2526-05	FUSE (250V T2.5A)	Y
F2		F04-2026-05	FUSE (250V T2A)	Y
F2		F06-2021-05	FUSE (250V T2A)	MXTE
F3		F04-1026-05	FUSE (250V T1A)	KP
F3		F04-1027-05	FUSE (250V T1A)	Y
F3		F06-1022-05	FUSE (250V T1A)	Y
		J13-0075-05	FUSE CLIP	MXTE

\* New Parts  
Parts without Parts No. are not supplied.  
Les articles non mentionnés dans le Parts No. ne sont pas fournis.  
Teil ohne Parts No. werden nicht geliefert.

L:Scandinavia  
Y:PX(Far East, Hawaii)  
Y:AAFE(Europe)  
K:USA  
T:England  
X:Australia  
P:Canada  
E:Europe  
M:Other Areas

△ indicates safety critical components.

## PARTS LIST

\* New Parts  
 Parts without Parts No. are not supplied.  
 Les parties sans numéro de pièce ne sont pas fournies.  
 Teile ohne Parts No. werden nicht geliefert.

Ref. No. 参照番号	Address 位置	New Parts 新部品	Parts No. 部品番号	Description 部品名 / 规格	Desti- nation 仕向	Re- marks 備考
<b>SPEAKER SELECTION UNIT</b>						
C213, 214			CC45FSL1H221J	CERAMIC 220PF J	TE	
E7	1B		E11-0223-08	PHONE JACK (PHONES)		
R225, 226			RS14KB3A561J	FL-PR00F RS 560 J 1W		
S102	1B		S42-2156-05	PUSH SWITCH (SPEAKERS ON/OFF)		
<b>AMP. SUB UNIT</b>						
C133-136			CC45FSL1H680J	CERAMIC 68PF J		
C137-140			CC45FCH1H221J	CERAMIC 220PF J		
C141, 142			CC45FSL1H680J	CERAMIC 68PF J		
R178, 180			RD148B2E271J	FL-PR00F RD 270 J 1/4W		
R185-188			RD148B2E221J	FL-PR00F RD 220 J 1/4W		
D109, 110			1SS133	DIODE		
Q107-110			2SA92(F, E)	TRANSISTOR		
Q111-114			2SC1845(F, E)	TRANSISTOR		
Q115, 116			2SA92(F, E)	TRANSISTOR		
<b>MOTOR VR UNIT</b>						
VR101	2B		R29-5054-08	POTENTIOMETER(100KX2)(VOLUME)		
<b>BALANCE, LOUDNESS UNIT</b>						
C127, 128			CF92FV1H273J	MF 0.027UF J		
VR102	2B		R01-5084-08	POTENTIOMETER(200K)(BALANCE)		
S101	2B		S40-2376-08	PUSH SWITCH(LOUDNESS)		
<b>POWER SEL. UNIT</b>						
S02	1B		S31-3010-05	SLIDE SWITCH(VOLTAGE SELECTOR)	M	

L:Scandinavia  
 Y:PX(Far East, Hawaii)  
 Y:AAFES(Europe)

K:USA  
 T:England  
 X:Australia

P:Canada  
 E:Europe  
 M:Other Areas

△ indicates safety critical components.

# KR-A5040

## SPECIFICATIONS

Except for Europe and U.K.

### AUDIO SECTION

Rated Power Output  
(For the U.S.A. & Canada)

80 watts per channel minimum RMS, both channel driven at 8  $\Omega$ , from 20 Hz to 20,000 Hz with no more than 0.09% total harmonic distortion. (FTC)

(For other than the U.S.A. & Canada)  
(IHF '66) From 20 Hz to 20 kHz, 0.09% T.H.D.,  
at 8  $\Omega$  ..... 80 W + 80 W  
Total Harmonic Distortion  
..... 0.09% (20 Hz ~ 20 kHz, 180 W, 8  $\Omega$ )  
Input Sensitivity/Impedance  
PHONO (MM) ..... 2.5 mV/47 k $\Omega$   
CD, TAPE, VIDEO ..... 200 mV/47 k $\Omega$   
Frequency Response  
CD ..... 10 Hz ~ 50 kHz + 0 dB, -3 dB  
Signal to Noise Ratio (IHF-A)  
PHONO (MM) ..... 77 dB for 6 mV input  
CD, TAPE, VIDEO ..... 100 dB for 200 mV input  
Tone Controls  
BASS .....  $\pm 10$  dB (at 100 Hz)  
TREBLE .....  $\pm 10$  dB (at 10 kHz)

### FM TUNER SECTION

Tuning Frequency Range ..... 87.5 MHz ~ 108 MHz  
Antenna Impedance ..... 300  $\Omega$  balanced & 75  $\Omega$  unbalanced  
Sensitivity (IHF) ..... 10.8 dBf (0.95  $\mu$ V at 75  $\Omega$ )  
50 dB Quieting Sensitivity  
MONO ..... 16.2 dBf (3.5  $\mu$ V at 75  $\Omega$ )  
STEREO ..... 38.2 dBf (45  $\mu$ V at 75  $\Omega$ )  
Signal to Noise Ratio at 65 dBf (IHF)  
MONO ..... 79 dB  
STEREO ..... 73 dB  
Total Harmonic Distortion at 1,000 Hz (IHF)  
MONO ..... 0.3%  
STEREO ..... 0.5%  
Stereo Separation (IHF at 1 kHz) ..... 45 dB  
Frequency Response ... 30 Hz ~ 15 kHz + 0.5 dB, -2.0 dB

### AM TUNER SECTION

Tuning Frequency Range  
9 kHz step ..... 531 kHz ~ 1,602 kHz  
10 kHz ..... 530 kHz ~ 1,610 kHz  
(The U.S.A. and Canada) ..... 530 kHz ~ 1,700 kHz  
Usable Sensitivity ..... 12  $\mu$ V (400  $\mu$ V/m)  
Signal to Noise Ratio ..... 50 dB  
Total Harmonic Distortion ..... 0.5%  
Selectivity ..... 23 dB

### GENERAL

Power Consumption ... 2.2 A (The U.S.A. and Canada Models)  
190 W (IEC) (Others)  
Dimensions ..... 440 (W) x 129 (H) x 334 (D) mm  
(17-5/16" x 5-1/16" x 13-1/8")  
Weight (Net) ..... 8.5 kg (18.7 lb)

Note:

KENWOOD follows a policy of continuous advancements in development.

For this reason specifications may be changed without notice.

### Note :

Component and circuitry are subject to modification to insure best operation under differing local conditions. This manual is based on the U.S.A. (K) standard, and provides information on regional circuit modification through use of alternate schematic diagrams, and information on regional component variations through use of parts list.

For Europe and U.K.

### AUDIO SECTION

Rated power output  
(IEC) from 63 Hz to 12,500 Hz  
0.7% T.H.D. at 8  $\Omega$  ..... 80 W + 80 W  
(DIN) 1,000 Hz at 8  $\Omega$  ..... 80 W + 80 W  
at 4  $\Omega$  ..... 80 W + 80 W  
Total Harmonic Distortion  
..... 0.05% (40 Hz ~ 20 kHz, 40 W, 8  $\Omega$ )  
Input Sensitivity/Impedance  
PHONO (MM) ..... 2.5 mV/47 k $\Omega$   
CD, TAPE, VIDEO ..... 200 mV/47 k $\Omega$   
Frequency Response  
CD ..... 10 Hz ~ 50 kHz + 0 dB, -3 dB  
Signal to Noise Ratio (DIN weighted, at 50 mW output)  
PHONO (MM) ..... 56 dB  
CD, TAPE, VIDEO ..... 57 dB  
Tone Controls  
BASS .....  $\pm 10$  dB (at 100 Hz)  
TREBLE .....  $\pm 10$  dB (at 10 kHz)

### FM TUNER SECTION

Tuning Frequency Range ..... 87.5 MHz ~ 108 MHz  
Antenna Impedance ..... 75  $\Omega$  unbalanced  
Sensitivity (DIN)  
MONO ..... 1.3  $\mu$ V  
STEREO ..... 4C  $\mu$ V  
Total Harmonic Distortion  
(DIN at 1 kHz, 65.2 dBf input)  
MONO ..... 0.3%  
STEREO ..... 0.4%  
Signal to Noise Ratio (DIN weighted at 1 kHz, 65.2 dBf input)  
MONO ..... 61 dB  
STEREO ..... 61 dB  
Stereo Separation (DIN at 1 kHz) ..... 41 dB  
Frequency Response ... 30 Hz ~ 15 kHz + 0.5 dB, -2.0 dB

### AM TUNER SECTION

Tuning Frequency Range ..... 531 kHz ~ 1,602 kHz  
Usable Sensitivity ..... 12  $\mu$ V/(400  $\mu$ V/m)  
Signal to Noise Ratio ..... 50 dB  
Total Harmonic Distortion ..... 0.5%  
Selectivity ..... 23 dB

### GENERAL

Power Consumption ..... 190 W  
Dimensions ..... 440 (W) x 129 (H) x 334 (D) mm  
Weight (Net) ..... 8.5 kg

## KENWOOD CORPORATION

Shionogi Shibuya Building, 17-5, 2-chome Shibuya, Shibuya-ku, Tokyo 150, Japan

KENWOOD U.S.A. CORPORATION  
2201 East Dominguez Street, Long Beach, CA 90810,  
550 Clark Drive, Mount Olive, NJ 07828, U.S.A.

KENWOOD ELECTRONICS CANADA INC.  
P.O. BOX 1075, 959 Gana Court, Mississauga, Ontario, Canada L4T 4C2

TRIO-KENWOOD U.K. LIMITED  
KENWOOD House, Dwight Road, Watford, Herts., WD1 8EB United Kingdom

KENWOOD ELECTRONICS BENELUX N.V.  
Mechelsesteenweg 418 B-1930 Zaventem, Belgium

KENWOOD ELECTRONICS DEUTSCHLAND GMBH  
Rembrucker-Str. 15, 60556 Heusenstamm, Germany

TRIO-KENWOOD FRANCE S.A.  
13 Boulevard Ney, 75018 Paris, France

KENWOOD LINEAR S.p.A.  
20125, MILANO-VIA ARBE, 50, ITALY

KENWOOD ELECTRONICS AUSTRALIA PTY. LTD. (A.C.N. 001 499 074)  
P.O. Box 504, 8 Figtree Drive, Australia Centre, Homebush, N.S.W. 214C, Australia

KENWOOD & LEE ELECTRONICS, LTD  
Wang Kee Building, 4th Floor, 34-37, Connaught Road, Central, Hong Kong