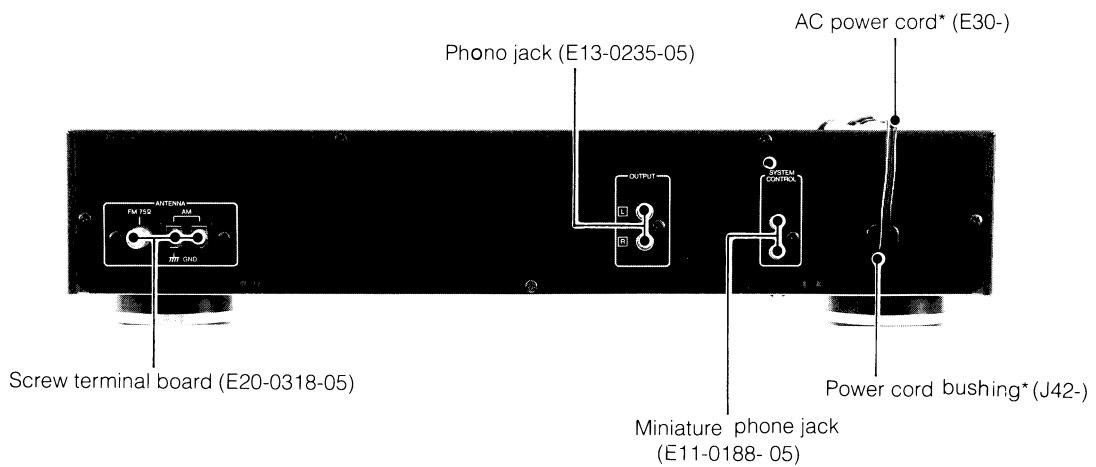
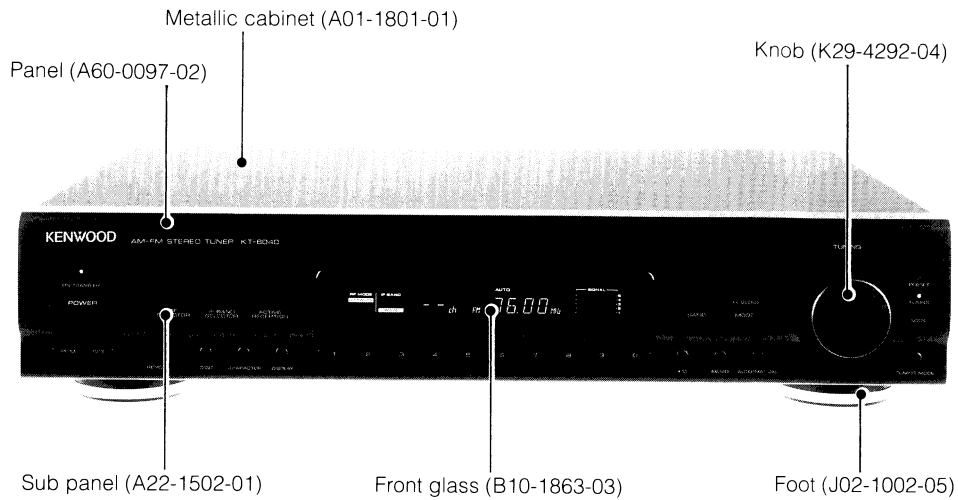


KT-6040

SERVICE MANUAL



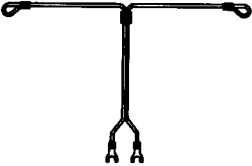
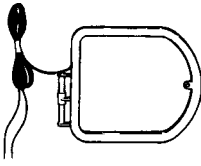
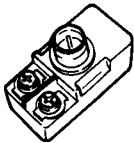



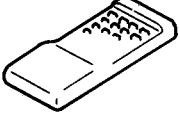

*Refer to Parts List on page 23 .

KT-6040

CONTENTS

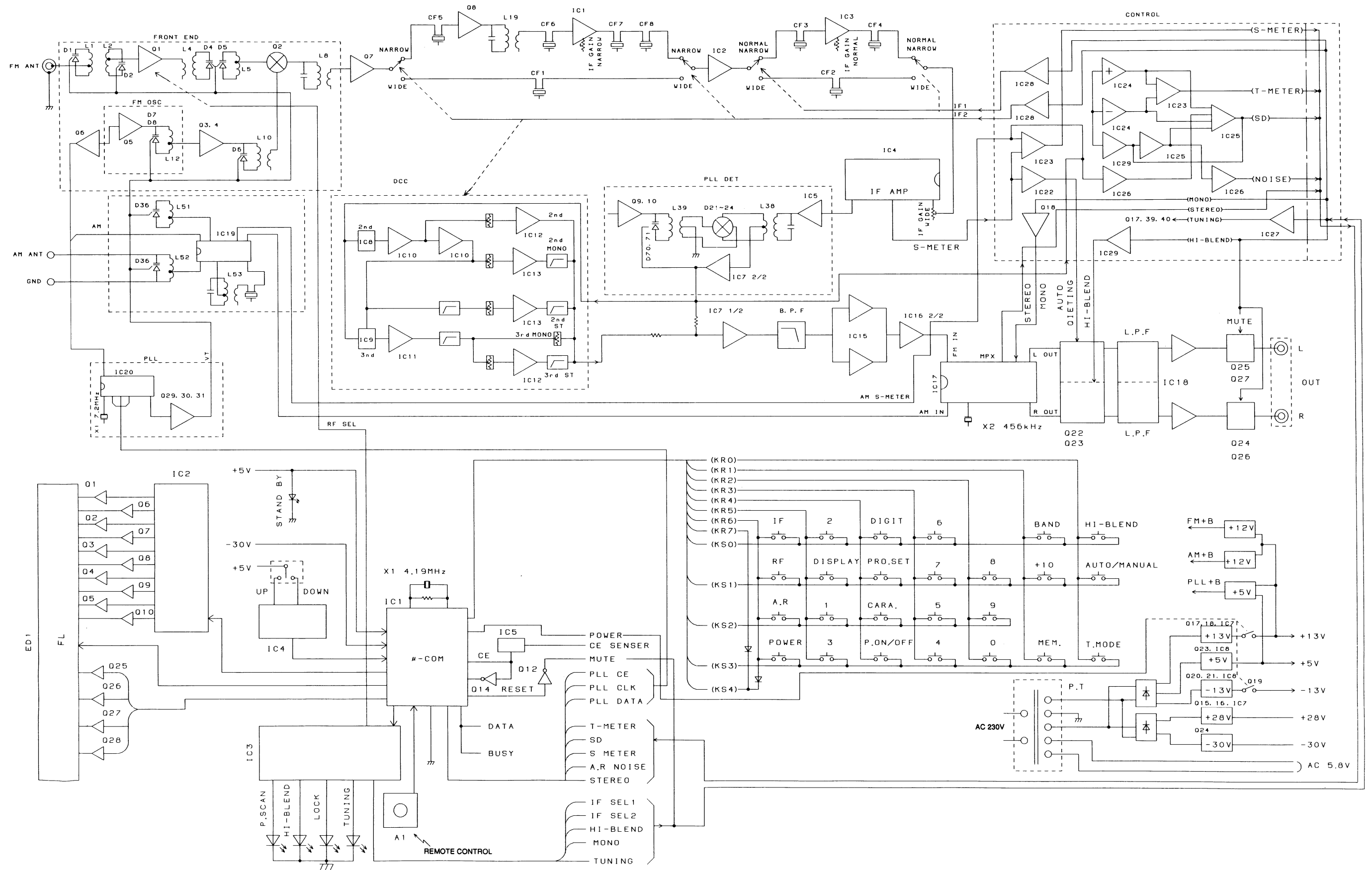
ACCESSORIES	2	2. LA3450 (X05 :IC17) FM MPX.....	8
BLOCK DIAGRAM	3	ADJUSTMENT	9
CIRCUIT DESCRIPTION		PC BOARD (Component side view).....	11
1. CXP50112-344Q (X13 :IC1) Microprocessor	5	CIRCUIT DIAGRAM.....	15
1.1 Terminal connection diagram	5	WIRING DIAGRAM	21
1.2 Initial status setting (reset).....	6	EXPLODED VIEW	22
1.3 Test mode	7	PARTS LIST	23
1.4 Function of diodes and switches.....	7	SPECIFICATIONS.....	Back cover

ACCESSORIES

<p>FM indoor antenna..... 1</p>  <p>(T90-0176-05)</p>	<p>AM loop antenna 1</p>  <p>(T90-0173-05)</p>	<p>75 ohm/300 ohm antenna adaptor..... 1</p>  <p>(T90-0136-05)</p>
<p>Loop antenna holder 1</p>  <p>(J19-2815-04)</p>	<p>System control cord..... 1</p>  <p>(E30-0977-05)</p>	<p>Audio cord 1</p>  <p>(E30-0505-05)</p>
<p>Remote control unit..... 1</p>  <p>Batteries</p>	<p> P, M type (A70-0542-05)</p> <p> X type (A70-0563-05)</p>	<p> ("R03" or "AAA")..... 2</p> 

KT-6040 KT-6040

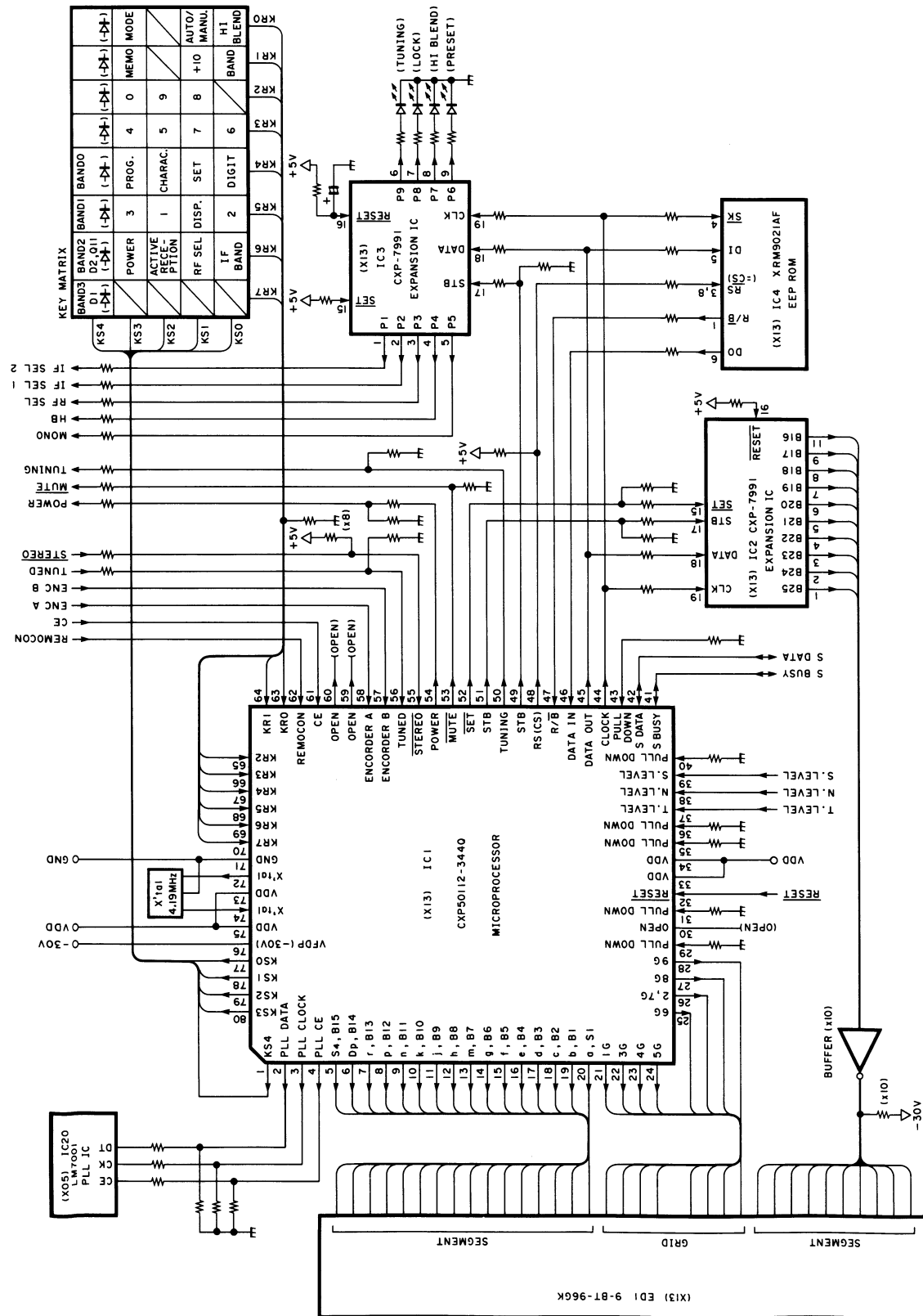
BLOCK DIAGRAM



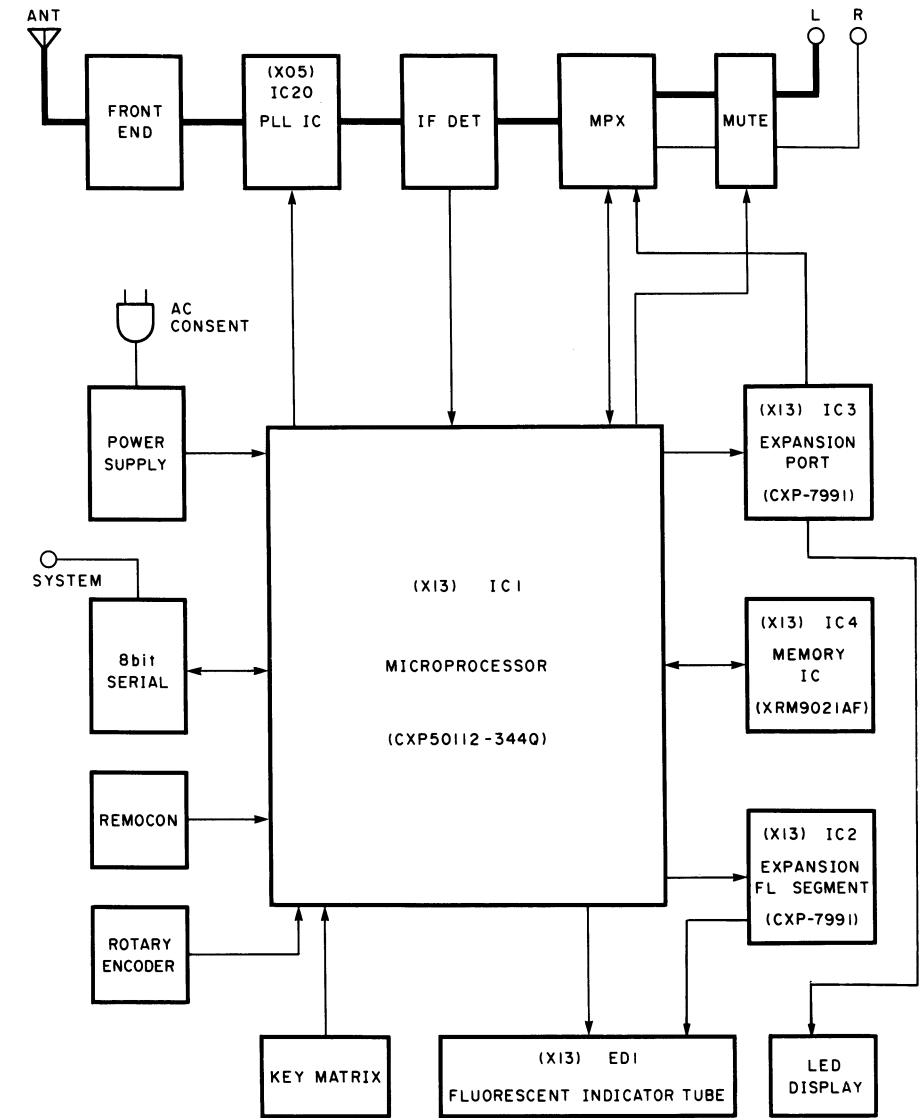
CIRCUIT DESCRIPTION

1. CXP50112-344Q (X13 :IC1) Microprocessor IC

1.1 Terminal connection diagram



CIRCUIT DESCRIPTION



1.2 Initial status setting (reset)

(1) Method of setting

While pressing the MEMO key, and plug the power cable into an outlet.

(2) Contents

- ① POWER : Low/(OFF)
- ② MUTE : Low/(ON)
- ③ Forced MONO : OFF
- ④ High BLEND : Low/(OFF)
- ⑤ RF SEL : Low/(DISTANCE)
- ⑥ IF SEL1 : Low
- ⑦ IF SEL2 : Low/(WIDE)
- ⑧ TUNING : Low
- ⑨ FL display : All off
- ⑩ LED display : STANDBY display is lit up

- ⑪ State :
- RAM state = All clear
 - Tuning mode = AUTO
 - P. ch memory = Test frequency
 - Last band = FM
 - Last frequency = Lowermost limit of each band.
 - Last P. ch = [-- ch]
 - Display mode = Frequency display
 - Encoder mode = TUNING

CIRCUIT DESCRIPTION

1.3 Test mode

{21ch ~ 30ch/2 - ch } : Group 3

(1) Method of setting

{31ch ~ 39ch/3 - ch } : Group 4

While holding the TUNING MODE key depressed, plug the AC power cord to the power outlet.

(2) Display of test mode

When the test mode is set, all FL tubes are lit up. The FL tubes are kept lit until there is a key entry which results in a change of the FL frequency display.

When the current channel is in group1, the 1 to 9 keys represent "01 ch" to "09 ch", and the 0 key represent "10 ch". Change from group 1 to another group does not occur until the + 10key is pressed.

(3) Operations in test mode

The operations are basically the same as in normal operation modes. Only difference lies in the processing accompanying the + 10 key and 0 key (numeric keys).

Pressing the + 10 key allows to change the group. When it is pressed while the current group is group 1, the display changes to "1- ch" and the current group changed to group 2. Pressing the key while the current group is group 2 changes it to group 3 ("2- ch" display), pressing the key while the current group is group 3 changes it to group 4 ("3- ch" display), and pressing the key while the current group is group 4 changes it to group 1 ("0- ch" display).

Namely, the preset channel definition method using the + 10 key and numeric keys is different in the test mode. The preset channels are divided into four groups as shown below.

{01ch ~ 10ch/0 - ch/ - - ch } : Group 1

{11ch ~ 20ch/1 - ch } : Group 2

(4) Method of canceling

Unplug the AC power cord.

1.4 Function of diodes and switches

Type	Diode SW				Band	Receiving frequency range	Inter channel space	IF	RF
	3	2	1	0					
J	1	0	0	0	FM	76.0 MHz ~ 90.0 MHz	100 kHz	-10.7 MHz	25 kHz
					AM	531kHz ~ 1602 kHz	9 kHz	+450 kHz	9 kHz
P, M ₁	0	1	0	0	FM	87.5 MHz ~ 108.0 MHz	100 kHz	+10.7 MHz	25 kHz
					AM	530 kHz ~ 1610 kHz	10 kHz	+450 kHz	10 kHz
K	0	1	1	0	FM	87.5 MHz ~ 108.0 MHz	100 kHz	+10.7 MHz	25 kHz
					AM	530 kHz ~ 1700 kHz	10 kHz	+450 kHz	10 kHz
X, T E, M ₂	0	0	0	0	FM	87.5 MHz ~ 108.0 MHz	25 kHz	+10.7 MHz	25 kHz
							50 kHz		
					AM	531 kHz ~ 1602 kHz	9 kHz	+450 kHz	9 kHz

0: Without diode

1: With diode

DIODE SW 0 → Preset memory mode
 0 : 3 memories (Band, frequency and character)
 1 : 6 memories (Band, frequency, character, IF, RF and MONO/ST)

DIODE SW 1 → 0 : AM NARROW
 1 : AM WIDE

DIODE SW 2 → M type is modified into type M1 or M2 by replacing with CHANNEL SPACE SW.
 0 : FM 25kHz/step, AM 9kHz/step
 1 : FM100kHz/step, AM10kHz/step

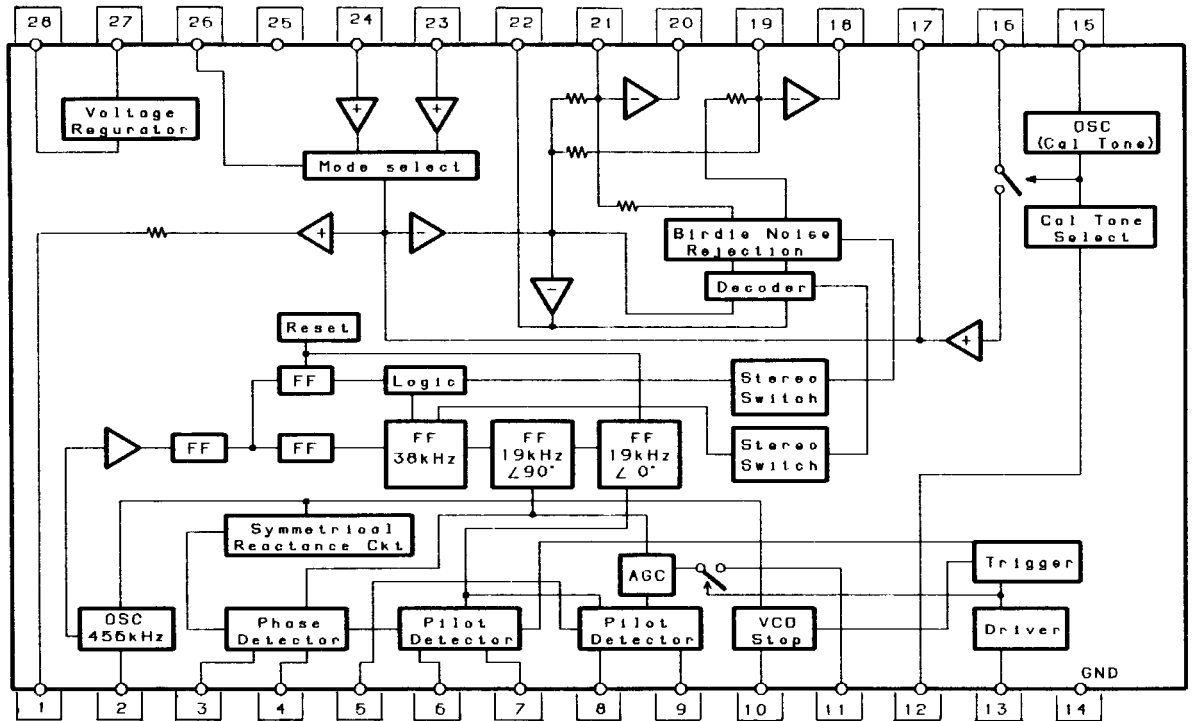
DIODE SW 3 → 0 : P, M, X, T and E type

KT-6040


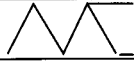
CIRCUIT DESCRIPTION

2. LA3450 (X05 : IC17) FM MPX

Block diagram



Terminal description

Pin No.	Voltage	Pin name	Remarks
1	5.7 V	Composite amplifier output	Output resistor 1kΩ
2	-	OSC	 4.3 V $f \approx 456$ kHz 2.3 V
3, 4	2.6 V	Loop filter	
5	2.6 V	PLL input	
6, 7	2.6 V	Pilot synchronism detector filter	
8, 9	2.6 V	Pilot synchronism detector filter	For pilot cancel
10	-	VCO stop	Input resistor 120kΩ
11	-	Pilot cancel	Chopping wave output
12	3.8 V	Cal tone control	
13	-	Stereo indicator	Open collector
14	0	GND	
15	-	Cal tone oscillate output	 2.8 V $f \approx 400$ Hz 1.2 V
16	5.7 V	Cal tone input	
17	5.7 V	Pilot cancel input	
18	5.7 V	Post amplifier output	Lch output
19	5.7 V	Post amplifier input	Lch input, (-) input
20	5.7 V	Post amplifier output	Rch output
21	5.7 V	Post amplifier input	Rch input, (-) input
22	5.7 V	Separation adjustment	
23	5.7 V	AM input	Input resistor 20kΩ
24	5.7 V	FM input	Input resistor 20kΩ
25	0	SIGNAL GND	
26	-	AM/FM select	Input resistor 120kΩ
27	5.7 V	Vref	Reference voltage
28	Vcc	Power supply	

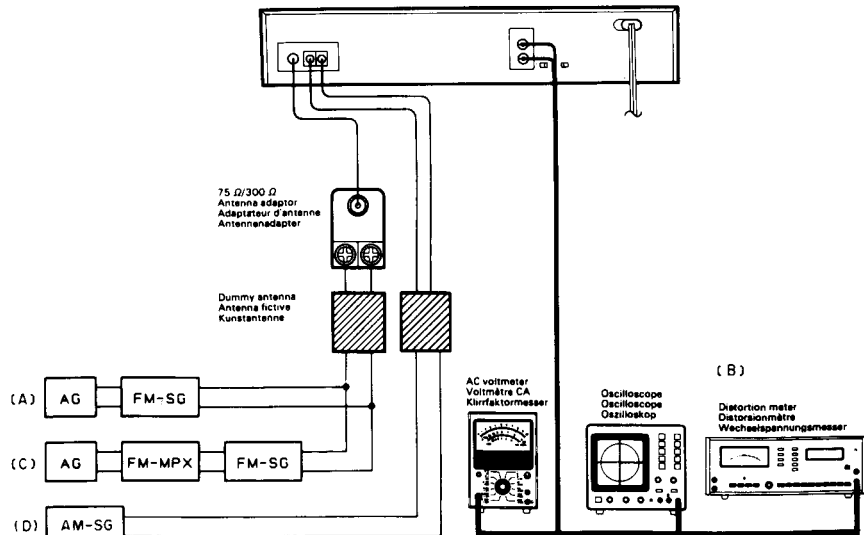
ADJUSTMENT

No.	ITEM	INPUT SETTINGS	OUTPUT SETTINGS	TUNER SETTINGS	ALIGNMENT POINTS	ALIGN FOR	FIG.
FM SECTION							
Unless otherwise specified, the individual switches should be set as following: SELECTOR:FM IF BAND:WIDE RF SELECTOR:DISTANCE A.R.:OFF TUNING MODE:AUTO PROGRAM:OFF							
1	V _T (1)	—	Connect a DC voltmeter between TP11(VT) and TP12.	87.5MHz	L12 (X05-)	3.0V	(a)
2	V _T (2)	—	Connect a DC voltmeter between TP11(VT) and TP12.	108.0MHz	TC1 (X05-)	25.0V	(a)
Repeat alignments 1 and 2 several times.							
3	VCO DETECTOR	(A) 98.0MHz Dev.ON(±75kHz)-OFF 100dBμ(ANT input)	Connect a DC voltmeter and an oscilloscope between TP4(DET OUT) and GND.	98.0MHz	L39 (X05-)	Turn the core to confirm an outout with dev.ON(±75kHz), then adjust the voltage to 0V±10mV with dev.OFF.	(b)
4	SENSITIVITY (1)	(A) 98.0MHz 1kHz,±75kHz dev	(B)	98.0MHz	★ L1.2,4,5,10 (X05-)	Maximum amplitude and symmetry of the oscilloscope display.	
★ Repeat the sequence from L1→L2→L4→L5→L10→L1→.....a few times.							
5	SENSITIVITY (2)	(A) 98.0MHz 1kHz,±75kHz dev	(B)	98.0MHz	L8 (X05-)	Maximum amplitude and symmetry of the oscilloscope display.	
6	AUTO-STOP SENSITIVITY (1)	(A) 98.0MHz 1kHz,±75kHz dev * 12dBμ(ANT input)	—	98.0MHz IF BAND: WIDE	VR1 (X05-)	Position where the 1st.point indicator lights when the control is rotated gradually counterclockwise from the most.	
7	AUTO-STOP SENSITIVITY (2)	(A) 98.0MHz 1kHz,±75kHz dev * 12dBμ(ANT input)	—	98.0MHz IF BAND: NORMAL	VR2 (X05-)	Position where the 1st.point indicator lights when the control is rotated gradually clockwise from the most.	
8	AUTO-STOP SENSITIVITY (3)	(A) 98.0MHz 1kHz,±75kHz dev * 12dBμ(ANT input)	—	98.0MHz IF BAND: NARROW	VR3 (X05-)	Position where the 1st.point indicator lights when the control is rotated gradually clockwise from the most.	
9	DISTORTION(1) MONO	(C) 98.0MHz SELECTOR: MONO 1kHz,±75kHz dev * 80dBμ(ANT input)	(B)	98.0MHz IF BAND: WIDE	VR4(DET) VR5(2nd) VR6(3rd) (X05-)	Minimum distortion.	
10	DISTORTION(2) MONO	(C) 98.0MHz SELECTOR: MONO 1kHz,±75kHz dev * 80dBμ(ANT input)	(B)	98.0MHz IF BAND: NORMAL	VR9(2nd) VR10(3rd) (X05-)	Minimum distortion.	
*X,T and E types:1kHz,±40kHz dev							
11	DISTORTION(3) STEREO	(C) 98.0MHz SELECTOR: L-R 1kHz,±68.25kHz dev Pilot:±6.75kHz dev 80dBμ(ANT input)	(B)	98.0MHz IF BAND: WIDE	VR7(2nd) (X05-)	Minimum distortion.	
12	DISTORTION(4) STEREO	(C) 98.0MHz SELECTOR: L-R 1kHz,±68.25kHz dev Pilot:±6.75kHz dev 80dBμ(ANT input)	(B)	98.0MHz IF BAND: WIDE	VR8(3rd) (X05-)	Minimum distortion.	
13	DISTORTION(5) STEREO	(C) 98.0MHz SELECTOR: L-R 1kHz,±68.25kHz dev Pilot:±6.75kHz dev 80dBμ(ANT input)	(B)	98.0MHz IF BAND: NORMAL	VR11(2nd) (X05-)	Minimum distortion.	

KT-6040

ADJUSTMENT

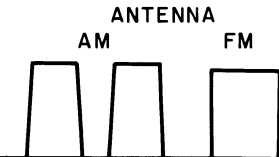
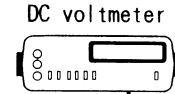
No.	ITEM	INPUT SETTINGS	OUTPUT SETTINGS	TUNER SETTINGS	ALIGNMENT POINTS	ALIGN FOR	FIG.
14	DISTORTION(6) STEREO	(C) 98.0MHz SELECTOR: L R 1kHz, ±68.25kHz dev Pilot: ±6.75kHz dev 80dBμ(Ant input)	(B)	98.0MHz IF BAND: NORMAL	VR12(3rd) (X05-)	Minimum distortion.	
15	DISTORTION(7) STEREO	(C) 98.0MHz SELECTOR: L-R 1kHz, ±68.25kHz dev Pilot: ±6.75kHz dev 80dBμ(Ant input)	(B)	98.0MHz IF BAND: NARROW	VR13 (X05-)	Minimum distortion.	
16	PILOT CANCEL	(C) 98.0MHz Pilot: ±6.75kHz dev 80dBμ(Ant input)	Connect an AC voltmeter and an oscilloscope between TP3(PC) and GND.	98.0MHz IF BAND: WIDE	L44 VR16 (X05-)	19kHz signal minimum level.	(c)
17	SEPARATION (1)	(C) 98.0MHz 1kHz, ±68.25kHz dev Pilot: ±6.75kHz dev 80dBμ(Ant input)	(B)	98.0MHz IF BAND: WIDE	VR17(L) VR18(R) (X05-)	Optimize the separation	
18	SEPARATION (2)	(C) 98.0MHz 1kHz, ±68.25kHz dev Pilot: ±6.75kHz dev 80dBμ(Ant input)	(B)	98.0MHz IF BAND: NORMAL	VR19(L) VR20(R) (X05-)	Optimize the separation	
19	SEPARATION (3)	(C) 98.0MHz 1kHz, ±68.25kHz dev Pilot: ±6.75kHz dev 80dBμ(Ant input)	(B)	98.0MHz IF BAND: NARROW	VR21 (X05-)	Optimize the separation	
AM SECTION Keep the AM loop antenna installed. SELECTOR:AM TUNING MODE:AUTO PROGRAM:OFF							
[1]	V T (1)	-	Connect a DC voltmeter between TP11(VT) and TP12.	530kHz	L51 (X05-)	1.5V	(a)
[2]	V T (2)	-	Connect a DC voltmeter between TP11(VT) and TP12.	1610kHz	TC2 (X05-)	8.0V	(a)
Repeat alignments [1] and [2] several times.							
[3]	SENSITIVITY (1)	(D) ☆ 630kHz 1kHz, 30% mod	(B)	630kHz	L52 (X05-)	Maximum amplitude and symmetry of the oscilloscope display.	
[4]	SENSITIVITY (2)	(D) ☆ 1440kHz 1kHz, 30% mod	(B)	1440kHz	TC3 (X05-)	Maximum amplitude and symmetry of the oscilloscope display.	
Repeat alignments [3] and [4] several times.							
☆ The peak will be easier to locate if the test loop antenna is used.							



PC BOARD (Component side view)

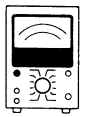
FM SECTION
(a)VT(1):3.0V
VT(2):25.0V

AM SECTION
(a)VT(1):1.5V
VT(2):8.0V

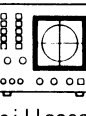


(c)PILOT CANCEL
19kHz signal minimum level.

AC voltmeter



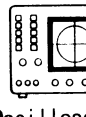
Oscilloscope



DC voltmeter

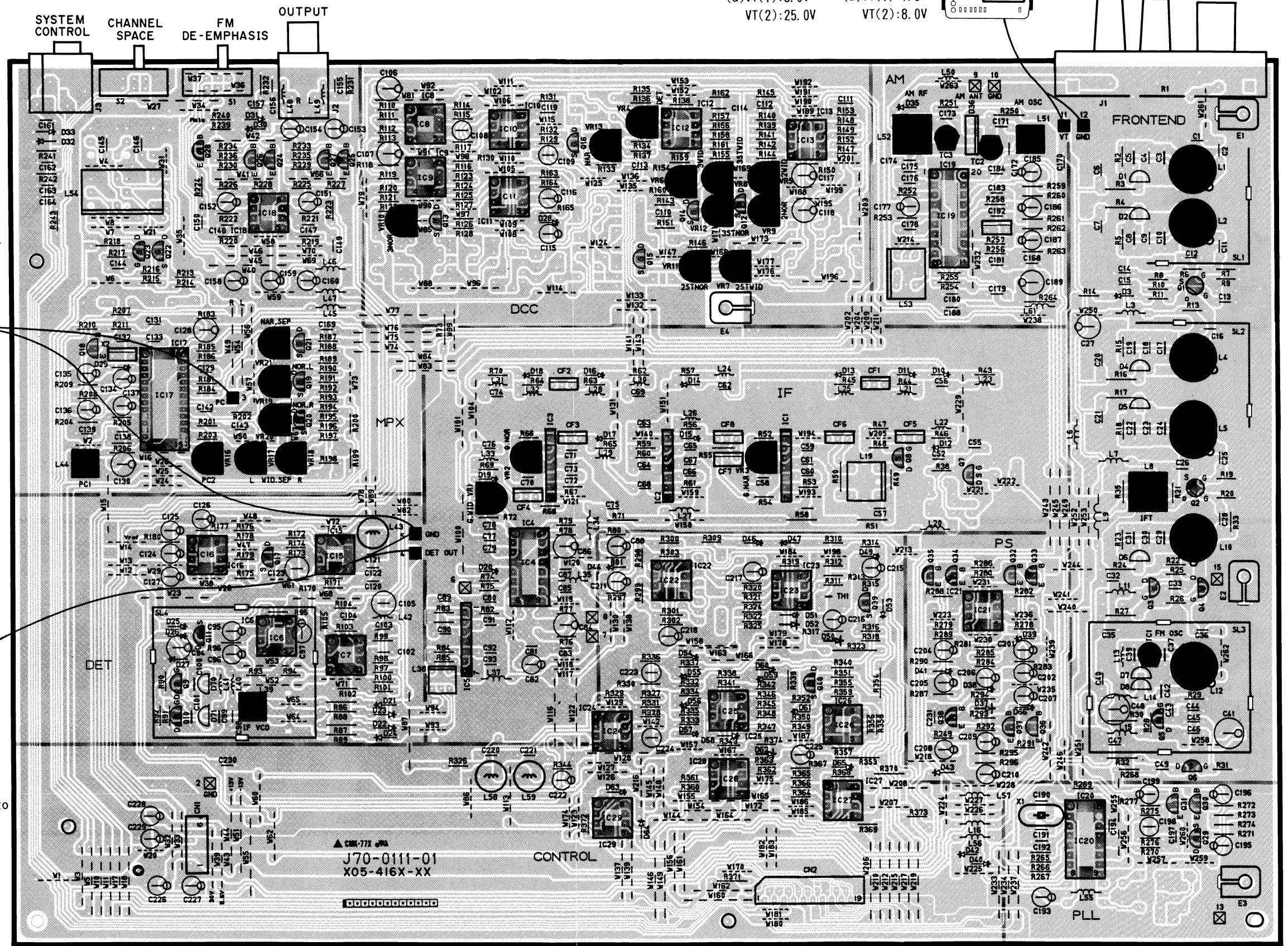


Oscilloscope



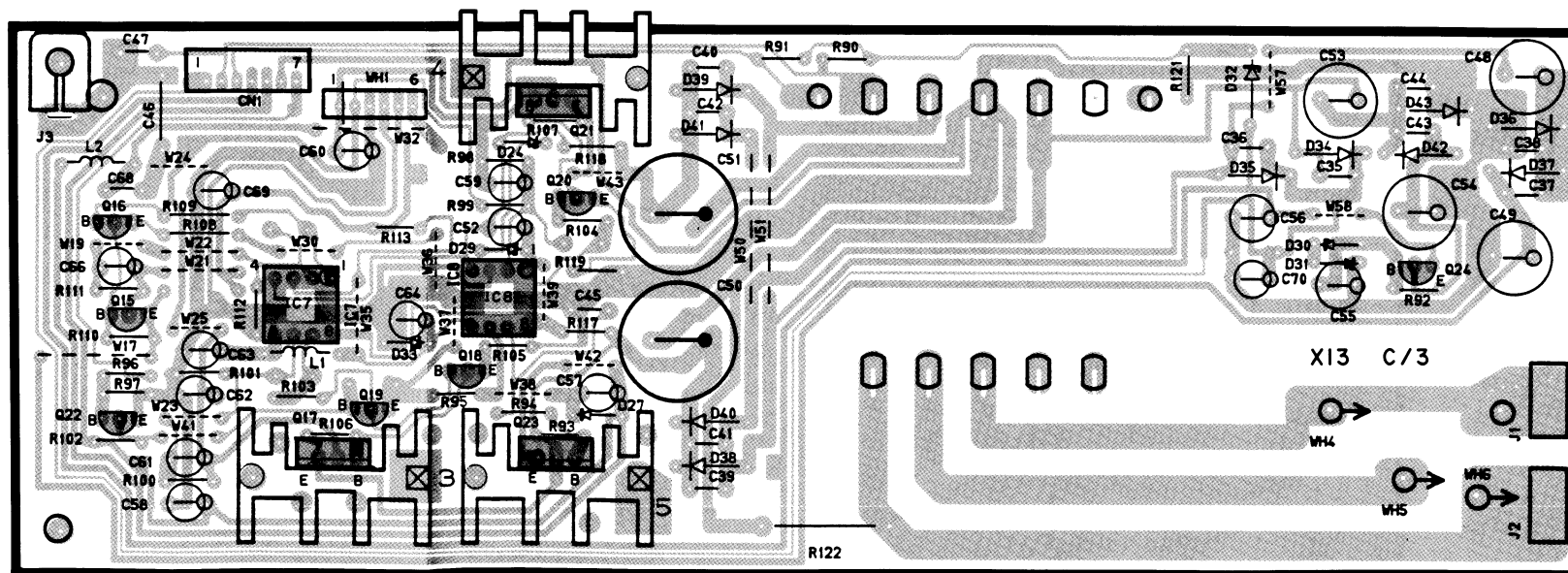
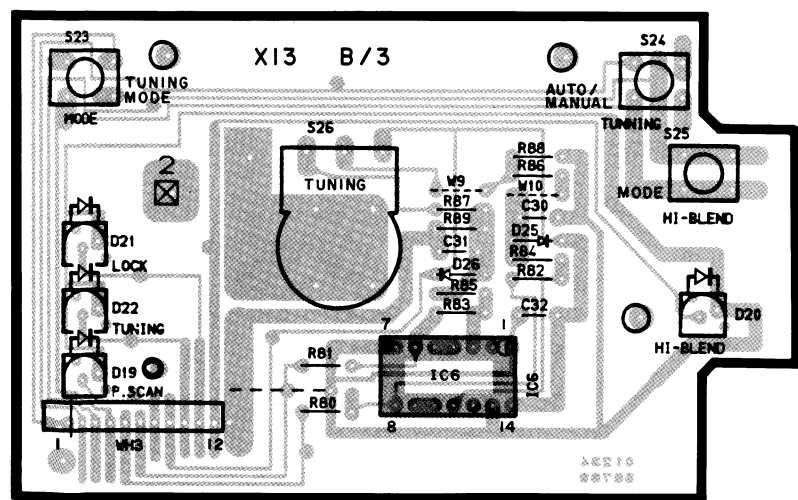
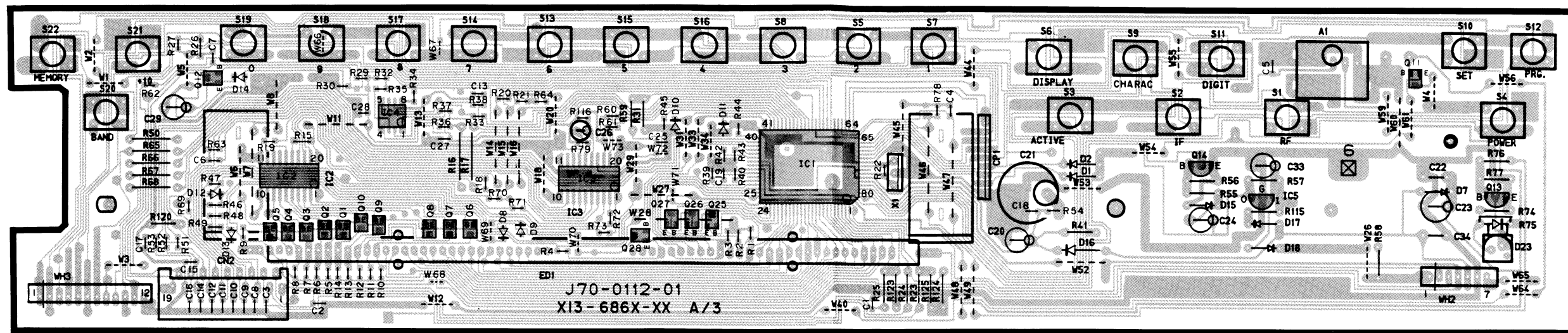
(b)VCO DETECTOR

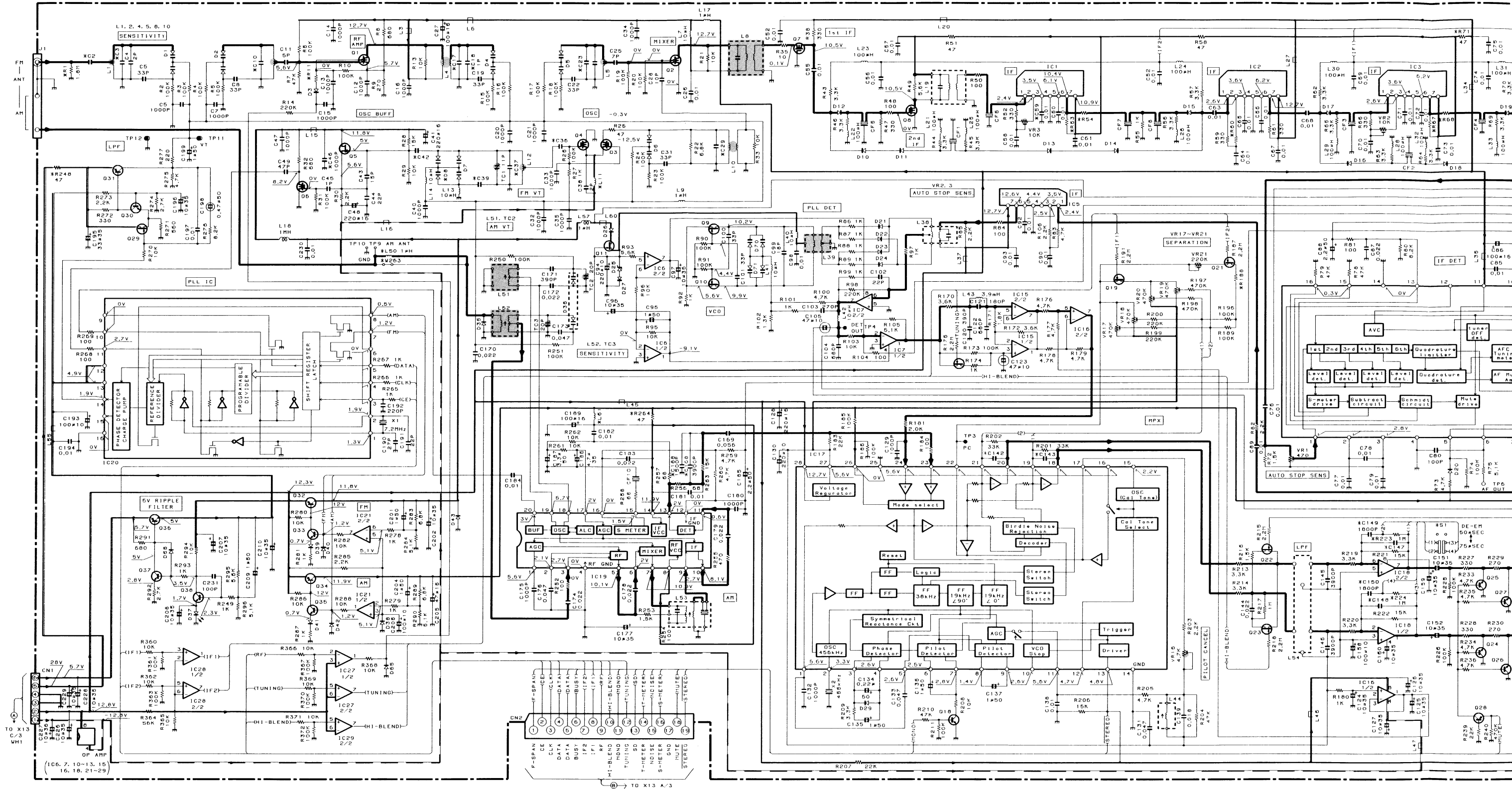
Turn the core confirm an output with dev.ON ($\pm 75\text{kHz}$), then adjust the the voltage to $0\text{V} \pm 10\text{mV}$ with dev.OFF.



▲CM-771 JMA
J70-0111-01
X05-416X-XX

PC BOARD (Component side view)





CAUTION: For continued safety, replace safety critical components only with manufacturer's recommended parts (refer to parts list). Δ Indicates safety critical components. To reduce the risk of electric shock, leakage-current or resistance measurements shall be carried out (exposed parts are acceptably insulated from the supply circuit) before the appliance is returned to the customer.

DC voltages are as measured with a high-impedance voltmeter during reception of the FM broadcast signal (with a signal strength of 60 dB at the ANT terminal). Values may vary slightly due to variations between individual instruments or/and units. Values in parentheses are as measured during reception of the AM broadcast signal (with a signal strength of 60 dB at the ANT terminal).

Les tensions c.c. doivent être mesurées avec un voltmètre à haute impédance pendant la réception d'un signal de programme FM (avec une force de signal de 60 dB à la borne ANT). Les valeurs peuvent différer légèrement du fait des variations inhérentes aux appareils et aux instruments de mesure individuels. Les valeurs entre parenthèses doivent être mesurées pendant la réception d'un signal de programme AM avec une force de signal de 60 dB à la borne ANT).

Die angegebene Messwerte sind für die Messung eines UKW-Antennensignals mit einer Signalstärke von 60 dB bei Empfang mit einer Antenne mit einer Länge von 60 dB an der Antennenanschlus-

2

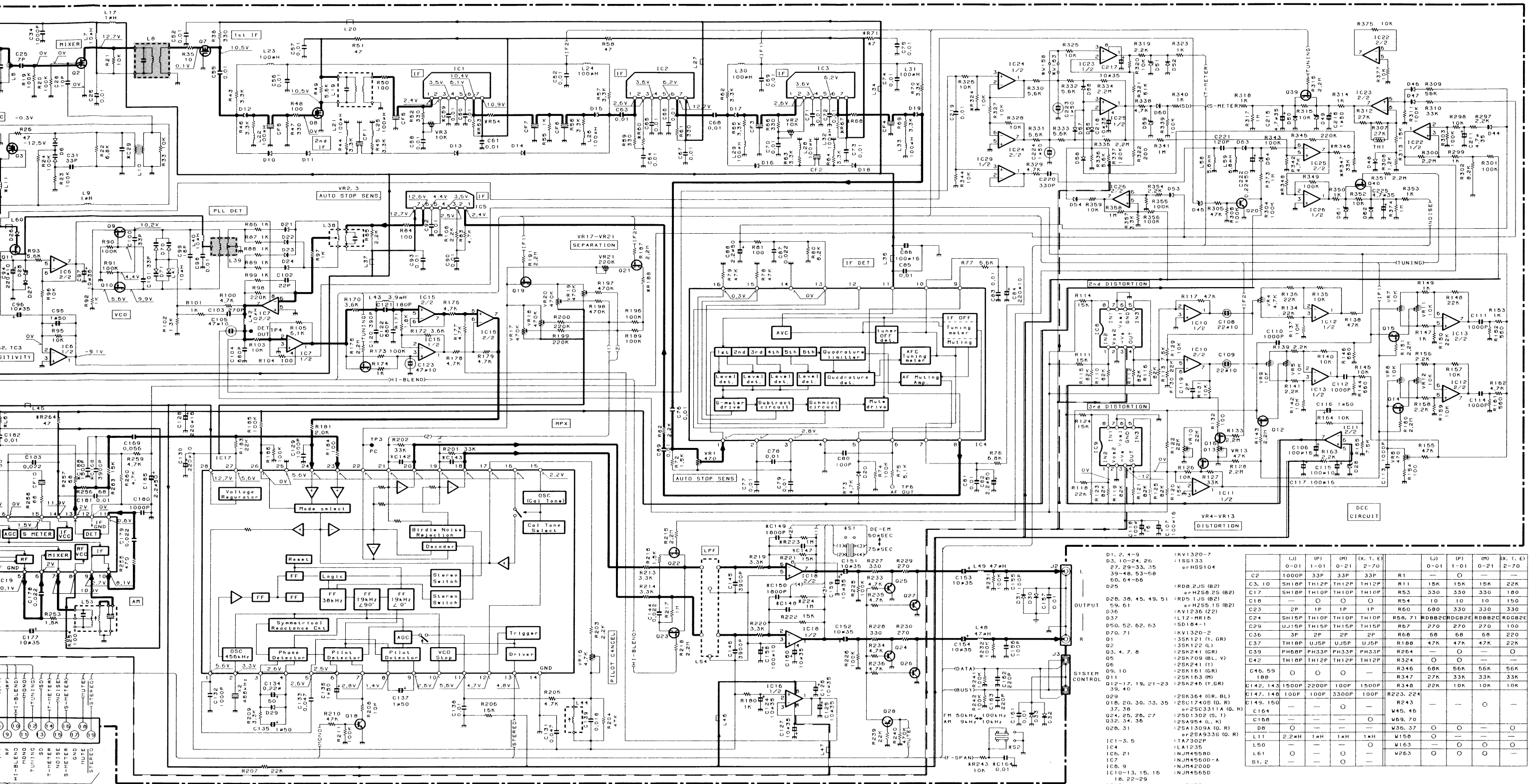
3

4

5

6

7

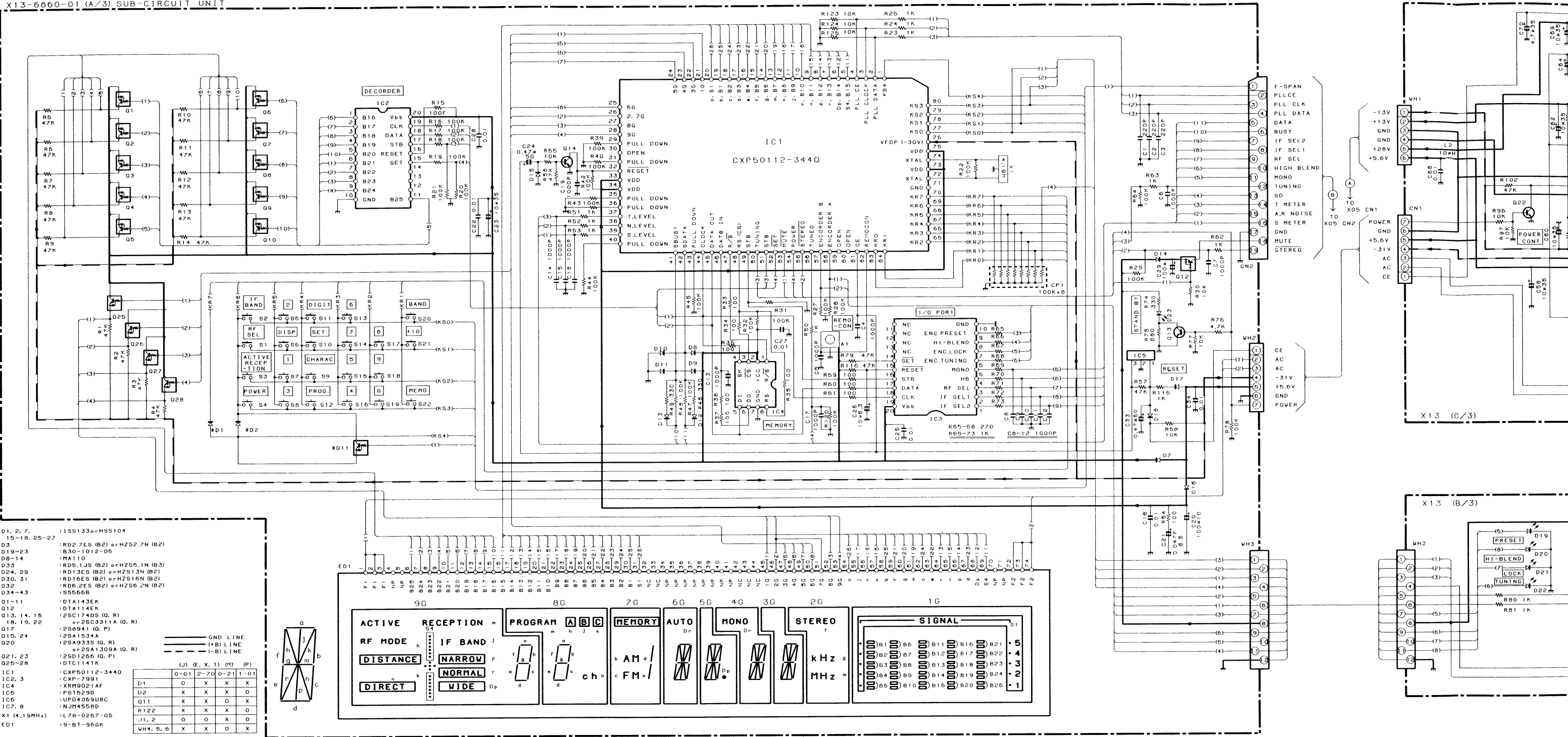


Component	(J)	(P)	(M)	(X, T, E)	(J)	(P)	(M)	(X, T, E)
C2	0-01	1-01	0-21	2-70	R1	0-01	1-01	0-21
C3, 10	SH10P	TH12P	TH12P	TH12P	R11	15K	15K	15K
C7	SH10P	TH10P	TH10P	TH10P	R53	330	330	330
C16	—	—	—	—	R54	10	10	10
C23	2P	1P	1P	1P	R60	680	330	330
C24	SH15P	TH10P	TH10P	TH10P	R56, 71	RDBB2C	RDBB2C	RDBB2C
C29	UH15P	TH15P	TH15P	TH15P	R67	270	270	270
C36	3P	2P	2P	2P	R68	68	68	68
C37	TH10P	UH5P	UH5P	UH5P	R188	47K	47K	47K
C39	PH60P	PH33P	PH33P	PH33P	R264	—	—	—
C42	TH10P	TH12P	TH12P	TH12P	R324	—	—	—
C46, 59	—	—	—	—	R346	68K	56K	56K
C188	—	—	—	—	R347	27K	33K	33K
C142, 143	1500P	2200P	100P	1500P	R348	22K	10K	10K
C147, 148	100P	100P	3300P	100P	R223, 224	—	—	—
C149, 150	—	—	—	—	R243	—	—	—
C164	—	—	—	—	R45, 46	—	—	—
C168	—	—	—	—	R53, 302	—	—	—
DB	—	—	—	—	R36, 37	—	—	—
L11	2,2#H	1#H	1#H	1#H	W150	—	—	—
L50	—	—	—	—	W163	—	—	—
L61	—	—	—	—	W263	—	—	—
SI, 2	—	—	—	—	—	—	—	—

DC voltages are as measured with a high-impedance voltmeter during reception of the FM broadcast signal (with a signal strength of 60 dB at the ANT terminal). Values may vary slightly due to variations between individual instruments or/and units. Values in parentheses are as measured during reception of the AM broadcast signal (with a signal strength of 60 dB at the ANT terminal).

Les tensions c.c. doivent être mesurées avec un voltmètre à haute impédance pendant la réception d'un signal de programme FM (avec une force de signal de 60 dB à la borne ANT). Les valeurs peuvent différer légèrement du fait des variations inhérentes aux appareils et aux instruments de mesure individuels. Les valeurs entre parenthèses doivent être mesurées pendant la réception d'un signal de programme AM avec une force de signal de 60 dB à la borne ANT).

Die angegebenen Gleichspannungswerte wurden mit einem hochohmigen Spannungsmesser bei Empfang eines UKW-Signals (mit einer Feldstärke von 60 dB am Antennenanschluß) gemessen. Dabei schwanken die Meßwerte aufgrund von Unterschieden zwischen einzelnen Instrumenten oder Geräten u.U. geringfügig. Die eingeklammerten Gleichspannungswerte wurden bei Empfang eines MW-Signals (mit einer Feldstärke von 60 dB am Antennenanschluß) gemessen.

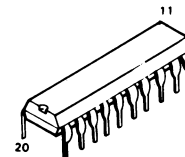


CAUTION: For continued safety, replace safety critical components only with manufacturer's recommended parts (refer to parts list). **⚠** Indicates safety critical components. To reduce the risk of electric shock, leakage-current or resistance measurements shall be carried out (exposed parts are acceptably insulated from the supply circuit) before the appliance is returned to the customer.

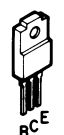
DC voltages are as measured with a high-impedance voltmeter during reception of the FM broadcast signal (with a signal strength of 60 dB at the ANT terminal). Values may vary slightly due to variations between individual instruments or/and units. Values in parentheses are as measured during reception of the AM broadcast signal (with a signal strength of 60 dB at the ANT terminal).

Les tensions c.c. doivent être mesurées avec un voltmètre à haute impédance pendant la réception d'un signal de programme FM (avec une force de signal de 60 dB à la borne ANT). Les valeurs peuvent différer légèrement du fait des variations inhérentes aux appareils et aux instruments de mesure individuels. Les valeurs entre parenthèses doivent être mesurées pendant la réception d'un signal de programme AM avec une force de signal de 60 dB à la borne ANT).

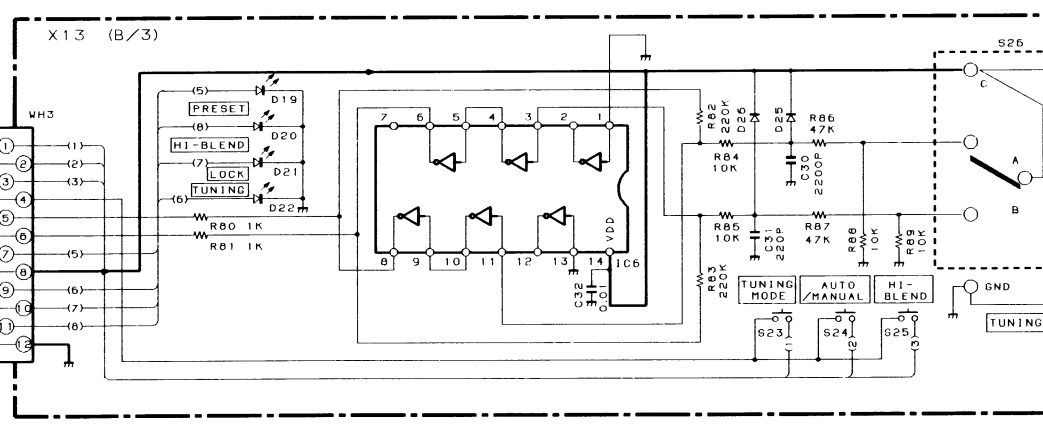
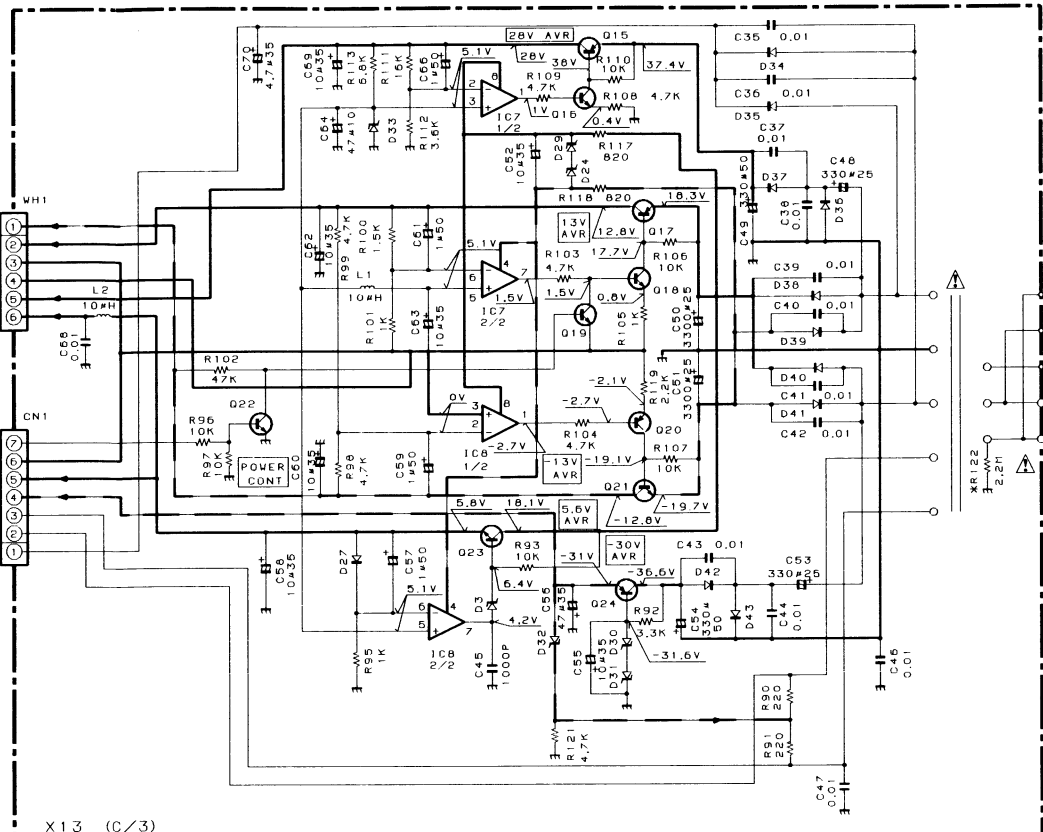
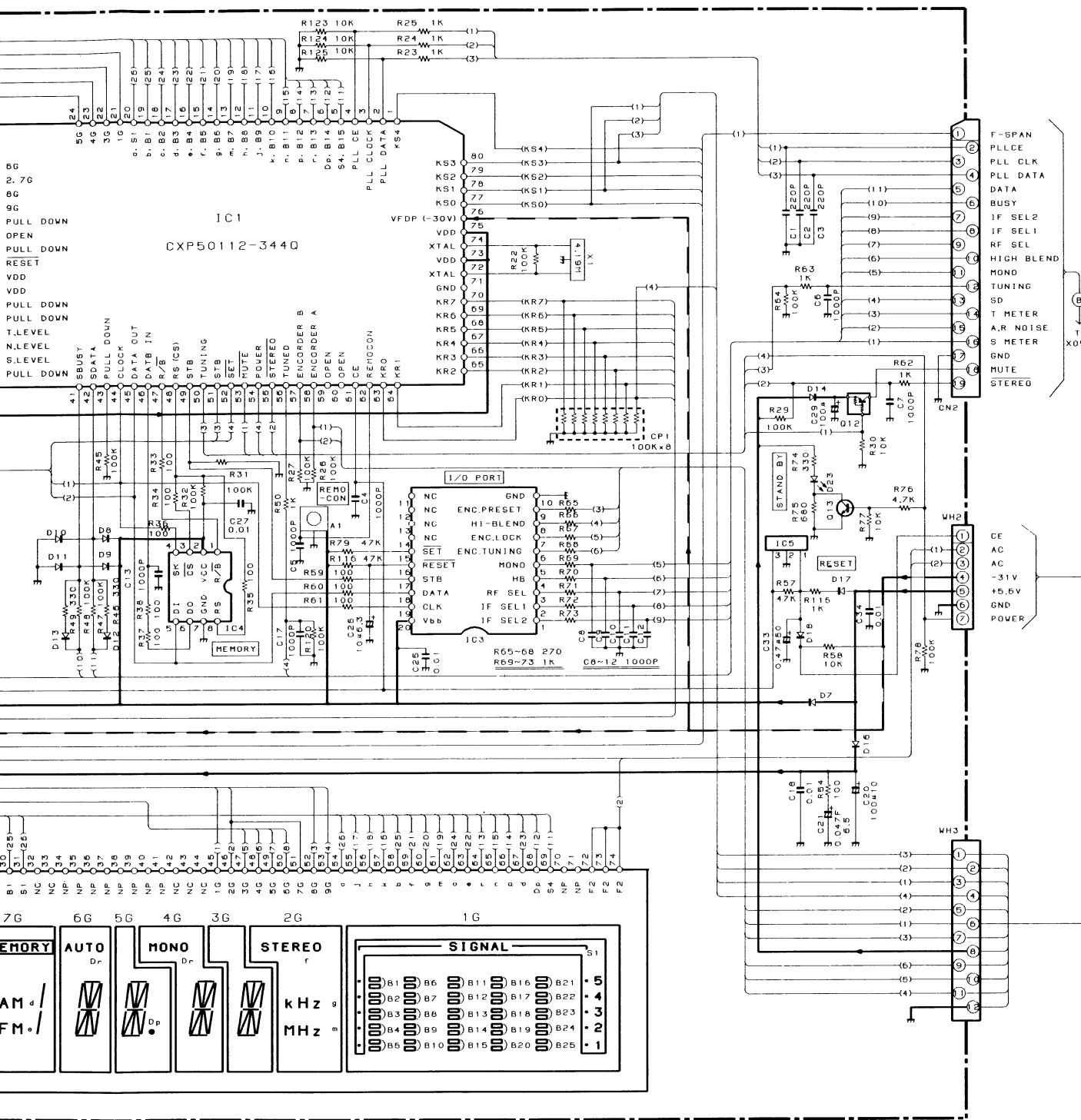
Die angegebenen Gleichspannungswerte wurden mit einem hochohmigen Spannungsmesser bei Empfang eines UKW-Signals (mit einer Feldstärke von 60 dB am Antennenanschluß) gemessen. Dabei schwanken die Meßwerte aufgrund von Unterschieden zwischen einzelnen Instrumenten oder Geräten u.U. geringfügig. Die eingeklammerten Gleichspannungswerte wurden bei Empfang eines MW-Signals (mit einer Feldstärke von 60 dB am Antennenanschluß) gemessen.



LA1245



2SB941



- PST529D
- 2SK163
2SK364
- 2SA1534A
2SA954
2SD1302
- 2SK246
- 2SK161
2SK241
- 2SA1309A
2SC3311A
- 3SK122
- DTA114EK
DTA143EK
DTC114TK
- XRM9021AF

Les tensions c.c. doivent être mesurées avec un voltmètre à haute impédance pendant la réception d'un signal de programme FM (avec une force de signal de 60 dB à la borne ANT). Les valeurs peuvent différer légèrement du fait des variations inhérentes aux appareils et aux instruments de mesure individuels.
Les valeurs entre parenthèses doivent être mesurées pendant la réception d'un signal de programme AM avec une force de signal de 60 dB à la borne ANT).

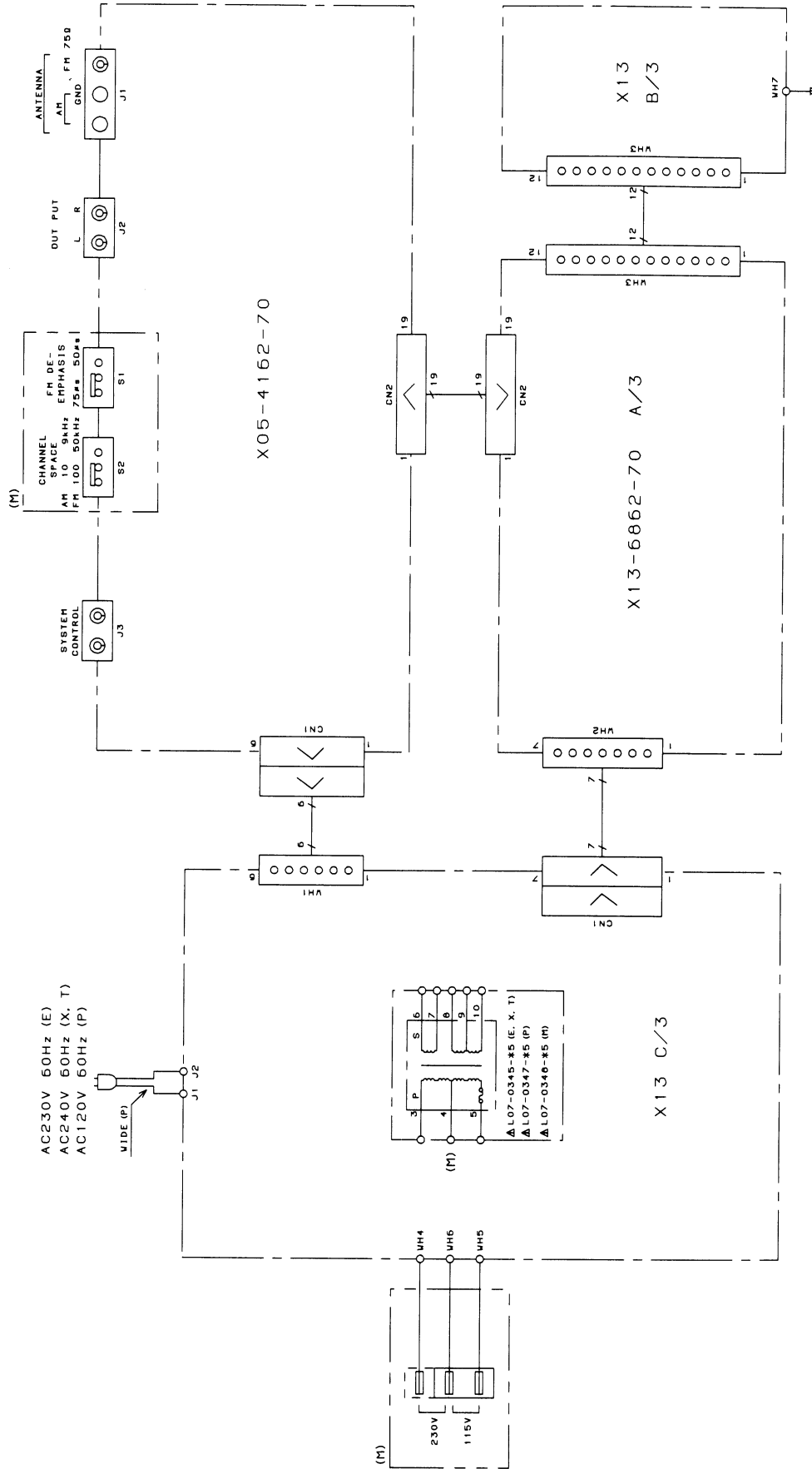
Die angegebenen Gleichspannungswerte wurden mit einem hochohmigen Spannungsmesser bei Empfang eines UKW-Signals (mit einer Feldstärke von 60 dB am Antennenanschluß) gemessen. Dabei schwanken die Meßwerte aufgrund von Unterschieden zwischen einzelnen Instrumenten oder Geräten u.U. geringfügig. Die eingeklammerten Gleichspannungswerte wurden bei Empfang eines MW-Signals (mit einer Feldstärke von 60 dB am Antennenanschluß) gemessen.

- LA1245
- 2SB941
- NJM4200D
NJM4558D
NJM4560D-A
NJM4565D
- 2SA933S
2SC1740S
- LA1235
LM7001
- 2SD1266
- TA7302P
- UPD4069UBC

Y07-3482-70

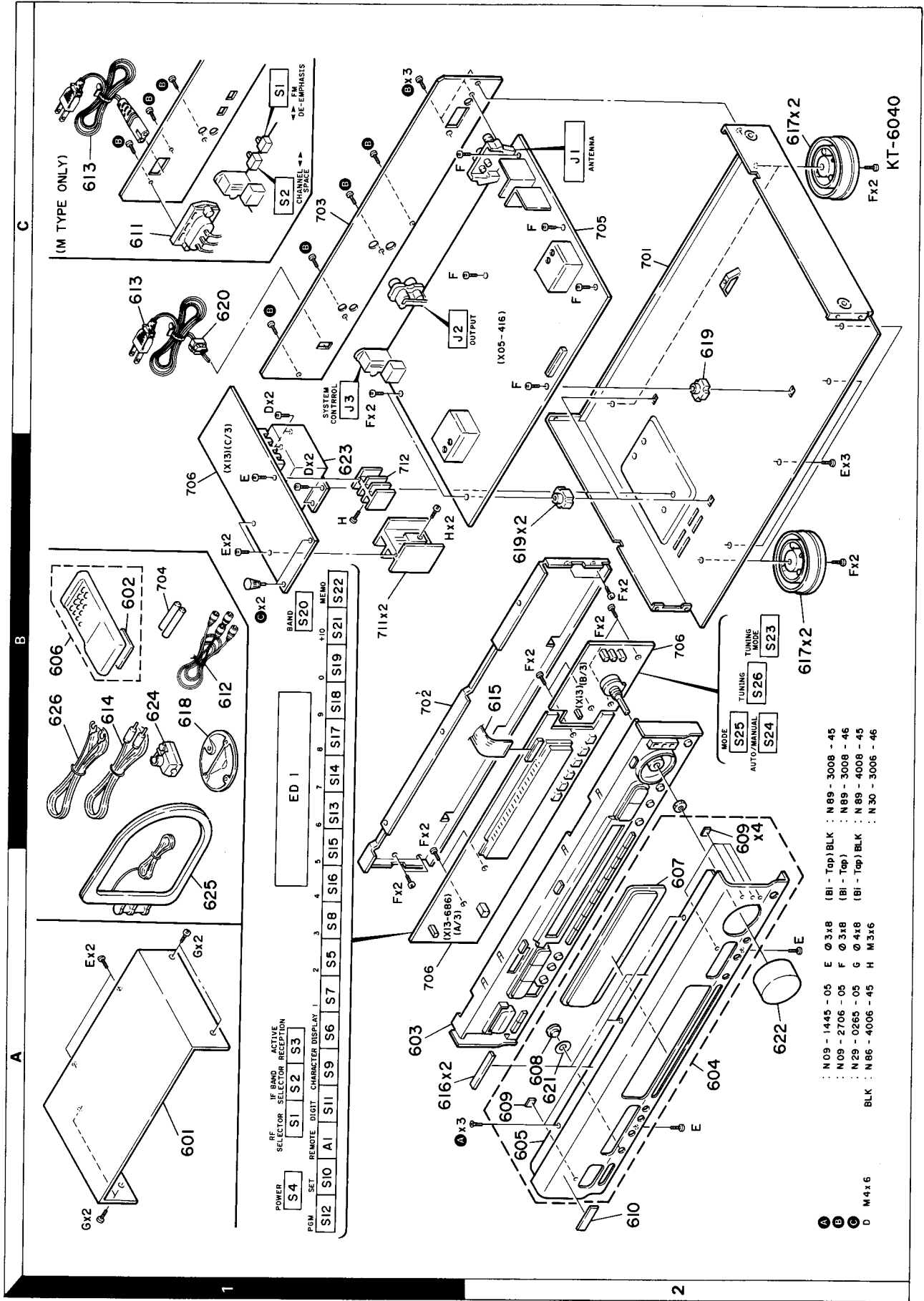
KT-6040
KENWOOD

WIRING DIAGRAM



KT-6040

EXPLODED VIEW



- MODE S25 TUNING MODE S26
- AUTO/MANUAL S24
- N 09 - 1445 - 05 E Ø 3x8 (BI - Top) BLK : N 89 - 3008 - 45
- N 09 - 2706 - 05 F Ø 3x8 (BI - Top) : N 89 - 3008 - 46
- N 29 - 0265 - 05 G Ø 4x8 (BI - Top) BLK : N 89 - 4008 - 45
- N 86 - 4006 - 45 H M3x6 : N 30 - 3006 - 46

- A Ø 3x8
- B Ø 3x8
- C Ø 4x8
- D M3x6

PARTS LIST

* New Parts
 Parts without Parts No. are not supplied.
 Les articles non mentionnés dans le Parts No. ne sont pas fournis.
 Teile ohne Parts No. werden nicht geliefert.

No.2

Ref. No. 参照番号	Address 位置	New Parts 新部品	Parts No. 部品番号	Description 部品名 / 規格	Re- marks 備考
C			N29-0265-05	PUSH RIVET	
D			N86-4006-45	BINDING HEAD TAPITITE SCREW	
E			N89-3008-45	BINDING HEAD TAPITITE SCREW	
F			N89-3008-46	BINDING HEAD TAPITITE SCREW	
G			N89-4008-45	BINDING HEAD TAPITITE SCREW	
624	1B		T90-0136-05	ANTENNA ADAPTOR	
625	1A		T90-0173-05	LOOP ANTENNA	
626	1B		T90-0176-05	I TYPE ANTENNA	
TUNER UNIT (X05-4162-70)					
D37			LITZ-MR15	LED	
C2			CC45FSL1H330J	CERAMIC	J
C3			CC45FTH1H120J	CERAMIC	J
C4			CC45FSL1H020C	CERAMIC	C
C5			CC45FPH1H330J	CERAMIC	J
C6, 7			CK45FB1H102K	CERAMIC	K
C8			CC45FPH1H330J	CERAMIC	J
C10			CC45FTH1H120J	CERAMIC	J
C11			CC45FSL1H050C	CERAMIC	C
C12-16			CK45FB1H102K	CERAMIC	K
C17			CC45FTH1H100D	CERAMIC	D
C18			CC45FSL1H010C	CERAMIC	C
C19			CC45FPH1H330J	CERAMIC	J
C20, 21			CK45FB1H102K	CERAMIC	K
C22			CC45FPH1H330J	CERAMIC	J
C23			CC45FSL1H010C	CERAMIC	C
C24			CC45FTH1H100D	CERAMIC	D
C25			CC45FSL1H070D	CERAMIC	D
C26			CK45FF1H103Z	CERAMIC	0.010UF Z
C27			CE04KW101M	ELECTRØ	16WV
C28			CC45FSL1H100D	CERAMIC	10PF D
C29			CC45FTH1H150J	CERAMIC	15PF J
C31			CC45FPH1H330J	CERAMIC	33PF J
C32-35			CK45FB1H102K	CERAMIC	K
C36			CC45FSL1H020C	CERAMIC	2.0PF C
C37			CC45FUJ1H050C	CERAMIC	5.0PF C
C38			CC45FSL1H020C	CERAMIC	2.0PF C
C39			CC45FPH1H330J	CERAMIC	33PF J
C40			CK45FB1H102K	CERAMIC	K
C41			CE04KW1C221M	ELECTRØ	220UF 16WV
C42			CC45FTH1H120J	CERAMIC	12PF J
C43			CC45FSL1H150J	CERAMIC	15PF J
C44			CC45FSL1H220D	CERAMIC	22PF D
C45			CC45FSL1H010C	CERAMIC	1.0PF C
C46			CK45FB1H102K	CERAMIC	K
C47			CK45FB1H102K	CERAMIC	K
C48			CE04KW1C221M	ELECTRØ	220UF 16WV
C49			CC45FSL1H470J	CERAMIC	47PF J
C52			CK45FF1H103Z	CERAMIC	0.010UF Z
C55-58			CK45FF1H103Z	CERAMIC	0.010UF Z
C59			CK45FF1H103Z	CERAMIC	0.010UF Z
C60-79			CK45FF1H103Z	CERAMIC	0.010UF Z
C80			CC45FSL1H101J	CERAMIC	100PF J
C81			CK45FF1H103Z	CERAMIC	0.010UF Z
C82			CE04KW1H2H2M	ELECTRØ	2.2UF 50WV

* New Parts
 Parts without Parts No. are not supplied.
 Les articles non mentionnés dans le Parts No. ne sont pas fournis.
 Teile ohne Parts No. werden nicht geliefert.

No.1

Ref. No. 参照番号	Address 位置	New Parts 新部品	Parts No. 部品番号	Description 部品名 / 規格	Re- marks 備考
KT-6040					
601	1A		A01-1801-01	METALLIC CABINET	PMX
602	1B		A09-0114-08	BATTERY COVER	
603	1A	*	A22-1502-01	SUB PANEL	
604	2A	*	A60-0096-02	PANEL ASSY	
605	2A	*	A60-0097-02	PANEL	
606	1B	*	A70-0542-05	REMOTE CONTROLLER ASSY	PM
606	1B	*	A70-0563-05	REMOTE CONTROLLER ASSY	X
607	2A	*	B10-1863-03	FRONT GLASS	
608	2A	*	B11-0237-04	COLOR FILTER	
609	2A	*	B12-0162-04	INDICATOR	X
610	2A	*	B43-0287-04	KENWOOD BADGE	
-			B46-0096-23	WARRANTY CARD	P
-			B46-0121-03	WARRANTY CARD	E
-			B46-0122-13	WARRANTY CARD	T
-			B46-0143-13	WARRANTY CARD	EP
-		*	B60-0544-00	INSTRUCTION MANUAL (ENGLISH)	
-		*	B60-0546-00	INSTRUCTION MANUAL (FRENCH)	
-		*	B60-0547-00	INSTRUCTION MANUAL (G.D.I.)	E
-		*	B60-0548-00	INSTRUCTION MANUAL (SPA, CHI)	M
611	1C		E03-0102-25	AC INLET	M
612	1B		E30-0505-05	AUDIO CORD	
613	1C		E30-0459-05	AC POWER CORD	E
614	1C		E30-0974-05	AC POWER CORD	P
615	1C		E30-1329-05	AC POWER CORD (INLET)	M
613	1C		E30-1341-05	AC POWER CORD	X
615	1C		E30-1416-05	AC POWER CORD	T
614	1B		E30-0977-05	CORD WITH PLUG	
615	2B		E31-4790-05	WIRING HARNESS	
616	1A		G11-0185-04	SOFT TAPE (120X5X2)	
-		*	H10-5162-02	POLYSTYRENE FOAMED FIXTURE	
-		*	H10-5163-02	POLYSTYRENE FOAMED FIXTURE	
-			H25-0181-04	PROTECTION BAG (150X260X0.05)	EPMX
-			H25-0224-04	PROTECTION BAG (800X400X0.05)	EPMX
-			H25-0232-04	PROTECTION BAG (235X350X0.05)	
-		*	H25-0651-04	PROTECTION BAG (0232 PRINTED)	T
-		*	H25-0653-04	PROTECTION BAG (0224 PRINTED)	T
-		*	H50-0125-04	ITEN CARTON CASE	
617	2B, 2C		I02-1002-05	FOOT	
618	1B		I19-2915-04	ANTENNA HOLDER	
619	2B, 2C		I19-3179-05	ANTENNA HOLDER	
620	1C		I42-0083-05	POWER CORD BUSHING	EPXT
621	2A	*	J69-0080-04	ADHESIVE TAPE	
-			J61-0307-05	WIRE BAND	M
622	2A	*	K29-4292-04	KNOB (TUNING)	
623	1B	*	L07-0345-05	POWER TRANSFORMER	EPXT
623	1B	*	L07-0346-05	POWER TRANSFORMER	P
623	1B	*	L07-0348-05	POWER TRANSFORMER	M
A			N09-1445-05	SET SCREW (M3X8)	
B			N09-2706-05	TAPITITE SCREW	

L:Scandinavia
 M:USA
 P:Canada
 T:England
 E:Europe
 X:Australia
 M:Other Areas
 Y:PX(Far East, Hawaii)
 Y:AFES(Europe)

△ indicates safety critical components.

PARTS LIST

x New Parts
 Parts without Parts No. are not supplied.
 Les articles non mentionnés dans le Parts No. ne sont pas fournis.
 Teile ohne Parts No. werden nicht geliefert.

No.4

Ref. No. 参照番号	Address 位置	New Parts 新部品番号	Parts No. 部品番号	Description 部品名 / 規格	Desti- nation 仕向備考	Re- marks 備考
C164			CK45FF1H103Z	CERAMIC	M	
C168			CF92FV1H392J	MF	EXT	
C169			CF92FV1H563J	MF		
C170			CK45FF1H223Z	CERAMIC		
C171			C093FCH1H391J	CERAMIC		
C172			CK45FF1H223Z	CERAMIC		
C173			CK45FF1H473Z	CERAMIC		
C174			CK45FF1H223Z	CERAMIC		
C175			CK45FB1H102K	CERAMIC		
C176			CK45FF1H473Z	CERAMIC		
C177			CE04KW1V100M	ELECTR0		
C178, 179			CK45FF1H223Z	CERAMIC		
C180			CK45FB1H102K	CERAMIC		
C181			CF92FV1H103J	MF		
C182			CK45FF1H103Z	CERAMIC		
C183			CK45FF1H223Z	CERAMIC		
C184			CK45FF1H103Z	CERAMIC		
C185			CE04KW1H2R2M	ELECTR0		
C186			CE04KW1V4R7M	ELECTR0		
C187			CE04KW1H3R3M	ELECTR0		
C188			CF92FV1H152J	MF	PH	
C189			CE04KW1C101M	ELECTR0		
C190			CC45FCH1H270J	CERAMIC		
C191			CC45FCH1H220J	CERAMIC		
C192			CC45FSL1H221J	CERAMIC		
C193			CE04KW1A101M	ELECTR0		
C194			CK45FF1H103Z	CERAMIC		
C195			CE04KW1V330M	ELECTR0		
C196			CE04KW1V100M	ELECTR0		
C197			CK45FF1H103Z	CERAMIC		
C198			C90-1331-05	NP-ELEC		
C199			CE04KW1H010M	ELECTR0		
C201			CE04KW1H010M	ELECTR0		
C202			CE04KW1V100M	ELECTR0		
C204			CE04KW1H010M	ELECTR0		
C205			CE04KW1C470M	ELECTR0		
C206			CE04KW1A101M	ELECTR0		
C207, 208			CE04KW1V100M	ELECTR0		
C209			CE04KW1H010M	ELECTR0		
C210			CE04KW1V100M	ELECTR0		
C211			CE04KW1V4R7M	ELECTR0		
C215			CE04KW1H010M	ELECTR0		
C216			CE04KW1V4R7M	ELECTR0		
C217, 218			CE04KW1V100M	ELECTR0		
C219			CK45FF1H103Z	CERAMIC		
C220			CC45FSL1H331J	CERAMIC		
C221			CC45FSL1H121J	CERAMIC		
C222			CE04KW1HR22M	ELECTR0		
C223, 224			C90-1349-05	NP-ELEC		
C225			CE04KW1V4R7M	ELECTR0		
C226-229			CE04KW1V100M	ELECTR0		
C230			CK45FE1H103Z	CERAMIC		
C231			CC45FSL1H101J	CERAMIC		
TC1			C05-0302-05	CERAMIC TRIMMER CAPACITOR		
TC2, 3			C05-0303-05	CERAMIC TRIMMER CAPACITOR		

x New Parts
 Parts without Parts No. are not supplied.
 Les articles non mentionnés dans le Parts No. ne sont pas fournis.
 Teile ohne Parts No. werden nicht geliefert.

No.3

Ref. No. 参照番号	Address 位置	New Parts 新部品番号	Parts No. 部品番号	Description 部品名 / 規格	Desti- nation 仕向備考	Re- marks 備考
C83			CK45FF1H103Z	CERAMIC		
C84			CE04KW1A221M	ELECTR0		
C85			CK45FF1H103Z	CERAMIC		
C86			CE04KW1C101M	ELECTR0		
C87			CK45FF1H223Z	CERAMIC		
C88			CE04KW1H2R2M	ELECTR0		
C89, 90			CK45FF1H103Z	CERAMIC		
C92, 93			CK45FF1H103Z	CERAMIC		
C94			CE04KW1A221M	ELECTR0		
C95			CE04KW1H010M	ELECTR0		
C96, 97			CE04KW1V100M	ELECTR0		
C98			CK45FF1H103Z	CERAMIC		
C99			CC45FCH1H180J	CERAMIC		
C100, 101			CC45FCH1H350J	CERAMIC		
C102			CC45FSL1H220J	CERAMIC		
C103			CC45FSL1H271J	CERAMIC		
C104			CK45FB1H681K	CERAMIC		
C105			C90-1334-05	NP-ELEC		
C106, 107			CE04KW1C101M	ELECTR0		
C108, 109			C90-1333-05	NP-ELEC		
C110-114			CF92FV1H102J	MF		
C115			CE04KW1A101M	ELECTR0		
C116			CE04KW1R010M	ELECTR0		
C117, 118			CE04KW1C101M	ELECTR0		
C119			CC45FSL1H020C	CERAMIC		
C120			CK45FB1H391K	CERAMIC		
C121			CC45FSL1H161J	CERAMIC		
C122			CK45FB1H681K	CERAMIC		
C123			C90-1334-05	NP-ELEC		
C124-127			CE04KW1V100M	ELECTR0		
C128			CE04KW1C221M	ELECTR0		
C129			CF92FV1H102J	MF		
C130			CE04KW1A221M	ELECTR0		
C131			CF92FV1H473J	MF		
C132			CF92FV1H102J	MF		
C133			CF92FV1H473J	MF		
C134			CE04KW1HR22M	ELECTR0		
C135-137			CE04KW1R010M	ELECTR0		
C138			CF92FV1H193J	MF		
C139			CF95HR2A183J	MYLAR		
C142, 143			CC45FSL1H101J	CERAMIC		
C143, 144			CF92FV1H149J	MYLAR		
C144, 143			CF92FV1H225J	MYLAR		
C145, 146			CF92FV1H392J	MF		
C147, 148			CC45FSL1H101J	CERAMIC		
C147, 148			CF92FV1H392J	MF		
C149, 150			CF92FV1H192J	MF		
C151-154			CE04KW1R010M	ELECTR0		
C155, 156			CC45FSL1H101J	CERAMIC		
C157			CK45FF1H103Z	CERAMIC		
C158, 160			CE04KW1A101M	ELECTR0		
C159, 160			CE04KW1V100M	ELECTR0		
C161			CK45FF1H103Z	CERAMIC		
C162, 163			CC45FSL1H221J	CERAMIC		

L:Scandinavia
 Y:FX(Far East, Hawaii)
 Y:AAFE(S:Europe)
 K:USA
 T:England
 X:Australia
 P:Canada
 E:Europe
 M:Other Areas

L:Scandinavia
 Y:FX(Far East, Hawaii)
 Y:AAFE(S:Europe)
 K:USA
 T:England
 X:Australia
 P:Canada
 E:Europe
 M:Other Areas

△ indicates safety critical components.

PARTS LIST

x New Parts
 Parts without Parts No. are not supplied.
 Les articles non mentionnés dans le Parts No. ne sont pas fournis.
 Teile ohne Parts No. werden nicht geliefert.

No.6

Ref. No. 参照番号	Address 位置	New Parts 部品番号	Parts No. 部品番号	Description 部品名 / 規格	Desti- nation 仕向備考
VR4			R12-1089-05	TRIM POT. 4.7K (DISTORTION)	
VR5			R12-3126-05	TRIM POT. 10K (DISTORTION)	
VR6			R12-0108-05	TRIM POT. 470	
VR7 -9			R12-3126-05	TRIM POT. 10K (DISTORTION)	
VR10			R12-3128-05	TRIM POT. 22K (DISTORTION)	
VR11,12			R12-3126-05	TRIM POT. 10K (DISTORTION)	
VR13			R12-3132-05	TRIM POT. 47K	
VR16			R12-1089-05	TRIM POT. 4.7K (PILOT CANCEL)	
VR17-20			R12-6018-05	TRIM POT. 470K	
VR21			R12-5060-05	TRIM POT. 220K (SEPARATION)	
S1 ,2	1C		S31-2094-05	SLIDE SWITCH (DE.EM,CH,SPACE)	M
D1 ,2			KV1320-6	VARIABLE CAPACITANCE DIODE	
D3			HSS104	DIODE	
D3			ISS133	DIODE	
D4 -7			KV1320-6	VARIABLE CAPACITANCE DIODE	
D10 -24			HSS104	DIODE	
D10 -24			ISS133	DIODE	
D23			HZS8 ,1S(B2)	ZENER DIODE	
D23			R08 ,2US(B2)	ZENER DIODE	
D26 ,27			HSS104	DIODE	
D26 ,27			ISS133	DIODE	
D28			HZS5 ,1S(B2)	ZENER DIODE	
D28			R05 ,1US(B2)	ZENER DIODE	
D29 -33			HSS104	DIODE	
D29 -33			ISS133	DIODE	
D35			HSS104	DIODE	
D35			ISS133	DIODE	
D36			KV1320-6	VARIABLE CAPACITANCE DIODE	
D38			HZS5 ,1S(B2)	ZENER DIODE	
D38			R05 ,1US(B2)	ZENER DIODE	
D39 -44			HSS104	DIODE	
D39 -44			ISS133	DIODE	
D42			HZS5 ,1S(B2)	ZENER DIODE	
D43			R05 ,1US(B2)	ZENER DIODE	
D45 -48			HSS104	DIODE	
D45 -48			ISS133	DIODE	
D49			HZS5 ,1S(B2)	ZENER DIODE	
D49			R05 ,1US(B2)	ZENER DIODE	
D50			SV184-1	DIODE	
D51			HZS5 ,1S(B2)	ZENER DIODE	
D51			R05 ,1US(B2)	ZENER DIODE	
D52			SV184-1	DIODE	
D52			HSS104	DIODE	
D53 -58			ISS133	DIODE	
D53 -58			HZS5 ,1S(B2)	ZENER DIODE	
D59			R05 ,1US(B2)	ZENER DIODE	
D59			SV184-1	DIODE	
D60			HSS104	DIODE	
D60			ISS133	DIODE	
D61			HZS5 ,1S(B2)	ZENER DIODE	
D61			R05 ,1US(B2)	ZENER DIODE	
D62 ,63			SV184-1	DIODE	
D64 -66			HSS104	DIODE	
D64 -66			ISS133	DIODE	
D70 ,71			KV1320-2	VARIABLE CAPACITANCE DIODE	

x New Parts
 Parts without Parts No. are not supplied.
 Les articles non mentionnés dans le Parts No. ne sont pas fournis.
 Teile ohne Parts No. werden nicht geliefert.

No.5

Ref. No. 参照番号	Address 位置	New Parts 部品番号	Parts No. 部品番号	Description 部品名 / 規格	Desti- nation 仕向備考
J1	2C		E90-0318-05	SCREW TERMINAL BOARD (ANTENNA)	
J2	1C		E13-0235-05	PHONE JACK (2P) (OUTPUT)	
J3	1C		E11-0186-05	MINIATURE PHONE JACK(S.COMT.)	
CF1 ,2			L72-0544-05	CERAMIC FILTER	PM
CF3 ,4			L72-0545-05	CERAMIC FILTER	EXT
CF5 ,6			L72-0585-05	CERAMIC FILTER	PM
CF5 -8			L72-0120-05	CERAMIC FILTER	EXT
CF10			L72-0586-05	CERAMIC FILTER	
L1 ,2			L72-0096-05	CERAMIC FILTER (SENSITIVITY)	
L3			L31-0547-05	FERRITE CORE	
L3			L72-0814-05	FERRITE CORE (SENSITIVITY)	
L4			L31-0548-05	FM-RF COIL	
L5			L31-0545-05	FM-RF COIL (SENSITIVITY)	
L6			L92-0017-05	FERRITE CORE	
L7			L40-1001-17	SMALL FIXED INDUCTOR(10UH,K)	
L8			L30-0495-05	SMALL FIXED INDUCTOR(10UH)	
L9			L40-1091-17	SMALL FIXED INDUCTOR(10UH)	
L10			L32-0539-05	FM OSCILLATING COIL	
L11			L40-1091-17	SMALL FIXED INDUCTOR(10UH)	
L12			L32-0537-05	FM OSCILLATING COIL (VC)	
L13			L40-1001-17	SMALL FIXED INDUCTOR(10UH,K)	
L14			L40-1001-17	SMALL FIXED INDUCTOR(10UH,K)	
L15 ,16			L92-0017-05	FERRITE CORE	
L17 ,18			L40-1091-17	SMALL FIXED INDUCTOR(10UH)	
L19			L30-0495-05	FM IPT	
L20			L92-0017-05	FERRITE CORE	
L21 -26			L40-1011-17	SMALL FIXED INDUCTOR(100UH,K)	
L27			L92-0017-05	FERRITE CORE	
L28 -33			L40-1011-17	SMALL FIXED INDUCTOR(100UH,K)	
L34 ,35			L92-0017-05	FERRITE CORE	
L37			L92-0017-05	FERRITE CORE	
L38			L30-0416-05	FM IPT	
L39			L32-0537-05	FM OSCILLATING COIL (VC0 DET.)	
L40 -42			L40-1001-17	SMALL FIXED INDUCTOR(10UH,K)	
L43			L40-3925-29	SMALL FIXED INDUCTOR(3.9mH,J)	
L44			L35-0645-05	MPX COIL	
L45 -47			L92-0017-05	FERRITE CORE	
L48 ,49			L40-4701-17	SMALL FIXED INDUCTOR(47UH,K)	
L50			L40-1091-17	SMALL FIXED INDUCTOR(10UH,K)	
L51			L32-0277-15	MW OSCILLATING COIL (VC)	
L52			L31-0509-05	MW-RF COIL (SENSITIVITY)	
L53			L30-0467-05	AM IPT	
L54			L79-0154-05	LC FILTER	
L55 -57			L92-0017-05	FERRITE CORE	
L58			L40-5625-29	SMALL FIXED INDUCTOR(5.6mH,J)	
L59			L40-6895-29	SMALL FIXED INDUCTOR(6.8mH,J)	
L60 ,61			L92-0017-05	FERRITE CORE	M
X1			L77-1122-05	CRYSTAL RESONATOR (7.2MHz)	
X2			L78-0208-05	RESONATOR (456kHz)	
R1			RC05F2H185M	RC 1.8M	M 1/2W
R58			RD14GB2E470J	FL-PROOF RD 47	J 1/4W
R71			RD14GB2E470J	FL-PROOF RD 47	J 1/4W
R264			RD14GB2E470J	FL-PROOF RD 47	J 1/4W
VR1			R12-0108-05	TRIM POT. 470	EPXT
VR2 ,3			R12-3126-05	TRIM POT. 10K (AUTO STOP SENS)	EPXT

L:Scandinavia K:USA P:Canada
 Y:VPX(Far East, Hawaii) T:England E:Europe
 Y:AAFE(S:Europe) X:Australia M:Other Areas

L:Scandinavia K:USA P:Canada
 Y:VPX(Far East, Hawaii) T:England E:Europe
 Y:AAFE(S:Europe) X:Australia M:Other Areas

△ indicates safety critical components

△ indicates safety critical components

PARTS LIST

* New Parts
Parts without Parts No. are not supplied.
Les articles non mentionnés dans le Parts No. ne sont pas fournis.
Teile ohne Parts No. werden nicht geliefert.

No.8

Ref. No. 参照番号	Address 位置	New Parts 部品番号	Parts No. 部品番号	Description 部品名 / 規格	Re- marks 備考
C20			CE04KW1A101M	ELECTR0	
C21			C90-1827-05	100UF	10WV
C22			CK45FF1H103Z	BACKUP	5.5WV
C23			CE04KW1V100M	CERAMIC	0.010UF Z
C24			CE04KW1HR47M	ELECTR0	0.10UF Z
C25			CK73FB1H103K	ELECTR0	0.47UF 50WV
C26			CE04JW0J100K	CHIP C	K
C27, 28			CK73FB1H103K	ELECTR0	0.010UF K 6.3WV
C29			CE04KW1A101M	CHIP C	K
C30, 31			CK45FB1H222K	ELECTR0	100UF 10WV
C32			CK45FF1H103Z	CERAMIC	2200PF K
C33			CE04KW1HR47M	ELECTR0	0.010UF Z
C34			CK45FF1H103Z	ELECTR0	0.47UF 50WV
C45			CK45FB1H102K	CERAMIC	0.010UF Z
C46			C91-0769-05	CERAMIC	1000PF K
C47			CK45FF1H103Z	CERAMIC	0.010UF K
C48			CE04KW1B331M	ELECTR0	0.010UF Z
C49			CE04KW1H331M	ELECTR0	330UF 25WV
C50, 51			CE04KW1E332M	ELECTR0	330UF 50WV
C52			CE04KW1V100M	ELECTR0	3300UF 25WV
C53			CE04KW1E331M	ELECTR0	10UF 35WV
C54			CE04KW1H331M	ELECTR0	330UF 25WV
C55			CE04KW1V470M	ELECTR0	330UF 50WV
C56			CE04KW1V100M	ELECTR0	10UF 35WV
C57			CE04KW1H010M	ELECTR0	47UF 35WV
C58			CE04KW1V100M	ELECTR0	1.0UF 50WV
C59			CE04KW1H010M	ELECTR0	35WV
C60			CE04KW1V100M	ELECTR0	1.0UF 50WV
C61			CE04KW1H010M	ELECTR0	1.0UF 50WV
C62, 63			CE04KW1V100M	ELECTR0	10UF 35WV
C64			CE04KW1A470M	ELECTR0	47UF 10WV
C66			CE04KW1H010M	ELECTR0	1.0UF 50WV
C68			CK45FF1H103Z	CERAMIC	0.010UF Z
C69			CE04KW1V100M	ELECTR0	10UF 35WV
C70			CE04KW1V47M	ELECTR0	4.7UF 35WV
L1			L40-1001-17	SMALL FIXED INDUCTOR(10UH,K)	
X1			L78-0267-05	RESONATOR (4.194MHz)	
B			N89-3008-45	BINDING HEAD TAPITITE SCREW	
H			N30-3006-46	PAN HEAD MACHIN SCREW	
CP1			R90-0492-05	MULTI-COMP	100KX8 J 1/6W
R122			R92-0173-05	RC	2.2M M 1/2W
W66			R92-0679-05	CHIP R	0.0HM
W67, 68			R92-0670-05	CHIP R	0.0HM
W69, 70			R92-0679-05	CHIP R	0.0HM
W71			R92-0670-05	CHIP R	0.0HM
W73			R92-0679-05	CHIP R	0.0HM
S1	-25		S40-1064-05	PUSH SWITCH	
S26		*	T99-0522-05	SPED DETECTOR (TUNING)	
D2			HSS104	DIODE	P
D2			LSS133	DIODE	P
D3			HZS2.7N(B2)	ZENER DIODE	
D3			RD2.7ES(B2)	ZENER DIODE	

* New Parts
Parts without Parts No. are not supplied.
Les articles non mentionnés dans le Parts No. ne sont pas fournis.
Teile ohne Parts No. werden nicht geliefert.

No.7

Ref. No. 参照番号	Address 位置	New Parts 部品番号	Parts No. 部品番号	Description 部品名 / 規格	Re- marks 備考
IC1-3			TA7302P	IC(FM IF)	
IC4			LA1235	IC(FM IF/DETECTION)	
IC5			TA7302P	IC(FM IF)	
IC6			NJM4558D	IC(OP AMP X2)	
IC7			NJM4560D-A	IC(OP AMPX2)	
IC8, 9			NJM4200D	IC(OP AMP X2)	
IC10-13			NJM4565D	IC(OP AMP X2)	
IC15, 16			NJM4565D	IC(OP AMP X2)	
IC17		*	LA3450	IC(FM MPX)	
IC18			NJM4565D	IC(OP AMP X2)	
IC19			LA1245	IC(AM)	
IC20			LW7001	IC(PLL FREQUENCY SYNTHESIZER)	
IC21			NJM4558D	IC(OP AMP X2)	
IC22-29		*	NJM4565D	IC(OP AMP X2)	
Q1			3SK121(Y,GR)	FET	
Q2			3SK122(L)	FET	
Q3, 4			2SK241(GR)	FET	
Q5		*	2SK709(BL,V)	FET	
Q6			2SK241(Y)	FET	
Q7, 8			2SK241(GR)	FET	
Q9, 10			2SK161(GR)	FET	
Q11			2SK163(M)	FET	
Q12-17			2SK246(Y,GR)	FET	
Q18			2SC1740S(Q,R)	TRANSISTOR	
Q18			2SC3311A(Q,R)	TRANSISTOR	
Q19			2SK246(Y,GR)	FET	
Q20			2SC1740S(Q,R)	TRANSISTOR	
Q20			2SC3311A(Q,R)	TRANSISTOR	
Q21-23			2SK246(Y,GR)	FET	
Q24-27			2SD1302(S,T)	TRANSISTOR	
Q28			2SA1309A(Q,R)	TRANSISTOR	
Q28			2SA933S(Q,R)	TRANSISTOR	
Q29			2SK364(GR,BL)	FET	
Q30			2SC1740S(Q,R)	TRANSISTOR	
Q30			2SC3311A(Q,R)	TRANSISTOR	
Q31			2SA1309A(Q,R)	TRANSISTOR	
Q31			2SA933S(Q,R)	TRANSISTOR	
Q32			2SA954(L,K)	TRANSISTOR	
Q33			2SC1740S(Q,R)	TRANSISTOR	
Q33			2SC3311A(Q,R)	TRANSISTOR	
Q34			2SA954(L,K)	TRANSISTOR	
Q35			2SC1740S(Q,R)	TRANSISTOR	
Q35			2SC3311A(Q,R)	TRANSISTOR	
Q36			2SA954(L,K)	TRANSISTOR	
Q37, 38			2SC1740S(Q,R)	TRANSISTOR	
Q37, 38			2SC3311A(Q,R)	TRANSISTOR	
Q39, 40			2SK246(Y,GR)	FET	
TH1			SDT1000	THERMISTOR	
SUB CIRCUIT UNIT (X13 - 6862 - 70)					
D19 -23			B30-1012-05	LED(SLP-981C-50)	
C1	-3		CK73FB1H221K	CHIP C	K
C1	-17		CK73FB1H102K	CHIP C	K
C18			CK73FB1H103K	CHIP C	K
C19			CK73FB1H102K	CHIP C	K

L:Scandinavia K:USA P:Canada
Y:PX(Far East, Hawaii) T:England E:Europe
Y:AAFES(Europe) X:Australia M:Other Areas

L:Scandinavia K:USA P:Canada
Y:PX(Far East, Hawaii) T:England E:Europe
Y:AAFES(Europe) X:Australia M:Other Areas

△ indicates safety critical components

△ indicates safety critical components

PARTS LIST

No.9

x New Parts
 Parts without Parts No. are not supplied.
 Les articles non mentionnés dans le Parts No. ne sont pas fournis.
 Teile ohne Parts No. werden nicht geliefert.

Ref. No. 参照番号	Address 位置	New Parts 新部品	Parts No. 部品番号	Description 部品名 / 規格	Re- marks 備考
D7			HSS104	DIODE	
D8 -14			1SS133	DIODE	
D15 -18			MA110	DIODE	
D15 -18			HSS104	DIODE	
D15 -18			1SS133	DIODE	
D24			HZ513N(B2)	ZENER DIODE	
D24			RD13BS(B2)	ZENER DIODE	
D25 -27			HSS104	DIODE	
D25 -27			1SS133	DIODE	
D29			HZ513N(B2)	ZENER DIODE	
D29			RD13BS(B2)	ZENER DIODE	
D30 ,31			HZ516N(B2)	ZENER DIODE	
D30 ,31			RD16BS(B2)	ZENER DIODE	
D32			HZ56.2N(B2)	ZENER DIODE	
D32			RD6.2BS(B2)	ZENER DIODE	
D33			HZ95.1S(B2)	ZENER DIODE	
D33			RD5.1JS(B2)	ZENER DIODE	
D34 -43			S5566B	DIODE	
ED1	1B	*	9-8T-966K	FLUORESCENT INDICATOR TUBE	
IC1		*	CXP50112-344Q	IC(MICROPROCESSOR)	
IC2 ,3		*	CXP-7991	IC(EXPANSION)	
IC4		*	XR9021AF	IC(BEPRM)	
IC5		*	PST5290	IC(SYSTEM RESET)	
IC6			UPD4069UBC	IC(INVERTER X6)	
IC7 ,8			NJ4558D	IC(OP AMP X2)	
Q1 -10			DTA143EK	DIGITAL TRANSISTOR	
Q11			DTA143EK	DIGITAL TRANSISTOR	
Q12			DTA114EK	DIGITAL TRANSISTOR	
Q13 ,14			2SC1740S(Q,R)	TRANSISTOR	
Q13 ,14			2SC3311A(Q,R)	TRANSISTOR	
Q15			2SA1534A	TRANSISTOR	
Q16			2SC1740S(Q,R)	TRANSISTOR	
Q16			2SC3311A(Q,R)	TRANSISTOR	
Q17			2SB941(Q,P)	TRANSISTOR	
Q18 ,19			2SC1740S(Q,R)	TRANSISTOR	
Q18 ,19			2SC3311A(Q,R)	TRANSISTOR	
Q20			2SA1309A(Q,R)	TRANSISTOR	
Q20			2SA933S(Q,R)	TRANSISTOR	
Q21			2SD1266(Q,P)	TRANSISTOR	
Q22			2SC1740S(Q,R)	TRANSISTOR	
Q22			2SC3311A(Q,R)	TRANSISTOR	
Q23			2SD1266(Q,P)	TRANSISTOR	
Q24			2SA1534A	DIGITAL TRANSISTOR	
Q25 -28			DTC114TK	DIGITAL TRANSISTOR	
A1	1A		W02-0975-05	ELECTRIC CIRCUIT MODULE	M

L-Scandinavia
 Y-PX(Far East, Hawaii)
 Y-AFES(Europe)

K-USA
 T-England
 X-Australia

P-Canada
 E-Europe
 M-Other Areas

△ indicates safety critical components.

KT-6040

SPECIFICATIONS

For Canada and General market

FM Tuner Section

Tuning frequency range	87.5MHz – 108MHz
Usable sensitivity (MONO)	0.95 μ V/10.8dBf
50 dB quieting sensitivity	
MONO	1.8 μ V/16.2dBf
STEREO	24 μ V/38.8dBf
Total harmonic distortion (at 1kHz)	
MONO	0.007% (WIDE)
STEREO	0.015% (WIDE)
Signal to noise ratio (at 1kHz, 85dBf input)	
MONO	92dB
STEREO	86dB
Stereo separation	
1kHz	62dB (WIDE)
Capture ratio	1.0dB (WIDE), 2.5dB (NARROW)
Alternate channel selectivity	
(\pm 400kHz)	60dB (WIDE)
Image rejection ratio (at 98 MHz)	90dB
IF rejection ratio (at 98MHz)	110dB
Spurious rejection ratio (at 98MHz)	100dB
AM suppression ratio	70dB
Frequency response (30Hz – 15kHz)	+0.5dB, -1.0dB
Output level/Impedance	
(at 1kHz, 100% dev.)	0.8V/600 Ω

AM Tuner Section

Tuning frequency range	
531kHz – 1,602kHz	9kHz step
530kHz – 1,610kHz	10kHz step
Usable sensitivity	10 μ V (250 μ V/m)
Signal to noise ratio	
(at 30% mod. 1mV input)	55dB
Total harmonic distortion	0.25%
Image rejection ratio (Loop)	40dB
Selectivity	30dB
Output level/Impedance	
(at 30% mod.)	0.24V/0.6k Ω

General

Power consumption	20W
Dimension	W: 440mm
	H: 97mm
	D: 331mm
Weight	4.5kg

KENWOOD follows a policy of continuous advancements in development. For this reason specifications may be changed without notice.

KENWOOD poursuit une politique de progrès constants en ce qui concerne le développement. Pour cette raison, les spécifications sont sujettes à modifications sans préavis.

KENWOOD strebt ständige, Verbesserungen in der Entwicklung an. Daher bleiben Änderungen der technischen Daten jederzeit vorbehalten.

Note:

Component and circuitry are subject to modification to insure best operation under differing local conditions. This manual is based on, the Europe (E) standard, and provides information on regional circuit modification through use of alternate schematic diagrams, and information on regional component variations through use of parts list.

For Europe, Australia and U.K.

FM Tuner Section

Tuning frequency range	87.5MHz – 108MHz
Usable sensitivity (DIN)	
MONO	0.7 μ V
STEREO	25 μ V
Limiting level (DIN at 75 Ω)	0.45 μ V
Total harmonic distortion (DIN at 1kHz)	
MONO	0.007% (WIDE)
STEREO	0.015% (WIDE)
Signal to noise ratio	
(DIN weighted at 1kHz, 65.2dBf input)	
MONO	88dB
STEREO	76dB
Stereo separation (DIN)	
1kHz	62dB (WIDE)
6.3kHz	55dB (WIDE)
Capture ratio	1.0dB (WIDE)
Alternate channel selectivity	
(DIN \pm 300kHz)	75dB (NORMAL)
Image rejection ratio (at 98 MHz)	90dB
IF rejection ratio (at 98MHz)	110dB
Spurious rejection ratio (at 98MHz)	100dB
AM suppression ratio	70dB
Frequency response (30Hz – 15kHz)	+0.5dB, -1.0dB
Output level/Impedance	
(at 1kHz, 100% dev.)	0.8V/600 Ω

AM Tuner Section

Tuning frequency range	531kHz – 1,602kHz
Usable sensitivity	10 μ V (250 μ V/m)
Signal to noise ratio	
(at 30% mod. 1mV input)	55dB
Total harmonic distortion	0.25%
Image rejection ratio (Loop)	40dB
Selectivity	30dB
Output level/Impedance	
(at 30% mod.)	0.24V/0.6k Ω

General

Power consumption	20W
Dimension	W: 440mm
	H: 97mm
	D: 331mm
Weight	4.5kg

KENWOOD CORPORATION

Shionogi Shibuya Building, 17-5, 2-chome Shibuya, Shibuyaku, Tokyo 150, Japan

KENWOOD U.S.A. CORPORATION

2201 East Dominguez Street, Long Beach, CA 90810;
550 Clark Drive, Mount Olive, NJ 07828, U.S.A.

KENWOOD ELECTRONICS CANADA INC.

P.O. BOX 1075, 959 Gana Court, Mississauga, Ontario, Canada L4T 4C2

TRIO-KENWOOD U.K. LTD.

KENWOOD House, Dwight Road, Watford, Herts., Wd1 8eb United Kingdom

KENWOOD ELECTRONICS BENELUX N.V.

Mechelsesteenweg 418 B-1930 Zaventem, Belgium

KENWOOD ELECTRONICS DEUTSCHLAND GMBH

Rembrücker-Str. 15, 6056 Heusenstamm, Germany

TRIO-KENWOOD FRANCE S.A.

13 Boulevard Ney, 75018 Paris, France

KENWOOD LINEAR S.p.A.

20125, MILANO-VIA ARBE, 50, ITALY

KENWOOD ELECTRONICS AUSTRALIA PTY, LTD. (INCORPORATED IN NSW)

4E Woodcock Place, Lane Cove, N.S.W. 2066, Australia

KENWOOD & LEE ELECTRONICS, LTD.

Wang Kee Building, 4th Floor, 34-37, Connaught Road, Central, Hong Kong