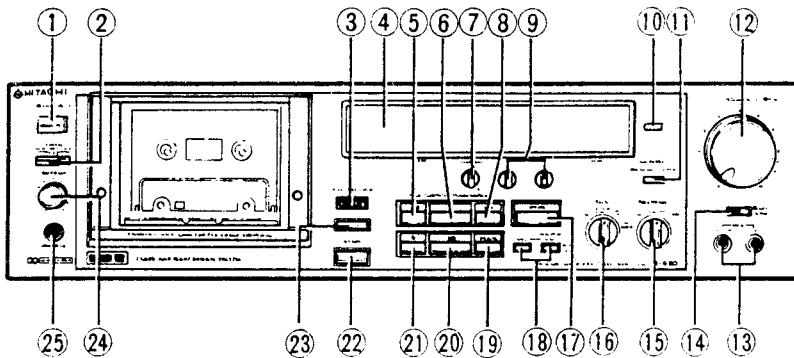


HITACHI SERVICE MANUAL

TK	No. 1465E 479
D-E95 (U,C,FS,BS,AU,W)	

Use this manual together with the D-E95 Technical Information (No.1472).

CONTENTS



Specifications	2
Disassembly	2
Adjustment	3
Inspection of mechanism	4
Lubrication	4
Circuit board diagram	5
Schematic diagram	6
Circuit board diagram	9
Wiring diagram	11
Exploded view (Cabinet)	13
Exploded view (Cassette chassis)	15
Replacement parts list	17

KEY TO ILLUSTRATIONS

- | | |
|---------------------------------|---------------------------------|
| 1. Power (Mains) switch | 14. Input select switch |
| 2. Timer switch | 15. Dolby NR switch |
| 3. Tape counter | 16. Tape select switch |
| 4. Digital peak meter | 17. Stop button |
| 5. Rewind button | 18. Auto/memory rewind switches |
| 6. Playback button | 19. REC. mute button |
| 7. Bias fine adjustment control | 20. Pause button |
| 8. Fast forward button | 21. Record button |
| 9. REC. calibration controls | 22. Eject button |
| 10. Peak hold switch | 23. Counter reset button |
| 11. Monitor switch | 24. Output level control |
| 12. Recording level controls | 25. Headphone socket |
| 13. Microphone sockets | |

SAFETY PRECAUTION

The following precautions should be observed when servicing.

- Since many parts in the unit have special safety-related characteristics, always use genuine Hitachi's replacement parts. Especially critical parts in the power circuit block should not be replaced with other makes. Critical parts are marked with \triangle in the schematic diagram, and circuit board diagram.
- Before returning a repaired unit to the customer, the service technician must thoroughly test the unit to ascertain that it is completely safe to operate without danger of electrical shock.

SPECIFICATIONS AND PARTS ARE SUBJECT TO CHANGE FOR IMPROVEMENT

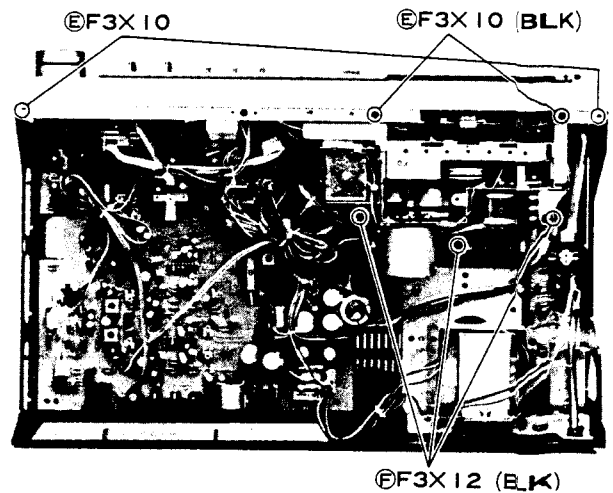
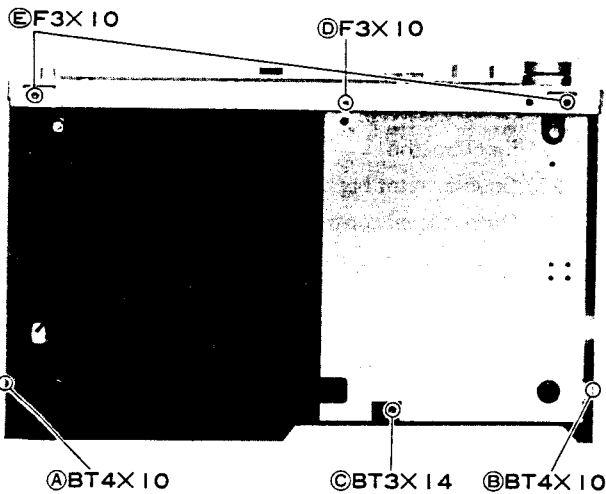
STEREO CASSETTE TAPE DECK

SPECIFICATIONS

Semiconductors:		Wow and Flutter:	0.038% (WRMS) 0.12%*
Module:	1	Input Sensitivity and Impedance:	
ICs:	6	Microphone:	0.3 mV, 300 ohms ~ 5k ohms
FET:	2	Line in:	60 mV, 50 kohms or more
Transistors:	34 (U, C)	DIN (Record/Playback):	0.3 mV, 5k ohms (FS, BS, AU, W)
	36 (FS, BS, AU, W)	Output Level:	500 mV
Diodes:	41 (U, C)	Output Load Impedance:	
	44 (FS, BS, AU, W)	Line out:	50k ohms or more
LED:	3	DIN (Record/Playback):	470k ohms or more (FS, BS, AU, W)
Thermistor:	1	Headphone:	8 ohms ~ 2k ohms
Track System:	4 track 2 channel stereo	Distortion:	0.8% (1 kHz, -3 dB)
Tape:	Cassette tape (C-30, 60, 90)	Crosstalk:	60 dB or more (at 1 kHz)
Tape Speed:	4.75 cm/s	Channel Separation:	30 dB or more (at 1 kHz)
Recording System and Bias Frequency:	AC bias, 85 kHz	Power Supply:	AC 120V, 60 Hz (U, C) AC 100-110V/115-127V/ 200-220V/230-250V, 50/60 Hz (W) AC 220V, 50 Hz (FS) AC 240V, 50 Hz (BS, AU)
Erasing System:	AC erase	Power Consumption:	30W
Erase Ratio:	65 dB or more (at 1 kHz)	Dimensions:	110(H) x 435(W) x 266(D) mm
Frequency Response:		Weight:	6 kg
ER/UD (NOR):	20 Hz ~ 18 kHz	Motor:	DC servo motor x 1 DC motor x 1
	30 Hz ~ 17 kHz (± 3 dB)	Heads:	1.4 mm Cross gap Metal Record/ Playback head Ferrite gird special permalloy Erase head
	30 Hz ~ 17 kHz*		
EX/SX (CrO ₂):	20 Hz ~ 20 kHz		
	30 Hz ~ 18 kHz (± 3 dB)		
	30 Hz ~ 18 kHz*		
FeCr:	20 Hz ~ 18 kHz		
	30 Hz ~ 17 kHz (± 3 dB)		
	30 Hz ~ 17 kHz*		
ME (METAL):	20 Hz ~ 21 kHz		
	30 Hz ~ 19 kHz (± 3 dB)		
	30 Hz ~ 19 kHz*		
S/N (Signal to Noise Ratio):			
Dolby NR OFF:	61 dB (Weighted A, Reference 3% THD Metal Tape)		
	61 dB*		
Dolby NR ON:	69 dB (Weighted A, Reference 3% THD Metal Tape)		
	69 dB*		

* According to DIN 45 500

DISASSEMBLY

**1. Cassette door**

Depress the eject button to open the cassette door. Lift up the cassette door to remove it.

2. Upper cover

Remove (A) and (B) (two) screws.

3. Bottom cover

Remove (B), (C) and (D) (three) screws.

4. Front panel

1) Remove three knobs (Output, Tape select, Dolby NR).

2) Remove (D) and (E) (seven) screws.

5. Cassette chassis

Remove (F) (three) screws.

ADJUSTMENT

Perform the following adjustments in the sequence stated after cleaning the head, pressure roller, and capstan with a head cleaning stick moistened in alcohol. Also, unless specially indicated otherwise, set the switches and controls to the positions indicated in the table.

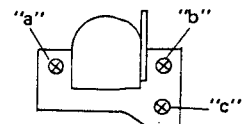
Symbol No.	Switches and Controls	Position	Symbol No.	Switches and Controls	Position
S1	Tape select switch	ER/UD(NOR)	RV1L, R	Record level controls	Max.
S2	Monitor switch	TAPE	RV2L, R	Output level control	Max.
S3	Dolby NR switch	OFF	RV3L, R	Record calibration controls	Center
S4	Input select switch	LINE	RV4	Bias fine control	Center

* According to DIN 45 500

Item	Adjustments	Measuring Instrument and Connection			Check Tape	Mode	Adjusted Position	Adjusted Value	Remarks
		Measuring Instrument	Input Terminal	Output Terminal					
1	Tape Speed	• Frequency counter	—	LINE OUT	MTT-111, 3000 Hz (3150 Hz*)	Playback	Semi-variable resistor in the motor	3000 Hz +30 Hz -10 (3150 Hz*)	See Note 1
2	Head azimuth	• VTVM	—	LINE OUT	MTT-216 or MTT-316, 14 kHz	Playback	Azimuth adjusting screw "a"	Output Max.	See Note 2
3	Dolby NR	• Audio oscillator (5 kHz) • VTVM	LINE IN	TP1L, R	—	Record	RT2L, R	Level is boosted by 8 ± 0.25 dB	See Note 3
4	Playback gain	• VTVM	—	LINE OUT	MTT-150, 400 Hz 20 m Maxwell	Playback	RT1L, R	775mV(0dB) -0.3 dB	See Note 4
5	Digital peak meter						RT200L, R	Digital peak meter indicate 0 dB	See Note 5
6	Bias trap	• VTVM	—	TP2L, R	—	Record	L3	Output Min.	See Note 6
7	Record level	• Audio oscillator (1.5 kHz)	LINE IN	—	ER/UD tape	Record	RT5L, R	Digital peak meter indicate 0 dB	See Note 7
8	Bias current	• Audio oscillator (1.5kHz/15 kHz, 0 dB -20 dB) • Attenuator • VTVM	LINE IN	LINE OUT	ER/UD Tape	Record	RT6L,R	Output difference within 1 dB	See Note 8

Note:

- Adjust within 30 sec. after heat-running for more than 20 minutes.
- Use the Hitachi head adjusting jig and instructions. (Consult nearest Hitachi office). To obtain the correct head height, tilt and azimuth. This adjustment has to be done alternately. Then, use test tape to adjust the azimuth of Record/playback head by means of the adjusting screw "a" for maximum output.
- Feed a 5 kHz signal to the LINE IN jacks in the recording mode and adjust the audio oscillator output so that the level of TP1L, R becomes 23.5 mV (-30.4 dBm). Then, adjust RT2L, R so that the level is boosted by 8 dBm \pm 0.25 dB when the Dolby NR switch is set to ON.



4. Playback a test tape (MTT-150, 400 Hz 20 m Maxwell) and adjust RT1L, R so that the level of LINE OUT jacks become 775 mV (0 dB) – 0.3 dB.
5. With the condition shown in item 4, adjust RT200L, R so that the digital peak meter indicate 0 dB.
6. Adjust L3 so that the level of TP2L, R becomes minimum in the recording mode.
7. 1) Set the monitor switch to the SOURCE position and feed a 1.5 kHz signal to the LINE IN jacks in the recording mode.
2) Adjust the audio oscillator output so that the digital peak meter indicate 0 dB.
3) Then, set the monitor switch to the TAPE position and adjust RT5L, R so that the digital peak meter indicate 0 dB.
8. 1) Set the monitor switch to the SOURCE position and feed a 1.5 kHz signal to the LINE IN jacks in the recording mode.
2) Adjust the audio oscillator output so that the digital peak meter indicate 0 dB. Then, adjust the attenuator to lower the output level by 20 dB.
3) Set the monitor switch to the TAPE position and read the playback output level of LINE OUT jacks.
4) Then, set the audio oscillator frequency to 15 kHz and read the playback output level of LINE OUT jacks.
5) Adjust RT6L, R so that the output level difference between two frequencies is within 1 dB.

INSPECTION OF MECHANISM

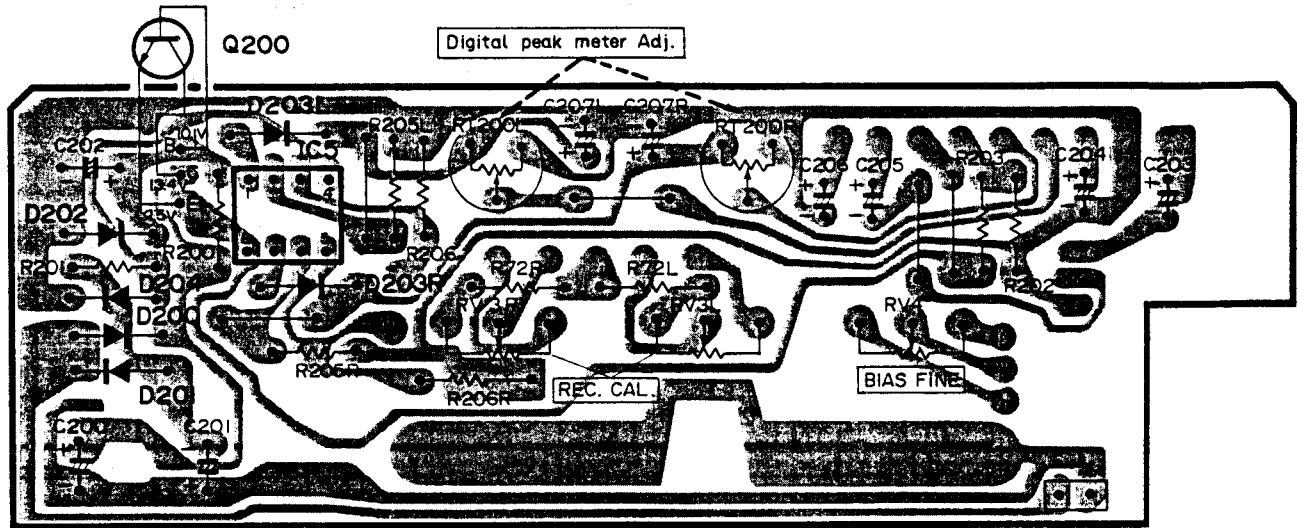
Check Item			Reference Value	Remarks
1	Pressure of Pressure roller	Take-up side	300 to 400 gr	Measure in playback mode
		Supply side	170 to 250 gr	
2	Torque	Take-up	35 to 65 gr-cm	Measure in playback mode
		Fast forward	75 to 120 gr-cm	Measure in Fast forward mode
		Rewind	75 to 120 gr-cm	Measure in Rewind mode
3	Back-tension	Take-up side	Less than 6 gr-cm	Without counter
		Supply side	7 to 12 gr-cm	Without counter
4	Flywheel thrust gap		0.05 to 0.5 mm	—
5	Pressure of take-up roller		200 to 250 gr	Measure in playback mode
6	Brake force		More than 15 gr-cm	Measure in playback mode

LUBRICATION

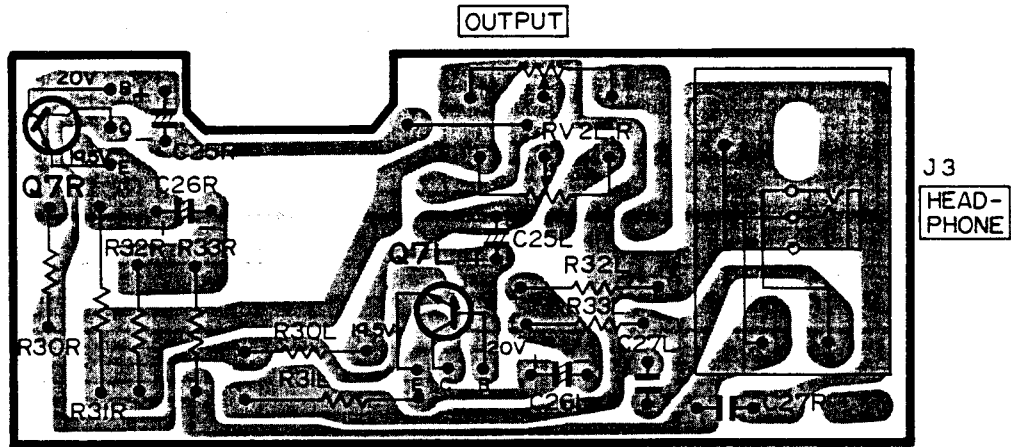
Lubricate one or two drops of oil to rotating point or lubricate grease to sliding point. Lubricate the respective parts listed below once every 1000 hours or once a year under normal conditions of use. Avoid oiling them excessively, or rotation may become irregular because of oil splashes.

	Lubrication	Oil or Grease
Rotally section	Metal and metal	Pan motor oil (10W-40)
	Mold and metal	Sonic slider oil (#1600)
Sliding section	Metal and metal	Hitasol (MO-138)
	Mold and mold	White grease (FL-LUBE-A)
	Mold and metal	(FL-LUBE-A)
Spring resonance prevention		Froil (GB-TS-1)

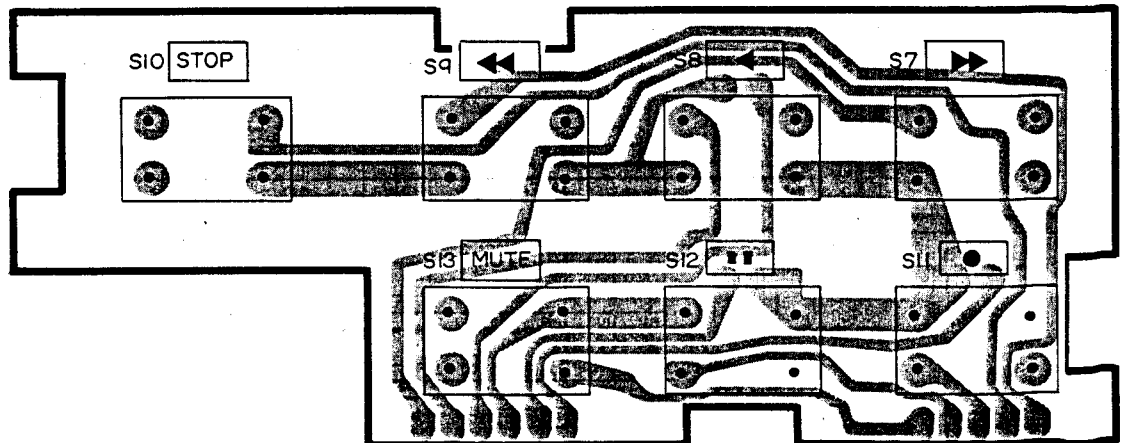
CIRCUIT BOARD DIAGRAM



METER PC Board

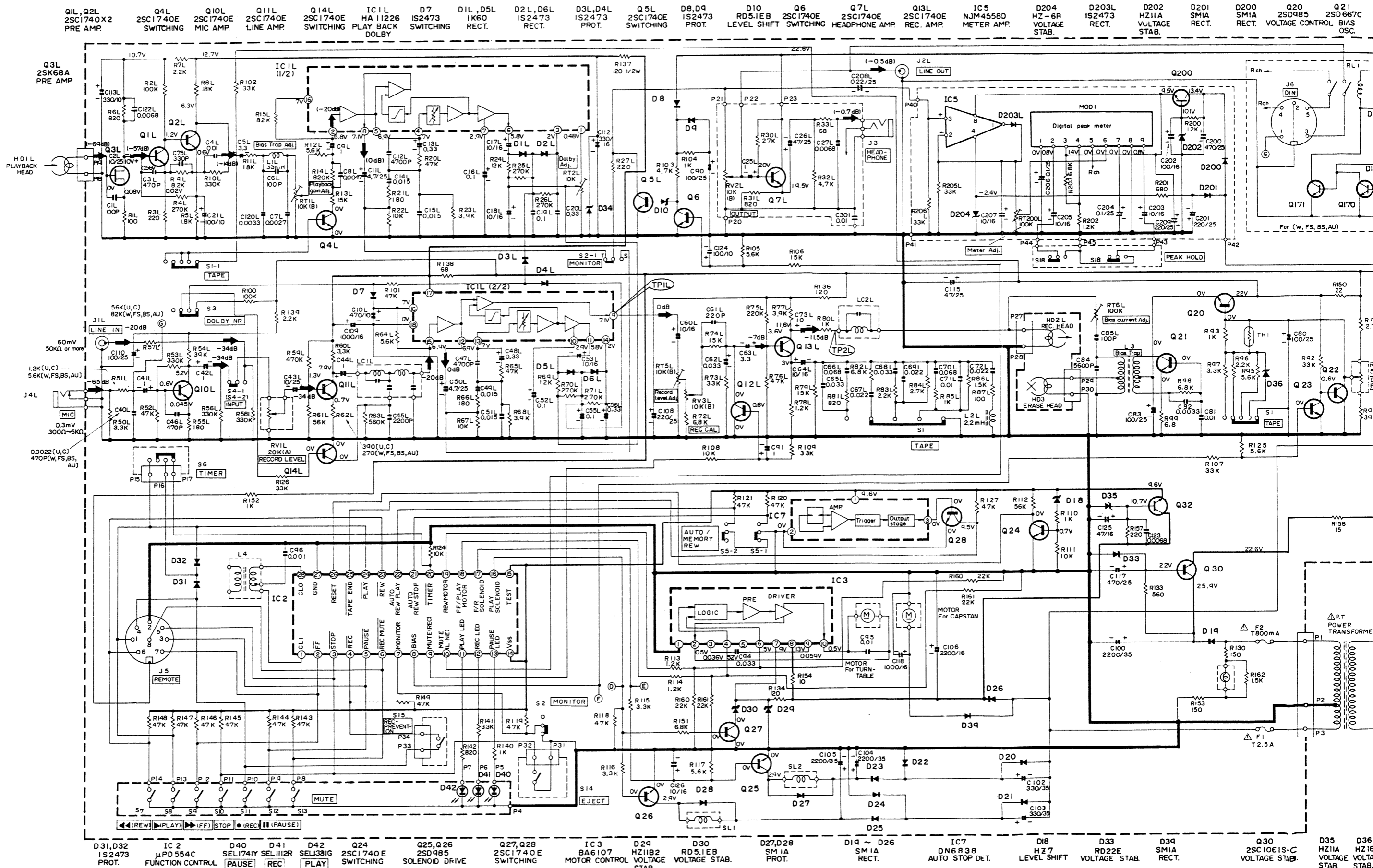


HEADPHONE PC Board



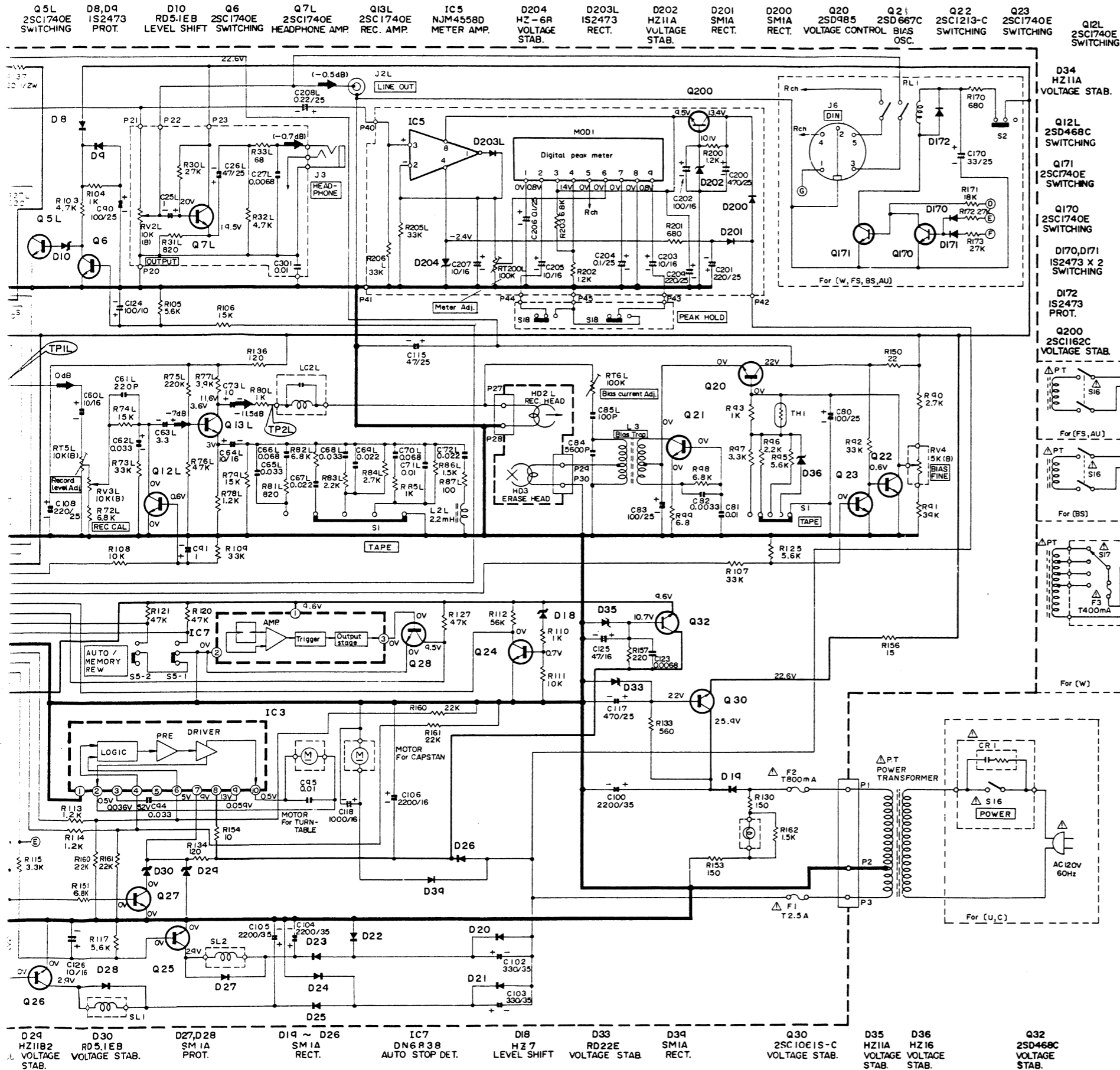
FUNCTION SWITCH PC Board

SCHEMATIC DIAGRAM



- Q3L, Q2L 25K68A PRE AMP
- Q4L 25C1740E SWITCHING
- Q10L 25C1740E MIC AMP
- Q11L 25C1740E LINE AMP
- Q14L 25C1740E SWITCHING
- IC1L HA11226 PLAY BACK DOLBY
- D7 IS2473 SWITCHING
- DIL, D5L 1K60 RECT.
- D2L, D6L IS2473 RECT.
- D3L, D4L IS2473 PROT.
- Q5L 25C1740E SWITCHING
- D8, D4 IS2473 PROT.
- D10 RD5.1EB LEVEL SHIFT
- Q6 25C1740E SWITCHING
- Q7L 25C1740E HEADPHONE AMP
- Q13L 25C1740E REC. AMP.
- IC5 NJM4558D METER AMP.
- D204 HZ-6R VOLTAGE STAB.
- D203L IS2473 RECT.
- D202 HZ11A VOLTAGE STAB.
- D201 SM1A RECT.
- D200 SM1A RECT.
- Q20 25D985 VOLTAGE CONTROL
- Q21 25D667C BIAS OSC.

- D31, D32 IS2473 PROT.
- IC2 μPD554C FUNCTION CONTROL
- D40 SEL1741Y [PAUSE]
- D41 SEL1112R [REC]
- D42 SEL1331G [PLAY]
- Q24 25C1740E SWITCHING
- Q25, Q26 25D985 SOLENOID DRIVE
- Q27, Q28 25C1740E SWITCHING
- IC3 BA6107 MOTOR CONTROL
- D29 HZ11B2 VOLTAGE STAB.
- D30 RD5.1EB VOLTAGE STAB.
- D27, D28 SM1A PROT.
- D19 ~ D26 DNE838 AUTO STOP DET.
- D18 HZ7 LEVEL SHIFT
- D33 RD22E VOLTAGE STAB.
- D34 SM1A RECT.
- Q30 25C10E1S-C VOLTAGE STAB.
- D35 HZ11A VOLTAGE STAB.
- D36 HZ16 VOLTAGE STAB.



Note

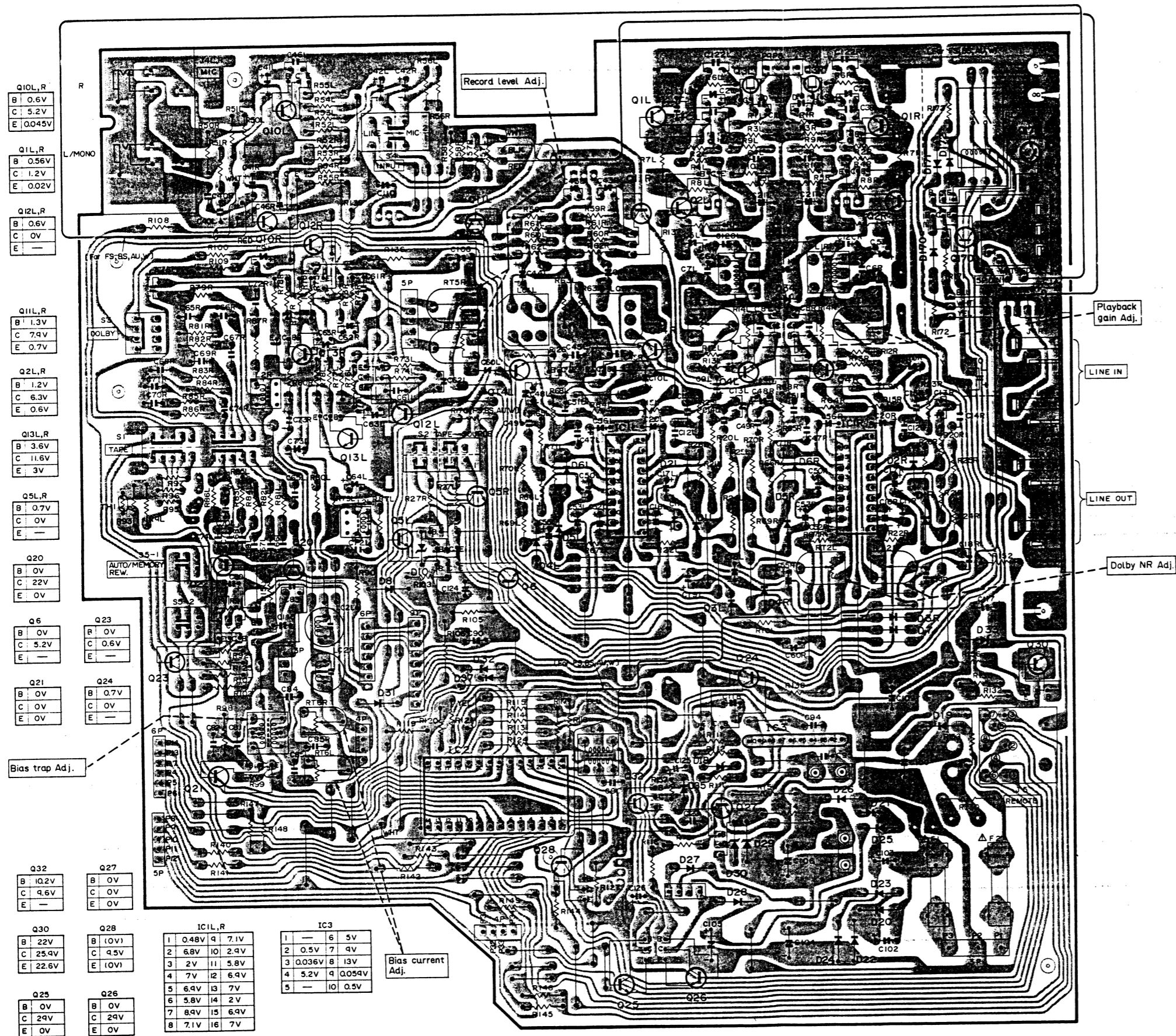
- 1. Voltage measured at base of chassis with minimum volume control and no signal.
- 2. Nomenclature of Resistors and Capacitors.

Circuit No.	
Value	No indicated Ω(Ohm) M : 1000 kΩ
Tolerance	No indicated ±5% K : ±10% M : ±20%
Wattage	No indicated ¼W
Sort	No indicated Carbon film RC : Composition RW : Wire wound RS : Oxide metal film RN : Fixed metal film

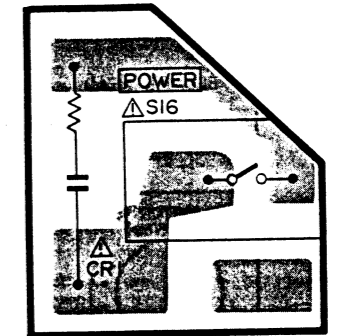
Circuit No.	
Value	No indicated μF P : PF
Tolerance	No indicated ±10% J : ± 5% M : ±20% Z : +80%, - 20% D : ±0.5pF C : ±0.25pF
Sort	Ceramic
	Electrolytic
	Mylar
	Polyester
Styrol	
Voltage	No indicated 50WV

- 3. Be sure to make your orders of resistors and capacitors with value, voltage, tolerance and sort.
- 4. When replacing capacitors marked with *, use specified ones stated on parts list since required temperature characteristics.

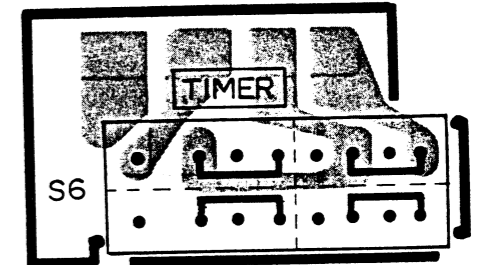
CIRCUIT BOARD DIAGRAM



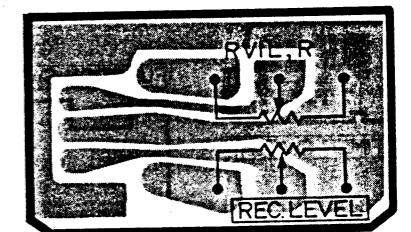
MAIN PC Board



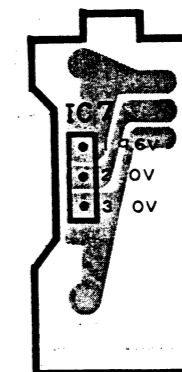
POWER SWITCH PC Board



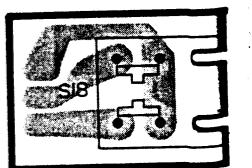
TIMER SWITCH PC Board



RECORD LEVEL PC Board

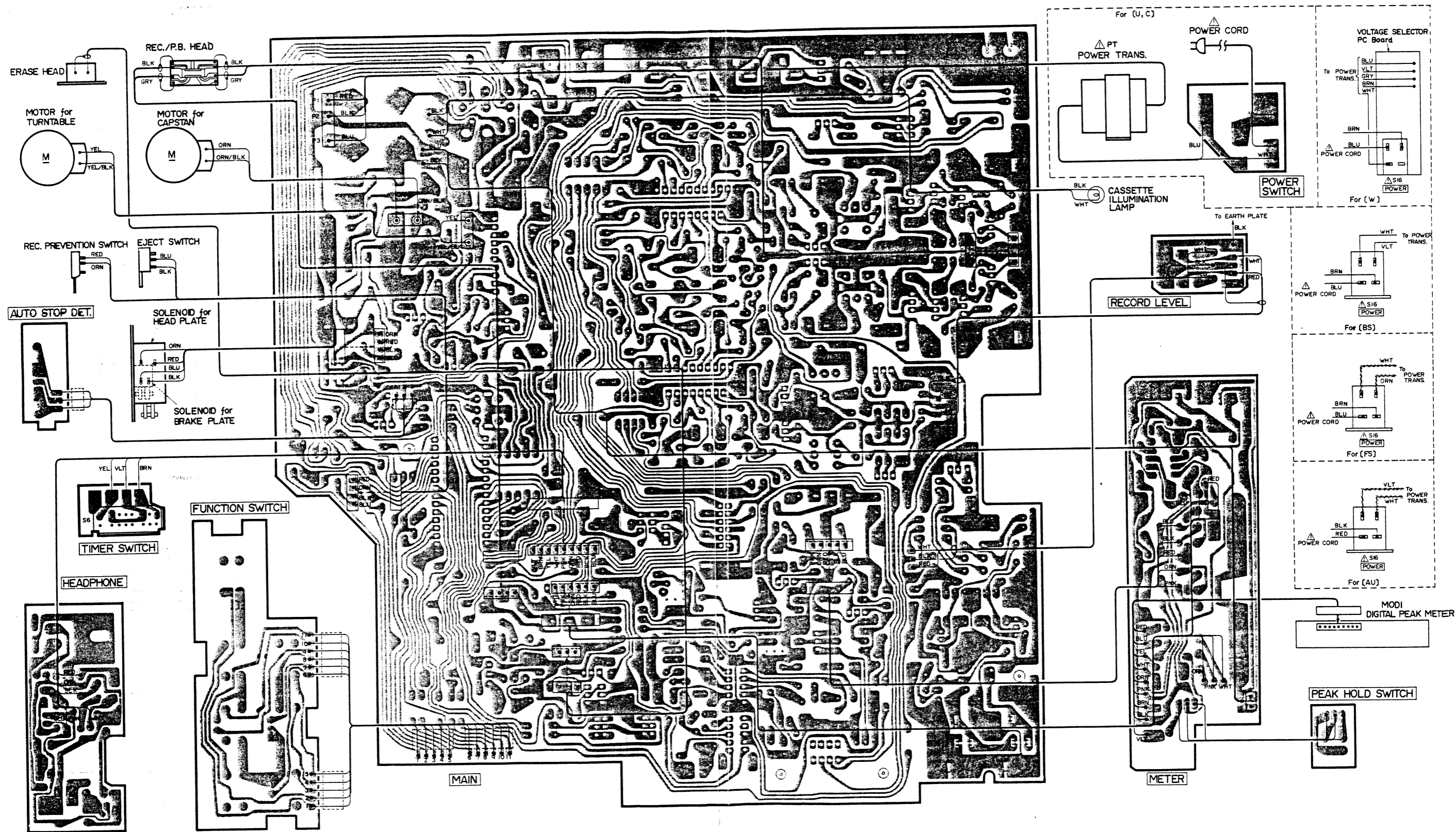


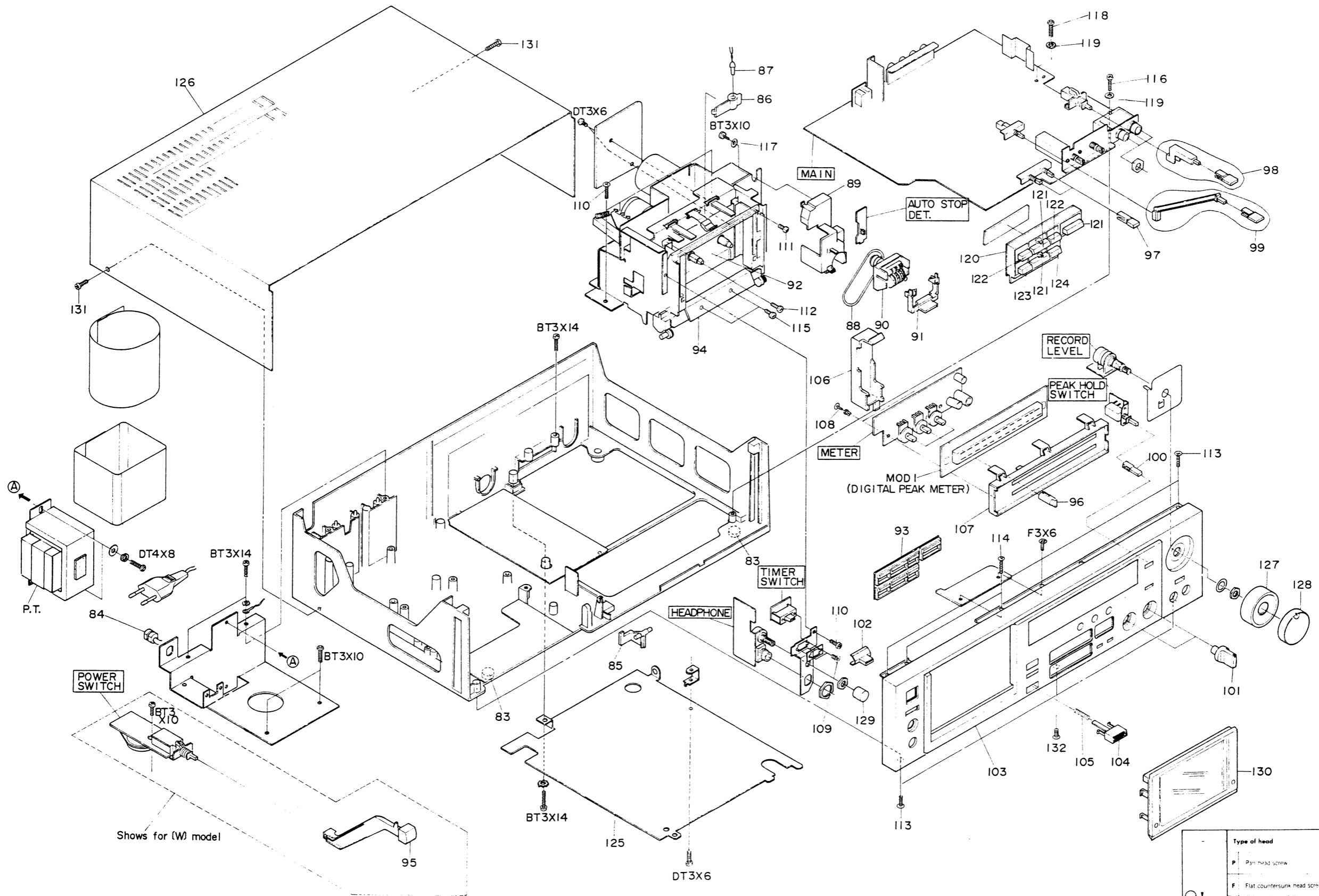
AUTO STOP DET. PC Board



PEAK HOLD SWITCH PC Board

WIRING DIAGRAM





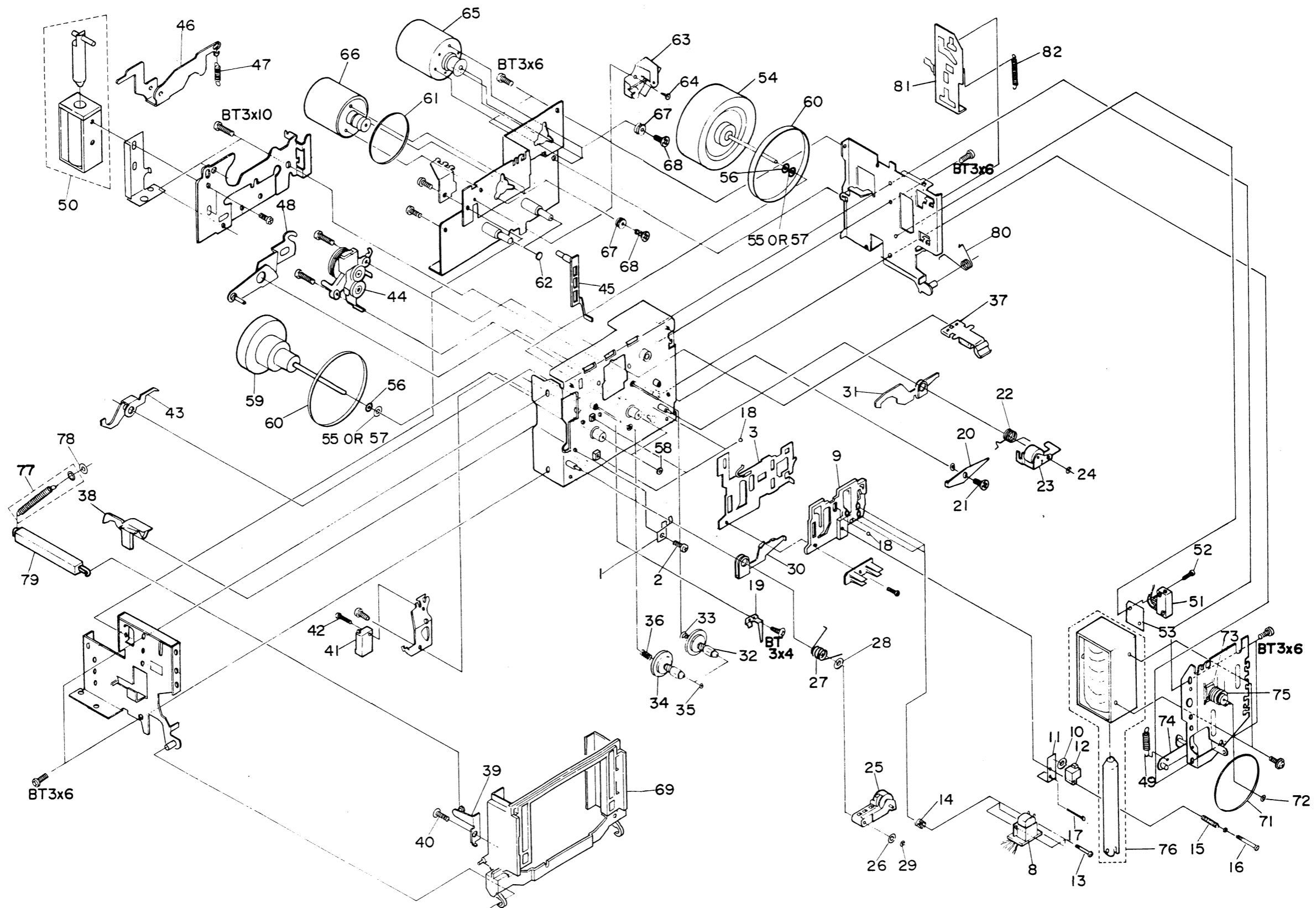
Note: Components marked without numbers in this drawing are not specified as replacement parts.

<http://www.manualscenter.com>

Type of head			
	P Pin head screw		BT Binding head tapping screw
	F Flat countersunk head screw		BL Bolt
	B Binding head screw		W Washer
	T Round head tapping screw		E E-ring
Length L (mm)			
Diameter D (mm)			

When ordering hardware excluding stated on these lists, be sure to make your orders with "standard size".

EXPLODED VIEW (Cassette Chassis)



Note: Components marked without numbers in this drawing are not specified as replacement parts.

SYMBOL-NO	P-NO	DESCRIPTION	SYMBOL-NO	P-NO	DESCRIPTION
COILS			9	6973414	HEAD BASE
L3	5260368	OSCILLATOR TRANSFORMER	10	7786215	POLY SLIDER WASHER
L4	5132113	CHOKO COIL	11	7321221	ERASE HEAD BASE
MISCELLANEOUS			12	5445313	ERASE HEAD
MOD1	5310521	DIGITAL PEAK METER	13	7781752	SPECIAL SCREW
RL1	5641141	REED RELAY (W,FS,BS,AU)	14	6321246	HEAD SPRING
J6	5651141	5P DIN SOCKET (W,FS,BS,AU)	15	6320744	HEAD SPRING
	5722113	FUSE HOLDER	16	7781921	PAN HEAD SCREW-2MMX25MM
△	5746157	POWER CORD (W,FS)	17	7780554	SCREW
△	5746342	POWER CORD (BS)	18	0948492	BALL - 2MMD
△	5746442	POWER CORD (U,C)	19	6532991	HEAD PLATE SPRING
△	5746571	POWER CORD (AU)	20	7311982	EJECT STOP PLATE
△ F1	5721064	FUSE 2.5A (W,FS,BS,AU)	21	7536872	LOCK LEVER PIN
△ F1	5721224	FUSE 2.5A (U,C)	22	6545953	SPRING FOR PRESSURE ROLLER
△ F2	5720175	FUSE 0.8A (W,FS,BS,AU)	23	7329782	PRESSURE ROLLER ARM ASSEMBLY
△ F2	5721163	FUSE 800MA (U,C)	24	7778856	POLYESTER WASHER
△ F3	5720172	FUSE 400MA (W)	25	6383475	PRESSURE ROLLER ARM ASSEMBLY
J1LR,J2LR	5676261	PIN JACK ASSEMBLY (LINE IN/LINE OUT)	26	7772623	SPRING
J3	5674262	HEADPHONE JACK	27	6545334	SPRING
J4LR	5674201	MIC JACK	28	7786215	POLY SLIDER WASHER
J5	5677131	8P DIN SOCKET (REMOTE)	29	7778856	POLYESTER WASHER
LC1LR	5161665	DOLBY FILTER	30	7329041	PAUSE LEVER (L)
LC2LR	5120562	TRAP COIL	31	7329051	PAUSE LEVER (R)
S 1	5613381	ROTARY SWITCH (TAPE SELECTOR)	32	6414021	TURNTABLE ASSEMBLY
S 2	5634367	PUSH SWITCH (MONITOR)	33	6305892	BACK TENSION SPRING
S 3	5612297	ROTARY SWITCH (DOLBY NR)	34	6414023	TURNTABLE ASSEMBLY (SUPPLY)
S 4	5634306	PUSH SWITCH (INPUT SELECTOR)	35	7786115	POLYESTER WASHER
S 5	5634368	PUSH SWITCH (AUTO REW.)	36	6320731	BACK TENSION SPRING LEFT
S 6	5620082	SLIDE SWITCH (TIMER)	37	6752856	CASSETTE HOLDER SPRING
△ S16	5633482	PUSH SWITCH (POWER) (U,C)	38	6752873	RECORD PREVENTION ARM
△ S16	5633541	PUSH SWITCH (POWER) (FS,BS,AU)	39	7331331	TRAY BRACKET ASSEMBLY
△ S16	5633641	PUSH SWITCH (POWER) (W)	40	7781582	FALT SCREW-3MMDX10MM(BLACK)
△ S17	5605083	ROTARY SWITCH (VOLTAGE SELECTOR) (W)	41	5633361	PUSH SWITCH
S18	5634306	PUSH SWITCH (PEAK HOLD)	42	0671310	DT SCREW-2.6MMDX10MM
FOR ACCESSORIES			43	7330392	BRAKE FUNCTION ARM
	7740321	HEAD CLEANING STICK	44	6413817	FF/REWIND BASE ASSEMBLY
	5894163	PATCH CORD	45	7312125	PAUSE SLIDER ASSEMBLY
△	5662021	SOCKET ADAPTER (W)	46	7330382	PAUSE ARM
FOR CASSETTE DECK ASSEMBLY (GF-3G)			47	6300987	SPRING
1	6534251	SPRING	48	7312511	PLAY ARM ASSEMBLY
2	0671306	DT SCREW-2.6MMDX6MM	49	6322473	SPRING
3	7334346	HEAD PLATE ASSEMBLY	50	5642522	DC SOLENOID ASSEMBLY
8	5444853	RECORD PLAYBACK HEAD	51	5633361	PUSH SWITCH
			52	0671310	DT SCREW-2.6MMDX10MM
			53	7745241	INSULATION FIBER
			54	6373325	FLYWHEEL ASSEMBLY (R)
			55	7778848	POLY SLIDER WASHER

REPLACEMENT PARTS LIST

SYMBOL-NO	P-NO	DESCRIPTION	SYMBOL-NO	P-NO	DESCRIPTION
CAPACITORS			0200	5331422	DIODE 5M-1A-02
C 2LR	0256388	TANTALUM ELECTROLYTIC 10MF,10V	0201	5331422	DIODE 5M-1A-02
△CR1	0219902	CR PACK 120 OHM 0.0033MF 450V (U)	0202	5330551	ZENER DIODE HZ11A
△CR1	0219907	CR PACK (C)	0203LR	5330574	DIODE 1S2473
RESISTORS			0204	5330847	DIODE RD2.7E-82
R 99	0170479	FUSE RESISTOR 6.80HM+-5% 1/4W	IC1LR	5350561	IC HA 11226
R150	0170481	FUSE RESISTOR 220HM+-5% 1/4W	IC2	5359724	IC μPD554C046
RT 1LR	0151808	SEMI VARIABLE RESISTOR 10K OHM	IC3	5352221	IC BA6107
RT 2LR	0151808	SEMI VARIABLE RESISTOR 10K OHM	IC5	5350601	IC NJM4558D
RT 5LR	0151808	SEMI VARIABLE RESISTOR 10K OHM	IC7	5391031	HALL ELEMENT DN6838
RT 8LR	0151818	SEMI VARIABLE RESISTOR 100 KOHM	Q 1LR	5321295	TRANSISTOR 2SC1740E
RT200LR	5007189	SEMI VARIABLE RESISTOR 100KOHM	Q 2LR	5321295	TRANSISTOR 2SC1740E
RV1LR	5000556	VARIABLE 20KOHM(A)	Q 3LR	5321506	TRANSISTOR 2SK68A-N
RV2LR	5000616	VARIABLE RESISTOR 10KOHM(B)	Q 4LR	5321295	TRANSISTOR 2SC1740E
RV 3LR	5000682	VARIABLE RESISTOR 10KOHM(B)	Q 5LR	5321295	TRANSISTOR 2SC1740E
RV 4	5000683	VARIABLE RESISTOR 5KOHM(B)	Q 6	5321295	TRANSISTOR 2SC1740E
SEMI-CONDUCTORS			Q 7LR	5321295	TRANSISTOR 2SC1740E
D 1LR	5331503	DIODE 1KR9	Q 10LR	5321295	TRANSISTOR 2SC1740E
D 2LR	5330574	DIODE 1S2473	Q 11LR	5321295	TRANSISTOR 2SC1740E
D 3L	5330571	DIODE 1S2473VE	Q 12LR	5321213	TRANSISTOR 2SD468C
D 3R	5330574	DIODE 1S2473	Q 13LR	5321295	TRANSISTOR 2SC1740E
J 4LR	5330574	DIODE 1S2473	Q 14LR	5321295	TRANSISTOR 2SC1740E
D 5LR	5331503	DIODE 1KR9	Q 20	5322671	TRANSISTOR 2SD985
D 6LR	5330574	DIODE 1S2473	Q 21	5322651	TRANSISTOR 2SD0667C
D 7	5330574	DIODE 1S2473	Q 22	5320613	TRANSISTOR 2SC1213C
D 8	5330574	DIODE 1S2473	Q 23	5321295	TRANSISTOR 2SC1740E
D 10	5330841	ZENER DIODE RD5.1E-8	Q 24	5321295	TRANSISTOR 2SC1740E
D 18	5330311	DIODE SILICON HZ7A 1.0M	Q 25	5322671	TRANSISTOR 2SD985
D 19-28	5331422	DIODE 5M-1A-02	Q 26	5322671	TRANSISTOR 2SD985
D 29	5330555	DIODE HZ11B2	Q 27	5321295	TRANSISTOR 2SC1740E
D 30	5330848	ZENER DIODE RD5.1E82	Q 28	5321295	TRANSISTOR 2SC1740E
D 31	5330574	DIODE 1S2473	Q 30	5321301	TRANSISTOR 2SC1061
D 32	5330574	DIODE 1S2473	Q 32	5321213	TRANSISTOR 2SD468C
D 33	5331581	DIODE RD22E82	Q170	5321295	TRANSISTOR 2SC1740E (W,FS,BS,AU)
D 34	5330556	ZENER DIODE HZ11A2	Q171	5321295	TRANSISTOR 2SC1740E (W,FS,BS,AU)
D 35	5330556	ZENER DIODE HZ11A2	Q200	5320643	TRANSISTOR SILICON 2SC1162 150M
D 36	5330562	DIODE HZ16-2	TH1	5340231	THERMISTER 112302-2
D 37	5330571	DIODE 1S2473VE	TRANSFORMERS		
D 38	5330841	ZENER DIODE RD5.1E-8	△PT	5212921	POWER TRANSFORMER (U+C)
D 39	5331422	DIODE 5M-1A-02	△PT	5212922	POWER TRANSFORMER (FS)
D 40	5380651	LED SEL1741Y	△PT	5212923	POWER TRANSFORMER (BS)
D 41	5380631	LED SEL1112R	△PT	5212924	POWER TRANSFORMER (W)
D 42	5380641	LED SEL1331G	△PT	5212925	POWER TRANSFORMER (AU)
D170	5330574	DIODE 1S2473 (W,FS,BS,AU)	COILS		
D171	5330574	DIODE 1S2473 (W,FS,BS,AU)	L1LR	5260215	TRAP COIL 33HH
D172	5330574	DIODE 1S2473 (W,FS,BS,AU)	L2LR	5120274	CHOKE COIL

SYMBOL-NO	P-NO	DESCRIPTION	SYMBOL-NO	P-NO	DESCRIPTION
FOR CASSETTE DECK ASSEMBLY (GF-3G)			95	6762011	PUSH BUTTON ASSEMBLY (POWER) (U,C,FS,BS,AU)
56	7772623	SPRING		6762012	PUSH BUTTON ASSEMBLY (POWER) (W)
57	7778847	POLY SLIDER WASHER	96	6283541	KNOB-8MMD (BIAS ADJ., REC. CAL.)
58	7786623	POLY SLIDER WASHER	97	6299241	PUSH BUTTON (AUTO, MEMORY REWIND)
59	6373305	FLYWHEEL ASSEMBLY (L)	98	6762001	PUSH BUTTON ASSEMBLY (INPUT)
60	6357301	FLYWHEEL BELT	99	6762002	PUSH BUTTON ASSEMBLY (MONITOR)
61	6355214	BELT	100	6299231	PUSH BUTTON (PEAK HOLD)
62	7768682	THRUST SUPPORT	101	6288281	SELECTOR KNOB (TAPE, DOLBY NR)
63	7290501	GOVERNOR	102	6295621	SLIDE KNOB (TIMER SW)
64	0671305	DT SCREW-2.6MMDX5MM	103	6224071	FRONT PANEL ASSEMBLY
65	5576881	DC MOTOR ASSEMBLY (PLAY)	104	6299261	EJECT KNOB
66	5576665	DC MOTOR ASSEMBLY (FF/REWIND)	105	6303057	SPRING FOR EJECT KNOB
67	6576084	RUBBER PLATE	106	6764851	METER HOLDER
68	7539002	SCREW FOR MOTOR MOUNTING	107	6762831	LED FRAME ASSEMBLY
69	6762216	CASSETTE TRAY ASSEMBLY	108	6714215	NYLON RIVET
71	6354684	BELT FOR FF+REWIND	109	0721304	FLAT SCREW-2.6MMDX4MM
72	7786115	POLYESTER WASHER	110	7781585	BT FLAT SCREW-3MMDX12MM (BLACK)
73	7778855	POLY SLIDER WASHER	111	0678316	DT SCREW-2.6MMDX16MM (BLACK)
74	7312114	PLAY ARM ASSEMBLY	112	7780915	BIND TAPPING SCREW-2MMDX5MM
75	6422401	COUNTER PULLEY	113	7781581	BT FLAT SCREW-3MMDX10MM
76	5642662	SOLENOID ASSEMBLY (PLAY)	114	7781582	FALT SCREW-3MMDX10MM (BLACK)
77	6540015	DAMPER SPRING	115	8699408	BT BIND HEAD SCREW-3MMDX8MM (BLACK)
78	7778848	POLYSLIDER WASHER	116	8699410	BT BIND HEAD SCREW-3MMDX10MM (BLACK)
79	6753014	EJECT ARM ASSEMBLY	117	0681276	WASHER - 3MM
80	6546085	SPRING FOR EJECT ARM	118	8678408	DT SCREW-3MMDX8MM
81	7325822	EJECT SLIDER ASSEMBLY	119	7786353	WASHER
82	6301722	SPRING	120	5982141	FUNCTION SWITCH ASSEMBLY
FOR CASSETTE DECK ASSEMBLY (B)			121	6299271	BUTTON (PLAY+PAUSE+STOP)
83	7740601	FELT LEG	122	6299272	BUTTON (FF+REWIND)
△ 84	0043793	BUSHING (U,C,AU)	123	6299273	BUTTON (REC)
	6794081	BUSHING (W,FS)	124	6299274	BUTTON (MUTE)
	6711351	BUSHING (BS)	MISCELLANEOUS		
85	6760443	EJECT LEVER	125	6042804	BOTTOM COVER
86	6760111	LAMP HOLDER	126	6043503	UPPER COVER (W+FS+BS,AU)
87	5762036	PILOT LAMP		6043504	UPPER COVER (U,C)
88	6355064	COUNTER BELT	127	6288175	KNOB ASS-38MMD (RECORD LEVEL-R)
89	6764981	COUNTER HOLDER	128	6288163	KNOB ASS-36.5MMD (RECORD LEVEL-L)
90	5559461	COUNTER	129	6288301	KNOB ASS-12MMD (OUTPUT LEVEL)
91	6052252	RESET BUTTON ASSEMBLY	130	6092984	CASSETTE DOOR ASSEMBLY
92	6631385	CASSETTE METAL ASSEMBLY	131	7781731	BT BIND SCREW-4MMDX10MM (W+FS+BS+AU)
93	6762021	FUNCTION FRAME		8699610	BT BIND SCREW-4MMDX10MM (U,C)
94	6182223	HEAD COVER ASSEMBLY	132	7781581	BT FLAT SCREW-3MMDX10MM

HITACHI **SERVICE MANUAL**

TK

Nr. 1472G

D-E95

(U, C, FS, BS, AU, W)

Technische Informationen

In diesen Technischen Informationen sind die neuen Schaltkreise (Mikroprozessor und Peripherie-schaltkreise) des Modells D-E95 beschrieben. Andere Informationen sind der Werkstattanleitung Nr. 1465 zu entnehmen. Die Funktion des in dieses Gerät eingebauten Mikroprozessors (μ PD-554C-046) ist grundsätzlich gleich wie die des in Modell D-85S eingebauten Mikroprozessors (μ PD-554C-028). Es gibt jedoch einige Unterschiede hinsichtlich der Ein-/Ausgangsstifte und des gespeicherten Programms, so daß die beiden Mikroprozessor nicht austauschbar sind.

<http://www.manualscenter.com>

Inhaltsverzeichnis

Beschreibung des neuen Schaltkreises	2
Ablaufdiagramm	5
Ablauf des Prüfprogramms	8
Funktion der Ein-/Ausgangsstifte des IC2 (μ PD-554C-046)	11

Vorsichtsmaßnahmen bei der Handhabung von MOS-ICs

1. MOS-ICs werden in schwarzem Schaumstoff verpackt geliefert. Dieser Schaumstoff ist elektrisch leitend und dient zum Schutz der integrierten Schaltkreise (ICs) im Falle von Kurzschlüssen zwischen den Anschlüssen.
Die ICs sollten während der Lagerung in diesem Schaumstoff verpackt bleiben; die ICs niemals in Plastik verpacken, das statische Elektrizität aufweisen könnte (z.B. Styropor).
2. Für das Löten ist ein geerdeter bzw. ein Niederspannungs-LötKolben zu verwenden, da es sonst aufgrund von Kriechspannungen zu Beschädigungen der ICs kommen könnte.
3. Auch der Körper des mit Lötarbeiten betrauten Arbeiters sollte geerdet werden, da sich im menschlichen Körper, in aus Kunstfasern hergestellten Kleidungsstücken, in Nylon-Handschuhen usw. eine statische Elektrizität von mehreren tausend Volt aufbauen kann.
4. Unbedingt alle Meßinstrumente wie Oszilloskop, Röhrevoltmeter usw. vor der Verwendung erden.
5. Vor Beginn von Lötarbeiten, immer die Stromversorgung des Gerätes abschalten.

Stereo-Cassettendeck

Februar 1981 TOKAI WORKS

480

Beschreibung des neuen Schaltkreises

1. Initialisierungskreis

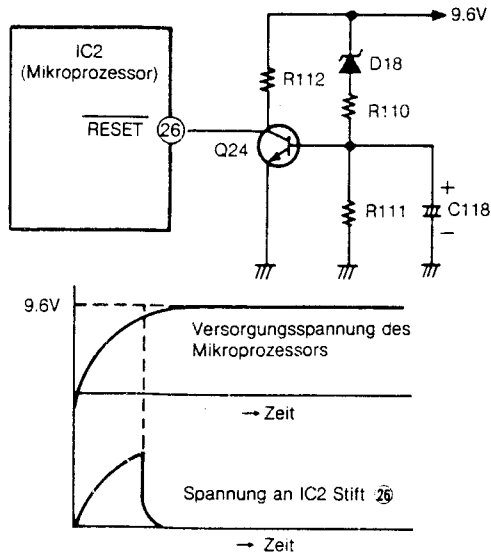


Abb. 1

Dieser Schaltkreis dient für die Initialisierung des Mikroprozessors (damit dieser vom Beginn des Programms an arbeitet), wenn der Netzschalter eingeschaltet wird oder wenn die Versorgungsspannung wieder auf den Normalpegel ansteigt, nachdem sie aus irgendeinem Grund abgefallen ist.

Bei Normalbetrieb liegt an Stift 26 des Mikroprozessors ein niedriger Pegel (Nullpotential) an. Wird die Stromversorgung des Mikroprozessors eingeschaltet, dann steigt die Spannung auf einen höheren Wert als die Zener-Spannung der Diode D18 an, so daß der Umkehrstrom zunimmt und die Diode aktiviert wird. Dadurch strömt ein Basisstrom durch R110, wodurch Q24 leitend wird und Stift 26 einen niedrigen Pegel annimmt, was wiederum die Initialisierung des Mikroprozessors auslöst.

2. Treiberkreis für Wickeltellermotor

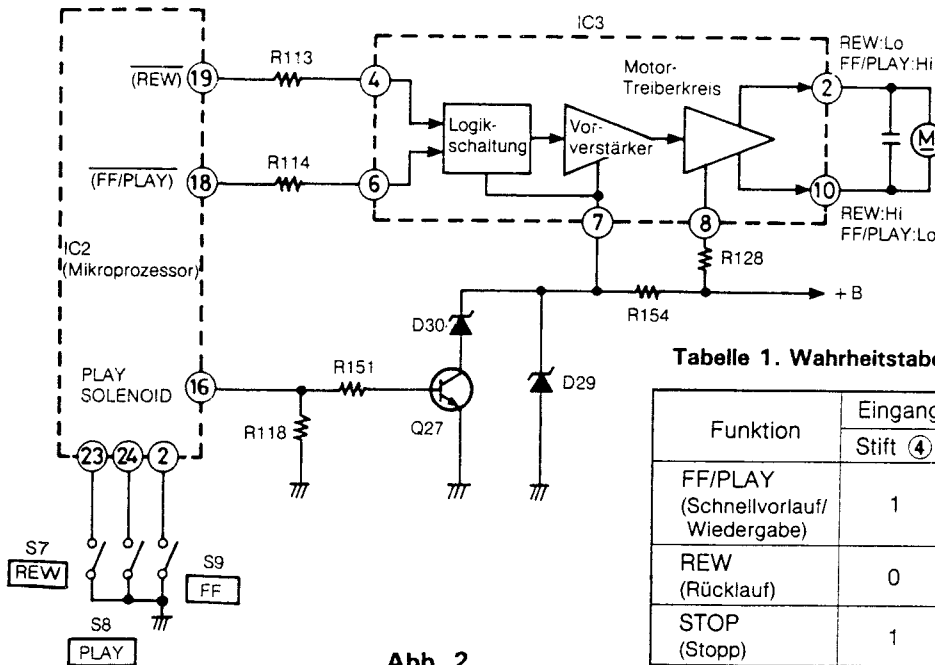


Abb. 2

Tabelle 1. Wahrheitstabelle für Ein-/Ausgänge des IC3

Funktion	Eingangspotential		Ausgangspotential	
	Stift ④	Stift ⑥	Stift ②	Stift ⑩
FF/PLAY (Schnellvorlauf/ Wiedergabe)	1	0	1	0
REW (Rücklauf)	0	1	0	1
STOP (Stopp)	1	1	0	0

1 = Hoher Pegel, 0 = Niedriger Pegel (Nullpotential)

(1) FF/PLAY (Schnellvorlauf/Wiedergabe)

Wird die Schnellvorlauffaste (S9) oder Starttaste (S8) gedrückt, dann wird an Stift 18 ein niedriger Pegel und an Stift 19 (IC2) ein hoher Pegel ausgegeben; diese Pegel werden den Stiften des IC3 eingespeist. Stift 10 nimmt damit ein Nullpotential an, wogegen Stift 2 einen hohen Pegel annimmt, wie es in der Tabelle 1 aufgeführt ist. Dadurch strömt der Antriebsstrom vom Motor über Stift 2 zu Stift 10, und der Motor dreht in Vorlaufrichtung; während der Wieder-

gabe (PLAY) dreht der Motor in gleicher Richtung, wobei jedoch an IC2 Stift 16 ein hoher Pegel anliegt und Q27 leitend ist. Dadurch fällt das an Stift 7 anliegende Potential ab, die Stromstärke am Ausgang nimmt zu und die Motordrehzahl fällt ab.

(2) REW (Rücklauf)

Bei eingerasteter Rücklauffaste (S7) liegt an Stift 19 ein niedriges und an Stift 18 ein hohes Potential an, so daß der Motor in Rücklaufrichtung dreht.

3. Bandenden-Detektorschaltkreis

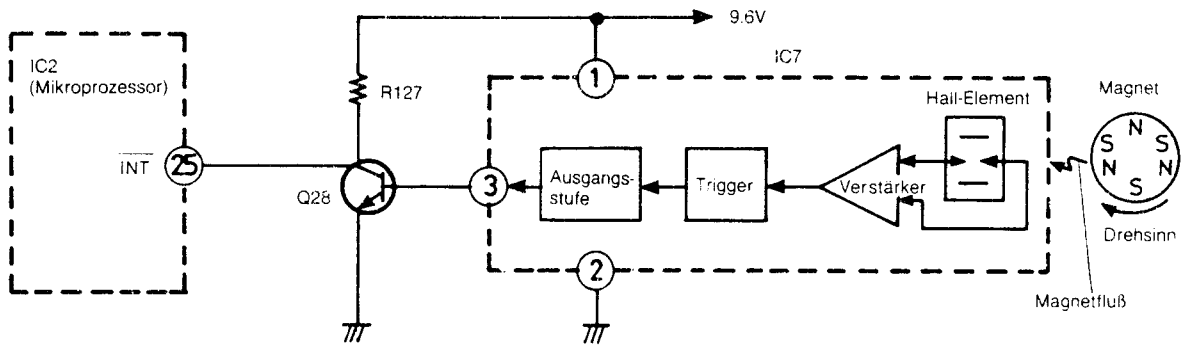


Abb. 3

Der IC7 (DN6838) enthält den Bandenden-Detektorschaltkreis; er spürt die Änderungen in der Magnetflußdichte auf, die aufgrund der Drehung des mehrpoligen Magnetes im Bandzählwerk verursacht

wird. Das so erhaltene Signal wird als Impulsreihe an Stift ③ ausgegeben, durch Q28 in der Phase umgekehrt und an IC2 Stift ②⑤ eingespeist.

Mikroprozessor-Funktionsprinzip

Potential an Stift 25

Initialisierung im Mikroprozessor (Flipflop)

Funktion im Mikroprozessor

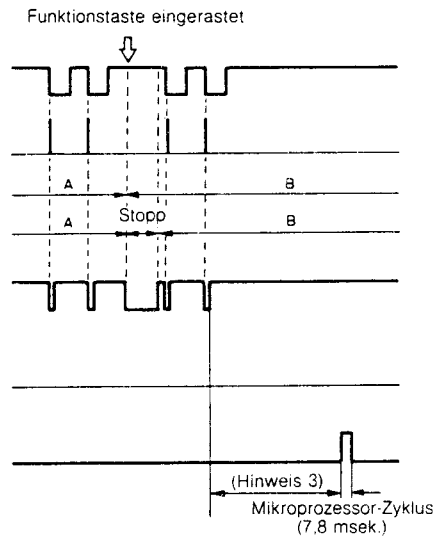
Mikroprozessor-Ausgangsfunktion

Betrieb des Bandenden-Zeitzählwerkes (im Mikroprozessor) (Hinweis 1)

Betriebs des Bandenden-Zeitzählwerkes (im Mikroprozessor) (Hinweis 2)

Bandenden-Detektorsignal (im Mikroprozessor) (Hinweis 1)

Bandenden-Detektorsignal (im Mikroprozessor) (Hinweis 2)



- Hinweise 1: Während Schnellvor-, Rücklauf, Aufnahme oder Wiedergabe.
- 2: Während Stopp, Aufnahme-Haltfunktion oder Pause.
- 3: Während Schnellvor- oder Rücklauf: 1 sek. Während Aufnahme oder Wiedergabe: 3 sek.

Abb. 4

Wie dem Zeitablaufdiagramm entnommen werden kann, wird bei Eingabe eines Impulses an Stift ②⑤ ein Zeitzählwerksimpuls an der Nachlaufflanke des Eingangsimpulses im Initialisierungsschaltkreis (INT) (Flipflop) des Mikroprozessors erzeugt, wodurch die Zählfunktion vom Bandenden-Zeitzählwerk im Mikroprozessor aufgenommen wird.

Der von IC7 erzeugte Impuls stoppt am Bandende, so daß Stift ②⑤ einen hohen Pegel annimmt, um die Erzeugung des Zeitzählwerkimpulses im Mikroprozessor (INT) zu unterbrechen. Dadurch wird das Bandenden-Detektor-Impulssignal erzeugt, das während der Schnellvor- oder Rücklauffunktion das

Bandlaufwerk etwa eine Sekunde bzw. während der Aufnahme- oder Wiedergabefunktion etwa drei Sekunden nach Betriebsbeginn des Bandenden-Zeitzählwerkes abschaltet.

Das Zeitzählwerk zählt die Impulse vom Drücken der Starttaste (PLAY) bis zur Betätigung der Rücklaufftaste (REW) während der Memory-Rücklauf/Stop/Wiedergabefunktion. Während des Memory-Rücklaufs erfolgt dann das Rückzählen auf Null, wobei das Band um vier Impulse weiter zurückgespult wird, als der Stelle entspricht, an der die Starttaste (PLAY) gedrückt wurde, wonach ein Bandendensignal ausgegeben wird, um das Bandlaufwerk abzuschalten.

4. Tauchspulen-Treiberkreis/Mutingkreis

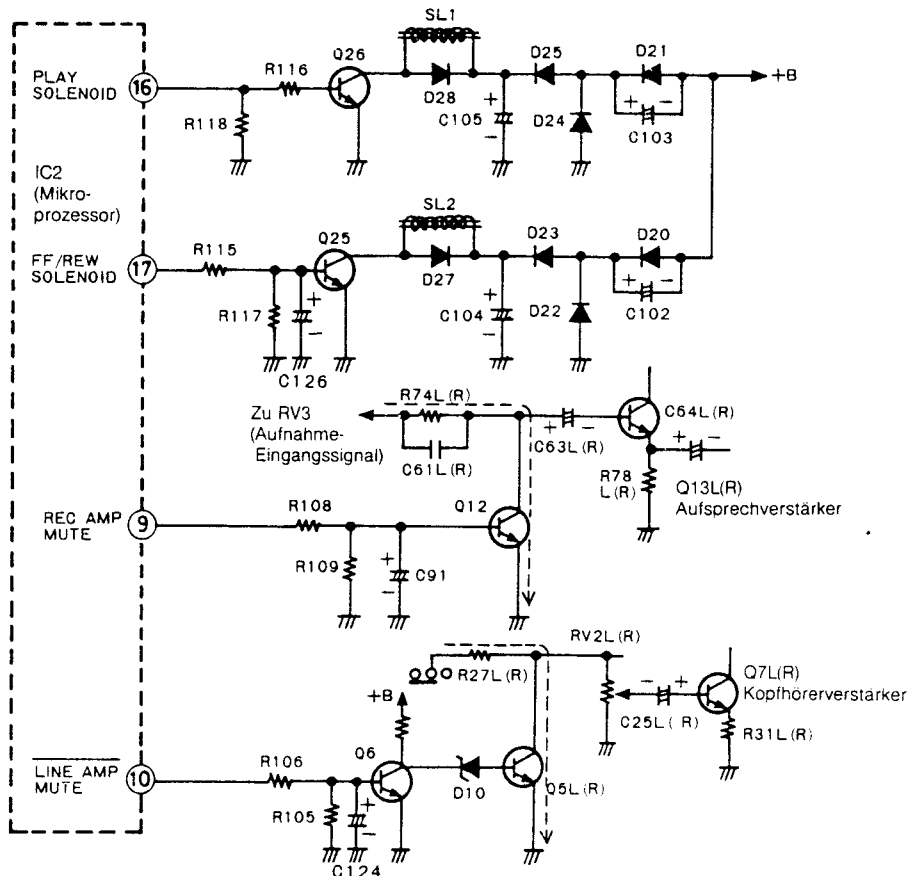


Abb. 5

(1) Magnetspulen-Treiberkreis

• Bei Wiedergabe (PLAY)

Bei eingerasteter Starttaste (PLAY) (S8) liegt an Stift ①⑥ des Mikroprozessors ein hoher Pegel an; ein Basisstrom fließt durch R116 und Q26 wird in den leitenden Zustand versetzt, wodurch die Tonkopf-Magnetspule arbeitet und das Gerät auf die Wiedergabefunktion (PLAY) geschaltet wird.

• Bei Schnellvor-/Rücklauf (FF/REW)

Wird die Schnellvorlauf-taste (FF) (S9) oder die Rücklauf-taste (REW) (W7) eingerastet, dann nimmt der Stift ①⑦ des Mikroprozessors einen hohen Pegel an, wodurch Q25 in den leitenden Zustand versetzt wird, die Bremsplatten-Tauchspule arbeitet und das Gerät auf die Schnellvor- (FF) oder Rücklauf-funktion (REW) geschaltet wird.

(2) Mutingkreis

• Aufsprechverstärker-Mutingkreis

Der Aufsprechverstärker-Mutingstift ⑨ des IC2 weist normalerweise ein hohes Potential an, so daß der Muting-Transistor Q12 leitend ist und das Eingangssignal des Aufsprechverstärkers Q13L(R) unterdrückt wird. Nach einer Zeitverzögerung von 200 msek. nach dem Drücken der Aufnahme-taste (REC) (S11) (bei Aufnahme) liegt ein Nullpotential an, so daß Q12 sperrt und das

Aufsprechsignal in den Aufsprechverstärker eingegeben wird, d.h. die Aufnahme wird durchgeführt.

• Wiedergabeverstärker-Mutingkreis

An Ausgangsstift ⑩ liegt immer ein hohes Potential an, wenn der Monitorschalter auf Position SOURCE gestellt ist, so daß Q6 leitend ist, Q5L(R) dagegen sperrt. Dieses hohe Potential wird nach einer Zeitverzögerung von 200 msek. (wenn von der Stopp- oder Pausenfunktion auf die Muting-funktion umgeschaltet wird) oder 900 msek. (wenn von der Schnellvor- oder Rücklauffunktion auf diese Funktion umgeschaltet wird) nach dem Einrasten der Starttaste (PLAY) (S8) ausgegeben. Während anderen als der Aufnahme-funktion liegt am angegebenen Stift ein Nullpotential an, so daß Q6 sperrt, die Vorspannung über D10 an die Basis angelegt wird, Q5L(R) in den leitenden Zustand versetzt und das Wiedergabesignal unterdrückt wird.

• Mutingschaltkreis für Aufnahmeautomatik (AUTO REC MUTE)

Wird die Aufnahme-Muting-taste (REC MUTE) (S13) eingerastet, dann wird gleich wie bei Aufnahme an Stift ⑨ ein hochpegeliges Signal ausgegeben, so daß das Aufsprechsignal unterdrückt wird.

D-E95 D-E95

Ablaufdiagramm

1. Magnetspulen-Ausgang/Motor-Ausgang/Aufnahme-Vormagnetisierungszosillator-Ausgang/Muting-Ausgang

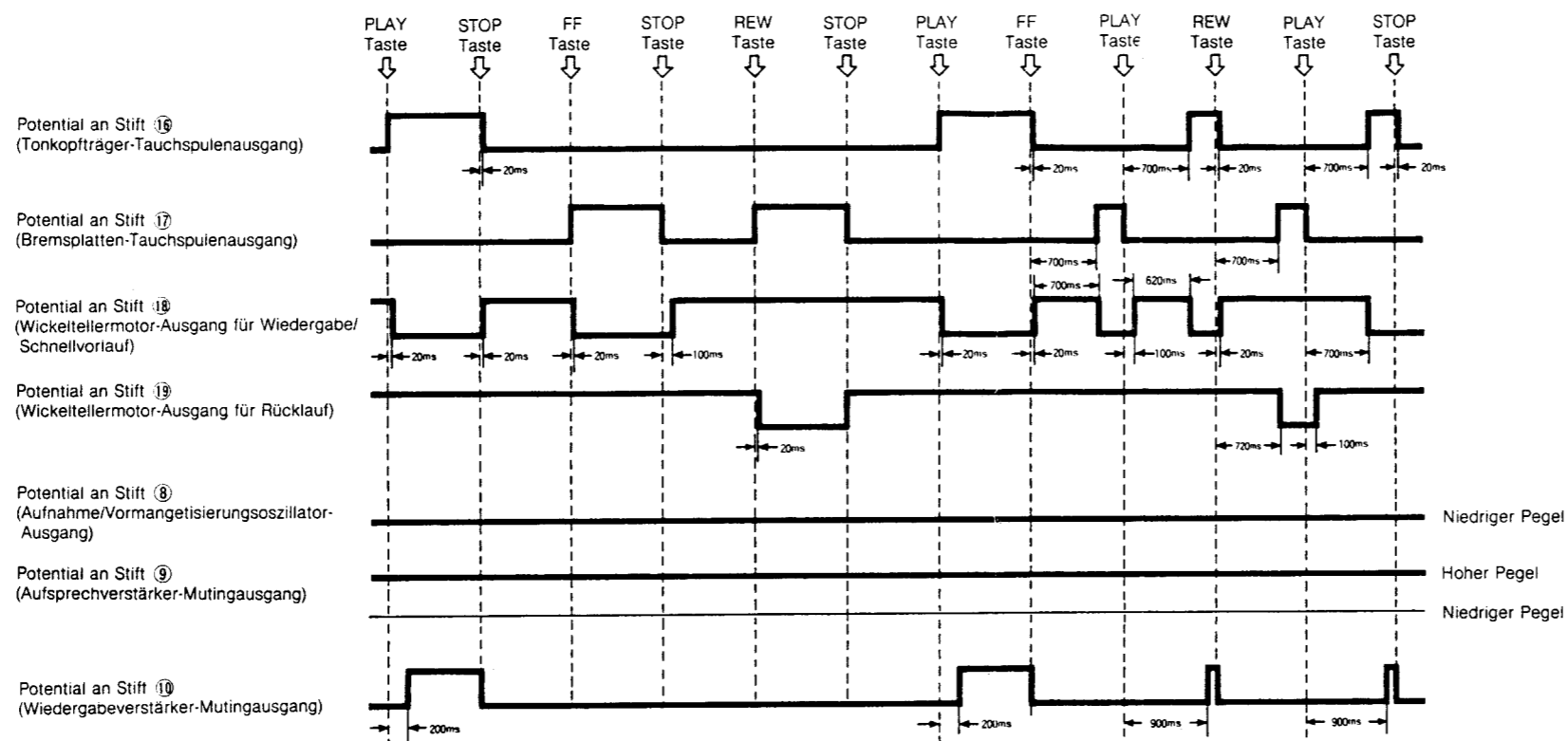


Abb. 6

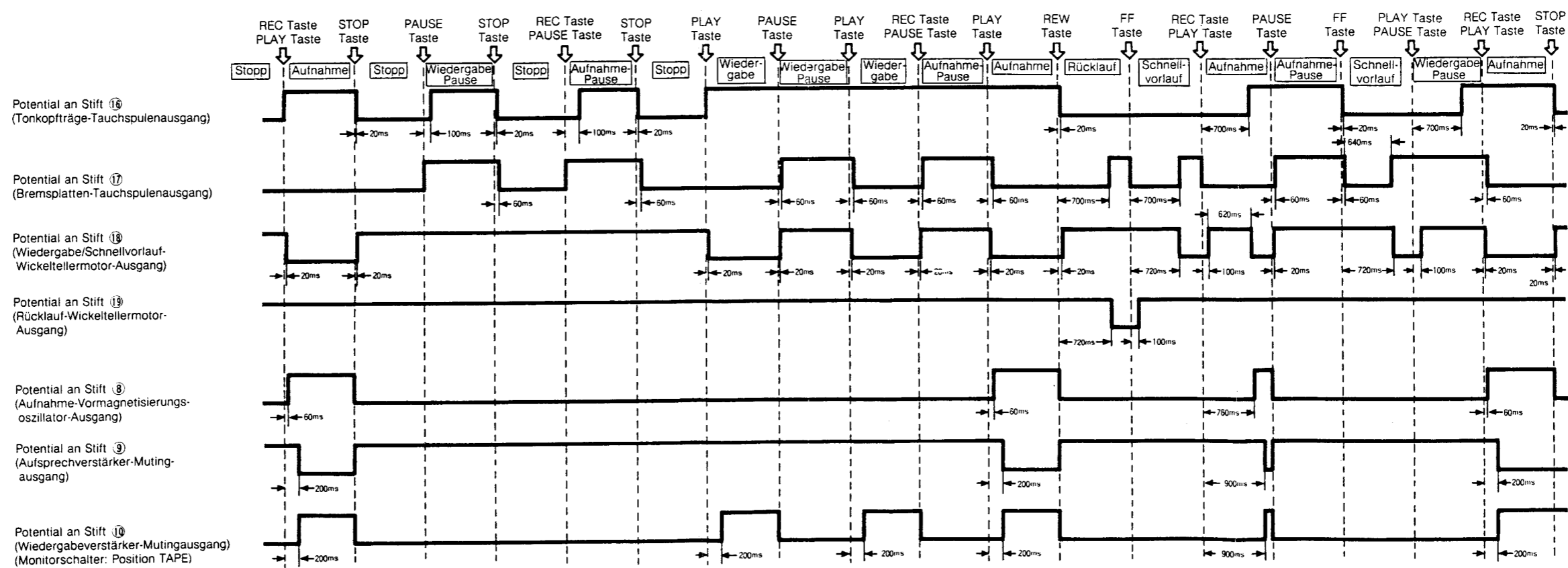


Abb. 7

2. Mutingausgang für Aufnahmeautomatik (AUTO REC MUTE)

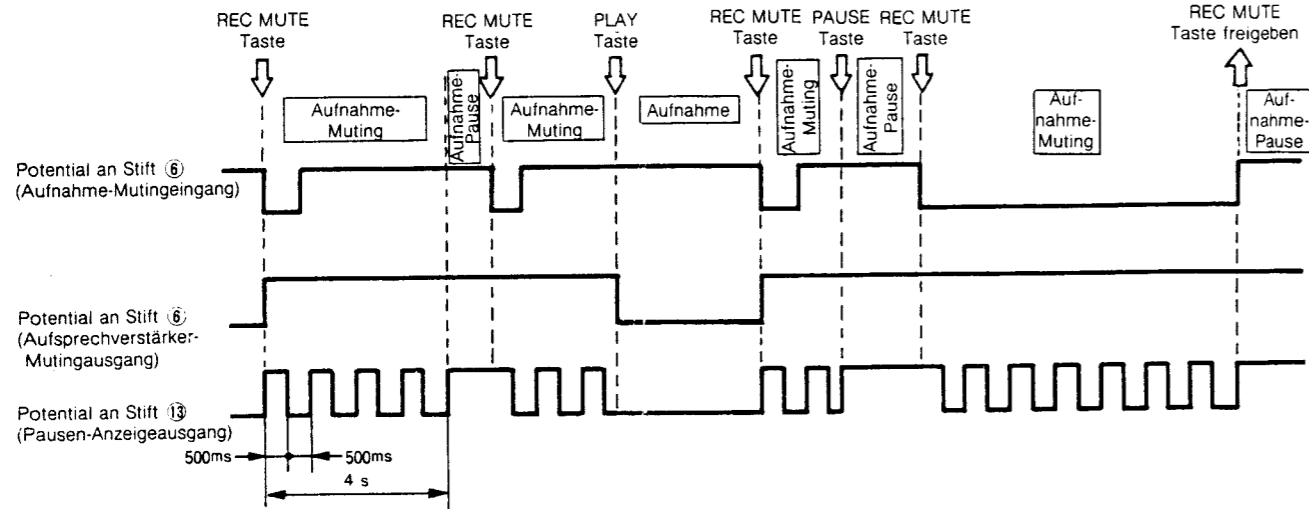


Abb. 8

3. Wiedergabe-Anzeige (PLAY)

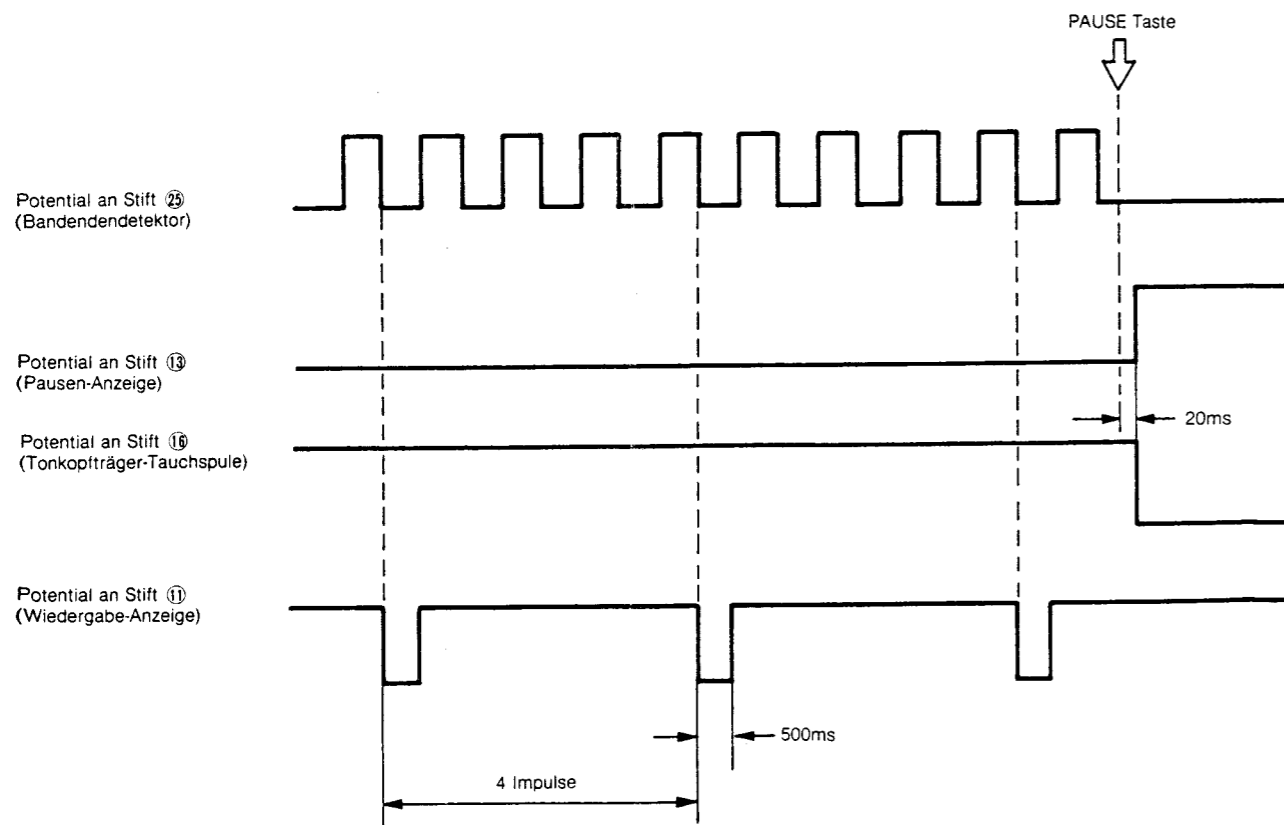


Abb. 9

Ablauf des Prüfprogramms

Der Mikroprozessor dieses Gerätes ist mit einem Prüfprogramm ausgerüstet. Bei Störungen des Mikroprozessors oder der Peripherieschaltkreise ist die Fehlersuche wie folgt durchzuführen.

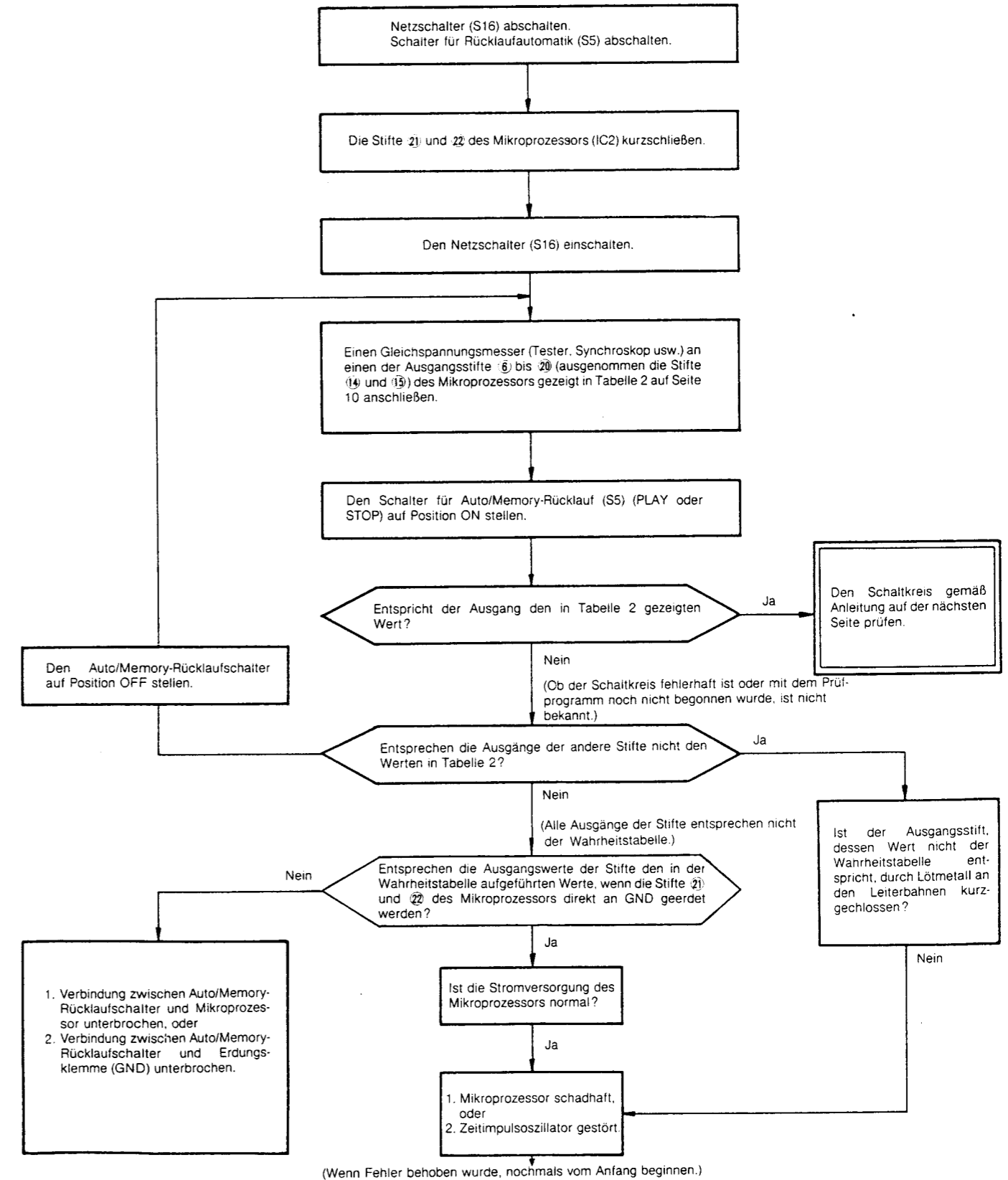


Abb. 10

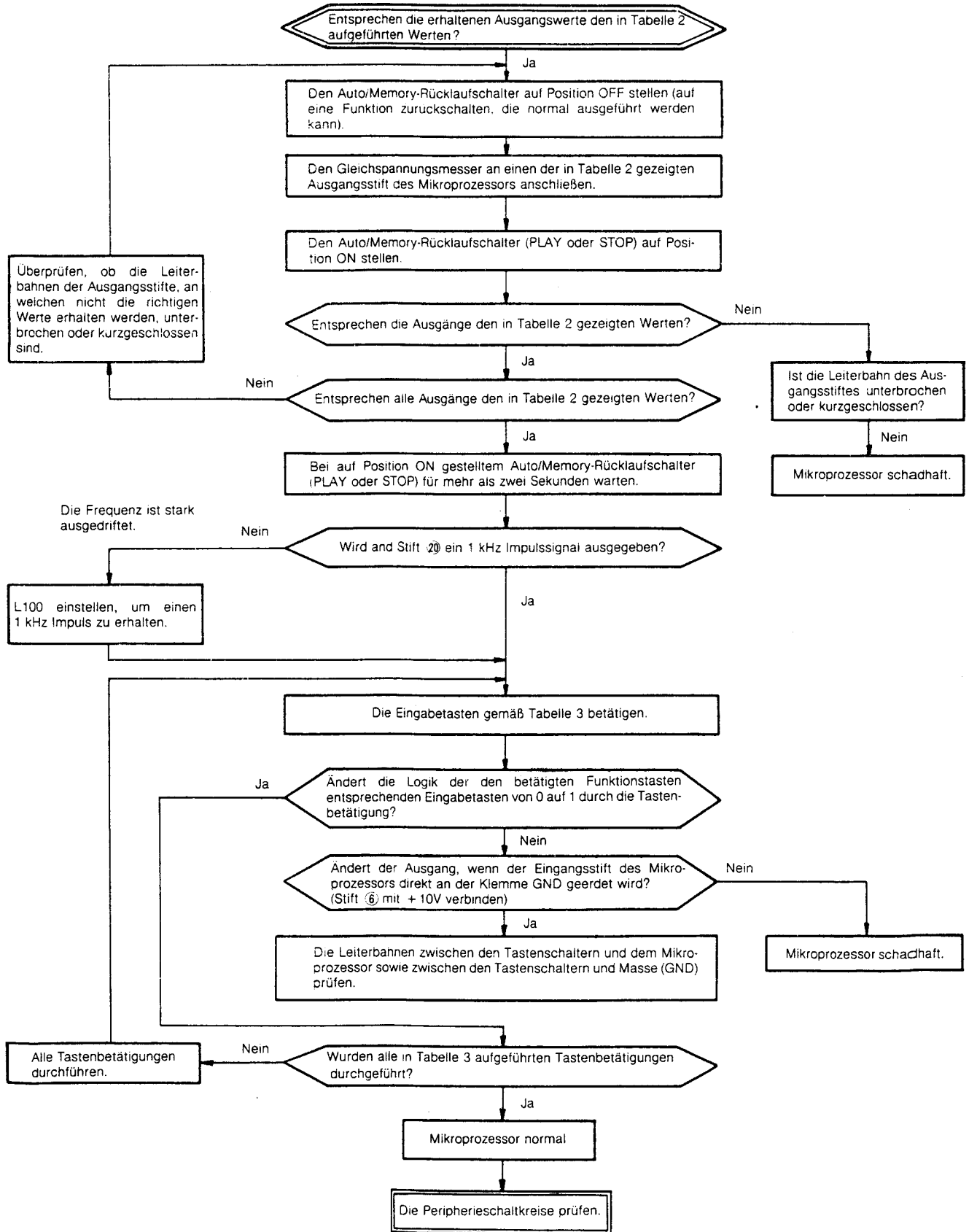


Abb. 11

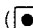
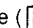
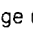
D-E95

Tabelle 2. Wahrheitstabelle der Ausgänge bei Beginn des Prüfprogramms

Mikroprozessor-Ausgang		Zeit und Wahrheitstabelle der Ausgänge nach Beginn des Prüfprogramms		
Stift-Nr. (Stift-Markierung)	Steuerkreis	1 sek. nach Beginn	1 — 2 sek. nach Beginn	Mehr als 2 sek. nach Beginn
6 (\overline{PD}_0)	(Aufnahme-Muting)	0	1	0
7 (PD_1)	(Monitorschalter)	0	0	0
8 (PD_2)	Vorspannung	0	1	1
9 (PD_3)	Aufsprechverstärker-Muting	1	0	1
10 (\overline{PE}_0)	Wiedergabeverstärker-Muting	0	1	0
11 (PE_1)	Wiedergabe-Anzeige	1	0	0
12 (PE_2)	Aufnahme-Anzeige	0	1	0
13 (PE_3)	Pausen-Anzeige	1	0	0
16 (PF_0)	Tonkopfräger-Tauchspule	1	0	0
17 (PF_1)	Bremsplatten-Tauchspule	0	1	0
18 (\overline{PF}_2)	Wiedergabe/Schnellvorlaufmotor	1	0	1
19 (\overline{PF}_3)	Rücklaufmotor	0	1	0
20 (\overline{PG}_0)	Zeitschalter	1	0	1 kHz Impuls

Hinweis: 0 bedeutet niedriges Potential (Nullpotential) (0V) wogegen 1 einen hohen Pegel (8 — 10V) angibt.

Tabelle 3. Betriebsprüfung durch Tastenbetätigung (Wahrheitstabelle)

Vorgang	Tastenbetätigung	Funktion des Cassettendecks	Eingangsstift		Ausgangsstift	
			Nr.	Potential	Nr.	Potential
1	PLAY Taste drücken	REC Anzeige ( , D41) leuchtet auf	24	1 → 0	12	0 → 1
2	Aufwickelteller etwas drehen.	PLAY Anzeige ( , D42) leuchtet auf.	25	Impulseingang	11	0 → 1
3	REC Taste drücken (Schalter für Aufnahmesperre eingeschaltet).	PAUSE Anzeige ( , D40) leuchtet auf.	4	1 → 0	13	0 → 1
4	PAUSE Taste drücken.	Tonkopfräger-Tauchspule (SL1) aktiviert.	5	1 → 0	16	0 → 1
5	FF Taste drücken.	Bremsplatten-Tauchspule (SL2) aktiviert.	2	1 → 0	17	0 → 1
6	REW Taste drücken.	PLAY Signal wird unterdrückt (Spannungsänderung am Ausgangsstift prüfen).	23	1 → 0	10	0 → 1
7	STOP Taste drücken.	PLAY/FF bzw. REW Motor stoppt.	3	1 → 0	19	0 → 1

* Diese Wahrheitstabelle zeigt die Ein-/Ausgangsstift-Nummern der den Funktionstasten entsprechenden Stifte sowie die Spannungsänderungen. Die Prüfung ist durch Anschließen eines Gleichspannungsmessers an die entsprechenden Stifte durchzuführen.
Hinweis: 1 zeigt einen hohen Pegel (8 — 10V), 0 einen niedrigen Pegel (Nullpotential) (0V) an.

Funktion der Ein-/Ausgangsstifte des IC2 (μ PD-554C-046)

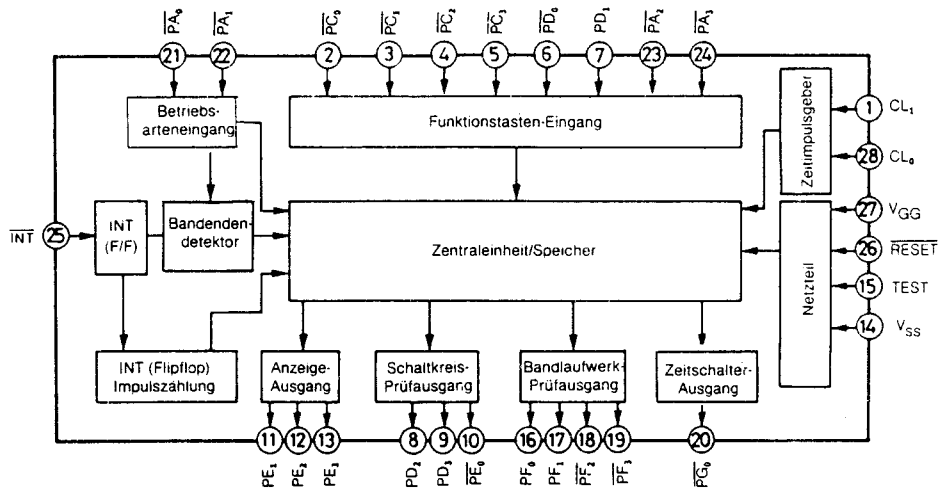
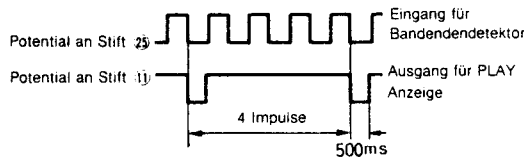


Abb. 12

Stift-Nr.	Stift-Symbol	Funktion
1	CL ₁	Mit diesen Stiften wird die Schwingungsfrequenz des eingebauten Zeitimpulsgenerators eingegeben, der das Bezugssignal für den Betrieb des Mikroprozessors erzeugt; die Eingabe erfolgt mittels LC-Resonanzkreis. Die Schwingungsfrequenz wurde werksseitig auf 1 kHz eingestellt.
28	CL ₀	
2	\overline{PC}_0	Eingangsstift für die Schnellvorlauffunktion. Während der Schnellvorlauffunktion liegt hier ein Nullpotential an.
3	\overline{PC}_1	Eingangsstift für Stoppfunktion. Während der Stoppfunktion liegt hier ein Nullpotential an (wenn STOP oder EJECT Taste gedrückt wird).
4	\overline{PC}_2	Eingangsstift für Aufnahmefunktion. Während der Aufnahmefunktion liegt hier ein Nullpotential an.
5	\overline{PC}_3	Eingangsstift für Pausenfunktion. Während der Pausenfunktion liegt hier ein Nullpotential an.
6	\overline{PD}_0	<ul style="list-style-type: none"> Eingangsstift für Aufnahme-Mutingfunktion. Wird während der REC oder REC/PAUSE Funktion ein Nullpotential angelegt, dann wird ein hochpegeliges Signal ausgegeben. Wird automatisch vier Sekunden nach der Eingabe des Ausgangswertes freigegeben, oder wenn die PLAY bzw. PAUSE Taste gedrückt bzw. auf eine andere Funktion geändert wird.
7	PD ₁	Eingangsstift für Monitor-Detektor. Dieser Stift spürt die eingestellte Position des Monitorschalters auf; bei auf Position TAPE gestelltem Monitorschalter liegt ein Nullpotential, bei auf Position SOURCE gestelltem Schalter ein hochpegeliges Signal an.
8	PD ₂	Ausgangsstift für den Betrieb des Aufnahme-Vormagnetisierungoszillator-Schaltkreises. Während der Aufnahmefunktion wird hier ein hochpegeliges Signal ausgegeben.
9	PD ₃	Ausgangsstift für Aufsprechverstärker-Mutingfunktion. Bei anderen als der REC Funktion sowie während der AUTO REC MUTE Funktion wird hier ein hochpegeliges Signal ausgegeben, um das Aufsprechsignal zu unterdrücken.
10	\overline{PE}_0	Ausgangsstift für Wiedergabeverstärker-Mutingfunktion. Bei anderen als der PLAY Funktion wird hier ein Nullpotential ausgegeben, um das Wiedergabesignal zu unterdrücken.
11	PE ₁	<ul style="list-style-type: none"> Wiedergabe-Anzeige-Ausgangsstift. Hier liegt während Aufnahme, Wiedergabe und Pause ein hoher Pegel an. Ist während der Wiedergabe mit dem Bandenden-Eingangsimpuls synchronisiert und erzeugt den Blinkimpuls. Die Abschaltzeit der Anzeige ist mit 500 msek. konstant.



Stift-Nr.	Stift-Symbol	Funktion
11	PE ₁	<ul style="list-style-type: none"> • Wenn die PLAY Taste gedrückt bzw. der Timerschalter PLAY oder REC innerhalb von drei Sekunden nach dem Einschalten der Stromversorgung auf Position ON gestellt wird und die Rückstellung beendet ist, dann wird der Blinkimpuls in Intervallen von 250 msek. für drei Sekunden nach der Rückstellung ausgegeben. Nach Ablauf von drei Sekunden wird die gleiche Funktion wie während der PLAY Funktion erhalten. <p>Timing diagram for PE₁: Shows a pulse sequence starting after 'Netzschalter ON'. The pulse width is 7.8ms, and the interval between pulses is 125ms. The total duration of the pulse sequence is 3s. Labels include 'Potential an Stift 20', 'Potential an Stift 11', 'Timer-Ausgang', and 'Ausgang für PLAY Anzeige'.</p>
12	PE ₂	<ul style="list-style-type: none"> • Ausgangsstift für Aufnahme-Anzeige. Während der REC, REC PAUSE und REC HOLD Funktion liegt hier ein hoher Pegel an. • Wenn die REC und PLAY Taste gleichzeitig eingerastet werden oder der Timer-Schalter REC innerhalb von drei Sekunden nach dem Einschalten des Netzschalters und der Beendigung der Rückstellung auf Position ON gestellt wird, dann wird ein Blinkimpuls in Intervallen von 250 msek. für drei Sekunden ausgegeben. Nach Ablauf der drei Sekunden liegt ein hohes Potential an. <p>Timing diagram for PE₂: Shows a pulse sequence starting after 'Netzschalter ON'. The pulse width is 7.8ms, and the interval between pulses is 125ms. The total duration of the pulse sequence is 3s. Labels include 'Potential an Stift 20', 'Potential an Stift 12', 'Timer-Ausgang', and 'Ausgang für REC Anzeige'.</p>
13	PE ₃	<ul style="list-style-type: none"> • Ausgangsstift für Pausen-Anzeige. Während der Pausenfunktion liegt hier ein hoher Pegel an. • Wenn die REC MUTE Taste während der Aufnahme- oder REC/PAUSE Funktion gedrückt wird, dann wird der Blinkimpuls für vier Sekunden ausgegeben. Nach Ablauf dieser vier Sekunden liegt ein hoher Pegel an. <p>Timing diagram for PE₃: Shows a pulse sequence starting after 'REC MUTE ON' and 'REC MUTE Schalter OFF'. The pulse width is 500ms, and the interval between pulses is 500ms. The total duration of the pulse sequence is 4s. Labels include 'Potential an Stift 13' and 'Ausgang für PAUSE Anzeige'.</p>
14	V _{SS}	Stift für Stromversorgung; hier liegen +10V an.
15	TEST	Mikroprozessor-Prüfstift; angeschlossen an V _{SS} , da normalerweise nicht verwendet.
16	PF ₀	<p>Ausgangsstift für Tonkopfräger-Tauchspule. Während der REC (Aufnahme- und Starttaste gleichzeitig eingerastet) oder PLAY Funktion liegt hier ein hochpegeliges Signal an. Nach einer Verzögerungszeit (700 msek.) wird hier ein hochpegeliges Signal ausgegeben, wenn von der FF oder REW Funktion auf die PLAY Funktion umgeschaltet wird.</p> <p>Timing diagram for PF₀: Shows a pulse sequence starting after 'PLAY ON', 'STOP ON', and 'PLAY ON'. The pulse width is 20ms, and the delay before the pulse is 700ms. Labels include 'Potential an Stift 16', 'FF oder REW', 'PLAY', and 'STOP'.</p>
17	PF ₁	<p>Ausgangsstift für Bremsplatten-Tauchspule (FF/REW). Während der FF oder REW Funktion wird hier ein hohes Potential ausgegeben. Wenn die Funktion von der REC oder PLAY Funktion umgeschaltet wird, dann erfolgt der Ausgang mit Zeitverzögerung (700 msek.).</p> <p>Timing diagram for PF₁: Shows a pulse sequence starting after 'FF/REW ON', 'PLAY ON', and 'FF/REW ON'. The pulse width is 700ms. Labels include 'Potential an Stift 17', 'STOP', 'PLAY', and 'FF oder REW'.</p>

Stift-Nr.	Stift-Symbol	Funktion
18	\overline{PF}_2	<p>Ausgangsstift für Wiedergabe/Schnellvorlauf-Wickeltellermotor. Normalerweise liegt hier ein hohes Potential an; während der PLAY oder FF Funktion liegt hier jedoch ein Nullpotential an (Stift ⑱ mit hohem Potential).</p> <p>Nach dem Umschalten von der STOP Funktion wird hier ein hoher Pegel mit einer Verzögerung von 20 msek. und nach dem Umschalten von der REW Funktion bzw. von der FF Funktion (oder PLAY Funktion) auf die PLAY Funktion (oder FF Funktion) mit einer Verzögerung von 720 msek. ausgegeben.</p>
19	\overline{PF}_3	<p>Ausgangsstift für Rücklauf-Wickelteller. Normalerweise liegt hier ein hoher Pegel an; während der REW Funktion wird jedoch hier ein Nullpotential ausgegeben (Stift ⑱ hat dabei hohen Pegel). Wenn von anderen als der STOP Funktion umgeschaltet wird, dann wird der Nullpegel mit einer Verzögerung von 720 msek. ausgegeben.</p>
20	\overline{PG}_0	<p>Ausgangsstift für Timer-Aufnahme/Wiedergabe. Hier wird nach dem Einschalten der Stromversorgung mit einer Verzögerung von etwa drei Sekunden ein Nullpotential angelegt, bis ein Zyklus des Hauptprogramms beendet ist. Danach wird das Signal über den Timer-Schalter zurück an die REC oder PLAY Eingangsstifte geleitet. Nach Beendigung eines Zyklus des Hauptprogramms liegt hier ein hohes Potential an.</p>
21	\overline{PA}_0	<ul style="list-style-type: none"> • Eingangsstift für die Auto-Rewind-Stoppfunktion mittels Bandendendetektor. Wenn der Auto-Rewind-Schalter auf Position STOP gestellt ist, dann liegt hier ein Nullpotential an, das als Eingangssignal eingelesen wird. • Eingangsstift für die Auto-Rewind-Stoppfunktion. Wird die REW Taste während der PLAY oder REC Funktion gedrückt, dann wird das Tonband bis zu der Stelle zurückgespult, an der vorher die PLAY Taste gedrückt wurde, worauf das Bandlaufwerk automatisch stoppt. • Dieser Eingangsstift wird für die Durchführung des Prüfprogramms verwendet; wenn hier und gleichzeitig an Stift ⑳ ein Nullpotential anliegt, dann wird das Programm eingelesen.
22	\overline{PA}_1	<ul style="list-style-type: none"> • Eingangsstift für die Auto-Rewind-Wiedergabe mittels Bandendendetektor. Wenn der Auto-Rewind-Schalter auf Position PLAY gestellt ist, dann liegt hier ein Nullpotential an, das eingelesen wird. • Eingangsstift für Memory-Rewind-Wiedergabe. Wird die REW Taste während der PLAY oder REC Funktion gedrückt, dann wird das Tonband bis zu der Stelle zurückgespult, an der die PLAY oder REC Taste gedrückt wurde, worauf automatisch die Wiedergabe einsetzt. • Eingangsstift für die Durchführung des Prüfprogramms. Liest das Programm ein, wenn hier und gleichzeitig an Stift ⑳ ein Nullpotential anliegt.
23	\overline{PA}_2	Eingangsstift für Rücklauffunktion. Während der Rücklauffunktion liegt hier ein Nullpotential an.
24	\overline{PA}_3	Eingangsstift für Wiedergabefunktion. Während der Wiedergabefunktion liegt hier ein Nullpotential an.
25	\overline{INT}	Eingangsstift für Bandendendetektor. Hier wird das Impulssignal des Bandendendetektors eingespeist.
26	\overline{RESET}	Rückstellstift. Die Initialisierung (ursprüngliche Rückstellung) erfolgt durch ein Nullpotential an diesem Stift, wenn die Stromversorgung eingeschaltet wird.
27	V_{SS}	Stromversorgungsstift. Liefert die -10V Spannung, im Gegensatz zu Stift ⑱, der die positive Spannung liefert.



HITACHI SALES EUROPA GmbH
2 Hamburg 54, Kleine Bahnstraße 8, West Germany
Tel. 850 60 71-75

HITACHI SALES (U.K.) Ltd.
Hitachi House, Station Road, Hayes, Middlesex UB3 4DR, England
Tel. 01-848-8787 (Service Centre : 01-848-3551)

HITACHI SALES SCANDINAVIA AB
Rissneleden 8, Sundbyberg, Box 7138, S-172-07 Sundbyberg 7,
Sweden
Tel. 08-98 52 80

HITACHI SALES NORWAY A/S
Oerebekk 1620 Gressvik P.O. Box 46 N-1601 Fredrikstad, Norway
Tel. 032-28050

SUOMEN HITACHI OY
Box 151, SF-15100 Lahti 10, Finland
Tel. Lahti 44 241

HITACHI SALES A/S
Kuldysen 13, DK-2630 Taastrup, Denmark
Tel. 02-999200

HITACHI SALES A.G.
5600 Lenzburg, Switzerland
Tel. 064-513621

HITACHI-FRANCE (Radio-Télévision Electro-Ménager) S.A.
9, Boulevard Ney 75018, Paris, France
Tel. 201-25-00

HITACHI SALES WARENHANDELS GMBH
A-1180/Wien, Kreuzgasse 27
Tel. (0043222) 439367/8

D-E95 TK No. 1472G(E,F) TOKAI

U, C, FS, BS, AU, W