

DVD PLAYER

DVD-S540/DV-S5650

SERVICE MANUAL

DVD-S540
DV-S5650

IMPORTANT NOTICE

This manual has been provided for the use of authorized YAMAHA Retailers and their service personnel. It has been assumed that basic service procedures inherent to the industry, and more specifically YAMAHA Products, are already known and understood by the users, and have therefore not been restated.

WARNING: Failure to follow appropriate service and safety procedures when servicing this product may result in personal injury, destruction of expensive components, and failure of the product to perform as specified. For these reasons, we advise all YAMAHA product owners that any service required should be performed by an authorized YAMAHA Retailer or the appointed service representative.

IMPORTANT: The presentation or sale of this manual to any individual or firm does not constitute authorization, certification or recognition of any applicable technical capabilities, or establish a principle-agent relationship of any form.

The data provided is believed to be accurate and applicable to the unit(s) indicated on the cover. The research, engineering, and service departments of YAMAHA are continually striving to improve YAMAHA products. Modifications are, therefore, inevitable and specifications are subject to change without notice or obligation to retrofit. Should any discrepancy appear to exist, please contact the distributor's Service Division.

WARNING: Static discharges can destroy expensive components. Discharge any static electricity your body may have accumulated by grounding yourself to the ground buss in the unit (heavy gauge black wires connect to this buss).

IMPORTANT: Turn the unit OFF during disassembly and part replacement. Recheck all work before you apply power to the unit.

■ CONTENTS

TO SERVICE PERSONNEL	2-4
PREVENTION OF ELECTRO STATIC DISCHARGE	4
LOCALE MANAGEMENT INFORMATION	5
FRONT PANELS	5-6
REMOTE CONTROL PANELS	6
REAR PANELS	7-8
SPECIFICATIONS / 参考仕様	9
SERVICE HINTS / サービスヒント	10
DISASSEMBLY PROCEDURES / 分解手順	11-13

MAINTENANCE FLOW CHART / メンテナンスフローチャート	14-21
BLOCK DIAGRAM	23
PRINTED CIRCUIT BOARD	24-28
WIRING DIAGRAM	29
SCHEMATIC DIAGRAM	30-38
PARTS LIST	39-46



このサービスマニュアルは、エコマーク認定の再生紙を使用しています。
This Service Manual uses recycled paper.

100863



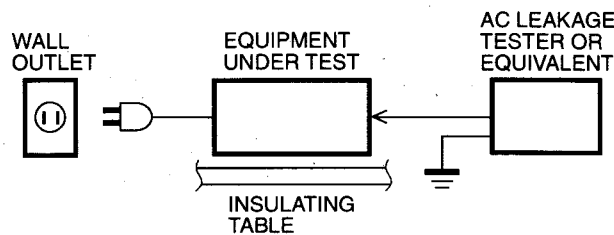
YAMAHA

YAMAHA CORPORATION
P.O. Box 1, Hamamatsu, Japan

2.285K-242 ☐ ♪ Printed in Japan '03. 7

■ TO SERVICE PERSONNEL

1. Critical Components Information
Components having special characteristics are marked \triangle and must be replaced with parts having specifications equal to those originally installed.
2. Leakage Current Measurement (For 120V Models Only)
When service has been completed, it is imperative to verify that all exposed conductive surfaces are properly insulated from supply circuits.
 - Meter impedance should be equivalent to 1500 ohm shunted by 0.15 μ F.



- Leakage current must not exceed 0.5mA.
- Be sure to test for leakage with the AC plug in both polarities.

WARNING: CHEMICAL CONTENT NOTICE!

The solder used in the production of this product contains LEAD. In addition, other electrical/electronic and/or plastic (where applicable) components may also contain traces of chemicals found by the California Health and Welfare Agency (and possibly other entities) to cause cancer and/or birth defects or other reproductive harm.

DO NOT PLACE SOLDER, ELECTRICAL/ELECTRONIC OR PLASTIC COMPONENTS IN YOUR MOUTH FOR ANY REASON WHATSOEVER!

Avoid prolonged, unprotected contact between solder and your skin! When soldering, do not inhale solder fumes or expose eyes to solder/flux vapor!

If you come in contact with solder or components located inside the enclosure of this product, wash your hands before handling food.

WARNING: Laser Safety

This product contains a laser beam component. This component may emit invisible, as well as visible radiation, which may cause eye damage. To protect your eyes and skin from laser radiation, the following precautions must be used during servicing of the unit.

- 1) When testing and/or repairing any component within the product, keep your eyes and skin more than 30 cm away from the laser pick-up unit at all times. Do not stare at the laser beam at any time.
- 2) Do not attempt to readjust, disassemble or repair the laser pick-up, unless noted elsewhere in this manual.
- 3) CAUTION : Use of controls, adjustments or performance of procedures other than those specified herein may result in hazardous radiation exposure.

Laser Emitting conditions:

- 1) When the Top Cover is removed, and the STANDBY/ON SW is turned to the "ON" position, the laser component will emit a beam for several seconds to detect if a disc is present. During this time (5-10 sec.) the laser may radiate through the lens of the laser pick-up unit. Do not attempt any servicing during this period! If no disc is detected, the laser will stop emitting the beam. When a disc is loaded, you will not be exposed to any laser emissions.

警告：レーザーの安全対策

本機はレーザー光線を放射する部品を搭載しています。この部品が放射するレーザー光線は目に損傷を起こします。このレーザー光線から目及び肌を保護するために、本機の修理作業中は下記の注意を厳守してください。

- 1) テスト時または修理時、目及び肌を光ピックアップから30cm以上離してください。いかなる場合もレーザー光線を見つめないでください。
- 2) 光ピックアップの再調整及び分解はしないでください。
- 3) このマニュアル上で指定されている以外の制御、調整、手順はレーザー光線を照射される結果を招く恐れがあります。

レーザー放射条件

- 1) トップカバーを取り外しSTANDBY/ONスイッチをONにすると、ディスク検知のため5～10秒間、光ピックアップからレーザー光線が放射されます。この間、修理はしないでください。ディスクが検知されなければ、レーザー光線の放射は停止します。ディスクがセットされている場合、ディスクで遮られるのでレーザー光線は修理担当者には届きません。

2) The laser power level can be adjusted with the VR on the pick-up PWB, however, this level has been set by the factory prior to shipping from the factory. Do not adjust this laser level control unless instruction is provided elsewhere in this manual. Adjustment of this control can increase the laser emission level from the device.

2) レーザーパワーレベルは光ピックアップ基板上のVRにより調整可能ですが、工場出荷前に調整セット済みなので、このVRは廻さないでください。このVRを廻すと装置からのレーザー光線の放射レベルが上がる恐れがあります。

Laser Diode Properties

Type:	Semiconductor laser GaAlAs
Wave length:	650 nm (DVD) 780 nm (VCD/CD)
Output Power:	7 mW (DVD) 10 mW (VCD/CD)
Beam divergence:	60 degree

レーザー

タイプ	半導体レーザー GaAlAs
波長	650 nm (DVD) 780 nm (VCD/CD)
出力	7 mW (DVD) 10 mW (VCD/CD)
ビーム広がり	60 度

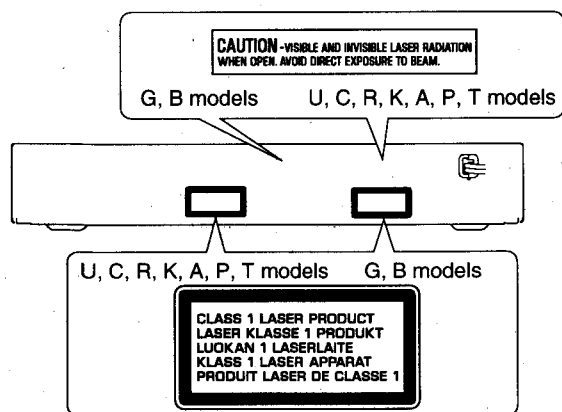
VARO! : AVATTAESSA JA SUOJALUKITUS OHITETTAESSA OLET ALTTIINA NÄKYMÄTTÖMÄLLE LASER-SÄTEILYLLE. ÄLÄ KATSO SÄTEESEEN.

WARNING! : OSYNLIG LASERSTRÅLNING NÄR DENNA DEL ÄR ÖPPNAD OCH SPÄRREN ÄR URKOPPLAD. BETRakta EJ STRÅLEN.

WARNING

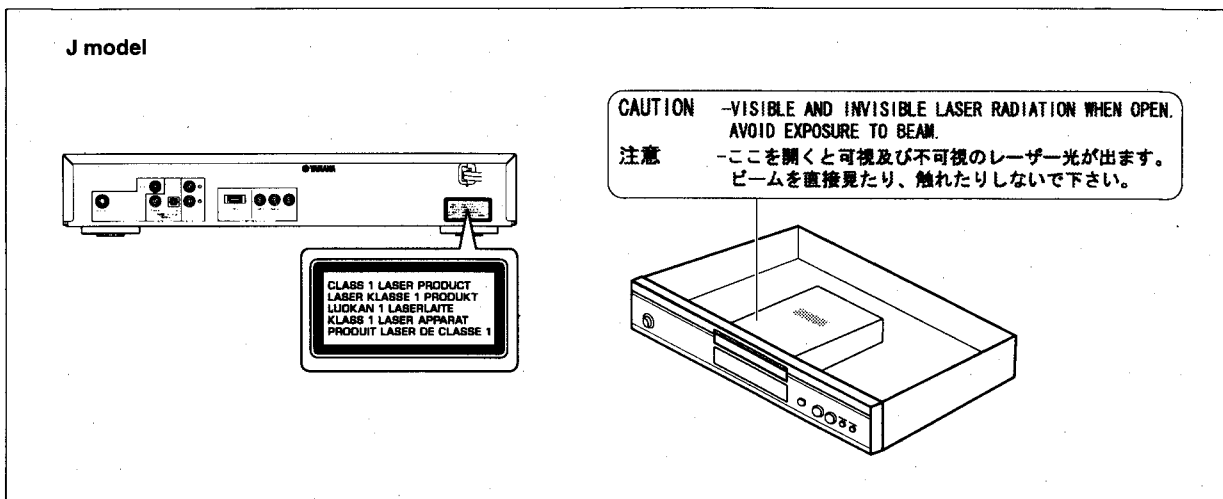
The use of optical instruments with this product will increase eye hazard.

Repair handling should take place as much as possible with a disc loaded inside the player.



WARNING LOCATION: REAR PANEL

CAUTION	VISIBLE AND INVISIBLE LASER RADIATION WHEN OPEN. AVOID EXPOSURE TO BEAM
ADVARSEL	SYNLIG OG USYNLIG LASERSTRÅLING VED ÅBNING UNDGÅ UDSÆTTELSE FOR STRÅLING
ADVARSEL	SYNLIG OG USYNLIG LASERSTRÅLING NÄR DEKSEL ÅPNES UNNGÅ EKSPONERING FOR STRÅLEN
WARNING	SYNLIG OCH OSYNLIG LASERSTRÅLNING NÄR DENNA DEL ÄR ÖPPNAD BETRakta EJ STRÅLEN
VARO!	AVATT AESSA OLET ALTTIINA NÄKYMÄTTÖMÄLLE JA NÄKYMÄTTÖMÄLLE LASER SÄTEILYLLE. ÄLÄ KATSO SÄTEESEEN
VORSICHT	SICHTBARE UND UNSICHTBARE LASERSTRALHUNG WENN ABDECKUNG GEÖFFNET NICHT DEM STRAHL AUSSETZEN
DANGER	VISIBLE AND INVISIBLE LASER RADIATION WHEN OPEN. AVOID DIRECT EXPOSURE TO BEAM
ATTENTION	RAYONNEMENT LASER VISIBLE ET INVISIBLE EN CAS D'OUVERTURE EXPOSITION DANGEREUSE AU FAISCEAU



Warning for power supply

The primary side of the power supply carries live mains voltage when the player is connected to the mains even when the player is switched off !

This primary area is not shielded so it is possible to touch copper tracks and/or components when servicing the player. Service personnel have to take precautions to prevent touching this area or components in this area .

The primary side of the power supply has been indicated with a lightning stroke and a stripe-marked print on the printed wiring board.

Note:

The screws on the DVD mechanism (position 50 in on the exploded view drawing) may never be touched, removed or re-adjusted.

Handle the DVD mechanism with care when the unit has to be exchanged!

The DVD mechanism is very sensitive for dropping or giving shocks.

■ PREVENTION OF ELECTRO STATIC DISCHARGE

The laser diode in the DVD mechanism may be damaged due to static electricity from clothes or the human body. Use caution to prevent electro static damage when servicing or handling the DVD-mechanism.

1. Grounding for electro static damage prevention

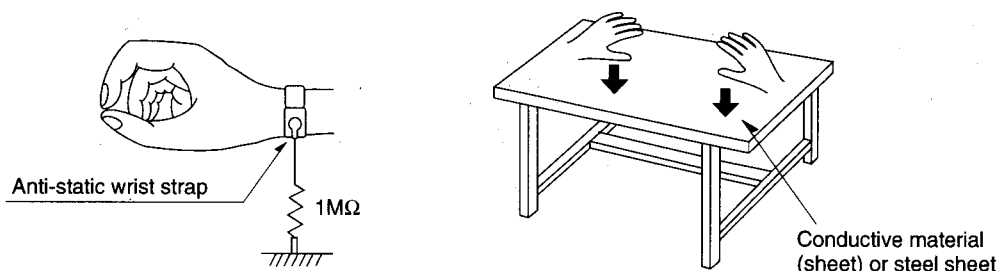
Some devices, such as the DVD player, use an optical pickup (laser diode) that will be damaged by static electricity in the working environment. Only attempt service after ensuring that all grounding procedures have been completed.

1. Worktable grounding

Put a grounded conductive material (sheet) or iron sheet on the area where the optical pickup is placed.

2. Human body grounding

Use an anti-static wrist strap to discharge the static electricity from your body.



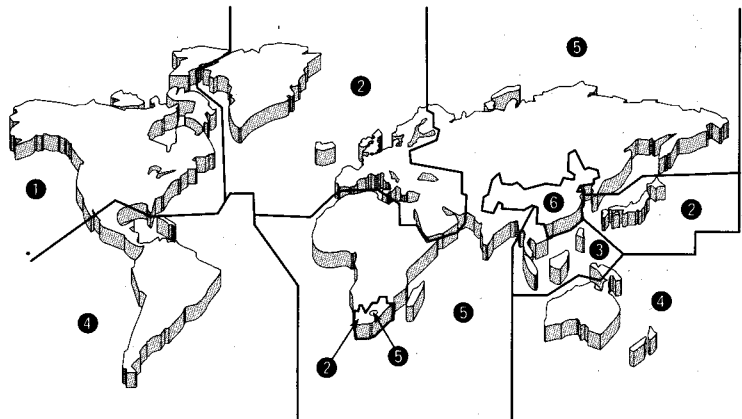
2. Handling Precautions for DVD mechanism

1. Handle the DVD mechanism gently, as it is an extremely high-precision assembly.
2. The flexible cable lines may break if an excessive force is applied to it. Use caution when handling the cable.
3. The semi-fixed resistor for laser power adjustment should not be adjusted. Do not turn the resistor.

LOCALE MANAGEMENT INFORMATION

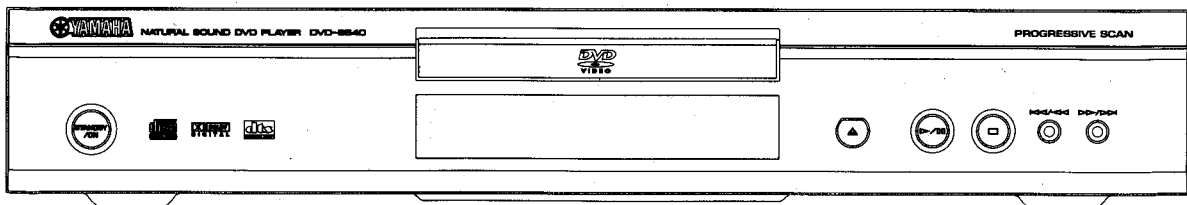
Locale Management Information : This DVD player is designed and manufactured to respond to the Locale Management Information that is recorded on a DVD disc. If the Locale number described on the DVD disc does not correspond to the Locale number of this DVD player, this DVD player cannot play this disc.

This product incorporates copyright protection technology that is protected by method claims of certain U.S. patents and other intellectual property rights owned by Macrovision Corporation and other rights owners. Use of this copyright protection technology must be authorized by Macrovision Corporation, and is intended for home and other limited viewing uses only unless otherwise authorized by Macrovision Corporation. Reverse engineering or disassembly is prohibited.

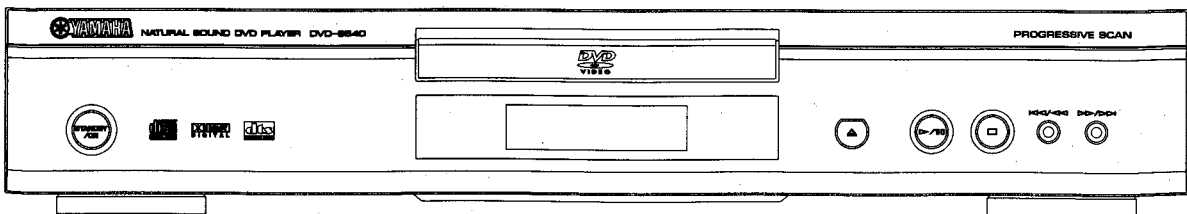


FRONT PANELS

▼ DVD-S540 (U, C models)

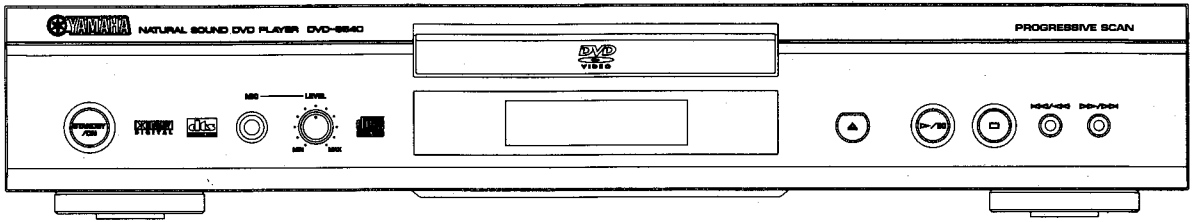


▼ DVD-S540 (A, B, G, P, T, K, J models)

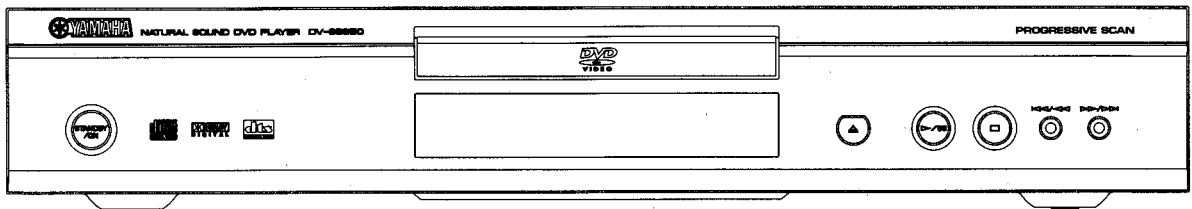


DVD-S540/DV-S5650

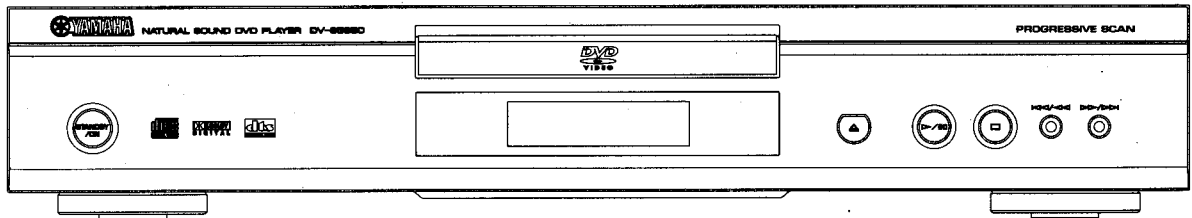
▼ DVD-S540 (R model)



▼ DV-S5650 (U, C model)

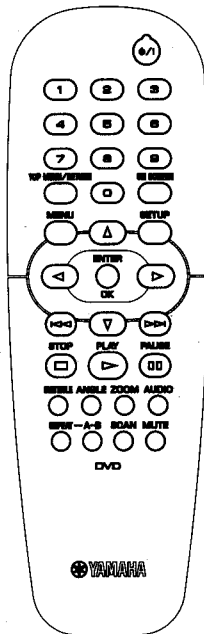


▼ DV-S5650 (A,G models)

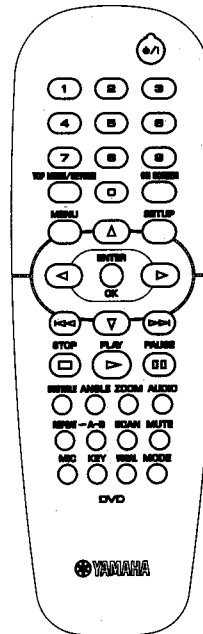


■ REMOTE CONTROL PANELS

▼ U, C, A, B, G, P, T, K, J models

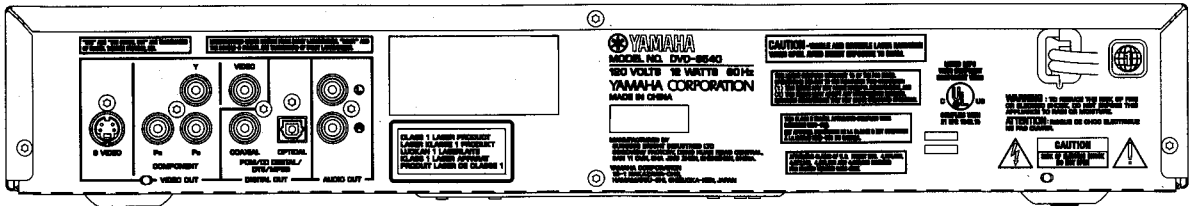


▼ R model

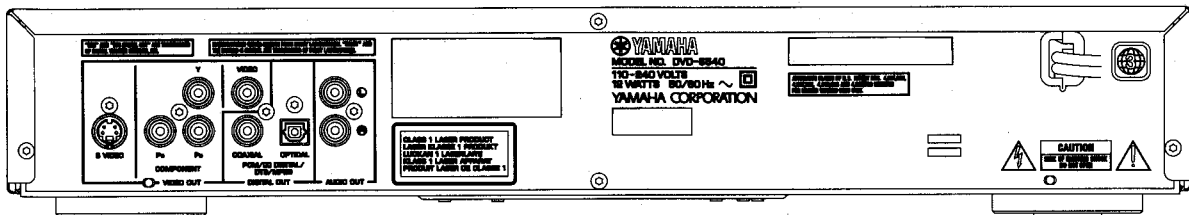


REAR PANELS

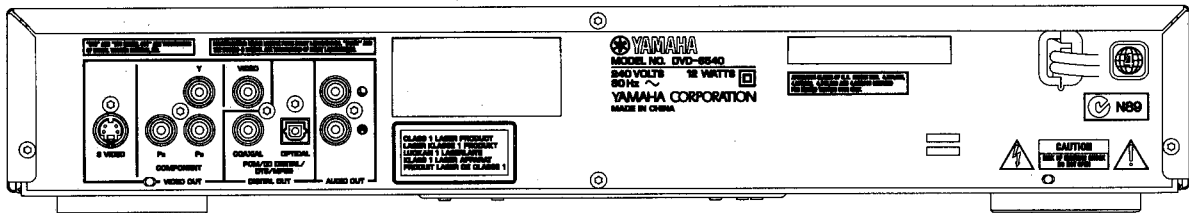
▼ DVD-S540 (U, C models)



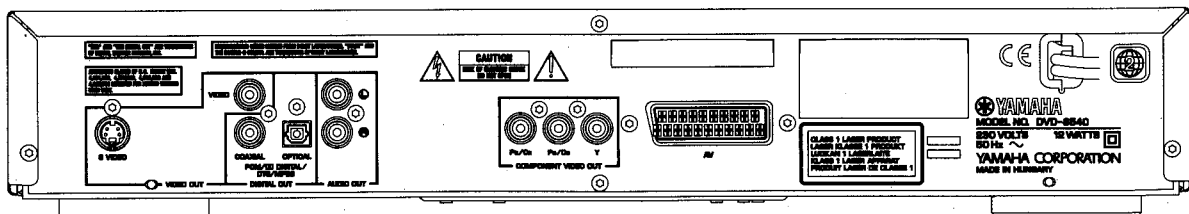
▼ DVD-S540 (R, K models)



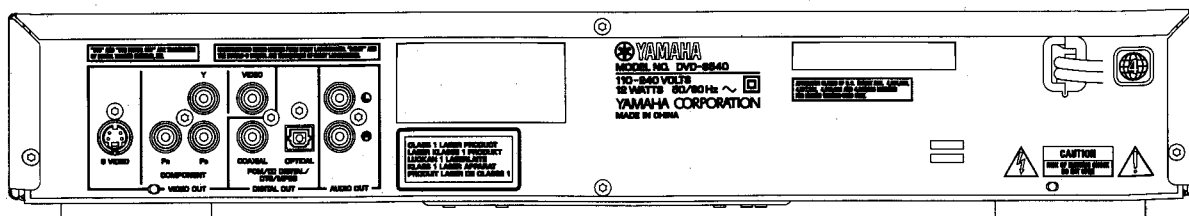
▼ DVD-S540 (A model)



▼ DVD-S540 (G, B models)



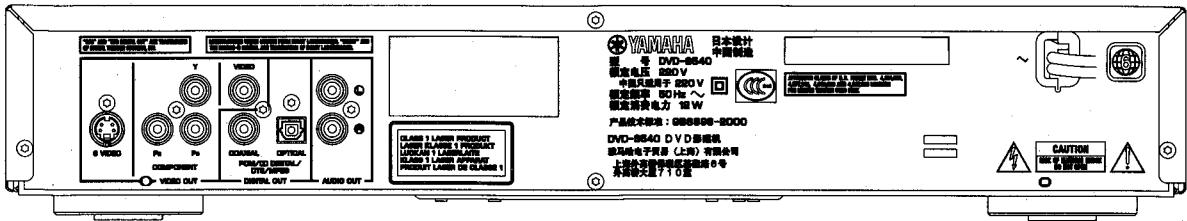
▼ DVD-S540 (P model)



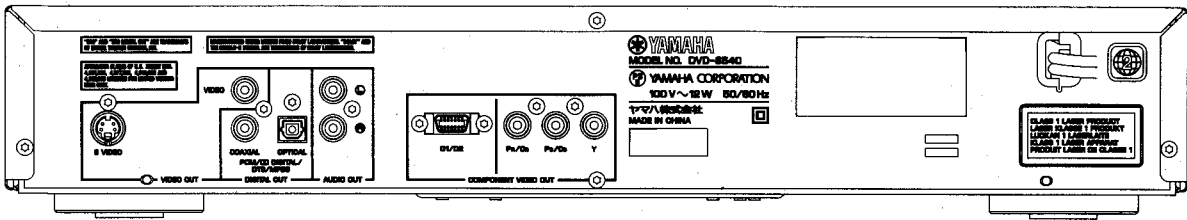
DVD-S540
DV-S5650

DVD-S540/DV-S5650

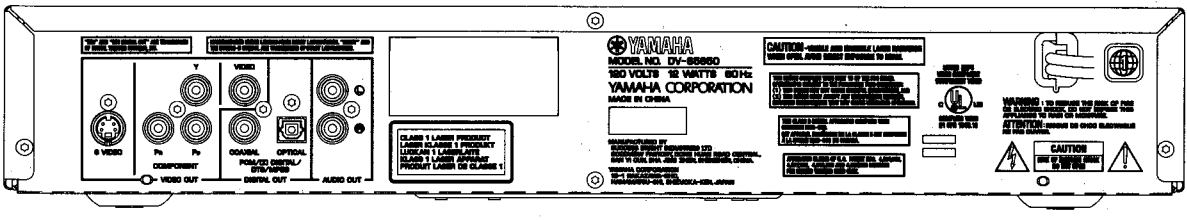
▼ DVD-S540 (T model)



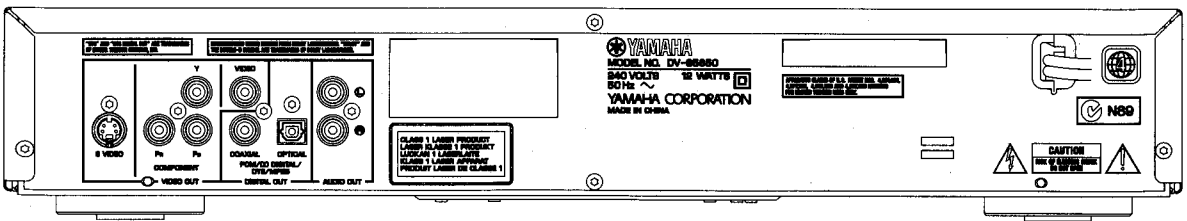
▼ DVD-S540 (J model)



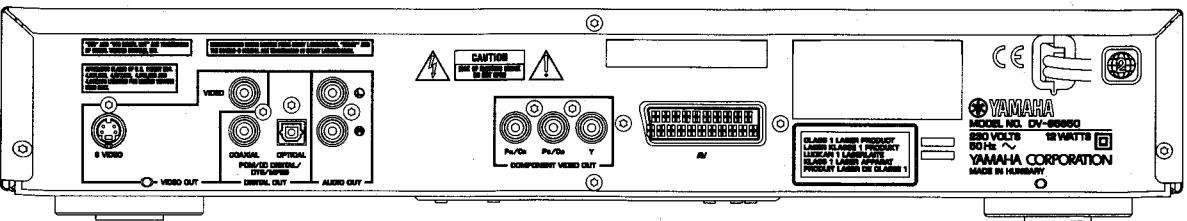
▼ DV-S5650 (U, C models)



▼ DV-S5650 (A model)



▼ DV-S5650 (G model)



DVD-S540
DV-S5650

■ SPECIFICATIONS / 参考仕様

PLAYBACK SYSTEM / 対応ディスク

DVD Video
Video CD & SVCD
CD
PICTURE CD
CD-R, CD-RW
DVD+R, DVD+RW
DVD-R, DVD-RW

VIDEO PERFORMANCE / ビデオ部

Video (CVBS) Output 1 Vpp into 75 ohm
S-Video Output Y: 1Vpp into 75 ohm
C: 0.3Vpp into 75 ohm
Component Video Output Y: 1Vpp into 75 ohm
Pb/Cb Pr/Cr: 0.7Vpp into 75 ohm
RGB (SCART) Output 0.7 Vpp into 75 ohm
Black Level Shift On/Off
Video Shift Left/Right

AUDIO FORMAT / オーディオフォーマット

Digital Mpeg/AC-3/DTS Compressed Digital
PCM 16, 20, 24 bits
fs, 44.1, 48, 96 kHz
MP3(ISO 9660) 24, 32, 56, 64, 96, 128, 256 kbps
fs 16, 22.05, 24, 32, 44.1, 48kHz

Analog Sound Stereo

AUDIO PERFORMANCE / オーディオ特性

DA Converter 24 bits
Signal-Noise (1kHz) 105 dB
Dynamic Range (1kHz) 100 dB
DVD fs 96 kHz 2 Hz - 44 kHz
fs 48 kHz 2 Hz - 22 kHz
SVCD fs 48 kHz 2 Hz - 22 kHz
fs 44.1 kHz 2 Hz - 20 kHz
CD/VCD fs 44.1 kHz 2 Hz - 20 kHz
Distortion and Noise (1kHz) 0.003%

TV STANDARD (PAL/50Hz) (NTSC/60Hz)

Number of lines 625 525
Playback Multistandard (PAL/NTSC)

CONNECTIONS / 接続端子

Y Output Cinch (green)
Pb/Cb Output Cinch (blue)
Pr/Cr Output Cinch (red)
SCART Euroconnector (B, G models)
D Terminal (J model)
S-Video Output Mini-DIN, 4 pins
Video Output Cinch
Audio Output (L+R) Cinch
Digital Output 1 coaxial, 1 optical
IEC958 for CDDA / LPCM/
MPEG1
IEC1937 for MPEG 2, Dolby
Digital and DTS

GENERAL / 一般

Dimensions (w x h x d)
U, C models 435 x 75 x 302 mm
(17-1/8" x 2-15/16" x 11-7/8")
R, T, K, A, B, G, P, J models 435 x 78 x 302 mm
(17-1/8" x 3-1/16" x 11-7/8")
Weight Approx. 2.8 Kg (6 lbs 3 oz)
Finish DVD-S540 Gold (R, T, K, J models)
Black (U, C, A, B, G, P models)
Silver (C, R, T, B, G, P, J models)
Titanium (G model)
DV-S5650 Black (U, C, G models)
Silver (U, A, G models)
Power Supply 120V, 60Hz (U, C models)
230V, 50Hz (B, G models)
240V, 50Hz (A model)
110-240V, 50/60Hz (R, P, K models)
220V, 50Hz (T model)
100V, 50/60Hz (J model)
Power Consumption 12W
Standby Power Consumption (reference data) 1W

ACCESSORIES / 付属品

Remote Control, Batteries
Audio/Video Cable (U, C, R, T, K, A, P, J models)
Audio Pin Cable (B, G models)
Video Cable (B, G models)

* Specifications subject to change without prior notice.

U USA model R General model
C Canadian model T Chinese model
A Australian model K Korean model
B British model P South America model
G European model J Japanese model

Manufactured under license from Dolby Laboratories.
"Dolby" and the double-D symbol are trademarks of Dolby Laboratories.
ドルビーラボラトリーズからの実施権により製造されています。
「ドルビー」及びダブルD記号は、ドルビーラボラトリーズの商標です。

"DTS" and "DTS Digital Out" are trademarks of Digital Theater Systems, Inc.
DTS および DTS Digital Out はデジタルシアターシステムズの登録商標です。

This product incorporates copyright protection technology that is protected by method claims of certain U.S. patents and other intellectual property rights owned by Macrovision Corporation and other rights owners. Use of this copyright protection technology must be authorized by Macrovision Corporation, and is intended for home and other limited viewing uses only unless otherwise authorized by Macrovision Corporation. Reverse engineering or disassembly is prohibited.

■ SERVICE HINTS / サービスヒント

1 Repair tips

1) Power Supply Unit

The power supply unit has to be replaced in case of failure.

2) DVD Mechanism

The DVD mechanism is a non-repairable unit and in case of failure, it has to be replaced with a complete DVD mechanism.

3) MONO Board

We do not supply the board for exchange. The board has to be repaired down to component level in case of failure.

2 Troubleshooting

In this paragraph some troubleshooting tips are given to diagnose the DVD player. Use MAINTENANCE FLOW CHART for trouble shooting. The diagnostic software is not available in the player.

1 修理についての助言

1) 電源ユニット

故障の場合は、電源ユニットを交換してください。

2) DVD メカ

DVD メカは、修理不可能なユニットなので、故障の場合は、DVD メカ全体を交換してください。

3) MONO ボード

交換用ボードは供給できません。故障の場合は、部品レベルで修理してください。

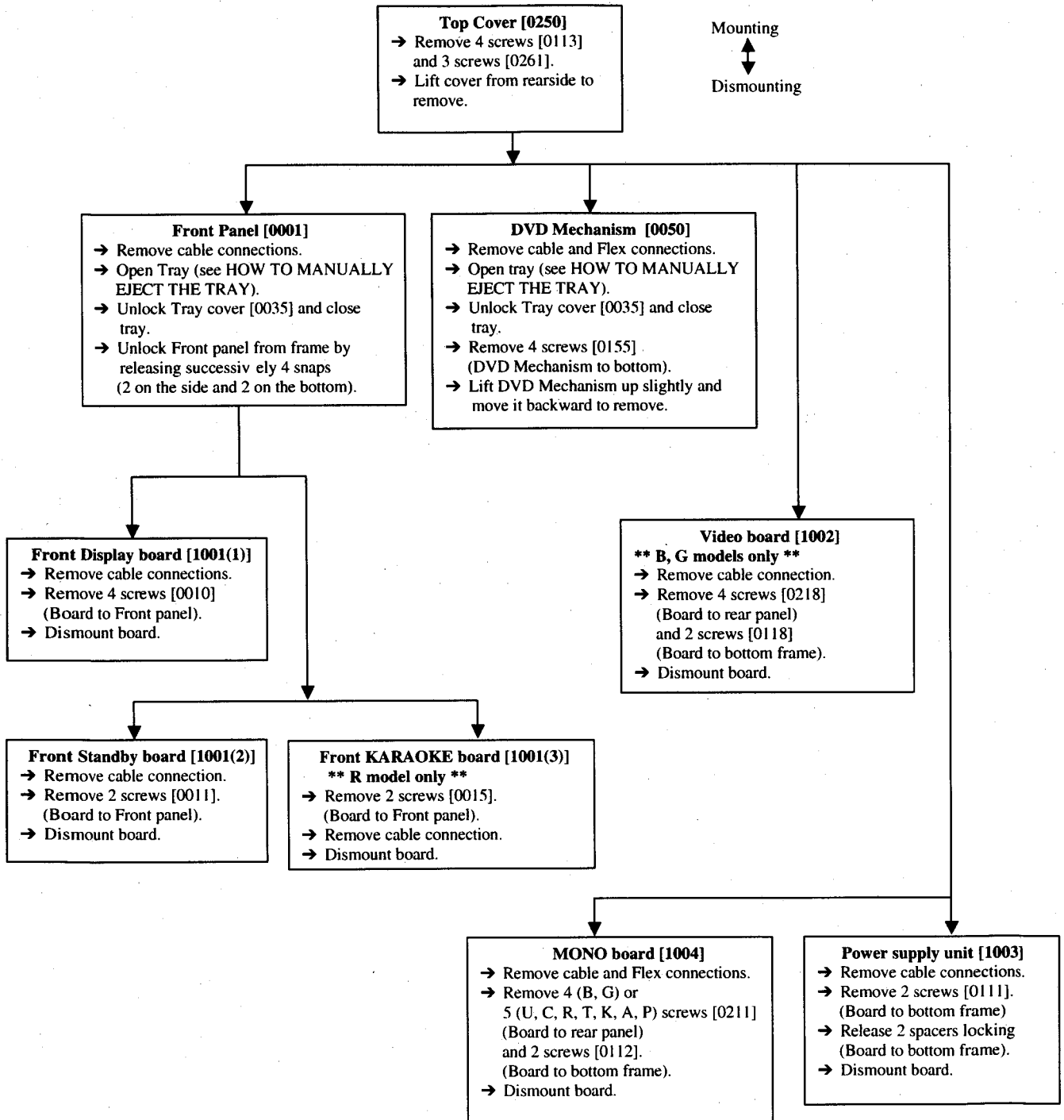
2 トラブルシューティング

トラブルシューティングには、メンテナンスフローチャートを活用してください。

故障診断ソフトウェアは内蔵されていません。

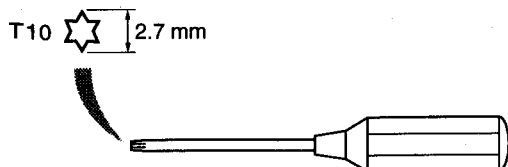
DISASSEMBLY PROCEDURES

See exploded view for item numbers.



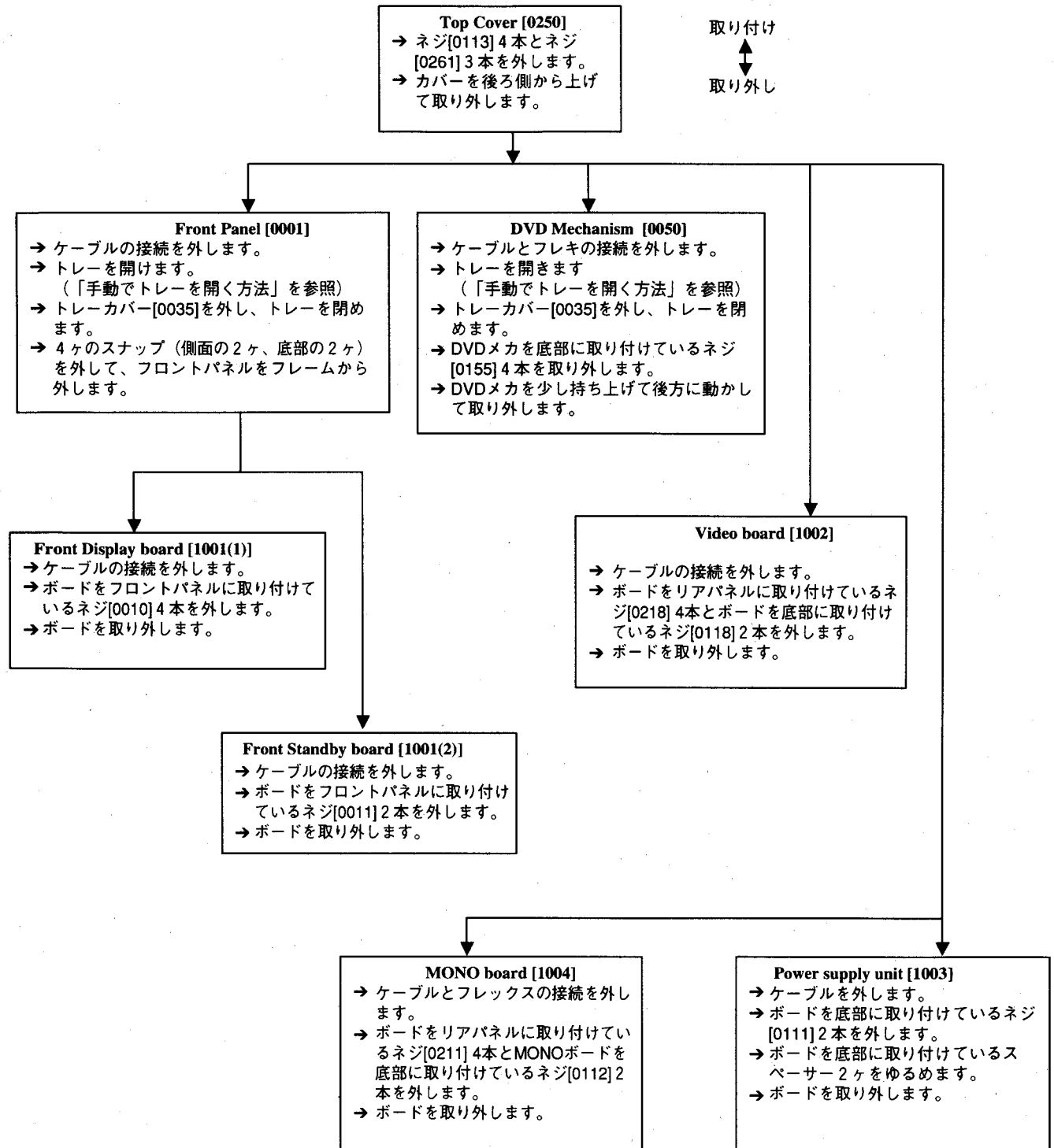
DVD-S540
DV-S5650

When disassembling, use the special screw driver with tip shape in figure.

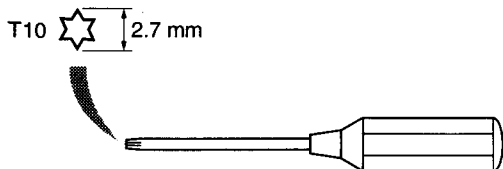


■ 分解手順

項目番号については分解図を参照してください。



分解には図のような特殊ドライバーを使用します。

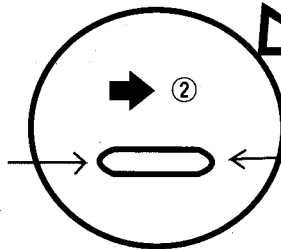
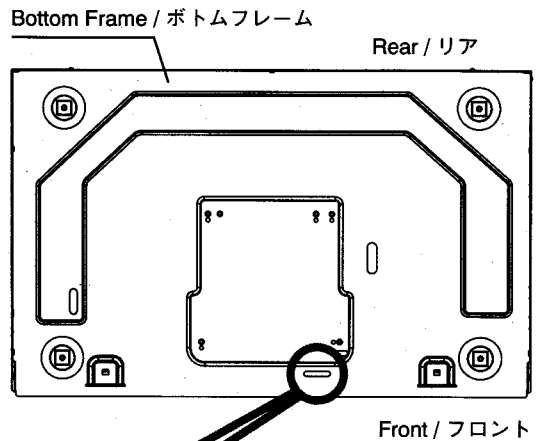
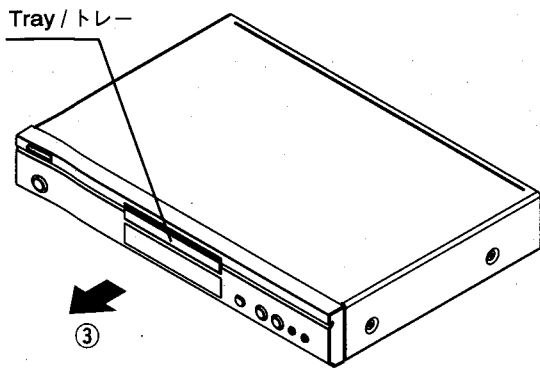


HOW TO MANUALLY EJECT THE TRAY

- a. Turn the player bottom up.
- b. Move the slider in the direction indicated with a screw driver until the tray is ejected.
- c. Gently pull the tray out.

手動でトレーを開く方法

- a. 本体を上下反転します。
- b. トレーが出てくるまで、ドライバーでスライダを図に示す矢印の方向に動かします。
- c. トレーをそっと引き出します。



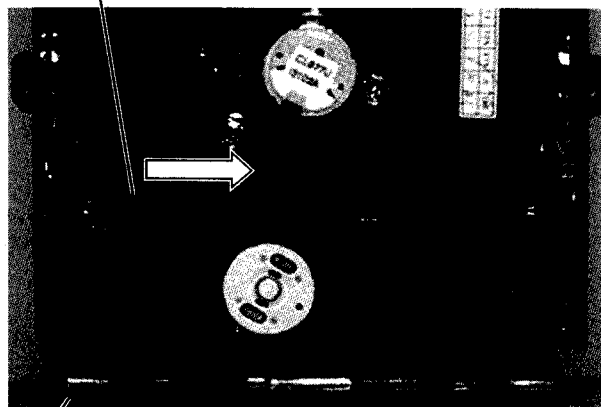
Note)
As this hole is not provided in the products during initial production, open the tray using the following procedure.

- a. Remove the DVD mechanism from the main unit.
- b. Turn it upside down and move the slider in the direction indicated.
- c. Gently pull the tray out.

注)
生産初期の製品はこの孔がないので、下記の方法でトレーを開けてください。

- a. DVDメカを本体から外します。
- b. 上下反転します。
スライダを矢印の方向に動かします。
- c. トレーをそっと引き出します。

Slider / スライダー

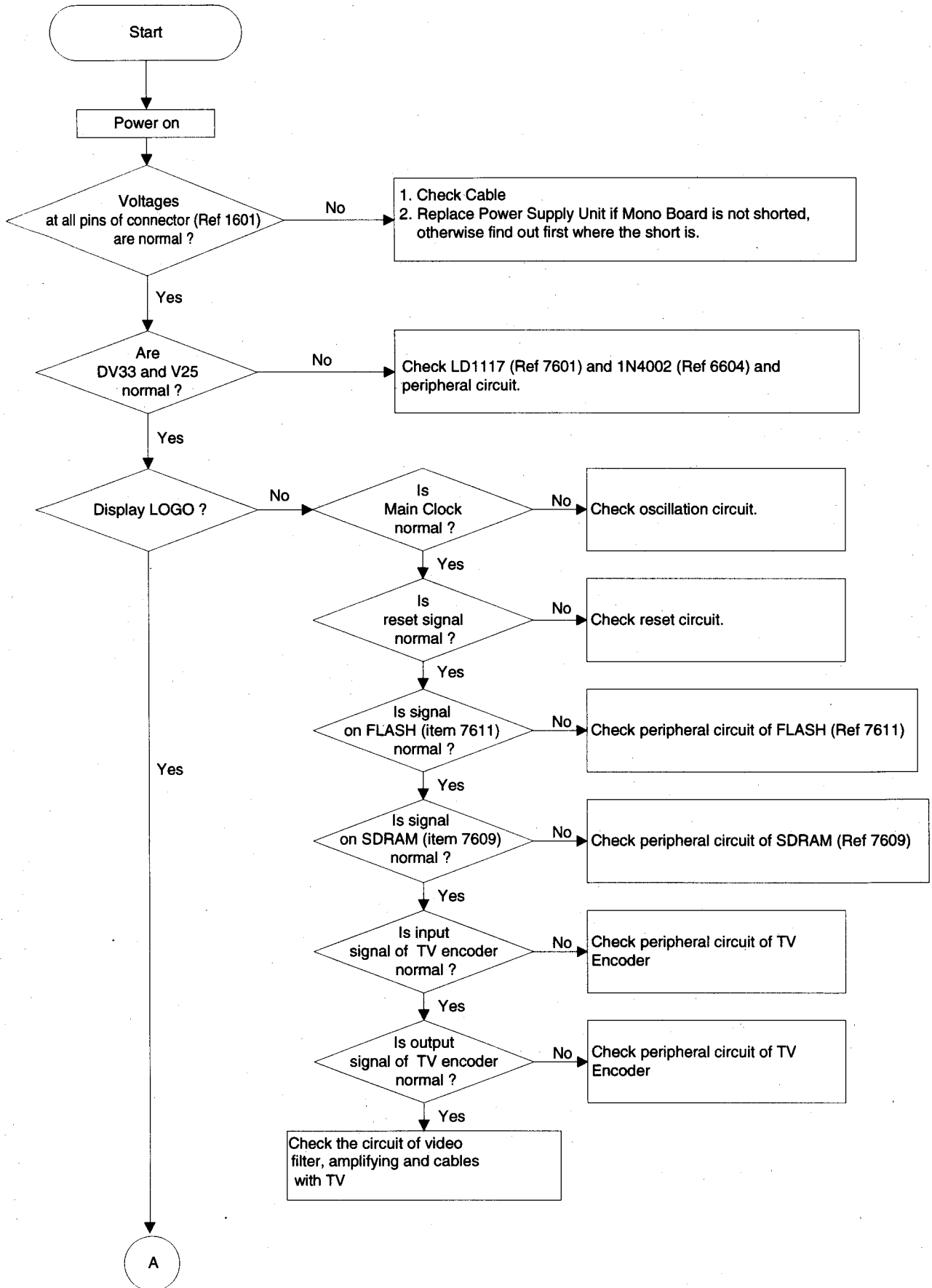


Tray / トレー

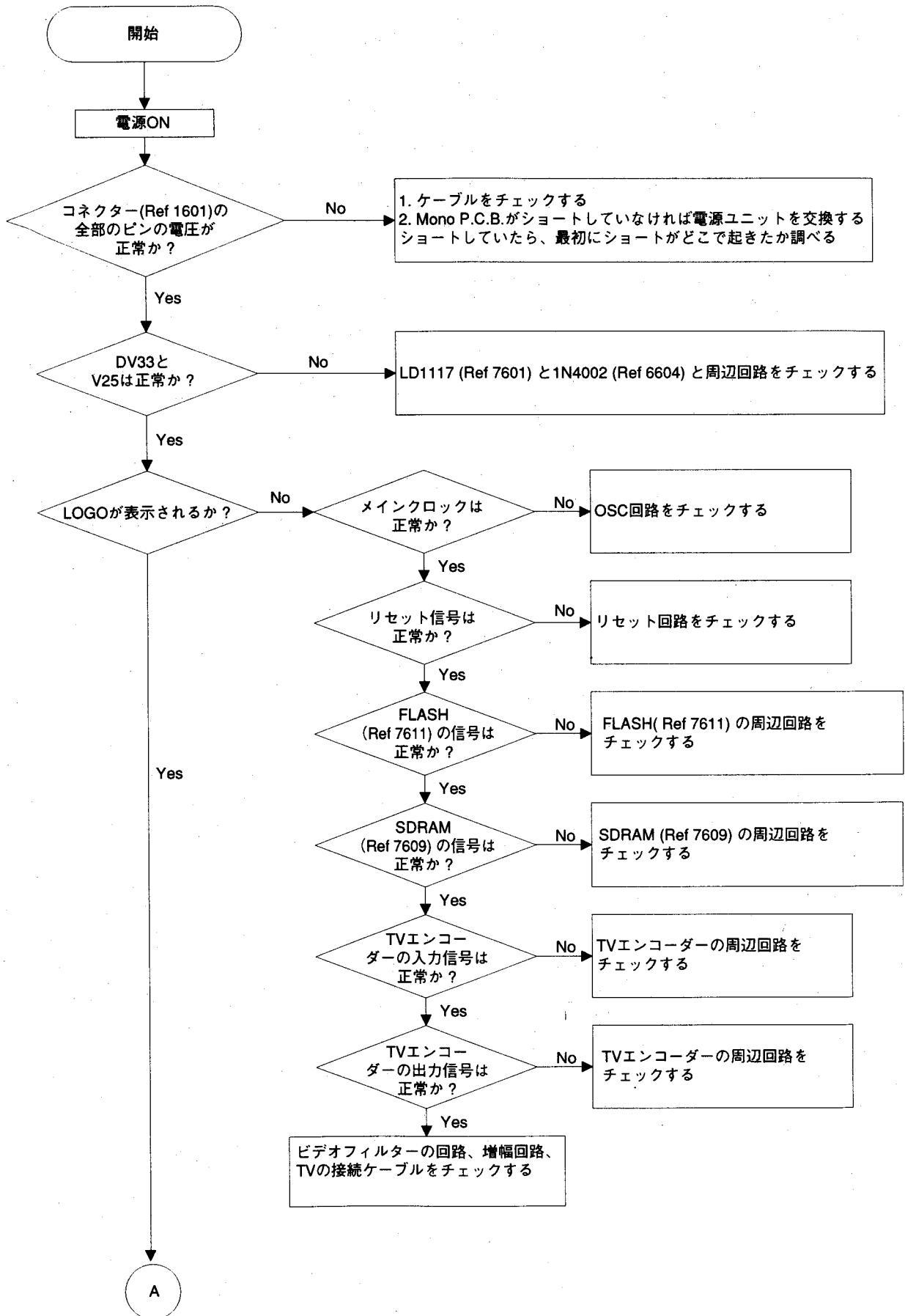
DVD-S540
DV-S5650

MAINTENANCE FLOW CHART

DVD-S540
DV-S5650

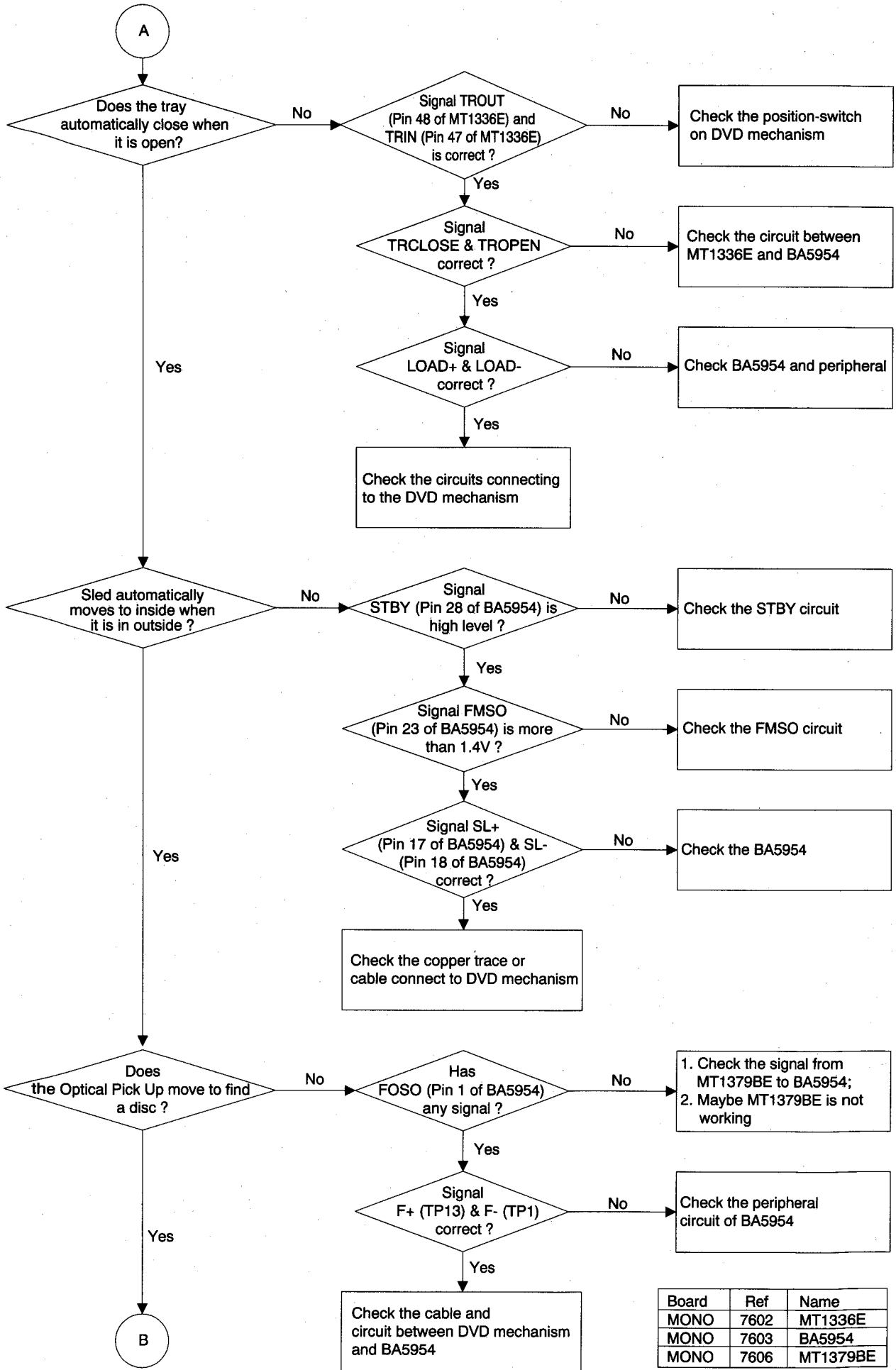


■ メンテナンスフローチャート

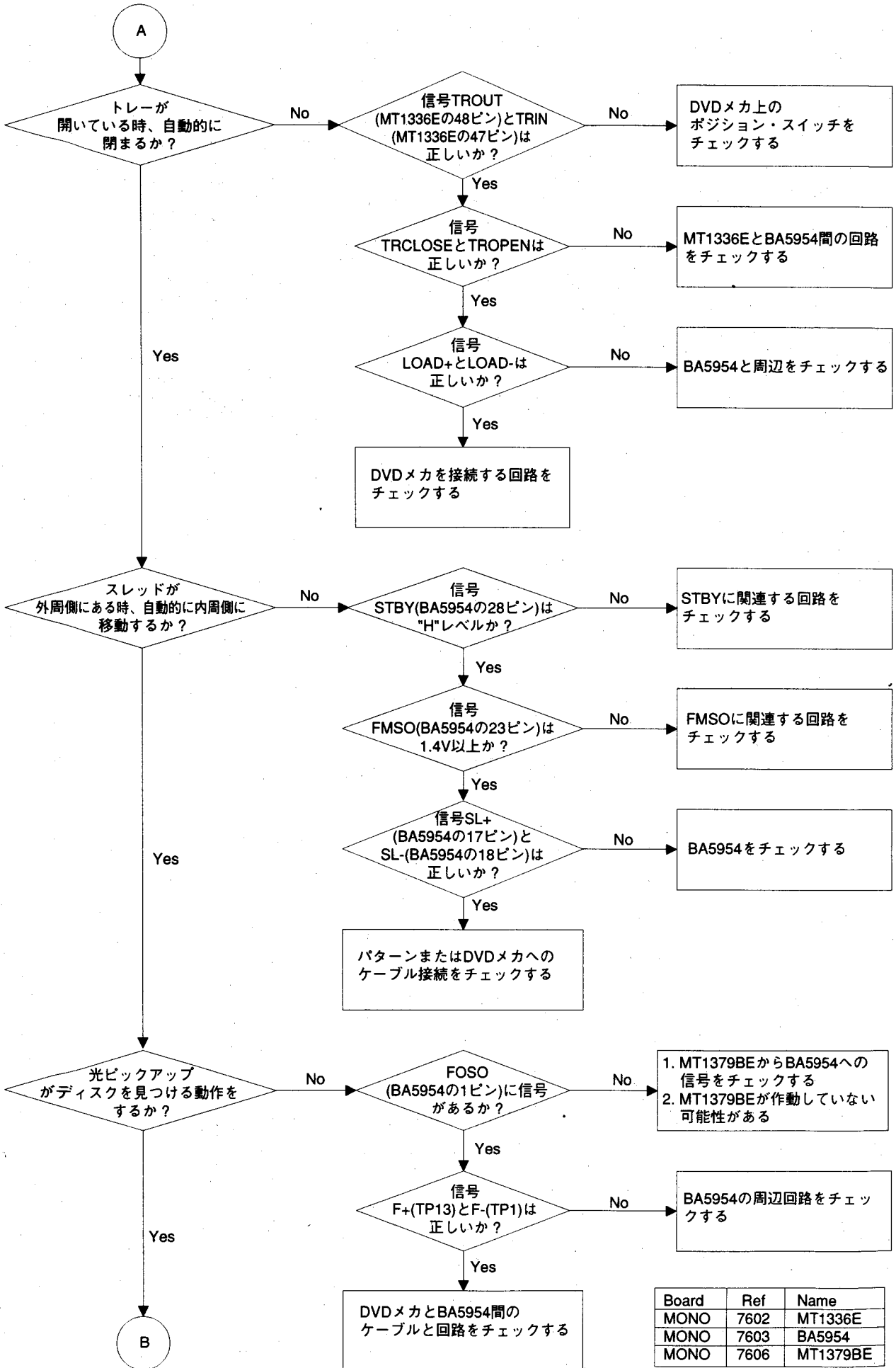


DVD-S540
DV-S5650

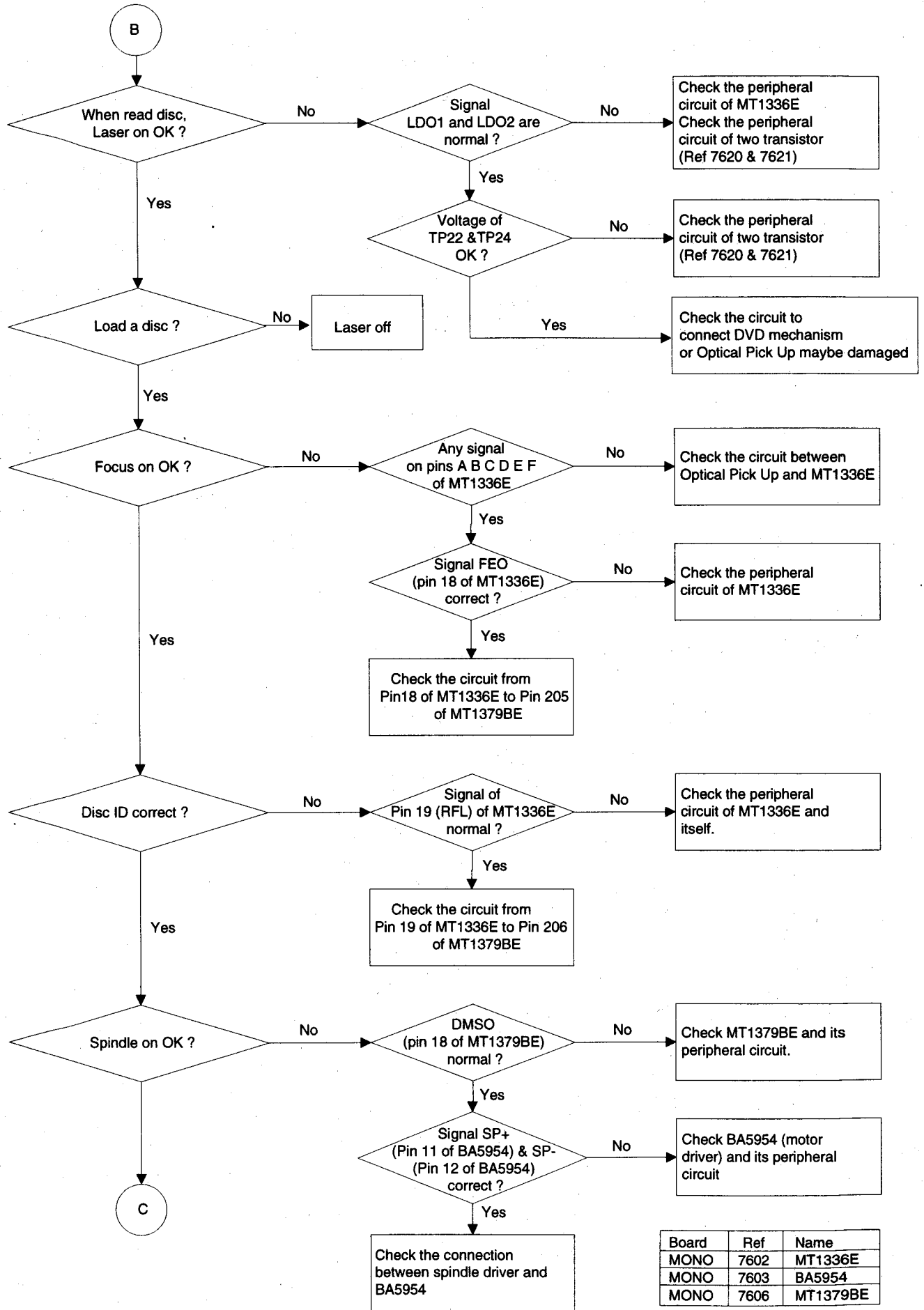
DVD-S540
DV-S5650



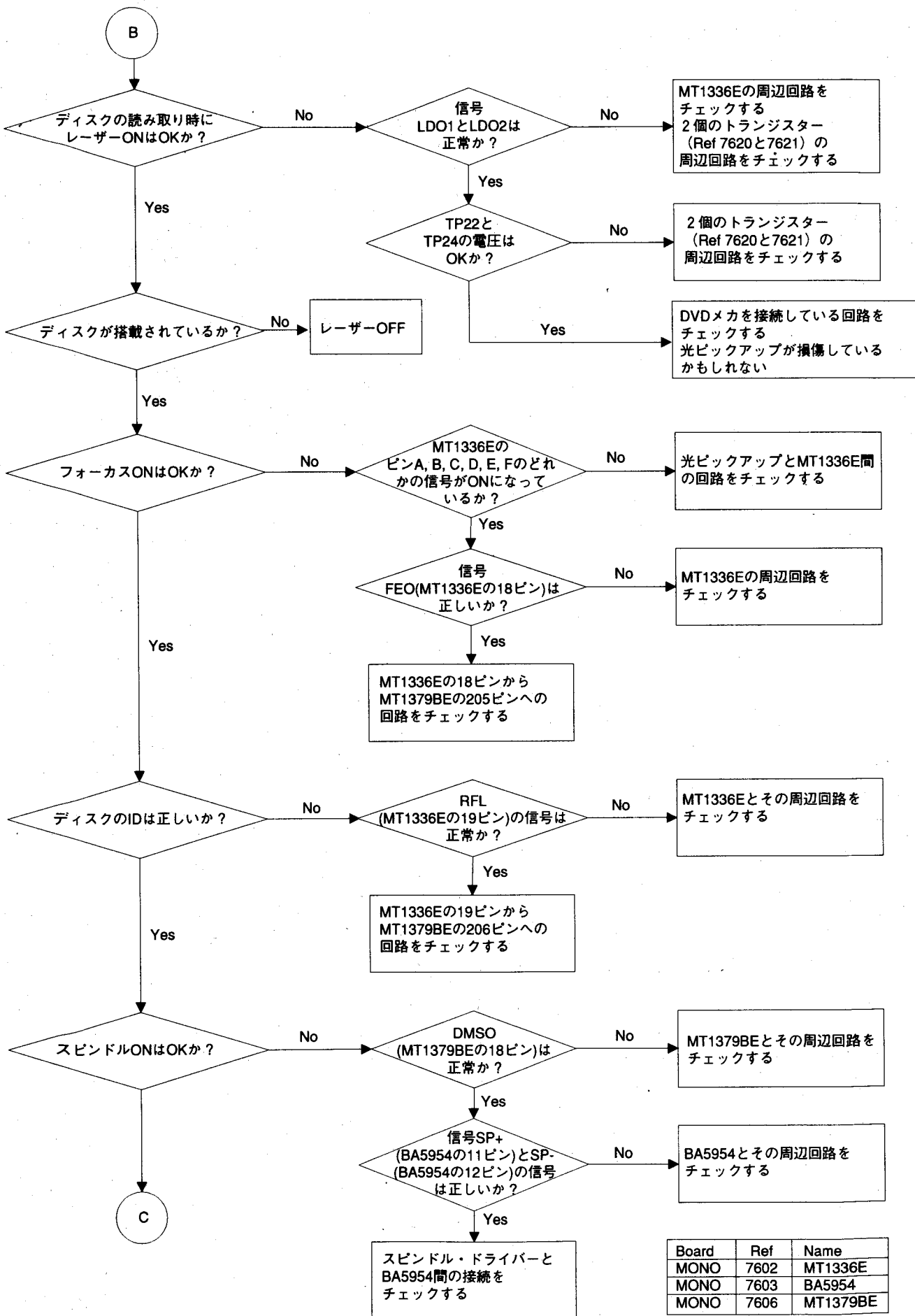
Board	Ref	Name
MONO	7602	MT1336E
MONO	7603	BA5954
MONO	7606	MT1379BE



Board	Ref	Name
MONO	7602	MT1336E
MONO	7603	BA5954
MONO	7606	MT1379BE



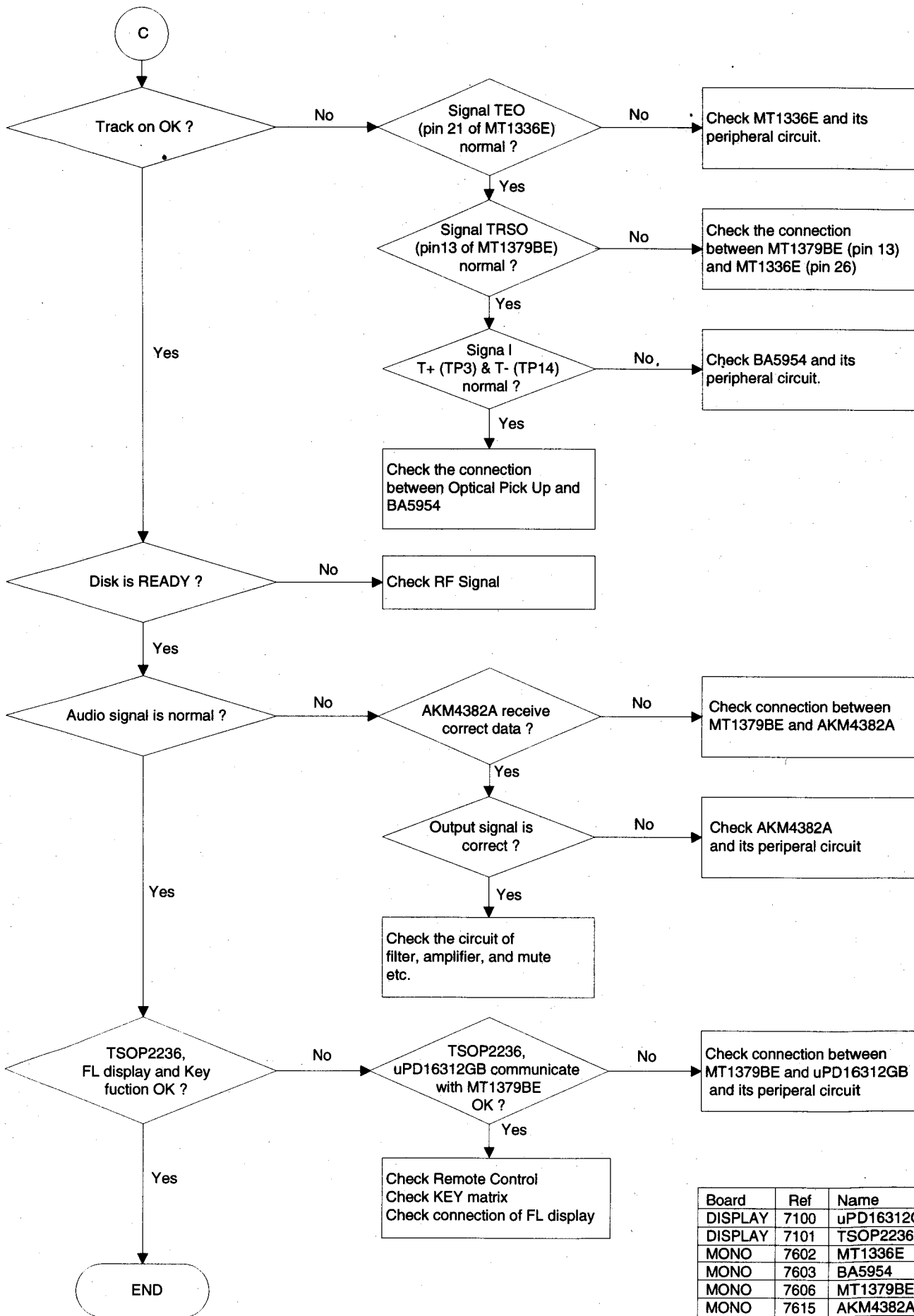
Board	Ref	Name
MONO	7602	MT1336E
MONO	7603	BA5954
MONO	7606	MT1379BE



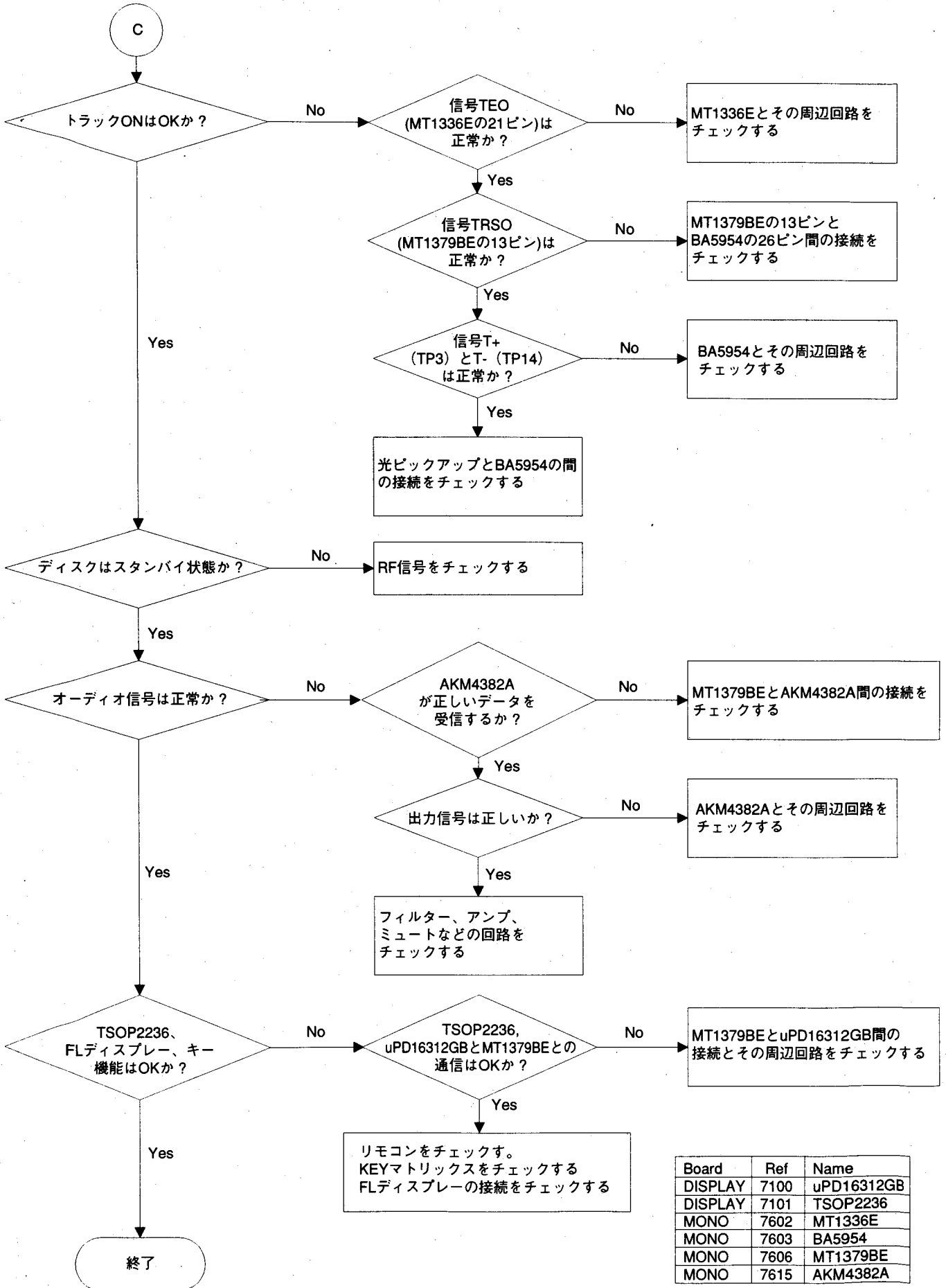
DVD-S540
DV-S5650

Board	Ref	Name
MONO	7602	MT1336E
MONO	7603	BA5954
MONO	7606	MT1379BE

DVD-S540
DV-S5650



Board	Ref	Name
DISPLAY	7100	uPD16312GB
DISPLAY	7101	TSOP2236
MONO	7602	MT1336E
MONO	7603	BA5954
MONO	7606	MT1379BE
MONO	7615	AKM4382A



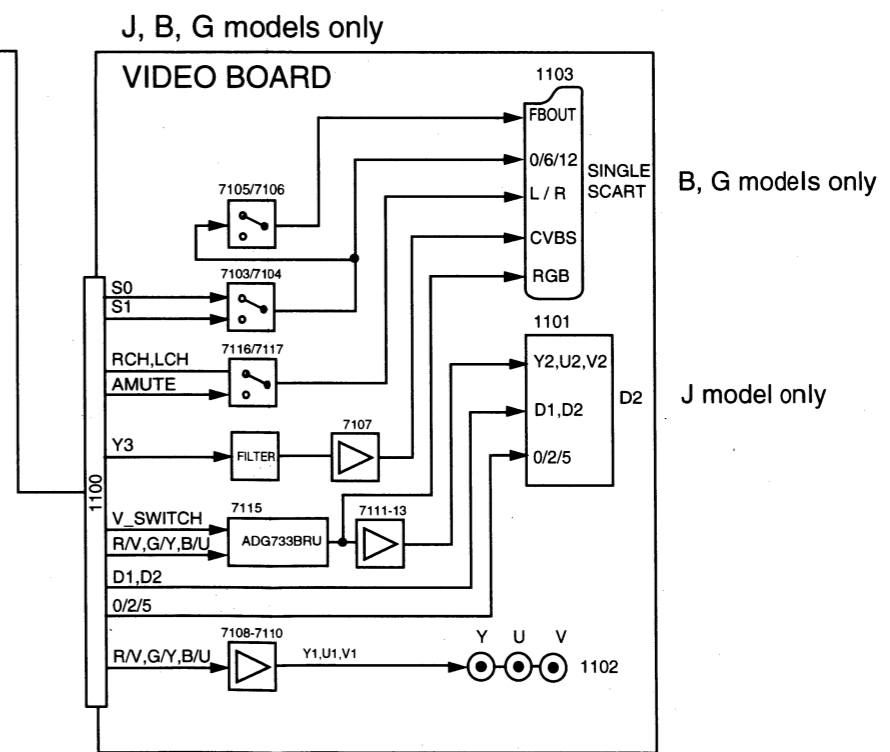
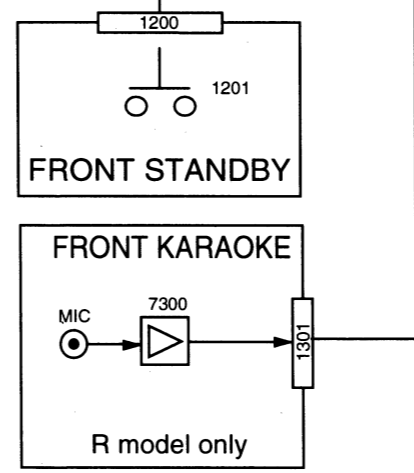
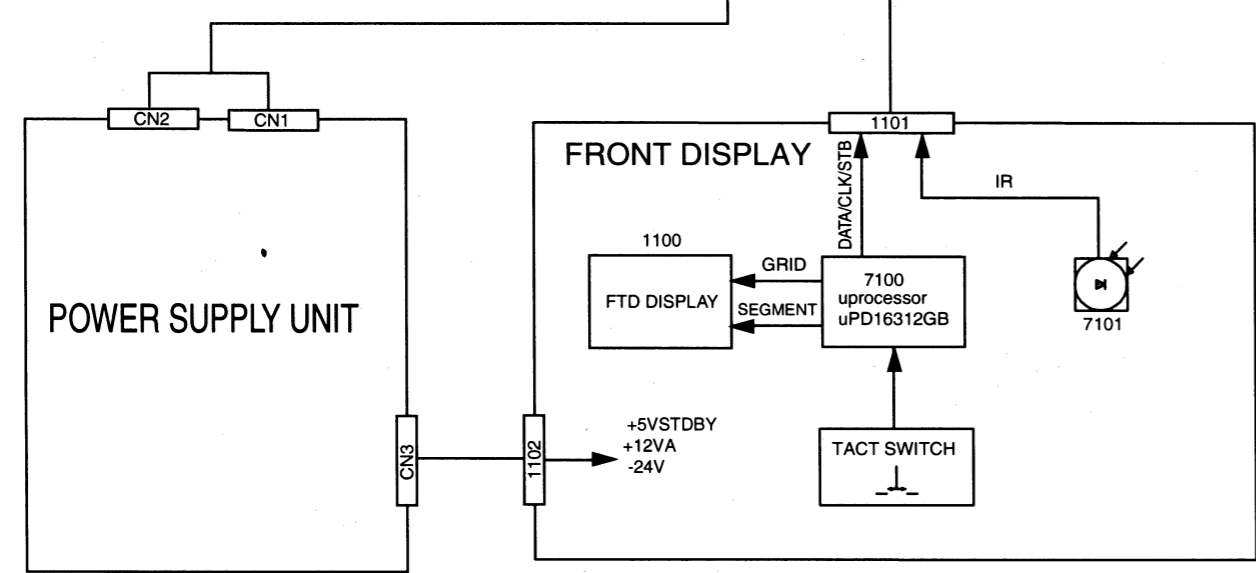
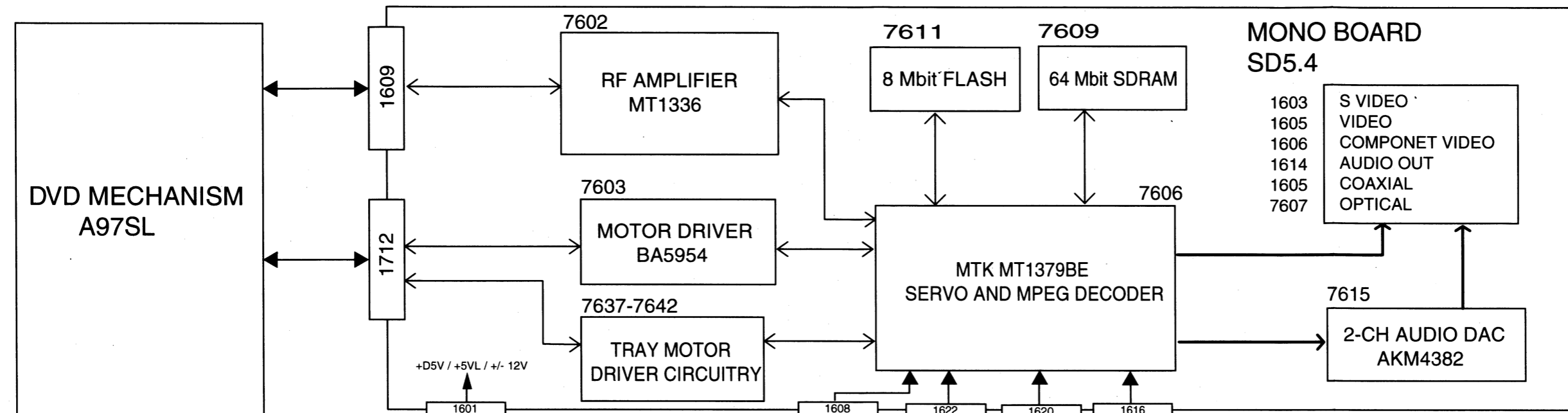
Board	Ref	Name
DISPLAY	7100	uPD16312GB
DISPLAY	7101	TSOP2236
MONO	7602	MT1336E
MONO	7603	BA5954
MONO	7606	MT1379BE
MONO	7615	AKM4382A

MEMO

DVD-S540
DV-S5650

A large, empty rectangular box with a thin black border, occupying most of the page. It is intended for writing a memo.

■ BLOCK DIAGRAM



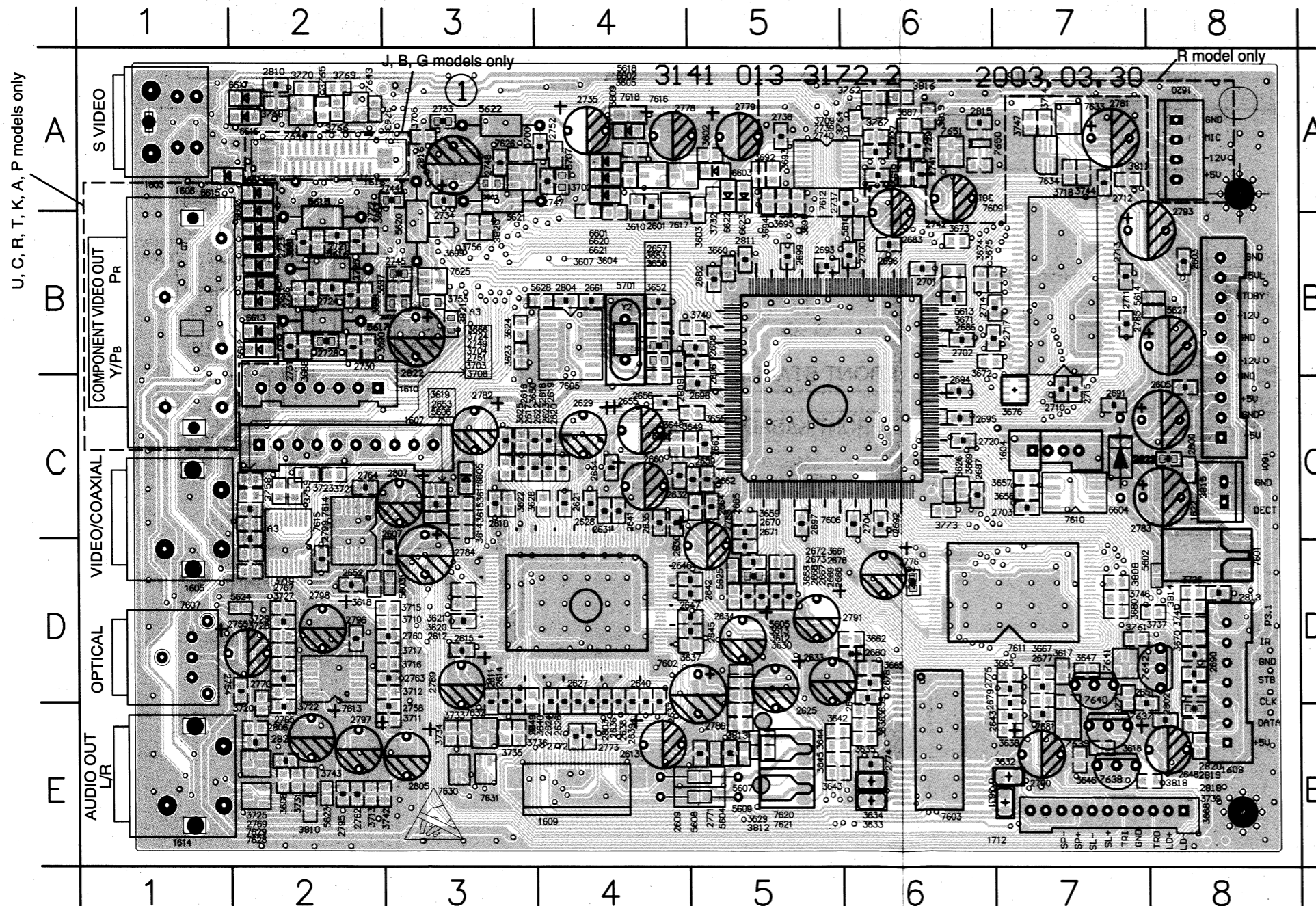
PRINTED CIRCUIT BOARD

SD5.4 MONO Board-Top View

The first digit of a component indicates the component type.

1xxx : Connector 3xxx : Resistor 5xxx : Coil 7xxx : IC, Transistor, FET
 2xxx : Capacitor 4xxx : SMD jumper 6xxx : Diode 9xxx : Wire jumper

1601 C8	2601 A4	2617 C3	2631 C4	2645 D5	2660 C4	2676 D5	2694 C6	2713 B7	2730 B2	2749 C2	2770 D2	2786 D5	2804 B4	3643 E5	3708 D2	3801 B3	6613 B2
1603 A1	2603 B8	2618 C3	2632 C4	2646 D5	2661 B4	2677 D7	2695 C6	2714 B7	2731 B2	2751 D2	2771 E5	2788 D4	2805 E3	3644 E5	3709 A6	3802 A3	6614 A2
1604 C7	2605 C8	2619 C4	2633 D5	2647 D5	2662 C5	2678 D6	2696 B6	2715 C7	2734 A3	2752 A4	2772 E4	2789 D3	2806 E2	3645 E5	3710 D3	3808 D7	6615 A1
1605 C1	2606 B5	2620 C4	2634 D5	2648 E7	2663 C5	2679 E7	2697 C5	2717 B6	2735 A4	2753 A3	2773 E4	2790 E7	2807 C3	3646 E7	3711 E3	3809 B4	6616 A2
1606 B1	2607 D3	2621 C4	2635 C4	2649 E3	2664 C5	2680 D6	2698 C5	2720 C6	2737 A6	2754 D2	2774 E6	2791 D5	2809 B4	3647 D7	3712 D3	3810 E2	6617 A2
1607 C2	2608 B5	2622 C3	2636 E4	2651 E7	2665 C5	2681 E7	2699 B5	2721 B2	2738 A5	2755 D1	2775 D7	2793 B7	2810 A2	3648 C4	3713 E2	3811 A7	6620 A4
1608 E8	2609 E5	2623 C4	2637 E4	2652 D2	2666 D5	2682 B5	2700 B6	2722 B2	2739 A6	2758 E3	2776 D6	2795 E2	2811 B5	3649 C5	3714 A7	3812 E5	6621 A4
1609 E4	2610 C3	2624 E4	2638 E4	2653 C3	2667 D5	2683 B6	2701 B6	2723 B2	2740 A6	2760 D3	2778 A4	2796 D2	2812 D6	3650 C3	3715 D3	3813 E5	6622 A5
1610 C2	2611 E3	2625 D5	2639 E4	2654 C4	2668 D5	2686 B6	2702 B6	2724 B2	2741 A6	2762 E2	2779 A5	2797 E2	2813 D8	3651 B4	3716 D3	3814 D8	6623 A5
1614 E1	2612 D3	2626 E4	2640 E4	2655 C4	2669 D5	2687 C6	2703 C7	2725 B2	2742 A6	2763 D3	2781 A7	2798 D2	2815 A6	3652 C4	3717 D3	3815 C8	7601 D8
1616 A2	2613 E4	2627 E4	2641 C4	2656 C4	2670 D5	2690 D8	2704 C6	2726 B2	2744 A3	2764 C2	2782 C3	2799 D2	2816 A3	3653 B4	3718 A7	3816 A6	7602 D4
1620 A8	2614 E3	2628 C4	2642 D5	2657 B4	2671 D5	2691 C7	2710 C7	2727 A6	2745 B3	2765 E2	2783 C7	2800 C7	2818 E8	3655 C5	3719 D2	3817 A6	7603 D6
1622 C8	2615 D3	2629 C4	2643 E7	2658 B4	2672 D5	2692 C6	2711 B7	2728 B2	2747 A4	2767 D2	2784 D3	2802 E8	2819 D8	3656 C7	3720 E2	3818 E7	7605 B4
1712 E8	2616 C3	2630 C4	2644 E6	2659 C5	2673 D5	2693 B5	2712 A7	2729 A6	2748 A3	2769 E2	2785 B8	2803 E4	2820 D8	3657 C7	3721 C2	3819 A6	7606 C5



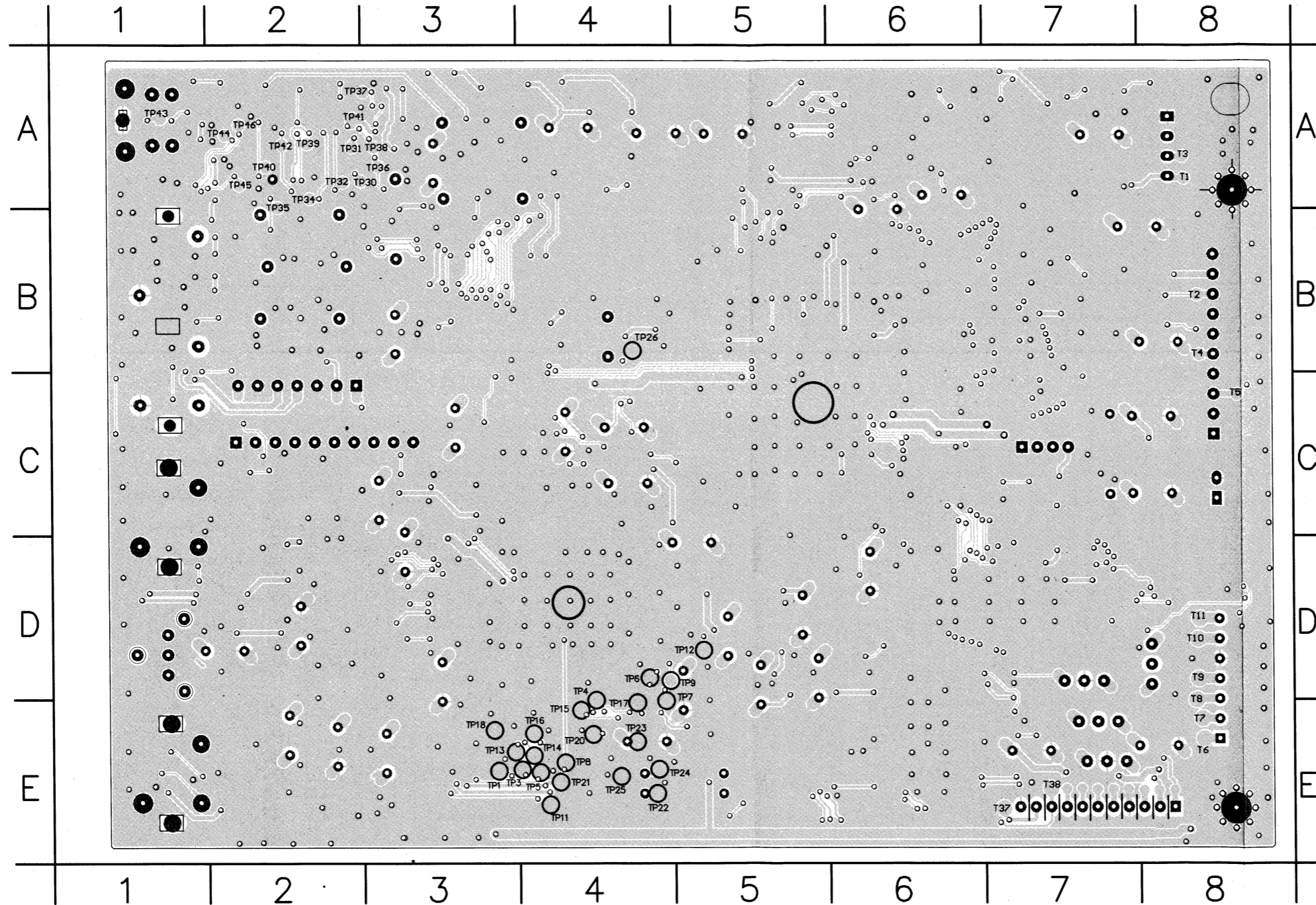
2821 E2	3658 D5	3722 D2	3820 B3	7607 D1
2822 B3	3659 C5	3723 C2	3821 B3	7609 B7
2823 C8	3660 B5	3724 C2	5602 D8	7610 C7
3602 A5	3661 D5	3725 E2	5603 D3	7611 D7
3603 B5	3662 D6	3726 D8	5604 E5	7612 A5
3604 B4	3663 D7	3727 D2	5605 D5	7613 E2
3605 A4	3664 E7	3728 D2	5606 C3	7614 C2
3607 B4	3665 D6	3729 D2	5607 E5	7615 C2
3608 E2	3666 C2	3731 E2	5608 E5	7616 A5
3609 A4	3667 D7	3732 A5	5609 E5	7617 A4
3610 A4	3668 E8	3733 E3	5610 B6	7618 A4
3611 C3	3669 C6	3734 E3	5613 B6	7620 E5
3612 E5	3670 D8	3735 E3	5614 B8	7621 E5
3613 D5	3671 B6	3736 E3	5615 B2	7625 B3
3614 D3	3672 B6	3737 D8	5616 B2	7626 A3
3615 C3	3673 B6	3739 E8	5617 B2	7628 E2
3616 E7	3674 B6	3740 B5	5618 A4	7629 E2
3617 D7	3675 B7	3741 D8	5619 A6	7630 E3
3618 D2	3676 C7	3742 E2	5620 B3	7631 E3
3619 C3	3680 D7	3743 E2	5621 A3	7632 E3
3620 D3	3681 B2	3744 A7	5622 A3	7633 A7
3621 D3	3683 B2	3746 D7	5623 E2	7634 A7
3622 C3	3684 B2	3747 A7	5624 D2	7637 E7
3623 B3	3686 B2	3755 B3	5625 D5	7638 E7
3624 B3	3687 A6	3756 B3	5626 C6	7639 E7
3625 C3	3688 B2	3758 C2	5627 B8	7640 D7
3626 C4	3690 B2	3759 C2	5628 B4	7641 D7
3629 E5	3692 A5	3760 E7	5701 B4	7642 D8
3630 E5	3693 A5	3761 D7	6601 A4	7643 A2
3631 E7	3694 A5	3762 A6	6602 A4	7644 A2
3632 E7	3695 A5	3763 A2	6603 A5	7650 A6
3633 E6	3696 A5	3764 A6	6604 C7	7651 A6
3634 E6	3697 B3	3765 A2	6605 C3	
3635 E6	3699 B3	3766 A2	6606 B2	
3636 E6	3700 A3	3767 A6	6607 B2	
3637 D5	3702 A4	3768 A2	6608 B2	
3638 E7	3703 D2	3769 A2	6609 B2	
3639 E6	3704 C2	3770 A2	6610 B2	
3640 E3	3705 A3	3771 E7	6611 B2	
3642 E5	3707 A4	3773 C6	6612 B2	

PRINTED CIRCUIT BOARD

SD5.4 MONO Board-Bottom View

The first digit of a component indicates the component type.

1xxx : Connector 3xxx : Resistor 5xxx : Coil 7xxx : IC, Transistor, FET
 2xxx : Capacitor 4xxx : SMD jumper 6xxx : Diode 9xxx : Wire jumper



TP1 E3	TP41 A2
TP3 E4	TP42 A2
TP4 E4	TP43 A1
TP5 E4	TP44 A2
TP6 D4	TP45 A2
TP7 E4	TP46 A2
TP8 E4	T1 A8
TP9 D4	T2 B8
TP11 E4	T3 A8
TP12 D5	T4 B8
TP13 E3	T5 C8
TP14 E4	T6 E8
TP15 E4	T7 E8
TP16 E4	T8 E8
TP17 E4	T9 D8
TP18 E3	T10 D8
TP20 E4	T11 D8
TP21 E4	T37 E7
TP22 E4	T38 E7
TP23 E4	
TP24 E4	
TP25 E4	
TP26 B4	
TP27 E5	
TP28 E5	
TP30 A3	
TP31 A2	
TP32 A2	
TP34 A2	
TP35 B2	
TP36 A3	
TP37 A3	
TP38 A3	
TP39 A2	
TP40 A2	

PRINTED CIRCUIT BOARD

The first digit of a component indicates the component type.
 1xxx : Connector 3xxx : Resistor 5xxx : Coil 7xxx : IC, Transistor, FET
 2xxx : Capacitor 4xxx : SMD jumper 6xxx : Diode 9xxx : Wire jumper

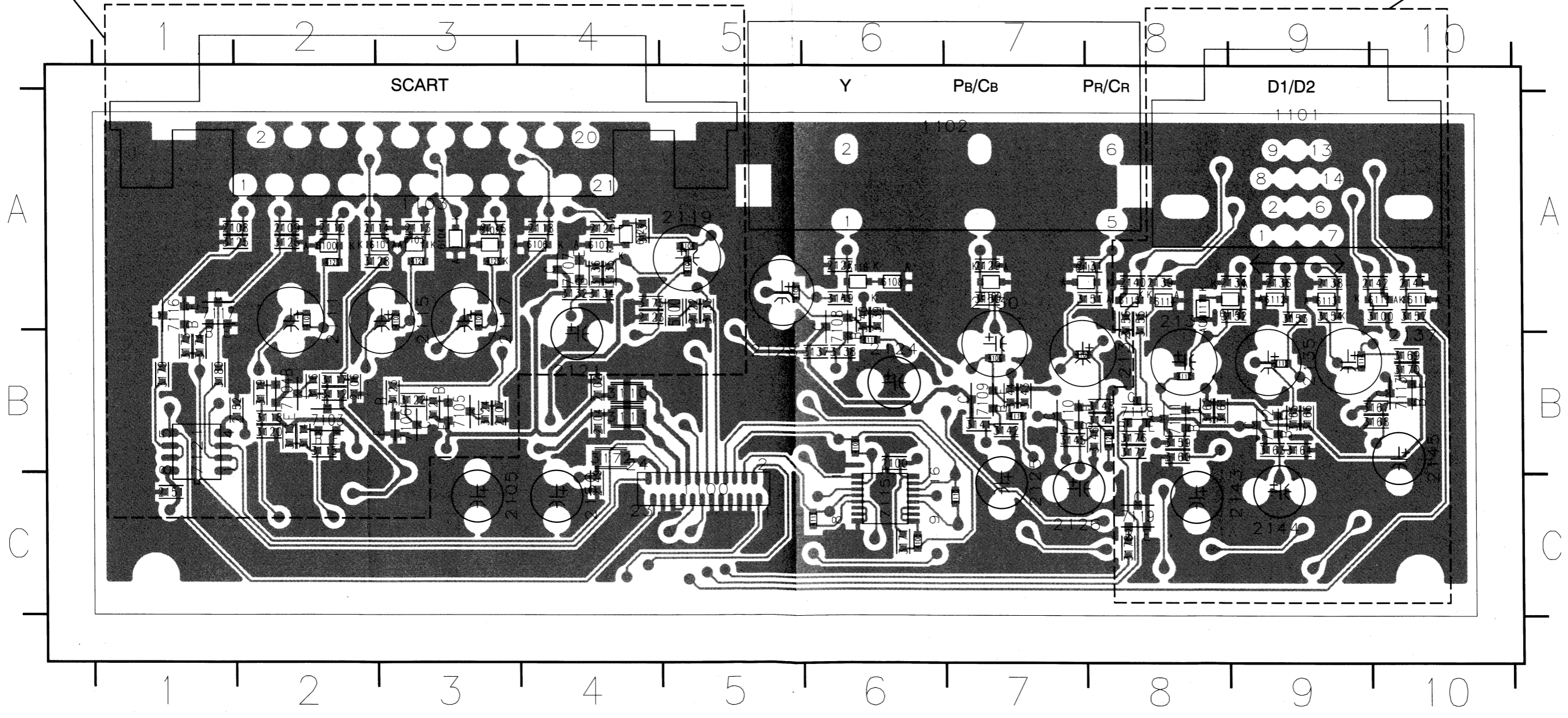
J, B, G models only

VIDEO Board-Top View

11100 C5	21117 A3	21135 B9	31112 B2	31133 A5	31151 A8	31170 B10	41107 B7	61104 A3	71104 B2
11101 A9	21118 A4	21133 B9	31113 B2	31134 A4	31152 A9	31171 C6	41108 A5	61105 A3	71105 B3
11102 A6	21119 A5	21137 B10	31114 B2	31135 A4	31153 A9	31172 B4	41109 B6	61106 A4	71106 B3
11103 A3	21120 A4	21138 A8	31115 B2	31136 A4	31154 A9	31173 B4	41110 B6	61107 A4	71107 A4
21100 B6	21121 B4	21139 A8	31116 B2	31137 B6	31155 A8	31174 B1	41111 C6	61108 A6	71108 A6
21102 B4	21122 A5	21140 A8	31117 B2	31138 B6	31156 A8	31175 A4	41112 B8	61109 A7	71109 B7
21104 B4	21123 A4	21141 A10	31118 B2	31139 A6	31157 A10	31176 B8	41113 B8	61110 A7	71110 B7
21105 C3	21124 B6	21142 A10	31119 B2	31140 A6	31158 A8	31177 B8	41114 B8	61111 A8	71111 B8
21106 B2	21125 C7	21143 C9	31120 B2	31141 B7	31159 A8	31178 C8	41115 B8	61112 A9	71112 B9
21107 B3	21126 C7	21144 C9	31121 B2	31142 B7	31160 A8	31179 B8	41116 B8	61113 A9	71113 B10
21108 A2	21127 A6	21145 C9	31122 B3	31143 B7	31161 A8	41100 C6	41117 B8	61114 A8	71114 C6
21109 A2	21128 B5	21146 C9	31123 B3	31144 B7	31162 A8	41101 A2	41118 B8	61115 A8	71115 A1
21110 A2	21129 A7	21147 C9	31124 B3	31145 B7	31163 A8	41102 A3	41119 B8	61116 A10	71116 B1
21111 A2	21130 A7	21148 C9	31125 A2	31146 B8	31164 A8	41103 A3	41120 B8	61117 A10	71117 A1
21113 A3	21131 A8	21149 C9	31126 A2	31147 B8	31165 A8	41104 A5	41121 B8	61118 A6	71118 B8
21114 A2	21132 B8	21150 C9	31127 A2	31148 B8	31166 A8	41105 A5	41122 B8	61119 A9	71119 C8
21115 A3	21133 A8	31110 B4	31128 A4	31149 B8	31167 B10	41106 B7	41123 B8	61120 A4	71120 B1
21116 A3	21134 A9	31111 B4	31129 A4	31150 A7	31168 B10		41124 A3	61121 A4	

B, G models only

J model only

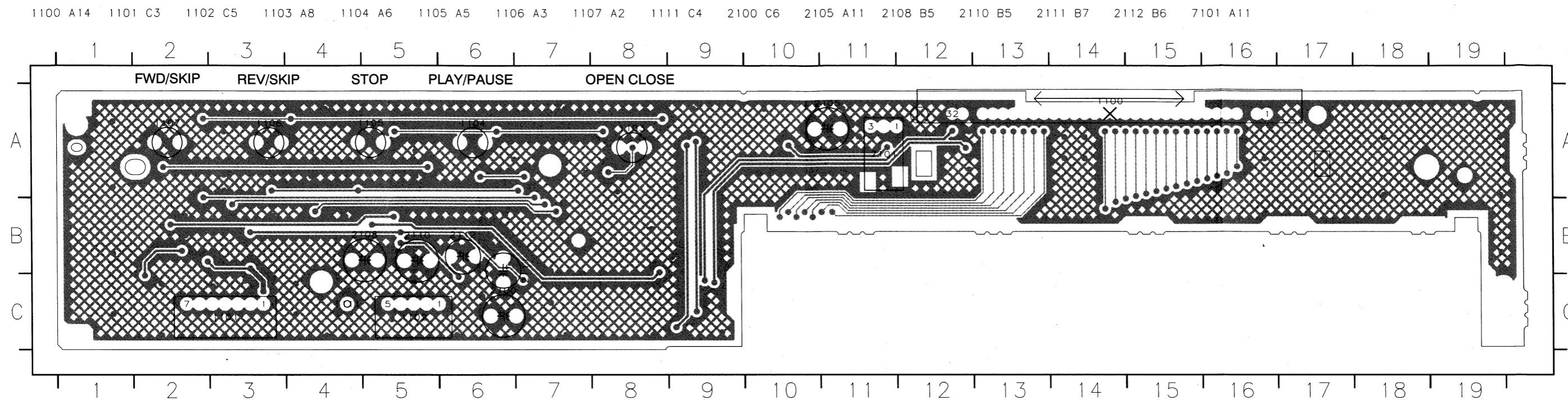


■ PRINTED CIRCUIT BOARD

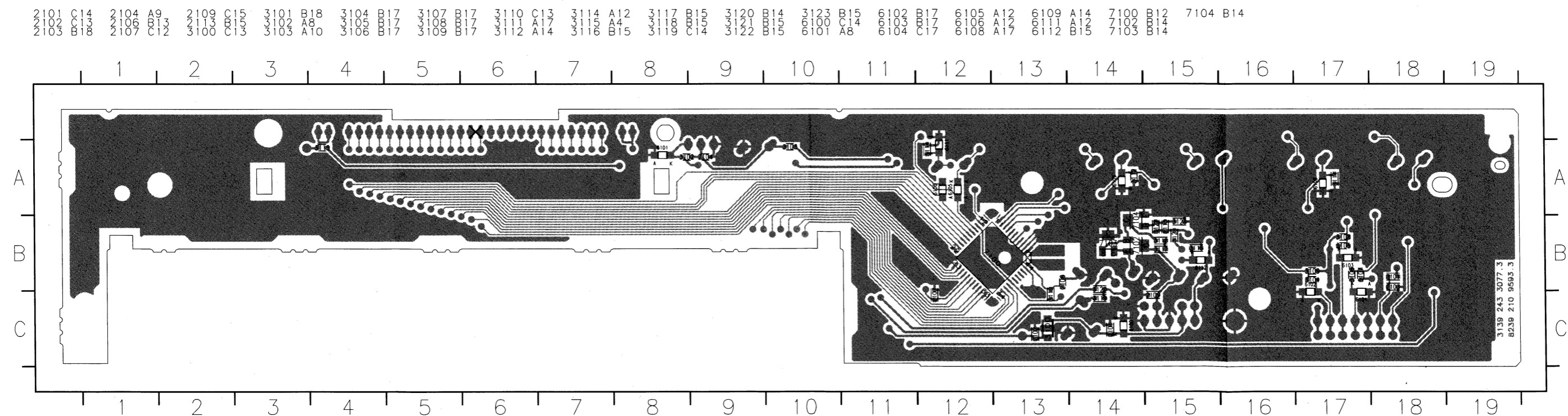
The first digit of a component indicates the component type.

- | | | | |
|------------------|-------------------|--------------|----------------------------|
| 1xxx : Connector | 3xxx : Resistor | 5xxx : Coil | 7xxx : IC, Transistor, FET |
| 2xxx : Capacitor | 4xxx : SMD jumper | 6xxx : Diode | 9xxx : Wire jumper |

FRONT (1) Display Board-Top View



FRONT (1) Display Board-Bottom View

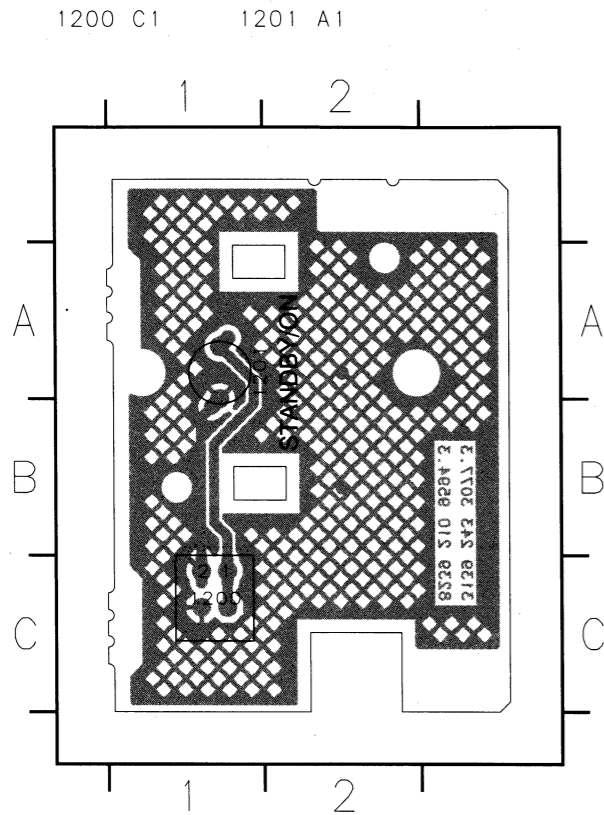


■ PRINTED CIRCUIT BOARD

The first digit of a component indicates the component type.

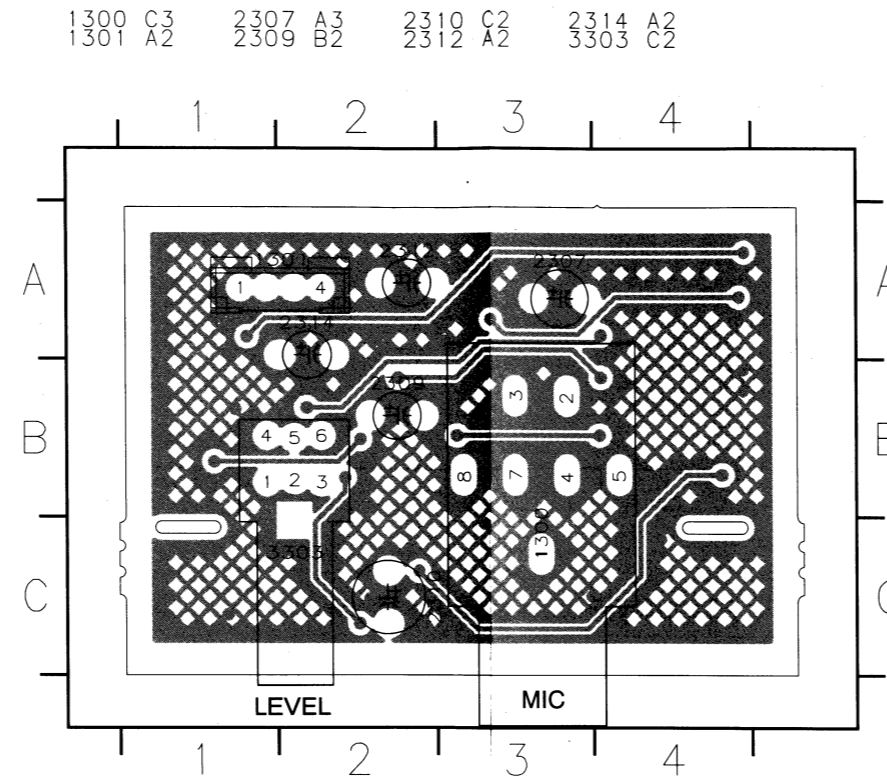
1xxx : Connector 3xxx : Resistor 5xxx : Coil 7xxx : IC, Transistor, FET
 2xxx : Capacitor 4xxx : SMD jumper 6xxx : Diode 9xxx : Wire jumper

FRONT (2) Standby Board-Top View



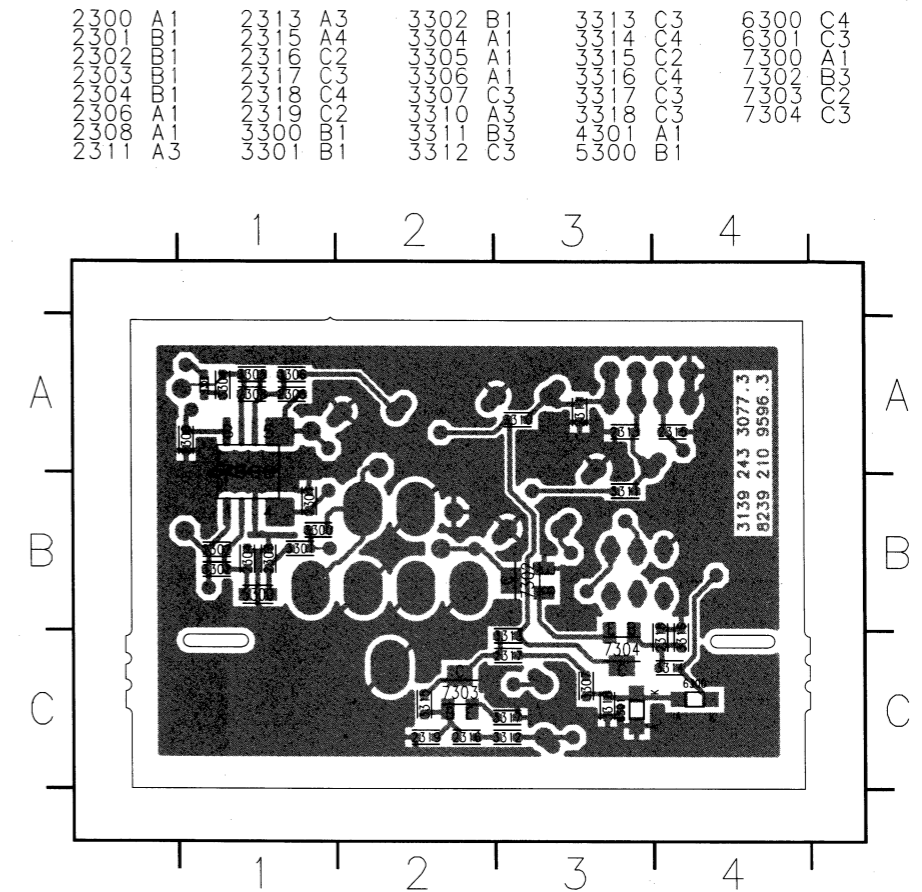
R model only

FRONT (3) KARAOKE Board-Top View



R model only

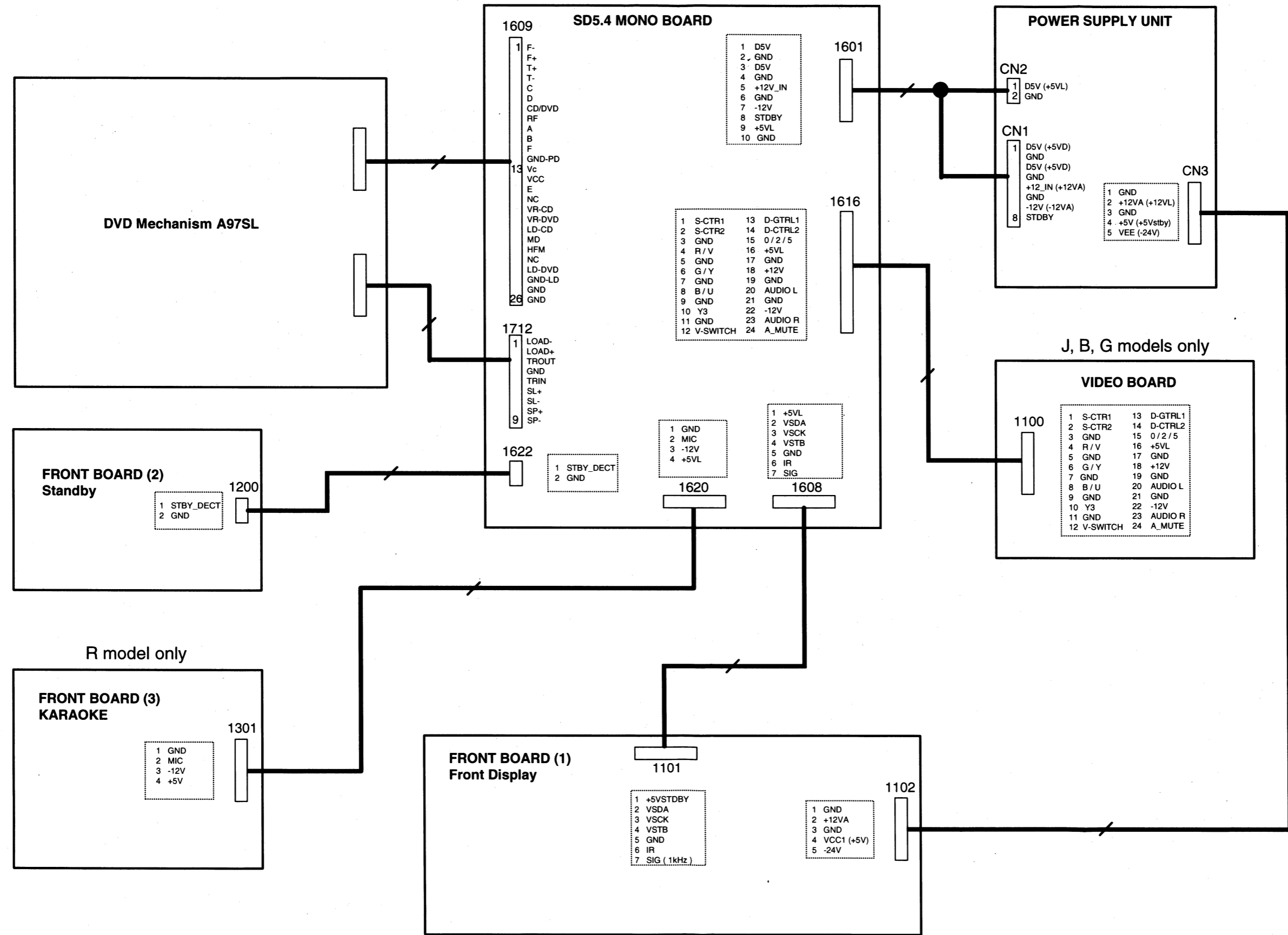
FRONT (3) KARAOKE Board-Bottom View



2300	A1	2313	A3	3302	B1	3313	C3	6300	C4
2301	B1	2315	A4	3304	A1	3314	C4	6301	C3
2302	B1	2316	C2	3305	A1	3315	C2	7300	A1
2303	B1	2317	C2	3306	A1	3316	C4	7302	B3
2304	B1	2318	C4	3307	C3	3317	C3	7303	C2
2306	A1	2319	C2	3310	A3	3318	C3	7304	C3
2308	A1	3300	B1	3311	B3	4301	A1		
2311	A3	3301	B1	3312	C3	5300	B1		

WIRING DIAGRAM

1
2
3
4
5
6



■ SCHEMATIC DIAGRAM

The first digit of a component indicates the component type.

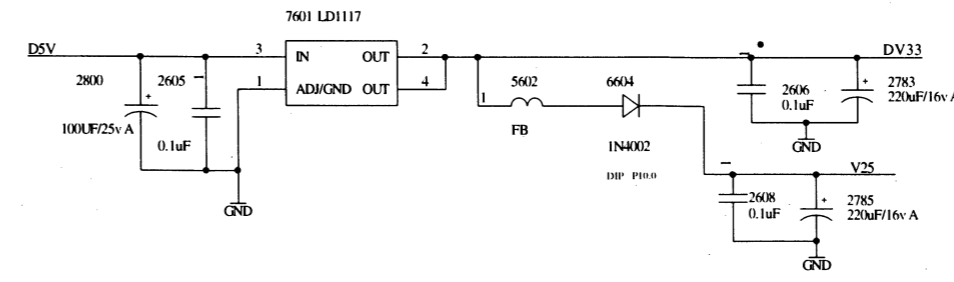
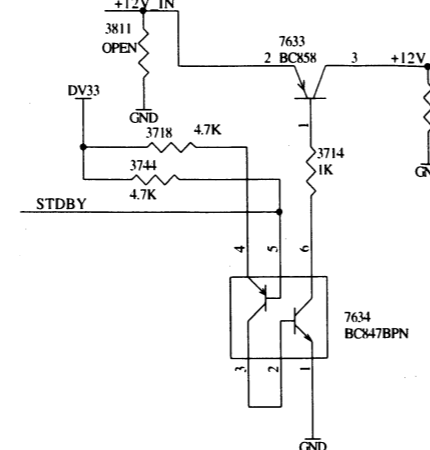
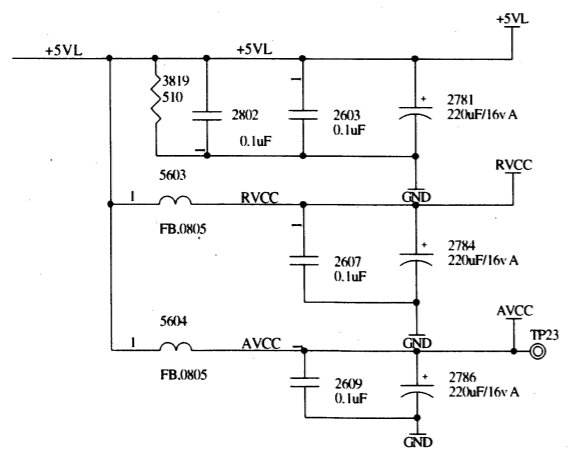
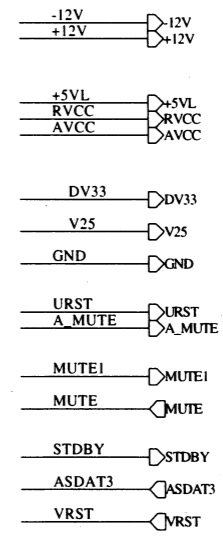
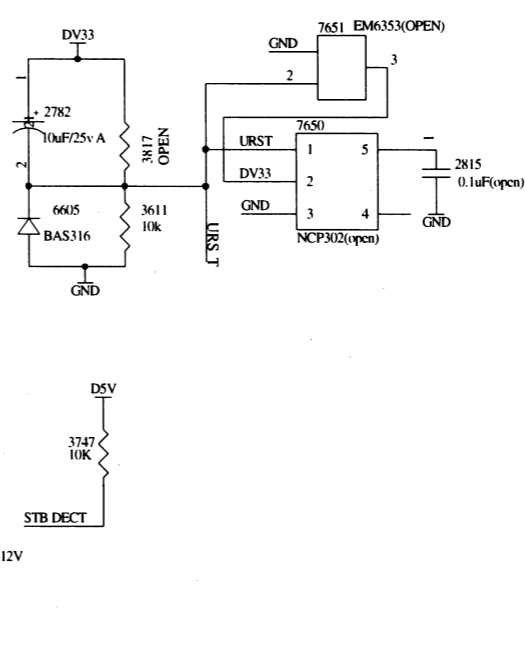
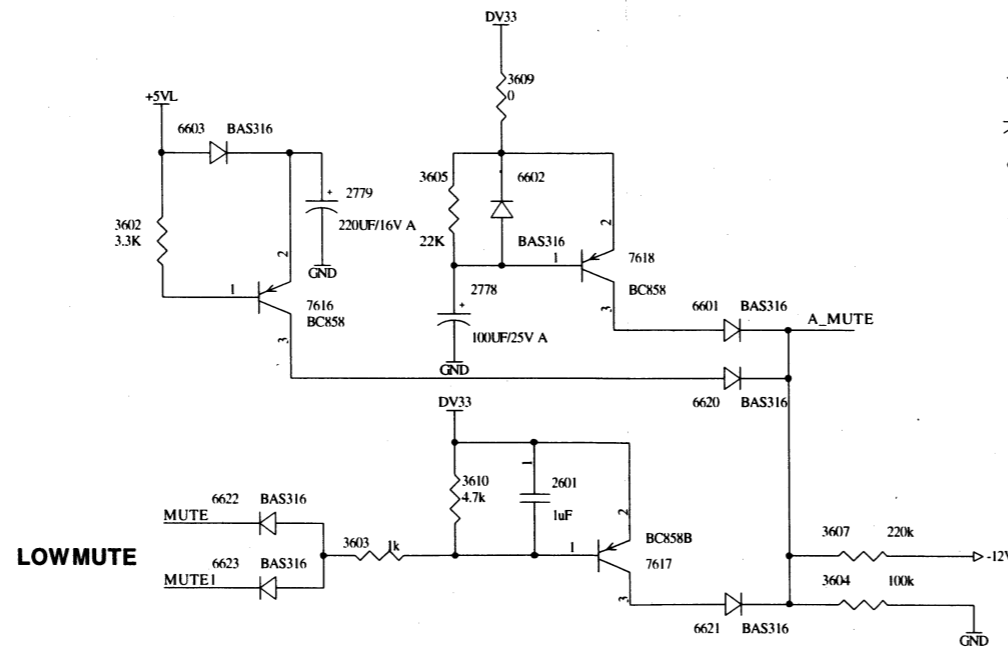
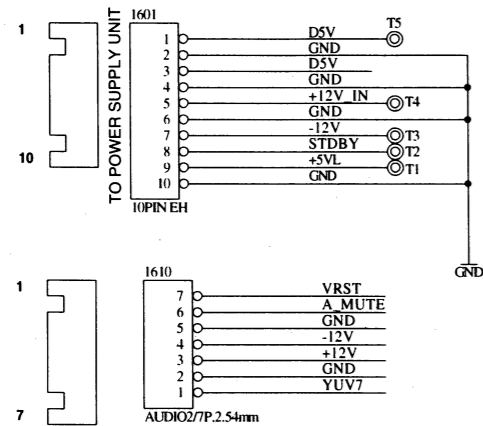
1xxx : Connector 3xxx : Resistor 5xxx : Coil 7xxx : IC, Transistor, FET
 2xxx : Capacitor 4xxx : SMD jumper 6xxx : Diode 9xxx : Wire jumper

MONO BOARD 1/6

M1 INDEX

NAME	TYPE	DEVICE
5VL	Digital 5V	SUPPLY
RVCC	Servo 5V	MT1336E
AVCC	RF 5V	PICKUP HEADER
DV33	Digital 3.3V	Flash, VideoDAC
DV33	Digital 3.3V	MT1369E
AV33	Servo 3.3V	MT1369E
V25	Digital 2.5V	MT1369E
SD33	Digital 3.3V	SDRAM
+5VV	VIDEO 5V	VIDEO
VCCS330	Audio 5V	Audio
+12V	Audio 12V	Audio filter
+5V8756D	Audio 5V	Audio DAC
+5V8756A	Audio 5V	Audio DAC

1601 A3	2607 A1	2781 B1	2800 C1	3606 C3	3718 B1	5602 D1	6604 D1	7601 D1	7635 D2
1610 A2	2608 E1	2782 E2	2802 A1	3607 C2	3744 B1	5603 A1	6605 E2	7616 B3	7636 D2
2601 C2	2609 A1	2783 E1	3602 B3	3609 C3	3747 D2	5604 A1	6620 C2	7617 C2	
2603 A1	2706 D2	2784 B1	3603 C2	3610 C2	3748 D2	6601 C2	6621 C2	7618 C3	
2605 C1	2778 C3	2785 E1	3604 C2	3611 E2	3749 D2	6602 C3	6622 B2	7633 C1	
2606 E1	2779 B3	2786 B1	3605 C3	3714 C1	3832 D2	6603 B3	6623 B2	7634 C1	

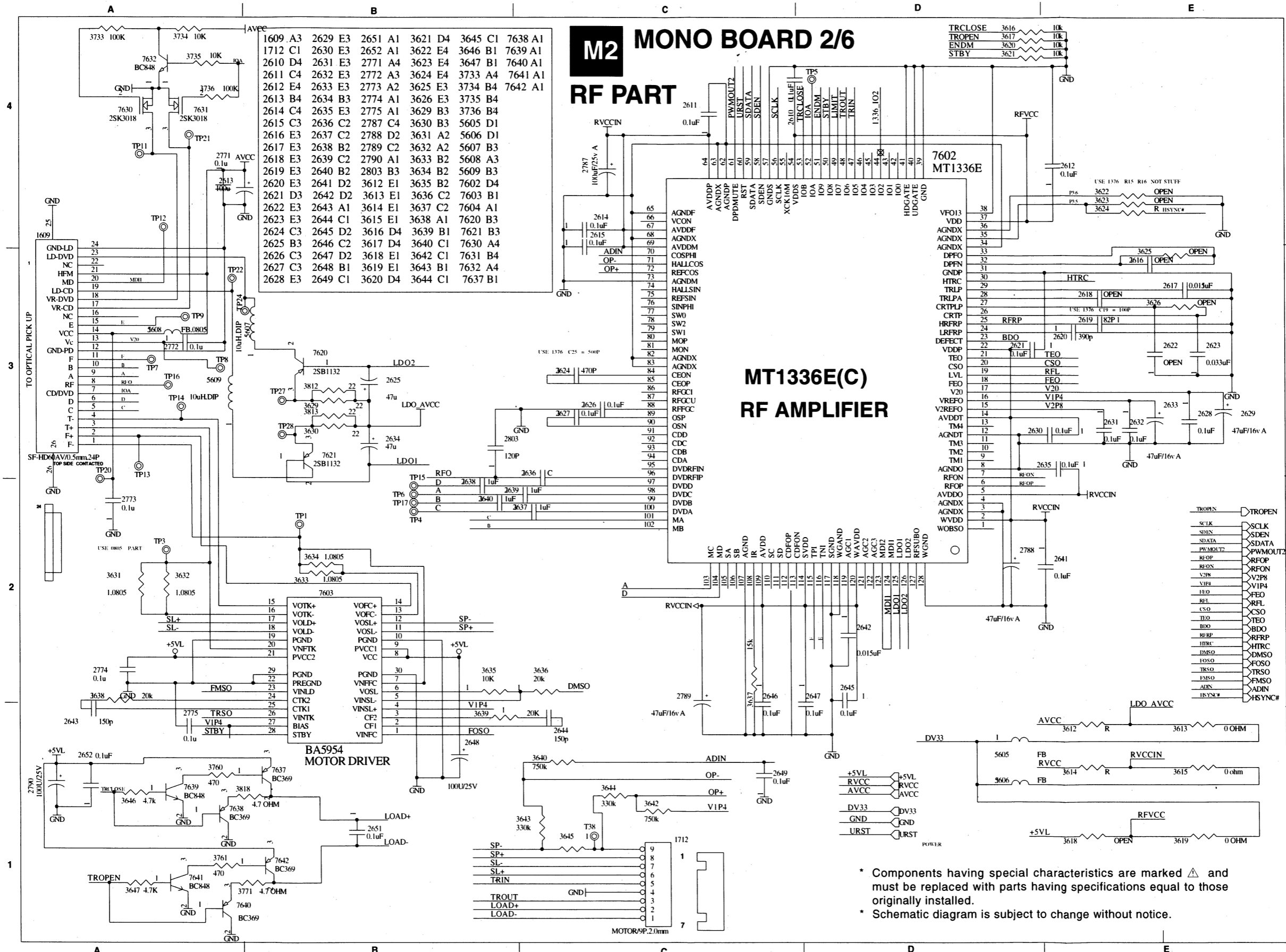


* Components having special characteristics are marked Δ and must be replaced with parts having specifications equal to those originally installed.
 * Schematic diagram is subject to change without notice.

■ SCHEMATIC DIAGRAM

The first digit of a component indicates the component type.

- 1xxx : Connector 3xxx : Resistor 5xxx : Coil 7xxx : IC, Transistor, FET
- 2xxx : Capacitor 4xxx : SMD jumper 6xxx : Diode 9xxx : Wire jumper



* Components having special characteristics are marked Δ and must be replaced with parts having specifications equal to those originally installed.
* Schematic diagram is subject to change without notice.

SCHEMATIC DIAGRAM

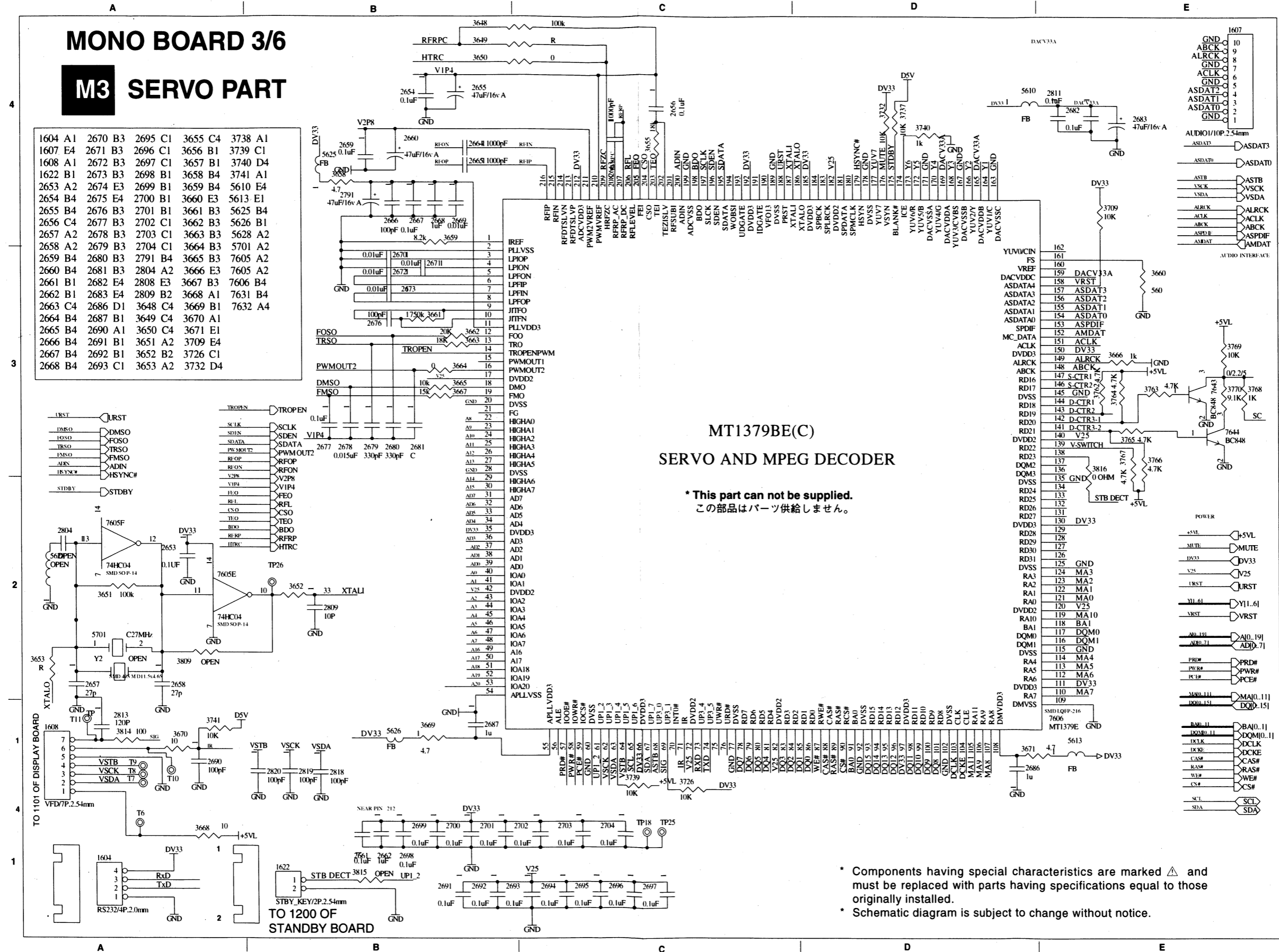
The first digit of a component indicates the component type.

- 1xxx : Connector 3xxx : Resistor 5xxx : Coil 7xxx : IC, Transistor, FET
- 2xxx : Capacitor 4xxx : SMD jumper 6xxx : Diode 9xxx : Wire jumper

MONO BOARD 3/6

M3 SERVO PART

1604 A1	2670 B3	2695 C1	3655 C4	3738 A1
1607 E4	2671 B3	2696 C1	3656 B1	3739 C1
1608 A1	2672 B3	2697 C1	3657 B1	3740 D4
1622 B1	2673 B3	2698 B1	3658 B4	3741 A1
2653 A2	2674 E3	2699 B1	3659 B4	5610 E4
2654 B4	2675 E4	2700 B1	3660 E3	5613 E1
2655 B4	2676 B3	2701 B1	3661 B3	5625 B4
2656 C4	2677 B3	2702 C1	3662 B3	5626 B1
2657 A2	2678 B3	2703 C1	3663 B3	5628 A2
2658 A2	2679 B3	2704 C1	3664 B3	5701 A2
2659 B4	2680 B3	2791 B4	3665 B3	7605 A2
2660 B4	2681 B3	2804 A2	3666 E3	7605 A2
2661 B1	2682 E4	2808 E3	3667 B3	7606 B4
2662 B1	2683 E4	2809 B2	3668 A1	7631 B4
2663 C4	2686 D1	3648 C4	3669 B1	7632 A4
2664 B4	2687 B1	3649 C4	3670 A1	
2665 B4	2690 A1	3650 C4	3671 E1	
2666 B4	2691 B1	3651 A2	3709 E4	
2667 B4	2692 B1	3652 B2	3726 C1	
2668 B4	2693 C1	3653 A2	3732 D4	



MT1379BE(C)
SERVO AND MPEG DECODER

* This part can not be supplied.
この部品はパーツ供給しません。

• Components having special characteristics are marked Δ and must be replaced with parts having specifications equal to those originally installed.
• Schematic diagram is subject to change without notice.

SCHEMATIC DIAGRAM

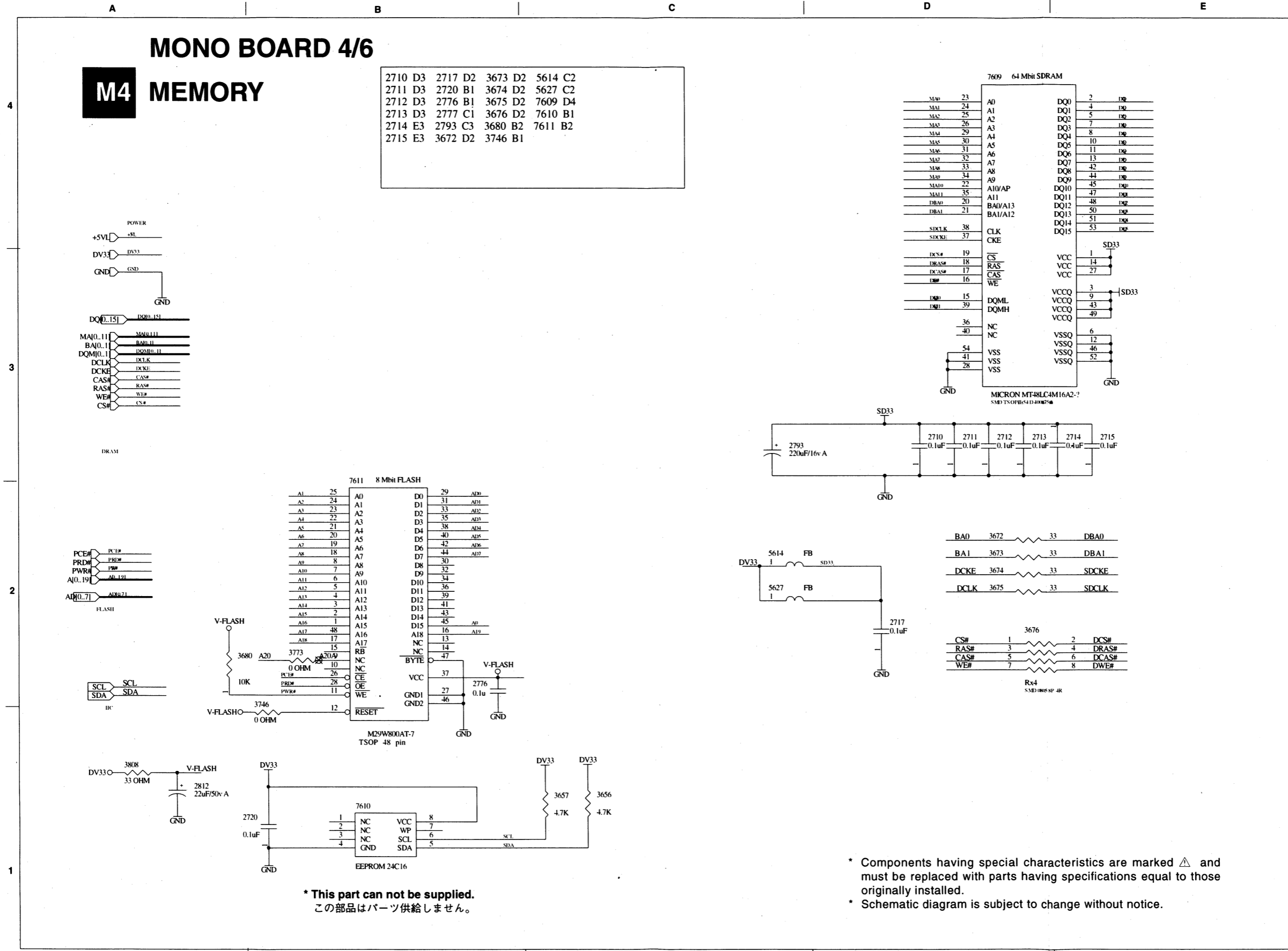
The first digit of a component indicates the component type.

1xxx : Connector 3xxx : Resistor 5xxx : Coil 7xxx : IC, Transistor, FET
 2xxx : Capacitor 4xxx : SMD jumper 6xxx : Diode 9xxx : Wire jumper

MONO BOARD 4/6

M4 MEMORY

2710	D3	2717	D2	3673	D2	5614	C2
2711	D3	2720	B1	3674	D2	5627	C2
2712	D3	2776	B1	3675	D2	7609	D4
2713	D3	2777	C1	3676	D2	7610	B1
2714	E3	2793	C3	3680	B2	7611	B2
2715	E3	3672	D2	3746	B1		



* This part can not be supplied.
 この部品はパーツ供給しません。

* Components having special characteristics are marked \triangle and must be replaced with parts having specifications equal to those originally installed.
 * Schematic diagram is subject to change without notice.

SCHEMATIC DIAGRAM

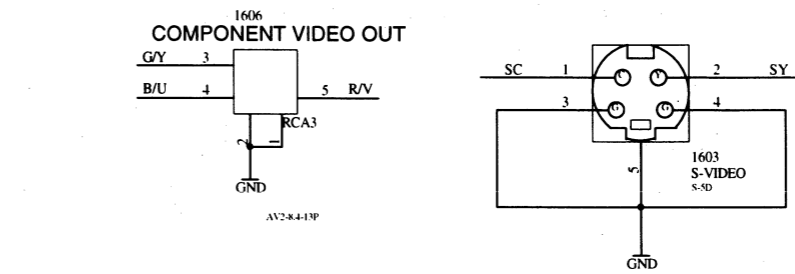
The first digit of a component indicates the component type.

- 1xxx : Connector 3xxx : Resistor 5xxx : Coil 7xxx : IC, Transistor, FET
- 2xxx : Capacitor 4xxx : SMD jumper 6xxx : Diode 9xxx : Wire jumper

MONO BOARD 5/6

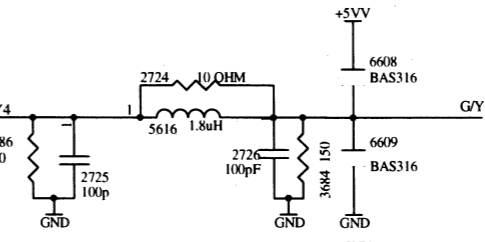
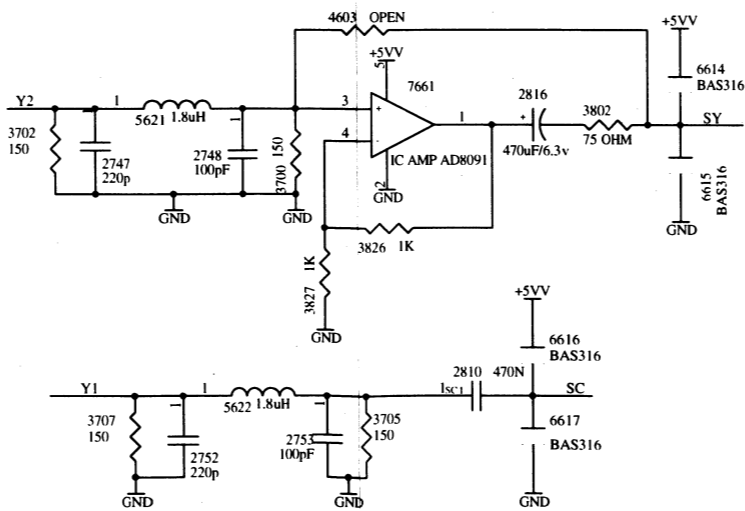
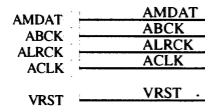
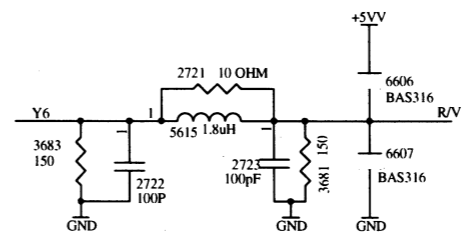
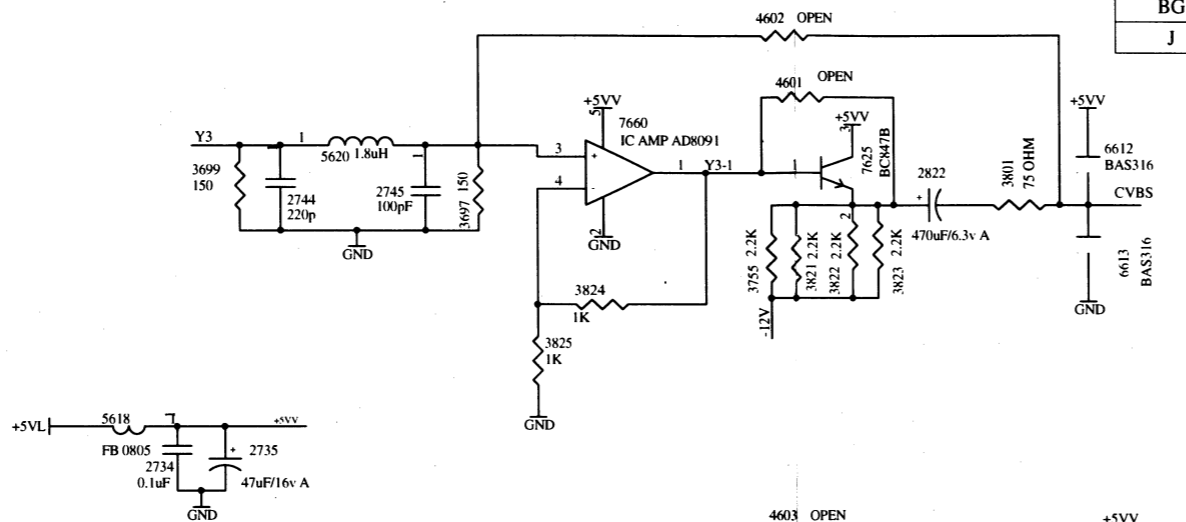
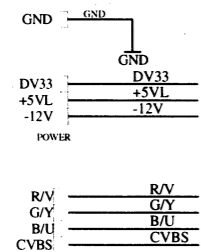
M5 VIDEO

1603 E4	2728 D1	2741 B1	2753 C1	3694 A1	3753 D2	5620 C3	6613 C2	7626 C2	3822 3C
1606 E4	2729 A1	2742 B1	3681 D3	3695 A1	3754 D2	5621 C2	6614 C2	7627 C1	3823 3C
1620 A2	2730 D1	2743 C3	3683 D2	3696 A1	3755 C3	5622 C1	6615 C2	7660 C3	3824 3C
2721 D3	2731 D1	2744 C3	3684 D2	3697 C3	3756 C2	6606 D3	6616 C1	7661 C2	3825 3C
2722 D3	2734 B2	2745 C3	3686 D2	3699 B2	3757 C2	6607 D2	6617 C1		3826 3C
2723 D3	2735 B2	2746 C2	3687 A1	3700 C2	5615 D3	6608 D2	7612 A1		3827 3C
2724 D2	2737 A1	2747 C2	3688 D2	3702 B2	5616 D2	6609 D2	7622 D3		4601 3C
2725 D2	2738 A1	2748 C2	3690 D1	3705 C2	5617 D1	6610 D1	7623 D2		4602 3C
2726 D2	2739 B1	2750 C1	3692 A1	3707 B1	5618 B2	6611 D1	7624 D1		4603 3C
2727 A1	2740 B1	2752 C1	3693 A1	3752 D3	5619 B1	6612 C3	7625 C3		

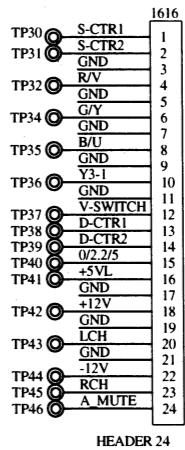
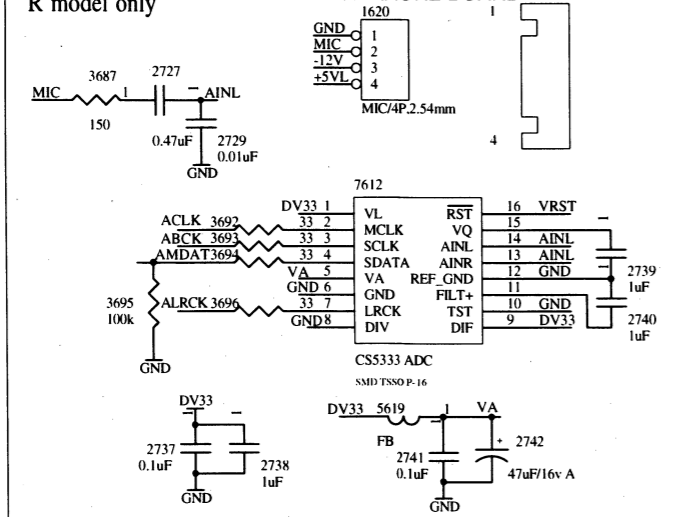


	3681	3683	3684	3686	3688	3690	3697	3699	3700	3702
UCRTKAP	150	150	150	150	150	150	150	150	150	150
BG	150	150	150	150	150	150	75	75	150	150
J	75	75	75	75	75	75	75	75	75	75

	4601	4601	4601
UCRTKAP	OPEN	0 OHM	0 OHM
BG	OPEN	OPEN	0 OHM
J	0 OHM	OPEN	OPEN



FOR KARAOKE FUNCTION TO 1301 OF KARAOKE BOARD R model only



* Components having special characteristics are marked Δ and must be replaced with parts having specifications equal to those originally installed.
 * Schematic diagram is subject to change without notice.

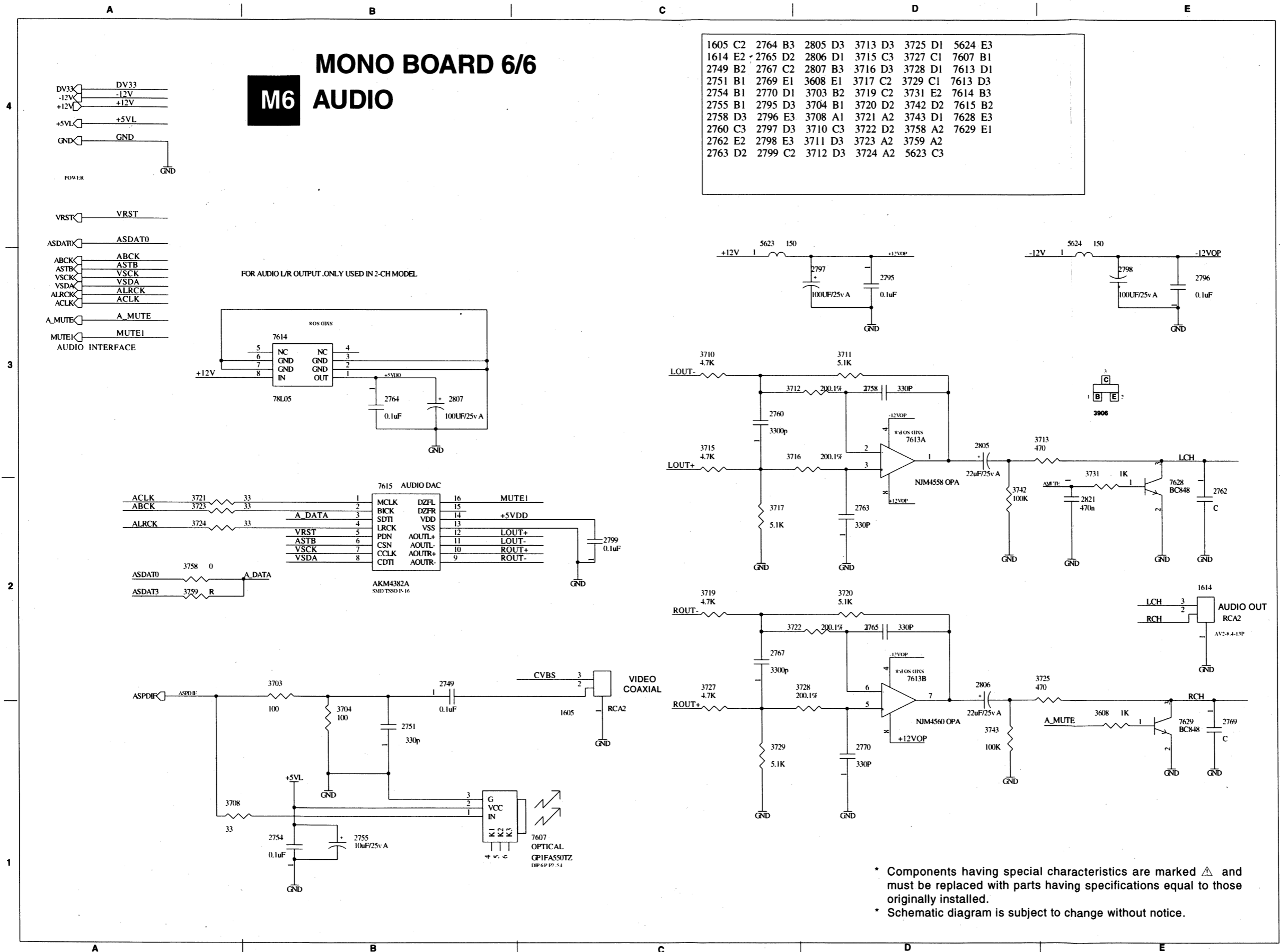
■ SCHEMATIC DIAGRAM

The first digit of a component indicates the component type.

1xxx : Connector 3xxx : Resistor 5xxx : Coil 7xxx : IC, Transistor, FET
 2xxx : Capacitor 4xxx : SMD jumper 6xxx : Diode 9xxx : Wire jumper

MONO BOARD 6/6
M6 AUDIO

1605 C2	2764 B3	2805 D3	3713 D3	3725 D1	5624 E3
1614 E2	2765 D2	2806 D1	3715 C3	3727 C1	7607 B1
2749 B2	2767 C2	2807 B3	3716 D3	3728 D1	7613 D1
2751 B1	2769 E1	3608 E1	3717 C2	3729 C1	7613 D3
2754 B1	2770 D1	3703 B2	3719 C2	3731 E2	7614 B3
2755 B1	2795 D3	3704 B1	3720 D2	3742 D2	7615 B2
2758 D3	2796 E3	3708 A1	3721 A2	3743 D1	7628 E3
2760 C3	2797 D3	3710 C3	3722 D2	3758 A2	7629 E1
2762 E2	2798 E3	3711 D3	3723 A2	3759 A2	
2763 D2	2799 C2	3712 D3	3724 A2	5623 C3	

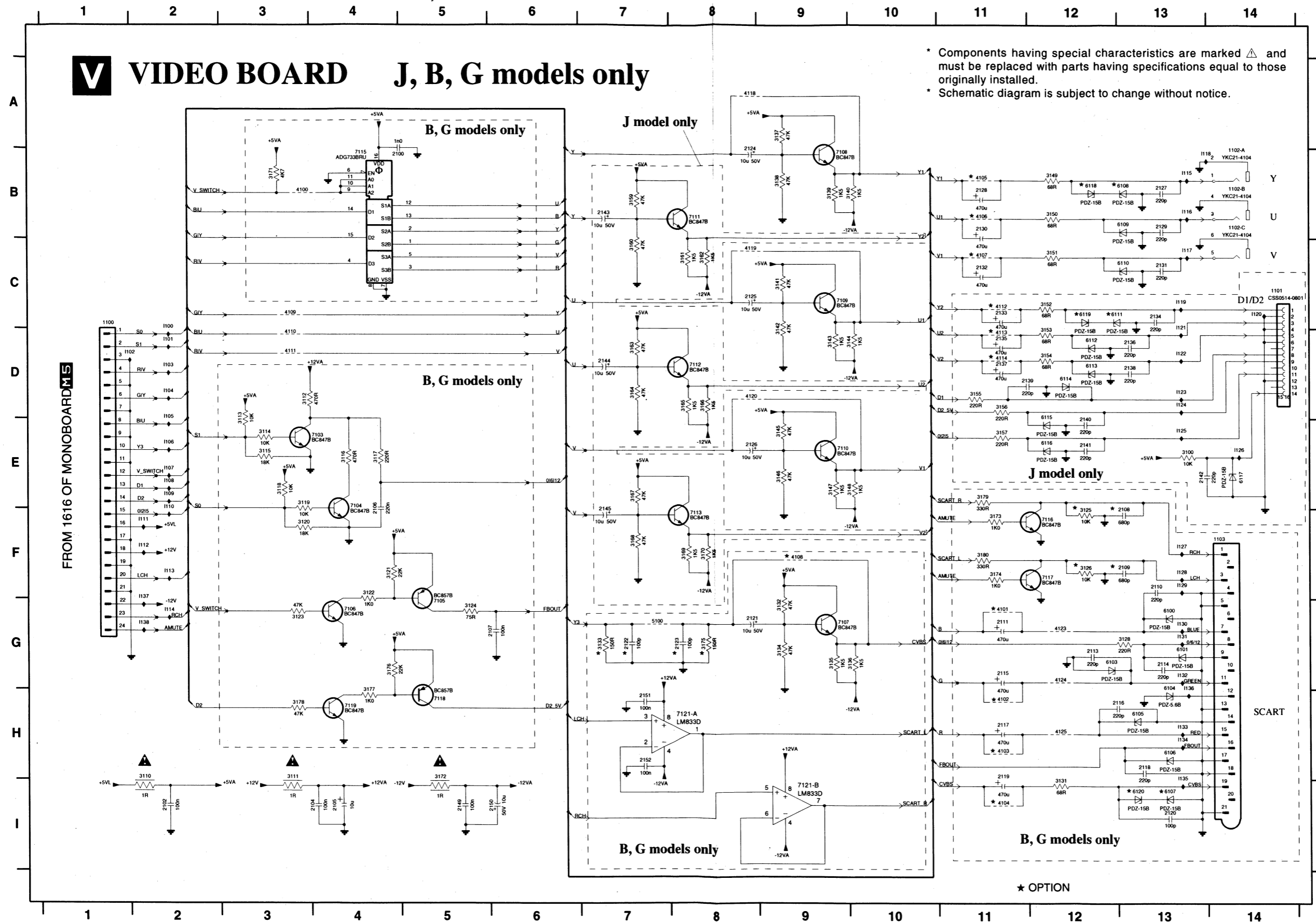


* Components having special characteristics are marked Δ and must be replaced with parts having specifications equal to those originally installed.
 * Schematic diagram is subject to change without notice.

SCHEMATIC DIAGRAM

The first digit of a component indicates the component type.

- 1xxx : Connector 3xxx : Resistor 5xxx : Coil 7xxx : IC, Transistor, FET
- 2xxx : Capacitor 4xxx : SMD jumper 6xxx : Diode 9xxx : Wire jumper



* Components having special characteristics are marked Δ and must be replaced with parts having specifications equal to those originally installed.
 * Schematic diagram is subject to change without notice.

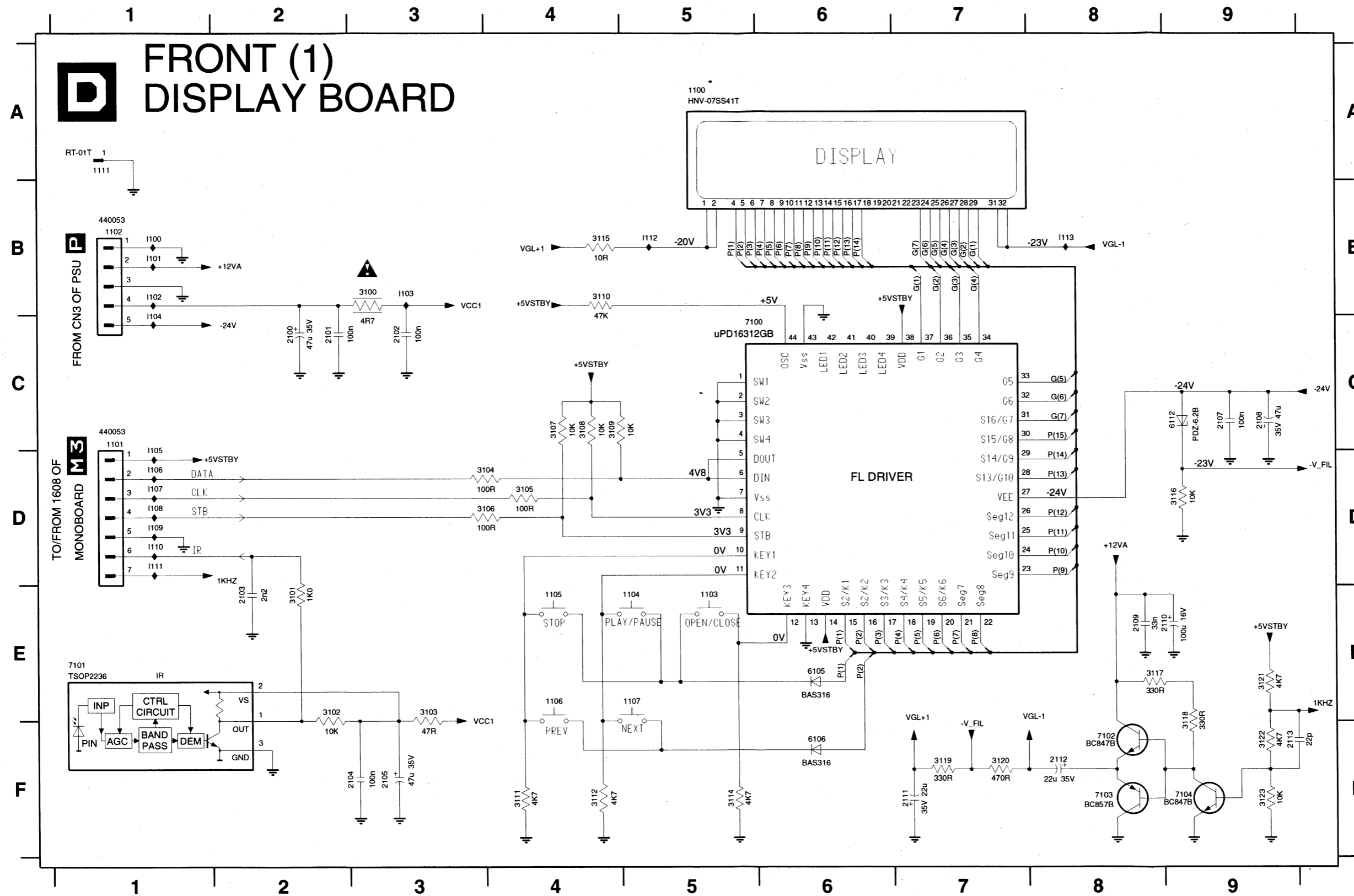
1100 C1	3175 G4
1101 C14	3176 G4
1102-A B14	3177 H4
1102-B B14	3178 H3
1102-C B14	3179 E11
1103 F14	3180 F11
2100 B4	4100 B3
2102 I2	4101 G11
2104 I4	4102 H11
2105 I4	4103 H11
2106 E4	4104 I11
2107 G6	4105 B11
2108 F13	4106 B11
2109 F13	4107 C11
2110 F13	4108 F9
2111 G11	4109 C3
2113 G12	4110 D3
2114 G13	4111 D3
2115 G11	4112 C11
2116 H12	4113 D11
2117 H11	4114 D11
2118 H13	4118 A8
2119 H11	4119 C8
2120 I13	4120 D8
2121 G8	4123 G12
2122 G7	4124 G12
2123 G8	4125 H12
2124 B8	5100 G7
2125 C8	6100 G13
2126 E8	6101 G13
2127 B13	6103 G12
2128 B11	6104 G13
2129 B13	6105 H13
2130 B11	6106 H13
2131 C13	6107 I13
2132 C11	6108 B13
2133 C11	6109 B13
2134 C13	6110 C13
2135 D11	6111 C12
2136 D13	6112 D12
2137 D11	6113 D12
2138 D13	6114 D12
2139 D11	6115 D12
2140 E12	6116 E12
2141 E12	6117 E14
2142 E13	6118 B12
2143 B7	6119 C12
2144 D7	6120 I13
2145 F7	7103 E4
2149 I5	7104 E4
2150 I6	7105 G5
2151 H7	7106 G4
2152 H7	7107 G9
3100 E13	7108 B9
3110 H2	7109 C9
3111 H3	7110 E9
3112 D3	7111 B8
3113 D3	7112 D8
3114 E3	7113 F8
3115 E3	7115 B4
3116 E4	7116 F12
3117 E4	7117 F12
3118 E3	7118 H5
3119 E3	7119 H4
3120 F3	7121-A H8
3121 F4	7121-B H8
3122 F4	I100 C2
3123 G3	I101 D2
3124 G5	I102 D1
3125 F12	I103 D2
3126 F12	I104 D2
3128 G13	I105 D2
3131 I12	I106 E2
3132 G9	I107 E2
3133 G7	I108 E2
3134 G9	I109 E2
3135 G9	I110 E2
3136 G10	I111 F2
3137 A9	I112 F2
3138 B9	I113 F2
3139 B9	I114 G2
3140 B10	I115 B13
3141 C9	I116 B13
3142 C9	I117 C13
3143 D9	I118 B13
3144 D10	I119 C13
3145 E9	I120 C14
3146 E9	I121 C13
3147 E9	I122 D13
3148 E10	I123 D13
3149 B12	I124 D13
3150 B12	I125 E13
3151 C12	I126 E14
3152 C12	I127 F13
3153 D12	I128 F13
3154 D12	I129 F13
3155 D11	I130 G13
3156 D11	I131 G13
3157 E11	I132 G13
3159 B7	I133 H13
3160 C7	I134 H13
3161 C8	I135 H13
3162 C8	I136 G13
3163 D7	I137 F2
3164 D7	I138 G2
3165 D8	
3166 D8	
3167 E7	
3168 F7	
3169 F8	
3170 F8	
3171 B3	
3172 H5	
3173 F11	
3174 F11	

* OPTION

■ SCHEMATIC DIAGRAM

The first digit of a component indicates the component type.

1xxx : Connector 3xxx : Resistor 5xxx : Coil 7xxx : IC, Transistor, FET
 2xxx : Capacitor 4xxx : SMD jumper 6xxx : Diode 9xxx : Wire jumper



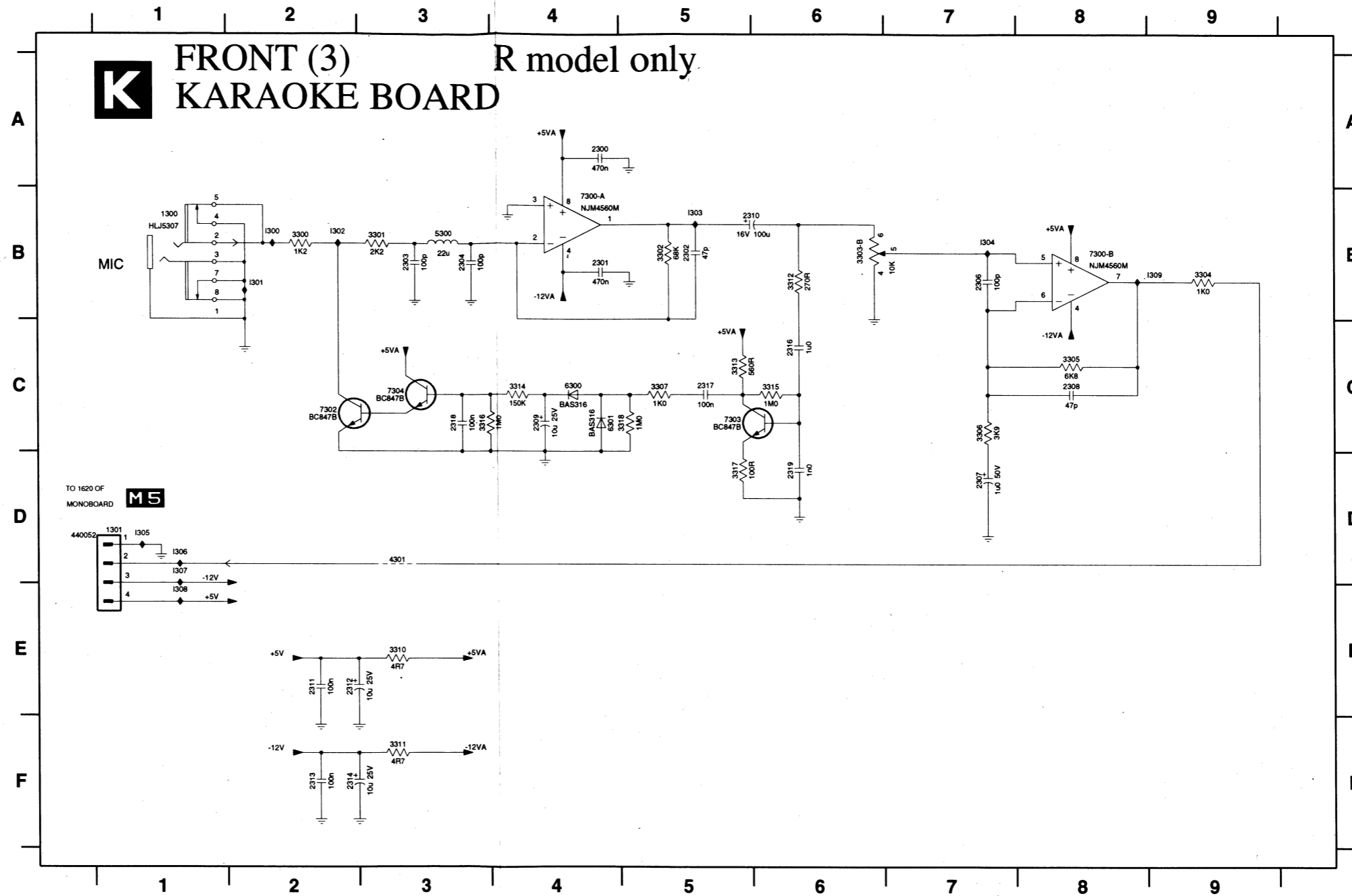
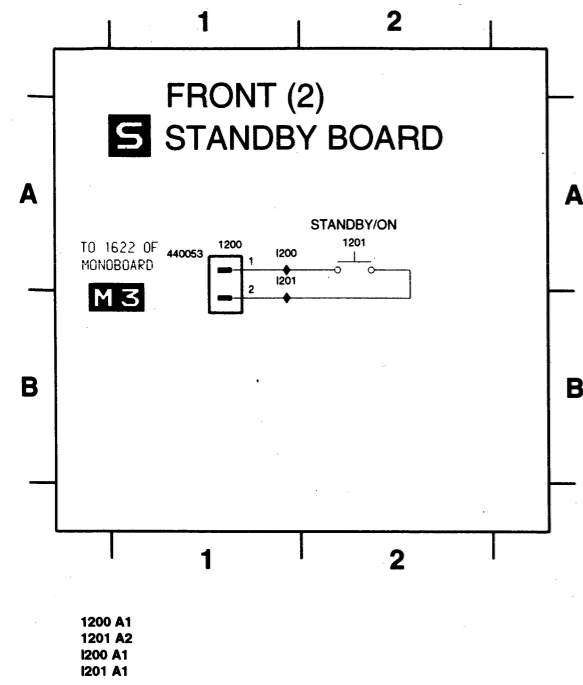
- 1100 A5
- 1101 C1
- 1102 B1
- 1103 E5
- 1104 E5
- 1105 E4
- 1106 E4
- 1107 E5
- 1111 A1
- 2100 C2
- 2101 C2
- 2102 C3
- 2103 E2
- 2104 F3
- 2105 F3
- 2107 C9
- 2108 C9
- 2109 E8
- 2110 E9
- 2111 F7
- 2112 F8
- 2113 F9
- 3100 B3
- 3101 E2
- 3102 E2
- 3103 E3
- 3104 D4
- 3105 D4
- 3106 D4
- 3107 C4
- 3108 C4
- 3109 C4
- 3110 B4
- 3111 F4
- 3112 F4
- 3114 F5
- 3115 B4
- 3116 D9
- 3117 E8
- 3118 E9
- 3119 F7
- 3120 F7
- 3121 E9
- 3122 F9
- 3123 F9
- 6105 E6
- 6106 F6
- 6112 C9
- 7100 C6
- 7101 E1
- 7102 F8
- 7103 F8
- 7104 F9
- I100 B1
- I101 B1
- I102 B1
- I103 B3
- I104 C1
- I105 C1
- I106 D1
- I107 D1
- I108 D1
- I109 D1
- I110 D1
- I111 D1

* Components having special characteristics are marked Δ and must be replaced with parts having specifications equal to those originally installed.
 * Schematic diagram is subject to change without notice.

■ SCHEMATIC DIAGRAM

The first digit of a component indicates the component type.

- 1xxx : Connector 3xxx : Resistor 5xxx : Coil 7xxx : IC, Transistor, FET
- 2xxx : Capacitor 4xxx : SMD jumper 6xxx : Diode 9xxx : Wire jumper



* Components having special characteristics are marked Δ and must be replaced with parts having specifications equal to those originally installed.
 * Schematic diagram is subject to change without notice.

PARTS LIST

■ ELECTRICAL PARTS

■ WARNING

● Components having special characteristics are marked \triangle and must be replaced with parts having specifications equal to those originally installed.

● \triangle 印のある部分は、安全確保部品を示しています。部品の交換が必要な場合、パーツリストに記載されている部品を使用してください。

ABBREVIATIONS IN THIS LIST ARE AS FOLLOWS :

C.A.EL.CHP	: CHIP ALUMI. ELECTROLYTIC CAP	L.DTCT	: LIGHT DETECTING MODULE
C.CE	: CERAMIC CAP	L.EMIT	: LIGHT EMITTING MODULE
C.CE.ARRAY	: CERAMIC CAP ARRAY	LED.DSPLY	: LED DISPLAY
C.CE.CHP	: CHIP CERAMIC CAP	LED.INFRD	: LED, INFRARED
C.CE.ML	: MULTILAYER CERAMIC CAP	MODUL.RF	: MODULATOR, RF
C.CE.M.CHP	: CHIP MULTILAYER CERAMIC CAP	PHOT.CPL	: PHOTO COUPLER
C.CE.SAFTY	: RECOGNIZED CERAMIC CAP	PHOT.INTR	: PHOTO INTERRUPTER
C.CE.TUBLR	: CERAMIC TUBULAR CAP	PHOT.RFLCT	: PHOTO REFLECTOR
C.CE.SMI	: SEMI CONDUCTIVE CERAMIC CAP	PIN.TEST	: PIN, TEST POINT
C.EL	: ELECTROLYTIC CAP	PLST.RIVET	: PLASTIC RIVET
C.MICA	: MICA CAP	R.ARRAY	: RESISTOR ARRAY
C.ML.FLM	: MULTILAYER FILM CAP	R.CAR	: CARBON RESISTOR
C.MP	: METALLIZED PAPER CAP	R.CAR.CHP	: CHIP RESISTOR
C.MYLAR	: MYLAR FILM CAP	R.CAR.FP	: FLAME PROOF CARBON RESISTOR
C.MYLAR.ML	: MULTILAYER MYLAR FILM CAP	R.FUS	: FUSABLE RESISTOR
C.PAPER	: PAPER CAPACITOR	R.MTL.CHP	: CHIP METAL FILM RESISTOR
C.PLS	: POLYSTYRENE FILM CAP	R.MTL.FLM	: METAL FILM RESISTOR
C.POL	: POLYESTER FILM CAP	R.MTL.OXD	: METAL OXIDE FILM RESISTOR
C.POLY	: POLYETHYLENE FILM CAP	R.MTL.PLAT	: METAL PLATE RESISTOR
C.PP	: POLYPROPYLENE FILM CAP	RSNR.CE	: CERAMIC RESONATOR
C.TNTL	: TANTALUM CAP	RSNR.CRYS	: CRYSTAL RESONATOR
C.TNTL.CHP	: CHIP TANTALUM CAP	R.TW.CEM	: TWIN CEMENT FIXED RESISTOR
C.TRIM	: TRIMMER CAP	R.WW	: WIRE WOUND RESISTOR
CN	: CONNECTOR	SCR.BND.HD	: BIND HEAD B-TITE SCREW
CN.BS.PIN	: CONNECTOR, BASE PIN	SCR.BW.HD	: BW HEAD TAPPING SCREW
CN.CANNON	: CONNECTOR, CANNON	SCR.CUP	: CUP TITE SCREW
CN.DIN	: CONNECTOR, DIN	SCR.TERM	: SCREW TERMINAL
CN.FLAT	: CONNECTOR, FLAT CABLE	SCR.TR	: SCREW, TRANSISTOR
CN.POST	: CONNECTOR, BASE POST	SUPRT.PCB	: SUPPORT, P.C.B.
COIL.MX.AM	: COIL, AM MIX	SURG.PRTCT	: SURGE PROTECTOR
COIL.AT.FM	: COIL, FM ANTENNA	SW.TACT	: TACT SWITCH
COIL.DT.FM	: COIL, FM DETECT	SW.LEAF	: LEAF SWITCH
COIL.MX.FM	: COIL, FM MIX	SW.LEVER	: LEVER SWITCH
COIL.OUTPT	: OUTPUT COIL	SW.MICRO	: MICRO SWITCH
DIOD.ARRAY	: DIODE ARRAY	SW.PUSH	: PUSH SWITCH
DIODE.BRG	: DIODE BRIDGE	SW.RT.ENC	: ROTARY ENCODER
DIODE.CHP	: CHIP DIODE	SW.RT.MTR	: ROTARY SWITCH WITH MOTOR
DIODE.SHOT	: SCHOTTKY BARRIER DIODE	SW.RT	: ROTARY SWITCH
DIODE.VAR	: VARACTOR DIODE	SW.SLIDE	: SLIDE SWITCH
DIOD.Z.CHP	: CHIP ZENER DIODE	TERM.SP	: SPEAKER TERMINAL
DIODE.ZENR	: ZENER DIODE	TERM.WRAP	: WRAPPING TERMINAL
DSCR.CE	: CERAMIC DISCRIMINATOR	THRMST.CHP	: CHIP THERMISTOR
FER.BEAD	: FERRITE BEADS	TR.CHP	: CHIP TRANSISTOR
FER.CORE	: FERRITE CORE	TR.DGT	: DIGITAL TRANSISTOR
FET.CHP	: CHIP FET	TR.DGT.CHP	: CHIP DIGITAL TRANSISTOR
FL.DSPLY	: FLUORESCENT DISPLAY	TRANS	: TRANSFORMER
FLTR.CE	: CERAMIC FILTER	TRANS.PULS	: PULSE TRANSFORMER
FLTR.COMB	: COMB FILTER MODULE	TRANS.PWR	: POWER TRANSFORMER ASS'y
FLTR.LC.RF	: LC FILTER, EMI	TUNER.AM	: TUNER PACK, AM
GND.MTL	: GROUND PLATE	TUNER.FM	: TUNER PACK, FM
GND.TERM	: GROUND TERMINAL	TUNER.PK	: FRONT-END TUNER PACK
HOLDER.FUS	: FUSE HOLDER	VR	: ROTARY POTENTIOMETER
IC.PRTCT	: IC PROTECTOR	VR.MTR	: POTENTIOMETER WITH MOTOR
JUMPER.CN	: JUMPER CONNECTOR	VR.SW	: POTENTIOMETER WITH ROTARY SW
JUMPER.TST	: JUMPER, TEST POINT	VR.SLIDE	: SLIDE POTENTIOMETER
		VR.TRIM	: TRIMMER POTENTIOMETER

DVD-S540
DV-S5650

Ref. No.	PART NO.	Description	Remarks	Markets	部品名	Rank
		P. C. B.	MONO SD5. 4		P C B MONO	
* 1603	AAX50440	TERMINAL	S-VIDEO S-5D	3141 010 30422	Sビデオ端子	
* 1605	AAX50610	JACK. PIN	2P YE/BL	3141 010 30411	ピンジャック	
* 1606	AAX50630	JACK. PIN	3P GR/BE/RE	3141 010 30501	ピンジャック	
* 1614	AAX50620	JACK. PIN	2P RE/WH	3141 010 30471	ピンジャック	
2613	UR848100	C. EL	100uF 25V		ケミコン	01
2625	UR837470	C. EL	47uF 16V		ケミコン	01
2629	UR837470	C. EL	47uF 16V		ケミコン	01
2633	UR837470	C. EL	47uF 16V		ケミコン	01
2634	UR837470	C. EL	47uF 16V		ケミコン	01
2648	UR848100	C. EL	100uF 25V		ケミコン	01
2655	UR837470	C. EL	47uF 16V		ケミコン	01
2660	UR837470	C. EL	47uF 16V		ケミコン	01
2683	UR837470	C. EL	47uF 16V		ケミコン	01
2735	UR837470	C. EL	47uF 16V		ケミコン	01
2742	UR837470	C. EL	47uF 16V		ケミコン	01
2755	UR847100	C. EL	10uF 25V		ケミコン	01
2778	UR848100	C. EL	100uF 25V		ケミコン	01
2779	UR838220	C. EL	220uF 16V		ケミコン	01
2781	UR838220	C. EL	220uF 16V		ケミコン	01
2782	UR847100	C. EL	10uF 25V		ケミコン	01
2783	UR838220	C. EL	220uF 16V		ケミコン	01
2784	UR838220	C. EL	220uF 16V		ケミコン	01
2785	UR838220	C. EL	220uF 16V		ケミコン	01
2786	UR838220	C. EL	220uF 16V		ケミコン	01
2787	UR848100	C. EL	100uF 25V		ケミコン	01
2788	UR837470	C. EL	47uF 16V		ケミコン	01
2789	UR837470	C. EL	47uF 16V		ケミコン	01
2790	UR848100	C. EL	100uF 25V		ケミコン	01
2791	UR837470	C. EL	47uF 16V		ケミコン	01
2793	UR838220	C. EL	220uF 16V		ケミコン	01
2797	UR848100	C. EL	100uF 25V		ケミコン	01
2798	UR848100	C. EL	100uF 25V		ケミコン	01
2800	UR848100	C. EL	100uF 25V		ケミコン	01
2805	UR867220	C. EL	22uF 50V		ケミコン	01
2806	UR867220	C. EL	22uF 50V		ケミコン	01
2807	UR848100	C. EL	100uF 25V		ケミコン	01
2812	UR867220	C. EL	22uF 50V		ケミコン	01
2816	UR838470	C. EL	470uF 16V		ケミコン	01
2822	UR838470	C. EL	470uF 16V		ケミコン	01
* 5701	AAX50950	RSNR. CRYST	27. 00MHZ	3141 018 80601	水晶振動子	
* 6601-03	AAX50460	DIODE	BAS316	9340 549 45115	ダイオード	
* 6604	AAX50990	DIODE	1N4002	3141 018 51781	ダイオード	
* 6605-17	AAX50460	DIODE	BAS316	9340 549 45115	ダイオード	
* 6620-23	AAX50460	DIODE	BAS316	9340 549 45115	ダイオード	
* 7601	AAX46700	IC	LD1117DT33	9322 134 45668	IC	
* 7602	AAX50320	IC	MT1336E	3141 018 51651	IC	
* 7603	AAX50350	IC	BA5954FP	9322 187 63668	IC	
* 7605	AAX50370	IC	74HCU04D	9337 140 00653	IC	
* 7607	AAX39900	CN. PHOT. SN	GP1FA550TZ	9322 155 28667	光ファイバー受信機	
* 7609	AAX50300	IC	MT48LC4M16A2TG-7E	3141 018 51281	IC	
* 7611	AAX50290	IC	M29W160DT PROG SD5	3141 017 41011	IC	
* 7612	AAX50310	IC	CS5333 ADC	3141 018 51320	IC	

* New Parts (新規部品)

Note) Those parts marked with “#” are not included in the P.C.B. ass'y. (マーク#の部品は、基板に含まれません)

Ref. No.	PART NO.	Description	Remarks	Markets	部品名	Rank	
* 7613	AAX50380	IC	NJM4560M	9338 800 40685		IC	
* 7614	AAX50330	IC	MC78L05ACD	9322 043 00668		IC	
* 7615	AAX46780	IC	AKM4382AVT	9322 177 09685		IC	
* 7616-18	AAX50520	TR	BC858B	9335 897 90215		トランジスタ	
* 7620-21	AAX50490	TR	2SB1132	9322 133 00685		トランジスタ	
* 7625	AAX47380	TR	BC847B	3198 010 42030	UCTAPK	トランジスタ	
* 7628-29	AAX50510	TR	BC848B	9335 896 30215		トランジスタ	
* 7630-31	AAX50480	TR	2SK3018	3141 018 51691		トランジスタ	
* 7632	AAX50510	TR	BC848B	9335 896 30215		トランジスタ	
* 7633	AAX50520	TR	BC858B	9335 897 90215		トランジスタ	
* 7634	AAX47490	TR	BC847BPN	9340 425 30115		トランジスタ	
* 7637-38	AAX50500	TR	BC369	9332 592 50126		トランジスタ	
* 7639	AAX50510	TR	BC848B	9335 896 30215		トランジスタ	
* 7640	AAX50500	TR	BC369	9332 592 50126		トランジスタ	
* 7641	AAX50510	TR	BC848B	9335 896 30215		トランジスタ	
* 7642	AAX50500	TR	BC369	9332 592 50126		トランジスタ	
* 7643-44	AAX50510	TR	BC848B	9335 896 30215	JUCTAPK	トランジスタ	
* #	AAX50390	P.C.B.	VIDEO	3139 248 82671	J	P C B ビデオ	
* #	AAX50400	P.C.B.	VIDEO	3139 248 82681	BG	P C B ビデオ	
* 1101	AAX50270	TERM. D	14P F 1.27 CSS5014	2422 025 18145	J	D端子コネクタ	
* 1102	AAX22250	JACK. PIN	3P	2422 026 05049		ピンジャック	
* 1103	AAX29760	TERM. SCART	21P	2422 025 12352	BG	スカート端子	
	2105	UR867100	C. EL 10uF 50V			ケミコン	01
	2111	UR818470	C. EL 470uF 6.3V		BG	ケミコン	01
	2115	UR818470	C. EL 470uF 6.3V		BG	ケミコン	01
	2117	UR818470	C. EL 470uF 6.3V		BG	ケミコン	01
	2119	UR818470	C. EL 470uF 6.3V		BG	ケミコン	01
	2121	UR867100	C. EL 10uF 50V		BG	ケミコン	01
	2124	UR867100	C. EL 10uF 50V			ケミコン	01
	2125	UR867100	C. EL 10uF 50V			ケミコン	01
	2126	UR867100	C. EL 10uF 50V			ケミコン	01
	2128	UR818470	C. EL 470uF 6.3V			ケミコン	01
	2130	UR818470	C. EL 470uF 6.3V			ケミコン	01
	2132	UR818470	C. EL 470uF 6.3V			ケミコン	01
	2133	UR818470	C. EL 470uF 6.3V		J	ケミコン	01
	2135	UR818470	C. EL 470uF 6.3V		J	ケミコン	01
	2137	UR818470	C. EL 470uF 6.3V		J	ケミコン	01
	2143	UR867100	C. EL 10uF 50V		J	ケミコン	01
	2144	UR867100	C. EL 10uF 50V		J	ケミコン	01
	2145	UR867100	C. EL 10uF 50V		J	ケミコン	01
	2150	UR867100	C. EL 10uF 50V			ケミコン	01
* 6100-01	AAX50470	DIODE. ZENR	PDZ15B	9340 548 53115	BG	ツェナーダイオード	
* 6103-06	AAX50470	DIODE. ZENR	PDZ15B	9340 548 53115	BG	ツェナーダイオード	
* 6109-10	AAX50470	DIODE. ZENR	PDZ15B	9340 548 53115		ツェナーダイオード	
* 6112-17	AAX50470	DIODE. ZENR	PDZ15B	9340 548 53115	J	ツェナーダイオード	
* 7103-07	AAX47380	TR	BC847B	3198 010 42030	BG	トランジスタ	
* 7108-10	AAX47380	TR	BC847B	3198 010 42030		トランジスタ	
* 7111-13	AAX47380	TR	BC847B	3198 010 42030	J	トランジスタ	
* 7115	AAX50360	IC	ADG733BRU	9322 195 23668	BG	IC	
* 7116-17	AAX47380	TR	BC847B	3198 010 42030	BG	トランジスタ	
* 7118	AAX47390	TR	BC857B	3198 010 42150	BG	トランジスタ	

* New Parts (新規部品)

Note) Those parts marked with "# are not included in the P.C.B. ass'y. (マーク#の部品は、基板に含まれません)

DVD-S540
DV-S5650

Ref. No.	PART NO.	Description	Remarks	Markets	部品名	Rank
* 7119	AAX47380	TR	BC847B	3198 010 42030	BG	トランジスタ
* 7121	AAX46620	IC	LM833D	9322 020 18668	BG	IC
* *	AAX50420	P. C. B.	FRONT	3139 248 82661	JUCTKABGP	P C B フロント
* *	AAX50410	P. C. B.	FRONT	3139 248 82651	R	P C B フロント
* 1100	AAX50940	FL. DSPLY	HNV-07SS44T	3139 240 50341		蛍光表示管
* 1103-07	AAX39710	SW. TACT		2422 128 02742		タクトスイッチ
* 1201	AAX39710	SW. TACT		2422 128 02742		タクトスイッチ
* 1300	AAX50760	JACK. PHONE	1P HLJ5307	2422 026 05192	R	ホーンジャック
* 3303	AAX51210	VR	10k Ω	2120 375 90001	R	ボリューム
* 6105	AAX47290	DIODE	BAS316	3198 010 10630		ダイオード
* 6106	AAX47290	DIODE	BAS316	3198 010 10630		ダイオード
* 6112	AAX47330	DIODE. ZENR	PDZ6. 2B	9340 548 54115		ツェナーダイオード
* 6300-01	AAX47290	DIODE	BAS316	3198 010 10630	R	ダイオード
* 7100	AAX50340	IC	UPD16312GB-3B4	9322 186 03671		IC
* 7101	AAX39880	L. DTCT	TSOP2236LL1	9322 180 04667		リモコン受光ユニット
* 7102	AAX47380	TR	BC847B	3198 010 42030		トランジスタ
* 7103	AAX47390	TR	BC857B	3198 010 42150		トランジスタ
* 7104	AAX47380	TR	BC847B	3198 010 42030		トランジスタ
* 7300	AAX50380	IC	NJM4560M	9338 800 40685	R	IC
* 7302-04	AAX47380	TR	BC847B	3198 010 42030	R	トランジスタ

* New Parts (新規部品)

Note) Those parts marked with “#” are not included in the P.C.B. ass'y. (マーク#の部品は、基板に含まれません)

Parts List for Chip Carbon Resistors

Parts List for Chip Ceramic Capacitors

Value	Part No.	Value	Part No.	Value	Part No.
2pF 50V	US060200	120pF 50V	US062120	0.01uF 50V	US064100
3pF 50V	US060300	150pF 50V	US062150	0.015uF 50V	US064150
5pF 50V	US060500	180pF 50V	US062180	0.022uF 25V	US044220
6pF 50V	US060600	220pF 50V	US062220	0.027uF 50V	UB014270
7pF 50V	US060700	270pF 50V	US062270	0.033uF 16V	US034330
8pF 50V	US060800	330pF 50V	US062330	0.039uF 16V	US034390
10pF 50V	US061100	390pF 50V	US062390	0.047uF 16V	US034470
12pF 50V	US061120	470pF 50V	US062470	0.047uF 25V	UB214470
15pF 50V	US061150	560pF 50V	US062560	0.068uF 25V	UB214680
18pF 50V	US061180	680pF 50V	US062680	0.1uF 25V	UB215100
20pF 50V	US061200	820pF 50V	US062820	0.1uF 25V	UB245100
22pF 50V	US061220	1000pF 50V	US063100	0.15uF 25V	UB245150
24pF 50V	US061240	1200pF 50V	US063120	0.22uF 25V	UB245220
27pF 50V	US061270	1500pF 50V	US063150	0.22uF 16V	US135220
33pF 50V	US061330	1800pF 50V	US063180	0.33uF 16V	US135330
39pF 50V	US061390	2200pF 50V	US063220	0.33uF 16V	UB445330
43pF 50V	US061430	2400p 50V	UB053240	0.47uF 16V	UB445470
47pF 50V	US061470	2700pF 50V	US063270	0.68uF 16V	UB445680
56pF 50V	US061560	3300pF 50V	US063330	0.1uF 16V	US035100
62pF 50V	US061620	3900pF 50V	US063390	0.1uF 16V	US135100
68pF 50V	US061680	4700pF 50V	US063470	0.1uF 16V	UB445100
75pF 50V	US061750	5600pF 50V	US063560	1uF 16V	UB446100
82pF 50V	UB051820	6800pF 50V	US063680		
100pF 50V	US062100	8200pF 50V	US063820		

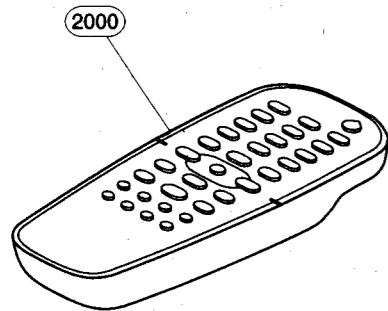
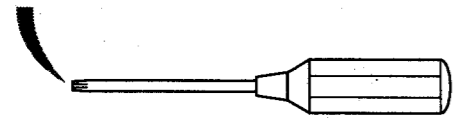
Value	1/10W Type Part No.	Value	1/10W Type Part No.	Value	1/16W Type Part No.
0 Ω	RD35 0000	4.3 kΩ	RD35 6430	0 Ω	HX61 1040
1.0 Ω	RD35 3100	4.7 kΩ	RD35 6470	1.0 Ω	HX61 0750
2.2 Ω	RD35 3220	5.1 kΩ	RD35 6510	10 Ω	HX61 1160
2.4 Ω	RD35 3240	5.6 kΩ	RD35 6560	47 Ω	HX61 1150
4.7 Ω	RD35 3470	6.2 kΩ	RD35 6620	100 Ω	HX61 0900
10 Ω	RD35 4100	6.8 kΩ	RD35 6680	220 Ω	HX61 0960
22 Ω	RD35 4220	7.5 kΩ	RD35 6750	270 Ω	HX61 1120
27 Ω	RD35 4270	8.2 kΩ	RD35 6820	390 Ω	HX61 0990
33 Ω	RD35 4330	9.1 kΩ	RD35 6910	470 Ω	HX61 0890
39 Ω	RD35 4390	10 kΩ	RD35 7100	560 Ω	HX61 1010
43 Ω	RD35 4430	11 kΩ	RD35 7110	1.0 kΩ	HX61 0910
47 Ω	RD35 4470	12 kΩ	RD35 7120	1.2 kΩ	HX61 1100
51 Ω	RD35 4510	13 kΩ	RD35 7130	1.5 kΩ	HX61 1090
62 Ω	RD35 4620	15 kΩ	RD35 7150	1.8 kΩ	HX61 1050
68 Ω	RD35 4680	16 kΩ	RD35 7160	2.7 kΩ	HX61 1140
75 Ω	RD35 4750	18 kΩ	RD35 7180	3.3 kΩ	HX61 0980
82 Ω	RD35 4820	20 kΩ	RD35 7200	4.7 kΩ	HX61 1080
91 Ω	RD35 4910	22 kΩ	RD35 7220	6.8 kΩ	HX61 1030
100 Ω	RD35 5100	24 kΩ	RD35 7240	10 kΩ	HX61 0920
120 Ω	RD35 5120	27 kΩ	RD35 7270	12 kΩ	HX61 0780
130 Ω	RD35 5130	30 kΩ	RD35 7300	15 kΩ	HX61 0950
150 Ω	RD35 5150	33 kΩ	RD35 7330	18 kΩ	HX61 0770
180 Ω	RD35 5180	36 kΩ	RD35 7360	22 kΩ	HX61 1110
200 Ω	RD35 5200	39 kΩ	RD35 7390	27 kΩ	HX61 1130
220 Ω	RD35 5220	43 kΩ	RD35 7430	30 kΩ	HX61 0810
240 Ω	RD35 5240	47 kΩ	RD35 7470	47 kΩ	HX61 1060
270 Ω	RD35 5270	51 kΩ	RD35 7510	56 kΩ	HX61 1020
300 Ω	RD35 5300	56 kΩ	RD35 7560	62 kΩ	HX61 0790
330 Ω	RD35 5330	62 kΩ	RD35 7620	82 kΩ	HX61 1170
390 Ω	RD35 5390	68 kΩ	RD35 7680	100 kΩ	HX61 0930
430 Ω	RD35 5430	75 kΩ	RD35 7750	120 kΩ	HX61 0940
470 Ω	RD35 5470	82 kΩ	RD35 7820	220 kΩ	HX61 0970
510 Ω	RD35 5510	91 kΩ	RD35 7910	390 kΩ	HX61 1000
560 Ω	RD35 5560	100 kΩ	RD35 8100	560 Ω	HX61 1010
620 Ω	RD35 5620	120 kΩ	RD35 8120	1.0 MΩ	HX61 1070
680 Ω	RD35 5680	150 kΩ	RD35 8150		
820 Ω	RD35 5820	160 kΩ	RD35 8160		
910 Ω	RD35 5910	180 kΩ	RD35 8180		
1.0 kΩ	RD35 6100	200 kΩ	RD35 8200		
1.1 kΩ	RD35 6110	220 kΩ	RD35 8220		
1.2 kΩ	RD35 6120	270 kΩ	RD35 8270		
1.3 kΩ	RD35 6130	300 kΩ	RD35 8300		
1.5 kΩ	RD35 6150	330 kΩ	RD35 8330		
1.6 kΩ	RD35 6160	390 kΩ	RD35 8390		
1.8 kΩ	RD35 6180	430 kΩ	RD35 8430		
2.0 kΩ	RD35 6200	470 kΩ	RD35 8470		
2.2 kΩ	RD35 6220	510 kΩ	RD35 8510		
2.4 kΩ	RD35 6240	680 kΩ	RD35 8680		
2.7 kΩ	RD35 6270	1.0 MΩ	RD35 9100		
3.0 kΩ	RD35 6300	1.5 MΩ	RD35 9150		
3.3 kΩ	RD35 6330	2.2 MΩ	RD35 9220		
3.6 kΩ	RD35 6360	4.7 MΩ	RD35 9470		
3.9 kΩ	RD35 6390	10 MΩ	RD35 A100		

DVD-S540/DV-S5650

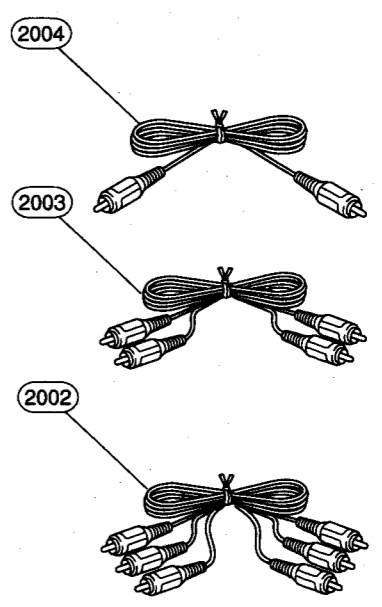
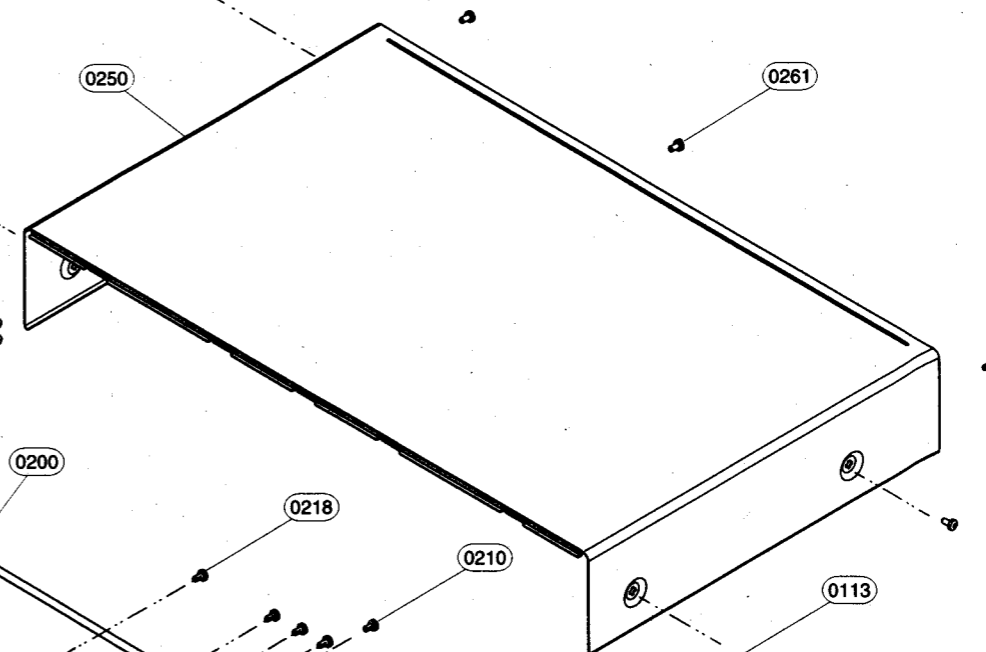
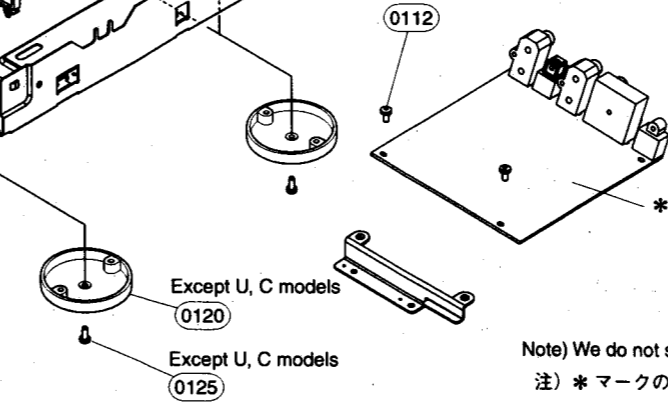
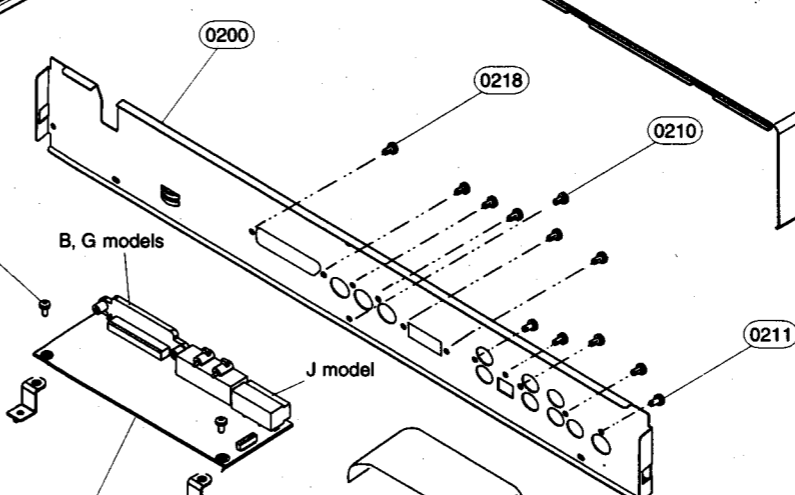
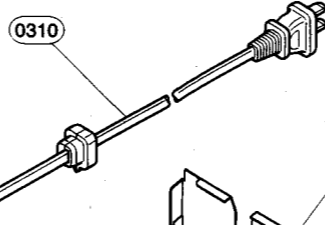
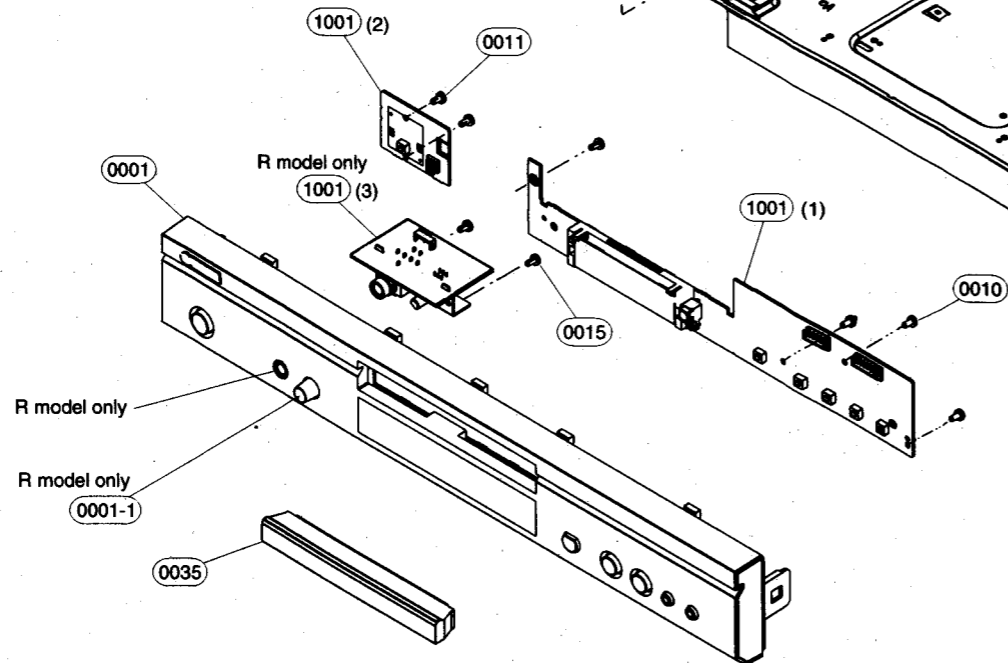
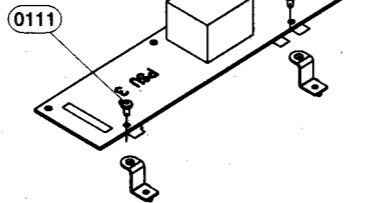
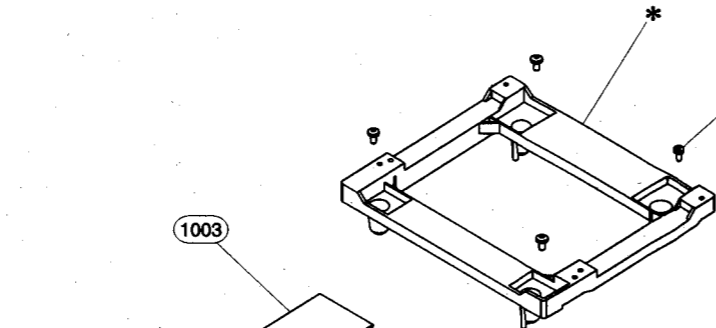
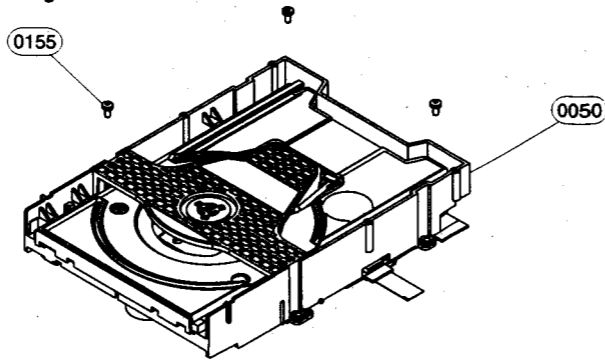
EXPLODED VIEW

When disassembling, use the special screw driver with tip shape in figure.
分解には図のような特殊ドライバーを使用します。

T10 2.7 mm



Note) The battery cover is not available.



Note) We do not supply those parts marked *
注) * マークの部品は供給できません。

■ WARNING

- Components having special characteristics are marked △ and must be replaced with parts having specifications equal to those originally installed.
- △印のある部分は、安全確保部品を示しています。部品の交換が必要な場合、パーツリストに記載されている部品を使用してください。

■ MECHANICAL PARTS

Ref. No.	PART NO.	Description	Remarks	Markets	部品名	Rank	
* 0001	AA50710	FRONT PANEL ASS'Y	S540GD	3139 247 59441	JTK	フロントパネルASSY	
* 0001	AA50640	FRONT PANEL ASS'Y	S540GD	3139 247 58791	R	フロントパネルASSY	
* 0001	AA50750	FRONT PANEL ASS'Y	S540BL	3139 247 59481	UCAP	フロントパネルASSY	
* 0001	AA50700	FRONT PANEL ASS'Y	S540BL	3139 247 59241	BG	フロントパネルASSY	
* 0001	AA50730	FRONT PANEL ASS'Y	S540SI	3139 247 59461	JCTP	フロントパネルASSY	
* 0001	AA50650	FRONT PANEL ASS'Y	S540SI	3139 247 58811	R	フロントパネルASSY	
* 0001	AA50690	FRONT PANEL ASS'Y	S540SI	3139 247 59231	BG	フロントパネルASSY	
* 0001	AA50680	FRONT PANEL ASS'Y	S540TI	3139 247 59211	G	フロントパネルASSY	
* 0001	AA50740	FRONT PANEL ASS'Y	S5650BL	3139 247 59471	UC	フロントパネルASSY	
* 0001	AA50670	FRONT PANEL ASS'Y	S5650BL	3139 247 59201	G	フロントパネルASSY	
* 0001	AA50720	FRONT PANEL ASS'Y	S5650SI	3139 247 59451	UA	フロントパネルASSY	
* 0001	AA50660	FRONT PANEL ASS'Y	S5650SI	3139 247 59191	G	フロントパネルASSY	
* 0001-1	AA50780	VOLUME KNOB	GD KOK	3139 247 58781	R	ボリュームツマミ	
* 0001-1	AA50770	VOLUME KNOB	BL KOK	3139 247 58771	R	ボリュームツマミ	
* 0010	AA23630	PAN HEAD TORX P-TITE SCREW	3x10 MFZN2BL	2511 076 50013		ナベトルクスPタイトネジ	
* 0011	AA23630	PAN HEAD TORX P-TITE SCREW	3x10 MFZN2BL	2511 076 50013		ナベトルクスPタイトネジ	
* 0015	AA23630	PAN HEAD TORX P-TITE SCREW	3x10 MFZN2BL	2511 076 50013		ナベトルクスPタイトネジ	
* 0035	AA50580	TRAY COVER	S540GD	3139 247 59281	JRTK	トレーカバー	
* 0035	AA50600	TRAY COVER	S540BL	3139 247 59301	UCAP	トレーカバー	
* 0035	AA50550	TRAY COVER	S540BL	3139 247 58901	BG	トレーカバー	
* 0035	AA50590	TRAY COVER	S540SI, S5650SI	3139 247 59291	JCRTP	トレーカバー	
* 0035	AA50560	TRAY COVER	S540SI, S5650SI	3139 247 58911	BG	トレーカバー	
* 0035	AA50540	TRAY COVER	S540TI	3139 247 58891	G	トレーカバー	
* 0035	AA50570	TRAY COVER	S5650BL	3139 247 59261	UC	トレーカバー	
* 0035	AA50530	TRAY COVER	S5650BL	3139 247 58821	G	トレーカバー	
* 0050	AA50280	DVD MECHANISM (BASIC ENGINE)	A97SL (NO SERVO)	3141 018 03811		DVDメカニズム	
* 0110	AA23640	PAN HEAD TORX S-TITE SCREW	3x6 MFZN2BL	2511 077 00039		ナベトルクスSタイトネジ	
* 0111	AA23640	PAN HEAD TORX S-TITE SCREW	3x6 MFZN2BL	2511 077 00039		ナベトルクスSタイトネジ	
* 0112	AA23640	PAN HEAD TORX S-TITE SCREW	3x6 MFZN2BL	2511 077 00039		ナベトルクスSタイトネジ	
* 0113	AA23650	PAN HEAD TORX S-TITE SCREW	3x6 MFN133	2511 077 01039		ナベトルクスSタイトネジ	
* 0113	AA23640	PAN HEAD TORX S-TITE SCREW	3x6 MFZN2BL	2511 077 00039		ナベトルクスSタイトネジ	
* 0118	AA23640	PAN HEAD TORX S-TITE SCREW	3x6 MFZN2BL	2511 077 00039		ナベトルクスSタイトネジ	
* 0120	AA50930	FOOT	GD	3139 247 59101	JRTK	脚	
* 0120	AA50910	FOOT	SI, TI	3139 247 55521	RTBGP	脚	
* 0120	AA50920	FOOT	BL	3139 247 55571	ABGP	脚	
* 0125	AA23640	PAN HEAD TORX S-TITE SCREW	3x6 MFZN2BL	2511 077 00039		ナベトルクスSタイトネジ	
* 0155	AA23630	PAN HEAD TORX P-TITE SCREW	3x10 MFZN2BL	2511 076 50013	R	ナベトルクスPタイトネジ	
* 0200	AA50860	REAR PANEL	S540	3139 247 58721	J	リアパネル	
* 0200	AA50880	REAR PANEL	S540	3139 247 58741	UC	リアパネル	
* 0200	AA50840	REAR PANEL	S540	3139 247 58701	RK	リアパネル	
* 0200	AA50790	REAR PANEL	S540	3139 247 58651	T	リアパネル	
* 0200	AA50870	REAR PANEL	S540	3139 247 58731	A	リアパネル	
* 0200	AA50810	REAR PANEL	S540	3139 247 58671	BG	リアパネル	
* 0200	AA50850	REAR PANEL	S540	3139 247 58711	P	リアパネル	
* 0200	AA50830	REAR PANEL	S5650	3139 247 58691	UC	リアパネル	
* 0200	AA50820	REAR PANEL	S5650	3139 247 58681	A	リアパネル	
* 0200	AA50800	REAR PANEL	S5650	3139 247 58661	G	リアパネル	
* 0210	AA23640	PAN HEAD TORX S-TITE SCREW	3x6 MFZN2BL	2511 077 00039	JBG	ナベトルクスSタイトネジ	
* 0211	AA23630	PAN HEAD TORX P-TITE SCREW	3x10 MFZN2BL	2511 076 50013		ナベトルクスPタイトネジ	
* 0218	AA23630	PAN HEAD TORX P-TITE SCREW	3x10 MFZN2BL	2511 076 50013	JBG	ナベトルクスPタイトネジ	
* 0250	AA39740	TOP COVER	GD	3139 247 56441		トップカバー	
* 0250	AA39750	TOP COVER	BL	3139 247 56451		トップカバー	
* 0250	AA39730	TOP COVER	SI, TI	3139 247 56431		トップカバー	

* New Parts (新規部品)

Note) Those parts marked with "#" are not included in the P.C.B. ass'y. (マーク#の部品は、基板に含まれません)

Ref. No.	PART NO.	Description	Remarks	Markets	部品名	Rank		
* 0261	AA23640	PAN HEAD TORX S-TITE SCREW	3x6 MFZN2BL	2511 077 00039		ナベトルクスSタイトネジ		
△	0310	V2723100	POWER CABLE	1.8m	J	電源コード	07	
△*	0310	V2363800	POWER CABLE	2m	UC	電源コード		
△	0310	VZ542500	POWER CABLE	2m	RP	電源コード	05	
△*	0310	WB120600	POWER CABLE	2m	T	電源コード		
△*	0310	V8013000	POWER CABLE	2m	K	電源コード		
△	0310	V2296800	POWER CABLE	2m	A	電源コード		
△	0310	VV437300	POWER CABLE	2m	B	電源コード	08	
△	0310	VN363700	POWER CABLE	2m	G	電源コード	04	
* 1001	AA50420	P.C.B. ASS'Y	FRONT	3139 248 82661	JUCTKABGP	P C B フロント		
* 1001	AA50410	P.C.B. ASS'Y	FRONT	3139 248 82651	R	P C B フロント		
* 1002	AA50390	P.C.B. ASS'Y	VIDEO	3139 248 82671	J	P C B ビデオ		
* 1002	AA50400	P.C.B. ASS'Y	VIDEO	3139 248 82681	BG	P C B ビデオ		
△*	1003	AA50960	POWER SUPPLY UNIT	VFM2003 WR MIT	3139 248 71722	RTKAP	電源ユニット	
△*	1003	AA50980	POWER SUPPLY UNIT	VFM2003 US MIT	3139 248 71742	JUC	電源ユニット	
△*	1003	AA50970	POWER SUPPLY UNIT	VFM2003 EU MIT	3139 248 71731	BG	電源ユニット	
* 1105	AA50450	FLEXIBLE FOIL CONNECTION	24P 220mm P=0.5mm	3139 241 00341	JBG	カード電線		
		ACCESSORY				付属品		
* 2000	AA50890	REMOTE CONTROL	NON-KOK	3139 248 71871	JUCTKABGP	リモコン		
* 2000	AA50900	REMOTE CONTROL	KOK	3139 248 71901	R	リモコン		
* 2002	AA23450	AUDIO/VIDEO CABLE	YE/RD/WH 1.5m 1pc	2422 076 00304	JUCRTKAP	音声/映像ピンケーブル		
* 2003	AA21980	AUDIO PIN CABLE	RD/WH 1.5m 1pc	3103 308 92611	BG	ステレオピンケーブル		
* 2004	AA22970	VIDEO CABLE	YE 1.5m 1pc	3104 108 45432	BG	ビデオ用ピンケーブル		
		BATTERY				乾電池		

* New Parts (新規部品)

Note) Those parts marked with "#" are not included in the P.C.B. ass'y. (マーク#の部品は、基板に含まれません)

MEMO

DVD-S540/DV-S5650



YAMAHA

