

# STR-D515/D615

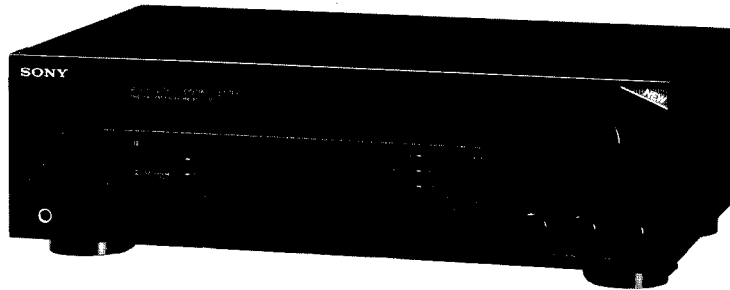
## SERVICE MANUAL

*US Model  
Canadian Model  
AEP Model  
Australian Model*

STR-D515/D615

*E Model*

STR-D615



This photo is STR-D615.

### SPECIFICATIONS

(For US and Canadian models)

#### Audio Power Specifications

##### POWER OUTPUT AND TOTAL HARMONIC DISTORTION

With 8-ohm load, both channels driven, from 40 - 20,000 Hz, rated 100 watts (STR-D615) or 70 watts (STR-D515) per channel minimum RMS power, with less than 0.8% total harmonic distortion from 250 milliwatts to rated output.

SUR (surround) MODE (8 ohms, less than 0.8% total harmonic distortion)

	STR-D615	STR-D515
FRONT	70W+70W	70W+70W
CENTER (only in the DOLBY mode)	70W	20W
REAR (PARALLEL USE)	20 W	20W

#### Other Specifications

##### Amplifier section

Continuous RMS power output (8 ohms, at 40 Hz - 20 kHz less than 0.8% total harmonic distortion) (FRONT)

STR-D615: 100W+100W

STR-D515: 70W+70W

Dynamic power (at 1 kHz IHF) (FRONT)

STR-D615: 140W+140W(8 ohms), 210W+210W(4 ohms)

STR-D515: 75W+75W(8 ohms), 140W+140W(4 ohms)

##### Harmonic distortion

Less than 0.8% at rated output

##### Frequency response

PHONO: RIAA equalization curve  $\pm 0.5$  dB

CD

VIDEO

TAPE

10 Hz - 50 kHz  $\pm 1$  dB

##### Inputs

	Sensitivity	Impedance	S/N (weighting network, input level)
PHONO	2.5 mV	50 kilohms	-75dB -75dB*(A, 2.5mV)
CD	300 mV	50 kilohms	82dB 82dB*(A, 500mV)
VIDEO, TV/LD, TAPE/MD	250mV		

\* '78 IHF

##### Outputs

REC OUT, VIDEO (AUDIO) OUT	Voltage 250mV Impedance 10 kilohms
HEADPHONES	Accepts low and high impedance headphones

##### Tone controls

BASS:  $\pm 8$  dB at 100 Hz

TREBLE:  $\pm 8$  dB at 10 kHz

##### Muting

-20 dB

##### DBFB

+10 dB at 70 Hz

—Continued on next page—

FM STEREO/FM-AM RECEIVER  
**SONY**®

### Video section

INPUT	VIDEO, TV/LD	1 Vp-p 75 ohms
OUTPUT	VIDEO MONITOR	1 Vp-p 75 ohms

### Tuner section

	FM tuner section	AM tuner section
Tuning range	87.5 — 108 MHz	530 — 1710 kHz (10 kHz step) 531 — 1602 kHz (9 kHz step)
Antenna terminals	300 ohms, balanced 75 ohms, unbalanced	External antenna terminal
Sensitivity at 50 dB quieting	18.3 dBf, 4.5 μV (mono) 38.3 dBf, 45 μV (stereo)	—
Usable sensitivity	11.2 dBf, 2 μV (IHF)	Loop antenna: 500 μV (at 1,000 kHz)
Signal-to-noise ratio	76 dB (mono) 70 dB (stereo)	54 dB (at 50 mV/m)
Harmonic distortion	0.3% (mono), 0.5% (stereo) at 1 kHz	0.5% (at 50 mV/m, 400 Hz)
Selectivity	60 dB at 400 kHz	40 dB at 10 kHz
Separation	45 dB at 1 kHz	—
Frequency response	30 Hz — 15 kHz +0.5 dB -2	—

### General

#### System

Tuner section: PLL quartz-locked digital synthesizer system

Preamplifier section: low-noise NF type equalizer amp

Power amplifier section: pure complementary SEPP

#### Power requirements

120 V AC, 60 Hz

#### Power consumption

US model: 186W (STR-D615)

170W (STR-D515)

Canadian model: 290VA (STR-D615)

195W (STR-D515)

#### AC outlet

One switched (120 W/1A Max.)

#### Dimensions

Approx. 430 x 135 x 295 mm (w/h/d)

(17 x 5 3/8 x 11 5/8 inches)

including projecting parts and controls

#### Mass

Approx. 7.2kg (16lb 2 oz) (STR-D615)

Approx. 6.3kg (13lb 15 oz) (STR-D515)

#### Accessories supplied

FM wire antenna (1)

AM loop antenna (1)

Remote Commander RM-U242 (1)

Sony batteries SUM-3(NS) (2)

Design and specifications are subject to change without notice.

### (For AEP2, E and Australian models)

#### Amplifier section

Continuous RMS power output (8 ohms (EXCEPT AEP1, G) 4Ω(AEP1, G), at 1 kHz less than 0.8% total harmonic distortion) (FRONT)

STR-D615: 80W+80W (EXCEPT AEP1, G)

110W+110W (4Ω)(AEP1, G)

STR-D515: 60W+60W (EXCEPT AEP1, G)

85W+85W (4Ω)(AEP1, G)

#### Harmonic distortion

Less than 0.8% at rated output

SUR (surround) MODE (8 ohms, less than 0.8% total harmonic distortion)

	STR-D615	STR-D515
FRONT	50W+50W (70W+70W)	60W+60W (85W+85W)
CENTER (only in the DOLBY mode)	50W (70W)	20W (20W)
REAR (PARALLEL USE)	20 W	20W

( ) : AEP1, G

#### Frequency response

PHONO: RIAA equalization curve ±0.5 dB

CD

VIDEO

TAPE

10 Hz - 50 kHz ±1 dB

#### Inputs

	Sensitivity	Impedance	S/N (weighting network, input level)
PHONO	2.5 mV	50 kilohms	75dB 75dB*(A, 5.0mV)
CD	300 mV	50 kilohms	82dB 82dB*(A, 500mV)
VIDEO, TV/LD, TAPE/MD	250mV		

\* '78 IHF

#### Outputs

REC OUT, VIDEO (AUDIO) OUT	Voltage 250mV Impedance 10 kilohms
HEADPHONES	Accepts low and high impedance headphones

#### Tone controls

BASS: ±8 dB at 100 Hz

TREBLE: ±8 dB at 10 kHz

#### Muting

-20 dB

#### DBFB

+10 dB at 70 Hz

#### Video section

INPUT	VIDEO, TV/LD	1 Vp-p 75 ohms
OUTPUT	VIDEO MONITOR	1 Vp-p 75 ohms

## Tuner section

	FM tuner section	AM tuner section
Tuning range	87.5 — 108 MHz	531 — 1,602 kHz
Antenna terminals	300 ohms, balanced 75 ohms, unbalanced	External antenna terminal
Sensitivity at 46 dB quieting	18.3 dBf, 2.25 $\mu$ V (mono) 38.3 dBf, 22.5 $\mu$ V (stereo)	—
Usable sensitivity	11.2 dBf, 2 $\mu$ V (IHF)	Loop antenna: 500 $\mu$ V (at 999 kHz)
Signal-to-noise ratio	70 dB (mono) 66 dB (stereo)	54 dB (at 50 mV/m)
Harmonic distortion	0.3% (mono), 0.5% (stereo) at 1 kHz	0.5% (at 50 mV/m, 400 Hz)
Selectivity	60 dB at 400 kHz	30 dB at 9 kHz
Separation	45 dB at 1 kHz	—
Frequency response	30 Hz — 15 kHz +0.5 dB -2	—

## General

### System

Tuner section: PLL quartz-locked digital synthesizer system  
 Preamplifier section: low-noise NF type equalizer amp  
 Power amplifier section: pure complementary SEPP

### Power requirements

220—230V AC, 50/60Hz (for AEP model)  
 120/220/240V, 50/60Hz (for E model)  
 240V AC, 50Hz (for Australian model)

### Power consumption

165W (EXCEPT AEP1, G)  
 225W (AEP1, G)  
 In standby condition: 5 W

### AC outlet

One switched (100 W Max.)

### Dimensions

Approx. 430 x 135 x 295 mm (w/h/d)  
 (17 x 5 $\frac{3}{8}$  x 11 $\frac{5}{8}$  inches)  
 including projecting parts and controls

### Mass

Approx. 6.9 kg (15 lb 4 oz) (STR-D615)  
 Approx. 6.4 kg (14 lb 2 oz) (STR-D515)

### Accessories supplied

FM wire antenna (1)  
 AM loop antenna (1)  
 Remote Commander RM-P342 (1)  
 Sony batteries SUM-3(NS) (2)

Design and specifications are subject to change without notice.

### SAFETY-RELATED COMPONENT WARNING!!

COMPONENTS IDENTIFIED BY MARK  $\triangle$  OR DOTTED LINE WITH MARK  $\triangle$  ON THE SCHEMATIC DIAGRAMS AND IN THE PARTS LIST ARE CRITICAL TO SAFE OPERATION. REPLACE THESE COMPONENTS WITH SONY PARTS WHOSE PART NUMBERS APPEAR AS SHOWN IN THIS MANUAL OR IN SUPPLEMENTS PUBLISHED BY SONY.

## SAFETY CHECK-OUT (US Model)

After correcting the original service problem, perform the following safety check before releasing the set to the customer:

Check the antenna terminals, metal trim, "metallized" knobs, screws, and all other exposed metal parts for AC leakage. Check leakage as described below.

### LEAKAGE TEST

The AC leakage from any exposed metal part to earth ground and from all exposed metal parts to any exposed metal part having a return to chassis, must not exceed 0.5 mA (500 microamperes). Leakage current can be measured by any one of three methods.

1. A commercial leakage tester, such as the Simpson 229 or RCA WT-540A. Follow the manufacturers' instructions to use these instruments.
2. A battery-operated AC milliammeter. The Data Precision 245 digital multimeter is suitable for this job.
3. Measuring the voltage drop across a resistor by means of a VOM or battery-operated AC voltmeter. The "limit" indication is 0.75 V, so analog meters must have an accurate low-voltage scale. The Simpson 250 and Sanwa SH-63Trd are examples of a passive VOM that is suitable. Nearly all battery operated digital multimeters that have a 2V AC range are suitable. (See Fig. A)

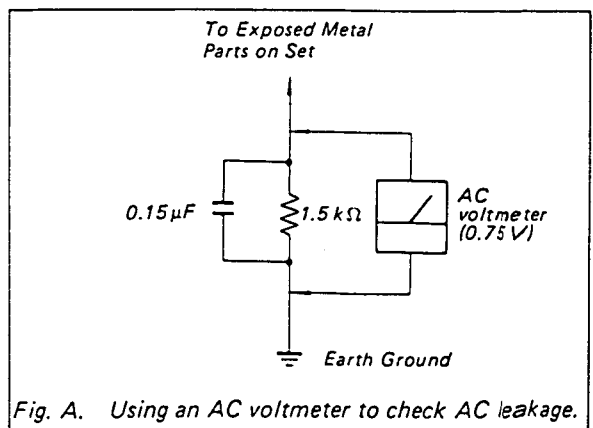


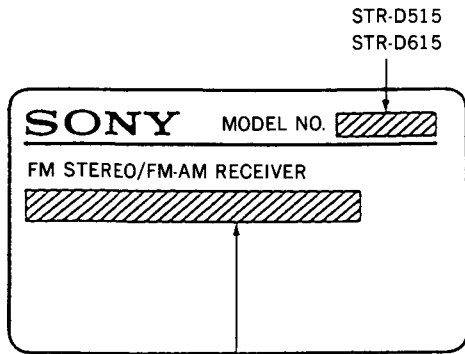
Fig. A. Using an AC voltmeter to check AC leakage.

### ATTENTION AU COMPOSANT AYANT RAPPORT À LA SÉCURITÉ!

LES COMPOSANTS IDENTIFIÉS PAR UNE MARQUE  $\triangle$  SUR LES DIAGRAMMES SCHÉMATIQUES ET LA LISTE DES PIÈCES SONT CRITIQUES POUR LA SÉCURITÉ DE FONCTIONNEMENT. NE REMPLACER CES COMPOSANTS QUE PAR DES PIÈCES SONY DONT LES NUMÉROS SONT DONNÉS DANS CE MANUEL OU DANS LES SUPPLÉMENTS PUBLIÉS PAR SONY.

**MODEL IDENTIFICATION**

—Specification Label—



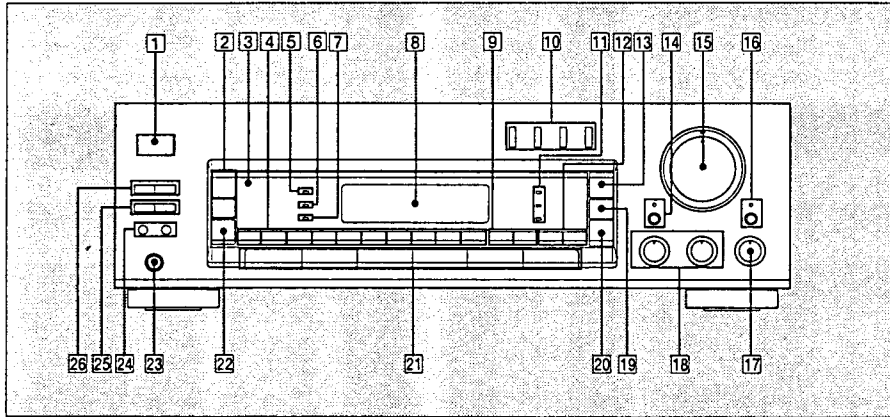
US, Canadian model : AC 120V 60Hz  
 AEP model : AC 220—230V 50/60Hz  
 Australian model : AC 240V 50Hz  
 E model : AC 120/220/240V~50/60Hz

**TABLE OF CONTENTS**

<u>Section</u>	<u>Title</u>	<u>Page</u>
<b>1. GENERAL</b>		
	• Identifying the Parts and Controls .....	5
<b>2. DIAGRAMS</b>		
2-1.	Circuit Boards Location .....	6
2-2.	Semiconductor Lead Layouts .....	8
2-3.	Printed Wiring Boards—Main Section (D515)— .....	9
2-4.	Printed Wiring Boards—Main Section (D615)— .....	13
2-5.	Schematic Diagram—Main Section— .....	17
2-6.	Schematic Diagram—Display Section— .....	21
2-7.	Printed Wiring Boards—Display Section— .....	25
<b>3. EXPLODED VIEWS</b>		
3-1.	Front Panel Section .....	29
3-2.	Chassis Section .....	30
<b>4. ELECTRICAL PARTS LIST</b>		<b>32</b>

## Identifying the Parts and Controls

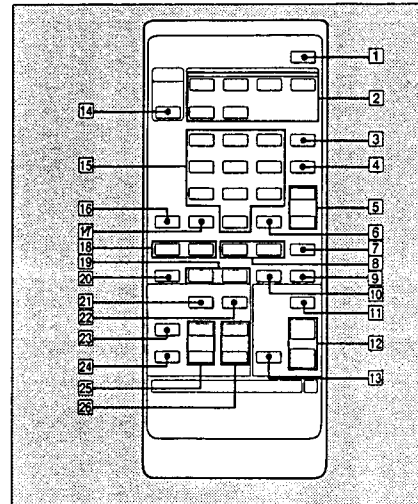
### Front Panel



- 1 POWER switch
- 2 FM/AM band selectors (See pages 9 and 10.)
- 3 Remote sensor
- 4 Numeric buttons (See pages 9, 10 and 11.)
- 5 STANDBY indicator  
(for U.K. and Australian models only)  
The STANDBY indicator lights up when the power cord is connected and the POWER switch is set to off.
- 6 VIDEO indicator
- 7 TV/LD indicator (See page 10.)
- 8 Display window
- 9 TUNING  $\rightarrow$ / $\leftarrow$  buttons (See page 10.)
- 10 SUR (surround) ON/OFF button  
(See pages 15, 17 and 18.)  
SUR (surround) MODE button  
(See pages 15, 17 and 18.)  
CENTER MODE button  
(See pages 15, 16 and 17.)  
DELAY TIME button (See page 18.)
- 11 SUR (surround) MODE indicators (See page 15.)
- 12 PRESET TUNING  $\rightarrow$ / $\leftarrow$  buttons (See page 11.)
- 13 MEMORY button (See page 10.)
- 14 MUTING button and indicator (See page 8.)
- 15 MASTER VOLUME control (See page 8.)
- 16 LOW BOOST button and indicator (See page 8.)
- 17 BALANCE control (See page 8.)
- 18 BASS/TREBLE controls (See page 8.)
- 19 SHIFT button (See pages 10 and 11.)
- 20 DIRECT button (See page 9.)
- 21 Function selectors (See page 8.)
- 22 FM MODE button (See page 9.)
- 23 HEADPHONES jack (See page 8.)
- 24 SPEAKERS A/B buttons (See page 8.)
- 25 REAR LEVEL  $\rightarrow$ / $\leftarrow$  buttons (See pages 17 and 18.)
- 26 CENTER LEVEL  $\rightarrow$ / $\leftarrow$  buttons (See pages 17 and 18.)

## Identifying the Parts and Controls

### Remote Commander (For U.S.A. and Canadian models)



- 1 SYSTEM OFF button (See page 12.)
- 2 SYSTEM CONTROL/FUNCTION TAPE/MD, CD, TUNER, PHONO, VIDEO, TV/LD buttons (See pages 8, 12 and 14.)
- 3 VISUAL POWER button: Turns on/off the power of TV, VTR and LD player. (See page 13.)
- 4 TV/VIDEO selector: Switches the input of TV. (See pages 12 and 13.)
- 5 CH/PRESET  $\rightarrow$ / $\leftarrow$  buttons (See page 13.)
- 6 RMS/START, ENTER button (See pages 12 and 13.)
- 7 ANT TV/VTR, D (disc) SKIP button (See pages 12 and 13.)
- 8  $\llcorner$ ,  $\lrcorner$  button (See pages 12 and 13.)
- 9  $\bullet$  button (See pages 12 and 13.)
- 10  $\parallel$  button (See pages 12 and 13.)
- 11 LOW BOOST button (See pages 8 and 14.)
- 12 MASTER VOL  $\rightarrow$ / $\leftarrow$  buttons (See page 8.)
- 13 MUTING button (See page 8.)

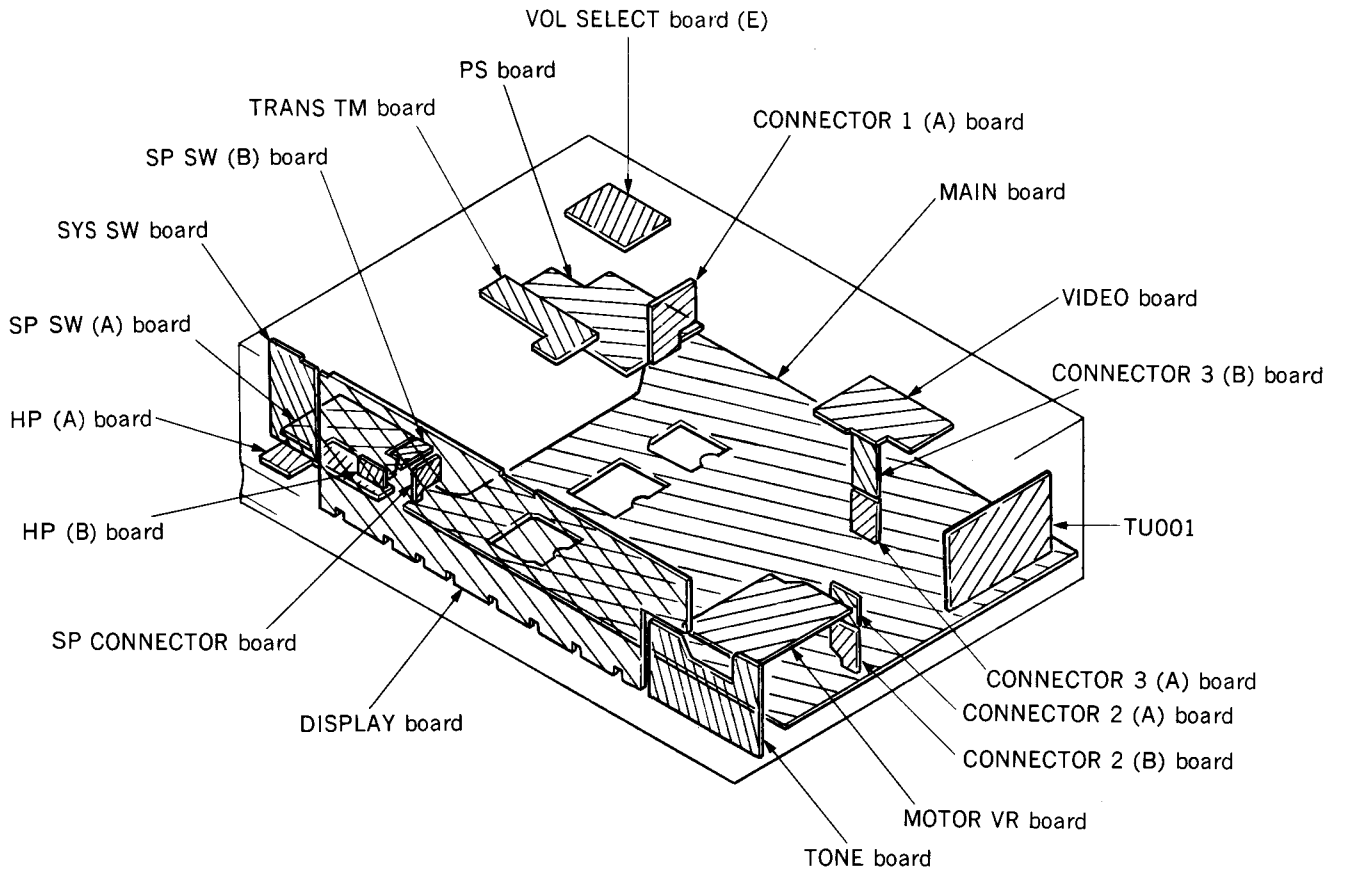
- 14 TV CONTROL ON button (See page 12.)
- 15 Numeric buttons (1 to 0) (See pages 9, 11, 12 and 13.)
- 16 BACK GROUND button (See page 13.)
- 17  $>$  10, SHIFT button (See pages 11, 12 and 13.)
- 18  $\llcorner$ ,  $\lrcorner$  button (See pages 12 and 13.)
- 19  $\llcorner$ ,  $\lrcorner$  RMS DIRECTION buttons (See pages 12 and 13.)
- 20 RMS CLEAR,  $\blacksquare$  button (See pages 12 and 13.)
- 21 SURROUND MODE button (See pages 15, 17 and 18.)
- 22 SURROUND ON/OFF button (See pages 15, 17 and 18.)
- 23 DELAY TIME button (See page 18.)
- 24 TEST TONE button (See page 17.)
- 25 REAR LEVEL  $\rightarrow$ / $\leftarrow$  buttons (See pages 17 and 18.)
- 26 CENTER LEVEL  $\rightarrow$ / $\leftarrow$  buttons (See pages 17 and 18.)

## SECTION 1 GENERAL

This section is extracted from instruction manual.

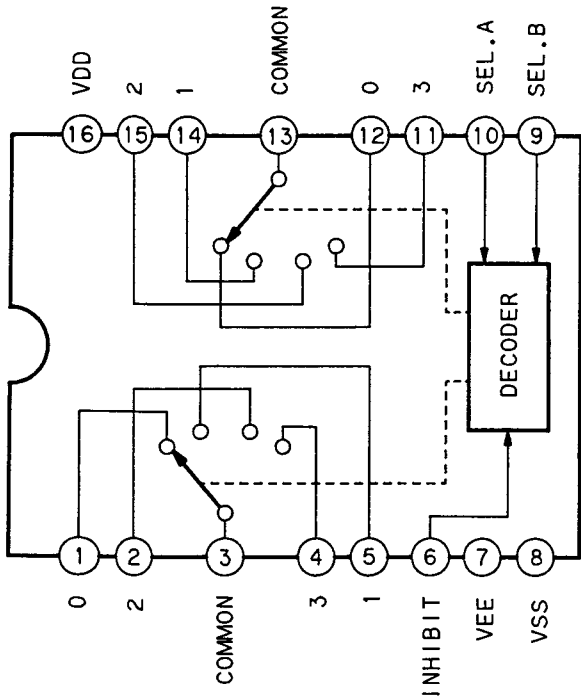
## SECTION 2 DIAGRAMS

### 2-1. CIRCUIT BOARDS LOCATION

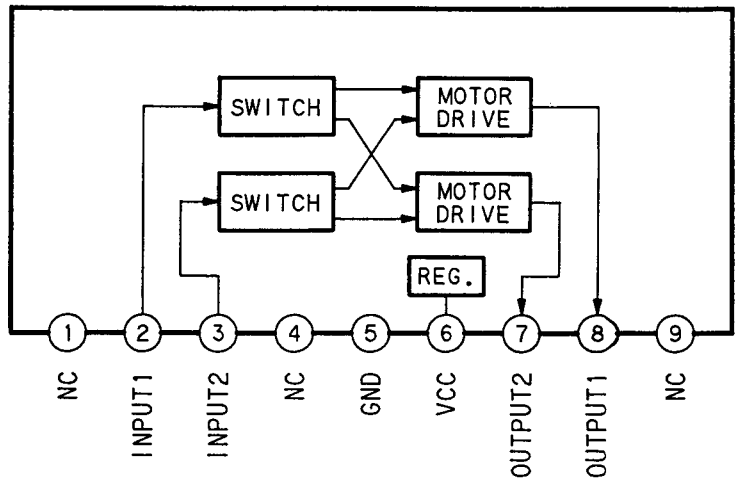


• IC Block Diagrams

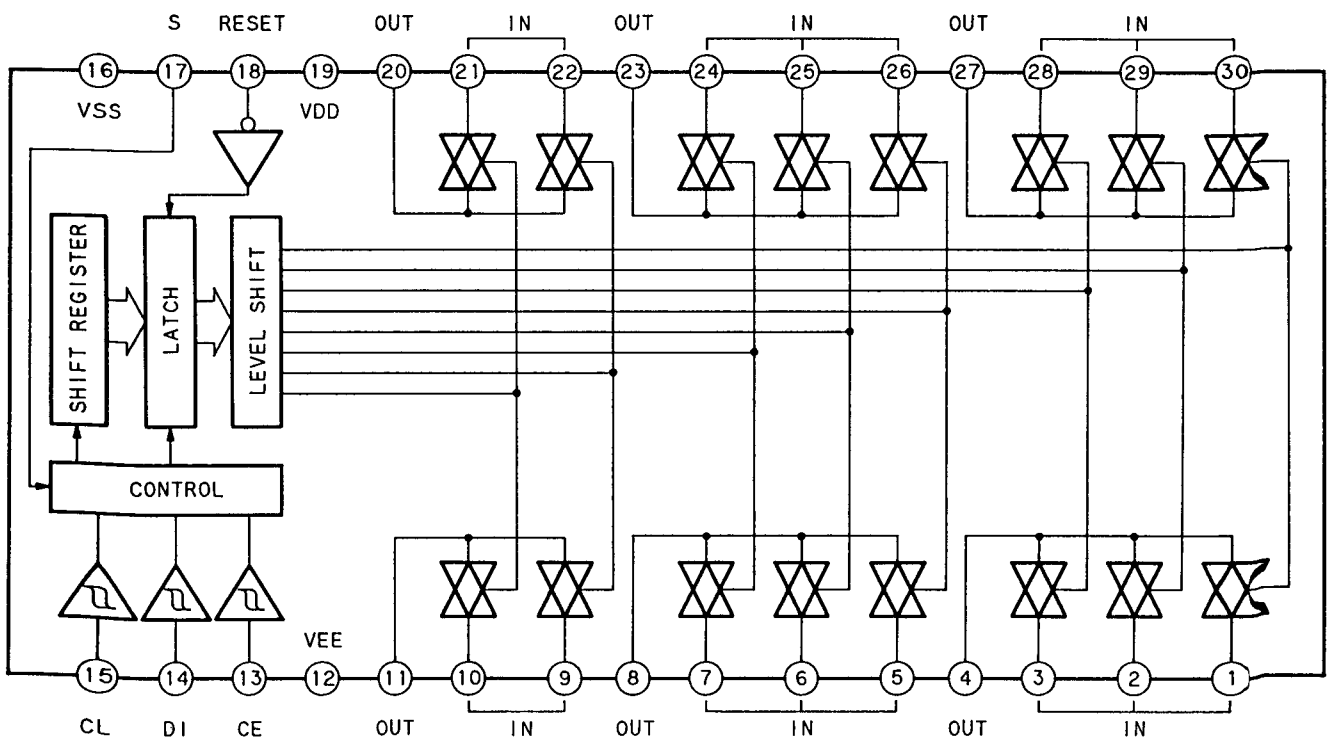
IC251 MC14052BCP



IC203 BA6208

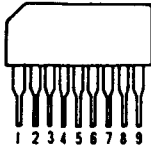


IC401 LC7822

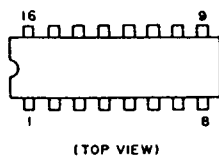


## 2-2. SEMICONDUCTOR LEAD LAYOUTS

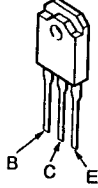
**BA6208**



**MC14052BCP**



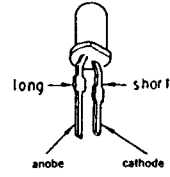
**MP1620-OPY-M**



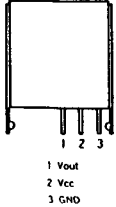
**2SD2012**



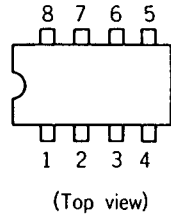
**SEL3210S-CD  
SEL3810A-CD**



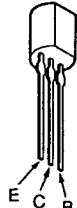
**GP1U58XB**



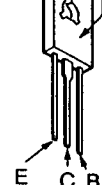
**M5218AP-22**



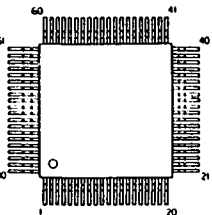
**2SA1175-HFE  
2SC3623A-LK**



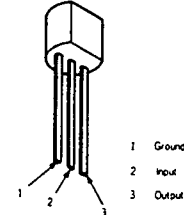
**2SD809-K  
LETTER SIDE**



**HD6433723B87H**



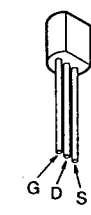
**NJM79L12A**



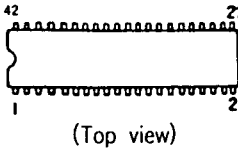
**2SA1221-K  
2SB734-34  
2SC2958**



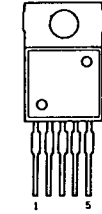
**2SK246-GR3**



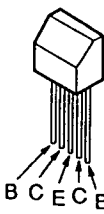
**LA2785**



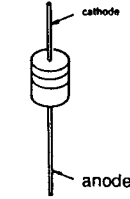
**SI18752**



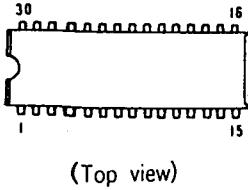
**2SA979-FG**



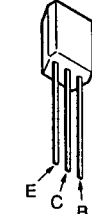
**HZS4ALL  
HZS6C3L  
UZ-5.1BSB  
UZL-24L  
UZL-9H3  
11ES2**



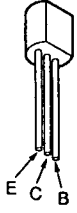
**LC7822**



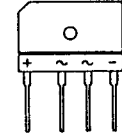
**DTA124ES  
DTC124ES  
2SC403SP-51**



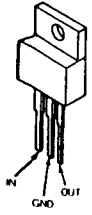
**2SA988-PAFAEA  
2SC1841-PAFAEA**



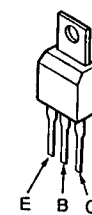
**RBA-402  
RBV-602-01**



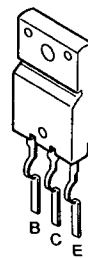
**LM78M12**



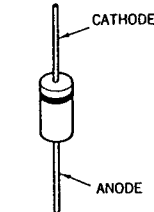
**MN2488-OPY-M**



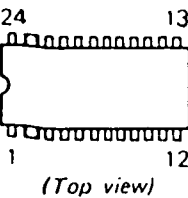
**2SB1588-OPY  
2SD2439-OPY**



**1N4148M  
1S1585**

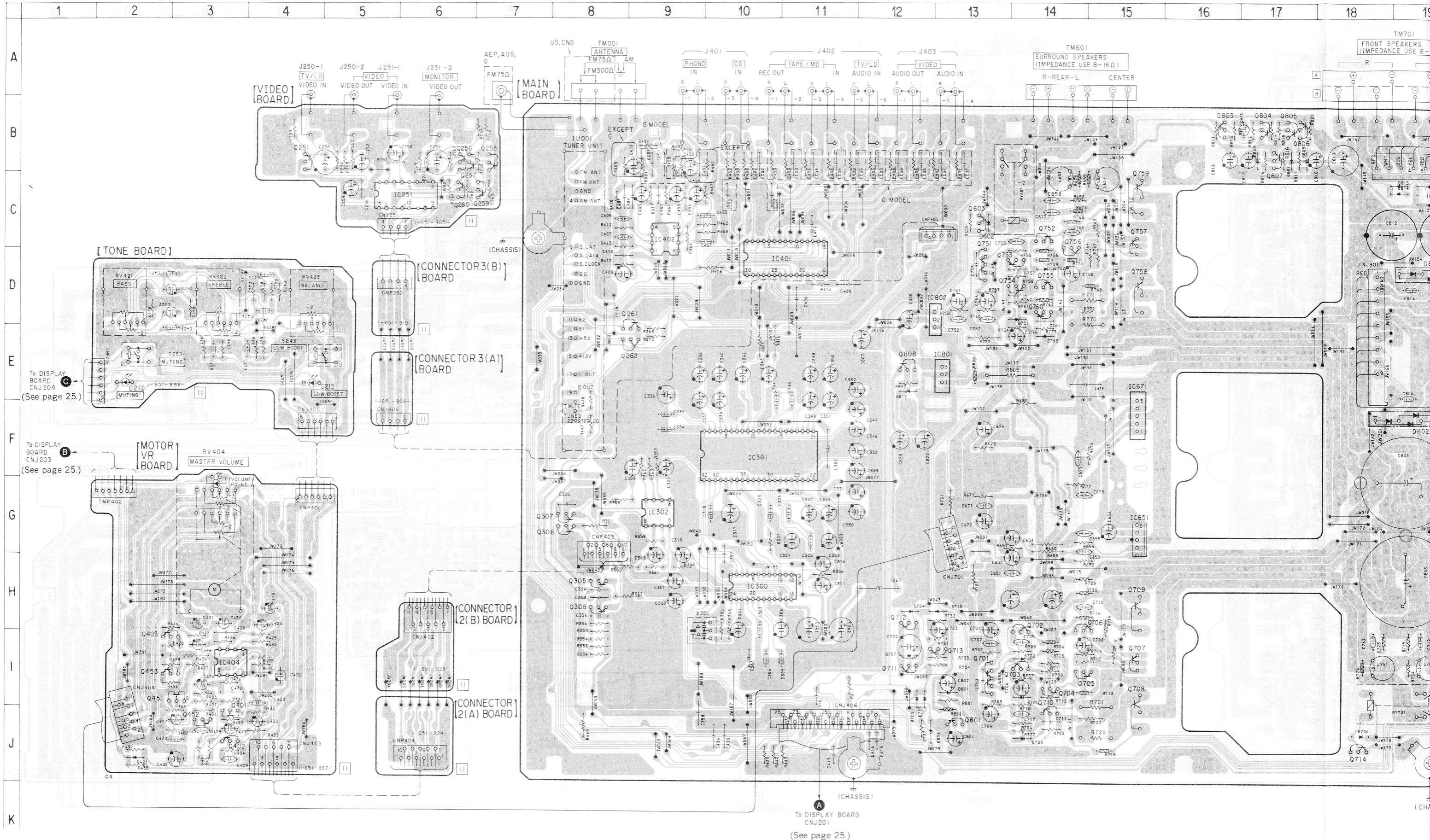


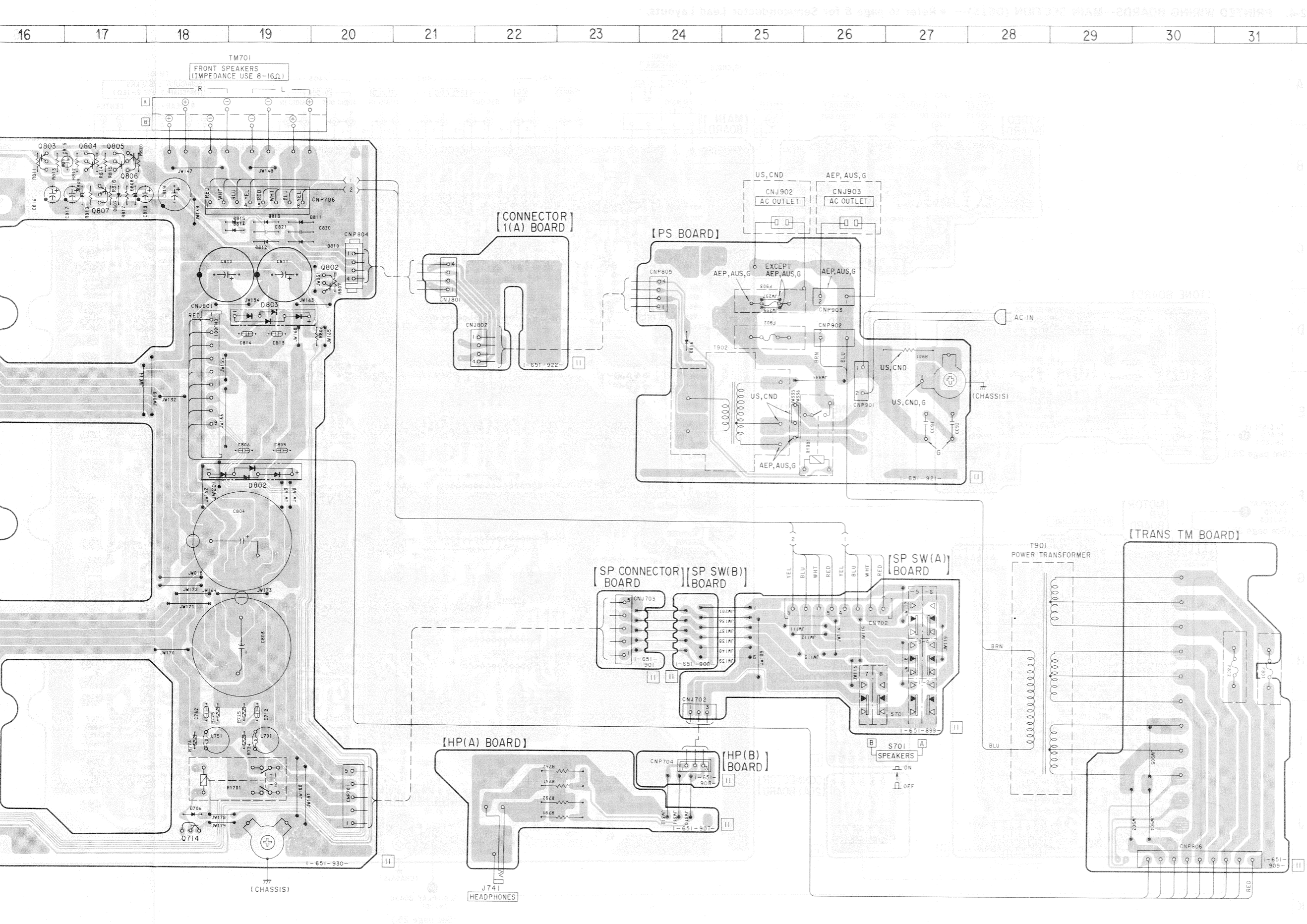
**LV1010**





2-3. PRINTED WIRING BOARDS—MAIN SECTION (D515)—





● Semiconductor Location

Ref. No.	Location	Ref. No.	Location
D212	H-E-2	Q259	C-6
D213	B-E-4	Q260	C-6
D421	B-J-2	Q261	D-8
D602	H-C-13	Q262	E-8
D701	H-I-14	Q305	H-8
D702	H-I-14	Q306	G-8
D703	H-J-14	Q307	G-8
D704	H-H-12	Q308	H-8
D706	H-I-18	Q401	J-3
D707	H-I-12	Q402	J-3
D708	H-I-12	Q403	H-2
D709	H-I-12	Q451	I-2
D710	H-H-12	Q452	I-2
D751	D-D-13	Q453	J-3
D752	D-D-14	Q603	C-13
D753	E-E-14	Q701	H-13
D801	H-I-13	Q702	H-14
D802	H-D-19	Q703	I-13
D803	F-F-19	Q704	I-14
D804	H-J-12	Q705	I-14
D807	H-B-17	Q706	H-14
D808	H-B-17	Q707	I-15
D809	H-B-17	Q708	I-15
D810	H-C-19	Q709	H-15
D811	H-C-19	Q710	H-14
D812	H-C-19	Q711	I-12
D813	H-C-19	Q712	H-12
D814	H-C-18	Q713	I-13
D815	H-C-18	Q714	I-18
D816	H-D-24	Q751	C-13
D817	H-E-12	Q752	C-14
		Q753	D-13
IC251	H-C-5	Q754	D-13
IC300	H-F-10	Q755	D-14
IC301	H-F-10	Q756	C-14
IC302	H-G-9	Q757	C-15
IC401	H-D-10	Q758	D-15
IC402	H-C-9	Q759	C-15
IC404	H-I-3	Q760	D-14
IC651	H-G-15	Q801	J-13
IC671	H-E-15	Q802	C-20
IC801	H-E-12	Q803	B-16
IC802	H-D-12	Q804	B-17
		Q805	B-17
		Q806	B-17
		Q807	B-17
		Q808	E-12

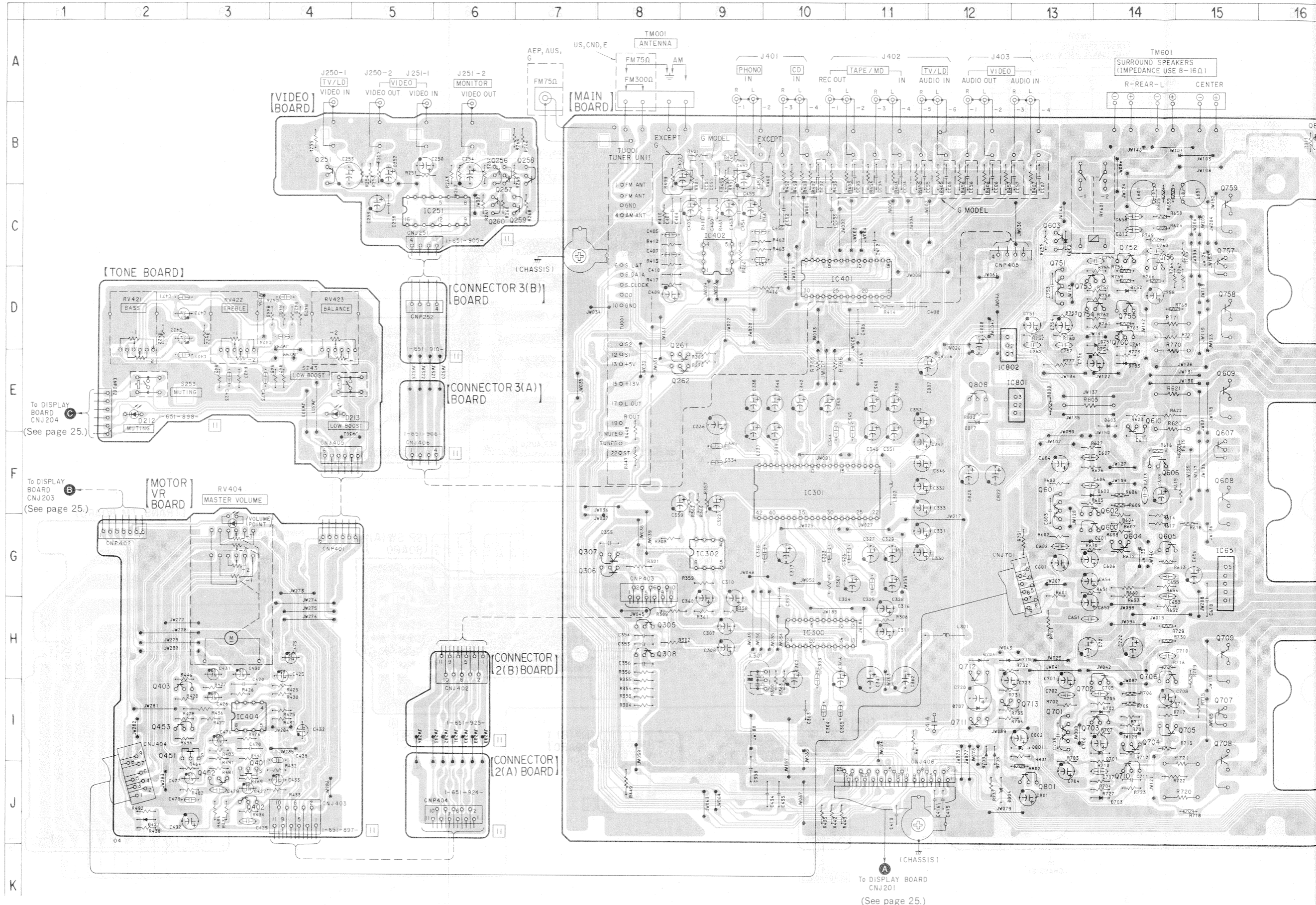
Note:

- : parts extracted from the component side.
- ◐ : Pattern on the side which is seen.
- Abbreviations:
  - CND : Canadian model
  - G : German model
  - AUS : Australian model

• Semiconductor Location

Ref. No.	Location	Ref. No.	Location
D212	E-2	Q305	H-8
D213	E-4	Q306	G-8
D421	J-2	Q307	G-8
D600	F-13	Q308	H-8
D601	G-13	Q401	J-3
D602	C-13	Q402	J-3
D603	E-14	Q403	I-2
D701	I-14	Q451	I-2
D702	I-14	Q452	I-2
D703	J-14	Q453	J-3
D704	H-12	Q600	G-13
D706	I-18	Q601	F-13
D707	I-12	Q602	F-13
D708	I-12	Q603	C-13
D709	I-12	Q604	G-14
D710	H-12	Q605	F-14
D751	D-13	Q606	F-14
D752	D-14	Q607	F-15
D753	E-14	Q608	F-15
D801	I-13	Q609	E-15
D802	D-19	Q610	E-14
D803	F-19	Q701	I-13
D804	J-12	Q702	H-14
D807	B-17	Q703	I-13
D808	B-17	Q704	I-14
D809	B-17	Q705	I-14
D810	C-19	Q706	H-14
D811	C-19	Q707	I-15
D812	C-19	Q708	I-15
D813	C-19	Q709	H-15
D814	C-18	Q710	I-14
D815	C-18	Q711	I-12
D816	D-24	Q712	H-12
D817	E-12	Q713	I-13
D818	D-19	Q714	I-18
IC251	C-5	Q752	C-14
IC300	H-10	Q753	D-13
IC301	F-10	Q754	D-13
IC302	G-9	Q755	D-14
IC401	D-10	Q756	C-14
IC402	C-9	Q757	C-15
IC404	I-3	Q758	D-15
IC651	G-15	Q759	C-15
IC801	E-12	Q760	D-14
IC802	D-12	Q801	J-13
		Q802	C-20
Q251	B-4	Q803	B-16
Q256	B-6	Q804	B-17
Q257	B-6	Q805	B-17
Q258	B-7	Q806	B-17
Q259	C-6	Q807	B-17
Q260	C-6	Q808	E-12
Q261	D-8	Q809	E-19
Q262	E-8		

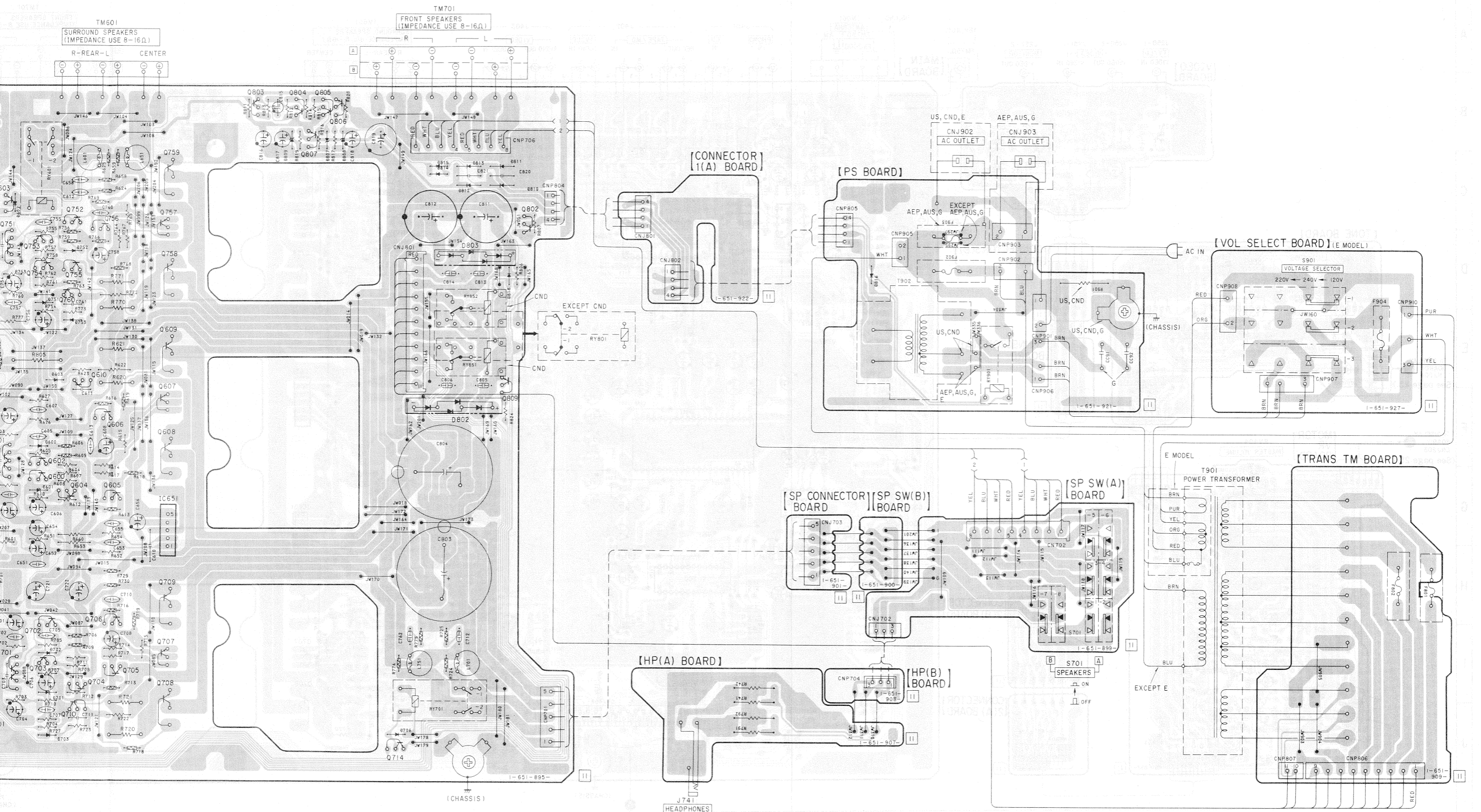
2-4. PRINTED WIRING BOARDS—MAIN SECTION (D615)— • Refer to page 8 for Semiconductor Lead Layouts.



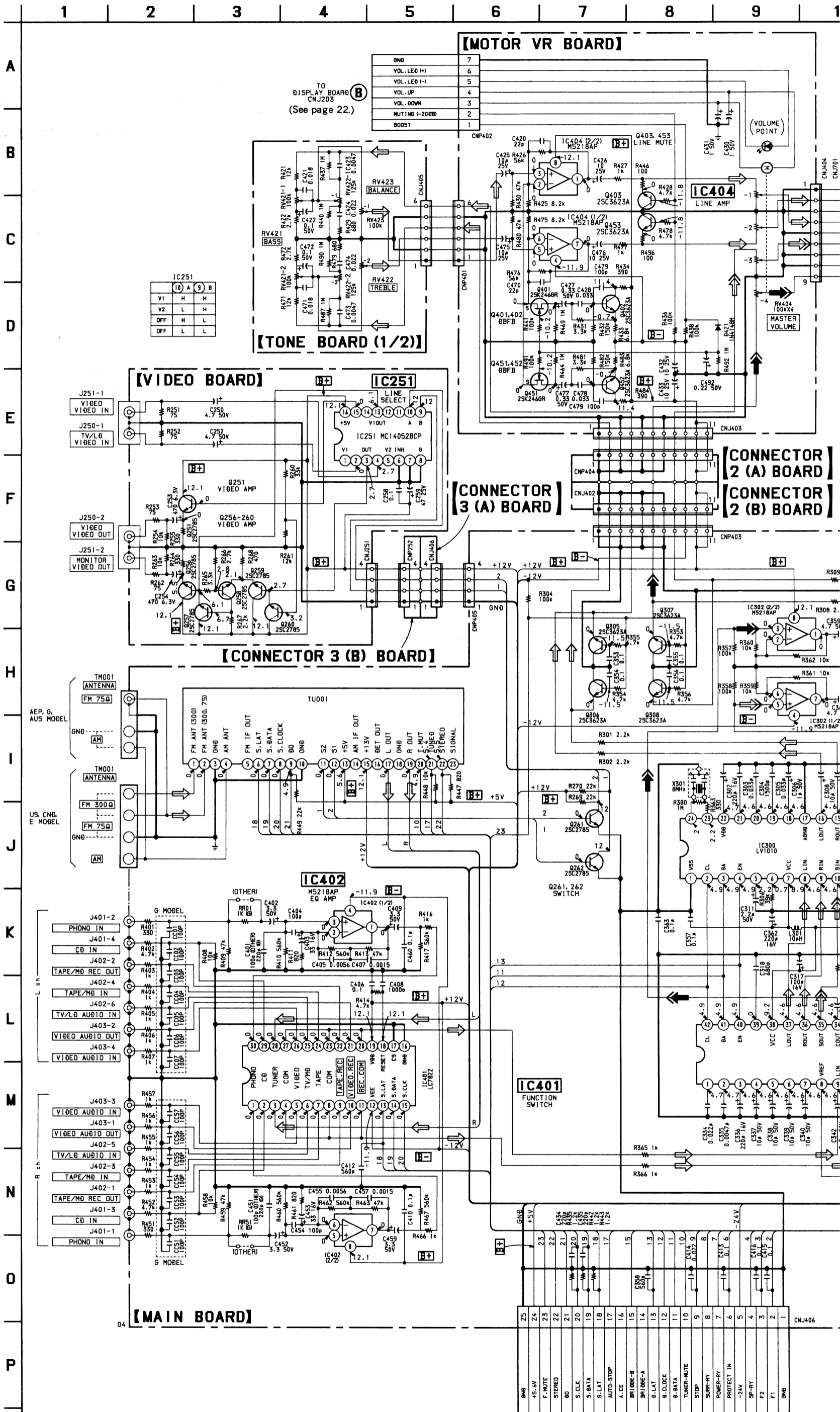
Note:

- : parts extracted from the component side.
- ▨ : Pattern on the side which is seen.
- Abbreviations  
 CND : Canadian model  
 G : German model  
 AUS : Australian model

3 14 15 16 17 18 19 20 21 22 23 24 25 26 27 28 29 30 31



2-5. SCHEMATIC DIAGRAM—MAIN SECTION— • Refer to page 7 for IC Block Diagrams.

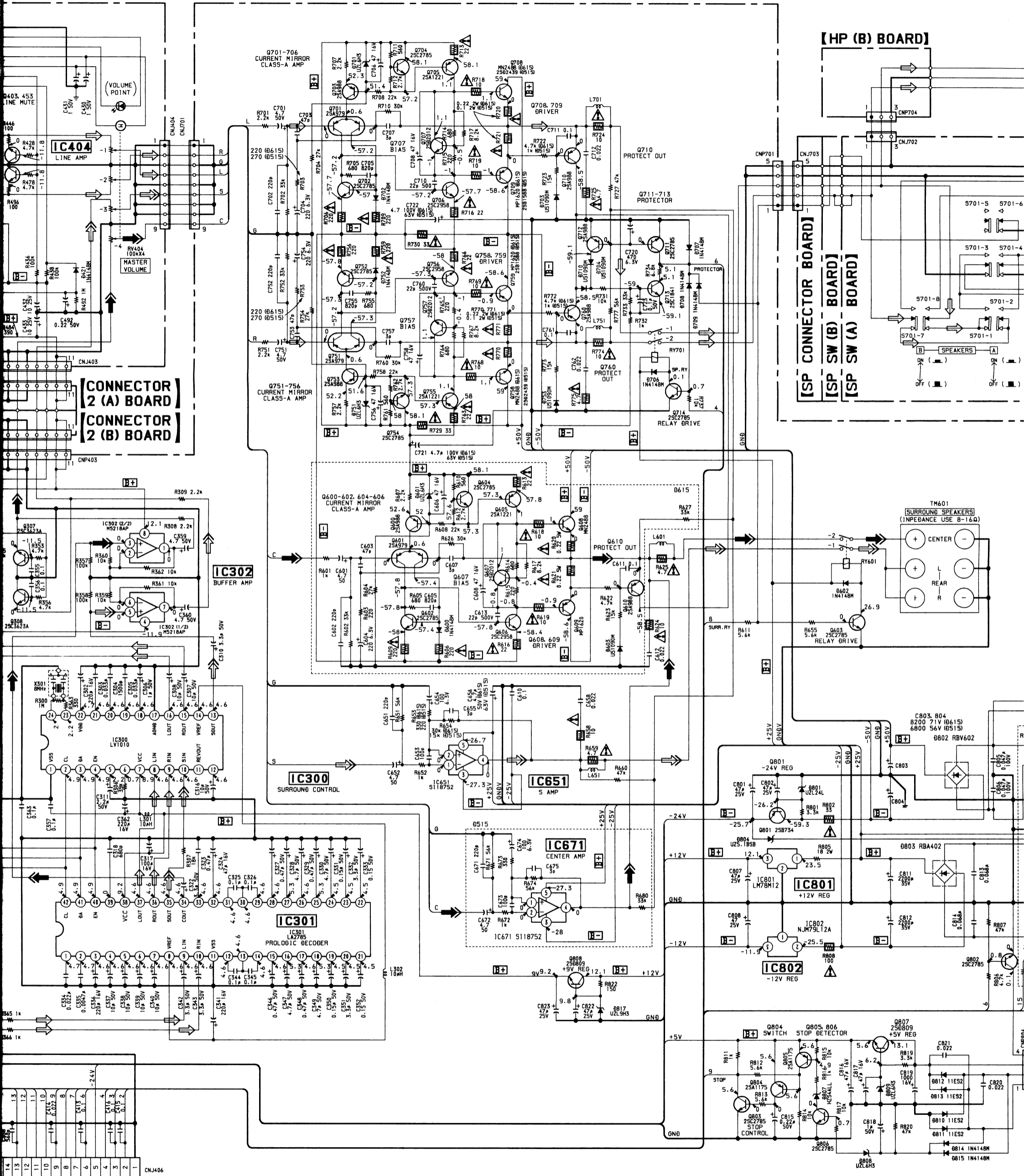


TO DISPLAY BOARD  
CNJ205  
(See page 22.)

IC251	
V1	H H
V2	L L
OFF	H L
OFF	L L

25	GND	23	5V
24	+5.4V	22	STEREO
23	F.MUTE	21	BD
22	STEREO	20	S-CLK
21	BD	19	S.BATA
20	S-CLK	18	S.LAT
19	S.BATA	17	AUTO-STOP
18	S.LAT	16	A.CE
17	AUTO-STOP	15	BRI-DEC-B
16	A.CE	14	BRI-DEC-A
15	BRI-DEC-B	13	B.CLOCK
14	BRI-DEC-A	12	B.LAT
13	B.CLOCK	11	B.BATA
12	B.LAT	10	TUNER-MUTE
11	B.BATA	9	STOP
10	TUNER-MUTE	8	STOP
9	STOP	7	POWER-RY
8	STOP	6	POWER-RY
7	POWER-RY	5	PROTECT IN
6	POWER-RY	4	PROTECT IN
5	PROTECT IN	3	-2.4V
4	PROTECT IN	2	F2
3	-2.4V	1	F1
2	F2		
1	F1		

TO DISPLAY BOARD  
CNJ201  
(See page 22.)



HP (B) BOARD

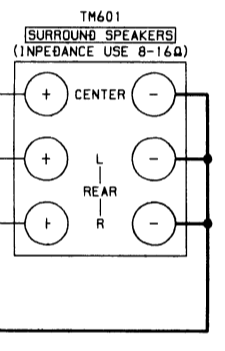
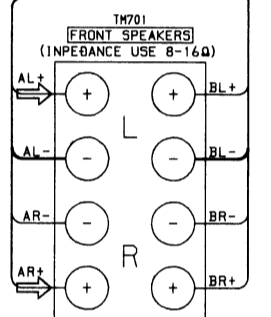
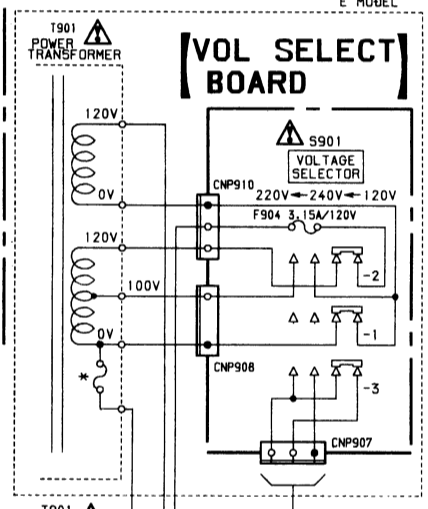
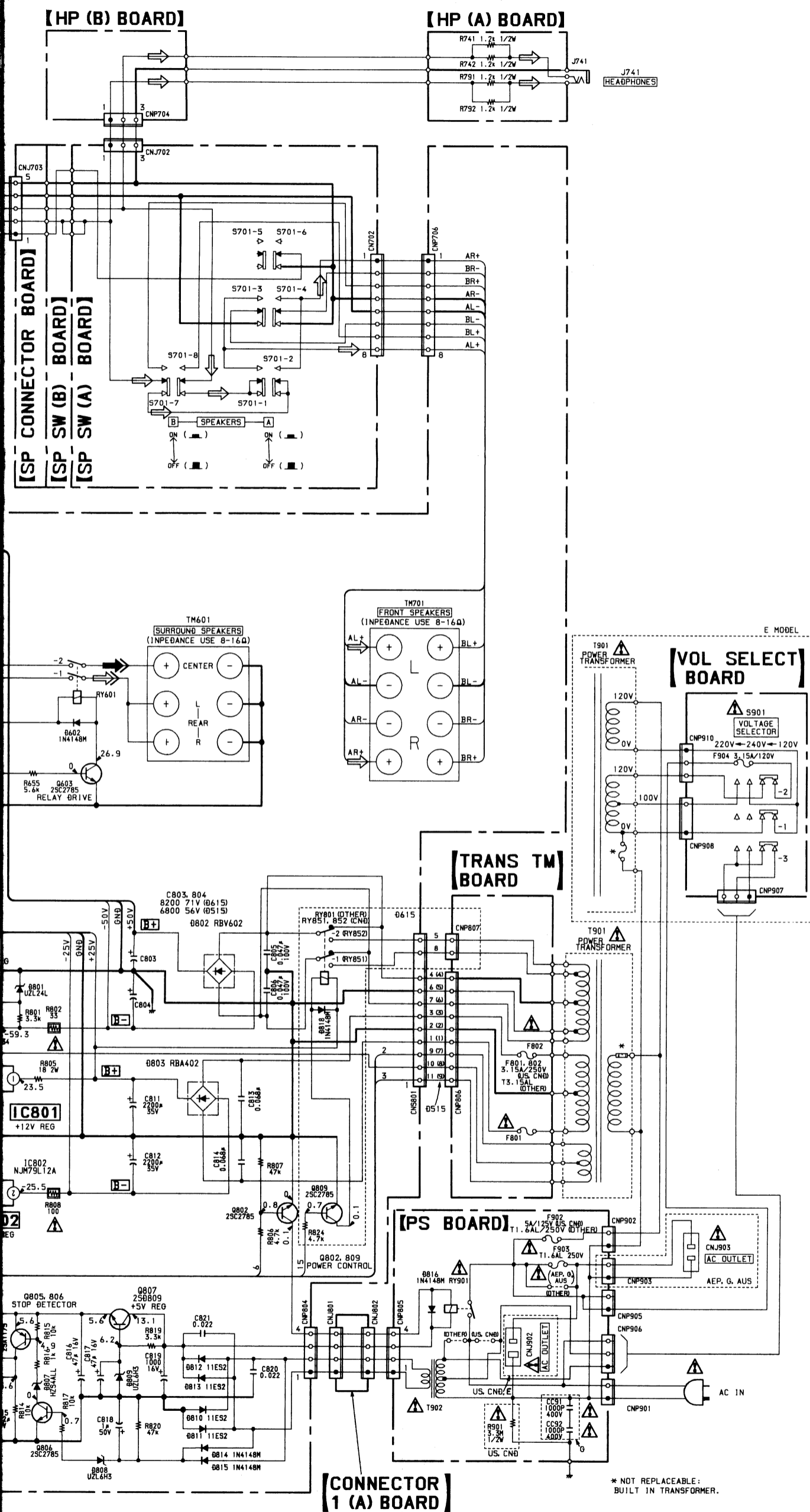
ISP CONNECTOR BOARD  
ISP SW (B) BOARD  
ISP SW (A) BOARD

CONNECTOR 2 (A) BOARD  
CONNECTOR 2 (B) BOARD

CONNECTOR 2 (A) BOARD  
CONNECTOR 2 (B) BOARD

14	13	12	11	10	9	8	7	6	5	4	3	2	1
SWTDR-A	B. LAY	B. CLOCK	B. DATA	TUNER-MUTE	STOP	PWR-RY	PWR-RY	PROTECT IN	-24V	F2	F1	0NB	

ISPLAY BOARD  
CNJ201  
page 22.)



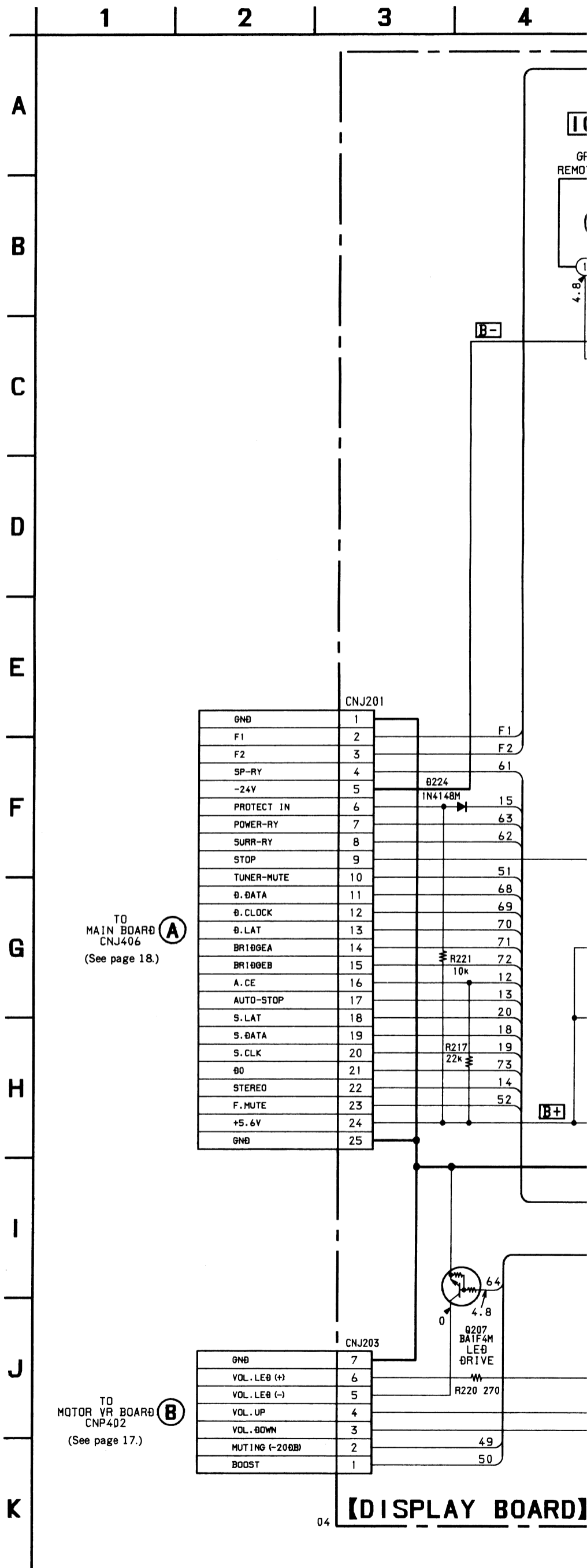
**Note :**

- All capacitors are in  $\mu F$  unless otherwise noted. pF :  $\mu\mu F$  50WV or less are not indicated except for electrolytics and tantalums.
- All resistors are in  $\Omega$  and 1/4 W or less unless otherwise specified.
- $\Delta$  : internal component.

<p><b>Note :</b></p> <p>The components identified by mark <math>\Delta</math> or dotted line with mark <math>\Delta</math> are critical for safety. Replace only with part number specified.</p>	<p><b>Note :</b></p> <p>Les composants identifiés par une marque <math>\Delta</math> sont critiques pour la sécurité. Ne les remplacer que par une pièce portant le numéro spécifié.</p>
--	--

- $\square$  : nonflammable resistor.
- $B+$  : B+ Line
- $B-$  : B- Line
- Voltage is dc with respect to ground under no-signal (detuned) conditions.
- no mark: PHONO
- Voltages are taken with a VOM (Input Impedance 10M $\Omega$ ). Voltage variations may be noted due to normal production tolerances.
- Signal path.
  - $\rightarrow$  : FM
  - $\Rightarrow$  : SURROUND
  - $\Rightarrow$  : CENTER
- Abbreviations
  - CND : Canadian model
  - AUS : Australian model
  - G : German model

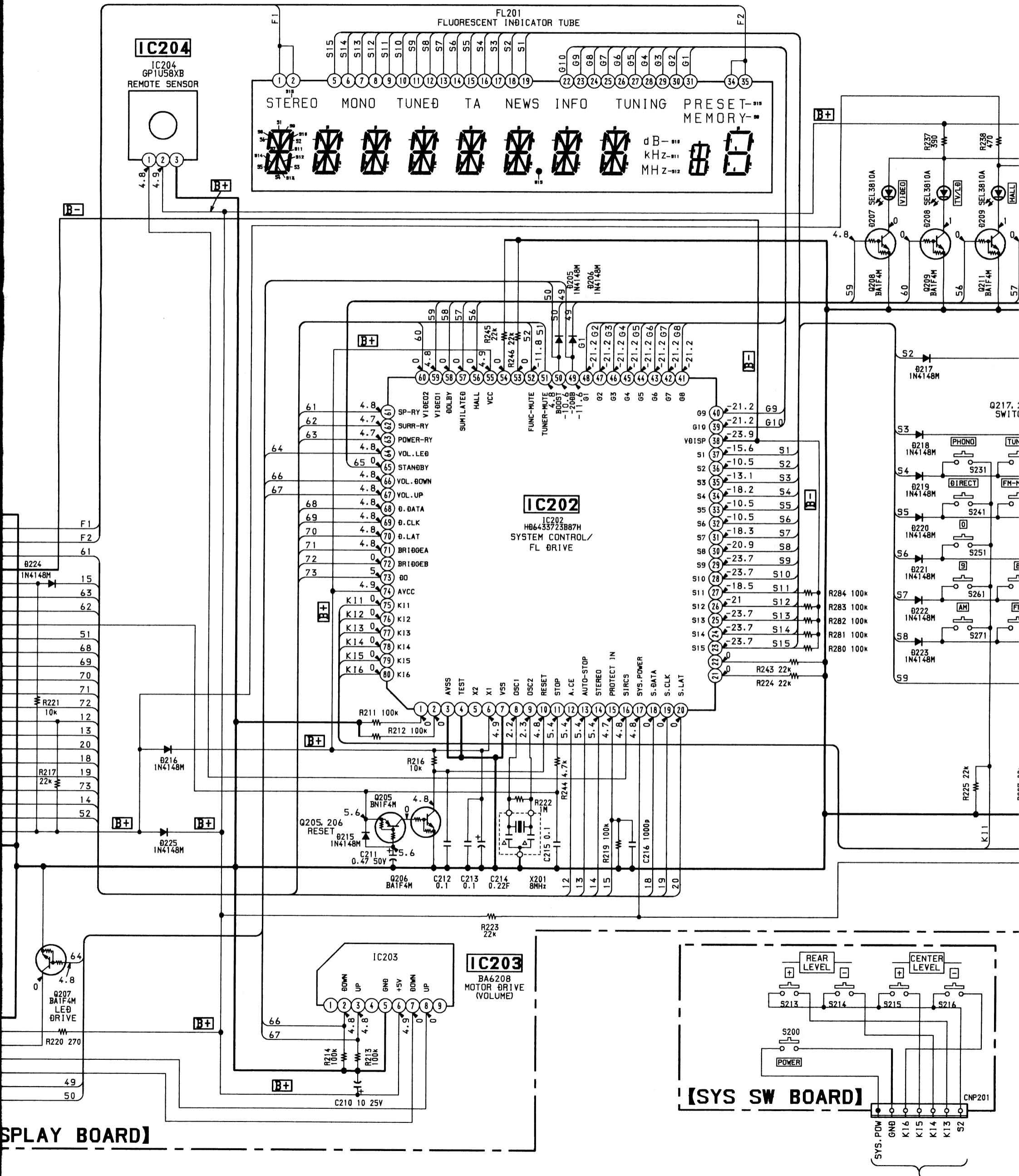
2-6. SCHEMATIC DIAGRAM—DISPLAY SECTION— • Refer to page 7 for IC Blo



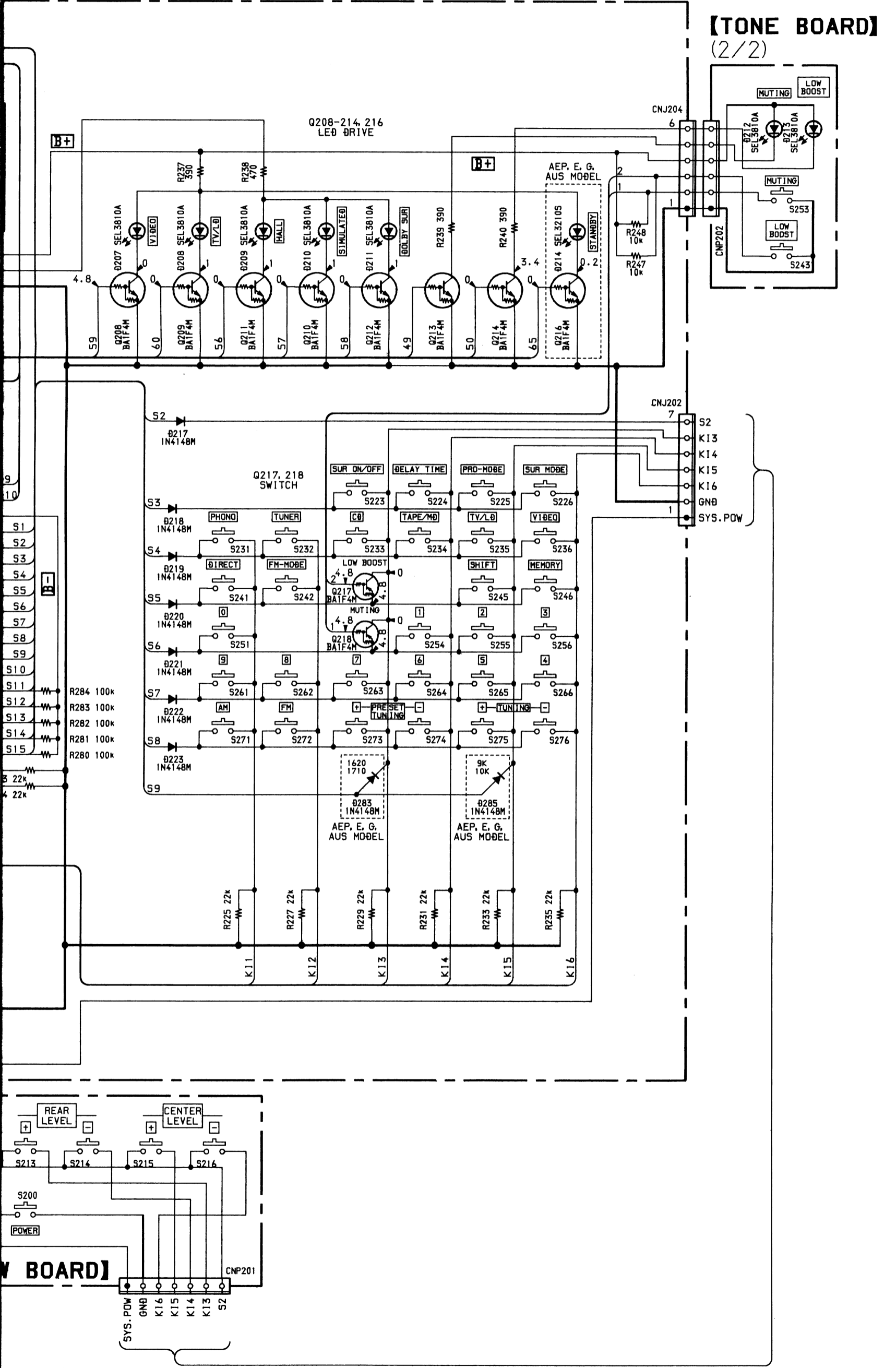
Note:

- All capacitors are in  $\mu$ F unless otherwise noted. pF :  $\mu$  $\mu$ F 50WV or less are not indicated except for electrolytics and tantalums.
- All resistors are in  $\Omega$  and 1/4 W or less unless otherwise specified.
- $\Delta$  : internal component.
- $\boxed{B+}$  : B+ Line
- $\boxed{B-}$  : B- Line
- Voltage is dc with respect to ground under no-signal conditions.
- no mark: PHONO
- Voltages are taken with a VOM (Input Impedance 10M $\Omega$ ). Voltage variations may be noted due to normal production tolerances.
- Abbreviations  
AUS: Australian model  
G : German model

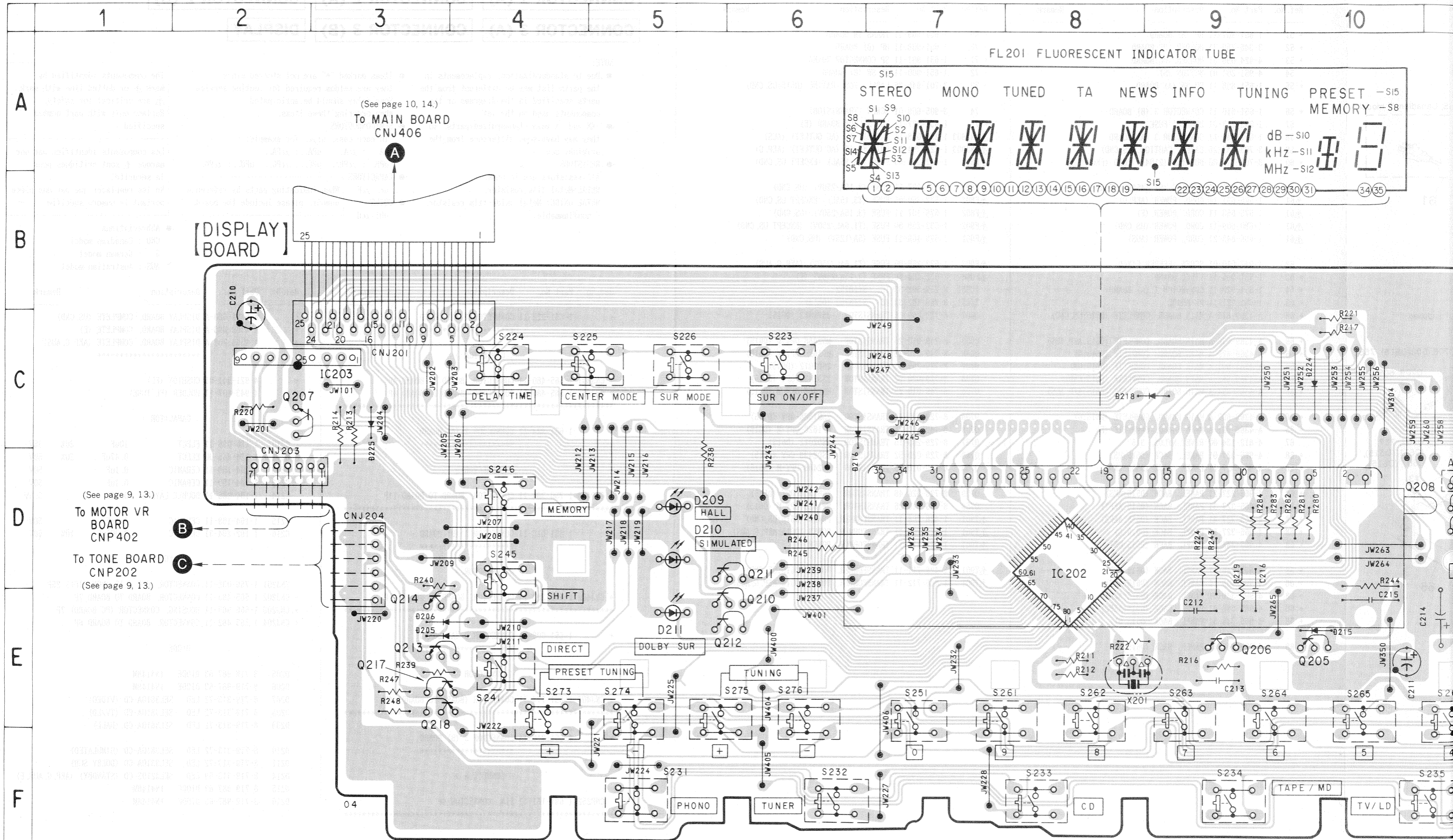




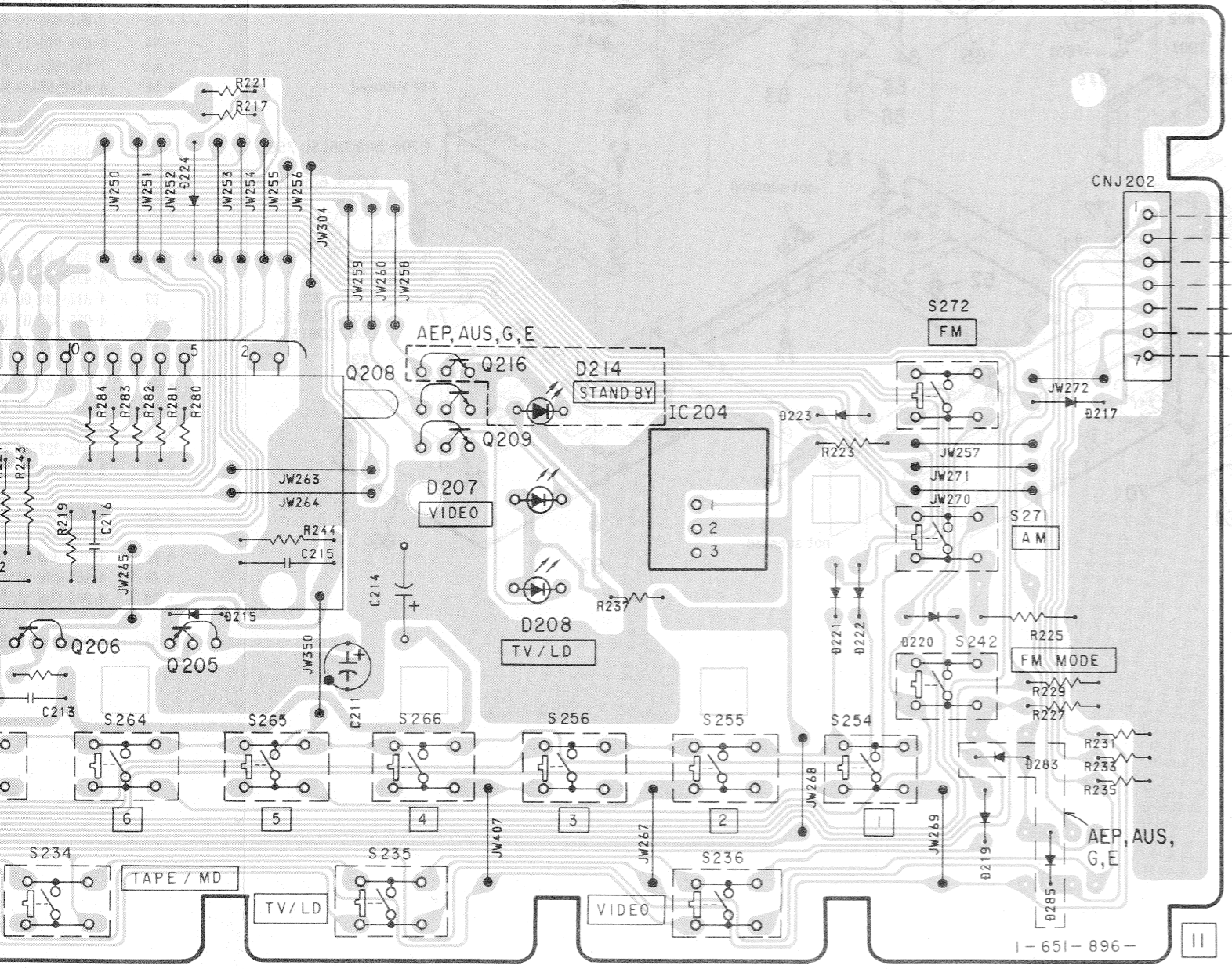
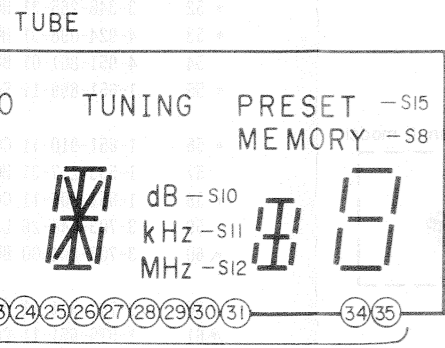
### [TONE BOARD] (2/2)



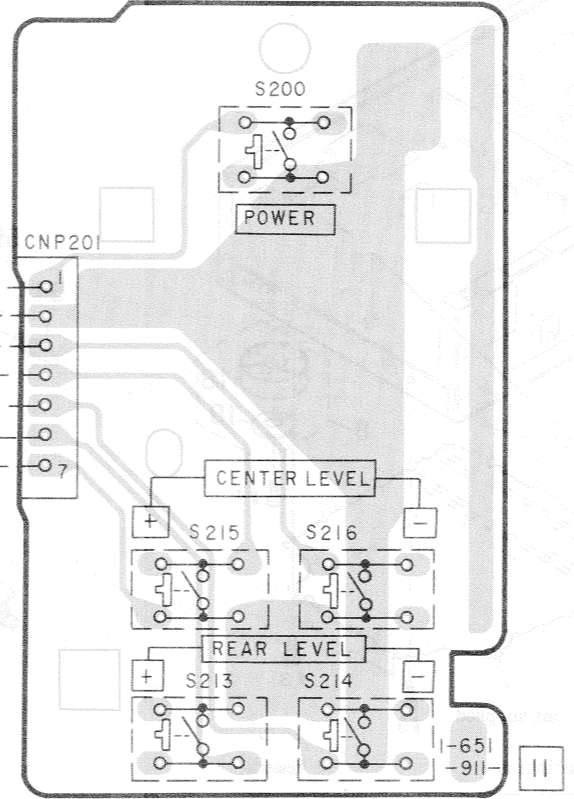
2-7. PRINTED WIRING BOARDS—DISPLAY SECTION— • Refer to page 8 for Semiconductor Lead Layouts.



9 10 11 12 13 14 15 16



【SYS SW BOARD】



● Semiconductor Location

Ref. No.	Location
D205	E-3
D206	E-3
D207	D-11
D208	E-11
D209	D-5
D210	D-5
D211	E-5
D214	D-11
D215	E-10
D216	D-6
D217	D-13
D218	C-8
D219	F-13
D220	E-13
D221	E-12
D222	E-12
D223	D-12
D224	C-10
D225	C-3
D283	E-13
D285	F-13
IC202	D-8
IC203	C-3
IC204	D-12
Q205	E-10
Q206	E-9
Q207	C-2
Q208	D-11
Q209	D-11
Q210	D-6
Q211	D-6
Q212	E-5
Q213	E-3
Q214	E-3
Q216	D-11
Q217	E-3
Q218	E-3

Note:

- : parts extracted from the component side.
- : Pattern on the side which is seen.
- Abbreviations  
AUS: Australian model  
G : German model

## SECTION 3 EXPLODED VIEWS

**NOTE:**

- The mechanical parts with no reference number in the exploded views are not supplied.
- Items marked "\*" are not stocked since they are seldom required for routine service. Some delay should be anticipated when ordering these items.

● -XX and -X mean standardized parts, so they may have some difference from the original one.

● Color Indication of Appearance Parts

Example :

    KNOB, BALANCE (WHITE)... (RED)

    ↑                    ↑  
Parts Color Cabinet's Color

● Hardware (# mark) list and accessories and packing materials are given in the last of this parts list.

The components identified by mark  $\Delta$  or dotted line with mark  $\Delta$  are critical for safety. Replace only with part number specified.

Les composants identifiés par une marque  $\Delta$  sont critiques pour la sécurité.

Ne les remplacer que par une pièce portant le numéro spécifié.

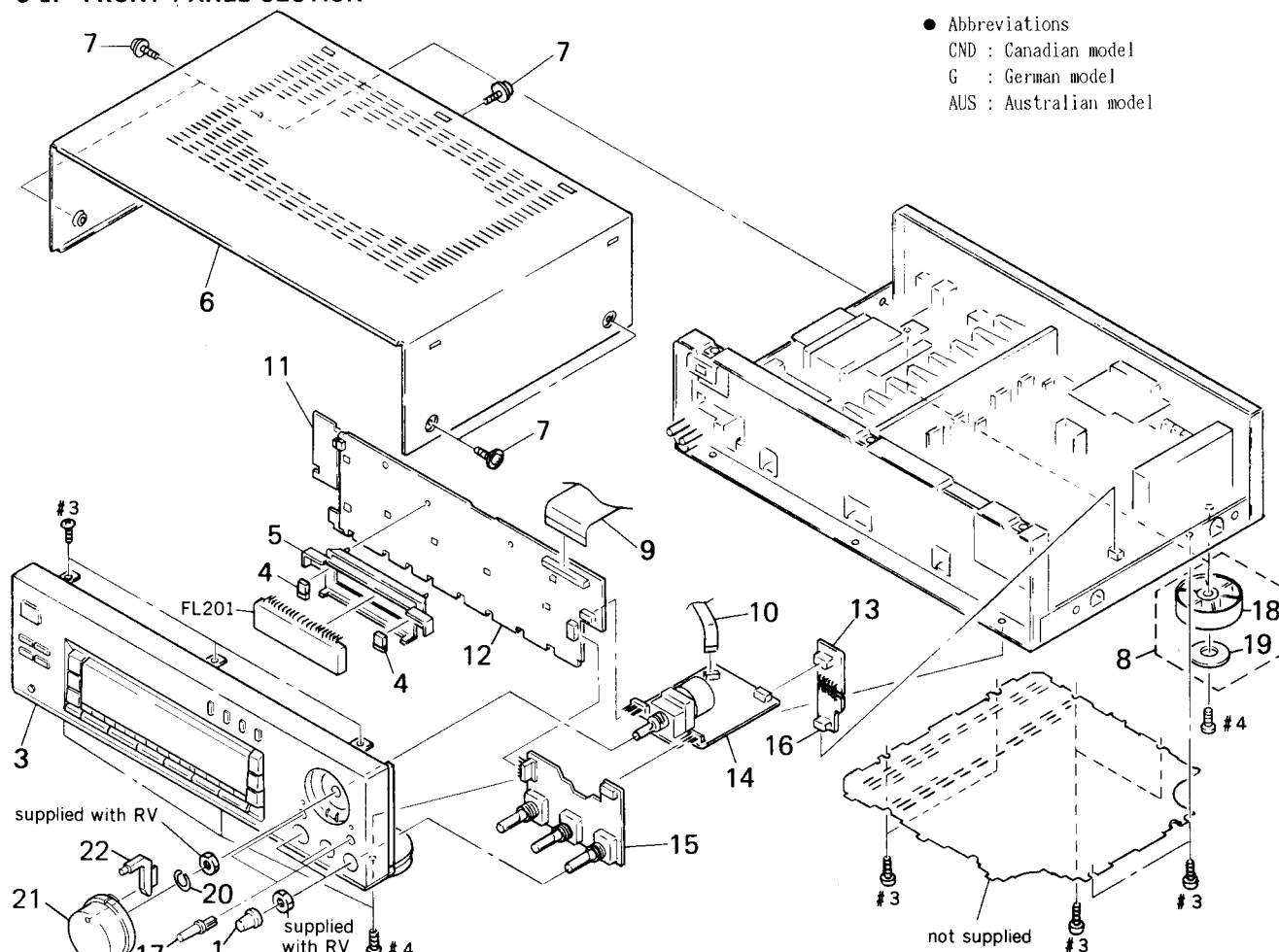
● Abbreviations

CND : Canadian model

G : German model

AUS : Australian model

### 3-1. FRONT PANEL SECTION



Ref. No.	Part No.	Description	Remark
----------	----------	-------------	--------

1	4-943-420-01	KNOB (DIA. 19)	
3	X-4944-746-2	PANEL ASSY. FRONT (D515:US,CND)	
3	X-4944-747-2	PANEL ASSY. FRONT (D515:AEP,G,AUS)	
3	X-4944-748-2	PANEL ASSY. FRONT (D615:US,CND)	
3	X-4944-749-2	PANEL ASSY. FRONT (D615:AEP,E,G,AUS)	

* 4	4-921-941-01	CUSHION (FL)	
* 5	4-943-107-11	HOLDER (FL TUBE)	
* 6	4-951-795-01	CASE	
7	3-704-366-01	SCREW (CASE) (M3X8)	
8	X-4941-291-1	FOOT ASSY (F58175S) (US,CND)	
8	X-4941-292-1	FOOT ASSY (F58175S) (AEP,E,G,AUS)	
9	1-765-307-11	WIRE (FLAT TYPE) (25 CORE)	
10	1-765-298-11	WIRE (FLAT TYPE) (9 CORE)	
* 11	1-651-911-11	SYS SW BOARD	

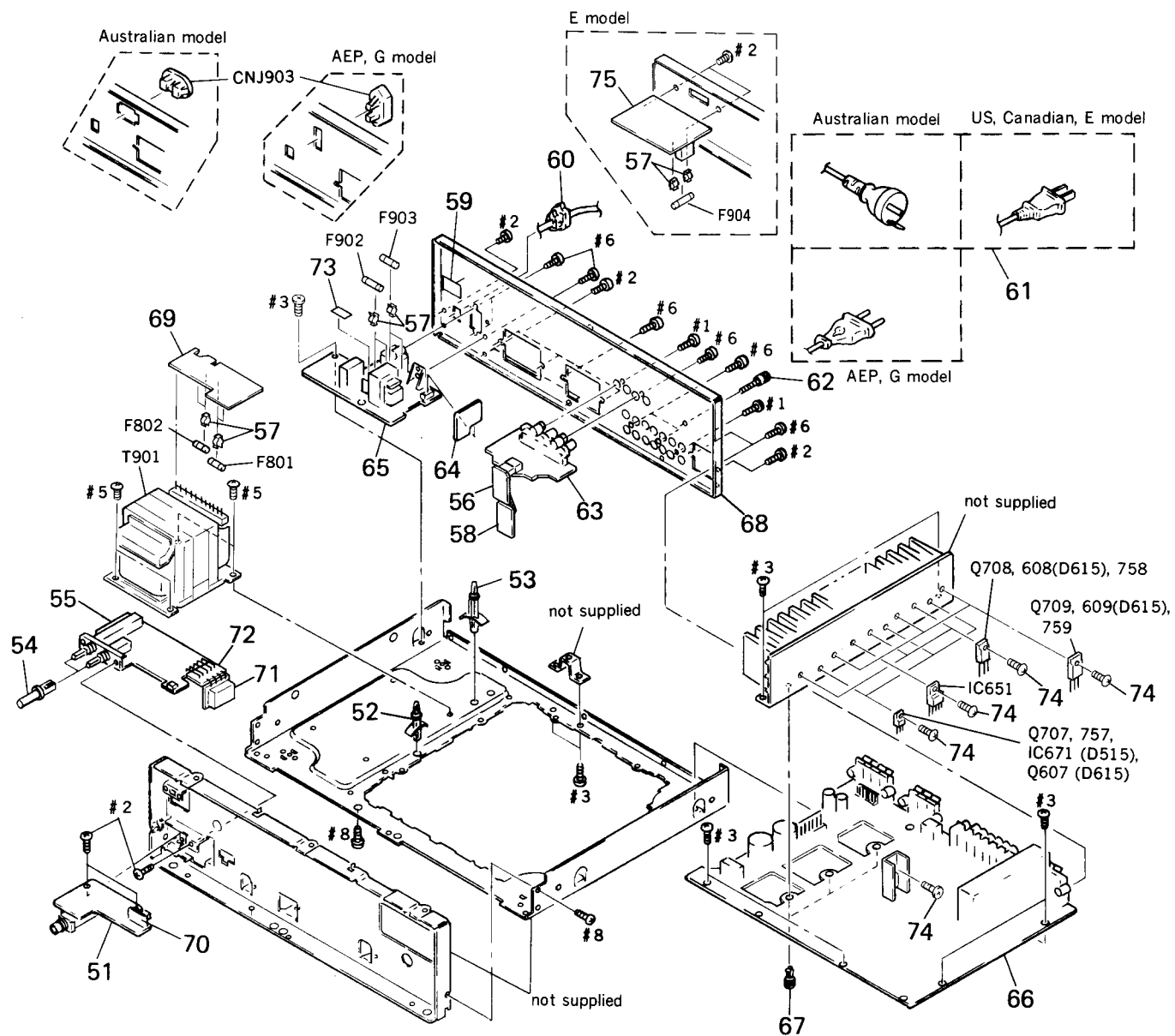
Ref. No.	Part No.	Description	Remark
----------	----------	-------------	--------

* 12	A-4369-680-A	DISPLAY BOARD, COMPLETE (US,CND)	
* 12	A-4369-698-A	DISPLAY BOARD, COMPLETE (E)	
* 12	A-4369-702-A	DISPLAY BOARD, COMPLETE (AEP,G,AUS)	
* 13	1-651-924-11	CONNECTOR 2 (A) BOARD	
* 14	A-4369-675-A	MOTOR VR BOARD, COMPLETE (D515)	
* 14	A-4369-681-A	MOTOR VR BOARD, COMPLETE (D615)	
* 15	1-651-898-11	TONE BOARD	
* 16	1-651-925-11	CONNECTOR 2 (B) BOARD	
17	4-951-801-01	BUTTON (S)	
18	3-318-688-31	FOOT (F58175S) (AEP,E,G,AUS)	

18	3-318-688-51	FOOT (F58175S) (US,CND)	
19	4-923-836-21	CUSHION	
20	3-350-426-01	SPRING, RING	
21	4-949-659-01	KNOB (VOL-NEW)	
22	4-958-991-01	PLATE (VOL), LIGHT GUIDE	

FL201	1-517-141-11	INDICATOR TUBE, FLUORESCENT	
-------	--------------	-----------------------------	--

### 3-2. CHASSIS SECTION



Ref. No.	Part No.	Description	Remark	Ref. No.	Part No.	Description	Remark
* 51	1-651-907-11	HP (A) BOARD		* 69	1-651-909-11	TRANS TM BOARD	
* 52	3-346-265-31	HOLDER, PC BOARD		* 70	1-651-908-11	HP (B) BOARD	
* 53	4-924-098-31	HOLDER, PC BOARD		* 71	1-651-901-11	SP CONNECTOR BOARD	
54	4-951-801-01	BUTTON (S)		* 72	1-651-900-11	SP SW (B) BOARD	
* 55	1-651-899-11	SP SW (A) BOARD		* 73	3-701-946-26	LABEL, FUSE RATING (D515:US, CND)	
* 56	1-651-910-11	CONNECTOR 3 (B) BOARD		74	3-905-609-01	SCREW (TRANSISTOR)	
57	1-533-217-31	HOLDER, FUSE		* 75	1-651-927-11	VOL SELECT BOARD (E)	
* 58	1-651-906-11	CONNECTOR 3 (A) BOARD		△CNJ903	1-251-078-11	OUTLET, AC (AC OUTLET) (AUS)	
59	3-703-044-26	LABEL, CAUTION (US, CND)		△CNJ903	1-526-794-11	OUTLET, AC (AC OUTLET) (AEP, G)	
* 60	3-703-244-00	BUSHING (2104), CORD (EXCEPT E)		△F801	1-532-350-00	FUSE (T3.15AL) (EXCEPT US, CND)	
60	3-703-571-11	BUSHING (S) (4516), CORD (E)		△F801	1-576-107-11	FUSE (3.15A/250V) (US, CND)	
△61	1-575-651-11	CORD, POWER (AEP, G)		△F802	1-532-350-00	FUSE (T3.15AL) (EXCEPT US, CND)	
△61	1-575-653-11	CORD, POWER (E)		△F802	1-576-107-11	FUSE (3.15A/250V) (US, CND)	
△61	1-690-609-11	CORD, POWER (US, CND)		△F902	1-532-259-00	FUSE (T1.6AL/250V) (EXCEPT US, CND)	
△61	1-696-848-21	CORD, POWER (AUS)		△F902	1-576-109-11	FUSE (5A/125V) (US, CND)	
62	4-947-010-01	SCREW, FEEDER FIXED		△F903	1-532-259-00	FUSE (T1.6AL/250V) (AEP, G, AUS)	
* 63	1-651-905-11	VIDEO BOARD		△F904	1-532-286-00	FUSE (3.15A/250V) (E)	
* 64	1-651-922-11	CONNECTOR 1 (A) BOARD		IC651	8-759-502-33	IC S118752	
* 65	1-651-921-11	PS BOARD		IC671	8-759-502-33	IC S118752 (D515)	
* 66	A-4369-677-A	MAIN BOARD, COMPLETE (D515:US, CND)		Q607	8-729-209-15	TRANSISTOR 2SD2012 (D615)	
* 66	A-4369-678-A	MAIN BOARD, COMPLETE (D515:AEP, AUS)		Q608	8-749-010-25	TRANSISTOR MN2488-OPY-M (D615)	
* 66	A-4369-679-A	MAIN BOARD, COMPLETE (D515:G)		Q609	8-749-010-26	TRANSISTOR MP1620-OPY-M (D615)	
* 66	A-4369-691-A	MAIN BOARD, COMPLETE (D615:US)		Q707	8-729-209-15	TRANSISTOR 2SD2012 (D615)	
* 66	A-4369-692-A	MAIN BOARD, COMPLETE (D615:CND)		Q708	8-729-020-52	TRANSISTOR 2SD2439-OPY (D515)	
* 66	A-4369-694-A	MAIN BOARD, COMPLETE (D615:AEP, AUS)		Q708	8-749-010-25	TRANSISTOR MN2488-OPY-M (D615)	
* 66	A-4369-697-A	MAIN BOARD, COMPLETE (D615:G)		Q709	8-729-020-48	TRANSISTOR 2SB1588-OPY (D515)	
* 66	A-4369-701-A	MAIN BOARD, COMPLETE (E)		Q709	8-749-101-26	TRANSISTOR MP1620-OPY-M (D615)	
67	4-812-134-00	RIVET NYLON, 3.5		Q757	8-729-209-15	TRANSISTOR 2SD2012 (D615)	
* 68	4-965-327-01	PANEL, BACK (D515:US)		Q758	8-729-020-52	TRANSISTOR 2SD2439-OPY (D515)	
* 68	4-965-327-11	PANEL, BACK (D515:CND)		Q758	8-749-010-25	TRANSISTOR MN2488-OPY-M (D615)	
* 68	4-965-327-21	PANEL, BACK (D515:AUS)		Q759	8-729-020-48	TRANSISTOR 2SB1588-OPY (D515)	
* 68	4-965-327-31	PANEL, BACK (D515:AEP1)		Q759	8-749-010-26	TRANSISTOR MP1620-OPY-M (D615)	
* 68	4-965-327-41	PANEL, BACK (D515:AEP2)		△T901	1-426-708-11	TRANSFORMER, POWER (D615:US, CND)	
* 68	4-965-327-51	PANEL, BACK (D515:G)		△T901	1-426-709-11	TRANSFORMER, POWER (D615:AEP, G, AUS)	
* 68	4-965-346-01	PANEL, BACK (D615:US)		△T901	1-426-710-11	TRANSFORMER, POWER (E)	
* 68	4-965-346-11	PANEL, BACK (D615:CND)		△T901	1-426-711-11	TRANSFORMER, POWER (D515:US, CND)	
* 68	4-965-346-21	PANEL, BACK (D615:AUS)		△T901	1-426-712-11	TRANSFORMER, POWER (D515:AEP, G, AUS)	
* 68	4-965-346-31	PANEL, BACK (D615:AEP1)					
* 68	4-965-346-41	PANEL, BACK (D615:AEP2)					
* 68	4-965-346-51	PANEL, BACK (D615:G)					
* 68	4-965-346-61	PANEL, BACK (D615:E)					

## SECTION 4 ELECTRICAL PARTS LIST

**CONNECTOR 1 (A)**

**CONNECTOR 2 (A)**

**CONNECTOR 2 (B)**

**CONNECTOR 3 (A)**

**CONNECTOR 3 (B)**

**DISPLAY**

**NOTE:**

- Due to standardization, replacements in the parts list may be different from the parts specified in the diagrams or the components used on the set.
- -XX and -X mean standardized parts, so they may have some difference from the original one.
- RESISTORS  
All resistors are in ohms.  
METAL: Metal-film resistor.  
METAL OXIDE: Metal oxide-film resistor.  
F: nonflammable

- Items marked "\*" are not stocked since they are seldom required for routine service. Some delay should be anticipated when ordering these items.

● SEMICONDUCTORS

In each case, u:  $\mu$ , for example:  
 $\mu A$  ..:  $\mu A$ ..     $\mu PA$ ..:  $\mu PA$ ..  
 $\mu PB$ ..:  $\mu PB$ ..     $\mu PC$ ..:  $\mu PC$ ..     $\mu PD$ ..:  $\mu PD$ ..

● CAPACITORS

$\mu F$ :  $\mu F$   
 $\mu H$ :  $\mu H$

● COILS

$\mu H$ :  $\mu H$

When indicating parts by reference number, please include the board.

The components identified by mark  $\Delta$  or dotted line with mark  $\Delta$  are critical for safety. Replace only with part number specified.

Les composants identifiés par une marque  $\Delta$  sont critiques pour la sécurité. Ne les remplacer que par une pièce portant le numéro spécifié.

● Abbreviations

CND : Canadian model  
 G : German model  
 AUS : Australian model

Ref. No.	Part No.	Description	Remark
*	1-651-922-11	CONNECTOR 1 (A) BOARD ***** < CONNECTOR >	
*	CNJ801 1-565-480-11	CONNECTOR, BOARD TO BOARD 4P	
*	CNJ802 1-565-480-11	CONNECTOR, BOARD TO BOARD 4P *****	
*	1-651-924-11	CONNECTOR 2 (A) BOARD ***** < CONNECTOR >	
*	CNP404 1-750-384-11	CONNECTOR, BOARD TO BOARD 11P *****	
*	1-651-925-11	CONNECTOR 2 (B) BOARD ***** < CONNECTOR >	
*	CNJ402 1-750-383-11	CONNECTOR, BOARD TO BOARD 11P *****	
*	1-651-906-11	CONNECTOR 3 (A) BOARD ***** < CONNECTOR >	
*	CNJ406 1-691-174-11	CONNECTOR (BOARD TO BOARD) 4P *****	
*	1-651-910-11	CONNECTOR 3 (B) BOARD ***** < CONNECTOR >	
	CNP252 1-691-161-11	PIN, CONNECTOR 4P *****	

Ref. No.	Part No.	Description	Remark
*	A-6369-680-A	DISPLAY BOARD, COMPLETE (US, CND)	
*	A-4369-698-A	DISPLAY BOARD, COMPLETE (E)	
*	A-4369-702-A	DISPLAY BOARD, COMPLETE (AEP, G, AUS) *****	
		< CAPACITOR >	
	C210 1-126-096-11	ELECT 10 $\mu F$ 20% 35V	
	C211 1-124-465-00	ELECT 0.47 $\mu F$ 20% 50V	
	C212 1-164-159-11	CERAMIC 0.1 $\mu F$ 50V	
	C213 1-164-159-11	CERAMIC 0.1 $\mu F$ 50V	
	C214 1-104-905-11	DOUBLE LAYERS 0.22F 5.5V	
	C215 1-164-159-11	CERAMIC 0.1 $\mu F$ 50V	
	C216 1-162-294-31	CERAMIC 0.001 $\mu F$ 10% 50V	
		< CONNECTOR >	
	CNJ201 1-766-038-11	CONNECTOR, FFC (LIF (NON-ZIF)) 25P	
*	CNJ202 1-565-483-11	CONNECTOR, BOARD TO BOARD 7P	
*	CNJ203 1-566-969-11	HOUSING, CONNECTOR (PC BOARD) 7P	
*	CNJ204 1-565-482-11	CONNECTOR, BOARD TO BOARD 6P	
		< DIODE >	
	D205 8-719-987-63	DIODE 1N4148M	
	D206 8-719-987-63	DIODE 1N4148M	
	D207 8-719-313-72	LED SEL3810A-CD (VIDEO)	
	D208 8-719-313-72	LED SEL3810A-CD (TV/LD)	
	D209 8-719-313-72	LED SEL3810A-CD (HALL)	
	D210 8-719-313-72	LED SEL3810A-CD (SIMULATED)	
	D211 8-719-313-72	LED SEL3810A-CD (DOLBY SUR)	
	D214 8-719-313-69	LED SEL3210S-CD (STANDBY) (AEP, G, AUS, E)	
	D215 8-719-987-63	DIODE 1N4148M	
	D216 8-719-987-63	DIODE 1N4148M	



**DISPLAY**

Ref. No.	Part No.	Description	Remark	Ref. No.	Part No.	Description	Remark
D217	8-719-987-63	DIODE 1N4148M		R231	1-249-433-11	CARBON 22K 5% 1/4W	
D218	8-719-987-63	DIODE 1N4148M		R233	1-249-433-11	CARBON 22K 5% 1/4W	
D219	8-719-987-63	DIODE 1N4148M		R235	1-249-433-11	CARBON 22K 5% 1/4W	
D220	8-719-987-63	DIODE 1N4148M		R237	1-249-412-11	CARBON 390 5% 1/4W	
D221	8-719-987-63	DIODE 1N4148M		R238	1-249-413-11	CARBON 470 5% 1/4W	
D222	8-719-987-63	DIODE 1N4148M		R239	1-249-412-11	CARBON 390 5% 1/4W	
D223	8-719-987-63	DIODE 1N4148M		R240	1-249-412-11	CARBON 390 5% 1/4W	
D224	8-719-987-63	DIODE 1N4148M		R243	1-249-433-11	CARBON 22K 5% 1/4W	
D225	8-719-987-63	DIODE 1N4148M		R244	1-249-425-11	CARBON 4.7K 5% 1/4W	
D283	8-719-987-63	DIODE 1N4148M (AEP, G, AUS, E)		R245	1-249-433-11	CARBON 22K 5% 1/4W	
D284	8-719-987-63	DIODE 1N4148M (AEP, G, AUS, E)		R246	1-249-433-11	CARBON 22K 5% 1/4W	
		< FLUORESCENT INDICATOR TUBE >		R247	1-249-429-11	CARBON 10K 5% 1/4W	
FL201	1-517-141-11	INDICATOR TUBE, FLUORESCENT		R248	1-249-429-11	CARBON 10K 5% 1/4W	
		< IC >		R280-284			
IC202	8-759-261-70	IC HD6433723B87H			1-249-441-11	CARBON 100K 5% 1/4W	
IC203	8-759-962-08	IC BA6208					
IC204	8-749-923-11	IC GP1U58XB					
		< TRANSISTOR >					
Q205	8-729-900-63	TRANSISTOR DTA124ES		S223	1-554-303-21	SWITCH, TACTILE (SUR ON/OFF)	
Q206	8-729-900-36	TRANSISTOR DTC124ES		S224	1-554-303-21	SWITCH, TACTILE (DELAY TIME)	
Q207	8-729-900-36	TRANSISTOR DTC124ES		S225	1-554-303-21	SWITCH, TACTILE (CENTER MODE)	
Q208	8-729-900-36	TRANSISTOR DTC124ES		S226	1-554-303-21	SWITCH, TACTILE (SUR MODE)	
Q209	8-729-900-36	TRANSISTOR DTC124ES		S231	1-554-303-21	SWITCH, TACTILE (PHONO)	
Q210	8-729-900-36	TRANSISTOR DTC124ES		S232	1-554-303-21	SWITCH, TACTILE (TUNER)	
Q211	8-729-900-36	TRANSISTOR DTC124ES		S233	1-554-303-21	SWITCH, TACTILE (CD)	
Q212	8-729-900-36	TRANSISTOR DTC124ES		S234	1-554-303-21	SWITCH, TACTILE (TAPE/MD)	
Q213	8-729-900-36	TRANSISTOR DTC124ES		S235	1-554-303-21	SWITCH, TACTILE (TV/LD)	
Q214	8-729-900-36	TRANSISTOR DTC124ES		S236	1-554-303-21	SWITCH, TACTILE (VIDEO)	
Q216	8-729-900-36	TRANSISTOR DTC124ES (AEP, G, AUS, E)		S241	1-554-303-21	SWITCH, TACTILE (DIRECT)	
Q217	8-729-900-63	TRANSISTOR DTA124ES		S242	1-554-303-21	SWITCH, TACTILE (FM MODE)	
Q218	8-729-900-63	TRANSISTOR DTA124ES		S245	1-554-303-21	SWITCH, TACTILE (SHIFT)	
		< RESISTOR >		S246	1-554-303-21	SWITCH, TACTILE (MEMORY)	
R211-214				S251	1-554-303-21	SWITCH, TACTILE (0)	
	1-249-441-11	CARBON 100K 5% 1/4W		S254	1-554-303-21	SWITCH, TACTILE (1)	
R216	1-249-429-11	CARBON 10K 5% 1/4W		S255	1-554-303-21	SWITCH, TACTILE (2)	
R217	1-249-433-11	CARBON 22K 5% 1/4W		S256	1-554-303-21	SWITCH, TACTILE (3)	
R219	1-249-441-11	CARBON 100K 5% 1/4W		S261	1-554-303-21	SWITCH, TACTILE (9)	
R220	1-249-410-11	CARBON 270 5% 1/4W		S262	1-554-303-21	SWITCH, TACTILE (8)	
R221	1-249-429-11	CARBON 10K 5% 1/4W		S263	1-554-303-21	SWITCH, TACTILE (7)	
R222	1-247-903-00	CARBON 1M 5% 1/4W		S264	1-554-303-21	SWITCH, TACTILE (6)	
R223-225				S265	1-554-303-21	SWITCH, TACTILE (5)	
	1-249-433-11	CARBON 22K 5% 1/4W		S266	1-554-303-21	SWITCH, TACTILE (4)	
R227	1-249-433-11	CARBON 22K 5% 1/4W		S271	1-554-303-21	SWITCH, TACTILE (AM)	
R229	1-249-433-11	CARBON 22K 5% 1/4W		S272	1-554-303-21	SWITCH, TACTILE (FM)	
				S273	1-554-303-21	SWITCH, TACTILE (PRESET TUNING +)	
				S274	1-554-303-21	SWITCH, TACTILE (PRESET TUNING -)	
				S275	1-554-303-21	SWITCH, TACTILE (TUNING +)	
				S276	1-554-303-21	SWITCH, TACTILE (TUNING -)	

<b>DISPLAY</b>	<b>HP (A)</b>	<b>HP (B)</b>	<b>MAIN</b>
----------------	---------------	---------------	-------------

Ref. No.	Part No.	Description	Remark
		< VIBRATOR >	
X201	1-579-952-21	VIBRATOR, CERAMIC (8MHz)	
*****			
*	1-651-907-11	HP (A) BOARD	
		*****	
		< JACK >	
J741	1-568-519-41	JACK, LARGE TYPE (HEADPHONES)	
		< RESISTOR >	
R741	1-247-753-11	CARBON 1.2K 5% 1/2W	
R742	1-247-753-11	CARBON 1.2K 5% 1/2W	
R791	1-247-753-11	CARBON 1.2K 5% 1/2W	
R792	1-247-753-11	CARBON 1.2K 5% 1/2W	
*****			
*	1-651-908-11	HP (B) BOARD	
		*****	
		< CONNECTOR >	
CNP704	1-691-160-11	PIN, CONNECTOR 3P	
*****			
*	A-4369-677-A	MAIN BOARD, COMPLETE (D515:US, CND)	
*	A-4369-678-A	MAIN BOARD, COMPLETE (D515:AEP, AUS)	
*	A-4369-679-A	MAIN BOARD, COMPLETE (D515:G)	
*	A-4369-691-A	MAIN BOARD, COMPLETE (D615:US)	
*	A-4369-692-A	MAIN BOARD, COMPLETE (D615:CND)	
*	A-4369-694-A	MAIN BOARD, COMPLETE (D615:AEP, AUS)	
*	A-4369-697-A	MAIN BOARD, COMPLETE (D615:G)	
*	A-4369-701-A	MAIN BOARD, COMPLETE (E)	
		*****	
	3-905-609-01	SCREW (TRANSISTOR)	
	4-812-134-00	RIVET NYLON, 3.5	
*	4-942-204-01	PLATE, GROUND	
	7-682-548-04	SCREW +BVTT 3X8 (S)	
		< CAPACITOR >	
C302	1-124-120-11	ELECT 220uF 20% 25V	
C303	1-130-489-00	MYLAR 0.033uF 5% 50V	
C304	1-137-365-11	FILM 0.0015uF 5% 50V	
C305	1-130-489-00	MYLAR 0.033uF 5% 50V	
C306	1-124-903-11	ELECT 1uF 20% 50V	
C307	1-124-907-11	ELECT 10uF 20% 50V	
C308	1-124-907-11	ELECT 10uF 20% 50V	
C310	1-126-962-11	ELECT 3.3uF 20% 50V	
C311	1-124-925-11	ELECT 2.2uF 20% 100V	
C316	1-124-907-11	ELECT 10uF 20% 50V	

Ref. No.	Part No.	Description	Remark
C317	1-126-101-11	ELECT 100uF 20% 16V	
C318	1-137-363-91	FILM 680PF 5% 50V	
C322	1-126-962-11	ELECT 3.3uF 20% 50V	
C323	1-136-173-00	FILM 0.47uF 5% 50V	
C324	1-124-477-11	ELECT 47uF 20% 25V	
C325	1-137-399-11	FILM 0.1uF 5% 50V	
C326	1-137-399-11	FILM 0.1uF 5% 50V	
C327	1-124-902-00	ELECT 0.47uF 20% 50V	
C328	1-124-927-11	ELECT 4.7uF 20% 100V	
C329	1-124-902-00	ELECT 0.47uF 20% 50V	
C330	1-124-927-11	ELECT 4.7uF 20% 100V	
C331	1-124-250-00	ELECT 0.15uF 20% 50V	
C332	1-126-962-11	ELECT 3.3uF 20% 50V	
C333	1-124-250-00	ELECT 0.15uF 20% 50V	
C334	1-137-372-11	FILM 0.022uF 5% 50V	
C335	1-137-368-11	FILM 0.0047uF 5% 50V	
C336	1-124-120-11	ELECT 220uF 20% 25V	
C337-340			
	1-124-907-11	ELECT 10uF 20% 50V	
C341	1-124-120-11	ELECT 220uF 20% 25V	
C342	1-126-962-11	ELECT 3.3uF 20% 50V	
C343	1-126-962-11	ELECT 3.3uF 20% 50V	
C344	1-137-399-11	FILM 0.1uF 5% 50V	
C345	1-137-399-11	FILM 0.1uF 5% 50V	
C346	1-124-902-00	ELECT 0.47uF 20% 50V	
C347	1-124-927-11	ELECT 4.7uF 20% 100V	
C348	1-124-902-00	ELECT 0.47uF 20% 50V	
C349	1-124-927-11	ELECT 4.7uF 20% 100V	
C350	1-124-250-00	ELECT 0.15uF 20% 50V	
C351	1-126-962-11	ELECT 3.3uF 20% 50V	
C352	1-124-250-00	ELECT 0.15uF 20% 50V	
C353-357			
	1-164-159-11	CERAMIC 0.1uF 50V	
C358	1-162-291-31	CERAMIC 560PF 10% 50V	
C359	1-124-927-11	ELECT 4.7uF 20% 100V	
C360	1-124-927-11	ELECT 4.7uF 20% 100V	
C362	1-124-120-11	ELECT 220uF 20% 25V	
C363	1-164-159-11	CERAMIC 0.1uF 50V	
C401	1-162-282-31	CERAMIC 100PF 10% 50V	
		(EXCEPT G)	
C401	1-162-286-31	CERAMIC 220PF 10% 50V	
		(G)	
C402	1-126-962-11	ELECT 3.3uF 20% 50V	
C403	1-104-792-51	ELECT 33uF 20% 16V	
C404	1-162-282-31	CERAMIC 100PF 10% 50V	
C405	1-137-459-11	FILM 0.0056uF 5% 100V	
C406	1-164-159-11	CERAMIC 0.1uF 50V	
C407	1-137-365-11	FILM 0.0015uF 5% 50V	
C408	1-162-294-31	CERAMIC 0.001uF 10% 50V	

Ref. No.	Part No.	Description		Remark	
C409	1-126-962-11	ELECT	3.3uF	20%	50V
C410	1-164-159-11	CERAMIC	0.1uF		50V
C412	1-162-291-31	CERAMIC	560PF	10%	50V
C413	1-164-159-11	CERAMIC	0.1uF		50V
C414	1-161-494-00	CERAMIC	0.022uF		25V
C415	1-164-159-11	CERAMIC	0.1uF		50V
C416	1-164-159-11	CERAMIC	0.1uF		50V
C434	1-162-286-31	CERAMIC	220PF	10%	50V
C435	1-162-286-31	CERAMIC	220PF	10%	50V
C451	1-162-282-31	CERAMIC (EXCEPT G)	100PF	10%	50V
C451	1-162-286-31	CERAMIC (G)	220PF	10%	50V
C452	1-126-962-11	ELECT	3.3uF	20%	50V
C453	1-104-792-51	ELECT	33uF	20%	16V
C454	1-162-282-31	CERAMIC	100PF	10%	50V
C455	1-137-459-11	FILM	0.0056uF	5%	100V
C457	1-137-365-11	FILM	0.0015uF	5%	50V
C459	1-126-962-11	ELECT	3.3uF	20%	50V
C460	1-164-159-11	CERAMIC	0.1uF		50V
C601	1-124-927-11	ELECT (D615)	4.7uF	20%	100V
C602	1-164-077-11	CERAMIC (D615)	220PF	10%	50V
C603	1-162-215-31	CERAMIC (D615)	47PF	5%	50V
C604	1-126-176-11	ELECT (D615)	220uF	20%	10V
C605	1-164-084-11	CERAMIC (D615)	820PF	10%	50V
C606	1-124-477-11	ELECT (D615)	47uF	20%	25V
C607	1-164-039-11	CERAMIC (D615)	3PF	0.25PF	50V
C608	1-124-477-11	ELECT (D615)	47uF	20%	25V
C610	1-164-159-11	CERAMIC	0.1uF		50V
C611	1-164-159-11	CERAMIC (D615)	0.1uF		50V
C612	1-137-372-11	FILM	0.022uF	5%	50V
C613	1-161-959-00	CERAMIC (D615)	22PF	10%	500V
C651	1-164-077-11	CERAMIC	220PF	10%	50V
C652	1-124-927-11	ELECT	4.7uF	20%	100V
C653	1-164-070-11	CERAMIC	100PF	5%	50V
C654	1-124-443-00	ELECT	100uF	20%	10V
C655	1-164-039-11	CERAMIC	3PF	0.25PF	50V
C656	1-124-927-11	ELECT	4.7uF	20%	100V
C658	1-137-372-11	FILM	0.022uF	5%	50V

Ref. No.	Part No.	Description		Remark	
C671	1-164-077-11	CERAMIC (D515)	220PF	10%	50V
C672	1-124-927-11	ELECT (D515)	4.7uF	20%	100V
C673	1-164-070-11	CERAMIC (D515)	100PF	5%	50V
C674	1-124-443-00	ELECT (D515)	100uF	20%	10V
C675	1-164-039-11	CERAMIC (D515)	3PF	0.25PF	50V
C701	1-124-927-11	ELECT	4.7uF	20%	100V
C702	1-164-077-11	CERAMIC	220PF	10%	50V
C703	1-162-215-31	CERAMIC	47PF	5%	50V
C704	1-126-176-11	ELECT	220uF	20%	10V
C705	1-164-084-11	CERAMIC	820PF	10%	50V
C706	1-124-477-11	ELECT	47uF	20%	25V
C707	1-164-039-11	CERAMIC	3PF	0.25PF	50V
C708	1-124-477-11	ELECT	47uF	20%	25V
C710	1-161-959-00	CERAMIC	22PF	10%	500V
C711	1-164-159-11	CERAMIC	0.1uF		50V
C712	1-137-372-11	FILM	0.022uF	5%	50V
C720	1-124-472-11	ELECT	470uF	20%	10V
C721	1-124-918-11	ELECT (D515)	47uF	20%	63V
C721	1-124-927-11	ELECT (D615)	4.7uF	20%	100V
C722	1-124-918-11	ELECT (D515)	47uF	20%	63V
C722	1-124-927-11	ELECT (D615)	4.7uF	20%	100V
C723	1-124-463-00	ELECT	0.1uF	20%	50V
C751	1-124-927-11	ELECT	4.7uF	20%	100V
C752	1-164-077-11	CERAMIC	220PF	10%	50V
C753	1-162-215-31	CERAMIC	47PF	5%	50V
C754	1-126-176-11	ELECT	220uF	20%	10V
C755	1-164-084-11	CERAMIC	820PF	10%	50V
C756	1-124-477-11	ELECT	47uF	20%	25V
C757	1-164-039-11	CERAMIC	3PF	0.25PF	50V
C758	1-124-477-11	ELECT	47uF	20%	25V
C760	1-161-959-00	CERAMIC	22PF	10%	500V
C761	1-164-159-11	CERAMIC	0.1uF		50V
C762	1-137-372-11	FILM	0.022uF	5%	50V
C801	1-124-477-11	ELECT	47uF	20%	25V
C802	1-124-477-11	ELECT	47uF	20%	25V
C803	1-107-766-11	ELECT (D515)	8200uF	20%	71V
C803	1-128-591-11	ELECT (D615)	6800uF	20%	56V
C804	1-107-766-11	ELECT (D515)	8200uF	20%	71V

**MAIN**

Ref. No.	Part No.	Description	Remark	Ref. No.	Part No.	Description	Remark
C804	1-128-591-11	ELECT (D615)	6800uF 20% 56V	D707	8-719-987-63	DIODE 1N4148M	
C805	1-137-420-11	FILM	0.047uF 10% 100V	D708	8-719-987-63	DIODE 1N4148M	
C806	1-137-420-11	FILM	0.047uF 10% 100V	D709	8-719-987-63	DIODE 1N4148M	
C807	1-124-477-11	ELECT	47uF 20% 25V	D710	8-719-815-85	DIODE 1S1585	
C808	1-124-477-11	ELECT	47uF 20% 25V	D751	8-719-933-41	DIODE HZS6C3L	
C811	1-124-618-11	ELECT	2200uF 20% 35V	D752	8-719-987-63	DIODE 1N4148M	
C812	1-124-618-11	ELECT	2200uF 20% 35V	D753	8-719-815-85	DIODE 1S1585	
C813	1-137-375-11	FILM	0.068uF 5% 50V	D801	8-719-002-33	DIODE UZL-24L	
C814	1-137-375-11	FILM	0.068uF 5% 50V	D802	8-719-302-38	DIODE RBV-602-01	
C815	1-124-464-11	ELECT	0.22uF 20% 50V	D803	8-719-312-09	DIODE RBA-402	
C816	1-124-477-11	ELECT	47uF 20% 25V	D804	8-719-010-38	DIODE UZ-5.1BSB	
C817	1-124-477-11	ELECT	47uF 20% 25V	D807	8-719-985-53	DIODE HZS4ALL	
C818	1-124-903-11	ELECT	1uF 20% 50V	D808	8-719-933-41	DIODE HZS6C3L	
C819	1-124-360-00	ELECT	1000uF 20% 16V	D809	8-719-933-41	DIODE HZS6C3L	
C820	1-161-494-00	CERAMIC	0.022uF 25V	D810	8-719-024-99	DIODE 11ES2	
C821	1-161-494-00	CERAMIC	0.022uF 25V	D811	8-719-024-99	DIODE 11ES2	
C822	1-124-477-11	ELECT	47uF 20% 25V	D812	8-719-024-99	DIODE 11ES2	
C823	1-124-477-11	ELECT	47uF 20% 25V	D813	8-719-024-99	DIODE 11ES2	
CC01-7	1-162-282-31	CERAMIC (G)	100PF 10% 50V	D814	8-719-987-63	DIODE 1N4148M	
CC51-55	1-162-282-31	CERAMIC (G)	100PF 10% 50V	D815	8-719-987-63	DIODE 1N4148M	
CC56	1-162-282-31	CERAMIC (G)	100PF 10% 50V	D817	8-719-001-30	DIODE UZL-9H3	
CC57	1-162-282-31	CERAMIC (G)	100PF 10% 50V	D818	8-719-987-63	DIODE 1N4148M (D615)	
< CONNECTOR >				< IC >			
* CNJ406	1-764-930-11	CONNECTOR, FFC (LIF (NON-ZIF)) 25P		IC300	8-759-248-75	IC LV1010	
* CNJ701	1-764-914-11	CONNECTOR, FFC (LIF (NON-ZIF)) 9P		IC301	8-759-248-74	IC LA2785	
* CNP403	1-750-384-11	CONNECTOR, BOARD TO BOARD 11P		IC302	8-759-636-74	IC M5218AP-22	
CNP405	1-691-161-11	PIN, CONNECTOR 4P		IC401	8-759-805-14	IC LC7822	
CNP701	1-750-388-11	PIN, CONNECTOR 5P		IC402	8-759-636-74	IC M5218AP-22	
* CNP706	1-564-674-11	PIN, CONNECTOR 8P		IC651	8-759-502-33	IC SI18752	
CNP801	1-764-906-11	PIN, CONNECTOR (D615:G)		IC671	8-759-502-33	IC SI18752 (D515)	
* CNP804	1-565-495-11	CONNECTOR, BOARD TO BOARD 4P		IC801	8-759-263-43	IC TA78M12S	
< DIODE >				IC802	8-759-700-69	IC NJM79L12A	
D600	8-719-987-63	DIODE 1N4148M (D615)		< JACK >			
D601	8-719-933-41	DIODE HZS6C3L (D615)		J401	1-695-188-21	JACK, PIN 4P (PHOTO IN, CD IN)	
D602	8-719-987-63	DIODE 1N4148M		J402	1-580-825-11	JACK, PIN 6P (TAPE/MD-REC OUT, TAPE/MD-IN)	
D603	8-719-815-85	DIODE 1S1585 (D615)		J403	1-573-028-21	JACK, PIN 4P (VIDEO-AUDIO OUT, VIDEO-AUDIO IN)	
D701	8-719-933-41	DIODE HZS6C3L		< COIL >			
D702	8-719-987-63	DIODE 1N4148M		L301	1-410-509-11	INDUCTOR 10uH	
D703	8-719-815-85	DIODE 1S1585		L302	1-410-509-11	INDUCTOR 10uH	
D704	8-719-815-85	DIODE 1S1585		L601	1-420-872-00	COIL, AIR CORE	
D706	8-719-987-63	DIODE 1N4148M		L651	1-420-872-00	COIL, AIR CORE	
				L671	1-420-872-00	COIL, AIR-CORE (D515)	
				L701	1-420-872-00	COIL, AIR CORE	
				L751	1-420-872-00	COIL, AIR CORE	

Ref. No.	Part No.	Description	Remark
< TRANSISTOR >			
Q261	8-729-119-78	TRANSISTOR 2SC403SP-51	
Q262	8-729-119-78	TRANSISTOR 2SC403SP-51	
Q305	8-729-141-30	TRANSISTOR 2SC3623A-LK	
Q306	8-729-141-30	TRANSISTOR 2SC3623A-LK	
Q307	8-729-141-30	TRANSISTOR 2SC3623A-LK	
Q308	8-729-141-30	TRANSISTOR 2SC3623A-LK	
Q600	8-729-140-82	TRANSISTOR 2SA988-PAFAEA (D615)	
Q601	8-729-620-18	TRANSISTOR 2SA979-FG (D615)	
Q602	8-729-119-78	TRANSISTOR 2SC403SP-51 (D615)	
Q603	8-729-119-78	TRANSISTOR 2SC403SP-51	
Q604	8-729-119-78	TRANSISTOR 2SC403SP-51 (D615)	
Q605	8-729-122-13	TRANSISTOR 2SA1221-K (D615)	
Q606	8-729-195-82	TRANSISTOR 2SC2958 (D615)	
Q607	8-729-209-15	TRANSISTOR 2SD2012 (D615)	
Q608	8-749-010-25	TRANSISTOR MN2488-OPY-M (D615)	
Q609	8-749-010-26	TRANSISTOR MP1620-OPY-M (D615)	
Q610	8-729-140-82	TRANSISTOR 2SA988-PAFAEA (D615)	
Q701	8-729-620-18	TRANSISTOR 2SA979-FG	
Q702	8-729-119-78	TRANSISTOR 2SC403SP-51	
Q703	8-729-140-82	TRANSISTOR 2SA988-PAFAEA	
Q704	8-729-119-78	TRANSISTOR 2SC403SP-51	
Q705	8-729-122-13	TRANSISTOR 2SA1221-K	
Q706	8-729-195-82	TRANSISTOR 2SC2958	
Q707	8-729-209-15	TRANSISTOR 2SD2012	
Q708	8-729-020-52	TRANSISTOR 2SD2439-OPY (D515)	
Q708	8-749-010-25	TRANSISTOR MN2488-OPY-M (D615)	
Q709	8-729-020-48	TRANSISTOR 2SB1588-OPY (D515)	
Q709	8-749-010-26	TRANSISTOR MP1620-OPY-M (D615)	
Q710	8-729-140-82	TRANSISTOR 2SA988-PAFAEA	
Q711	8-729-119-78	TRANSISTOR 2SC403SP-51	
Q712	8-729-140-82	TRANSISTOR 2SA988-PAFAEA	
Q713	8-729-140-84	TRANSISTOR 2SC1841-PAFAEA	
Q714	8-729-119-78	TRANSISTOR 2SC403SP-51	
Q751	8-729-620-18	TRANSISTOR 2SA979-FG	
Q752	8-729-119-78	TRANSISTOR 2SC403SP-51	
Q753	8-729-140-82	TRANSISTOR 2SA988-PAFAEA	
Q754	8-729-119-78	TRANSISTOR 2SC403SP-51	
Q755	8-729-122-13	TRANSISTOR 2SA1221-K	
Q756	8-729-195-82	TRANSISTOR 2SC2958	
Q757	8-729-209-15	TRANSISTOR 2SD2012	
Q758	8-729-020-52	TRANSISTOR 2SD2439-OPY (D515)	
Q758	8-749-010-25	TRANSISTOR MN2488-OPY-M (D615)	
Q759	8-729-020-48	TRANSISTOR 2SB1588-OPY (D515)	
Q759	8-749-010-26	TRANSISTOR MP1620-OPY-M (D615)	
Q760	8-729-140-82	TRANSISTOR 2SA988-PAFAEA	
Q801	8-729-140-97	TRANSISTOR 2SB734-34	
Q802	8-729-119-78	TRANSISTOR 2SC403SP-51	

Ref. No.	Part No.	Description	Remark
Q803	8-729-119-78	TRANSISTOR 2SC403SP-51	
Q804	8-729-119-76	TRANSISTOR 2SA1175-HFE	
Q805	8-729-119-76	TRANSISTOR 2SA1175-HFE	
Q806	8-729-119-78	TRANSISTOR 2SC403SP-51	
Q807	8-729-180-92	TRANSISTOR 2SD809-K	
Q808	8-729-180-92	TRANSISTOR 2SD809-K	
Q809	8-729-119-78	TRANSISTOR 2SC403SP-51 (D615)	
< RESISTOR >			
R269	1-249-433-11	CARBON 22K 5%	1/4W
R270	1-249-433-11	CARBON 22K 5%	1/4W
R300	1-247-903-00	CARBON 1M 5%	1/4W
R301	1-249-421-11	CARBON 2.2K 5%	1/4W
R302	1-249-421-11	CARBON 2.2K 5%	1/4W
R304	1-249-441-11	CARBON 100K 5%	1/4W
R306	1-249-436-11	CARBON 39K 5%	1/4W
R307	1-249-432-11	CARBON 18K 5%	1/4W
R308	1-249-421-11	CARBON 2.2K 5%	1/4W
R309	1-249-421-11	CARBON 2.2K 5%	1/4W
R353-356			
	1-249-425-11	CARBON 4.7K 5%	1/4W
R357	1-249-441-11	CARBON 100K 5%	1/4W
R358	1-249-441-11	CARBON 100K 5%	1/4W
R359-362			
	1-249-429-11	CARBON 10K 5%	1/4W
R363	1-249-411-11	CARBON 330 5%	1/4W
R365	1-249-417-11	CARBON 1K 5%	1/4W
R366	1-249-417-11	CARBON 1K 5%	1/4W
R401	1-249-411-11	CARBON 330 5%	1/4W
R402	1-249-425-11	CARBON 4.7K 5%	1/4W
R403-407			
	1-249-417-11	CARBON 1K 5%	1/4W
R408	1-249-429-11	CARBON 10K 5%	1/4W
R409	1-249-437-11	CARBON 47K 5%	1/4W
R410	1-247-897-11	CARBON 560K 5%	1/4W
R411	1-249-416-11	CARBON 820 5%	1/4W
R412	1-247-897-11	CARBON 560K 5%	1/4W
R413	1-249-437-11	CARBON 47K 5%	1/4W
R414	1-249-425-11	CARBON 4.7K 5%	1/4W
R416	1-249-417-11	CARBON 1K 5%	1/4W
R417	1-247-897-11	CARBON 560K 5%	1/4W
R435	1-249-418-11	CARBON 1.2K 5%	1/4W
R442	1-249-418-11	CARBON 1.2K 5%	1/4W
R443	1-249-418-11	CARBON 1.2K 5%	1/4W
R447	1-249-416-11	CARBON 820 5%	1/4W
R448	1-249-429-11	CARBON 10K 5%	1/4W
R449	1-249-433-11	CARBON 22K 5%	1/4W
R451	1-249-411-11	CARBON 330 5%	1/4W
R452	1-249-425-11	CARBON 4.7K 5%	1/4W

**MAIN**

Ref. No.	Part No.	Description	Remark		
R453-457	1-249-417-11	CARBON	1K	5%	1/4W
R458	1-249-429-11	CARBON	10K	5%	1/4W
R459	1-249-437-11	CARBON	47K	5%	1/4W
R460	1-247-897-11	CARBON	560K	5%	1/4W
R461	1-249-416-11	CARBON	820	5%	1/4W
R462	1-247-897-11	CARBON	560K	5%	1/4W
R463	1-249-437-11	CARBON	47K	5%	1/4W
R466	1-249-417-11	CARBON	1K	5%	1/4W
R467	1-247-897-11	CARBON	560K	5%	1/4W
R601	1-249-417-11	CARBON	1K	5%	1/4W (D615)
R602	1-249-435-11	CARBON	33K	5%	1/4W (D615)
R603	1-249-409-11	CARBON	220	5%	1/4W (D615)
R604	1-249-434-11	CARBON	27K	5%	1/4W (D615)
R605	1-249-415-11	CARBON	680	5%	1/4W (D615)
△R606	1-249-409-11	CARBON (D615)	220	5%	1/4W F
R607	1-249-421-11	CARBON	2.2K	5%	1/4W (D615)
R608	1-249-433-11	CARBON	22K	5%	1/4W (D615)
△R609	1-249-409-11	CARBON (D615)	220	5%	1/4W F
R610	1-249-414-11	CARBON	560	5%	1/4W (D615)
R611	1-249-426-11	CARBON	5.6K	5%	1/4W
R612	1-249-422-11	CARBON	2.7K	5%	1/4W (D615)
△R613	1-249-397-11	CARBON (D615)	22	5%	1/4W F
R614	1-249-415-11	CARBON	680	5%	1/4W (D615)
R615	1-249-409-11	CARBON	220	5%	1/4W (D615)
△R616	1-249-397-11	CARBON (D615)	22	5%	1/4W F
R617	1-249-428-11	CARBON	8.2K	5%	1/4W (D615)
R618	1-249-393-11	CARBON	10	5%	1/4W (D615)
R619	1-249-393-11	CARBON	10	5%	1/4W (D615)
△R620	1-208-602-11	WIREWOUND (D615)	0.22	10%	2W F
△R621	1-208-602-11	WIREWOUND (D615)	0.22	10%	2W F
R622	1-249-425-11	CARBON	4.7K	5%	1/4W (D615)
R623	1-249-431-11	CARBON	15K	5%	1/4W (D615)
△R624	1-249-393-11	CARBON	10	5%	1/4W F
R625	1-249-389-11	CARBON	4.7	5%	1/4W
R626	1-247-866-11	CARBON	30K	5%	1/4W (D615)
R627	1-249-435-11	CARBON	33K	5%	1/4W (D615)
R651	1-249-438-11	CARBON	56K	5%	1/4W
R652	1-249-417-11	CARBON	1K	5%	1/4W
R653	1-249-409-11	CARBON	220	5%	1/4W (D515)
R653	1-249-411-11	CARBON	330	5%	1/4W (D615)
R654	1-247-866-11	CARBON	30K	5%	1/4W (D615)
R654	1-249-431-11	CARBON	15K	5%	1/4W (D515)
R655	1-249-426-11	CARBON	5.6K	5%	1/4W

Ref. No.	Part No.	Description	Remark		
△R658	1-249-393-11	CARBON	10	5%	1/4W F
△R659	1-249-389-11	CARBON	4.7	5%	1/4W F
R660	1-249-437-11	CARBON	47K	5%	1/4W
R671	1-249-438-11	CARBON	56K	5%	1/4W (D515)
R672	1-249-417-11	CARBON	1K	5%	1/4W (D515)
R673	1-249-410-11	CARBON	270	5%	1/4W (D515)
R674	1-249-438-11	CARBON	56K	5%	1/4W (D515)
R680	1-249-435-11	CARBON	33K	5%	1/4W (D515)
R701	1-249-421-11	CARBON	2.2K	5%	1/4W
R702	1-249-435-11	CARBON	33K	5%	1/4W
R703	1-249-409-11	CARBON	220	5%	1/4W (D615)
R703	1-249-410-11	CARBON	270	5%	1/4W (D515)
R704	1-249-434-11	CARBON	27K	5%	1/4W
R705	1-249-415-11	CARBON	680	5%	1/4W
△R706	1-249-409-11	CARBON	220	5%	1/4W F
R707	1-249-421-11	CARBON	2.2K	5%	1/4W
R708	1-249-433-11	CARBON	22K	5%	1/4W
△R709	1-249-409-11	CARBON	220	5%	1/4W F
R710	1-247-866-11	CARBON	30K	5%	1/4W
R711	1-249-414-11	CARBON	560	5%	1/4W
R712	1-249-422-11	CARBON	2.7K	5%	1/4W
△R713	1-249-397-11	CARBON	22	5%	1/4W F
R714	1-249-415-11	CARBON	680	5%	1/4W
R715	1-249-409-11	CARBON	220	5%	1/4W
△R716	1-249-397-11	CARBON	22	5%	1/4W F
R717	1-249-428-11	CARBON	8.2K	5%	1/4W
△R718	1-249-393-11	CARBON	10	5%	1/4W F
△R719	1-249-393-11	CARBON	10	5%	1/4W F
△R720	1-208-601-11	WIREWOUND (D515)	0.1	10%	2W F
△R720	1-208-602-11	WIREWOUND (D615)	0.22	10%	2W F
△R721	1-208-601-11	WIREWOUND (D515)	0.1	10%	2W F
△R721	1-208-602-11	WIREWOUND (D615)	0.22	10%	2W F
R722	1-249-417-11	CARBON	1K	5%	1/4W (D515)
R722	1-249-425-11	CARBON	4.7K	5%	1/4W (D615)
R723	1-249-431-11	CARBON	15K	5%	1/4W
△R724	1-249-393-11	CARBON	10	5%	1/4W F
△R725	1-249-389-11	CARBON	4.7	5%	1/4W F
R727	1-249-437-11	CARBON	47K	5%	1/4W
R729	1-249-399-11	CARBON	33	5%	1/4W
△R730	1-249-399-11	CARBON	33	5%	1/4W F
R731	1-249-429-11	CARBON	10K	5%	1/4W
R732	1-249-417-11	CARBON	1K	5%	1/4W
R733	1-249-435-11	CARBON	33K	5%	1/4W
R734	1-249-427-11	CARBON	6.8K	5%	1/4W
R737	1-249-429-11	CARBON	10K	5%	1/4W

<p>The components identified by mark △ or dotted line with mark △ are critical for safety. Replace only with part number specified.</p>	<p>Les composants identifiés par une marque △ sont critiques pour la sécurité. Ne les remplacer qu'avec une pièce portant le numéro spécifié.</p>
---	---

Ref. No.	Part No.	Description	Remark		
R751	1-249-421-11	CARBON	2.2K	5%	1/4W
R752	1-249-435-11	CARBON	33K	5%	1/4W
R753	1-249-409-11	CARBON	220	5%	1/4W (D615)
R753	1-249-410-11	CARBON	270	5%	1/4W (D515)
R754	1-249-434-11	CARBON	27K	5%	1/4W
R755	1-249-415-11	CARBON	680	5%	1/4W
△R756	1-249-409-11	CARBON	220	5%	1/4W F
R757	1-249-421-11	CARBON	2.2K	5%	1/4W
R758	1-249-433-11	CARBON	22K	5%	1/4W
△R759	1-249-409-11	CARBON	220	5%	1/4W F
R760	1-247-866-11	CARBON	30K	5%	1/4W
R761	1-249-414-11	CARBON	560	5%	1/4W
R762	1-249-422-11	CARBON	2.7K	5%	1/4W
R763	1-249-397-11	CARBON	22	5%	1/4W
R764	1-249-415-11	CARBON	680	5%	1/4W
R765	1-249-409-11	CARBON	220	5%	1/4W
△R766	1-249-397-11	CARBON	22	5%	1/4W F
R767	1-249-428-11	CARBON	8.2K	5%	1/4W
△R768	1-249-393-11	CARBON	10	5%	1/4W F
△R769	1-249-393-11	CARBON	10	5%	1/4W F
△R770	1-208-601-11	WIREWOUND (D515)	0.1	10%	2W F
△R770	1-208-602-11	WIREWOUND (D615)	0.22	10%	2W F
△R771	1-208-601-11	WIREWOUND (D515)	0.1	10%	2W F
△R771	1-208-602-11	WIREWOUND (D615)	0.22	10%	2W F
R772	1-249-425-11	CARBON	4.7K	5%	1/4W (D615)
R772	1-249-417-11	CARBON	1K	5%	1/4W (D515)
R773	1-249-431-11	CARBON	15K	5%	1/4W
△R774	1-249-393-11	CARBON	10	5%	1/4W F
△R775	1-249-389-11	CARBON	4.7	5%	1/4W F
R777	1-249-438-11	CARBON	56K	5%	1/4W
R801	1-249-423-11	CARBON	3.3K	5%	1/4W
△R802	1-249-399-11	CARBON	33	5%	1/4W F
R805	1-216-446-00	METAL OXIDE	18	5%	2W
R806	1-249-425-11	CARBON	4.7K	5%	1/4W
R807	1-249-437-11	CARBON	47K	5%	1/4W
△R808	1-249-405-11	CARBON	100	5%	1/4W F
R811	1-249-417-11	CARBON	1K	5%	1/4W
R812	1-249-426-11	CARBON	5.6K	5%	1/4W
R813	1-249-426-11	CARBON	5.6K	5%	1/4W
R814	1-249-429-11	CARBON	10K	5%	1/4W
R815	1-249-429-11	CARBON	10K	5%	1/4W
R816	1-249-417-11	CARBON	1K	5%	1/4W F
R817	1-249-429-11	CARBON	10K	5%	1/4W
R819	1-249-423-11	CARBON	3.3K	5%	1/4W F
R820	1-249-437-11	CARBON	47K	5%	1/4W

Ref. No.	Part No.	Description	Remark		
R822	1-247-811-31	CARBON	150	5%	1/4W
R824	1-249-425-11	CARBON	4.7K	5%	1/4W (D615)
RR01	1-249-417-11	CARBON	1K	5%	1/4W (G)
RR51	1-249-417-11	CARBON	1K	5%	1/4W (G)
< RELAY >					
RY601	1-515-920-11	RELAY (24V)			
RY701	1-515-920-11	RELAY (24V)			
RY801	1-515-894-11	RELAY (EXCEPT CND)			
RY851	1-515-918-11	RELAY (CND)			
RY852	1-515-918-11	RELAY (CND)			
< TERMINAL >					
TM001	1-537-240-51	TERMINAL BOARD (ANTENNA) (US, CND, E)			
TM001	1-537-714-11	TERMINAL BOARD (ANTENNA) (AEP, G, AUS)			
TM601	1-537-510-11	TERMINAL BOARD (SPEAKER) (6P) (SURROUND SPEAKERS)			
TM701	1-537-376-11	TERMINAL BOARD (SP) (FRONT SPEAKERS)			
< TUNER >					
TU001	1-239-562-11	TUNER UNIT (G)			
TU001	1-239-611-11	TUNER UNIT (AEP, E, AUS)			
TU001	1-239-850-11	TUNER UNIT (US, CND)			
< VIBRATOR >					
X301	1-579-952-21	VIBRATOR, CERAMIC (8MHz)			
*****					
*	A-4369-657-A	MOTOR VR BOARD, COMPLETE (D515)			
*	A-4369-681-A	MOTOR VR BOARD, COMPLETE (D615)			
*****					
< CAPACITOR >					
C420	1-162-207-31	CERAMIC	22PF	5%	50V
C425	1-126-096-11	ELECT	10uF	20%	35V
C426	1-126-096-11	ELECT	10uF	20%	35V
C427	1-124-252-00	ELECT	0.33uF	20%	50V
C428	1-130-489-00	MYLAR	0.033uF	5%	50V
C429	1-164-070-11	CERAMIC	100PF	5%	50V
C430	1-126-301-11	ELECT	1uF	20%	50V
C431	1-126-301-11	ELECT	1uF	20%	50V
C432	1-126-096-11	ELECT	10uF	20%	35V
C433	1-126-096-11	ELECT	10uF	20%	35V
C470	1-162-207-31	CERAMIC	22PF	5%	50V
C475	1-126-096-11	ELECT	10uF	20%	35V
C476	1-126-096-11	ELECT	10uF	20%	35V
C477	1-124-252-00	ELECT	0.33uF	20%	50V
C478	1-130-489-00	MYLAR	0.033uF	5%	50V
C479	1-164-070-11	CERAMIC	100PF	5%	50V
C492	1-124-464-11	ELECT	0.22uF	20%	50V

The components identified by mark △ or dotted line with mark △ are critical for safety. Replace only with part number specified.

Les composants identifiés par une marque △ sont critiques pour la sécurité. Ne les remplacer que par une pièce portant le numéro spécifié.

# MOTOR VR

# PS

Ref. No.	Part No.	Description	Remark
< CONNECTOR >			
* CNJ403	1-750-383-11	CONNECTOR, BOARD TO BOARD 11P	
* CNJ404	1-764-950-11	CONNECTOR, FFC (LIF (NON-ZIF)) 9P	
* CNP401	1-566-971-11	PIN, CONNECTOR (PC BOARD) 6P	
* CNP402	1-566-972-11	PIN, CONNECTOR (PC BOARD) 7P	
< DIODE >			
D421	8-719-987-63	DIODE 1N4148M	
< IC >			
IC404	8-759-636-74	IC M5218AP-22	
< TRANSISTOR >			
Q401	8-729-202-67	TRANSISTOR 2SK246-GR3	
Q402	8-729-141-30	TRANSISTOR 2SC3623A-LK	
Q403	8-729-141-30	TRANSISTOR 2SC3623A-LK	
Q451	8-729-202-67	TRANSISTOR 2SK246-GR3	
Q452	8-729-141-30	TRANSISTOR 2SC3623A-LK	
Q453	8-729-141-30	TRANSISTOR 2SC3623A-LK	
< RESISTOR >			
R425	1-249-428-11	CARBON 8.2K 5%	1/4W
R426	1-249-438-11	CARBON 56K 5%	1/4W
R427	1-249-417-11	CARBON 1K 5%	1/4W
R428	1-249-425-11	CARBON 4.7K 5%	1/4W
R430	1-249-437-11	CARBON 47K 5%	1/4W
R431	1-249-423-11	CARBON 3.3K 5%	1/4W
R432	1-247-883-00	CARBON 150K 5%	1/4W
R433	1-249-427-11	CARBON 6.8K 5%	1/4W
R434	1-249-412-11	CARBON 390 5%	1/4W
R436	1-249-441-11	CARBON 100K 5%	1/4W
R438	1-249-441-11	CARBON 100K 5%	1/4W
R441	1-249-441-11	CARBON 100K 5%	1/4W
R446	1-247-807-31	CARBON 100 5%	1/4W
R464	1-247-903-00	CARBON 1M 5%	1/4W
R469	1-247-903-00	CARBON 1M 5%	1/4W
R475	1-249-428-11	CARBON 8.2K 5%	1/4W
R476	1-249-438-11	CARBON 56K 5%	1/4W
R477	1-249-417-11	CARBON 1K 5%	1/4W
R478	1-249-425-11	CARBON 4.7K 5%	1/4W
R480	1-249-437-11	CARBON 47K 5%	1/4W
R481	1-249-423-11	CARBON 3.3K 5%	1/4W
R482	1-247-883-00	CARBON 150K 5%	1/4W
R483	1-249-427-11	CARBON 6.8K 5%	1/4W
R484	1-249-412-11	CARBON 390 5%	1/4W
R491	1-249-441-11	CARBON 100K 5%	1/4W
R492	1-247-903-00	CARBON 1M 5%	1/4W

Ref. No.	Part No.	Description	Remark
R496	1-247-807-31	CARBON 100 5%	1/4W
< VARIABLE RESISTOR >			
RV404	1-241-816-11	RES, VAR, CARBON 100KX4 (MASTER VOLUME)	
*****			
*	1-651-921-11	PS BOARD	
*****			
	1-533-293-11	FUSE HOLDER	
< CAPACITOR >			
△CC91	1-161-741-00	CERAMIC 0.001uF	10% 400V (G)
△CC92	1-161-741-00	CERAMIC 0.001uF	10% 400V (G)
< AC OUTLET >			
△CNJ902	1-540-038-11	OUTLET, AC (NON-POLAR) (AC OUTLET) (E)	
△CNJ902	1-540-057-11	OUTLET, AC (POLAR) (AC OUTLET) (US, CND)	
< CONNECTOR >			
* CNP805	1-565-495-11	CONNECTOR, BOARD TO BOARD 4P	
CNP901	1-564-321-00	PIN, CONNECTOR 2P	
CNP902	1-580-230-11	PIN, CONNECTOR (PC BOARD) 3P	
CNP903	1-580-230-11	PIN, CONNECTOR (PC BOARD) 3P	
CNP905	1-564-320-00	PIN, CONNECTOR (B2P-VH) 2P (E)	
* CNP906	1-564-241-00	PIN, CONNECTOR (B4P-VH) 4P (E)	
< DIODE >			
D816	8-719-987-63	DIODE 1N4148M	
< FUSE >			
△F902	1-532-259-00	FUSE (T1.6AL/250V) (EXCEPT US, CND)	
△F902	1-576-109-11	FUSE (5A/125V) (US, CND)	
△F903	1-532-259-00	FUSE (T1.6AL/250V) (AEP, G, AUS)	
< RESISTOR >			
△R901	1-202-725-00	SOLID 3.3M 10%	1/W F (US, CND)
< RELAY >			
△RY901	1-515-738-11	RELAY, POWER	
< TRANSFORMER >			
△T902	1-450-358-11	TRANSFORMER, POWER (EXCEPT US, CND)	
△T902	1-450-361-11	TRANSFORMER, POWER (US, CND)	
*****			

The components identified by mark △ or dotted line with mark △ are critical for safety. Replace only with part number specified.

Les composants identifiés par une marque △ sont critiques pour la sécurité. Ne les remplacer que par une pièce portant le numéro spécifié.



**SP CONNECTOR****SP SW (A)****SP SW (B)****SYS SW****STONE****TRANS TM**

Ref.No.	Part No.	Description	Remark
*	1-651-901-11	SP CONNECTOR BOARD ***** < CONNECTOR >	
	CNJ703 1-750-390-11	SOCKET 5P *****	
*	1-651-899-11	SP SW (A) BOARD ***** < CONNECTOR >	
	CNJ702 1-691-173-11	CONNECTOR (BOARD TO BOARD) 3P < SWITCH >	
	S701 1-571-854-21	SWITCH, PUSH (2 KEY) (SPEAKERS A, B) *****	
*	1-651-900-11	SP SW (B) BOARD ***** *****	
*	1-651-911-11	SYS SW BOARD ***** < CONNECTOR >	
	CNP201 1-764-905-11	PLUG, CONNECTOR 7P < SWITCH >	
	S200 1-554-303-21	SWITCH, TACTILE (POWER)	
	S213 1-554-303-21	SWITCH, TACTILE (REAR LEVEL +)	
	S214 1-554-303-21	SWITCH, TACTILE (REAR LEVEL -)	
	S215 1-554-303-21	SWITCH, TACTILE (CENTER LEVEL +)	
	S216 1-554-303-21	SWITCH, TACTILE (CENTER LEVEL -) *****	
*	1-651-898-11	TONE BOARD ***** < CAPACITOR >	
	C421 1-137-440-11	FILM 0.018uF 5% 50V	
	C422 1-124-463-00	ELECT 0.1uF 20% 50V	
	C423 1-137-368-11	FILM 0.0047uF 5% 50V	
	C424 1-137-372-11	FILM 0.022uF 5% 50V	
	C471 1-137-440-11	FILM 0.018uF 5% 50V	
	C472 1-124-463-00	ELECT 0.1uF 20% 50V	
	C473 1-137-368-11	FILM 0.0047uF 5% 50V	
	C474 1-137-372-11	FILM 0.022uF 5% 50V	

Ref.No.	Part No.	Description	Remark
		< CONNECTOR >	
*	CNJ405 1-566-968-11	HOUSING, CONNECTOR (PC BOARD) 6P	
*	CNP202 1-569-798-11	PLUG, CONNECTOR 6P	
		< DIODE >	
	D212 8-719-313-72	LED SEL3810A-CD (MUTING)	
	D213 8-719-313-72	LED SEL3810A-CD (LOW BOOST)	
		< RESISTOR >	
	R421 1-249-430-11	CARBON 12K 5% 1/4W	
	R422 1-249-422-11	CARBON 2.7K 5% 1/4W	
	R429 1-249-415-11	CARBON 680 5% 1/4W	
	R437 1-247-903-00	CARBON 1M 5% 1/4W	
	R440 1-247-903-00	CARBON 1M 5% 1/4W	
	R471 1-249-430-11	CARBON 12K 5% 1/4W	
	R472 1-249-422-11	CARBON 2.7K 5% 1/4W	
	R479 1-249-415-11	CARBON 680 5% 1/4W	
	R487 1-247-903-00	CARBON 1M 5% 1/4W	
	R490 1-247-903-00	CARBON 1M 5% 1/4W	
		< VARIABLE RESISTOR >	
	RV421 1-223-362-11	RES. VAR. CARBON 100K/100K (BASS)	
	RV422 1-223-363-11	RES. VAR. CARBON 125K/125K (TREBLE)	
	RV423 1-238-965-21	RES. VAR. CARBON 100K/100K (BALANCE)	
		< SWITCH >	
	S243 1-554-303-21	SWITCH, TACTILE (LOW BOOST)	
	S253 1-554-303-21	SWITCH, TACTILE (MUTING) *****	
*	1-651-909-11	TRANS TM BOARD *****	
	1-533-293-11	FUSE HOLDER	
		< CONNECTOR >	
*	CNP806 1-564-905-11	PIN, CONNECTOR 9P	
	CNP807 1-564-505-11	PLUG, CONNECTOR 2P (D615)	
		< FUSE >	
	△F801 1-532-350-00	FUSE (T3.15A) (EXCEPT US, CND)	
	△F801 1-567-107-11	FUSE (3.15A/250V) (US, CND)	
	△F802 1-532-350-00	FUSE (T3.15A) (EXCEPT US, CND)	
	△F802 1-567-107-11	FUSE (3.15A/250V) (US, CND) *****	

The components identified by mark △ or dotted line with mark. △ are critical for safety. Replace only with part number specified.

Les composants identifiés par une marque △ sont critiques pour la sécurité. Ne les remplacer que par une pièce portant le numéro spécifié.

# VIDEO

# VOL SELECT

Ref. No.	Part No.	Description	Remark
*	1-651-905-11	VIDEO BOARD *****	
		< CAPACITOR >	
C250	1-124-927-11	ELECT 4.7uF	20% 100V
C252	1-124-927-11	ELECT 4.7uF	20% 100V
C253	1-124-472-11	ELECT 470uF	20% 10V
C254	1-124-472-11	ELECT 470uF	20% 10V
C258	1-164-159-11	CERAMIC 0.1uF	50V
C259	1-124-477-11	ELECT 47uF	20% 25V
		< CONNECTOR >	
* CNJ251	1-691-174-11	CONNECTOR (BOARD TO BOARD) 4P	
		< IC >	
IC251	8-759-000-48	IC MC14052BCP	
		< JACK >	
J250	1-695-317-21	JACK, PIN 2P (TV/LD-VIDEO IN, VIDEO-VIDEO OUT)	
J251	1-695-317-21	JACK, PIN 2P (VIDEO-VIDEO IN, MONITOR-VIDEO OUT)	
		< TRANSISTOR >	
Q251	8-729-119-78	TRANSISTOR 2SC403SP-51	
Q256	8-729-119-78	TRANSISTOR 2SC403SP-51	
Q257	8-729-119-78	TRANSISTOR 2SC403SP-51	
Q258	8-729-119-78	TRANSISTOR 2SC403SP-51	
Q259	8-729-119-78	TRANSISTOR 2SC403SP-51	
Q260	8-729-119-78	TRANSISTOR 2SC403SP-51	
		< RESISTOR >	
R251-253			
	1-247-804-11	CARBON 75 5% 1/4W	
R254	1-249-429-11	CARBON 10K 5% 1/4W	
R255	1-249-411-11	CARBON 330 5% 1/4W	
R260	1-249-435-11	CARBON 33K 5% 1/4W	
R261	1-249-430-11	CARBON 12K 5% 1/4W	
R262	1-247-804-11	CARBON 75 5% 1/4W	
R263	1-249-429-11	CARBON 10K 5% 1/4W	
R264	1-249-411-11	CARBON 330 5% 1/4W	
R265	1-249-423-11	CARBON 3.3K 5% 1/4W	
R266	1-249-422-11	CARBON 2.7K 5% 1/4W	
R267	1-249-421-11	CARBON 2.2K 5% 1/4W	
R268	1-249-413-11	CARBON 470 5% 1/4W	
*****			

Ref. No.	Part No.	Description	Remark
*	1-651-927-11	VOL SELECT BOARD (E) *****	
	1-533-217-31	HOLDER, FUSE (E)	
		< CONNECTOR >	
* CNP907	1-564-215-11	PIN, CONNECTOR 4P (E)	
CNP908	1-564-321-00	PIN, CONNECTOR 2P (E)	
* CNP910	1-564-687-11	PIN, CONNECTOR 3P (E)	
		< FUSE >	
△F904	1-532-286-00	FUSE (3.15A/250V) (E)	
		< SWITCH >	
△S901	1-571-437-11	SWITCH, POWER VOLTAGE CHANGE (VOLTAGE SELECTOR) (E)	
*****			
		MISCELLANEOUS *****	
9	1-765-307-11	WIRE (FLAT TYPE) (25 CORE)	
10	1-765-298-11	WIRE (FLAT TYPE) (9 CORE)	
57	1-533-217-31	HOLDER, FUSE	
△61	1-575-651-11	CORD, POWER (AEP, G)	
△61	1-575-653-11	CORD, POWER (E)	
△61	1-690-609-11	CORD, POWER (US, CND)	
△61	1-696-848-21	CORD, POWER (AUS)	
△CNJ903	1-251-078-11	OUTLET, AC (AC OUTLET) (AUS)	
△CNJ903	1-526-794-11	OUTLET, AC (AC OUTLET) (AEP, G)	
△F801	1-532-350-00	FUSE (T3.15AL) (EXCEPT US, CND)	
△F801	1-576-107-11	FUSE (3.15A/250V) (US, CND)	
△F802	1-532-350-00	FUSE (T3.15AL) (EXCEPT US, CND)	
△F802	1-576-107-11	FUSE (3.15A/250V) (US, CND)	
△F902	1-532-259-00	FUSE (T1.6AL/250V) (EXCEPT US, CND)	
△F902	1-576-109-11	FUSE (T5A/125V) (US, CND)	
△F903	1-532-259-00	FUSE (T1.6AL/250V) (AEP, G, AUS)	
△F904	1-532-286-00	FUSE (3.15A/250V) (E)	
△T901	1-426-708-11	TRANSFORMER, POWER (D615:US, CND)	
△T901	1-426-708-11	TRANSFORMER, POWER (D615:US, CND)	
△T901	1-426-709-11	TRANSFORMER, POWER (D615:AEP, G, AUS)	
△T901	1-426-710-11	TRANSFORMER, POWER (E)	
△T901	1-426-711-11	TRANSFORMER, POWER (D515:US, CND)	
△T901	1-426-712-11	TRANSFORMER, POWER (D515:AEP, G, AUS)	
*****			

The components identified by mark △ or dotted line with mark △ are critical for safety. Replace only with part number specified.	Les composants identifiés par une marque △ sont critiques pour la sécurité. Ne les remplacer que par une pièce portant le numéro spécifié.
--	--

Ref. No.	Part No.	Description	Remark
----------	----------	-------------	--------

\*\*\*\*\*  
**HARDWARE LIST**  
 \*\*\*\*\*

#1	7-621-849-00	SCREW, TAPPING	
#2	7-682-547-09	SCREW +BVTT 3X6 (S)	
#3	7-682-548-04	SCREW +BVTT 3X8 (S)	
#4	7-682-548-09	SCREW +BVTT 3X8 (S)	
#5	7-682-560-04	SCREW +BVTT 4X6 (S)	
#6	7-685-646-79	SCREW +BVTP 3X8 TYPE2 N-S	

\*\*\*\*\*

ACCESSORIES & PACKING MATERIALS  
 \*\*\*\*\*

	1-467-636-11	REMOTE COMMANDER (RM-U242) (D515/D615:US, CND)	
	1-467-710-11	REMOTE COMMANDER (RM-P342) (D615:AEP, E, G, AUS)	
	1-501-374-11	ANTENNA, LOOP	
	3-758-408-11	MANUAL, INSTRUCTION (ENGLISH, FRENCH, GERMAN, DUTCH) (AEP)	
	3-758-408-21	MANUAL, INSTRUCTION (ENGLISH) (US, CND, AUS)	
	3-758-408-31	MANUAL, INSTRUCTION (FRENCH) (CND)	
	3-758-408-41	MANUAL, INSTRUCTION (SPANISH, SWEDISH, DANISH, FINNISH) (AEP)	
	3-758-408-51	MANUAL, INSTRUCTION (GERMAN) (G)	
	3-758-408-61	MANUAL, INSTRUCTION (ENGLISH, FRENCH, SPANISH, CHINESE) (E)	
	3-758-708-21	MANUAL, INSTRUCTION (ENGLISH) (D615:AUS)	
*	4-952-676-01	CUSHION	
*	4-967-026-01	INDIVIDUAL CARTON (D515:US, CND, AUS)	
*	4-967-027-01	INDIVIDUAL CARTON (D515:AEP, G)	
*	4-967-028-01	INDIVIDUAL CARTON (D615:US, CND, E, AUS)	
*	4-967-029-01	INDIVIDUAL CARTON (D615:AEP, G)	

# STR-D515/D615

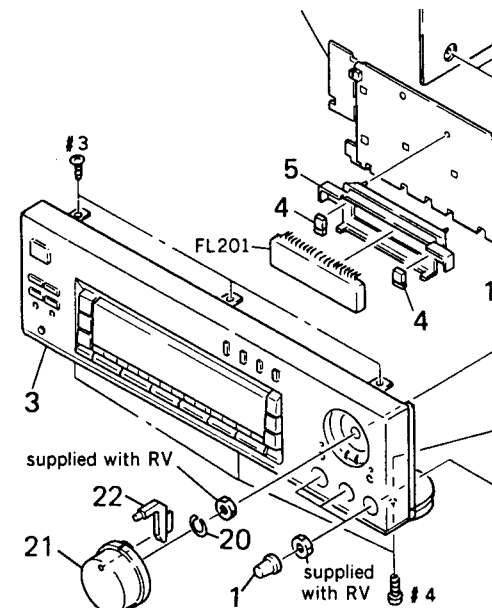
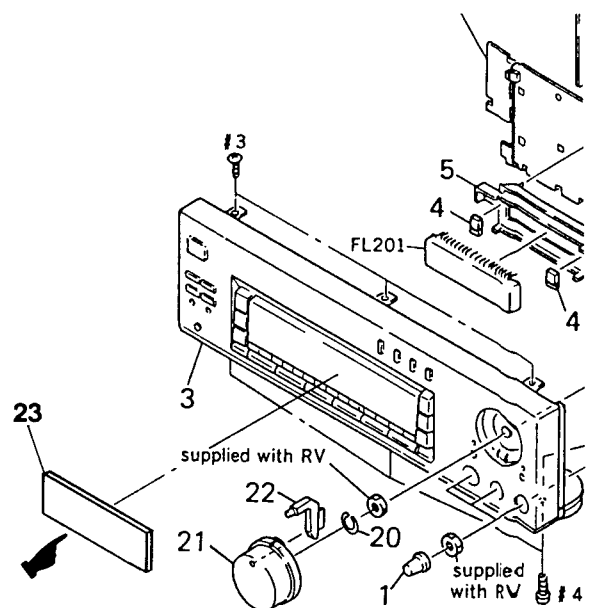
## SONY SERVICE MANUAL

US Model  
Canadian Model  
AEP Model  
UK Model  
Australian Model  
STR-D515/D615  
E Model  
STR-D615  
Mexican Model  
STR-D515

### SUPPLEMENT-1

Revise your service manual as shown below due to parts supply classification has been changed.

 : indicates revised portion

Page	CURRENT	REVISED																								
29																										
	<table border="1"> <thead> <tr> <th>Ref. No.</th> <th>Part No.</th> <th>Description</th> <th>Remark</th> </tr> </thead> <tbody> <tr> <td></td> <td></td> <td></td> <td></td> </tr> <tr> <td></td> <td></td> <td></td> <td></td> </tr> </tbody> </table>	Ref. No.	Part No.	Description	Remark									<table border="1"> <thead> <tr> <th>Ref. No.</th> <th>Part No.</th> <th>Description</th> <th>Remark</th> </tr> </thead> <tbody> <tr> <td>23</td> <td>4-965-344-05</td> <td>PLATE, INDICATION (US, Canadian, Mexican)</td> <td></td> </tr> <tr> <td>23</td> <td>4-965-344-15</td> <td>PLATE, INDICATION (AEP, UK, E, Australian, German)</td> <td></td> </tr> </tbody> </table>	Ref. No.	Part No.	Description	Remark	23	4-965-344-05	PLATE, INDICATION (US, Canadian, Mexican)		23	4-965-344-15	PLATE, INDICATION (AEP, UK, E, Australian, German)	
Ref. No.	Part No.	Description	Remark																							
Ref. No.	Part No.	Description	Remark																							
23	4-965-344-05	PLATE, INDICATION (US, Canadian, Mexican)																								
23	4-965-344-15	PLATE, INDICATION (AEP, UK, E, Australian, German)																								

(RPC-95014)

# STR-D515/D615

## SONY<sup>®</sup> SERVICE MANUAL

*US Model*  
*Canadian Model*  
*AEP Model*  
*UK Model*  
*Australian Model*

### CORRECTION-1

Correct your service manual as shown below.

STR-D515/D615

*E Model*

STR-D615

*Mexican Model*

STR-D515

 : indicates corrected portion.

Page	INCORRECT			CORRECT			
	Ref. No.	Part No.	Description	Remark	Part No.	Description	Remark
31	Q709	8-749-101-26	TRANSISTOR MP1620-OPY-M (D615)		8-749-010-26	TRANSISTOR MP1620-OPY-M (D615)	

(RPC-94018)