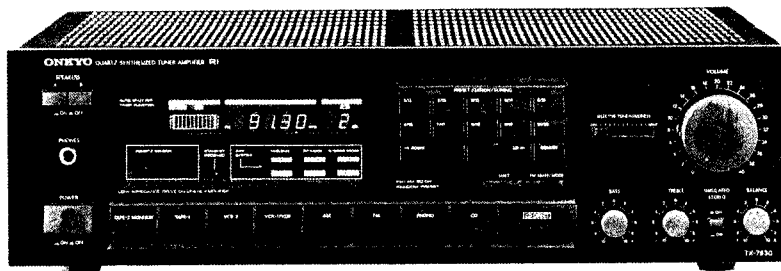


# ONKYO SERVICE MANUAL

## QUARTZ SYNTHESIZED TUNER AMPLIFIER MODEL TX-7530



Black and Silver models

### SAFETY-RELATED COMPONENT WARNING!!

COMPONENTS IDENTIFIED BY MARK  $\Delta$  ON THE SCHEMATIC DIAGRAM AND IN THE PARTS LIST ARE CRITICAL FOR RISK OF FIRE AND ELECTRIC SHOCK. REPLACE THESE COMPONENTS WITH ONKYO PARTS WHOSE PART NUMBERS APPEAR AS SHOWN IN THIS MANUAL.

MAKE LEAKAGE-CURRENT OR RESISTANCE MEASUREMENTS TO DETERMINE THAT EXPOSED PARTS ARE ACCEPTABLY INSULATED FROM THE SUPPLY CIRCUIT BEFORE RETURNING THE APPLIANCE TO THE CUSTOMER.

## TABLE OF CONTENTS

Specifications	2
Service procedures	3
Exploded view	4
Parts list	5
Connection diagram of microprocessor	6
Block diagram of IC	7
Adjustment procedures	14
Pc board view/parts list	
Display/preamp./speaker	17
AM/FM tuner and selector circuit	21
Power amplifier	26
Other pc boards	27
Schematic diagram	
Tuner	19
Amp.	23
Block diagram	29
Disassembling procedures	31
Packing view	32

**ONKYO**  
**AUDIO COMPONENTS**

# SPECIFICATIONS

**AMPLIFIER SECTION**

Power output:	58 watts per channel, min, RMS, at 8ohms, both channels driven,from 20Hz to 20kHz, with no more than 0.08% total harmonic distortion.
Musical Power Output:	2 × 150 watts at 4 ohms, 1kHz (DIN) 2 × 90 watts at 8 ohms, 1kHz (DIN)
Continuous Power Output:	2 × 85 watts at 4 ohms, 1kHz (DIN) 2 × 65 watts at 8 ohms, 1kHz (DIN)
Total Harmonic Distortion:	0.08% at rated power 0.08% at 1 watts output
IM Distortion:	0.08% at rated power 0.08% at 1 watts output
Damping Factor:	40 at 8 ohms
Frequency Response:	20-30,000Hz ±1dB
RIAA Diviation:	20-20,000Hz ±0.8dB
Sensitivity and Impedance:	Phono: 2.5mV/50 kohms CD: 150mV/50 kohms Tape Play: 150mV/50 kohms Tape Rec: 150mV/3.5 kohms
Phono Overload(MM):	120mV RMS at 1kHz, 0.08% THD.
Signal-to-Noise Ratio:	Phono: 85dB(at 10mV input, A weighted) 75dB(IHF A-202) CD/Tape: 95dB(A weighterd) 80dB(IHF A-202)
Tone controls:	Bass: ±10dB at 100Hz Treble: ±10dB at 10kHz

**TUNER SECTION****FM:**

Tuning Range:	87.50-108.00MHz(50kHz steps)
Usable Sensitivity:	Mono: 12.8dBf,1.2 μV,75ohms 1.0 μV(S/N 26dB,40kHz Devi.) 75ohms DIN Stereo: 18.0dBf,2.2 μV,75ohms 23μV(S/N 46dB,40kHz Devi.) 75ohms DIN
50dB Quieting Sensitivity:	Mono: 18.0dBf,2.2 μV,75ohms Stereo: 37.2dBf,20μV,75ohms
Capture Ratio:	1.5dB
Image Rejection Ratio:	85dB
IF Rejection Ratio:	90dB
Signal-to-Noise Ratio:	Mono: 72dB Stereo: 66dB
Selectivity:	50dB DIN( ±300kHz,40kHz dev.)
AM suppression Ratio:	50dB
Harmonic Distortion:	Mono: 0.15% Stereo: 0.30%
Frequency Response:	30-15,000Hz ±1.5dB
Stereo Separation:	45dB at 1kHz 30dB at 100-10,000Hz
Muting Level:	17.2dBf, 4.0μV

**AM:**

Tuning Range:	522-1611kHz( 9kHz steps)
Usable Sensitivity:	30μV
Image Rejection Ratio:	40dB
IF Rejection Ratio:	40dB
Signal-to-Noise Ratio:	40dB
Harmonic Distortion:	0.7%

**GENERAL**

Dimensions(W×H ×D):	435 ×130 ×351mm 17-1/8" ×5-1/8 " ×13-13/16"
Weight:	8.2kg., 18.1lbs.

**REMOTE CONTROL TRANSMITTER RC-119S**

Transmitter: Infrared  
 Signal range: Approx. 5meters(16ft.4")  
 Power supply: TWO "AA" batteries (1.5V×2)  
 Dimensions(W×H×D): 64×18×176mm  
 2-1/2 " ×3/4 " × 7"  
 Weight: 140grams 5.0oz.(including batteries)

Specifications and features are subject to change without notice.

**SERVICE PROCEDURES**

**1. Replacing the fuses**

For continued protection against fire hazard, replace only with same type and same rating fuse.

Circuit no.	Part no.	Description
F902	252075	2.5A-SE-EAK, Primary
F903	252075	2.5A-SE-EAK, AC outlet
F906	252070	1A-SE-EAK, Secondary

**2. Change of FM/AM band step.**

With the exception of the models below, a BAND STEP selector switch is not provided.

(FM)

MODEL	BAND STEP	D717, J753	R119
UD	200kHz→50kHz	Additional	15kΩ→24kΩ
UG/UQ	50kHz→200kHz	Eliminated	24kΩ→15kΩ

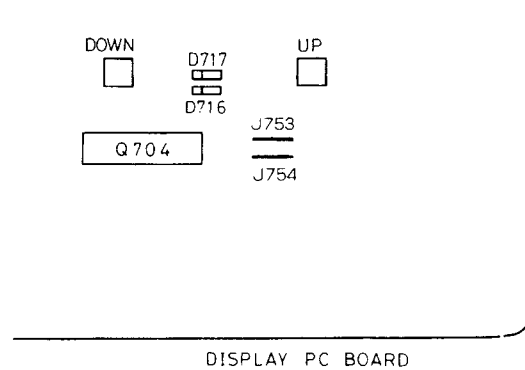
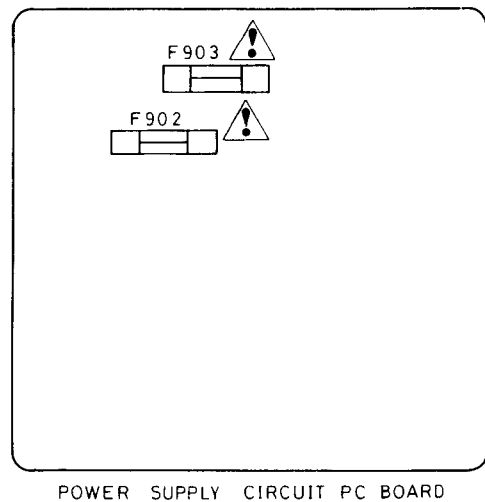
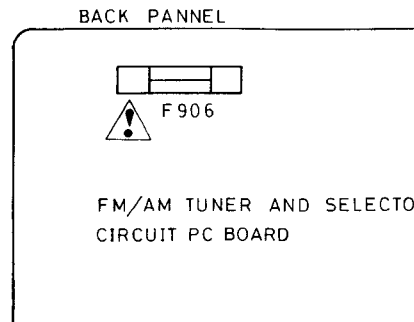
(AM)

BAND STEP	D716, J754
10kHz→ 9kHz	Additional
9kHz→10kHz	Eliminated

In D716/7 1SS133 (Part No. 223163) is used. In J753/4, a jumper lead must be inserted. R119, with the muting amplitude determined is on the back panel side of FM/AM tuner and selector circuit printed circuit board assembly test points TP-1 and TP-2.

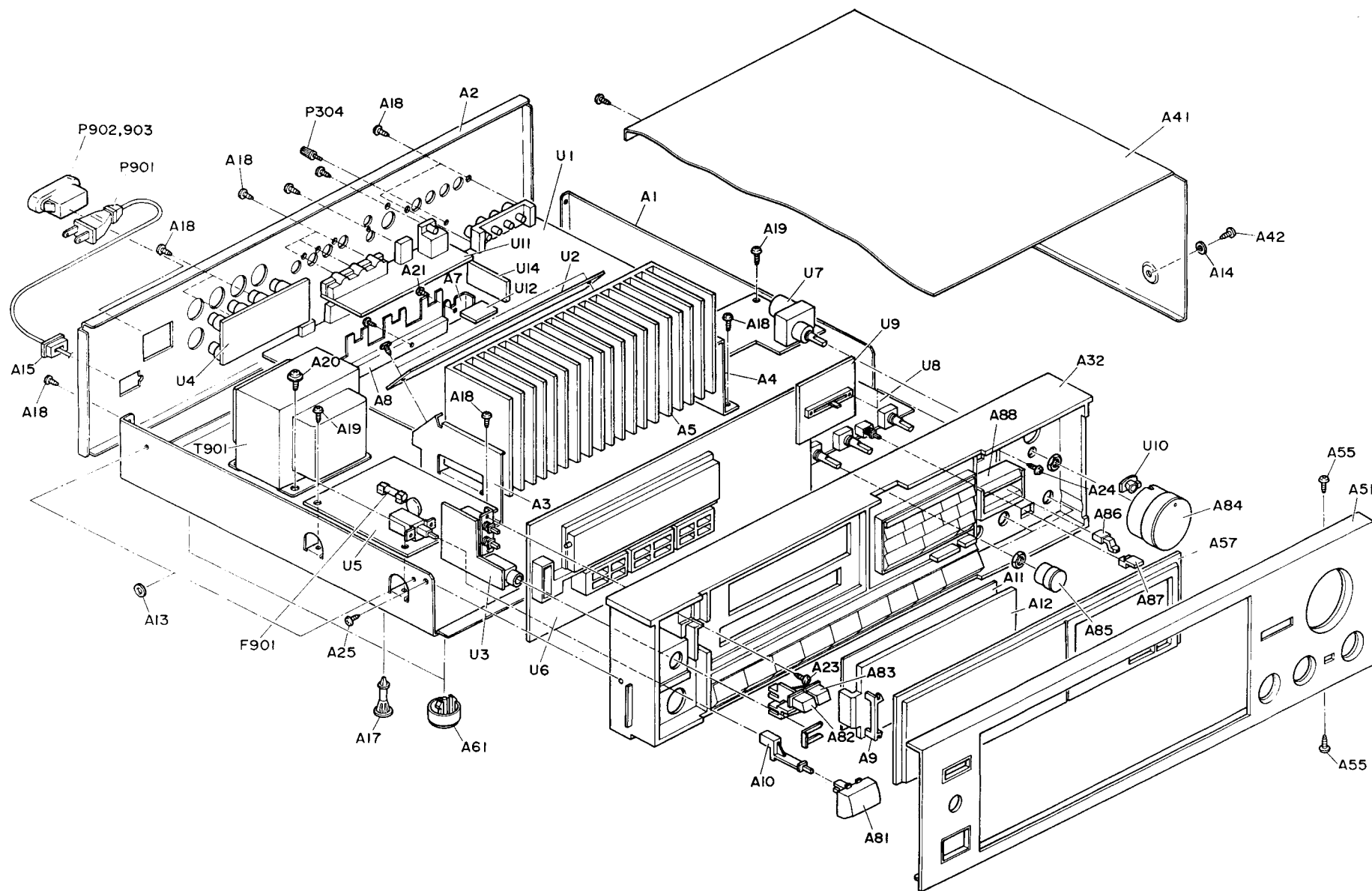
**3. Memory preservation**

This unit does not require memory preservation batteries. A built-in memory power back-up system preserves contents of the memory during power failures and even when the unit is unplugged. The unit must be plugged in and the power switch turned on and off once in order to charge the back-up system. Note that since this is not a permanent memory the power switch must be turned on and off a few times each month to keep the back-up system operative. The period of time during which memory contents are preserved after power has last been turned off varies depending on climate and placement of the unit. On the average, memory contents are protected over a period of 3 to 4 weeks (a minimum of 2 weeks) after the last time power has been turned off. This period is shorter when the unit is exposed to very high humidity or used in an area with an extremely humid climate.



# EXPLODED VIEW

TX-7530



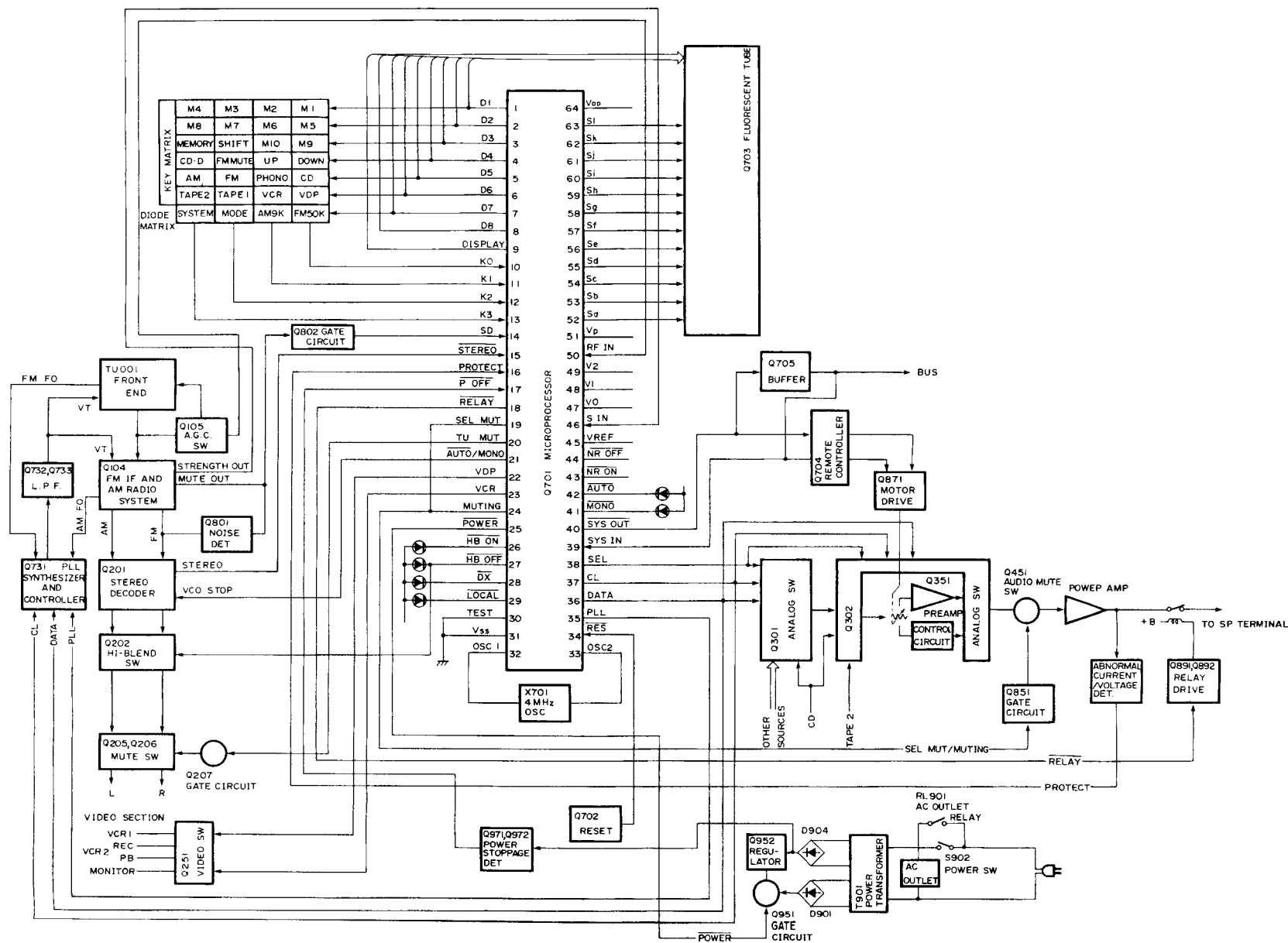
# PARTS LIST

REF. NO.	PART NO.	DESCRIPTION	REF. NO.	PART NO.	DESCRIPTION
A1	27100163	Chassis	A88	27190647	Knob SLIDE <B>
A2	27121114	Back panel		27190646	Knob SLIDE <S>
A3	27141261A	Bracket LH	F902	252075	2.5A-SE-EAK,Primary fuse
A4	27141262	Bracket RH	F903	252075	2.5A-SE-EAK,AC outlet fuse
A5	27160225	Radiator	F906	252070	1A-SE-EAK,Secondary fuse
A7	27141263	Bracket SH	P304	25060044	3×14mm,Terminal GND
A8	27141264	Bracket H	P901	253148 or	AS-CEE,Power supply cord
A9	27190644	Holder,dial plate		253150	
A10	27273098A	Joint,power	P902,P903	25050337	NSCT-2P164,AC outlet
A11	28133198A	Back plate	Q521,Q522	2501703,	2SC3855(O),
A12	28130249	Dial plate		2201704 or	2SC3855(Y) or
A13	27270147	Spacer		2201706	2SC3855(P),Power amplifier trans-
A14	870048	3×8×0.8t,Nylon washer			sistor
A15	27300750	Strainrelief	Q523,Q524	2201693,	2SA1491(O),
A17	27190524	Holder		2201694 or	2SA1491(Y) or
A18	834430088	3TTS+8B(BC),Tapping screw		2201696	2SA1491(P),Power amplifier trans-
A19	831130088	3TTW+8B,Tapping screw			sistor
A20	830440089	4TTC+8C(BC),Tapping screw	T901	2300307	NPT-993G,Power transformer
A21	834430108	3TTS+10B(BC),Tapping screw	U1	1A095576-2A	NAAR-3276-2A, FM/AM tuner
A22	834230108	3TTS+10B(Ni),Nickel screw			and selector circuit pc board ass'y
A23	82143006	3P+6FN(BC),Pan head screw	U2	1A095577-2	NAAF-3277-2,Power amplifier pc
A24	82142004	2P+4F(BC),Pan head screw			board ass'y
A25	833430080	3TTP+8P(BC),Tapping screw	U3	1A095578-2A	NASW-3278-2A, Speaker switch
A32	27110418A	Front bracket ass'y <B>			pc board ass'y
	27110417A	Front bracket ass'y <S>		1A090579-1A	NAETC-3279-1A, Speaker termi-
A41	28184394	Top cover <B>			nal pc board ass'y
	28184393	Top cover <S>	U5	1A090580-1	NAETC-3280-1,Const. voltage cir-
A42	834430088	3TTS+8B(BC),Tapping screw			cuit pc board ass'y
A43	801230	3STS+8BQ(BC),Tapping screw	U6	1A095581-2A	NADIS-3281-2A, Display pc board
A51	1A098121	Front panel ass'y <B>			ass'y
	1A097121	Front panel ass'y <S>	U7	1A090582-1A	NAAF-3282-1A, Volume pc board
A55	833430080	3TTP+8P(BC),Tapping screw			ass'y
A57	28191466A	Clear plate	U8	1A095583-2A	NAAF-3283-2A, Preamplifier pc
A61	27175142	Leg			board ass'y
A81	28323241	Knob POWER <B>	U9	1A095584-2	NAAF-3284-2,Switch pc board
	28323249	Knob POWER <S>			ass'y
A82	28323361	Knob SPEAKER A <B>	U10	1A090585-1	NADIS-3285-1,Volume indicator
	28323360	Knob SPEAKER A <S>			pc board ass'y
A83	28323363	Knob SPEAKER B <B>	U11	1A090586-1A	NAETC-3286-1A, Video terminal
	28323362	Knob SPEAKER B <S>			pc board ass'y
A84	28323365A	Knob VOLUME <B>	U12	1A090587-1A	NAPS-3287-1A,Power supply cir-
	28323364A	Knob VOLUME <S>			cuit pc board ass'y
A85	28323310	Knob TONE <B>	U14	1A086554-3	NAAF-3054-3,Equalizer amplifier
	28323309	Knob TONE <S>			pc board ass'y
A86	28322925	Knob SLIDE <B>			
	28322924	Knob SLIDE <S>			
A87	28323367	Knob PUSH <B>			
	28323366	Knob PUSH <S>			

NOTE: <B>: Only black model  
<S>: Only silver model

NOTE: THE COMPONENTS IDENTIFIED BY MARK Δ ARE CRITICAL FOR RISK OF FIRE AND ELECTRIC SHOCK. REPLACE ONLY WITH PART NUMBERS SPECIFIED.

# CONNECTION VIEW OF MICROPROCESSOR



# BLOCK DIAGRAM OF ICS

## LC6568H-3643 (MICROPROCESSOR)

### Terminal Descriptions

Pin No.	Terminal	Description
1	D1	These are the digit and key scan signal terminals. "H" when active.
2	D2	
3	D3	
4	D4	
5	D5	
6	D6	
7	D7	
8	D8	
9	DISPLAY	Display output terminal."H" when active.
10	K0	These are the input terminal for key return signal source and diode matrix."H" when active.
11	K1	
12	K2	
13	K3	
14	SD	Auto stop signal input terminal.Auto tuning stops when this terminal becomes the high level.
15	STEREO	This is the input terminal for detection of the stereo broadcast."L" when active.
16	PROTECT	This is the detection terminal for protection circuit.The speaker relay turns off when this terminal becomes the high level.
17	POWER OFF	This is the input terminal for detection of the stoppage of electric current."L" when the stoppage of electric current.
18	RELAY	This is the output terminal for control of the speaker relay."L" when active.
19	SEL MUTE	This is the muting output terminal when the selector key is operated."H" when active.
20	TU MUTE	This is the output terminal for muting control of tuner section."L" when active.
21	AUTO/MONO	This is the AUTO/MONO switching output terminal. "L" when AUTO.
22	VDP	These are the output terminal for control of video signal.
23	VCR	
24	MUTING	This is the output terminal for muting control. "H" when active.
25	POWER	This is the output terminal for power source.It is "H" for power on.
26	HB ON	This is the output terminal for indication of HI-BLEND ON. "L" when active.
27	HB OFF	This is the output terminal for indication of HI-BLEND OFF. "L" when active.
28	DX	This is the output terminal for indication of DX. "L" when active.
29	LOCAL	This is the output terminal for indication of LOCAL. "L" when active.
30	TEST	Test terminal.Connect to the ground.
31	Vss	Ground terminal.
32	OSC1	Connect to the 4.00MHz ceramic oscillator.
33	OSC2	
34	RES	This is the input terminal for reset. "L" when active
35	PLL	Connect to the terminal CE of PLL IC(LM7001).
36	DATA	This is the serial data output terminal.Connect to the terminal DATA of PLL IC and terminal DI of analog switches. (LC7821/LC7823)
37	CLOCK	This is the serial clock output terminal.Connect to the terminal CI of PLL IC and terminal CL of analog switches.
38	SEL	Connect to terminal SEL of analog switch(LC7821).
39	SYSTEM IN	This is the input terminal for system code. "H" when active.
40	SYSTEM OUT	This is the input terminal for system code. "L" when active.
41	MONO	This is the output terminal for indication of MONO. "L" when active.
42	AUTO	This is the output terminal for indication of AUTO. "L" when active.
43	NR ON	This is the output terminal for indication of NR ON. "L" when active.
44	NR OFF	This is the output terminal for indication of NR OFF. "L" when active.
45	VREF	This is the input terminal for comparator reference voltage.
46	S IN	This is the signal strength input terminal.
47	V0	This is the output terminal for comparator reference voltage.
48	V1	This is the output terminal for comparator reference voltage.
49	V2	This is the output terminal for comparator reference voltage.
50	RF IN	This is the input terminal for control of AGC. "H" when active.
51	VP	Pull-down resistor connection terminal of FIP controller/driver.

Pin No.	Terminal	Description
52	Sa	These are the output terminal for segment signal. "H" when active.
53	Sb	
54	Sc	
55	Sd	
56	Se	
57	Sf	
58	Sg	
59	Sh	
60	Si	
61	Sj	
62	Sk	
63	Sl	
64	VDD	This is the device power source terminal. At the time of operation, the supply is 5V. The internal data memory (RAM) is maintained by means of the super capacitor.

**FM50K (FM band setting)**

FM50K	Region	Frequency range	Channel space	Reference frequency	IF frequency
1	Europe	87.50 ~ 108.00MHz	50kHz	25kHz	10.7MHz
0	U.S.A.	87.9 ~ 107.9MHz	200kHz	25kHz	10.7MHz

**AM9**

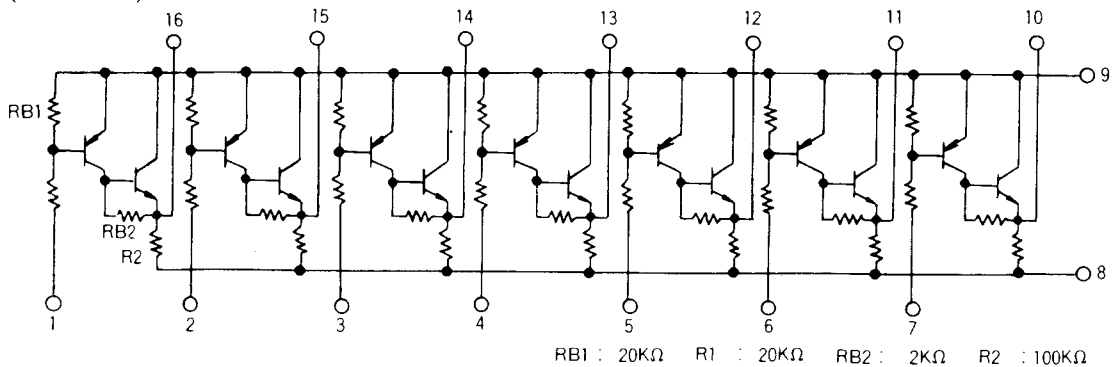
AM9K	Region	Frequency range	Channel space	Reference frequency	IF frequency
1	Europe	522 ~ 1611 kHz	9kHz	9kHz	450kHz
0	U.S.A.	530 ~ 1620 kHz	10kHz	10kHz	450kHz

**Connection of fluorescent tube and microprocessor**

ANODE CONNECTION

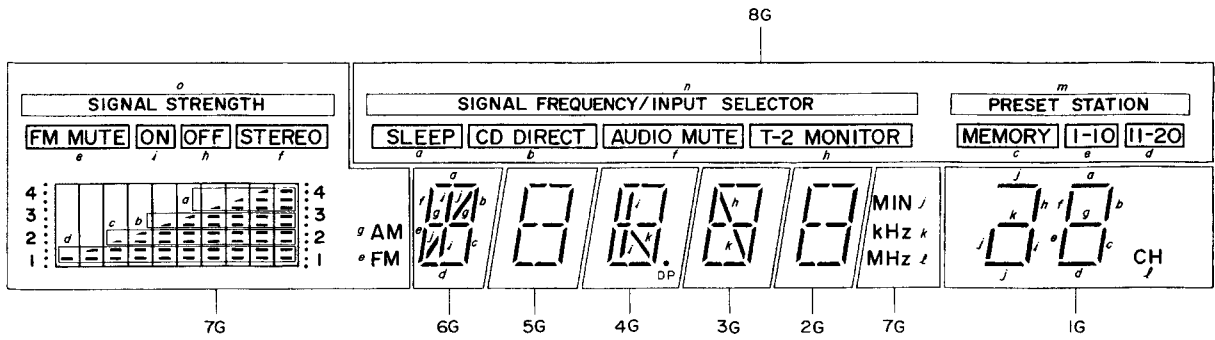
	8 G (D 8)	7 G (D 7)	6 G (D 6)	5 G (D 5)	4 G (D 4)	3 G (D 3)	2 G (D 2)	1 G (D 1)
a	SLEEP		a	a	a	a	a	a
b	CD DIRECT		b	b	b	b	b	b
c	MEMORY		c	c	c	c	c	c
d	11-20		d	d	d	d	d	d
e	1-10	FM FM MUTE	e	e	e	e	e	e
f	AUDIO MUTE	STEREO	f	f	f	f	f	f
g	-	AM	g	g	g	g	g	g
h	T-2 MONITOR	OFF	-	-	-	h	-	h
i	-	ON	i	-	i	-	-	i
j	-	MIN	j	-	-	-	-	j
k	-	kHz	-	-	k	k	-	k
l	-	MHZ	-	-	DP	-	-	CH
m	PRESET STATION	-	-	-	-	-	-	-
n	SIGNAL FREQUENCY INPUT SELECTOR	-	-	-	-	-	-	-
o	-	SIGNAL STRENGTH	-	-	-	-	-	-
p	-		-	-	-	-	-	-

**μPA81C (BUFFER)**

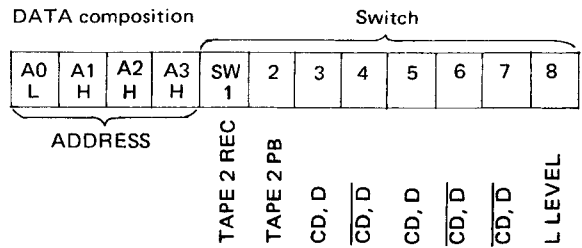
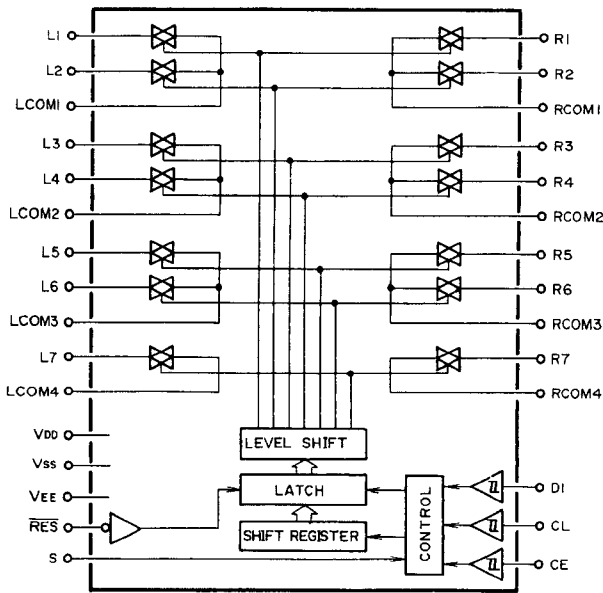




**7-BT-95GK (FLUORESCENT TUBE)**



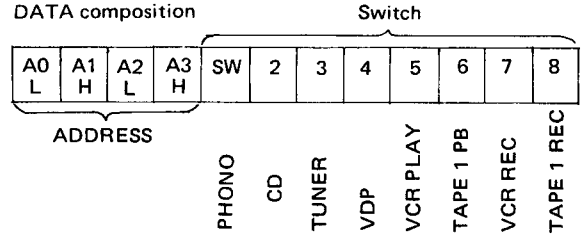
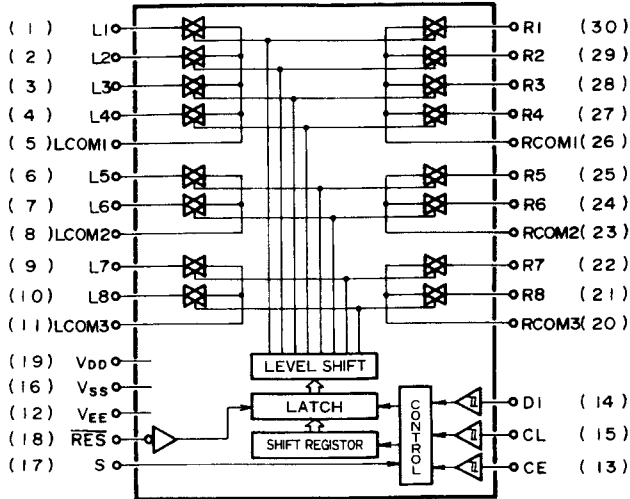
**LC7823 (ANALOG SWITCH)**



The source becomes ON when the bit of switch becomes high.

Pin No.	Terminal	Description	Pin No.	Terminal	Description
1 (L1)	TAPE 2 REC	Input/output terminals of audio signal of left channel. Control to the inside analog switch at the serial data.	16	VSS	Ground terminal.
2 (L2)	TAPE 2 PB		17	S	Selector terminal.
3	L COM 1		18	RES	Reset terminal. When power is turned ON, the condition of the analog switch is not determined, but when this terminal is "L", all analog switches are OFF.
4 (L3)	CD·D		19	VDD	Power supply terminal. (+15V)
5 (L4)	CD·D		20	R COM 4	Input/output terminals of audio signal of right channel. Control to the inside analog switch at the serial data.
6	L COM 2		21 (R7)	CD·D	
7 (L5)	CD·D		22	R COM 3	
8 (L6)	CD·D		23 (R6)	CD·D	
9	L COM 3		24 (R5)	CD·D	
10 (L7)	CD·D		25	R COM 2	
11	L COM 4		26 (R4)	CD·D	
12	VEE	27 (R3)	CD·D		
13	CE	28	R COM 1		
14	D1	29 (R2)	TAPE 2 PB		
15	CL	30 (R1)	TAPE 2 REC		

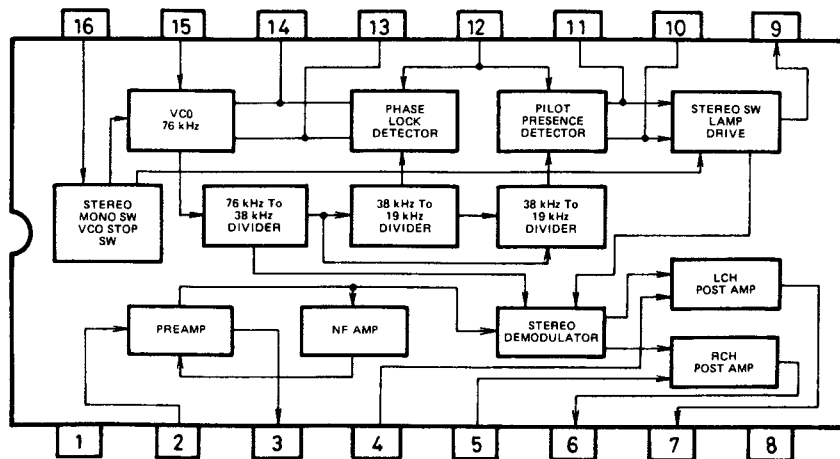
LC7821 (ANALOG SWITCH)



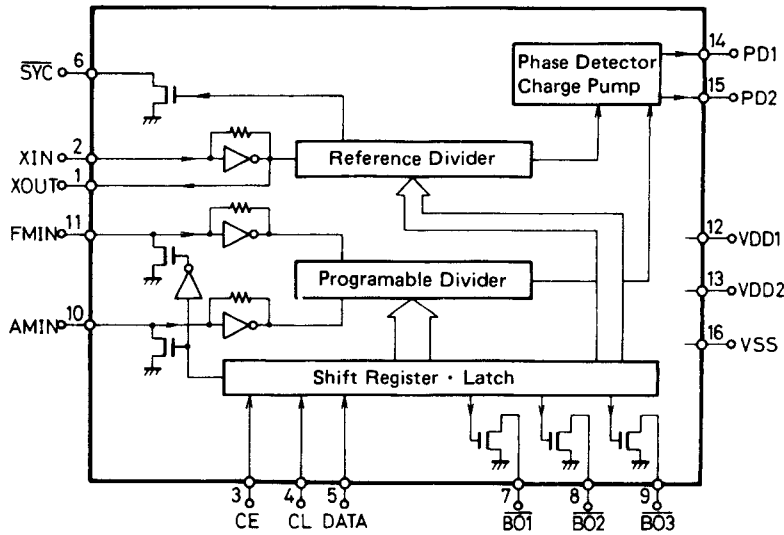
The source becomes ON when the bit of switch becomes high.

Pin No.	Terminal	Description	Pin No.	Terminal	Description
1	PHONO	Input/output terminals of audio signal of left channel. Control to the inside analog switch at the serial data.	16	Vss	Ground terminal.
2	CD		17	S	Selector terminal.
3	TUNER		18	RES	Reset terminal. When power is turned ON, the condition of the analog switch is not determined, but when this terminal is "L", all analog switches are OFF.
4	VDP		19	VDD	Power supply terminal. (+15V)
5	L COM 1		20	R COM 3	Input/output terminals of audio signal of right channel. Control to the inside analog switch at the serial data.
6	VCR PB		21	TAPE 1 REC	
7	TAPE 1 PB		22	VCR REC	
8	L COM 2		23	R COM 2	
9	VCR REC		24	TAPE 1 PB	
10	TAPE 1 REC		25	VCR P	
11	L COM 3		26	R COM 1	
12	Vss	27	VDP		
13	CE	28	TUNER		
14	D1	29	CD		
15	CL	30	PHONO		

μPC1161C3 (STEREO DECODER)

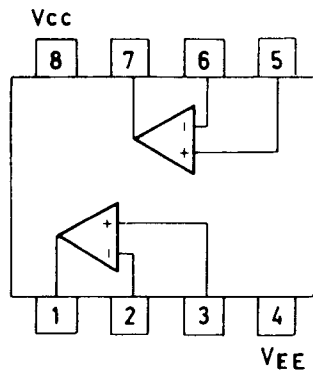


LM7001 (PLL SYNTHESIZER AND CONTROLLER)

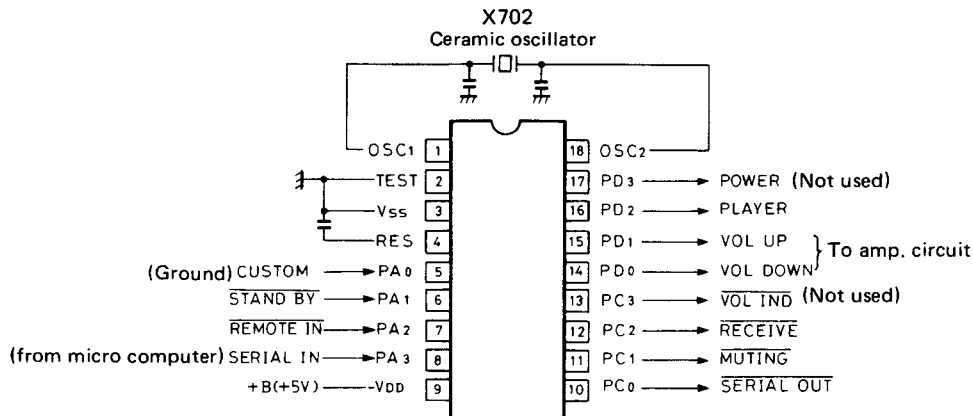
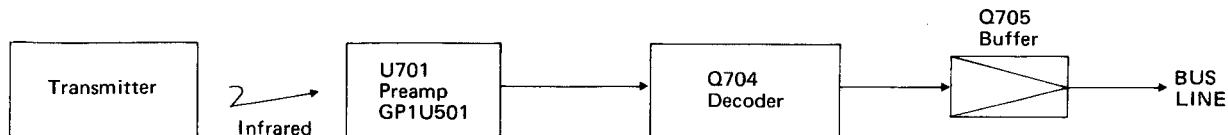


Pin No.	Terminal	Description
1	XOUT	Connect to the 7.2 MHz crystal oscillator.
2	XIN	
3	CE	Chip enable terminal. Connect to the PLL terminal of LC6568H-3643.
4	CL	Serial clock input terminal. Connect to the CLOCK terminal of LC6568H-3643.
5	DATA	Serial data input terminal. Connect to the DATA terminal of LC6568H-3643.
6	SYN	Not used.
7	BO1	Phono control signal output terminal. "L" when phono.
8	BO2	FM control signal output terminal. "L" when FM.
9	BO3	AM control signal output terminal. "L" when AM.
10	AMIN	AM local oscillator input terminal.
11	FMIN	FM local oscillator terminal.
12	VDD1	Power supply terminal for back-up.
13	VDD2	Power supply terminal.
14	PD1	Charge pump output of the phase detector which constitutes the PLL. High level is output when the divided local oscillator frequency is high than the reference frequency. In the opposite case, low level is output. Floating occurs when the frequencies matched. The output is applied to the variable capacitor diode in the local oscillator through the low pass filters.
15	PD2	
16	Vss	Ground terminal.

μPC4570C (OP AP)



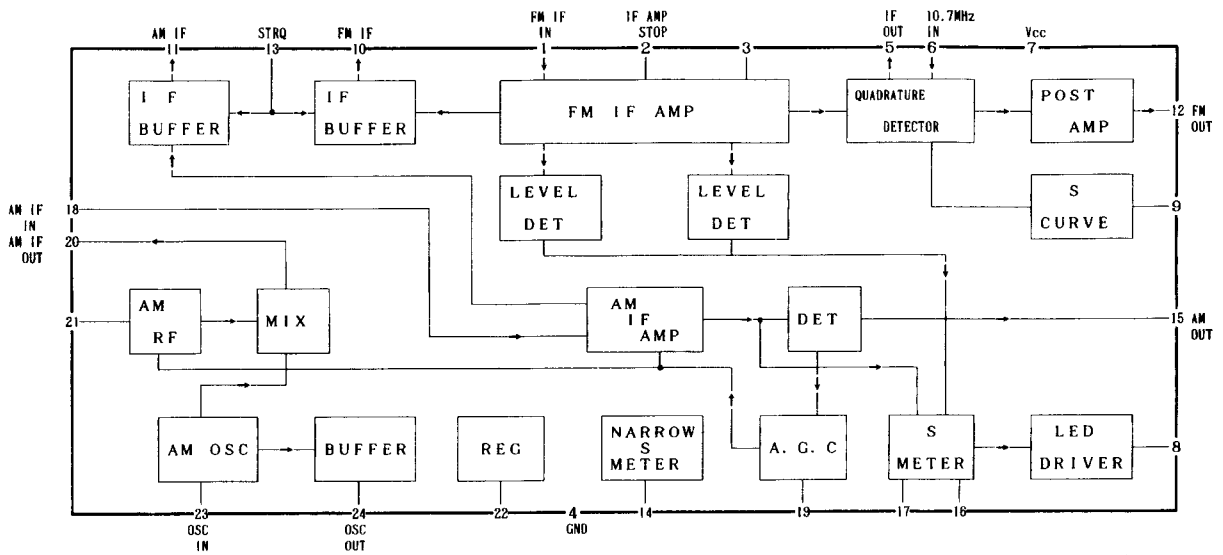
**LC6527C-3608 (REMOTE CONTROLLER)**



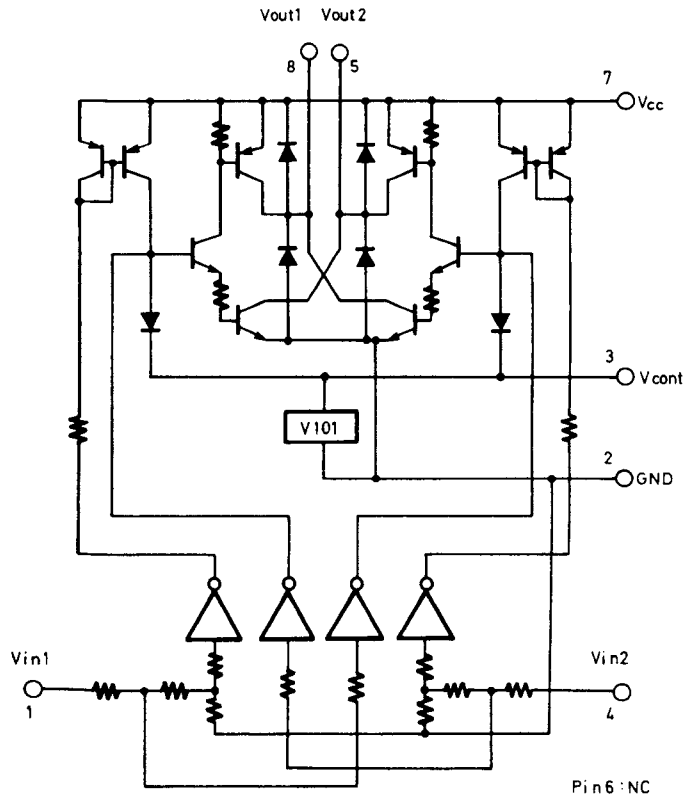
Connection diagram

Terminal No.	Symbol	Terminal	Description
1 18	OSC1 OSC2	OSC	Connect to the 1MHz ceramic oscillator.
2	TEST	TEST	Test terminal. Connect to the ground.
3	V <sub>SS</sub>	GND	Ground terminal.
4	RES	RES	Reset terminal.
5	PA0	CUSTOM	The custom code for decode is selected at this terminal. For U.S.A., the level is low.
6	PA1	STANDBY	Terminal for STANDBY detection. During low input, only the POWER code is decoded.
7	PA2	REMOTE IN	Signal input terminal for remote control preamp. Active low.
8	PA3	SERIAL IN	
9	V <sub>DD</sub>	+B	Power supply terminal.
10	PC0	SERIAL OUT	Output at this terminal are the custom code (16 bit) remote control code input to REMOTE IN, data code (8 bit), and the serial code (12 bit) that has been converted corresponding to the decoded data code (8 bit).
11	PC1	MUTING	At this terminal, the audio muting code that is input is inverted for each L/H. When power is ON, the level is high.
12	PC2	RECEIVE	This is the display output for remote control reception. Output is low when decoded code is being received.
13	PC3	VOL IND	During output of VOLUME UP/DOWN, a pulse (┌T┐└T┘; T = 0.3ms) is output.
14	PD0	VOL DOWN	When the volume DOWN code is input, a high pulse of 120ms is output.
15	PD1	VOL UP	When the volume UP code is input, a high pulse of 120ms is output.
16	PD2	PLAYER	When the player PLAY/REJECT is input, a high pulse of 200ms is output.
17	PD3	POWER	The power code input inverts the L/H. Level is high for power being turned ON.

LA1266 (FM IF AND AM RADIO SYSTEM)

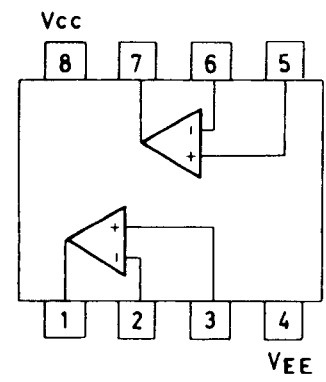


LB1630 (MOTOR DRIVE)

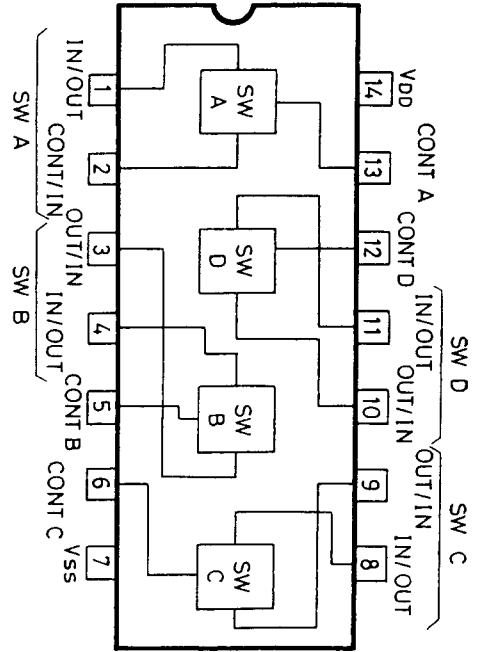


IN 1	IN 2	OUT 1	OUT 2	MOTOR
H	L	H	L	Normal
L	H	L	H	Reverse
H	H	OFF	OFF	Wait
L	L	OFF	OFF	Wait

NJM4558D/4560D/DX (OP AMP)



4066B (ANALOG SWITCH)



## ADJUSTMENT PROCEDURES

### Preparation

- **Input**

FM mono: 1kHz, 75kHz devi., 60dB/μV

FM stereo: 1kHz, L+R 67.5kHz devi.: Pilot signal 19kHz  
7.5kHz devi.

AM: 400Hz, 30% mod.,

- **Output**

Connect the non-inductive type resistor of 8 ohms to the speaker terminal A of left and right channels unless otherwise noted.

- **Standard knob position**

TAPE MONITOR . . . . .	SOURCE
VOLUME . . . . .	Maximum
BASS/TREBLE/BALANCE . . . . .	Center
VCR 2 MODE . . . . .	STEREO
SPEAKER . . . . .	A
SIMULATED STEREO . . . . .	OFF

### Amplifier section

1. Idling current adjustment

Connect the DC voltmeter to the terminals IID and VCT on the power amplifier pc board.

Adjust the semi-fixed resistors R533 and R534 so that the indication of voltmeter is  $7.5 \pm 1.5\text{mV}$ .

Notes: VOLUME . . . . . Maximum, Open load,  
Adjust after switching on for 5 minutes.



Power amplifier pc board

FM section

Item	Step	Connection of instrument	FM SG output	Stereo modulator output	Turning dial setting	Output indicator	Adjustment	Adjust for	Remarks
FM IF	1	Fig. 1	99.1MHz 1kHz, 75kHz devi. 65dBf (60dB)	-	99.1MHz	DC voltmeter	L101	0V ± 20mV	Mode switch: MONO Repeat the steps 1 and 3 until no further adjustment is necessary
	AC voltmeter					IF on the front end	Maximum		
	Distortion analyzer					L102	Minimum		
Stereo indicator level	1	Fig. 3	99.1MHz 17.2dBf (12dB) Ext. modulation	L + R : 1kHz 67.5kHz devi.	99.1MHz	Stereo indicator	R101	Light on	Mode switch: STEREO
	2		99.1MHz 16.2dBf (11dB) Ext. modulation	Pilot signal 19kHz 7.5kHz devi.				Light off	
VCO		Fig. 2	99.1MHz 1kHz, 75kHz devi. 65dBf (60dB)	-	99.1MHz	Frequency counter	R201	19kHz ± 10Hz	
Stereo Distortion		Fig. 3	99.1MHz 65dBf (60dB) Ext. modulation	L or Rch. 1kHz	99.1MHz	Distortion analyzer	IF on the front end	Minimum	Don't turn more than ± 180 :
Stereo Separation	1	Fig. 3	99.1MHz 65dBf (60dB) Ext. modulation	Lch. 1kHz	99.1MHz	Rch. AC voltmeter	R202	Minimum	Maximum and same separation
	2			Rch. 1kHz		Lch. AC voltmeter		Minimum	
Hi-blend level		Fig. 3	99.1MHz 35.2dBf (30dB) 1kHz, 75kHz devi.	-	99.1MHz	Hi-blend indicator	R102	Light off	

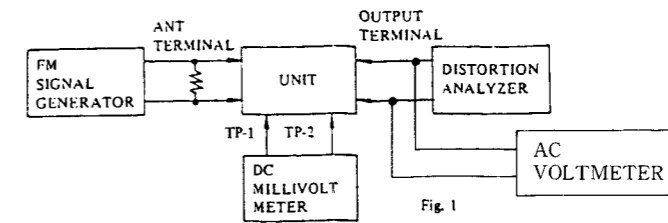
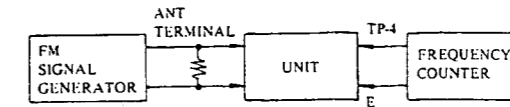


Fig. 1



Use the high impedance probe. (10:1)

Fig. 2

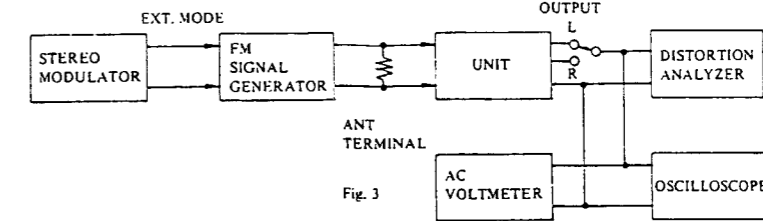
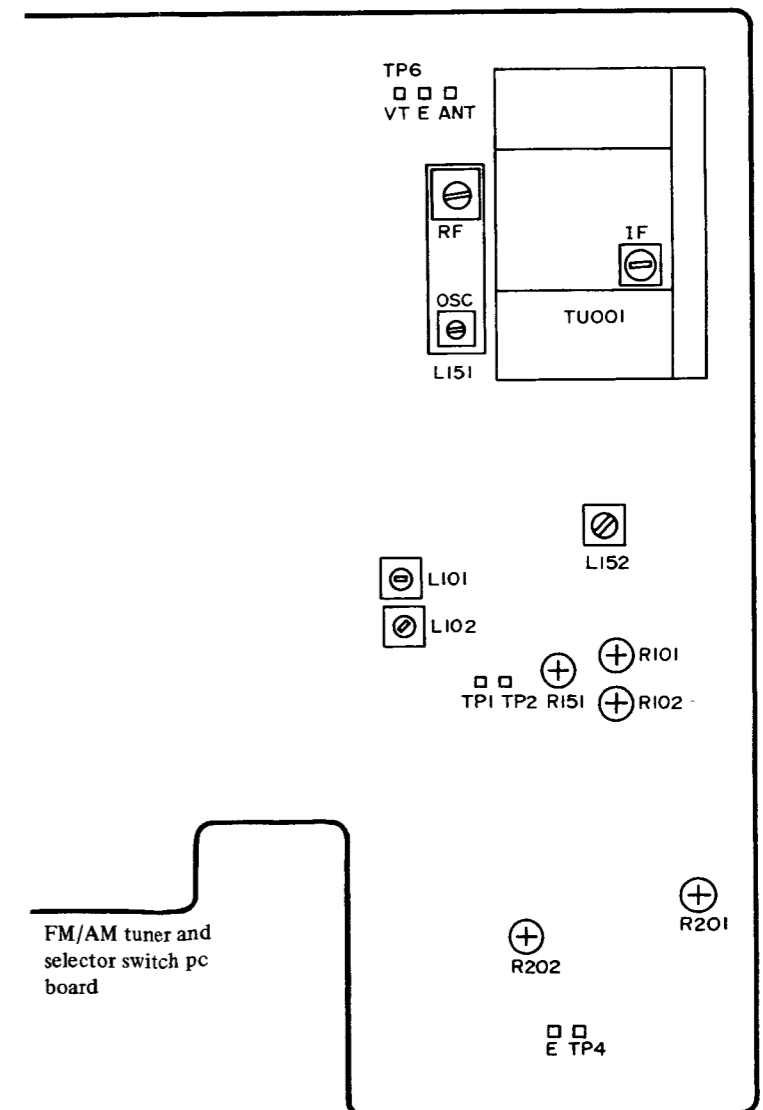
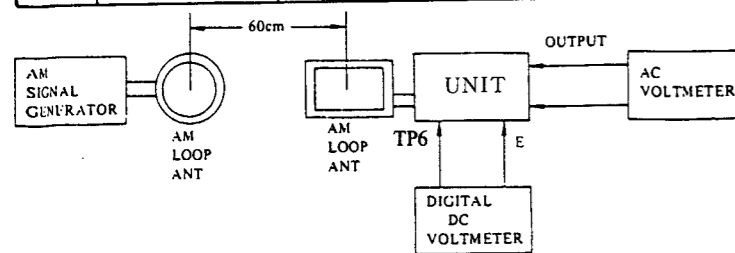


Fig. 3

AM section

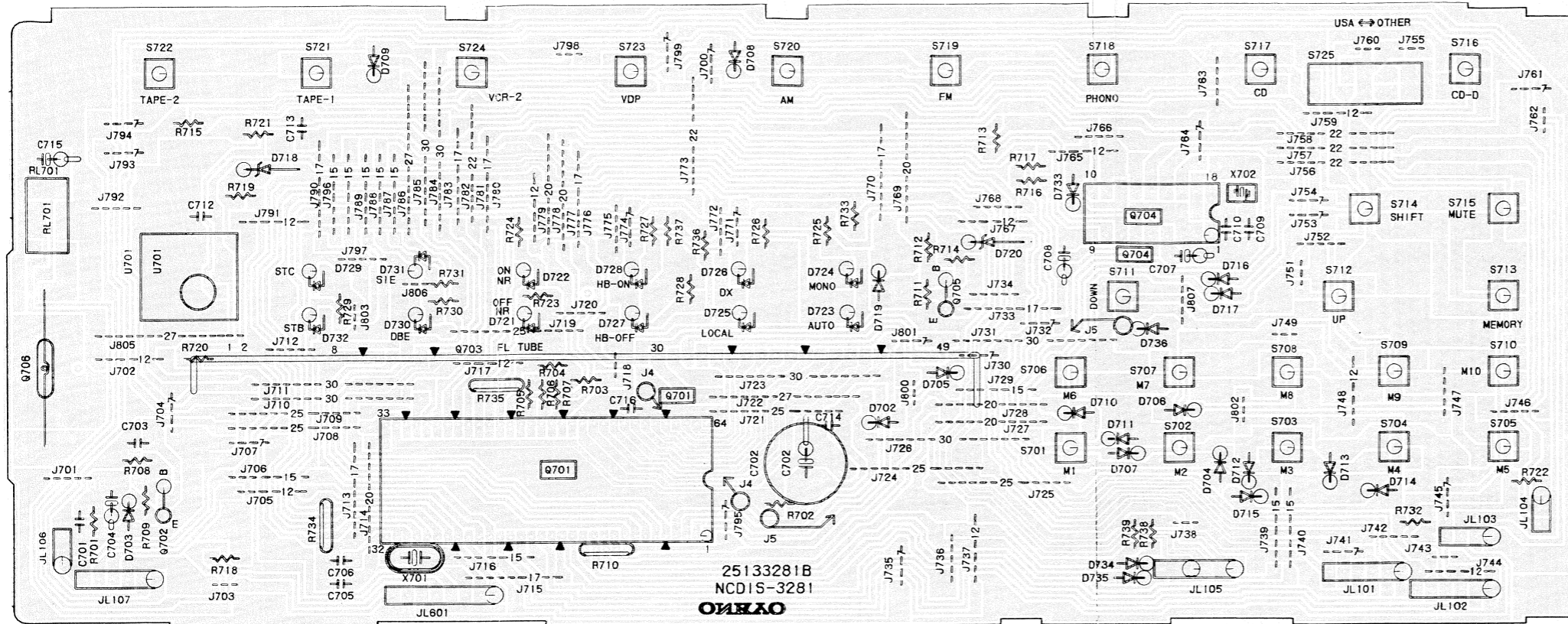
Step	AM SG output	Tuned frequency	Output indicator	Adjustment point	Adjust for
1		522kHz	Digital DC voltmeter	OSC on RF block	1.3V ± 0.1V
2	603kHz 400Hz 30% mod. 60dB/m	603kHz	AC voltmeter	RF on RF block	Maximum
3	999kHz 400Hz 30% mod. 60dB/m	999kHz	AC voltmeter	L152	Maximum
4	Same as above	999kHz	First signal indicator	R151	Light on

Reference specifications  
 FM Tuned voltage      87.5MHz 2.0 ± 0.5V  
                                  108.0MHz 7.7 ± 0.5V  
  
 Auto stop level      AM: Less than 66dB/m  
                                  FM: Less than 17dBμ  
  
 AM Tuned voltage      522kHz 1.3 ± 0.5V  
                                  1611kHz 8.0 ± 0.5V



FM/AM tuner and selector switch pc board

PRINTED CIRCUIT BOARD VIEW FROM BOTTOM SIDE



DISPLAY PC BOARD

PRINTED CIRCUIT BOARD-PARTS LIST

DISPLAY PC BOARD(NADIS-3281-1A)

CIRCUIT NO.	PART NO.	DESCRIPTION
<b>ICs</b>		
U701	24130001	GP1U501S
Q701	22240153	LC6568H-3643
Q704	22240150	LC6527C-3608
<b>Transistors</b>		
Q702	2211255 or 2210746	2SC1815(GR) or 2SC945A(P)
Q705	2211455 or 2210803	2SA1015(GR) or 2SA733(P)
<b>Fluorescent tube</b>		
Q703	212054	7-BT-95GK
<b>Lamp</b>		
Q706	210064A	6.3V,0.25A
<b>Diodes</b>		
D702-D715	223163	1SS133
D716,D717	223163	1SS133
D718	224650822, 224150822 or 224450822	05AZ8.2Y or HZ8.2EB2 MTZ8.2B
D719	223163	1SS133
D720	224150562 or 224650562	05AZ5.6Y or HZ5.6EB2
D733-D735	223163	1SS133
<b>L.E.Ds</b>		
D723,D725	225137CG, 225137DG or 224137DY	SEL2413ECG, SEL2413EDG or SEL2413EDY
D724,D726	225142	SEL2913K
D728	225142	SEL2913K
D731	225141	SEL2213C
<b>Osc. elements</b>		
X701	3010099	CSA4.00MG,Ceramic
X702	3010119	CSB-1000D,Ceramic
<b>Capacitors</b>		
C702	3020027 or 3000051	0.047F,5.5V or 0.047F,5.5V,Super
C704	354780109	1 μF,50V,Elect.
C707,C715	354782299	0.22μF,50V,Elect.
C708	354741009	10μF,16V,Elect.
<b>Resistors</b>		
R710	49163473404	47kohm × 4, 1/10W,Network
R734,R735	49163104404	100kohm × 4,1/10W,Network
<b>Switches</b>		
S701-S724	25035548	NPS-111-S510
<b>Relay</b>		
RL701	25065298	NRL-1P1A-DC12-40
<b>Holder</b>		
	27190643A	L.E.D

SPEAKER TERMINAL PC BOARD(NASW-3279-1A)

CIRCUIT NO.	PART NO.	DESCRIPTION
P501,P502	25060110	NTM-4PDMN44,Speaker terminals

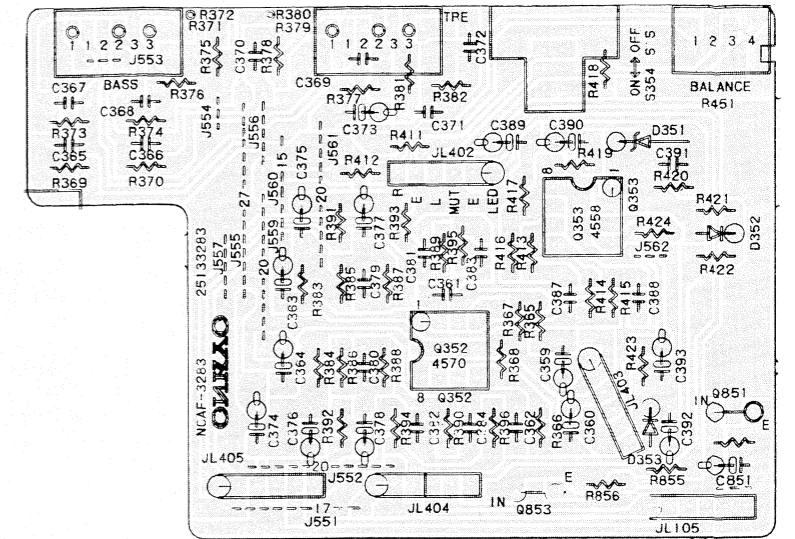
PREAMPLIFIER PC BOARD(NAAF-3283-2A)

CIRCUIT NO.	PART NO.	DESCRIPTION
Q352	222579 or 222570	NJM4560D or NJM4560DX
Q353	222465	NJM4558D

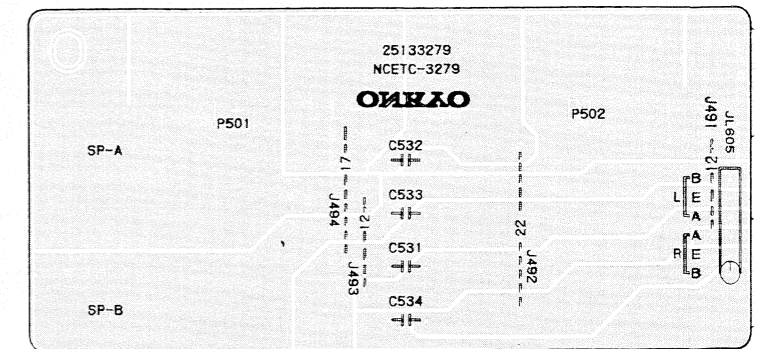
CIRCUIT NO.	PART NO.	DESCRIPTION
<b>Transistors</b>		
Q851	2212600	DTA124ES
<b>Capacitors</b>		
C359,C360	354780229	2.2 μF,50V,Elect.
C363,C364	354741009	10μF,16V,Elect.
C367,C368	352983396	0.33μF,50V,Non-polar elect.
C373,C374	354780229	2.2 μF,50V,Elect.
C375-C378	354781099	0.1 μF,50V,Elect.
C389	354780229	2.2 μF,50V,Elect.
C851	354780339	3.3 μF,50V,Elect.
<b>Resistors</b>		
R371,R372	5104216	N14RLC50KC22Z, Variable,Bass
R379,R380	5104216	N14RLC50KC22Z, Variable,Treble
R451	5104225	N11RGLC250KW22Z, Variable,Balance
<b>Switch</b>		
S354	25035590	NPS-122-L552

SPEAKER SWITCH PC BOARD(NASW-3278-2A)

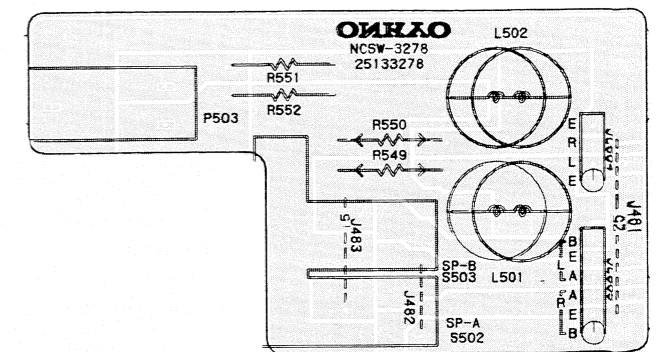
CIRCUIT NO.	PART NO.	DESCRIPTION
L501,L502	231001	S-1.3B,Coils
R549,R550	442520474	4.7ohm,1/2W,Metal oxide film resistors
R551,R552	441623914	390ohm,1W,Metal oxide film resistors
S502,S503	25035517	NPS-222-L479,Push switch
P503	25045139	HLJ-0540-01-010,Stereo headphone terminal



PREAMPLIFIER PC BOARD



SPEAKER TERMINAL PC BOARD



SPEAKER SWITCH PC BOARD



# SCHEMATIC DIAGRAM

## -TUNER SECTION-

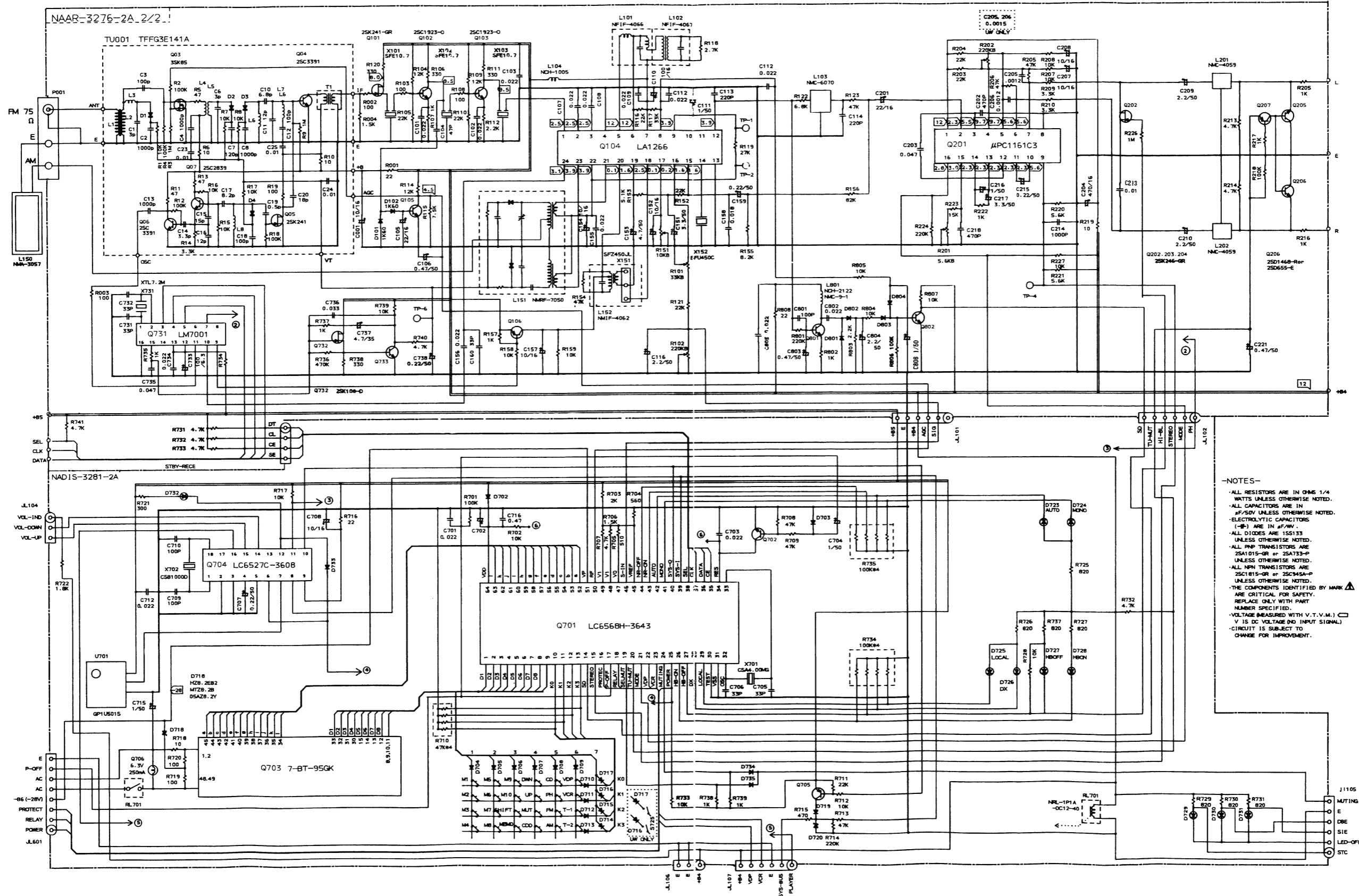
A

B

C

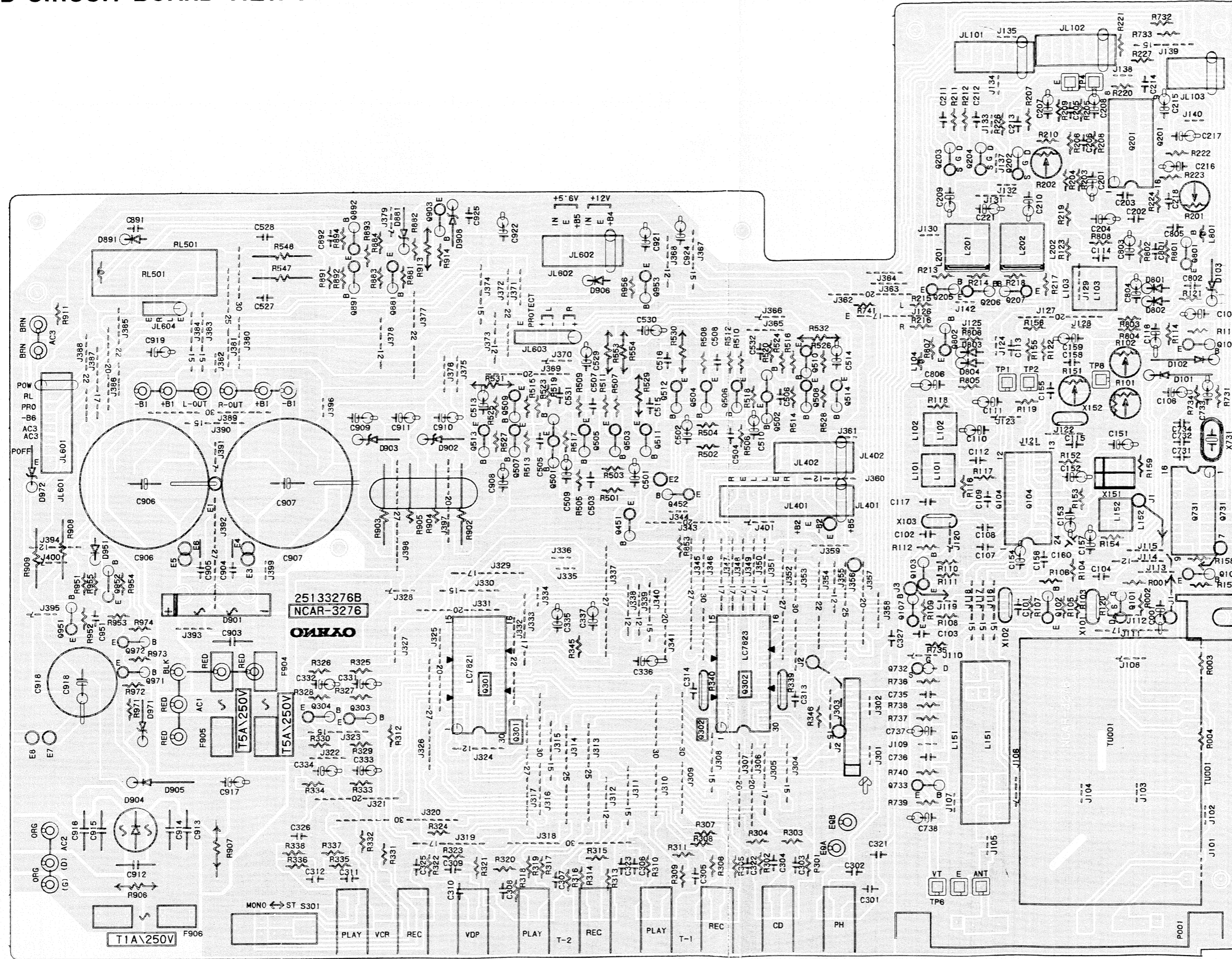
D

E



- NOTES-**
- ALL RESISTORS ARE IN OHMS 1/4 WATTS UNLESS OTHERWISE NOTED.
  - ALL CAPACITORS ARE IN #F/50V UNLESS OTHERWISE NOTED.
  - ELECTROLYTIC CAPACITORS (#E) ARE IN #F/AV.
  - ALL DIODES ARE 1SS133 UNLESS OTHERWISE NOTED.
  - ALL PNP TRANSISTORS ARE 2SA1015-GR OR 2SA733-P UNLESS OTHERWISE NOTED.
  - ALL NPN TRANSISTORS ARE 2SC1815-GR OR 2SC345A-P UNLESS OTHERWISE NOTED.
  - THE COMPONENTS IDENTIFIED BY MARK ARE CRITICAL FOR SAFETY. REPLACE ONLY WITH PART NUMBER SPECIFIED.
  - VOLTAGE MEASURED WITH V.T.V.M. V IS DC VOLTAGE (NO INPUT SIGNAL).
  - CIRCUIT IS SUBJECT TO CHANGE FOR IMPROVEMENT.

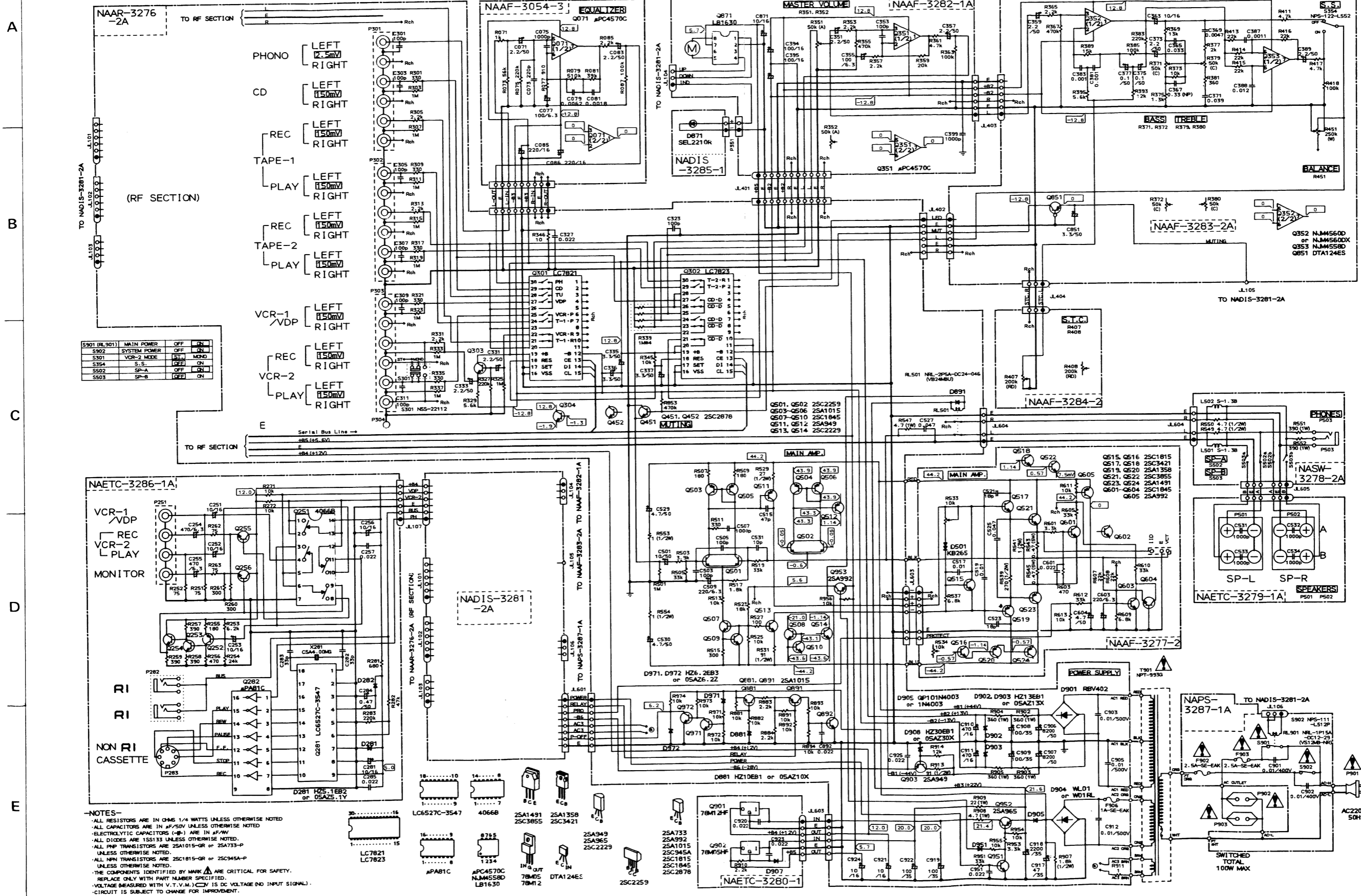
PRINTED CIRCUIT BOARD VIEW FROM BOTTOM SIDE



AM/FM TUNER AND SELECTOR CIRCUIT PC BOARD

# SCHEMATIC DIAGRAM

## -AMPLIFIER SECTION-



S901	UL301	MAIN POWER	OFF	ON
S902		SYSTEM POWER	OFF	ON
S301		VCR-2 MODE	OFF	MOND
S354		S.S.	OFF	ON
S502		SP-A	OFF	ON
S503		SP-B	OFF	ON

- NOTES-**
- ALL RESISTORS ARE IN OHMS 1/4 WATTS UNLESS OTHERWISE NOTED
  - ALL CAPACITORS ARE IN  $\mu$ F/50V UNLESS OTHERWISE NOTED
  - ELECTROLYTIC CAPACITORS (E) ARE IN  $\mu$ F/50V
  - ALL DIODES ARE 1N5113 UNLESS OTHERWISE NOTED.
  - ALL PNP TRANSISTORS ARE 2SA1015-QR OR 2SA733-P UNLESS OTHERWISE NOTED.
  - ALL NPN TRANSISTORS ARE 2SC1815-QR OR 2SC945A-P UNLESS OTHERWISE NOTED.
  - THE COMPONENTS IDENTIFIED BY MARK  $\Delta$  ARE CRITICAL FOR SAFETY. REPLACE ONLY WITH PART NUMBER SPECIFIED.
  - VOLTAGE MEASURED WITH V.T.V.M. (CEN IS DC VOLTAGE (NO INPUT SIGNAL)).
  - CIRCUIT IS SUBJECT TO CHANGE FOR IMPROVEMENT.

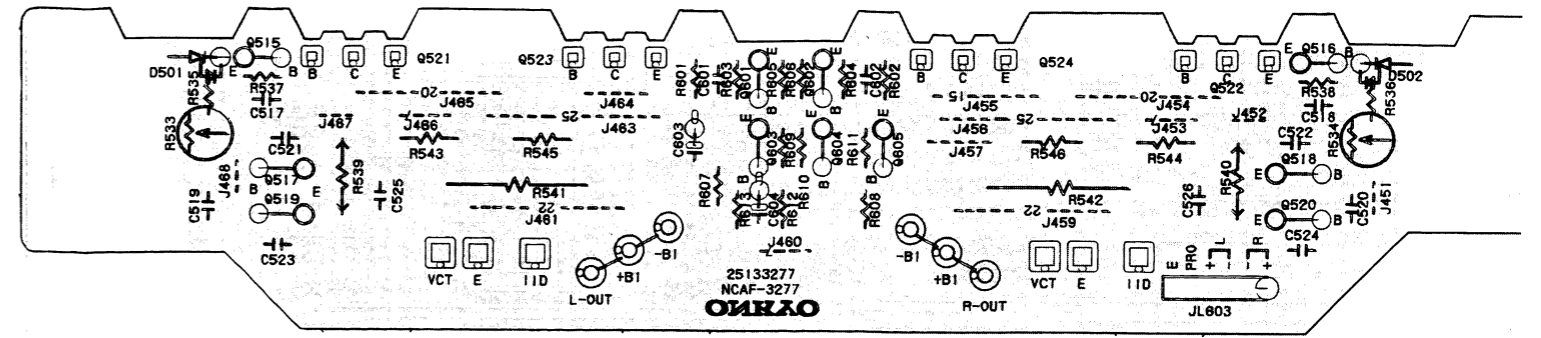
## PRINTED CIRCUIT BOARD-PARTS LIST

FM/AM TUNER AND SELECTOR CIRCUIT PC BOARD(NAAR-3276-2A)

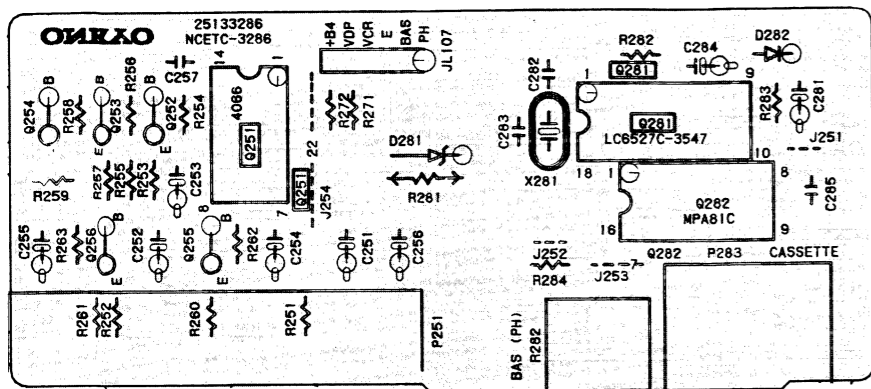
CIRCUIT NO.	PART NO.	DESCRIPTION
TU001	240081	TFFG3E
	<b>Front end</b>	
	<b>ICs</b>	
Q104	22240039	LA1266
Q201	222678	$\mu$ PC1161C3
Q301	22240079	LC7821
Q302	22240158	LC7823
Q731	22240090	LM7001
	<b>Transistors</b>	
Q101	2212195	2SK241(GR)
Q102	2211723	2SC1923(O)
Q103	2211723	2SC1923(O)
Q105	2211255 or 2210746	2SC1815(GR) or 2SC945A(P)
Q106,Q207	2211455	2SA1015(GR)
Q202	2211945	2SK246(GR)
Q205,Q206	2211705 or 2212794	2SD655(E) or 2SD1468(R)
Q303,Q304	2211255 or 2210746	2SC1815(GR) or 2SC945A(P)
Q451,Q452	2212285 or 2212286	2SC2878(A) or 2SC2878(B)
Q501,Q502	2211371 or 2211372	2SC2259(O-001) or 2SC2259(O-002)
Q503-Q506	2211455	2SA1015(GR)
Q507-Q510	2211732 or 2211733	2SC1845(F) or 2SC1845(E)
Q511,Q512	2211353 or 2211354	2SA949(O) or 2SA949(Y)
Q513,Q514	2211633 or 2211634	2SC2229(O) or 2SC2229(Y)
Q732	2212294	2SK108(D)
Q733,Q801	2211255 or	2SC1815(GR) or
Q802,Q892	2210746	2SC945A(P)
Q881,Q891	2211455	2SA1015(GR)
Q903	2211353 or 2211354	2SA949(O) or 2SA949(Y)
Q951,Q971	2211255 or	2SC1815(GR) or
Q972	2210746	2SC945A(P)
Q952	2211643 or 2211644	2SA965(O) or 2SA965(Y)
Q953	2211792 or 2211793	2SA992(F) or 2SA992(E)
	<b>Diodes</b>	
D101,D102	223132	1K60
D801-D804	223163	1SS133
D881	224651001 or 224151001	HZ10EB1 or 05AZ10X
D891	223163	1SS133
D901	22380022	RBV402
D902,D903	224151301 or 224651301	05ZA13X or HZ13EB1
D904	223862 or 223890	WL01 or W01RL
D905	223880 or 223896	GP101N4003 or 1N4003F
D908	224153001 or 224653001	05AZ30X or HZ30EB1
D951	223163	1SS133
D971,D972	224650623 or 224150623	HZ6.2EB3 or 05AZ6.2Z
	<b>Transformers</b>	
L101	233389	NFIF-4066
L102	233390	NFIF-4067
L152	232139	NMIF-4062

CIRCUIT NO.	PART NO.	DESCRIPTION
	<b>Coils</b>	
L103	233383	NMC-6070
L104	233105	NCH-1005
L201,L202	233355A	NMC-4059
L801	231081 or 233031	NCH-2129 or NMC-9-1
	<b>RF block</b>	
L151	232148	NMRF-7050
	<b>Ceramic filters</b>	
X101-X103	3010137	SFE10.7MMK
X151	3010123	SFZ450JL
X152	3010076	BFU450C
	<b>X'tal</b>	
X731	3010073	XTL-7.2M
	<b>Capacitors</b>	
C001	354741009	10 $\mu$ F,16V,Elect.
C105	354742209	22 $\mu$ F,16V,Elect.
C106	354784799	0.47 $\mu$ F,50V,Elect.
C110	354741019	100 $\mu$ F,16V,Elect.
C111	354780109	1 $\mu$ F,50V,Elect.
C116	354780229	2.2 $\mu$ F,50V,Elect.
C151	354780339	3.3 $\mu$ F,50V,Elect.
C152	354741009	10 $\mu$ F,16V,Elect.
C153	354780479	4.7 $\mu$ F,50V,Elect.
C154,C157	354741009	10 $\mu$ F,16V,Elect.
C159	354782299	0.22 $\mu$ F,50V,Elect.
C201	354742209	22 $\mu$ F,16V,Elect.
C204	354744719	470 $\mu$ F,16V,Elect.
C207,C208	354741009	10 $\mu$ F,16V,Elect.
C209,C210	354780229	2.2 $\mu$ F,50V,Elect.
C215	354782299	0.22 $\mu$ F,50V,Elect.
C216	354780109	1 $\mu$ F,50V,Elect.
C217	354780339	3.3 $\mu$ F,50V,Elect.
C218	370134714	470pF $\pm$ 5%,100V,APS
C221	354784799	0.47 $\mu$ F,50V,Elect.
C331-C334	354780229	2.2 $\mu$ F,50V,Elect.
C335-C337	354780339	3.3 $\mu$ F,50V,Elect.
C501,C502	354781009	10 $\mu$ F,50V,Elect.
C509,C510	354722219	220 $\mu$ F, 6.3V,Elect.
C529,C530	354780479	4.7 $\mu$ F,50V,Elect.
C733	354721019	100 $\mu$ F, 6.3V,Elect.
C737	354780479	4.7 $\mu$ F,50V,Elect.
C738	354782299	0.22 $\mu$ F,50V,Elect.
C803	354784799	0.47 $\mu$ F,50V,Elect.
C804	354780229	2.2 $\mu$ F,50V,Elect.
C806	354780109	1 $\mu$ F,50V,Elect.
C903,C905	335251039A	0.01 $\mu$ F,500V,Ceramic
C906,C907	3504225	8200 $\mu$ F,50V,Elect.
C908,C909	354761019	100 $\mu$ F,35V,Elect.
C910,C911	354744719	470 $\mu$ F,16V,Elect.
C912	335251039A	0.01 $\mu$ F,500V,Ceramic
C917	354764709	47 $\mu$ F,35V,Elect.
C918	354762229	2200 $\mu$ F,35V,Elect.
C919	354761019	100 $\mu$ F,35V,Elect.
C921,C924	354741009	10 $\mu$ F,16V,Elect.
C922	354761019	100 $\mu$ F,35V,Elect.
	<b>Resistors</b>	
R101	5210067	N06HR33KBD,Semi-fixed
R102	5210072	N06HR220KBD,Semi-fixed
R151	5210064	N06HR10KBD,Semi-fixed
R201	5210062	N06HR4.7KBD,Semi-fixed
R202	5210072	N06HR220KBD,Semi-fixed
R339,R340	49163105404	1Mohm $\times$ 4,1/10W,Network
R529,R530	442522704	27ohm,1/2W,Metal oxide film
R531,R532	442529104	91ohm,1/2W,Metal oxide film

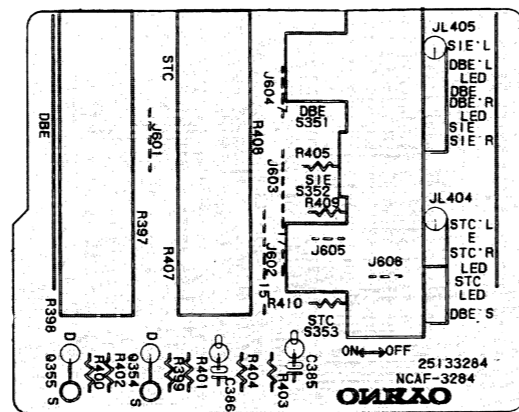
## PRINTED CIRCUIT BOARD VIEW FROM BOTTOM SIDE



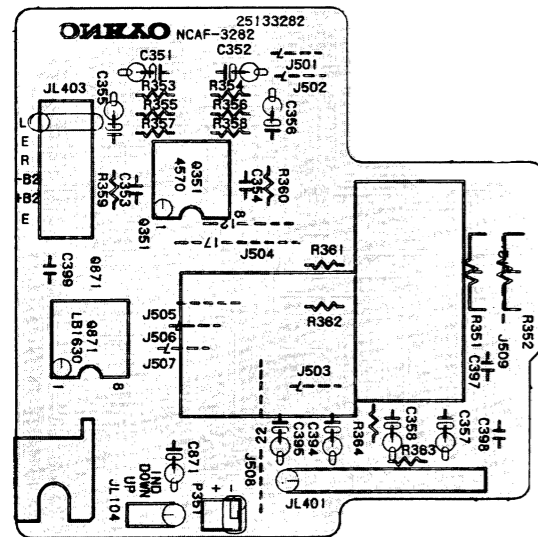
PRINTED CIRCUIT BOARD VIEW FROM BOTTOM SIDE



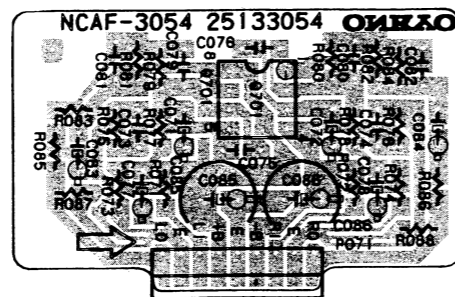
VIDEO TERMINAL PC BOARD



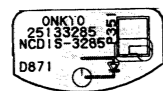
SWITCH PC BOARD



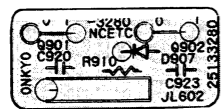
VOLUME PC BOARD



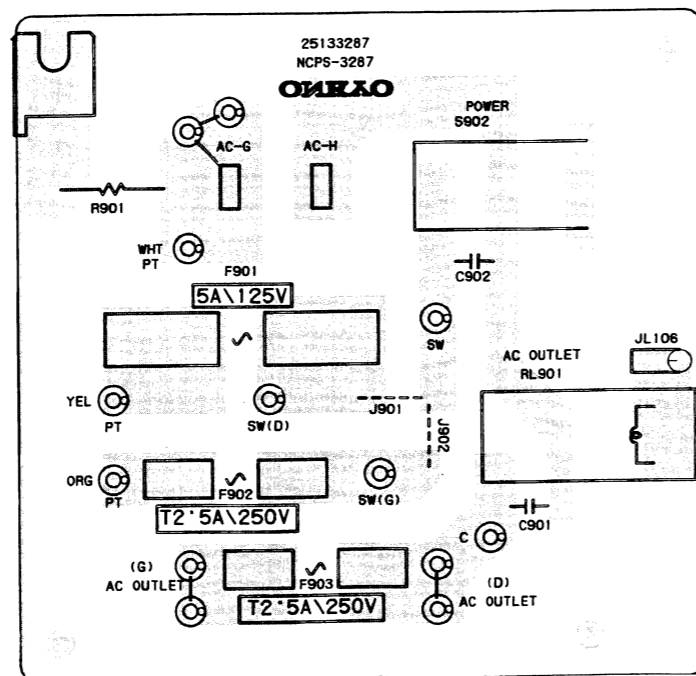
EQUALIZER AMPLIFIER PC BOARD



VOLUME INDICATOR PC BOARD



CONST. VOLTAGE CIRCUIT PC BOARD



POWER SUPPLY CIRCUIT PC BOARD

PRINTED CIRCUIT BOARD-PARTS LIST

VIDEO TERMINAL PC BOARD(NAETC-3286-1A)

CIRCUIT NO.	PART NO.	DESCRIPTION
<b>ICs</b>		
Q251	222840661	4066B
Q281	22240145	LC6527C-3547
Q282	222807	μPA81C
<b>Transistors</b>		
Q252	2211455 or 2210803	2SA1015(GR) or 2SA733(P)
Q253-Q256	2211255 or 2210746	2SC1815(GR) or 2SC945A(P)
<b>Diode</b>		
D281	224650512	HZ5.1EB2 or 05AZ5.1Y
D282	223163	1SS133
<b>Osc. element</b>		
X281	3010099	CSA4.00MG,Ceramic
<b>Capacitors</b>		
C251-C253	354741009	10μF,16V,Elect.
C254,C255	354724719	470 μF,6.3V,Elect.
C256,C281	354741009	10μF,16V,Elect.
C284	354784799	0.47μF,50V,Elect.
<b>Terminals</b>		
P251	25045216	NPJ-4PDBL94
P282	25045172	HSJ1003-01-020
<b>Socket</b>		
P283	25050294	NSCT-8P121

VOLUME PC BOARD(NAAF-3282-1A)

CIRCUIT NO.	PART NO.	DESCRIPTION
Q351	22240050	μPC4570C,IC
Q871	222963	LB1630,IC
C351,C352	354780229	2.2 μF,50V,Elect. capacitors
C355,C356	354721019	100 μF,6.3V, Elect. capacitors
C357,C358	354780229	2.2 μF,50V,Elect. capacitors
C394,C395	354741019	100 μF,16V,Elect. capacitors
C871	354741009	10μF,16V,Elect. capacitor
R351,R352	5104234	N16RGM50KA30F,Variable resistor,Volume
P351	2000635A	NSAS-4P591,Socket
	25050270	NSCT-6P98,Socket

VOLUME INDICATOR PC BOARD(NADIS-3285-1)

CIRCUIT NO.	PART NO.	DESCRIPTION
D871	225241 or 225242	SEL2210R-C or SEL2210R-D,LED
	27190545	Holder,LED

CONST. VOLTAGE CIRCUIT PC BOARD(NAETC-3280-1)

CIRCUIT NO.	PART NO.	DESCRIPTION
Q901	222780125	NEC 78M12HF,IC
Q902	222780055	NEC 78M05HF,IC
D907	223163	1SS133,Diode

SWITCH PC BOARD(NAAF-3284-2)

CIRCUIT NO.	PART NO.	DESCRIPTION
R407,R408	6182005	N25LGL200KRD10Z,Variable resistor

EQUALIZER AMPLIFIER PC BOARD(NAAF-3054-3)

CIRCUIT NO.	PART NO.	DESCRIPTION
Q071	22240191 or 222570	NJM4565DD or NJM4560DX
<b>Elect. capacitors</b>		
C071,C072	354780229	2.2 μF,50V
C077,C078	354721019	100 μF,6.3V
C083,C084	354780229	2.2 μF,50V
C085,C086	354742219	220 μF,16V
<b>Plug</b>		
P071	25055334	NPLG-9P317

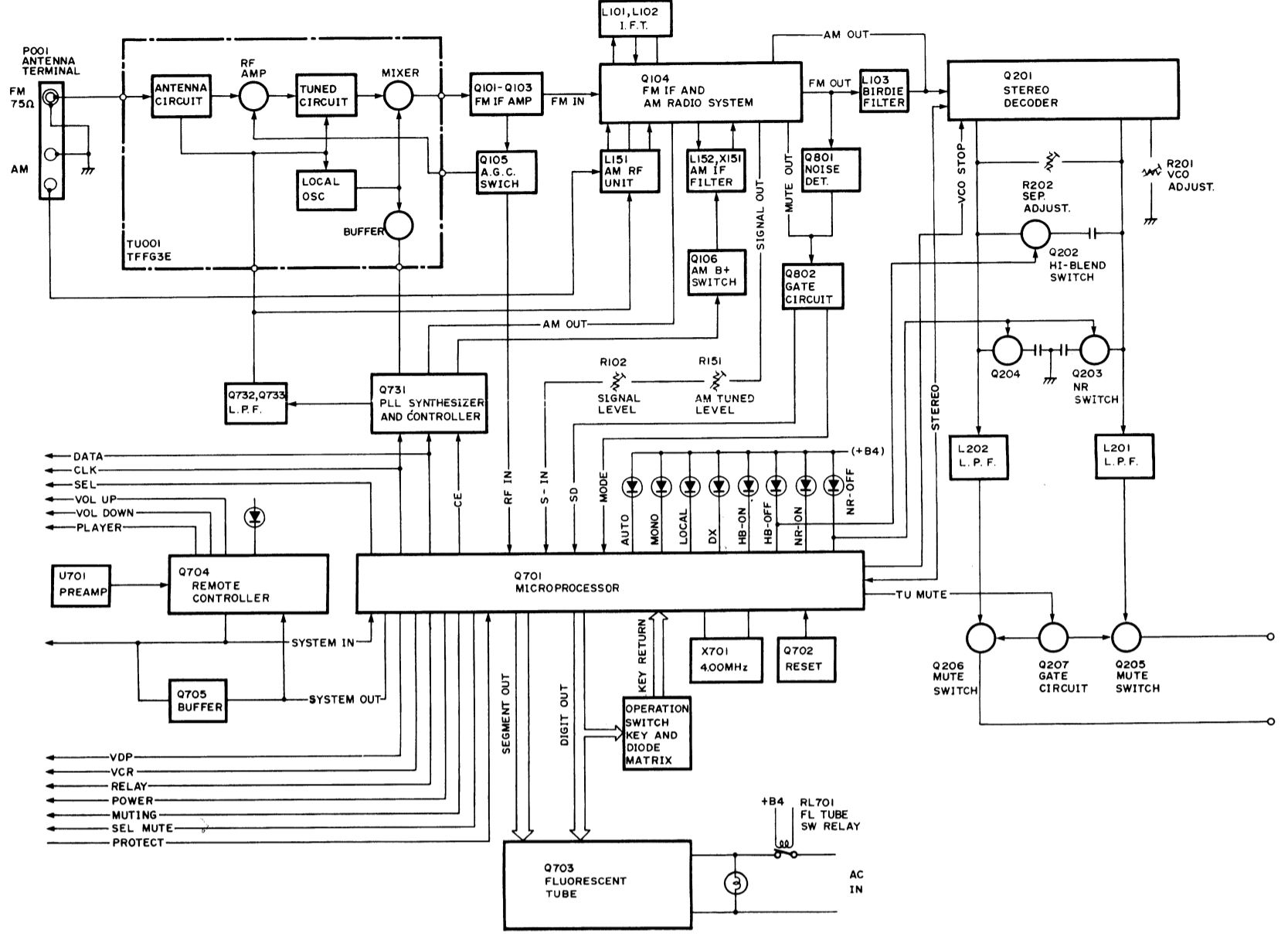
POWER SUPPLY CIRCUIT PC BOARD(NAPS-3287-1A)

CIRCUIT NO.	PART NO.	DESCRIPTION
C901,C902	3500065A	△ DE7150FZ103PAC400V/125V, Capacitor IS
S902	25035550	△ NPS-111-L512P,Power
RL901	25065248	△ NRL-1P15A-DC12-29,Relay
F902a	25050065	△ YSH-403T,Fuseholders
F902	252075	△ 2.5A-SE-EAK,Primary fuse
F903a	25050065	△ YSH-403T,Fuseholders
F903	252075	△ 2.5A-SE-EAK,Fuse for AC outlet

NOTE: THE COMPONENTS IDENTIFIED BY MARK △ ARE CRITICAL FOR RISK OF FIRE AND ELECTRIC SHOCK. REPLACE ONLY WITH PART NUMBER SPECIFIED.

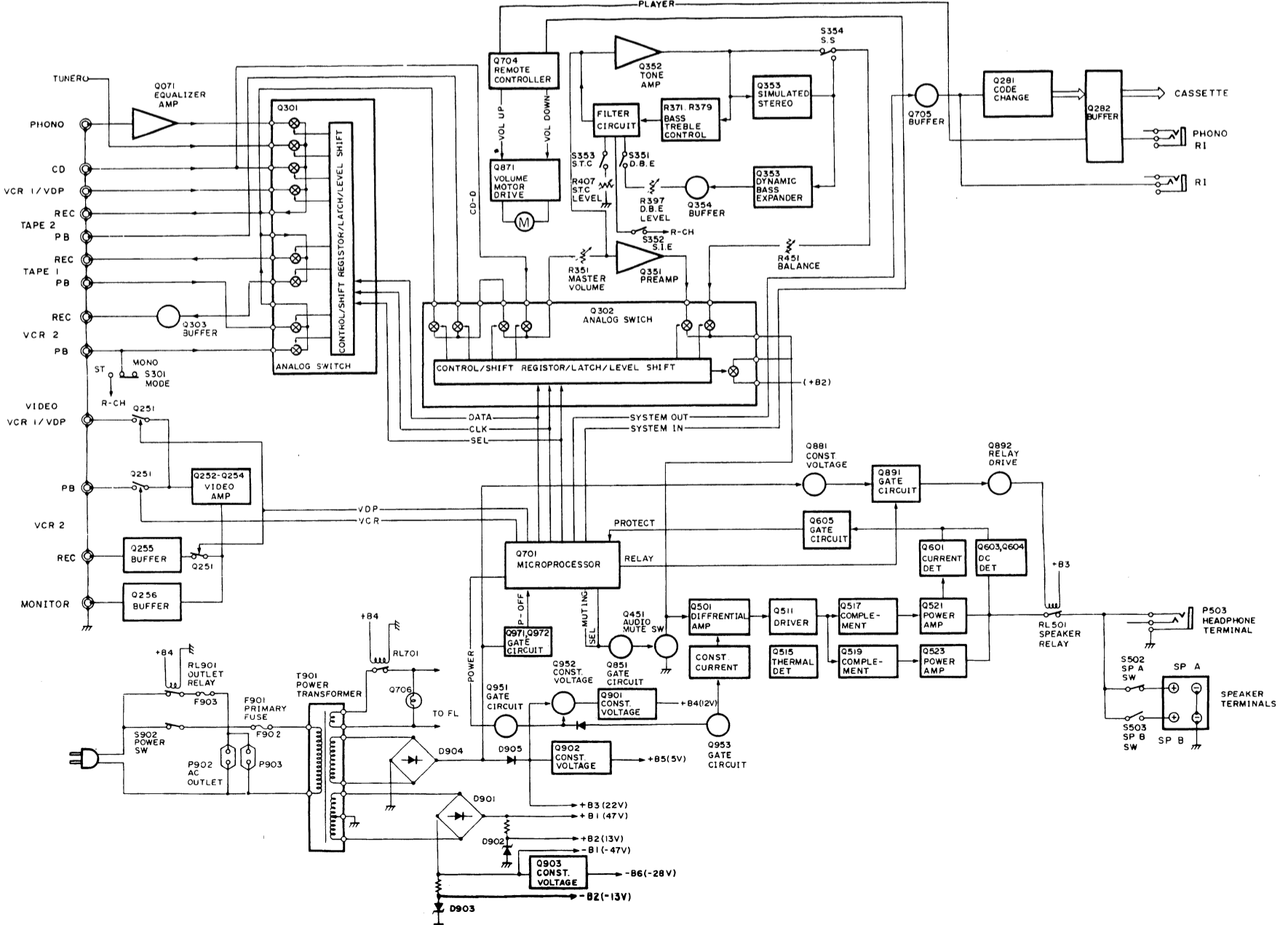
# BLOCK DIAGRAM

## TUNER SECTION



TX-7530 TX-7530

## AMPLIFIER SECTION



## DISASSEMBLING PROCEDURES

### 1. Top cover

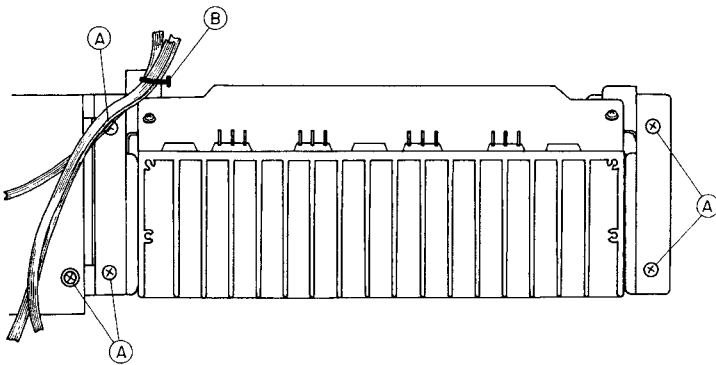
Remove a screw (3TTS+8BQ(BC)) holding the top cover and the back panel.  
Remove the four screws (3TTS+8B(BC)) holding the back panel and the chassis.

### 2. Front panel

Remove the top cover.  
Remove the six screws (3TTP+8P(BC)) holding the front panel and the front basket.

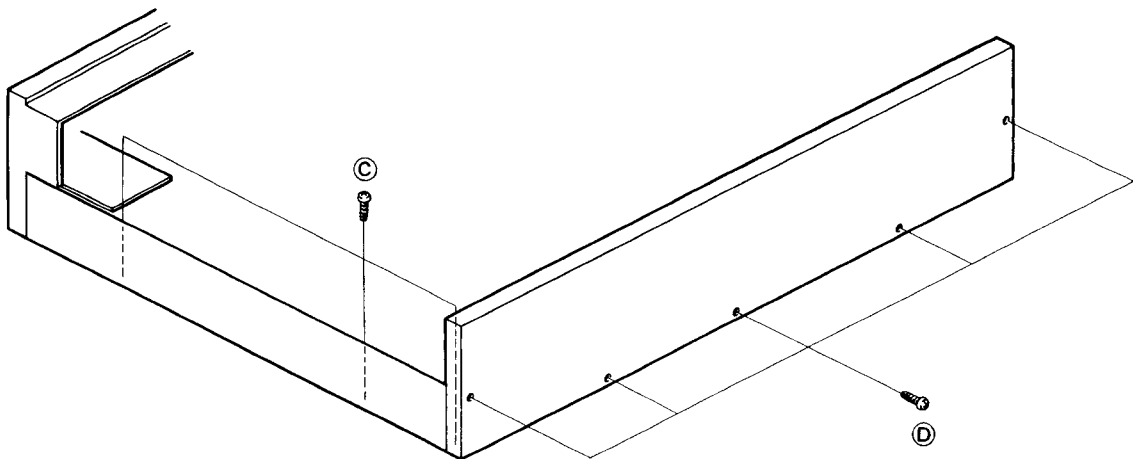
### 3. Power amplifier pc board

Remove the top cover.  
Remove the five screws A.  
Cut the binder B.

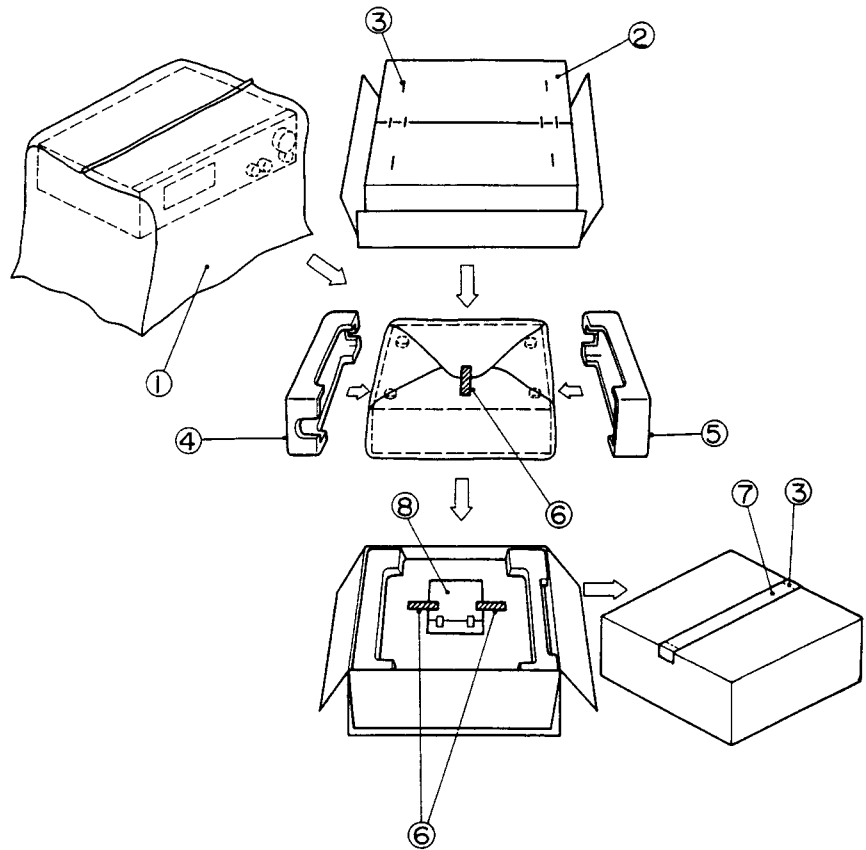


### 4. FM/AM tuner and selector switch pc board

Remove the top cover.  
Remove the three screws C holding the pc board and chassis.  
Remove the five screws D holding the back panel and chassis.  
Remove the pc board from the two holders.



## PACKING VIEW



REF. NO.	PART NO.	DESCRIPTION
1	29100034	850×650mm,Poly-vinyl bag
	29095012-1	800×500mm,Protection sheet (Black model)
2	29051694	Master carton box (Black model)
	29051691	Master carton box (Silver model)
3	282301	Sealing hook
4	29091263	Pad R
5	29091262	Pad L
6	29110032	Adhesive tape
7	260012	Damplon tape
8	Accessory bag ass'y	
	29341253	Instruction manual
	292092	FM antenna
	232140	NMA-3057,AM loop antenna
	2010169	Connection cord for RI
	3010054	UM-3,Two batteries
	24140025	RC-119S,Remote control transmitter
	29100097	250×350mm,Poly-vinyl bag
	29365020	Warranty card
	29100094A	Poly-vinyl bag for warranty card

**ONKYO CORPORATION**

International Division: No. 24 Mori Bldg., 23-5, 3-chome, Nishi-Shinbashi, Minato-ku, Tokyo, Japan  
 Telex: 2423551 ONKYO J. Phone: 03-432-6981

**ONKYO DEUTSCHLAND GMBH, ELECTRONICS**

8034 München-Germering, Industriestrasse 18 West Germany. Fax: 49-89-849-3226 Telefon: (089)-84-3071