

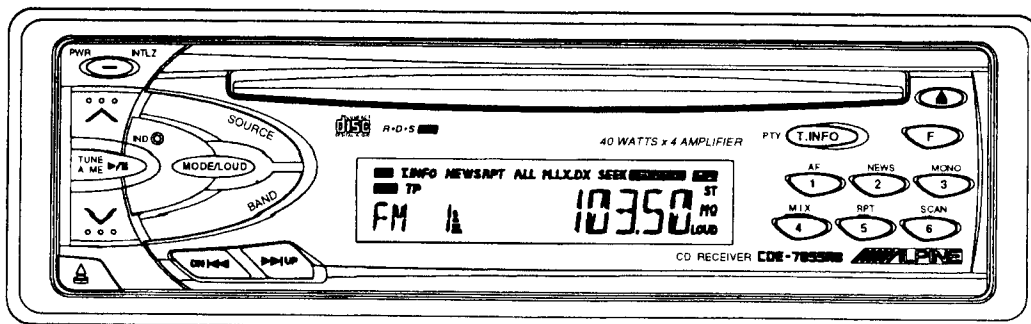
ALPINE



ALPI-00495

SERVICE MANUAL

FM/LW/MW/RDS CD Receiver



(CDE-7855RB)

**CDE-7855RB/CDE-7854RM/
CDE-7854R**

Contents

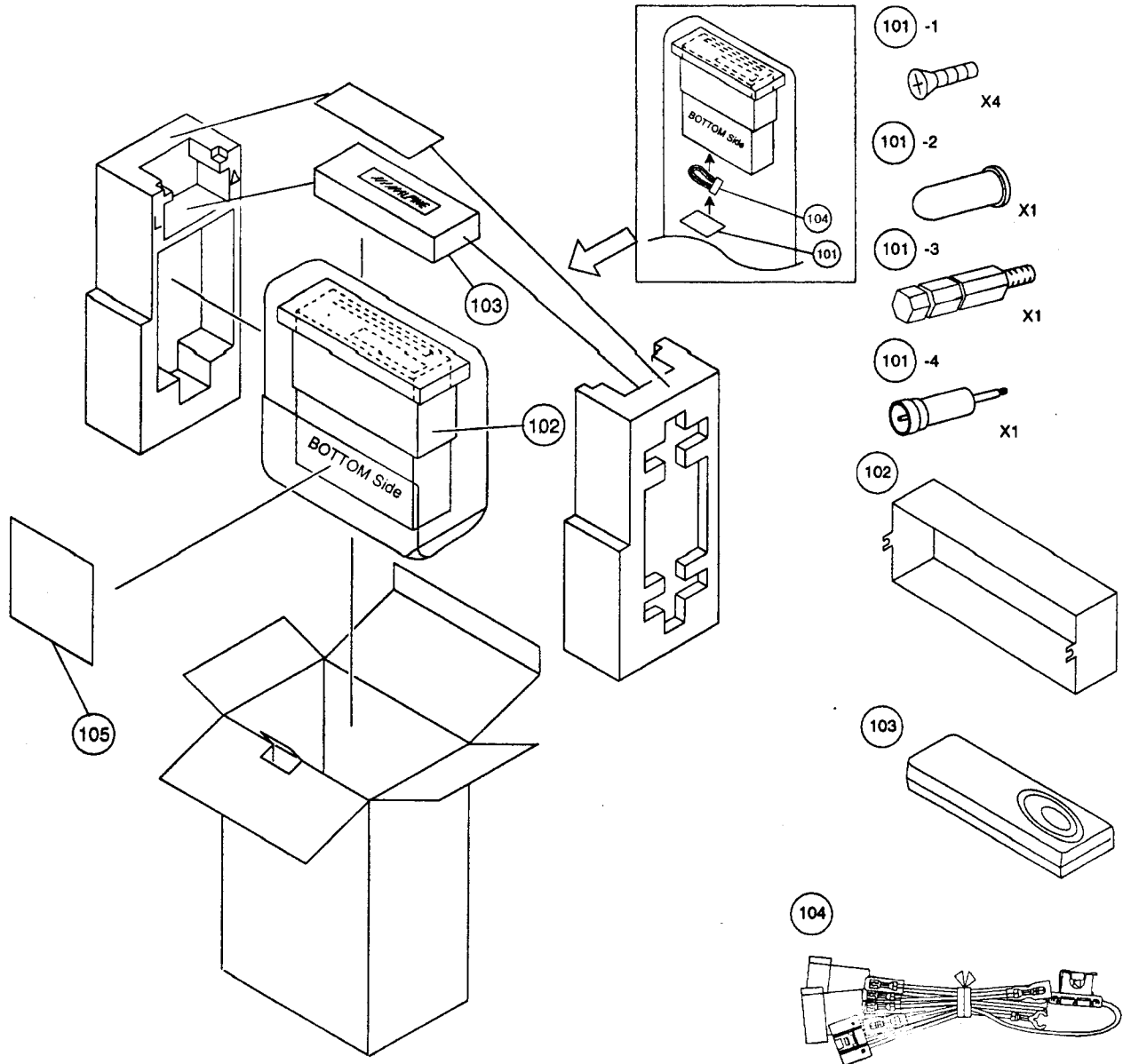
Packing Assembly Parts List	3
Packing Method View	3
Specifications	4, 5
Servo Monitor	6~8
Adjustment Procedures	9, 10
Adjustment Locations	10
Block Diagram	11
Parts Layout on P.W.Boards and Wiring Diagram	12~21
Schematic Diagram	22~33
Terminal Voltage of IC/TR	34~37
Description of IC Terminal	38, 39
Electrical Parts List	40~48
Cabinet Assembly Parts List	49
Exploded View (Cabinet)	50, 51
Exploded View (CD Deck Mechanism) (DP23S21A)	52, 53
CD Deck Mechanism Assembly Parts List	54

NOTE : Due to continuing product improvement, specifications and designs are subject to change without notice.

Packing Assembly Parts List

Symbol No.	Part No.	Description	Symbol No.	Part No.	Description
101-1	03S72235F13	Screw, Countersink (M5X8)			
101-2	36A11113W01	Cap, Rubber (A)			
101-3	03A11112W01	Bolt, Hex. (M5) (A)			
101-4	01T15394Y02	ANT, JASO-ISO			
102	15D00529K01	Case, Inner			
103	15D10867Y01	Carrying, Case			
104	01T15359Y03	Assy., ISO Connector			
105	68P01149K43	Owner's Manual			

Packing Method View



Specifications

< CD SECTION >

System	Optical (Compact Disc System)
Quantizing Bit Number	16bit Linear system
Channels	2 Channels
Channel Balance (1kHz)	0±3dB
Distortion (1kHz)	0.1%
Frequency Response (Ref. 1kHz)	17Hz : 0±3dB
	127Hz : 0±2dB
	10.007kHz : 0±2dB
	19.997kHz : 0±4dB
S/N Ratio	85dB
Separation (1kHz)	55dB
De-Emphasis (Ref. 1kHz)	4kHz : -20±3dB
	16kHz : -20±3dB

< FM RADIO >

Intermediate Frequency	10.7±0.1MHz
Frequency Range	87.5~108MHz
Usable Sensitivity (Mono, 3% Dist., at 98.1MHz)	20.2dBf
-3dB Limiting Sensitivity (at 98.1MHz)	20.2dBf
Residual Noise (Ref. 400Hz, at 98.1MHz)	25±10dB
S/N Ratio (Stereo, at 98.1MHz)	55dB
Image Rejection (at 106.1MHz)	40dB
IF Rejection (at 90.1MHz)	60dB
Distortion (Input 60dBμ, at 98.1MHz)	1%
Frequency Response (Ref. 400Hz, at 98.1MHz)	100Hz : 0±3dB
	10kHz : -12±3dB
Stereo Separation (1kHz, at 98.1MHz)	20dB
PS Sensitivity (at 98.1MHz)	25dB

< MW RADIO >

Intermediate Frequency	450kHz
Frequency Range	531~1,602kHz
Usable Sensitivity (20dB S/N, at 999kHz)	34dB
S/N Ratio (at 999kHz)	44dB
Image Rejection (at 603kHz)	40dB
IF Rejection (at 603kHz)	40dB
Distortion (at 999kHz)	1.5%
Frequency Response (Ref. 400Hz, at 999kHz)	100Hz : -3±4dB
	4kHz : -12+4, -8dB

CDE-7855RB/CDE-7854RM/CDE-7854R

Servo Monitor (Part No. 01E20845S01)

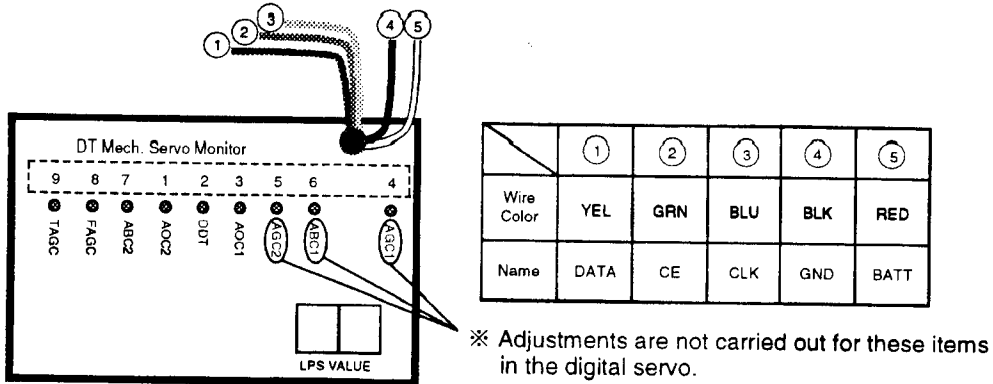
I. Purpose

The CDE-7855RB/CDE-7854RM/CDE-7854R includes the DP-S mechanism, A digital servo LSI performs digital signal processing. It contains external adjustment circuits used so far and various adjustments are made automatically.

The DT Mech. Servo Monitor is a jig which judges if the automatic adjustments are made correctly, and performs following checks.

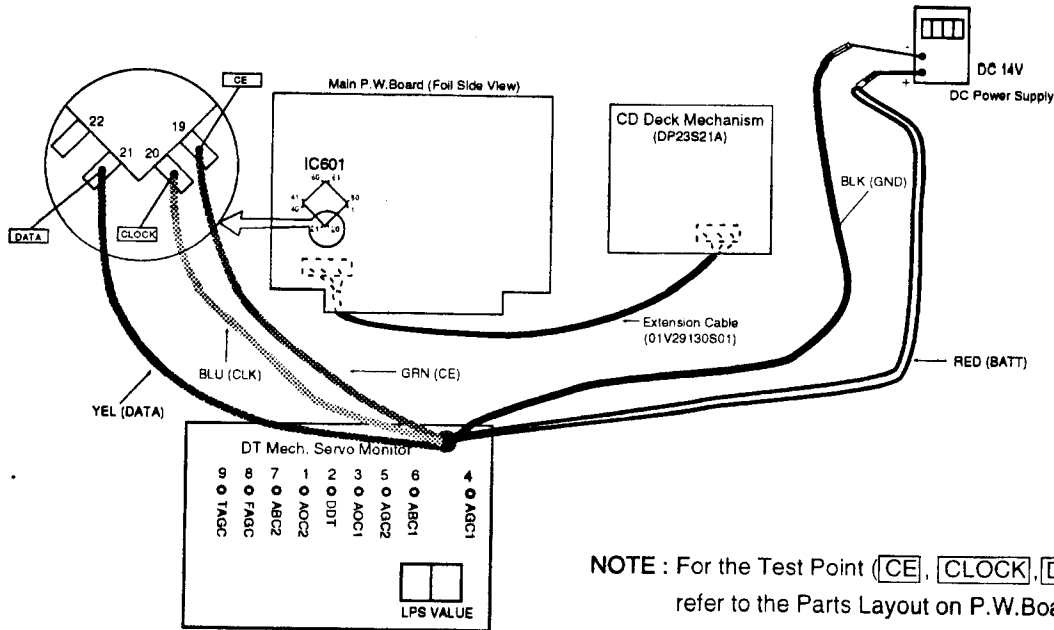
1. Displays whether the adjustments are made correctly.
2. Performs "Yes/No" judgment for the automatic adjustments.
3. Displays failure items with LED indications, thus making the failure analysis of the servo circuits easy.

External appearance



* Figures in the dotted line shows an order of the automatic adjustments.

II. Connection points and connection method



Connect each wire lead to the point as illustrated.

* As the test points are closely located, take sufficient care not to make a short-circuit when connecting. Moreover, when confirming the automatic adjustments after completion of the wire lead connection, always keep the set in a horizontal position. If not, correct operation may be not obtained.

CDE-7855RB/CDE-7854RM/CDE-7854R

<LW RADIO>

Intermediate Frequency	450kHz
Frequency Range	153~281kHz
Usable Sensitivity (20dB S/N, at 216kHz)	38dB
S/N Ratio (at 216kHz)	42dB
Image Rejection (at 270kHz)	40dB
IF Rejection (at 162kHz)	50dB
Distortion (at 216kHz)	1.5%
Frequency Response (Ref. 400Hz, at 216kHz)	100Hz : -3±4dB 4kHz : -12+4, -8dB

<GENERAL>

Power Supply	DC14.4V
Power Output (T.H.D. 10%) /Impedance	16W/ch/4ohm
Pre Output/Impedance	1.2V/10Kohm
Dimensions (W×H×D)	Chassis : 178×50×158mm Nose : 188×58×16.5mm
Weight	1.5kg

NOTE : Due to Continuing product improvement, specifications and designs are subject to change without notice.

CDE-7855RB/CDE-7854RM/CDE-7854R

III. Operation Specifications

In the automatic adjustment operations of CDE-7855RB/CDE-7854RM/CDE-7854R, a main microcomputer issues commands corresponding to each adjustment item and the digital servo LSI performs the adjustments according to the commands.

The servo monitor jig receives signals returned to the main microcomputer from the digital servo LSI and turns the LED's on or off. By checking the status of the LED turned on or off, the adjustment status (completion/not completion) for each adjustment item can be confirmed.

To make the "Yes/No" judgment, following test discs are necessary.

1. A-BEX TCD-721 (4th music - 0.8mm) : Scratch test disc
2. A-BEX TCD-782 : Signal test disc

Treatment method to the LED display

1. If LED's other than the FAGC and TAGC are turned on, perform the failure analysis with the failure analysis chart according to the LED display.
2. If only the LED's FAGC and TAGC are turned on (Focus/Tracking fine-AGC adjustment are not completed.), performs the focus/tracking gain adjustment, and if they are within the specifications, the adjustments are normal.

i) Description of each LED

La : Fault				Unit : OK			
Adjustment Order	LED Name	Adjustment item	Content	Adjustment Order	LED Name	Adjustment item	Content
1	AOC2	Tracking offset adjustment	Makes correction by offsetting tracking error value.	6	ABC1	Focus balance adjustment	Makes correction so that focus error signal is balanced between positive and negative intervals (Not Used Order)
2	DDT	Disc detection	Detects presence or absence of a disc.	7	ABC2	Tracking balance adjustment	Makes correction by using average value of tracking error as a balance value.
3	AOC1	Focus offset adjustment	Makes correction by offsetting focus error value.	8	FAGC	Focus gain adjustment	Adjusts focus fine-gain within suitable value by injecting external disturbance.
4	AGC1	Focus rough gain adjustment	Determines the amount of external interference applied at the time of the focus rough gain adjustment. (Not Used Order)	9	TAGC	Tracking gain adjustment	Adjusts tracking fine-gain within suitable value by injecting external disturbance.
5	AGC2	Tracking rough gain adjustment	Determines the amount of external interference applied at the time of the tracking rough gain adjustment. (Not Used Order)				

ii) Seven-Segment LED (LPS Value)

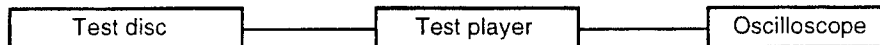
Not used since this model is a single CD player. Indication shows "00".

Measurement procedures

A. RF signal level measurement

Output voltage obtained by receiving the main beam returned with photo diodes and by converting the current A+B+C+D into a voltage.

1. Block diagram



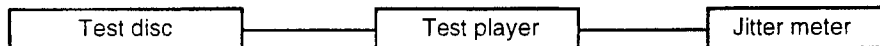
2. Measurement method

- (a) Connect GND terminal of oscilloscope to VRO (TA2122FN (IC102), pin 21) and measure the RFO signal on pin 28 of TA2122FN (IC102).
- (b) Play the first track of the test disc A-BEX TCD-782.
- (c) Read the peak-to-peak value of the signal.
Spec. : 1.25+0.55, -0.25V
* If the voltage is out of specification, check TA2122FN (IC102) / pickup.

B. Jitter measurement

The standard deviation of the pulse width when triggered by the rising edge of 3T component of RF signal.

1. Block diagram



2. Measurement method

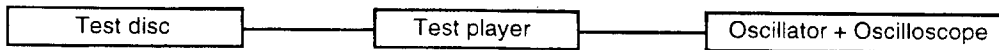
- (a) Connect GND terminal of jitter meter to VRO (TA2122FN (IC102), pin 21) and measure the RFGO signal on pin 25 of TA2122FN (IC102).
- (b) Play the first track of the test disc A-BEX TCD-782.
- (c) Read the indication of the jitter meter.
Spec. : Less than 25nS
* If out of the specification, check TA2122FN (IC102) / pickup.

CDE-7855RB/CDE-7854RM/CDE-7854R

C. Focus servo gain measurement

Set focus servo open loop gain to servo On. (Perform measurement under the loop closed status.)

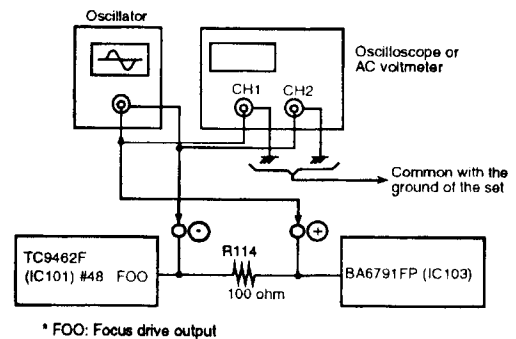
1. Block diagram



2. Measurement method, using an oscillator and an oscilloscope.

- Connect oscillator across the gain measurement resistor (100 ohm). (Servo drive side is hot.)
- Connect CH1 (hot side) of the oscilloscope to the servo driver side of the gain measurement resistor (100 ohm). (Connect the cold side to the GND side of the set.)
- Connect CH2 (hot side) of the oscilloscope to TC9462F (IC101) side of the gain measurement resistor (100 ohm). (Connect the cold side to the GND side of the set.)
- Play back 8th track (no sound section) of the test disc A-BEX TCD-782.
- Feed 1.0 kHz, 200 mVp-p signal from the oscillator, and compare amplitudes of CH1 and CH2 signals of the oscilloscope and convert them into a dB value.
 Gain (dB) = 20 Log (CH2/CH1)
 Spec. : within ±3dB, normal
 * If it is out of specification, TC9462F (IC101) (digital servo LSI) will be failure.
 NOTE) AC voltmeter can be used instead of the oscilloscope.

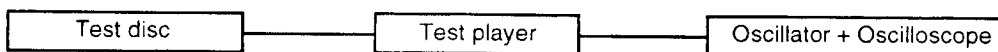
3. Connection (Example)



D. Tracking servo gain adjustment

Set the tracking servo open loop gain to servo ON. (Perform the measurement under the loop closed status.)

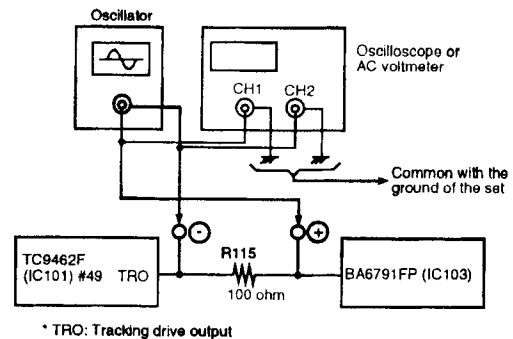
1. Block diagram



2. Measurement method, using an oscillator and an oscilloscope.

- Connect the oscillator across the gain measurement resistor (100 ohm). (Servo driver side is hot.)
- Connect CH1 (hot side) of the oscilloscope to the servo driver side of the gain measurement resistor (100 ohm). (Connect the cold side to the GND side of the set.)
- Connect CH2 (hot side) of the oscilloscope to TC9462F (IC101) side of the gain measurement resistor (100 ohm). (Connect the cold side to the GND side of the set.)
- Play back 8 track (no sound section) of the test disc A-BEX TCD-782.
- Feed 1.0 kHz, 25 mVp-p signal from the oscillator, and compare amplitudes of CH1 and CH2 signals of the oscilloscope and convert them into a dB value.
 Gain (dB) = 20 log (CH2/CH1)
 Spec. : within ±3dB, normal
 * If it is out of specification, TC9462F (IC101) (digital Servo LSI) will be failure.
 NOTE) AC voltmeter can be used instead of the oscilloscope.

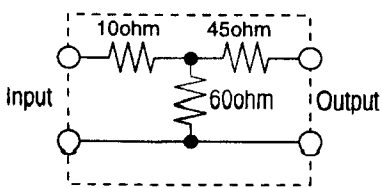
3. Connection (Example)



Adjustment Procedures

1. FM SECTION

(1) Dummy Antenna Circuit



For 50 ohm FM Signal Generator

Figure 1

(2) Connections

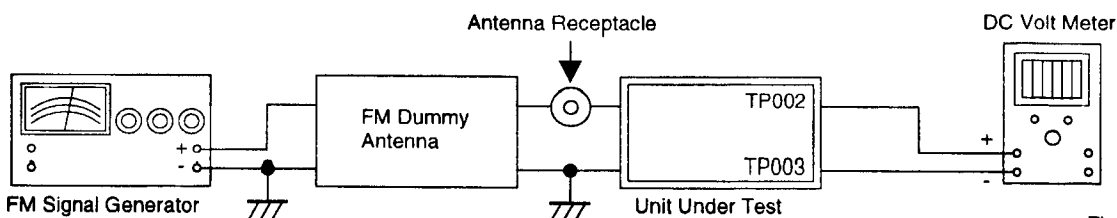


Figure 2

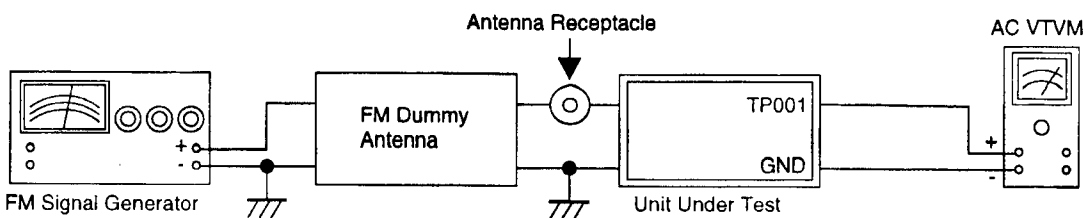


Figure 3

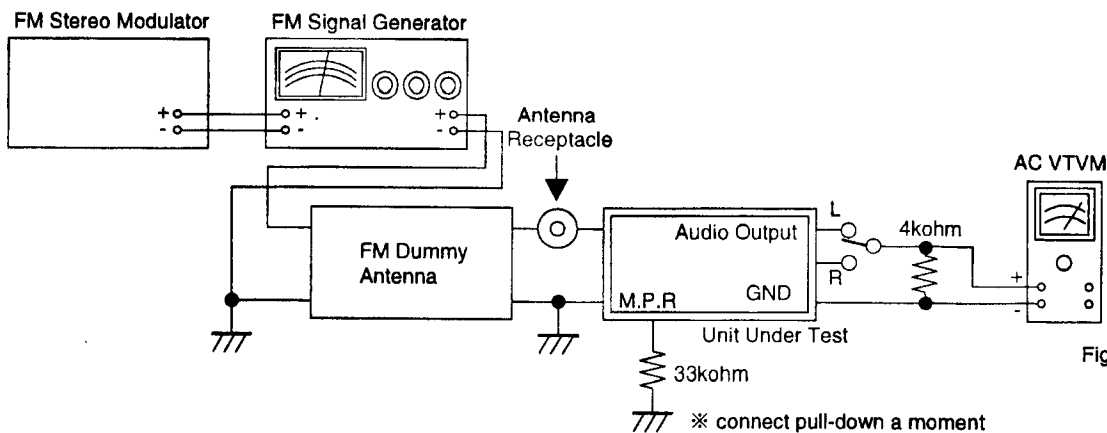


Figure 4

(3) Control Settings

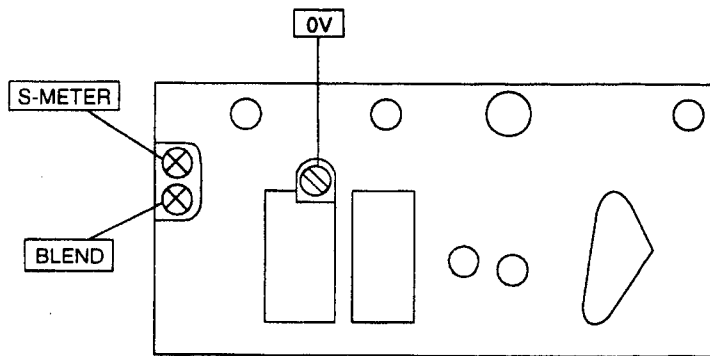
Power Switch ON	Bass Control Center Position
Fader Control Center Position	Band Switch FM
Balance Control Center Position	Others OFF
Treble Control Center Position		

CDE-7855RB/CDE-7854RM/CDE-7854R

(4) Adjustment Procedures

Step	Description	Connection	Signal Generator	Dial Control	Test Point / P.W.Board Coordinates	Adjustment
1	IF Adjustment	Figure 2	98.1MHz, 72dB μ (Mod. OFF)	98.1MHz	TP002 (1-D) TP003 (1-D)	Adjust 0V to -5~15mV.
2	Signal Meter Adjustment	Figure 3	98.1MHz, 46dB μ (Mod. 400Hz, Dev. 40kHz)	98.1MHz	TP001 (1-C)	Adjust S-METER to 3.5 \pm 0.1V output.
3	Stereo Blend Adjustment (Lch)	Figure 4	98.1MHz, 46dB μ (Stereo, 1kHz, Lch only)	98.1MHz	Audio Output M.P.R (1-D)	Adjust BLEND for Lch and Rch output level difference to be 8dB.
4	Stereo Blend Adjustment (Rch)	Figure 4	98.1MHz, 46dB μ (Stereo, 1kHz, Rch only)	98.1MHz	Audio Output M.P.R (1-D)	Proceed same adjustment under step 3.

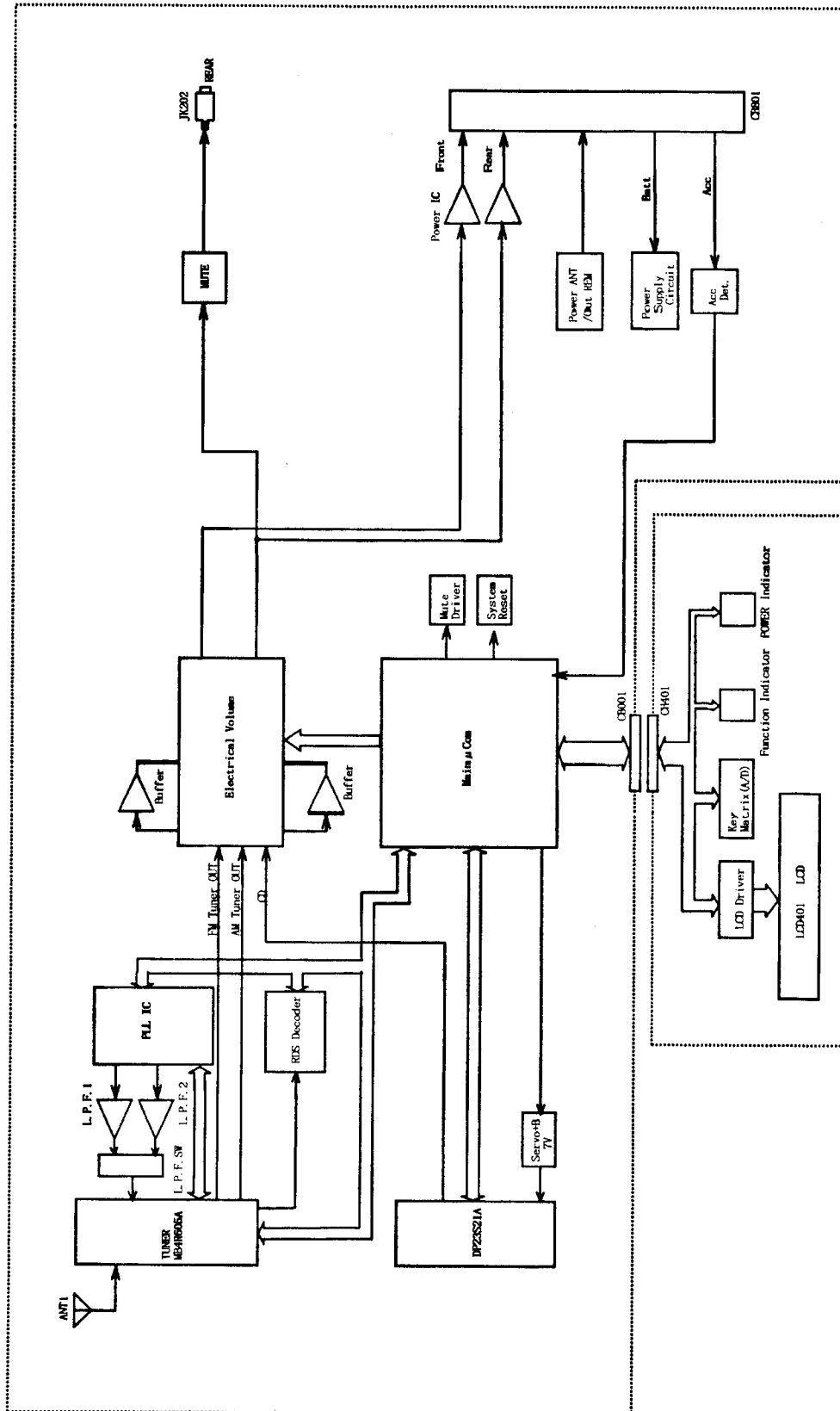
Adjustment Locations



FM/MW/LW Tuner Unit, MB4R605A (TU001)

NOTE : For the Test Points, refer to the Parts Layout on P.W.Boards and Wiring Diagram.

Block Diagram

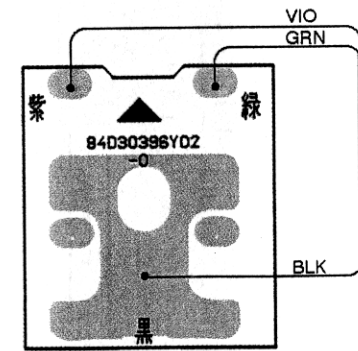
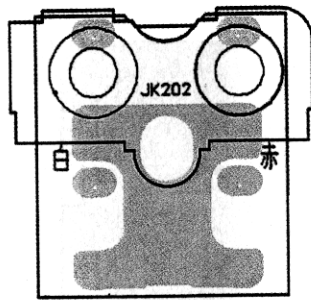


To Main P.W.Board (Foil Side View) (C)

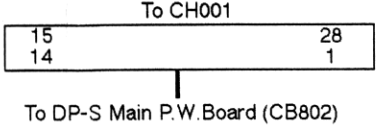
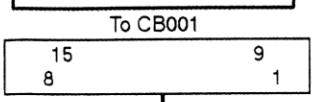
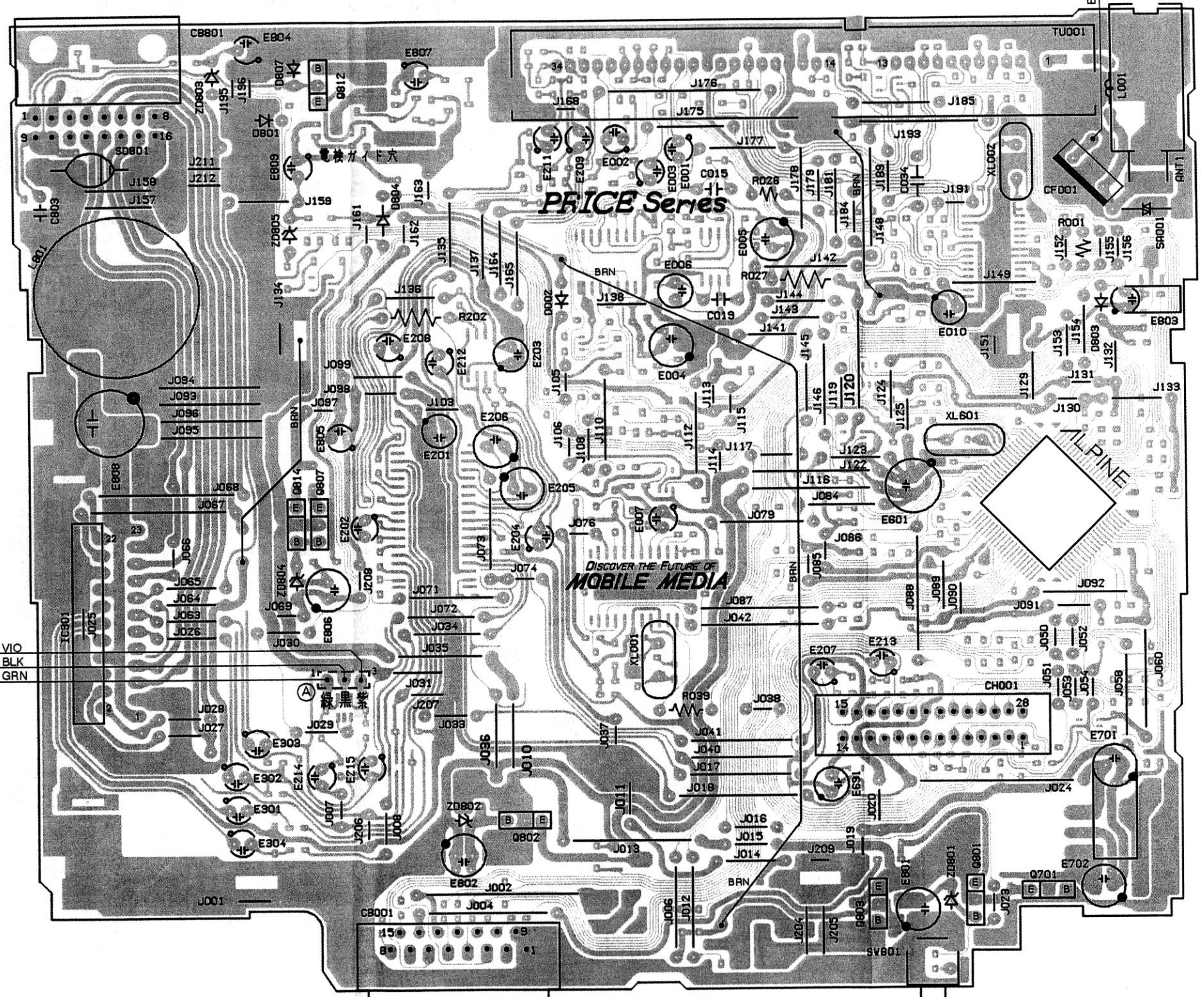
1
2
3
4
5

Main P.W.Board (Component Side View)

RCA P.W.Board
(Component Side View)



RCA P.W.Board
(Foil Side View)



From Front P.W. Board (CH401)

- 13 -

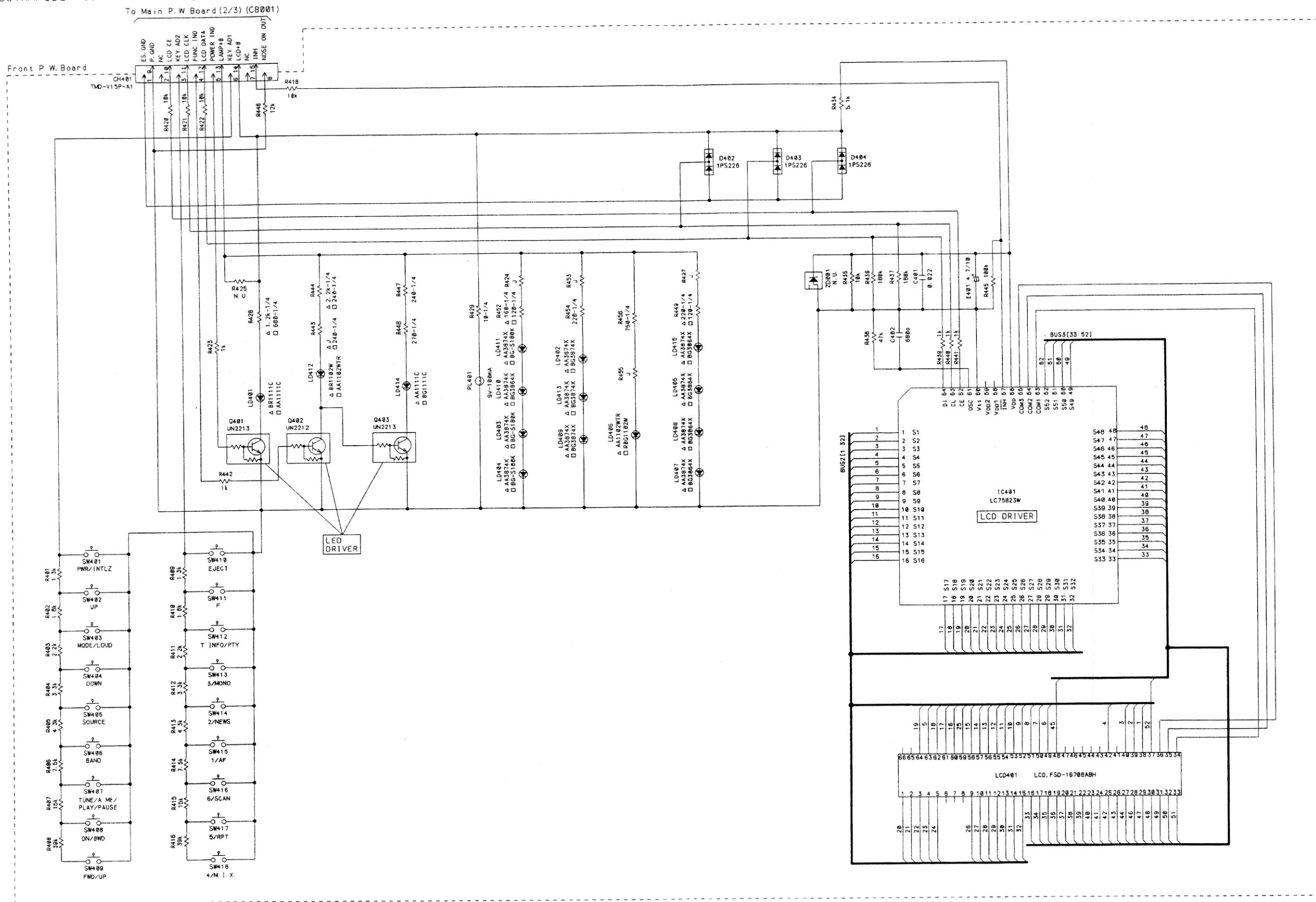
Gray : Foil Side Pattern

A | B | C | D | E | F | G

Schematic Diagram (5/6)

<CDE-7854RM/CDE-7854R Model Only>

CDE-7855RB/CDE-7854RM/CDE-7854R

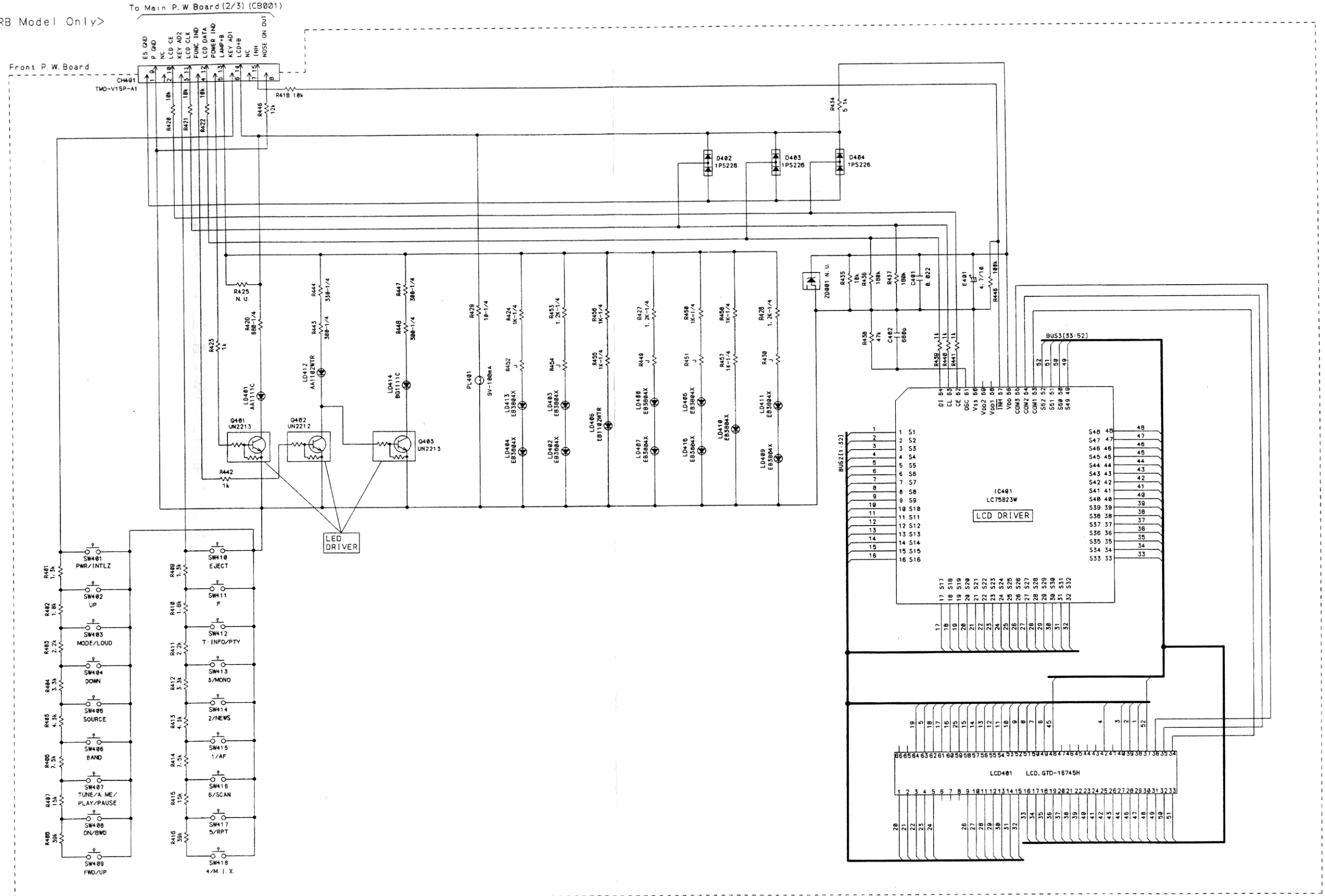


NOTE Δ For CDE-7854RM Model Only, □ For CDE-7854R Model Only, Others: Common.

NOTE: N. U. is Not Used Parts.

CDE-7855RB/CDE-7854RM/CDE-7854R
Schematic Diagram (4/6)

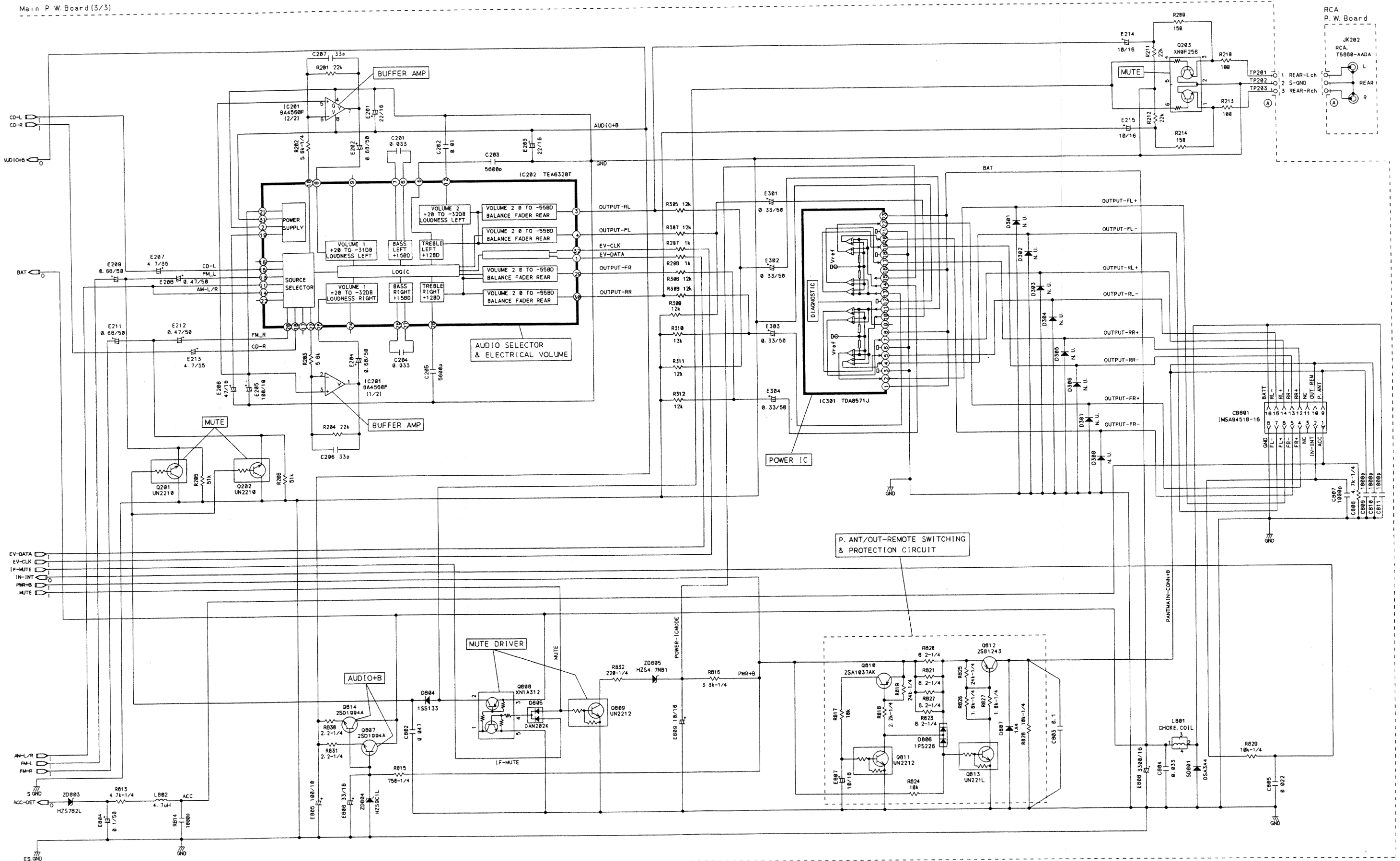
<CDE-7855RB Model Only>



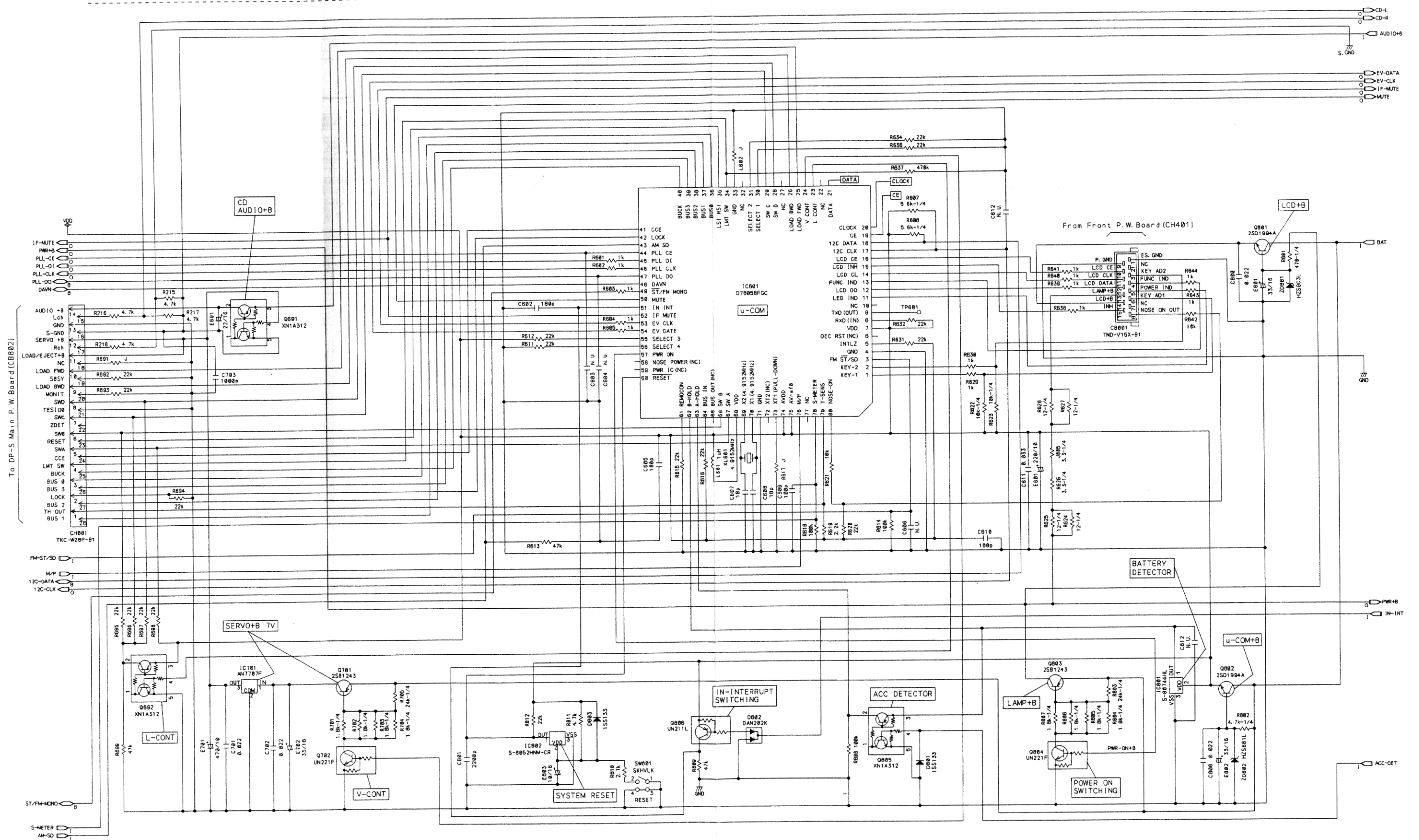
NOTE: N. U. is Not Used Parts.

Schematic Diagram (3/6)

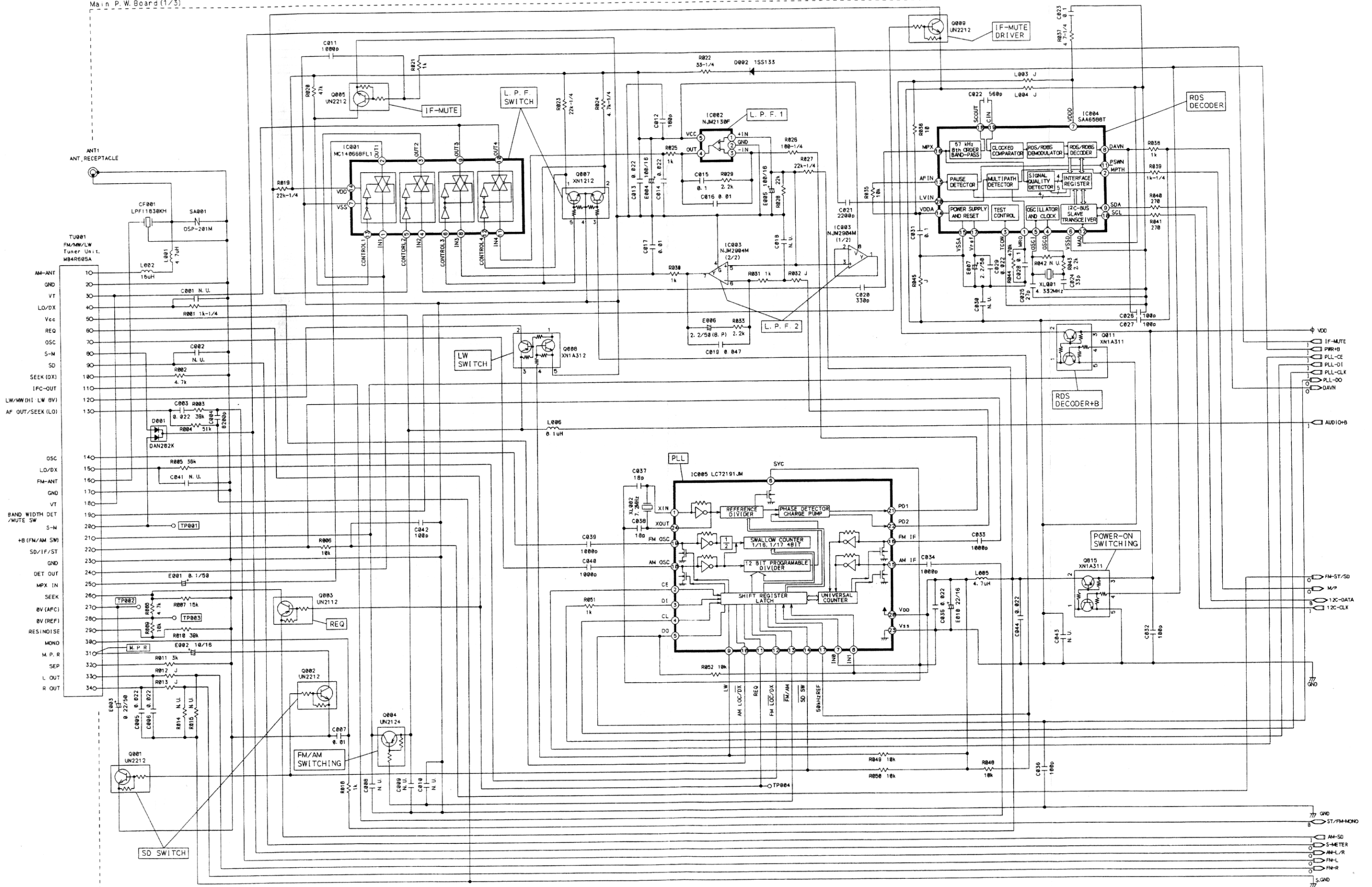
Main P. W. Board (3/3)



CDE-7855RB/CDE-7854RM/CDE-7854R
 Schematic Diagram (2/6)
 Main P.W. Board (2/3)



Main P.W. Board (1/3)



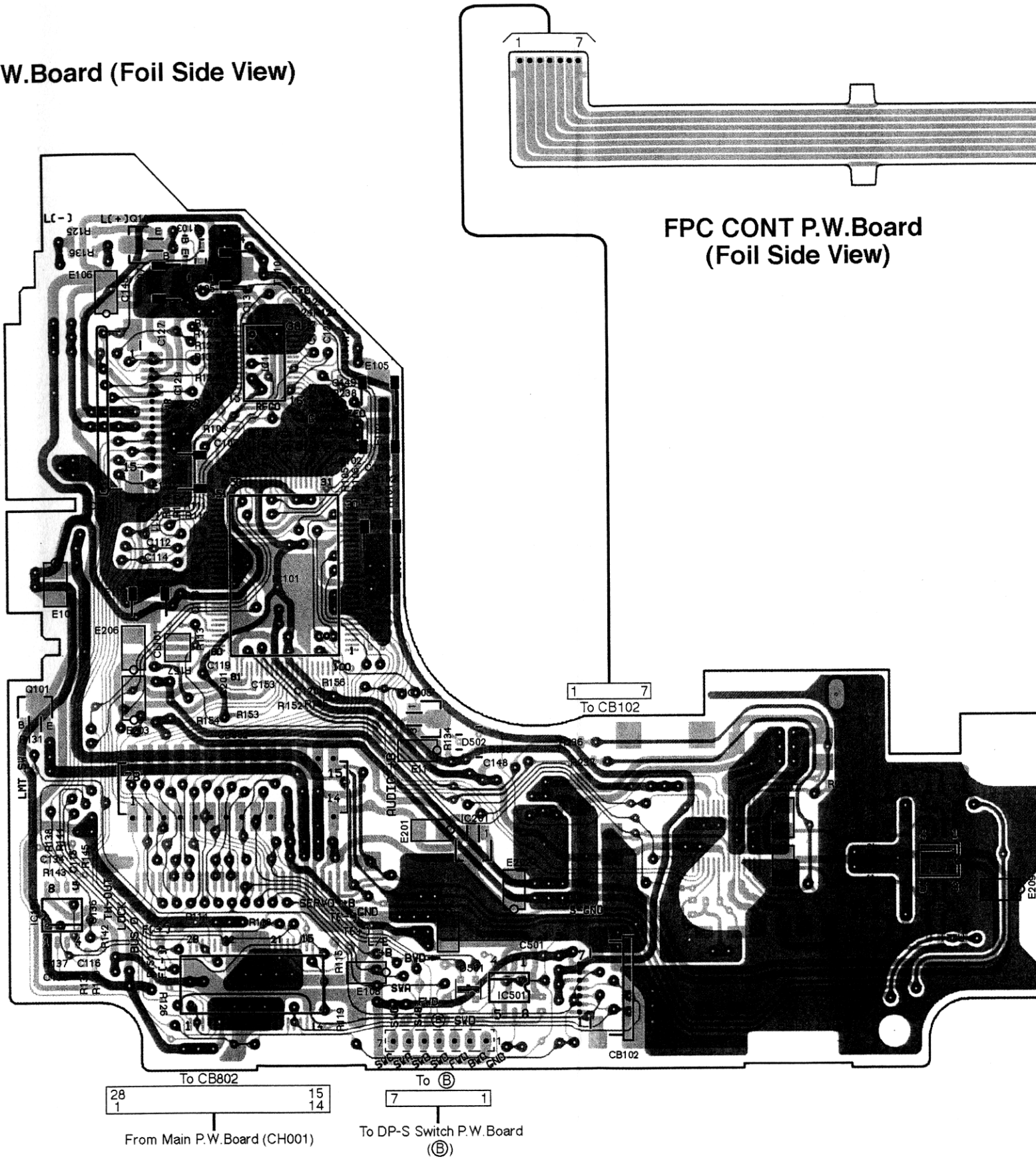
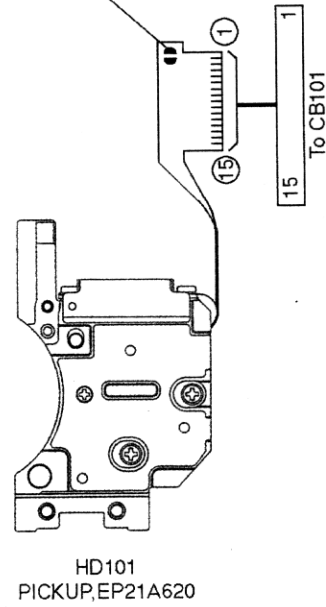
Parts Layout on P.W.Boards and Wiring Diagram (5/5)

CDE-7855RB/CDE-7854RM/
CDE-7854R

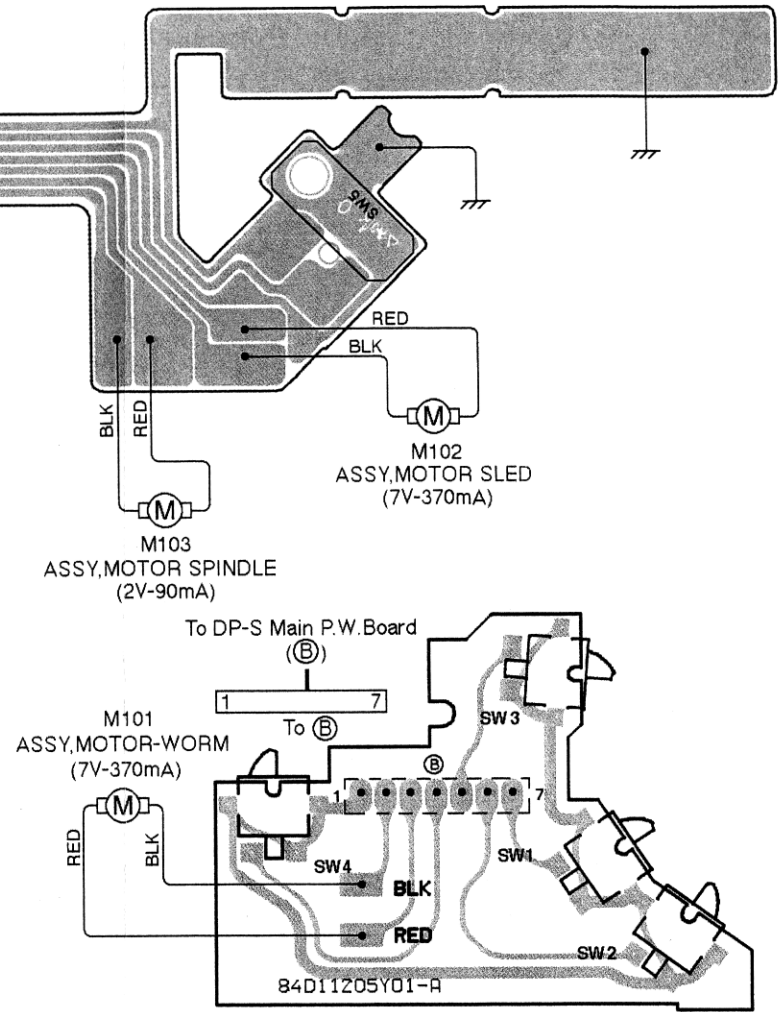
1
2
3
4
5

DP-S Main P.W.Board (Foil Side View)

NOTE: The patterns should be short-circuited, when the PICKUP (HD101) is CD deck mechanism.



FPC CONT P.W.Board (Foil Side View)



DP-S Switch P.W.Board (Foil Side View)

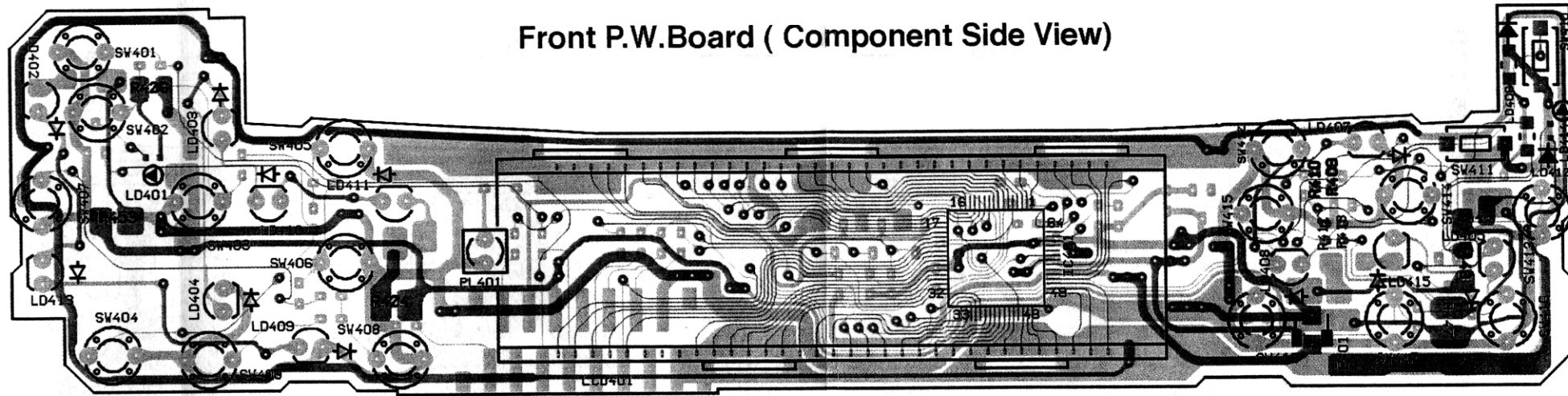
Dark Gray : Component Side Pattern
Gray : Foil Side Pattern

A | B | C | D | E | F | G

Parts Layout on P.W.Boards and Wiring Diagram (4/5) (CDE-7854RM/CDE-7854R Model Only)

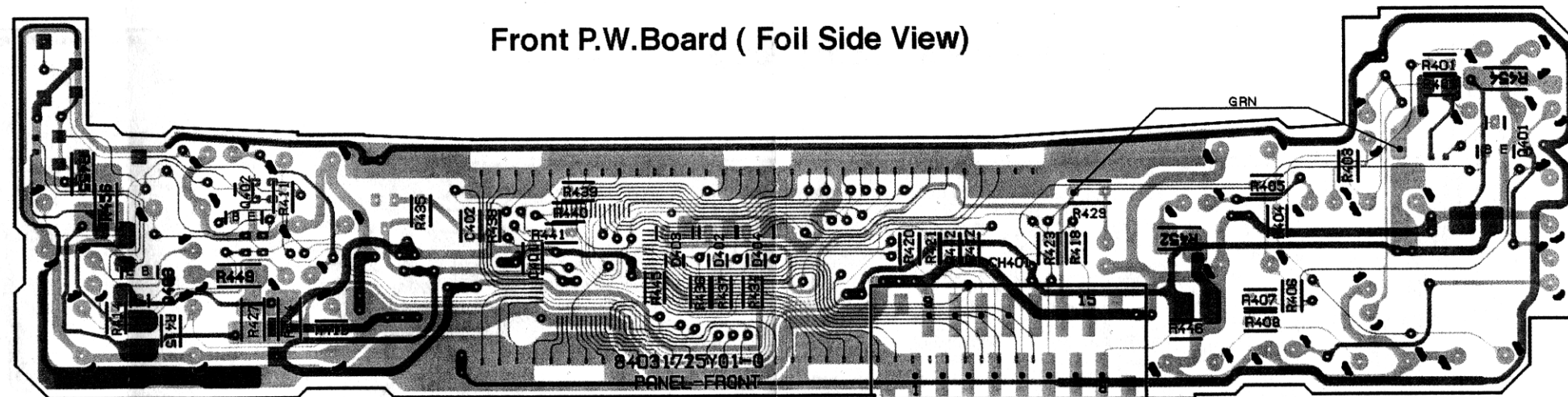
1

Front P.W.Board (Component Side View)



2

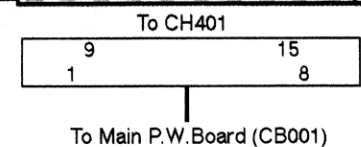
Front P.W.Board (Foil Side View)



3

4

5



Dark Gray : Component Side Pattern
Gray : Foil Side Pattern

A

B

C

D

E

F

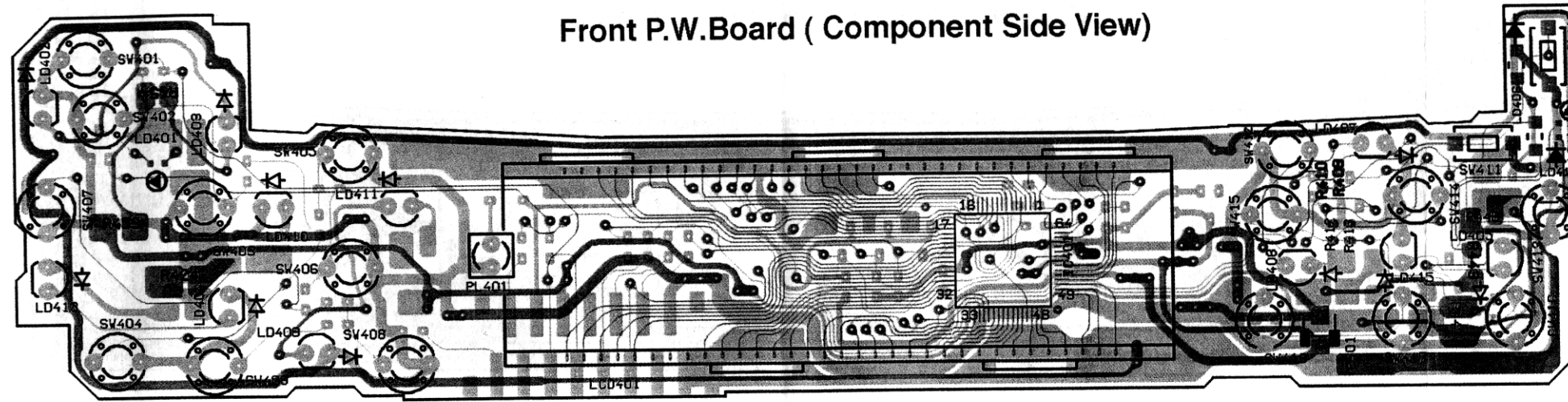
G

Parts Layout on P.W.Boards and Wiring Diagram(3/5) (CDE-7855RB Model Only)

CDE-7855RB/CDE-7854RM/
CDE-7854R

1

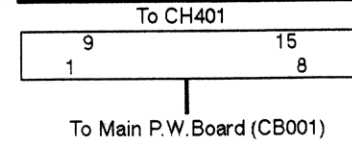
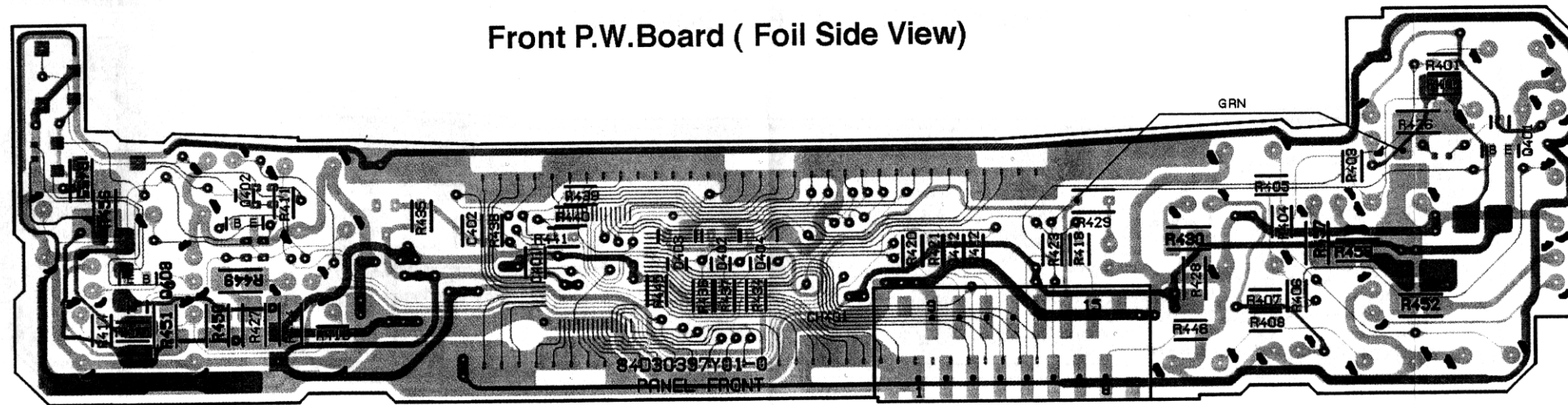
Front P.W.Board (Component Side View)



2

3

Front P.W.Board (Foil Side View)



4

5

Dark Gray : Component Side Pattern
Gray : Foil Side Pattern

A

B

C

D

E

F

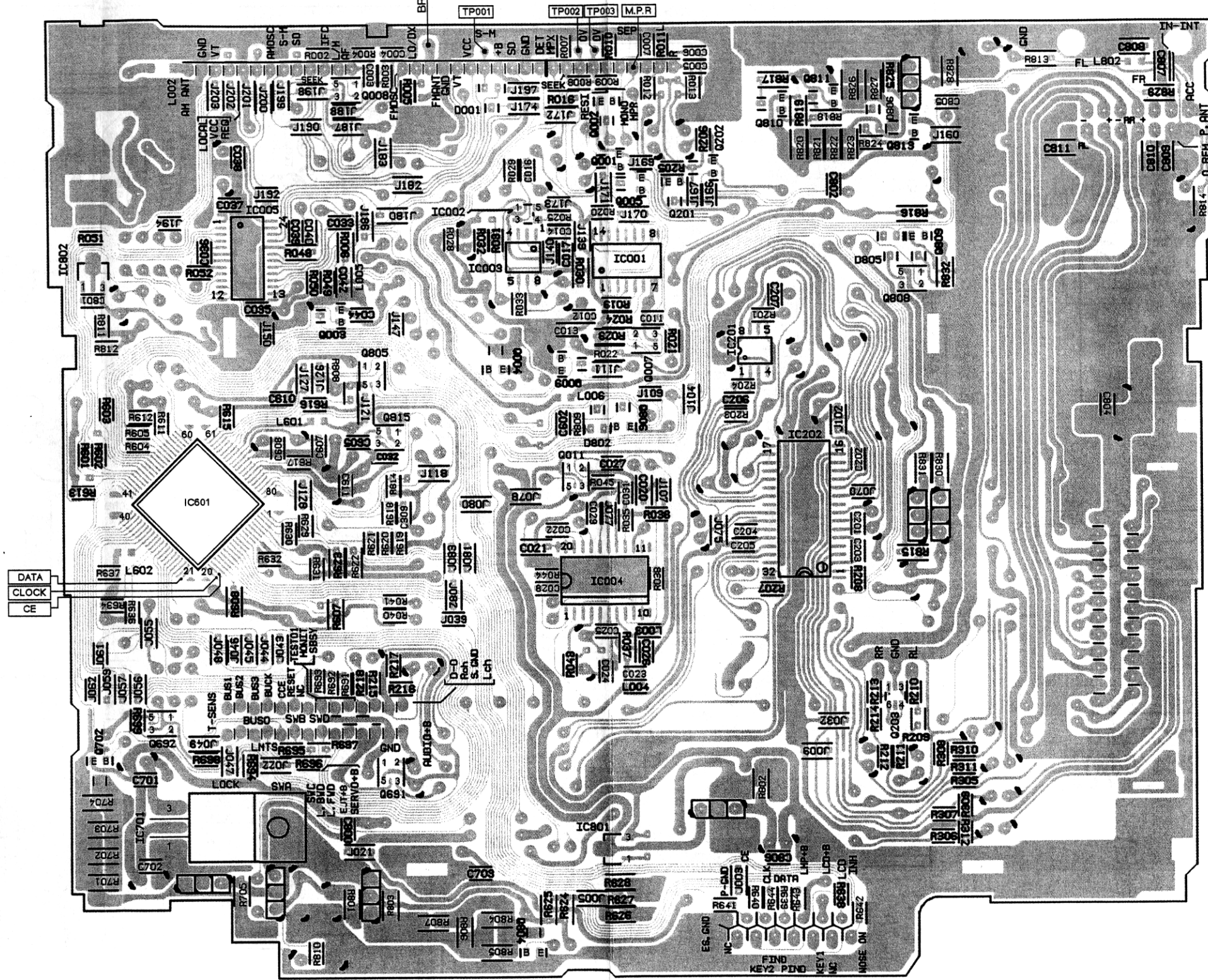
G

Parts Layout on P.W. Boards and Wiring Diagram (2/5)

1
2
3
4
5

To Main P.W. Board (Component Side View) (C)

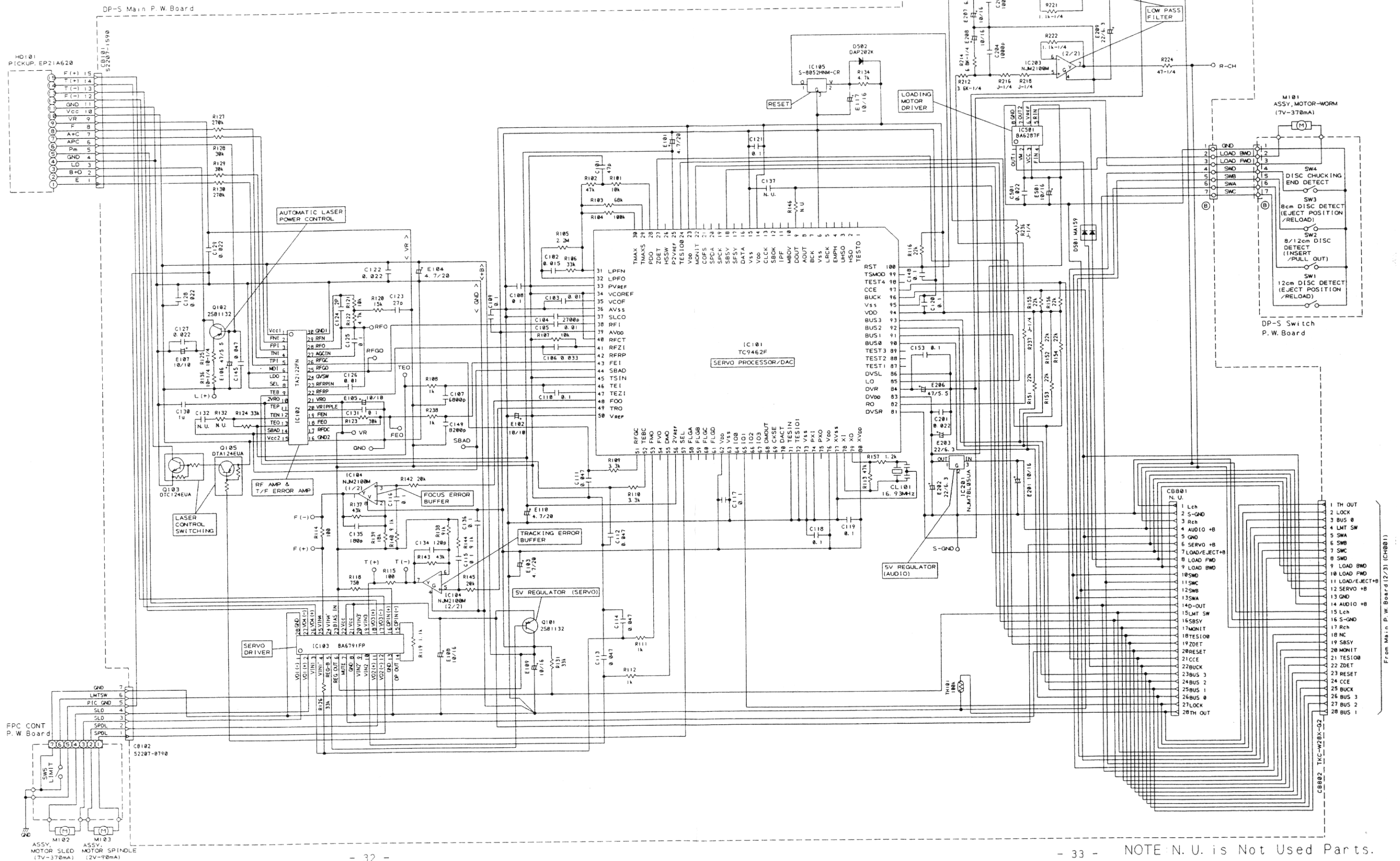
Main P.W. Board (Foil Side View)



Gray : Foil Side Pattern

A | B | C | D | E | F | G

CDE-7855RB/CDE-7854RM/CDE-7854R
Schematic Diagram (6/6)



Terminal Voltage of IC/TR

IC001

1	3.36V	
2	0.02V	
3	0.03V	
4	0.02V	
5,6	0.01V	
7	0V	
8	0.38V	
9,10	1.99V-7.37V	FM SEEK
11	0.01V	
12	13.98V	
13	13.62V	
14	14.32V	

IC002

1	2.5V	
2	0V	
3	2.52V	
4	1.99V-7.37V	at FM SEEK
5	14.26V	

IC003

1,2	0V	
3	2.5V	
4	0V	
5	2.5V	
6	2.53V	
7	1.88V-7.57V	LW, MW SEEK
8	14.26V	

IC004

1	0.05V	12	0V
2	0.19V	13	2.54V
3	0V	14	4.86V
4	2.32V	15	0V
5	1.44V	16	2.33V
6	0V	17	2.39V
7,8	4.97V	18	2.47V
9,10	5.05V	19	2.19V
11	NC	20	2.37V

IC005

1	OSC	
2-4	PS / 0V	Changing Station / Others
5	PS / 5.04V	Changing Station / Others
6,7	0V	
8	5.05V	
9	3.56V / 0.15V	LW / MW • FM
10	5.04V / 0V	AM LO SEEK / Others
11	5.03V / 0V	at SEEK / Others
12	0.03V / 4V	FM LO SEEK / Others
13	8.48V / 0.23V	AM / FM
14	2.88V / 0.01V	FM / FM SEEK
15,16	0.01V	
17	3.46V / 0.05V	FM / AM
18	2.34V / 0V	AM / FM
19	2.32V / 0V	FM / AM
20	4.98V	
21	2.51V / 0.05V	FM / AM
22	2.55V	
23	0V	
24	OSC	

IC201

1	4.37V
2	4.38V
3	4.37V
4	0V
5-7	4.37V
8	8.7V

IC202

1	PS	18	4.36V
2	0V	19	8.63V
3	4.38V	20	4.36V
4	4.35V	21	4.38V
5-7	4.38V	22	NC
8	4.31V	23	4.38V
9	NC	24	NC
10	4.38V	25	4.31V
11	4.37V	26, 27	4.38V
12	8.65V	28	4.37V
13	4.36V	29, 30	4.35V
14	4.37V	31	8.71V
15	4.36V	32	PS
16,17	NC		

IC301

1	14.4V	
2	0V / 7V	POWER OFF / ON
3	0V	
4	0V / 7V	POWER OFF / ON
5	0V / 7.7V	POWER OFF / ON
6	0V	
7	0V / 6V	POWER OFF / ON
8	14.4V	
9	NC	
10	0V / 1.9V	POWER OFF / ON
11	0V / 1.8V	POWER OFF / ON
12	0V	
13,14	0V / 1.9V	POWER OFF / ON
15	0V / 14V	POWER OFF / ON
16	14.4V	
17	0V / 7.1V	POWER OFF / ON
18	0V	
19,20	0V / 7.1V	POWER OFF / ON
21	0V	
22	0V / 7.2V	POWER OFF / ON
23	14.4V	

CDE-7855RB/CDE-7854RM/CDE-7854R

IC401

1-55	PS
56	5.44V
57	4.98V
58, 59	NC
60	0V
61-64	PS

IC701

1	14.62V	
2	0V	
3	6.62V	at CD


IC801

1	4.89V
2	5.1V
3	0V

IC802

1	4.98V
2	5.06V
3	0V

IC601

1, 2	5.14V	Not PUSH KEY	42	OSC / 0V	CD RUN / Others
3	0.03V / 4.3V	ST / MO	43	 / 0V	AM SEEK Station ON / Others
4	0V		44-47	PS / 0V	Changing Station / Others
5	5.08V		48	4.95V / 0.01V	FM / AM
6	NC		49	1.23V	
7	5.1V		50	0V	
8	5.09V		51	5.12V / 0V	IN-INT / Others
9	PS		52	0V	
10	NC		53, 54	PS	
11	5.08V		55	5.01V	
12	PS		56	0V	
13	5.08V / 0V	FUNC IND ON / OFF	57	4.99V / 0.14V	POWER ON / OFF
14	PS		58, 59	NC	
15	5.1V		60	5.01V	
16-18	PS		61	0V	
19-21	0V		62	4.89V	
22	NC		63	4.88V	
23	5.05V / 0.01V	DISC OUT / IN	64	4.97V	
24	5V / 0.06V	CD RUN / TUNER	65	NC	
25	5.04V / 0.06V	LOAD FWD / Others	66	4.97V / 0.01V	PACK OUT / IN
26	5.02V / 0.06V	LOAD BWD / Others	67	4.99V / 0.01V	PACK IN / OUT
27	NC		68	5.1V	
28	5.09V / 0.01V	PACK IN / Others	69, 70	OSC	
29	5.09V / 0.01V	at DISC IN OUT / Others	71	0V	
30	4.19V		72	NC	
31	0.02V		73	0V	
32	NC		74, 75	5.1V	
33	0V		76	0.05V	
34	4.77V / 0.06V	CD RUN / Others	77	NC	
35	5.03V / 0.09V	CD RUN / Others	78	3.95V / 0.23V	Station ON / OFF
36-40	PS		79	4.9V	
41	PS / 0.11V	CD RUN / Others	80	2.5V	

CDE-7855RB/CDE-7854RM/CDE-7854R

	E	C	B	MODE
Q001	0V	0V / 0.15V	2.87V / 0.07V	FM / FM SEEK
Q002	0V	0V / 0.56V	2.87V / 0.07V	FM / FM SEEK
Q003	5.04V / 0.06V	5.04V	0V / 5.01V	AM SEEK / AM
Q004	8.66V / 8.7V	8.56V / 0.02V	7.93V / 8.67V	FM / AM
Q005	0V	13.3V	0V	
Q009	0V	13.79V	0V	
Q201	0V	0V	0V	
Q202	0V	0V	0V	
Q401	0V	0.26V	3.72V	
Q402	0V	0.25V	4.84V	
Q403	0V	0.25V	0.25V	
Q701	13.62V / 14.19V	14.28V / 0.11V	14.39V / 14.42V	CD / TUNER
Q702	0V	0.09V / 14.23V	5.04V / 0.06V	CD / TUNER
Q801	9.35V	14.37V	9.97V	POWER ON
Q802	5.09V	14.38V	5.68V	
Q803	14.37V	14.35V	13.69V	POWER ON
Q804	0V	0.09V / 14.35V	5.13V / 0.03V	POWER ON / OFF
Q806	5.13V	0V / 5.12V	5.07V / 3.26V	Others / IN-INT
Q807	8.81V	14.4V	9.37V	
Q809	0V	11.66V	0V	
Q810	14.18V / 14.39V	0V / 14.36V	13.92V / 13.62V	ANT OUT / PROTECT
Q811	0V	13.67V / 0.04V	0.26V / 9.97V	ANT OUT / PROTECT
Q812	12.54V	13.18V	13.26V	ANT ON
Q813	0V	4.83V / 0.62V	0.04V / 13.97V	ANT OUT / PROTECT
Q814	8.8V	14.4V	9.37V	

	1	2	3	4	5	6
Q203	0V	0V	0V	0.01V	NC	0.01V

	1	2	3	4	5	MODE
Q007	13.66V / 0V	0.05V / 11.51V	3.47V / 0.05V	0V	0.05V / 11.51V	FM / AM
Q008	NC	8.59V / 0V	8.65V	3.53V / 0.15V	0V	LW / MW, FM
Q011	NC	4.94V / 0V	5.1V	8.61V / 0.02V	0V	FM / AM
Q691	NC	8.23V / 0.64V	8.65V / 8.71V	6.58V / 0V	0V	CD / TUNER
Q692	NC	5.11V / 0V	5.13V	5.08V / 0.06V	0V	PACK OUT / IN
Q805	NC	6.08V / 0V	4.88V / 5.11V	4.85V / 0V	4.86V / 0V	ACC ON / OFF
Q808	NC	0.01V	14.4V	0.03V	0V	
Q815	NC	5.02V	5.07V	14.39V	0V	

[Measuring Conditions]

- Power Supply Voltage : DC14.4V
- Measuring Meter : Digital Multi Voltmeter
- Measuring Point Reference : Between GND
- Measuring Conditions : FM : 98.1MHz
MW: 999kHz
LW : 216kHz

CDE-7855RB/CDE-7854RM/CDE-7854R

(CD Deck Mechanism)

IC101

1-5	NC	41, 42	2.6V	75	NC
6	0V	43	2.1V	76	5V
7-13	NC	44	2.5V	77	0V
14	5V	45	2.1V	78, 79	2.4V
15	0V	46	2.2V	80	5V
16, 17	NC	47-50	2.1V	81	0V
18	—	51	0.63V	82	2.8V
19-21	NC	52	2.3V	83	5V
22	—	53	2.1V	84	2.5V
23	5V	54	NC	85	2.6V
24	0V	55	2.3V	86	0V
25	4.3V	56	4.3V	87-89	NC
26	NC	57	5V	90-93	—
27	0V	58-61	NC	94	5V
28-34	2.1V	62	5V	95	0V
35	1.4V	63	0V	96, 97	5V
36	0V	64	NC	98, 99	NC
37, 38	2.1V	65	0V	100	5V
39	5V	66-70	NC		
40	2.1V	71-74	0V		

IC102

1	5.1V	16	0V
2-5	2.1V	17	NC
6	0V	18-21	2.1V
7	NC	22	2.6V
8	0V	23	2.1V
9	2.3V	24	NC
10	4.3V	25	2.1V
11	NC	26	0.92V
12	2.1V	27	2.1V
13	2.2V	28	3.1V
14	2.5V	29	2.1V
15	5.1V	30	0V

IC103

1, 2	3.5V	14-16	2.1V
3	2.1V	17, 18	3.5V
4	NC	19	2.1V
5	6.2V	20	NC
6, 7	5V	21, 22	6.9V
8	0V	23	2.1V
9	NC	24	NC
10	2.3V	25	2V
11	3.8V	26	3.3V
12	3.2V	27	3.7V
13	0V	28	0V

IC104

1-3	2.1V
4	0V
5-7	2.1V
8	5V

IC105

1, 2	5V
3	0V

IC201

1	5V
2	0V
3	8V

IC203

1-3	2.6V
4	0V
5-7	2.6V
8	5V

IC501

1	0.2V
2, 3	6.9V
4, 5	0V
6	6.9V
7, 8	0V

	E	C	B
Q101	6.9V	5V	6.2V
Q102	4.4V	2.6V	3.7V
Q103	0V	2.5V	0V
Q105	5V	0V	5V

[Measuring Conditions]

- Power Supply Voltage : DC14.4V
- Measuring Meter : Digital Multi Voltmeter
- Measuring Point Reference : Between GND
- Measuring Condition : at playing Music Disc

Description of IC Terminal

D78058FGC : IC601

No.	Symbol	I/O	Terminal Description
1	KEY-1	I	KEY-1 input terminal.
2	KEY-2	I	KEY-2 input terminal.
3	FM ST/ SD	I	FM STEREO, SD signal input terminal. (L : at receiving ST, H : station ON)
4	GND	—	GND connect terminal.
5	INTLZ	I	INTLZ action cancel input terminal.
6	DEC RST (NC)	—	No connect terminal.
7	VDD	—	Reference voltage input terminal of D/ A converter.
8	RxD (IN)	I	RDS monitor input terminal.
9	TxD (OUT)	O	RDS monitor output terminal.
10	NC	—	No connect terminal.
11	LED IND	O	Action indicator lighting control terminal.
12	LCD DO	O	Serial data signal output terminal to LCD DRIVER (LC75823W).
13	FUNC IND	O	FUNCTION LED lighting control terminal.
14	LCD CL	O	Communication sync. signal output terminal to LCD DRIVER (LC75823W).
15	LCD INH	O	Indicate signal output terminal to LCD DRIVER (LC75823W).
16	LCD CE	O	Chip Enable signal output terminal to LCD DRIVER (LC75823W).
17	I2C CLK	O	Serial clock output terminal to RDS decoder.
18	I2C DATA	I/O	Serial data input / output terminal to RDS decoder.
19	CE	O	LATCH output terminal for CD auto adjustment monitor.
20	CLOCK	O	CLOCK output terminal for CD auto adjustment monitor.
21	DATA	O	DATA output terminal for CD auto adjustment monitor.
22	NC	—	No connect terminal.
23	L CONT	O	Power control signal output terminal of DISC detect.
24	V CONT	O	CD power control terminal.
25	LOAD FWD	O	LOADING MOTOR forward driving signal output terminal.
26	LOAD BWD	O	LOADING MOTOR backward driving signal output terminal.
27	NC	—	No connect terminal.
28	SW D	I	DISC chucking position detect signal input terminal.
29	SW C	I	EJECT END detect signal input terminal. (12cm DISC)
30	SELECT 1	I	Function set up terminal 1. (NFP / REMOTE CONTROL • ON / OFF.....H : ON)
31	SELECT 2	I	Function set up terminal 2.. (2 Lit • ON/OFF.....H : ON)
32	NC	—	No connect terminal.
33	GND	—	GND connect terminal.
34	LMT SW	I	Detect signal input terminal for inner LIMIT detect..
35	LSI RST	O	System reset output terminal to digital servo IC (TC9462F).
36	BUS0	I/O	Communication input / output terminal to CD signal processor IC.
37	BUS1		
38	BUS2		
39	BUS3		

CDE-7855RB/CDE-7854RM/CDE-7854R

No.	Symbol	I/O	Terminal Description
40	BUCK	O	Communication output terminal to CD signal processor IC.
41	CCE	O	Communication output terminal to CD signal processor IC.
42	LOCK	I	LOCK STATUS input terminal.
43	AM SD	I	SD input terminal. (H : Station ON)
44	PLL CE	O	Data signal control signal output terminal to PLL IC (LC72191JM).
45	PLL DI	O	Serial data signal output terminal to PLL IC (LC72191JM).
46	PLL CLK	O	Communication sync. signal output terminal to PLL IC (LC72191JM).
47	PLL DO	I	Serial data signal input terminal to PLL IC (LC72191JM).
48	DAVN	I	RDS DATA Available input terminal.
49	ST / FM MONO	I/O	FM MONO ON / OFF signal input / output terminal. (H : MONO ON.....the first setting : ST)
50	MUTE	O	AUDIO MUTE signal output terminal.
51	IN INT	I	IN-INTERRUPT input terminal.
52	IF MUTE	O	IF-MUTE control terminal.
53	EV CLK	O	Serial clock signal output terminal to E-VOL (TEA6320T).
54	EV DATA	O	Serial data signal output terminal to E-VOL (TEA6320T).
55	SELECT 3	I	Function set up terminal 3. (CHG • ON / OFF.....H : ON)
56	SELECT 4	I	Function set up terminal 4. (Specification of NFP.....H : 2 Pre-Out)
57	PWR ON	O	AUDIO and KEY lighting power control signal output terminal.
58	NOSE POWER (NC)	—	No connect terminal.
59	PWR IC (NC)		
60	RESET	I	SYSTEM RESET signal input terminal.
61	REMOCON	I	REMOTE CONTROL data signal input terminal.
62	B-HOLD	I	BATT detect signal input terminal.
63	A-HOLD	I	ACC detect signal input terminal.
64	BUS IN	I	MINI BUS DATA signal input terminal.
65	BUS OUT (NC)	—	No connect terminal.
66	SW B	I	EJECT END detect signal input terminal. (8cm DISC)
67	SW A	I	DISC insert detect signal input terminal.
68	VDD	—	VDD connect terminal.
69	X2 (4.9152MHz)	—	System clock OSC circuit output terminal.
70	X1 (4.9152MHz)	—	System clock OSC circuit input terminal.
71	GND	—	GND connect terminal.
72	XT2 (NC)	—	No connect terminal.
73	XT1 (PULL-DOWN)	—	Pull-down connect terminal.
74	AVDD	—	Analog power input terminal of A/D, D/A converter. (VDD connect)
75	AV _{ref0}	—	Reference voltage input terminal of A/D converter.
76	M/P	I	Multi Path rejection input terminal.
77	NC	—	No connect terminal.
78	S-METER	I	SIGNAL METER signal input terminal.
79	T-SENS	I	Temperature sensor signal input terminal.
80	NOSE-ON	I	FRONT PANEL detect signal input terminal.

Electrical Parts List

Capacitor : μ F=microfarads,pF=picofarads

Abbreviations		
RES. = Resistor	CAP. = Capacitor	
C.F. = Carbon Film	ELY. = Electrolytic	
M.F. = Metal Film	CER. = Ceramic	
M.O. = Metal Oxide Film	MYL. = Mylar	
M.P. = Metal Plate	TAN. = Tantalum	
TR. = Transistor	POLY. = Polystyrol	
TRANS. = Transformer	PP. = Polypropylene	
CP. = Chip	PLT. = Polyethylene	
	PF. = Polyester Film	
Symbol No.	Part No.	Description
Main P.W. Board		
IC's		
IC001	51T40941U03	IC ,MC14066BFL1-SP10
IC002	51T15605Y01	NJM2130F-TE1 -CP
IC003	51T93333F01	NJM2904M-TE3 -SE2
IC004	51T15132Y02	SAA6588T -SE9
IC005	51T85265W02	LC72191JM -SE9
IC201	51T15420Y01	BA4560F-E2 -SE2
IC202	51T65131W01	TEA6320T -SEE
IC301	51T25217Y01	TDA8571J -ZS
IC601	51T35097Y01	IC, D78058FGC-A78 -QT
IC701	51T75191W05	AN7707F +
IC801	51T95563W01	S-80744HL-T1 -NE2
IC802	51T95014F13	S-8052HNM-CR-T1 -SE2
Transistors		
0001	48T64222F02	TR ,UN2212 22-22 -TX
0002	48T64222F02	TR ,UN2212 22-22 -TX
0003	48T64221F02	TR ,UN2112 22-22 -TX
0004	48T25462Y01	TR,UN2124-TX -CP
0005	48T64222F02	TR ,UN2212 22-22 -TX
0007	48T45594W08	TR ,XN1212 -TX-CP
0008	48T45594W12	TR ,XN1A312 -TX-CP
0009	48T64222F02	TR ,UN2212 22-22 -TX
0011	48T45594W16	TR, XN1A311-TX -CP
Q201	48T64222F10	TR ,UN2210 47 -TX
Q202	48T64222F10	TR ,UN2210 47 -TX
Q203	48T25317Y01	TR, XN0F256-TX -CP
Q691	48T45594W12	TR ,XN1A312 -TX-CP
Q692	48T45594W12	TR ,XN1A312 -TX-CP
Q701	48T84366F01	TR, 2SB1243-PQR-V2-RD
Q702	48T64222F11	TR, UN221F-TX -CP
Q801	48T93828F01	TR, 2SD1994A-QRS-A-RD
Q802	48T93828F01	TR, 2SD1994A-QRS-A-RD
Q803	48T84366F01	TR, 2SB1243-PQR-V2-RD

Symbol No.	Part No.	Description
Q804	48T64222F11	TR, UN221F-TX -CP
Q805	48T45594W12	TR ,XN1A312 -TX-CP
Q806	48T64221F11	TR, UN211L-TX -CP
Q807	48T93828F01	TR, 2SD1994A-QRS-A-RD
Q808	48T45594W12	TR ,XN1A312 -TX-CP
Q809	48T64222F02	TR ,UN2212 22-22 -TX
Q810	48T63420F01	TR, 2SA1037AK-146 -CP
Q811	48T64222F02	TR ,UN2212 22-22 -TX
Q812	48T84366F01	TR, 2SB1243-PQR-V2-RD
Q813	48T64222F12	TR, UN221L-TX -CP
Q814	48T93828F01	TR, 2SD1994A-QRS-A-RD
Q815	48T45594W16	TR, XN1A311-TX -CP
Diodes		
D001	48T63462F01	D10, CP, DAN202K -96
D002	48T68828F01	D10, 1SS133 -A5
D801	48T68828F01	D10, 1SS133 -A5
D802	48T63462F01	D10, CP, DAN202K -96
D803	48T68828F01	D10, 1SS133 -A5
D804	48T68828F01	D10, 1SS133 -A5
D805	48T63462F01	D10, CP, DAN202K -96
D806	48T85357W01	D10, 1PS226 -CP
D807	48T15658Y01	D10, 1A4 -A5
SD801	48T68580F03	D10, SI DSA3A4-F5
ZD801	48T25766W26	D10, ZEN. HZS 9C3L -R5
ZD802	48T83128F04	D10, ZEN. HZS 6B1L -A5
ZD803	48T25766W14	D10, ZEN. HZS 7B2L -R5
ZD804	48T83128F25	D10, ZEN. HZS 9C1L -A5
ZD805	48T90517F20	D10, ZEN. HZS4. 7NB1-A5
Coils		
L001	24T25508Y01	IND, LAN02 4R7J -A5
L002	24T16403W29	COI, IND. 15R-M -CP
L005	24T65110W24	IND, LK2125 4R7K -CP
L006	24T65110W04	IND, LK2125 R10K -CP
L601	24T65110W16	IND, LK2125 1R0K -CP
L801	25T00988K01	CHOKE, SA10HA-400H +
L802	24T65110W24	IND, LK2125 4R7K -CP
Crystals		
XL001	91T85169W18	XTL, HC-49 4. 332M -R5

CDE-7855RB/CDE-7854RM/CDE-7854R

Symbol No.	Part No.	Description
XL002	91T85169W43	XTL, HC-49 7.200 -R5
XL601	91T85169W27	XTL, HC-49 4.9152 -R5
Filter		
CF001	91T75257W02	LPF, LPF11830KH-3C-DB
Surge Protector		
SA001	48T81909F01	PTT, DSP-201M -A1
Switch		
SW801	40T55182W06	SW, TACT SKHVLK -R5 (RESET)
Capacitors		
C003	08T15399W01	CAP, CER. 223K-B1H -CP
C004	08S65128F68	CAP, CER. 822K-B1H -CP
C005	08T15399W01	CAP, CER. 223K-B1H -CP
C006	08T15399W01	CAP, CER. 223K-B1H -CP
C007	08S65128F69	CAP, CER. 103K-B1H -CP
C011	08S82122F61	CAP, CER. 102J-CH1H-CP
C012	08S82122F43	CAP, CER. 181J-CH1H-CP
C013	08T15399W01	CAP, CER. 223K-B1H -CP
C014	08T15399W01	CAP, CER. 223K-B1H -CP
C015	08T55390W29	CAP, TF 104J-1H -R5
C016	08S65128F69	CAP, CER. 103K-B1H -CP
C017	08S65128F69	CAP, CER. 103K-B1H -CP
C019	08T55390W25	CAP, TF 473J-1H -R5
C020	08S72783F29	CAP, CER 331J-CH1H-CP
C021	08S53332F39	CAP, CP .222-K-B -CP
C022	08S82122F55	CAP, CER. 561J-CH1H-CP
C023	08S35374W01	CAP, CER 104K-B1E-CP
C024	08S82122F25	CAP, CER. 33RJ-CH1H-CP
C025	08S82122F23	CAP, CER. 27RJ-CH1H-CP
C026	08S82122F37	CAP, CER. 101J-CH1H-CP
C027	08S82122F37	CAP, CER. 101J-CH1H-CP
C028	08S35374W01	CAP, CER 104K-B1E-CP
C029	08T15399W01	CAP, CER. 223K-B1H -CP
C031	08S35374W01	CAP, CER 104K-B1E-CP
C032	08S82122F37	CAP, CER. 101J-CH1H-CP
C033	08S82122F61	CAP, CER. 102J-CH1H-CP
C034	08S65480F49	CAP, CER. 102-K-B -A5
C035	08T15399W01	CAP, CER. 223K-B1H -CP

Symbol No.	Part No.	Description
C036	08S82122F37	CAP, CER. 101J-CH1H-CP
C037	08S82122F19	CAP, CER. 18RJ-CH1H-CP
C038	08S82122F19	CAP, CER. 18RJ-CH1H-CP
C039	08S82122F61	CAP, CER. 102J-CH1H-CP
C040	08S82122F61	CAP, CER. 102J-CH1H-CP
C042	08S72783F23	CAP, CP .101-J-CH
C044	08T15399W01	CAP, CER. 223K-B1H -CP
C201	08T15399W02	CAP, CER. 333K-B1H -CP
C202	08S65128F69	CAP, CER. 103K-B1H -CP
C203	08S65128F66	CAP, CER. 562K-B1H -CP
C204	08T15399W02	CAP, CER. 333K-B1H -CP
C205	08S65128F66	CAP, CER. 562K-B1H -CP
C206	08S82122F25	CAP, CER. 33RJ-CH1H-CP
C207	08S82122F25	CAP, CER. 33RJ-CH1H-CP
C309	08S82122F37	CAP, CER. 101J-CH1H-CP
C602	08S82122F43	CAP, CER. 181J-CH1H-CP
C605	08S82122F43	CAP, CER. 181J-CH1H-CP
C607	08S82122F19	CAP, CER. 18RJ-CH1H-CP
C608	08S82122F19	CAP, CER. 18RJ-CH1H-CP
C610	08S82122F43	CAP, CER. 181J-CH1H-CP
C611	08T15399W02	CAP, CER. 333K-B1H -CP
C701	08T15399W01	CAP, CER. 223K-B1H -CP
C702	08T15399W01	CAP, CER. 223K-B1H -CP
C703	08S82122F61	CAP, CER. 102J-CH1H-CP
C800	08T15399W01	CAP, CER. 223K-B1H -CP
C801	08S65128F61	CAP, CER. 222K-B1H -CP
C802	08T15399W03	CAP, CER. 473K-B1H -CP
C803	08T55390W29	CAP, TF 104J-1H -R5
C804	08T15399W02	CAP, CER. 333K-B1H -CP
C805	08T15399W01	CAP, CER. 223K-B1H -CP
C806	08T15399W01	CAP, CER. 223K-B1H -CP
C807	08T95420W07	CAP, CER 102K-R2J -CP
C809	08T95420W07	CAP, CER 102K-R2J -CP
C810	08T95420W07	CAP, CER 102K-R2J -CP
C811	08T95420W07	CAP, CER 102K-R2J -CP
E001	23S75373W08	CAP, ELY R10-1H -R2
E002	23S75373W02	CAP, ELY 10R-1C -R2
E003	23S75373W09	CAP, ELY R22-1H -R2
E004	23S75373W06	CAP, ELY 101-1C -R2
E005	23S75373W06	CAP, ELY 101-1C -R2
E006	23S82372F19	CAP, ELY. 2R2-1H-BP-R2
E007	23S75373W14	CAP, ELY 2R2-1H -R2
E010	23S75373W03	CAP, ELY 22R-1C -R2
E201	23S75373W03	CAP, ELY 22R-1C -R2
E202	23S75373W12	CAP, ELY R68-1H -R2
E203	23S75373W03	CAP, ELY 22R-1C -R2
E204	23S75373W12	CAP, ELY R68-1H -R2
E205	23S75372W02	CAP, ELY 101-1A -R2
E206	23S75372W07	CAP, ELY 47R-1C -R2

CDE-7855RB/CDE-7854RM/CDE-7854R

Symbol No.	Part No.	Description
E207	23S75373W07	CAP, ELY 4R7-1V -R2
E208	23S75373W11	CAP, ELY R47-1H -R2
E209	23S75373W12	CAP, ELY R68-1H -R2
E211	23S75373W12	CAP, ELY R68-1H -R2
E212	23S75373W11	CAP, ELY R47-1H -R2
E213	23S75373W07	CAP, ELY 4R7-1V -R2
E214	23S75373W02	CAP, ELY 10R-1C -R2
E215	23S75373W02	CAP, ELY 10R-1C -R2
E301	23T95115W01	CAP, AD R33-1H -R2
E302	23T95115W01	CAP, AD R33-1H -R2
E303	23T95115W01	CAP, AD R33-1H -R2
E304	23T95115W01	CAP, AD R33-1H -R2
E601	23S75372W03	CAP, ELY 221-1A -H2
E691	23S75373W03	CAP, ELY 22R-1C -R2
E701	23T55378W03	CAP, KMG 471-1A -R2
E702	23S75373W04	CAP, ELY 33R-1C -R2
E801	23S75373W04	CAP, ELY 33R-1C -R2
E802	23S75373W04	CAP, ELY 33R-1C -R2
E803	23S75373W02	CAP, ELY 10R-1C -R2
E804	23S75373W08	CAP, ELY R10-1H -R2
E805	23S75372W02	CAP, ELY 101-1A -R2
E806	23S75373W04	CAP, ELY 33R-1C -R2
E807	23S75373W02	CAP, ELY 10R-1C -R2
E808	23T75346W03	CAP, X-PRO 332-1C +
E809	23S75373W02	CAP, ELY 10R-1C -R2
R814	08T95420W07	CAP, CER 102K-R2J -CP

Resistors

C808	06S70072F69	RES, CP .472-J-1/4-CP
J003	06S53331F39	RES, CP .JUMPER1/8-CP
J005	06S70072F82	RES, CP .3R3-J-1/4-CP
J009	06S53331F39	RES, CP .JUMPER1/8-CP
J021	06S53331F39	RES, CP .JUMPER1/8-CP
J022	06S53331F39	RES, CP .JUMPER1/8-CP
J032	06S53331F39	RES, CP .JUMPER1/8-CP
J039	06S64996F39	RES, RK JUMPER 1/8-CP
J043	06S53331F39	RES, CP .JUMPER1/8-CP
J044	06S53331F39	RES, CP .JUMPER1/8-CP
J045	06S53331F39	RES, CP .JUMPER1/8-CP
J046	06S64996F39	RES, RK JUMPER 1/8-CP
J047	06S53331F39	RES, CP .JUMPER1/8-CP
J048	06S53331F39	RES, CP .JUMPER1/8-CP
J049	06S53331F39	RES, CP .JUMPER1/8-CP
J055	06S53331F39	RES, CP .JUMPER1/8-CP
J056	06S53331F39	RES, CP .JUMPER1/8-CP
J057	06S53331F39	RES, CP .JUMPER1/8-CP
J059	06S53331F39	RES, CP .JUMPER1/8-CP

Symbol No.	Part No.	Description
J061	06S64996F39	RES, RK JUMPER 1/8-CP
J062	06S64996F39	RES, RK JUMPER 1/8-CP
J070	06S64996F39	RES, RK JUMPER 1/8-CP
J075	06S53331F39	RES, CP .JUMPER1/8-CP
J077	06S64996F39	RES, RK JUMPER 1/8-CP
J078	06S53331F39	RES, CP .JUMPER1/8-CP
J080	06S53331F39	RES, CP .JUMPER1/8-CP
J081	06S53331F39	RES, CP .JUMPER1/8-CP
J082	06S53331F39	RES, CP .JUMPER1/8-CP
J083	06S53331F39	RES, CP .JUMPER1/8-CP
J102	06S53331F39	RES, CP .JUMPER1/8-CP
J104	06S53331F39	RES, CP .JUMPER1/8-CP
J107	06S64996F39	RES, RK JUMPER 1/8-CP
J109	06S64996F39	RES, RK JUMPER 1/8-CP
J111	06S53331F39	RES, CP .JUMPER1/8-CP
J118	06S53331F39	RES, CP .JUMPER1/8-CP
J121	06S53331F39	RES, CP .JUMPER1/8-CP
J126	06S53331F39	RES, CP .JUMPER1/8-CP
J127	06S53331F39	RES, CP .JUMPER1/8-CP
J128	06S53331F39	RES, CP .JUMPER1/8-CP
J139	06S53331F39	RES, CP .JUMPER1/8-CP
J140	06S64996F39	RES, RK JUMPER 1/8-CP
J147	06S64996F39	RES, RK JUMPER 1/8-CP
J150	06S64996F39	RES, RK JUMPER 1/8-CP
J160	06S53331F39	RES, CP .JUMPER1/8-CP
J166	06S64996F39	RES, RK JUMPER 1/8-CP
J167	06S64996F39	RES, RK JUMPER 1/8-CP
J169	06S64996F39	RES, RK JUMPER 1/8-CP
J170	06S53331F39	RES, CP .JUMPER1/8-CP
J171	06S53331F39	RES, CP .JUMPER1/8-CP
J172	06S53331F39	RES, CP .JUMPER1/8-CP
J173	06S64996F39	RES, RK JUMPER 1/8-CP
J174	06S53331F39	RES, CP .JUMPER1/8-CP
J180	06S53331F39	RES, CP .JUMPER1/8-CP
J182	06S64996F39	RES, RK JUMPER 1/8-CP
J183	06S53331F39	RES, CP .JUMPER1/8-CP
J186	06S53331F39	RES, CP .JUMPER1/8-CP
J187	06S53331F39	RES, CP .JUMPER1/8-CP
J188	06S64996F39	RES, RK JUMPER 1/8-CP
J190	06S53331F39	RES, CP .JUMPER1/8-CP
J192	06S64996F39	RES, RK JUMPER 1/8-CP
J194	06S64996F39	RES, RK JUMPER 1/8-CP
J197	06S53331F39	RES, CP .JUMPER1/8-CP
J198	06S53331F39	RES, CP .JUMPER1/8-CP
J199	06S53331F39	RES, CP .JUMPER1/8-CP
J200	06S53331F39	RES, CP .JUMPER1/8-CP
J201	06S53331F39	RES, CP .JUMPER1/8-CP
J202	06S53331F39	RES, CP .JUMPER1/8-CP
J203	06S53331F39	RES, CP .JUMPER1/8-CP

CDE-7855RB/CDE-7854RM/CDE-7854R

Symbol No.	Part No.	Description
L003	06S64996F39	RES, RK JUMPER 1/8-CP
L004	06S64996F39	RES, RK JUMPER 1/8-CP
L602	06S64996F39	RES, RK JUMPER 1/8-CP
R001	06T55065F65	RES, FC .102J-1/4 -A5
R002	06S64995F69	RES, RK 472J 1/8 -CP
R003	06S64995F91	RES, RK 393J 1/8 -CP
R004	06S64995F94	RES, RK 513J 1/8 -CP
R005	06S64995F90	RES, RK 363J 1/8 -CP
R006	06S53330F77	RES, CP .103-J-1/8-CP
R007	06S64995F81	RES, RK 153J 1/8 -CP
R008	06S64995F69	RES, RK 472J 1/8 -CP
R009	06S64995F77	RES, RK 103J 1/8 -CP
R010	06S64995F91	RES, RK 393J 1/8 -CP
R011	06S64995F64	RES, RK 302J 1/8 -CP
R012	06S64996F39	RES, RK JUMPER 1/8-CP
R013	06S64996F39	RES, RK JUMPER 1/8-CP
R016	06S53330F53	RES, CP .102-J-1/8-CP
R019	06S70072F98	RES, RK 223J 1/4 -CP
R020	06S64995F93	RES, RK 473J 1/8 -CP
R021	06S64995F53	RES, RK 102J 1/8 -CP
R022	06S70072F17	RES, CP .33R-J-1/4-CP
R023	06S70072F98	RES, RK 223J 1/4 -CP
R024	06S70072F69	RES, CP .472-J-1/4-CP
R025	06S64995F53	RES, RK 102J 1/8 -CP
R026	06T55065F41	RES, FC .101J-1/4 -A5
R027	06T55065F97	RES, FC .223J-1/4 -A5
R028	06S64995F85	RES, RK 223J 1/8 -CP
R029	06S64995F61	RES, RK 222J 1/8 -CP
R030	06S53330F53	RES, CP .102-J-1/8-CP
R031	06S64995F53	RES, RK 102J 1/8 -CP
R032	06S64996F39	RES, RK JUMPER 1/8-CP
R033	06S64995F61	RES, RK 222J 1/8 -CP
R035	06S64995F77	RES, RK 103J 1/8 -CP
R036	06S64995F05	RES, RK 10RJ 1/8 -CP
R037	06S70072F01	RES, CP .4R7-J-1/4-CP
R038	06S64995F53	RES, RK 102J 1/8 -CP
R039	06T55065F65	RES, FC .102J-1/4 -A5
R040	06S64995F39	RES, RK 271J 1/8 -CP
R041	06S64995F39	RES, RK 271J 1/8 -CP
R043	06S64995F61	RES, RK 222J 1/8 -CP
R044	06S64996F18	RES, RK 474J 1/8 -CP
R045	06S64996F39	RES, RK JUMPER 1/8-CP
R048	06S53330F77	RES, CP .103-J-1/8-CP
R049	06S64995F77	RES, RK 103J 1/8 -CP
R050	06S64995F77	RES, RK 103J 1/8 -CP
R051	06S64995F53	RES, RK 102J 1/8 -CP
R052	06S64995F77	RES, RK 103J 1/8 -CP
R201	06S64995F85	RES, RK 223J 1/8 -CP
R202	06T55065F83	RES, FC .562J-1/4 -A5

Symbol No.	Part No.	Description
R203	06S64995F71	RES, RK 562J 1/8 -CP
R204	06S64995F85	RES, RK 223J 1/8 -CP
R205	06S64995F94	RES, RK 513J 1/8 -CP
R206	06S64995F94	RES, RK 513J 1/8 -CP
R207	06S64995F53	RES, RK 102J 1/8 -CP
R208	06S64995F53	RES, RK 102J 1/8 -CP
R209	06S64995F33	RES, RK 151J 1/8 -CP
R210	06S64995F29	RES, RK 101J 1/8 -CP
R211	06S64995F85	RES, RK 223J 1/8 -CP
R212	06S64995F85	RES, RK 223J 1/8 -CP
R213	06S64995F29	RES, RK 101J 1/8 -CP
R214	06S64995F33	RES, RK 151J 1/8 -CP
R215	06S64995F69	RES, RK 472J 1/8 -CP
R216	06S64995F69	RES, RK 472J 1/8 -CP
R217	06S64995F69	RES, RK 472J 1/8 -CP
R218	06S64995F69	RES, RK 472J 1/8 -CP
R305	06S64995F79	RES, RK 123J 1/8 -CP
R306	06S64995F79	RES, RK 123J 1/8 -CP
R307	06S64995F79	RES, RK 123J 1/8 -CP
R308	06S64995F79	RES, RK 123J 1/8 -CP
R309	06S64995F79	RES, RK 123J 1/8 -CP
R310	06S64995F79	RES, RK 123J 1/8 -CP
R311	06S64995F79	RES, RK 123J 1/8 -CP
R312	06S64995F79	RES, RK 123J 1/8 -CP
R601	06S64995F53	RES, RK 102J 1/8 -CP
R602	06S64995F53	RES, RK 102J 1/8 -CP
R603	06S64995F53	RES, RK 102J 1/8 -CP
R604	06S64995F53	RES, RK 102J 1/8 -CP
R605	06S64995F53	RES, RK 102J 1/8 -CP
R607	06S70072F71	RES, CP .562-J-1/4-CP
R608	06S70072F71	RES, CP .562-J-1/4-CP
R611	06S64995F85	RES, RK 223J 1/8 -CP
R612	06S64995F85	RES, RK 223J 1/8 -CP
R613	06S64995F93	RES, RK 473J 1/8 -CP
R614	06S64996F02	RES, RK 104J 1/8 -CP
R615	06S64995F85	RES, RK 223J 1/8 -CP
R616	06S64995F85	RES, RK 223J 1/8 -CP
R617	06S64996F39	RES, RK JUMPER 1/8-CP
R618	06S64996F02	RES, RK 104J 1/8 -CP
R619	06S64995F61	RES, RK 222J 1/8 -CP
R620	06S64995F85	RES, RK 223J 1/8 -CP
R621	06S64995F77	RES, RK 103J 1/8 -CP
R622	06S70072F77	RES, CP .103-J-1/4-CP
R623	06S70072F77	RES, CP .103-J-1/4-CP
R624	06S70072F07	RES, CP .12R-J-1/4-CP
R625	06S70072F07	RES, CP .12R-J-1/4-CP
R626	06S70072F82	RES, CP .3R3-J-1/4-CP
R627	06S70072F07	RES, CP .12R-J-1/4-CP
R628	06S70072F07	RES, CP .12R-J-1/4-CP

CDE-7855RB/CDE-7854RM/CDE-7854R

Symbol No.	Part No.	Description
R629	06S64995F53	RES, RK 102J 1/8 -CP
R630	06S64995F53	RES, RK 102J 1/8 -CP
R631	06S64995F85	RES, RK 223J 1/8 -CP
R632	06S64995F85	RES, RK 223J 1/8 -CP
R634	06S64995F85	RES, RK 223J 1/8 -CP
R636	06S64995F85	RES, RK 223J 1/8 -CP
R637	06S64996F18	RES, RK 474J 1/8 -CP
R638	06S64995F53	RES, RK 102J 1/8 -CP
R639	06S64995F53	RES, RK 102J 1/8 -CP
R640	06S64995F53	RES, RK 102J 1/8 -CP
R641	06S64995F53	RES, RK 102J 1/8 -CP
R642	06S64995F77	RES, RK 103J 1/8 -CP
R643	06S64995F53	RES, RK 102J 1/8 -CP
R644	06S64995F53	RES, RK 102J 1/8 -CP
R691	06S64996F39	RES, RK JUMPER 1/8-CP
R692	06S64995F85	RES, RK 223J 1/8 -CP
R693	06S64995F85	RES, RK 223J 1/8 -CP
R694	06S64995F85	RES, RK 223J 1/8 -CP
R695	06S64995F85	RES, RK 223J 1/8 -CP
R696	06S64995F85	RES, RK 223J 1/8 -CP
R697	06S64995F85	RES, RK 223J 1/8 -CP
R698	06S64995F85	RES, RK 223J 1/8 -CP
R699	06S64995F93	RES, RK 473J 1/8 -CP
R701	06S70072F59	RES, CP .182-J-1/4-CP
R702	06S70072F59	RES, CP .182-J-1/4-CP
R703	06S70072F59	RES, CP .182-J-1/4-CP
R704	06S70072F59	RES, CP .182-J-1/4-CP
R705	06T75433W82	RES, RK 243J 1/4 -CP
R801	06S70072F45	RES, CP .471-J-1/4-CP
R802	06S70072F69	RES, CP .472-J-1/4-CP
R803	06T75433W82	RES, RK 243J 1/4 -CP
R804	06S70072F59	RES, CP .182-J-1/4-CP
R805	06S70072F59	RES, CP .182-J-1/4-CP
R806	06S70072F59	RES, CP .182-J-1/4-CP
R807	06S70072F59	RES, CP .182-J-1/4-CP
R808	06S64996F02	RES, RK 104J 1/8 -CP
R809	06S64995F93	RES, RK 473J 1/8 -CP
R810	06S64995F63	RES, RK 272J 1/8 -CP
R811	06S64995F69	RES, RK 472J 1/8 -CP
R812	06S64995F85	RES, RK 223J 1/8 -CP
R813	06S70072F69	RES, CP .472-J-1/4-CP
R815	06S70072F50	RES, CP .751-J-1/4-CP
R816	06S70072F65	RES, CP .332-J-1/4-CP
R817	06S53330F77	RES, CP .103-J-1/8-CP
R818	06S70072F61	RES, CP .222-J-1/4-CP
R819	06T75433W82	RES, RK 243J 1/4 -CP
R820	06S70072F04	RES, CP .8R2-J-1/4-CP
R821	06S70072F04	RES, CP .8R2-J-1/4-CP
R822	06S70072F04	RES, CP .8R2-J-1/4-CP

Symbol No.	Part No.	Description
R823	06S70072F04	RES, CP .8R2-J-1/4-CP
R824	06S64995F77	RES, RK 103J 1/8 -CP
R825	06T75433W82	RES, RK 243J 1/4 -CP
R826	06S70072F59	RES, CP .182-J-1/4-CP
R827	06S70072F59	RES, CP .182-J-1/4-CP
R828	06S70072F77	RES, CP .103-J-1/4-CP
R829	06S70072F77	RES, CP .103-J-1/4-CP
R830	06S70072F78	RES, CP .2R2-J-1/4-CP
R831	06S70072F78	RES, CP .2R2-J-1/4-CP
R832	06S70072F37	RES, CP .221-J-1/4-CP
Connector		
CH001	09T75559W78	BTB, TKC-W28P-B1 -DS
Front P.W. Board		
IC		
IC401	51T15186Y01	LC75823W -QT
Transistors		
Q401	48T64222F03	TR ,UN2213 47-47 -TX
Q402	48T64222F02	TR ,UN2212 22-22 -TX
Q403	48T64222F03	TR ,UN2213 47-47 -TX
Diodes		
D402	48T85357W01	D10, 1PS226 -CP
D403	48T85357W01	D10, 1PS226 -CP
D404	48T85357W01	D10, 1PS226 -CP
LED' s		
○ LD401	48T25534Y03	LED, AMB AA1111C -CP
△ LD401	48T25534Y02	LED, RED BR1111C -CP
□ LD401	48T25534Y03	LED, AMB AA1111C -CP
○ LD402	48T35154Y03	LED, BLU EB3804X -R2
△ LD402	48T35154Y05	LED, AMB AA3874X -R2
□ LD402	48T35154Y04	LED, GRN BG3874X -R2
○ LD403	48T35154Y03	LED, BLU EB3804X -R2
△ LD403	48T35154Y05	LED, AMB AA3874X -R2
□ LD403	48T35615Y01	LED, GRN BG-S180K -R2

NOTE : ○ : For CDE-7855RB Model Only,
 □ : For CDE-7854R Model Only,

△ : For CDE-7854RM Model Only,
 Others : Common.

CDE-7855RB/CDE-7854RM/CDE-7854R

Symbol No.	Part No.	Description
○ LD404	48T35154Y03	LED, BLU EB3804X -R2
△ LD404	48T35154Y05	LED, AMB AA3874X -R2
□ LD404	48T35615Y01	LED, GRN BG-S180K -R2
○ LD405	48T35154Y03	LED, BLU EB3804X -R2
△ LD405	48T35154Y05	LED, AMB AA3874X -R2
□ LD405	48T35154Y01	LED, GRN BG3864X -R2
○ LD406	48T25685Y01	LED, BLU EB1102WTR-CP
△ LD406	48T84017F05	LED, AMB AA1102WTR-CP
□ LD406	48T35118Y01	LED, GRN RBG1102W -CP
○ LD407	48T35154Y03	LED, BLU EB3804X -R2
△ LD407	48T35154Y05	LED, AMB AA3874X -R2
□ LD407	48T35154Y01	LED, GRN BG3864X -R2
○ LD408	48T35154Y03	LED, BLU EB3804X -R2
△ LD408	48T35154Y05	LED, AMB AA3874X -R2
□ LD408	48T35154Y01	LED, GRN BG3864X -R2
○ LD409	48T35154Y03	LED, BLU EB3804X -R2
△ LD409	48T35154Y05	LED, AMB AA3874X -R2
□ LD409	48T35154Y04	LED, GRN BG3874X -R2
○ LD410	48T35154Y03	LED, BLU EB3804X -R2
△ LD410	48T35154Y05	LED, AMB AA3874X -R2
□ LD410	48T35154Y01	LED, GRN BG3864X -R2
○ LD411	48T35154Y03	LED, BLU EB3804X -R2
△ LD411	48T35154Y05	LED, AMB AA3874X -R2
□ LD411	48T35615Y01	LED, GRN BG-S180K-R2
○ LD412	48T84017F05	LED, AMB AA1102WTR-CP
△ LD412	48T90476F02	LED, CP BR1102W -E1 (RED)
□ LD412	48T84017F05	LED, AMB AA1102WTR-CP
○ LD413	48T35154Y03	LED, BLU EB3804X -R2
△ LD413	48T35154Y05	LED, AMB AA3874X -R2
□ LD413	48T35154Y04	LED, GRN BG3874X -R2
○ LD414	48T25534Y01	LED, GRN BG1111C -CP
△ LD414	48T25534Y03	LED, AMB AA1111C -CP
□ LD414	48T25534Y01	LED, GRN BG1111C -CP
○ LD415	48T35154Y03	LED, BLU EB3804X -R2
△ LD415	48T35154Y05	LED, AMB AA3874X -R2
□ LD415	48T35154Y01	LED, GRN BG3864X -R2
Switches		
SW401	40T75234W01	SW, TACT SKQAC -H5(PWR/INTLZ)
SW402	40T75234W01	SW, TACT SKQAC -H5(UP)
SW403	40T75234W01	SW, TACT SKQAC -H5(MODE/LOUD)
SW404	40T75234W01	SW, TACT SKQAC -H5(DOWN)
SW405	40T75234W01	SW, TACT SKQAC -H5(SOURCE)
SW406	40T75234W01	SW, TACT SKQAC -H5(BAND)
SW407	40T75234W01	SW, TACT SKQAC -H5 (TUNE/A.ME/PLAY/PAUSE)
SW408	40T75234W01	SW, TACT SKQAC -H5(DN/BWD)

Symbol No.	Part No.	Description
SW409	40T75234W01	SW, TACT SKQAC -H5(FWD/UP)
SW410	40T55656W06	SW, TACT SKOMAJ001-E2(EJECT)
SW411	40T55656W06	SW, TACT SKOMAJ001-E2(F)
SW412	40T75234W01	SW, TACT SKQAC -H5(T. INFO/PTY)
SW413	40T75234W01	SW, TACT SKQAC -H5(3/MONO)
SW414	40T75234W01	SW, TACT SKQAC -H5(2/NEWS)
SW415	40T75234W01	SW, TACT SKQAC -H5(1/AF)
SW416	40T75234W01	SW, TACT SKQAC -H5(6/SCAN)
SW417	40T75234W01	SW, TACT SKQAC -H5(5/RPT)
SW418	40T75234W01	SW, TACT SKQAC -H5(4/M. I.X.)
Lamps		
○ PL401	65T85125W10	LAMP, BLU 9-100 -R2
△ PL401	65T85125W09	LAMP, ORG 9-100 -R2
□ PL401	65T85125W07	LAMP, GRN 9-100 -R2
Capacitors		
C401	08T15399W01	CAP, CER. 223K-B1H -CP
C402	08S82122F57	CAP, CER. 681J-CH1H-CP
E401	23S55311W22	CAP, TAN. 4R7-1A-A -CP
Resistors		
R401	06T15443W56	RES, RK 132F 1/10 -CP
R402	06T15443W59	RES, RK 182F 1/10 -CP
R403	06T15443W61	RES, RK 222F 1/10 -CP
R404	06T15443W65	RES, RK 332F 1/10 -CP
R405	06T15443W68	RES, RK 432F 1/10-CP
R406	06T15443W74	RES, RK 752F 1/10 -CP
R407	06T15443W81	RES, RK 153F 1/10 -CP
R408	06T15443W91	RES, RK 393F 1/10 -CP
R409	06T15443W56	RES, RK 132F 1/10 -CP
R410	06T15443W59	RES, RK 182F 1/10 -CP
R411	06T15443W61	RES, RK 222F 1/10 -CP
R412	06T15443W65	RES, RK 332F 1/10 -CP
R413	06T15443W68	RES, RK 432F 1/10-CP
R414	06T15443W74	RES, RK 752F 1/10 -CP
R415	06T15443W81	RES, RK 153F 1/10 -CP
R416	06T15443W91	RES, RK 393F 1/10 -CP
R418	06S64995F77	RES, RK 103J 1/8 -CP
R420	06S64995F77	RES, RK 103J 1/8 -CP
R421	06S64995F77	RES, RK 103J 1/8 -CP
R422	06S64995F77	RES, RK 103J 1/8 -CP
R423	06S64995F53	RES, RK 102J 1/8 -CP
○ R424	06S95434W73	RES, RK 102J 1/4 -CP

NOTE : ○ : For CDE-7855RB Model Only,
 □ : For CDE-7854R Model Only,

△ : For CDE-7854RM Model Only,
 Others : Common.

CDE-7855RB/CDE-7854RM/CDE-7854R

Symbol No.	Part No.	Description
△ R424	06S53331F39	RES, CP .JUMPER1/8-CP
□ R424	06S53331F39	RES, CP .JUMPER1/8-CP
○ R426	06S70072F49	RES, CP .681-J-1/4-CP
△ R426	06S70072F55	RES, CP .122-J-1/4-CP
□ R426	06S70072F49	RES, CP .681-J-1/4-CP
○ R427	06S95434W75	RES, RK 122J 1/4 -CP
△ R427	06S53331F39	RES, CP .JUMPER1/8-CP
□ R427	06S53331F39	RES, CP .JUMPER1/8-CP
○ R428	06S95434W75	RES, RK 122J 1/4 -CP
R429	06S70072F05	RES, CP .10R-J-1/4-CP
○ R430	06S53331F39	RES, CP .JUMPER1/8-CP
R434	06S64995F70	RES, RK 512J 1/8 -CP
R435	06S64995F77	RES, RK 103J 1/8 -CP
R436	06S64996F08	RES, RK 184J 1/8 -CP
R437	06S64996F08	RES, RK 184J 1/8 -CP
R438	06S64995F93	RES, RK 473J 1/8 -CP
R439	06S64995F53	RES, RK 102J 1/8 -CP
R440	06S64995F53	RES, RK 102J 1/8 -CP
R441	06S64995F53	RES, RK 102J 1/8 -CP
R442	06S64995F53	RES, RK 102J 1/8 -CP
○ R443	06S95434W60	RES, RK 301J 1/4 -CP
△ R443	06S53331F39	RES, CP .JUMPER1/8-CP
□ R443	06S70072F38	RES, CP .241-J-1/4-CP
○ R444	06S95434W61	RES, RK 331J 1/4 -CP
△ R444	06S95434W81	RES, RK 222J 1/4 -CP
□ R444	06S70072F38	RES, CP .241-J-1/4-CP
R445	06S64996F02	RES, RK 104J 1/8 -CP
R446	06S64995F79	RES, RK 123J 1/8 -CP
○ R447	06S95434W60	RES, RK 301J 1/4 -CP
△ R447	06S70072F38	RES, CP .241-J-1/4-CP
□ R447	06S70072F38	RES, CP .241-J-1/4-CP
○ R448	06S95434W60	RES, RK 301J 1/4 -CP
△ R448	06S95434W59	RES, RK 271J 1/4 -CP
□ R448	06S95434W59	RES, RK 271J 1/4 -CP
○ R449	06S53331F39	RES, CP .JUMPER1/8-CP
△ R449	06S95434W57	RES, RK 221J 1/4 -CP
□ R449	06S95434W51	RES, RK 121J 1/4 -CP
○ R450	06S95434W73	RES, RK 102J 1/4 -CP
○ R451	06S53331F39	RES, CP .JUMPER1/8-CP
○ R452	06S53331F39	RES, CP .JUMPER1/8-CP
△ R452	06S95434W54	RES, RK 161J 1/4 -CP
□ R452	06S95434W51	RES, RK 121J 1/4 -CP
○ R453	06S95434W75	RES, RK 122J 1/4 -CP
△ R453	06S53331F39	RES, CP .JUMPER1/8-CP
□ R453	06S53331F39	RES, CP .JUMPER1/8-CP
○ R454	06S53331F39	RES, CP .JUMPER1/8-CP
△ R454	06S95434W57	RES, RK 221J 1/4 -CP
□ R454	06S70072F37	RES, CP .221-J-1/4-CP
○ R455	06S95434W73	RES, RK 102J 1/4 -CP

Symbol No.	Part No.	Description
△ R455	06S53331F39	RES, CP .JUMPER1/8-CP
□ R455	06S53331F39	RES, CP .JUMPER1/8-CP
○ R456	06S95434W73	RES, RK 102J 1/4 -CP
△ R456	06S95434W70	RES, RK 751J 1/4 -CP
□ R456	06S95434W70	RES, RK 751J 1/4 -CP
○ R457	06S95434W73	RES, RK 102J 1/4 -CP
○ R458	06S95434W73	RES, RK 102J 1/4 -CP
DP-S Main P.W. Board		
IC's		
IC101	51T15053Y01	TC9462F -QT
IC102	51T15587Y01	TA2122FN-EL -SE6
IC103	51T85408W01	BA6791FP-E2 -SEA
IC104	51T16025W01	IC, NJM2100M-TE3-SE03
IC105	51T95014F13	S-8052HNM-CR-T1 -SE2
IC201	51T11054W02	NJM78L05UA-TE1 -NE2
IC203	51T16025W01	IC, NJM2100M-TE3-SE03
IC501	51T65209W02	BA6287F-E2 -SE2
Transistors		
Q101	48T80611F01	CP, 2SB1132-QR-101-E3
Q102	48T80611F01	CP, 2SB1132-QR-101-E3
Q103	48T94606F03	TR, DTC124EUA-T106-CP
Q105	48T94606F53	TR, DTA124EUA-T106-CP
Diodes		
D501	48T81063F01	D10, CP, MA159 / TX-CP
D502	48T63463F01	D10, CP, DAP202K -96
Crystal		
CL101	91T15469Y01	OSC, CER SSR16.93M-CP
Thermistor		
TH101	48T25250Y01	TMT, ERTJ1V104J -CP

NOTE : ○ : For CDE-7855RB Model Only,
 □ : For CDE-7854R Model Only,

△ : For CDE-7854RM Model Only,
 Others : Common.

CDE-7855RB/CDE-7854RM/CDE-7854R

Symbol No.	Part No.	Description
Capacitors		
C101	08S45677W28	CAP, CER 47RJ-CH1H-CP
C102	08S65128F71	CAP, CER. 153K-B1H -CP
C103	08S65128F69	CAP, CER. 103K-B1H -CP
C104	08S65128F62	CAP, CER. 272K-B1H -CP
C105	08S65128F69	CAP, CER. 103K-B1H -CP
C106	08T15399W02	CAP, CER. 333K-B1H -CP
C107	08S65128F67	CAP, CER. 682K-B1H -CP
C108	08S35374W01	CAP, CER 104K-B1E-CP
C109	08S35374W01	CAP, CER 104K-B1E-CP
C110	08S35374W01	CAP, CER 104K-B1E-CP
C111	08T15399W03	CAP, CER. 473K-B1H -CP
C112	08T15399W03	CAP, CER. 473K-B1H -CP
C113	08T15399W03	CAP, CER. 473K-B1H -CP
C114	08T15399W03	CAP, CER. 473K-B1H -CP
C115	08S35374W01	CAP, CER 104K-B1E-CP
C116	08S35374W01	CAP, CER 104K-B1E-CP
C117	08S35374W01	CAP, CER 104K-B1E-CP
C118	08S35374W01	CAP, CER 104K-B1E-CP
C119	08S35374W01	CAP, CER 104K-B1E-CP
C120	08S35374W01	CAP, CER 104K-B1E-CP
C121	08S35374W01	CAP, CER 104K-B1E-CP
C122	08T15399W01	CAP, CER. 223K-B1H -CP
C123	08S45677W22	CAP, CER. 27RJ-CH1H-CP
C124	08S45677W04	CAP, CER. 2R0C-CH1H-CP
C125	08S35374W01	CAP, CER 104K-B1E-CP
C126	08S65128F69	CAP, CER. 103K-B1H -CP
C127	08T15399W01	CAP, CER. 223K-B1H -CP
C128	08T15399W01	CAP, CER. 223K-B1H -CP
C129	08T15399W01	CAP, CER. 223K-B1H -CP
C130	08T65289W03	CAP, EMK 105K-BJ1C-CP
C131	08S35374W01	CAP, CER 104K-B1E-CP
C134	08S82122F39	CAP, CER. 121J-CH1H-CP
C135	08S82122F43	CAP, CER. 181J-CH1H-CP
C136	08S35374W01	CAP, CER 104K-B1E-CP
C145	08T15399W03	CAP, CER. 473K-B1H -CP
C148	08S35374W01	CAP, CER 104K-B1E-CP
C149	08S65128F68	CAP, CER. 822K-B1H -CP
C153	08S35374W01	CAP, CER 104K-B1E-CP
C201	08T15399W01	CAP, CER. 223K-B1H -CP
C204	08S82122F61	CAP, CER. 102J-CH1H-CP
C205	08S82122F61	CAP, CER. 102J-CH1H-CP
C501	08T15399W01	CAP, CER. 223K-B1H -CP
E101	23S55311W42	CAP, TAN. 4R7-1D-B -CP
E102	23S55311W23	CAP, TAN. 10R-1A-B -CP
E103	23S55311W42	CAP, TAN. 4R7-1D-B -CP
E104	23S55311W42	CAP, TAN. 4R7-1D-B -CP
E105	23S55311W23	CAP, TAN. 10R-1A-B -CP

Symbol No.	Part No.	Description
E106	23T85373W03	CAP, ECAR 47R-05-C-E5
E107	23S55311W23	CAP, TAN. 10R-1A-B -CP
E108	23T85373W05	CAP, ECAR 10R-1C-C-E5
E109	23T85373W05	CAP, ECAR 10R-1C-C-E5
E110	23S55311W42	CAP, TAN. 4R7-1D-B -CP
E117	23T85373W05	CAP, ECAR 10R-1C-C-E5
E201	23T85373W05	CAP, ECAR 10R-1C-C-E5
E202	23T85373W04	CAP, RA 22R-0J-B -E5
E203	23T85373W04	CAP, RA 22R-0J-B -E5
E206	23T85373W03	CAP, ECAR 47R-05-C-E5
E207	23T85373W05	CAP, ECAR 10R-1C-C-E5
E208	23T85373W05	CAP, ECAR 10R-1C-C-E5
E209	23T85373W04	CAP, RA 22R-0J-B -E5
E501	23T85373W05	CAP, ECAR 10R-1C-C-E5
Resistors		
R101	06T25277Y81	RES, RK 103J 1/16 -CP
R102	06T25277Y97	RES, RK 473J 1/16 -CP
R103	06T25278Y02	RES, RK 683J 1/16 -CP
R104	06T25278Y06	RES, RK 104J 1/16 -CP
R105	06T25279Y03	RES, RK 225J 1/16 -CP
R106	06T25277Y93	RES, RK 333J 1/16 -CP
R107	06T25277Y81	RES, RK 103J 1/16 -CP
R108	06T25277Y57	RES, RK 102J 1/16 -CP
R109	06T25277Y69	RES, RK 332J 1/16 -CP
R110	06T25277Y69	RES, RK 332J 1/16 -CP
R111	06T25277Y57	RES, RK 102J 1/16 -CP
R112	06T25277Y57	RES, RK 102J 1/16 -CP
R113	06T25277Y97	RES, RK 473J 1/16 -CP
R114	06T25277Y33	RES, RK 101J 1/16 -CP
R115	06T25277Y33	RES, RK 101J 1/16 -CP
R116	06T25277Y89	RES, RK 223J 1/16 -CP
R118	06T25277Y54	RES, RK 751J 1/16 -CP
R119	06T25277Y58	RES, RK 112J 1/16 -CP
R120	06T25277Y85	RES, RK 153J 1/16 -CP
R121	06T25277Y81	RES, RK 103J 1/16 -CP
R122	06T25277Y73	RES, RK 472J 1/16 -CP
R123	06T25277Y92	RES, RK 303J 1/16 -CP
R124	06T25277Y93	RES, RK 333J 1/16 -CP
R125	06T75433W01	RES, RK 10RJ 1/4 -CP
R126	06T25277Y93	RES, RK 333J 1/16 -CP
R127	06T25278Y16	RES, RK 274J 1/16 -CP
R128	06T25277Y92	RES, RK 303J 1/16 -CP
R129	06T25277Y92	RES, RK 303J 1/16 -CP
R130	06T25278Y16	RES, RK 274J 1/16 -CP
R131	06T25277Y93	RES, RK 333J 1/16 -CP
R134	06T25277Y73	RES, RK 472J 1/16 -CP

CDE-7855RB/CDE-7854RM/CDE-7854R

Symbol No.	Part No.	Description
R136	06T75433W01	RES, RK 10RJ 1/4 -CP
R137	06T25277Y96	RES, RK 433J 1/16 -CP
R138	06T25278Y05	RES, RK 913J 1/16 -CP
R139	06T25277Y87	RES, RK 183J 1/16 -CP
R140	06T25277Y80	RES, RK 912J 1/16 -CP
R142	06T25277Y88	RES, RK 203J 1/16 -CP
R143	06T25277Y96	RES, RK 433J 1/16 -CP
R144	06T25277Y80	RES, RK 912J 1/16 -CP
R145	06T25277Y88	RES, RK 203J 1/16 -CP
R151	06T25277Y89	RES, RK 223J 1/16 -CP
R152	06T25277Y89	RES, RK 223J 1/16 -CP
R153	06T25277Y89	RES, RK 223J 1/16 -CP
R154	06T25277Y89	RES, RK 223J 1/16 -CP
R155	06T25277Y89	RES, RK 223J 1/16 -CP
R156	06T25277Y89	RES, RK 223J 1/16 -CP
R157	06T25277Y59	RES, RK 122J 1/16 -CP
R211	06T75433W62	RES, RK 362J 1/4 -CP
R212	06T75433W62	RES, RK 362J 1/4 -CP
R213	06T75433W69	RES, RK 682J 1/4 -CP
R214	06T75433W69	RES, RK 682J 1/4 -CP
R215	06T75434W26	RES, RK JUMPER 1/4-CP
R216	06T75434W26	RES, RK JUMPER 1/4-CP
R217	06T75434W26	RES, RK JUMPER 1/4-CP
R218	06T75434W26	RES, RK JUMPER 1/4-CP
R221	06T75433W50	RES, RK 112J 1/4 -CP
R222	06T75433W50	RES, RK 112J 1/4 -CP
R223	06T75433W17	RES, RK 47RJ 1/4 -CP
R224	06T75433W17	RES, RK 47RJ 1/4 -CP
R236	06T75434W26	RES, RK JUMPER 1/4-CP
R237	06T75434W26	RES, RK JUMPER 1/4-CP
R238	06T25277Y57	RES, RK 102J 1/16 -CP
Connectors		
CB101	09T45435W15	FFC, 52207-1590 -ED
CB102	09T45435W07	FFC, 52207-0790 -E9
CB802	09T25074Y28	BTB, TKC-W28X-G2 -EK
Miscellaneous		
ANT1	09T25015Y01	ANT, RECEPTACLE -DB
CB001	09T15299Y15	BTB, TMD-V15X-B1 -DB
CB801	09T35343Y16	WTB, IMSA9451B-16 -DB
CH401	09T15298Y15	BTB, TMD-V15P-A1 -B
JK202	09T00992K01	RCA, T5880-AADA -DB (REAR)

Symbol No.	Part No.	Description
○ LCD401	65T15327Y02	LCD, GTD-16745H
△ LCD401	65T15217Y04	LCD, FSD-16708ABH
□ LCD401	65T15217Y04	LCD, FSD-16708AH
DP23S21A		
HD101	81B31011Y01	PICKUP, EP21A620
M101	01V21600Y50	ASSY, MOTOR-WORM (7V-370mA)
M102	01V28100Y58	ASSY, MOTOR SLED (7V-370mA)
M103	01V21600Y55	ASSY, MOTOR SPINDLE (2V-90mA)
SW1	40T15494Y01	SW, DETCT SPVG23 -E6 (12cm DISC DETECT (EJECT POSITION/RELOAD))
SW2	40T15494Y02	SW, DETCT SPVG13 -E6 (8/12cm DISC DETECT (INSERT/PULL OUT))
SW3	40T15494Y07	SW, DETCT SPVG21 -E6 (8cm DISC DETECT (EJECT POSITION/RELOAD))
SW4	40T15494Y01	SW, DETCT SPVG23 -E6 (DISC CHUCKING END DETECT)
SW5	40T71025F03	SW, DETCT SPPB120 (LIMIT)

NOTE : ○ : For CDE-7855RB Model Only,
 □ : For CDE-7854R Model Only,

△ : For CDE-7854RM Model Only,
 Others : Common.

CDE-7855RB/CDE-7854RM/CDE7854R

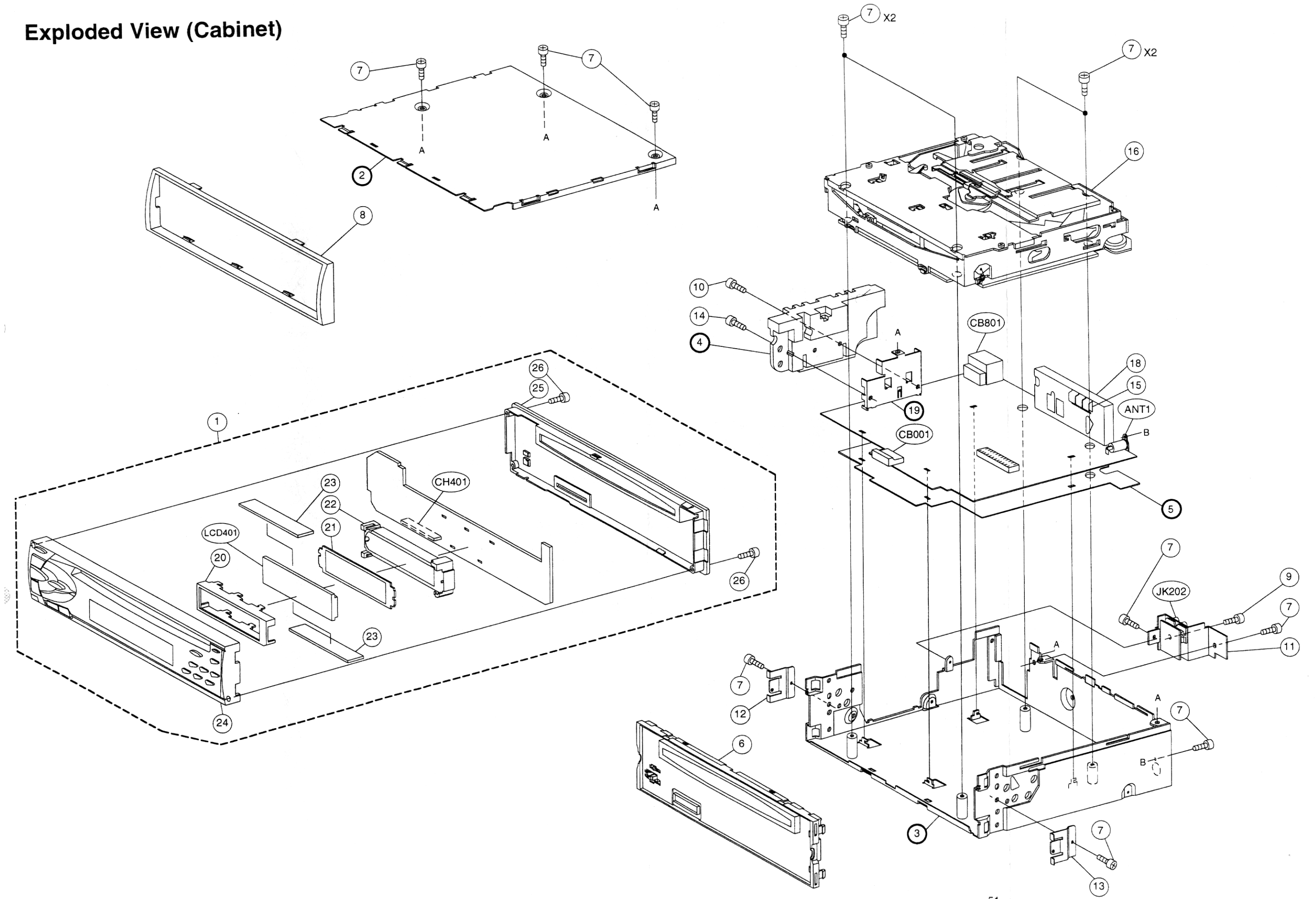
Cabinet Assembly Parts List

NOTE: Parts without part number are not supplied.

Symbol No.	Index	Part No.	Description	Symbol No.	Index	Part No.	Description
○	1	01V34600Y39	Assy., Nose Unit				
△	1	01V34600Y27	Assy., Nose Unit				
□	1	01V34200Y61	Assy., Nose Unit				
	6	13C10783Y01	Assy., Front Escutcheon				
	7	03S44205G29	Screw, Pan (M2.6X6)				
	8	33C00894K02	Face, Plate				
	9	03S71677F05	Screw, Pan (M3X8)				
	10	03S38013W05	Screw, Pan (M2.6X16)				
	11	07B00897K02	Bracket, RCA				
	12	07D00749K01	Bracket Side (L)				
	13	07D00749K02	Bracket Side (R)				
	14	03S44205G77	Screw, Pan (M2.6X12)				
	15	41T15030Y03	Spring, Shield (3P)				
	16	81D21780Y01	CD Deck Mechanism, DP23S21A				
	18	77C31331Y01	FM/MW/LW Tuner Unit, MB4R605A (TU001)				
	20	15B00966K01	Cover, LCD				
○	21	26A10492Y04	Reflector, Sheet				
△	21	26A10492Y01	Reflector, Sheet				
□	21	26A10492Y01	Reflector, Sheet				
	22	15D10499Y02	Assy., Case LCD				
	23	75T85248W08	Rubber, Electric				
○	24	13D30544Y10	Assy., Nosepiece				
△	24	13D30544Y09	Assy., Nosepiece				
□	24	13D30544Y08	Assy., Nosepiece				
	25	13D10486Y01	Nose, Bottom				
	26	03S71677F56	Screw, Pan (M1.7X12)				

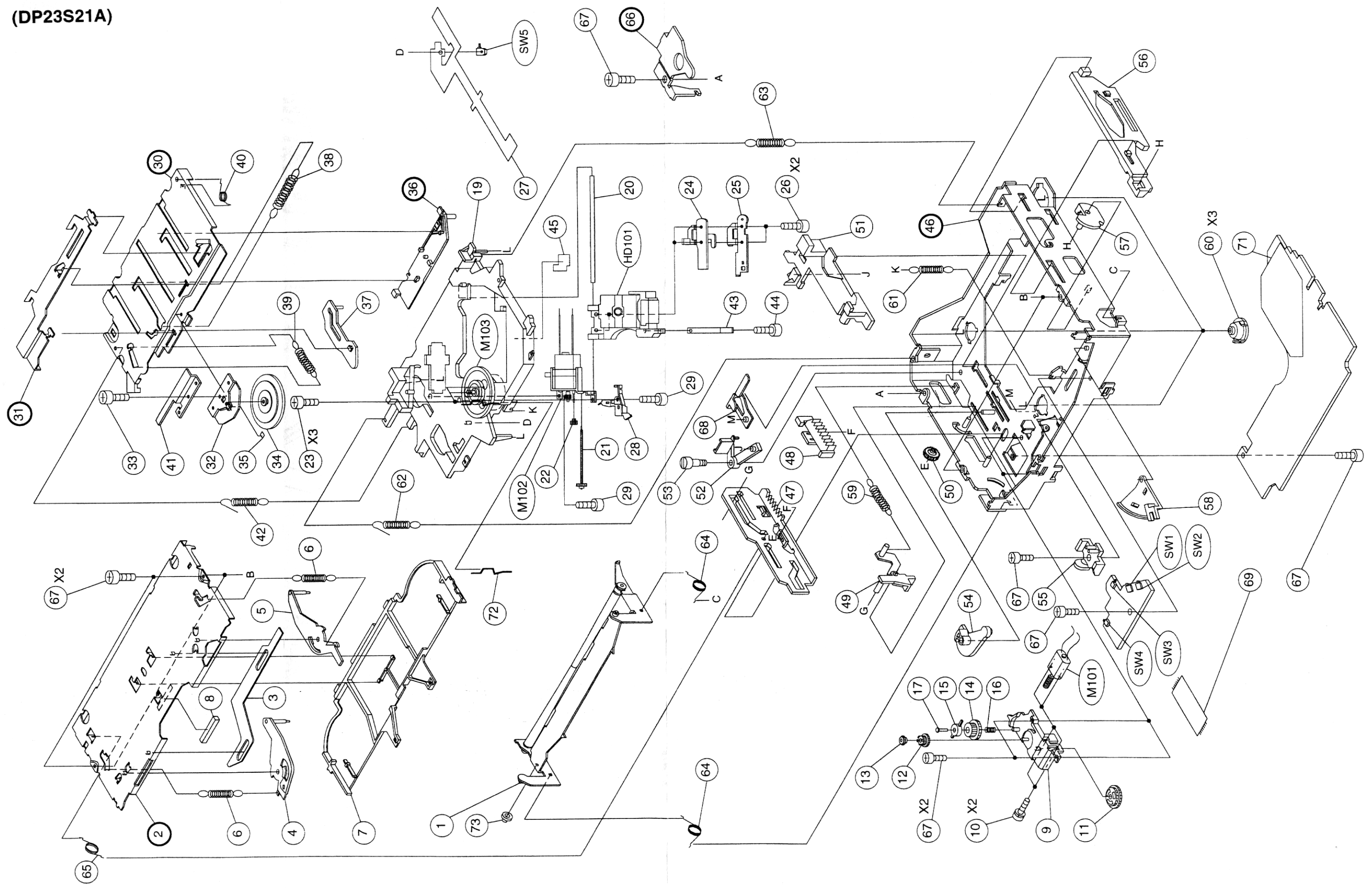
NOTE : ○ : For CDE-7855RB Model Only, △ : For CDE-7854RM Model Only,
 □ : For CDE-7854R Model Only, Others : Common.

Exploded View (Cabinet)



Exploded View (CD Deck Mechanism)

(DP23S21A)



CD Deck Mechanism Assembly Parts List

NOTE: Parts without part number are not supplied.

Symbol No.	Index	Part No.	Description	Symbol No.	Index	Part No.	Description
1		01V31800Y79	Assy., Arm Guide	53		03A11574Y01	Screw, Lock (M2X3)
3		45B11564Y02	Lever, Link-Top	54		45B11591Y01	Arm, Lock (L1)
4		45B11595Y01	Lever, Disc (R)	55		07A11585Y01	Bracket, Motor Wire
5		45B11596Y01	Lever, Disc (L)	56		45B11593Y01	Slider, Lock (R)
6		41B11613Y02	Spring, Pull	57		45B11607Y01	Arm, Lock (R)
7		15D11588Y01	Guide, Top DP-S	58		45A11597Y01	Lever, Switch
8		75A21286Y01	Cushion, Clamper DP-S	59		41B11613Y04	Spring, Trigger
9		07C11584Y01	Bracket, Motor Load	60		75C30466Y01	Damper, DP-S2
10		03S40014G07	Screw, W/Washer (M2X4)	61		41B11613Y06	Spring, Pull
11		44B11578Y01	Gear (A)	62		41B11613Y07	Spring, Pull
12		44B11579Y01	Gear (B)	63		41B11613Y08	Spring, Pull
13		44B11580Y01	Gear (C)	64		41A11610Y01	Spring, Rol
14		44B11582Y01	Gear (E)	65		41A31894Y01	Spring, Slider
15		15A11587Y01	Holder, Clutch	67		03A21791Y01	Screw, Flat (M2X3.5)
16		41A11612Y01	Spring, Comp	68		07B20905Y01	Bracket, FPC CONT
17		47A11571Y01	Shaft, Clutch	69		30T15126W16	Wire, PC Sensor (7P)
19		27D11602Y01	Chassis, Pick-Up	71		14A21117Y01	Insulator, Cover
20		47A11575Y01	Shaft, Pick-Up	72		41A21613Y01	Spring, Spindle
21		01V28100Y59	Assy., Shaft Screw	73		43A31443Y01	Roller, Arm Disc (C)
22		44A70590W02	Gear, Middle				
23		03S72235F96	Screw, Pan (M1.7X3.5)				
24		07B11623Y01	Bracket, Spring Nut				
25		41A11606Y10	Spring, Nut				
26		03S94385F18	Screw, Pan Nylok (M2X3.5)				
27		84T25102Y01	FPC CONT P.W.Board				
28		41B11566Y10	Spring, Shaft				
29		03S70494F13	Screw, Pan (M2X6)				
32		07A11565Y02	Plate, Clamp				
33		03S94385F02	Screw, Pan Nylok (M1.7X3)				
34		43B10585Y01	Table, Clamper-V				
35		43A20308Y01	Spacer, Clamp				
37		45A11599Y01	Lever, Actuator				
38		41B11613Y03	Spring, Pull				
39		41B11613Y05	Spring, Lev-Act				
40		41A11609Y01	Spring, Lever				
41		41B30747Y10	Spring, Plate				
42		41B11613Y01	Spring, Pull				
43		41A11040Y10	Spring, Sled-HOE				
44		03S72235F79	Screw, Pan (M1.4X3)				
45		43A21240Y01	Sheet, FPC Pick				
47		45B11560Y02	Slider, Load				
48		44B11586Y01	Rack				
49		45A11601Y01	Lever, Trigger				
50		44B11581Y01	Gear (D)				
51		45B11594Y01	Slider, Lock (L)				
52		45A11592Y01	Arm, Lock (L2)				