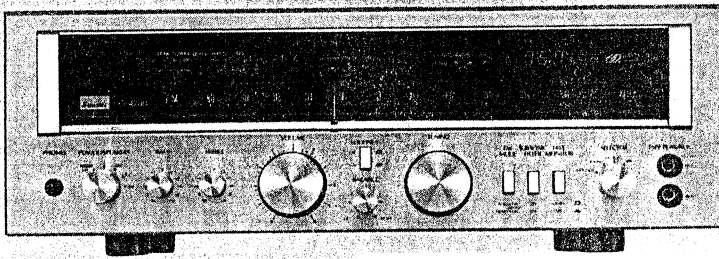


SERVICE MANUAL

AM/FM STEREO RECEIVER SANSUI G-4700



Sansui

SANSUI ELECTRIC CO., LTD.

● SPECIFICATIONS

Audio section

Power output

Min. RMS, both channels driven, from 20 to 20,000 Hz with no more than 0.05 % total harmonic distortion.

50 watts per channel into 8 ohms

Load impedance 8 ohms

Total harmonic distortion

less than 0.05 % at or below rated min. RMS power output

Intermodulation distortion (70 Hz : 7 kHz = 4:1 SMPTE method)

less than 0.05 % at or below rated min. RMS power output

Frequency response (at 1 watt)

Overall (from TAPE/AUX)

10 to 70,000 Hz

+1.0 dB, -2.0 dB

RIAA curve deviation (PHONO, 30 Hz, to 15 kHz)

+0.5 dB, -0.5 dB

Damping factor (20 Hz to 20 kHz, both channels driven)

30 into 8 ohms

Input sensitivity and impedance (at 1 kHz)

PHONO 2.5 mV/47 kilohms

(Max. input capability: 200 mV at 1 kHz, less than 0.5 % total harmonic distortion.)

TAPE PLAY, TAPE/AUX

150 mV/47 kilohms

Output level (at 1 kHz)

TAPE REC 150 mV

Hum and noise (short-circuit, A-network)

PHONO 76 dB

TAPE PLAY, TAPE/AUX

95 dB

Channel separation (at 1 kHz)

PHONO 50 dB

TAPE PLAY, TAPE/AUX

50 dB

Controls

BASS ±10 dB at 50 Hz

TREBLE ±10 dB at 10 kHz

SUBSONIC FILTER

-3 dB at 16 Hz (6 dB/oct)

LOUDNESS (VOLUME control: -30 dB position)

9 dB at 50 Hz

6 dB at 10 kHz

FM section

Tuning range 88 to 108 MHz

Usable sensitivity

Mono IHF 10.8 dBf (1.9 μV)

DIN 1.2 μV

Stereo IHF 19 dBf

50 dB quieting sensitivity

Mono 15 dBf

Stereo 38 dBf

Signal to noise ratio (at 65 dBf)

Mono 75 dB

Stereo 70 dB

Distortion (at 65 dBf)

Mono less than 0.18 % at 100 Hz

less than 0.15 % at 1,000 Hz

less than 0.25 % at 6,000 Hz

Stereo less than 0.3 % at 100 Hz

less than 0.25 % at 1,000 Hz

less than 0.3 % at 6,000 Hz

Alternate channel selectivity (at 400 kHz)

50 dB

Capture ratio 1.0 dB

Image response ratio 48 dB

Spurious response ratio 70 dB

IF response ratio 90 dB

Stereo separation 30 dB at 100 Hz

40 dB at 1,000 Hz

28 dB at 10,000 Hz

Frequency response 30 to 15,000 Hz

+0.5 dB, -1.0 dB

Antenna input impedance

300 ohms balanced

75 ohms unbalanced

AM section

Tuning range 530 to 1,600 kHz

Usable sensitivity (bar antenna)

50 dB/m (300 μV/m)

Selectivity 33 dB

Signal to noise ratio 46 dB

Distortion (at 30 % Modulation, 80 dB/m)

less than 0.5 %

Others

Power requirements

Power voltage 100, 120, 220, 240 V

(50/60 Hz)

For U.S.A. and Canada

120 V (60 Hz)

Power consumption

Rated consumption

160 watts 190 VA

Dimensions 433 mm (17-1/16") W

155 mm (6-1/8") H

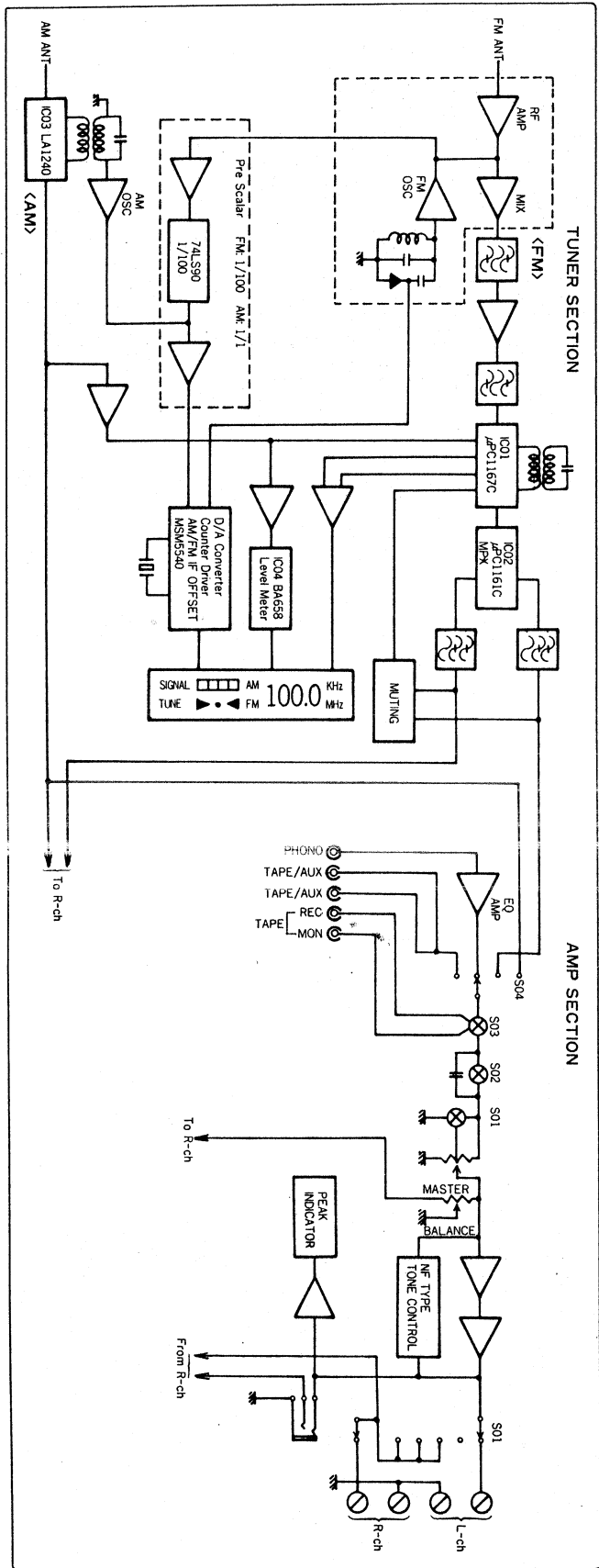
355 mm (14") D

Weight 8.6 kg (19.0 lbs) net

10.0 kg (22.0 lbs) packed

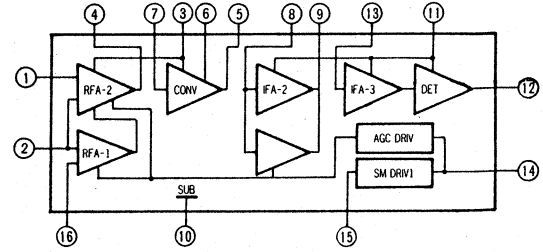
• Design and specifications subject to changes without notice for improvements.

1. BLOCK DIAGRAM

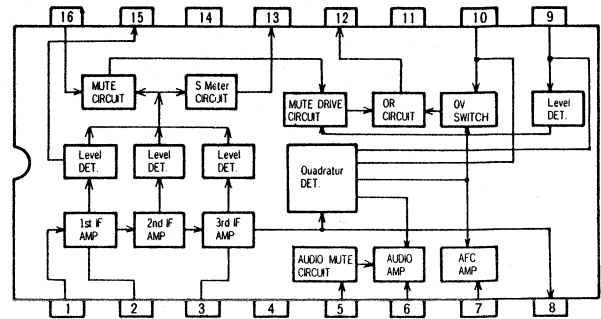


2. INTERIOR BLOCK DIAGRAM OF IC

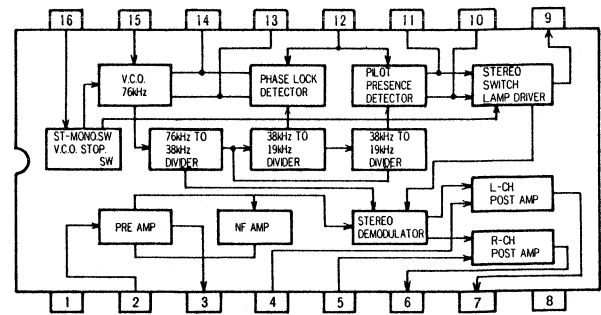
• LA-1240 (AM Tuner IC)



• μPC1167C (Quadratur Detector IC)



• μPC1161C (MPX IC)

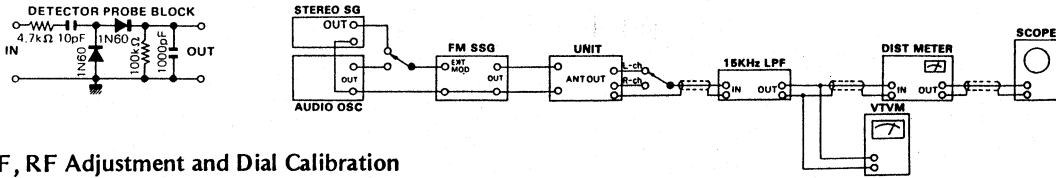


3. ADJUSTMENTS (See Top View on Page 8)

1. FM Adjustment

Note: 1. Selector FM MONO
 2. FM Muting Switch OFF

3. Connection Connect the output of genescopes to TP through 100 pF ceramic capacitor.



(1) FM IF, RF Adjustment and Dial Calibration

• Before making adjustment of steps 2 ~ 5, run the unit for more than 2 minutes and make the dial pointer go round on the dial scale at once by tuning knob.

| STEP | SUBJECT | FEED SIGNAL | | MEASURE OUTPUT | ADJUST | ADJUST FOR | REMARKS |
|------|--|--|--------------------------|--|---|---|---|
| | | FROM | TO | | | | |
| 1. | IF COIL | 98 MHz ANT Input as mini as possible 1 kHz (100% MOD) FM SSG | ANT Terminal 300Ω | REC OUT Connect VTVM & Scope | T1 on FM Pack F-3062 | Max. Output | |
| 2. | Discriminator Coil | Output 60 dB Genescopes | Pin marked IF on FM Pack | Lead wire of R18 on F-3062 | T01, T02 on F-3062 | Steep linearity of S curve Make symmetrical S curve | |
| | Discriminator Coil In case of using Dist Meter | 98 MHz ANT Input 65 dBf (59.8 dB) 1 kHz (100% MOD) FM SSG | ANT terminal 300Ω | REC OUT Connect VTVM Scope & Dist Meter | T1 on FM Pack F-3062 T01, T02 on F-3062 | Mini Distortion | |
| 3. | Tune Indicator | Same as above | Same as above | Between Pin 07 & 08 on F-3062 Connect Volt Meter | T02 on F-3062 | 0V ± 0.1V | |
| 4. | AFC Bias Adj. | Same as above | Same as above | TP02 on F-3062 Connect Volt Meter | VR03 on F-3000 | 7V ± 0.2V | Before this adjustment ground collector of TR15 (lead wire of R35) & base of TR17 on F-3000 |
| 5. | Dial Calibration | No Input | | Dial Pointer | Tuning Knob | 98 MHz | |
| | | Same as above | | Indication of display unit | TC3 on FM Pack F-3062 | 98 MHz | |
| 6. | RF Adj. | 98 MHz ANT Input as mini as possible 1 kHz (100% MOD) FM SSG | ANT terminal 300Ω | TP11 on F-3062 Connect VTVM & Scope | TCA TCR on FM Pack | Max. Output | |
| 7. | Signal Indicator | 98 MHz ANT Input 15 dBf (9.8 dB) 1 kHz (100% MOD) FM SSG | Same as above | Signal Indicator | VR01 on F-3000 | The second segment becomes luminous | Mode switch → FM AUTO * The ANT Input level at which muting turns off. |

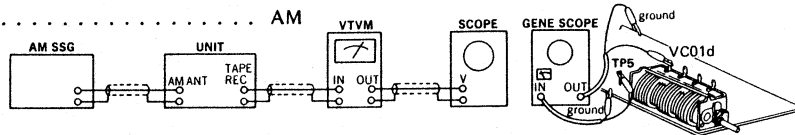
(2) FM STEREO Adjustment

Note: Selector FM AUTO

| STEP | SUBJECT | FEED SIGNAL | | MEASURE OUTPUT | ADJUST | ADJUST FOR | REMARKS |
|------|---------------------------------------|--|-------------------|-----------------------------------|----------------|-------------------------|-----------------------------------|
| | | FROM | TO | | | | |
| 1. | PLL VCO Adj. | 98 MHz ANT Input 65 dBf (59.8 dB) FM SSG Pilot 19 kHz (9% MOD) SUB 1 kHz + Pilot (100% MOD) STEREO SG | ANT terminal 300Ω | Stereo Indicator | VR02 on F-3062 | | Center Position of lighting range |
| | PLL VCO Adj. In case of using counter | 98 MHz ANT Input 65 dBf (59.8 dB) FM SSG (No MOD) | Same as above | Lead wire of R22 on F-3062 | VR02 on F-3062 | 76 kHz ± 50 Hz | |
| 2. | Separation | 98 MHz ANT Input 65 dBf (59.8 dB) FM SSG Pilot 19 kHz (9% MOD) L Mode SUB 1 kHz Pilot (100% MOD) STEREO SG | Same as above | L-ch REC OUT connect VTVM & Scope | | | Read the output value of REC OUT |
| | | Same as above | Same as above | R-ch REC OUT connect VTVM & Scope | VR01 on F-3062 | Read value above -40 dB | Confirm Rch → Lch |

2. AM IF Adjustment & Dial Calibration

Note: 1. Selector AM



| STEP | SUBJECT | FEED SIGNAL | | MEASURE OUTPUT | ADJUST | ADJUST FOR | REMARKS |
|------|---------------------------------|--|-------------------------|--|--------------------------|--------------------------------|---------|
| | | FROM | TO | | | | |
| 1. | IF Coil | Genescope output 65 dB | VC4 on FM Pack | TP15 on F-3062 | T03 on F-3062 | Max. Output | |
| 2. | 600 kHz Dial Calibration | No Input | | Dial Pointer | Tuning Knob | 600 kHz | |
| | | Same as above | | Indication of digital display unit | L03 on F-3062 | 600 kHz | |
| 3. | 1400 kHz Dial Calibration | Same as above | | Dial Pointer | Tuning knob | 1400 kHz | |
| | | Same as above | | Indication of digital display unit | TC2 on FM Pack F-3062 | 1400 kHz | |
| 4. | 600 kHz RF Adj. | 600 kHz ANT Input as mini as possible 1 kHz (30% MOD) AM SSG | ANT terminal 300Ω | REC OUT connect VTVM & Scope | L01 (Bar ANT) | Max. Output | |
| 5. | 1400 kHz RF Adj. | 1400 kHz ANT Input as mini as possible 1 kHz (30% MOD) AM SSG | Same as above | Same as above | TC1 on FM Pack F-3062 | Max. Output | |
| 6. | Signal Indicator | 1000 kHz ANT Input 80 dB 1 kHz (30% MOD) AM SSG | Same as above | Signal indicator lamp | VR02 F-3000 | Make every 8 lamps lighting | |

3. Driver Circuit Board Adjustments

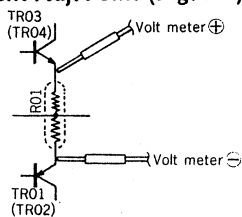
Note: 1. Master Volume Minimum

2. Room Temperature . . . 18°C ~ 28°C (65°F ~ 83°F)

3. For adjustment, run the unit for more than 3 minutes after the power is switched on.

| STEP | SUBJECT | EQUIPMENT | MEASURE OUTPUT | ADJUST | ADJUST FOR | REMARKS |
|------|-----------------------------|---------------|------------------------|-------------|----------------|-----------------|
| 1. | DC 0V Adj. (L-ch) | DC Volt Meter | Output Terminal (L-ch) | VR05 F-3066 | 0V | No Input Signal |
| 2. | DC 0V Adj. (R-ch) | Same as above | Output Terminal (R-ch) | VR06 F-3066 | 0V | No Input Signal |
| 3. | Bias current Adj. (L-ch) | Same as above | See Fig. 3-1. | VR07 F-3066 | 4.5 mV (15 mA) | No Input Signal |
| 4. | Bias current Adj. (R-ch) | Same as above | See Fig. 3-1. | VR08 F-3066 | 4.5 mV (15 mA) | No Input Signal |

• Bias Current Adj. Point (Fig. 3-1)



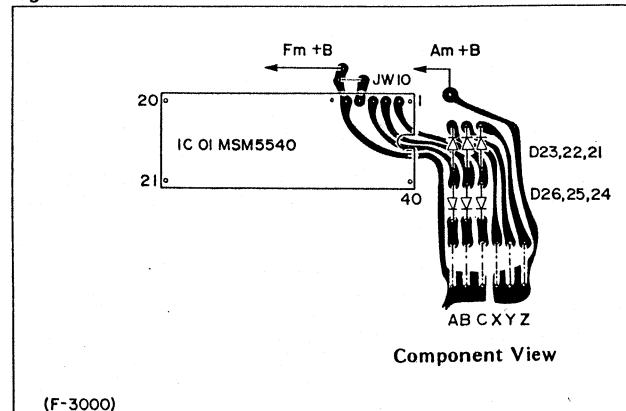
• Intermediate frequency of AM Section (See Figs. 3-2 & 3-3).

Since the band pass filter of both 450 kHz type and 455 kHz type are adaptable to the IF stage, pay attention for inserting position of jumper wire and a diode for setting the IF OFFSET ROM value when replacement.

Fig. 3-2.

| Intermediate frequency | Stock No. of IF filter, T05 on F-2975 | Inserting Position of jumper wire on F-3000 | Inserting Position of Diode on F-3000 |
|------------------------|---------------------------------------|---|---------------------------------------|
| 450 kHz | 0910490 | X | D23 |
| 455 kHz | 4230680 | Z | D21, D24 |

Fig. 3-3



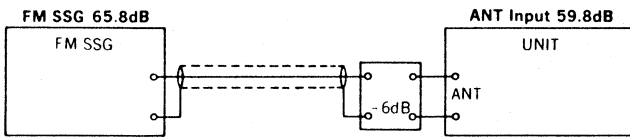
• **NEW MEASUREMENT FOR FM.**

Input signal level under the provision of IHFM-T-200, a new measurement method is indicated by available power ratio "dBF". To obtain approximate available power ratio "dBF", abstract 0.8 from attenuator indication of general FMSG (open load indication type); however, the former measurement, IHFM-T-100 is designated together too.

The way of modulation of IHFM-T-200 is shown below.

| | modulation frequency | modulation mode | modulation factor |
|-----------|----------------------|-----------------|------------------------------|
| FM MONO | 1000 Hz | | 100% |
| FM STEREO | 1000 Hz | SUB | Pilot 9% Pilot + SUB 100% |

• The relation between the standard input 65 dBf of IHFM-T-200 and the former indication "dB" is shown below.



• **Abbreviations**

| | | | |
|------------------------------|-----------|---------------------------|-------------|
| Equipment | Genescope | Audio Oscillator | Audio Osc. |
| AM FM Generator Oscilloscope | AM SSG | Distortion Meter | Dist. Meter |
| AM Standard Signal Generator | FM SSG | Others | |
| FM Standard Signal Generator | Stereo SG | Antenna | ANT. |
| FM Stereo Generator | Scope | Modulation | MOD. |
| Oscilloscope | | Total Harmonic Distortion | T.H.D. |

• **Selection of Intermediate Frequencies (FM) (Refer to Fig. 3-3 parts location F-3000 on page 3)**

The digital locking point differs with the frequency rank of the ceramic filter used in the F-3062. When the central frequency (shown by a color) of the ceramic filter is changed, the following connection must be made by using jumper wires:

- Unify the color marks of the FM ceramic filters (CF01 ~ CF02) on the F-3062 with the same color.
- Select the joints A, B, and C of F-3000 according to color marks as shown in the following table:

| Colouring | Intermediate frequency | Connecting Position of Jumper wire on F-3000 | | | Connecting Position of Diode on F-3000 | | | | |
|-----------|------------------------|--|---|---|--|-----|-----|-----|------------------|
| | | A | B | C | Jumper wire Total Q'ty | D26 | D25 | D24 | Diode Total Q'ty |
| Black | 10.64MHz | | | ● | 1 | | | ● | 1 |
| Brown | 10.66MHz | | ● | | 1 | | ● | | 1 |
| Blue | 10.68MHz | | ● | ● | 2 | | ● | ● | 2 |
| Red | 10.70MHz | ● | | | 1 | ● | | | 1 |
| Orange | 10.72MHz | ● | | ● | 2 | ● | | ● | 2 |
| Gray | 10.74MHz | ● | ● | | 2 | ● | ● | | 2 |
| White | 10.76MHz | ● | ● | ● | 3 | ● | ● | ● | 3 |

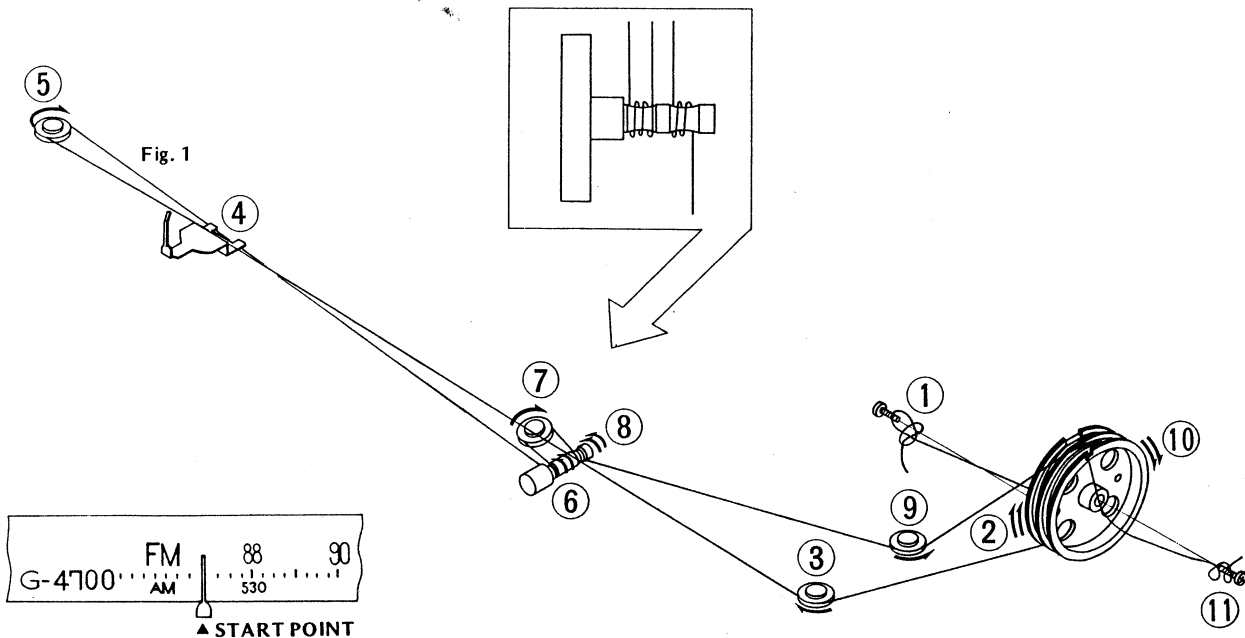
4. THREADING OF DIAL CORD

- If a dial cord is cut off or slips, replace it by following procedures. As this unit uses 0.5 mmφ cord, please replace it with the same type certainly.
- The length of dial cord is approximately 160 cm (65.3 inch).

1. Threading of Dial Cord

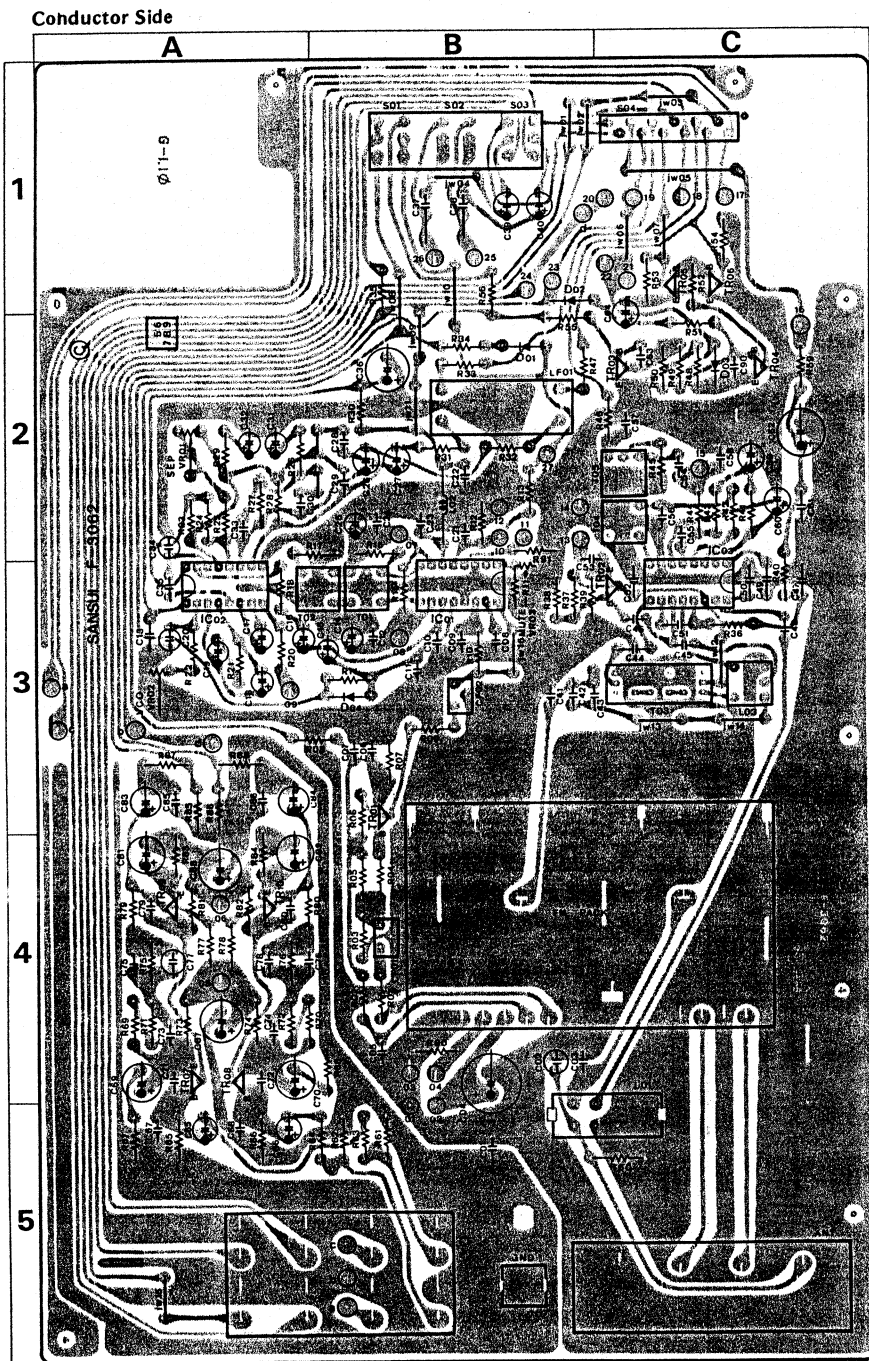
Thread the dial cord in numerical order from ① to ⑪ as Fig. 1.

- Open the variable capacitor completely.
- * Dial Cord (0.5 mmφ) Stock No. 6036051



5. PARTS LOCATION & PARTS LIST

5-1. F-3062 AM/FM Tuner & FM MPX Circuit Board (Stock No. 7522271)



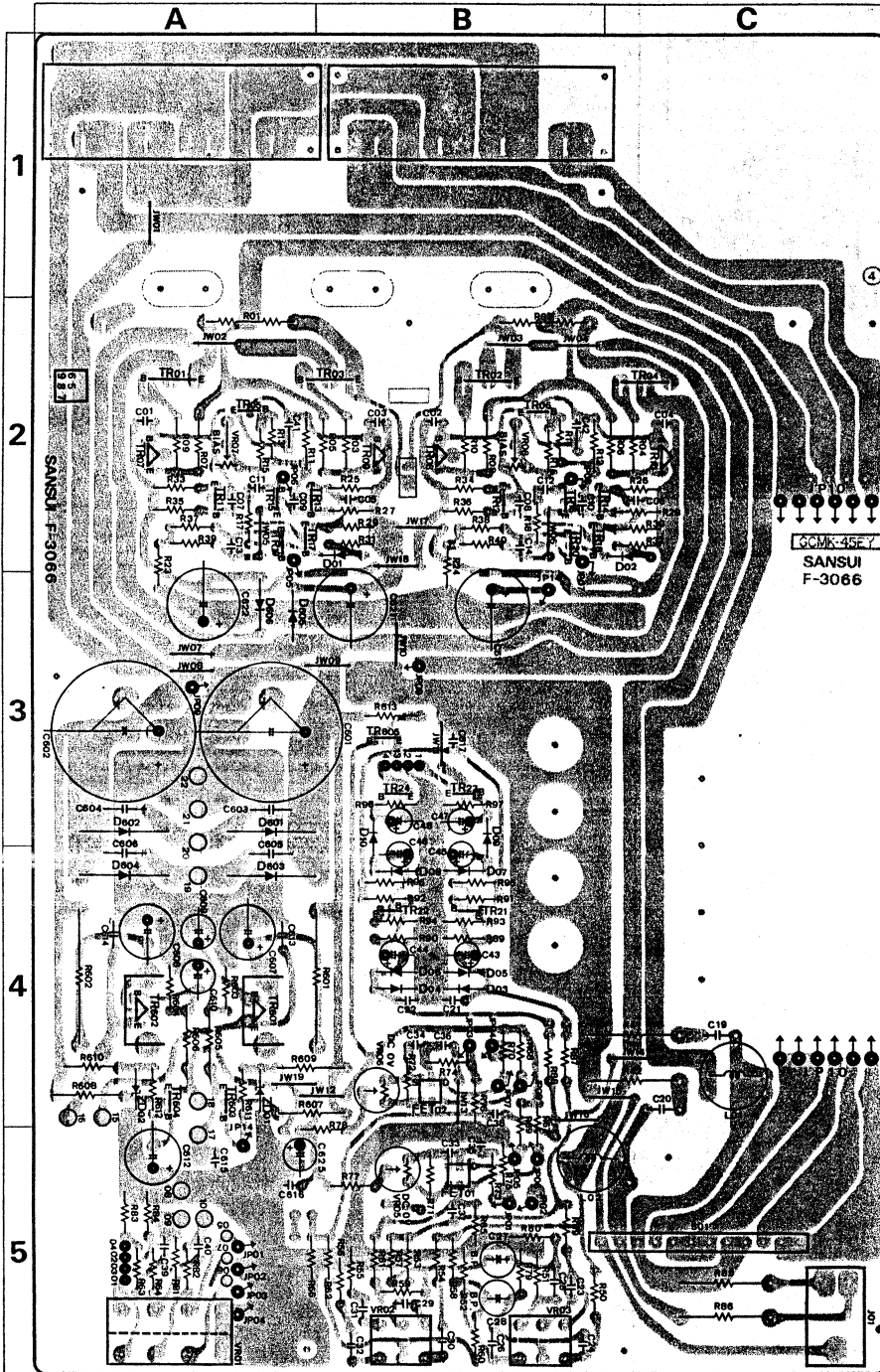
Since some of capacitors and resistors are omitted from parts lists in this Service Manual, refer to the Common Parts List for capacitors & resistors which was appended previously to each Sansui Manual.

Parts List

| Parts No. | Stock No. | Description | Position |
|-------------|---|---|--------------|
| ●Transistor | | | |
| TR01, 02 | 0306341, 2 | 2SC1674 L, K | 3B, 3C |
| TR03 | 0305951, 2 | 2SC945 O, P | 2C |
| TR04 | 0300470 | 2SA726 (F) | 2C |
| TR05, 06 | 0306581 | 2SC1634-6, 7 | 1C |
| TR07, 08 | 0300900, 1 | 2SA906 (G), (H) | 4C |
| | 0301171 | 2SA991-E | |
| TR09, 10 | 0306071 | 2SC1313 G | 4A |
| ●IC | | | |
| IC 01 | 0360750 | μPC1167C | 3B |
| IC 02 | 0360990 | μPC1161C | 3A |
| IC 03 | 0360800 | LA1240 | 3C |
| ●Diode | | | |
| D 01 ~ 04 | 0311160 | 1S2473D | 1, 2, 3B, 2C |
| C 01 | 0860360 | 22000pF 50V C.C. | 5B |
| C 02 | 0622682 | 6800pF 125V P.C. | 4B |
| C 03 | 0860130 | 15pF 50V C.T. | 4B |
| C 10 | 0860230 | 100pF 50V C.T. | 3B |
| C 17 | 0573228 | 0.22μF 35WV Ta.C. | 3A |
| C 18 | 0573339 | 3.3μF 35WV Ta.C. | 3A |
| C 19 | 0573159 | 1.5μF 35WV Ta.C. | 3A |
| C 20 | 0622471 | 470pF 125V P.C. | 3A |
| C 28 | 0622751 | 750pF 125V P.C. | 2B |
| C 30 | 0622751 | 750pF 125V P.C. | 2A |
| C 34 | 0622471 | 470pF 125V P.C. | 2A |
| C 41 | 0867190 | 22pF 50V C.T. | 3B |
| C 42 | 0625391 | 390pF 50V P.C. | 3B |
| C 43 | 0861110 | 10pF 50V C.T. | 3B, C |
| C 67, 68 | 0860230 | 100pF 50V C.T. | 5A |
| C 71, 72 | 0860290 | 330pF 50V C.T. | 4A |
| C 77, 78 | 9622161 | 160pF 125V P.C. | 4A |
| C 79, 80 | 0860170 | 33pF 50V C.T. | 4A |
| C 85, 86 | 0860270 | 220pF 50V C.T. | 3A |
| L 01 | 4201020, 1 | Bar Antenna | 5B, C |
| L 02 | 4290011 | Peaking Coil | |
| L 03 | { 4220710 4220730 | O.S.C. Coil | 3C |
| T 01 | 4236230 | FM Detector Coil | 3B |
| T 02 | 4236240 | FM Detector Coil | 3A, B |
| T 03 | 4230680 | IF Coil | 3C |
| T 04 | 4230620 | IF Coil | 2C |
| CF 01, 02 | 0910380 | B.P.F. | 4B, 3B |
| LF 01 | 0910220 | L.P.F. | 2B |
| VR01 | 1037110 | 220kΩ B Separation | 2A |
| VR02 | 1037060 | 5kΩ V.C.O. | 3A |
| S 01 | { 1131060, 1 1101840 1101890 | Push Switch Selector Switch Selector Switch | 1B 1C |
| S 04 | { 2200410, 1 2210330 2230180 7510780 | Input Terminal Output Terminal Grounding Terminal Front End Pack | |

5-2. F-3066 Main Amp & Power Supply Circuit Board (Stock No. 7503421)

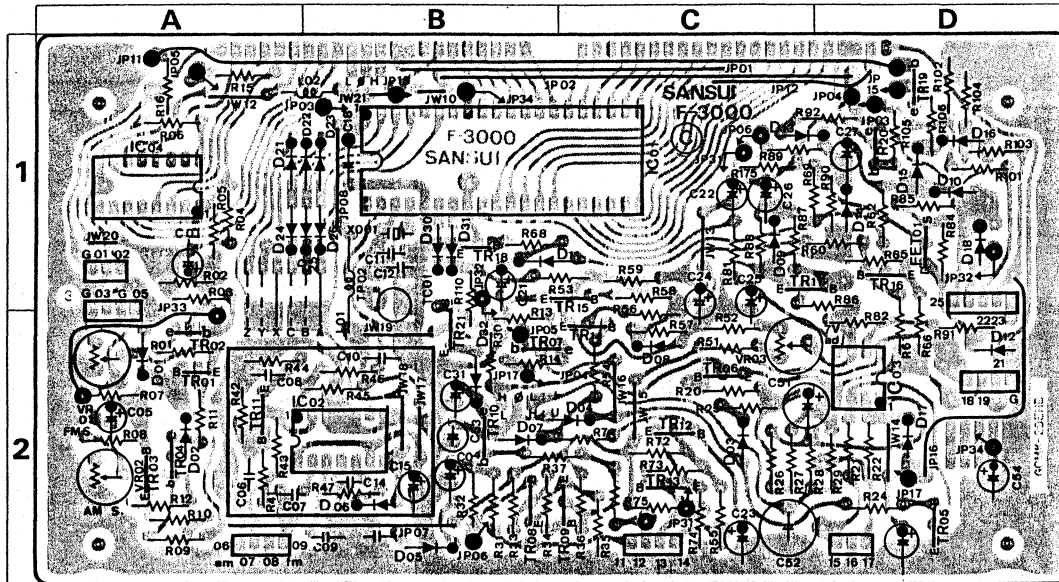
Conductor Side



Parts List

| Parts No. | Stock No. | Description | Position |
|---------------------|------------|--------------------------------|-----------|
| •Transistor | | | |
| TR01, 02 | 0301180, 1 | 2SA1102 O, Y | 2A, 2B |
| TR03, 04 | 0306870, 1 | 2SC2577 O, Y | 2A, B, 2C |
| TR05, 06 | 0305951, 2 | 2SC945 Q, P | 2A, 2B |
| TR07, 08 | 0303441, 2 | 2SB527 D, E | 2A, 2B |
| TR09, 10 | 0308611, 2 | 2SD357 D, E | 2B, 2C |
| TR11, 12 | 0306280 | 2SC1735 C, D | 2A, 2B |
| TR13, 14 | 0300720, 1 | 2SA850 C, D | 2A, 2B |
| TR15, 16 | 0306740, 1 | 2SC1845 F, E | 2A, 2B |
| TR17, 18 | 0300720, 1 | 2SA850 C, D | 2A, 2B |
| TR19, 20 | 0306740, 1 | 2SC1845 F, E | 2A, 2B |
| TR21, 22 | 0305951, 2 | 2SC945 Q, P | 4B |
| TR23, 24 | 0300510, 1 | 2SA733A P, Q | 3B |
| TR601 | 0308611, 2 | 2SD357 D, E | 4A |
| TR602 | 0303441, 2 | 2SB527 D, E | 4A |
| TR603 | 0308521, 2 | 2SD438 E, F | 4A |
| TR604 | 0303361, 2 | 2SB568MP E, F | 4A |
| TR605 | 0308521, 2 | 2SD438 E, F | 3B |
| •FET | | | |
| FET01, 02 | 0370311, 2 | 2SK129A L, M | 5B, 4B |
| •Diode | | | |
| D 01, 02 | 0311180 | 1S2473D | 2B, 2C |
| D 03, 04 | 0310330 | 1N60 | 4B |
| D 05 ~ 10 | 0311180 | 1S2473D | 3, 4B |
| D 601 ~ 04 | 0311530 | 30D2 | 3, 4A |
| D 605, 606 | 0310340 | 10D1 | 3A |
| •Zener Diode | | | |
| ZD01, 02 | 0316070 | EQA01-24R | 4A |
| C 601, 602 | 0549119 | 8000µF 50V E.C. | 3A, B |
| C 603 ~ 06 | 0855103 | 10000µF 500V C.C. | 3, 4A |
| R 01, 02 | 0159200 | 0.15Ω x 2 Ce.R. | 2A, 2B |
| R 03, 04 | 0192229 | 2.2Ω 1/2W F.R. | 2B, 2C |
| R 05 ~ 08 | 0192221 | 220Ω 1/2W F.R. | 2A, B, C |
| R 09, 10 | 0192229 | 2.2Ω 1/2W F.R. | 2A, 2B |
| R 11, 12 | 0194390 | 39Ω 1/2W F.R. | 2A, 2B |
| R 601 | 0135121 | 120Ω 5W Ce.R. | 4B |
| R 602 | 0185331 | 330Ω 5W Ce.R. | 4A |
| L 01, 02 | 4290370 | 1µH Filter Coil | 4C, 5B, C |
| VR01 | 1011200 | 150kΩ B Volume | 5A |
| | 1011201 | 250kΩ x 2 B Volume | |
| VR02 | 1015530, 1 | 100kΩ x 2 C Treble | 5B |
| VR03 | 1015530, 1 | 100kΩ x 2 C Bass | 5B |
| VR05, 06 | 1035010 | 100Ω B D.C. 0V | 5B, 4B |
| VR07, 08 | 1037030 | 500Ω B Bias | 2A, 2B |
| S 01 | 1101850 | Power, speaker selector switch | 5C |
| J 01 | 2430460 | Jack | 5C |
| | 2210340 | Output Terminal Board | |

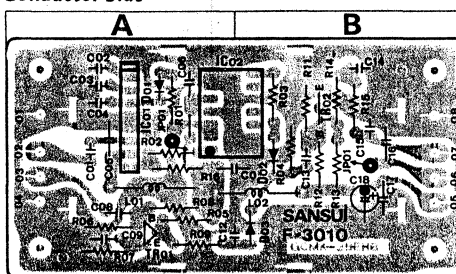
5-3. F-3000 Digitally Display Circuit Board (Stock No. 7597971)
Conductor Side



Parts List

| Parts No. | Stock No. | Description | Position | Parts No. | Stock No. | Description | Position | Parts No. | Stock No. | Description | Position | | | | | | | | |
|-------------|-------------|-----------------|----------|--|-------------|-----------------|--------------|-----------|-----------|------------------|----------|--|--|--|--|--|--|--|--|
| •Transistor | | | | | | | | | | | | | | | | | | | |
| TR01 | 0305951 ~ 3 | 2SC945 Q, P, K | 2A | TR19 | 0300510 ~ 2 | 2SA733A P, Q, R | 1D | D 23 | 0311160 | 1S2473D | 1B | | | | | | | | |
| TR02 | 0300510 ~ 2 | 2SA733A P, Q, R | 2A | TR20 | 0300510 ~ 2 | 2SA733A P, Q, R | 1D | D 26 | 0311160 | 1S2473D | 1B | | | | | | | | |
| TR03 | 0305951 ~ 3 | 2SC945 Q, P, K | 2A | TR21 | 0305951 ~ 3 | 2SC945 Q, P, K | 2B | D 30 | 0311160 | 1S2473D | 1B | | | | | | | | |
| TR04 | 0300510 ~ 2 | 2SA733A P, Q, R | 2A | | | | | D 32 | 0311160 | 1S2473D | 2B | | | | | | | | |
| TR05 | 0305951 ~ 3 | 2SC945 Q, P, K | 2D | •IC | | | | | | | | | | | | | | | |
| TR08 | 0305951 ~ 3 | 2SC945 Q, P, K | 2C | IC 01 | 0360910 | MSM5540RS | 1B | C 11 | 0669508 | 8pF 50V C.C. | 1B | | | | | | | | |
| TR07 | 0300510 ~ 2 | 2SA733A P, Q, R | 2B | IC 03 | 0360770 | NJM4558D | 2D | C 12 | 0661220 | 22pF 50V C.C. | 1B | | | | | | | | |
| TR08 | 0305951 ~ 3 | 2SC945 Q, P, K | 2B | IC 04 | 0360830 | BA658 | 1A | •FET | | | | | | | | | | | |
| TR09 | 0305951 ~ 3 | 2SC945 Q, P, K | 2C | FET01 { 0370300 ~ 3 2SK117 O, Y, GR, BL 1D | | | | | | | | | | | | | | | |
| TR10 | 0300510 ~ 2 | 2SA733A P, Q, R | 2B | { 0370340 ~ 7 2SK163 1D | | | | | | | | | | | | | | | |
| TR12 | 0305951 ~ 3 | 2SC945 Q, P, K | 2C | K1, K2, L1, L2, M1, M2, N1, N2 | | | | | | | | | | | | | | | |
| TR13 | 0305951 ~ 3 | 2SC945 Q, P, K | 2C | •Diode | | | | | | | | | | | | | | | |
| TR14 | 0305951 ~ 3 | 2SC945 Q, P, K | 2C | D 02 ~ 10 | 0311160 | 1S2473D | 1C, 2A, B, C | XO01 | 0930040 | Xtal, 6.5536 MHz | 1B | | | | | | | | |
| TR15 | 0305951 ~ 3 | 2SC945 Q, P, K | 1C | D 11 ~ 12 | 0311160 | 1S2473D | 1B, C, D, 2D | | | | | | | | | | | | |
| TR16 | 0305951 ~ 3 | 2SC945 Q, P, K | 1D | | | | | | | | | | | | | | | | |
| TR17 | 0305951 ~ 3 | 2SC945 Q, P, K | 1C | | | | | | | | | | | | | | | | |
| TR18 | 0305951 ~ 3 | 2SC945 Q, P, K | 1B | | | | | | | | | | | | | | | | |

5-4. F-3010 Pre Scaler Circuit Board (Stock No. 7597981)
Conductor Side



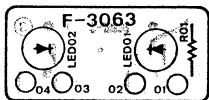
Parts List

| Parts No. | Stock No. | Description | Position |
|-------------|------------|------------------|----------|
| •Transistor | | | |
| TR01 | 0306341, 2 | 2SC1674 L, K | A |
| TR02 | 0306341, 2 | 2SC1674 L, K | B |
| •IC | | | |
| IC 01 | 0361130 | AN6821 | A |
| IC 02 | 0361120 | SN74LS90N | A |
| •Diode | | | |
| D 01 | 0311160 | 1S2473D | A |
| D 02 | 0311160 | 1S2473D | B |
| D 03 | 0311160 | 1S2473D | B |
| L 01 | 4290011 | 3.5µH Choke Coil | A |
| L 02 | 4290011 | 3.5µH Choke Coil | B |

- The circuit boards, F-3063, F-3064, F-3065, F-3091, F-2716 & F-3092 are not supplied as the assembled, the individual parts on the circuit boards, however are provided for orders.

5-5. F-3063 Stereo & Quartz Lock Indicator Circuit Board

Conductor Side

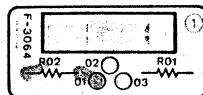


Parts List

| Parts No. | Stock No. | Description |
|-----------|-----------|------------------------------|
| LD01 | 0319060 | LED (RED) Stereo Ind. |
| LD02 | 0319050 | LED (GREEN) Quartz Lock Ind. |
| | 5299641 | Diode Holder |

5-6. F-3064 Input Terminal Board

Conductor Side

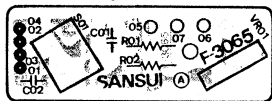


Parts List

| Parts No. | Stock No. | Description |
|-----------|-----------|-------------------|
| | 2200560 | 2P Input Terminal |

5-7. F-3065 Balance Volume Circuit Board

Conductor Side

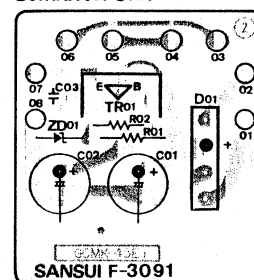


Parts List

| Parts No. | Stock No. | Description |
|-----------|------------|------------------------|
| VR01 | 1005350, 1 | 250kΩ B Balance Volume |
| S 01 | 1131490, 1 | Push Switch, loudness |

5-8. F-3091 Voltage Regulator Circuit Board

Conductor Side

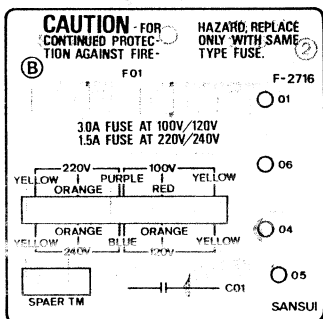


Parts List

| Parts No. | Stock No. | Description |
|---------------|------------|----------------|
| • Transistor | | |
| TR01 | 0308611, 2 | 2SD367 D, E |
| • Diode | | |
| D 01 | 0311700 | RB-152 |
| • Zener Diode | | |
| ZD01 | 0315780 | EQA01-06R |
| R 01 | 0210331 | 330Ω 1/2W |
| PL 01 | 0400710 | Lamp 8V 300 mA |

5-9. F-2716 Voltage Selector Circuit Board

Conductor Side

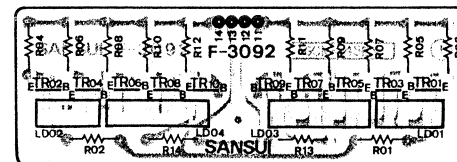


Parts List

| Parts No. | Stock No. | Description |
|-----------|-----------|--------------------|
| C 01 | 0659802 | 0.0047μF 150V C.C. |
| F 01 | 0432250 | AC Fuse 2.5A 250V |
| | 0432290 | AC Fuse 5A 125V |
| | 5616240 | Capacitor Cover |

5-10. F-3092 Power Indicator Circuit Board

Conductor Side



Parts List

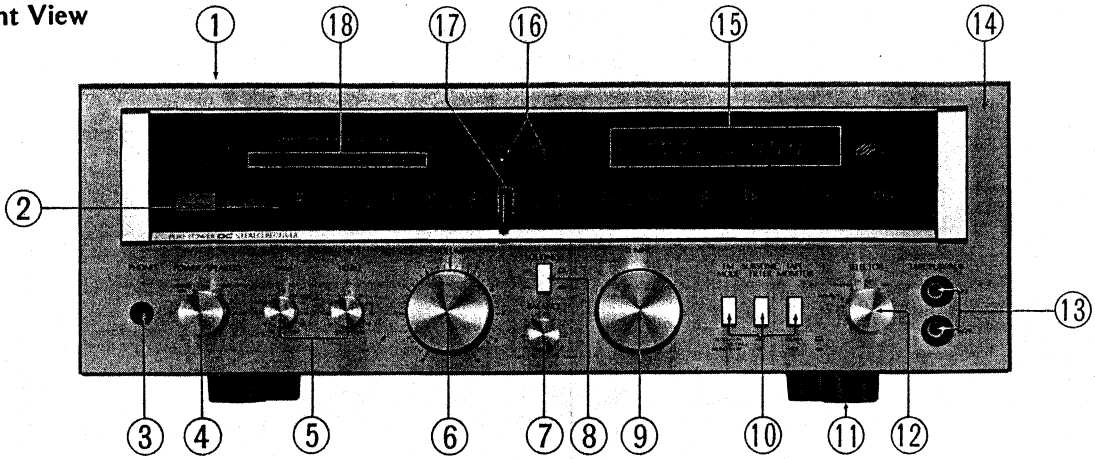
| Parts No. | Stock No. | Description |
|--------------|------------|-------------------|
| • Transistor | | |
| TR01 ~ 10 | 0300510, 1 | 2SA733A P, Q |
| LD01, 02 | 0319270 | LED Peak Ind. (2) |
| LD03, 04 | 0319280 | LED Peak Ind. (3) |

• Abbreviations

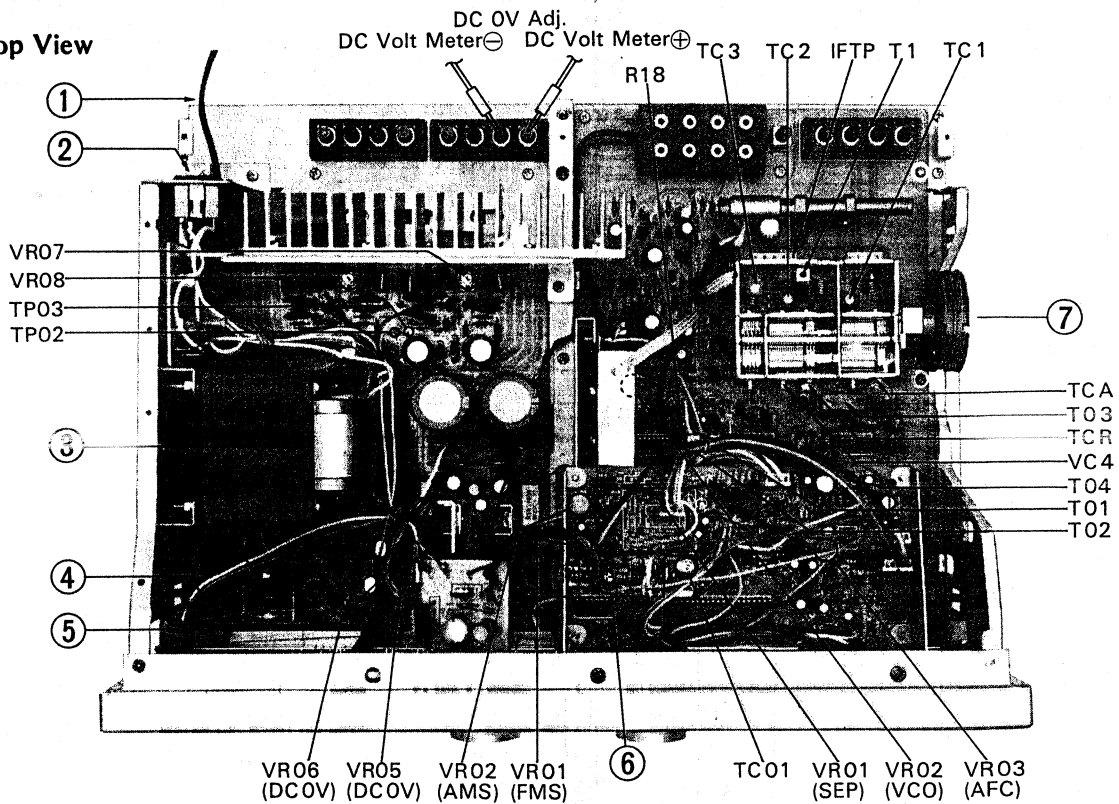
| | |
|---|---|
| C.R. Carbon Resistor | E.L. Low Leak Electrolytic Capacitor |
| S.R. Solid Resistor | E.B. Bi-Polar Electrolytic Capacitor |
| Ce.R. Cement Resistor | E.BL. Low Leak Bi-Polar Electrolytic Capacitor |
| M.R. Metal Film Resistor | |
| F.R. Fusing Resistor | Ta.C. Tantalum Capacitor |
| N.I.R. Non-Inflammable Resistor | F.C. Film Capacitor |
| C.C. Ceramic Capacitor | M.P. Metallized Paper Capacitor |
| C.T. Ceramic Capacitor, Temperature Compensation | P.C. Polystyrene Capacitor |
| E.C. Electrolytic Capacitor | G.C. Gimmick Capacitor |

6. OTHER PARTS

6-1. Front View



6-2. Top View



Parts List <Front View>

| No. | Parts No. | Stock No. | Description |
|-----|-----------|------------|--|
| 1 | | 5727182 | Wood Bonnet |
| 2 | | 5408730 | Dial Scale |
| 3 | J 01 | 2430480 | Jack, Headphone |
| 4 | S 04 | 1101850 | Power, speaker selector switch |
| | | 5319470 | Knob, power speaker selector |
| 5 | VR02, 03 | 1015330, 1 | 100k Ω Cx2 Bass, treble volume |
| | | 5319450 | Knob, bass treble |
| 6 | VR01 | 1011200 | 150k Ω Bx2 Volume |
| | | 5319400 | Knob, volume |
| 7 | VR01 | 1005350, 1 | 250k Ω B Balance Volume |
| | | 5319450 | Knob, balance volume |
| 8 | S 01 | 1131490, 1 | Push Switch, loudness |
| | | 5319450 | Knob, loudness |
| 9 | | 7036590 | Tuning Unit |
| | | 5319390 | Knob, tuning |
| 10 | S 01 ~ 03 | 1131060 | Push Switch, FM mode, subsonic, tape monitor |
| | | 5319390 | Knob, FM mode, subsonic, tape monitor |

Parts List <Top View>

| No. | Parts No. | Stock No. | Description |
|-----|-----------|-----------|-----------------------------------|
| 11 | | 5517250 | Leg |
| 12 | S 04 | 1101840 | Selector Switch |
| | | 1101890 | Selector Switch |
| 13 | | 5319450 | Knob, selector |
| 14 | | 2200560 | 2P Input Terminal |
| | | 7008420 | Front Panel Ass'y |
| | | 5305661 | Dial Window |
| 15 | | 5446460 | Smoked Plate (Blue Filter) |
| | | 0030060 | Display Unit |
| 16 | | 0319060 | LED Stereo Indicator (RED) |
| | | 0319050 | LED Quartz Lock Indicator (GREEN) |
| 17 | | 7116110 | Dial Pointer |
| 18 | | 0319270 | LED Peak Indicator (2) |
| | | 0319280 | LED Peak Indicator (3) |

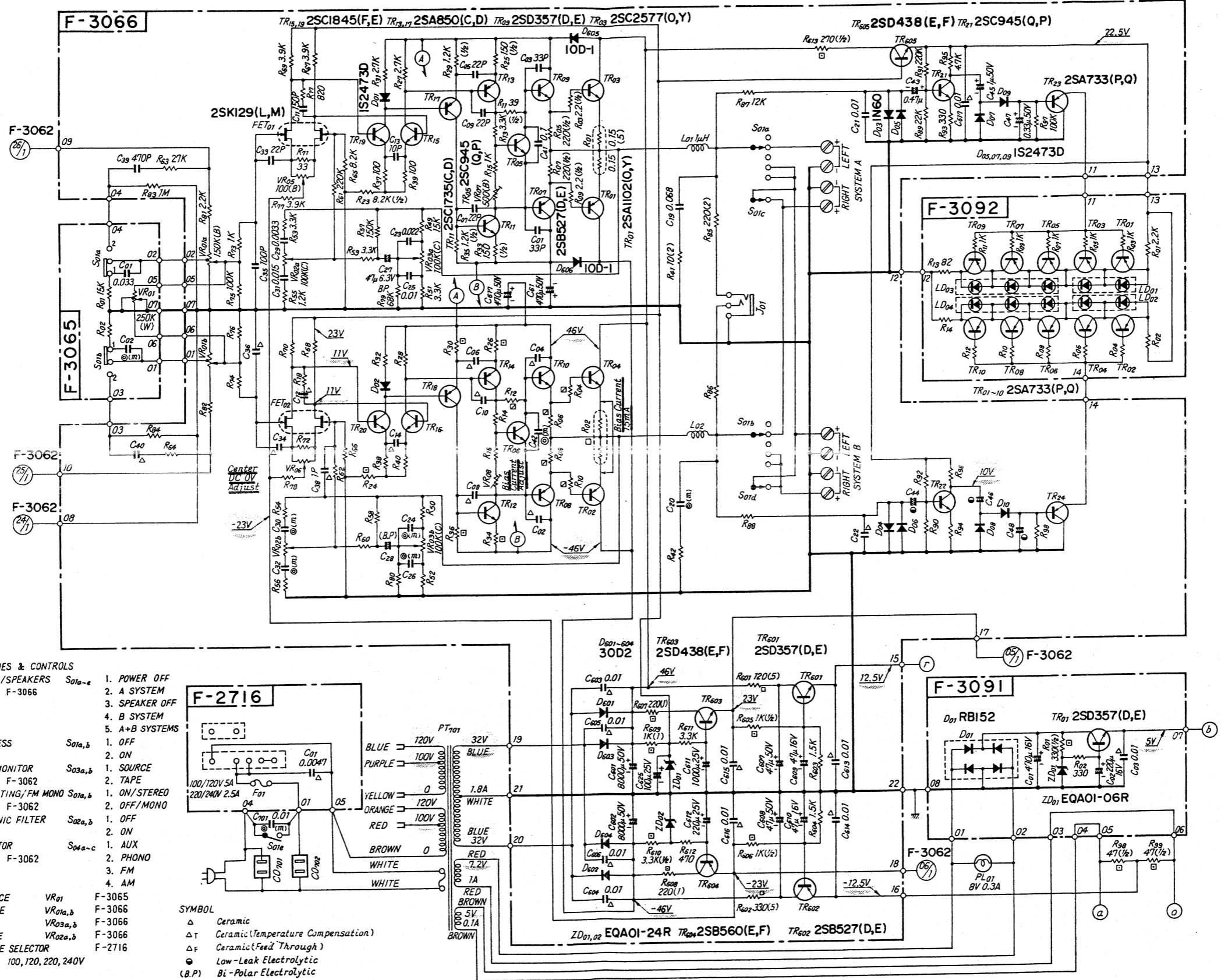
| No. | Parts No. | Stock No. | Description |
|-----|-----------|------------|------------------------|
| 1 | | 3800470, 1 | Power Cord |
| | | 3910600 | Strain Relief |
| 2 | | 2450070 | AC Outlet |
| 3 | PT 701 | 4003110 | Power Transformer |
| 4 | C 701 | 0659801 | 0.01 μ F 150V C.C. |
| 5 | PL 01 | 5616220 | Capacitor Cover |
| 6 | | 0400710 | Lamp 8V 300 mA |
| 7 | | 7136101 | Tension Unit |
| | | 6146760 | Pulley |

A B C D

7. SCHEMATIC DIAGRAM 7-1. Audio Section

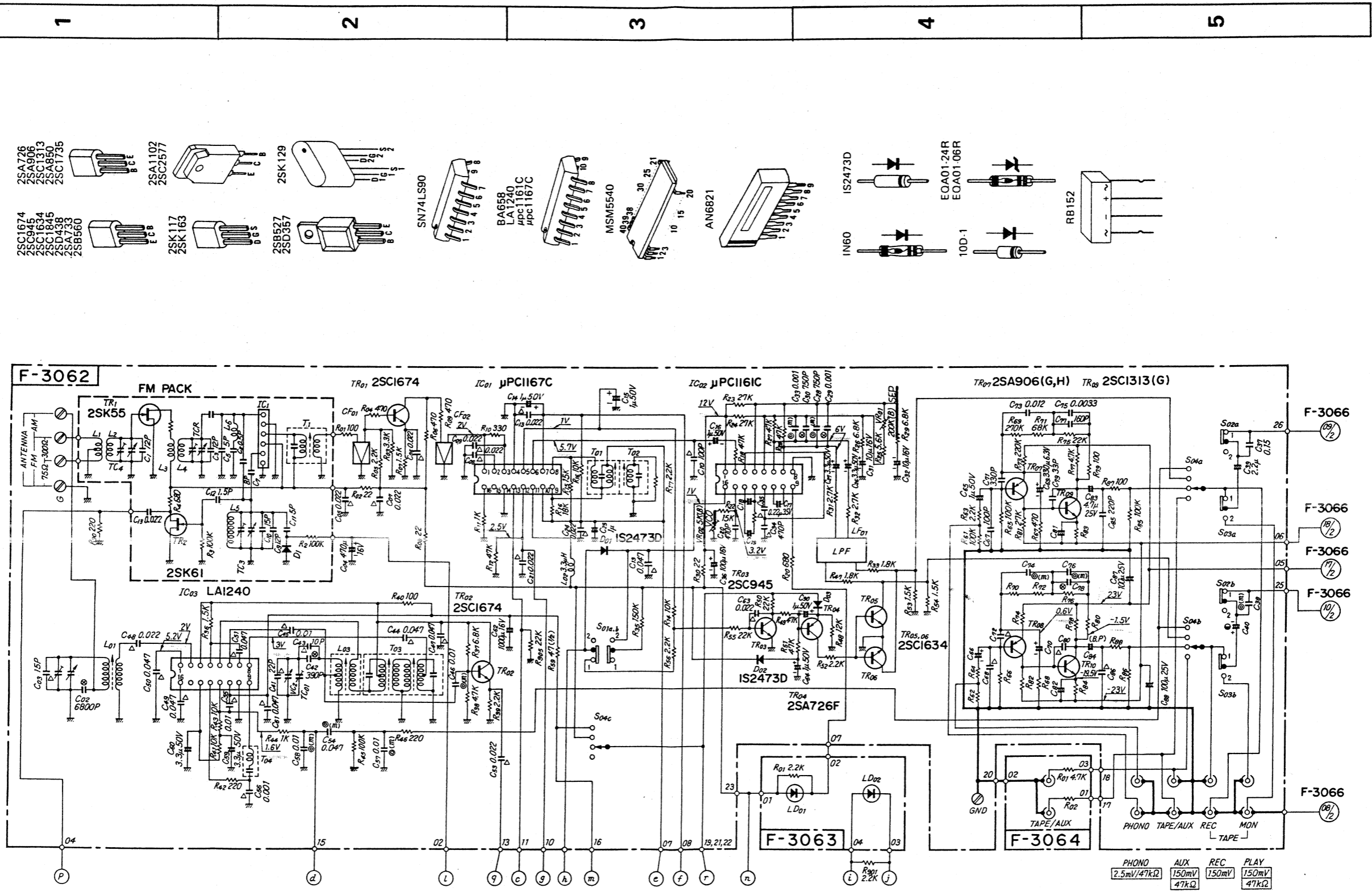
- SWITCHES & CONTROLS
POWER/SPEAKERS S01a-e F-3066
LOUDNESS S01a,b
TAPE MONITOR S03a,b F-3062
FM MUTING/FM MONO S01a,b F-3062
SUBSONIC FILTER S02a,b
SELECTOR S04a-c F-3062
- BALANCE VR01 F-3065
VOLUME VR01a,b F-3066
BASS VR03a,b F-3066
TREBLE VR02a,b F-3066
VOLTAGE SELECTOR 100, 120, 220, 240V F-2716

- SYMBOL
- △ Ceramic
 - △ Ceramic (Temperature Compensation)
 - △ Ceramic (Feed Through)
 - Low-Leak Electrolytic
 - (B.P) Bi-Polar Electrolytic
 - (Ta) Tantalum Electrolytic
 - ⊙(m) Mylar
 - ⊙ Polystyrene
 - ⊠ Fusing Resistor
 - ⊠ Non-Inflammable Resistor
 - ⊠ Cement Resistor



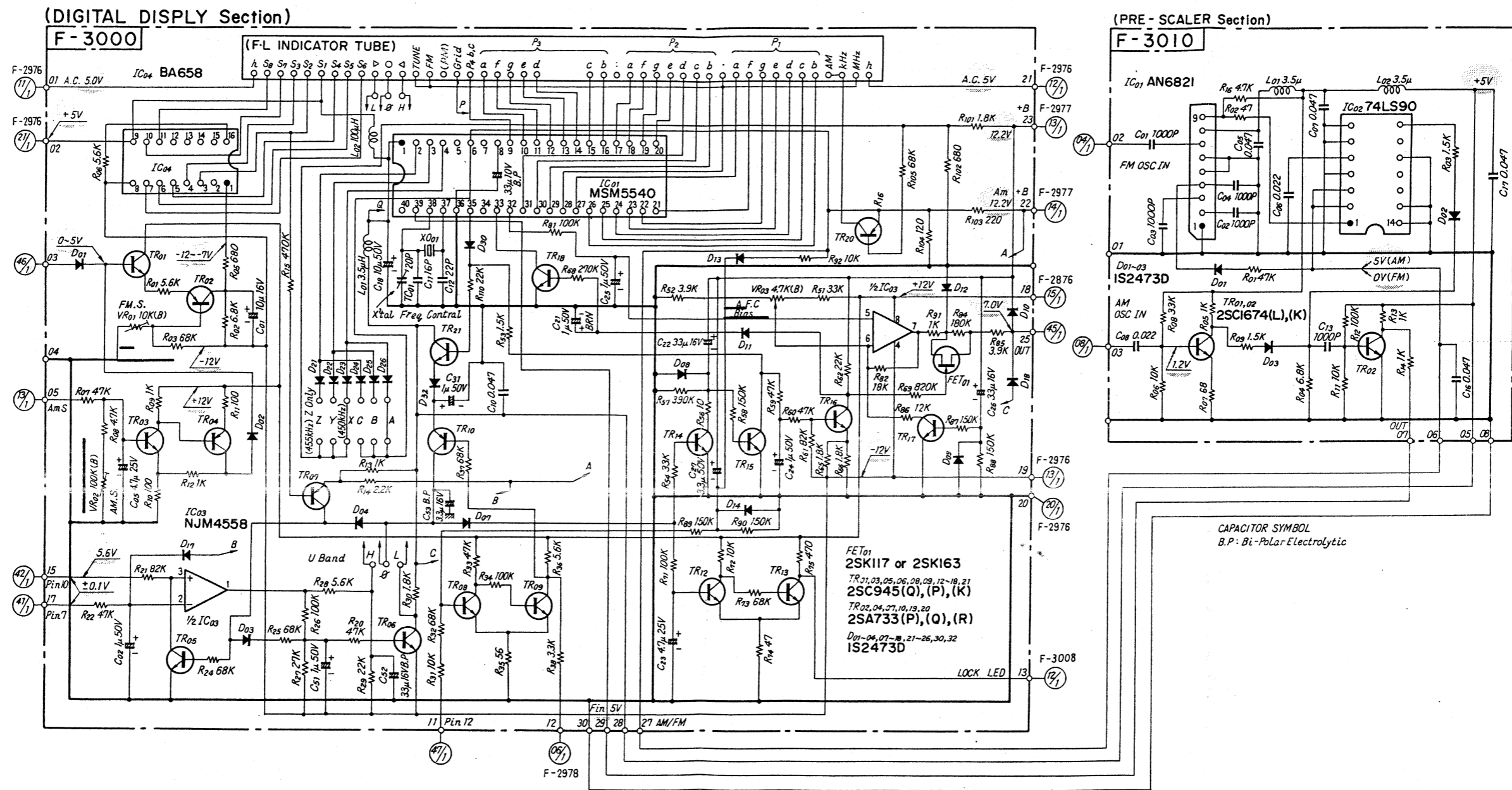
Design and specifications subject to change without notice for improvement.
 La présentation et les spécifications sont susceptibles d'être modifiées sans préavis par suites d'améliorations éventuelles.
 Änderungen, die dem technischen Fortschritt dienen, bleiben vorbehalten.

7-2. Tuner Section



| | | | |
|------------|-------|-------|-------|
| PHONO | AUX | REC | PLAY |
| 2.5mV/47kΩ | 150mV | 150mV | 150mV |
| | 47kΩ | | 47kΩ |

7-3. Display Section



D

C

B

A

1

2

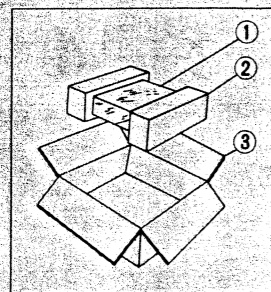
3

4

5

8. PACKING LIST

| Parts No. | Stock No. | Description |
|-----------|-----------|-------------------|
| 1 | 9116780 | Vinyl Cover |
| 2 | 9028090 | Styrofoam Packing |
| 3 | 9001941 | Carton Case |



9. ACCESSORY PARTS LIST

| Stock No. | Description |
|-----------|------------------------|
| 9205040 | Operating Instructions |
| 9238230 | Schematic Diagram |
| 3820100 | FM Antenna |

SANSUI ELECTRONICS CORPORATION: 1250 Valley Brook Ave. Lyndhurst, N.J. 07071 U.S.A.
 333 West Alondra Blvd. Gardena, California 90247 U.S.A.
 3036 Koapaka St. Honolulu, Hawaii 96819 U.S.A.
 SANSUI AUDIO EUROPE N.V.: North Trade Bldg (9th floor) Noorderlaan 133-Bus 1, 2030 Antwerp, Belgium
 SNASUI AUDIO EUROPE S.A.: Arabella center, 6 Frankfurt AM Main, Lyoner Strasse 44-48, West Germany
 SANSUI ELECTRIC COMPANY LTD.: 14-1, Izumi 2-chome, Suginamiku, Tokyo 168 Japan PHONE: (03) 323-1111/TELEX: 232-2076