

TEAC®

CW1560

**S
E
R
V
I
C
E
M
A
N
U
A
L**


①

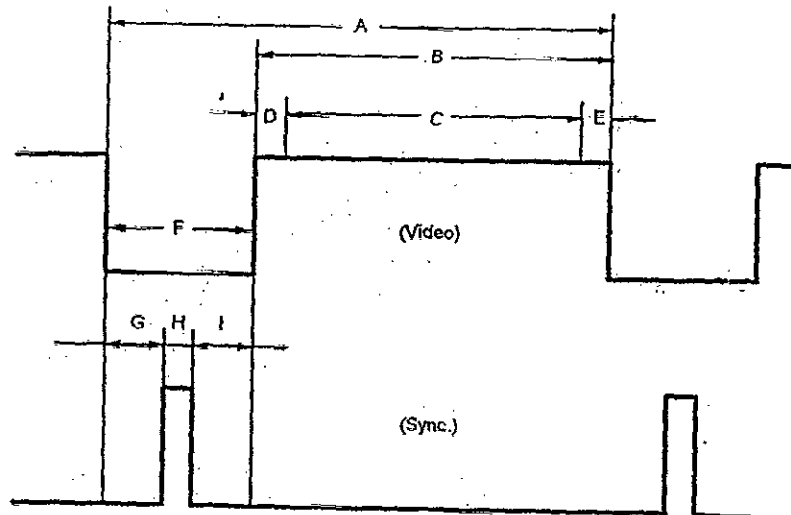
30/4/90

TABLE OF CONTENTS

A. Brief Specification.....	A-1 ~ A-2
B. Important Servicing Precautions.....	B-1 ~ B-2
C. Location of Controls.....	C-1
D. Circuit Description.....	D-1 ~ D-3
E. General Adjustment.....	E-1
F. Block Diagram.....	F-1 ~ F-4
G. Trouble Shooting Guide.....	G-1 ~ G-5
H. Parts List.....	H-1 ~ H-13

A. SPECIFICATIONS:

1. SCREEN 15", 0.28mm, Filter Glass
2. POWER SOURCE 120V 60Hz
220V 50Hz
3. POWER CONSUMPTION Max. < 90W
4. INPUT SIGNAL
VIDEO Analog R. G. B. : 0.7Vpp (positive)
SYNC TTL level, H, V separate, positive or negative polarity.
5. INTERFACE 15 Pin D type connector
6. RESOLUTION 1024 X 768 pixels (Non-interlace)
7. RECOMMENDED TIMING CHART



Item	Description:
A	Total time
B	Active display area including borders
C	Active display area excluding borders
D	Left/Top border
E	Right/bottom border
F	Blanking time
G	Frontporch
H	Sync-width
I	Backporch

Mode No.		1	2	3	4	5	6
		VGA 3.15K	VGA 31.5K	VESA 37.9K	VESA 46.9K	VESA 53.6K	VESA 48.4K
H-Resolution	[px]	720	640	800	800	800	1024
V-Resolution	[Lines]	400	480	600	600	600	768
Pixelclock	[MHz]	28.322	25.175	40.000	49.500	56.250	65.000
H-Frequency	[kHz]	31.468	31.468	37.879	46.875	53.674	48.363
V-Frequency	[Hz]	70.090	59.940	60.317	75.000	85.061	60.000
Interface		NONE	NONE	NONE	NONE	NONE	NONE
H-Sync-polarity		-	-	+	+	+	-
V-Sync-polarity		+	-	+	+	+	-
H-total	[us]	31.778	31.778	26.400	21.333	18.631	20.677
H-active display	[us]	26.061	26.061	20.000	16.162	14.222	15.750
H-active w/o border	[us]	25.421	25.421	20.000	16.162	14.222	15.750
H-left border	[us]	0.32	0.32	0	0	0	0
H-right border.	[us]	0.32	0.32	0	0	0	0
H-blanking	[us]	5.72	5.72	6.400	5.171	4.409	4.919
H-Frontporch	[us]	0.318	0.318	1.000	0.323	0.569	0.369
H-Sync-width	[us]	3.810	3.810	3.200	1.616	1.138	2.090
H-Backporch	[us]	1.589	1.589	2.200	3.232	2.702	2.460
V-total	[ms]	14.268	16.683	16.579	13.333	11.756	16.666
V-active display	[ms]	13.156	15.762	15.840	12.800	11.179	15.880
V-active w/o border	[ms]	12.712	15.253	15.840	12.800	11.179	15.880
V-top border	[ms]	0.222	0.254	0	0	0	0
V-bottom border	[ms]	0.222	0.254	0	0	0	0
V-blanking	[ms]	1.112	0.922	0.739	0.533	0.578	0.786
V-Frontporch	[ms]	0.159	0.064	0.026	0.021	0.019	0.062
V-Sync-width	[ms]	0.06356	0.06356	0.106	0.064	0.056	0.124
V-Backporch	[ms]	0.889	0.794	0.607	0.448	0.503	0.600

8. DISPLAY SIZE

H: 270 ± 5 mm
V: 200 ± 5 mm

9. OPERATION TEMPERATURE

0-40 degree C

10. DIMENSION

	Without Packaging	Including Packaging
Width	362 mm	452 mm
Height	352 mm	463 mm
Depth	390 mm	482 mm

11. WEIGHT

Net : 12.2 Kgs
Gross: 14.2 Kgs

B. IMPORTANT SAFETY INSTRUCTION

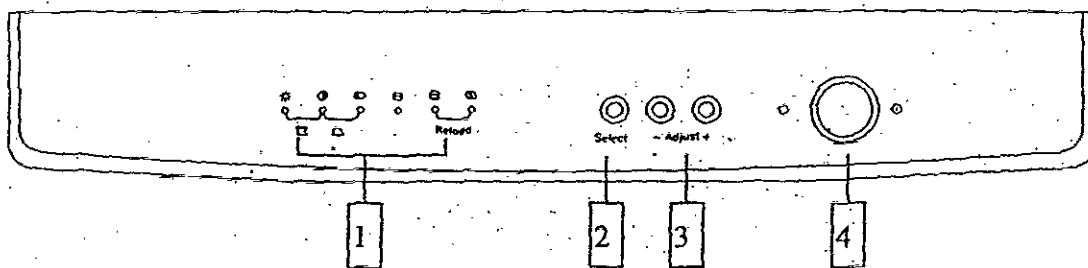
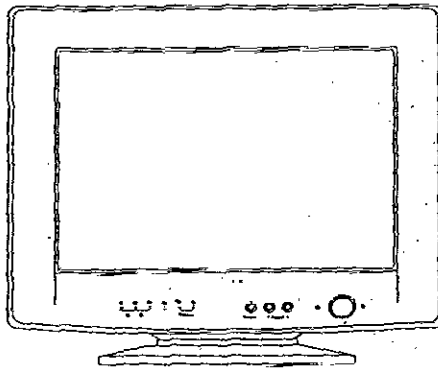
Prior to using this manual, please ensure that you have carefully followed all the procedures outlined in the user's manual for product.

1. Read all of these instructions.
2. Save these instructions for later use.
3. Follow all warnings and instructions marked on the product.
4. Unplug this product from the wall outlet before cleaning. Do not use liquid cleaners or aerosol cleaners. Use a damp cloth for cleaning.
5. Do not use this product near water.
6. Do not place this product on an unstable car, stand or table. The product may fall, causing serious damage to the product.
7. Slots and openings in the cabinet and the back or bottom are provided for ventilation; to ensure reliable operation of the product and to protect it from overheating, those openings must not be blocked or covered. The openings should never be blocked by placing the product on a bed, sofa, rug, or other similar surface. This product should never be placed near or over a radiator or heat register. This product should not be placed in a built-in installation unless proper ventilation is provided.
8. This product should be operated from the type of power source indicated on the marketing label. If you are not sure of the type of power available, consult your dealer or local power company.
9. This product is equipped with a 3-wire grounding type plug, a plug having a third (grounding) pin. This plug will only fit into a grounding-type power outlet. This is a safety feature. If you are unable to insert the plug into the outlet, contact your electrician to replace your obsolete outlet. Do not defeat the purpose of the grounding-type plug.
10. Do not allow anything to rest on the power cord. Do not locate this product where persons will walk on the cord.
11. If an extension cord is used with this product, make sure that the total of the ampere ratings on the products plugged into the extension cord do not exceed the extension cord ampere rating. Also, make sure that the total of all products plugged into the wall outlet does not exceed 15 amperes.
12. Never push objects of any kind into this product through cabinet slots as they may touch dangerous voltage points or short out parts that could result in a risk of fire or electric shock. Never spill liquid of any kind on the product.
13. Do not attempt to service this product yourself, as opening or removing covers may expose you to dangerous voltage points or other risks. Refer all servicing to service personnel.

14. Unplug this product from the wall outlet and refer servicing to qualified service personnel under the following conditions:

- A. When the power cord or plug is damaged or frayed.
- B. If liquid has been spilled into the product.
- C. If the product has been exposed to rain or water.
- D. If the product does not operate normally when the operating instructions are followed. Adjust only those controls that are covered by the operating instructions since improper adjustment of other controls may result in damage and will often require extensive work by a qualified technician to restore the product to normal operation.
- E. If the product has been dropped or the cabinet has been damaged.
- F. If the product exhibits a distinct change in performance, indicating a need for service.

CONTROL LOCATION ON FRONT PANEL



1. Function Indicator LED

2. Select Key

3. Adjust +, - Key

4. Power Switch

* Outlook subject to change without prior notice.

D. CIRCUIT DESCRIPTION

1. Power circuit

The power circuit includes the start up, mode control operation, and OCP circuit. Please refer to the circuit diagram.

a) Start up circuit

The R908 and R909 provide the start up current of I901.

The turn-on and turn off thresholds of under-voltage lockout circuit in I901 are fixed internally at 16V and 10V respectively.

At start-up, C911 must be charged to 16V with a current no less than 1mA.

b) Current-mode control operation

As B+ of I901 (Pin 7) more than 16V, it has square waveform on the totem-pole output (Pin 6) which can be operated to +/- 1 Amp peak for driving the gate of MOSFET Q901. The current sensing resistor R915 senses the primary current waveform for current-mode PWM control and total output power limit.

c) OCP

As mentioned above the current sensing resistor R915 can limit the total power output. The voltage level of auxiliary power winding will drop with the secondary load increment. The auxiliary power voltage will be too low to drive the I901 at heavy overload output condition. Then the I901 will be shut down after start up repeatedly.

d) LED Indicator CKT

When it's power on micon. control Q911 provide voltage 5V which make green LED on ; When it's without H-syn or V-syn pulsing, micon control Q910 make amber LED on, at this moment LED will become yellow ; When it's without H-syn and V-syn pulsing micon control Q910 make LED amber.

e) Degauss CKT

Micon control Q902, Q903 and RL901 on make current pass by POR901 and ADG coil is degaussing achieved.

2. Horizontal circuit

a) Horizontal first stage circuit

The main function of this stage have horizontal synchronization, free-running oscillation, AFC and horizontal-phase adjustment.

a-1 Free-running oscillation.

Free-running oscillation is handled by the voltage decided by pin 12 of I601.

a-2 Horizontal synchronization.

If input a sync pulse to Pin 17 of I601 synchronization is achieved.

a-3 Horizontal-phase adjustment

The I601 internal circuit also has the horizontal-phase adjustment function. It is easy to add and change a DC voltage to Pin 15 of I601 complete this function.

b) Side-pin and H-size control circuit

Parabola signal from pin 36 of I601 to I701 is the side-pin control CKT. I701, Q717, Q718, Q719 complete the H-size adjusting.

c) Horizontal pre-driver circuit and driver circuit

The main function of these stage is to supply enough energy to horizontal output circuit. Q703 are pre-driver circuit. T701 is driver circuit.

d) Horizontal output stage circuit

Horizontal output stage circuit belongs to diode modulation type. Q704, D702, 701, C718, C719, T701, T702, C727 are main parts of this circuit.

e) Horizontal B+ step up circuit

In order to keep the same high voltage of CRT and horizontal raster size, it must supply different B+ voltage according to different horizontal frequency. B+ voltage is positively proportional to the horizontal frequency. And the horizontal B+ step up circuit has this function. I601, Q710, Q715, Q716, D711, L701 and C744 are main parts of this circuit.

f) Spot killer circuit

It have very bright line or dot on the CRT screen when power turns off instantaneously, The spot killer circuit can avoid this defect. The main parts of this circuit are Q711, D720, C741, I701, Pin 8-10, ZD704, ZD705.

g) X-ray protection circuit

It will emit x-ray and It will be harmful to human body when anode voltage of CRT is too high, The x-ray protection circuit can shut down the horizontal pulse to avoid x-ray emission. ZD702, D718 are main parts of this circuit.

h) Blanking circuit Q600 for Vert.

3. Vertical circuit

The vertical circuit includes pre-driver circuit, output circuit and vertical-size preset circuit, and vertical f to v circuit.

a) Vertical pre-driver circuit

* The function of pre-driver circuit have synchronization, free-running oscillation and sawtooth pulse producer.

* When input a vertical sync signal to pin 34 of I601 synchronization is achieved. by I601's internal circuit.

* The internal circuit of I601 also has the sawtooth pulse generator.

b) Vertical output circuit and vertical-size preset circuit

* I602 is a vertical output IC. It implements the current amplifier function.

* When input a DC voltage to Pin 31 of I601, It can decide the vertical raster size.

If the DC voltage is higher, the vertical raster size is larger.

4. Video circuit

The video circuit three major portions

a) Video pre-Amp

I201 TLS1233N may control video pre-Amp by means of micro circuit.

b) Video amplifier circuit

I201 used as a pre-AMP which include contrast control, and clamp function.

Q202+Q203, Q232+Q233, Q262+Q263 are cascodes for final-AMP VR225, VR255, VR285 are bias control.

c) ABL Control Circuit

Q301, D303 are Control I201 PIN 10 Contrast Voltage.

5. MICRO CIRCUIT

A short description of the key related IC's is given below :

a) MCU: o001 Weltrend WT6014 (VSTKM511-0—)

The WT6014 Contains 8-bit CPU, 4K bytes ROM, 128 bytes RAM, 14PWMs, Parallel I/O, SYNC. processor, timer, DDC interface (VESA DDC1/DDC2B standard). and Watchdog timer.

a-1 SYNC. Input: I001 pin 39 is H-sync. Input, pin 40 is V-sync.

a-2 SYNC. Output: I001 pin 32 is V-sync.(+), pin 33 is H-sync.(-).

a-3 CS1, CS2 Control: I001 pin 29 is CS1 pin 30 is CS2 as the following table

	CS1	CS2
28 Khz < HF < 34 KHz	1	1
34 Khz < HF < 43 KHz	0	1
43 Khz < HF < 55 KHz	0	0
55 Khz < HF	0	0

a-4 PMUO, PMUS Control: I001 pin 10 is PMUO, pin 11 is PMUS as the following table.

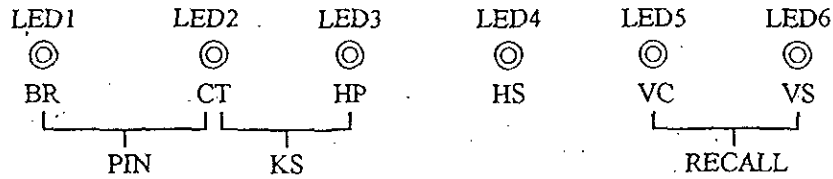
	PMUO	PMUS
NORMAL	1	1
STAND-BY	1	0
SUSPEND	1	0
OFF	0	0

a-5 Mute generate: I001 pin 31 at mode change .power on/off power saving output 1.5 second plus.

a-6 H-Size, H-Phase, V-Center, V-Size, Side-Pin, Keystone, Brigness, Contrast: The I001 pin 1, 2, 3, 34, 35, 36, 37, 38 output DC voltage 0~5V or 0~8V.

a-7 Function, Adjuat(+), (-) Keyboard: I001 pin 12, 13, 14.

a-8 Function LED indicator: I001 pin 17, 18, 19, 20, 21, 22 the indicator as the following table.



a-9 DDC1/DDC2B Read: The I001 pin 24, 25 is read DDC data.

a-10 E² PROM Read, Write: The I001 pin 27, 28 is read or wried data, the I001 pin 23 is write protection at hight voltage 5V.

E. GENERAL ADJUSTMENT

1. B+ 55V adjustment : VR901
 - a) Connect the positive lead of multi-meter to D915 (-), negative lead to chassis ground.
 - b) Adjust VR901 to obtain a 55V reading.

2. High Voltage adjustment : VR701
 - a) Turn off the power and connect the positive lead of high voltage voltmeter to the tube anode, negative lead to Chassis Ground.
 - b) Turn on the power of display at least 15 minutes.
 - c) Adjust VR701 to obtain a 24KV reading.

3. Internal H-size adjustment: VR703
 - a) Display fh: 37.8Khz mode.
 - b) Micro H-size key push max.
 - c) Adjust VR703 at H-size full scan.

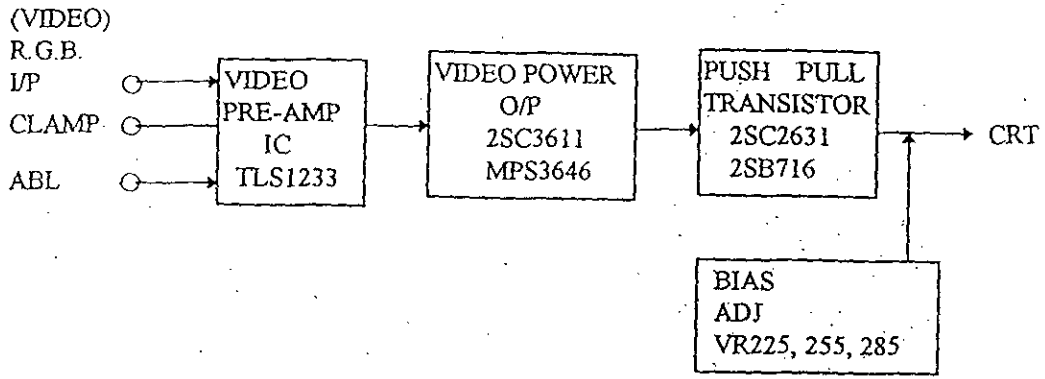
4. Parallelogram adjustment: VR603
 - a) Display closs7atch pattern.
 - b) Adjust VR603 can be horizontal line vertical line closs (90°).

5. Focus adjustment:
 - a) Display any character all over the screen.
 - b) Set contrast max. and brightness in cut off position.
 - c) Adjust focus VR until the 1/4 and 3/4 position of center Horizontal line of the picture is sharpest.

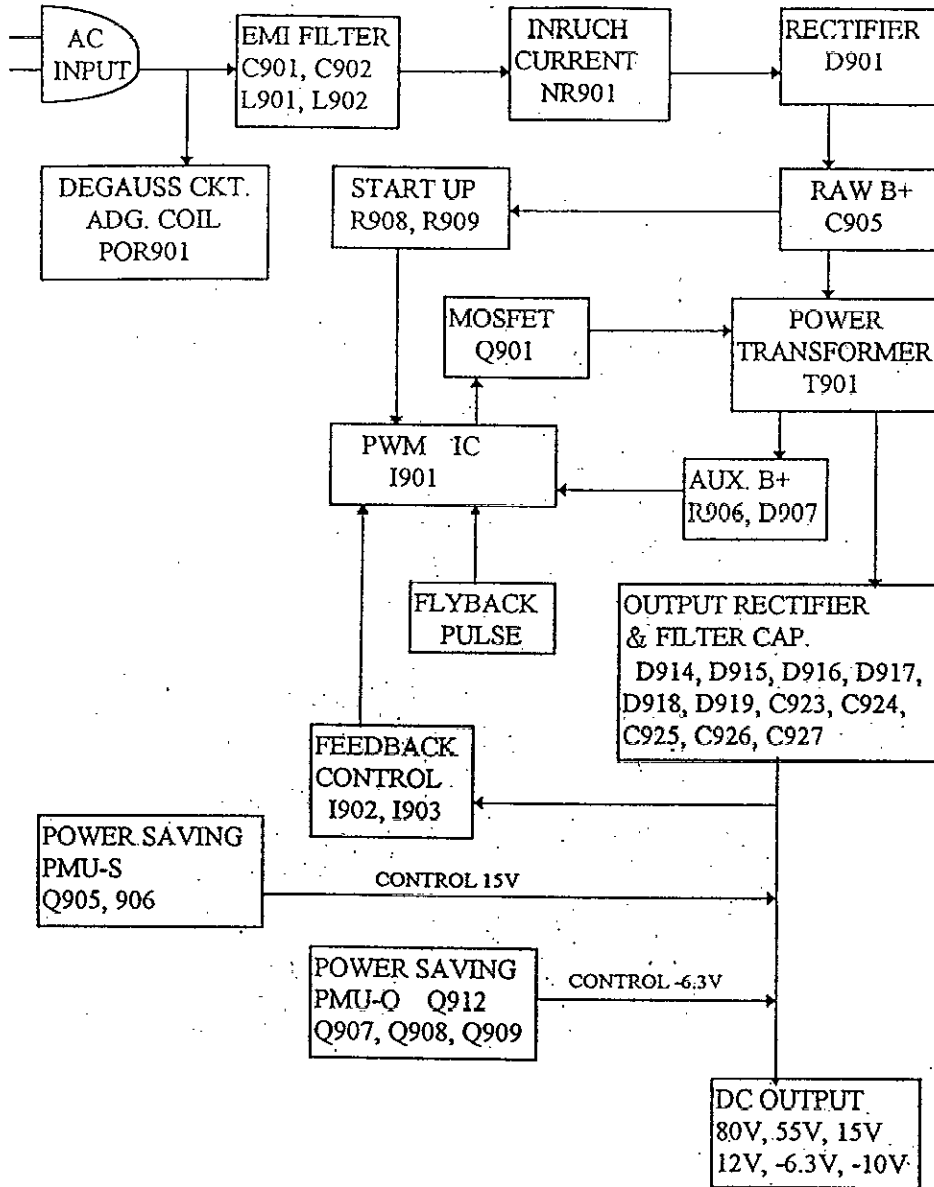
6. Background white balance adjustment: VR225, VR255, VR285
 - a) Set all bias VR to counter-clock wise max and let the raster be invisible.
 - b) Display black pattern (all video signals are disabled) and adjust SCREEN VR until the raster just appear to see which color comes out first (red, green or blue colors).
 - c) Adjust bias VR of the other 2 colors to get gray raster. (9300K + 27 M.P.C.D)
 - d) Adjust SCREEN VR to let the gray raster no larger than 0.15 FT-L.

7. White balance adjustment:
 - a) Input the mosaic pattern and set contrast function to max..
 - b) Connect the probe of scope on G-Cathode.
 - c) Adjust VR261 to get G-color 38 Vp-p.
 - d) Adjust VR231, VR201 to get the white pattern (9300K + 27 M.P.C.D)

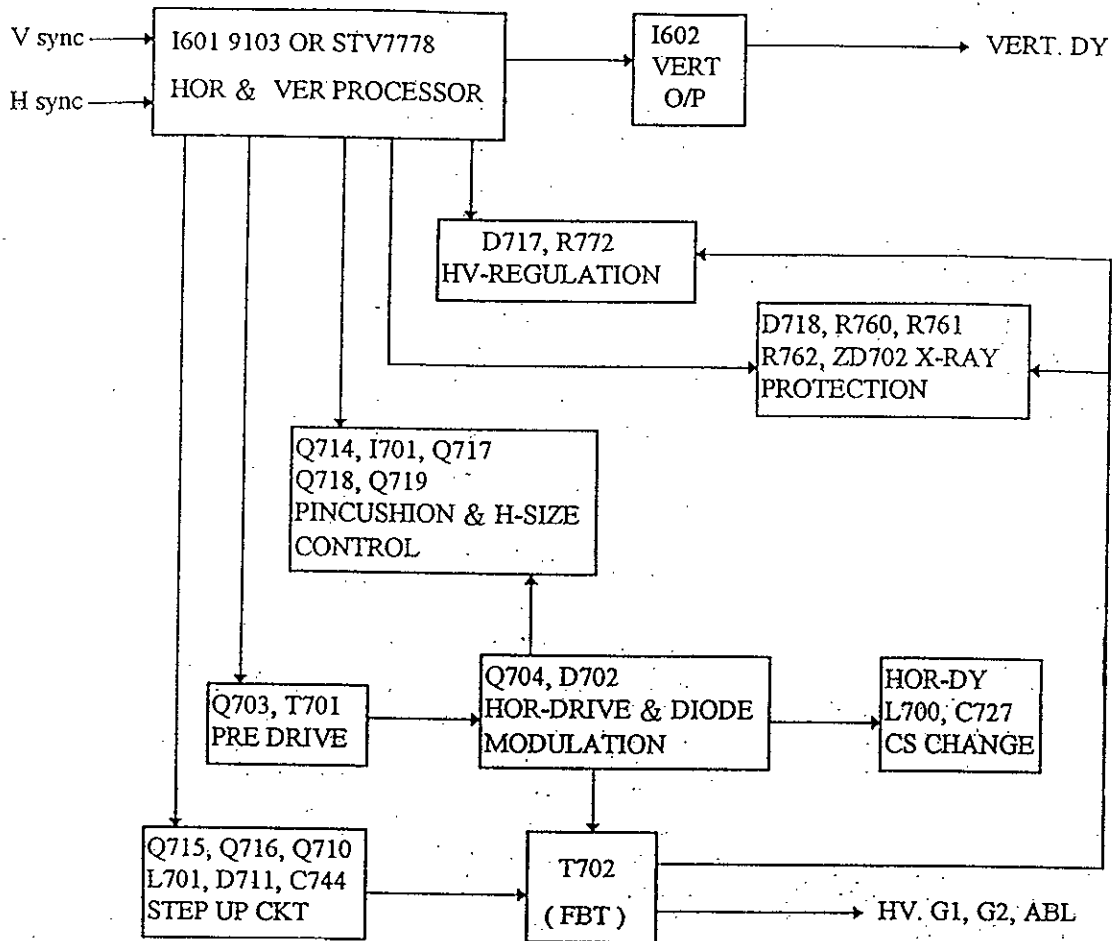
1. VIDEO DIAGRAM



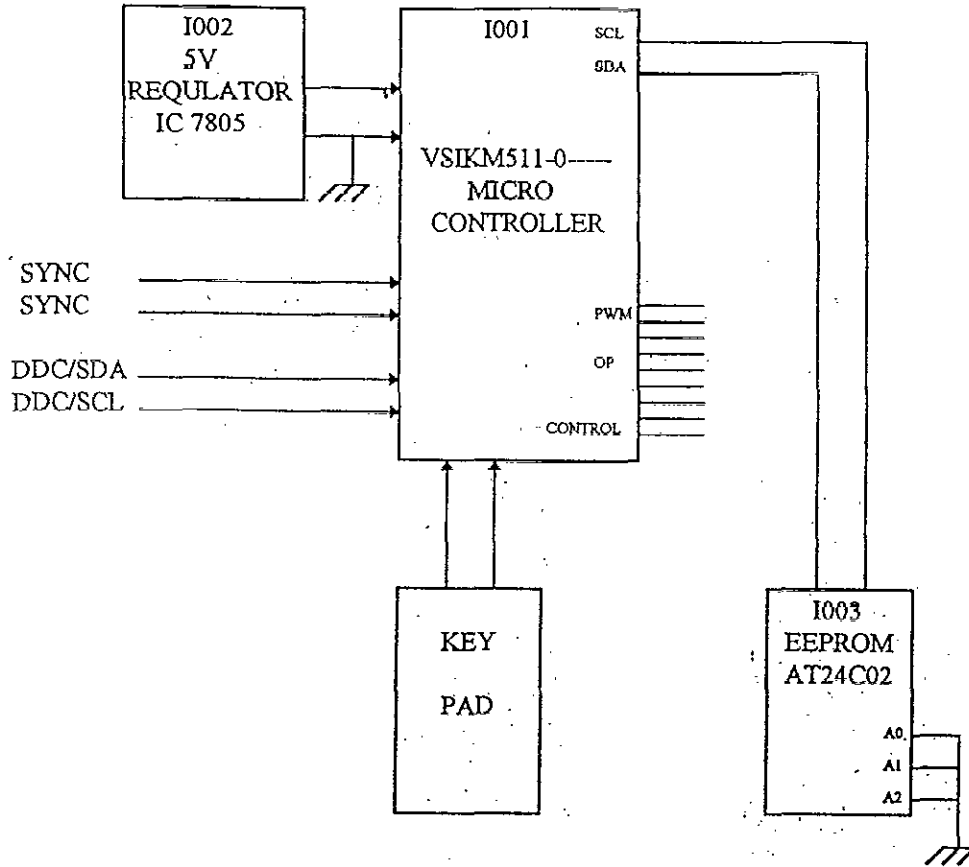
2. POWER BLOCK DIAGRAM



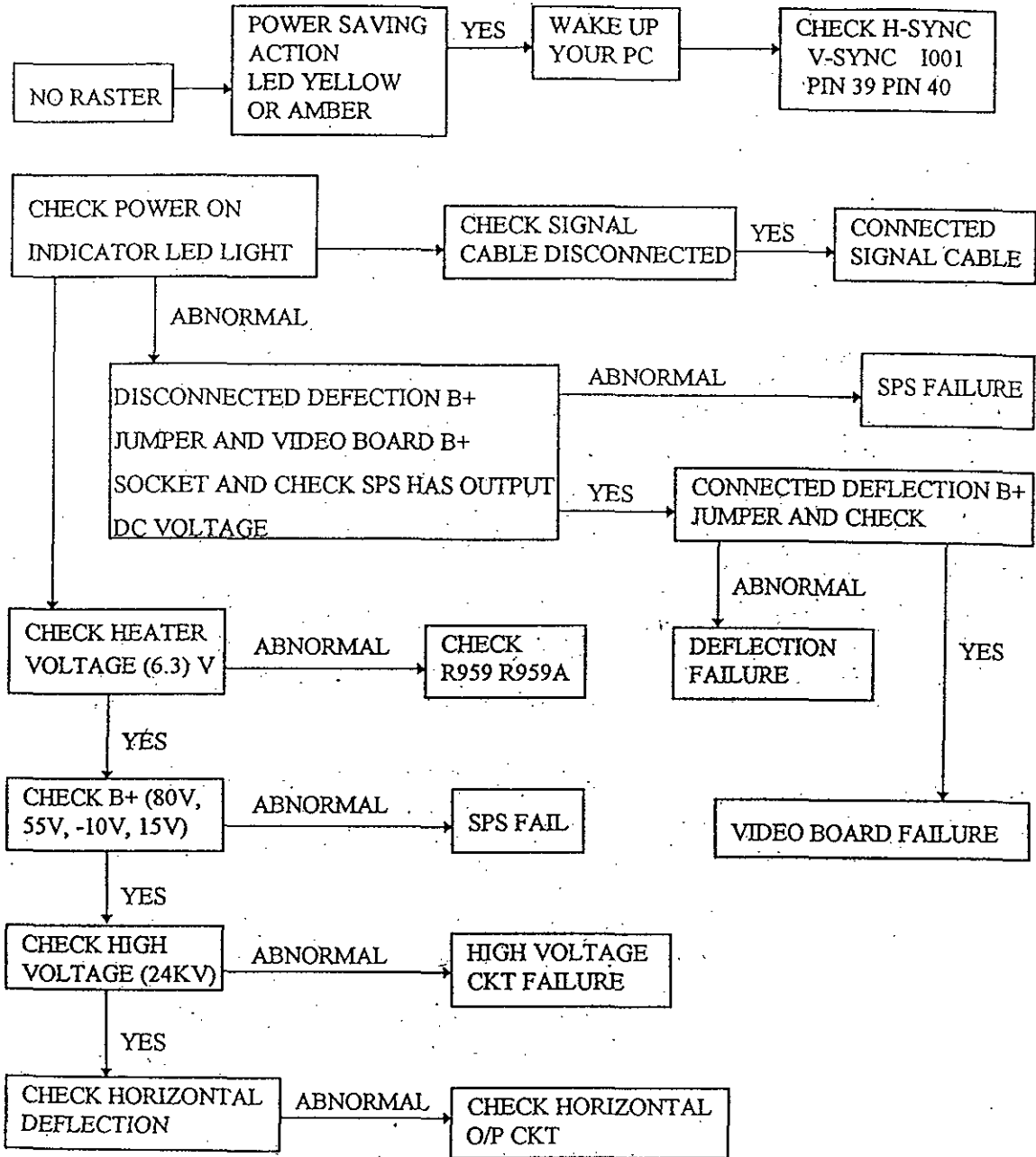
3. DEFLECTION

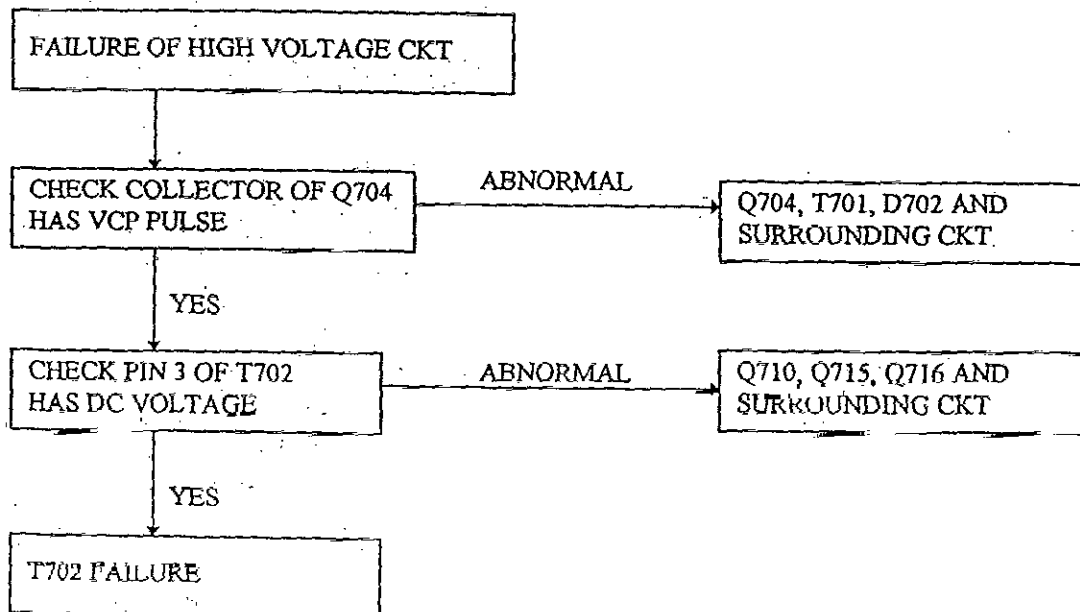
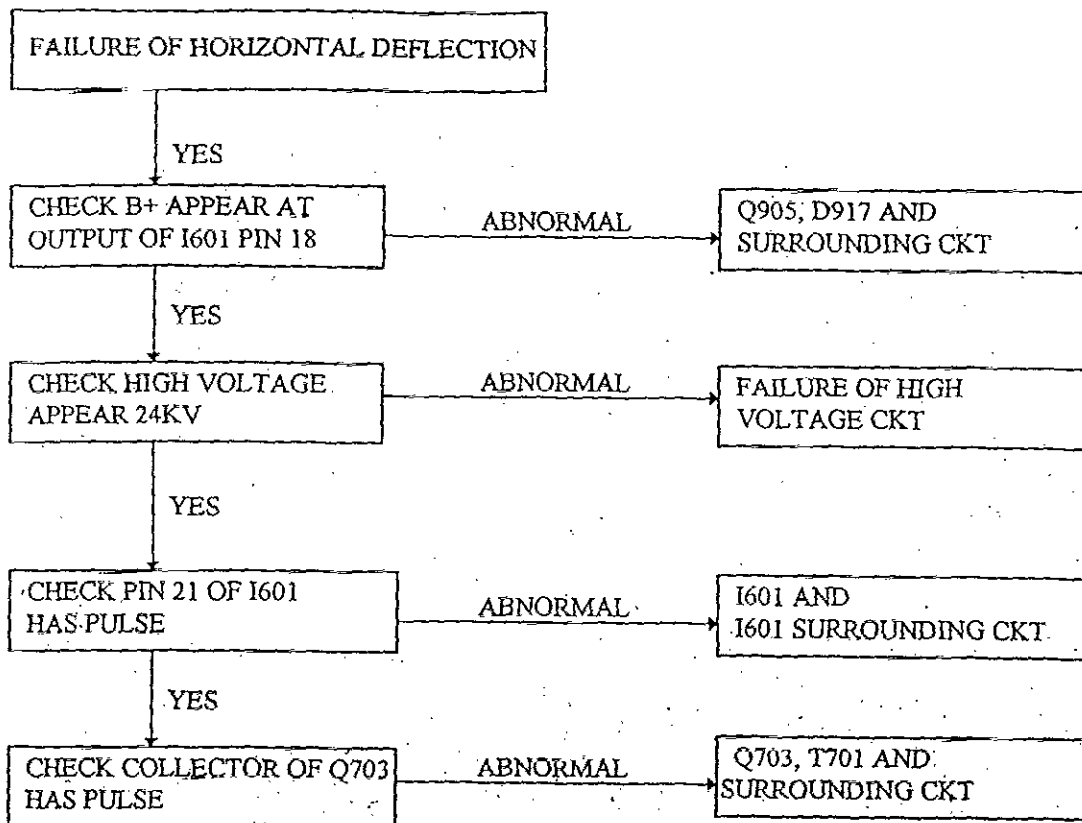


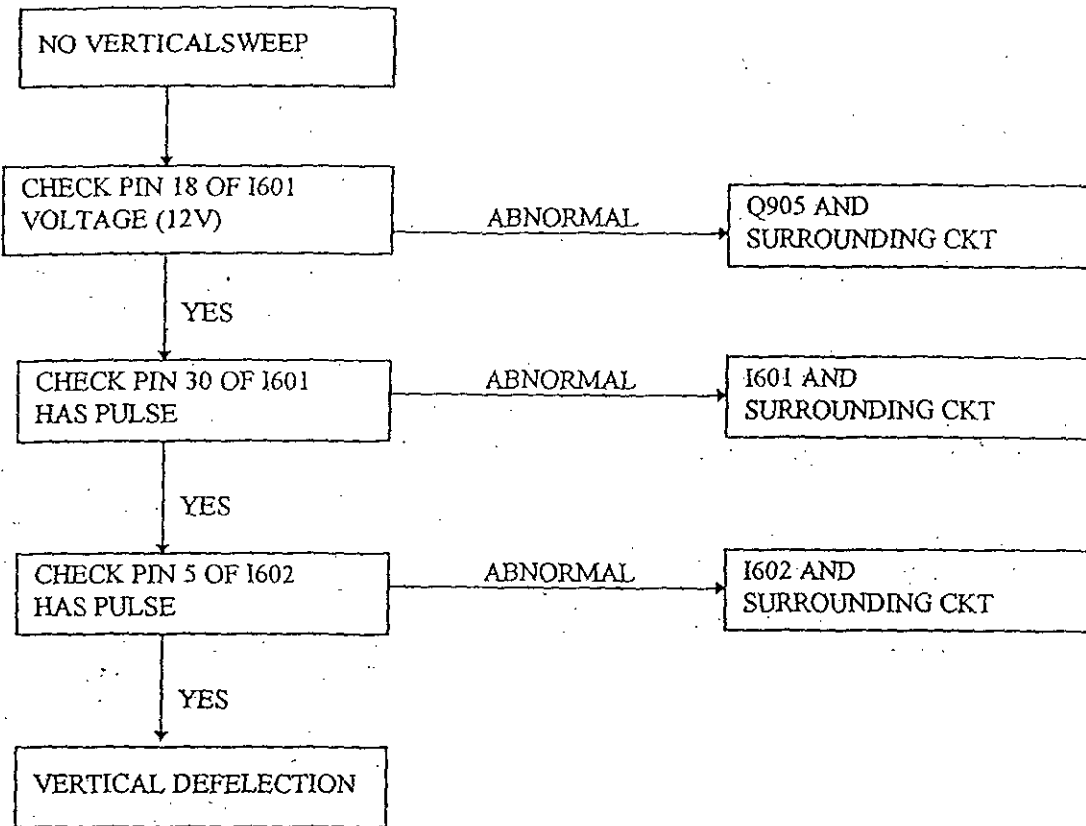
4. MICRO CIRCUIT BLOCK DIAGRAM

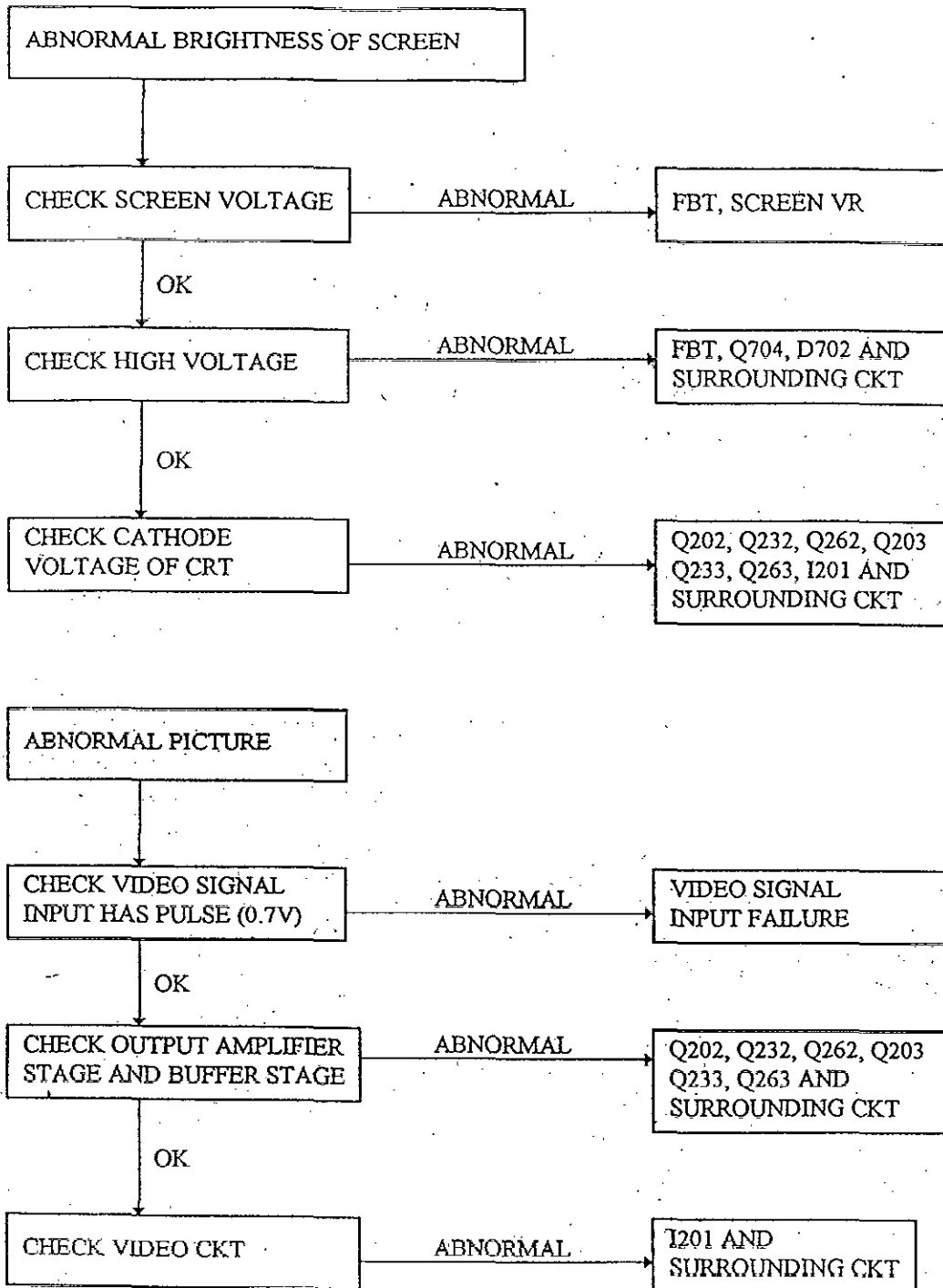


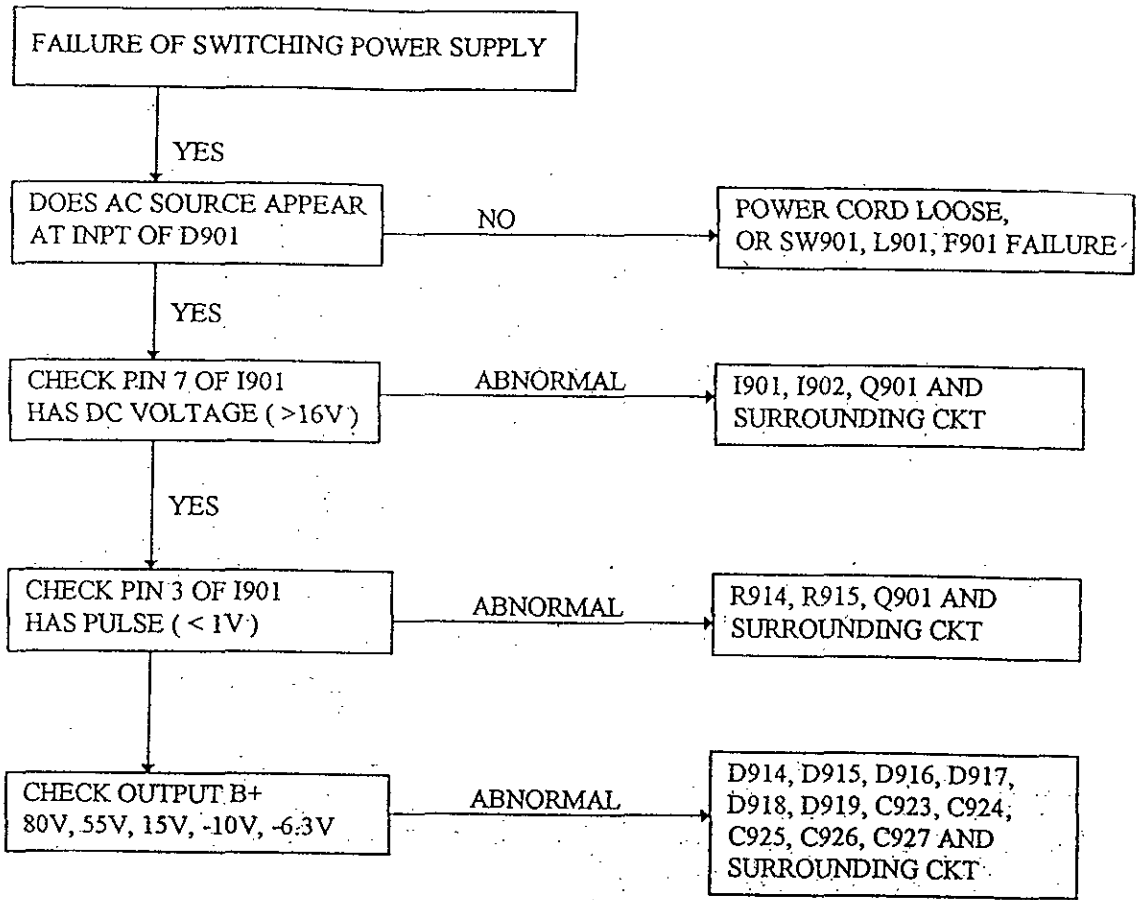
G. TROUBLE SHOOTING











	GCABA1383D8F--B	CAB-A
	GCABB1345D8F--E	CAB-B
	QACC-1121D8D-B-	AC Power Cord
	QCODS1172D8D---	Signal Cable
	QFSHC1002D8---A	Fuse Hold
	QPWB-2945D8--1-	Video Board
	QPWB-2944D8--2-	Main Board
	QSOCC1345D8----	CRT Socket
	QSOCC1339D8---A	Second Source
	RCILG1069D8---D	Degauss Coil
	SPAKA2471D8F---	Poly Foam
	SPAKC2467D8---E	Carton
	VBM36AES83X01--	CRT
B202	RCORA1022D8--HU	Bead Core
B202	RCORA1022D8--SU	Second Source
B232	RCORA1022D8--HU	Bead Core
B232	RCORA1022D8- SU	Second Source
B262	RCORA1022D8--HU	Bead Core
B262	RCORA1022D8--SU	Second Source
B301	RCORA1018T8--HA	Bead Core
B301	RCORA1018T8--SA	Second Source
B301	RCORA1018T8---A	Second Source
B302	RCORA1018T8--HA	Bead Core
B302	RCORA1018T8--SA	Second Source
B302	RCORA1018T8---A	Second Source
B303	RCORA1021D8--HA	Bead Core
B303	RCORA1021D8--SU	Second Source
B303	RCORA1021D8---U	Second Source
B701	RCORA1027D8---P	Bead Core
B702	QJUM-1045D8050-	Jumper
B703	RCORA1021D8--HU	Bead Core
B901	RCORA1021D8--HU	Bead Core
B901	RCORA1021D8--SU	Second Source
B901	RCORA1021D8---U	Second Source
B902	QJUM-1045D8100-	Jumper
B903	RCORA1021D8--HU	Bead Core
B903	RCORA1021D8--SU	Second Source
B903	RCORA1021D8---U	Second Source
B904	RCORA1018T8--S-	Bead Core
B904	RCORA1018T8--H-	Second Source
B905	RCORA1018T8--S-	Bead Core
B905	RCORA1018T8--H-	Second Source
B906	RCORA1021D8--HU	Bead Core
B906	RCORA1021D8--SU	Second Source
B906	RCORA1021D8---U	Second Source
C001	VCEACF1CG108M--	100 uF, 16V, 20%, Electrolytic
C002	VCSFDU1HY104Z-P	.1 uF, 50V, +80%-20%, Ceramic
C003	VCSFDU1HY104Z-P	.1 uF, 50V, +80%-20%, Ceramic
C004	VCEACU1CG227M-P	220 uF, 16V, 20%, Electrolytic
C005	VCDSDU1HL330J-P	33 pF, 50V, 5%, Ceramic
C006	VCDSDU1HL330J-P	33 pF, 50V, 5%, Ceramic
C007	VCDSDU1HL221J-P	220 pF, 50V, 5%, Ceramic
C008	VCDSDU1HL151J-P	150 pF, 50V, 5%, Ceramic
C009	VCEACU1HG475M-P	4.7 uF, 50V, 20%, Electrolytic
C012	VCEACU1HG474M-P	.47 uF, 50V, 20%, Electrolytic
C013	VCEACU1HG474M-P	.47 uF, 50V, 20%, Electrolytic
C014	VCEACU1HG474M-P	.47 uF, 50V, 20%, Electrolytic
C015	VCEACU1HG474M-P	.47 uF, 50V, 20%, Electrolytic
C016	VCEACU1HG474M-P	.47 uF, 50V, 20%, Electrolytic
C017	VCEACU1HG474M-P	.47 uF, 50V, 20%, Electrolytic
C018	VCEACU1HG474M-P	.47 uF, 50V, 20%, Electrolytic
C019	VCEACU1HG474M-P	.47 uF, 50V, 20%, Electrolytic

C020	VCEACU1HG474M-P	.47 uF, 50V, 20%, Electrolytic
C021	VCEACU1HG474M-P	.47 uF, 50V, 20%, Electrolytic
C022	VCSFDU1HY104Z-P	.1 uF, 50V, +80%-20%, Ceramic
C024	VCSFDU1HY104Z-P	.1 uF, 50V, +80%-20%, Ceramic
C025	VCSFDU1HY104Z-P	.1 uF, 50V, +80%-20%, Ceramic
C201	VCEACU1CG476M-P	47 uF, 16V, 20%, Electrolytic
C202	VCKBDU1HY103K-P	.01 uF, 50V, 10%, Ceramic
C203	VCSFDU1HY104Z-P	.1 uF, 50V, +80%-20%, Ceramic
C208	VCDSDU1HL470J-P	47 pF, 50V, 5%, Ceramic
C210	VCDSDU1HL470J-P	47 pF, 50V, 5%, Ceramic
C213	VCEACU2AG105M-P	1 uF, 100V, 20%, Electrolytic
C214	VCMEHF2AG104K--	.1 uF, 50V, 20%, Meta PP.
C215	VCKBDU2HY222K-P	2200 pF, 500V, 10%, Ceramic
C231	VCEACU1CG476M-P	47 uF, 16V, 20%, Electrolytic
C232	VCKBDU1HY103K-P	.01 uF, 50V, 10%, Ceramic
C233	VCSFDU1HY104Z-P	.1 uF, 50V, +80%-20%, Ceramic
C238	VCDSDU1HL470J-P	47 pF, 50V, 5%, Ceramic
C240	VCDSDU1HL470J-P	47 pF, 50V, 5%, Ceramic
C243	VCEACU2AG105M-P	1 uF, 100V, 20%, Electrolytic
C244	VCMEHF2AG104K--	.1 uF, 50V, 20%, Meta PP.
C245	VCKBDU2HY222K-P	2200 pF, 500V, 10%, Ceramic
C261	VCEACU1CG476M-P	47 uF, 16V, 20%, Electrolytic
C262	VCKBDU1HY103K-P	.01 uF, 50V, 10%, Ceramic
C263	VCSFDU1HY104Z-P	.1 uF, 50V, +80%-20%, Ceramic
C268	VCDSDU1HL470J-P	47 pF, 50V, 5%, Ceramic
C270	VCDSDU1HL470J-P	47 pF, 50V, 5%, Ceramic
C273	VCEACU2AG105M-P	1 uF, 100V, 20%, Electrolytic
C274	VCMEHF2AG104K--	.1 uF, 50V, 20%, Meta PP.
C275	VCKBDU2HY222K-P	2200 pF, 500V, 10%, Ceramic
C301	VCEACU1CG337M-P	330 uF, 16V, 20%, Electrolytic
C303	VCEACF2AG226M--	22 uF, 100V, 20%, Electrolytic
C304	VCSFDU1HY104Z-P	.1 uF, 50V, +80%-20%, Ceramic
C305	VCSFDU1HY104Z-P	.1 uF, 50V, +80%-20%, Ceramic
C308	VCSFDU1HY104Z-P	.1 uF, 50V, +80%-20%, Ceramic
C309	VCEACU1HG106M-P	10 uF, 50V, 20%, Electrolytic
C312	VCEACU1CG476M-P	47 uF, 16V, 20%, Electrolytic
C313	VCEACU1HG106M-P	10 uF, 50V, 20%, Electrolytic
C315	VCKBDU2HY101K-P	100 pF, 500V, 10%, Ceramic
C316	VCKBEF3AY102K--	1000 pF, 1KV, +80%-20%, Ceramic
C317	VCEACU1CG107M-P	100 uF, 16V, 20%, Electrolytic
C318	VCEACU1HG106M-P	10 uF, 50V, 20%, Electrolytic
C319	VCSFDU1HY104Z-P	.1 uF, 50V, +80%-20%, Ceramic
C601	VCSFDU1HY104Z-P	.1 uF, 50V, +80%-20%, Ceramic
C602	VCEACU1EG476M-P	47 uF, 25V, 20%, Electrolytic
C603	VCSFDU1HY104Z-P	.1 uF, 50V, +80%-20%, Ceramic
C604	VCMECU1JC224J9P	.22 uF, 1600V, 5%, Meta PP.
C605	VCEACU1HG105M-P	1 uF, 50V, 20%, Electrolytic
C606	VCKFDU1HY103Z-P	.01 uF, 50V, +80%-20%, Ceramic
C607	VCEACU1EG476M-P	47 uF, 25V, 20%, Electrolytic
C608	VCKFDU1HY103Z-P	.01 uF, 50V, +80%-20%, Ceramic
C609	VCKBDU1HY101K-P	100 pF, 50V, 10%, Ceramic
C610	VCEACF1VG227M--	220 uF, 35V, 20%, Electrolytic
C612	VCEACF1CG108M--	100 uF, 16V, 20%, Electrolytic
C613	VCKFDU1HY103Z-P	.01 uF, 50V, +80%-20%, Ceramic
C614	VCEACF1CG108M--	100 uF, 16V, 20%, Electrolytic
C615	VCKFDU1HY103Z-P	.01 uF, 50V, +80%-20%, Ceramic
C616	VCMECU1JC224J9P	.22 uF, 1600V, 5%, Meta PP.
C617	VCKFDU2HY103Z-P	.01 uF, 50V, +80%-20%, Ceramic
C618	VCEACU1HH105M-P	1 uF, 50V, 20%, Electrolytic
C619	VCEACU1HG474M-P	.47 uF, 50V, 20%, Electrolytic
C620	VCEACU1EG226M-P	22 uF, 25V, 20%, Electrolytic
C621	VCSFDU1HY104Z-P	.1 uF, 50V, +80%-20%, Ceramic
C622	VCSFDU1HY104Z-P	.1 uF, 50V, +80%-20%, Ceramic
C623	VCSFDU1HY104Z-P	.1 uF, 50V, +80%-20%, Ceramic

C901	VCMEBF7EG474MX-	.47 uF, 250V, 20%, Ceramic
C902	VCKFDF7BY222MX3	2200 pF, 125V, 20%, Ceramic
C903	VCKFDF7BY222MX3	2200 pF, 125V, 20%, Ceramic
C904	VCMEBF7EG224MX-	.22 uF, 250V, 20%, Ceramic
C905	VCEALS2GG157MA-	150 uF, 400V, 20%, Electrolytic
C906	VCKFEF3AY103Z--	.01 uF, 1KV, +80%-20%, Ceramic
C907	VCKBEF3AY331K--	330 pF, 1KV, 10%, Ceramic
C907A	VCKBEF3AY101K--	100 pF, 1KV, 10%, Ceramic
C909	VCKFDU2HY103Z-P	.01 uF, 50V, +80%-20%, Ceramic
C910	VCKFDU1HY103Z-P	.01 uF, 50V, +80%-20%, Ceramic
C911	VCEACU1VG476M-P	47 uF, 35V, 20%, Electrolytic
C912	VCKFDU1HY103Z-P	.01 uF, 50V, +80%-20%, Ceramic
C913	VCPPBU2AK472J9P	4700 pF, 100V, 5%, Polyester
C914	VCEACU1HG105M-P	1 uF, 50V, 20%, Electrolytic
C915	VCKBDU1HY102K-P	1000 pF, 50V, 10%, Ceramic
C916	VCKBDU1HY471K-P	470 pF, 50V, 10%, Ceramic
C917	VCKBDU1HY102K-P	1000 pF, 50V, 10%, Ceramic
C923	VCEACF2AH227MI-	220 uF, 100V, 20%, Electrolytic
C924	VCEACF2AG687M--	680 uF, 100V, 20%, Meta. PP. ic
C925	VCEACF1EG228M--	2200 uF, 25V, 20%, Electrolytic
C926	VCEACF1CG228M--	2200 uF, 16V, 20%, Electrolytic
C927	VCEACF1CG228M--	2200 uF, 16V, 20%, Electrolytic
C928	QJUM-1045D8075-	Jumper
C929	VCKFDF7BY222MX4	2200 pF, 125V, 20%, Ceramic
C931	VCEACU1EG107M-P	100 uF, 25V, 20%, Electrolytic
C932	VCEACF1CG108M--	100 uF, 16V, 20%, Electrolytic
C933	VCKFDU1HY103Z-P	.01 uF, 50V, +80%-20%, Ceramic
C934	VCEACU1CG227M-P	220 uF, 16V, 20%, Electrolytic
C935	VCRACU1HG474M-P	.47 uF, 50V, 20%, Electrolytic
D001	VSP5-537YGT-F--	Protect Diode
D002	VSP5-537YGT-F--	Protect Diode
D003	VSP5-537YGT-F--	Protect Diode
D004	VSP5-537YGT-F--	Protect Diode
D005	VSP5-537YGT-F--	Protect Diode
D006	VSP5-537YGT-F--	Protect Diode
D007	VSD1N4148-----U	General Diode
D008	VSD1N4148-----U	General Diode
D009	VSD1N4148-----U	General Diode
D010	VSD1N4148-----U	General Diode
D011	VSD1N4148-----U	General Diode
D012	VSD1N4148-----U	General Diode
D013	VSD1N4148-----U	General Diode
D014	VSD1N4148-----U	General Diode
D203	VSD1N4148-----U	General Diode
D205	VSD1N4148-----U	General Diode
D206	VSD1SS83-----U	General Diode
D208	VSD1N4148-----U	General Diode
D210	VSD1N4148-----U	General Diode
D230	VSD1N4148-----U	General Diode
D233	VSD1N4148-----U	General Diode
D235	VSD1N4148-----U	General Diode
D236	VSD1SS83-----U	General Diode
D238	VSD1N4148-----U	General Diode
D260	VSD1N4148-----U	General Diode
D263	VSD1N4148-----U	General Diode
D265	VSD1N4148-----U	Protect Diode
D266	VSD1SS83-----U	General Diode
D268	VSD1N4148-----U	General Diode
D303	VSD1N4148-----U	General Diode
D304	VSD1SS83-----U	General Diode
D600	VSD1N4001-----U	General Diode
D701	VSDUF4001-----U	General Diode
D702	VSDFMP-3FU---2-	Modulation Diode
D703	VSDRGP10M-----U	Rectified Diode

C626	VCEACU1CG107M-P	100 uF, 16V, 20%, Electrolytic
C7A0	VCSFDU1HY104Z-P	.1 uF, 50V, +80%-20%, Ceramic
C7A1	VCEACU1HG106M-P	10 uF, 50V, 20%, Electrolytic
C7A2	VCEACU1HG106M-P	10 uF, 50V, 20%, Electrolytic
C7A3	VCPPBU2AK102J9P	1000 pF, 100V, 5%, Polyester
C7A4	VCPELU1HG472J-P	4700 pF, 50V, 5%, Polyester
C7A5	VCPELU1HG472J-P	4700 pF, 50V, 5%, Polyester
C7A6	VCKBDU1HY102K-P	1000 pF, 50V, 10%, Ceramic
C7A7	VCEACF1CG228M--	2200 uF, 16V, 20%, Electrolytic
C7A8	VCMEQX2AG225K--	2.2 uF, 100V, 20%, Meta pp.
C7A9	VCSFDU1HY104Z-P	.1 uF, 50V, +80%-20%, Ceramic
C700	VCKFDU1HY103Z-P	.01 uF, 50V, +80%-20%, Ceramic
C701	VCPPBU2AK561J9P	560 pF, 100V, 5%, Polyester
C702	VCEACU1HG475M-P	4.7 uF, 50V, 20%, Electrolytic
C703	VCPELU1HG103J-P	.01 uF, 50V, 20%, Electrolytic
C704	VCPELU1HG104J-P	.1 uF, 50V, 20%, Electrolytic
C705	VCKFDU1HY103Z-P	.01 uF, 50V, +80%-20%, Ceramic
C706	VCEACU1CG227M-P	220 uF, 16V, 20%, Electrolytic
C707	VCEACU1HG106M-P	10 uF, 50V, 20%, Electrolytic
C708	VCPELU1HG332J-P	3300 pF, 50V, 20%, Electrolytic
C709	QJUM-1045D8050-	Jumper
C710	VCEACU1HG105M-P	1 uF, 50V, 20%, Electrolytic
C711	VCEACU1HG106M-P	10 uF, 50V, 20%, Electrolytic
C712	VCKBDU2HY102K-P	1000 pF, 500V, 10%, Ceramic
C713	VCEACF1JG107M--	100 uF, 63V, 20%, Electrolytic
C715	VCPELU1HG223J-P	.022 uF, 50V, 20%, Electrolytic
C716	VCMECU1JC224J9P	.22 uF, 1600V, 5%, Meta. PP.
C718	VCMPBF3CC472J9-	4700 pF, 1600V, 5%, Meta. PP.
C719	VCMPBF3AC682J9-	6800 pF, 1000V, 5%, Meta. PP.
C722	VCSFDU1HY104Z-P	.1 uF, 50V, +80%-20%, Ceramic
C727	VCMPBF2EC334J9-	.33 uF, 250V, 5%, Meta. PP.
C728	VCMPBF2EG394J9-	.39 uF, 250V, 5%, Meta. PP.
C729	VCMPBF2EC274J9-	.27 uF, 250V, 5%, Meta. PP.
C731	VCEACU1HG105M-P	1 uF, 50V, 20%, Electrolytic
C734	VCKFDU1HY103Z-P	.01 uF, 50V, +80%-20%, Ceramic
C736	VCKBDU1HY102K-P	1000 pF, 50V, 10%, Ceramic
C736A	VCKBDU1HY102K-P	1000 pF, 50V, 10%, Ceramic
C737	VCKBDU2HY102K-P	1000 pF, 500V, 10%, Ceramic
C738	VCEACU1EG107M-P	100 uF, 25V, 20%, Electrolytic
C739	VCEACU1CG107M-P	100 uF, 16V, 20%, Electrolytic
C741	VCEACF2EY106Y--	10 uF, 250V, 5%, Meta. PP.
C742	VCEACU1HG474M-P	.47 uF, 50V, 20%, Electrolytic
C743	VCEACU2AG106M-P	10 uF, 100V, 20%, Electrolytic
C744	VCEACF2EY226Y--	22 uF, 250V, 5%, Meta. PP.
C745	VCEACU1EG476M-P	47 uF, 25V, 20%, Electrolytic
C747	VCKBDU1HY332K-P	3300 pF, 50V, 10%, Ceramic
C748	VCENCU1HG225M-P	2.2 uF, 50V, 20%, Electrolytic
C749	VCKBDU1HY222K-P	2200 pF, 50V, 10%, Ceramic
C750	VCSFDU1HY104Z-P	.1 uF, 50V, +80%-20%, Ceramic
C751	VCEACF1JG107M--	100 uF, 63V, 20%, Electrolytic
C752	VCMEHF2EG684K--	.68 uF, 250V, 10%, Meta. Polyester
C754	VCKBDU2HY102K-P	1000 pF, 500V, 10%, Ceramic
C756	VCSFDU1HY104Z-P	.1 uF, 50V, +80%-20%, Ceramic
C757	VCSFDU1HY104Z-P	.1 uF, 50V, +80%-20%, Ceramic
C764	VCSFDU1HY104Z-P	.1 uF, 50V, +80%-20%, Ceramic
C765	VCKFDF2EY223Z--	.022 uF, 250V, +80%-20%, Ceramic
C765A	VCKFDU1HY103Z-P	.01 uF, 50V, +80%-20%, Ceramic
C766	VCKBDU1HY102K-P	1000 pF, 50V, 10%, Ceramic
C768	VCEACU1HG106M-P	10 uF, 50V, 20%, Electrolytic
C769	VCKFDU1HY103Z-P	.01 uF, 50V, +80%-20%, Ceramic
C772	VCDSDU1HL201J-P	200 pF, 50V, 5%, Ceramic
C773	VCSFDU1HY104Z-P	.1 uF, 50V, +80%-20%, Ceramic
C774	VCSFDU1HY104Z-P	.1 uF, 50V, +80%-20%, Ceramic
C776	VCMEHF2EG684K--	.68 uF, 250V, 10%, Meta. Polyester

C901	VCMEBF7EG474MX-	.47 uF, 250V, 20%, Ceramic
C902	VCKFDF7BY222MX3	2200 pF, 125V, 20%, Ceramic
C903	VCKFDF7BY222MX3	2200 pF, 125V, 20%, Ceramic
C904	VCMEBF7EG224MX-	.22 uF, 250V, 20%, Ceramic
C905	VCEALS2GG157MA-	150 uF, 400V, 20%, Electrolytic
C906	VCKFEF3AY103Z--	.01 uF, 1KV, +80%-20%, Ceramic
C907	VCKBEF3AY331K--	330 pF, 1KV, 10%, Ceramic
C907A	VCKBEF3AY1Q1K--	100 pF, 1KV, 10%, Ceramic
C909	VCKF DU2HY103Z-P	.01 uF, 50V, +80%-20%, Ceramic
C910	VCKF DU1HY103Z-P	.01 uF, 50V, +80%-20%, Ceramic
C911	VCEACU1VG476M-P	47 uF, 35V, 20%, Electrolytic
C912	VCKF DU1HY103Z-P	.01 uF, 50V, +80%-20%, Ceramic
C913	VCP PBU2AK472J9P	4700 pF, 100V, 5%, Polyester
C914	VCEACU1HG105M-P	1 uF, 50V, 20%, Electrolytic
C915	VCKBDU1HY102K-P	1000 pF, 50V, 10%, Ceramic
C916	VCKBDU1HY471K-P	470 pF, 50V, 10%, Ceramic
C917	VCKBDU1HY102K-P	1000 pF, 50V, 10%, Ceramic
C923	VCEACF2AH227MI-	220 uF, 100V, 20%, Electrolytic
C924	VCEACF2AG687M--	580 uF, 100V, 20%, Meta. PP. ic
C925	VCEACF1EG228M--	2200 uF, 25V, 20%, Electrolytic
C926	VCEACF1CG228M--	2200 uF, 16V, 20%, Electrolytic
C927	VCEACF1CG228M--	2200 uF, 16V, 20%, Electrolytic
C928	QJUM-1045D8075-	Jumper
C929	VCKFDF7BY222MX4	2200 pF, 125V, 20%, Ceramic
C931	VCEACU1EG107M-P	100 uF, 25V, 20%, Electrolytic
C932	VCEACF1CG108M--	100 uF, 16V, 20%, Electrolytic
C933	VCKF DU1HY103Z-P	.01 uF, 50V, +80%-20%, Ceramic
C934	VCEACU1CG227M-P	220 uF, 16V, 20%, Electrolytic
C935	VCEACU1HG474M-P	.47 uF, 50V, 20%, Electrolytic
D001	VSP5-537YGT-F--	LED
D002	VSP5-537YGT-F--	LED
D003	VSP5-537YGT-F--	LED
D004	VSP5-537YGT-F--	LED
D005	VSP5-537YGT-F--	LED
D006	VSP5-537YGT-F--	LED
D007	VSD1N4148----U	General Diode
D008	VSD1N4148----U	General Diode
D009	VSD1N4148----U	General Diode
D010	VSD1N4148----U	General Diode
D011	VSD1N4148----U	General Diode
D012	VSD1N4148----U	General Diode
D013	VSD1N4148----U	General Diode
D014	VSD1N4148----U	General Diode
D203	VSD1N4148----U	General Diode
D205	VSD1N4148-- --U	General Diode
D206	VSD1SS83-----U	General Diode
D208	VSD1N4148----U	General Diode
D210	VSD1N4148----U	General Diode
D330	VSD1N4148 ----U	General Diode
D233	VSD1N4148----U	General Diode
D235	VSD1N4148----U	General Diode
D236	VSD1SS83-----U	General Diode
D238	VSD1N4148----U	General Diode
D260	VSD1N4148----U	General Diode
D263	VSD1N4148----U	General Diode
D265	VSD1N4148-- --U	Protect Diode
D266	VSD1SS83-----U	General Diode
D268	VSD1N4148----U	General Diode
D303	VSD1N4148----U	General Diode
D304	VSD1SS83-----U	General Diode
D600	VSD1N4001----U	General Diode
D701	VSD1N4001 ----U	General Diode
D702	VSD FMP-3FU---2-	Modulation Diode
D703	VSD RGP10M----U	Rectified Diode

D706	VSD1N4148-----U	General Diode
D707	VSD1N4148-----U	General Diode
D709	VSDRGP10M-----U	Rectified Diode
D711	VSD31DF2-----	Rectifier Diode
D715	VSD1N4148-----U	General Diode
D716	VSD1N4148-----U	General Diode
D717	VSD1N4148-----U	General Diode
D718	VSDRGP10G-----U	Rectified Diode
D719	VSD1N4148-----U	General Diode
D720	VSDRGP10G-----U	Rectified Diode
D721	VSDRGP10G-----U	Rectified Diode
D723	VSD1N4148-----U	General Diode
D725	VSD1N4148-----U	General Diode
D730	VSD1N4148-----U	General Diode
D731	VSD1N4148-----U	General Diode
D733	VSD1N4148-----U	General Diode
D734	VSD1N4531-----U	General Diode
D735	VSD1N4148-----U	General Diode
D736	VSD1N4148-----U	General Diode
D737	VSD1N4148-----U	General Diode
D740	VSD1N4148-----U	General Diode
D741	VSD1N4148-----U	General Diode
D742	VSD1N4002-----U	General Diode
D901	RSRCB1048D8----	Power Rectifier Diode
D905	VSDBYV26E-----U	Rectified Diode
D906	VSDLYHER107---U	Rectified Diode
D907	VSDBYV95A-----U	Rectified Diode
D908	VSD1N4148-----U	General Diode
D909	VSD1N4148-----U	General Diode
D910	VSD1N4148-----U	General Diode
D914	VSDBYT56J-----H	Rectified Diode
D915	VSDUF5404-----H	Rectified Diode
D915	VSDLYHER305---H	Second Source
D915	VSDRU4ALFL1-----	Second Source
D916	VSDUF5404-----H	Rectified Diode
D916	VSDLYHER305---H	Second Source
D916	VSDRU4ALFL1-----	Second Source
D917	VSDBYT56D-----H	Rectified Diode
D918	VSDBYT56D-----H	Rectified Diode
D919	VSDBYT56D-----H	Rectified Diode
D922	VSP5-235YYGTF--	LED
D922	VSP5-235YYGTF--	Second Source
D923	VSD1N4148-----U	General Diode
F901	QFS-D402SD82XH-	250V, 4A Fuse Fast
GND	VCNCP4201-----U	1 Pin Plug
GND2	VCNCP0042-----A	Plug
G2	VCNCP4201-----U	1 Pin Plug
G2	RCORF1011D8--H-	Core
G2	RCORF1011D8----	Second Source
G4	RCORF1011D8--H-	Core
G4	RCORF1011D8----	Second Source
I001	VSIKM511-0-----	CPU
I002	VSIL7805GV---Y-	Regulator
I002	VSIMC7805CT----	Second Source
I002	VSIKA7805CT--8-	Second Source
I002	VSILM7805CT----	Second Source
I003	VSIAT24C0210PCB	E PROM
I201	VSITLS1233N--T-	Video Pre-Amp IC
I601	VSISTV7778---Y-	H-Preamplifier IC
I601	VSIX9103-5---Y-	Second Source
I602	VSITEA8172-----	Vertical Deflection
I700	VSI74LS221-----	Duty Control IC
I701	VSILM324N-----	Operational Amp. IC

I701	VSILM324N---T-	Second Source
I701	VSILM324N---M-	Second Source
I702	VSILM358P---T-	Operational Amp. IC
I702	VSILM358N-----	Second Source
I901	VSICA3842A---8-	Power Control IC
I902	VSPTLP721F-GRD-	Photo Coupler
I903	VSITL431CLP----	Triac
I904	VSICA7812CT--8-	Regulator
I904	VSIMC7812CT----	Second Source
I904	VSIL7812CV--Y-	Second Source
L200	VL-EH2R2M0000-U	Peaking Inductor 2.2 uH
L202	VL-EH2R2M0000-U	Peaking Inductor 2.2 uH
L230	VL-EH2R2M0000-U	Peaking Inductor 2.2 uH
L232	VL-EH2R2M0000-U	Peaking Inductor 2.2 uH
L260	VL-EH2R2M0000-U	Peaking Inductor 2.2 uH
L262	VL-EH2R2M0000-U	Peaking Inductor 2.2 uH
L700	RCILL1119D8----	H-Linear Coil
L701	RCHO-2688D8----	Chock
L702	VCNCP0102-PJST-	2 Pin Plug
L703	RCHO-2713D8----	Chock
L704	RCHO-2711D8----	Chock
L901	RCILF1080D8----	Line Filter
L902	RCILF1080D8----	Line Filter
NR901	VSHHCK103D8----	Thermistor
POR901	VSQDGC3R14M----	PTC
POR901	RS-QZ1003D8----	Second Source
P6	QTIP-1020-8---A	Pin
P002	VCNCP0042-JJST-	2 Pin Plug
P003	VCNCP0906REJST-	6 Pin Plug
P201	VCNCP0049-JJST-	9 Pin Plug
P202	VCNCP0905SEJST-	5 Pin Micro Plug
P701	VCNCP0907SEJST-	7 Pin Micro Plug
P902	VCNCP0012-----U	2 Pin Plug
Q200	VST2SC3611---6-	Driver Transistor
Q201	VSTMPS3646---P	Pre-Drive Transistor
Q202	VST2SC2631---6P	Buffer Transistor
Q203	VST2SB716D---HP	Buffer Transistor
Q230	VST2SC3611---6-	Driver Transistor
Q231	VSTMPS3646---P	Pre-Drive Transistor
Q232	VST2SC2631---6P	Buffer Transistor or
Q233	VST2SB716D---HP	Buffer Transistor
Q260	VST2SC3611---6-	Driver Transistor
Q261	VSTMPS3646---P	Pre-Drive Transistor
Q262	VST2SC2631---6P	Buffer Transistor or
Q263	VST2SB716D---HP	Buffer Transistor
Q301	VSTKSC1815Y--8P	ABL Control Transistor
Q301	VST2SC1815Y---P	Second Source
Q600	VSTKSC1815Y--8P	SW Transistor
Q600	VST2SC1815Y---P	Second Source
Q700	VST2N7000-----P	SW Mos
Q703	VST2SD667C---HP	H Pre-Amp Transistor
Q704	VST2SC5148---D-	H-Output Drive
Q710	VSTFS12KM-5--L-	Step Up Mos
Q711	VST2SB716D---HP	SW Transistor
Q714	VST2SA673C---P	Buffer Transistor
Q715	VST2SC1213C---P	Buffer Transistor
Q716	VST2SA673C---P	Buffer Transistor
Q717	VST2SD669AW----	H-Size Control Transistor
Q718	VST2SB716D---HP	SW Transistor
Q719	VST2SA968-----	H-Size Control Transistor
Q721	VSTIRF630----8-	SW Mos
Q722	VSTKSC1815Y--8P	SW Transistor
Q726	VSTKSC1815Y--8P	SW Transistor
Q726	VST2SC1815Y---P	Second Source

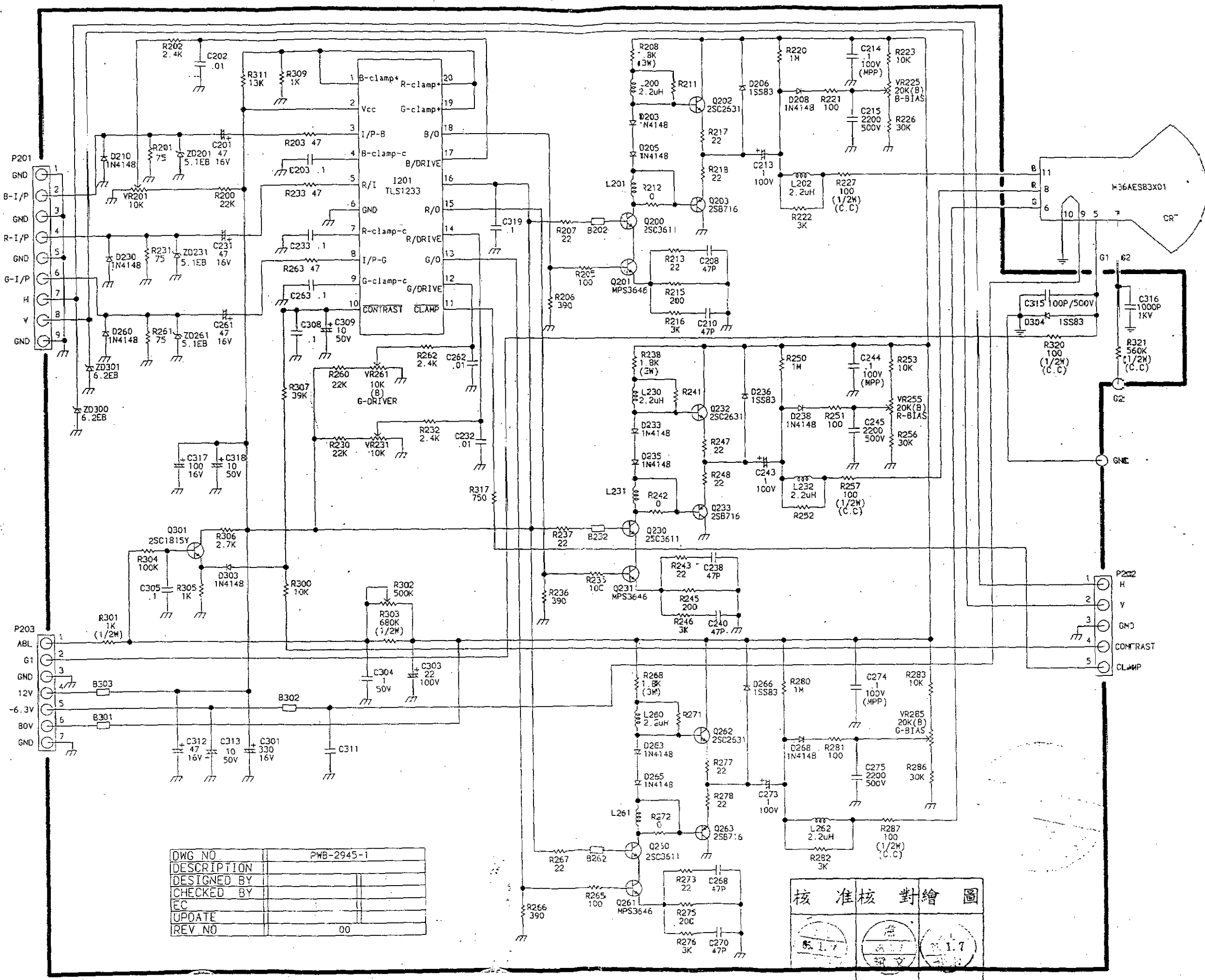
Q727	VSTDTC114ES--RP	SW Transistor
Q901	VST2SK2765-D1V-	Power Mos Switch Transistor
Q901	VST2SK2038---D-	Second Source
Q901	VST2SK727-01-V-	Second Source
Q905	VST2SA950Y---P	SW Transistor
Q906	VSTKSC1815Y--8P	SW Transistor
Q906	VST2SC1815Y---P	Second Source
Q907	VSTDTC114ES--RP	SW Transistor
Q908	VST2SA1015Y---P	P-N-P Transistor
Q909	VST2SD468C---P	SW Transistor
Q910	VSTKSC1815Y--8P	SW Transistor
Q910	VST2SC1815Y---P	Second Source
Q911	VSTKSC1815Y--8P	SW Transistor
Q911	VST2SC1815Y---P	Second Source
Q912	VSTDTC114ES--RP	SW Transistor
RL701	RRLYD1078D8DZJ-	Relay
RL901	VCKBEF3AY222K--	2200 pF, 1KV, +80%-20%, Ceramic
R002	VRMPTV4--472J-U	4.7K ohm, 1/4W, 5%, Metal Film
R003	VRMPTV4--472J-U	4.7K ohm, 1/4W, 5%, Metal Film
R004	VRMPTV4--472J-U	4.7K ohm, 1/4W, 5%, Metal Film
R005	VRMPTV4--472J-U	4.7K ohm, 1/4W, 5%, Metal Film
R006	VRMPTV4--472J-U	4.7K ohm, 1/4W, 5%, Metal Film
R007	VRMPTV4--472J-U	4.7K ohm, 1/4W, 5%, Metal Film
R008	VRMPTV4--472J-U	4.7K ohm, 1/4W, 5%, Metal Film
R010	VRMPTV4--472J-U	4.7K ohm, 1/4W, 5%, Metal Film
R011	VRMPTV4--303J-U	30K ohm, 1/4W, 5%, Metal Film
R012	VRMPTV4--303J-U	30K ohm, 1/4W, 5%, Metal Film
R013	VRMPTV4--303J-U	30K ohm, 1/4W, 5%, Metal Film
R014	VRMPTV4--303J-U	30K ohm, 1/4W, 5%, Metal Film
R015	VRMPTV4--303J-U	30K ohm, 1/4W, 5%, Metal Film
R016	VRMPTV4--303J-U	30K ohm, 1/4W, 5%, Metal Film
R017	VRMPTV4--303J-U	30K ohm, 1/4W, 5%, Metal Film
R018	VRMPTV4--303J-U	30K ohm, 1/4W, 5%, Metal Film
R020	VRMPTV4--472J-U	4.7K ohm, 1/4W, 5%, Metal Film
R021	VRMPTV4--472J-U	4.7K ohm, 1/4W, 5%, Metal Film
R022	VRMPTV4--472J-U	4.7K ohm, 1/4W, 5%, Metal Film
R023	VRMPTV4--472J-U	4.7K ohm, 1/4W, 5%, Metal Film
R024	VRMPTV4--272J-U	2.7K ohm, 1/4W, 5%, Metal Film
R025	VRMPTV4--472J-U	4.7K ohm, 1/4W, 5%, Metal Film
R026	VRMPTV4--472J-U	4.7K ohm, 1/4W, 5%, Metal Film
R027	VRMPTV4--101J-U	100 ohm, 1/4W, 5%, Metal Film
R028	VRMPTV4--101J-U	100 ohm, 1/4W, 5%, Metal Film
R029	VRMPTV4--101J-U	100 ohm, 1/4W, 5%, Metal Film
R030	VRMPTV4--101J-U	100 ohm, 1/4W, 5%, Metal Film
R031	VRMPTV4--101J-U	100 ohm, 1/4W, 5%, Metal Film
R032	VRMPTV4--101J-U	100 ohm, 1/4W, 5%, Metal Film
R033	VRMPTV4--101J-U	100 ohm, 1/4W, 5%, Metal Film
R034	VRMPTV4--331J-U	330 ohm, 1/4W, 5%, Metal Film
R035	VRMPTV4--331J-U	330 ohm, 1/4W, 5%, Metal Film
R036	VRMPTV4--331J-U	330 ohm, 1/4W, 5%, Metal Film
R037	VRMPTV4--331J-U	330 ohm, 1/4W, 5%, Metal Film
R038	VRMPTV4--331J-U	330 ohm, 1/4W, 5%, Metal Film
R039	VRMPTV4--331J-U	330 ohm, 1/4W, 5%, Metal Film
R040	QJUM-1045D8100-	Jumper
R041	VRMPTV4--101J-U	100 ohm, 1/4W, 5%, Metal Film
R042	VRMPTV4--101J-U	100 ohm, 1/4W, 5%, Metal Film
R043	VRMPTV4--101J-U	100 ohm, 1/4W, 5%, Metal Film
R046	VRMPTV4--472J-U	4.7K ohm, 1/4W, 5%, Metal Film
R047	VRMPTV4--472J-U	4.7K ohm, 1/4W, 5%, Metal Film
R048	VRMPTV4--472J-U	4.7K ohm, 1/4W, 5%, Metal Film
R049	VRMPTV4--472J-U	4.7K ohm, 1/4W, 5%, Metal Film
R050	VRMPTV4--472J-U	4.7K ohm, 1/4W, 5%, Metal Film
R051	VRMPTV4--472J-U	4.7K ohm, 1/4W, 5%, Metal Film
R052	VRMPTV4--103J-U	10K ohm, 1/4W, 5%, Metal Film

R053	VRMPTV4--103J-U	10K ohm, 1/4W, 5%, Metal Film
R054	VRMPTV4--103J-U	10K ohm, 1/4W, 5%, Metal Film
R055	VRMPTV4--103J-U	10K ohm, 1/4W, 5%, Metal Film
R056	VRMPTV4--103J-U	10K ohm, 1/4W, 5%, Metal Film
R057	VRMPTV4--103J-U	10K ohm, 1/4W, 5%, Metal Film
R058	VRMPTV4--103J-U	10K ohm, 1/4W, 5%, Metal Film
R059	VRMPTV4--103J-U	10K ohm, 1/4W, 5%, Metal Film
R060	VRMPTV4--103J-U	10K ohm, 1/4W, 5%, Metal Film
R061	VRMPTV4--103J-U	10K ohm, 1/4W, 5%, Metal Film
R062	VRMPTV4--103J-U	10K ohm, 1/4W, 5%, Metal Film
R063	VRMPTV4--104J-U	100K ohm, 1/4W, 5%, Metal Film
R064	VRMPTV4--101J-U	100 ohm, 1/4W, 5%, Metal Film
R065	VRMPTV4--101J-U	100 ohm, 1/4W, 5%, Metal Film
R066	VRMPTV4--101J-U	100 ohm, 1/4W, 5%, Metal Film
R068	VRMPTV4--101J-U	100 ohm, 1/4W, 5%, Metal Film
R069	VRMPTV4--103J-U	10K ohm, 1/4W, 5%, Metal Film
R070	VRMPTV4--101J-U	100 ohm, 1/4W, 5%, Metal Film
R071	VRMPTV4--101J-U	100 ohm, 1/4W, 5%, Metal Film
R072	VRMPTV4--101J-U	100 ohm, 1/4W, 5%, Metal Film
R074	VRCMTV2--470J-U	47 ohm, 1/2W, 5%, Carbon Film
R076	VRMPTV4--101J-U	100 ohm, 1/4W, 5%, Metal Film
R200	VRMPTV4--223J-U	22K ohm, 1/4W, 5%, Metal Film
R201	VRMPTV4--750J-U	75 ohm, 1/4W, 5%, Metal Film
R202	VRMPTV4--242J-U	2.4K ohm, 1/4W, 5%, Metal Film
R203	VRMPTV4--470J-U	47 ohm, 1/4W, 5%, Metal Film
R205	VRMPTV4--101J-U	390 ohm, 1/4W, 5%, Metal Film
R206	VRMPTV4--391J-U	390 ohm, 1/4W, 5%, Metal Film
R207	VRMPTV4--220J-U	22 ohm, 1/4W, 5%, Metal Film
R208	VRNMK03--182J--	1.8K ohm, 3W, 5%, Metal Oxide Film
R212	QJUM-1045D8100-	Jumper
R213	VRMPTV4--220J-U	22 ohm, 1/4W, 5%, Metal Film
R215	VRMPTV4--201J-U	200 ohm, 1/4W, 5%, Metal Film
R216	VRMPTV4--302J-U	3K ohm, 1/4W, 5%, Metal Film
R217	VRMPTV4--220J-U	22 ohm, 1/4W, 5%, Metal Film
R218	VRMPTV4--220J-U	22 ohm, 1/4W, 5%, Metal Film
R220	VRMPTV4--105J-U	1M ohm, 1/4W, 5%, Metal Film
R221	VRMPTV4--101J-U	390 ohm, 1/4W, 5%, Metal Film
R222	VRMPTV4--302J-U	3K ohm, 1/4W, 5%, Metal Film
R223	VRMPTV4--103J-U	10K ohm, 1/4W, 5%, Metal Film
R226	VRMPTV4--303J-U	30K ohm, 1/4W, 5%, Metal Film
R227	VRSPV2--101J-U	100 ohm, 1/2W, 5%, Carbon Composition Resistor
R230	VRMPTV4--223J-U	22K ohm, 1/4W, 5%, Metal Film
R231	VRMPTV4--750J-U	75 ohm, 1/4W, 5%, Metal Film
R232	VRMPTV4--242J-U	2.4K ohm, 1/4W, 5%, Metal Film
R233	VRMPTV4--470J-U	47 ohm, 1/4W, 5%, Metal Film
R235	VRMPTV4--101J-U	390 ohm, 1/4W, 5%, Metal Film
R236	VRMPTV4--391J-U	390 ohm, 1/4W, 5%, Metal Film
R237	VRMPTV4--220J-U	22 ohm, 1/4W, 5%, Metal Film
R238	VRNMK03--182J--	1.8K ohm, 3W, 5%, Metal Oxide Film
R242	QJUM-1045D8100-	Jumper
R243	VRMPTV4--220J-U	22 ohm, 1/4W, 5%, Metal Film
R245	VRMPTV4--201J-U	200 ohm, 1/4W, 5%, Metal Film
R246	VRMPTV4--302J-U	3K ohm, 1/4W, 5%, Metal Film
R247	VRMPTV4--220J-U	22 ohm, 1/4W, 5%, Metal Film
R248	VRMPTV4--220J-U	22 ohm, 1/4W, 5%, Metal Film
R250	VRMPTV4--105J-U	1M ohm, 1/4W, 5%, Metal Film
R251	VRMPTV4--101J-U	390 ohm, 1/4W, 5%, Metal Film
R253	VRMPTV4--103J-U	10K ohm, 1/4W, 5%, Metal Film
R256	VRMPTV4--303J-U	30K ohm, 1/4W, 5%, Metal Film
R257	VRSPV2--101J-U	100 ohm, 1/2W, 5%, Carbon Composition Resistor
R260	VRMPTV4--223J-U	22K ohm, 1/4W, 5%, Metal Film
R261	VRMPTV4--750J-U	75 ohm, 1/4W, 5%, Metal Film
R262	VRMPTV4--242J-U	2.4K ohm, 1/4W, 5%, Metal Film
R263	VRMPTV4--470J-U	47 ohm, 1/4W, 5%, Metal Film

R265	VRMPTV4--101J-U	390 ohm, 1/4W, 5%, Metal Film
R266	VRMPTV4--391J-U	390 ohm, 1/4W, 5%, Metal Film
R267	VRMPTV4--220J-U	22 ohm, 1/4W, 5%, Metal Film
R268	VRNMK03--182J--	1.8K ohm, 3W, 5%, Metal Oxide Film
R272	QJUM-1045D8100-	Jumper
R273	VRMPTV4--220J-U	22 ohm, 1/4W, 5%, Metal Film
R275	VRMPTV4--201J-U	200 ohm, 1/4W, 5%, Metal Film
R276	VRMPTV4--302J-U	3K ohm, 1/4W, 5%, Metal Film
R277	VRMPTV4--220J-U	22 ohm, 1/4W, 5%, Metal Film
R278	VRMPTV4--220J-U	22 ohm, 1/4W, 5%, Metal Film
R280	VRMPTV4--105J-U	1M ohm, 1/4W, 5%, Metal Film
R281	VRMPTV4--101J-U	390 ohm, 1/4W, 5%, Metal Film
R282	VRMPTV4--302J-U	3K ohm, 1/4W, 5%, Metal Film
R283	VRMPTV4--103J-U	10K ohm, 1/4W, 5%, Metal Film
R286	VRMPTV4--303J-U	30K ohm, 1/4W, 5%, Metal Film
R287	VRSPV2--101J-U	100 ohm, 1/2W, 5%, Carbon Composition Resistor
R300	VRMPTV4--103J-U	10K ohm, 1/4W, 5%, Metal Film
R301	VRCMTV2--102J-U	1K ohm, 1/2W, 5%, Carbon Film
R302	RVRSH6022D8504-	ABL Adj.
R303	VRCMTV2--684J-U	680K ohm, 1/2W, 5%, Carbon Film
R304	VRMPTV4--104J-U	100K ohm, 1/4W, 5%, Metal Film
R305	VRMPTV4--102J-U	1K ohm, 1/4W, 5%, Metal Film
R306	VRMPTV4--272J-U	2.7K ohm, 1/4W, 5%, Metal Film
R307	VRMPTV4--393J-U	39K ohm, 1/4W, 5%, Metal Film
R309	VRMPTV4--102J-U	1K ohm, 1/4W, 5%, Metal Film
R311	VRMPTV4--133J-U	13K ohm, 1/4W, 5%, Metal Film
R317	VRMPTV4--751J-U	750 ohm, 1/4W, 5%, Metal Film
R320	VRSPV2--101J-U	100 ohm, 1/2W, 5%, Carbon Composition Resistor
R321	VRSPV2--564J-U	560K ohm, 1/2W, 5%, Carbon Composition Resistor
R600	VRMPTV4--102J-U	1K ohm, 1/4W, 5%, Metal Film
R601	VRMPTV4--223J-U	22K ohm, 1/4W, 5%, Metal Film
R602	VRMPTV4--753J-U	75K ohm, 1/4W, 5%, Metal Film
R604	VRMPTV4--223J-U	22K ohm, 1/4W, 5%, Metal Film
R605	VRMPTV4--623J-U	62K ohm, 1/4W, 5%, Metal Film
R606	VRMPTV4--274J-U	270K ohm, 1/4W, 5%, Metal Film
R607	VRMPTV4-3602F-U	36K ohm, 1/4W, 1%, Metal Film
R608	VRMPTV4-4892F-U	48.9K ohm, 1/4W, 1%, Metal Film
R609	VRMPTV4-3602F-U	36K ohm, 1/4W, 1%, Metal Film
R610	VRMPTV4--183G-U	18K ohm, 1/4W, 2%, Metal Film
R611	VRMPTV4--562J-U	5.6K ohm, 1/4W, 5%, Metal Film
R612	VRMPTV4--302J-U	3K ohm, 1/4W, 5%, Metal Film
R613	VRMPTV4--561J-U	5.6K ohm, 1/4W, 5%, Metal Film
R614	VRMPTV4--302J-U	3K ohm, 1/4W, 5%, Metal Film
R615	VRNMK02--1R2J--	1.2 ohm, 2W, 5%, Metal Oxide Film
R617	VRFPK02--100J-U	10 ohm, 1/2W, 5%, Carbon Film
R618	VRCMTV2--1R0J-U	1 ohm, 1/2W, 5%, Carbon Film
R619	VRCMTV2--1R5J-U	1.5 ohm, 1/2W, 5%, Carbon Film
R620	VRCMTV2--471J-U	470 ohm, 1/2W, 5%, Carbon Film
R621	VRMPTV4--152J-U	1.5K ohm, 1/4W, 5%, Metal Film
R622	VRMPTV4--121J-U	120 ohm, 1/4W, 5%, Metal Film
R623	VRMPTV4--222J-U	2.2K ohm, 1/4W, 5%, Metal Film
R624	VRMPTV4--330J-U	33 ohm, 1/4W, 5%, Metal Film
R7A0	VRMPTV4--104J-U	100K ohm, 1/4W, 5%, Metal Film
R7A1	VRMPTV4--682J-U	6.8K ohm, 1/4W, 5%, Metal Film
R7A2	VRMPTV4--684J-U	680K ohm, 1/4W, 5%, Metal Film
R7A9	VRMPTV4--104J-U	100K ohm, 1/4W, 5%, Metal Film
R7C3	VRMPTV4--473J-U	47K ohm, 1/4W, 5%, Metal Film
R7C4	VRMPTV4--202J-U	2K ohm, 1/4W, 5%, Metal Film
R7C5	QJUM-1045D8100-	Jumper
R7C7	VRMPTV4--473J-U	47K ohm, 1/4W, 5%, Metal Film
R7F0	VRMPTV4--105J-U	1M ohm, 1/4W, 5%, Metal Film
R7F1	VRMPTV4--394J-U	390K ohm, 1/4W, 5%, Metal Film
R7F2	VRMPTV4--104J-U	100K ohm, 1/4W, 5%, Metal Film
R7F3	VRMPTV4--474J-U	470K ohm, 1/4W, 5%, Metal Film

R701	VRMPTV4--223J-U	22K ohm, 1/4W, 5%, Metal Film
R702	VRMPTV4--223J-U	22K ohm, 1/4W, 5%, Metal Film
R703	VRMPTV4--103J-U	10K ohm, 1/4W, 5%, Metal Film
R704	VRMPTV4--563J-U	56K ohm, 1/4W, 5%, Metal Film
R705	VRMPTV4--102J-U	1K ohm, 1/4W, 5%, Metal Film
R706	VRMPTV4--184J-U	180K ohm, 1/4W, 5%, Metal Film
R707	VRMPTV4--274J-U	270K ohm, 1/4W, 5%, Metal Film
R710	VRMPTV4--105J-U	1M ohm, 1/4W, 5%, Metal Film
R711	VRMPTV4--184J-U	180K ohm, 1/4W, 5%, Metal Film
R712	VRMPTV4--102J-U	1K ohm, 1/4W, 5%, Metal Film
R713	VRMPTV4-9101F-U	9.1K ohm, 1/4W, 1%, Metal Film
R714	VRMPTV4--182J-U	1.8K ohm, 1/4W, 5%, Metal Film
R715	VRMPTV4-1502F-U	15K ohm, 1/4W, 1%, Metal Film
R716	VRMPTV4-3902F-U	39K ohm, 1/4W, 1%, Metal Film
R717	VRMPTV4--363J-U	36K ohm, 1/4W, 5%, Metal Film
R718	VRMPTV4--363J-U	36K ohm, 1/4W, 5%, Metal Film
R719	VRMPTV4--472J-U	4.7K ohm, 1/4W, 5%, Metal Film
R720	VRMPTV4--124J-U	120K ohm, 1/4W, 5%, Metal Film
R721	VRMPTV4--332J-U	3.3K ohm, 1/4W, 5%, Metal Film
R724	VRMPTV4--124J-U	120K ohm, 1/4W, 5%, Metal Film
R725	VRMPTV4--102J-U	1K ohm, 1/4W, 5%, Metal Film
R726	VRMPTV4--472J-U	4.7K ohm, 1/4W, 5%, Metal Film
R727	VRMPTV4--822J-U	8.2K ohm, 1/4W, 5%, Metal Film
R728	VRMPTV4--303J-U	30K ohm, 1/4W, 5%, Metal Film
R729	VRMPTV4--472J-U	4.7K ohm, 1/4W, 5%, Metal Film
R730	VRMPTV4--682J-U	6.8K ohm, 1/4W, 5%, Metal Film
R731	VRMPTV4--103J-U	10K ohm, 1/4W, 5%, Metal Film
R732	VRMPTV4--472J-U	4.7K ohm, 1/4W, 5%, Metal Film
R733	VRMPTV4--134J-U	130K ohm, 1/4W, 5%, Metal Film
R734	VRMPTV4--303J-U	30K ohm, 1/4W, 5%, Metal Film
R735	VRMPTV4--243J-U	24K ohm, 1/4W, 5%, Metal Film
R736	VRMPTV4--123J-U	12K ohm, 1/4W, 5%, Metal Film
R737	VRMPTV4--102J-U	1K ohm, 1/4W, 5%, Metal Film
R738	VRMPTV4--103J-U	10K ohm, 1/4W, 5%, Metal Film
R739	VRMPTV4--103J-U	10K ohm, 1/4W, 5%, Metal Film
R740	VRMPTV4--101J-U	100 ohm, 1/4W, 5%, Metal Film
R741	VRMPTV4--473J-U	47K ohm, 1/4W, 5%, Metal Film
R742	VRMPTV4--102J-U	1K ohm, 1/4W, 5%, Metal Film
R744	VRMPTV4--100J-U	10 ohm, 1/4W, 5%, Metal Film
R746	VRCMTV2--561J-U	560 ohm, 1/2W, 5%, Carbon Film
R747	VRNMK02--333J--	33K ohm, 2W, 5%, Metal Oxide Film
R748	VRMPTV4--511J-U	510 ohm, 1/4W, 5%, Metal Film
R750	VRMPTV4--332J-U	3.3K ohm, 1/4W, 5%, Metal Film
R751	VRNMK05--681J--	680 ohm, 5W, 5%, Metal Oxide Film
R752	VRNMK01--1R0J--	1 ohm, 1W, 5%, Metal Oxide Film
R753	VRCMTV2--5R6J-U	5.6 ohm, 1/2W, 5%, Carbon Film
R754	VRMPTV4--220J-U	22 ohm, 1/4W, 5%, Metal Film
R755	VRMPTV4--472J-U	4.7K ohm, 1/4W, 5%, Metal Film
R756	VRMPTV4--223J-U	22K ohm, 1/4W, 5%, Metal Film
R757	VRMPTV4--560J-U	56 ohm, 1/4W, 5%, Metal Film
R758	VRMPTV4--224J-U	220K ohm, 1/4W, 5%, Metal Film
R759	VRNMK01--271J--	270 ohm, 1W, 5%, Metal Oxide Film
R760	VRMPTV4--100J-U	10 ohm, 1/4W, 5%, Metal Film
R761	VRMPTV4--473J-U	47K ohm, 1/4W, 5%, Metal Film
R762	VRCMTV2--104J U	100K ohm, 1/2W, 5%, Carbon Film
R764	VRMPTV4--100J-U	10 ohm, 1/4W, 5%, Metal Film
R765	VRMPTV4--223J-U	22K ohm, 1/4W, 5%, Metal Film
R766	VRMPTV4--202J-U	2K ohm, 1/4W, 5%, Metal Film
R767	VRMPTV4--102J-U	1K ohm, 1/4W, 5%, Metal Film
R768	VRMPTV4--134J-U	130K ohm, 1/4W, 5%, Metal Film
R769	VRMPTV4--331J-U	330 ohm, 1/4W, 5%, Metal Film
R770	QJUM-1045D8100-	Jumper
R771	VRMPTV4--103J-U	10K ohm, 1/4W, 5%, Metal Film
R772	VRMPTV4--823J-U	82K ohm, 1/4W, 5%, Metal Film

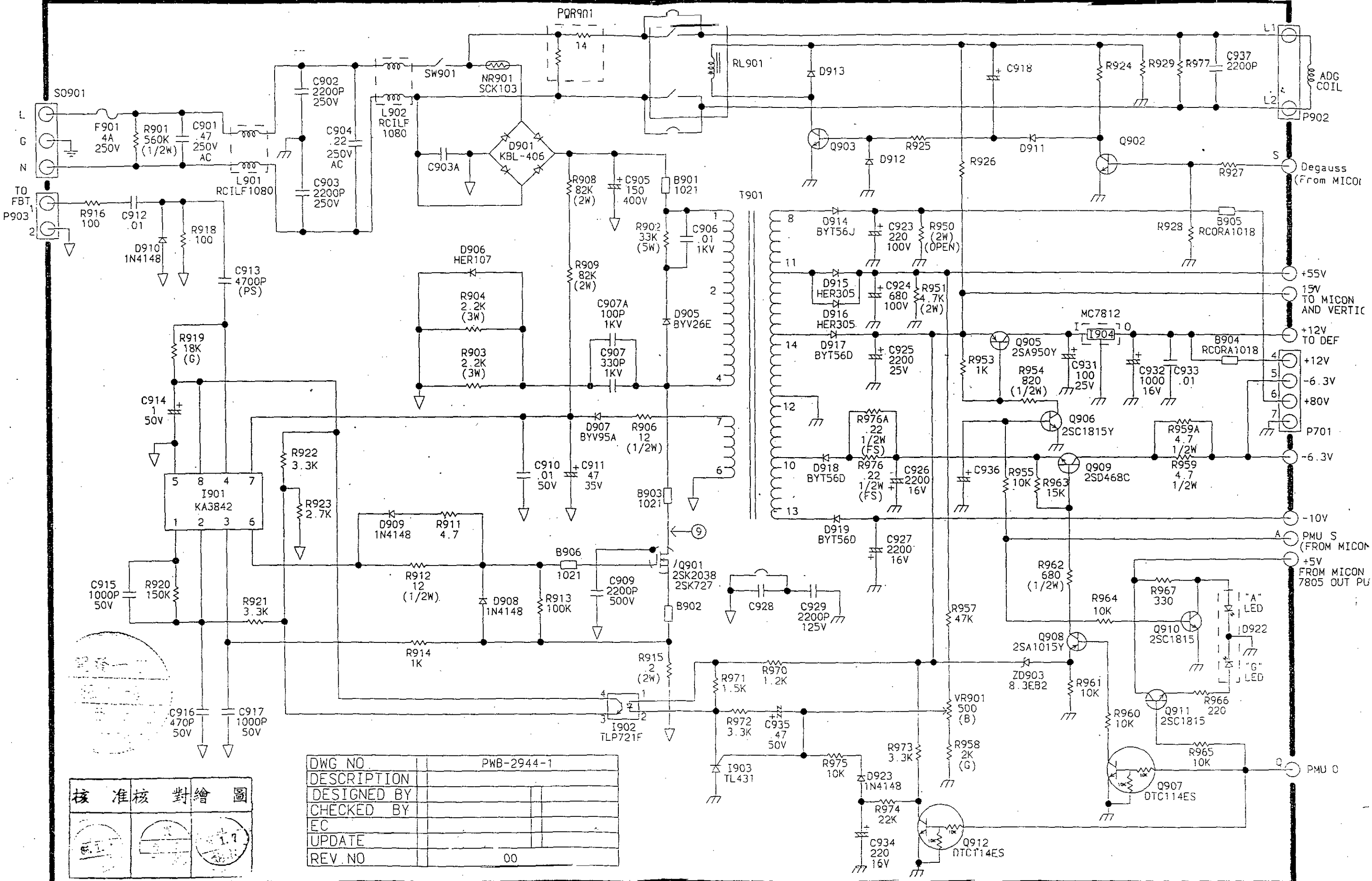
R773	VRMPTV4--363J-U	36K ohm, 1/4W, 5%, Metal Film
R774	VRMPTV4--332J-U	3.3K ohm, 1/4W, 5%, Metal Film
R777	VRMPTV4--473J-U	47K ohm, 1/4W, 5%, Metal Film
R778	VRMPTV4--563J-U	56K ohm, 1/4W, 5%, Metal Film
R779	VRMPTV4--473J-U	47K ohm, 1/4W, 5%, Metal Film
R780	VRMPTV4--302J-U	3K ohm, 1/4W, 5%, Metal Film
R781	VRMPTV4--822J-U	8.2K ohm, 1/4W, 5%, Metal Film
R782	VRMPTV4--104J-U	100K ohm, 1/4W, 5%, Metal Film
R783	VRMPTV4-3602F-U	36K ohm, 1/4W, 1%, Metal Film
R784	VRMPTV4-2702F-U	27K ohm, 1/4W, 1%, Metal Film
R785	VRMPTV4-2401F-U	2.4K ohm, 1/4W, 1%, Metal Film
R786	VRMPTV4--103J-U	10K ohm, 1/4W, 5%, Metal Film
R787	VRCMTV2--184J-U	180K ohm, 1/2W, 5%, Carbon Film
R788	VRCMTV2--106J-U	10M ohm, 1/2W, 5%, Carbon Film
R789	VRMPTV4--102J-U	1K ohm, 1/4W, 5%, Metal Film
R790	VRMPTV4--684J-U	680K ohm, 1/4W, 5%, Metal Film
R791	VRMPTV4--203J-U	20K ohm, 1/4W, 5%, Metal Film
R792	VRMPTV4--102J-U	1K ohm, 1/4W, 5%, Metal Film
R793	VRMPTV4--333J-U	33K ohm, 1/4W, 5%, Metal Film
R794	VRMPTV4--154J-U	150K ohm, 1/4W, 5%, Metal Film
R795	VRMPTV4--105J-U	1M ohm, 1/4W, 5%, Metal Film
R796	VRMPTV4--154J-U	150K ohm, 1/4W, 5%, Metal Film
R797	VRMPTV4--154J-U	150K ohm, 1/4W, 5%, Metal Film
R798	VRMPTV4--103J-U	10K ohm, 1/4W, 5%, Metal Film
R799	QFS-N202F-81UA-	Fuse
R901	VRCMTV2--564J-U	560K ohm, 1/2W, 5%, Carbon Film
R902	VRNMK05--333J--	33K ohm, 5W, 5%, Metal Film
R903	VRNMK03--222J--	2.2K ohm, 3W, 5%, Metal Oxide Film
R904	VRNMK03--222J--	2.2K ohm, 3W, 5%, Metal Oxide Film
R906	VRCMTV2--120J-U	12 ohm, 1/2W, 5%, Carbon Film
R908	VRNMK02--823J--	82K ohm, 2W, 5%, Metal Oxide Film
R909	VRNMK02--823J--	82K ohm, 2W, 5%, Metal Oxide Film
R911	VRMPTV4--4R7J-U	4.7 ohm, 1/4W, 5%, Metal Film
R912	VRCMTV2--120J-U	12 ohm, 1/2W, 5%, Carbon Film
R913	VRMPTV4--104J-U	100K ohm, 1/4W, 5%, Metal Film
R914	VRMPTV4--102J-U	1K ohm, 1/4W, 5%, Metal Film
R915	VRLK02--R20J--	.2 ohm, 2W, 5%, Wire Wound Fixed
R916	VRMPTV4--101J-U	100 ohm, 1/4W, 5%, Metal Film
R918	VRMPTV4--101J-U	100 ohm, 1/4W, 5%, Metal Film
R919	VRMPTV4--183J-U	18K ohm, 1/4W, 5%, Metal Film
R920	VRMPTV4--154J-U	150K ohm, 1/4W, 5%, Metal Film
R921	VRMPTV4--332J-U	3.3K ohm, 1/4W, 5%, Metal Film
R922	VRMPTV4--332J-U	3.3K ohm, 1/4W, 5%, Metal Film
R923	VRMPTV4--272J-U	2.7K ohm, 1/4W, 5%, Metal Film
R951	VRNMK02--472J--	4.7K ohm, 2W, 5%, Metal Oxide Film
R953	VRMPTV4--102J-U	1K ohm, 1/4W, 5%, Metal Film
R954	VRCMTV2--821J-U	820 ohm, 1/2W, 5%, Carbon Film
R955	VRMPTV4--103J-U	10K ohm, 1/4W, 5%, Metal Film
R957	VRMPTV4--473J-U	47K ohm, 1/4W, 5%, Metal Film
R958	VRMPTV4--202G-U	2K ohm, 1/4W, 2%, Metal Film
R959	VRCMTV2--821J-U	820 ohm, 1/2W, 5%, Carbon Film
R959A	VRCMTV2--821J-U	820 ohm, 1/2W, 5%, Carbon Film
R960	VRMPTV4--103J-U	10K ohm, 1/4W, 5%, Metal Film
R961	VRMPTV4--103J-U	10K ohm, 1/4W, 5%, Metal Film
R962	VRCMTV2--681J-U	680 ohm, 1/2W, 5%, Carbon Film
R963	VRMPTV4--153J-U	15K ohm, 1/4W, 5%, Metal Film
R964	VRMPTV4--103J-U	10K ohm, 1/4W, 5%, Metal Film
R965	VRMPTV4--103J-U	10 ohm, 1/4W, 5%, Metal Film
R966	VRMPTV4--221J-U	220 ohm, 1/4W, 5%, Metal Film
R967	VRMPTV4--331J-U	330 ohm, 1/4W, 5%, Metal Film
R970	VRMPTV4--122J-U	1.2K ohm, 1/4W, 5%, Metal Film
R971	VRMPTV4--152J-U	1.5K ohm, 1/4W, 5%, Metal Film
R972	VRMPTV4--332J-U	3.3K ohm, 1/4W, 5%, Metal Film
R973	VRMPTV4--332J-U	3.3K ohm, 1/4W, 5%, Metal Film



DWG NO	PWB-2945-1
DESCRIPTION	
DESIGNED BY	
CHECKED BY	
EC	
UPDATE	
REV NO	00

核准核對繪圖

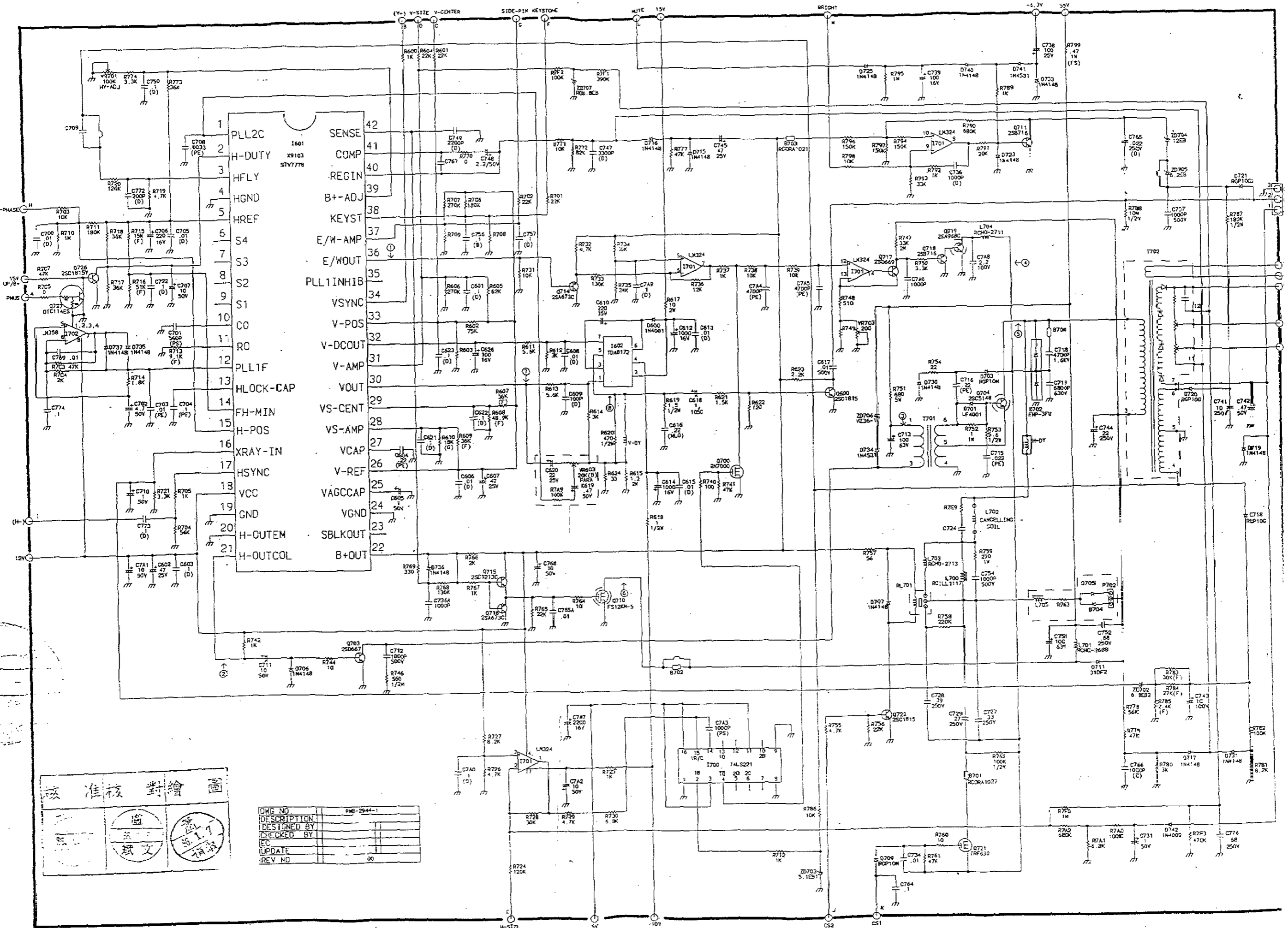
8.1.7	盧	8.1.7
	立	



DWG NO.	PWB-2944-1
DESCRIPTION	
DESIGNED BY	
CHECKED BY	
EC	
UPDATE	
REV. NO	00

核准核對繪圖

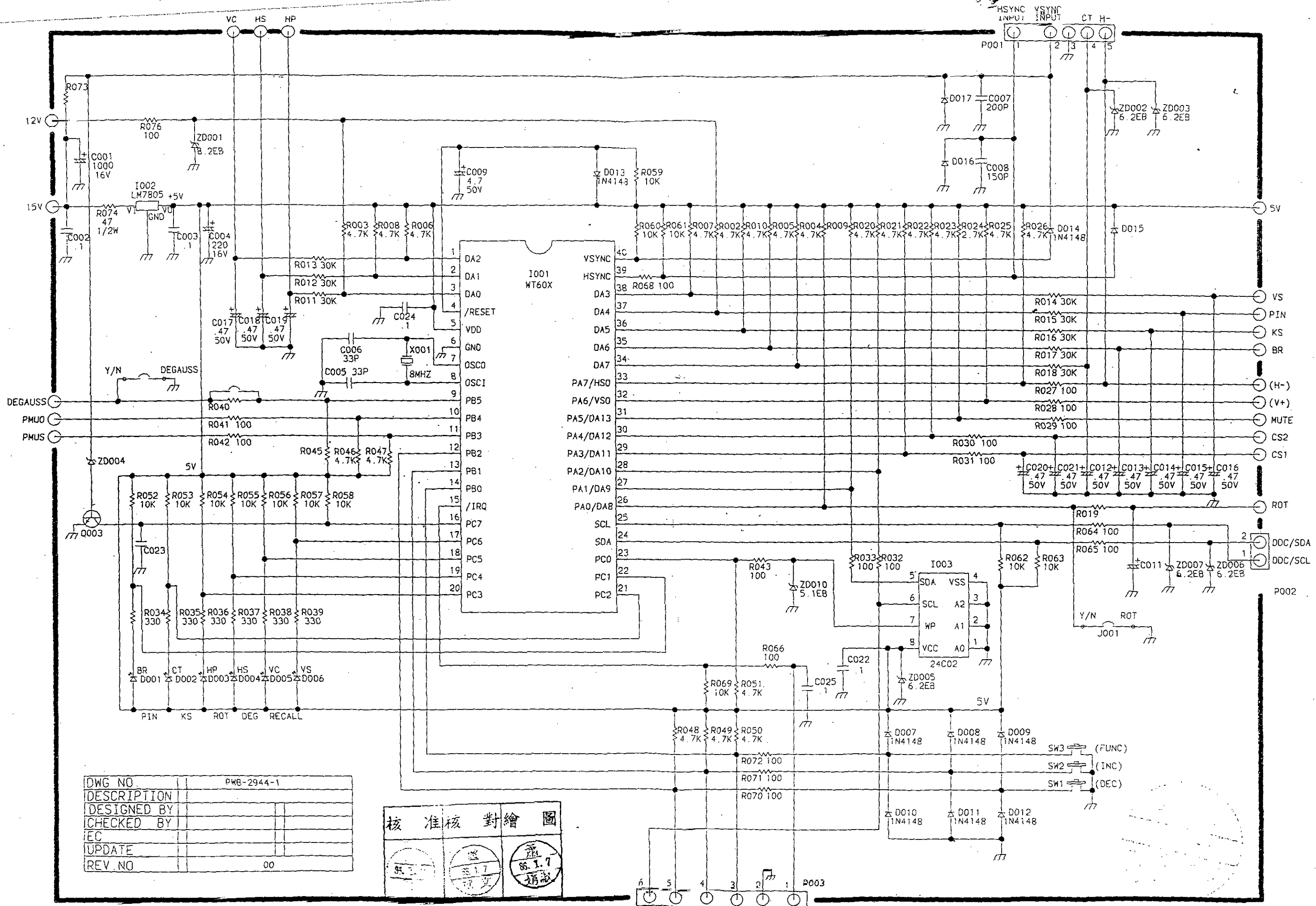
1.7



核准核對繪圖

DWG NO.	PWB-2944-1
DESCRIPTION	
DESIGNED BY	
CHECKED BY	
EC	
UPDATE	
REV NO.	00

R974	VRMPTV4--223J-U	22K ohm, 1/4W, 5%, Metal Film
R975	VRMPTV4--103J-U	10K ohm, 1/4W, 5%, Metal Film
R976	VRFPKV2--R22J--	.22 ohm, 2W, 5%, Fusing Resistor
R976A	VRFPKV2--R22J--	.22 ohm, 2W, 5%, Fusing Resistor
SO901	QSOCP1312D8----	AC Inlet
SW001	QSW-A1086D8----	Micro Adj. (-) Switch
SW002	QSW-A1086D8----	Micro Adj. (+) Switch
SW003	QSW-A1086D8----	Micro Func Switch
SW901	QSW-P1265D8----	Power Switch
SW901	QSW-P1265D8---A	Second Source
T701	RTRND1069D8---A	Pre-Amp Drive
T702	DFBTEC056-151BB	FBT
T702	DFBTEL056-151BB	FBT
T901	RCVTP3110D8---C	Power Converter
VR201	RVRSV6022D8103-	SUB-Cont-B
VR225	RVRSV6022D8203-	B-Bias
VR231	RVRSV6022D8103-	SUB-Cont-R
VR255	RVRSV6022D8203-	R-Bias
VR261	RVRSV6022D8103-	SUB-Cont-G
VR285	RVRSV6022D8203-	G-Bias
VR603	RVRSH6022D8203-	Parallelgram-Adj
VR701	RVRSV6022D8104-	HV-Adj
VR701	RVRSV6023D8104-	Second Source
VR703	RVRSH6022D8201-	H-Size Adj
VR901	RVRSH6022D8501-	B+-Adj
X001	RCRSL1109D8--C-	Crystal
ZD001	VSZMTZJ8.2B---U	Zener
ZD001	VSZRD8.2EB2---U	Second Source
ZD002	VSZMTZJ6.2----U	Zener
ZD002	VSZRD6.2EB----U	Second Source
ZD003	VSZMTZJ6.2----U	Zener
ZD003	VSZRD6.2EB----U	Second Source
ZD005	VSZMTZJ6.2----U	Zener
ZD005	VSZRD6.2EB----U	Second Source
ZD006	VSZMTZJ6.2----U	Zener
ZD006	VSZRD6.2EB----U	Second Source
ZD007	VSZMTZJ6.2----U	Zener
ZD007	VSZRD6.2EB----U	Second Source
ZD010	VSZMTZJ5.1E---U	Zener
ZD201	VSZRD5.1EB----U	Zener
ZD231	VSZRD5.1EB----U	Zener
ZD261	VSZRD5.1EB----U	Zener
ZD300	VSZMTZJ6.2----U	Zener
ZD300	VSZRD6.2EB----U	Second Source
ZD300	VSZMTZJ6.2----U	Zener
ZD300	VSZRD6.2EB----U	Second Source
ZD702	VSZMTZJ6.8B---U	Zener
ZD702	VSZRD6.8EB2---U	Second Source
ZD703	VSZMTZJ5.1A---U	Zener
ZD703	VSZRD5.1EB1---U	Second Source
ZD704	VSZRD12EB-----U	Zener
ZD704	VSZMTZJ12-----U	Second Source
ZD705	VSZMTZJ6.2----U	Zener
ZD705	VSZRD6.2EB----U	Second Source
ZD706	VSZMTZJ36D----U	Zener
ZD706	VSZH36-1-----U	Second Source
ZD707	VSZMTZJ6.8B---U	Zener
ZD707	VSZRD6.8EB2---U	Second Source
ZD903	VSZMTZJ8.2B---U	Zener
ZD903	VSZRD8.2EB2---U	Second Source



DWG NO	PWB-2944-1
DESCRIPTION	
DESIGNED BY	
CHECKED BY	
EC	
UPDATE	
REV. NO	00

核准核對繪圖

85.1.7	85.1.7	85.1.7
--------	--------	--------

