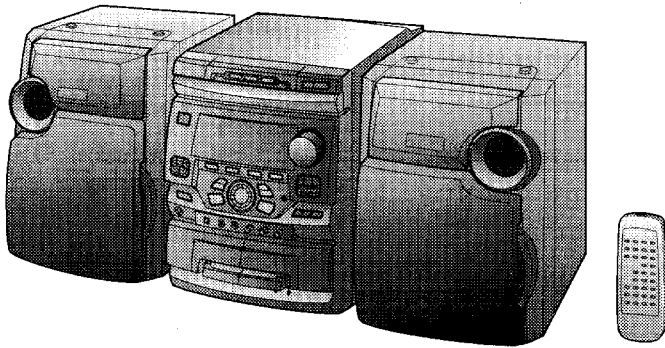


SHARP SERVICE MANUAL

No. SX669CDC1600Z



CD-C1600Z(BK) CD-K1600Z(BK)


Illustration: CD-K1600Z



SOUND RETRIEVAL SYSTEM

- SRS technology Licensed from SRS Labs. SRS technology holds the following patents: U.S. Patent No. 4,748,669, U.S. Patent No. 4,841,572 and U.S. Patent No. 4,866,774.
- SRS the SRS Logo (●) and the **SOUND RETRIEVAL SYSTEM** are registered trademarks of SRS Labs, Inc.

DOLBY B NR

- Dolby noise reduction manufactured under license from Dolby Laboratories Licensing Corporation.
- "DOLBY" and the double-D symbol  are trademarks of Dolby Laboratories Licensing Corporation.

• Safety regulations require that the set be restored to its original condition and that parts which are identical with those specified, be used.

CONTENTS

	Page
SPECIFICATIONS	2
VOLTAGE SELECTION	2
NAMES OF PARTS	3
OPERATION MANUAL	5
DISASSEMBLY	6
REMOVING AND REINSTALLING THE MAIN PARTS	8
ADJUSTMENT	9
NOTES ON SCHEMATIC DIAGRAM	12
BLOCK DIAGRAM	13
SCHEMATIC DIAGRAM/WIRING SIDE OF P.W. BOARD	15
WAVEFORMS OF CD CIRCUIT	39
TROUBLE SHOOTING (CD SECTION)	40
FUNCTION TABLE OF IC	44
FL SEGMENT	51
PARTS GUIDE/EXPLODED VIEW	

DIFFERENCE BETWEEN CD-C1600Z AND CD-K1600Z

SECTION	CD-C1600Z	CD-K1600Z
Karaoke	○	×

SPECIFICATIONS

● **General**

Power source: AC 110/127/220/230-240 V, 50/60 Hz
Power consumption: 350 W
Dimensions: Width; 270 mm (10-11/16")
 Height; 350 mm (13-13/16")
 Depth; 371 mm (14-5/8")
Weight: 9.2 kg (20.7 lbs.)

● **Amplifier section**

Output power: PMPO; 1600 W (total)
 MPO; 354 W (177 W + 177 W)
 (10 % T.H.D.)
 RMS; 200 W (100 W + 100 W)
 (10 % T.H.D.)
Input terminals: (CD-C1600Z) VIDEO/AUX; (audio signal); 500 mV/47 kohms
 VIDEO/AUX (video signal); 1 Vp-p (75 ohms unbalanced)
Input terminals: (CD-K1600Z) VIDEO/AUX; (audio signal); 500 mV/47 kohms
 VIDEO/AUX (video signal); 1 Vp-p (75 ohms unbalanced)
 MIC1/2; 1 mV/4.7 kohms
Output terminals: Speakers; 6 ohms
 Headphones; 16-50 ohms (recommended; 32 ohms)
 VIDEO/AUX (audio signal) 500 mV/47 kohms
 VIDEO/AUX (video signal) 1 Vp-p (75 ohms unbalanced)

● **Compact disc player section**

Type: 3-disc multi-play compact disc player
Signal readout: Non-contact, 3-beam semi-conductor laser pickup
Rotational speed: 200 - 500 rpm CLV, Approx.
Error correction: CIRC (Cross Interleave Reed-Solomon Code)
Quantization: 16 bit linear
Filter: 8-times oversampling digital filter
D/A converter: 1-bit D/A converter
Frequency response: 20 - 20,000 Hz
Dynamic range: 90 dB (1 kHz)
Wow and flutter: Unmeasurable
 (less than 0.001% W. peak)

● **Tuner section**

Frequency range: FM; 88 - 108 MHz
 SW2; 9.5 - 21.85 MHz
 SW1; 3.2 - 7.3 MHz
 MW; 531 - 1,602 kHz

● **Cassette deck section**

Type: Compact cassette tape
Frequency response: 50 - 14,000 Hz (Normal tape)
 50 - 15,000 Hz (CrO₂ tape)
Motor: DC motor with electronic governor x 1
Signal/noise ratio: 55 dB (TAPE 1, playback)
 50 dB (TAPE 2, recording/playback)
 Dolby NR effect; 10 dB (at over 5 kHz)

Bias and erasure system:

AC
Tape Speed: 4.76 cm/sec. (1-7/8 ips.)
Wow and flutter: 0.15 % (WRMS)
Heads: TAPE-1: Playback x 1
 TAPE-2: Record/Playback x 1
 Erase x 1

● **Speaker section**

Type: 3-way type [200 mm (7-7/8") woofer, 80 mm (3-3/16") tweeter and super tweeter]
Rated input power: 100 W
Maximum input power: 200 W
Impedance: 6 ohms
Dimensions: Width; 260 mm (10-1/4")
 Height; 350 mm (13-13/16")
 Depth; 350.5 mm (13-13/16")
Weight: 6.1 kg (13.7 lbs./each)

Specifications for this model are subject to change without prior notice.

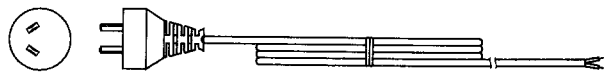
VOLTAGE SELECTION

The voltage selector is located on the AC voltage selector box. If adjustment is necessary, use a screwdriver in order to turn the selector in either direction until the correct voltage figure is displayed in the window next to the adjustment screw.

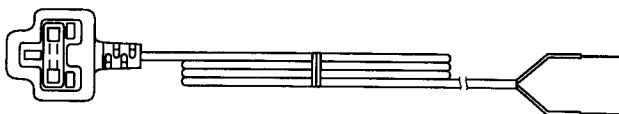
QACCA0001AW00



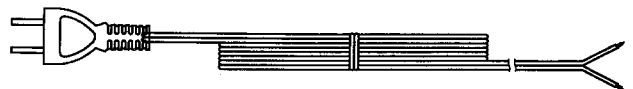
92LCõRDA1387C



QACCB0005AW00



92LCõRDT1699A



QACCE0003AW00



92LPLUG155A



92LPLUG027

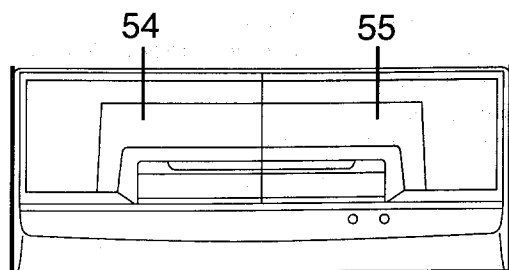
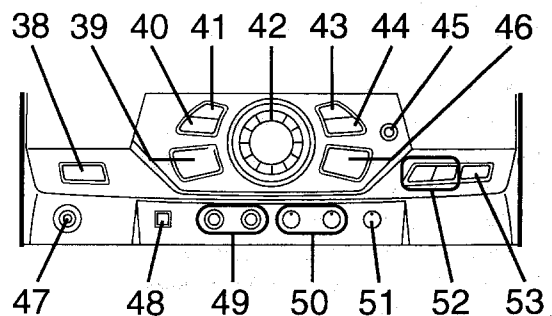
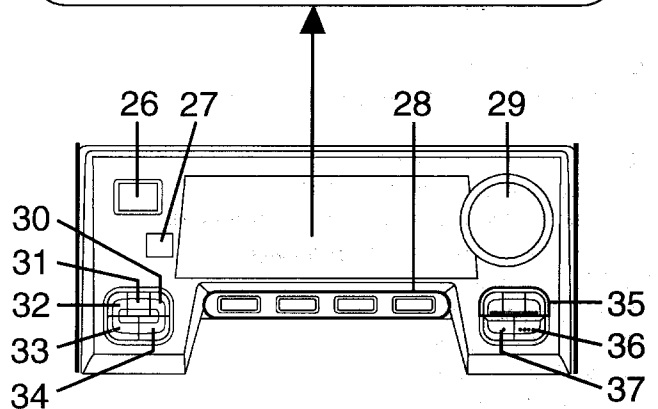
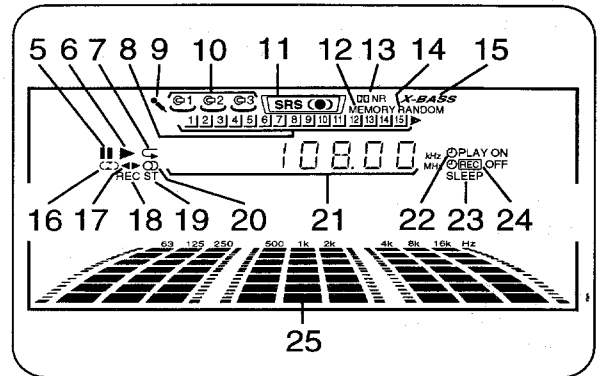
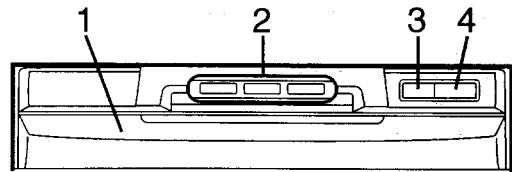


Figure 2 AC POWER SUPPLY CORD AND AC PLUG ADAPTOR

NAMES OF PARTS

■ Front Panel (Illustration:CD-K1600Z)

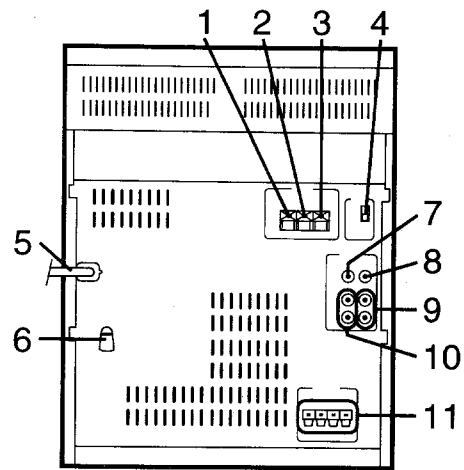
1. Disc Tray
2. Disc Number Select Buttons
3. Disc Skip Button
4. Open/Close Button: ▲
5. CD Pause Indicator: ■■
6. CD Play Indicator: ►
7. CD Repeat Indicator: ◁
8. Music Schedule Indicators
9. Karaoke Maker Indicator (CD-K1600Z ONLY)
10. Disc Number Indicators
11. SRS Indicator
12. Memory Indicator
13. Dolby NR Indicator
14. Random Play Indicator
15. Extra Bass Indicator: X-BASS
16. Reverse Mode Indicator: ◁
17. Direction Indicators
18. Record Indicator
19. FM Stereo Mode Indicator: ST
20. FM Stereo Indicator: ⊙
21. Function/CD Track/Preset channel/Volume/Frequency/CD Counter/Time/Sleep Time Indicator
22. Timer Play Indicator
23. Sleep Indicator
24. Timer Record Indicator
25. Spectrum Analyzer/Volume Level Indicator
26. Power Switch
27. Remote Control Sensor
28. Function Selector Buttons
29. Volume Control
30. Timer Button
31. Sleep Button
32. Clock Button
33. Memory/Set Button
34. Clear Button
35. 3D Surround Mode Buttons: PASS/MONO/STEREO
36. Extra Bass Button: X-BASS
37. Equalizer Selector/Demo Mode Button
38. Dolby NR button
39. (TAPE 2) Reverse Play Button: ◀
40. (CD) Pause Button: ■■
41. Tuning Down Button: ∨
Review Button: ◀◀
42. Jog Dial
43. Tuning Up Button: ^
Cue Button: ▶▶
44. Stop Button: ■
45. Reverse Mode Button
46. Play/Repeat Button: ▶◁
47. Headphone Socket
48. Karaoke Maker Switch (CD-K1600Z ONLY)
49. Microphone Sockets (CD-K1600Z ONLY)
50. Microphone Level Controls (CD-K1600Z ONLY)
51. Digital Echo Control (CD-K1600Z ONLY)
52. Editing Speed Selector Buttons: NORMAL/HIGH
53. Record Pause Button: ●■■
54. (TAPE 1) Cassette Compartment
55. (TAPE 2) Cassette Compartment



CD-C1600Z/CD-K1600Z

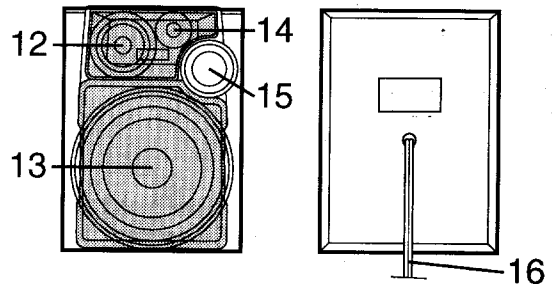
■ Rear panel

1. MW/SW1/SW2 Aerial Terminal
2. Aerial Earth Terminal
3. FM 75 ohms Aerial Terminal
4. Span Selector Switch
5. AC Power Lead
6. AC Voltage Selector
7. Video/Auxiliary (Video Signal) Input Socket
8. Video/Auxiliary (Video Signal) Output Socket
9. Video/Auxiliary (Audio Signal) Output Sockets
10. Video/Auxiliary (Audio Signal) Input Sockets
11. Speaker Terminals



■ Speaker Section

12. Tweeter
13. Woofer
14. Super Tweeter
15. Bass Reflex Duct
16. Speaker Wire

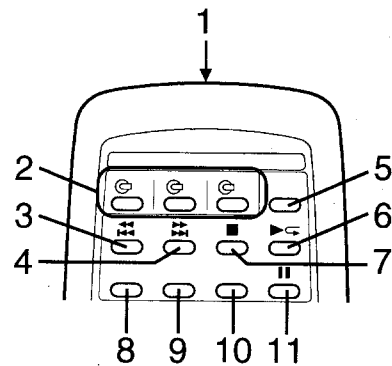


■ Remote Control

1. Remote Control Transmitter LED

● CD control section

2. Disc Number Select Buttons
3. Track Down/Review Button: ◀◀/|◀◀
4. Track Up/Cue Button: ▶▶/▶▶|
5. Disc Skip Button
6. Play/Repeat Button: ▶↻
7. Stop Button: ■
8. Memory Button
9. Clear Button
10. Random Button
11. Pause Button: ||

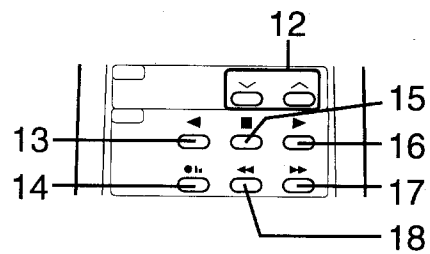


● Tuner control section

12. Preset Up/Down Buttons: √/∧

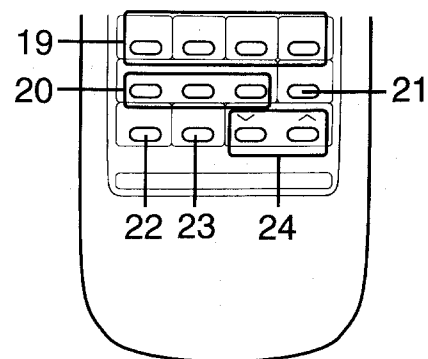
● Tape control section

13. (TAPE 2) Reverse Play Button: ◀
14. (TAPE 2) Record Pause Button: ●||
15. Stop Button: ■
16. (TAPE 1) Play Button/
(TAPE 2) Forward Play Button: ▶
17. (TAPE 2) Fast Forward Button: ▶▶
18. (TAPE 2) Rewind Button: ◀◀



● Common section

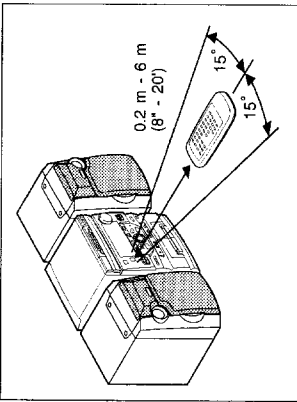
19. Function Selector Buttons
20. 3D Surround Mode Buttons: PASS/MONO/STEREO
21. Equalizer Mode Button
22. Power Button
23. Extra Bass Button: X-BASS
24. Volume Up/Down Buttons: √/∧



OPERATION MANUAL

PREPARATION FOR USE

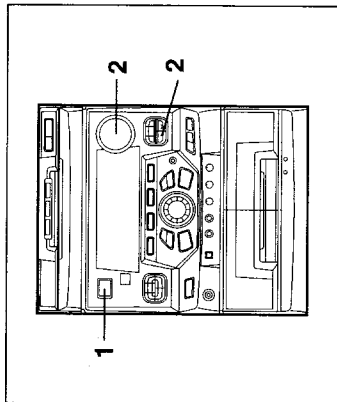
- Notes concerning use:**
- Replace the batteries if control distance decreases or operation becomes erratic.
 - Periodically clean the transmitter LED on the remote control and the sensor on the main unit with a soft cloth.
 - Exposing the sensor on the main unit to strong light may interfere with operation. Change the lighting or the direction of the unit.
 - Keep the remote control away from moisture, excessive heat, shock, and vibrations.



RESETTING THE MICROCOMPUTER

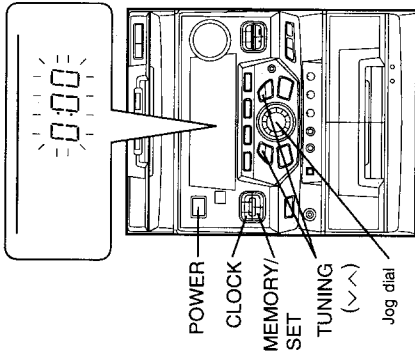
Reset the microcomputer by performing the following procedure for the cases shown below:

- To erase all of the stored memory contents, or
 - If the display does not function properly, or
 - The unit does not operate properly.
- 1 Set the POWER switch to STAND-BY.
 - 2 Press the POWER switch whilst holding the VOLUME control in the UP position and whilst pressing the EQ/DEMO button.



SETTING THE CLOCK

In this example, the clock is set for the 24-hour (0:00) system.



- 2
- 3
- 4
- 5
- 6
- 7
- 8

Note:

- In the event of a power failure or when the AC power lead is disconnected, the clock display will go out. When the AC power supply is restored, the clock display will flash on and off to indicate the time when the power failure occurred or when the AC power lead was disconnected. If this happens follow the procedure below to change the clock time.

- To change the clock time:**
- 1 When the POWER switch is set to STAND-BY.
 - 2 Press the MEMORY/SET button.
 - 3 Perform steps 5 - 8 above.
- When the POWER switch is set to ON.
- 1 Press the CLOCK button.
 - 2 Within 5 seconds, press the MEMORY/SET button.
 - 3 Perform steps 5 - 8 above.

To see the time display: (When the power is ON)

Press the CLOCK button.

- The time display will appear for about 5 seconds.

To switch the time display mode:

- 1 Set the POWER switch to STAND-BY.
- 2 Press the POWER switch whilst holding the VOLUME control in the UP position and whilst pressing the EQ/DEMO button.
- 3 Perform steps 1 - 8 above.

Note:

- The operation explained above will erase all data stored in memory, such as clock and timer settings, tuner and CD presets.

DISASSEMBLY

Caution on Disassembly

Follow the below-mentioned notes when disassembling the unit and reassembling it, to keep it safe and ensure excellent performance:

1. Take cassette tape and compact disc out of the unit.
2. Be sure to remove the power supply plug from the wall outlet before starting to disassemble the unit.
3. Take off nylon bands or wire holders where they need be removed when disassembling the unit. After servicing the unit, be sure to rearrange the leads where they were before disassembling.
4. Take sufficient care on static electricity of integrated circuits and other circuits when servicing.

STEP	REMOVAL	PROCEDURE	FIGURE
1	Top Cabinet	1. Screw (A1) x4	6-1
2	Side Panel (Left/Right)	1. Screw (B1) x10	6-1
3	CD Player Unit/ CD Tray Cover	1. Turn on the power supply, open the disc tray, take out the CD tray cover, and close. (Note 1) 2. Hook (C1) x3 3. Hook (C2) x2 4. Socket (C3) x4	6-2 7-3
4	Back Board	1. Screw (D1) x8	6-2
5	Main PWB/ Tuner PWB/	1. Screw (E1) x2 2. Socket (E2) x4 (CD-C1600Z) 2. Socket (E2) x5 (CD-K1600Z) 3. Flat Cable (E3) x2	6-3,7-1
6	Front Panel/ Headphones PWB	1. Screw (F1) x3 2. Screw (F2) x2	7-2 7-3
7	Karaoke PWB (CD-K1600Z Only)	1. Screw (G1) x2	7-2
8	Jog Knob/ Jog Switch	1. Knob (H1) x1 2. Nut (H2) x1	7-2,7-3
9	Display PWB/ Switch PWB	1. Screw (J1) x15	7-2,7-3
10	Tape Mechanism	1. Open the cassette holder. 2. Screw (K1) x6	7-2,7-3
11	Power Amp. PWB	1. Screw (L1) x7	7-2,7-3
12	Turntable	1. Screw (M1) x1 2. Cover (M2) x1	7-4
13	Disc Tray	1. Screw (N1) x4 2. Guide A (N2) x2 3. Guide B (N3) x2	7-4
14	CD Changer Mechanism	1. Screw (P1) x4	7-5
15	CD Mechanism	1. Screw (Q1) x1	7-5
16	Sensor PWB	1. Screw (R1) x1 2. Socket (R2) x1	7-5

Note 1: If the power supply cannot be turned on, <A> turn the gear by hand as shown in Figure 6-2 to open the disc tray.

■ SPEAKER SECTION

STEP	REMOVAL	PROCEDURE	FIGURE
1	Front Panel	1. Net (A1) x1 2. Rubber (A2) x4 3. Screw (A3) x4	7-6
2	Speaker	1. Screw (B1) x10	7-7

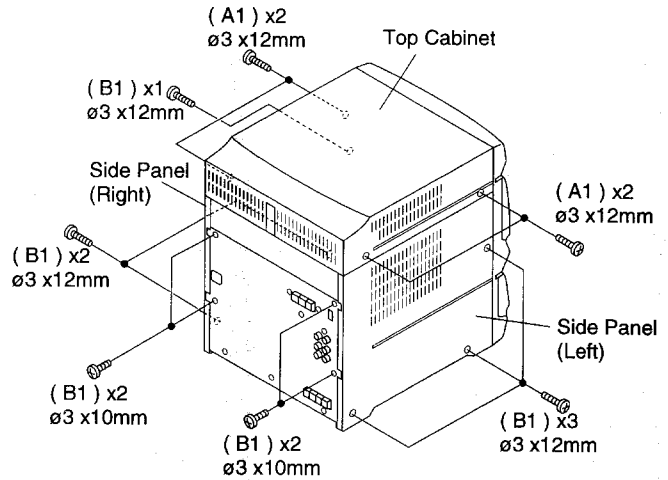


Figure 6-1

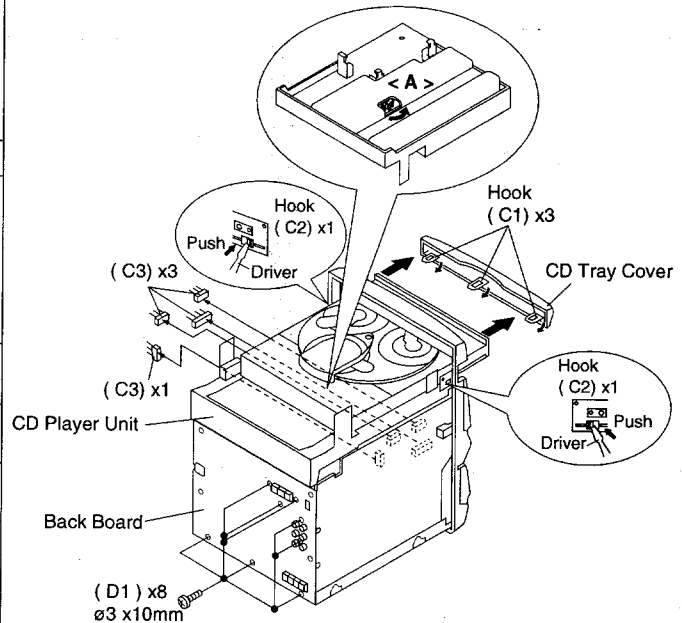


Figure 6-2

CD-C1600Z

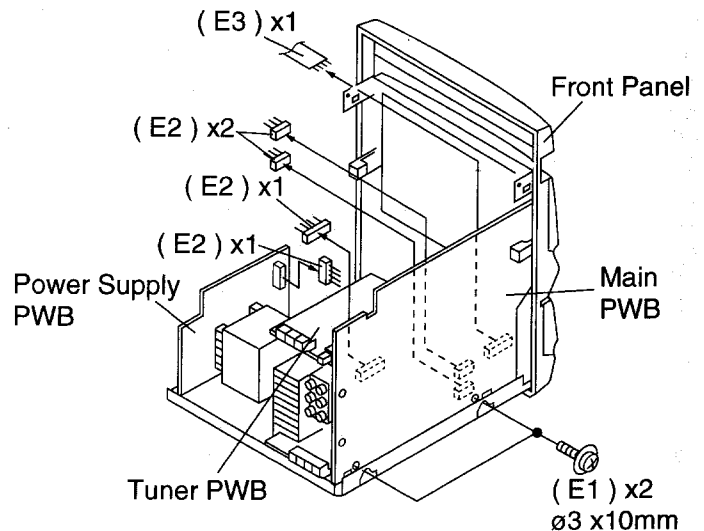


Figure 6-3

CD-K1600Z

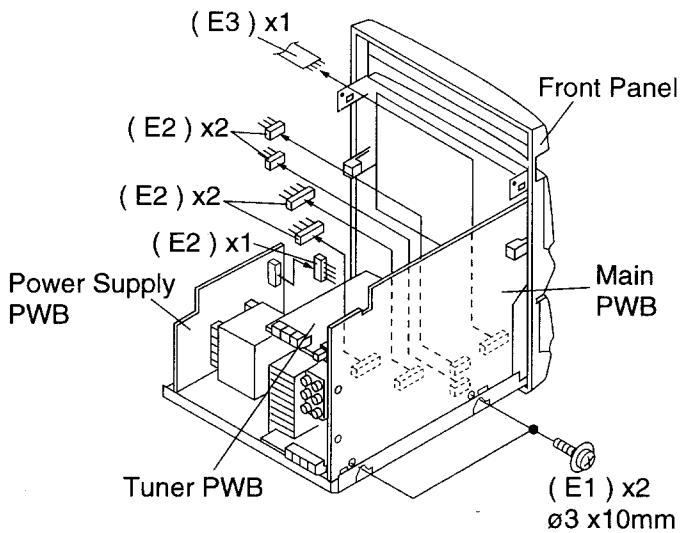


Figure 7-1

CD-C1600Z

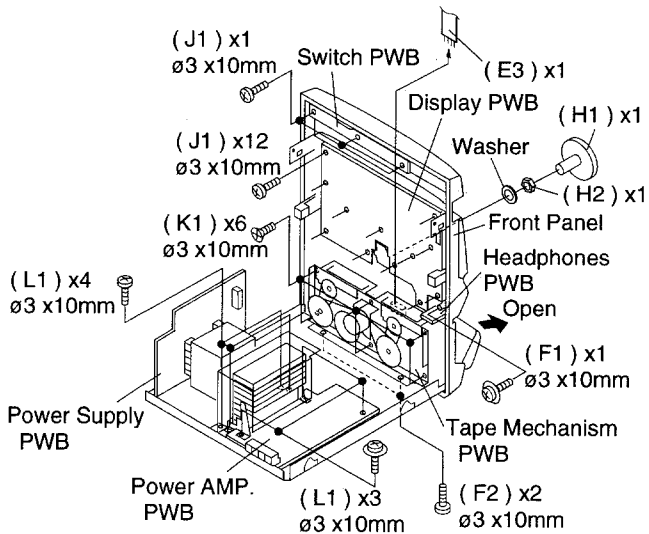


Figure 7-2

CD-K1600Z

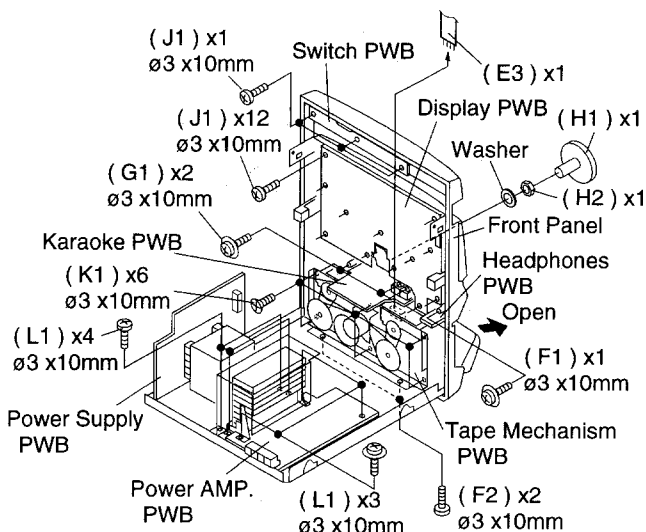


Figure 7-3

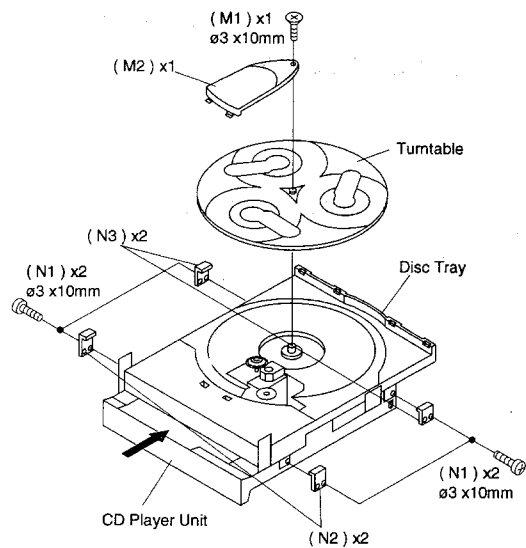
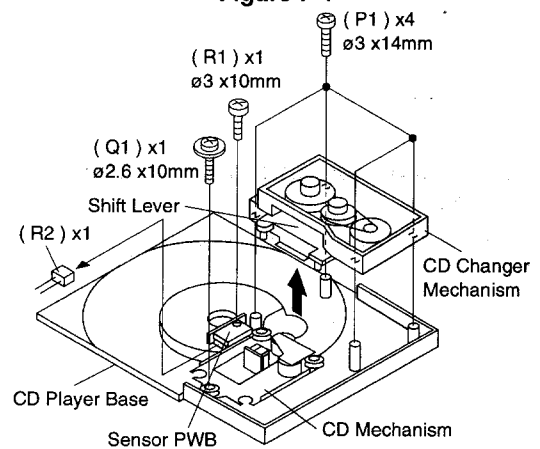


Figure 7-4



Care when installing the CD changer mechanism. Install the CD changer mechanism on the CD player base after the shift lever has been set in the highest position.

Figure 7-5

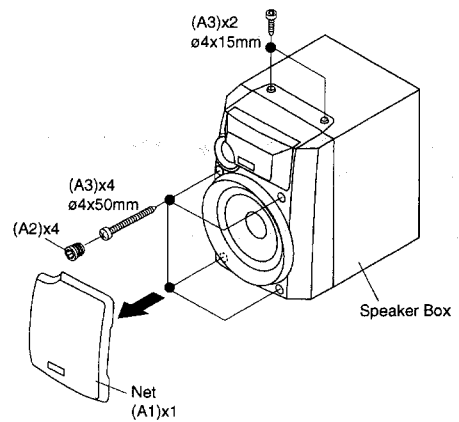


Figure 7-6

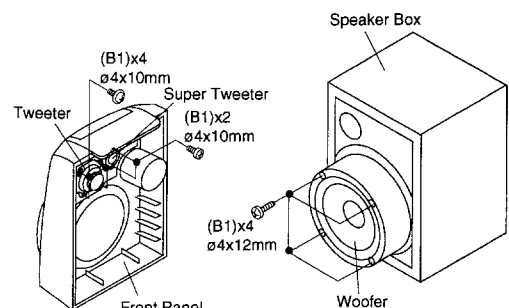


Figure 7-7

REMOVING AND REINSTALLING THE MAIN PARTS

CD MECHANISM SECTION

Perform steps 1, 2, 3, 10, 12,13 and 14 of the disassembly method to remove the CD mechanism.

How to remove the loading motor

(See Fig. 8-1)

1. Remove the screws (A1) x 2 pcs., to remove the loading motor.

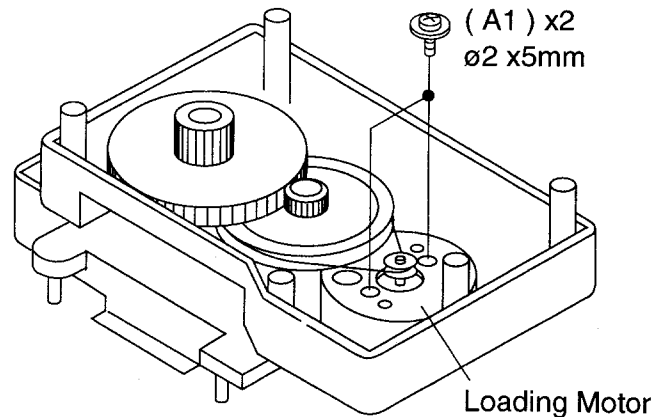


Figure 8-1

How to remove the turntable up/down motor

(See Fig. 8-2)

1. Remove the screws (B1) x 2 pcs., to remove the turntable up/down motor.

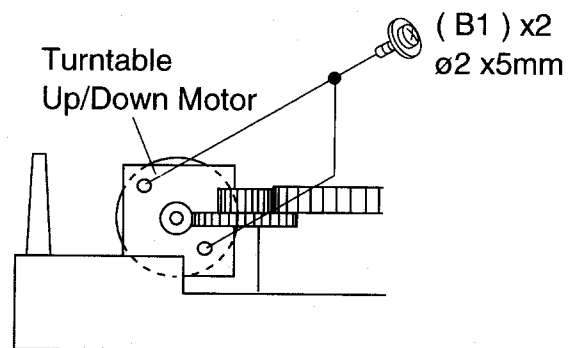


Figure 8-2

How to remove the pickup (See Fig. 8-3)

1. Remove the screws (C1) x 2 pcs., to remove the shaft (C2) x1pc..
2. Remove the stop washer (C3) x 1 pc., to remove the gear (C4) x 1 pc..
3. Remove the pickup.

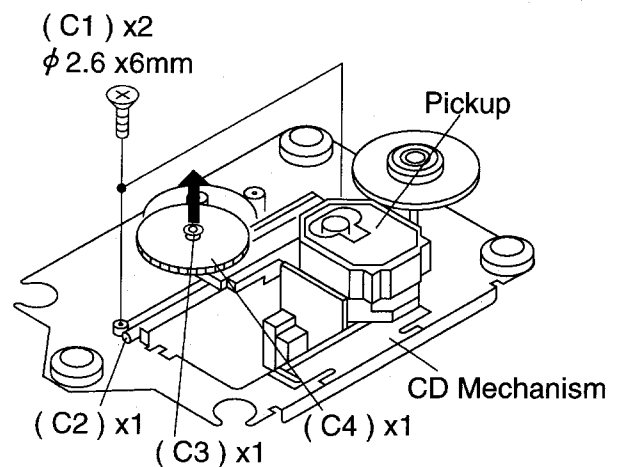


Figure 8-3

ADJUSTMENT

MECHANISM SECTION

• Driving Force Check

Torque Meter	Specified Value
Play: TW-2412	Tape 1: Over 80 g Tape 2: Over 80 g

• Torque Check

Torque Meter	Specified Value	
	Tape 1	Tape 2
Play: TW-2111	30 to 60 g.cm	30 to 60 g.cm
Fast forward: TW-2231	60 to 120 g.cm	60 to 120 g.cm
Rewind: TW-2231	60 to 120 g.cm	60 to 120 g.cm

• Tape Speed

	Test Tape	Adjusting Point	Specified Value	Instrument Connection
Normal speed	MTT-111	VRM01	3,000 ± 30 Hz	Speaker terminal

TAPE SECTION

Position of each switch or control	
Volume	MAX
3D Surround Mode Button	PASS
Pre-programmed Equalizer	FLAT
Extra Bass	OFF
Function	TAPE
Dolby NR switch	OFF
X-Bass	OFF

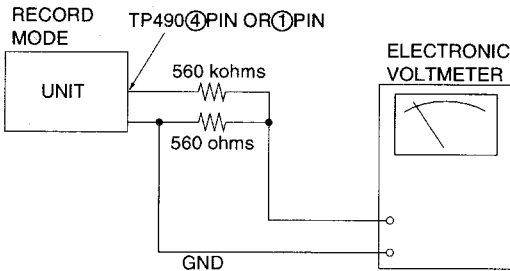


Figure 9-1 BIAS CURRENT

• Bias Frequency

Adjusting Point	Specified Value	Instrument Connection
—	98 ± 6 kHz	CNP102 ①

• Bias Current

Adjusting Point	Specified Value	Instrument Connection
L: VR101 R: VR102	Normal: 18 ± 3 mV CrO2: 29 ± 5 mV	L: TP490 ④ R: TP490 ①

• Tape 1 Playback Amplifier Sensitivity

Test Tape	Adjusting Point	Specified Value	Instrument Connection
MTT-150	L: VRD01 R: VRD02	Normal: 300 mV	L: TP451 ③ R: TP451 ①

• Tape 2 Playback Amplifier Sensitivity

Test Tape	Adjusting Point	Specified Value	Instrument Connection
MTT-150	L: VRD03 R: VRD04	Normal: 300 mV	L: TP451 ③ R: TP451 ①

• Record/Playback Sensitivity

Test Tape	Adjusting Point	Specified Value	Instrument Connection
UR-121	Record level control	215 mV	Input: VIDEO Output: L: TP451 ③ R: TP451 ①
	L: VR151 R: VR152	215 mV	

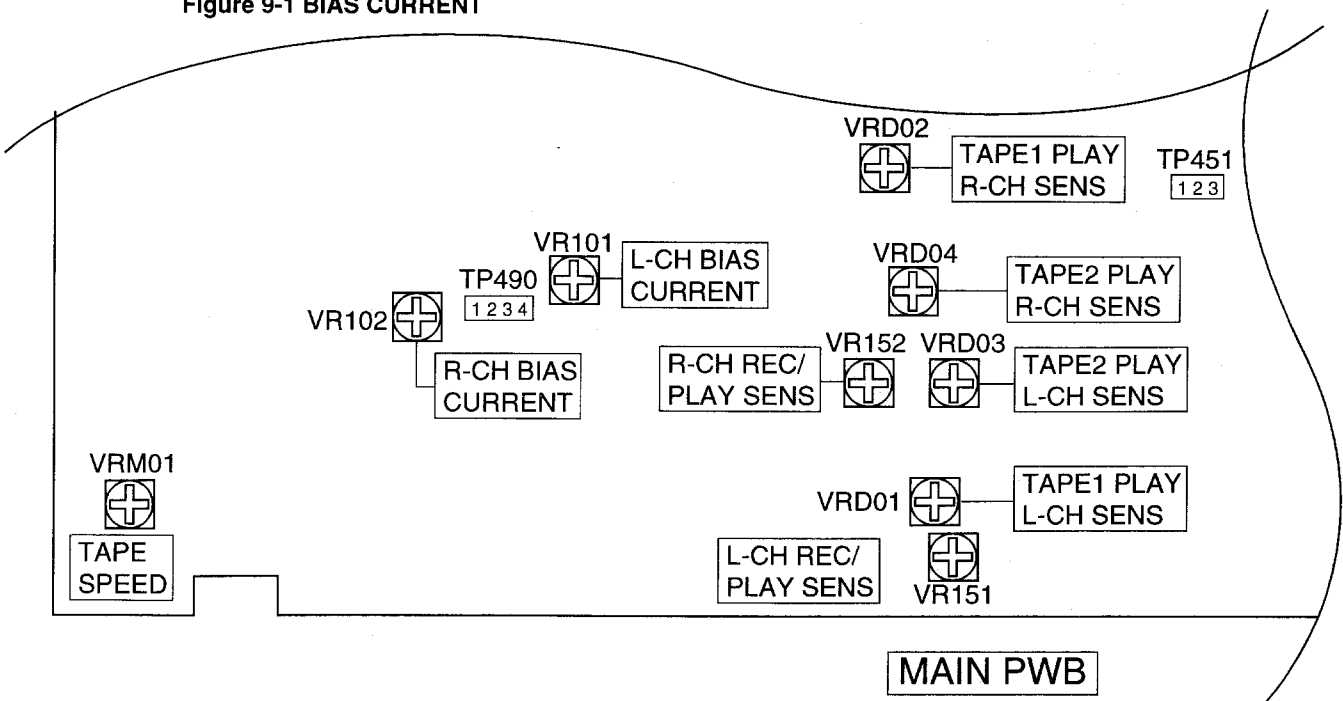


Figure 9-2 ADJUSTMENT POINTS

CD-C1600Z/CD-K1600Z

TUNER SECTION

fL: Low-range frequency
fH: High-range frequency

• AM IF/RF

Signal generator: 400 Hz, 30%, AM modulated

Test Stage	Frequency	Frequency Display	Setting/ Adjusting Parts	Instrument Connection
IF	450 kHz	1,602 kHz	T351	*1
MW Band Coverage	—	531 kHz	(fL): T306 1.1 ± 0.1 V	*2
SW1 Band Coverage	—	3.2 MHz	(fL): T307 2.0 ± 0.1 V	*2
SW1 Band Coverage	—	7.3 MHz	(fH): TC305 7.7 ± 0.2 V	*2
SW2 Band Coverage	—	9.5 MHz	(fL): T308 2.1 ± 0.1 V	*2
SW2 Band Coverage	—	21.85 MHz	(fH): TC304 7.7 ± 0.2 V	*2
MW Tracking	990 kHz	990 kHz	T302	*1
SW1 Tracking	3.9 MHz	3.9 MHz	(fL): T303	*1
SW1 Tracking	7.1 MHz	7.1 MHz	(fH): TC303	*1
SW2 Tracking	11.65 MHz	11.65 MHz	(fL): T304	*1
SW2 Tracking	21.45 MHz	21.45 MHz	(fH): TC302	*1

*1. Input: Antenna, Output: TP302

*2. Input: Antenna, Output: TP301

• FM RF

Signal generator: 1 kHz, 40 kHz dev., FM modulated

Test Stage	Frequency	Frequency Display	Setting/ Adjusting Parts	Instrument Connection
Band Coverage	—	87.5 kHz	(fL): LT02 3.7 ± 0.1 V	*1
RF	98 MHz 10 - 30 dB	98 MHz	LT01	*2

*1. Input: Antenna, Output: TP301

*2. Input: Antenna, Output: Speaker Terminal

• Setting the Test Mode

Keeping the TUNING (DOWN) button and MEMORY button pressed, turn on POWER. Then, the frequency is initially set in the memory as shown in Table. Call it with the PRESET button to use it for adjustment and check of tuner circuit.

Preset No.	FM	Preset No.	MW	Preset No.	SW1	Preset No.	SW2
1	87.50 MHz	6	531 kHz	11	3.2 MHz	16	9.5 MHz
2	108.00 MHz	7	1,602 kHz	12	7.3 MHz	17	21.85 MHz
3	90.00 MHz	8	603 kHz	13	3.9 MHz	18	11.65 MHz
4	106.00 MHz	9	1,404 kHz	14	7.1 MHz	19	21.45 MHz
5	98.00 MHz	10	990 kHz	15	5.06 MHz	20	15.1 MHz
21 - 40	—						

• FM Detection

Signal generator: 10.7 MHz, FM sweep

Test Stage	Frequency	Frequency Display	Setting/ Adjusting Parts	Instrument Connection
IF	10.7 MHz	98 MHz	TT01 (Turn the core of transformer TT01 fully counterclock wise)	*1

*1. Input: Antenna, Output: TP301

*2. Input: Antenna, Output: Speaker Terminal

• FM Mute Level

Signal generator: 1 kHz, 40 kHz dev., FM modulated

Frequency	Frequency Display	Adjusting Parts	Instrument Connection
98.00 MHz (25 dBμV)	98.00 MHz	VR351 *1	Input: Antenna Output: Speaker Terminal

*1. Adjust so that an output signal appears.

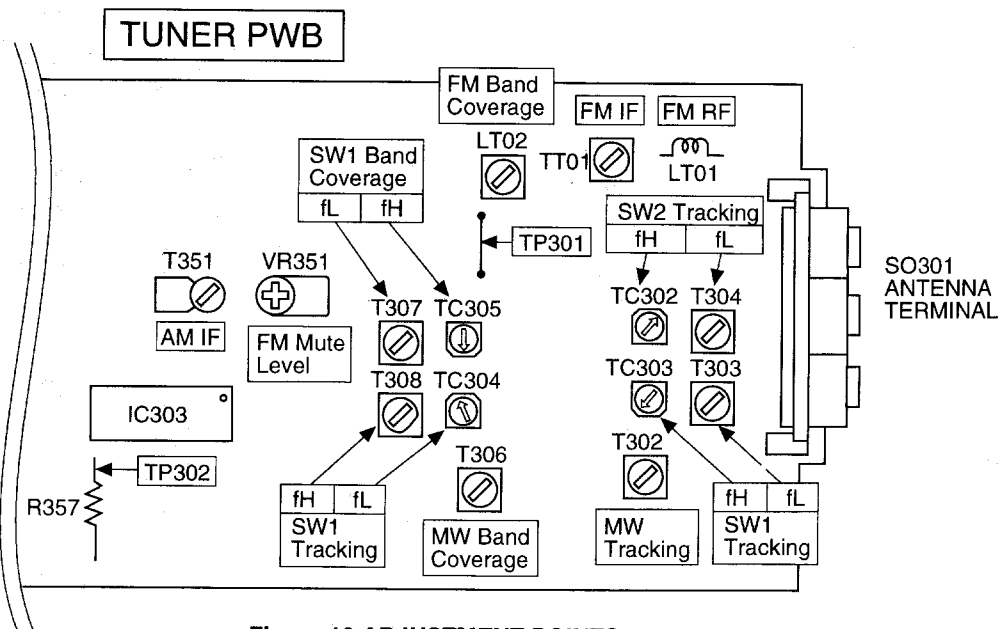


Figure 10 ADJUSTMENT POINTS

TEST MODE

• **Setting the test mode**

Any one of test mode can be set by pressing several keys as follows.

Hold down the MEMORY SET and CD buttons, and press the POWER switch. TEST: CD operation test

• **TEST mode**

Function — CD test mode

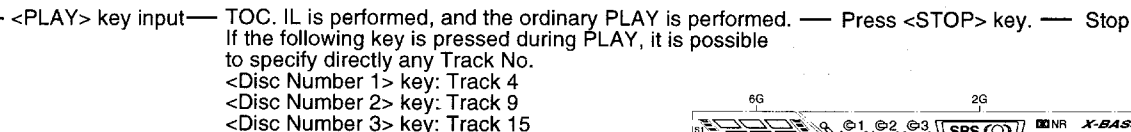
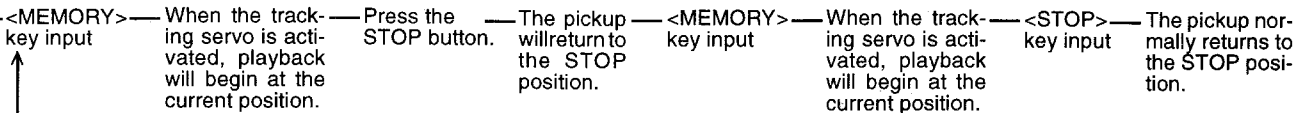
Setting of TEST mode

Indication of CD TEST mode (Fig. 11-1)

OPEN/CLOSE operation is manual operation.

The pickup can be moved by using the (▶▶) or (◀◀) key.

IL is not performed.



Note:

Only in STOP state it is possible to slide the pickup with the (▶▶) or (◀◀) key.

VOL. --- Last memory

BAL. --- CENTER

R.GEQ. --- FLAT

X-BAS --- OFF

Canceling method - POWER OFF

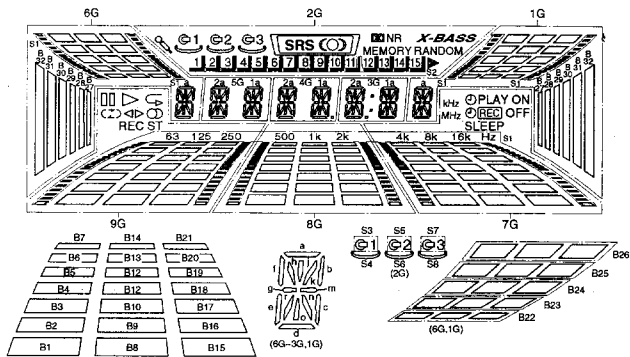


Figure 11 -1

CD SECTION

Since this CD system incorporates the following automatic adjustment function, when the pickup is replaced, it is not necessary to readjust it.

Since this CD unit does not need adjustment, the combination of PWB and laser pickup unit is not restricted.

• **Automatic adjustment item**

1. Focus offset (Fig. 11-2)
2. Tracking offset (Fig. 11-3)
3. E/F balance (tracking error balance) (Fig. 11-4)
4. RF level AGC function (HF level: constant)
5. RF level automatic follow-up of the tracking gain

This automatic adjustment is performed each time a disc is changed. Therefore, each disc is played back using the optimal settings.

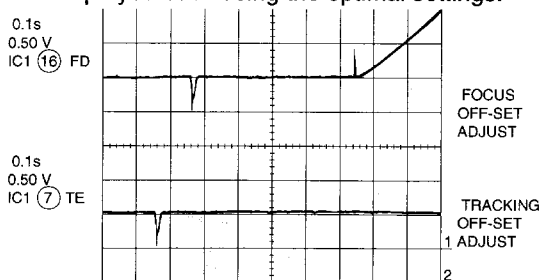


Figure 11-2

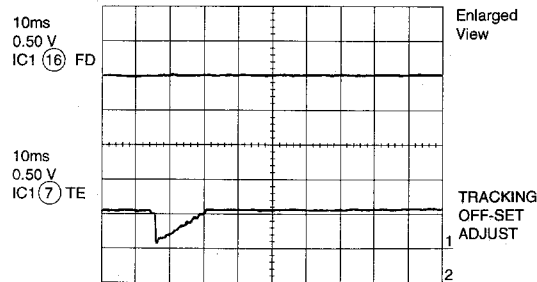


Figure 11-3

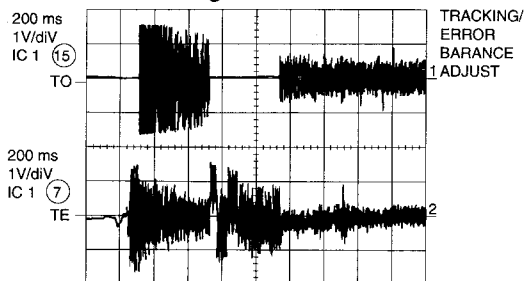


Figure 11-4

NOTES ON SCHEMATIC DIAGRAM

• Resistor:

To differentiate the units of resistors, such symbol as K and M are used: the symbol K means 1000 ohm and the symbol M means 1000 kohm and the resistor without any symbol is ohm-type resistor. Besides, the one with "Fusible" is a fuse type.

• Capacitor:

To indicate the unit of capacitor, a symbol P is used: this symbol P means micro-micro-farad and the unit of the capacitor without such a symbol is microfarad. As to electrolytic capacitor, the expression "capacitance/withstand voltage" is used.

(CH), (TH), (RH), (UJ): Temperature compensation

(ML): Mylar type

(P.P.): Polypropylene type

• Schematic diagram and Wiring Side of P.W.Board for this model are subject to change for improvement without prior notice.

• The indicated voltage in each section is the one measured by Digital Multimeter between such a section and the chassis with no signal given.

1. In the tuner section,

() indicates AM

< > indicates FM stereo

2. In the main section, a tape is being played back.

3. In the deck section, a tape is being played back.

() indicates the record state.

4. In the power section, a tape is being played back.

5. In the CD section, the CD is stopped.

• Parts marked with "△" (□ = = □) are important for maintaining the safety of the set. Be sure to replace these parts with specified ones for maintaining the safety and performance of the set.

REF. NO	DESCRIPTION	POSITION
SW1	DISC NUMBER	ON—OFF
SW2	OPEN/CLOSE	ON—OFF
SW3	MECHA UP	ON—OFF
SW4	PICKUP IN	ON—OFF
SW202	SPAN SELECTOR	50/9—100/10
SW701	CLER	ON—OFF
SW702	MEMORY/SET	ON—OFF
SW703	CLOCK	ON—OFF
SW704	SLEEP	ON—OFF
SW705	TIMER	ON—OFF
SW706	POWER	ON—OFF
SW707	F-PLAY	ON—OFF
SW708	REVERSE MODE	ON—OFF
SW709	EDIT	ON—OFF
SW710	HIGH	ON—OFF
SW711	REC PAUSE	ON—OFF
SW712	X-BASS	ON—OFF
SW713	EQ/DEMO	ON—OFF
SW714	STOP	ON—OFF
SW715	TUNING UP/CUE	ON—OFF
SW716	PASS	ON—OFF
SW717	MONO	ON—OFF
SW718	STEREO	ON—OFF
SW719	VOLUME-UP	ON—OFF

REF. NO	DESCRIPTION	POSITION
SW720	VOLUME-DOWN	ON—OFF
SW721	TUNING DOWN/REV	ON—OFF
SW722	CD PAUSE	ON—OFF
SW723	R-PLAY	ON—OFF
SW724	DOLBY NR	ON—OFF
SW725	KARAOKE(CD-K1600Z ONLY)	ON—OFF
SW726	CD	ON—OFF
SW727	TUNER	ON—OFF
SW728	TAPE	ON—OFF
SW729	VIDEO/AUX	ON—OFF
SW730	DISC 1	ON—OFF
SW731	DISC 2	ON—OFF
SW732	DISC 3	ON—OFF
SW733	DISC SKIP	ON—OFF
SW734	OPEN/CLOSE	ON—OFF
SW735	JOG	ON—OFF
SW801	VOLTAGE SELECTOR	ON—OFF
SWE1	TAPE 2 SIDE A FP	ON—OFF
SWE2	TAPE 2 PLAY	ON—OFF
SWE3	TAPE 2 SIDE B FP	ON—OFF
SWE4	TAPE 2 CrO2 DETECTION	ON—OFF
SWE7	TAPE 1 CrO2 DETECTION	ON—OFF
SWE9	TAPE 1 PLAY	ON—OFF

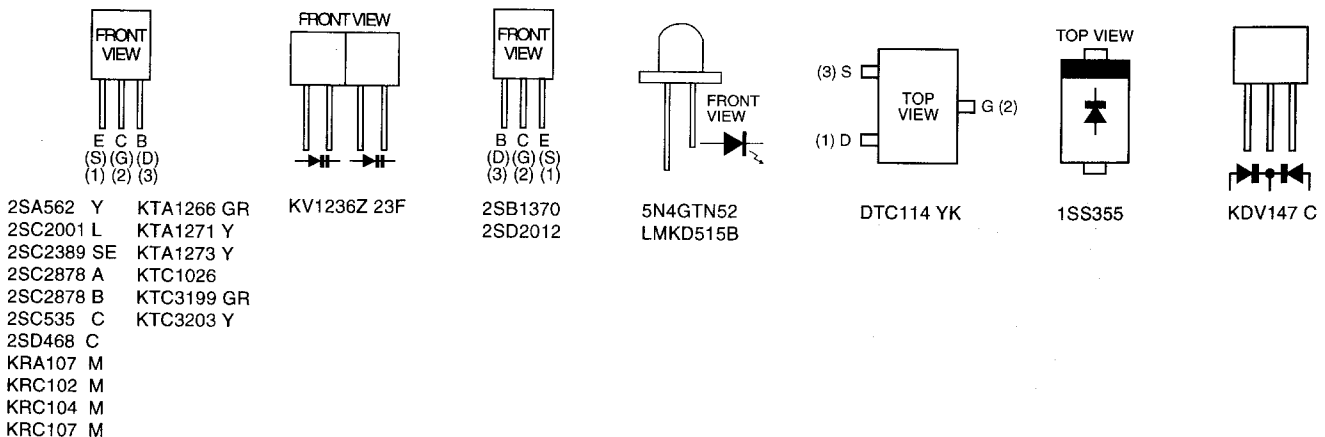


Figure 12 TYPES OF TRANSISTOR AND LED

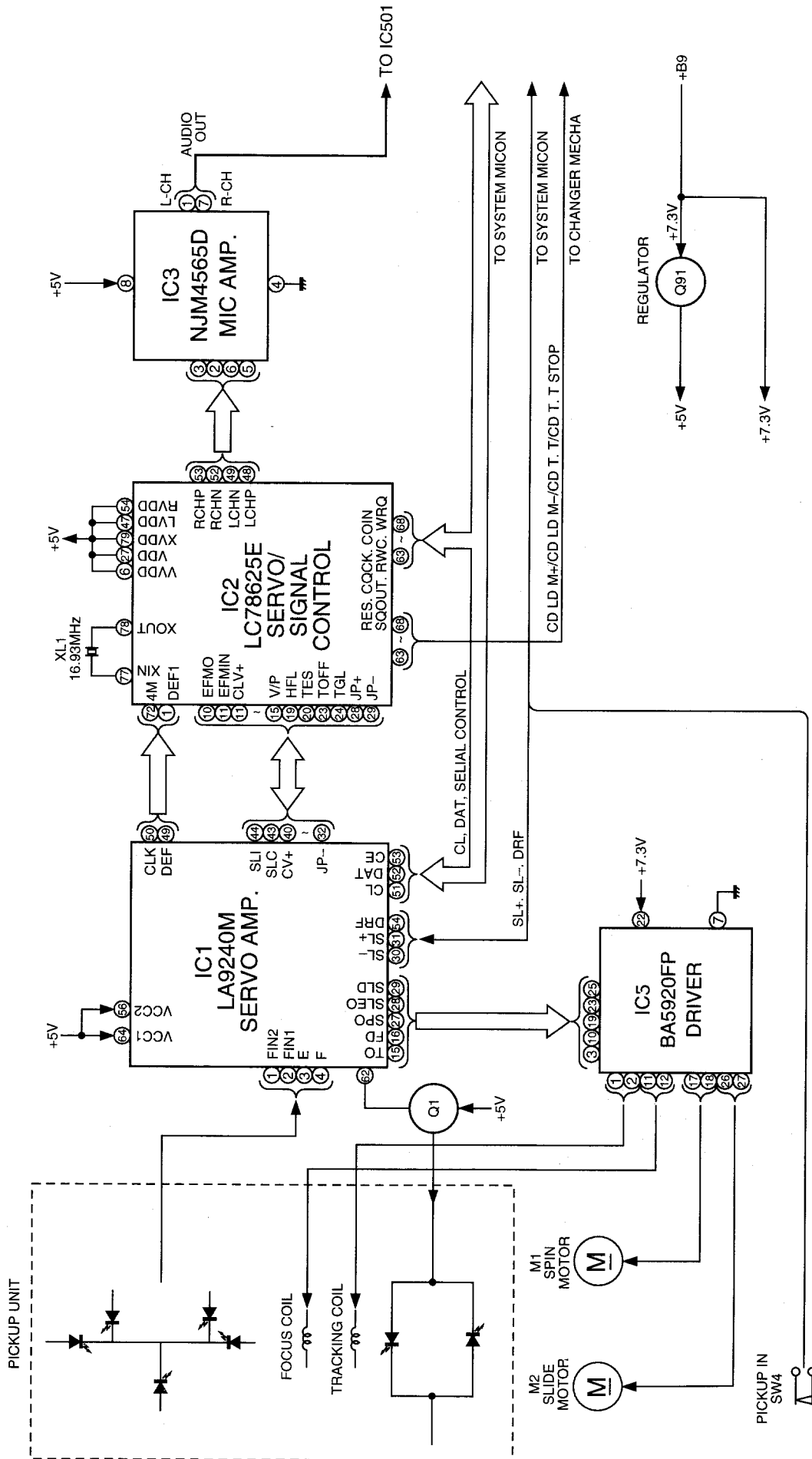


Figure 13 BLOCK DIAGRAM (1/3)

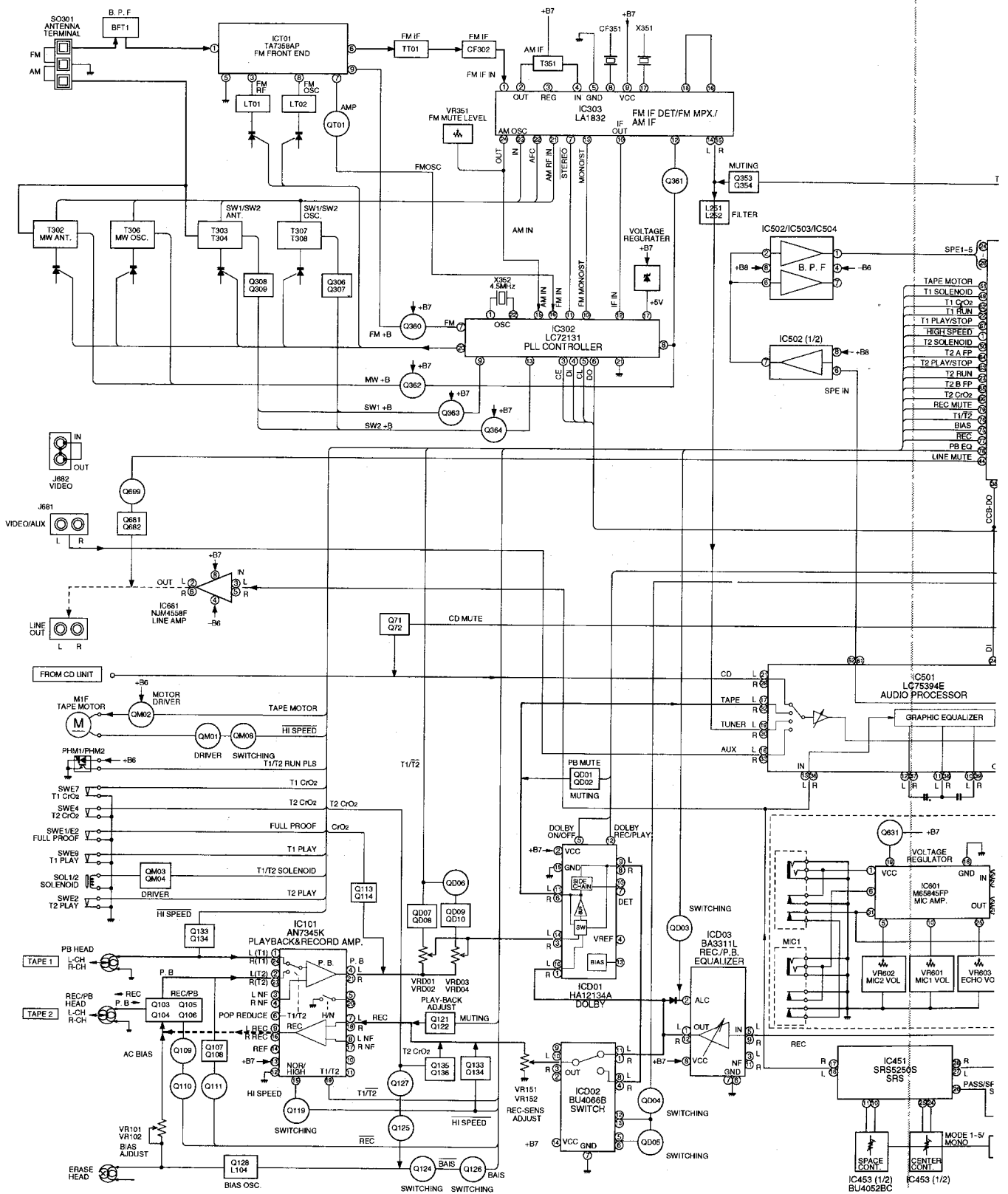


Figure 14 BLOCK DIAGRAM (2/3)

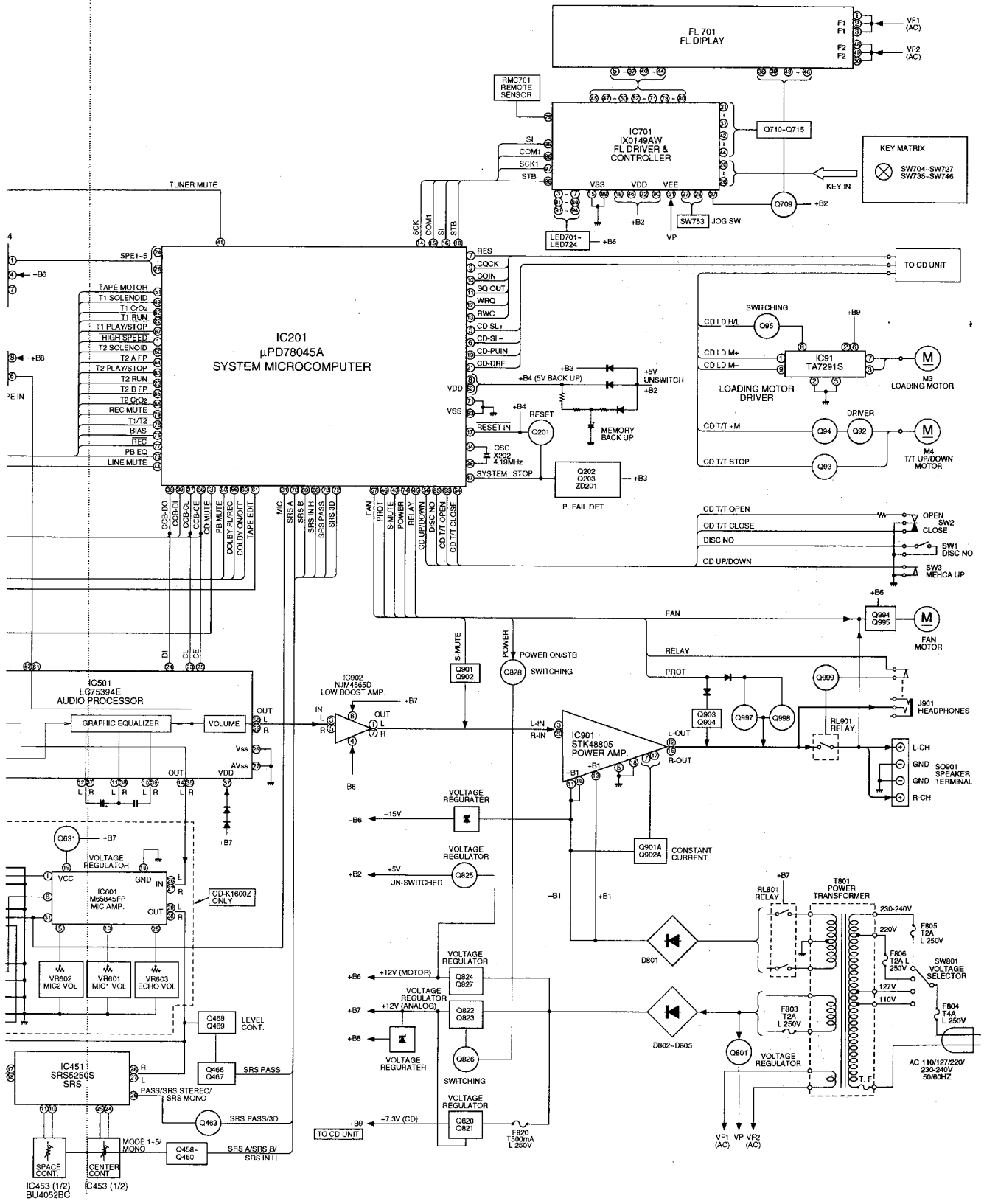
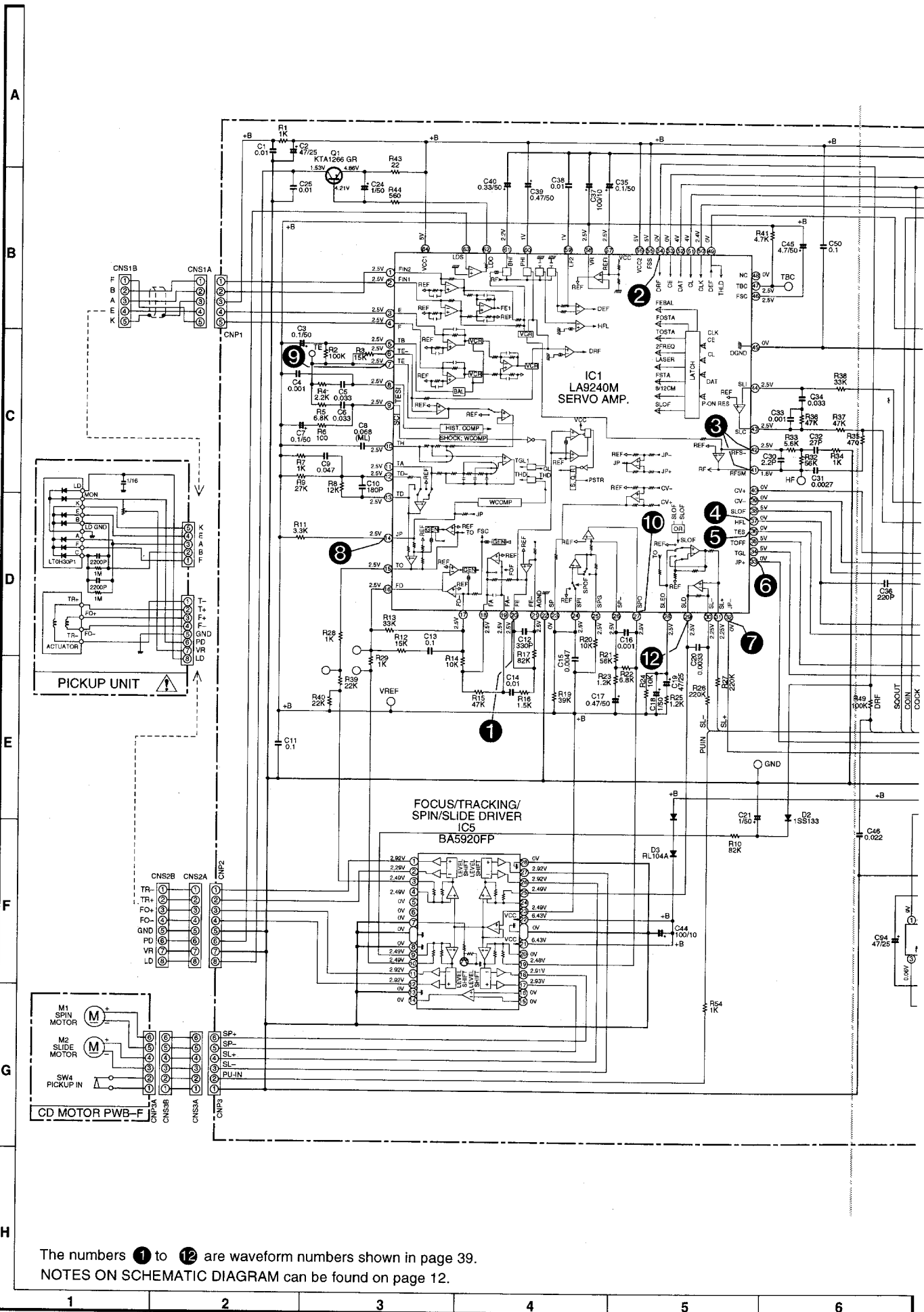
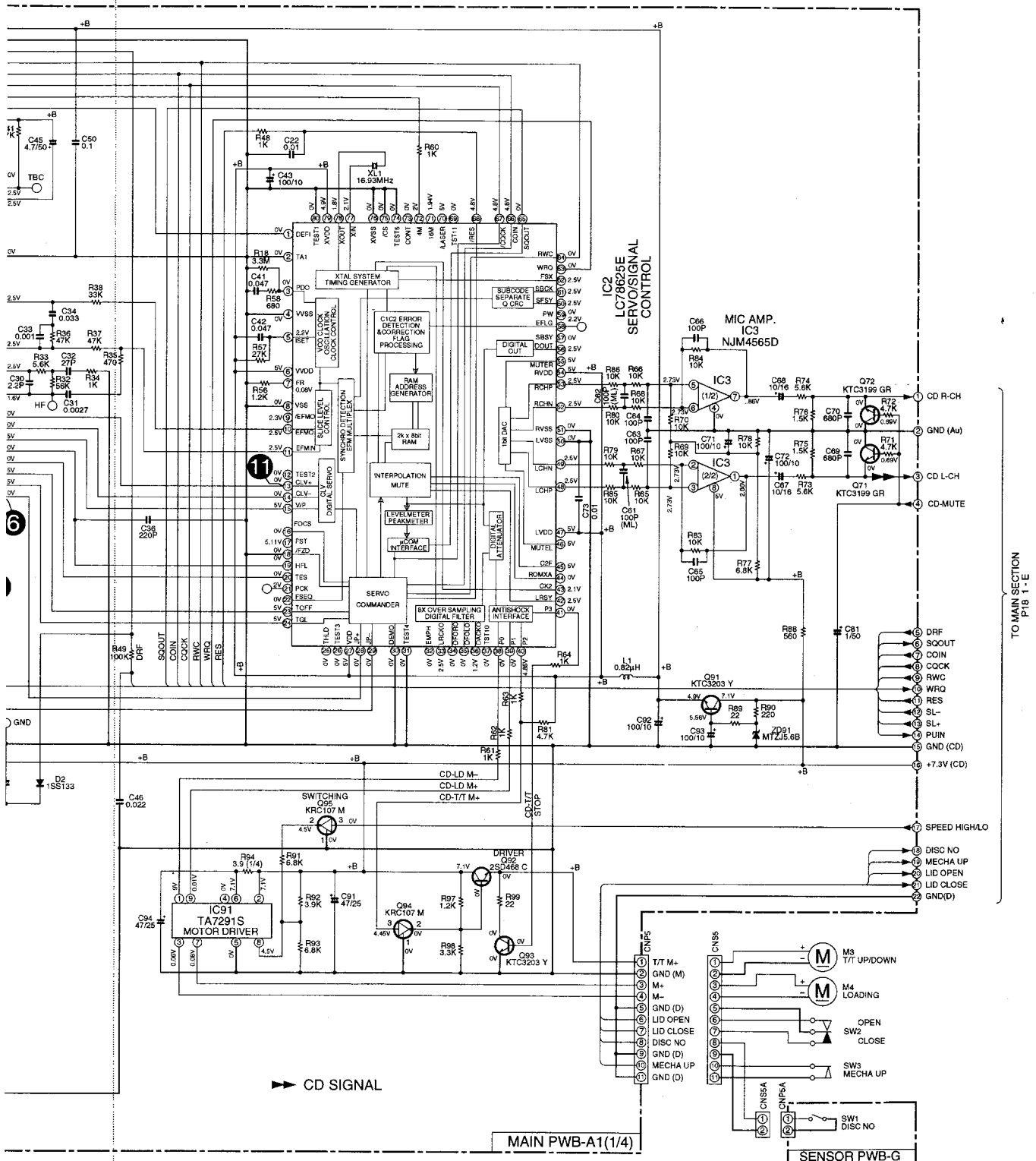


Figure 15 BLOCK DIAGRAM (3/3)



The numbers 1 to 12 are waveform numbers shown in page 39.
 NOTES ON SCHEMATIC DIAGRAM can be found on page 12.

Figure 16 SCHEMATIC DIAGRAM (1/16)



7	8	9	10	11	12
---	---	---	----	----	----

Figure 17 SCHEMATIC DIAGRAM (2/16)

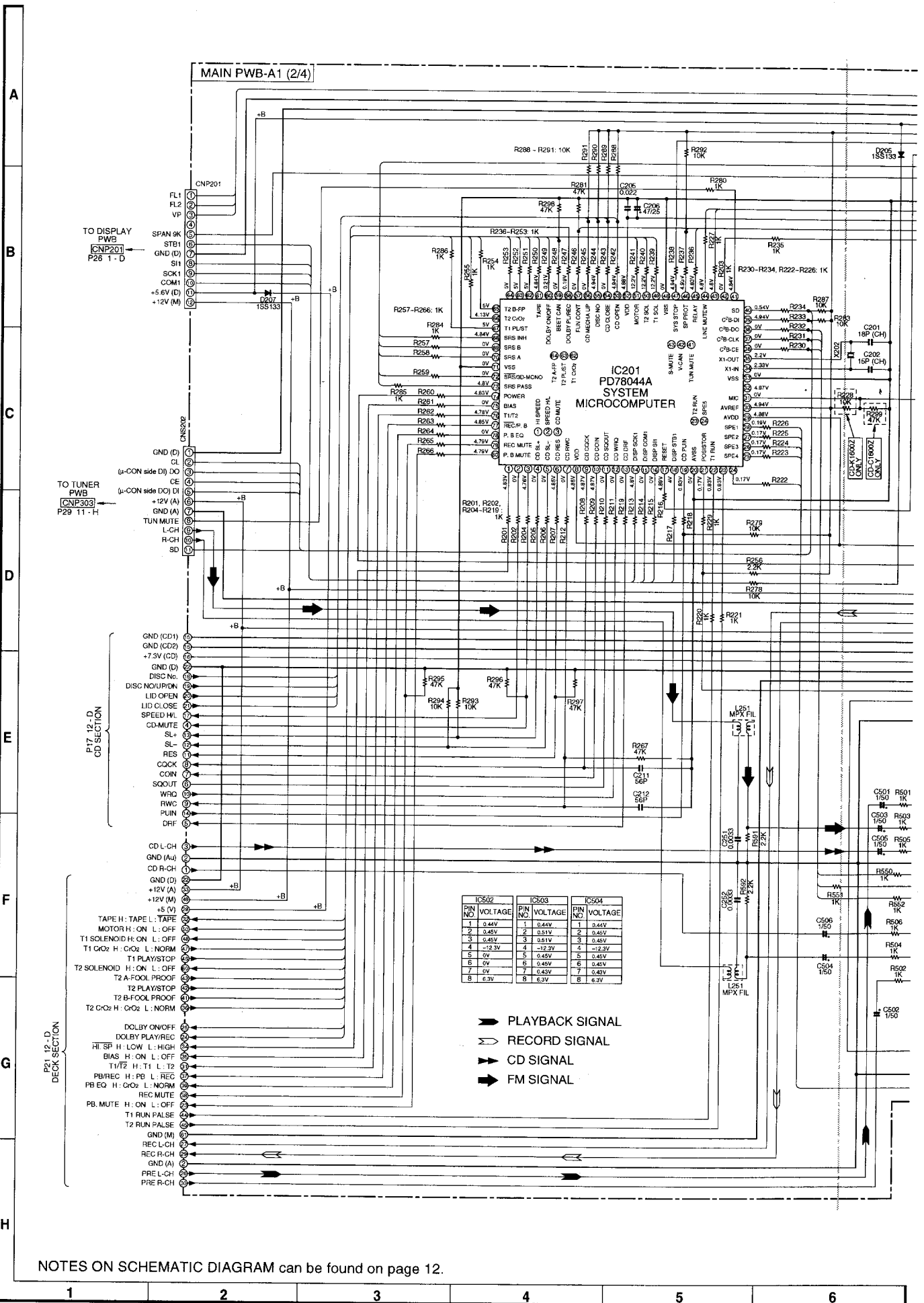
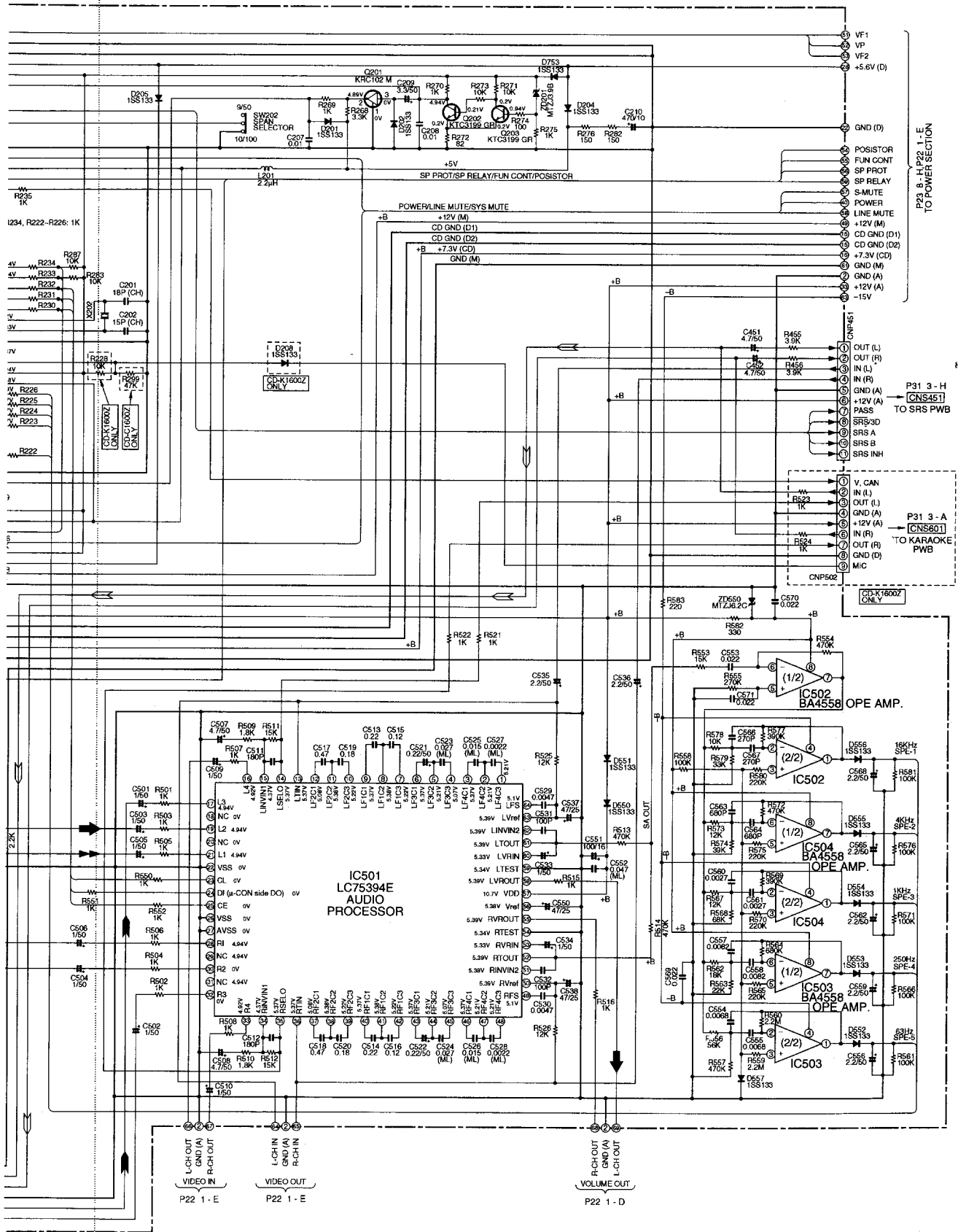


Figure 18 SCHEMATIC DIAGRAM (3/16)



7	8	9	10	11	12
---	---	---	----	----	----

Figure 19 SCHEMATIC DIAGRAM (4/16)

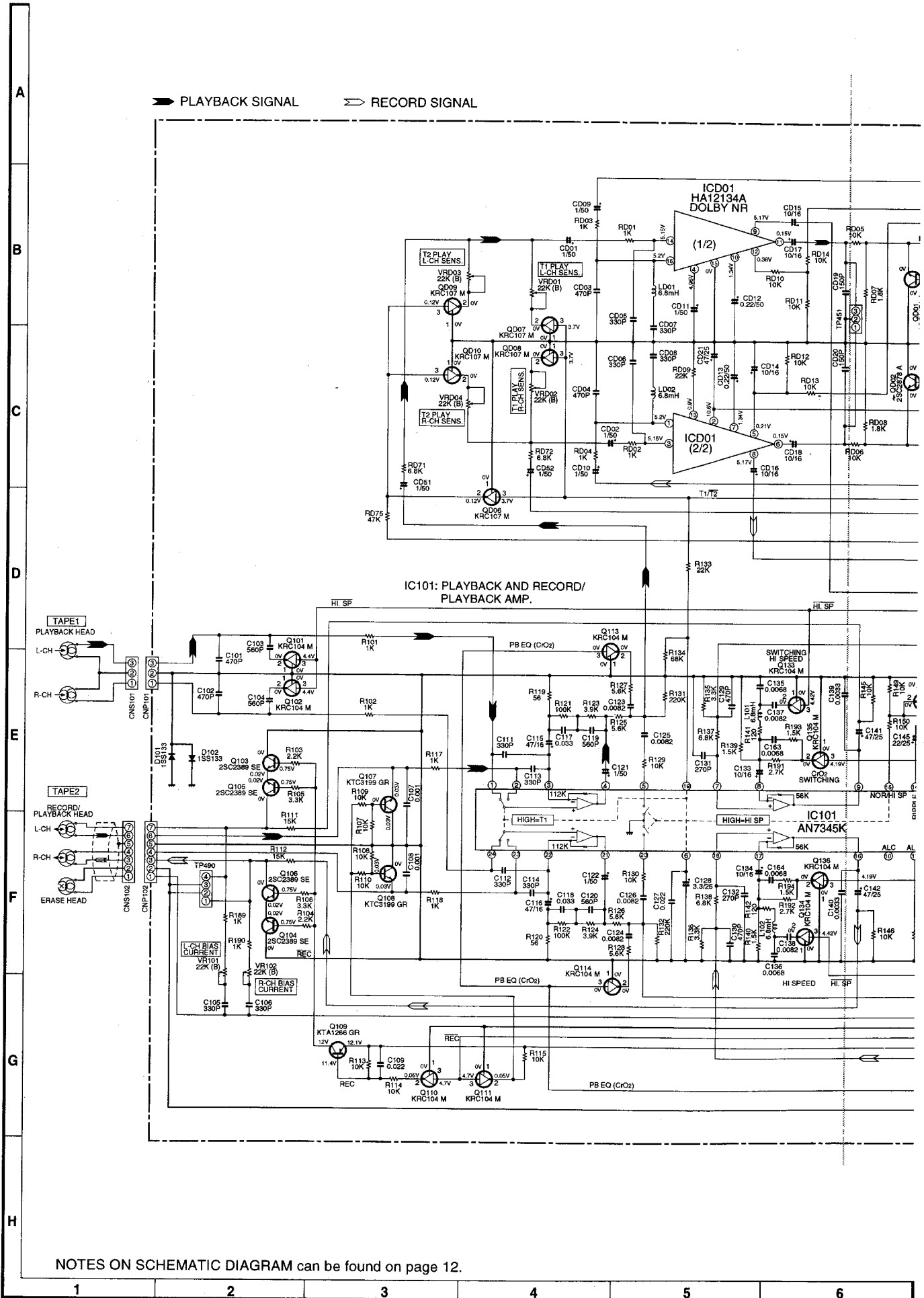
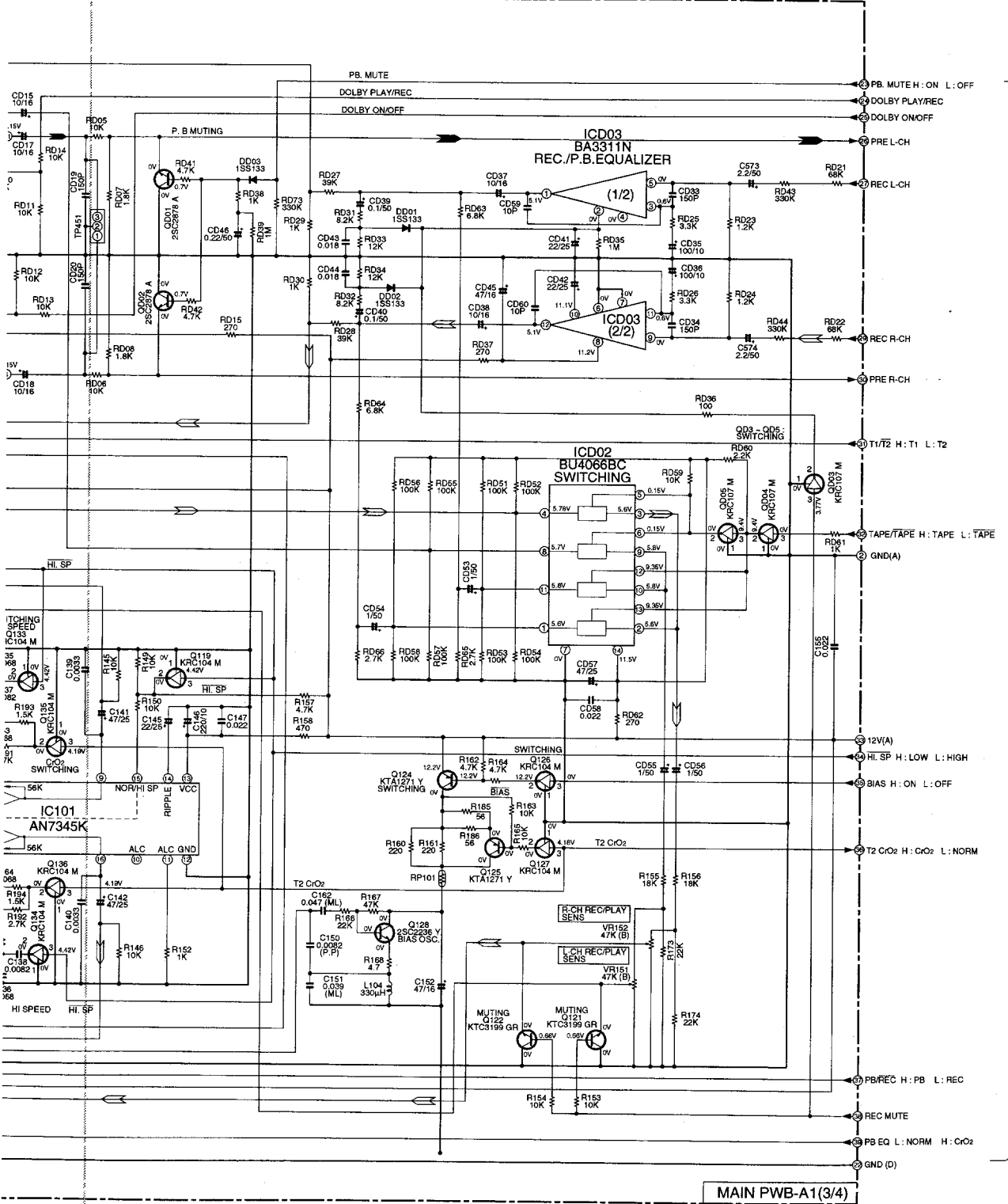


Figure 20 SCHEMATIC DIAGRAM (5/16)



P18 1 - G.P23 12 - C TO MAIN SECTION

7	8	9	10	11	12
---	---	---	----	----	----

Figure 21 SCHEMATIC DIAGRAM (6/16)

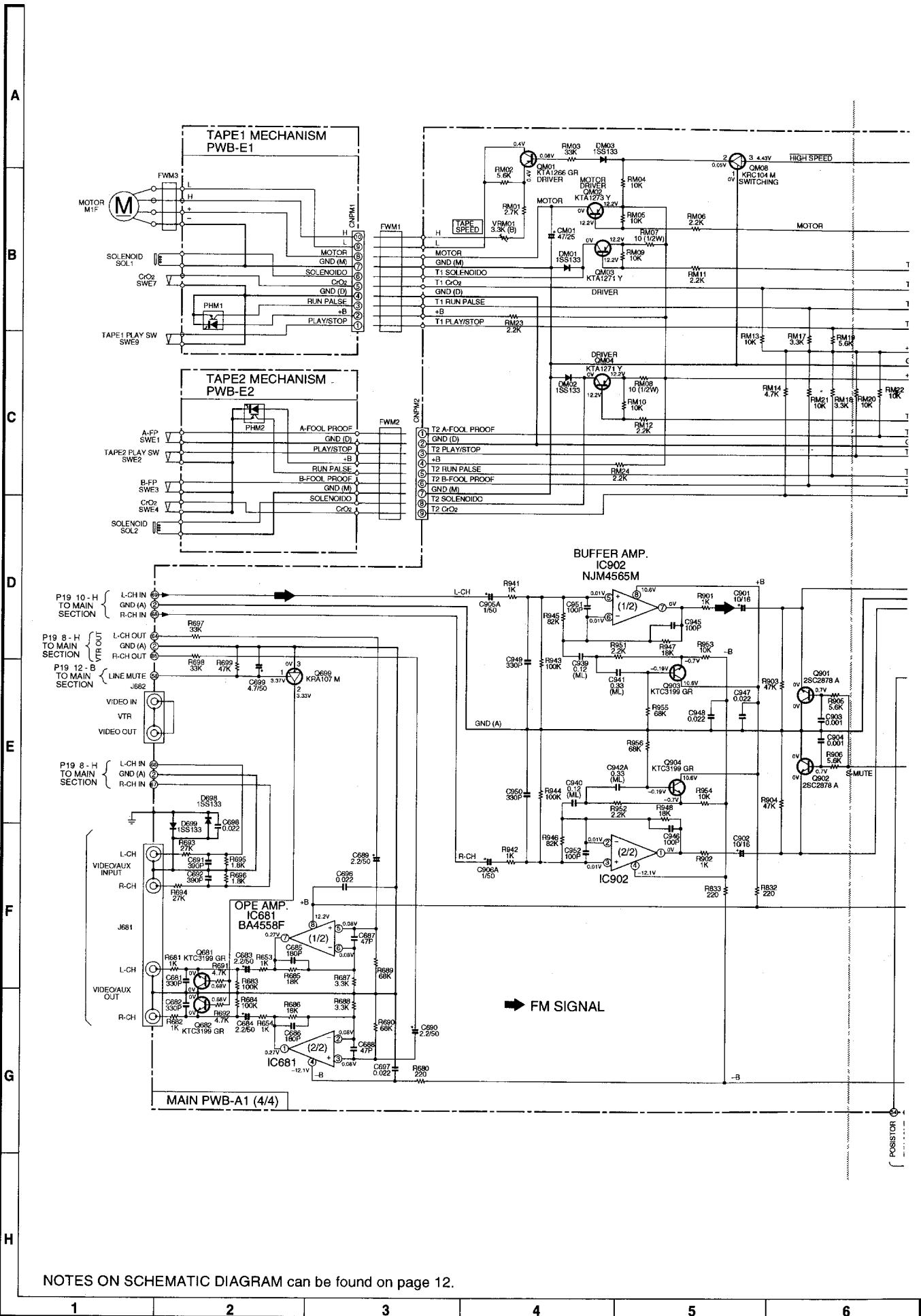


Figure 22 SCHEMATIC DIAGRAM (7/16)

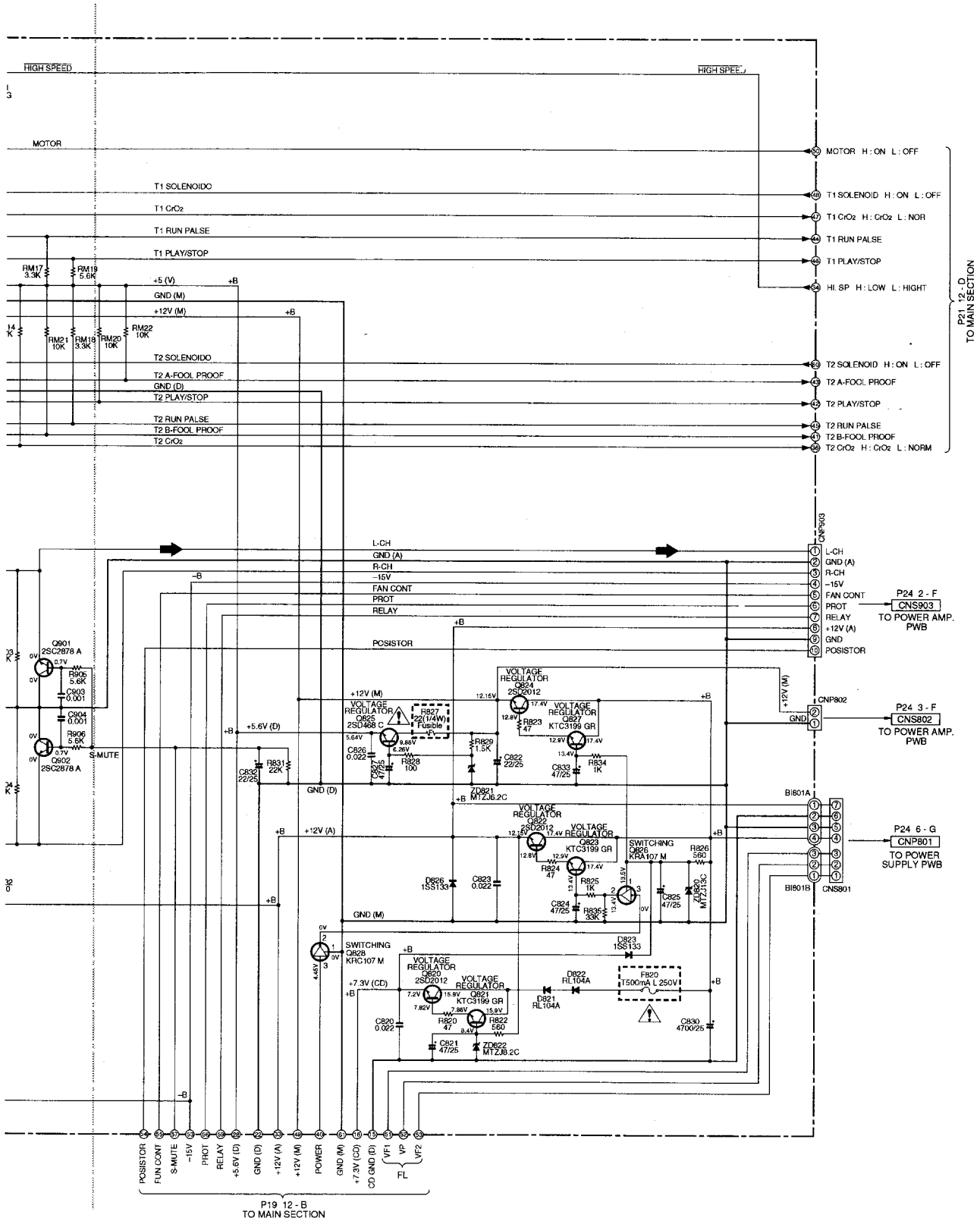
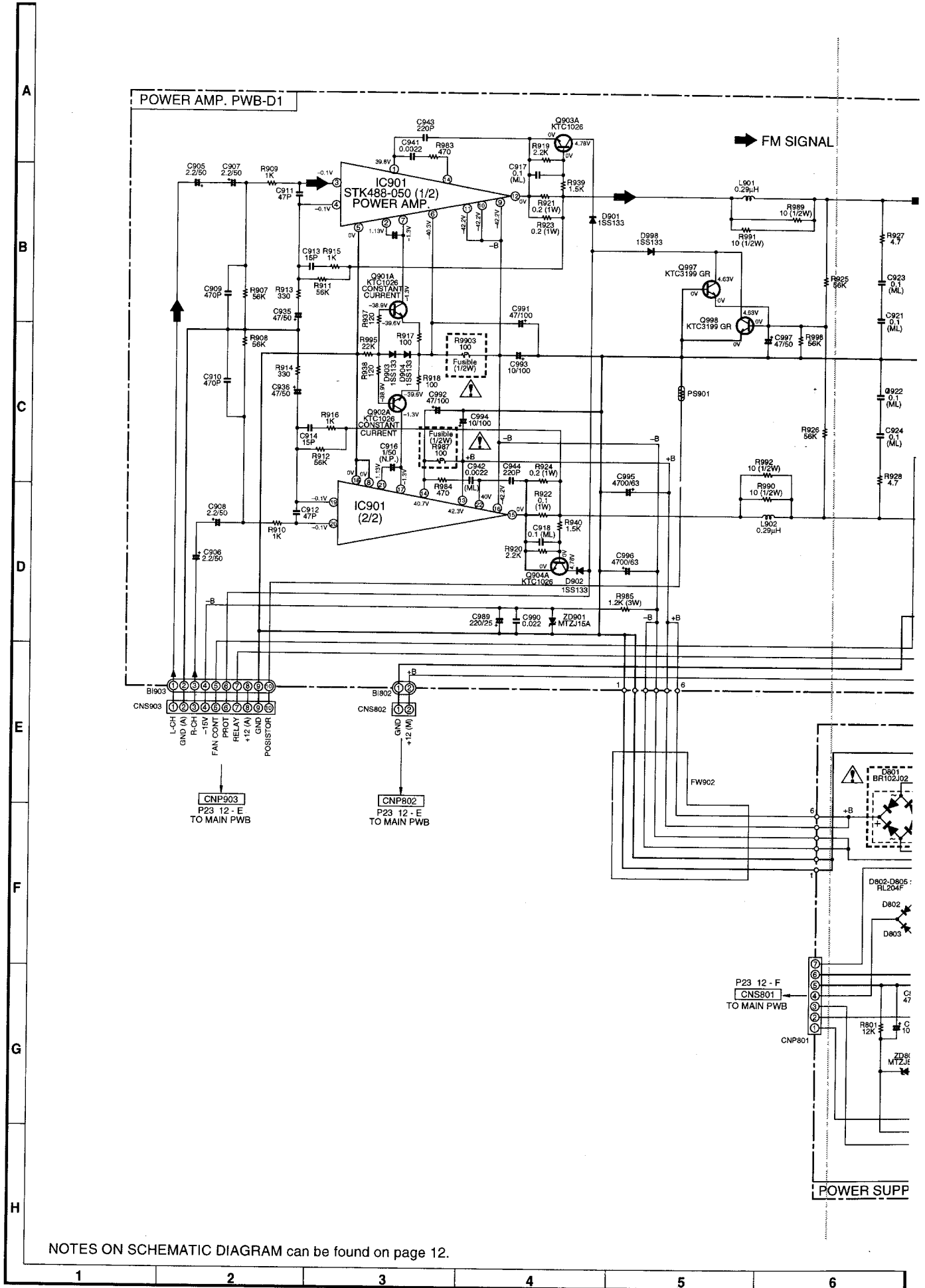
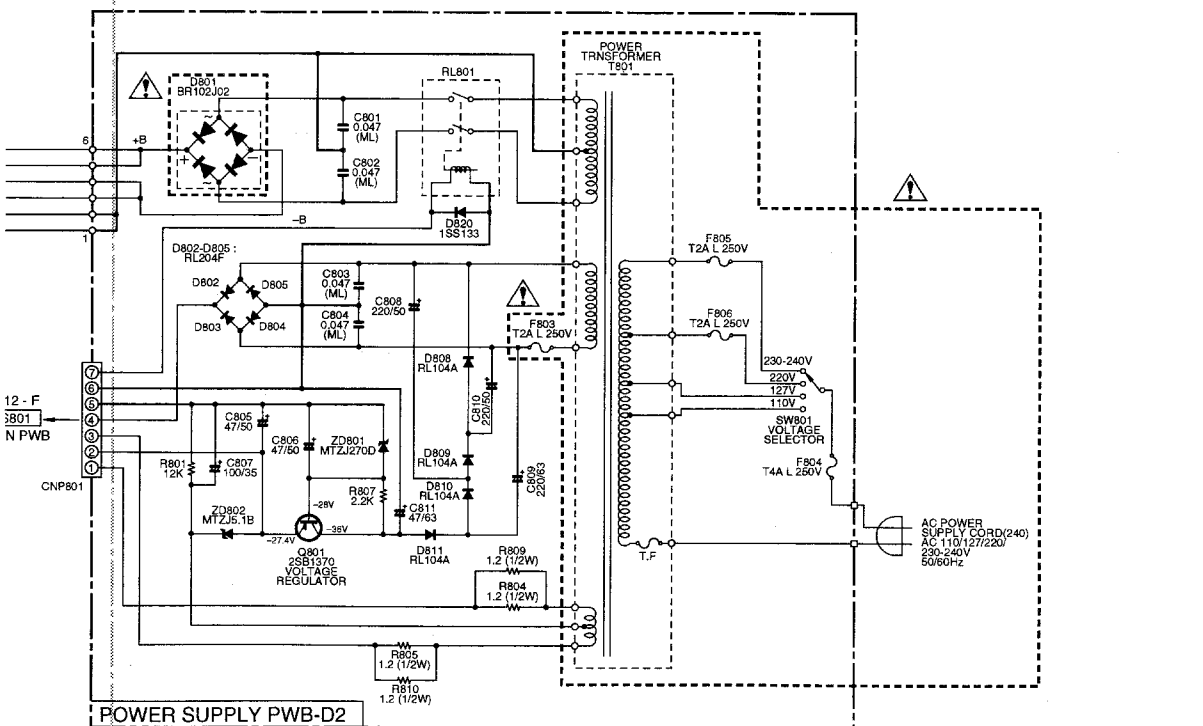
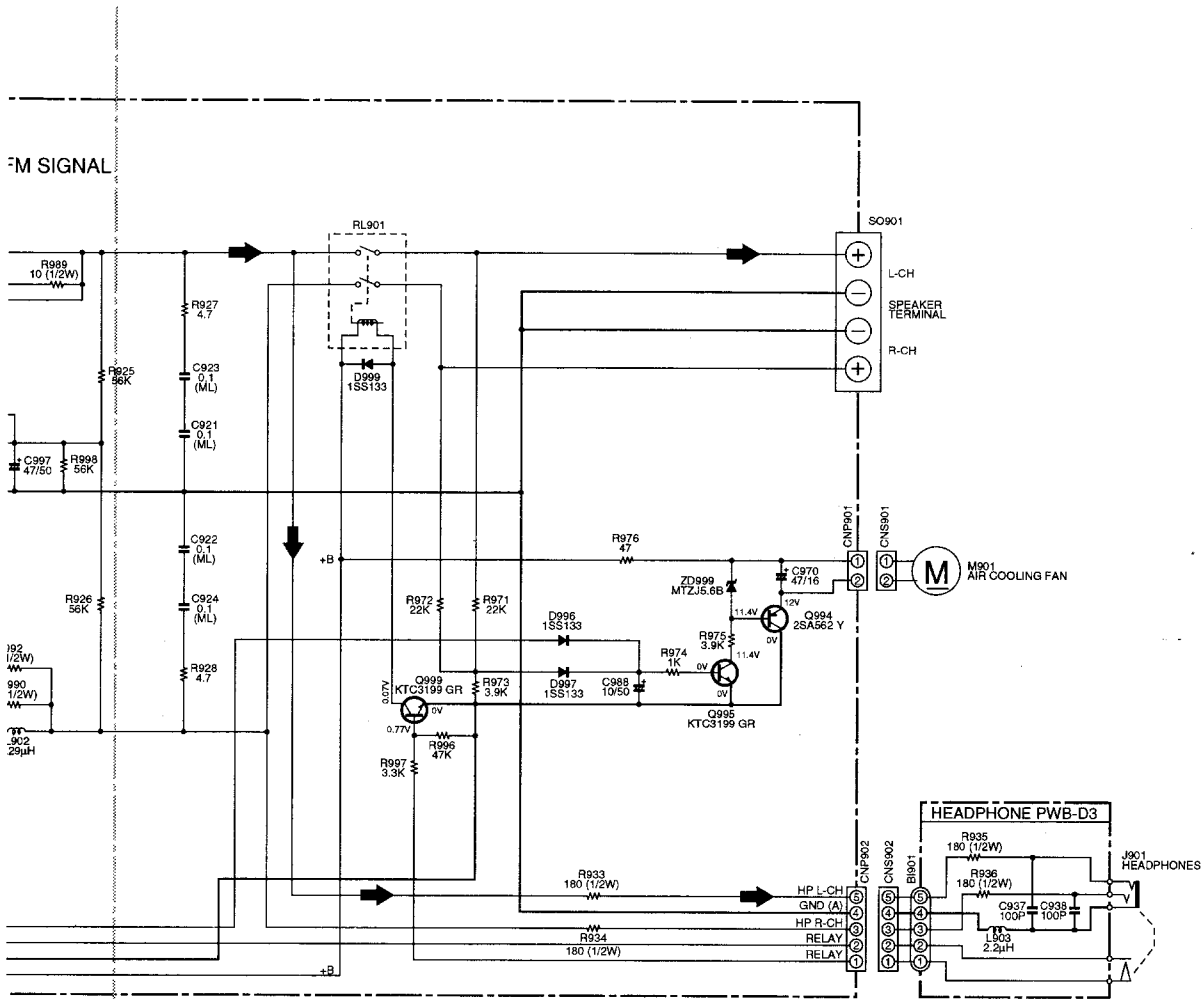


Fig 23 SCHEMATIC DIAGRAM (8/16)



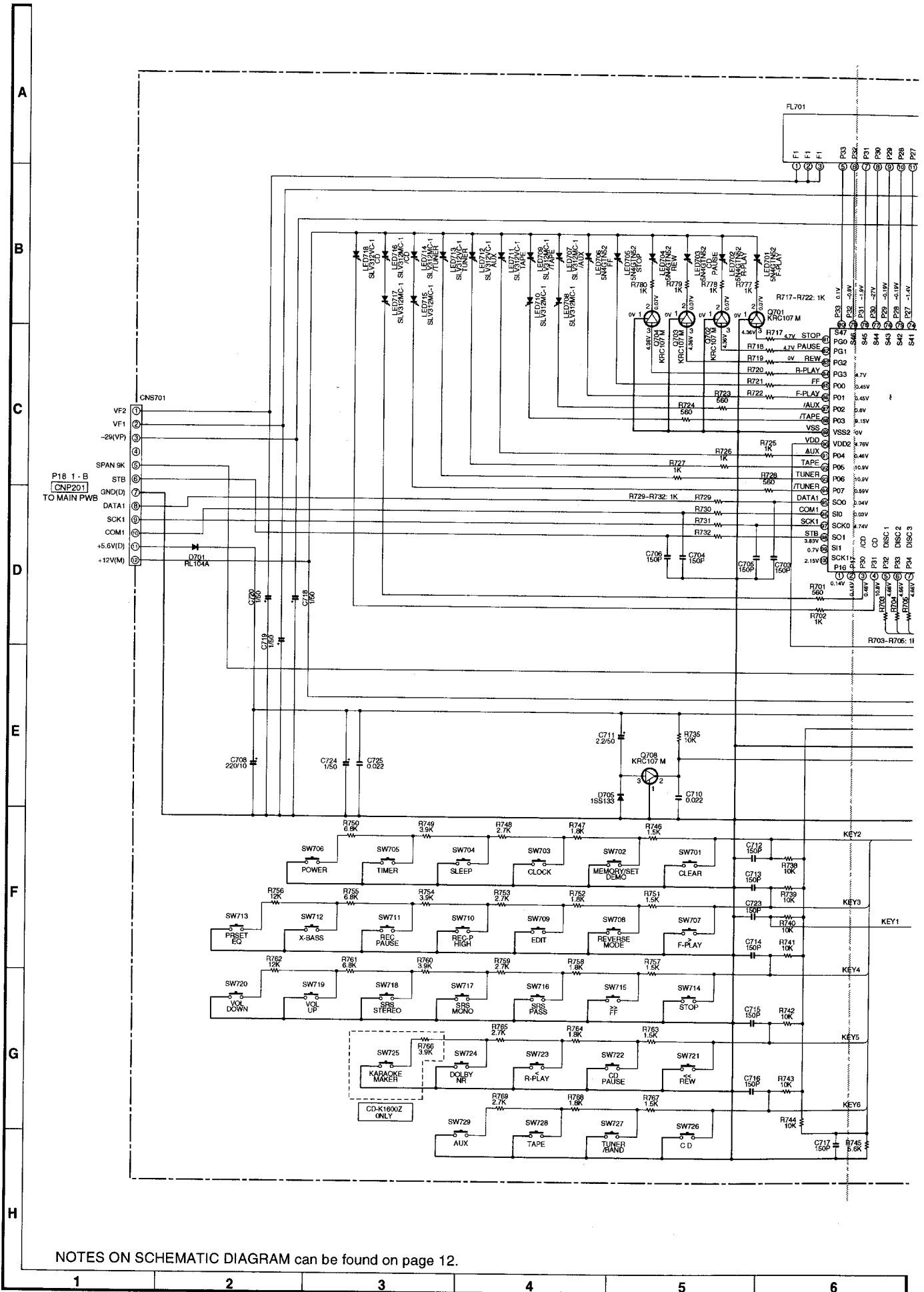
NOTES ON SCHEMATIC DIAGRAM can be found on page 12.

Figure 24 SCHEMATIC DIAGRAM (9/16)



7	8	9	10	11	12
---	---	---	----	----	----

Figure 25 SCHEMATIC DIAGRAM (10/16)



NOTES ON SCHEMATIC DIAGRAM can be found on page 12.

Figure 26 SCHEMATIC DIAGRAM (11/16)

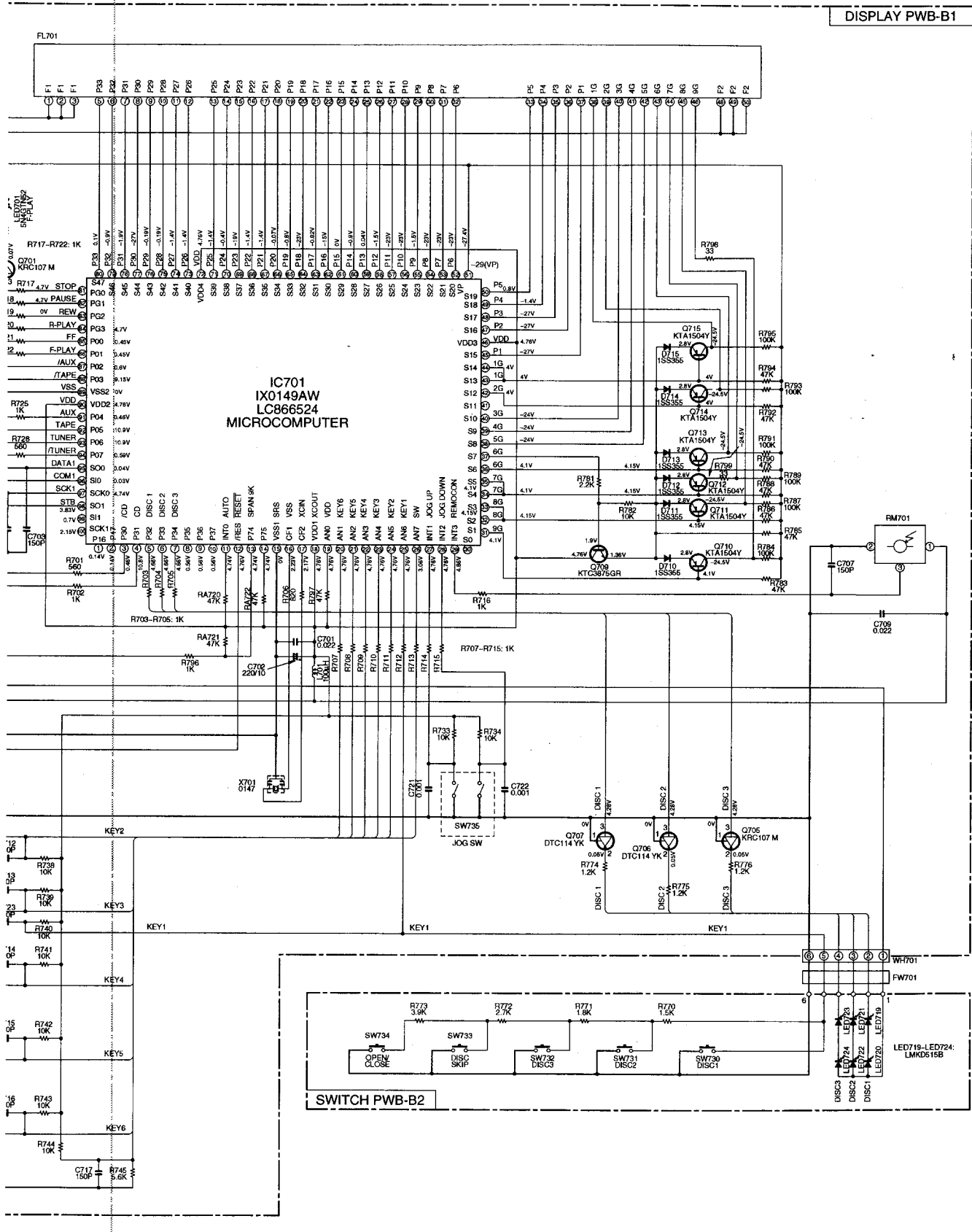
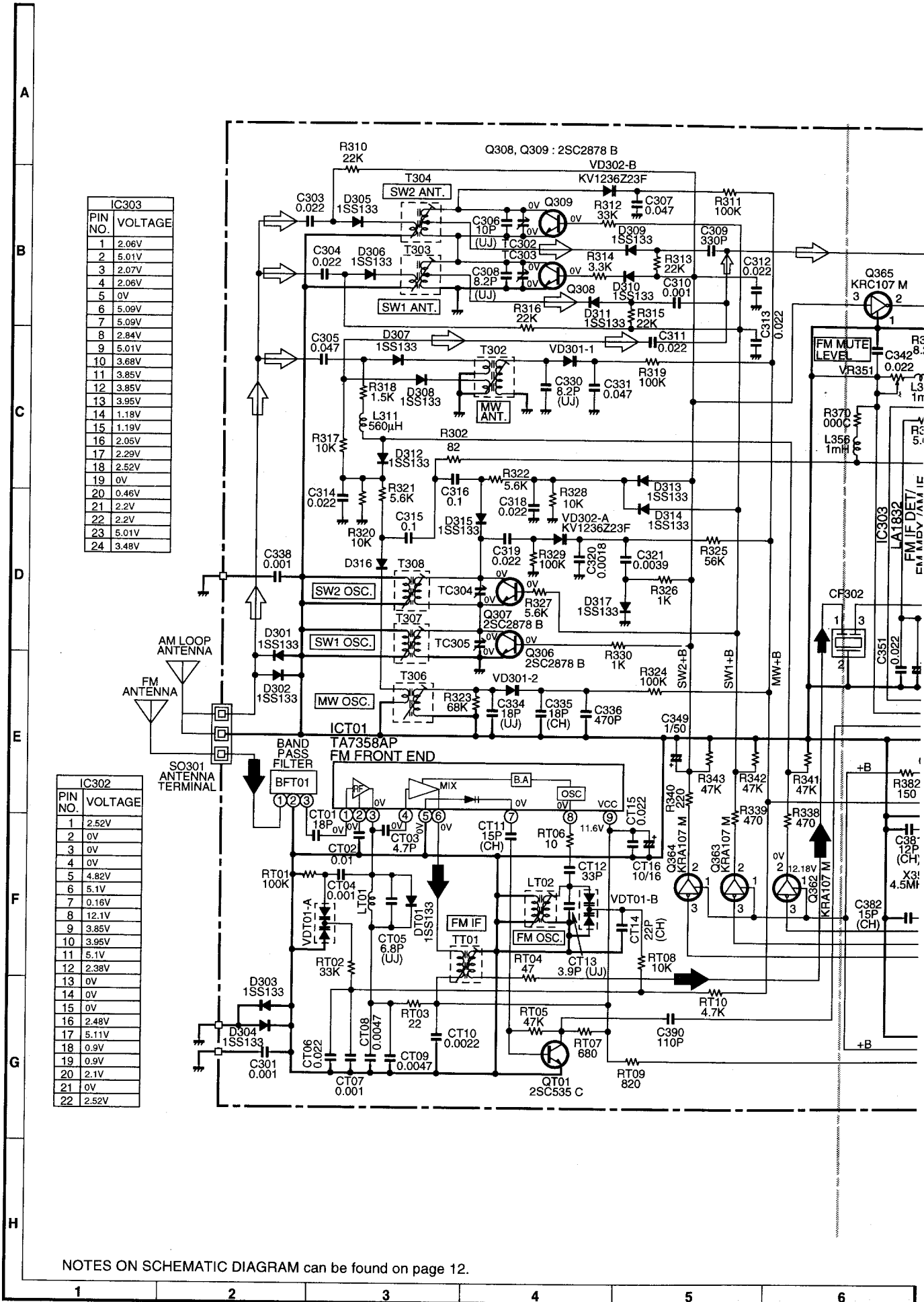


Figure 27 SCHEMATIC DIAGRAM (12/16)



IC303	
PIN NO.	VOLTAGE
1	2.06V
2	5.01V
3	2.07V
4	2.06V
5	0V
6	5.09V
7	5.09V
8	2.84V
9	5.01V
10	3.68V
11	3.85V
12	3.85V
13	3.95V
14	1.18V
15	1.19V
16	2.05V
17	2.29V
18	2.52V
19	0V
20	0.46V
21	2.2V
22	2.2V
23	5.01V
24	3.48V

IC302	
PIN NO.	VOLTAGE
1	2.52V
2	0V
3	0V
4	0V
5	4.82V
6	5.1V
7	0.16V
8	12.1V
9	3.85V
10	3.95V
11	5.1V
12	2.38V
13	0V
14	0V
15	0V
16	2.48V
17	5.11V
18	0.9V
19	0.9V
20	2.1V
21	0V
22	2.52V

NOTES ON SCHEMATIC DIAGRAM can be found on page 12.

Figure 28 SCHEMATIC DIAGRAM (13/16)

TUNER PWB-C

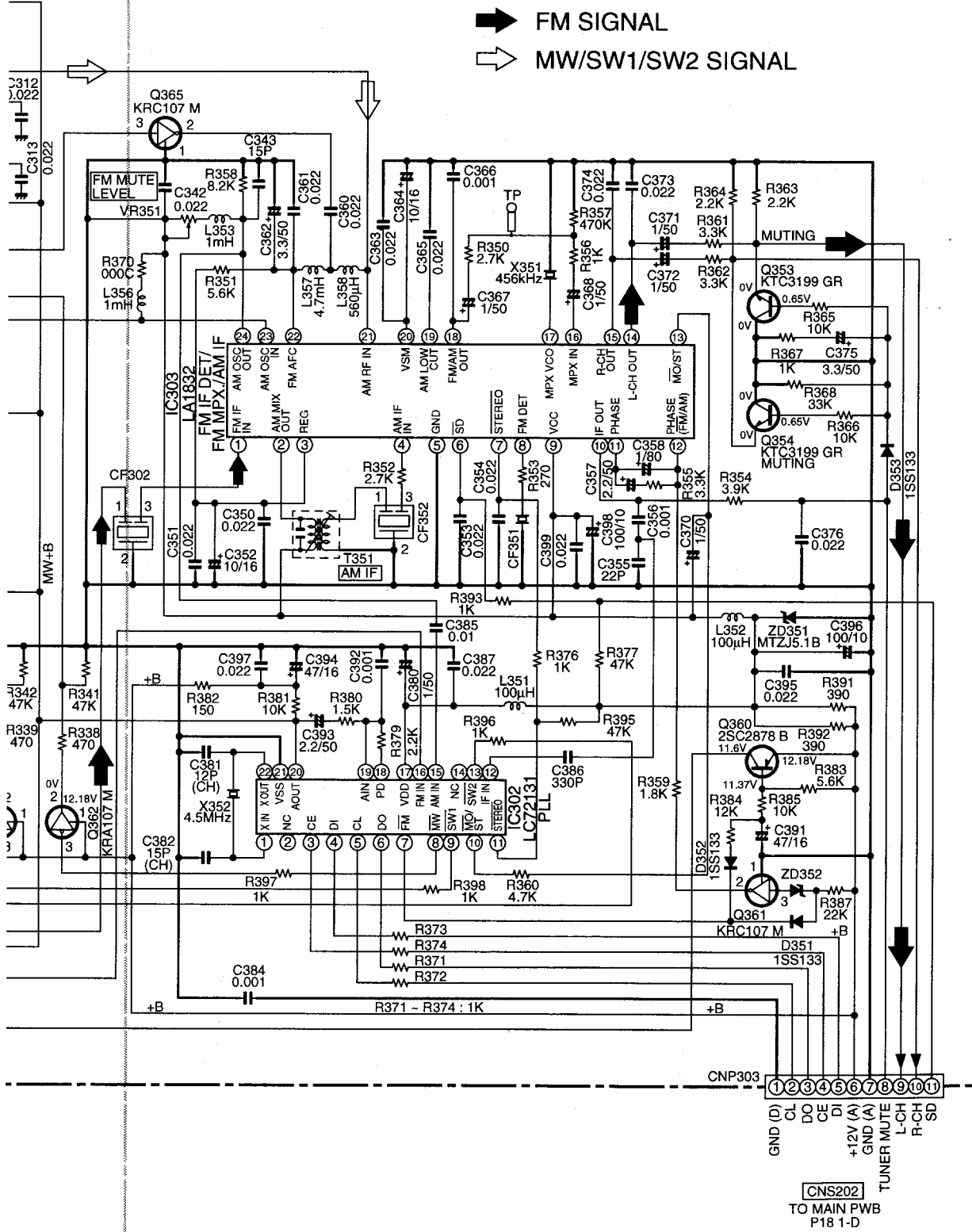
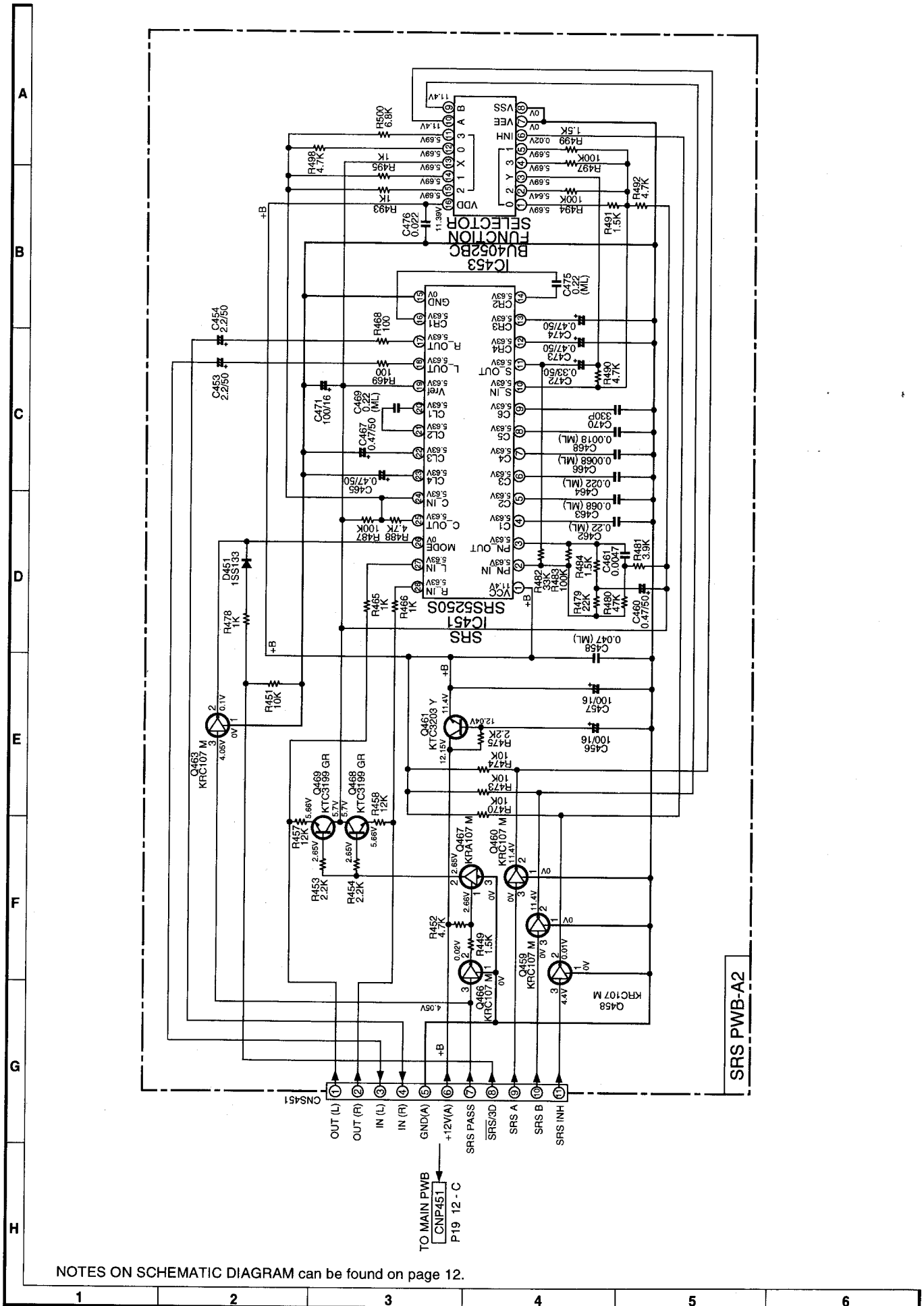


Figure 29 SCHEMATIC DIAGRAM (14/16)

7	8	9	10	11	12
---	---	---	----	----	----

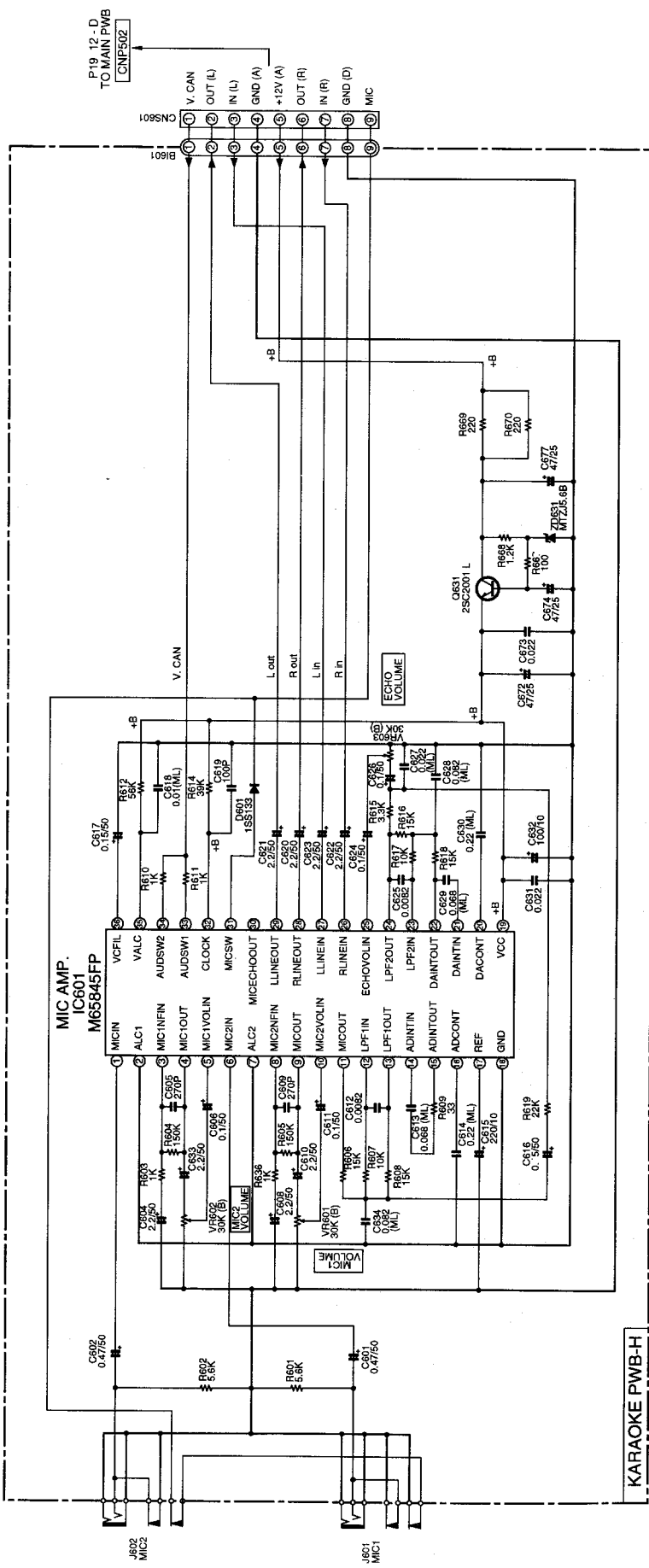


NOTES ON SCHEMATIC DIAGRAM can be found on page 12.

Figure 30 SCHEMATIC DIAGRAM (15/16)

CD-K1600Z ONLY

A
B
C
D
E
F
G
H



NOTES ON SCHEMATIC DIAGRAM can be found on page 12.

1 2 3 4 5 6

Figure 31 SCHEMATIC DIAGRAM (16/16)

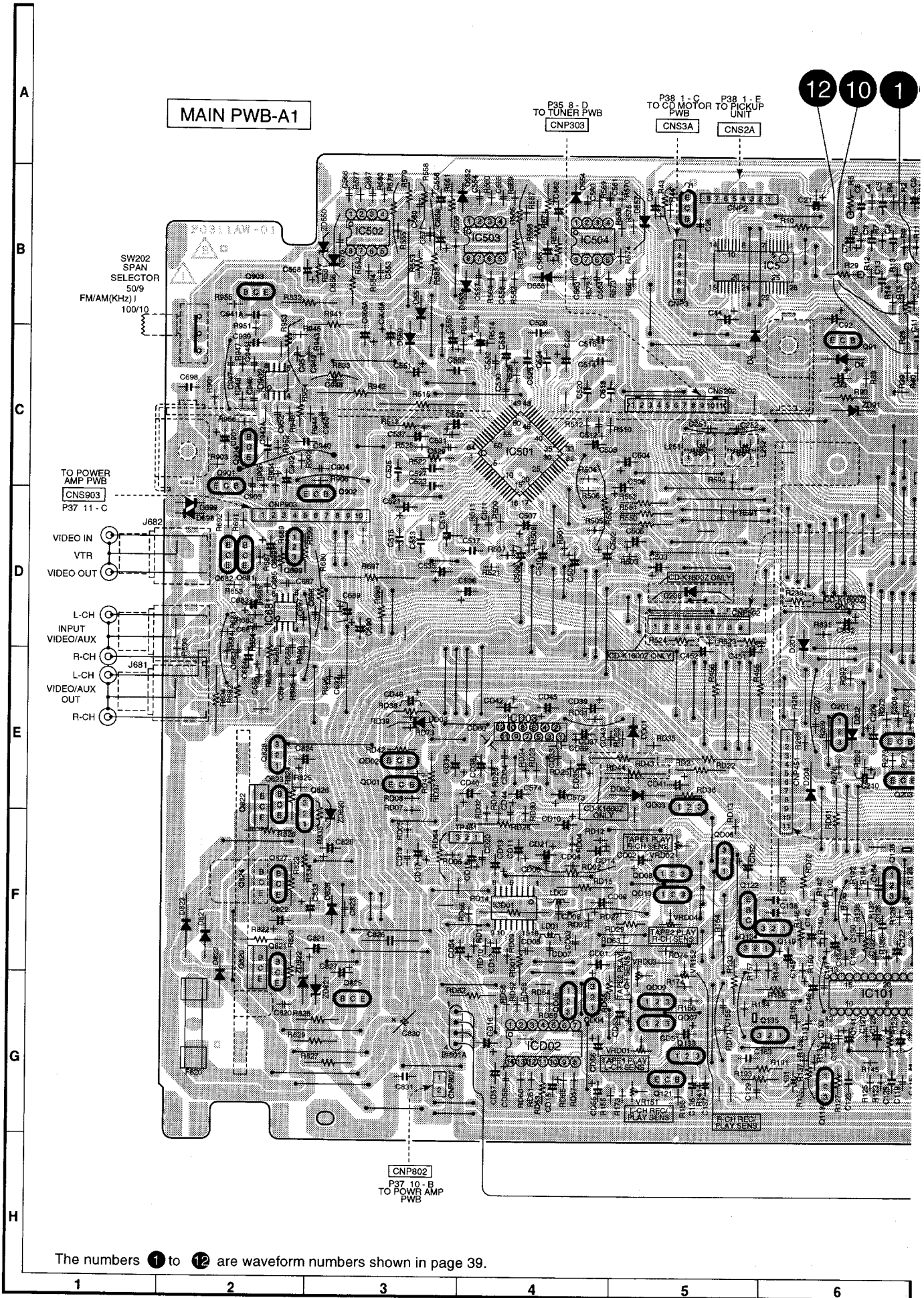
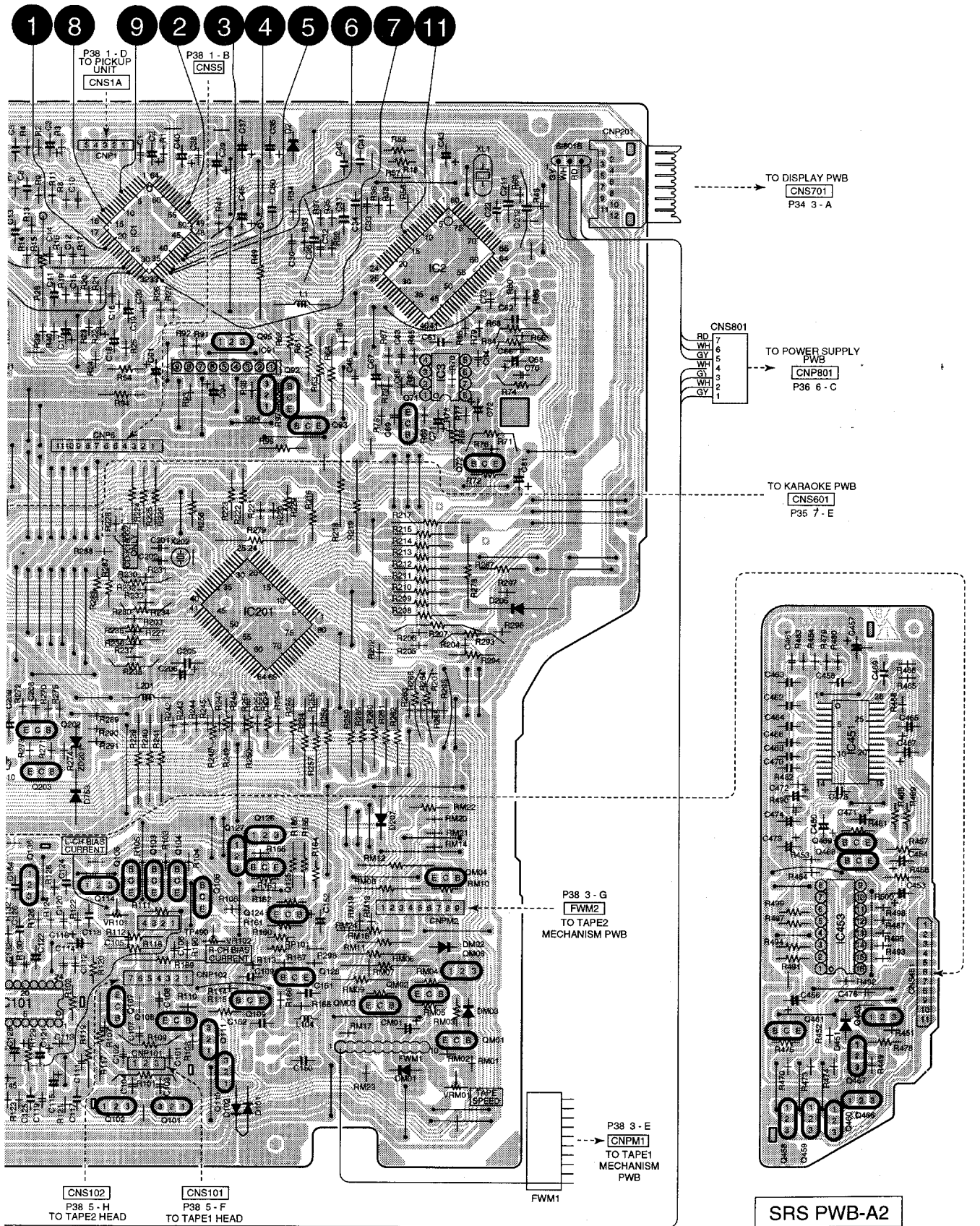


Figure 32 WIRING OF P.W.BOARD (1/7)



7	8	9	10	11	12
---	---	---	----	----	----

Figure 33 WIRING OF P.W.BOARD (2/7)

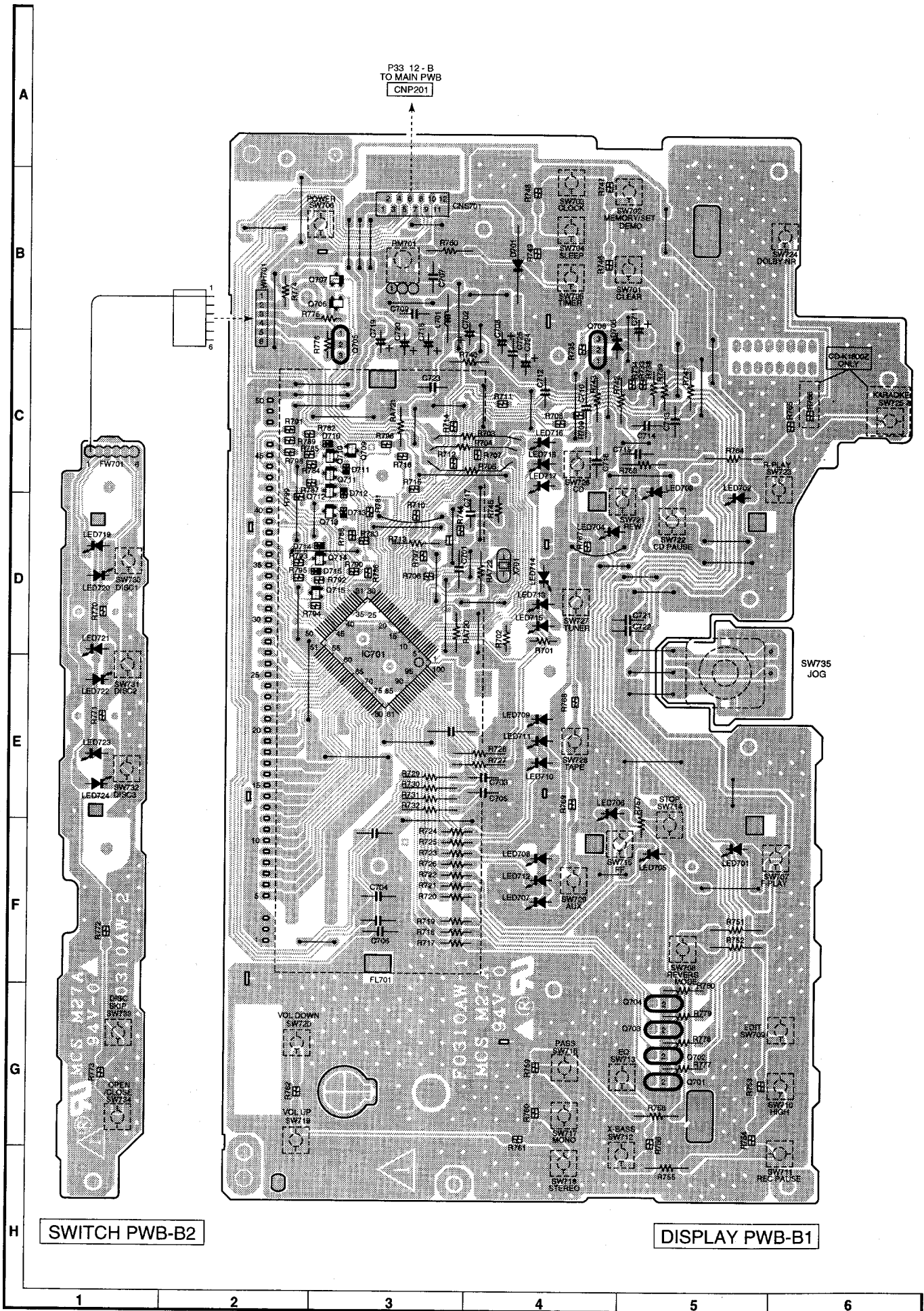


Figure 34 WIRING OF P.W.BOARD (3/7)

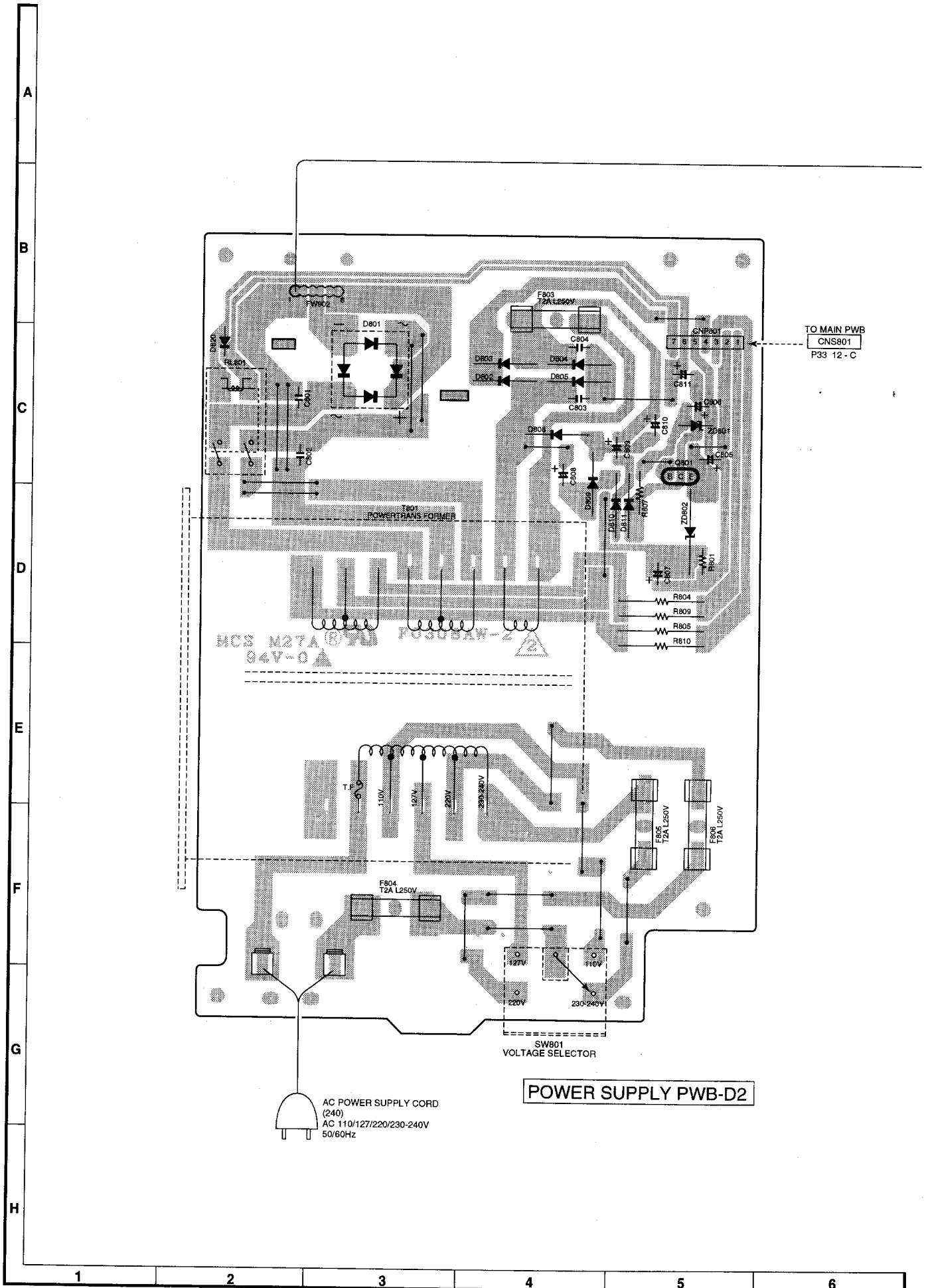
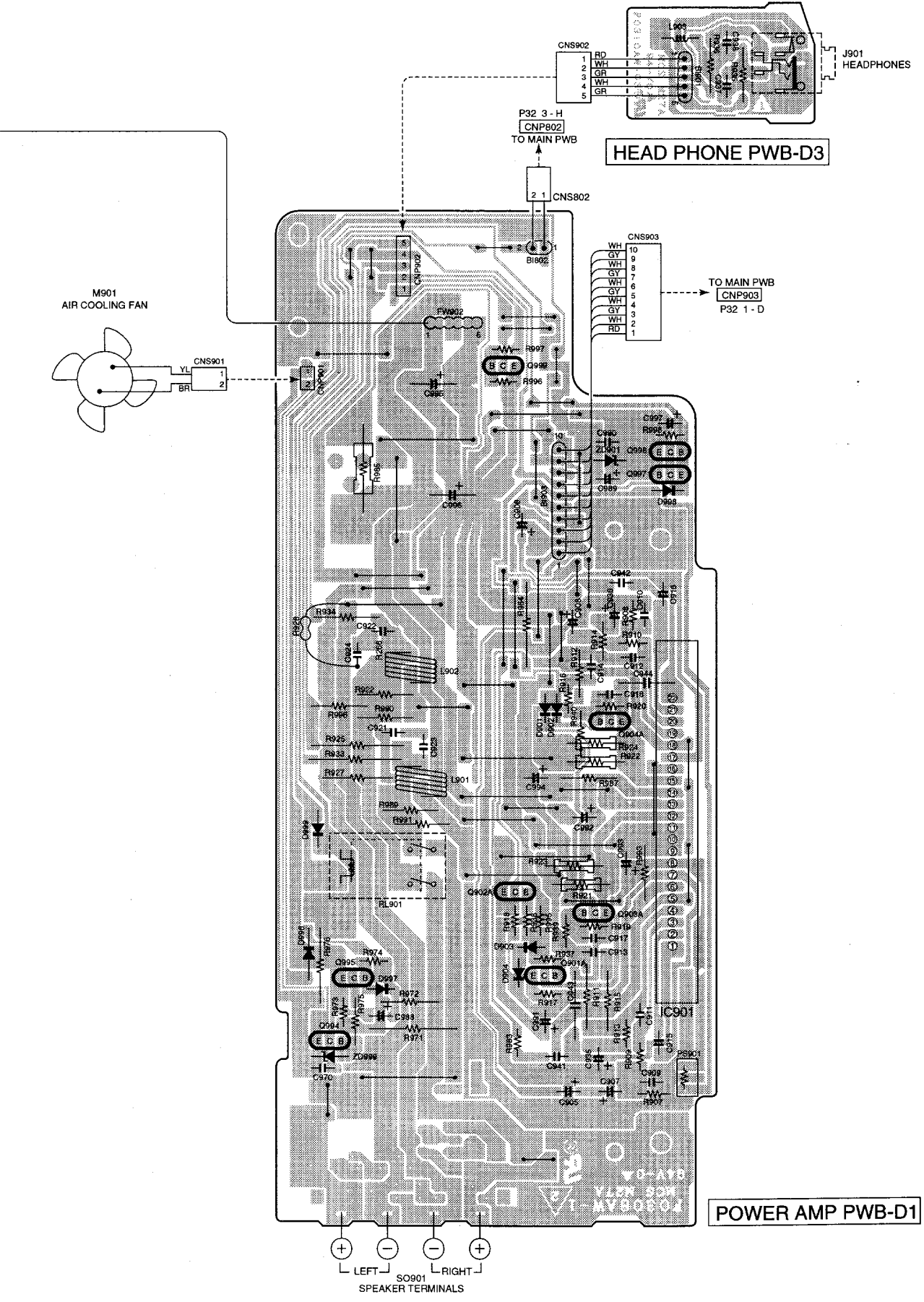


Figure 36 WIRING OF P.W.BOARD (5/7)



7	8	9	10	11	12
---	---	---	----	----	----

Figure 37 WIRING OF P.W.BOARD (6/7)

CD-C1600Z/CD-K1600Z

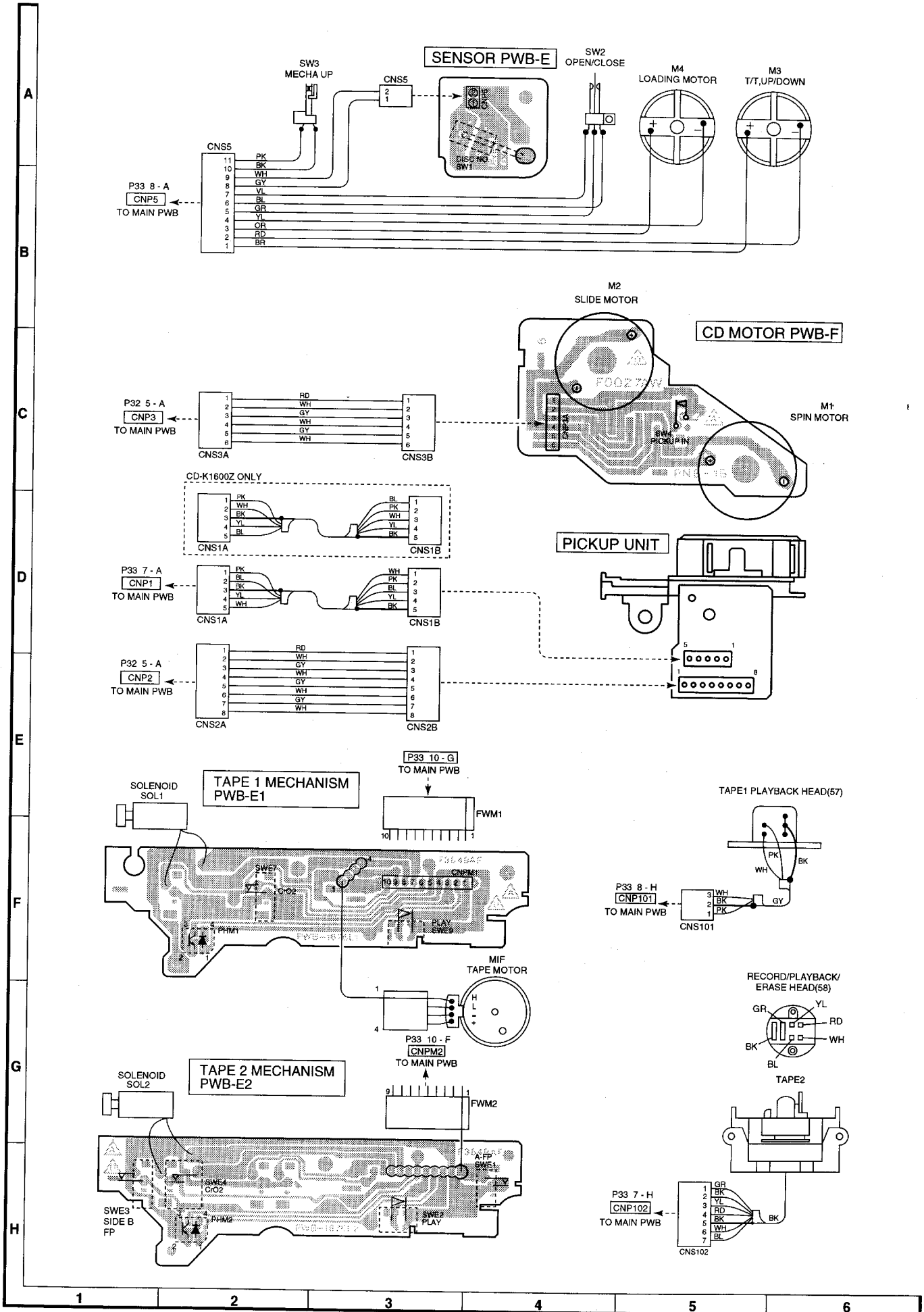
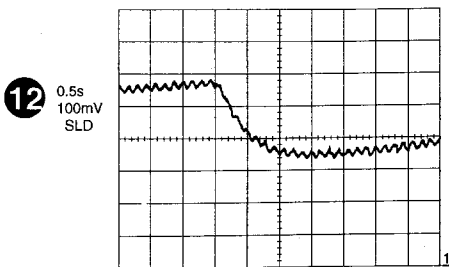
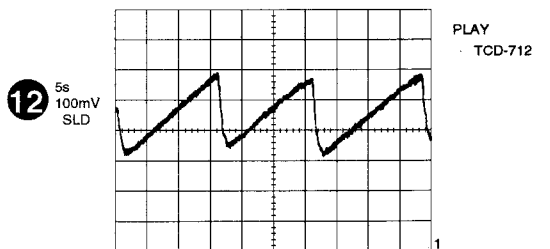
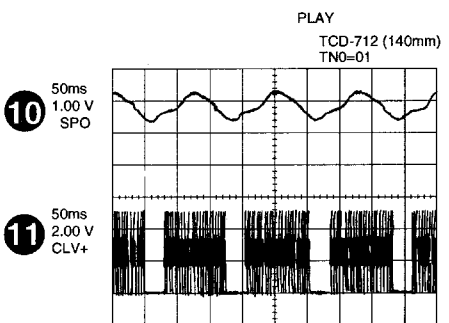
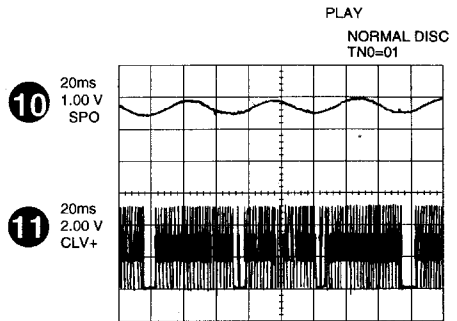
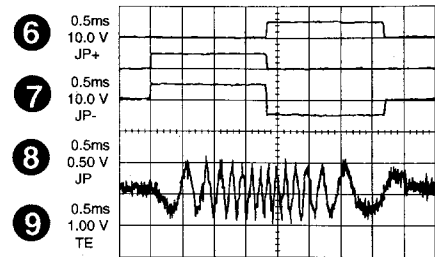
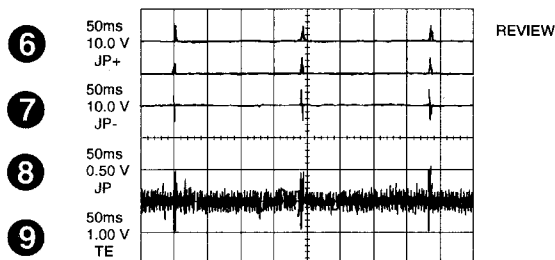
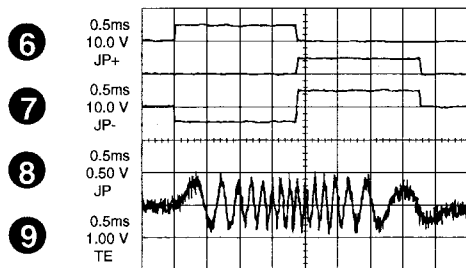
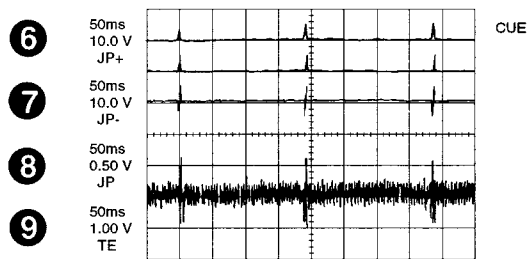
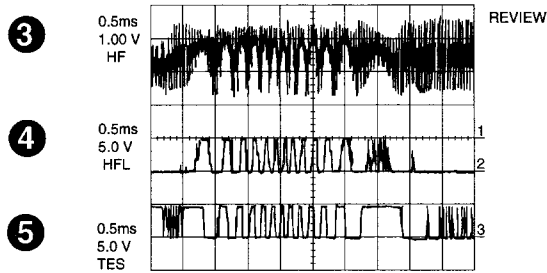
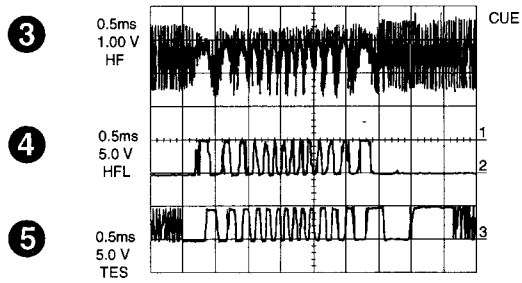
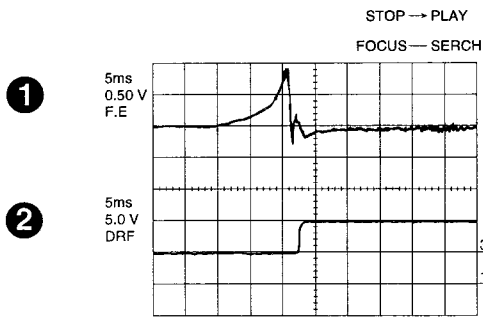


Figure 38 WIRING OF P.W.BOARD (7/7)

WAVEFORMS OF CD CIRCUIT



TROUBLESHOOTING (CD SECTION)

When the CD does not function

When the CD section does not operate When the objective lens of the optical pickup is dirty, this section may not operate. Clean the objective lens, and check the playback operation. When this section does not operate even after the above step is taken, check the following items.

Remove the cabinet and follow the troubleshooting instructions.

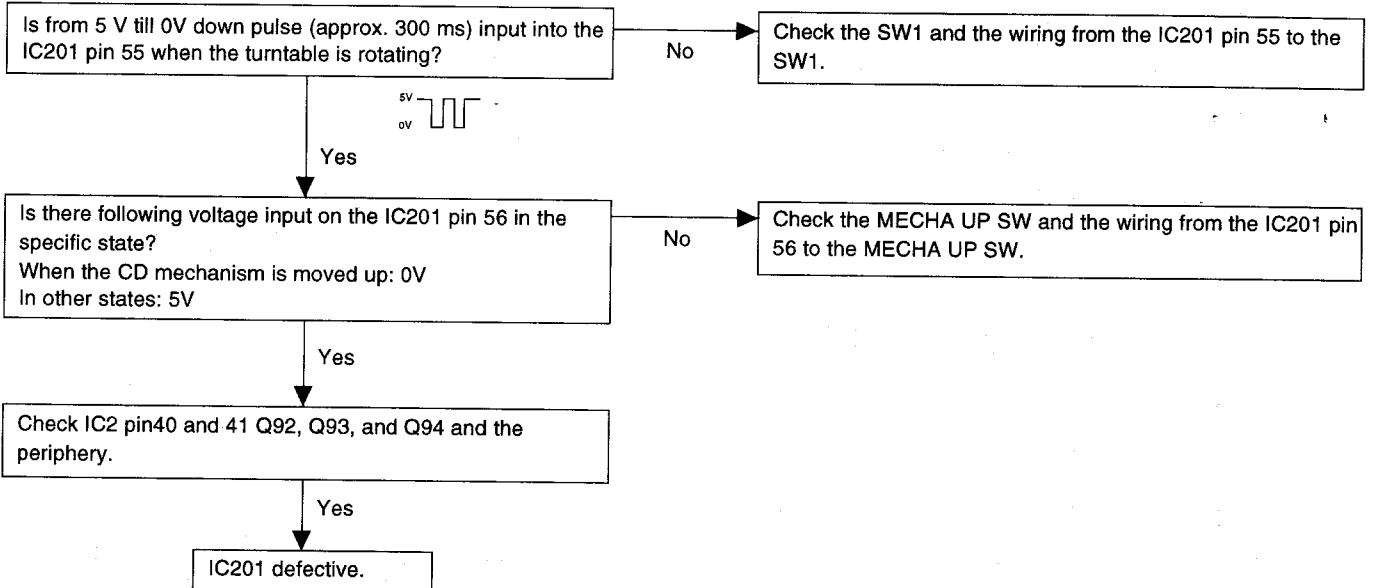
"Track skipping and/or no TOC (Table Of Contents) may be caused by build up of dust or other foreign matter on the laser pickup lens. Before attempting any adjustment make certain that the lens is clean. If not, clean it as mentioned below."

Turn the power off.

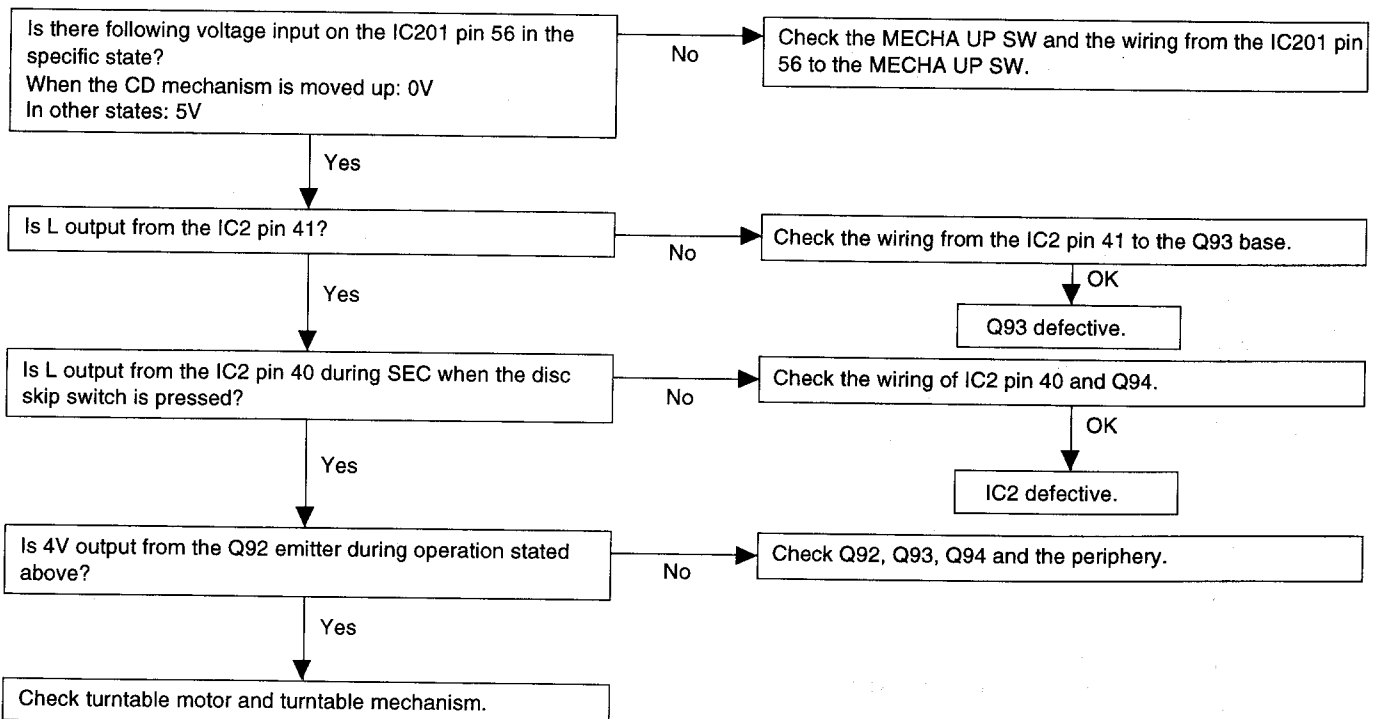
Gently clean the lens with a lens cleaning tissue and a small amount of isopropyl alcohol.

Do not touch the lens with the bare hand.

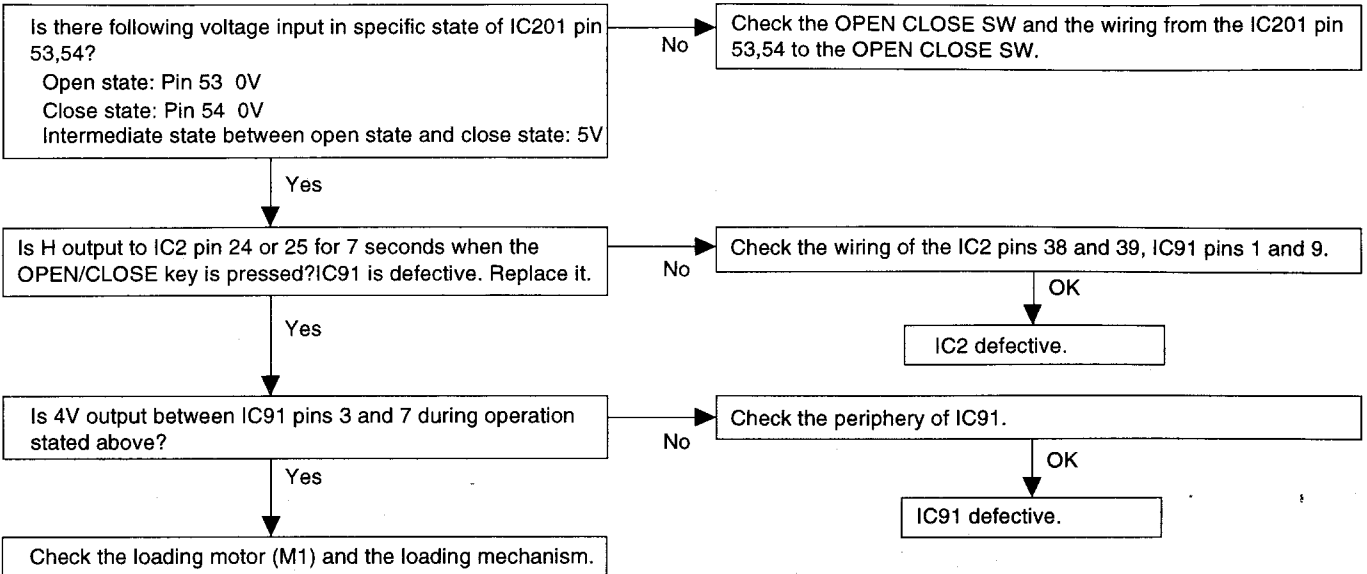
• When the turntable fails to stop.



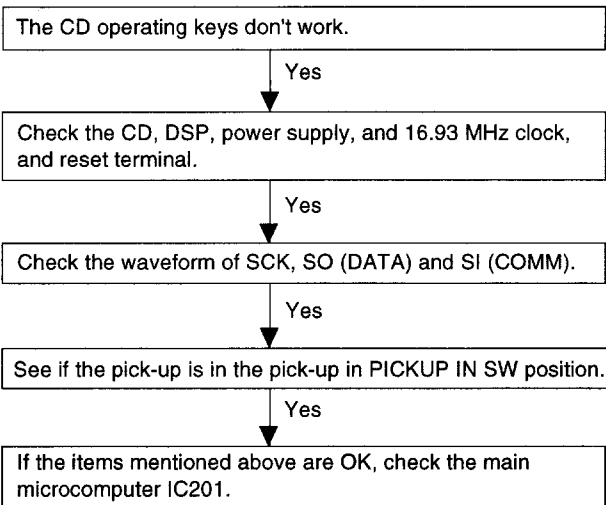
• When turntable fails to move.



• When the CD tray fails to open or close.



• The CD function will not work.



• The CD operating keys work.

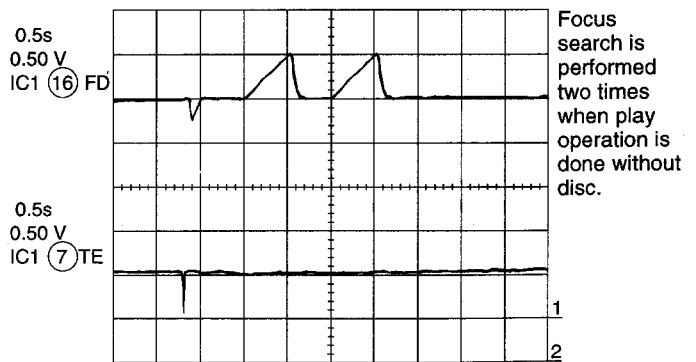
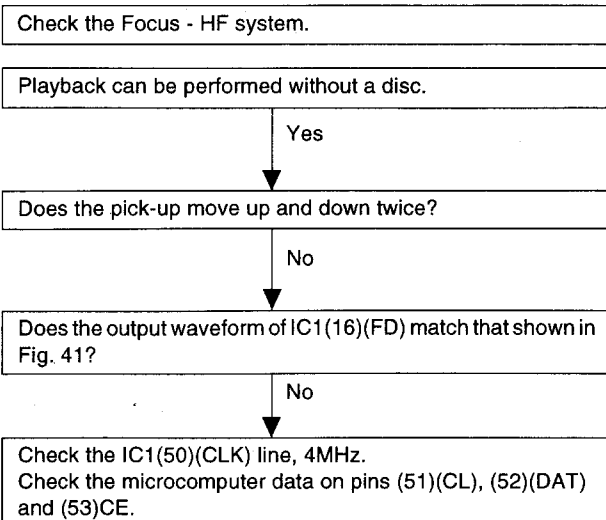


Figure 41

CD-C1600Z/CD-K1600Z

• Playback can only be performed when a disc is loaded.

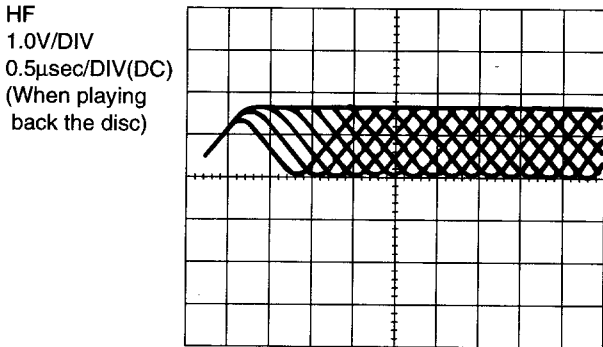
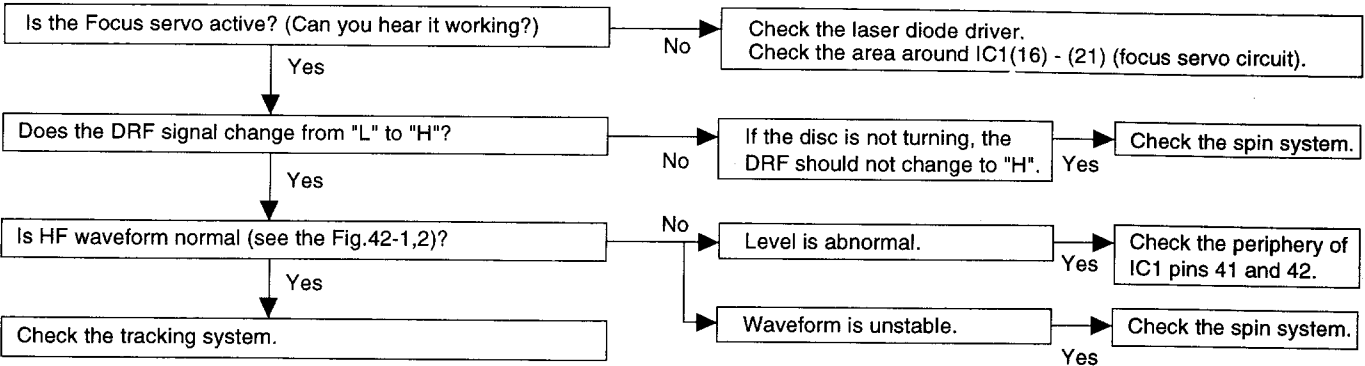


Figure 42-1

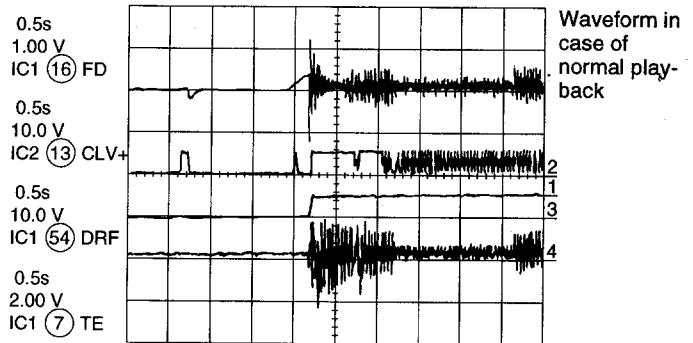


Figure 42-2

• Check the tracking system.

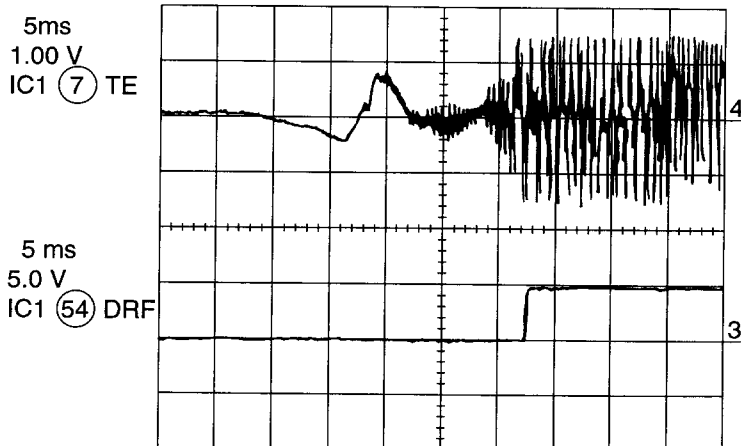
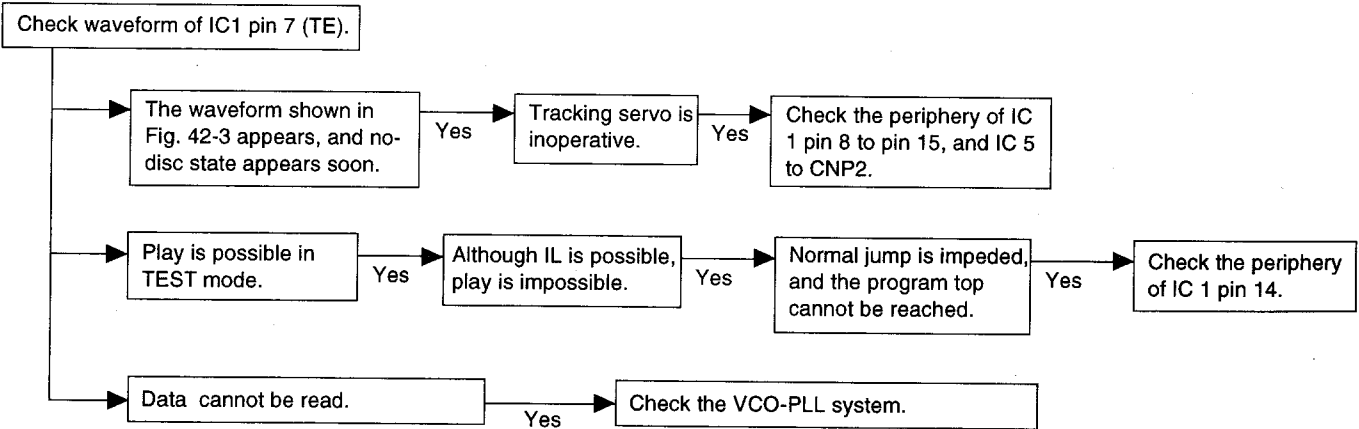
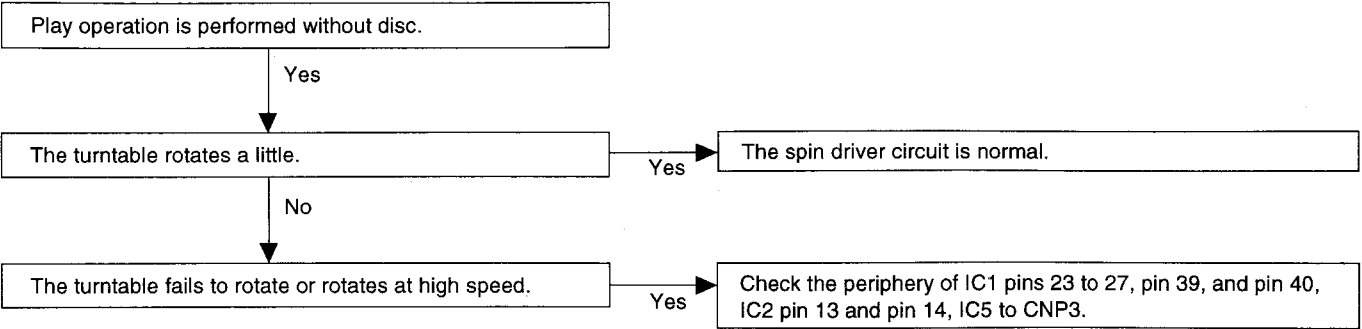


Figure 42-3

• Checking the spin system.



• Checking the VCO-PLL system

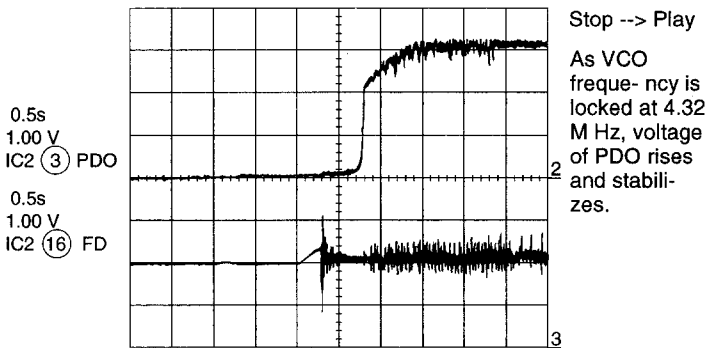
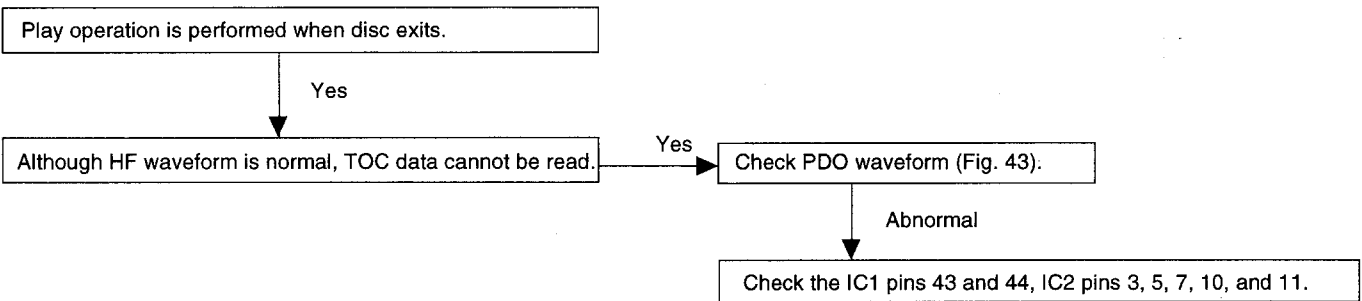
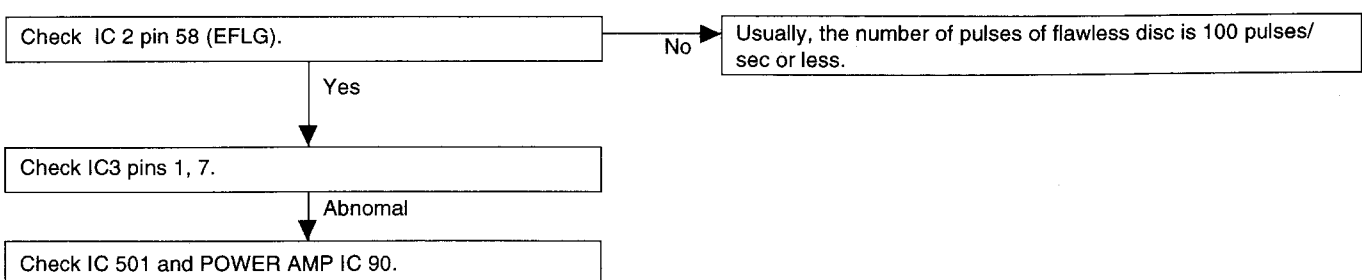


Figure 43

• Although HF waveform is normal and the time indication is normal, no sound is emitted.



FUNCTION TABLE OF IC

IC2 VHiLC78625E-1: Servo/Signal Control (1/2)

Pin No.	Terminal Name	Input/Output	Function		
1	DEFI	Input	Defect detection signal (DEF) input terminal. (It is set to "L" when not used)		
2	TAI	Input	For PLL	Input terminal for test. Pull-down resistor is built in.	
3	PDO	Output		Phase comparison output terminal for external VCO control.	
4	VVSS	—		Grounding terminal for built-in VCO. Usually 0V.	
5	ISET	Input		Resistor connecting terminal for current adjustment of PDO output.	
6	VVDD	—		Power terminal for built-in VCO. Usually 5V.	
7	FR	Input		For VCO frequency range adjustment.	
8	VSS	—	Digital system grounding terminal. Usually 0V.		
9*	EFMO	Output	For slice level control	EFM signal inversion output terminal.	
10	EFMO	Output		EFM signal output terminal.	
11	EFMIN	Input		EMF signal input terminal.	
12*	TEST2	Input	Input terminal for test. Pull-down resistor built in.		
13, 14	CLV+, CLV-	Output	Output terminal for spindle servo control. When CLV+ is "H", acceleration is set. When CLV ₋ is "H", deceleration is set. Three-value output with command is enabled.		
15	V \bar{P}	Output	Rough servo/phase control automatic selection monitor output terminal. Rough servo: "H" Phase control mode: "L"		
16*	FOCS	Output	Focus servo ON/OFF output terminal. Focus servo ON: "L"		
17*	FST	Output	Focus start pulse output terminal. Open drain output.		
18	F \bar{S} Z	Input	Focus error zero cross signal input terminal. (It is set to "L" when not used)		
19	HFL	Input	Track detection signal input terminal. Schmidt input.		
20	TES	Input	Tracking error signal input terminal. Schmidt input.		
21*	PCK	Output	Clock monitor terminal for EFM data playback. Phase lock mode: 4.3218 MHz.		
22*	FSEQ	Output	Sync signal detection output terminal. When sync signal detected from EFM signal coincides with intrinsically generated sync signal: "H"		
23	TOFF	Output	Tracking OFF output terminal.		
24	TGL	Output	Output terminal for tracking gain selection. Gain increased: "L"		
25*	THLD	Output	Tracking hold output terminal.		
26*	TEST3	Input	Input terminal for test. Pull-down resistor is built in.		
27	VSS	—	Digital system power terminal. Usually 5V.		
28, 29	JP+, JP-	Output	Output terminal for track jump. When JP+ is "H" and outer periphery jump is performed, acceleration is set. In case of inner periphery jump deceleration is set. When JP- is "H" and inner periphery jump is performed, acceleration is set. In case of outer periphery jump deceleration is set. 3-value output with command is enabled.		
30*	DEMO	Input	Sounding function input terminal for set adjusting process. Pull-down resistor is built in.		
31*	TEST4	Input	Input terminal for test. Pull-down resistor is built in.		
32*	EMPH	Output	Deemphasis monitor output terminal. Deemphasis disc playback: "H"		
33*	LRCKO	Output	Digital filter output	Word clock output.	
34*	DFORO	Output		R channel data output.	
35*	DFOLO	Output		L channel data output.	
36*	DACKO	Output		Bit clock output.	
37*	TST10	Output	Output terminal for test. Usually "L" output.		
38	ASDACK/P0	Input/Output	Input for antishock	Bit clock input.	
39	ASDFIN/P1	Input/Output	General-use port (P0-3) when antishock is not applied.	L/R channel data input.	
40	ASDEPC/P2	Input/Output		Built-in deemphasis filter ON/OFF selection terminal. (ON: "H" OFF: "L")	
41	ASLRCK/P3	Input/Output		Word clock input.	
42*	LRSY	Output		Output for ROMXA	L/R clock output.
43*	CK2	Output	Output for ROMXA	Bit clock output. (in RESET mode)	Polarity inversion clock output. (in CK2CON mode)
44*	ROMXA	Output		Interpolation data output. (in RESET mode)	ROM data output. (in ROMXA mode)
45*	C2F	Output		C2 flag output	

In this unit, the terminal with asterisk mark (*) is (open) terminal which is not connected to the outside.

IC2 VHiLC78625E-1:Servo/Signal Control (2/2)

Pin No.	Terminal Name	Input/Output	Function	
46*	MUTEL	Output	For 1 bit DAC	L channel mute output terminal.
47	LVDD	—		Power supply terminal for L channel. Usually 5V.
48	LCHP	Output		L channel P output terminal.
49	LCHN	Output		L channel N output terminal.
50	LVSS	—		Grounding terminal for L channel. Usually 0V.
51	RVSS	—		Grounding terminal for R channel. Usually 0V.
52	RCHN	Output		R channel N output terminal.
53	RCHP	Output		R channel P output terminal.
54	RVDD	—		Power supply terminal for R channel. Usually 5V.
55*	MUTER	Output		R channel mute output terminal.
56	DOUT	Output	Digital OUT output terminal.	
57*	SBSY	Output	Sub-code block sync signal output terminal.	
58*	EFLG	Output	C1, C2, single and dual correction monitor terminal.	
59*	PW	Output	Sub-code P, Q, R, S, T, U and W output terminal.	
60*	SFSY	Output	Sub-code frame sync signal output terminal. Fall when sub-code is set to standby state.	
61*	SBCK	Input	Sub-code read clock input terminal. Schmidt input. (It is set to "L" when not used)	
62*	FSX	Output	Terminal to output 7.35 kHz sync signal frequency-divided from crystal oscillation.	
63	WRQ	Output	Sub-code Q output standby output terminal.	
64	RWC	Input	Read/Write control input terminal. Schmidt input.	
65	SQOUT	Output	Sub-code Q output terminal.	
66	COIN	Input	Terminal to input command from microcomputer.	
67	$\overline{\text{CQCK}}$	Input	Terminal to input command input intake clock or sub-code fetching clock from SQOUT. Schmidt input.	
68	$\overline{\text{RES}}$	Input	Reset input terminal. When power supply is turned on, the terminal is once set to "L".	
69*	TST11	Output	Output terminal for test. Usually "L" output.	
70*	LASER	Output	Laser ON/OFF output terminal. Control with serial data command from microcomputer.	
71*	16M	Output	16.9344 MHz output terminal. However, 33.8688 MHz is output only in x4 speed playback mode.	
72	4.2M	Output	4.2336 MHz output terminal.	
73*	CONT	Output	Spare control output terminal. Control with serial data command from microcomputer.	
74	TEST5	Input	Input terminal for test. Pull-down resistor is built in.	
75	$\overline{\text{CS}}$	Input	Chip selection input terminal. Pull-down resistor is built in.	
76	XVSS	—	Grounding terminal for crystal oscillation. Usually 0V.	
77*	XIN	Input	Terminal to connect 16.9344 MHz crystal oscillator. (In Normal and x2 speed playback mode) For the x4 speed playback system, 33.8688 MHz crystal oscillator is connected.	
78	XOUT	Output	Terminal to connect 16.9344 MHz crystal oscillator. (In Normal and x2 speed playback mode) For the x4 speed playback system, 33.8688 MHz crystal oscillator is connected.	
79	XVDD	—	Power supply terminal for crystal oscillation. Usually 5V.	
80	TEST1	Input	Input terminal for test. Pull-down resistor is built in.	

In this unit, the terminal with asterisk mark (*) is (open) terminal which is not connected to the outside.

CD-C1600Z/CD-K1600Z

IC701 RH-iX0149AWZZ:Microcomputer (1/2)

Pin No.	Port Name	Terminal Name	Input/Output	Function
1*,2*	P16,17	—	Output	Not used
3	P30	CD	Output	LED is on in any mode other than CD mode.
4	P31	CD	Output	LED is on in CD mode.
5	P32	DISC1	Output	LED is on when disc exists at DISC1.
6	P33	DISC2	Output	LED is on when disc exists at DISC2.
7	P34	DISC3	Output	LED is on when disc exists at DISC3.
8*-10*	P35-P37	—	Output	Not used
11	INT0	AUTO	Input	Auto mode
12	RES	RESET	Input	Microcomputer reset
13	P74	SPAN 9K	Input	For tuner span selection.
14	P75	—	Input	Connect +B
15	VSS1	—	Input	Connect GND
16,17	CF1,CF2	—	—	For 4.19 MHz clock oscillation.
18	VDD1	—	Input	Connect +B
19	AN0	—	Input	Connect +B
20-25	AN1-AN6	KEY6-KEY1	Input	Operation key input port.
26	AN7	—	Input	Destination setting port
27	INT1	JOG DOWN	Input	JOG dial DOWN signal
28	INT2	JOG UP	Input	JOG dial UP signal
29	INT3	REMOTE	Input	Remote control input signal
30*	S0	—	Output	Not used
31	S1	9G	Output	FL drive 9G
32,33	S2,S3	8G	Output	FL drive 8G
34,35	S4,S5	7G	Output	FL drive 7G
36	S6	6G	Output	FL drive 6G
37	S7	DIGIT X	Output	FL blank control
38	S8	5G	Output	FL drive 5G
39	S9	4G	Output	FL drive 4G
40	S10	3G	Output	FL drive 3G
41*	S11	—	Output	Not used
42	S12	2G	Output	FL drive 2G grid
43,44	S13,S14	1G	Output	FL drive 1G grid
45	S15	P1	Output	FL drive segment
46	VDD3	—	Input	Segment
47-50	S16-S19	P2-P5	Output	FL drive segment
51	VP	—	Input	Segment
52-71	S20-S39	P6-P25	Output	FL drive segment
72	VDD4	—	Input	Segment
73-80	S40-S47	P26-P33	Output	FL drive segment
81	PG0	F-PLAY	Output	LED is on in F-PLAY mode.
82	PG1	R-PLAY	Output	LED is on in R-PLAY mode.
83	PG2	PAUSE	Output	LED is on in PAUSE mode.
84	PG3	REW	Output	LED is on in REW mode.
85	P00	STOP	Output	LED is on in STOP mode.
86	P01	FF	Output	LED is on in FF mode.
87	P02	/VIDEO	Output	LED is on in any mode other than VIDEO mode.
88	P03	/TAPE	Output	LED is on in any mode other than TAPE mode.
89,90	VSS2	—	—	Connect +B
91	P04	TAPE	Output	LED is on in TAPE mode.
92	P05	VIDEO	Output	LED is on in VIDEO mode.

In this unit, the terminal with asterisk mark (*) is (open) terminal which is not connected to the outside.

IC701 RH-iX0149AWZZ:Microcomputer (2/2)

Pin No.	Port Name	Terminal Name	Input/Output	Function
93	P06	TUNER	Output	LED is on in TURNER mode.
94	P07	/TUNER	Output	LED is on in any mode other than TUNER mode.
95	SO0	DATA	Output	Data to be sent to main microcomputer, communication with main microcomputer
96	SI0	COM	Input	Command from main microcomputer, communication with main microcomputer
97	SCK0	SCK	Input	Clock from main microcomputer, communication with main microcomputer
98	P13	STB	Input	Strobe from main microcomputer, communication with main microcomputer
99*,100*	P14,P15	—	—	Not used

In this unit, the terminal with asterisk mark (*) is (open) terminal which is not connected to the outside.

CD-C1600Z/CD-K1600Z

IC201 RH-iX0150AWZZ: System Microcomputer (1/2)

Pin No.	Port Name	Terminal Name	Input/Output	Function
1	P94/FIP6	HI SPEED	Output	Tape high speed control output High speed: L
2	P93/FIP5	CD H/L	Output	CD loading speed selection High speed: L
3	P92/FIP4	CD MUTE	Output	CD muting output
4	P91/FIP3	CD SL+	Output	CD slide feed positive output
5	P90/FIP2	CD SL-	Output	CD slide feed positive output
6	P81/FIP1	CD RES	Output	Reset output for CD DSP
7	P80/FIP0	CD RWC	Input	Read/Write control output for CD DSP
8	VDD	—	—	Positive power supply
9	P27/SCK0	CD CQCK	Output	Serial clock output for CD DSP
10	P26/SO0/SB1	CD COIN	Output	Serial command output for CD DSP To DSP COIN
11	P25/SI0/SB0	CD SQOUT	Input	Sub-code Q input for CD DSP To DSP SQOUT
12	P24/BUSY	CD WRQ	Input	Sub-code Q standby input for CD DSP
13	P23/STB	CD DRF	Output	CD RF level detection input RF level higher than 2.5V: H
14	P22/SCK1	MAIN SCK	Output	Serial clock output for display microcomputer
15	P21/SO1	MAIN COM	Output	Serial data output for display microcomputer
16	P20/SI1	MAIN DAT	Input	Serial data input for display microcomputer
17	RESET	—	Input	Reset input
18	P74	STROBE	Outout	Serial strobe output for display microcomputer
19	P73	CD PUIN	Input	CD pickup inner periphery detection input
20	AVSS	—	—	Analog power supply for A/D converter
21	ANI7	POSISTOR	Input	Detection of POSISTOR voltage
22	P16/ANI6	T1 RUN	Input	Tape mechanism 1 run pulse input difference detection
23	P15/ANI5	T2 RUN	Input	Tape mechanism 2 run pulse input difference detection
24	P14/ANI4	SPE5	Input	63 Hz BPF spectrum analyzer input
25	P13/ANI3	SPE4	Input	250 Hz BPF spectrum analyzer input
26	P12/ANI2	SPE3	Input	1 kHz BPF spectrum analyzer input
27	P11/ANI1	SPE2	Input	4 kHz BPF spectrum analyzer input
28	P10/ANI0	SPE1	Input	16 kHz BPF spectrum analyzer input
29	AVDD	AVDD	—	Analog positive power supply for A/D converter
30	AVREF	AVREF	—	Reference power supply for A/D converter
31	P04/XT1	MIC	Input	Mic detection Input
32*	XT2	N.C	Output	Sub-clock output Open
33	VSS	VSS	—	GND
34	X1	X1	Input	Main clock 4.194304 MHz
35	X2	X2	Output	Main clock 4.194304 MHz
36	P37	C ² B CE	Output	Tuner/preamplifier C2B serial control input/output control output
37	P36/BUZ	C ² B CLK	Output	Tuner/preamplifier C2B serial control clock output
38	P35/PCL	C ² B DO	Output	Tuner/preamplifier C2B serial control data output
39	P34/TI2	C ² B DI	Input	Tuner/preamplifier C2B serial control data input
40	P33/TI1	SD	Input	Tuner signal detection input Signal found: L
41	P32/TO2	TUN MUTE	Output	Tuner muting output
42	P31/TO1	V-CANCEL	Output	Voice cancel control output Vocal cut: H
43	P30/TO0	S-MUTE	Output	System muting output
44	P03/INTP3/CI0	LINE-MUT	Output	Line mute output
45	P02/INTP2	RELAY	Output	Speaker output relay control output Relay ON: H
46	P01/INPT1	PROTECT	Input	Speaker output error detection input Occurrence of error: L
47	P00/INPT0/TI0	SYS STOP	Input	Power failure input
48	IC	VSS	—	GND connection
49	P72	SOL1	Output	Tape mechanism 1 plunger control output Attraction: L
50	P71	SOL2	Output	Tape mechanism 2 plunger control output Attraction: L
51	P70	TAPE MOTOR	Output	Tape mechanism motor control output Rotation: L

In this unit, the terminal with asterisk mark (*) is (open) terminal which is not connected to the outside.

IC201 RH-iX0150AWZZ: System Microcomputer (2/2)

Pin No.	Port Name	Terminal Name	Input/Output	Function
52	VDD	VDD	—	Positive power supply
53	P127/FIP33	CD OPEN	Input	CD tray open position detection input Open end: L
54	P126/FIP32	CD CLOSE	Input	CD tray close position detection input Close end: L
55	P125/FIP31	CD D-NO.	Input	CD turntable position detection input Pulse count
56	P124/FIP30	CD U/D	Input	CD mechanism UP/DOWN chucking detection input UP: L
57	P123/FIP29	FUN MOTOR	Output	Fun motor drive ON: H OFF: L
58	P122/FIP28	SPAN 9K	Input	Tuner operation setting input Span selection 9k: H 10k: L
59	P121/FIP27	BEAT CUT	Output	Tape beat cut output A: L B: H
60	P120/FIP26	DOLBY	Output	Dolby mode control ON: H OFF: L
61	P117/FIP25	T1 PL/SP	Input	Tape mechanism 1 sub-chassis position detection input UP: L
62	P116/FIP24	T1 CROM	Input	Tape mechanism 1 CROM detection input CROM: H
63	P115/FIP23	T2 PL/SP	Input	Tape mechanism 2 sub-chassis position detection input UP: L
64	P114/FIP22	T2 A-FP	Input	Tape mechanism 2 A side foolproof detection input Record enabled: L
65	P113/FIP21	T2 B-FP	Input	Tape mechanism B side foolproof detection input Record enabled: L
66	P112/FIP20	T2 CROM	Input	Tape mechanism 2 CROM detection input CROM: H
67	P111/FIP19	TAPE FUN	Output	Tape function Output TAPE: H OTHER: L
68	P110/FIP18	SRS INH	Output	SRS control output 4052 control
69	P107/FIP17	SRS B	Output	SRS control output 4052 control
70	P106/FIP16	SRS A	Output	SRS control output 4052 control
71	VLOAD	VSS	—	GND connection. (for ports 8, 9 and 10)
72	P105/FIP15	SRS MONO	Output	SRS control output. 3D: H Others: L
73	P104/FIP14	SRS PASS	Output	SRS control output. SRS1, 2: L Others: H
74	P103/FIP13	POWER	Output	Set power control output Power ON: H Power OFF: L
75	P102/FIP12	BIAS	Output	Tape record bias control output Record: H
76	P101/FIP11	T1/T2	Output	Tape playback selection output T1: H T2: L
77	P100/FIP10	REC/P.B	Output	Tape record/playback selection output Playback: H Record: L
78	P97/FIP9	P.B EQ	Output	Tape playback equalizer selection output 70 uS: H 120 uS: L
79	P96/FIP8	REC MUTE	Output	Tape record muting output
80	P95/FIP7	P.B MUTE	Output	Tape playback muting output

CD-C1600Z/CD-K1600Z

IC2 VHiLC78625E-1: Servo/Signal Control

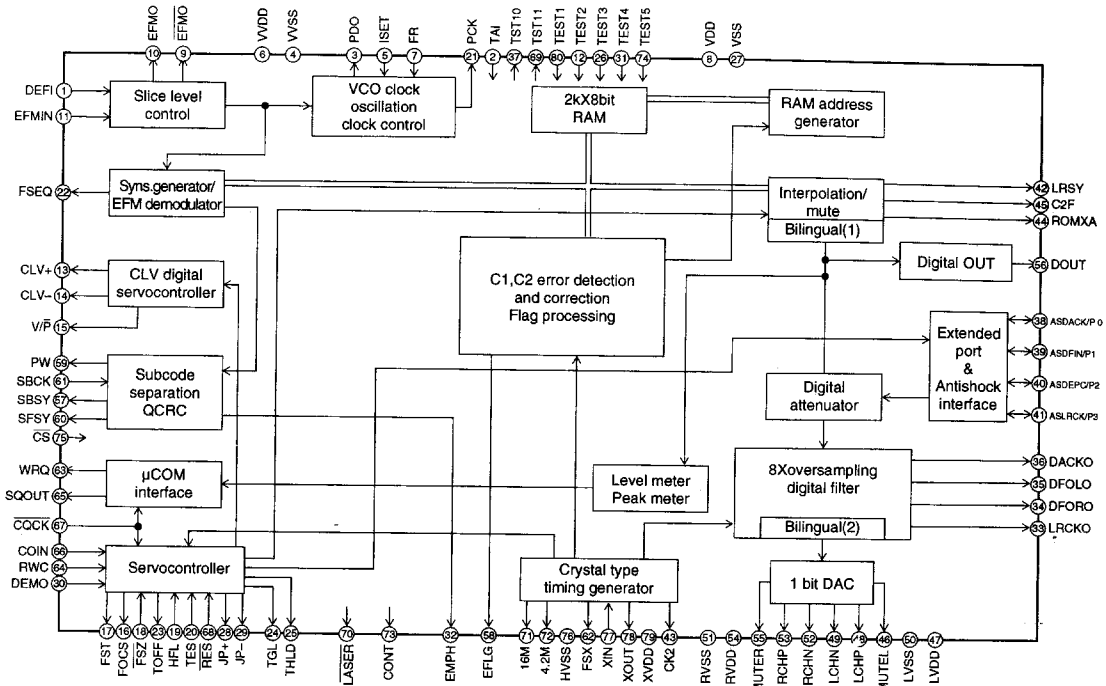
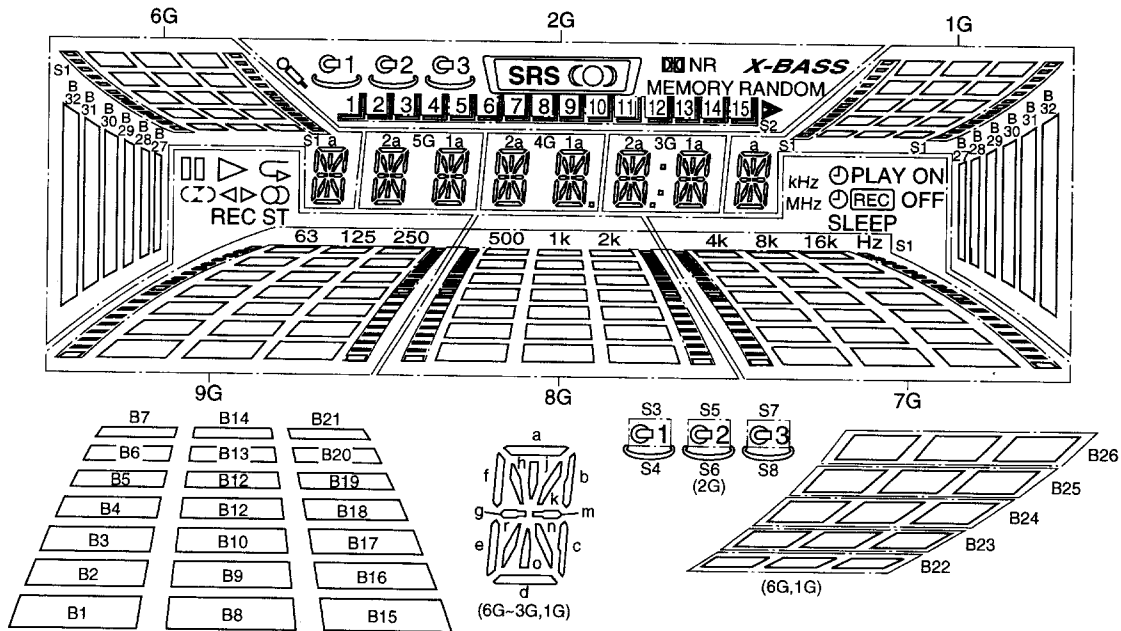


Figure 50-1 BLOCK DIAGRAM OF IC

LCD701 VVKBJ486GK/-1



	9G	8G	7G	6G	5G	4G	3G	2G	1G	P18	B6	B6	B6	B27	-	-	-	13	B27
P1	B15	B15	B15	B26	-	-	-	-	B26	P19	B21	B21	B21	-	2g	2g	2g	14	-
P2	B8	B8	B8	B25	-	-	-	-	B25	P20	B14	B14	B14	g	1g	1g	1g	15	g
P3	B1	B1	B1	B24	-	-	-	-	B24	P21	B7	B7	B7	-	2c	2c	2c	▶	-
P4	B16	B16	B16	B23	2a	2a	2a	↗	B23	P22	▶▶	-	-	c	1c	1c	1c	S4	c
P5	B9	B9	B9	a	1a	1a	1a	S2	a	P23	▶▶▶	-	-	-	2e	2e	2e	S6	-
P6	B2	B2	B2	B22	2h	2h	2h	1	B22	P24	↶	-	ON	e	1e	1e	1e	S8	e
P7	B17	B17	B17	h	1h	1h	1h	2	h	P25	◁	-	OFF	-	2r	2r	2r	S3	-
P8	B10	B10	B10	B32	2j	2j	2j	3	B32	P26	⌂	-	▶	r	1r	1r	1r	S5	r
P9	B3	B3	B3	j	1j	1j	1j	4	j	P27	◁	-	▶	-	2p	2p	2p	S7	-
P10	B18	B18	B18	B31	2k	2k	2k	5	B31	P28	◀	-	SLEEP	p	1p	1p	1p	SRS	p
P11	B11	B11	B11	k	1k	1k	1k	6	k	P29	▶	-	kHz	-	2n	2n	2n	MEMORY	-
P12	B4	B4	B4	B30	2b	2b	2b	7	B30	P31	◉	-	MHz	n	1n	1n	1n	MEMORY	n
P13	B19	B19	B19	b	1b	1b	1b	8	b	P32	REC	-	-	-	2d	2d	2d	NR	-
P14	B12	B12	B12	B29	2f	2f	2f	9	B29	P32	ST	-	-	-	1d	1d	1d	RANDOM	d
P15	B5	B5	B5	f	1f	1f	1f	10	f	P33	S1	S1	S1	S1	-	Dp2	Dp1	X-BASS	S1
P16	B20	B20	B20	B28	2m	2m	2m	11	B28										
P17	B13	B13	B13	m	1m	1m	1m	12	m										

Figure 50-2 FL SEGMENT

NO.	PART CODE	★ PRICE RANK	DESCRIPTION
C674	RC-GZA476AF1E	J AB	47 μF,25V,Electrolytic [CD-K1600Z Only]
C677	RC-GZA476AF1E	J AB	47 μF,25V,Electrolytic [CD-K1600Z Only]
C681,682	VCKYMN1HB331K	J AA	330 pF,50V
C683,684	RC-GZA225AF1H	J AB	2.2 μF,50V,Electrolytic
C685,686	VCKYMN1HB181K	J AA	180 pF,50V
C687,688	VCCSMN1HL470J	J AA	47 pF,50V
C689,690	RC-GZA225AF1H	J AB	2.2 μF,50V,Electrolytic
C691,692	VCKYMN1HB391K	J AA	390 pF,50V
C696,697	VCTYMN1EF223Z	J AA	0.022 μF,25V
C698	VCKZPA1HF223Z	J AA	0.022 μF,50V
C699	RC-GZA475AF1H	J AB	4.7 μF,50V,Electrolytic
C701	VCTYBT1EF223Z	J AA	0.022 μF,25V
C702	RC-GZA227AF1A	J AB	220 μF,10V,Electrolytic
C703-707	VCKYBT1HB151K	J AA	150 pF,50V
C708	RC-GZA227AF1A	J AB	220 μF,10V,Electrolytic
C709,710	VCTYBT1EF223Z	J AA	0.022 μF,25V
C711	RC-GZA225AF1H	J AB	2.2 μF,50V,Electrolytic
C712-717	VCKYBT1HB151K	J AA	150 pF,50V
C718-720	RC-GZA105AF1H	J AB	1 μF,50V,Electrolytic
C721,722	VCKYBT1HB102K	J AA	0.001 μF,50V
C723	VCKYBT1HB151K	J AA	150 pF,50V
C724	RC-GZA105AF1H	J AB	1 μF,50V,Electrolytic
C725	VCTYBT1EF223Z	J AA	0.022 μF,25V
C801-804	RC-QZA473AFYJ	J AB	0.047 μF,50V,Mylar
C805,806	RC-GZA476AF1H	J AB	47 μF,50V,Electrolytic
C807	RC-GZA107AF1V	J AB	100 μF,35V,Electrolytic
C808	RC-GZV227AF1H	J AC	220 μF,50V,Electrolytic
C809	RC-GZV227AF1J	J AD	220 μF,63V,Electrolytic
C810	RC-GZV227AF1H	J AC	220 μF,50V,Electrolytic
C811	RC-GZA476AF1J	J AC	47 μF,63V,Electrolytic
C820	VCTYMN1EF223Z	J AA	0.022 μF,25V
C821	RC-GZA476AF1E	J AB	47 μF,25V,Electrolytic
C822	RC-GZA226AF1E	J AB	22 μF,25V,Electrolytic
C823	VCTYMN1EF223Z	J AA	0.022 μF,25V
C824,825	RC-GZA476AF1E	J AB	47 μF,25V,Electrolytic
C826	VCTYBT1EF223Z	J AA	0.022 μF,25V
C827	RC-GZA476AF1E	J AB	47 μF,25V,Electrolytic
C830	RC-GZV478AF1E	J AG	4700 μF,25V,Electrolytic
C831	VCKZPA1HF223Z	J AA	0.022 μF,50V
C832	RC-GZA226AF1E	J AB	22 μF,25V,Electrolytic
C833	RC-GZA476AF1E	J AB	47 μF,25V,Electrolytic
C901,902	RC-GZA106AF1C	J AB	10 μF,16V,Electrolytic
C903,904	VCKYMN1HB102K	J AA	0.001 μF,50V
C905-908	RC-GZA225AF1H	J AB	2.2 μF,50V,Electrolytic
C905A,906A	RC-GZA105AF1H	J AB	1 μF,50V,Electrolytic
C909,910	VCCSPA1HL471J	J AA	47 pF,50V
C911,912	VCCSPA1HL470J	J AA	47 pF,50V
C913,914	VCCSPA1HL150J	J AA	15 pF,50V
C915,916	VCE9GA1HF105M	J	1 μF,50V,Electrolytic,Non-Polar
C917,918	RC-QZA104AFYJ	J AC	0.1 μF,50V,Mylar
C921-924	RC-QZA104AFYJ	J AC	0.1 μF,50V,Mylar
C935,936	RC-GZA476AF1H	J AB	47 μF,50V,Electrolytic
C937,938	VCCSPA1HL101J	J AA	100 pF,50V
C939,940	VCFYDA1HA124J	J AB	0.12 μF,50V,Polyester
C941,942	RC-QZA222AFYJ	J AB	0.0022 μF,50V,Mylar
C941A,942A	VCFYDA1HA334J	J AC	0.33 μF,50V,Polyester
C943,944	VCKYBT1HB221K	J AA	220 pF,50V
C945,946	VCKYMN1HB101K	J AA	100 pF,50V
C947,948	VCTYMN1EF223Z	J AA	0.022 μF,25V
C949,950	VCKYMN1HB331K	J AA	330 pF,50V
C951,952	VCKYMN1HB101K	J AA	100 pF,50V
C970	RC-GZA476AF1C	J AB	47 μF,16V,Electrolytic
C988	RC-GZA106AF1H	J AB	10 μF,50V,Electrolytic
C989	RC-GZA227AF1E	J AB	220 μF,25V,Electrolytic
C990	VCKYPA1HF223Z	J AB	0.022 μF,50V
C991,992	RC-GZV476AF2A	J AC	47 μF,100V,Electrolytic
C993,994	RC-GZA106AF2A	J AB	10 μF,100V,Electrolytic
C995,996	RC-EZ1654AFZZ	J AL	4700 μF,63V,Electrolytic
C997	RC-GZA476AF1H	J AB	47 μF,50V,Electrolytic
CD1,2	RC-GZA105AF1H	J AB	1 μF,50V,Electrolytic
CD3,4	VCKYMN1HB471K	J AA	470 pF,50V
CD5-8	VCKYMN1HB331K	J AA	330 pF,50V
CD9-11	RC-GZA105AF1H	J AB	1 μF,50V,Electrolytic
CD12,13	RC-GZA224AF1H	J AA	0.22 μF,50V,Electrolytic
CD14-18	RC-GZA106AF1C	J AB	10 μF,16V,Electrolytic
CD19,20	VCKYMN1HB151K	J AA	150 pF,50V
CD21	RC-GZA476AF1E	J AB	47 μF,25V,Electrolytic
CD33,34	VCKYMN1HB151K	J AA	150 pF,50V
CD35,36	RC-GZA107AF1A	J AB	100 μF,10V,Electrolytic
CD37,38	RC-GZA106AF1C	J AB	10 μF,16V,Electrolytic

NO.	PARTS CODE	★ PRICE RANK	DESCRIPTION
CD39,40	RC-GZA104AF1H	J AB	0.1 μF,50V,Electrolytic
CD41,42	RC-GZA226AF1E	J AB	22 μF,25V,Electrolytic
CD43,44	VCTYPA1CX183K	J AA	0.018 μF,16V
CD45	RC-GZA476AF1C	J AB	47 μF,16V,Electrolytic
CD46	RC-GZA224AF1H	J AA	0.22 μF,50V,Electrolytic
CD51-56	RC-GZA105AF1H	J AB	1 μF,50V,Electrolytic
CD57	RC-GZA476AF1E	J AB	47 μF,25V,Electrolytic
CD58	VCTYMN1EF223Z	J AA	0.022 μF,25V
CD59,60	VCCSBT1HL100J	J AA	10 pF,50V
CM1	RC-GZA476AF1E	J AB	47 μF,25V,Electrolytic
CT1	VCCCMN1HH180J	J AA	18 pF (CH),50V
CT2	VCTYMN1CY103K	J AA	0.01 μF,16V
CT3	VCCSMN1HL4R7C	J AA	4.7 pF,50V
CT4	VCKYMN1HB102K	J AA	0.001 μF,50V
CT5	VCCUMN1HJ6R8D	J AB	6.8 pF (UJ),50V
CT6	VCTYMN1EF223Z	J AA	0.022 μF,25V
CT7	VCKYMN1HB102K	J AA	0.001 μF,50V
CT8,9	VCTYMN1CX472K	J AA	0.0047 μF,16V
CT10	VCTYMN1EF223Z	J AA	0.022 μF,25V
CT11	VCCCMN1HH150J	J AA	15 pF (CH),50V
CT12	VCCSMN1HL330J	J AA	33 pF,50V
CT13	VCCUMN1HJ3R9K	J AA	3.9 pF (UJ),50V
CT14	VCCCMN1HH220J	J AA	22 pF (CH),50V
CT15	VCTYMN1EF223Z	J AA	0.022 μF,25V
CT16	RC-GZA106AF1C	J AB	10 μF,16V,Electrolytic

RESISTORS

	VRD-MN2BD000C	J AA	0 ohm,Jumper,ø1.4x3.5mm,Ivory
	VRS-TV2AB000J	J AA	0 ohm,Jumper,1.25x2mm,Green
PR101	RH-QX0003AWZZ	J AK	Posistar,2.2 ohms
PS901	VHHZPP221E-1	J AK	Posistor
R1	VRD-MN2BD102J	J AA	1 kohm,1/8W
R2	VRD-MN2BD104J	J AA	100 kohm,1/8W
R3	VRD-MN2BD153J	J AA	15 kohms,1/8W
R4	VRD-MN2BD222J	J AA	2.2 kohms,1/8W
R5	VRD-ST2CD682J	J AA	6.8 kohms,1/6W
R6	VRD-MN2BD101J	J AA	100 ohms,1/8W
R7	VRD-MN2BD102J	J AA	1 kohm,1/8W
R8	VRD-MN2BD123J	J AA	12 kohms,1/8W
R9	VRD-MN2BD273J	J AA	27 kohms,1/8W
R10	VRD-ST2CD823J	J AA	82 kohms,1/6W
R11	VRD-MN2BD332J	J AA	3.3 kohms,1/8W
R12	VRD-MN2BD153J	J AA	15 kohms,1/8W
R13	VRD-MN2BD333J	J AA	33 kohms,1/8W
R14	VRD-MN2BD103J	J AA	10 kohm,1/8W
R15	VRD-MN2BD473J	J AA	47 kohms,1/8W
R16	VRD-MN2BD152J	J AA	1.5 kohms,1/8W
R17	VRD-MN2BD823J	J AA	82 kohms,1/8W
R18	VRD-ST2CD335J	J AA	3.3 Mohms,1/6W
R19	VRD-MN2BN393J	J AA	39 kohms,1/8W
R20	VRD-MN2BD103J	J AA	10 kohm,1/8W
R21	VRD-MN2BD563J	J AA	56 kohms,1/8W
R22	VRD-MN2BD682J	J AA	6.8 kohms,1/8W
R23	VRD-MN2BD122J	J AA	1.2 kohms,1/8W
R24	VRD-MN2BD103J	J AA	10 kohm,1/8W
R25	VRD-MN2BD122J	J AA	1.2 kohms,1/8W
R26,27	VRD-MN2BD234J	J AA	220 kohms,1/8W
R28,29	VRD-ST2CD102J	J AA	1 kohm,1/6W
R32	VRD-MN2BD563J	J AA	56 kohms,1/8W
R33	VRD-MN2BD562J	J AA	5.6 kohms,1/8W
R34	VRD-MN2BD102J	J AA	1 kohm,1/8W
R35	VRD-MN2BD471J	J AA	470 ohms,1/8W
R36,37	VRD-MN2BD473J	J AA	47 kohms,1/8W
R38	VRD-MN2BD333J	J AA	33 kohms,1/8W
R39,40	VRD-MN2BD223J	J AA	22 kohms,1/8W
R41	VRD-MN2BD472J	J AA	4.7 kohms,1/8W
R43	VRD-ST2CD220J	J AA	22 ohms,1/6W
R44	VRD-MN2BD561J	J AA	560 ohms,1/8W
R48	VRD-MN2BD102J	J AA	1 kohm,1/8W
R49	VRD-ST2CD104J	J AA	100 kohms,1/6W
R54	VRD-ST2CD102J	J AA	1 kohm,1/6W
R56	VRD-MN2BD122J	J AA	1.2 kohms,1/8W
R57	VRD-MN2BD273J	J AA	27 kohms,1/8W
R58	VRD-ST2CD681J	J AA	680 ohms,1/6W
R60	VRD-MN2BD102J	J AA	1 kohm,1/8W
R61-64	VRD-ST2CD102J	J AA	1 kohm,1/6W
R65	VRD-MN2BD103J	J AA	10 kohm,1/8W
R66	VRD-ST2CD103J	J AA	10 kohm,1/6W
R67-70	VRD-MN2BD103J	J AA	10 kohm,1/8W
R71,72	VRD-ST2CD472J	J AA	4.7 kohms,1/6W
R73	VRD-MN2BD562J	J AA	5.6 kohms,1/8W

CD-C1600Z/CD-K1600Z

NO.	PART CODE	★ PRICE RANK	DESCRIPTION	NO.	PARTS CODE	★ PRICE RANK	DESCRIPTION
R74	VRD-ST2CD562J	J AA	5.6 kohms, 1/6W	R249,250	VRD-ST2CD102J	J AA	1 kohm, 1/6W
R75,76	VRD-MN2BD152J	J AA	1.5 kohms, 1/8W	R251,252	VRD-MN2BD102J	J AA	1 kohm, 1/8W
R77	VRD-MN2BD682J	J AA	6.8 kohms, 1/8W	R253	VRD-ST2CD102J	J AA	1 kohm, 1/6W
R78-80	VRD-MN2BD103J	J AA	10 kohm, 1/8W	R254,255	VRD-MN2BD102J	J AA	1 kohm, 1/8W
R81	VRD-MN2BD472J	J AA	4.7 kohms, 1/8W	R256	VRD-ST2CD222J	J AA	2.2 kohms, 1/6W
R83	VRD-MN2BD103J	J AA	10 kohm, 1/8W	R257-262	VRD-ST2CD102J	J AA	1 kohm, 1/6W
R84	VRD-ST2CD103J	J AA	10 kohm, 1/6W	R263-265	VRD-MN2BD102J	J AA	1 kohm, 1/8W
R85,86	VRD-MN2BD103J	J AA	10 kohm, 1/8W	R266	VRD-ST2CD102J	J AA	1 kohm, 1/6W
R88	VRD-ST2CD561J	J AA	560 ohms, 1/6W	R267	VRD-ST2CD473J	J AA	47 kohms, 1/6W
R89	VRD-MN2BD220J	J AA	22 ohms, 1/8W	R268	VRD-MN2BD332J	J AA	3.3 kohms, 1/8W
R90	VRD-ST2EE221J	J AA	220 ohms, 1/4W	R269,270	VRD-MN2BD102J	J AA	1 kohm, 1/8W
R91	VRD-MN2BD682J	J AA	6.8 kohms, 1/8W	R271	VRD-MN2BD103J	J AA	10 kohm, 1/8W
R92	VRD-MN2BD392J	J AA	3.9 kohms, 1/8W	R272	VRD-MN2BD820J	J AA	82 ohms, 1/8W
R93	VRD-MN2BD682J	J AA	6.8 kohms, 1/8W	R273	VRD-MN2BD103J	J AA	10 kohm, 1/8W
R94	VRD-ST2EE3R9J	J AA	3.9 ohms, 1/4W	R274	VRD-MN2BD101J	J AA	100 ohm, 1/8W
R97	VRD-ST2CD122J	J AA	1.2 kohms, 1/6W	R275	VRD-MN2BD102J	J AA	1 kohm, 1/8W
R98	VRD-MN2BD332J	J AA	3.3 kohms, 1/8W	R276	VRD-MN2BD151J	J AA	150 ohms, 1/8W
R99	VRD-ST2EE220J	J AA	22 ohms, 1/4W	R278,279	VRD-ST2CD103J	J AA	10 kohm, 1/6W
R101,102	VRD-ST2CD102J	J AA	1 kohm, 1/6W	R280	VRD-MN2BD102J	J AA	1 kohm, 1/8W
R103,104	VRD-MN2BD222J	J AA	2.2 kohms, 1/8W	R281	VRD-MN2BD473J	J AA	47 kohms, 1/8W
R105,106	VRD-MN2BD332J	J AA	3.3 kohms, 1/8W	R282	VRD-MN2BD151J	J AA	150 ohms, 1/8W
R107,108	VRD-MN2BD103J	J AA	10 kohm, 1/8W	R283	VRD-ST2CD103J	J AA	10 kohm, 1/6W
R109	VRD-ST2CD103J	J AA	10 kohm, 1/6W	R284-286	VRD-ST2CD102J	J AA	1 kohm, 1/6W
R110	VRD-MN2BD103J	J AA	10 kohm, 1/8W	R287	VRD-ST2CD103J	J AA	10 kohm, 1/6W
R111,112	VRD-ST2CD153J	J AA	15 kohms, 1/6W	R288-292	VRD-MN2BD103J	J AA	10 kohm, 1/8W
R113-115	VRD-MN2BD103J	J AA	10 kohm, 1/8W	R293,294	VRD-ST2CD103J	J AA	10 kohm, 1/6W
R117,118	VRD-ST2CD102J	J AA	1 kohm, 1/6W	R295-298	VRD-MN2BD473J	J AA	47 kohms, 1/8W
R119,120	VRD-ST2CD560J	J AA	56 ohms, 1/6W	R299	VRD-ST2CD473J	J AA	47 kohms, 1/6W
R121,122	VRD-MN2BD104J	J AA	100 kohm, 1/8W				[CD-C1600Z Only]
R123,124	VRD-MN2BD392J	J AA	3.9 kohms, 1/8W	R302	VRD-ST2CD820J	J AA	82 ohms, 1/6W
R125,126	VRD-MN2BD562J	J AA	5.6 kohms, 1/8W	R310	VRD-MN2BD223J	J AA	22 kohms, 1/8W
R127,128	VRD-ST2CD562J	J AA	5.6 kohms, 1/6W	R311	VRD-MN2BD104J	J AA	100 kohm, 1/8W
R129	VRD-ST2CD103J	J AA	10 kohm, 1/6W	R312	VRD-MN2BD333J	J AA	33 kohms, 1/8W
R130	VRD-MN2BD103J	J AA	10 kohm, 1/8W	R313	VRD-MN2BD223J	J AA	22 kohms, 1/8W
R131,132	VRD-MN2BD224J	J AA	220 kohms, 1/8W	R314	VRD-MN2BD332J	J AA	3.3 kohms, 1/8W
R133	VRD-ST2CD223J	J AA	22 kohms, 1/6W	R315	VRD-ST2CD223J	J AA	22 kohms, 1/6W
R134	VRD-MN2BD683J	J AA	68 kohms, 1/8W	R316	VRD-MN2BD223J	J AA	22 kohms, 1/8W
R135,136	VRD-MN2BD332J	J AA	3.3 kohms, 1/8W	R317	VRD-MN2BD103J	J AA	10 kohm, 1/8W
R137,138	VRD-ST2CD682J	J AA	6.8 kohms, 1/6W	R318	VRD-MN2BD152J	J AA	1.5 kohms, 1/8W
R139,140	VRD-MN2BD152J	J AA	1.5 kohms, 1/8W	R319	VRD-ST2CD104J	J AA	100 kohm, 1/6W
R141,142	VRD-MN2BD121J	J AA	120 ohms, 1/8W	R320	VRD-MN2BD103J	J AA	10 kohm, 1/8W
R145	VRD-MN2BD103J	J AA	10 kohm, 1/8W	R321,322	VRD-MN2BD562J	J AA	5.6 kohms, 1/8W
R146	VRD-ST2CD103J	J AA	10 kohm, 1/6W	R323	VRD-MN2BD683J	J AA	68 kohms, 1/8W
R149,150	VRD-MN2BD103J	J AA	10 kohm, 1/8W	R324	VRD-MN2BD104J	J AA	100 kohm, 1/8W
R152	VRD-MN2BD102J	J AA	1 kohm, 1/8W	R325	VRD-MN2BD563J	J AA	56 kohms, 1/8W
R153	VRD-MN2BD103J	J AA	10 kohm, 1/8W	R326	VRD-MN2BD102J	J AA	1 kohm, 1/8W
R154	VRD-ST2CD103J	J AA	10 kohm, 1/6W	R327	VRD-MN2BD562J	J AA	5.6 kohms, 1/8W
R155,156	VRD-MN2BD183J	J AA	18 kohms, 1/8W	R328	VRD-MN2BD103J	J AA	10 kohm, 1/8W
R157	VRD-MN2BD472J	J AA	4.7 kohms, 1/8W	R329	VRD-MN2BD104J	J AA	100 kohm, 1/8W
R158	VRD-ST2EE471J	J AA	470 ohms, 1/4W	R330	VRD-ST2CD102J	J AA	1 kohm, 1/6W
R160,161	VRD-ST2CD221J	J AA	220 ohms, 1/6W	R338,339	VRD-ST2CD471J	J AA	470 ohms, 1/6W
R162	VRD-MN2BD472J	J AA	4.7 kohms, 1/8W	R340	VRD-ST2CD221J	J AA	220 ohms, 1/6W
R163	VRD-MN2BD103J	J AA	10 kohm, 1/8W	R341-343	VRD-MN2BD473J	J AA	47 kohms, 1/8W
R164	VRD-MN2BD472J	J AA	4.7 kohms, 1/8W	R350	VRD-MN2BD272J	J AA	2.7 kohms, 1/8W
R165	VRD-MN2BD103J	J AA	10 kohm, 1/8W	R351	VRD-MN2BD562J	J AA	5.6 kohms, 1/8W
R166	VRD-MN2BD223J	J AA	22 kohms, 1/8W	R352	VRD-MN2BD102J	J AA	1 kohm, 1/8W
R167	VRD-MN2BD473J	J AA	4.7 kohms, 1/8W	R353	VRD-MN2BD271J	J AA	270 ohms, 1/8W
R168	VRD-MN2BD4R7J	J AA	4.7 ohms, 1/8W	R354	VRD-ST2CD392J	J AA	3.9 kohms, 1/6W
R173,174	VRD-MN2BD223J	J AA	22 kohms, 1/8W	R355	VRD-MN2BD332J	J AA	3.3 kohms, 1/8W
R185,186	VRD-ST2EE560J	J AA	56 ohms, 1/4W	R356	VRD-MN2BD102J	J AA	1 kohm, 1/8W
R189	VRD-ST2CD102J	J AA	1 kohm, 1/6W	R357	VRD-ST2CD474J	J AA	470 kohms, 1/6W
R190	VRD-MN2BD102J	J AA	1 kohm, 1/8W	R358	VRD-MN2BD822J	J AA	8.2 kohms, 1/8W
R191	VRD-MN2BD272J	J AA	2.7 kohms, 1/8W	R359	VRD-MN2BD182J	J AA	1.8 kohms, 1/8W
R192	VRD-MN2BD272J	J AA	2.7 kohms, 1/8W	R360	VRD-MN2BD472J	J AA	4.7 kohms, 1/8W
R193,194	VRD-MN2BD152J	J AA	1.5 kohms, 1/8W	R361,362	VRD-MN2BD332J	J AA	3.3 kohms, 1/8W
R201	VRD-ST2CD102J	J AA	1 kohm, 1/6W	R365,366	VRD-MN2BD103J	J AA	10 kohm, 1/8W
R202	VRD-MN2BD102J	J AA	1 kohm, 1/8W	R367	VRD-MN2BD102J	J AA	1 kohm, 1/8W
R203	VRD-ST2CD102J	J AA	1 kohm, 1/6W	R368	VRD-ST2CD333J	J AA	33 kohms, 1/6W
R204-206	VRD-MN2BD102J	J AA	1 kohm, 1/8W	R371-374	VRD-MN2BD102J	J AA	1 kohm, 1/8W
R207-219	VRD-ST2CD102J	J AA	1 kohm, 1/6W	R376	VRD-MN2BD102J	J AA	1 kohm, 1/8W
R220,221	VRD-MN2BD102J	J AA	1 kohm, 1/8W	R377	VRD-ST2CD473J	J AA	47 kohms, 1/6W
R222-227	VRD-ST2CD102J	J AA	1 kohm, 1/6W	R379	VRD-MN2BD222J	J AA	2.2 kohms, 1/8W
R228	VRD-MN2BD103J	J AA	10 kohm, 1/8W	R380	VRD-MN2BD152J	J AA	1.5 kohms, 1/8W
			[CD-K1600Z Only]	R381	VRD-MN2BD103J	J AA	10 kohm, 1/8W
R229,230	VRD-ST2CD102J	J AA	1 kohm, 1/6W	R382	VRD-ST2EE151J	J AA	150 ohms, 1/4W
R231-233	VRD-MN2BD102J	J AA	1 kohm, 1/8W	R383-385	VRD-MN2BD562J	J AA	5.6 kohms, 1/8W
R234	VRD-ST2CD102J	J AA	1 kohm, 1/6W	R387	VRD-MN2BD223J	J AA	22 kohms, 1/8W
R235-237	VRD-MN2BD102J	J AA	1 kohm, 1/8W	R391,392	VRD-ST2EE391J	J AA	390 ohms, 1/4W
R238-241	VRD-ST2CD102J	J AA	1 kohm, 1/6W	R393	VRD-ST2CD102J	J AA	1 kohm, 1/6W
R242-245	VRD-MN2BD102J	J AA	1 kohm, 1/8W	R395	VRD-ST2CD473J	J AA	47 kohms, 1/6W
R246	VRD-ST2CD102J	J AA	1 kohm, 1/6W	R396-398	VRD-MN2BD102J	J AA	1 kohm, 1/8W
R247,248	VRD-MN2BD102J	J AA	1 kohm, 1/8W	R449	VRD-MN2BD152J	J AA	1.5 kohms, 1/8W

CD-C1600Z/CD-K1600Z

NO.	PART CODE	★ PRICE RANK	DESCRIPTION	NO.	PARTS CODE	★ PRICE RANK	DESCRIPTION
R451	VRD-MN2BD103J	J AA	10 kohm,1/8W	R607	VRD-ST2CD103J	J AA	10 kohm,1/6W [CD-K1600Z Only]
R452	VRD-MN2BD472J	J AA	4.7 kohms,1/8W	R608	VRD-ST2CD153J	J AA	15 kohms,1/6W [CD-K1600Z Only]
R453,454	VRD-MN2BD222J	J AA	2.2 kohms,1/8W	R609	VRD-ST2CD330J	J AA	33 ohms,1/6W [CD-K1600Z Only]
R455,456	VRD-ST2CD392J	J AA	3.9 kohms,1/6W	R610,611	VRD-ST2CD102J	J AA	1 kohm,1/6W [CD-K1600Z Only]
R457,458	VRD-ST2CD123J	J AA	12 kohms,1/6W	R612	VRD-ST2CD563J	J AA	56 kohms,1/6W [CD-K1600Z Only]
R465,466	VRD-MN2BD102J	J AA	1 kohm,1/8W	R614	VRD-ST2CD393J	J AA	39 kohms,1/6W [CD-K1600Z Only]
R468,469	VRD-ST2CD101J	J AA	100 ohm,1/6W	R615	VRD-ST2CD332J	J AA	3.3 kohms,1/6W [CD-K1600Z Only]
R470	VRD-MN2BD103J	J AA	10 kohm,1/8W	R616	VRD-ST2CD153J	J AA	15 kohms,1/6W [CD-K1600Z Only]
R473,474	VRD-MN2BD103J	J AA	10 kohm,1/8W	R617	VRD-ST2CD103J	J AA	10 kohm,1/6W [CD-K1600Z Only]
R475	VRD-ST2CD222J	J AA	2.2 kohms,1/6W	R618	VRD-ST2CD153J	J AA	15 kohms,1/6W [CD-K1600Z Only]
R478	VRD-ST2CD102J	J AA	1 kohm,1/6W	R619	VRD-ST2CD223J	J AA	22 kohms,1/6W [CD-K1600Z Only]
R479	VRD-MN2BD223J	J AA	22 kohms,1/8W	R636	VRD-ST2CD102J	J AA	1 kohm,1/6W [CD-K1600Z Only]
R480	VRD-MN2BD473J	J AA	47 kohms,1/8W	R653,654	VRD-MN2BD102J	J AA	1 kohm,1/8W
R481	VRD-ST2CD392J	J AA	3.9 kohms,1/6W	R667	VRD-ST2CD101J	J AA	100 ohm,1/6W [CD-K1600Z Only]
R482	VRD-MN2BD333J	J AA	33 kohms,1/8W	R668	VRD-ST2CD122J	J AA	1.2 kohms,1/6W [CD-K1600Z Only]
R483	VRD-MN2BD104J	J AA	100 kohm,1/8W	R669,670	VRD-ST2EE221J	J AA	220 ohms,1/4W [CD-K1600Z Only]
R484	VRD-MN2BD152J	J AA	1.5 kohms,1/8W	R680	VRD-ST2CD221J	J AA	220 ohms,1/6W
R487	VRD-MN2BD104J	J AA	100 kohm,1/8W	R681	VRD-MN2BD102J	J AA	1 kohm,1/8W
R488	VRD-MN2BD472J	J AA	4.7 kohms,1/8W	R682	VRD-ST2CD102J	J AA	1 kohm,1/6W
R490	VRD-MN2BD472J	J AA	4.7 kohms,1/8W	R683,684	VRD-MN2BD104J	J AA	100 kohm,1/8W
R491	VRD-ST2CD152J	J AA	1.5 kohms,1/6W	R685	VRD-MN2BD183J	J AA	18 kohms,1/8W
R492	VRD-MN2BD472J	J AA	4.7 kohms,1/8W	R686	VRD-ST2CD183J	J AA	18 kohms,1/6W
R493	VRD-MN2BD102J	J AA	1 kohm,1/8W	R687,688	VRD-MN2BD332J	J AA	3.3 kohms,1/8W
R494	VRD-ST2CD104J	J AA	100 kohm,1/6W	R689	VRD-ST2CD683J	J AA	68 kohms,1/6W
R495	VRD-MN2BD102J	J AA	1 kohm,1/8W	R690	VRD-MN2BD683J	J AA	68 kohms,1/8W
R497	VRD-ST2CD104J	J AA	100 kohm,1/6W	R691,692	VRD-MN2BD472J	J AA	4.7 kohms,1/8W
R498	VRD-MN2BD472J	J AA	4.7 kohms,1/8W	R693	VRD-MN2BD273J	J AA	27 kohms,1/8W
R499	VRD-ST2CD152J	J AA	1.5 kohms,1/6W	R694	VRD-ST2CD273J	J AA	27 kohms,1/6W
R500	VRD-MN2BD682J	J AA	6.8 kohms,1/8W	R695,696	VRD-MN2BD182J	J AA	1.8 kohms,1/8W
R501	VRD-MN2BD102J	J AA	1 kohm,1/8W	R697,698	VRD-ST2CD333J	J AA	33 kohms,1/6W
R502	VRD-ST2CD102J	J AA	1 kohm,1/6W	R699	VRD-ST2CD473J	J AA	47 kohms,1/6W
R503-508	VRD-MN2BD102J	J AA	1 kohm,1/8W	R701	VRD-ST2CD561J	J AA	560 ohms,1/6W
R509,510	VRD-MN2BD182J	J AA	1.8 kohms,1/8W	R702-705	VRD-ST2CD102J	J AA	1 kohm,1/6W
R511,512	VRD-MN2BD153J	J AA	15 kohms,1/8W	R706	VRS-TV2AB821J	J AA	820 ohms,1/10W
R513	VRD-ST2CD474J	J AA	470 kohms,1/6W	R707-712	VRS-TV2AB102J	J AA	1 kohm,1/10W
R514	VRD-MN2BD474J	J AA	470 kohms,1/8W	R713	VRD-ST2CD102J	J AA	1 kohm,1/6W
R515	VRD-ST2CD102J	J AA	1 kohm,1/6W	R714-716	VRS-TV2AB102J	J AA	1 kohm,1/10W
R516	VRD-MN2BD102J	J AA	1 kohm,1/8W	R717-722	VRD-ST2CD102J	J AA	1 kohm,1/6W
R521	VRD-MN2BD102J	J AA	1 kohm,1/8W	R723,724	VRD-ST2CD561J	J AA	560 ohms,1/6W
R522	VRD-ST2CD102J	J AA	1 kohm,1/6W	R725-727	VRD-ST2CD102J	J AA	1 kohm,1/6W
R523,524	VRD-ST2CD102J	J AA	1 kohm,1/6W [CD-K1600Z Only]	R728	VRD-ST2CD561J	J AA	560 ohms,1/6W
R525,526	VRD-MN2BD123J	J AA	12 kohms,1/8W	R729-732	VRD-ST2CD102J	J AA	1 kohm,1/6W
R550-552	VRD-ST2CD102J	J AA	1 kohm,1/6W	R733-735	VRS-TV2AB103J	J AA	10 kohm,1/10W
R553	VRD-ST2CD153J	J AA	15 kohms,1/6W	R738-743	VRD-ST2CD103J	J AA	10 kohm,1/6W
R554	VRD-MN2BD474J	J AA	470 kohms,1/8W	R744	VRS-TV2AB103J	J AA	10 kohm,1/10W
R555	VRD-MN2BD274J	J AA	270 kohms,1/8W	R745	VRD-ST2CD562J	J AA	5.6 kohms,1/6W
R556	VRD-ST2CD563J	J AA	56 kohms,1/6W	R746	VRS-TV2AB152J	J AA	1.5 kohms,1/10W
R557	VRD-MN2BD474J	J AA	470 kohms,1/8W	R747	VRS-TV2AB182J	J AA	1.8 kohms,1/10W
R558	VRD-ST2CD104J	J AA	100 kohm,1/6W	R748	VRS-TV2AB272J	J AA	2.7 kohms,1/10W
R559,560	VRD-MN2BD225J	J AA	2.2 Mohms,1/8W	R749	VRS-TV2AB392J	J AA	3.9 kohms,1/10W
R561	VRD-ST2CD104J	J AA	100 kohm,1/6W	R750	VRD-ST2CD682J	J AA	6.8 kohms,1/6W
R562	VRD-MN2BD183J	J AA	18 kohms,1/8W	R751	VRD-ST2CD152J	J AA	1.5 kohms,1/6W
R563	VRD-ST2CD223J	J AA	22 kohms,1/6W	R752	VRD-ST2CD182J	J AA	1.8 kohms,1/6W
R564	VRD-MN2BD684J	J AA	680 kohms,1/8W	R753	VRS-TV2AB272J	J AA	2.7 kohms,1/10W
R565	VRD-ST2CD224J	J AA	220 kohms,1/6W	R754	VRS-TV2AB392J	J AA	3.9 kohms,1/10W
R566	VRD-MN2BD104J	J AA	100 kohm,1/8W	R755	VRD-ST2CD682J	J AA	6.8 kohms,1/6W
R567	VRD-MN2BD123J	J AA	12 kohms,1/8W	R756	VRS-TV2AB123J	J AA	12 kohms,1/10W
R568	VRD-MN2BD683J	J AA	68 kohms,1/8W	R757	VRD-ST2CD152J	J AA	1.5 kohms,1/6W
R569	VRD-MN2BD394J	J AA	390 kohms,1/8W	R758	VRD-ST2CD182J	J AA	1.8 kohms,1/6W
R570	VRD-MN2BD224J	J AA	220 kohms,1/8W	R759	VRS-TV2AB272J	J AA	2.7 kohms,1/10W
R571	VRD-ST2CD104J	J AA	100 kohm,1/6W	R760	VRS-TV2AB392J	J AA	3.9 kohms,1/10W
R572	VRD-MN2BD474J	J AA	470 kohms,1/8W	R761	VRS-TV2AB682J	J AA	6.8 kohms,1/10W
R573	VRD-MN2BD123J	J AA	12 kohms,1/8W	R762	VRS-TV2AP123J	J AA	12 kohms,1/10W
R574	VRD-MN2BD393J	J AA	39 kohms,1/8W	R763	VRD-ST2CD152J	J AA	1.5 kohms,1/6W
R575	VRD-MN2BD224J	J AA	220 kohms,1/8W	R764	VRD-ST2CD182J	J AA	1.8 kohms,1/6W
R576	VRD-ST2CD104J	J AA	100 kohm,1/6W	R765	VRS-TV2AB272J	J AA	2.7 kohms,1/10W
R577	VRD-MN2BD394J	J AA	390 kohms,1/8W	R766	VRS-TV2AB392J	J AA	3.9 kohms,1/10W [CD-K1600Z Only]
R578	VRD-ST2CD103J	J AA	10 kohm,1/6W	R767	VRS-TV2AB152J	J AA	1.5 kohms,1/10W
R579	VRD-ST2CD333J	J AA	33 kohms,1/6W				
R580	VRD-MN2BD224J	J AA	220 kohms,1/8W				
R581	VRD-ST2CD104J	J AA	100 kohm,1/6W				
R582	VRD-ST2EE331J	J AA	330 ohms,1/4W				
R583	VRD-ST2CD221J	J AA	220 ohms,1/6W				
R591,592	VRD-MN2BD222J	J AA	2.2 kohms,1/8W				
R601,602	VRD-ST2CD562J	J AA	5.6 kohms,1/6W [CD-K1600Z Only]				
R603	VRD-ST2CD102J	J AA	1 kohm,1/6W [CD-K1600Z Only]				
R604,605	VRD-ST2CD154J	J AA	150 kohms,1/6W [CD-K1600Z Only]				
R606	VRD-ST2CD153J	J AA	15 kohms,1/6W [CD-K1600Z Only]				

CD-C1600Z/CD-K1600Z

NO.	PART CODE	★ PRICE RANK	DESCRIPTION
R768	VRS-TV2AB182J	J AA	1.8 kohms,1/10W
R769	VRS-TV2AB272J	J AA	2.7 kohms,1/10W
R770	VRS-TV2AB152J	J AA	1.5 kohms,1/10W
R771	VRS-TV2AB182J	J AA	1.8 kohms,1/10W
R772	VRS-TV2AB272J	J AA	2.7 kohms,1/10W
R773	VRS-TV2AB392J	J AA	3.9 kohms,1/10W
R774-776	VRD-ST2CD122J	J AA	1.2 kohms,1/6W
R777-780	VRD-ST2CD102J	J AA	1 kohm,1/6W
R781	VRS-TV2AB222J	J AA	2.2 kohms,1/10W
R782	VRS-TV2AB103J	J AA	10 kohm,1/10W
R783	VRS-TV2AB473J	J AA	47 kohms,1/10W
R784	VRS-TV2AB104J	J AA	100 kohm,1/10W
R785,786	VRS-TV2AB473J	J AA	47 kohms,1/10W
R787	VRS-TV2AB104J	J AA	100 kohm,1/10W
R788	VRS-TV2AB473J	J AA	47 kohms,1/10W
R789	VRS-TV2AB104J	J AA	100 kohm,1/10W
R790	VRS-TV2AB473J	J AA	47 kohms,1/10W
R791	VRS-TV2AB104J	J AA	100 kohm,1/10W
R792	VRS-TV2AB473J	J AA	47 kohms,1/10W
R793	VRS-TV2AB104J	J AA	100 kohm,1/10W
R794	VRS-TV2AB473J	J AA	47 kohms,1/10W
R795	VRS-TV2AB104J	J AA	100 kohm,1/10W
R796	VRS-TV2AB102J	J AA	1 kohm,1/10W
R797	VRS-TV2AB473J	J AA	47 kohms,1/10W
R798,799	VRS-TV2AB330J	J AA	33 ohms,1/10W
R801	VRD-ST2CD123J	J AA	12 kohms,1/6W
R804,805	VRD-RT2HD1R2J	J	1.2 ohms,1/2W
R807	VRD-ST2CD222J	J AA	2.2 kohms,1/6W
R809,810	VRD-RT2HD1R2J	J	1.2 ohms,1/2W
R820	VRD-ST2CD470J	J AA	47 ohms,1/6W
R822	VRD-ST2EE561J	J AA	560 ohms,1/4W
R823,824	VRD-ST2CD470J	J AA	47 ohms,1/6W
R825	VRD-MN2BD102J	J AA	1 kohm,1/8W
R826	VRD-ST2EE561J	J AA	560 ohms,1/4W
R827	VRG-ST2EC220J	J AB	22 ohms,1/4W,Fusible
R828	VRD-ST2EE101J	J AA	100 ohm,1/4W
R829	VRD-ST2EE152J	J AA	1.5 kohms,1/4W
R831	VRD-MN2BD223J	J AA	22 kohms,1/8W
R832,833	VRD-ST2CD221J	J AA	220 ohms,1/6W
R834	VRD-ST2CD102J	J AA	1 kohm,1/6W
R835	VRD-ST2CD333J	J AA	33 kohms,1/6W
R901,902	VRD-MN2BD102J	J AA	1 kohm,1/8W
R903,904	VRD-MN2BD473J	J AA	47 kohms,1/8W
R905,906	VRD-MN2BD562J	J AA	5.6 kohms,1/8W
R907,908	VRD-ST2CD563J	J AA	56 kohms,1/6W
R909,910	VRD-ST2CD102J	J AA	1 kohm,1/6W
R911,912	VRD-ST2CD563J	J AA	56 kohms,1/6W
R913,914	VRD-ST2CD331J	J AA	330 ohms,1/6W
R915,916	VRD-ST2CD102J	J AA	1 kohm,1/6W
R917,918	VRD-ST2CD101J	J AA	100 ohm,1/6W
R919,920	VRD-ST2CD222J	J AA	2.2 kohms,1/6W
R921-924	VRS-VV3AAR20J	J AB	0.2 ohms,1W
R925,926	VRD-ST2CD563J	J AA	56 kohms,1/6W
R927,928	VRD-ST2EE4R7J	J AA	4.7 ohms,1/4W
R933-936	VRD-RT2HD181J	J AA	180 ohms,1/2W
R937,938	VRD-ST2CD121J	J AA	120 ohms,1/6W
R939,940	VRD-ST2CD152J	J AA	1.5 kohms,1/6W
R941,942	VRD-ST2CD102J	J AA	1 kohm,1/6W
R943,944	VRD-MN2BD104J	J AA	100 kohm,1/8W
R945,946	VRD-MN2BD823J	J AA	82 kohms,1/8W
R947,948	VRD-MN2BD183J	J AA	18 kohms,1/8W
R951,952	VRD-MN2BD222J	J AA	2.2 kohms,1/8W
R953,954	VRD-ST2CD103J	J AA	10 kohm,1/6W
R955,956	VRD-MN2BD683J	J AA	68 kohms,1/8W
R971,972	VRD-ST2CD223J	J AA	22 kohms,1/6W
R973	VRD-ST2CD392J	J AA	3.9 kohms,1/6W
R974	VRD-ST2CD102J	J AA	1 kohm,1/6W
R975	VRD-ST2CD392J	J AA	3.9 kohms,1/6W
R976	VRD-ST2EE470J	J AA	47 ohms,1/4W
R983,984	VRD-ST2CD471J	J AA	470 ohms,1/6W
R985	VRS-VV3LA122J	J	1.2 kohms,3W
R987	VRG-ST2HC101J	J AB	100 ohm,1/2W,Fusible
R989-992	VRD-RT2HD100J	J AA	10 ohm,1/2W
R993	VRG-ST2HC101J	J AB	100 ohm,1/2W,Fusible
R995	VRD-ST2CD223J	J AA	22 kohms,1/6W
R996	VRD-ST2CD473J	J AA	47 kohms,1/6W
R997	VRD-ST2CD332J	J AA	3.3 kohms,1/6W
R998	VRD-ST2CD563J	J AA	56 kohms,1/6W
RA720-722	VRD-ST2CD473J	J AA	47 kohms,1/6W
RD1,2	VRD-MN2BD102J	J AA	1 kohm,1/8W
RD3,4	VRD-MN2BD102J	J AA	1 kohm,1/8W
RD5,6	VRD-MN2BD103J	J AA	10 kohm,1/8W

NO.	PARTS CODE	★ PRICE RANK	DESCRIPTION
RD7,8	VRD-MN2BD182J	J AA	1.8 kohms,1/8W
RD9	VRD-ST2CD223J	J AA	22 kohms,1/6W
RD10-14	VRD-MN2BD103J	J AA	10 kohm,1/8W
RD15	VRD-ST2EE271J	J AA	270 ohms,1/4W
RD21,22	VRD-MN2BD683J	J AA	68 kohms,1/8W
RD23,24	VRD-MN2BD122J	J AA	1.2 kohms,1/8W
RD25,26	VRD-MN2BD332J	J AA	3.3 kohms,1/8W
RD27,28	VRD-MN2BD393J	J AA	39 kohms,1/8W
RD29,30	VRD-MN2BD102J	J AA	1 kohm,1/8W
RD31,32	VRD-MN2BD822J	J AA	8.2 kohms,1/8W
RD33,34	VRD-MN2BD123J	J AA	12 kohms,1/8W
RD35	VRD-MN2BD105J	J AA	1 Mohm,1/8W
RD36	VRD-ST2CD101J	J AA	100 ohm,1/6W
RD37	VRD-ST2EE271J	J AA	270 ohms,1/4W
RD38	VRD-MN2BD102J	J AA	1 kohm,1/8W
RD39	VRD-MN2BD105J	J AA	1 Mohm,1/8W
RD41,42	VRD-MN2BD472J	J AA	4.7 kohms,1/8W
RD43,44	VRD-ST2CD334J	J AA	330 kohms,1/6W
RD51-58	VRD-MN2BD104J	J AA	100 kohm,1/8W
RD59	VRD-MN2BD103J	J AA	10 kohm,1/8W
RD60	VRD-MN2BD222J	J AA	2.2 kohms,1/8W
RD61	VRD-MN2BD102J	J AA	1 kohm,1/8W
RD62	VRD-ST2EE271J	J AA	270 ohms,1/4W
RD64	VRD-ST2CD682J	J AA	6.8 kohms,1/6W
RD65	VRD-ST2CD272J	J AA	2.7 kohms,1/6W
RD66	VRD-MN2BD272J	J AA	2.7 kohms,1/8W
RD71,72	VRD-MN2BD682J	J AA	6.8 kohms,1/8W
RD73	VRD-MN2BD334J	J AA	330 kohms,1/8W
RD75	VRD-MN2BD473J	J AA	47 kohms,1/8W
RM1	VRD-MN2BD272J	J AA	2.7 kohms,1/8W
RM2	VRD-MN2BD562J	J AA	5.6 kohms,1/8W
RM3	VRD-ST2CD333J	J AA	33 kohms,1/6W
RM4,5	VRD-ST2CD103J	J AA	10 kohm,1/6W
RM6	VRD-ST2CD222J	J AA	2.2 kohms,1/6W
RM7,8	VRD-RT2HD100J	J AA	10 ohm,1/2W
RM9,10	VRD-ST2CD103J	J AA	10 kohm,1/6W
RM11,12	VRD-ST2CD222J	J AA	2.2 kohms,1/6W
RM13	VRD-MN2BD103J	J AA	10 kohm,1/8W
RM14	VRD-MN2BD472J	J AA	4.7 kohms,1/8W
RM17	VRD-MN2BD332J	J AA	3.3 kohms,1/8W
RM18	VRD-ST2CD332J	J AA	3.3 kohms,1/6W
RM19	VRD-MN2BD562J	J AA	5.6 kohms,1/8W
RM20,21	VRD-MN2BD103J	J AA	10 kohm,1/8W
RM22	VRD-ST2CD103J	J AA	10 kohm,1/6W
RM23	VRD-MN2BD222J	J AA	2.2 kohms,1/8W
RM24	VRD-ST2CD222J	J AA	2.2 kohms,1/6W
RT1	VRD-MN2BD104J	J AA	100 kohm,1/8W
RT2	VRD-MN2BD333J	J AA	33 kohms,1/8W
RT3	VRD-ST2CD220J	J AA	22 ohms,1/6W
RT4	VRD-MN2BD470J	J AA	47 ohms,1/8W
RT5	VRD-MN2BD473J	J AA	47 kohms,1/8W
RT6	VRD-MN2BD100J	J AA	10 ohm,1/8W
RT7	VRD-MN2BD681J	J AA	680 ohms,1/8W
RT8	VRD-MN2BD103J	J AA	10 kohm,1/8W
RT9	VRD-ST2EE821J	J AA	820 ohms,1/4W
RT10	VRD-ST2CD472J	J AA	4.7 kohms,1/6W

OTHER CIRCUITRY PARTS

BI201	QCWNW0886AWZZ	J AC	Connector Ass'y,
BI601/CNS601	QCWNW0714AWZZ	J AK	Connector Ass'y,9-9Pin [CD-K1600Z Only]
BI601A/B/CNS801	QCWNW0844AWZZ	J AH	Connector Ass'y,4-3-7Pin
BI802/CNS802	QCWNW0880AWZZ	J AD	Connector Ass'y,2-2Pin
BI901/CNS901	QCWNW0842AWZZ	J AG	Connector Ass'y,5-5Pin
BI903/CNS903	QCWNW0843AWZZ	J AM	Connector Ass'y,10-10Pin
CNP1	92LCONE5P53253	J AB	Plug,5Pin
CNP2	92LCONE8P53253	J AC	Plug,8Pin
CNP3	92LCONE6P53253	J AC	Plug,6Pin
CNP3A	92LCONE6P53253	J AC	Plug,6Pin
CNP5	92LCONEBP53253	J AC	Plug,11Pin
CNP5A	92LCONE2P53254	J AB	Plug,2Pin
CNP101	92LCONE3P5267X	J AB	Plug,3Pin
CNP102	92LCONE7P53014	J AC	Plug,7Pin
CNP201	QCNCWZS12AWZZ	J	Plug,12Pin
CNP303	QCNCW010LAWZZ	J AD	Plug,11Pin
CNP451	QCNCM010LAWZZ	J AC	Plug,11Pin
CNP502	QCWNW0879AWZZ	J	Plug,9Pin [CD-K1600Z Only]
CNP801	92LCONE7P5267X	J	Plug,7Pin
CNP802	92LCONE2P5267X	J AB	Plug,2Pin
CNP901	92LCONE2P53014	J AB	Plug,2Pin
CNP902	92LCONE5P5267X	J	Plug,5Pin

NO.	PART CODE	★ PRICE RANK	DESCRIPTION	NO.	PARTS CODE	★ PRICE RANK	DESCRIPTION
CNP903	92LCONE10P5267	J	Plug,10Pin	SW728	QSW-K0003AWZZ	J AD	Switch,Key Type [TAPE]
CNPM1	92LCONEAP52288	J	Plug,10Pin	SW729	QSW-K0003AWZZ	J AD	Switch,Key Type [VIDEO/AUX]
CNPM2	92LCONE9P52287	J AC	Plug,9Pin	SW730	QSW-K0003AWZZ	J AD	Switch,Key Type [DISC 1]
CNS1A/B	QCNWN0764AWZZ	J AL	Connector Ass'y,5-5Pin	SW731	QSW-K0003AWZZ	J AD	Switch,Key Type [DISC 2]
CNS2A/B	QCNWN0658AWZZ	J AH	Connector Ass'y,8-8Pin	SW732	QSW-K0003AWZZ	J AD	Switch,Key Type [DISC 3]
CNS3A/B	QCNWN0659AWZZ	J AH	Connector Ass'y,6-6Pin	SW733	QSW-K0003AWZZ	J AD	Switch,Key Type [DISC SKIP]
CNS5/5A	QCNWN0511AWZZ	J AL	Connector Ass'y,11-2Pin	SW734	QSW-K0003AWZZ	J AD	Switch,Key Type [OPEN/CLOSE]
CNS101	QCNWN0838AWZZ	J AG	Connector Ass'y,3Pin	SW735	QSW-Z0003AWZZ	J AH	Switch,Push Type [JOG]
CNS102	QCNWN0706AWZZ	J AW	Connector Ass'y,7Pin	△SW801	QSOCE0006AWZZ	J AH	Switch,Slide Type [Voltage Selector]
CNS202	QCNCM010LAWZZ	J AC	Socket,11Pin	SWE1	QSW-F9064AFZZ	J AC	Switch,Leaf Type [Tape 2 Side A FP]
CNS451	QCNCW010LAWZZ	J AD	Socket,11Pin	SWE2	QSW-F9065AFZZ	J AC	Switch,Leaf Type [Tape 2 Play]
CNS701	QCNCMZS12AWZZ	J AE	Socket,12Pin	SWE3	QSW-F9064AFZZ	J AC	Switch,Leaf Type [Tape 2 Side B FP]
CNS901	QCNWN0177AWZZ	J AB	Socket,2Pin	SWE4	QSW-F9064AFZZ	J AC	Switch,Leaf Type [Tape 2 CrO Detection]
△F803	92LFUSE-T202-E	J AD	Fuse,T2A L 250V	SWE7	QSW-F9064AFZZ	J AC	Switch,Leaf Type [Tape 1 CrO Detection]
△F804	92LFUSE-T402-E	J AD	Fuse,T4A L 250V	SWE9	QSW-F9065AFZZ	J AC	Switch,Leaf Type [Tape 1 Play]
△F805,806	92LFUSE-T202-E	J AD	Fuse,T2A L 250V	TP451	QCNCW679CAFZZ	J AC	Test Pin,3Pin
△F820	92LFUSE-T501-E	J AD	Fuse,T500mA L 250V	TP490	92LCONE4P53253	J AB	Test Pin,4Pin
FL701	VVKBJ486GK/-1	J BB	FL Display	WH701	QCNCW015FAWZZ	J AB	Plug,6Pin
FW701	QCNWN0711AWZZ	J AG	Flat Cable,6Pin				
FW902	QCNWN0845AWZZ	J AE	Flat Cable,6Pin				
FWM1	QCNWN0840AWZZ	J AE	Flat Cable,10Pin				
FWM2	QCNWN0841AWZZ	J AF	Flat Cable,9Pin				
FWM3	92LM-CONE1676C	J AD	Flat Cable,4Pin				
FWM1	QCNWN0707AWZZ	J AK	Flat Cable,10Pin				
J601	92LJACK-1249A	J AE	Jack,Mic 1 [CD-K1600Z Only]				
J602	92LJACK-1249A	J AE	Jack,Mic 2 [CD-K1600Z Only]				
J681	QSOCJ0401AWZZ	J AH	Jack,Video/AUX				
J682	QSOCJ0206AWZZ	J AE	Jack,Video/AUX/TV Monitor				
J901	QJAKM0004AWZZ	J AK	Jack,Headphones				
M1	92LMTR1858CASY	J AS	Motor with Chassis [Spin]				
M1F	92LM-MTR1746A	J AA	Motor with Pulley [Tape]				
M2	92LMTR1854BASY	J AP	Motor with Gear [Slide]				
M3	92LMTR2037AS1	J AP	Motor with Worm [T/T Up/Down]				
M4	92LMTR2037AS2	J AP	Motor with Gear [Loading]				
M901	92LMTR1810A	J J	Motor,Air Cooling Fan				
PHM1,2	VHPI31535CD-1	J AG	Photo Interrupter				
RL801	RRLYD0117AFZZ	J AP	Relay				
RL901	RRLYD0004AWZZ	J AP	Relay				
RM701	VHL12043TH2-1	J AM	Remote Sensor,12043TH2				
SO301	QTANC0301AWZZ	J AH	Terminal,Antenna				
SO901	QTANA0404AWZZ	J AF	Terminal,Speaker				
SOL1,2	RPLU-0250AFZZ	J AG	Solenoid				
SW1	QSW-P0001AWZZ	J AE	Switch,Push Type [Disc Number]				
SW2	92LSWICHL1749A	J AD	Switch,Skleton Type [Open/Close]				
SW3	QSW-F0001AWZZ	J AD	Switch,Leaf Type [Mecha Up]				
SW4	QSW-F9001AWZZ	J AE	Switch,Leaf Type [Pickup In]				
SW202	QSW-S0012AWZZ	J AE	Switch,Slide Type [Span Selector]				
SW701	QSW-K0003AWZZ	J AD	Switch,Key Type [CLER]				
SW702	QSW-K0003AWZZ	J AD	Switch,Key Type [MEMORY/SET]				
SW703	QSW-K0003AWZZ	J AD	Switch,Key Type [CLOCK]				
SW704	QSW-K0003AWZZ	J AD	Switch,Key Type [SLEEP]				
SW705	QSW-K0003AWZZ	J AD	Switch,Key Type [TIMER]				
SW706	QSW-K0003AWZZ	J AD	Switch,Key Type [POWER]				
SW707	QSW-K0003AWZZ	J AD	Switch,Key Type [F-PLAY]				
SW708	QSW-K0003AWZZ	J AD	Switch,Key Type [REVERSE MODE]				
SW709	QSW-K0003AWZZ	J AD	Switch,Key Type [EDIT]				
SW710	QSW-K0003AWZZ	J AD	Switch,Key Type [HIGH]				
SW711	QSW-K0003AWZZ	J AD	Switch,Key Type [REC PAUSE]				
SW712	QSW-K0003AWZZ	J AD	Switch,Key Type [X-BASS]				
SW713	QSW-K0003AWZZ	J AD	Switch,Key Type [EQ/DEMO]				
SW714	QSW-K0003AWZZ	J AD	Switch,Key Type [STOP]				
SW715	QSW-K0003AWZZ	J AD	Switch,Key Type [TUNING UP/CUE]				
SW716	QSW-K0003AWZZ	J AD	Switch,Key Type [PASS]				
SW717	QSW-K0003AWZZ	J AD	Switch,Key Type [MONO]				
SW718	QSW-K0003AWZZ	J AD	Switch,Key Type [STEREO]				
SW719	QSW-K0003AWZZ	J AD	Switch,Key Type [VOLUME-UP]				
SW720	QSW-K0003AWZZ	J AD	Switch,Key Type [VOLUME-DOWN]				
SW721	QSW-K0003AWZZ	J AD	Switch,Key Type [TUNING DOWN/REV]				
SW722	QSW-K0003AWZZ	J AD	Switch,Key Type [CD PAUSE]				
SW723	QSW-K0003AWZZ	J AD	Switch,Key Type [R-PLAY]				
SW724	QSW-K0003AWZZ	J AD	Switch,Key Type [DOLBY NR]				
SW725	QSW-K0003AWZZ	J AD	Switch,Key Type [KARAOKE] [CD-K1600Z Only]				
SW726	QSW-K0003AWZZ	J AD	Switch,Key Type [CD]				
SW727	QSW-K0003AWZZ	J AD	Switch,Key Type [TUNER]				
				1	LANGF0021AWFW	J AD	Bracket,Motor
				2	LANGF145CAFFW	J AB	Bracket,Lock Lever
				3	LBSHZ0107AF00	J AA	Bushing,Cord [Head]
				4	LCHSM0856AF00	J AP	Main Chassis Ass'y
				5	92LM-CHS1676B	J AM	Reel Base Ass'y
				7	LDAIH0112AFZZ	J AD	Head Base
				8	LHLDS1077AFZZ	J AD	Holder,Metal Ass'y [FWD]
				9	LHLDS1078AFZZ	J AC	Holder,Metal Ass'y [REV]
				10	LHLDW1075AFZZ	J AA	Nylon Band,60mm
				11	LPLTM0004AWZZ	J AD	Head Plate
				12	LPLTM0280AFZZ	J AE	Head Attachment Plate Ass'y
				15	MCAMP0121AFZZ	J AC	Cam,Drive
				16	MLEVF2448AFZZ	J AC	Lever,Over Stroke Ass'y
				17	MLEVF2449AFZZ	J AC	Pinch Roller Press Lever Ass'y
				18	MLEVF2453AFFW	J AA	Lever,Lock Prevention
				19	MLEVP0977AFZZ	J AA	Lever,Brake
				20	MLEVP0978AFZZ	J AA	Cam,Trigger
				21	MLEVP0979AFZZ	J AA	Lever,Eject Prevention
				22	MLEVP0982AF00	J AA	Lever,Lock
				23	MLEVP0987AFZZ	J AC	Playback Idler Lever Ass'y
				24	MLEVP0039AWM1	J AG	F/R Idler Lever Ass'y
				25	92LM-CSPR1676C	J AA	Spring,Solenoid
				26	MSPRC0916AFFJ	J AA	Spring,Back Tension
				27	MSPRD1217AFFJ	J AA	Spring,Over Stroke
				28	MSPRD1218AFFJ	J AA	Spring,Brake
				29	MSPRD1219AFFJ	J AA	Spring,Cam Trigger
				30	MSPRD1220AFFJ	J AA	Spring,Head Selector
				31	92LM-TSPR1676E	J AA	Spring,Pinch Roller Press [FWD]
				32	92LM-TSPR1676F	J AA	Spring,Pinch Roller Press [REV]
				33	MSPRD1223AFFJ	J AA	Spring,Pinch Roller Return [FWD]
				34	MSPRD1224AFFJ	J AA	Spring,Pinch Roller Return [REV]
				35	MSPRD1225AFFJ	J AA	Spring,Pinch Roller Press Lever
				36	MSPRD1226AFFJ	J AA	Spring,Playback Idler Press
				37	MSPRD1227AFFJ	J AA	Spring,F/R Idler
				38	MSPRD1290AFFJ	J AA	Spring,Lock Lever
				39	92LMCFSPR719A	J AB	Plate Spring,Cassette Press
				41	MSPRT1520AFFJ	J AA	Spring,GND
				42	NBLTK0018AWZZ	J AE	Belt,Tape 1 Drive
				43	NBLTH0005AWZZ	J AC	Belt,Tape 2 Drive
				44	NBLTK0514AFZZ	J AA	Belt,Rewind/Fast Forward
				45	NDAIR0335AF00	J AB	Reel Base
				46	NDAIR0336AF00	J AA	Reel Base Cap
				47	NFLYC0004AWM1	J AM	Flywheel Ass'y,Tape 1 [FWD]
				48	NGERH0482AFZZ	J AF	Limit Gear Ass'y
				49	NGERH0485AFZZ	J AA	Gear,Head
				50	NGERH0486AFZZ	J AA	Gear,Head Selector
				51	NGERH0487AFZZ	J AB	Gear,Playback
				52	NGERH0488AFZZ	J AA	Gear,F/R
				53	NGERH0489AFZZ	J AA	Gear,Sensor Ass'y
				55	MLEVP0040AWM1	J AH	Pinch Roller Ass'y [FWD]
				56	MLEVP0041AWM1	J AH	Pinch Roller Ass'y [REV]
				57	RHEDF0002AWZZ	J AM	Head,Playback

DECK MECHANISM PARTS

CD-C1600Z/CD-K1600Z

NO.	PART CODE	★ PRICE RANK	DESCRIPTION	NO.	PARTS CODE	★ PRICE RANK	DESCRIPTION
58	RHEDK0084AFZZ	J AQ	Head,Record/Playback/Erase	228	JKNBZ0326AWSA	J AC	Knob,Edit
59	NFLYC0011AWM1	J AK	Flywheel Ass'y [REV]	229	JKNBZ0327AWSA	J AB	Knob,Karaoke [CD-K1600Z Only]
60	MSPRD1282AFFJ	J AB	Spring,FF/REW Gear	230	JKNBK0043AWSA	J AE	Knob,Volume
61	MSPRD1283AFFJ	J AD	Spring,Sensor Gear	231	MSPRD0089AWFJ	J AB	Spring,Cassette,Tape 1
62	LDAIH0001AWZZ	J AD	Head Base	232	MSPRD0090AWFJ	J AB	Spring,Cassette,Tape 2
63	NFLYC0010AWM1	J AK	Flywheel Ass'y,Tape 2 [FWD]	233	MSPRD0049AWFJ	J AB	Spring,Volume Knob
65	NBLTK0023AWZZ	J AB	Belt,Tape 2 FF/REW	234	MLIFP0003AWZZ	J AE	Damper
101	92LS2S1676A	J AA	Screw,ø2×6mm	235	JKNBK0012AWSA	J AC	Knob,Mic Volume [CD-K1600Z Only]
106	92L1R4S+5R5PZ	J AA	Screw,ø1.4×5.5mm	236	LANGK0062AWFW	J AD	Bracket,Panel Support
107	92LS2R6S1746A	J AA	Screw,ø2.6×2.5mm	237	JNBK0044AWSA	J AD	Knob,Job
108	XHBSD20P04000	J AA	Screw,ø2×4mm	238	PSHEP0014AW00	J AB	Sheet,Disc Number Knob
109	92L2TTS+5PZ	J AA	Screw,ø2×5mm	239	LCHSM0041AWFW	J AN	Main Chassis
111	92L2TTS+16PZ	J AA	Screw,ø2×16mm	△240	QACCA0001AW00	J AM	AC Power Supply Cord [For Saudi Arabia]
113	LX-BZ0004AWFD	J AC	Screw,Lock Lever	△240	QACCB0005AW00	J AQ	AC Power Supply Cord [CD-K1600Z for Hong Kong]
503	92L1R5WC3R8R5P	J AA	Washer,ø1.5×ø3.8×0.5mm	△240	QACCE0003AW00	J AG	AC Power Supply Cord [For Saudi Arabia/CD-C1600Z except for Australia/New Zealand/Taiwan/CD-K1600Z except for Hong Kong]
504	92L1R2WC4-R25P	J AA	Washer,ø1.2×ø4×0.25mm	241	92LCORDA1387C	J AP	AC Power Supply Cord [CD-C1600Z for Australia/New Zealand]
505	92L1R6WC3R4R5P	J AA	Washer,ø1.6×ø3.4×0.5mm	242	92LCORDT1699A	J AL	AC Power Supply Cord [CD-C1600Z for Taiwan]
506	92L1R8WC4-R5P	J AA	Washer,ø1.8×ø4×0.5mm	243	LBSHC0002AWZZ	J AD	Bushing,AC Power Supply Cord
513	92L2R3W4R4R25P	J AA	Washer,ø2.3×ø4.4×0.5mm	244	LANGK0060AWFW	J AD	Bracket,PWB [A]
M1F	92LM-MTR1746A	J AA	Motor with Pulley [Tape]	245	LANGK0061AWFW	J AD	Bracket,PWB [B]
SOL1,2	RPLU-0250AFZZ	J AG	Solenoid	246	LANGK0059AWFW	J AD	Bracket,Fan
SWE1	QSW-F9064AFZZ	J AC	Switch,Leaf Type [Tape 2 Side A FP]	247	GITAR0162AWSA	J AM	Back Board [CD-K1600Z]
SWE2	QSW-F9065AFZZ	J AC	Switch,Leaf Type [Tape 2 Play]	248	GITAR0163AWSA	J AM	Back Board [CD-K1600Z]
SWE3	QSW-F9064AFZZ	J AC	Switch,Leaf Type [Tape 2 Side B FP]	248-A	92LN-BAND1318A	J AA	Nylon Band,80mm
SWE4	QSW-F9064AFZZ	J AC	Switch,Leaf Type [Tape 2 CrO ₂ Detection]	248-B	PCOVQ1002AWZZ	J J	Cover,Heat Shield
SWE7	QSW-F9064AFZZ	J AC	Switch,Leaf Type [Tape 1 CrO ₂ Detection]	249	92LFAN1810A	J AD	Rotary Fan
SWE9	QSW-F9065AFZZ	J AC	Switch,Leaf Type [Tape 1 Play]	250	92LCSPR1431C	J AA	Ring Spring
CD MECHANISM PARTS				251	XBBS20P04000	J	Screw,ø2×4mm
301	NGERH0011AWZZ	J AC	Gear,Middle	252	LANGJ0005AWFW	J AC	Bracket,SRS PWB
302	NGERH0012AWZZ	J AC	Gear,Drive	253	PSHEP0013AWZZ	J AH	Sheet,Back
303	MLEVP0010AWZZ	J AC	Rail,Guide	254	LANGA0001AWFW	J AB	Bracket,Screw
304	NSFTM0002AWFW	J AE	Shaft,Guide	255	92LCAUT1706B	J AA	Label,Laser
305	92LM-CUSN1524A	J AC	Cushion	256	PRDAR0066AW00	J AU	Heat Sink
△306	92LHPC1MASY	J BG	Pickup Unit Ass'y	257	LANGK0057AWFW	J AE	Bracket,Heat Sink A
306-1	—	—	Pickup Unit (Not Replacement Item)	258	LANGK0058AWFW	J AE	Bracket,Heat Sink B
306-2	NGERR0043AFZZ	J AC	Gear,Rack	259	LANGK0063AWFW	J AE	Bracket,Heat Shield Cover
306-3	MSPRC0961AFZZ	J AA	Spring,Rack	260	PRDAR0068AWFW	J AG	Heat Sink
701	92L2R6S+6CZ	J AB	Screw,ø2.6×6mm	261	PRDAR0065AWFW	J AD	Heat Sink
702	92L2TTS+5BB	J AB	Screw,ø2×5mm	262	GCOVA1125AWSA	J AG	CD Tray Cover
703	92L2S+3PZ	J AA	Screw,ø2×3mm	263	GITAS0029AWSA	J AN	Side Panel,Left
704	92L1R5WC3R8R25	J AA	Washer,ø1.5×ø3.8×0.25mm	264	GITAS0030AWSA	J AN	Side Panel,Right
M1	92LMTR1858CASY	J AS	Motor with Chassis [Disc]	265	GCAB-1041AWSA	J AX	Top Cabinet
M2	92LMTR1854BASY	J AP	Motor with Gear [Slide]	△266	92LCAUT1706A1	J AC	Label,Class 3
SW4	QSW-F9001AWZZ	J AE	Switch,Leaf Type [Pickup In]	267	QFSDH0001AWZZ	J AB	Holder,Fuse
CABINET PARTS				268	92LLUG1746A	J AA	Terminal,Lag
201	HPNLC1097AWSA	J AS	Front Panel [CD-K1600Z]	269	LHLDZ1133AWZZ	J AD	Holder,FL
201	HPNLC1103AWSA	J AS	Front Panel [CD-C1600Z]	270	LHLDZ1105AWZZ	J AD	Holder,LED
202	PCUSG0022AWZZ	J AB	Cushion,Leg	271	LHLDZ1134AWZZ	J AB	Holder,LED
203	LHLDX1011AW00	J AE	Cassette Holder,Tape 1	271	LHLDZ1135AWZZ	J AB	Holder,LED
204	LHLDX1012AW00	J AE	Cassette Holder,Tape 2	271	TSPC-0409AWZZ	J	Label,Specification [CD-C1600Z for Taiwan]
205	GCOVA1123AWSA	J AF	Cover,Cassette,Tape 1	272	TSPC-0410AWZZ	J AD	Label,Specification [CD-C1600Z for Thailand]
206	GCOVA1124AWSA	J AG	Cover,Cassette,Tape 2	272	92LLABL1204C	J AA	Label,Made in Malaysia [CD-C1600Z for Australia/New Zealand]
207	HDECQ0167AWSA	J AL	Panel,FL	272	92LPANEL713A	J AB	Label,Made in Malaysia [CD-C1600Z except for Australia/New Zealand]
208	92LBDAGE1692A	J AC	Badge,SHARP	273	TCAUS0014AWZZ	J AC	Label,Caution [CD-C1600Z for Taiwan]
209	HDECQ0166AWSA	J AG	CD Top Panel	274	LHLDZ1044AWZZ	J AF	Support,Stabilizer
210	JKNBZ0220AWSA	J AK	Button,Disc Number	275	92LHOLD2037AS1	J AK	Stabilizer Ass'y
211	JKNBZ0309AWSA	J AC	Knob,Timer A	276	NTNT-0006AWSA	J AQ	Turtable
212	JKNBZ0310AWSA	J AC	Knob,Timer B	277	LHLDZ1081AWZZ	J AD	Support,Turtable
213	JKNBZ0311AWSA	J AC	Knob,SRS A	278	NROLP0004AWZZ	J AC	Roller,Turtable
214	JKNBZ0312AWSA	J AC	Knob,SRS B	279	LCHSZ0005AWZZ	J AT	Loading,Chassis
215	JKNBZ0313AWSA	J AD	Base,Function Knob	280	LHLDZ1064AWZZ	J AC	Wire,Holder
216	JKNBZ0314AWSA	J AD	Knob,Function A	281	LHLDZ1045AWZZ	J AC	Guide A
217	JKNBZ0315AWSA	J AD	Knob,Function B	282	LHLDZ1046AWZZ	J AC	Guide B
218	JKNBZ0316AWSA	J AD	Knob,Function C	283	GCAB-1027AWSA	J AR	CD Player Base
219	JKNBZ0317AWSA	J AD	Knob,Function D				
220	JKNBZ0318AWSA	J AD	Base,Operation Knob				
221	JKNBZ0340AWSA	J AD	Knob,Operation A				
222	JKNBZ0341AWSA	J AD	Knob,Operation B				
223	JKNBZ0342AWSA	J AC	Knob,Operation C				
224	JKNBZ0343AWSA	J AC	Knob,Operation D				
225	JKNBZ0344AWSA	J AD	Knob,Operation E				
226	JKNBZ0345AWSA	J AD	Knob,Operation F				
227	JKNBZ0325AWSA	J AB	Knob,Dolby				

NO.	PART CODE	★ PRICE RANK	DESCRIPTION
284	NGERH0037AWZZ	J AF	Gear,Turntable
285	LHLDZ1050AWZZ	J AB	Support,Pinch
286	NGERH0036AWZZ	J AF	Gear,Cam
287	MLEVP0031AWZZ	J AE	Lever,Shift
288	NGERW0005AWZZ	J AF	Gear,Worm Wheel
289	LCHSZ0006AWZZ	J AL	Chassis,CD Mechanism
290	MLEVP0032AWZZ	J AE	Lever Lock
291	MSPRD0044AWFJ	J AB	Spring,Lock Lever
292	NBLTK0014AWZZ	J AC	Belt,Drive
293	NGERH0042AWZZ	J AG	Gear,Pulley
294	NGERH0040AWZZ	J AE	Gear,Loading
601	XEBSD30P10000	J AA	Screw,ø3×10mm
602	XJBSD30P10000	J AA	Screw,ø3×10mm
603	XJSSD30P10000	J AA	Screw,ø3×10mm
604	LX-JZ0022AFFD	J AA	Screw,ø3×8mm [CD-K1600Z Only]
605	LX-HZ0082AFZZ	J AA	Screw,ø4×8mm
606	XJBSF30P10000	J AA	Screw,ø3×10mm
607	LX-JZ0010AFFD	J AA	Screw,ø3×10mm
608	LX-JZ0022AFFD	J AA	Screw,ø3×8mm
609	XHBSD30P06000	J AA	Screw,ø3×6mm
610	XJBSD30P14000	J AA	Screw,ø3×14mm
611	LX-LZ0002AW00	J AC	Snap Rivet
612	LX-JZ0009AFFF	J AA	Screw,ø3×10mm
613	XJBSF30P12000	J AA	Screw,ø3×12mm
614	XJSSF30P10000	J AA	Screw,ø3×10mm
615	LX-TZ0019AFZZ	J AB	Screw,Special
616	XEBSD26P12000	J AA	Screw,ø2.6×12mm
617	XBPSD26P05JSO	J AB	Screw,ø2.6×5mm
618	LX-EZ0005AWFD	J AA	Screw,Special
619	LX-EZ0010AWFD	J AA	Screw,Special
620	XEBSD20P08000	J AA	Screw,ø2×8mm
621	XEBSF30P12000	J AA	Screw,ø3×12mm

ACCESSORIES/PACKING PARTS

SPAKA0122AWZZ	J AR	Packing Add.,Left/Right
SPAKC0451AWZZ	J AW	Packing Case [CD-K1600Z]
SPAKC0452AWZZ	J AW	Packing Case [CD-C1600Z except for Australia]
SPAKC0453AWZZ	J AZ	Packing Case [CD-C1600Z for Australia]
SPAKP0032AWZZ	J AF	Polyethylene Bag,Unit
TCUAU0012AWZZ	J AB	Caution,Operation Manual [CD-C1600Z for Taiwan Only]
TINST0018AWZZ	J AG	Operation Manual [CD-C1600Z for Thailand]
TINSZ0181AWZZ	J	Operation Manual [CD-K1600Z]
TINSZ0182AWZZ	J AN	Operation Manual [CD-C1600Z except for Thailand]
TLABZ0355AWZZ	J AC	Label,Feature [CD-K1600Z]
TLABZ0356AWZZ	J AC	Label,Feature [CD-C1600Z except for Australia/New Zealand]
TLABZ0357AWZZ	J AC	Label,Feature [CD-C1600Z for Australia/New Zealand]
92LBAG1460C1	J AB	Polyethylene Bag,Accessories
92LBAG1770A	J AB	Polyethylene Bag,AC Power Supply Cord [CD-K1600Z for Hong Kong]
92LBAG760C	J AA	Polyethylene Bag,AC Plug Adaptor [CD-K1600Z for Saudi Arabia Only]
92LFANT1746A	J AD	FM Antenna
92LGCARD1266E1	J AC	Warranty Card [CD-C1600Z for Australia/New Zealand Only]
92LL-ANT1676A	J AK	AM Loop Antenna
92LPLUG027	J AD	AC Plug Adaptor [CD-K1600Z for Saudi Arabia]
92LPLUG155A	J AG	AC Plug Adaptor [CD-K1600Z except for Saudi Arabia]
RRMCG0067AWSA	J AX	Remote Control
92LLID1782A	J AQ	Battery Lid,Remote Control

NO.	PARTS CODE	★ PRICE RANK	DESCRIPTION
-----	------------	--------------	-------------

P.W.B. ASSEMBLY (Not Replacement Item)

CD-C1600Z			
PWB-A1,2	92LPWB2417MAN1	J	— Main/SRS (Combined Ass'y)
PWB-B1,2	92LPWB2417DPL1	J	— Display/Switch (Combined Ass'y)
PWB-C	92LPWB2417TUN1	J	— Tuner
PWB-D1-3	92LPWB2417PWR1	J	— Power Amp./Power Supply/ Headphone (Combined Ass'y)
PWB-E1,2	QPWBF0234AWZZ	J AF	Tape Mechanism (PWB Only)
PWB-F	QPWBF0027AWZZ	J AD	CD Motor (PWB Only)
PWB-G	QPWBF0275AWZZ	J AB	Sensor (PWB Only)

CD-K1600Z			
PWB-A1,2	92LPWB2401MAN1	J	— Main/SRS (Combined Ass'y)
PWB-B1,2	92LPWB2401DPL1	J	— Display/Switch (Combined Ass'y)
PWB-C	92LPWB2401TUN1	J	— Tuner
PWB-D1-3	92LPWB2401PWR1	J	— Power Amp./Power Supply/ Headphone (Combined Ass'y)
PWB-H	92LPWB2401KAR1	J	— Karaoke

SPEAKER BOX PARTS

701	92L200L0160020	J AY	Front Panel Ass'y,Left †
701	92L200R0160020	J AY	Front Panel Ass'y,Right
702	92L201L0160010	J AQ	Net Frame Ass'y,Left
702	92L201R0160010	J AQ	Net Frame Ass'y,Right
703	92L100L2160010	J BF	Speaker Box Ass'y,Left
703	92L100R2160010	J BF	Speaker Box Ass'y,Right
704	92L23056121000	J	Holder,Catcher
705	92L21000160000	J AM	Holder,Woofer
706	92L44010211700	J AD	Port Cushion
707	92L3121C160010	J	Speaker Cord
708	92L6000C160000	J	Label,Specification
709	92L411N84015AB	J AF	Screw,ø4×15mm
710	92L411P14050AB	J AE	Screw,ø4×50mm
711	92L411D130100P	J AD	Screw,ø3×10mm
712	92L411D130100P	J AD	Screw,ø3×10mm
713	92L411B840120P	J AD	Screw,ø4×12mm
714	92L21000160000	J AM	Screw,ø4×16mm
715	92L44210310100	J AD	Speaker Cushion
SP1,2	92L303R0300510	J	Super Tweeter Ass'y
SP3,4	92L300T2000100	J	Woofer
SP5,6	92L302T0800100	J	Tweeter

ACCESSORIES/PACKING PARTS

92L6100C160000	J	Label,Feature
92L70032000600	J	Polyethylene Bag,Speaker
92L71525001000	J	Sheet,Mirror Mat,Speaker
92L720FC160000	J AN	Packing Add.,Front (Top/Bottom)
92L720RC160000	J AN	Packing Add.,Back (Top/Bottom)
92L74231000900	J	Pad,Speaker

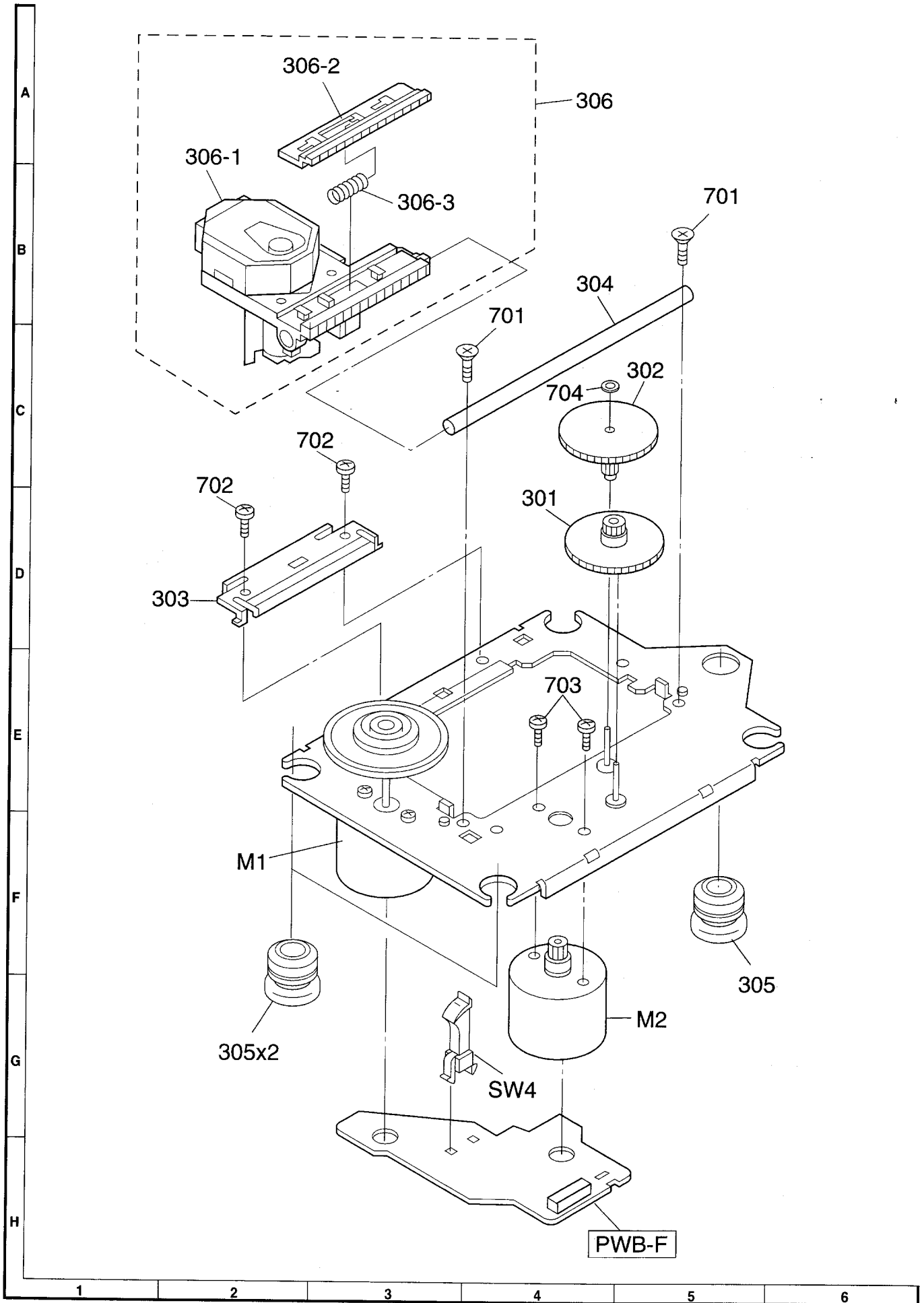


Figure 11 CD MECHANISM EXPLODED VIEW

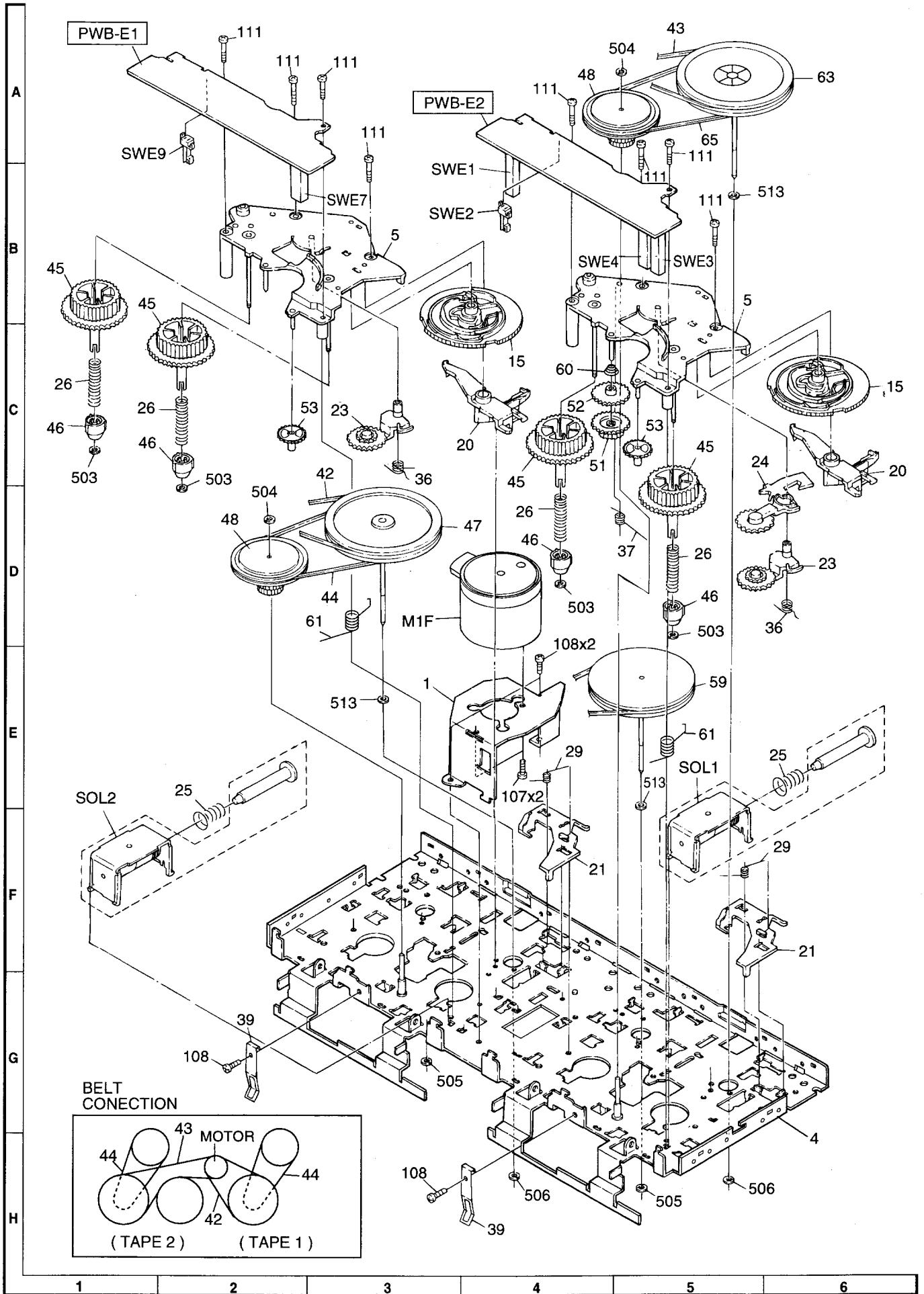


Figure 12 TAPE MECHANISM EXPLODED VIEW (1/2)

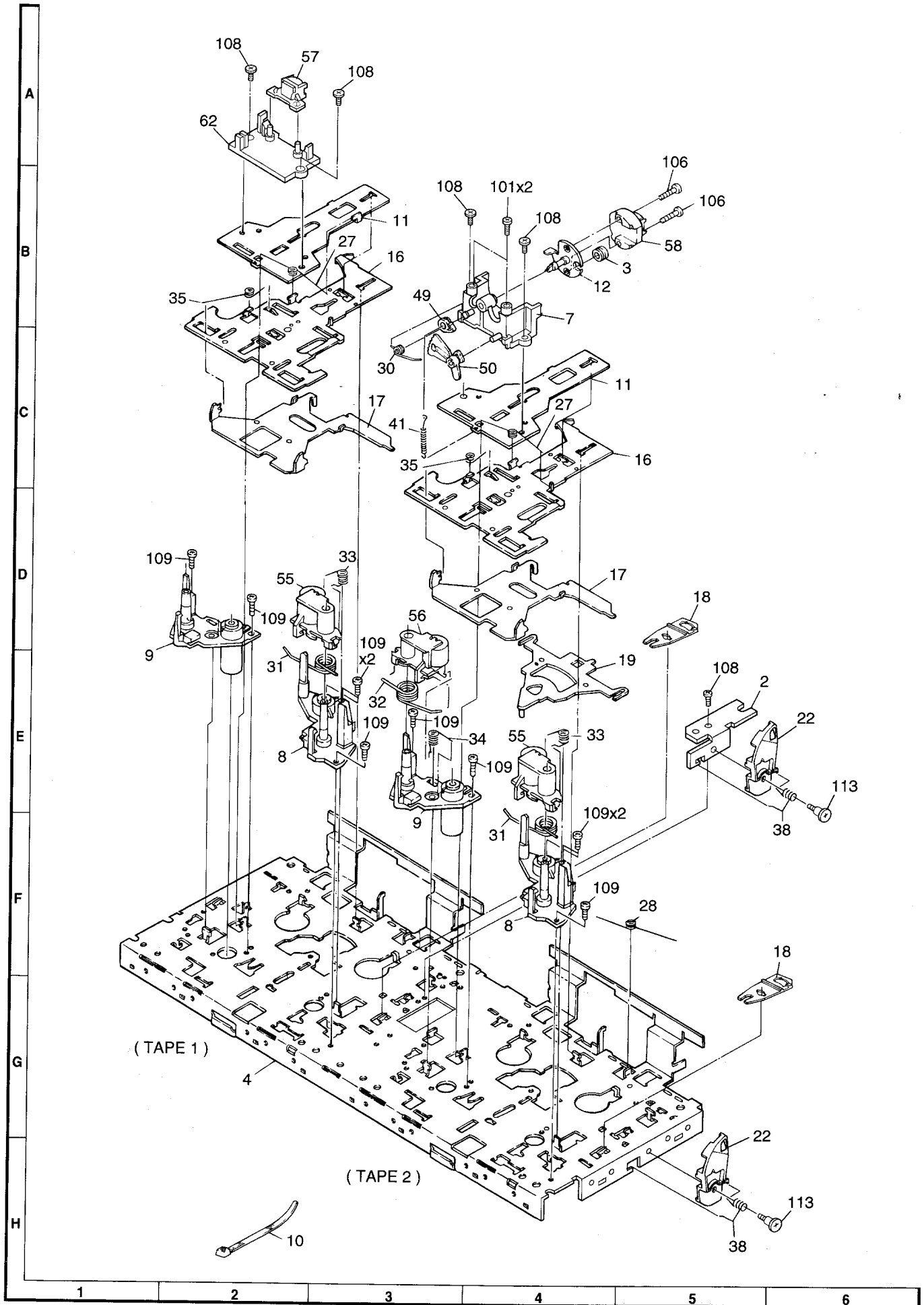


Figure 13 TAPE MECHANISM EXPLODED VIEW (2/2)

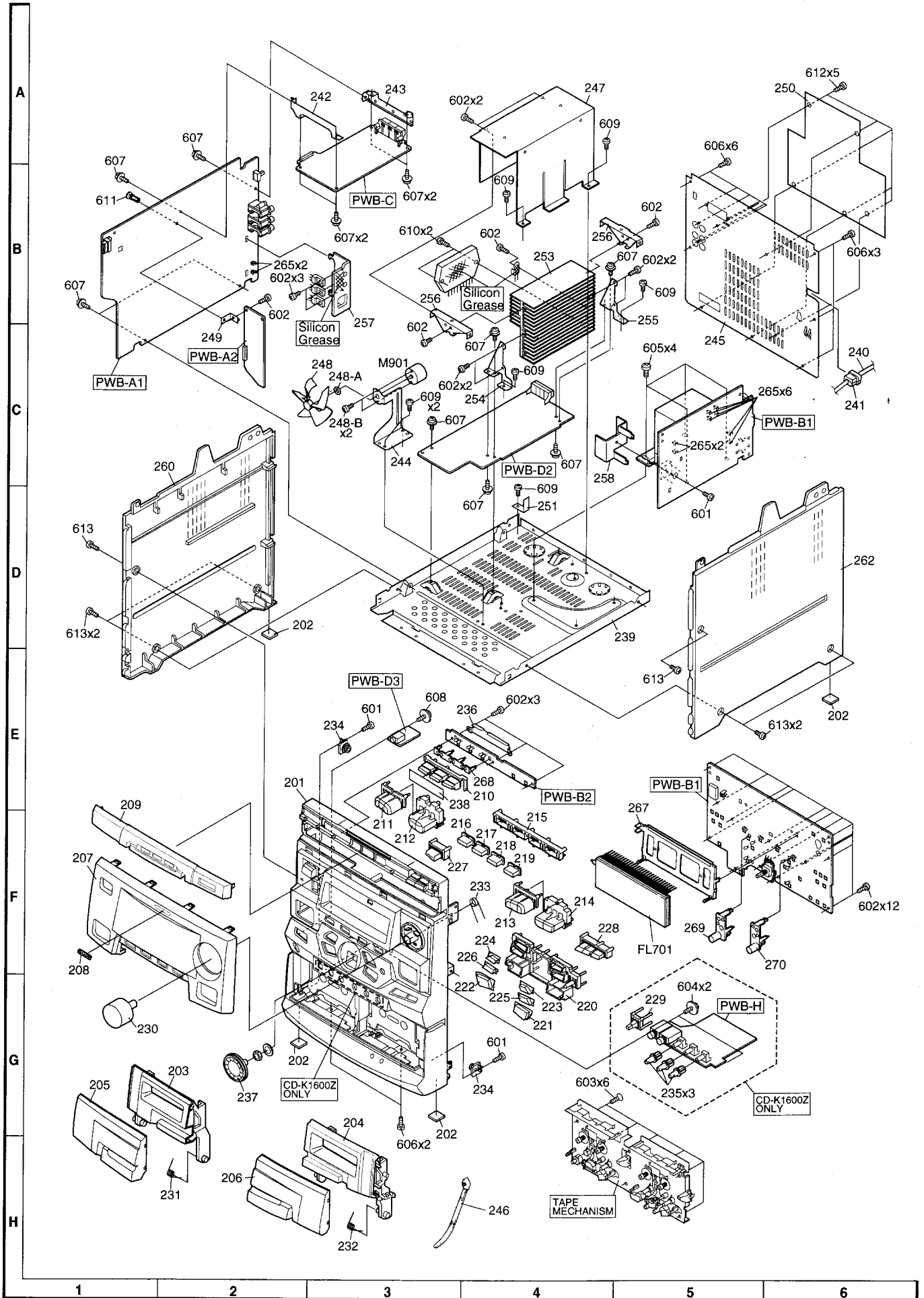


Figure 14 CABINET EXPLODED VIEW (1/2)

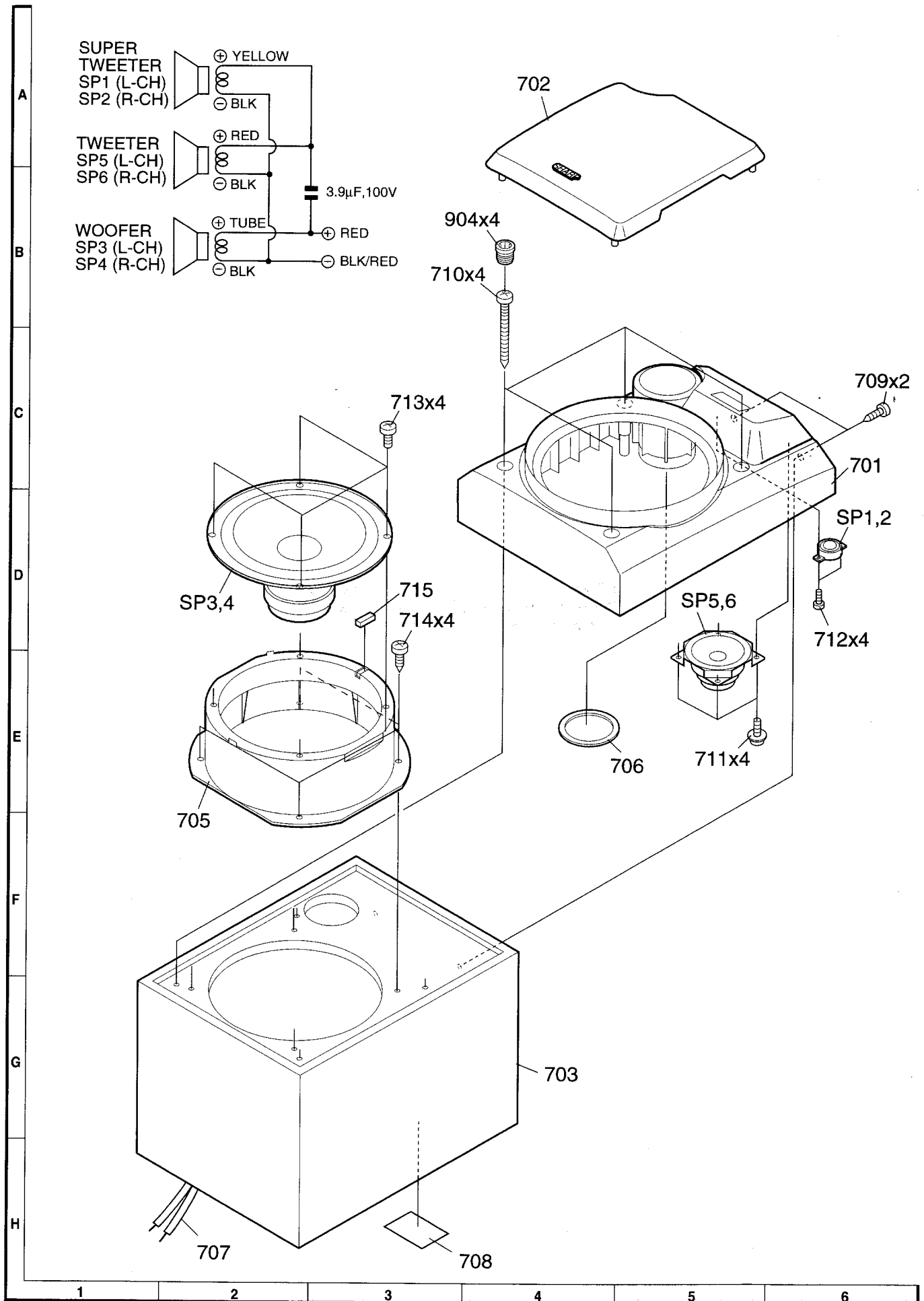


Figure 16 SPEAKER EXPLODED VIEW

SHARP