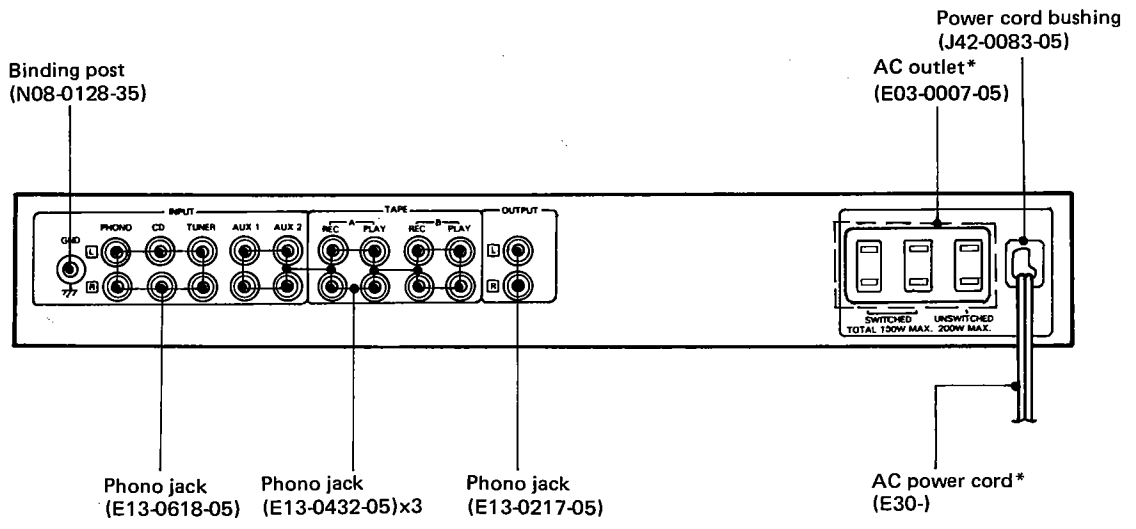
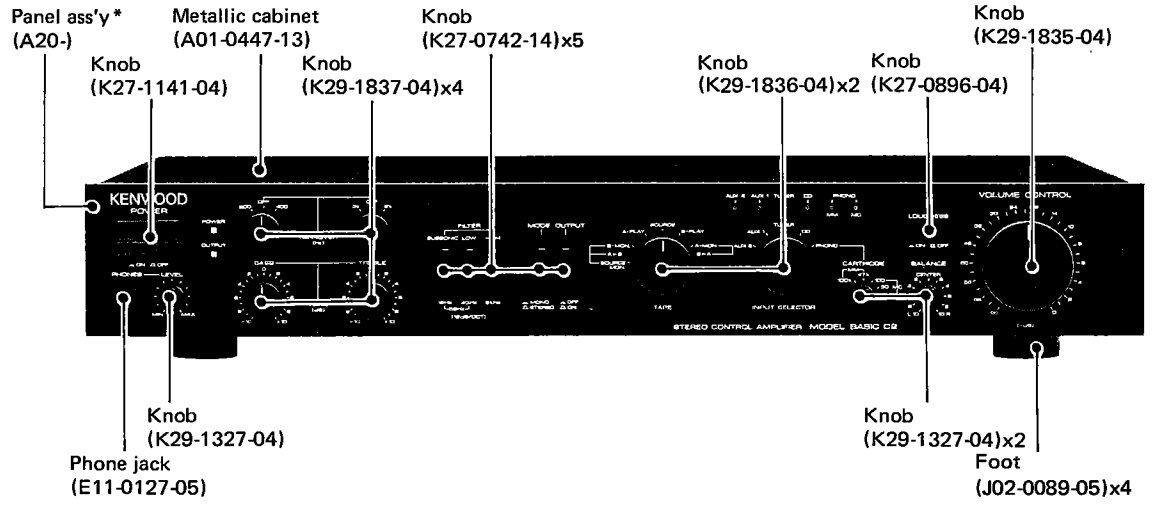


KENWOOD

BASIC G2

STEREO CONTROL AMPLIFIER

SERVICE MANUAL



* Refer to Parts list on page 6.

Caution : On EXPLODED VIEW, parts with the exploded numbers larger than 700 are not supplied.

DISASSEMBLY FOR REPAIR

DISASSEMBLY FOR REPAIR

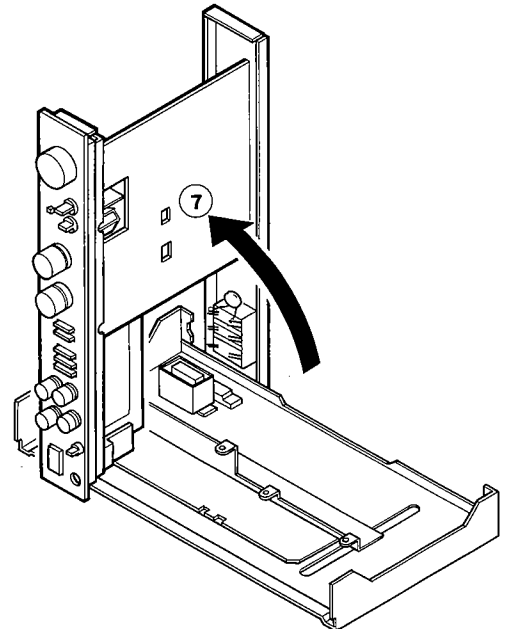
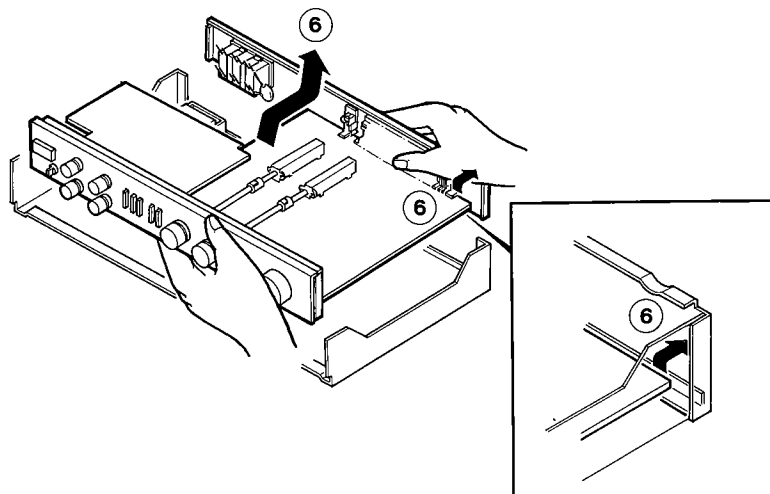
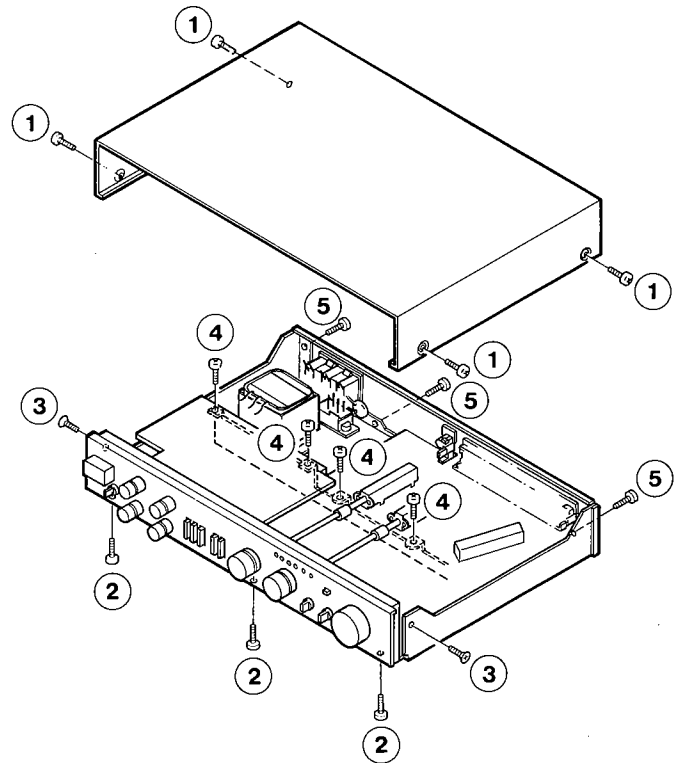
1. Remove the metallic cabinet (①).
2. Remove 3 screws retaining the panel ass'y from the bottom side (②). Remove 2 screws retaining the chassis and the sub panel (③).
3. Remove 4 screws retaining the pcb to the frame (④) and 3 screws at the rear panel (⑤).

Now the pcb can be freed from the chassis with the front panel ass'y and the rear panel attached to the pcb.

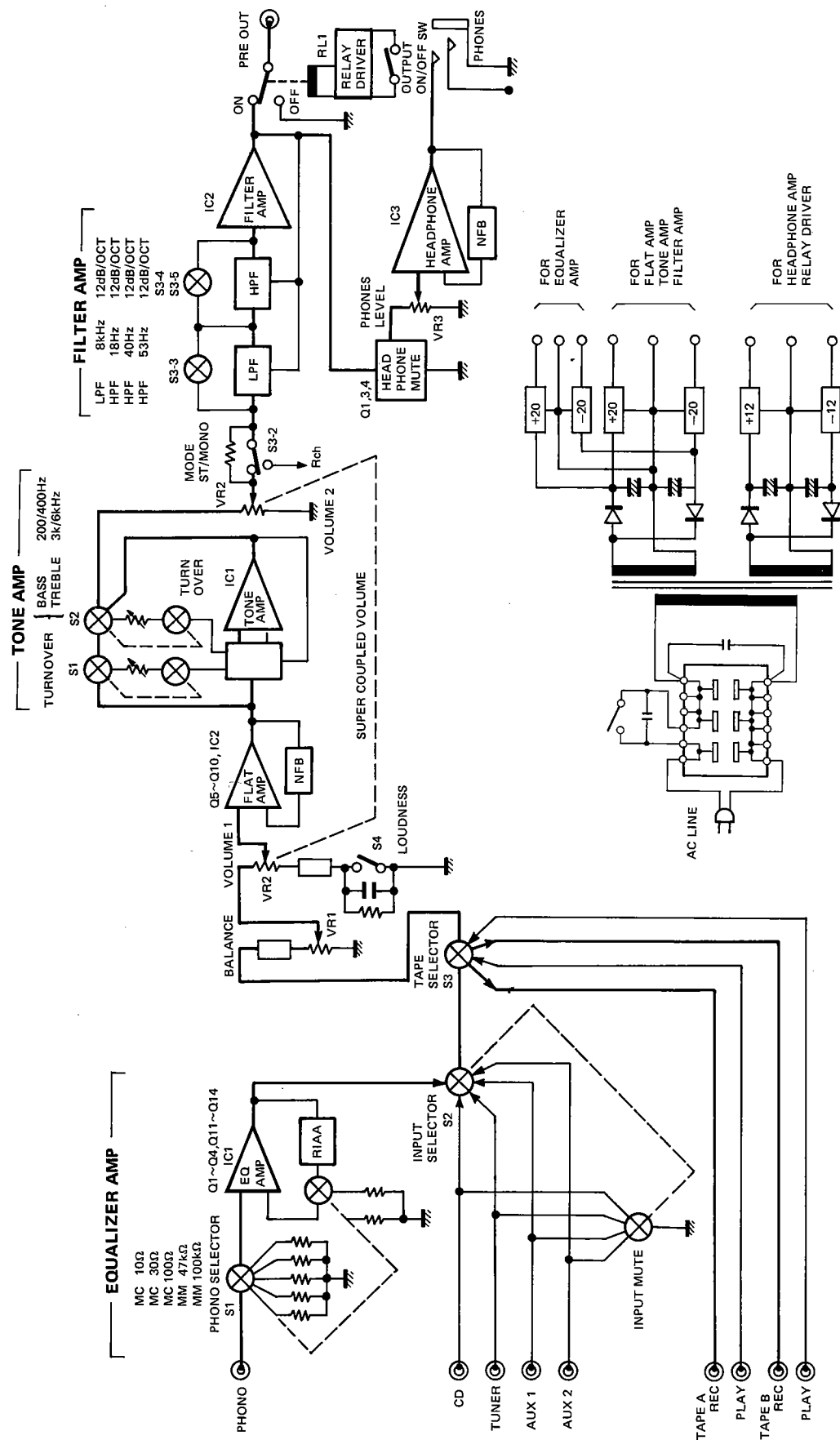
4. Lift the front panel ass'y side a little and gradually lift the pcb holding the front and the rear panel (⑥).

Note: Be careful not to let the pcb drop before the rim of the chassis when lifting the pcb up.

5. Stand the pcb as shown in the figure so that components can be replaced (⑦).



BLOCK DIAGRAM



CIRCUIT DESCRIPTION

AUDIO UNIT (X09-2090-10)

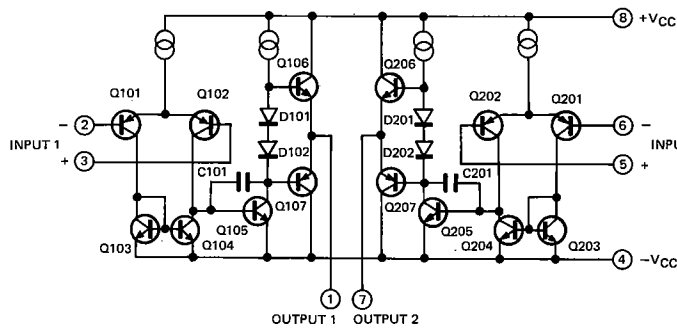
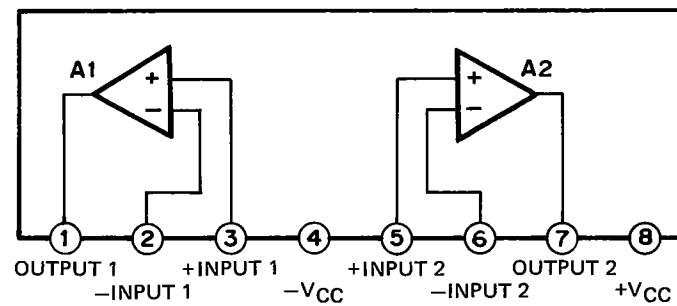
Semiconductor	Application and function	Operation, condition and interchangeability
Q1~Q4	EQ. 1st dif.	1st. differential amplifier
Q5, Q6	Flat amp 1st. dif.	1st. differential amplifier
Q7~Q10	Flat amp cathode	Cathode amplifier
Q11~Q14	EQ. cathode	Cathode amplifier
Q21~Q24	± Power supply	AVR for EQ. amplifier
Q25~Q28	± Power supply	AVR for Flat amplifier
Q29, Q30	± Power supply	AVR for Relay drive and LED
Q31~Q34	Relay drive circuit	Output muting
IC1	Amp.	EQ. amplifier
IC2	Amp.	Low noise flat amplifier

CONTROL UNIT (X11-2040-10)

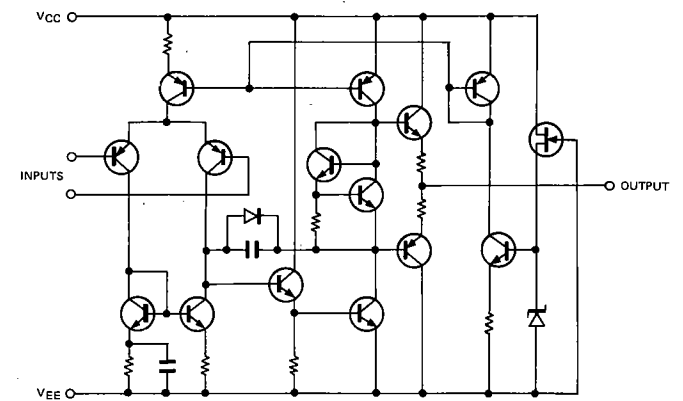
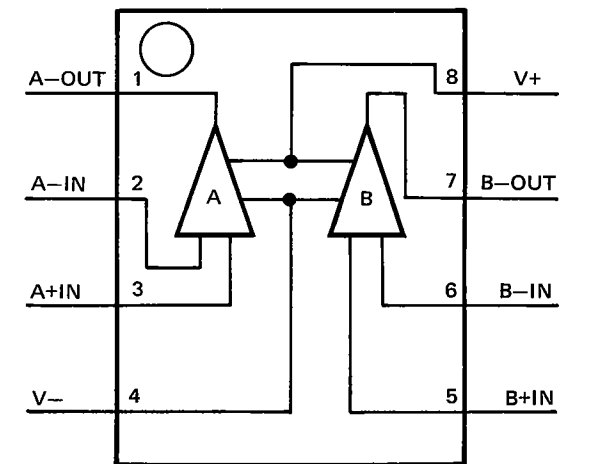
Name	Function	Description
IC1	Tone control	
IC2	Filter amp.	High cut, low cut and output buffer amp.
IC3	Headphone amp.	
Q1~Q3	Muting	Headphone muting

PIN CONNECTION AND DIAGRAM

M5218L (IC3)



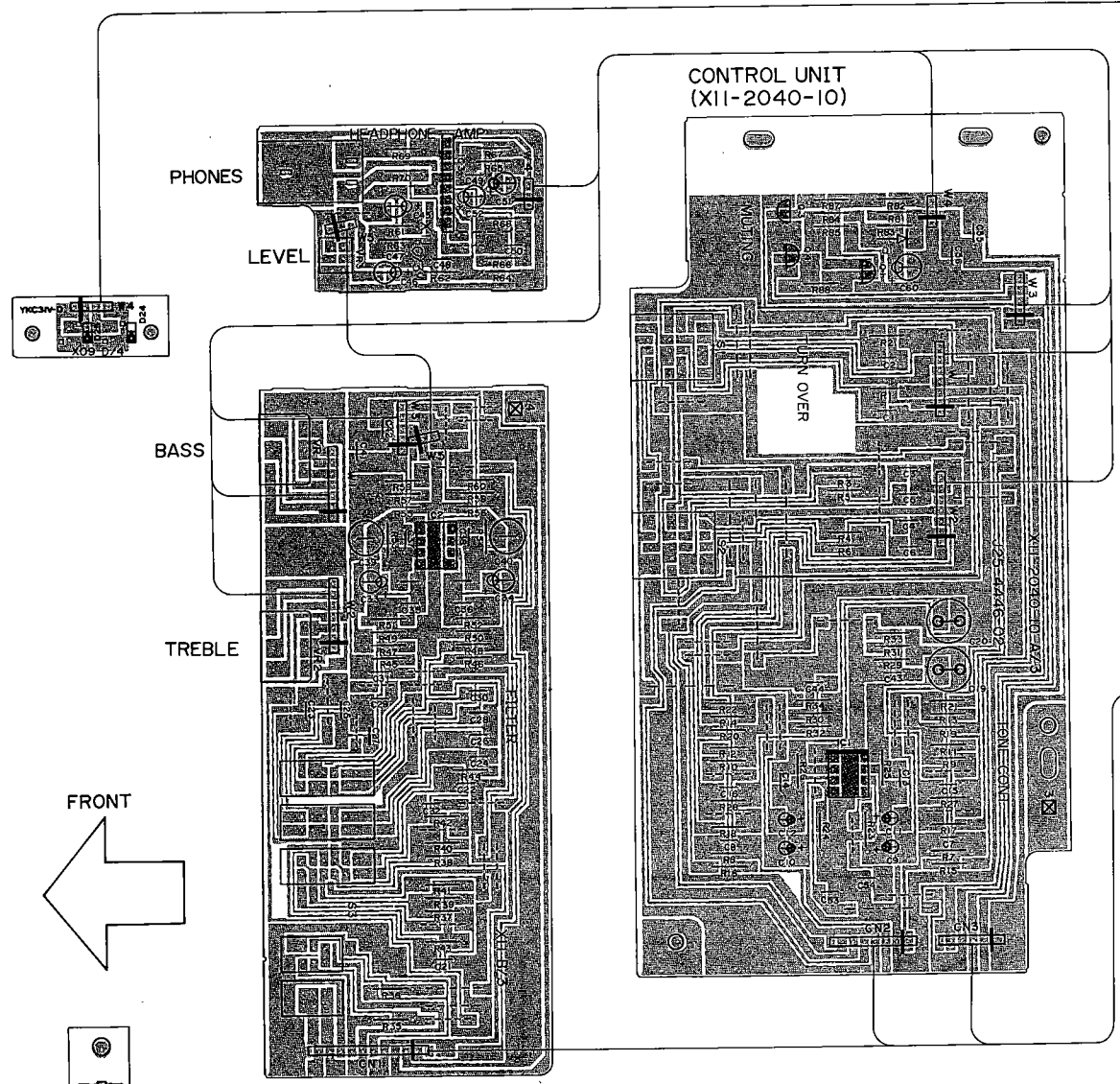
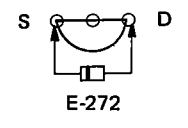
NJM4560D-N (IC1,2) NJM2041D-D (IC2)



BASIC C2 BASIC C2

PC BOARD

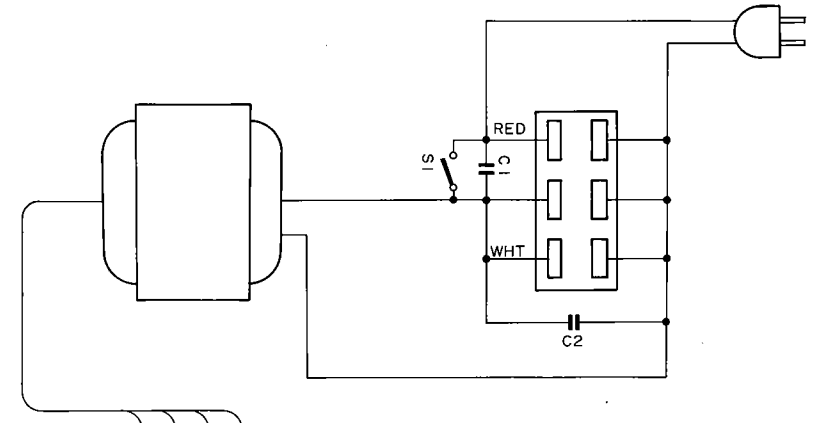
Caution : Some units employed diode E-272 instead of FET (Q23, 24, 27, 28) on X09-2090-10.
If you mount E-272, insert it as shown at right.



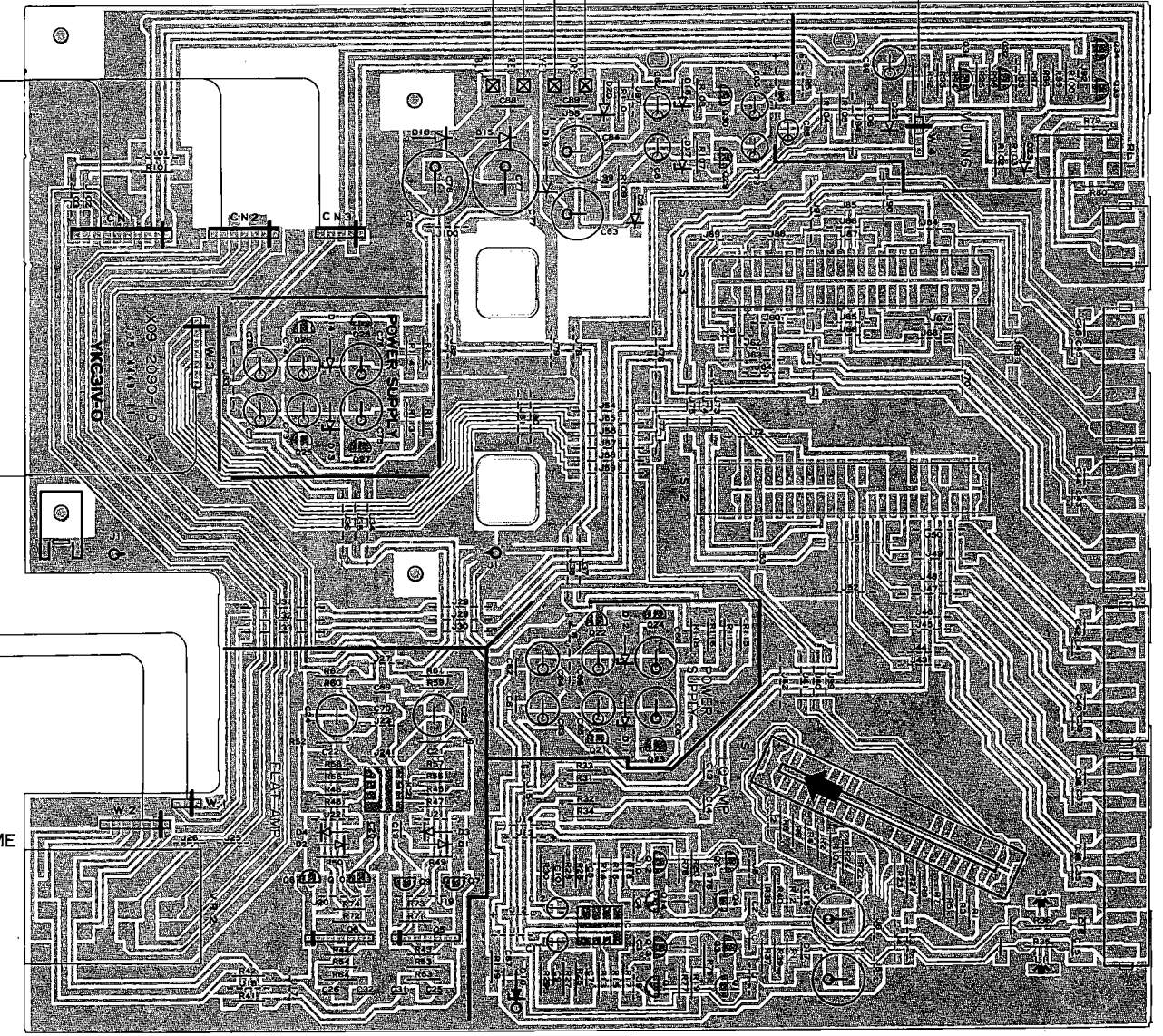
X11-2040-10

	IC1,2	IC3
1	0V	0V
2	0V	0V
3	0V	0V
4	-18.5V	-12.5V
5	0V	0V
6	0V	0V
7	0V	0V
8	18.5V	12.5V

Q 1		Q2,3	
E	-12.5V	D	0V
B	-11.9V	G	-12.5V
C	-12.4V	S	0V



AUDIO UNIT (X09-2090-10)



X09-2090-10

	IC1	IC2
1	0V	0V
2	7.7V	8V
3	7.7V	8V
4	-18.8V	-18.6V
5	7.7V	8V
6	7.7V	8V
7	0V	0V
8	18.6V	18.6V

Q1~4		Q5,6	
D	4.1V	4.8V	
G	0V	0V	
S	0.2V	0.7V	

Q22		Q25		Q26		Q29		Q30		Q31		Q32	
E	-18.8V	18.6V	-18.6V	12.2V	-12.5V	2V	2V						
B	-14.4V	19.2V	-19.2V	13V	-13V	2.7V	0.5V						
C	-28V	28V	-28V	15.5V	-17V	2.1V	9.7V						

Q23		Q24		Q27		Q28	
D	25V	-19.4V	25V	-19.2V			
G	19.4V	-25V	-19.2V	-25V			
S	19.4V	-25V	-19.2V	-25V			

Q33		Q34	
E	0.6V	0V	
B	1.3V	0.6V	
C	0.7V	0.7V	

Refer to the schematic diagram for the values of resistors and capacitors.
The PC board drawing is viewed from the side easy to check.



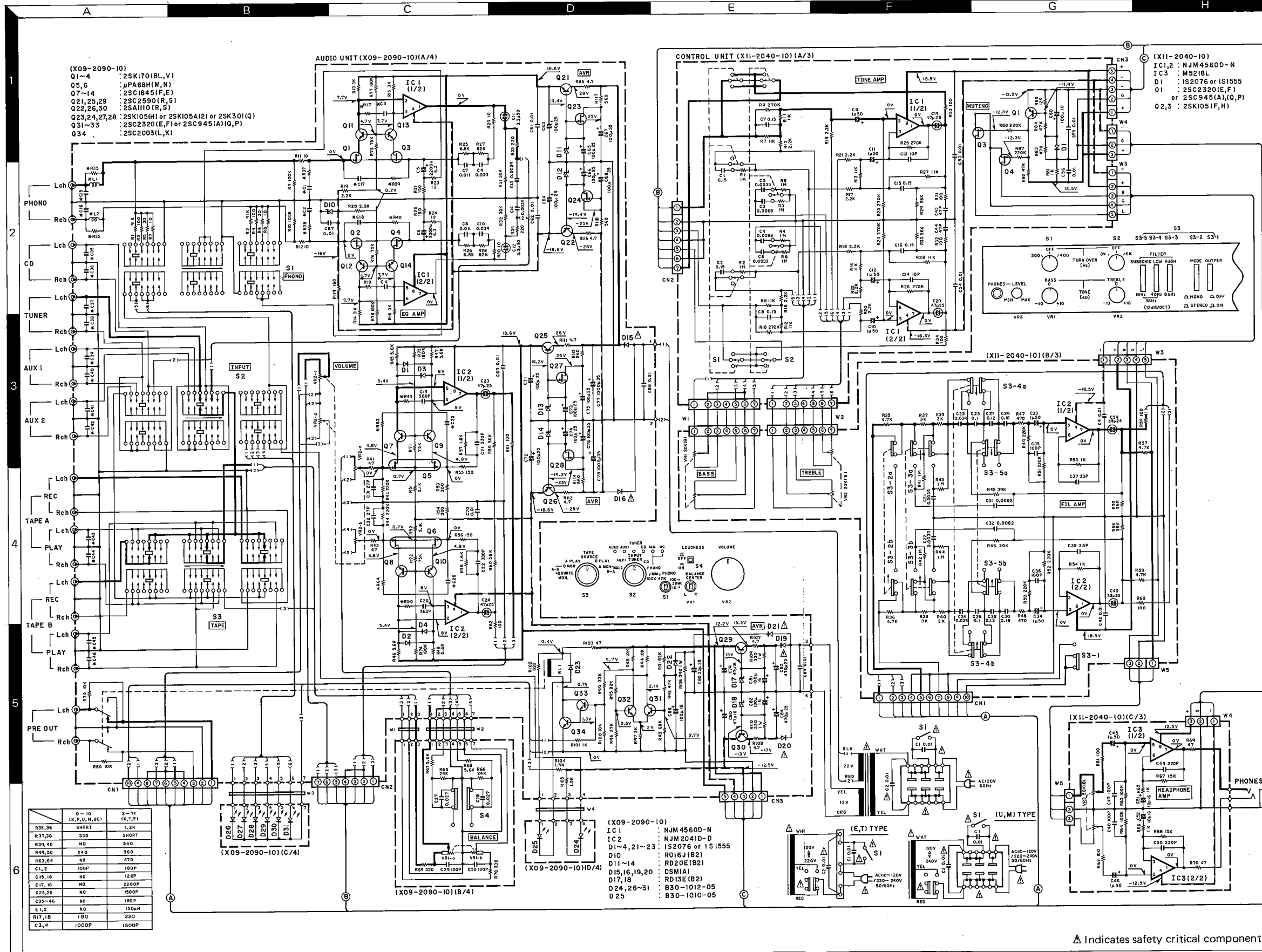
SPECIFICATIONS

- Performance**
- Input Sensitivity/Impedance/Signal-to-Noise Ratio (IHF A Curve)
- Phono MM 2.5 mV/30 k, 47 k, 100 k ohms/88 dB
 - Phono MC 200 μV/100 ohms, 200 ohms/70 dB
 - CD, AUX, TUNER, TAPE 150 mV/47 k ohms/110 dB
- Signal-to-Noise Ratio Unweighted at 50 mW (DIN)
- Phono MM & MC 73 dB
 - CD, AUX, TUNER, TAPE 79 dB
- Maximum Input Voltage for Phono MM 200 mV, T.H.D. 0.002%
- Maximum Input Voltage for Phono MC 15 mV, T.H.D. 0.002%
- Frequency Response**
- Phono MM & MC 20 Hz - 20 kHz ± 0.3 dB
 - CD, AUX, TUNER, TAPE 1 Hz - 350 kHz (-3 dB)
- Tone Control**
- BASS turnover: 400 Hz 100 Hz ± 10 dB
 - turnover: 200 Hz 50 Hz ± 10 dB
 - TREBLE turnover: 3 kHz 10 kHz ± 10 dB
 - turnover: 6 kHz 20 kHz ± 10 dB
- Filter**
- Subsonic 18 Hz, 12 dB/Octave
 - Low 40 Hz, 12 dB/Octave
 - Subsonic + Low 58 Hz, 12 dB/Octave
 - High 8 kHz, 12 dB/Octave
- Transient Response**
- Rise Time 1.0 μs
- Total Harmonic Distortion**
- CD, AUX, TUNER, TAPE 20 Hz - 20 kHz 0.001% at 1 V Output
 - Phono MM & MC 20 Hz - 20 kHz 0.002%
- Output Voltage & Impedance**
- TAPE REC. 150 mV, 220 ohms
 - PRE OUT 1,000 mV, 100 ohms
- Loudness Control**
- (at VOLUME -30 dB) 100 Hz, +6 dB
 - (at VOLUME -40 dB) 100 Hz, +9 dB
- General**
- Power Requirement 120 V 60 Hz (U.S.A. & Canada models)
220 V 50 Hz (European model) or
120 V/220 (240) V 50/60 Hz switchable
- Power Consumption 12 W
- AC Outlet 1 Unswitched, 2 Switched (Except European/Australian countries)
- Dimensions W 440 mm (17-5/16")
H 78 mm (3-1/16")
D 320 mm (12-19/32")
- Weight (Net) 4.5 kg (9.9 lb)

Kenwood follows a policy of continuous advancements in development. For this reason specifications may be changed without notice.

Kenwood poursuit une politique de progrès constants en ce qui concerne le développement. Pour cette raison, les spécifications sont sujettes à modifications sans préavis. Kenwood strebt ständige, Verbesserungen in der Entwicklung an. Daher bleiben Änderungen der technischen Daten jederzeit vorbehalten.

- DC voltages are as measured with a high impedance voltmeter with no signal input. Values may vary slightly due to variations between individual instruments or/and units.
- Les tensions c.c. doivent être mesurées avec un voltmètre à haute impédance sans signal d'entrée. Les valeurs peuvent différer légèrement du fait des variations inhérentes aux appareils et aux instruments de mesure individuels.
- Die angegebenen Gleichspannungswerte wurden mit einem hochohmigen Voltmeter ohne Eingangssignal gemessen. Dabei schwanken die Meßwerte aufgrund von Unterschieden zwischen einzelnen Instrumenten oder Geräten u.U. geringfügig.

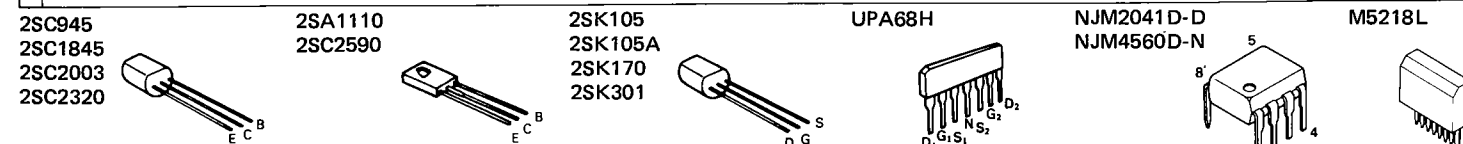


- (X09-2090-10)
- Q1~4 : 2SK170(BL,V)
 - Q5,6 : μPA68H(M,N)
 - Q7~14 : 2SC1845(F,E)
 - Q21,25,29 : 2SC2590(R,S)
 - Q22,26,30 : 2SA110(R,S)
 - Q23,24,27,28 : 2SK105H(I) or 2SK105A(I2) or 2SK30(I1)
 - Q31~33 : 2SC2320(E,F)
 - Q34 : 2SC2003(L,K)

- (X09-2090-10)
- IC1 : NJM4560D-N
 - IC2 : NJM2041D-D
 - D1~4, 21~23 : IS2076 or IS1555
 - D10 : RD16(B2)
 - D11~14 : RD20E(B2)
 - D15,16,19,20 : DSM1A1
 - D17,18 : RD13E(B2)
 - D24,26~31 : B30-1012-05
 - D25 : B30-1010-05

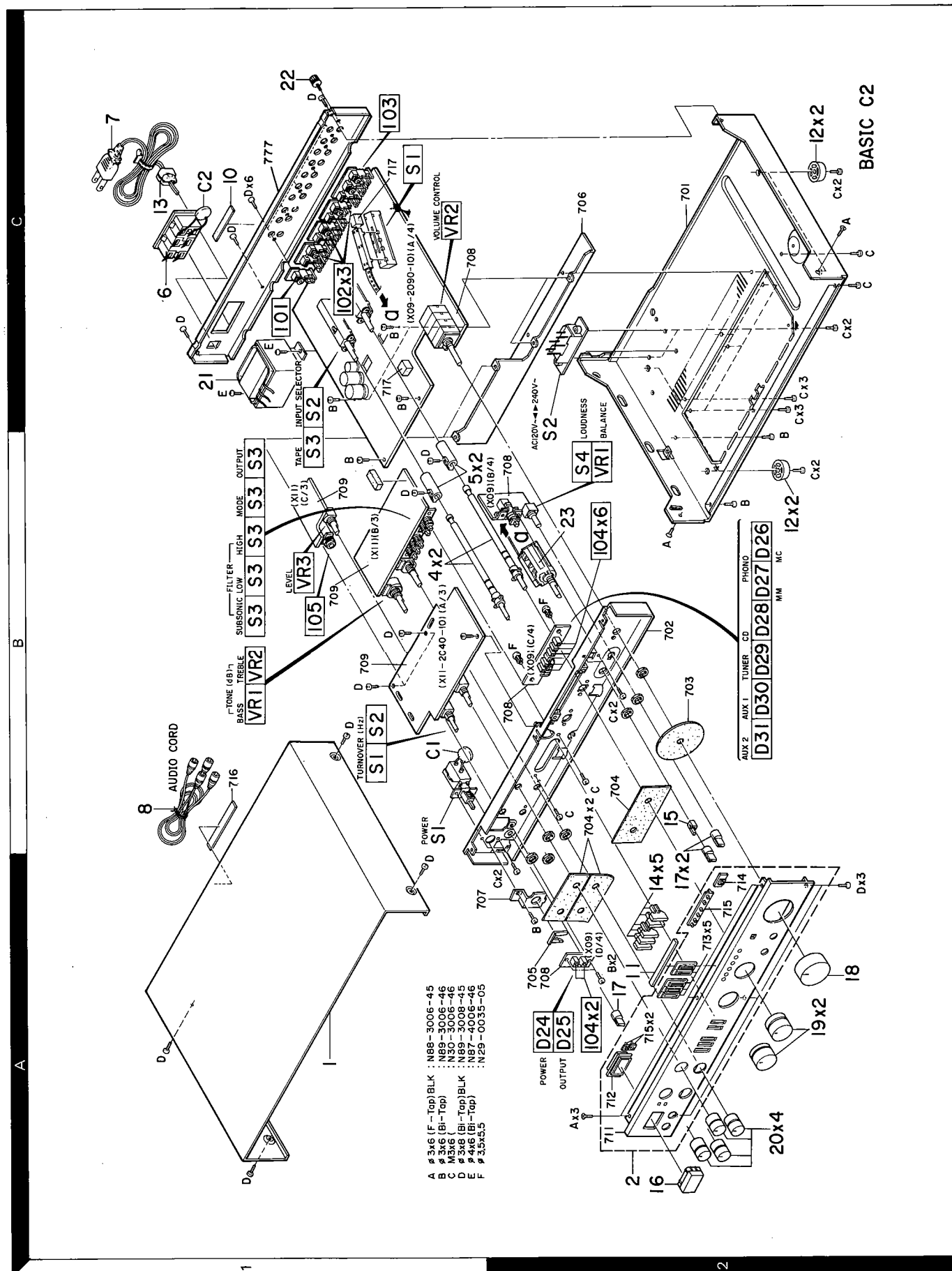
- (X11-2040-10)
- IC1,2 : NJM4560D-N
 - IC3 : M5218L
 - D1 : IS2076 or IS1555
 - Q1 : 2SC2320(E,F)
 - Q2,3 : 2SK105(F,H)

0 - 10 Ω	1K, 10K, 100K, 1M, 10M, 100M, 1000M	2 - 71 Ω	1K, 10K, 100K, 1M, 10M, 100M, 1000M
R35,36	SHORT	L,2K	
R37,38	330	SHORT	
R39,40	NO	50Ω	
R41,42	240	50Ω	
R43,44	NO	470	
C1,2	100P	100P	
C3,4	NO	100P	
C5,6	NO	2200P	
C7,8	NO	1000P	
C9,10	NO	100P	
L1,2	NO	150μH	
R17,18	180	220	
C3,4	1000P	1500P	



CAUTION: For continued safety, replace safety critical components only with manufacturer's recommended parts (refer to parts list). Δ Indicates safety critical components. To reduce the risk of electric shock, leakage-current or resistance measurements shall be carried out (exposed parts are acceptably insulated from the supply circuit) before the appliance is returned to the customer.

EXPLODED VIEW



PARTS LIST

× New Parts
 Parts without **Parts No.** are not supplied.
 Les articles non mentionnés dans le **Parts No.** ne sont pas fournis.
 Teile ohne **Parts No.** werden nicht geliefert.

Ref. No. 参照番号	Address 位置	New Parts 新	Parts No. 部品番号	Description 部品名 / 規格	Desti- nation 仕 向	Re- marks 備考
BASIC C2						
1	1A		A01-0447-13	METALLIC CABINET		
2	2A	*	A20-4038-02	PANEL ASSY	KPUM	
2	2A	*	A20-4038-02	PANEL ASSY	UEXE	
2	2A	*	A20-4040-02	PANEL ASSY	T	
-			B46-0092-03	WARRANTY CARD	K	
-			B46-0093-03	WARRANTY CARD	P	
-			B46-0094-03	WARRANTY CARD	UUE	
-			B46-0095-03	WARRANTY CARD	UUE	
-			B46-0096-03	WARRANTY CARD	X	
-			B46-0097-03	WARRANTY CARD	T	
-			B46-0098-03	WARRANTY CARD	E	
-		*	B50-5296-00	INSTRUCTION MANUAL (ENGLISH)	KPUM	
-		*	B50-5296-00	INSTRUCTION MANUAL (ENGLISH)	UEXE	
-		*	B50-5297-00	INSTRUCTION MANUAL (FRENCH)	PMXE	
-		*	B50-5298-00	INSTRUCTION MANUAL (SPANISH)	M	
-		*	B50-5299-00	INSTRUCTION MANUAL (ARABIC)	M	
-		*	B50-5300-00	INSTRUCTION MANUAL (ENGLISH)	T	
-		*	B50-5301-00	INSTRUCTION MANUAL (G.D.I)	E	
-		*	B59-0092-00	SERVICE DIRECTORY	UUE	
Δ C1	1B		C91-0647-05	CERAMIC 0.01UF P		
4	1B	*	D21-1045-03	EXTENSION SHAFT		
5	1B		D22-0047-04	SHAFT COUPLING		
Δ 6	1C		E03-0007-05	AC OUTLET	KPUM	
Δ 6	1C		E03-0007-05	AC OUTLET	UE	
Δ 7	1C		E30-0181-05	AC POWER CORD	K	
Δ 7	1C		E30-0459-05	AC POWER CORD	E	
Δ 7	1C		E30-0587-15	AC POWER CORD	T	
Δ 7	1C		E30-0712-05	AC POWER CORD	UMUE	
Δ 7	1C		E30-0780-05	AC POWER CORD	P	
Δ 7	1C		E30-1341-05	AC POWER CORD	X	
8	1B		E30-0505-05	AUDIO CORD		
10	1C		G11-0128-14	SOFT TAPE		
11	2A		G11-0135-04	SOFT TAPE		
-		*	H01-5218-04	ITEM CARTON CASE	KPUM	
-		*	H01-5218-04	ITEM CARTON CASE	UEXE	
-		*	H01-5219-04	ITEM CARTON CASE	T	
-			H10-1538-13	POLYSTYRENE FOAMED FIXTURE		
-			H25-0078-04	PROTECTION BAG		
-			H25-0216-04	PROTECTION BAG		
12	2B, 2C		J02-0089-05	FOOT		
13	1C		J42-0083-05	POWER CORD BUSHING		
14	2A		K27-0742-14	KNOB (FILTER)		
15	2B		K27-0896-04	KNOB (LOUDNESS)		
16	2A		K27-1141-04	KNOB (POWER)		
17	2A, 2B		K29-1327-04	KNOB (BAL., CART., PHONES)		
18	2A	*	K29-1835-04	KNOB (VOLUME)		

E: Scandinavia & Europe H: Audio Club K: USA P: Canada
 S: South Africa T: England U: PX (Far East, Hawaii)
 UE: AAFES (Europe) X: Australia M: Other Areas

Δ indicates safety critical components.

PARTS LIST

* New Parts
Parts without Parts No. are not supplied.
Les articles non mentionnes dans le Parts No. ne sont pas fournis.
Teile ohne Parts No. werden nicht geliefert.

Ref. No. 参照番号	Address 位置	New Parts 新	Parts No. 部品番号	Description 部品名 / 規格	Desti- nation 仕 向	Re- marks 備考
19 20	2A 2A	* *	K29-1836-04 K29-1837-04	KNØB (INPUT, TAPE) KNØB (TONE)		
△ △ △ △ △	21 21 21 21		L01-2771-15 L01-2776-05 L01-2776-05 L01-2777-05	POWER TRANSFORMER POWER TRANSFORMER POWER TRANSFORMER POWER TRANSFORMER	K UMUEX TE P	
22	1C		N08-0128-3S	BINDING POST		
△ △ △ △	23 S1 S2 S2	* 	S90-0077-05 S40-1073-05 S31-2053-05 S31-2053-05	REMOTE SWITCH SHAFT PUSH SWITCH SLIDE SWITCH (POWER TYPE) SLIDE SWITCH (POWER TYPE)	 UMUEX TE	
AUDIO (X09-2090-10)						
D24 D25 D26 -31			B30-1012-05 B30-1010-05 B30-1012-05	LED LED LED		
C1 C1 C1 C3 C5	.2 .2 .2 .4 .6		CC45FSL1H101J CC45FSL1H101J CC45FSL1H181J CK45FB1H102K CE04FW0J222MEL	CERAMIC 100PF J CERAMIC 100PF J CERAMIC 180PF J CERAMIC 0.001UF K ELECTRØ 2200UF 6.3WV	KPUM UE XTE	
C7 C9 C11 C13 C15	.8 .10 .12 .14 .16		CF92FV1H113J CF92FV1H393J CE04HW1H3R3MEL CF92FV1H392J CC45FSL1H121J	MF 0.011UF J MF 0.039UF J NP-ELEC 3.3UF 50WV MF 3900PF J CERAMIC 120PF J	XTE	
C17 C19 C21 C23 C25	.18 .20 .22 .24 .26		CK45FB1H222K CK45FB1H561K CC45FSL1H331J CE04HW1E470MEL CK45FB1H152K	CERAMIC 2200PF K CERAMIC 560PF K CERAMIC 330PF J NP-ELEC 47UF 25WV CERAMIC 1500PF K	XTE XTE	
C27 C29 C31 C35 C61	.28 .30 .32 -46 .62		CF92FV1H273J CC45FSL1H101J CC45FSL1H270J CC45FSL1H181J CF92FV1H103J	MF 0.027UF J CERAMIC 100PF J CERAMIC 27PF J CERAMIC 180PF J MF 0.010UF J	XTE	
C63 C67 C69 C71 C75	-66 .68 .70 -74 .76		CE04FW1E101MEL CE04FW1V101MEL CF92FV1H103J CE04FW1E101MEL CE04FW1V101MEL	ELECTRØ 100UF 25WV ELECTRØ 100UF 35WV MF 0.010UF J ELECTRØ 100UF 25WV ELECTRØ 100UF 35WV		
C77 C79 C81 C83 C85	.78 .80 .82 .84 C85	* 	CE04FW1V102MEL CE04FW1C470MEL CE04FW1C101MEL CE04FW1E471MEL CE04FW1E330MEL	ELECTRØ 1000UF 35WV ELECTRØ 47UF 16WV ELECTRØ 100UF 16WV ELECTRØ 470UF 25WV ELECTRØ 33UF 25WV		
C86 C87 C88 .89			CE04FW1C101MEL CF92FV1H103J CK45FE2H103P	ELECTRØ 100UF 16WV MF 0.010UF J CERAMIC 0.010UF P		
101 102 103	1C 1C 1C		E13-0217-05 E13-0432-05 E13-0618-05	PHONE JACK (2P) PHONE JACK (4P) PHONE JACK (6P)		
104	2A, 2B		J19-0862-04	LED HOLDER		

E: Scandinavia & Europe H: Audio Club K: USA P: Canada
S: South Africa T: England U: PX (Far East, Hawaii)
UE: AAFES (Europe) X: Australia M: Other Areas

△ indicates safety critical components.

PARTS LIST

* New Parts
Parts without Parts No. are not supplied.
Les articles non mentionnes dans le Parts No. ne sont pas fournis.
Teile ohne Parts No. werden nicht geliefert.

Ref. No. 参照番号	Address 位置	New Parts 新	Parts No. 部品番号	Description 部品名 / 規格	Desti- nation 仕 向	Re- marks 備考
L1 .2			L40-1511-43	SMALL FIXED INDUCTOR	XTE	
R103 R106 R107, 108 R109, 110 R111, 112		* * *	RD14AB2E470JTS RS14DB3A391JTE RD14AB2E4R7JTS RS14DB3A331JTE RD14AB2E4R7JTS	FL-PROOF RD 47 J 1/4W FL-PROOF RS 390 J 1W FL-PROOF RD 4.7 J 1/4W FL-PROOF RS 330 J 1W FL-PROOF RD 4.7 J 1/4W		
R113, 114 R115, 116 R117, 118 VR1 VR2		* * * * *	RD14AB2E561JTS RD14AB2E4R7JTS RD14AB2E561JTS R10-5017-05 R11-9016-05	FL-PROOF RD 560 J 1/4W FL-PROOF RD 4.7 J 1/4W FL-PROOF RD 560 J 1/4W POTENTIOMETER POTENTIOMETER		
RL1 S1 S2 S3 S4		* * * * *	S51-2069-05 S90-0082-05 S29-1141-05 S29-6010-05 S40-2331-05	MAGNETIC RELAY SLIDE SWITCH ROTARY SLIDE SWITCH ROTARY SLIDE SWITCH PUSH SWITCH		
D1 D1 D10 D11 D15	-4 -4 -14 -14 .16		1S1555 1S2076 RD16J(B2) RD20E(B2) DSM1A1	DIODE DIODE ZENER DIODE ZENER DIODE DIODE		
△ △ D17 D19 D21 D21 IC1	.18 .20 -23 -23 IC1		RD13E(B2) DSM1A1 1S1555 1S2076 NJM4560D-N	ZENER DIODE DIODE DIODE DIODE IC		
IC2 Q1 Q1 Q5 Q7	-4 -4 -4 .6 -14		NJM2041D-D 2SK170(BL) 2SK170(V) UPA68H(M,N) 2SC1845(F,E)	IC FET FET DUAL FET TRANSISTOR		
Q21 Q22 Q23 Q23 Q23	.24 .24 .24 .24 .24		2SC2590(R,S) 2SA1110(R,S) 2SK105(H) 2SK105A(2) 2SK301(Q)	TRANSISTOR TRANSISTOR FET FET FET		
Q25 Q26 Q27 Q27 Q27	.28 .28 .28 .28 .28		2SC2590(R,S) 2SA1110(R,S) 2SK105(H) 2SK105A(2) 2SK301(Q)	TRANSISTOR TRANSISTOR FET FET FET		
Q29 Q30 Q31 Q31 Q34	.28 -33 -33 -33 Q34		2SC2590(R,S) 2SA1110(R,S) 2SC2320(E,F) 2SC945(A)(Q,P) 2SC2003(L,K)	TRANSISTOR TRANSISTOR TRANSISTOR TRANSISTOR TRANSISTOR		
CONTROL (X11-2040-10)						
C1 C3 C5 C7 C9	.2 .4 .6 .8 -12		CF92FV1H154J CF92FV1H682J CF92FV1H332J CF92FV1H154J CE04JW1H010M	MF 0.15UF J MF 6800PF J MF 3300PF J MF 0.15UF J ELECTRØ 1.0UF 50WV		
C13 C15	.14 .16		CC45FSL1H100D CF92FV1H154J	CERAMIC 10PF D MF 0.15UF J		

E: Scandinavia & Europe H: Audio Club K: USA P: Canada
S: South Africa T: England U: PX (Far East, Hawaii)
UE: AAFES (Europe) X: Australia M: Other Areas

△ indicates safety critical components.

PARTS LIST

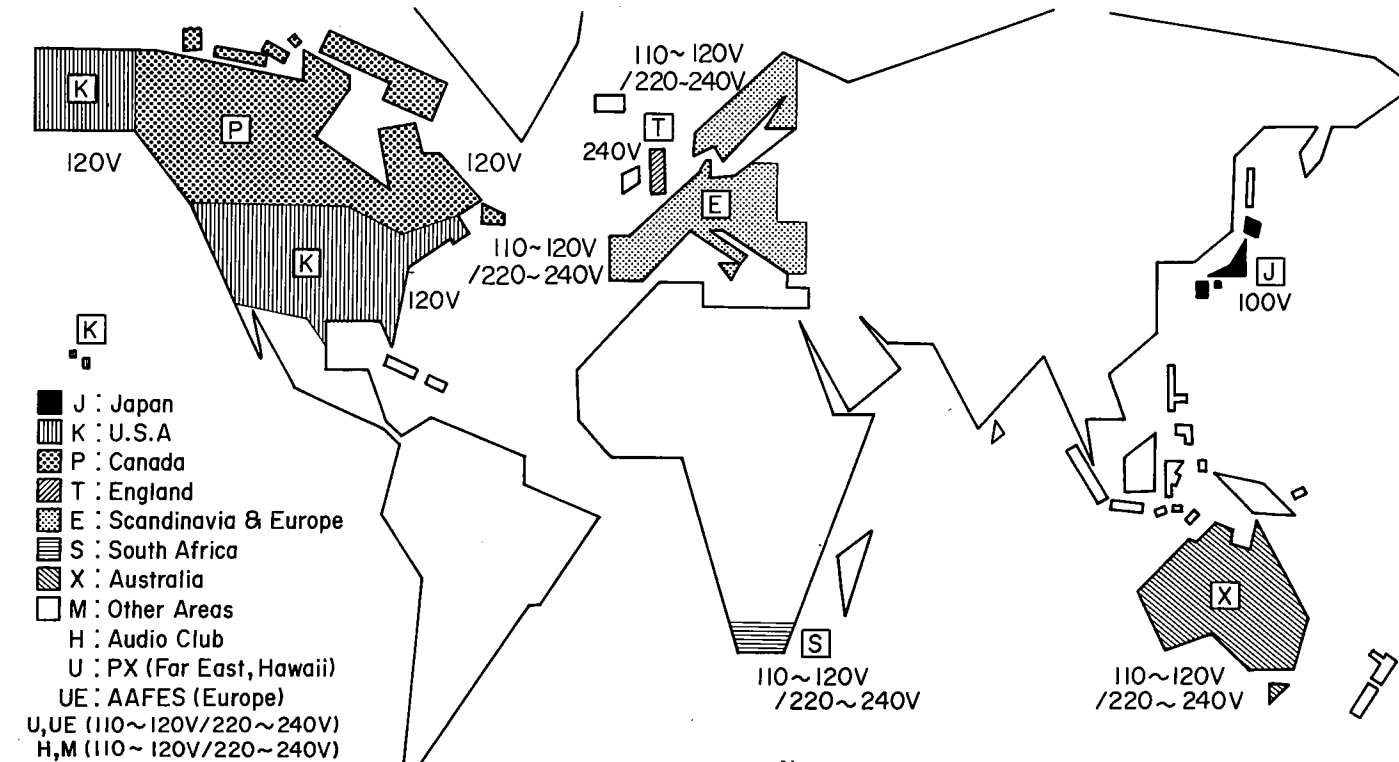
※ New Parts
 Parts without Parts No. are not supplied.
 Les articles non mentionnés dans le Parts No. ne sont pas fournis.
 Teile ohne Parts No. werden nicht geliefert.

Ref. No. 参照番号	Address 位置	New Parts 新	Parts No. 部品番号	Description 部品名 / 規格	Desti- nation 仕 向	Re- marks 備考
C19 ,20 C21 ,22 C23 ,24 C25 ,26 C27 ,28			CE04HW1E470MEL CF92FV1H392J CF92FV1H393J CF92FV1H104J CF92FV1H124J	NP-ELEC 47UF 25WV MF 3900PF J MF 0.039UF J MF 0.10UF J MF 0.12UF J		
C29 ,30 C31 ,32 C33 ,34 C35 ,36 C37 ,38			CF92FV1H184J CF92FV1H822J CE04FW1H010MEL CC45FSL1H101J CC45FSL1H330J	MF 0.18UF J MF 8200PF J ELECTR0 1.0UF 50WV CERAMIC 100PF J CERAMIC 33PF J		
C39 ,40 C41 ,42 C43 ,44 C45 ,46 C47 ,48		*	CE04HW1E330MEL CF92FV1H103J CC45FSL1H470J CE04FW1H010MEL CC45FSL1H101J	NP-ELEC 33UF 25WV MF 0.010UF J CERAMIC 47PF J ELECTR0 1.0UF 50WV CERAMIC 100PF J		
C49 ,50 C51 C52 C53 -56 C60			CC45FSL1H221J CE04FW1C100MEL CE04FW1C100MEL CF92FV1H103J CE04FW1A101MEL	CERAMIC 220PF J ELECTR0 10UF 16WV ELECTR0 10UF 16WV MF 0.010UF J ELECTR0 100UF 10WV		
105	2A		E11-0127-05	PHONE JACK		
R69 ,70 VR1 ,2 VR3		*	RD14GB2E470JTS R06-3047-05 R10-4019-05	FL-PROOF RD 47 J 1/4W POTENTIOMETER POTENTIOMETER		
S1 ,2 S3		*	S29-2030-05 S42-5039-05	ROTARY SWITCH MULTIPLE PUSH SWITCH		
D1 D1 IC1 ,2 IC3 Q1			1S1555 1S2076 NJM4560D-N M5218L 2SC2320(E,F)	DIODE DIODE IC IC TRANSISTOR		
Q1 Q3 ,4			2SC945(A)(Q,P) 2SK105(F,H)	TRANSISTOR FET		

E: Scandinavia & Europe H: Audio Club K: USA P: Canada
 S: South Africa T: England U: PX(Far East, Hawaii)
 UE: AAFES(Europe) X: Australia M: Other Areas

⚠ indicates safety critical components.

WORLD MAP & AREA CORD



Note:

Component and circuitry are subject to modification to insure best operation under differing local conditions. This manual is based on, the U.S. (K) standard, and provides information on regional circuit modification through use of alternate schematic diagrams, and information on regional component variations through use of parts list.

TRIO-KENWOOD CORPORATION

Shionogi Shibuya Building, 17-5, 2-chome Shibuya, Shibuya-ku, Tokyo 150, Japan

KENWOOD ELECTRONICS
 1315 E. Watsoncenter Rd, Carson, California 90745, U.S.A.
 75 Seaview Drive, Secaucus, New Jersey 07094, U.S.A.
TRIO-KENWOOD CANADA INC.
 1070 Jayson Court, Mississauga, Ontario, Canada L4W 2V5
TRIO-KENWOOD ELECTRONICS, N.V.
 Leuvensesteenweg 504 B-1930 Zaventem, Belgium
TRIO-KENWOOD ELECTRONICS GmbH
 Rudolf-Brass-Str. 20, 6056 Heusenstamm, West Germany
TRIO-KENWOOD FRANCE S.A.
 5, Boulevard Ney, 75018 Paris, France
TRIO-KENWOOD (AUSTRALIA) PTY. LTD. (INCORPORATED IN N.S.W.)
 4E Woodcock Place, Lane Cove, N.S.W. 2066, Australia
KENWOOD & LEE ELECTRONICS, LTD.
 Wang Kee Building, 5th Floor, 34-37, Connaught Road, Central, Hong Kong