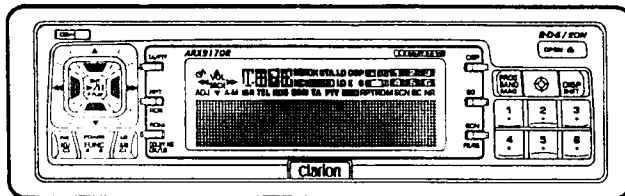


clarion Service Manual

Published by Service Dept.

RDS-EON/FM · MPX/MW/LW RADIO
CASSETTE COMBINATION WITH
DSP/EQ/CD CHANGER CONTROL



Model **ARX9170R**

(PE-9902E)



CLAR-00353

■ SPECIFICATIONS:

Radio section

Frequency Range : LW 153kHz to 279kHz
MW 531kHz to 1,602kHz
FM 87.5MHz to 108.0MHz

Tape deck Section


Reproduction system : Auto reversing
4 track, 2 channel stereo
cassette tape playback
(Monaural also capable)

Tape speed : 4.76cm/sec.(1-7/8ips)

General Section

Load impedance : 10k Ω × 4 (Line out)
10k Ω × 2 (Non fader out)
Power Supply Voltage : 14.4V(10.8V to 15.6V allowable),
negative ground
Current Consumption : Less than 3A
Dimensions : 178(W) × 50(H) × 152(D)mm
Weight : 1.6kg

●Dolby noise reduction is manufactured under license from Dolby Laboratories Licensing Corporation.

●"DOLBY" and the double-D symbol  are trademarks of Dolby Laboratories Licensing Corporation.

Specifications and design are subject to change without notice for further improvement.

■ COMPONENTS:

●PE-9902E-A

Main unit		1
Remote controller	RCB-058-300	1
Battery(CR2058BC)		1
Sticker	291-0062-00	1
Mounting bracket (univ.)	300-9035-01	1
DCP case	335-4848-03	1
Extension lead	854-3843-00	1
Parts bag		1
Hook plate	330-8216-01	(2)
Lead holder	335-0833-01	(1)
Spacer	345-3653-01	(1)
Screw	716-0726-01	(1)

■ EXPLANATION OF ICs

■ μ PD78058GC-025-3B9 052-3318-00 System Controller
 ■ μ PD78058GC-044-3B9 052-3316-01 (Master Microcomputer)

* 052-3318-00 and 052-3316-01 are not compatible with each other.

Outward Form

80-pin plastic QFP

Terminal Description (052-3318-00)

No.	Symbol	I/O	Function
1 } 3	GND	-	GND terminal.
4 } 6	AV _{SS}	-	GND terminal for A/D.
7	AVref 1	-	A/D reference voltage terminal (+5V).
8 9 10	SI 2 SO 2 SCK 2	-	Connected to GND.
11 12	DISP SI DISP SO	I O	Terminal to input and output data of serial bus line.
13 14 15	DISP SCK DISP RESET DISP BUSY	O O I	Terminal to input and output signal to DCP microcomputer.
16 17 18	C-BUS SI C-BUS SO C-BUS SCK	I O O	C-BUS line SI/SO/SCK terminal on master side.
19 } 26 27 } 29	AD 0 } AD 7 A 8 } A 10	I/O O	Address/data bus for SRAM interface.
30	NC	-	Not in use.
31	SRQ	I	C-BUS line SRQ terminal on master side.
32	ACC CONT	O	ACC controlling terminal of serial bus line.
33	V _{SS}	-	GND terminal.
34	ILLUMI 1	O	"H" is outputted in the case of AMBER.
35	ILLUMI 2	O	"H" is outputted in the case of GREEN.
36	ACC REM	O	Terminal to control ON/OFF of 5V system power supply (ACC 5V).
37	REM + B	O	Terminal to control ON/OFF of +B (audio system) power supply.
38	MUTE	O	Terminal to output SYSTEM MUTE signal.
39	BLINK LED	O	BLINKING LED terminal.
40	RD	O	Strobing terminal for SRAM lead.
41	WR	O	Strobing terminal for SRAM light.
42	CE	O	Terminal to enable SRAM chip.
43	ASTB	O	Latch terminal for SRAM light.
44 45	GND	-	GND terminal.
46 47 48	EVOL CLK EVOL DATA EVOL CE	O	Terminal to transfer serial data to electric volume.
49	PHONE INT	I	Terminal to input interruption signal from telephone.
50 } 53	GND	-	GND terminal.

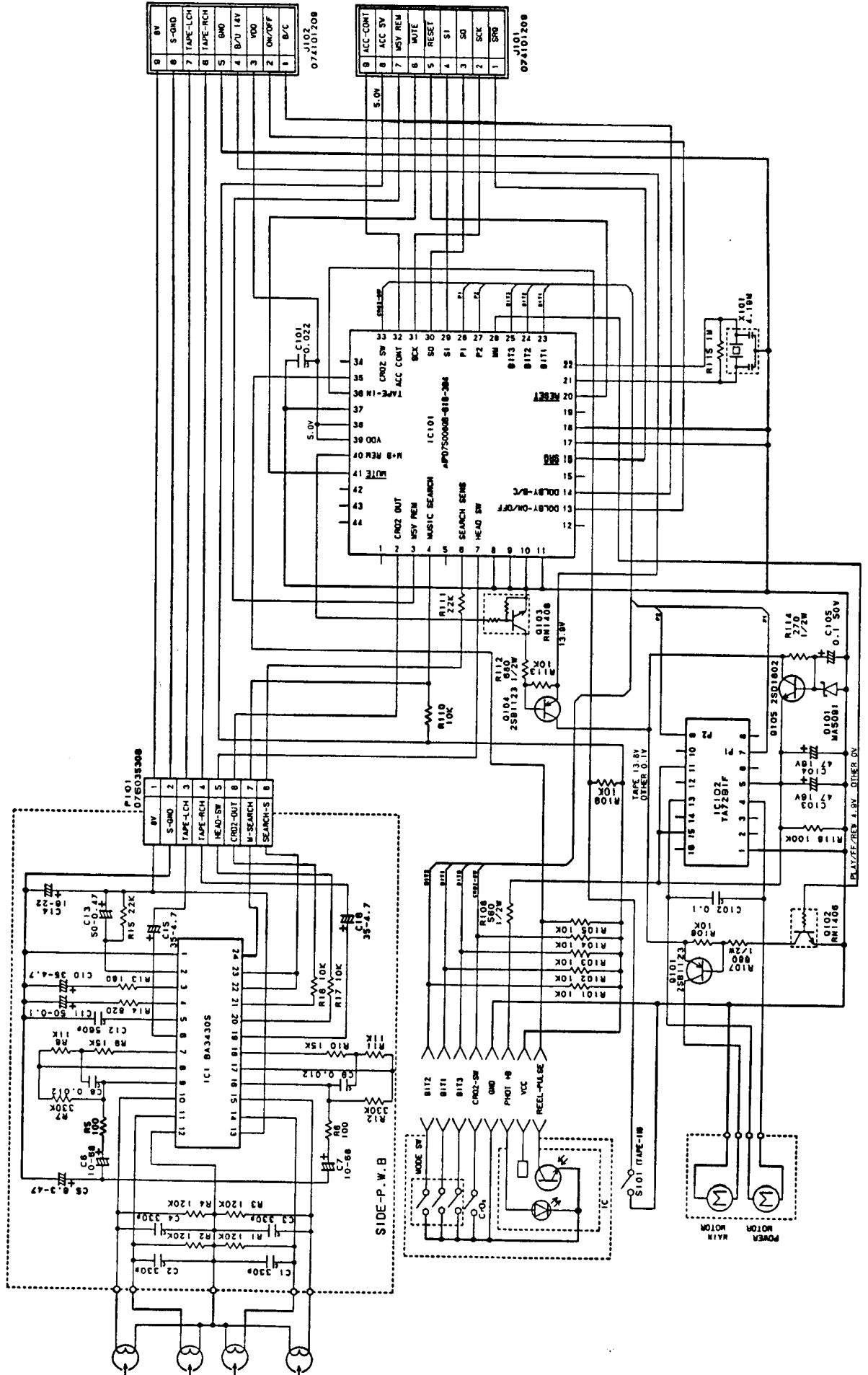
Note: Only new microcomputers are described here.

Pin No.	Symbol	I/O	Function															
54 55	MOTOR - MOTOR +	O	Terminal to control direction of motor revolution of flap. <table border="1" style="margin-left: 20px;"> <thead> <tr> <th>MOTOR +</th> <th>MOTOR -</th> <th>Direction of flap movement</th> </tr> </thead> <tbody> <tr> <td>H</td> <td>H</td> <td>Brake</td> </tr> <tr> <td>H</td> <td>L</td> <td>In the direction of OPEN</td> </tr> <tr> <td>L</td> <td>H</td> <td>In the direction of CLOSE</td> </tr> <tr> <td>L</td> <td>L</td> <td>—</td> </tr> </tbody> </table>	MOTOR +	MOTOR -	Direction of flap movement	H	H	Brake	H	L	In the direction of OPEN	L	H	In the direction of CLOSE	L	L	—
MOTOR +	MOTOR -	Direction of flap movement																
H	H	Brake																
H	L	In the direction of OPEN																
L	H	In the direction of CLOSE																
L	L	—																
56	REM MOTOR	O	Flap block battery ON/OFF control terminal. Flap power ON: H															
57	DR SENC	I	Input terminal to detect opening and closing of cassette door. Pack in: "H" No pack: "L"															
58	OPEN SENC	I	Terminal to detect opening of flap.															
59	CLOSE SENC	I	Terminal to detect closing of flap.															
60	RESET	I	Terminal to input reset signal.															
61	DISP REQ	I	Terminal to input REQ signal from DCP microcomputer.															
62	B/U	I	Input terminal for BACK UP detection.															
63	ACC IN	I	Input terminal for ACC ON/OFF detection. "H" at ACC ON. "L" at ACC OFF.															
64	EJECT	I	Input terminal for EJECT key detection. The terminal turns "H" when key is pressed.															
65	ILLUMI DET	I	Input terminal for ILLUMI detection.															
66	DCP IN	I	Input terminal for DCP detection. The terminal turns "L" when DCP is detected.															
67	FUNCTION	I	Input terminal for power (function) SW detection. The terminal turns "L" when FUNCTION SW is ON.															
68	V _{DD}	-	Power supply voltage terminal (+5V).															
69 70	X 2 X 1	-	System clock terminal.															
71	V _{SS}	-	GND terminal.															
72	NC	-	Not in use.															
73	SELF CHECK	I	Terminal for SELF CHECK.															
74	AV _{DD}	-	A/D power supply voltage terminal (+5V).															
75	AVref 0	-	A/D reference voltage terminal (0V).															
76 } 80	GND	-	GND terminal.															

Differences (0952-3316-01)

Pin No.	Symbol	I/O	Function
50	BEEP	O	BUZZER output terminal which sends signal to turns the buzzer on.
51 } 58	NC	-	Not in use.
59	2105/2106	I	Terminal for input of PE-2105/PE-2106 selector signal. "H" in PE-2105 mode.
76	TEMP	O	The terminal judges high temperature when input voltage drops below 2.46V.

CIRCUIT DIAGRAM:



NO	PART NO.	DESCRIPTION	QTY	NO	PART NO.	DESCRIPTION	QTY
1	960-4405-90	DECK PLATE-ASSY	1	32	613-0286-02	FF/REW GEAR	2
2	960-4404-90	HEAD PLATE ASSY	1	33	613-0288-01	HERICAL GEAR	1
3	960-4262-03	FF/REW-P-ASSY	1	34	613-0289-01	GEAR A	1
4	960-4263-01	IDLER-P-ASSY F	1	35	613-0290-00	POWER GEAR	1
5	960-4264-01	IDLER-P-ASSY R	1	41	630-2718-00	CHANGE LINK	1
6	960-4266-05	MODE PLATE-ASSY	1	42	630-2598-04	EJECT LINK	1
7	960-4269-05	ROLLER ASSY F	1	43	630-2600-01	ADJUST LINK	1
8	960-4270-05	ROLLER ASSY R	1	44	630-2601-02	MOTER PLATE	1
9	960-4348-90	REEL ASSY F	1	45	630-2626-01	PWB FRAME	1
10	960-4349-90	REEL ASSY R	1	46	630-2642-01	GUIDE ARM	1
11	960-4389-90	EJECT SUB-ASSY	1	51	631-1992-01	PACK STOPPER	1
11-1	750-3020-01	SW-PLATE SPRING	1	52	631-1993-01	SLIDE BUSH	2
12	960-4338-01	BOTTOM SUB-ASSY	1	56	716-0484-00	SCREW-M2X2.25 B	13
12-1	960-4295-02	BOTTOM P-ASSY	1	57	716-0761-01	PWB SCREW	2
12-2	099-9926-01	FLEX PWB	1	58	716-0833-10	AZIMUTH SCREW	2
12-3	013-3951-00	SWITCH-MODE	1	61	746-0624-00	WASHER	2
12-4	013-3953-00	SWITCH-CR02	1	62	746-0724-00	WASHER	6
12-5	051-1776-01	IC NJL5801K-C	1	63	746-0761-00	WASHER	2
12-6	746-0767-00	WASHER	2	64	746-0762-00	WASHER	1
13	960-4282-99	DETECT-SUB-ASSY	1	65	746-0883-00	CLEANING PAD	1
14	960-4301-02	PLAY-L-ASSY GF	1	66	750-2946-02	PINCH SPRING	1
15	039-0053-00	SIDE PWB	1	67	750-2947-02	EJECT-P-SPRING	1
16	039-0367-00	REAR-PWB	1	68	750-2949-00	SLIDE SPRING	2
17	SMA-130-100	DC-MOTOR-MAIN	1	69	750-3148-00	IDLER P SPRING	2
18	SMA-131-100	DC-MOTOR-POWER	1	71	800-4911-60	VINYL-COAT-WIRE-BLK	1
19	960-4406-90	PACK GUIDE ASSY	1	72	802-4911-60	VINYL-COAT-WIRE-RED	1
21	011-0307-28	HEAD	1	73	806-4914-60	VINYL-COAT-WIRE-BLU	1
22	602-0118-00	BELT	1	74	809-4914-60	VINYL-COAT-WIRE-WHT	1
23	604-0046-00	TENSION PULLEY	1	76	347-4080-00	INSULATOR	1
25	610-0342-01	HEAD-P-ROLLER	1	80	074-0881-08	OUTLET SOCKET-8P	1
26	610-0343-00	GUIDE A ROLLER	1	82	013-3906-00	SWITCH	1
27	611-0091-02	FLYWHEEL	2	83	074-1012-09	OUTLET SOCKET-9P	2
31	613-0285-02	IDLER GEAR	2	84	076-0353-08	PLUG-8P	1

■ PARTS LIST:

Q Signal PWB				Q REAR PWB			
REF NO.	PARTS NO.	DESCRIPTION	QTY	REF NO.	PARTS NO.	DESCRIPTION	QTY
IC1	051-1546-10	IC BA3430S	1	D101	001-0595-17	Diode MA5001	1
C8,9	173-1231-10	Polyester-C 0.012 μ F	2	IC102	051-1014-05	IC TA7291F	1
C1-4	175-3311-00	Chip-C 330pF	4	IC101	051-1647-02	IC μ PD75008GB-616-384	1
C12	175-5611-00	Chip-C 560pF	1	X101	060-0266-00	Cera-resonator	1
C6,7	042-0476-02	Electro-C 10V80 μ F	2	Q101,104	101-1123-00	Transistor 2SB1123	2
C11	183-1043-61	Electro-C 50V0.1 μ F	1	Q105	103-1802-60	Transistor 2SD1802FA-R, S, T, U	1
C14	183-2263-31	Electro-C 16V22 μ F	1	Q102,103	125-2004-06	Transistor AN1400	2
C13	183-4743-61	Electro-C 50V0.47 μ F	1	C105	163-1063-30	Chip-C 50V0.1 μ F	1
C10,15,16	183-4753-51	Electro-C 35V4.7 μ F	3	C103,104	163-4763-30	Chip-C 16V47 μ F	2
C5	183-4763-11	Electro-C 6.3V47 μ F	1	C102	043-1601-10	Chip-C 0.1 μ F	1
				C101	178-2232-78	Chip-C 0.022 μ F	1

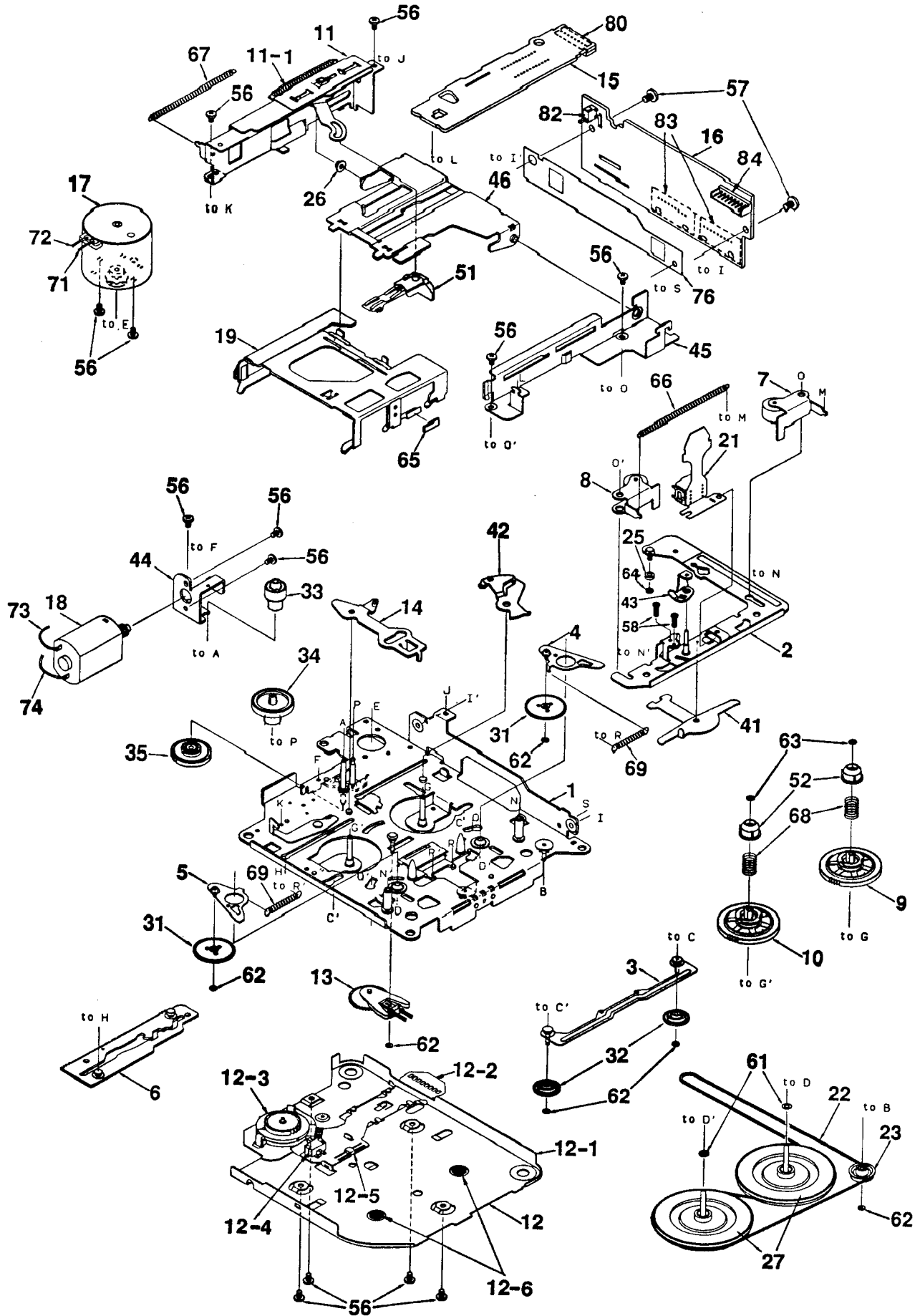
■ ADJUSTMENT:

● TAPE MECHANISM SECTION

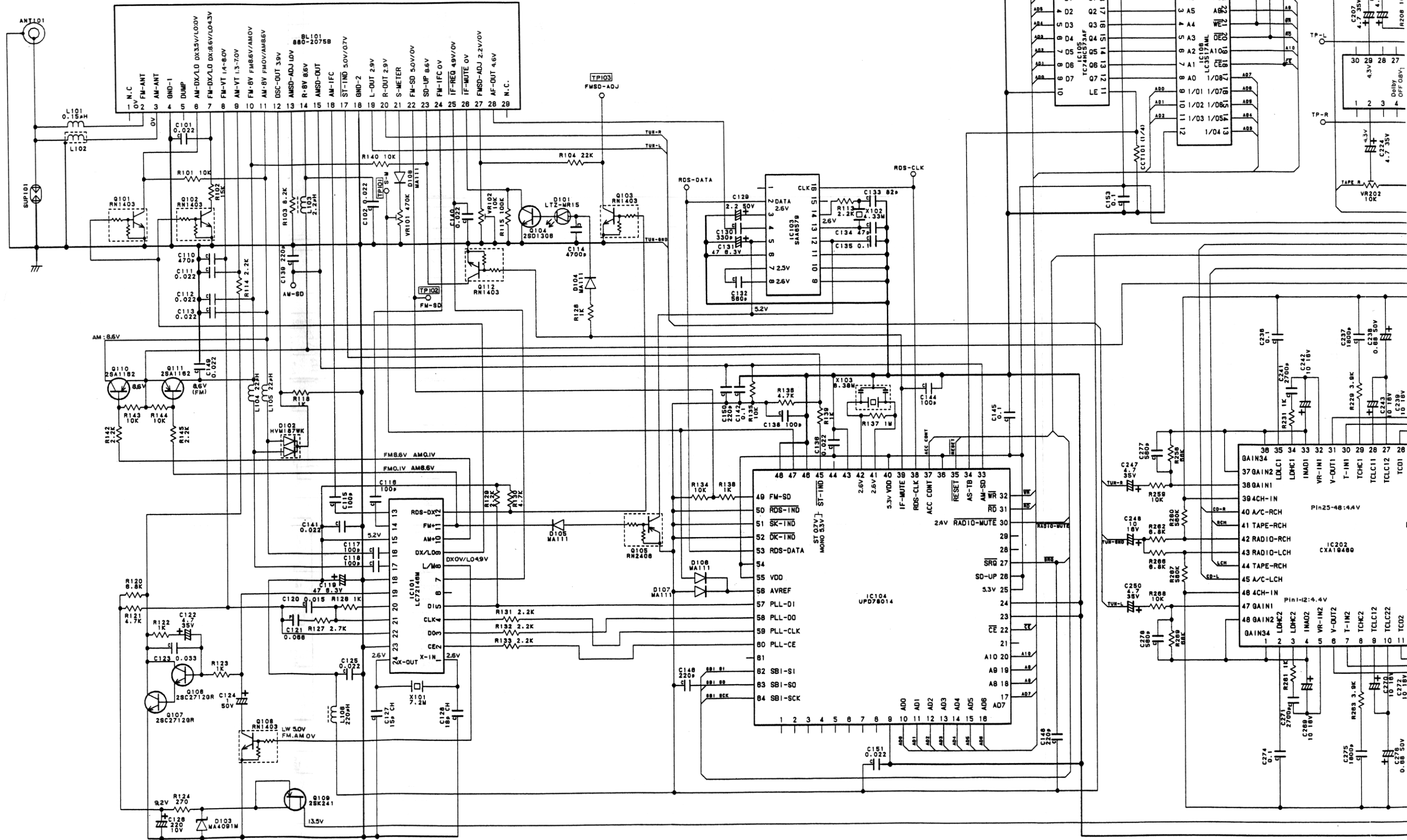
Item	Procedure	Instruments
Azimuth Adjustment	Make playback for the azimuth-tape (10kHz, -10VU), and turn each azimuth-adjusting screw to make each FWD & REV maximum. After adjustment, make adhesion with bond.	Milli-volt meter Azimuth-tape
Tape speed	Playback the test tape (3kHz, -10VU) and adjust the frequency counter value to be 3000Hz \pm 45Hz with tape speed VR.	Frequency counter Wow flutter-tape (3kHz - 10VU)

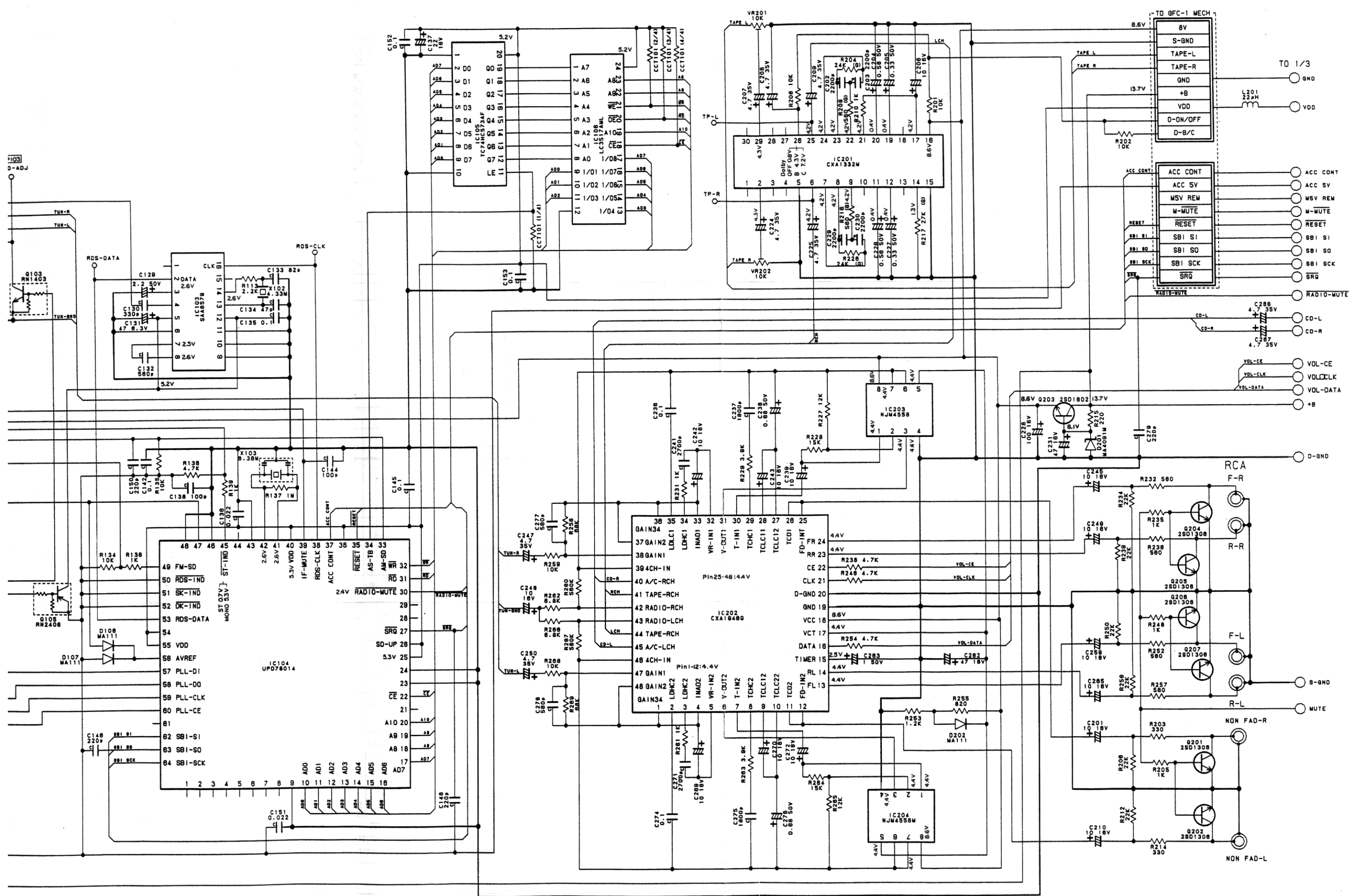
EXPLODED VIEW - PARTS LIST:

©Tape mechanism 930-0738-80(GFC-1)

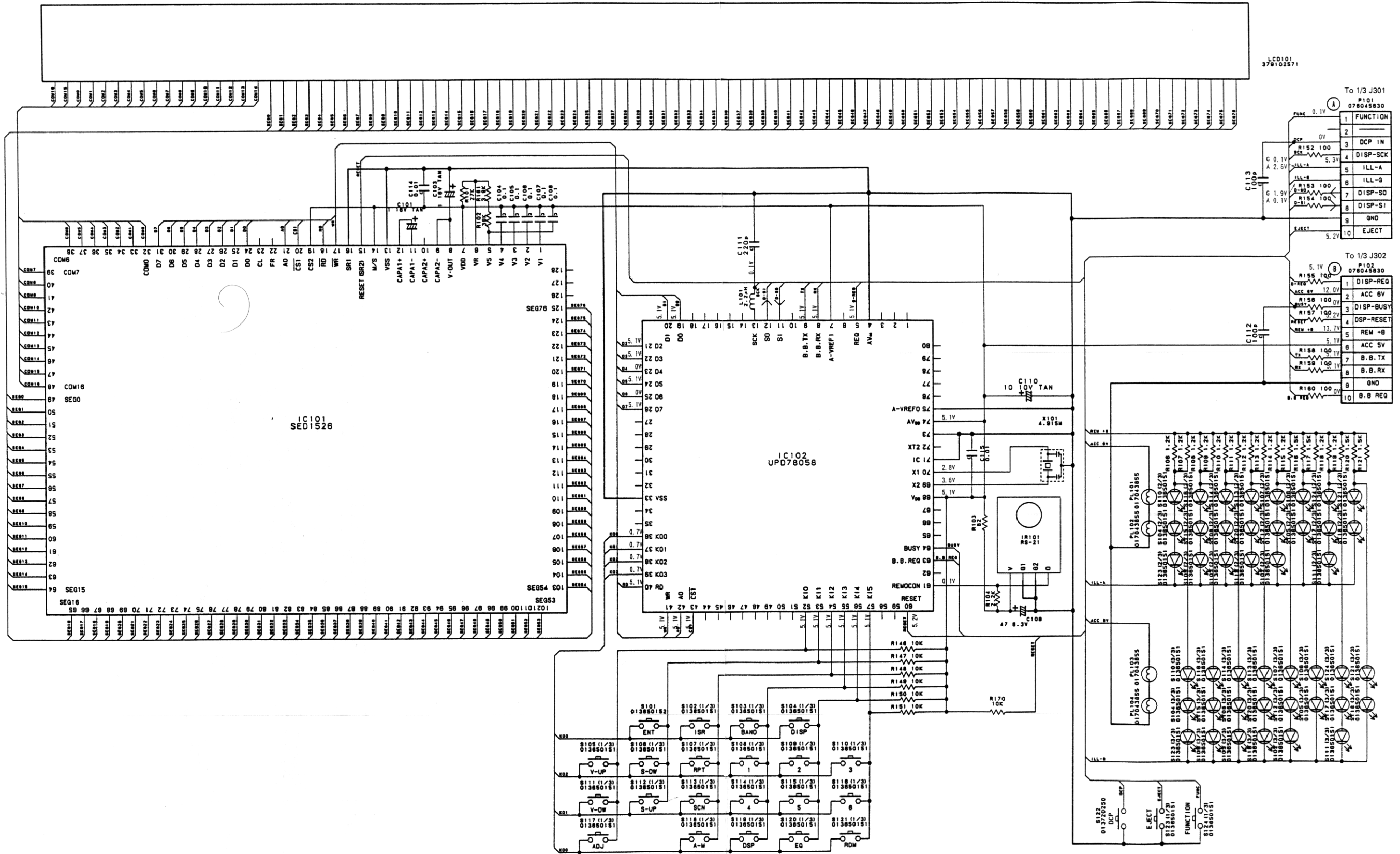


■ CIRCUIT DIAGRAM (2/3): MAIN PWB



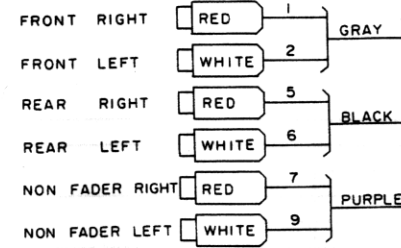


■ CIRCUIT DIAGRAM (3/3): SWITCH PWB



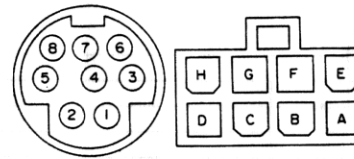
■ PRINTED WIRING BOARD: MAIN PWB

RCA LINE OUTPUT

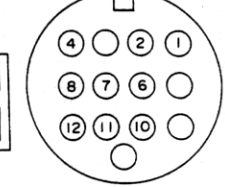


1	Tx (Date Out)
2	Rx (Date In)
3	Request
4	+B Remote
5	Mute
6	Back up +14V
7	Back up +14V
8	Ground
CASE	Ground case

BUS-LINE (8P)
To DSP, EQ

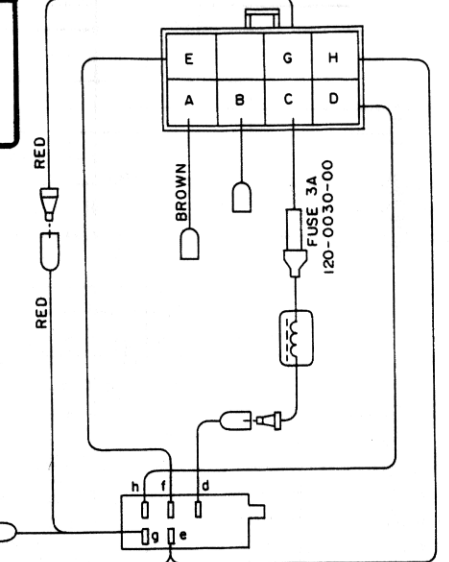
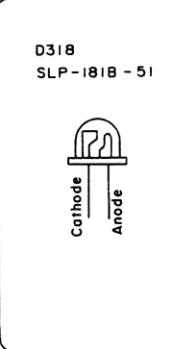
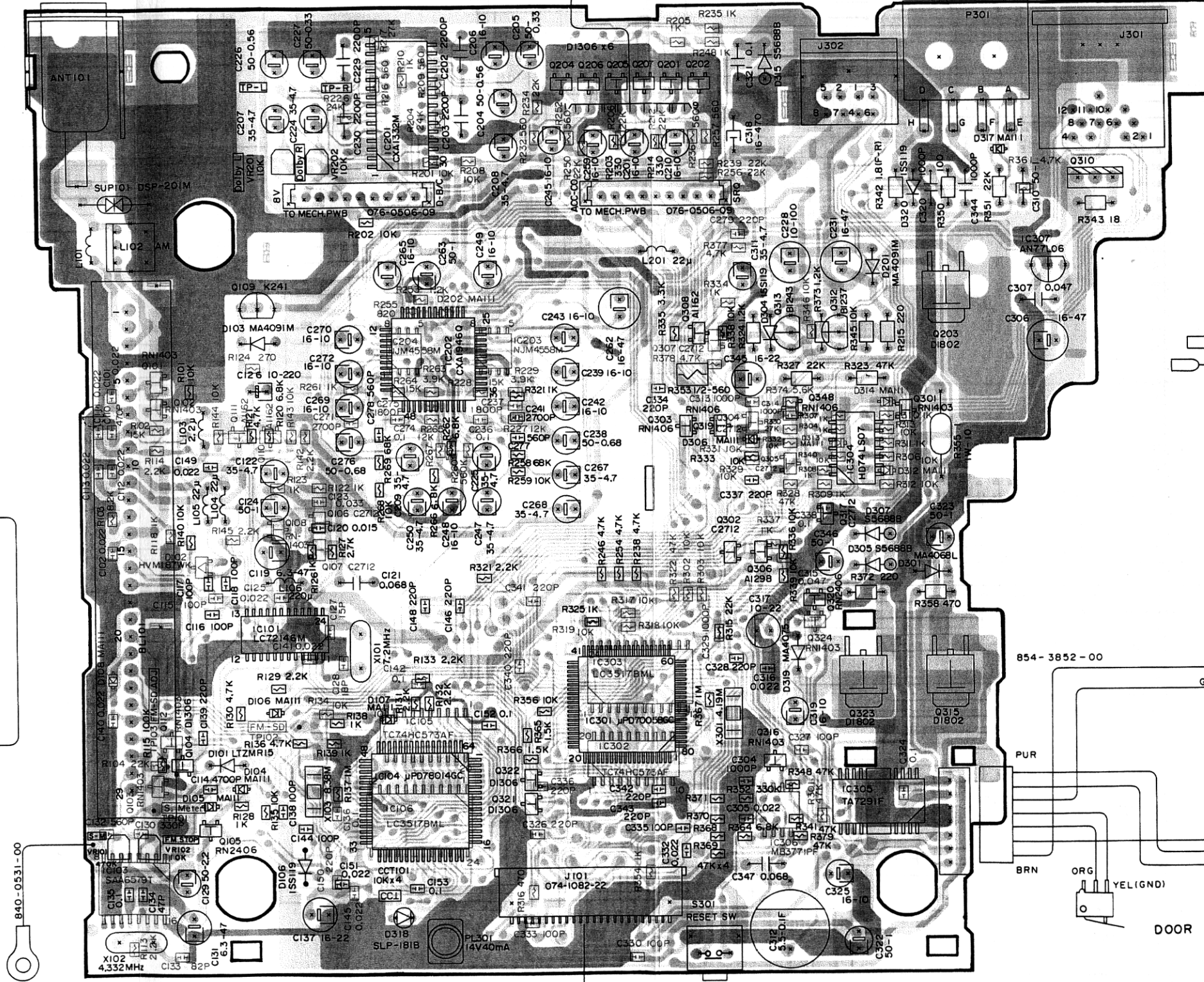


C-BUS LINE (13P)
To CD Changer



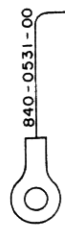
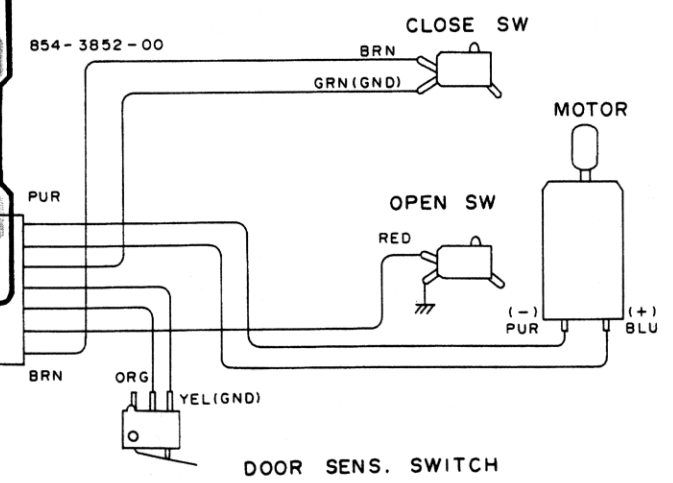
1	Serial data IN/OUT	8	Right ch. input
2	Serial clock	10	Back up
4	Service request	11	Accessory control
6	Signal ground	12	Ground (C-Bus)
7	Left ch. input	CASE	SHIELD

MAIN P.W.B.



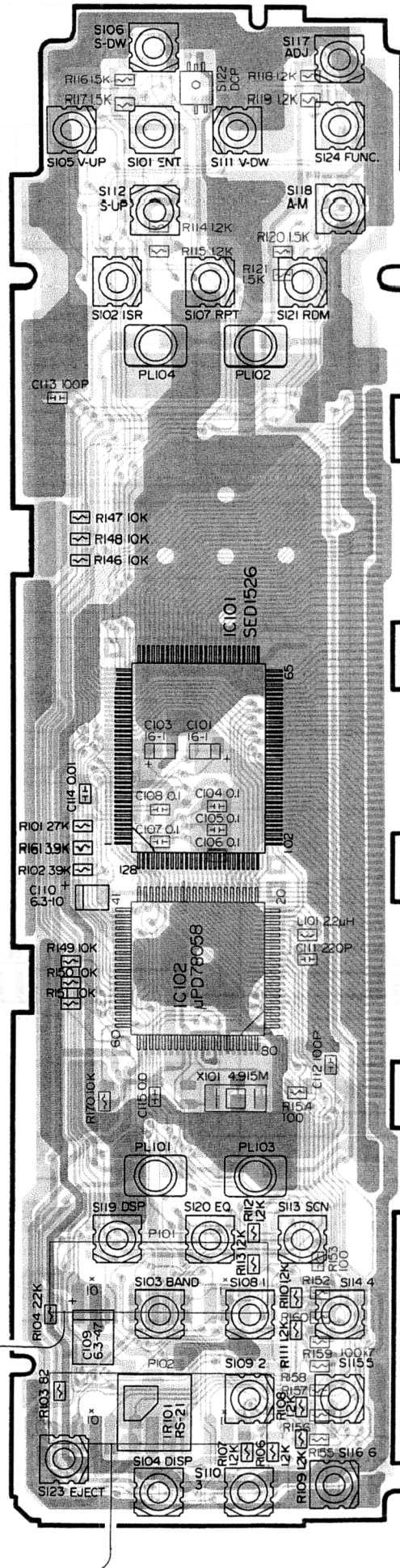
No.	Note	Color	ISO. PINNo
A	PHONE MUTE	BROWN	—
B	STARTER KILL	BLUE/RED	—
C	BACK UP	YELLOW	d
D	GROUND	BLACK	h
E	ILLUMI.	ORANGE/WHITE	f
G	ACCESSORY CONT.	RED	g
H	AUTO ANT.	BLUE/WHITE	e

«SLOPE CONTROL»



To SW P.W.B.

PRINTED WIRING BOARD: SWITCH PWB



TO MAIN P.W.B

ARX9170R

μPD78014GC-641-AB8 052-1301-10 Tuner Controller

Outward Form
64-pin plastic QFP

Terminal Description

No.	Symbol	I/O	Function
1	SD UP	O	Output when measuring a PLL setting IF count.
2	LPF CONT	O	PLL low-pass filter control terminal.
3	RDS MUTE	O	"H" is output for 1 second both at power (POWER & ACC)-on and AM to FM band switching.
4	OUT 1	O	"H"/"L" is simply output by receiving an arbitrary command from the master.
7	OUT 4		
8	NC	-	Not in use.
9	GND	-	GND terminal.
10	SRAM AD 0	I/O	SRAM control. Address & data line. Port commonly used for the lower 8-bit address and 8-bit data.
17	SRAM AD 7		
18	SRAM A 8	O	SRAM control. Address line. Upper 3-bit address output only port.
20	SRAM A 10		
21	NC	-	Not in use.
22	SRAM CE	O	SRAM control chip enable. "L" output at any time while the power (POWER & ACC) is turned on.
23	S CW	I	Initial setting CW detection enable ("H")/disable ("L").
24	GND	-	GND terminal.
25	S RDS IC	I	Initial setting RSD-IC selection. PHILIPS ("H")/SANYO ("L"). Disabled when RDS ID signal is at "H" and enabled at "L".
26	S SD UP	I	Initial setting SD UP enable ("L")/disable ("H").
27	SRQ	O	C-BUS communication SRQ output.
28	NC	-	Not in use.
29	REM	O	Remote signal output. "L" output at any time while the power (POWER & ACC) is turned on.
30	R MUTE	O	RADIO MUTE output. MUTE ON at "L". Turn on when changing the reception frequency.
31	SRAM RD	O	SRAM control. Data read signal. "L" output when executing a data read instruction from the SRAM.
32	SRAM WR	O	SRAM control. Data write signal. "L" output when executing a data write instruction to the SRAM.
33	AM SD	I	AM band. With-station detection signal input.
34	SRAM ASTB	O	SRAM control timing signal. Always output by effecting the memory expansion mode.
35	RESET	I	Microcomputer reset signal.

ADJUSTMENT:

FM SECTION

Item	Procedure
S-meter	1.Connect the digital volt-meter to TP101. 2.Input the 98.1MHz/30dB(30%,400Hz)signal and adjust the level to 2.4V±0.1V by VR101.
Stop sensitivity	1.Input the 98.1MHz/28dB(30%,400Hz)signal. 2.Connect the GND to TP103. 3.Adjust VR102 so that the voltage of TP102 is high.(or seek up tuning stops)

TAPE SECTION

Item	Procedure
Dolby level	1.Insert a Dolby level test tape(400Hz-200nWb/m),connect the milli-volt- meter to TP-L,TP-R and GND. 2.Adjust VR201 and VR202 to obtain an output of 388mV±1.5/-0.5dB at FWD and REV direction. (Dolby switch:OFF)

No.	Symbol	I/O	Function
36	INITIAL AM SD	I	Initial setting AM band SD detection. Yes ("H")/No ("L") designation. "H" : Performs SD detection.
37	ACC CONT	I	ACC signal (Terminal interrupt). "H" at ACC ON. "L" at ACC OFF.
38	RDS IC CLK	I	RDS IC communication. Clock input. (Terminal interrupt)
39	IF MUTE	O	IF MUTE terminal.
40	VDD	-	Supply voltage terminal.
41	XTAL	I	Main clock oscillator (8.38 MHz) connection terminal.
42			
43	GND	-	GND terminal.
44	NC	-	Not in use.
45	ST ID	I	Stereo signal input. Stereo ("L")/monaural ("H").
46	A GND	-	A/D converter GND terminal.
47	S Meter	I	Electric field intensity (S meter) input (A/D conversion).
48	CW	I	CW (carrier) signal input (A/D conversion). Only when initial setting CW detection is enabled.
49	SD	I	Station enable detection signal input.
50	RSD ID	I	RDS station recognition signal input. RDS station ("L").
51	SK ID	I	ARI station SK signal input. SK-ON ("L").
52	DK ID	I	ARI station DK signal input. DK-ON ("L").
53	RDS IC DATA	I	RDS IC communication data input. The port is read directly at clock interrupt time.
54	NC	-	Not in use. (+ 5V pullup or GND)
55	AVDD	-	A/D converter supply power.
56	A VREF	I	A/D converter reference voltage input.
57	PLL DI	I	PLL IC serial communication data input. Takes in the IF count data.
58	PLL DO	O	PLL IC serial communication data output. Sets the frequency divider, general purpose port data, etc.
59	PLL CLK	O	PLL IC serial communication clock output. Clock frequency: 524 kHz.
60	PLL CE	O	PLL IC serial communication chip enable output.
61	NC	-	Not in use.
62	C-BUS SBI	I	C-BUS communication data input.
63	C-BUS SBO	O	C-BUS communication data output.
64	C-BUS SCK	I	C-BUS communication clock input. The clock frequency depends on the master microcomputer.

PARTS LIST:

Note) Several different parts listed in the column are alternative parts. One of those parts is used in the set.

OSWITCH PWB				QMAIN PWB			
REF NO.	PART NO.	DESCRIPTION	QTY	REF NO.	PART NO.	DESCRIPTION	QTY
C101,103	042-0397-00	CHIP-C 16V 1 μF TAN	2	X101	060-1009-00	CERA-RESONATOR*4.195MHz	1
C109	042-0406-01	CHIP-C 6.3V 47 μF TAN	1	C112,113	176-1011-00	CHIP-C 100pF	2
C110	042-0416-02	CHIP-C 10V 10 μF TAN	1	C111	176-2211-00	CHIP-C 220pF	1
IC101	051-6010-00	IC SED1526FOA	1	C114,115	178-1032-78	CHIP-C 0.01 μF	2
IC102	052-7006-01	IC μPD78058GC-038-3B9	1	C104-108	178-1042-78	CHIP-C 0.1 μF	5
IR101	060-0321-00	IR-RECEIVER	1				
D106,304,320	001-0330-00	DIODE 1SS119	3	C321	172-1041-11	POLY-C 0.1 μF	1
D101	001-0366-00	DIODE LTZMR15	1	C307	172-4731-11	POLY-C 0.047 μF	1
D301	001-0377-37	DIODE MA4068L	1	C121,347	172-6831-11	POLY-C 0.068 μF	2
D103,201	001-0377-47	DIODE MA4091M	2	C320,344	173-1021-11	POLY-C 1000pF	2
D319	001-0423-22	DIODE MA4075	1	C202,203,229,230	173-2221-11	POLY-C 2200pF	4
D305,307,315	001-0466-00	DIODE S5688B	3	C115-118,138,144	176-1011-00	CHIP-C 100pF	10
D104-108,202,306	001-0516-00	DIODE MA111	11	327,330,333,335			
312-314,317				C127	176-1501-00	CHIP-C 15pF	1
D102	001-0540-00	DIODE HVM187WK	1	C128	176-1801-00	CHIP-C 18pF	1
D318	001-0659-00	LED SLP-181B-51	1	C139,146,148,150	176-2211-00	CHIP-C 220pF	14
L102	010-2003-04	COIL*AM	1	279,326,328,334			
L101	010-2230-00	COIL*0.15 μH	1	336,337,340-343			
L103	010-2230-14	COIL*2.2 μH	1	C130	176-3311-00	CHIP-C 330pF	1
L104,105,201	010-2230-26	COIL*22 μH	3	C134	176-4701-00	CHIP-C 47pF	1
L106	010-2230-38	COIL*220 μH	1	C110	176-4711-00	CHIP-C 470pF	1
VR102,201,202	012-5123-06	VARIABLE-R*10K	3	C132,277,278	176-5611-00	CHIP-C 560pF	3
VR101	012-5123-15	VARIABLE-R*470K	1	C133	176-8201-00	CHIP-C 82pF	1
CCT101	050-0122-50	COMPONENT CIRCUIT*10k Ω	1	C304,313,314,329	178-1022-78	CHIP-C 1000pF	4
IC304	051-0160-56	IC HD74LS07FPD	1	C135,136,142,152	178-1042-78	CHIP-C 0.1 μF	9
IC203,204	051-0350-55	IC NJM4558M	2	153,236,274,324			
IC306	051-0869-05	IC MB3771PF(-G)	1	338			
IC305	051-1014-05	IC TA7291F	1	C120	178-1532-78	CHIP-C 0.015 μF	1
IC106,303	051-1046-46	IC LC3517BML-12	2	C237,275	178-1822-78	CHIP-C 1800pF	2
IC105,302	051-1051-05	IC TC74HC573AF	2	C101,102,111-113	178-2232-78	CHIP-C 0.022 μF	14
IC103	051-1819-00	IC SAA6579T	1	125,140,141,145			
IC307	051-3201-00	IC AN77L06	1	149,151,305,316			
IC202	051-5004-00	IC CXA1946Q	1	332			
IC201	051-5200-90	IC CXA1332M	1	C241,271	178-2722-78	CHIP-C 2700pF	2
IC101	051-6201-00	IC LC72146M	1	C123	178-3332-78	CHIP-C 0.033 μF	1
IC104	052-1301-10	IC μPD78014GC-641-AB8	1	C114	178-4722-78	CHIP-C 4700pF	1
IC301	052-3318-01	IC μPD78058GC-046-3B9	1	C315	178-4732-78	CHIP-C 0.047 μF	1
SUP101	060-0122-10	SURGE PROTECTOR*DSP-201	1	C126	042-0452-01	ELEC-C 10V 220 μF	1
X301	060-0266-90	CERA-RESONATOR*4.19MHz	1	C317	042-0458-06	ELEC-C 10V 22 μF	1
X103	060-0320-50	CERA-RESONATOR*8.38MHz	1	C312	042-0467-00	D-LAYER-C 5.5V 0.1F	1
X101	061-1066-00	CRYSTAL*7.2MHz	1	C204,226	042-0537-00	ELEC-C 50V 0.56 μF	2
X102	061-3013-00	CRYSTAL-QSC*4.33MHz	1	C124,263,310,322	183-1053-61	ELEC-C 50V 1 μF	6
Q110,111,308	100-1162-00	TR 2SA1162	3	323,346			
Q306	100-1298-00	TR 2SA1298	1	C201,206,210,239	183-1063-31	ELEC-C 16V 10 μF	15
Q312	101-1237-00	TR 2SB1237	1	242,243,245,248			
Q313	101-1243-00	TR 2SB1243	1	249,259,265,269			
Q302,304,305,307	102-2712-00	TR 2SC2712	5	270,272,319,325			
317				C228	183-1073-21	ELEC-C 10V 100 μF	1
Q106,107	102-2712-51	TR 2SC2712G,L	2	C129	183-2253-61	ELEC-C 50V 2.2 μF	1
Q104,201,202	103-1306-00	TR 2SD1306	9	C137,345	183-2263-31	ELEC-C 16V 22 μF	2
204-207,321,322				C205,227	183-3343-61	ELEC-C 50V 0.33 μF	2
Q203,315,323	103-1802-60	TR 2SD1802FA-RSTU	3	C122,207-209,225	183-4753-51	ELEC-C 35V 4.7 μF	11
Q109	108-0241-50	FET 2SK241	1	244,247,250,267			
Q105,320	125-0002-06	TR RN2406	2	268,311			
Q101,102,103,108	125-2004-03	TR RN1403	8	C119,131	183-4763-11	ELEC-C 6.3V 47 μF	2
112,301,316,324				C231,262,306	183-4763-31	ELEC-C 16V 47 μF	3
Q303,318,319	125-2004-06	TR RN1406	3	C238,276	183-6843-62	ELEC-C 50V 0.68 μF	2
R342	032-0108-00	FUSE-R 1/4W 1.8 Ω	1	C318	184-4773-32	ELEC-C 16V 470 μF	1
R355	114-1001-11	FILM-R 1W 10 Ω	1				

ED VIEW • PARTS LIST:

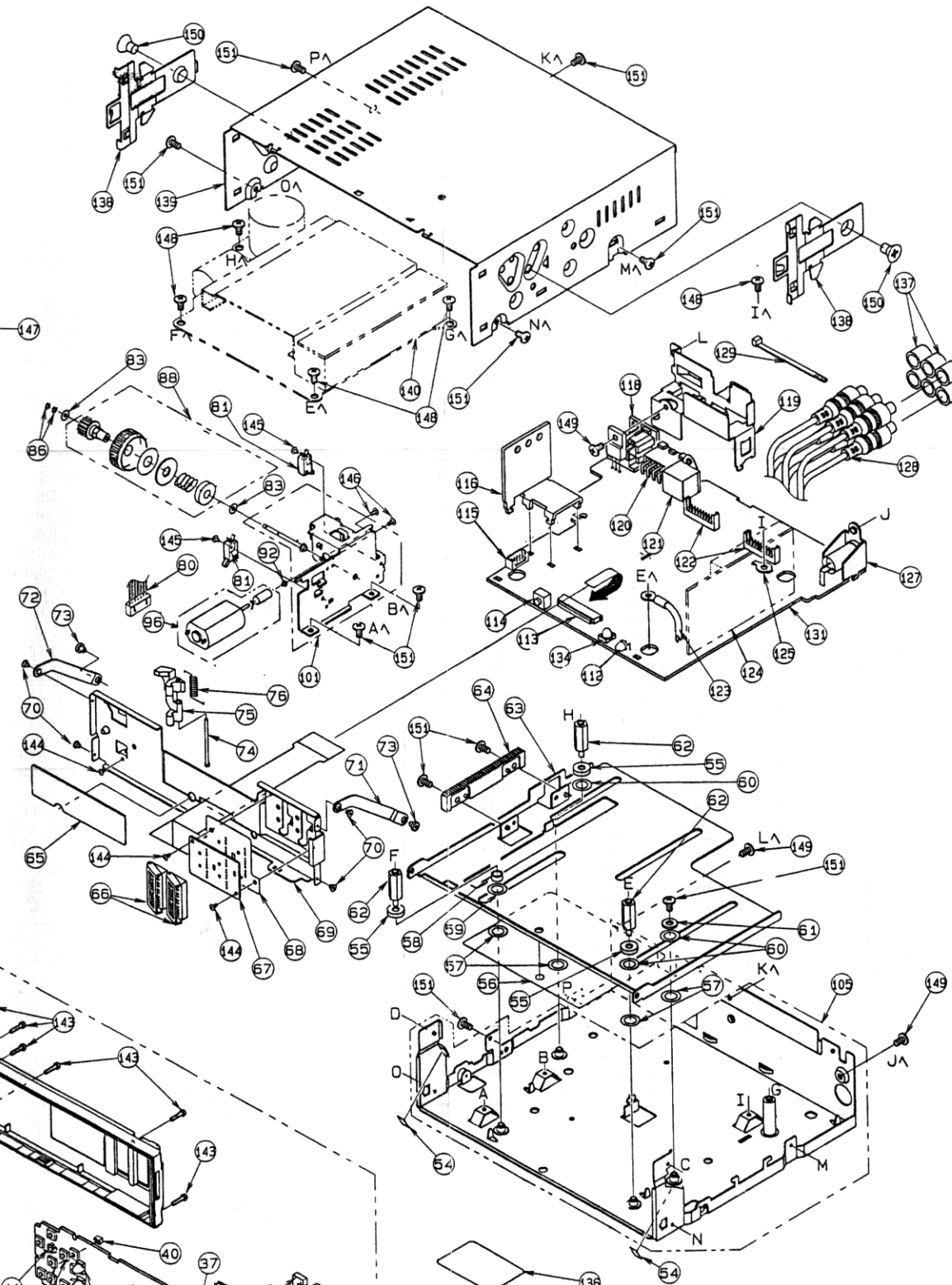
EXPLODED

NO.	DESCRIPTION	Q'TY
74-01	Dial cover	1
34-00	Badge	1
35-00	Button (RELEASE)	1
36-00	Push plate	4
72-00	Spring	4
49-00	Spring	1
87-20	Spring holder	1
39-00	Rear cover	1

REF NO.	PART NO.	DESCRIPTION	Q'TY
1	373-07	732A DCP ass'y	1
2	378-01	04-00 Escutcheon ass'y	1
3	382-76		
4	335-48		
5	750-31		
6	750-31		
7	331-05		
8	335-48		
9	940-1		
10	940-77		

NO.	DESCRIPTION	Q'TY
385-00	Knob ass'y	1
380-00	LCD cover	1
325-71	Indicator	1
346-00	Rubber connector	1
338-00	Film	1
340-00	Film	1
342-00	Illumi plate	1
339-00	Reflector	1

REF NO.	PART NO.	DESCRIPTION	Q'TY
24	947-0	356-30 Plug (DCP 10P)	2
28	331-0	370-00 Switch P.W.B.	1
29	379-1		
30	345-7		
31	347-5		
32	347-5		
33	335-4		
34	347-5		
35	076-0		
37	039-0		



REF NO.	PART NO.	DESCRIPTION	Q'TY
56	347-4082-00	Insulator	1
57	745-0640-00	Washer	4
58	340-4340-00	Roller	1
59	746-0887-00	Washer	1
60	746-0623-01	Washer	3
61	340-4348-00	Spacer	1
62	340-4339-00	Spacer	3
63	683-0062-00	Slide plate	1
64	613-0326-00	Gear (SLIDE)	1
65	291-0072-00	Sticker	1
66	074-1021-10	Outlet socket	2
67	039-0370-00	Connector P.W.B.	1
68	039-0371-00	FPC	1
69	331-0576-00	DCP holder	1
70	716-1715-00	Screw	4
71	331-0577-00	Lever (RIGHT)	1
72	331-0578-00	Lever (LEFT)	1
73	716-1724-00	Screw	2
74	341-1593-00	Shaft	1
75	335-4841-00	Hook	1
76	750-3177-00	Spring	1
80	854-3852-00	Extension lead	1
81	013-3757-00	Switch	2
82	621-0034-01	Thrust holder	1
83	745-0646-00	Washer	2
85	013-3880-00	Switch	1
86	743-1500-20	E-ring	2
88	960-4409-00	T load gear ass'y	1
96	948-0355-00	Motor ass'y	1
101	946-0054-00	Gear box ass'y	1
105	946-0053-00	Lower case ass'y	1
112	001-0659-00	Diode	1
113	074-1082-22	Outlet socket	1
114	013-3932-00	Switch (RESET)	1
115	076-0312-07	Plug	1
116	331-0639-00	IC holder	1
118	074-1022-01	Outlet socket (13P C-BUS)	1
119	331-0579-00	Connector holder	1
120	074-1023-08	Outlet socket (8P POWER)	1
121	074-1081-08	Outlet socket (8P N-BUS)	1
122	076-0509-09	Plug	2
123	840-0531-00	Bonding wire	1
124	880-2075B	FM, AM, LW tuner	1
125	073-0731-00	Terminal	1
127	092-9000-00	ANT recept	1
128	855-8000-04	RCA pin code (RCA 6CH)	1
129	335-0833-01	Lead holder	1
131	039-0471-00	Main P.W.B.	1
134	017-0433-50	Pilot lamp (14V 40mA)	1
136	286-8367-00	Setplate	1
137	345-3799-00	Rubber parts	6
138	750-2796-01	Spring (SIDE)	2
139	310-1564-00	Upper case	1
140	930-0738-80	Tape mech.	1
142	716-0778-00	Wave screw	6
143	716-1721-00	P-tight screw	6
144	738-1725-17	Precision screw	3
145	716-0670-01	Screw	2
146	716-0882-00	Motor screw	2
147	702-2008-81	Tap screw	1
148	716-0878-00	IT-screw	5
149	714-3006-80	Machine screw	3
150	714-5008-41	Machine screw	2
151	714-2604-80	Machine screw	13
152	716-1726-00	Screw	1

REF NO.	PART NO.	DESCRIPTION	Q'TY
40	013-7202-50	Switch (DCP)	1
41	013-6501-52	Switch (TACT)	1
42	013-6501-51	Switch	22
43	017-0438-55	Pilot lamp (4V-150mA)	4
46	060-0321-90	IR receiver (RS-21)	1
48	940-7708-00	Escutcheon ass'y (INNER)	1
50	750-2626-00	Spring	1
51	320-0442-23	Dustproof cover	1
54	347-5142-00	Film	2
55	340-4341-00	Spacer	3