

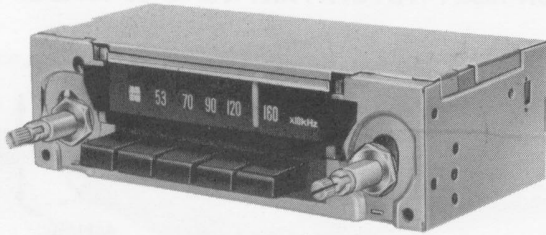
**CAR RADIO
CAR STEREO**

SERVICE MANUAL

CUSTOM-MADE FOR TOYOTA CARINA

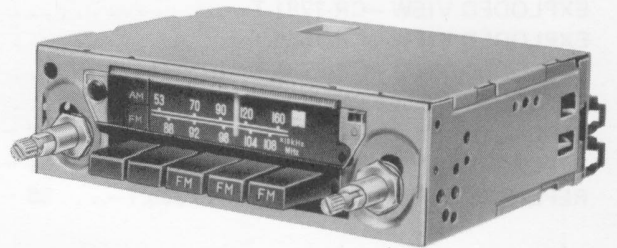
**AM 5-PUSHBUTTON
SOLID STATE CAR RADIO**

R252



**TOYOTA PART NO. 86120-14080-B
MODEL CR-1281.T**

**AM/FM 5-PUSHBUTTON
SOLID STATE CAR RADIO**



**TOYOTA PART NO. 86120-14110-B
MODEL CR-1555.T**

**CAR STEREO CASSETTE TAPE PLAYER
with AUTOMATIC REVERSING**



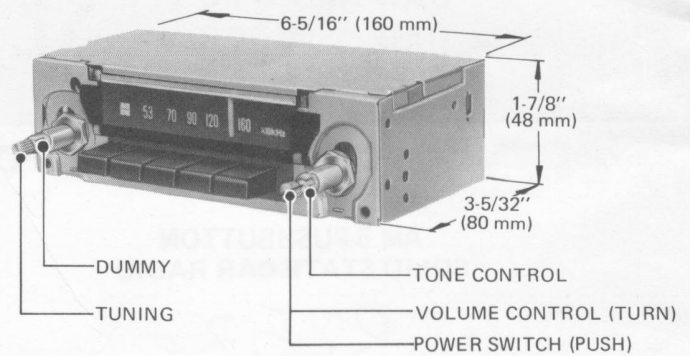
**TOYOTA PART NO. 86260-14100-A
MODEL CX-7335.T**

CONTENTS

	Page
DIMENSIONS AND LOCATION OF CONTROLS . . .	1, 2
SPECIFICATIONS	1, 2
FEATURES	2
PARTS LOCATION	3 ~ 5
SCHEMATIC DIAGRAM —CR-1281.T—	6
WIRING DIAGRAM —CR-1281.T—	7
SCHEMATIC DIAGRAM —CR-1555.T—	8
WIRING DIAGRAM —CR-1555.T—	9
SCHEMATIC DIAGRAM —CX-7335.T—	10
WIRING DIAGRAM —CX-7335.T—	11
ALIGNMENT INSTRUCTIONS OF CAR RADIO . . .	12, 13
ADJUSTMENTS OF CAR STEREO TAPE PLAYER .	14
IC EQUIVALENT CIRCUIT	15
INSTALLATION INSTRUCTIONS	16 ~ 23
EXPLODED VIEW —CR-1281.T—	24
EXPLODED VIEW —CR-1555.T—	25
EXPLODED VIEW —CX-7335.T— (UNIT)	26
EXPLODED VIEW —CX-7335.T— (TAPE DECK) .	27
REPLACEMENT PARTS LIST —CR-1281.T— . .	28 ~ 30
REPLACEMENT PARTS LIST —CR-1555.T— . .	31 ~ 35
REPLACEMENT PARTS LIST —CX-7335.T— . .	36 ~ 40

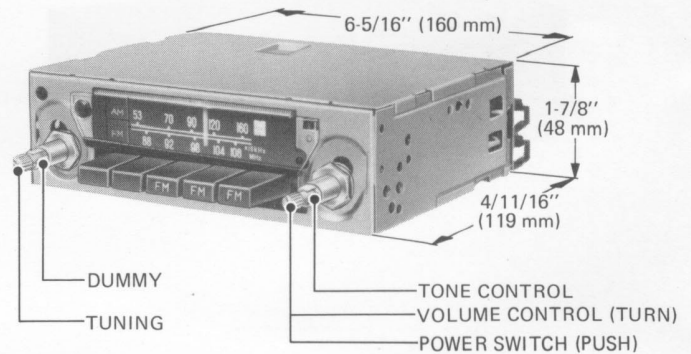
DIMENSIONS AND LOCATION OF CONTROLS

■ CR-1281.T (TOYOTA PART NO. 86120-14080-B)



- Shaft Spacing: 4-7/8" (124 mm)

■ CR-1555.T (TOYOTA PART NO. 86120-14110-B)



- Shaft Spacing: 4-7/8" (124 mm)

SPECIFICATIONS*

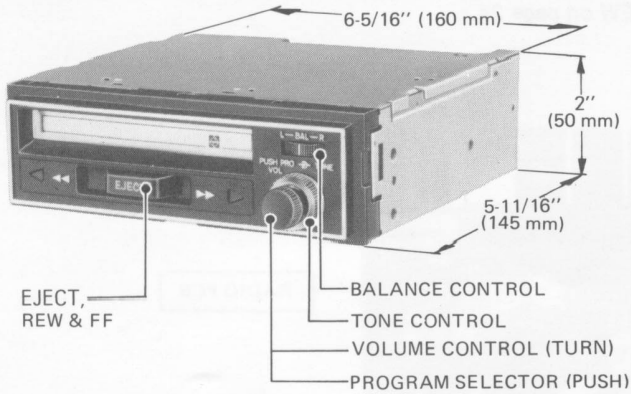
	CR-1281.T	CR-1555.T
Frequency Range:	AM 530 ~ 1605 kHz	AM 530 ~ 1605 kHz FM 88 ~ 108 MHz
Intermediate Frequency:	AM 450 kHz	AM 450 kHz FM 10.7 MHz
Sensitivity:	AM 26 dB/μV (at 0.5 W output, DC 13.2 V)	AM 26 dB/μV FM 18 dB/μV for S/N 10 dB quieting 28 dB/μV for S/N 30 dB quieting (at 0.5 W output, DC 13.2 V)
Power Output:	Continuous; 5.0 W (at 10% THD) Maximum; 5.5 W (Volume at max. & Tone in the treble) (Conditions; at 400 Hz, 4 Ω load, DC 13.2 V)	5.0 W (at 10% THD) 5.5 W (Volume at max. & Tone in the treble)
Power Supply Voltage:	DC 12 V (11 ~ 16 V), Negative Ground	DC 12 V (11 ~ 16 V), Negative Ground
Power Consumption:	Approx. 8 W (0.6 A at 0.5 W output, DC 13.2 V)	Approx. 8 W (0.6 A at 0.5 W output, DC 13.2 V)
Speaker Impedance:	4 Ω (See "Car Radio Speaker Impedance")	4 Ω (See "Car Radio Speaker Impedance")
IC's	2	3
Transistors:	—	4
Diodes:	2	7
Dimensions**:	Width; 6-5/16" (160 mm) Height; 1-7/8" (48 mm) Depth; 3-5/32" (80 mm)	Width; 6-5/16" (160 mm) Height; 1-7/8" (48 mm) Depth; 4-11/16" (119 mm)
Weight**:	2.0 lbs (0.9 kg)	2.4 lbs (1.1 kg)

* Specifications subject to change without notice.

** Dimensions and Weight shown are approximate.

*** Chromium-dioxide tape and C-120 tape are not recommended for this tape player.

■ CX-7335.T (TOYOTA PART NO. 86260-14100-A)



FEATURES

[COMMON]

- Custom-made for TOYOTA CARINA.
- DC 12 V, Negative ground.

[CR-1281.T]

- AM 5-pushbutton and manual tuning car radio with 4-7/8" (124 mm) pitched shafts.
- Sensitive superheterodyne system using one-chipped IC on AM circuit.
- Easy-to-adjust antenna trimmer.

[CR-1555.T]

- AM/FM 5-pushbutton and manual tuning car radio with 4-7/8" (124 mm) pitched shafts.
- Sensitive superheterodyne system with one-chipped IC on AM circuit, and with 1 RF stage and 2 IF stages (IC and CF) amplifier on FM.
- A. F. C. (Automatic Frequency Control)
- A. G. C. (Automatic Gain Control)
- Easy-to-adjust antenna trimmer.

[CX-7335.T]

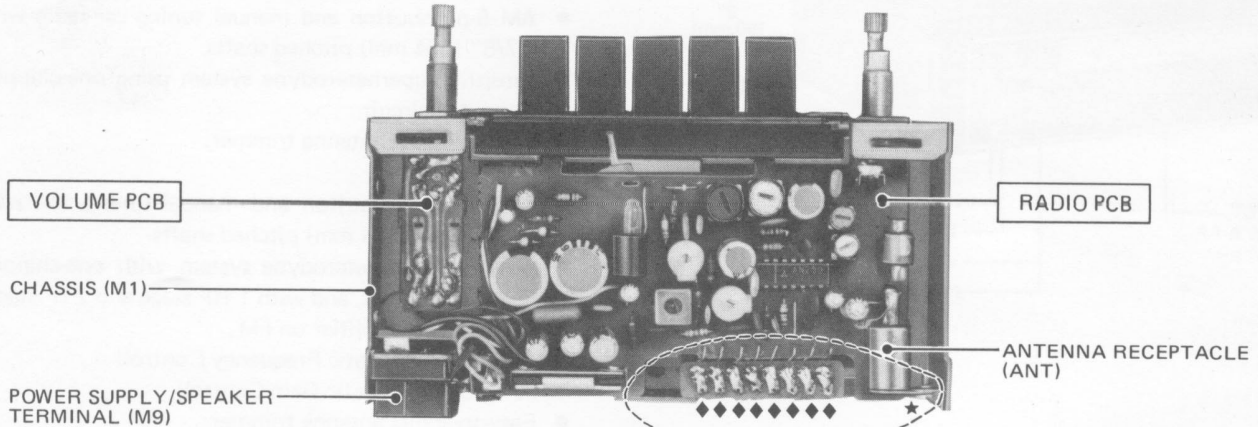
- 4-track, 2-program automatic reversing cassette car stereo tape player.
- Stereophonic reproduction.
- Fast Forward/Fast Rewinding.
- Automatic reversing at the tape end.
- Manual eject.
- Manual program selection with pilot lamps.
- Easy adjustable take-up torque without a torque meter.

CX-7335.T***	
Type:	4-Track, 2-Program Stereo System
Tape Speed:	1-7/8 ips (4.76 cps)
Frequency Response:	50 ~ 12,000 Hz
Power Output:	
Continuous;	2 x 4.5 W (at 10% THD)
Maximum;	2 x 5.0 W (Volume at Max. and Tone in the treble)
(Conditions; at 400 Hz, 4 Ω load, 13.2 V DC)	
Power Supply Voltage:	DC 12 V (11 ~ 16 V), Negative Ground
Power Consumption:	Approx. 8 W (0.6 A at 0.5 W output, DC 13.2 V)
Speaker Impedance:	4 Ω
Wow & Flutter:	0.5%
Crosstalk:	30 dB
Signal to Noise Ratio:	35 dB
Stereo Separation:	25 dB (at 400 Hz)
IC's:	4
Transistors:	3
Diodes:	4
Dimensions**:	Width; 6-5/16" (160 mm) Height; 2" (50 mm) Depth; 5-11/16" (145 mm)
Weight**:	3.0 lbs (1.4 kg)

Car Radio Speaker Impedance

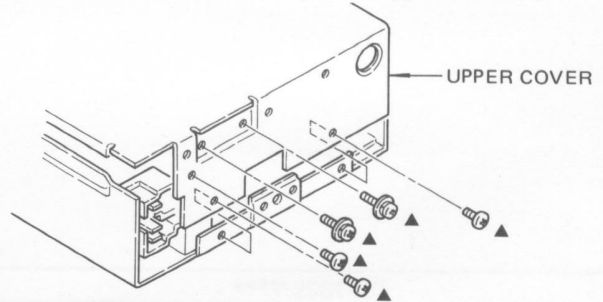
When the car radio is operated at installing both car radio and tape player, two speakers (which are used for right channel and left channel when operating the tape player) are connected in parallel by the tape/radio selector switch of the tape player. And in this case the speaker impedance is 2 Ω.

- Reference Numbers in () are listed in the Replacement Parts List, starting on page 28.
- For other parts location, see the EXPLODED VIEW on page 24.

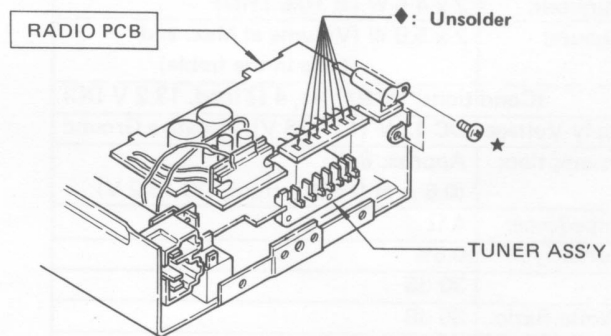


[REMOVING PROCEDURE]

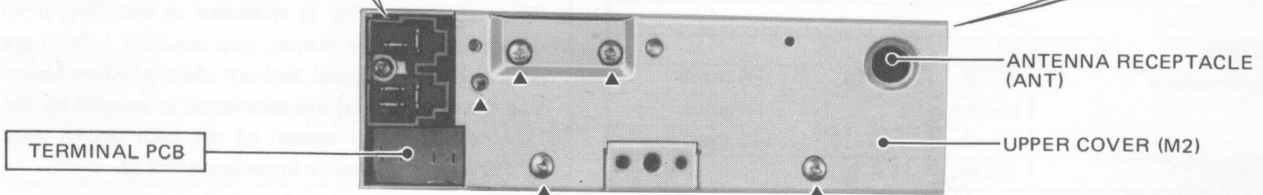
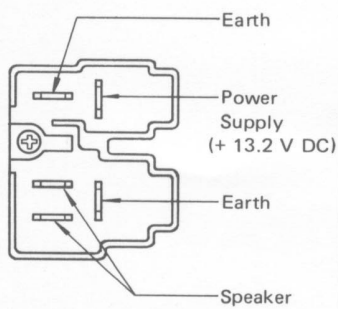
1. The upper cover can be removed by removing 5 screws (▲).



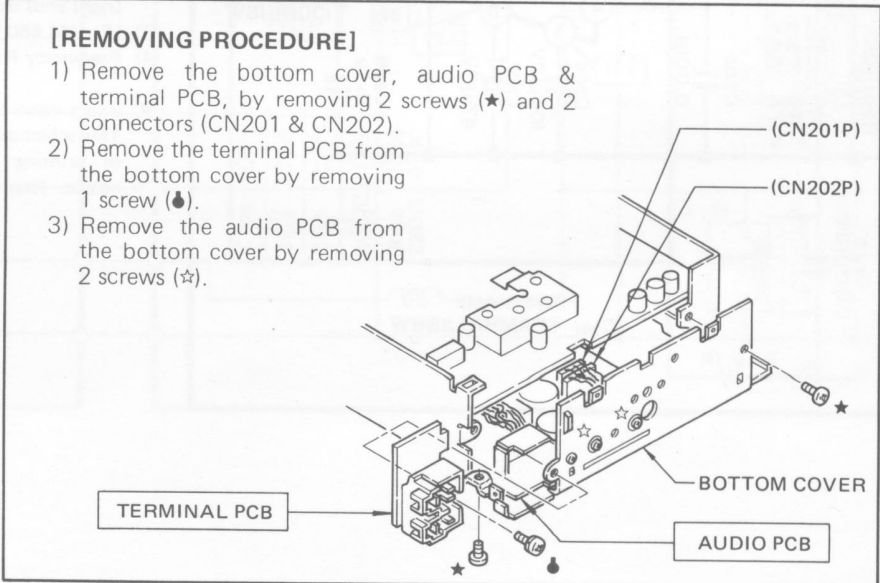
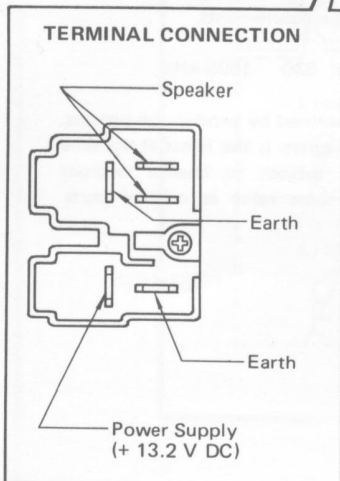
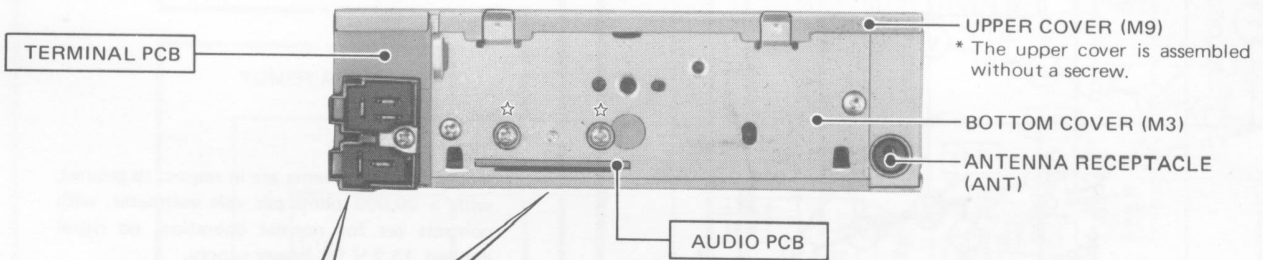
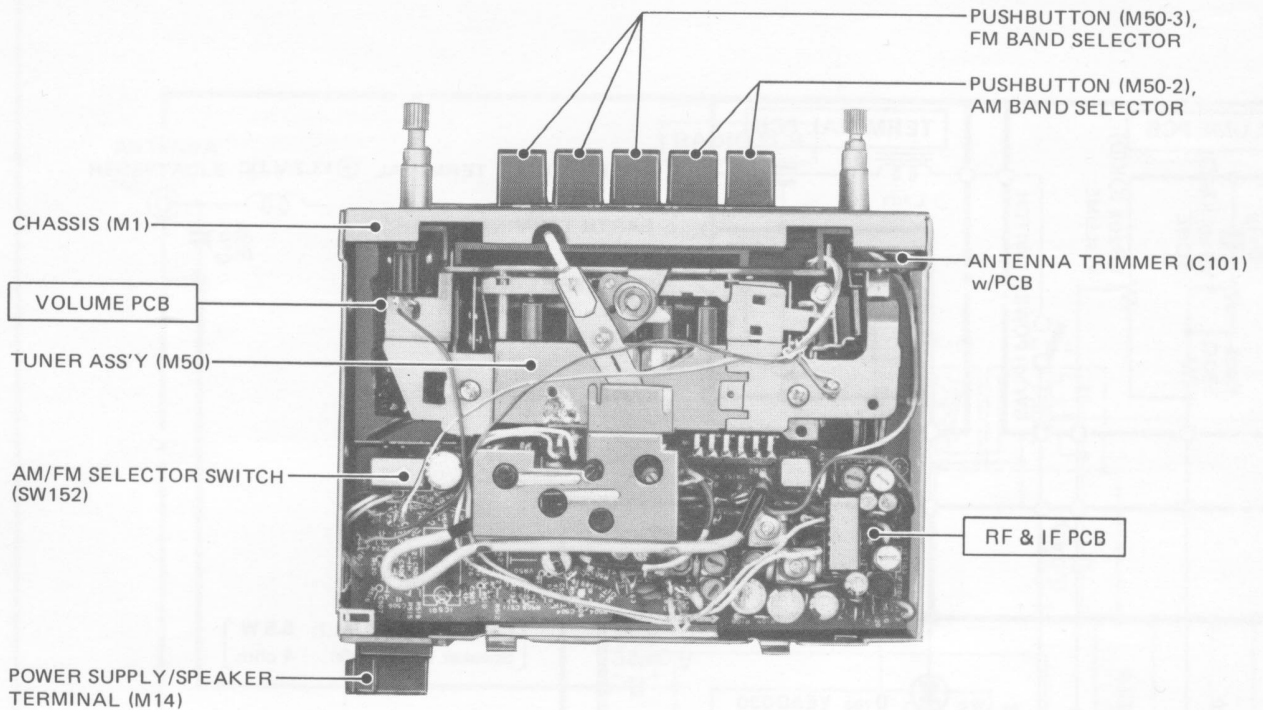
2. The radio PCB can be removed by removing 1 screw (★) and unsoldering at 8 points (◆) between the PCB and the tuner ass'y.



[TERMINAL CONNECTION]

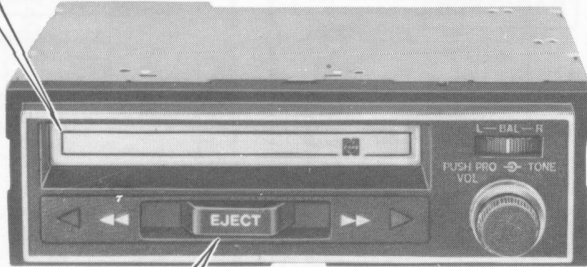


- Reference Numbers in () are listed in the Replacement Parts List, starting on page 31.
- For other parts location, see the EXPLODED VIEW on page 25.

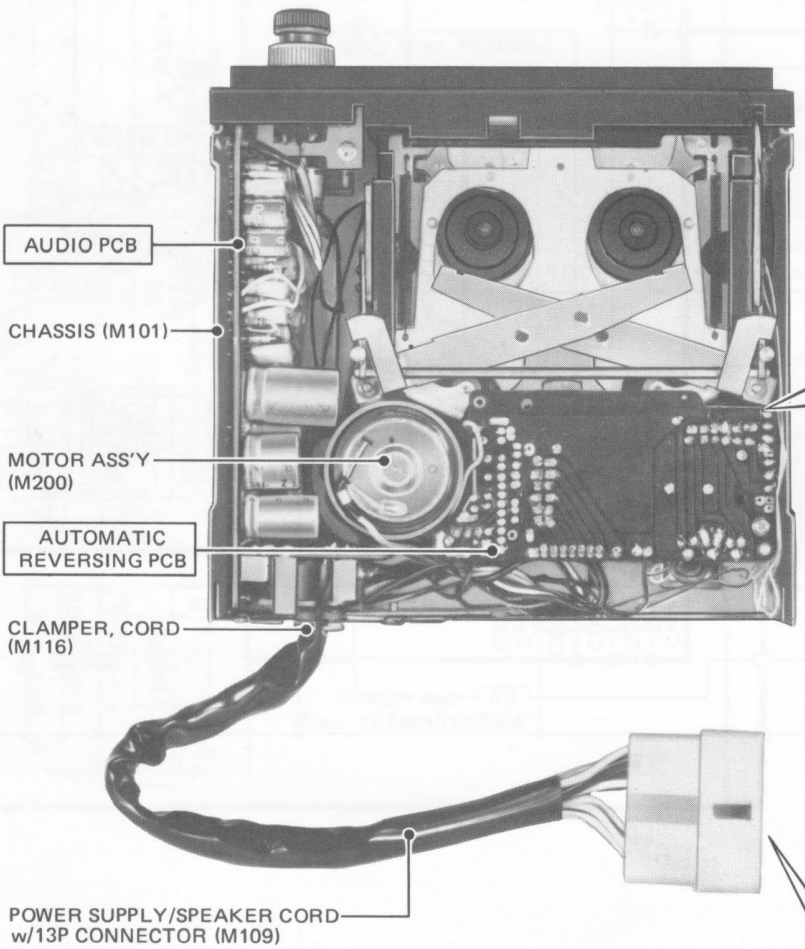


- Reference Numbers in () are listed in the Replacement Parts List, starting on page 36.
- For other parts location, see the EXPLODED VIEWS on page 26 & 27.

Insert a cassette tape, and the tape player is started by the tape radio selector switch of the tape player when the radio operating or not using.

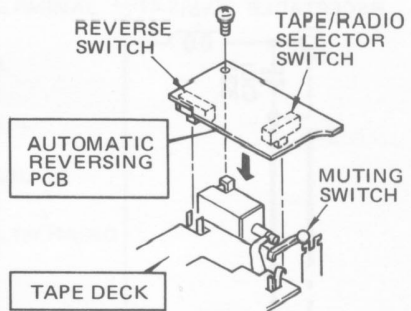


Insertion of a cassette tape is stuck out the EJECT lever. And slide the lever to the tape running direction, and the tape player is changed to the Fast Forward operation, or against the direction, the palyer to the Rewind operation. Push it, the palyer to the Eject operation.

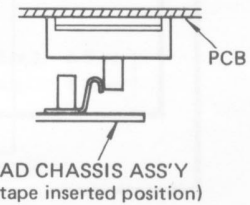


RE-INSTALLING AUTOMATIC REVERSING PCB

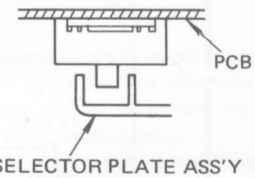
When re-installing the automatic reversing PCB to the tape deck, make sure that the reverse switch and tape/radio selector switch are set in the proper position.



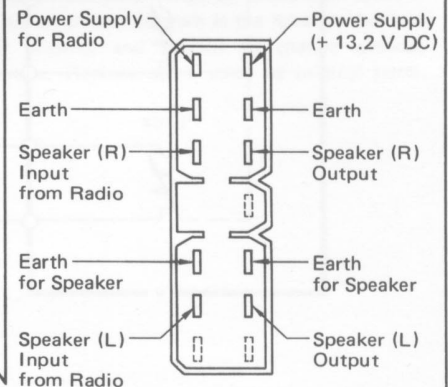
Proper Position of Tape/Radio Selector Switch



Proper Position of Reverse Switch



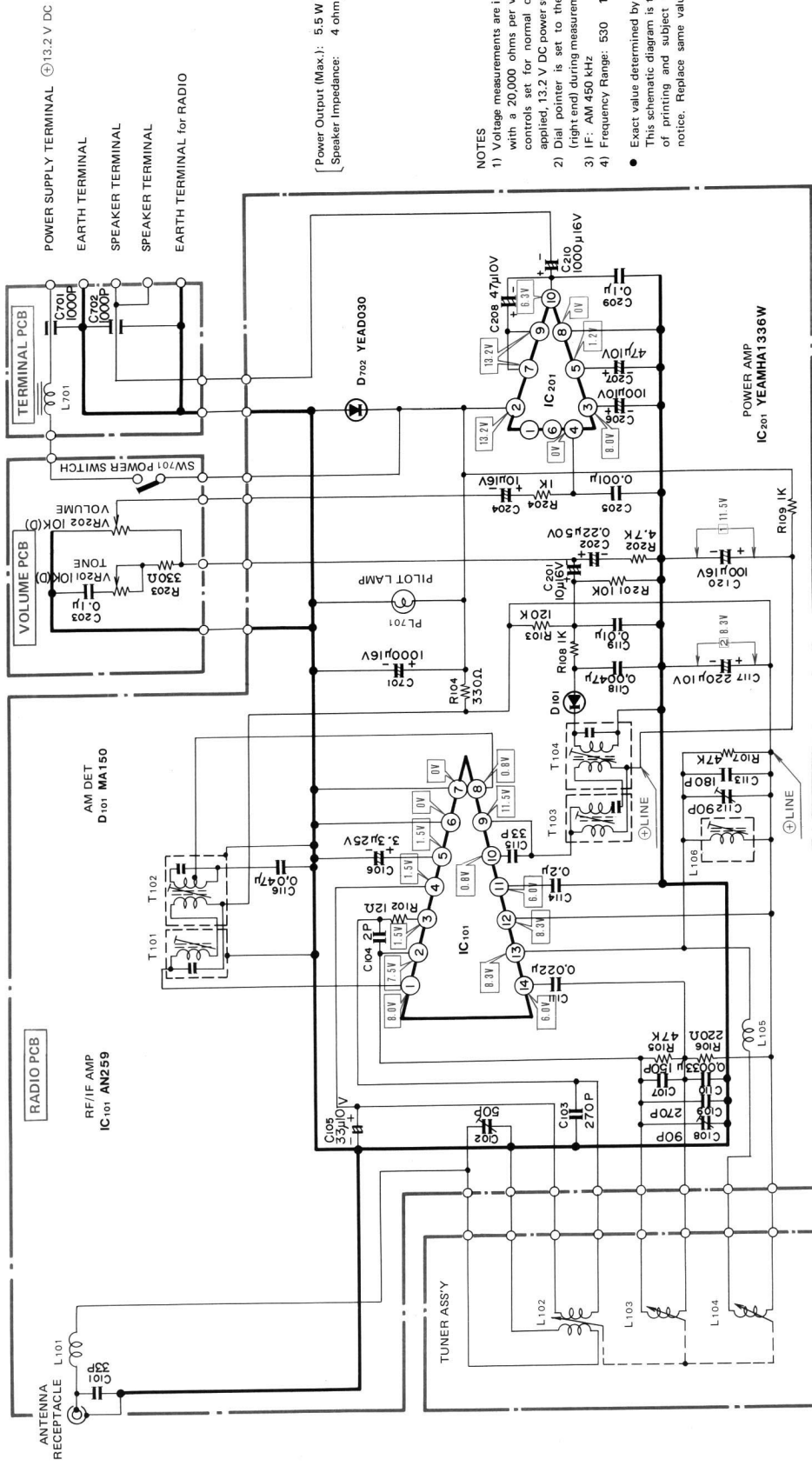
CONNECTOR CONNECTION



NOTE: Refer to WIRING DIAGRAM on page 11 for details.

SCHEMATIC DIAGRAM

TOYOTA PART NO. 86120-14080-B
CR-1281.T



[Power Output (Max.): 5.5 W
Speaker Impedance: 4 ohm]

NOTES

- 1) Voltage measurements are in respect to ground, with a 20,000 ohms per volt voltmeter, with controls set for normal operation, no signal applied, 13.2 V DC power supply.
Dial pointer is set to the highest frequency (right end) during measurements.
 - 2) IF: AM 450 kHz
 - 3) IF: AM 450 kHz
 - 4) Frequency Range: 530 1605 kHz
- Exact value determined by production process. This schematic diagram is the latest at the time of printing and subject to change without notice. Replace same value as original parts.

The Negative Side is shown in Blue.

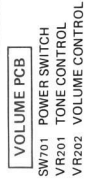
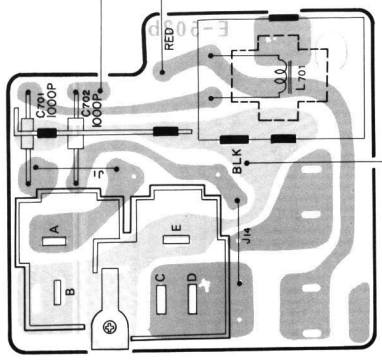
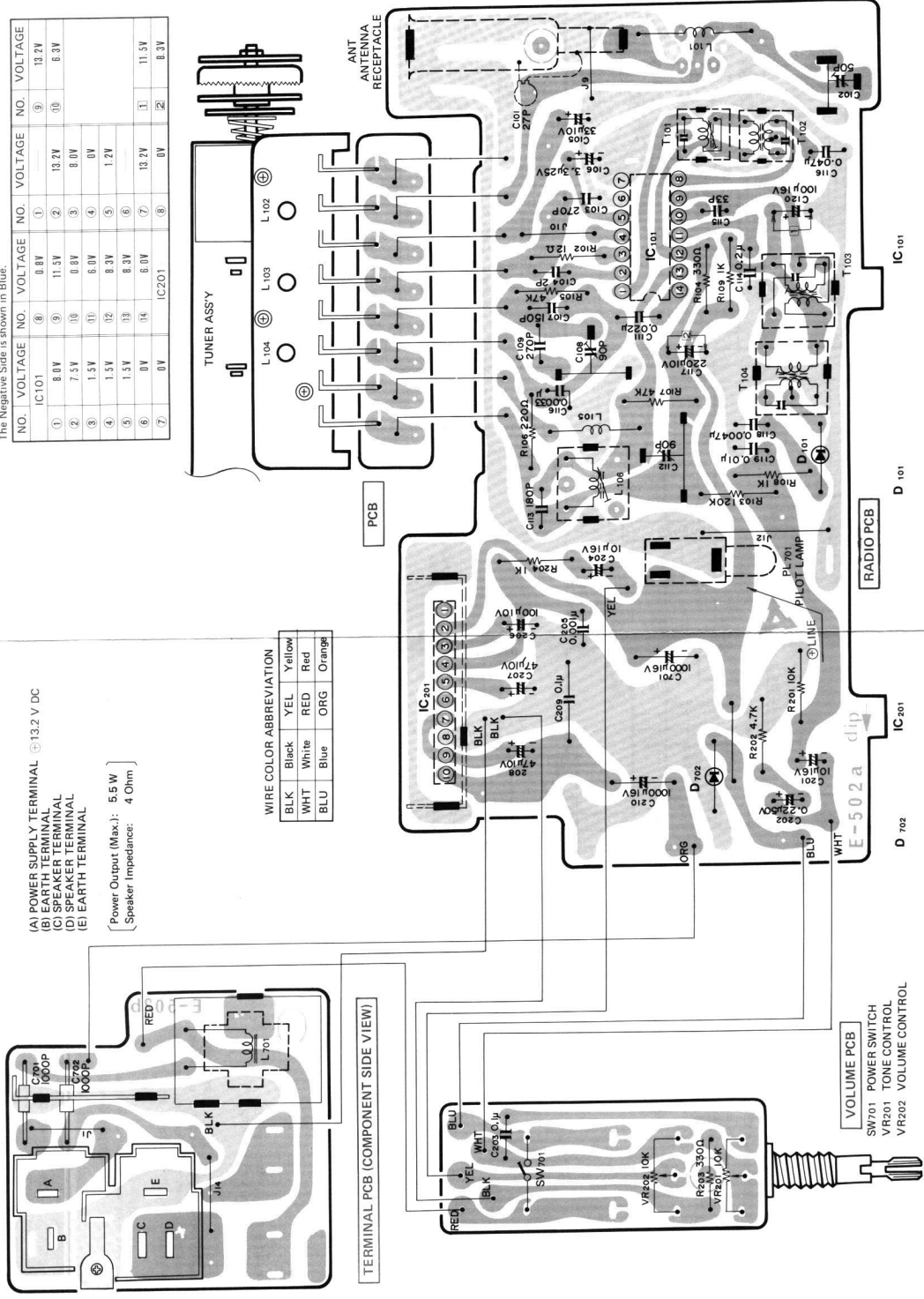
NO.	VOLTAGE	NO.	VOLTAGE	NO.	VOLTAGE	NO.	VOLTAGE
1	8.0V	9	11.5V	2	13.2V	10	6.3V
2	7.5V	10	0.8V	3	8.0V		
3	1.5V	11	6.0V	4	0V		
4	1.5V	12	8.3V	5	1.2V		
5	1.5V	13	8.3V	6			
6	0V	14	6.0V	7	13.2V	1	11.5V
7	0V	IC201		8	0V	2	8.3V

- (A) POWER SUPPLY TERMINAL ① 13.2V DC
- (B) EARTH TERMINAL
- (C) SPEAKER TERMINAL
- (D) SPEAKER TERMINAL
- (E) EARTH TERMINAL

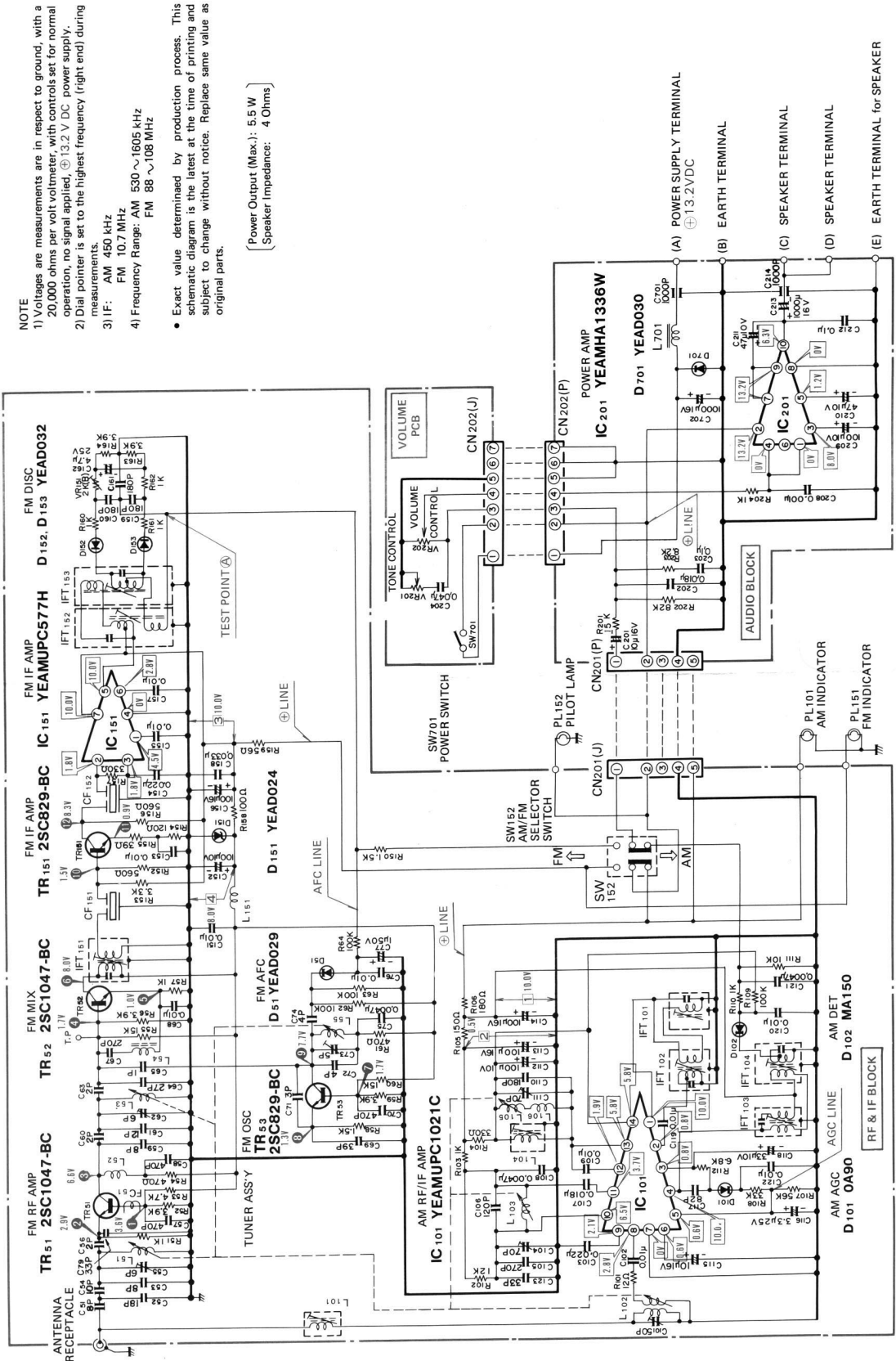
Power Output (Max.): 5.5W
Speaker Impedance: 4 Ohm

WIRE COLOR ABBREVIATION

BLK	Black	YEL	Yellow
WHT	White	RED	Red
BLU	Blue	ORG	Orange



SCHEMATIC DIAGRAM



NOTE

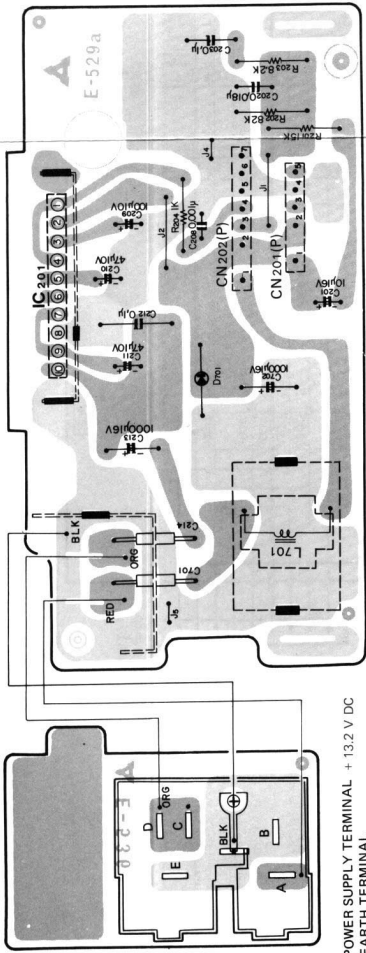
- 1) Voltages are measurements are in respect to ground, with a 20,000 ohms per volt voltmeter, with controls set for normal operation, no signal applied, ⊕ 13.2 V DC power supply.
 - 2) Dial pointer is set to the highest frequency (right end) during measurements.
 - 3) IF: AM 450 kHz
FM 10.7 MHz
 - 4) Frequency Range: AM 530 ~ 1605 kHz
FM 88 ~ 108 MHz
- Exact value determined by production process. This schematic diagram is the latest at the time of printing and subject to change without notice. Replace same value as original parts.

{ Power Output (Max): 5.5 W
Speaker Impedance: 4 Ohms }

- (A) POWER SUPPLY TERMINAL ⊕ 13.2VDC
- (B) EARTH TERMINAL
- (C) SPEAKER TERMINAL
- (D) SPEAKER TERMINAL
- (E) EARTH TERMINAL for SPEAKER

WIRING DIAGRAM

TOYOTA PART NO. 86120-14110-B
CR-1555.T



- (A) POWER SUPPLY TERMINAL +13.2 V DC
- (B) EARTH TERMINAL
- (C) SPEAKER TERMINAL
- (D) SPEAKER TERMINAL
- (E) EARTH TERMINAL for SPEAKER

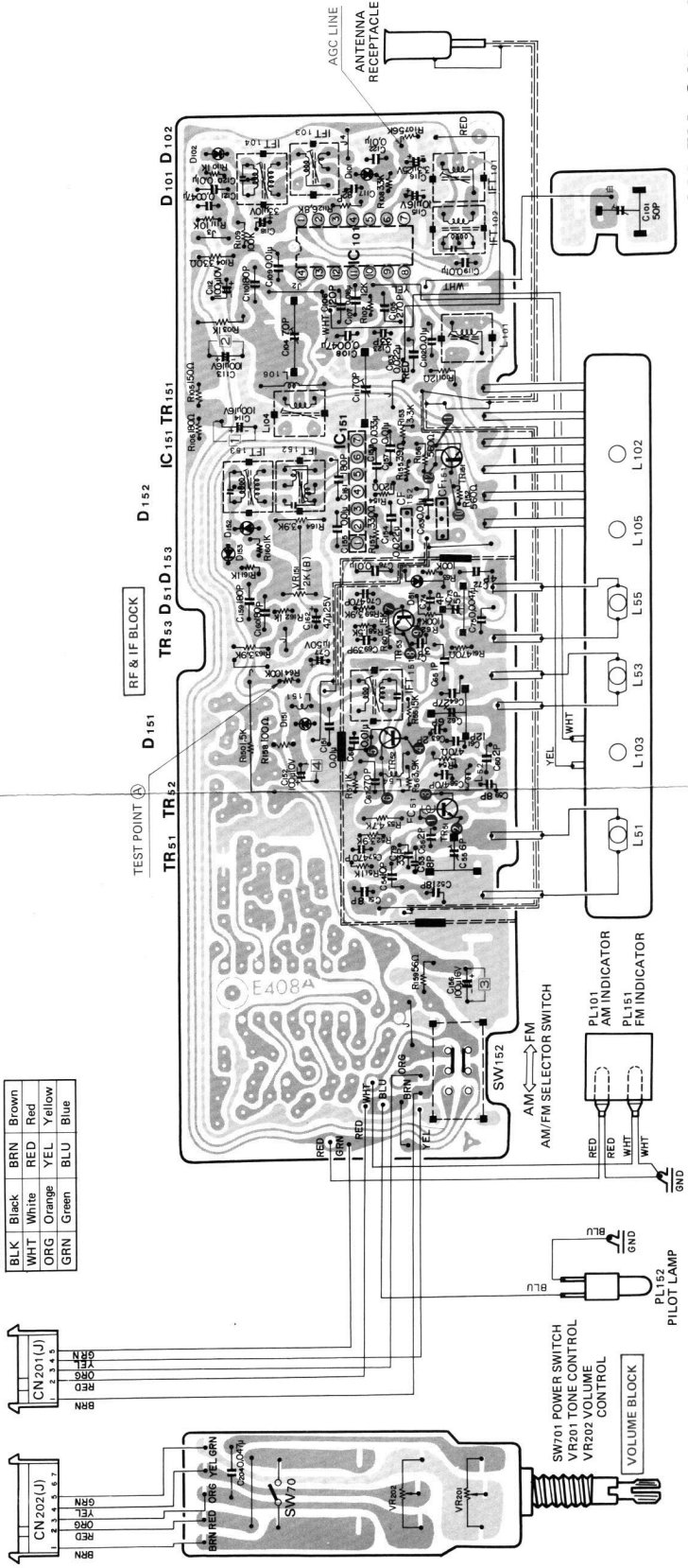
TERMINAL BLOCK (COMPONENT SIDE VIEW)

Power Output (Max.): 5.5 W
Speaker Impedance: 4 Ohms

WIRE COLOR	ABBREVIATION
BLK	Black
BRN	Brown
WHT	White
ORG	Orange
GRN	Green
BLU	Blue

NO.	VOLTAGE	NO.	VOLTAGE
1	3.6V	10	0.8V
2	2.9V	11	0.8V
3	6.6V	12	10.0V
4	1.7V	13	0.8V
5	1.0V	14	0.8V
6	8.0V	15	0.8V
7	1.7V	16	2.7V
8	1.3V	17	2.1V
9	7.7V	18	6.5V
10	1.5V	19	3.7V
11	0.9V	20	1.9V
12	0.9V	21	3.0V
13	8.3V	22	4.9V
14	8.3V	23	10.0V
15	4.5V	24	11.0V
16	1.8V	25	2.8V
17	3.4V	26	10.0V
18	3.0V	27	8.5V
19	4.9V	28	0.3V
20	10.0V	29	1.3V
21	10.0V	30	8.0V

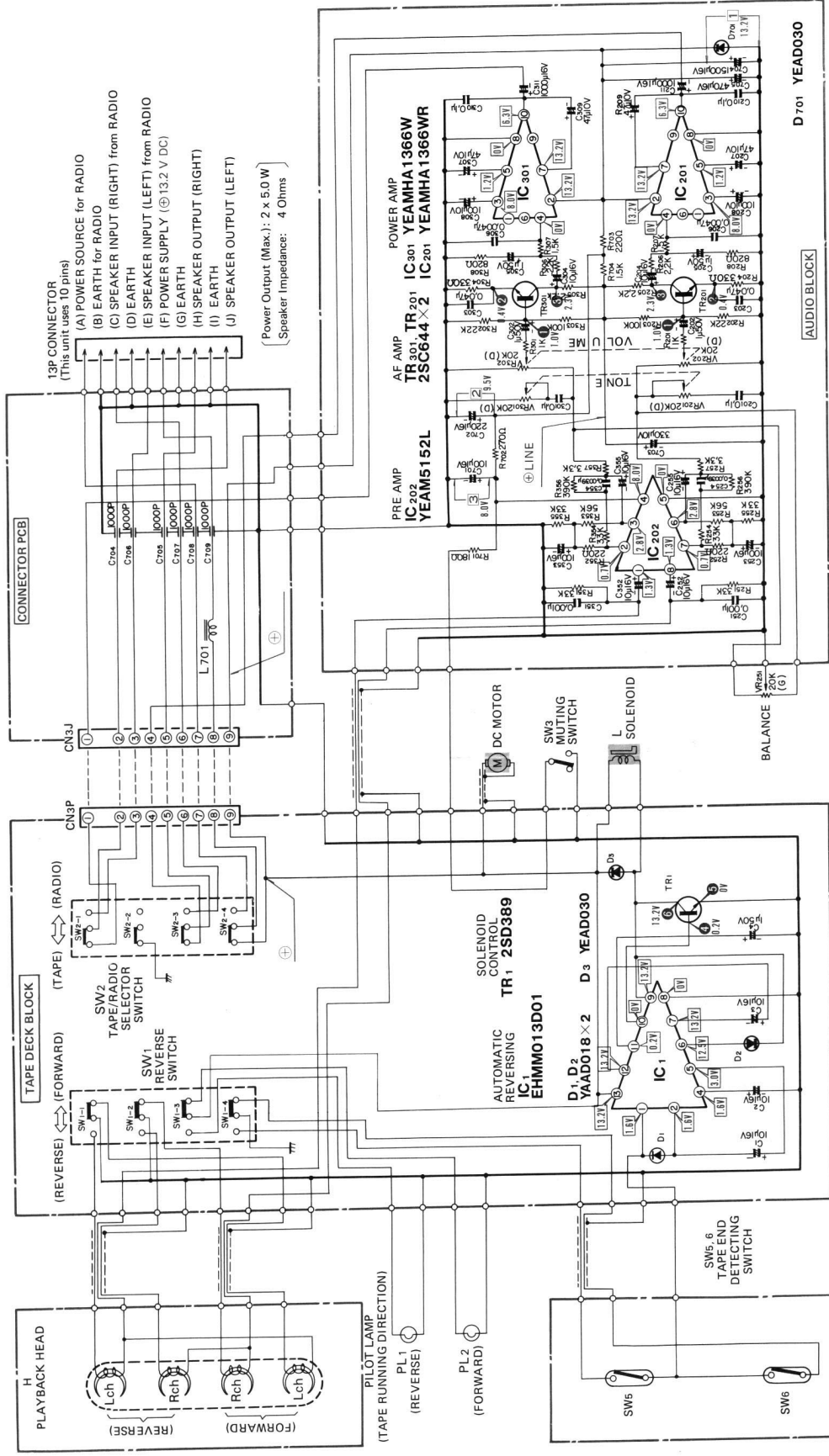
The Negative Side is shown in Blue.



AM/FM CAR RADIO

SCHEMATIC DIAGRAM

TOYOTA PART NO. 86260-14100-A
CX-7335.T



- 13P CONNECTOR
(This unit uses 10 pins)
- (A) POWER SOURCE for RADIO
 - (B) EARTH for RADIO
 - (C) SPEAKER INPUT (RIGHT) from RADIO
 - (D) EARTH
 - (E) SPEAKER INPUT (LEFT) from RADIO
 - (F) POWER SUPPLY (±13.2 V DC)
 - (G) EARTH
 - (H) SPEAKER OUTPUT (RIGHT)
 - (I) EARTH
 - (J) SPEAKER OUTPUT (LEFT)

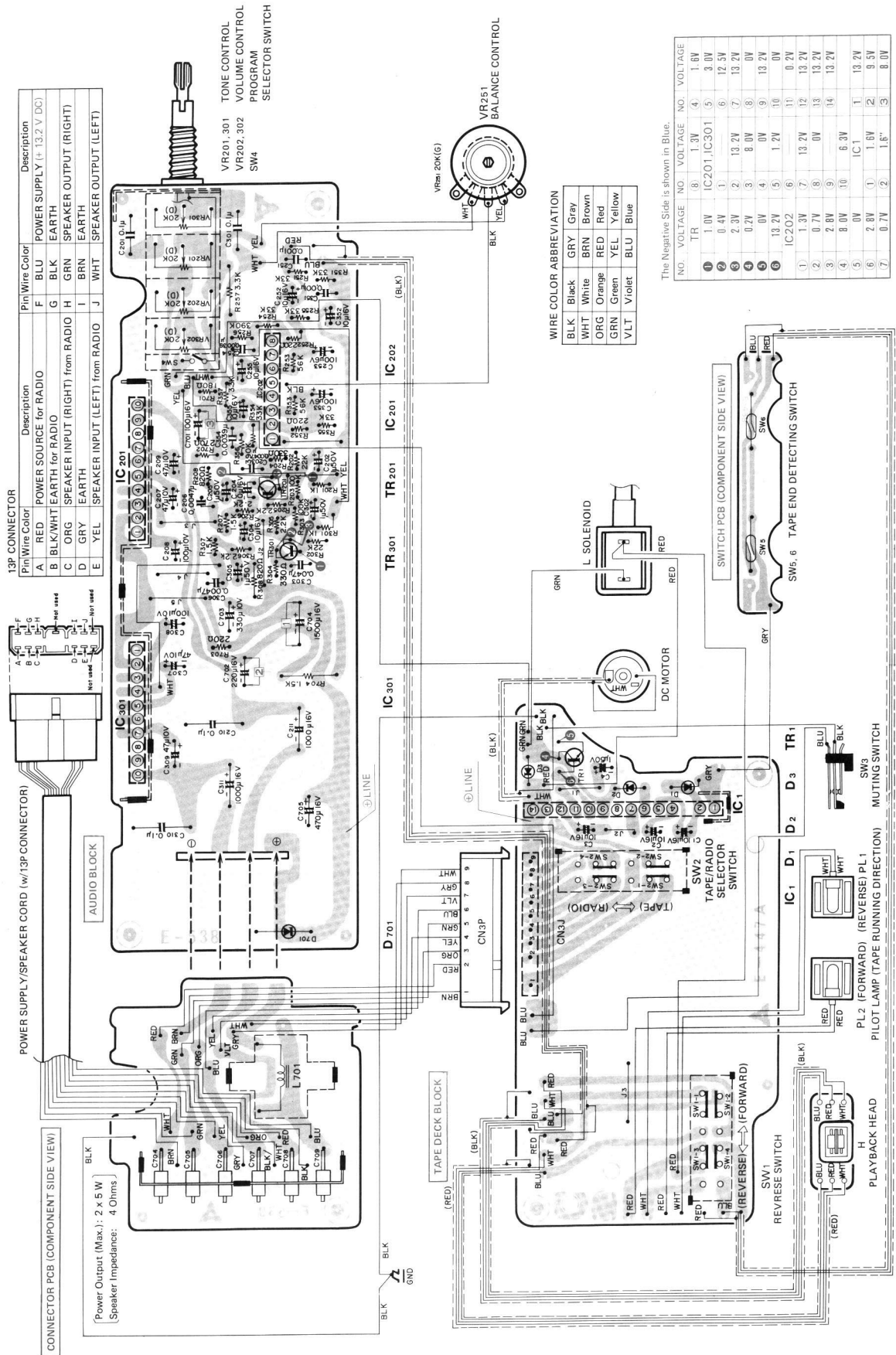
Power Output (Max.): 2 x 5.0 W
Speaker Impedance: 4 Ohms

The shaded area on this schematic diagram incorporates special features important for SAFETY. When servicing it is essential that only manufacturer's specified parts be used to replace these critical components.

Note:
1) Voltage measurements are in respect to ground, with 20,000 Ω/V voltmeter, with controls set for normal operation, no signal applied, under 13.2 V DC power supply.

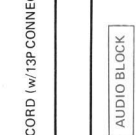
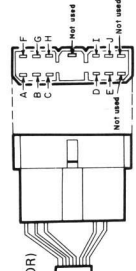
WIRING DIAGRAM

TOYOTA PART NO. 86260-14100-A
CX-7335.T

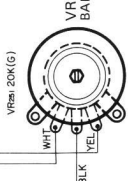


13P CONNECTOR

Pin	Wire Color	Description
A	RED	POWER SOURCE for RADIO
B	BLK/WHT	EARTH for RADIO
C	ORG	SPEAKER INPUT (RIGHT) from RADIO
D	GRY	EARTH
E	YEL	SPEAKER INPUT (LEFT) from RADIO
F	BLU	POWER SUPPLY (+13.2 V DC)
G	BLK	EARTH
H	GRN	SPEAKER OUTPUT (RIGHT)
I	BRN	EARTH
J	WHT	SPEAKER OUTPUT (LEFT)



VR201, 301
VR202, 302
SW4
TONE CONTROL
VOLUME CONTROL
PROGRAM
SELECTOR SWITCH



WIRE COLOR ABBREVIATION

BLK	Black	GRY	Gray
WHT	White	BRN	Brown
ORG	Orange	RED	Red
GRN	Green	YEL	Yellow
VLT	Violet	BLU	Blue

The Negative Side is shown in Blue.

NO.	VOLTAGE	NO.	VOLTAGE	
TR	8	1.3V	4	1.6V
1	1.0V	IC201, IC301	5	3.0V
2	0.4V	1	6	12.5V
3	2.3V	2	7	13.2V
4	0.2V	3	8	0V
5	0V	4	9	13.2V
6	13.2V	5	10	0V
IC202	6	1.3V	11	0.2V
1	0.7V	8	0V	13.2V
2	2.8V	9	0V	13.2V
3	8.0V	10	6.3V	13.2V
4	2.8V	IC1	1	13.2V
5	0V	2	1.6V	9.5V
6	2.8V	3	1.6V	8.0V
7	0.7V	4	1.6V	8.0V

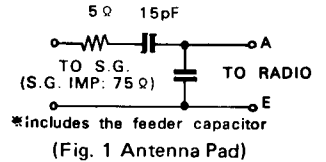
ALIGNMENT INSTRUCTIONS OF CAR RADIO

■ EQUIPMENT REQUIRED

- Signal Generator: AM 450 ~ 1700 kHz, 400 Hz Mod. @ 30%
FM 10.7 MHz, 86 ~ 110 MHz, 400 Hz Mod. @ 30%
- Sweep Generator: 450 kHz, 10.7 MHz
- Antenna Pad: Refer to Fig 1 and Fig. 3.
- Indicator: Outputmeter (AC Voltmeter or VTVM)
Oscilloscope
- Power Source Voltage: DC 13.2 V (standard voltage for measurement)

AM (I-F & RF) ALIGNMENT (Both CR-1281.T and CR-1555.T)

- Set Volume control at maximum and Tone Control in the treble position.
- Set Band Selector Switch in the AM position. (CR-1555.T)
- Connect the signal generator to the antenna receptacle through the antenna pad (Fig. 1).
- Keep the signal generator output low enough to prevent overloading the circuits.



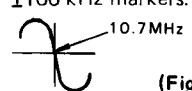
	STEP	GENERATOR FREQUENCY	RADIO-DIAL SETTING	SIGNAL FEED POINT	INDICATOR CONNECTION	ADJUST		REMARKS
						CR-1281.T	CR-1555.T	
AM	I F	① ~ ④ 450 kHz [Un-modulated or 400 Hz Mod.]	Point of non-interference (on/about 600 kHz)	Through the pad (Fig. 1) to antenna receptacle	Output meter across speaker terminals.	T104	IFT104	Adjust for maximum.
						T101	IFT101	
	R F	⑤ 505 kHz [400 Hz Mod.]	Low freq. end stop.	"	"	L106 (OSC)	L104 (OSC)	"
		⑥ 1640 Khz [400 Hz Mod.]	High freq. end stop.	"	"	C112 (OSC)	C111 (OSC)	"
	⑦, ⑧ 1400 kHz [400 Hz Mod.]	Tune to signal	"	"	C108 (RF) C102 (ANT)	C104 (RF) C101 (ANT)	"	

- When radio is installed in car, antenna fully extended, tune in a weak station near 1400 kHz and adjust C102 (CR-1281.T) or C101 (CR-1555.T) for maximum output.
- Refer to the ANTENNA TRIMMER ALIGNMENT, page 23.
- Repeat steps, two or three times.

FM (I-F & RF) ALIGNMENT (Only CR-1555.T)

● FM I-F ALIGNMENT USING SIGNAL GENERATOR AND SWEEP GENERATOR

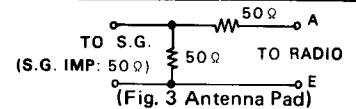
- Volume and Tone Controls may be left in any position.
- Set Band Selector Switch in the FM position.
- Connect the signal generator to the antenna receptacle through the antenna pad (Fig. 3).
- Keep the signal generator output low enough to prevent overloading the circuits.

	STEP	GENERATOR FREQUENCY	RADIO-DIAL SETTING	SIGNAL FEED POINT	INDICATOR CONNECTION	ADJUST	REMARKS
FM I F	⑨	10.7 MHz	Point of non-interference.	Through the pad (Fig. 3) to antenna receptacle.	Vert. amp. of scope to Test Point (A), low side to ground.	IFT151	Adjust for maximum amplitude and proper linearity between ± 100 kHz markers.  (Fig. 2)
	⑩, ⑪	"	"	"	"	IFT152 IFT153	

- Repeat steps, two or three times.

● FM RF ALIGNMENT

- Set Volume Control at maximum, and Tone Control in the treble position.
- Set Band Selector Switch in the FM position.
- Connect the signal generator to the antenna receptacle through the antenna pad (Fig. 3).
- Keep the signal generator output low enough to prevent overloading the circuits.



	STEP	GENERATOR FREQUENCY	RADIO-DIAL SETTING	SIGNAL FEED POINT	INDICATOR CONNECTION	ADJUST	REMARKS
FM R F	⑫	86.0 MHz [400 Hz Mod.]	Low freq. end stop.	Through the pad (Fig. 3) to antenna receptacle.	Output meter across speaker terminals.	C73 (OSC)	● Adjust for maximum. ● Repeat steps, two or three times.
	⑬, ⑭	98.0 MHz [400 Hz Mod.]	Tune to signal.	"	"	C62 (RF) C55 (ANT)	

- In step ⑫, adjust lower frequency at 86.0 MHz, The upper frequency will be within 108 ~ 110 MHz, because of design characteristics. It is non-adjustable.

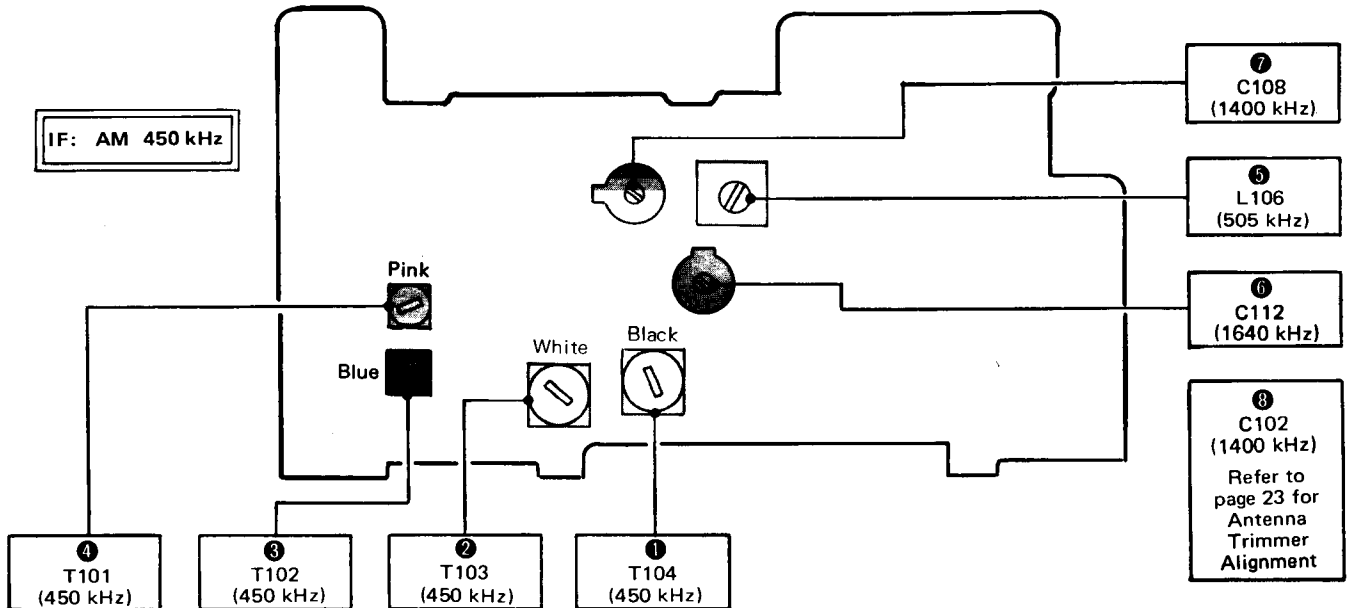
NOTE: Test Point (A) is the point between C159 and C160.

DETECTOR ALIGNMENT (Only CR-1555.T) USING SIGNAL GENERATOR

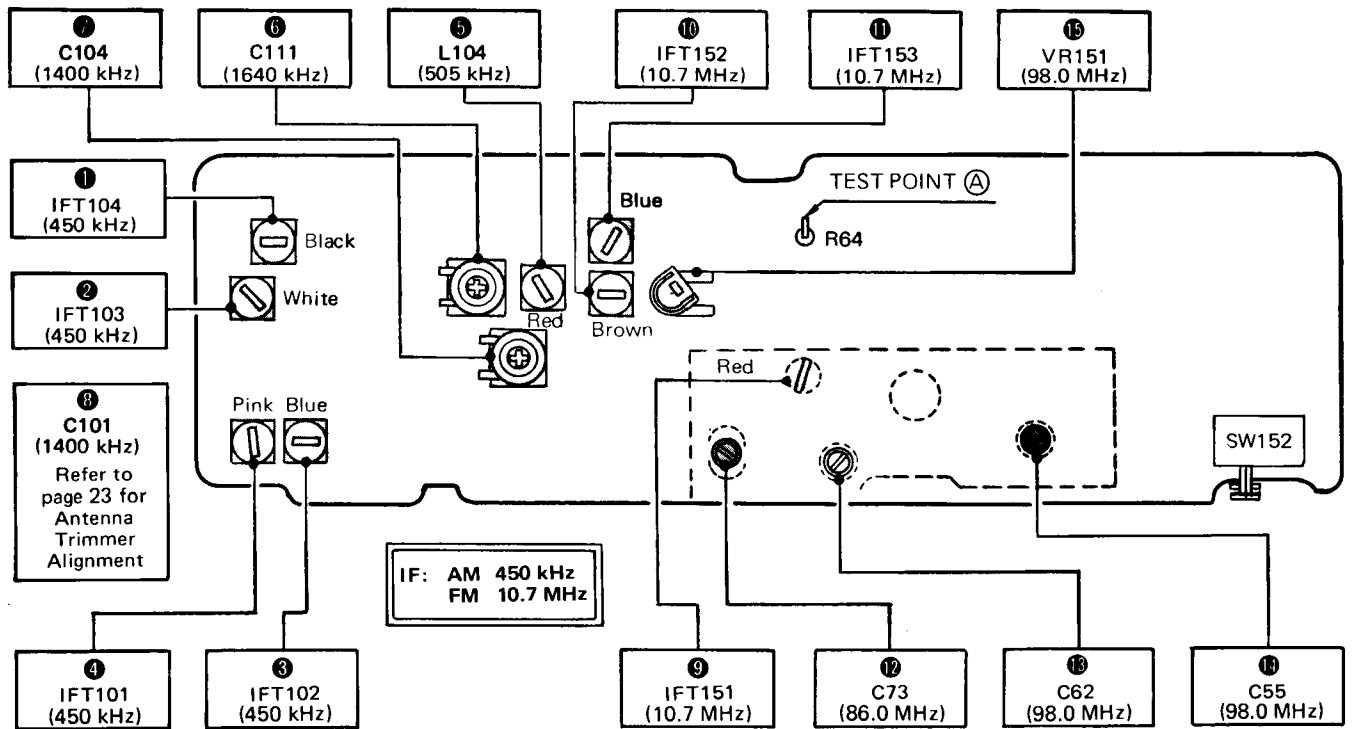
- Set Band Selector Switch in the FM position.
- Connect the signal generator to the antenna receptacle through the antenna pad (Fig. 3).
 AM/FM Signal Generator: Modulation Level; FM 400 Hz 30% @ 22.5 kHz
 Signal Generator Output Level; 20 dB/μV
 Signal Generator Frequency; 98 MHz
- Firstly apply FM Modulation Signal and set the radio-dial and Volume Control to 0.5 W output position.

STEP	GENERATOR FREQUENCY	INDICATOR	ADJUST	REMARKS
●	98.0 MHz [AM Mod.]	VTVM to Left or Right speaker terminals.	VR151	Change the modulation of the signal generator to AM, 1000 Hz 30%. Adjust VR151 for minimum.

.....ALIGNMENT POINT..... [CR-1281.T – RADIO PCB]



[CR-1555.T – RF & IF PCB]



■ Numbers in ● are indicated ALIGNMENT STEPS.

ADJUSTMENTS OF CAR STEREO TAPE PLAYER

HEAD AZIMUTH ADJUSTMENT

Head adjustment may be required for cases of crosstalk, poor high frequency response, or if the head has been replaced.

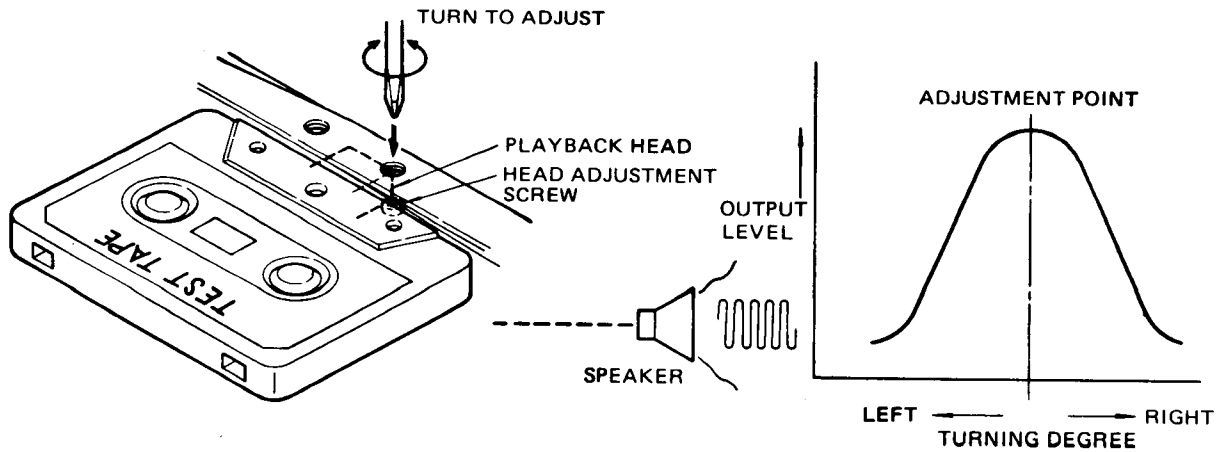
1) When test tape is available.

Insert a cassette test tape, set the program to proper track, and adjust the azimuth adjustment screw for

maximum output from the speakers.

2) When test tape is not available.

Insert a music cassette tape (music containing treble is recommended), and rotate the azimuth adjustment screw for maximum treble.

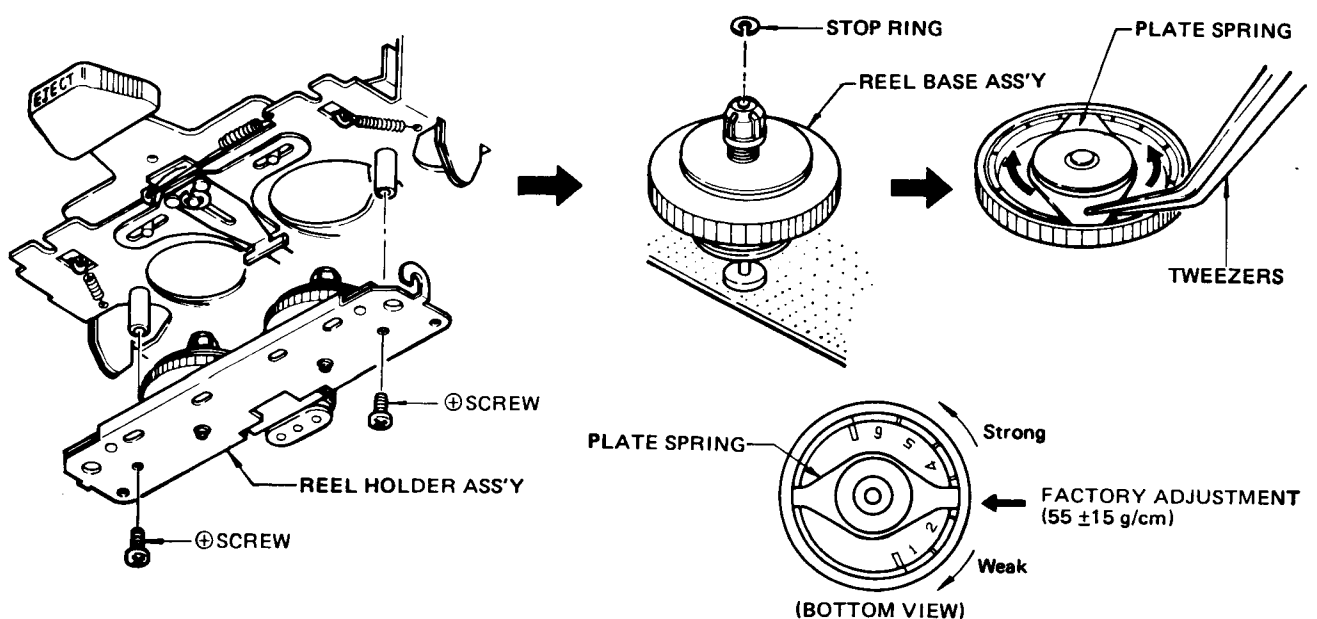


TAKE-UP TORQUE ADJUSTMENT

This automatic reversing tape deck can be adjusted take-up torque as follows.

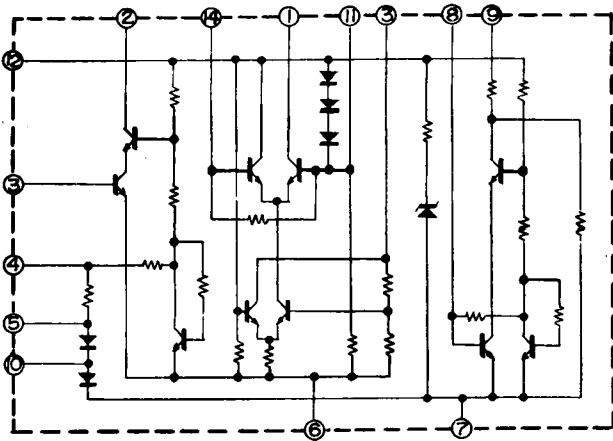
PROCEDURE:

- 1) Take off reel holder ass'y from chassis ass'y by removing two screws.
- 2) Remove stop ring and lift up reel base ass'y.
- 3) Turn plate spring position to desired torque by tweezers.
- 4) To reassemble, reverse above procedure.

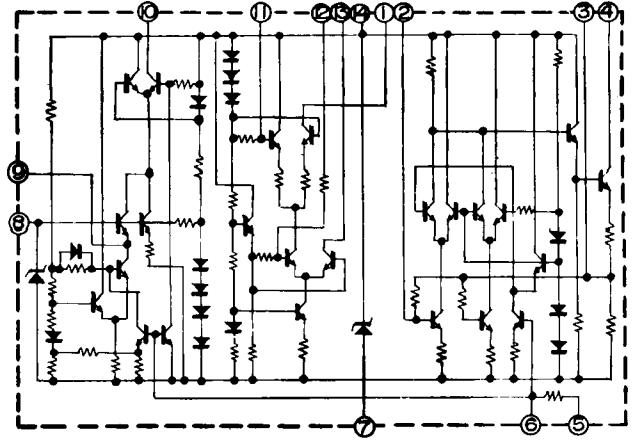


IC EQUIVALENT CIRCUIT

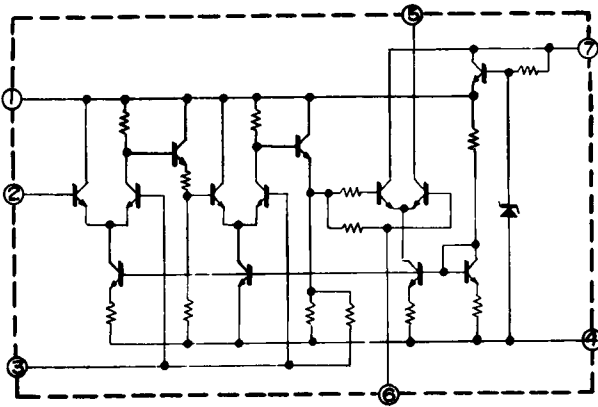
- AN259 (AM RF/IF Amplifier)
- CR-1281.T – IC101



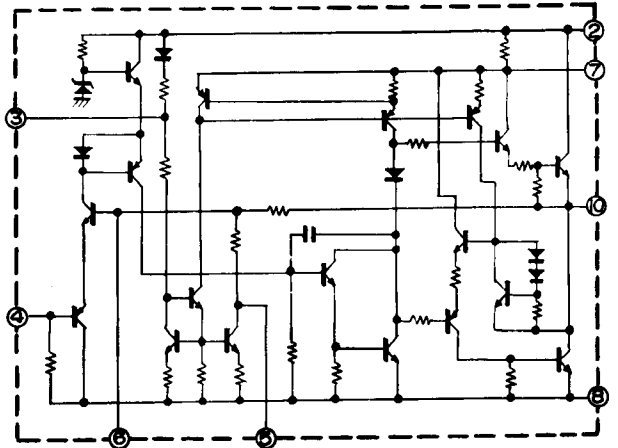
- YEAMUPC1021C (AM RF/IF Amplifier)
- CR-1555.T – IC101



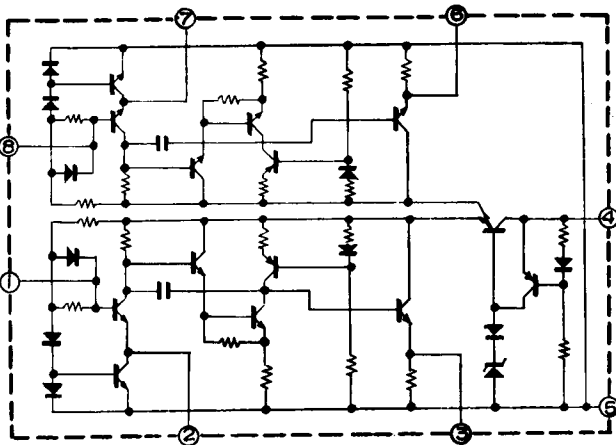
- YEAMUPC577H (FM IF Amplifier)
- CR-1555.T – IC151



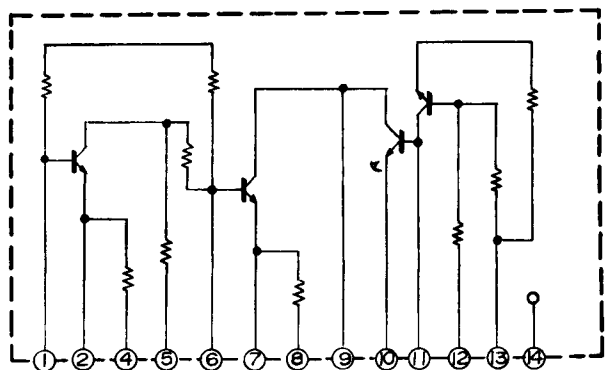
- YEAMHA1366W, YEAMHA1366WR (Power Amplifier)
- CR-1281.T – IC201
- CR-1555.T – IC201
- CX-7335.T – IC301, IC201



- YEAMM5152L (Pre Amplifier)
- CX-7335.T – IC202

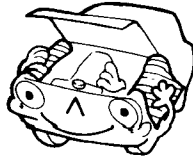
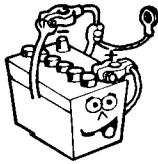


- EHM013D01 (Automatic Reversing)
- CX-7335.T – IC1



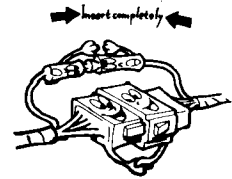
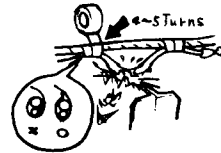
Prior to Mounting

- Be sure to disconnect the negative (-) lead from the battery terminal.
- Protect your car with a fender cover.



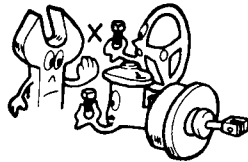
Wiring

- To avoid wire slackening, tape the wires to the nearby harness or clamp the wires.
- Be sure to firmly tighten connectors and terminals.

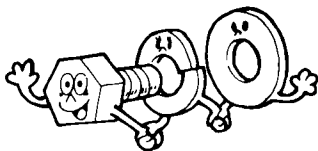


Parts Mounting

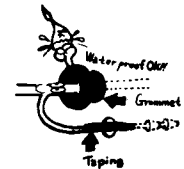
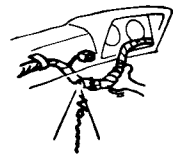
- Select a mounting location where neither car driving will be disturbed nor comfortableness will be sacrificed.
- When tightening the parts by using bolts and nuts used on the actual vehicle, never use bolts or nuts in the steering or brake system.



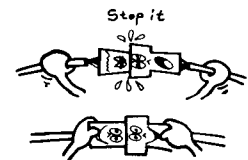
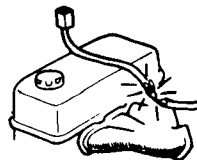
- Be sure to use plain washers and lock washers to tighten the bolts and nuts.
- Before drilling a hole, check that the rear of mounting wall is clear.



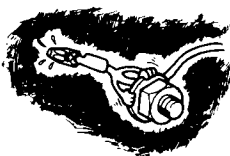
- Do not forcibly pull any car wiring harness. Rough tugging may result in opened connections, or broken wire or harness.
- When passing the wires through the dashboard or other panels, use a grommet to ensure waterproofing.
- Protect the wiring with tape when it is passed through a hole.



- Route the wiring to avoid contact with hot parts or rotary parts.
- When disconnecting connectors, be sure to grip the connector body. Do not tug on the wiring.

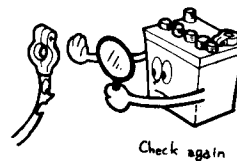


- Do not pinch the rear wiring or harness in the tightened part.
- Use the right tool when tightening the bolts or nuts.









After Mounting Completed

- Before connecting the power wiring to the battery, check the wiring connections, harness, etc. that they are properly secured.
- Confirm that lamps, horn, wiper, and other car accessories operate normally.









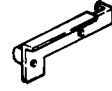
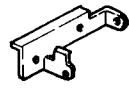




FITTING KIT

FOR ANTENNA INSTALLATION








ILLUST. NO.	①	②	③	④	⑤	⑥
DESCRIPTION	Pole Sub-Ass'y Antenna	Cord Sub-Ass'y Antenna	Antenna Holder	Screw w/Washer	Screw, Tapping	Screw, Tapping
TOYOTA PART NO.	86309-14080	86101-14070	86391-14060	90159-40198	90160-40002	93510-14016
PANASONIC NATIONAL NO.	YEAA12158	YEAA06049	YEAA22046	XTN4+C8VFX	XTN4+16AVFK	XTM4+16AFX
						

FOR RADIO INSTALLATION

⑦	⑧	⑨	⑩	⑪	⑫
Knob, Volume & Tuning	Knob, Tone & Dummy	Speaker	Nut	Washer	Lock Nut (M6)
86125-22040	86124-20040	86160-14091	90170-09165	90201-09351	90179-06070
YEFE07082	YEFE08034A	EAS18D55GK	YEJN01008BW	YEJW02014AW	YEJN01029FP
					

⑬	⑭	⑮	⑯	⑰	⑱
Front Bracket (Left)	Front Bracket (Right)	Screw w/Washer	Screw	Capacitor	Noise Filter
86211-14020	86212-14020	93319-15008	93566-55514	90980-04011	90980-05039
YEFG01429	YEFG01428	YEJV12008	YEJT01017	YECY01005	YECY01073
					

FOR TAPE PLAYER INSTALLATION

⑲	⑳	㉑	㉒	㉓	㉔	㉕
Speaker	Lock Nut (M6)	Front Bracket (Left)	Front Bracket (Right)	Rear Bracket	Screw, Tapping (M4 x 14)	Screw w/Washer (M5 x 8)
86160-14091	90179-06070	86265-14070	86265-14080	86266-14040	93566-14514	93319-15008
EAS18D55GK	YEJN01029FP	YEFG01430	YEFG01431	YEFG01432	YEJT01018	YEJW12008
						

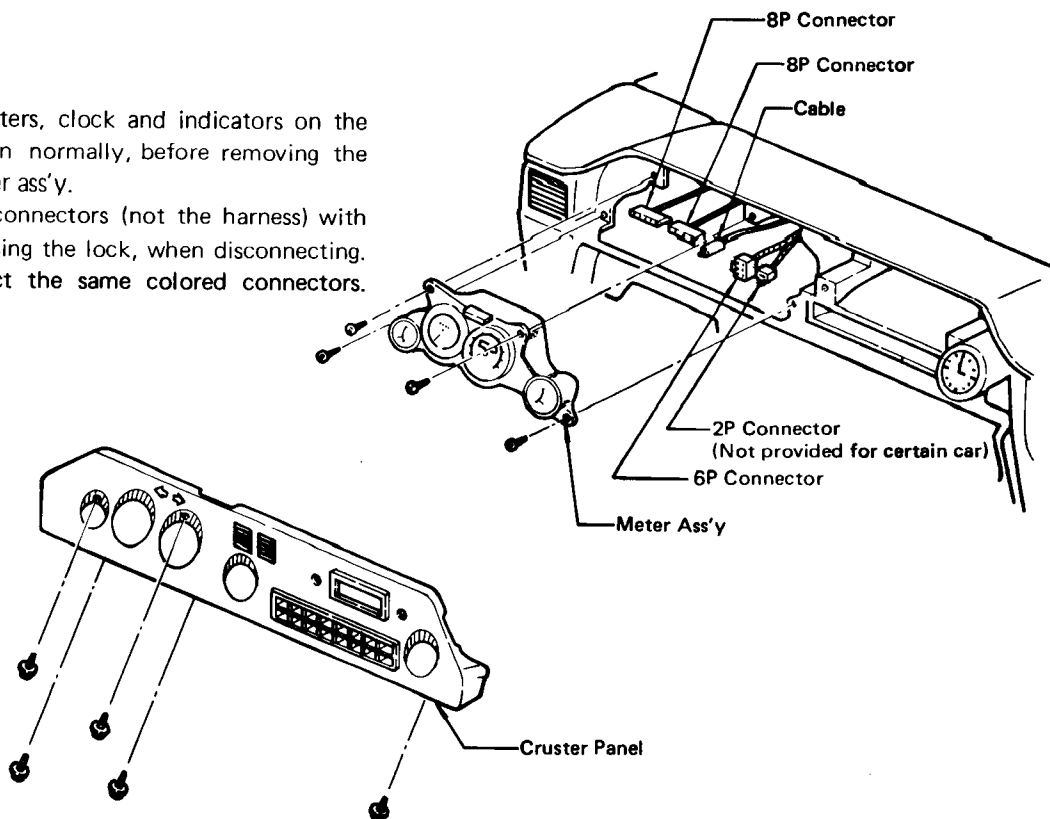
ANTENNA INSTALLATION

BEFORE INSTALLATION

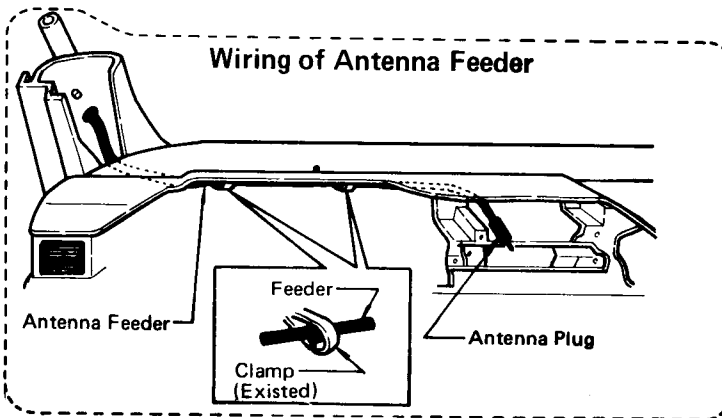
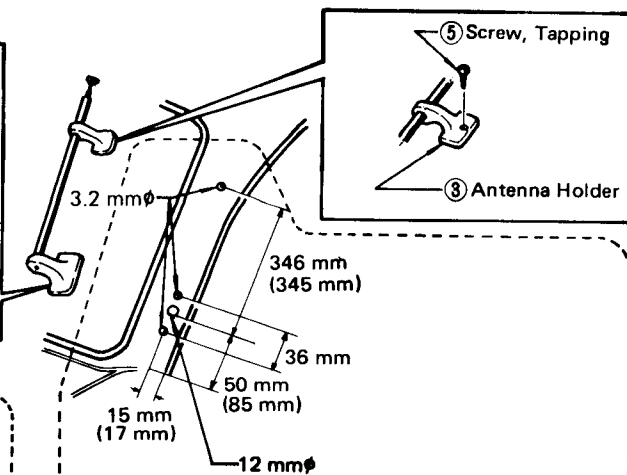
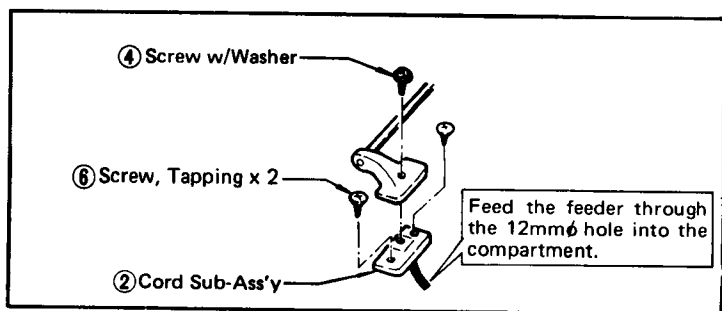
- Remove the cruster panel and meter ass'y.

Notes:

- Confirm that the meters, clock and indicators on the cruster panel function normally, before removing the cruster panel and meter ass'y.
- Be sure to hold the connectors (not the harness) with your fingers on releasing the lock, when disconnecting.
- Be sure to reconnect the same colored connectors.



ANTENNA INSTALLATION



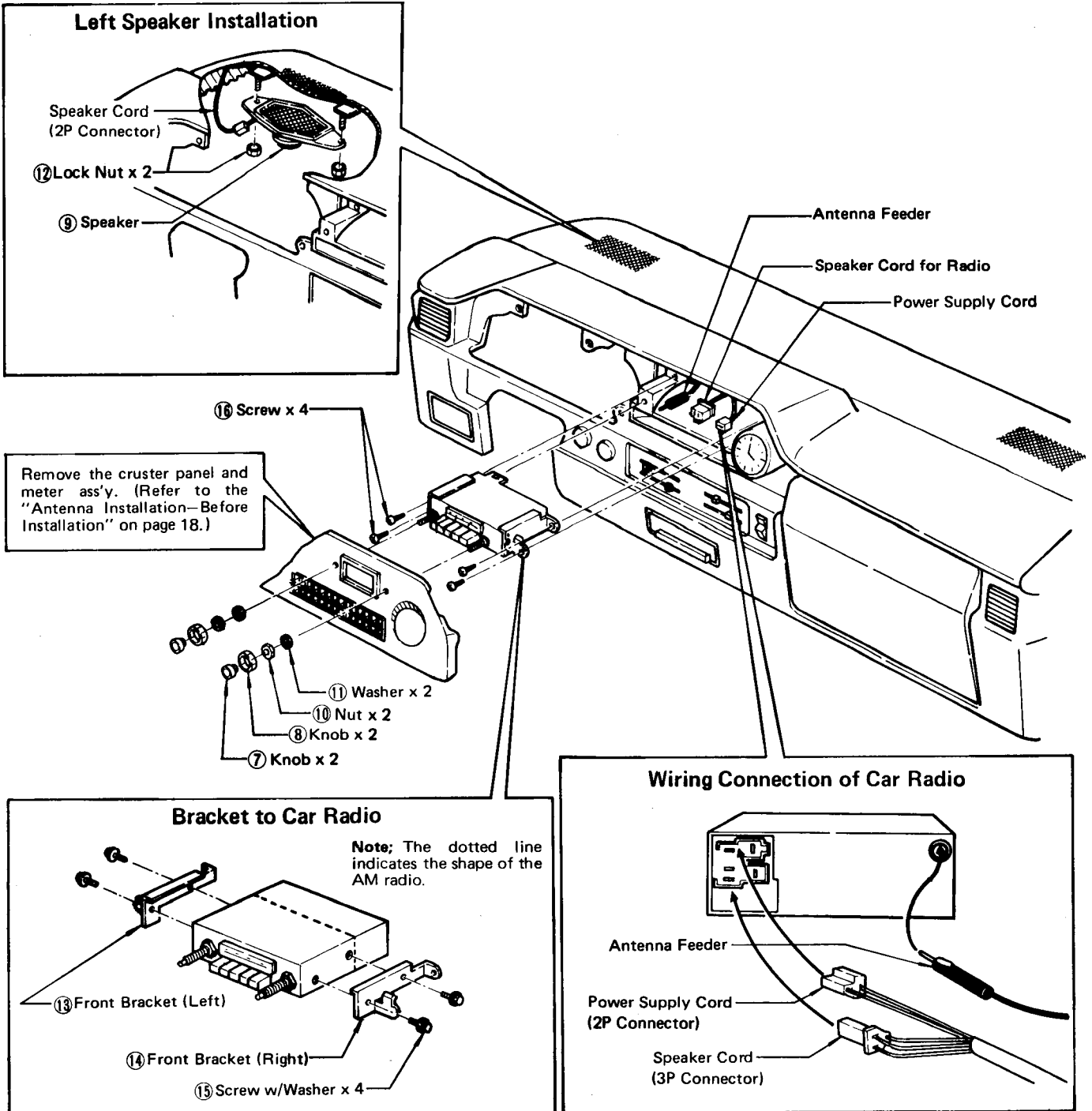
NOTE: Dimensions in () indicate for the hard top car.

Drilling Dimensions for Antenna Installation

RADIO AND LEFT SPEAKER INSTALLATION

[MOUNTING PROCEDURE]

- 1) Confirm that the meters, clock and indicators on the cruster panel function normally.
- 2) Mount the brackets to the car radio as below.
- 3) Remove the cruster panel and meter ass'y shown in "Antenna Installation – Before Installation", page 18.
- 4) Install the left speaker as "Left Speaker Installation", in below.
- 5) Install the right speaker shown in next page "Right Speaker Installations", if necessary.
- 6) Connect the power supply cord, speaker cord and antenna feeder into the car radio as below "Wiring Connection of Car Radio"
- 7) Install the car radio to the dashboard as below.
- 8) Connect the battery tentatively for checking that the car radio operates normally and aligning the antenna trimmer shown "Antenna Trimmer Alignment" on page 23, and disconnect the battery.
- 9) Mount the meter ass'y and the cruster panel.
- 10) Install the washers, nuts and knobs as below.
- 11) Check again the meters, clock and indicators for proper functioning.

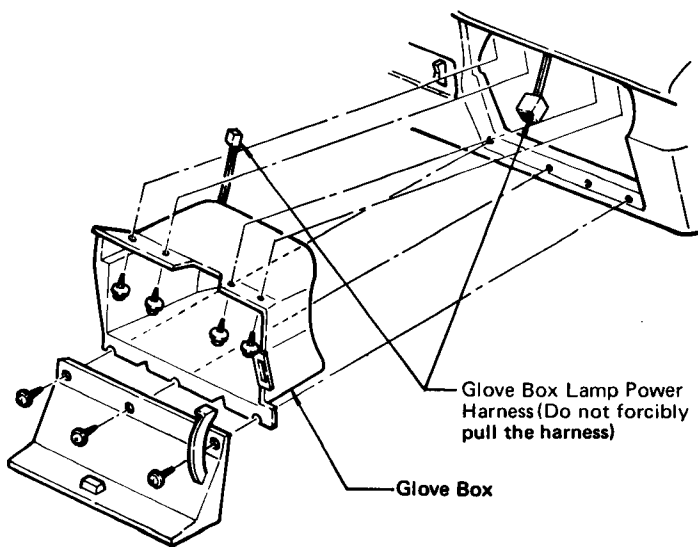


RIGHT SPEAKER INSTALLATION

NOTE: If you want to install the car stereo tape player additionally in case of a car radio being mounted, install the another speaker to the right hand side on the dashboard as shown below. Or you want to install both car radio and tape player simultaneously, install the right speaker.

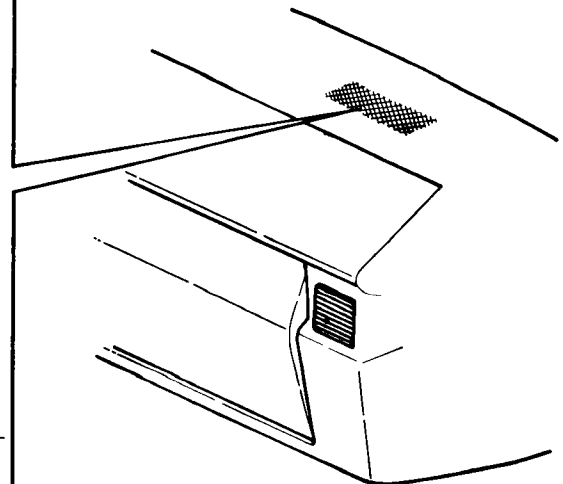
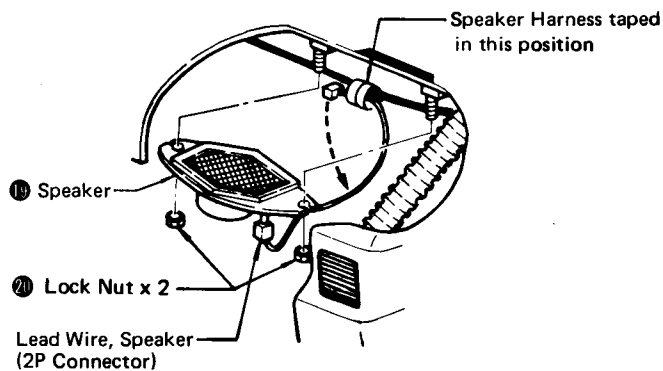
[MOUNTING PROCEDURE – 1]

- Remove 7 screws and pull the glove box.
- Pull out the box far enough to allow your right hand to reach the rear of the glove box.
- Be sure to hold the connector (not the harness) with your fingers on releasing the lock.



[MOUNTING PROCEDURE – 2]

- Untape the speaker harness.
 - ▶ Avoid handling the wire harness roughly.
- Mount the speaker in position and tighten the nuts.
- Connect the speaker harness to the speaker.
 - ▶ Confirm that the harness connector is firmly locked.



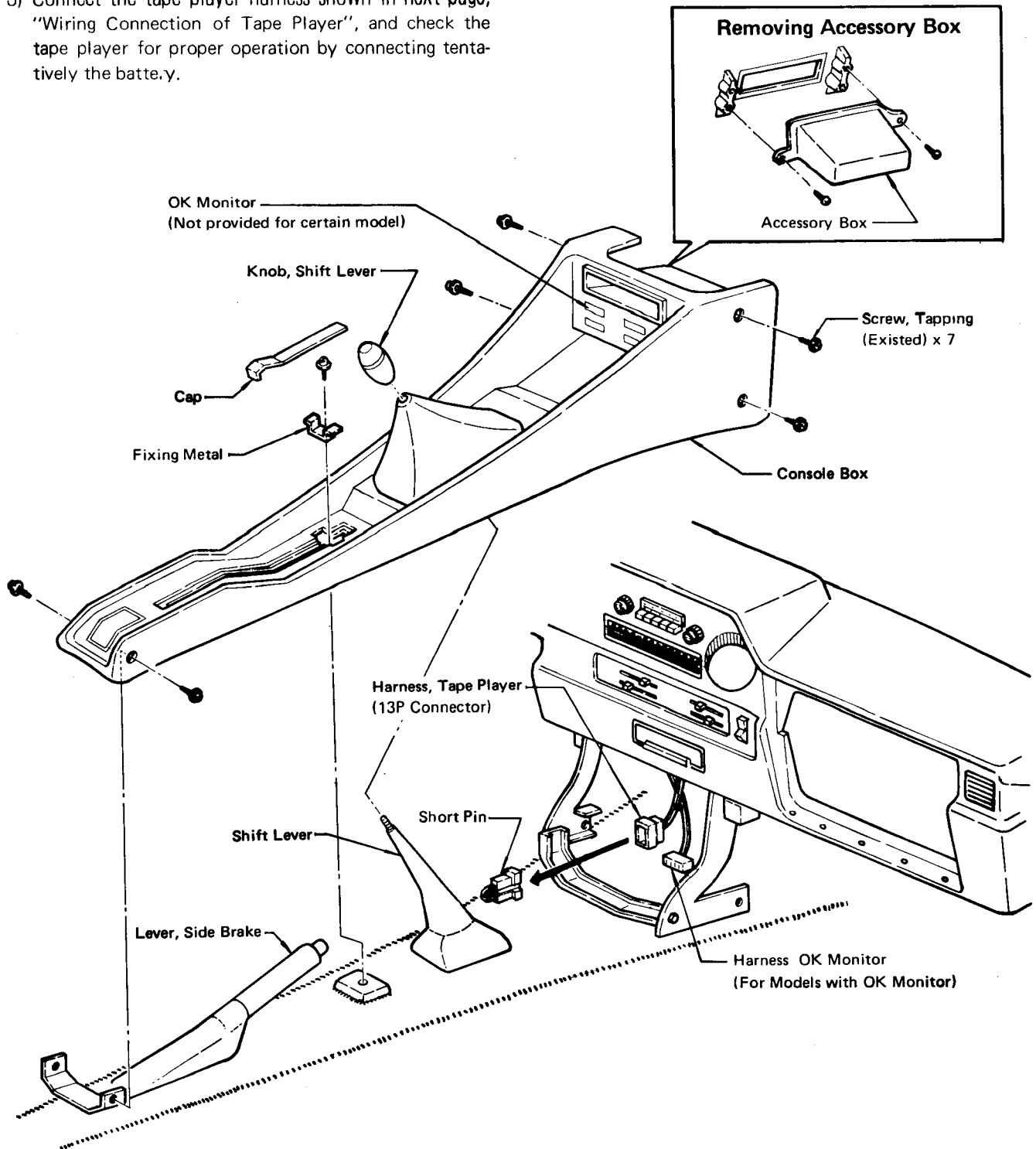
[MOUNTING PROCEDURE – 3]

- Reassemble the glove box in its initial position.
NOTE Be sure to connect the pilot lamp harness.

TAPE PLAYER INSTALLATION

[MOUNTING PROCEDURE]

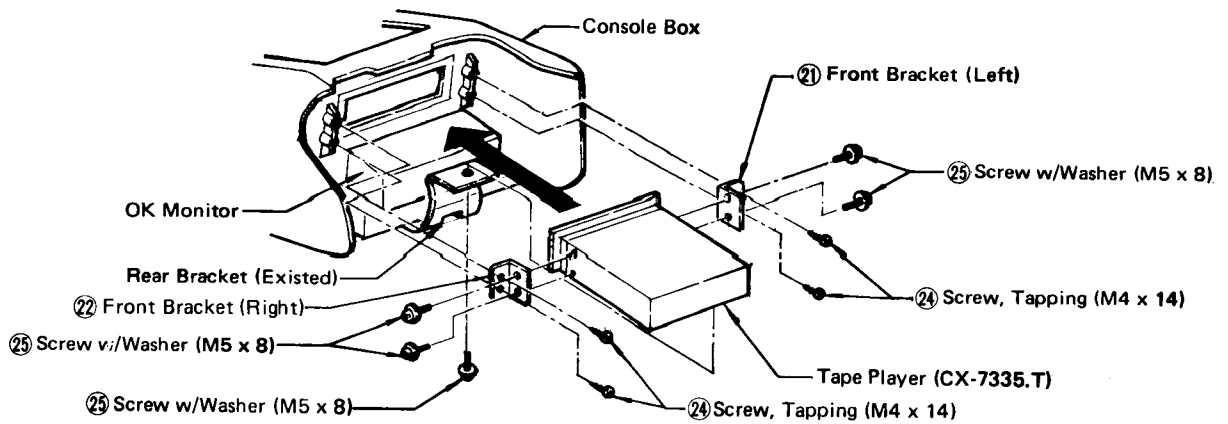
- 1) Confirm that the OK monitor functions normally. (When provided.)
- 2) Remove the console box and disconnect the OK monitor harness shown below.
- 3) Remove the accessory box as below. (NOTE: The removed accessory box and 2 screws are not used after installing the tape player.)
- 4) Install the tape player to the console box shown "Tape Player Into Console Box" in next page.
- 5) Connect the tape player harness shown in next page, "Wiring Connection of Tape Player", and check the tape player for proper operation by connecting tentatively the battery.
- 6) Reconnect the OK monitor harness, and mount the console box.
- 7) Check again the OK monitor for proper functioning.



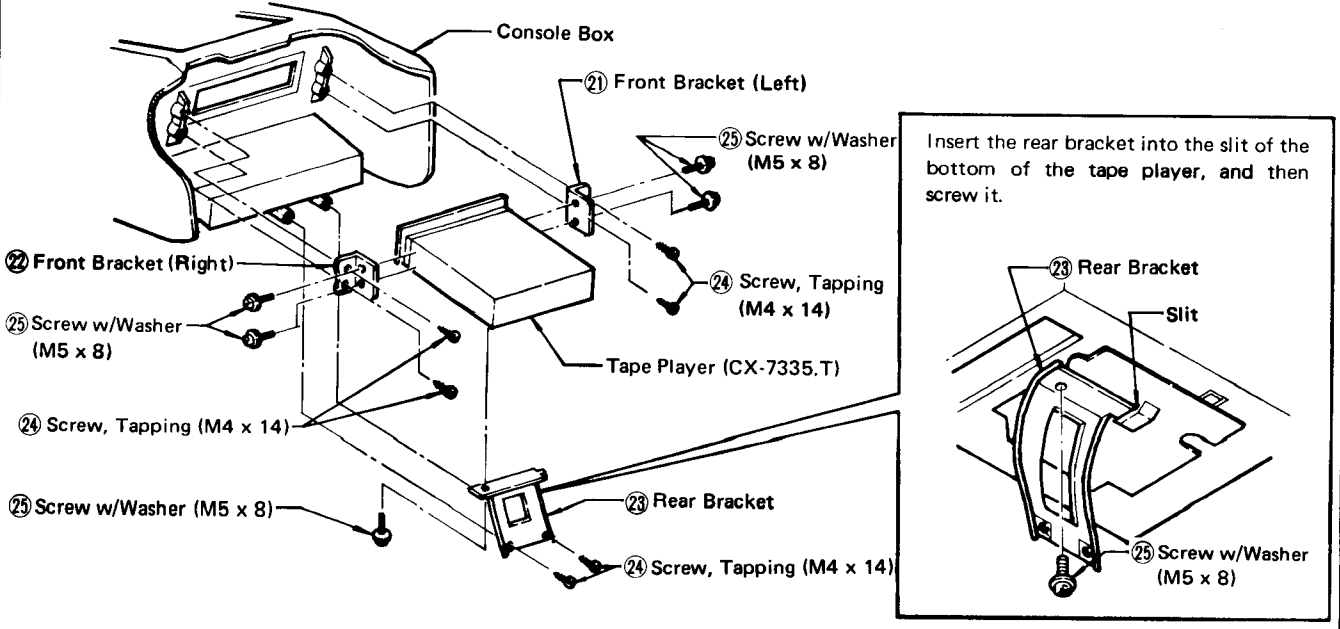
TAPE PLAYER INSTALLATION

Tape Player Into Console Box

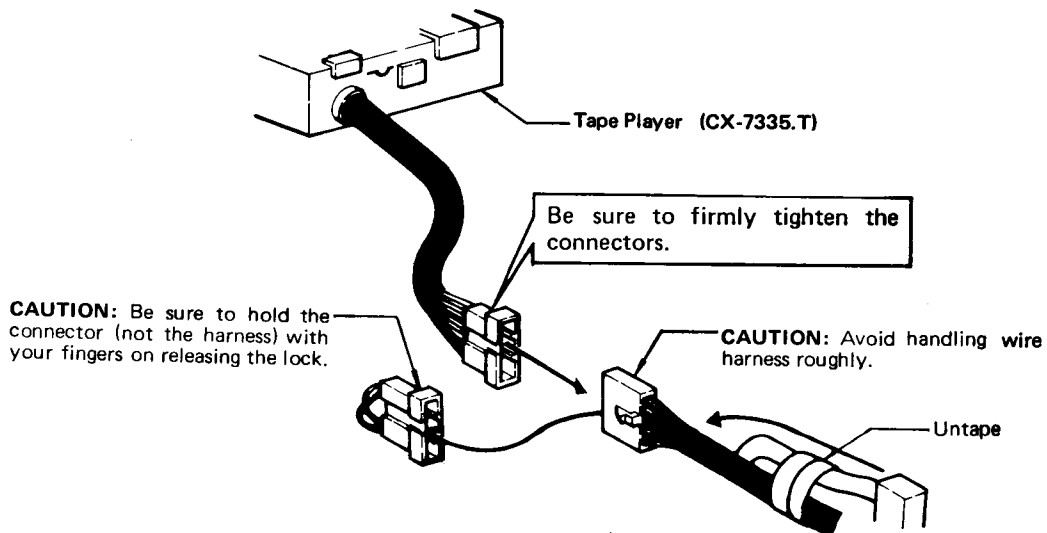
Console Box provided for OK Monitor



Console Box not provided for OK Monitor

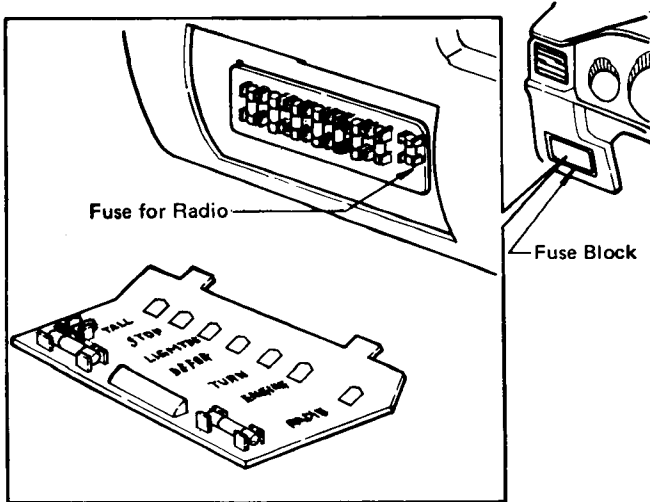


Wiring Connection of Tape Player



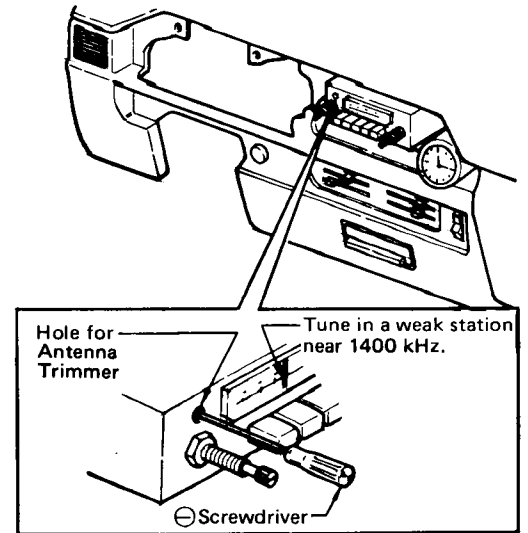
FUSE REPLACEMENT

If the car radio does not operate, or both car radio and tape player do not operate, check a fuse block of the car as shown below. (NOTE: The car radio and tape player are not provided with a fuse.)



ANTENNA TRIMMER ALIGNMENT

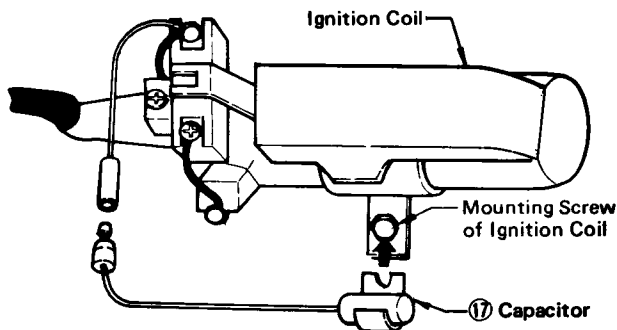
Align the antenna trimmer, after installing the car radio and before re-installing the meter ass'y and cruster panel. To adjust the antenna trimmer, tune in a weak station near 1400 kHz. Insert a small screwdriver through the hole as shown below, and turn clockwise or counterclockwise for maximum output.



INSTALLATION OF CAPACITOR & NOISE FILTER

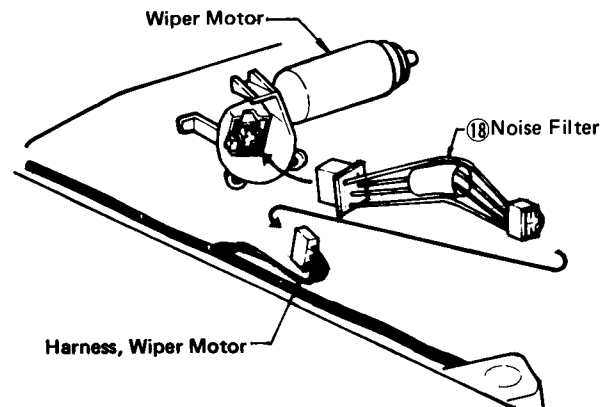
A) Both AM Radio and AM/FM Radio

Attach the capacitor (YECY01005/90980-04011) to the mounting screw of the ignition coil as shown below, after installing the car radio, both AM radio or AM/FM radio.



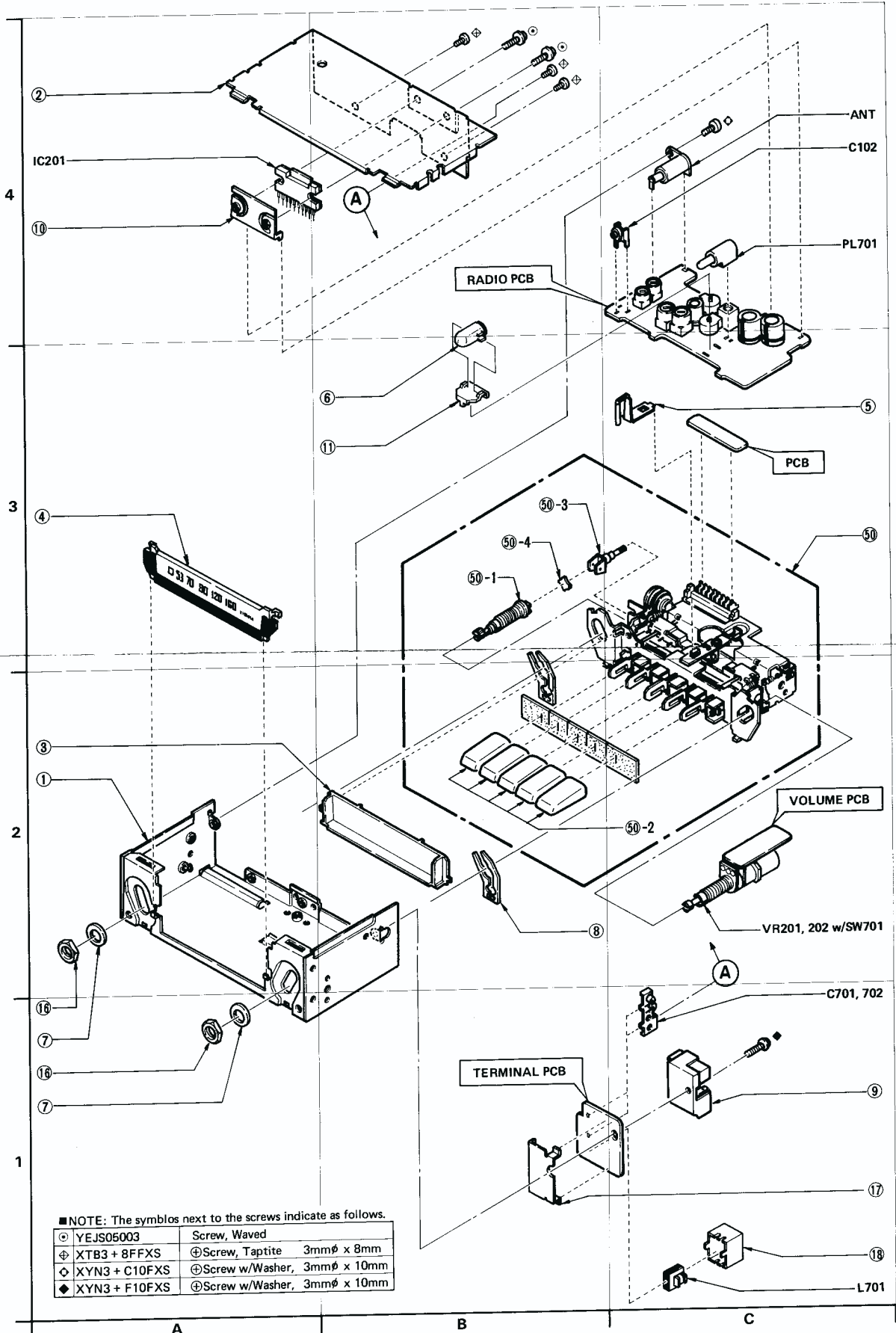
B) Only AM/FM Radio

When the AM/FM car radio (CR-1555.T/86120-14110-B) is installed, attach the noise filter (YECY01073/90980-05039) between the wiper motor and the wiper motor harness as shown below.



EXPLODED VIEW TOYOTA PART NO. 86120-14080-B
CR-1281.T

Numbers in ○ are indicated REF. NO. in the REPLACEMENT PARTS LIST, pages 28 ~ 30.

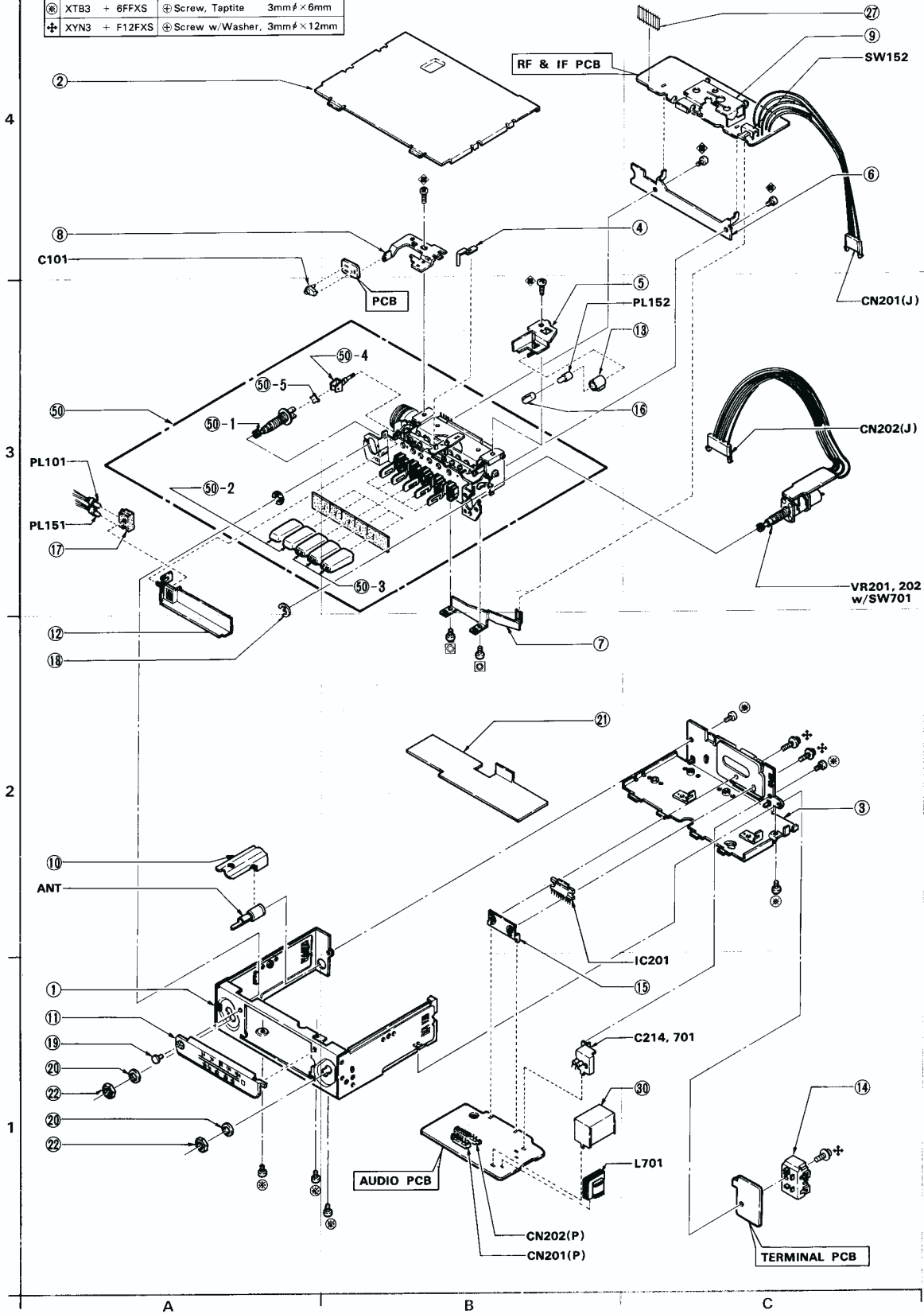


EXPLODED VIEW TOYOTA PART NO. 86120-14110-B
CR-1555.T

Numbers in ○ are indicated REF. NO. in the REPLACEMENT PARTS LIST, pages 31 ~ 35.

NOTE: The symbols next to the screws indicate as follows.

⊗ XSB3 + 4FXS	⊕ Screw, Bind	3mm# × 4mm
⊗ XSB26 + 4FXS	⊕ Screw, Bind	2.6mm# × 4mm
⊗ XTB3 + 6FFXS	⊕ Screw, TapTite	3mm# × 6mm
⊗ XYN3 + F12FXS	⊕ Screw w/Washer	3mm# × 12mm

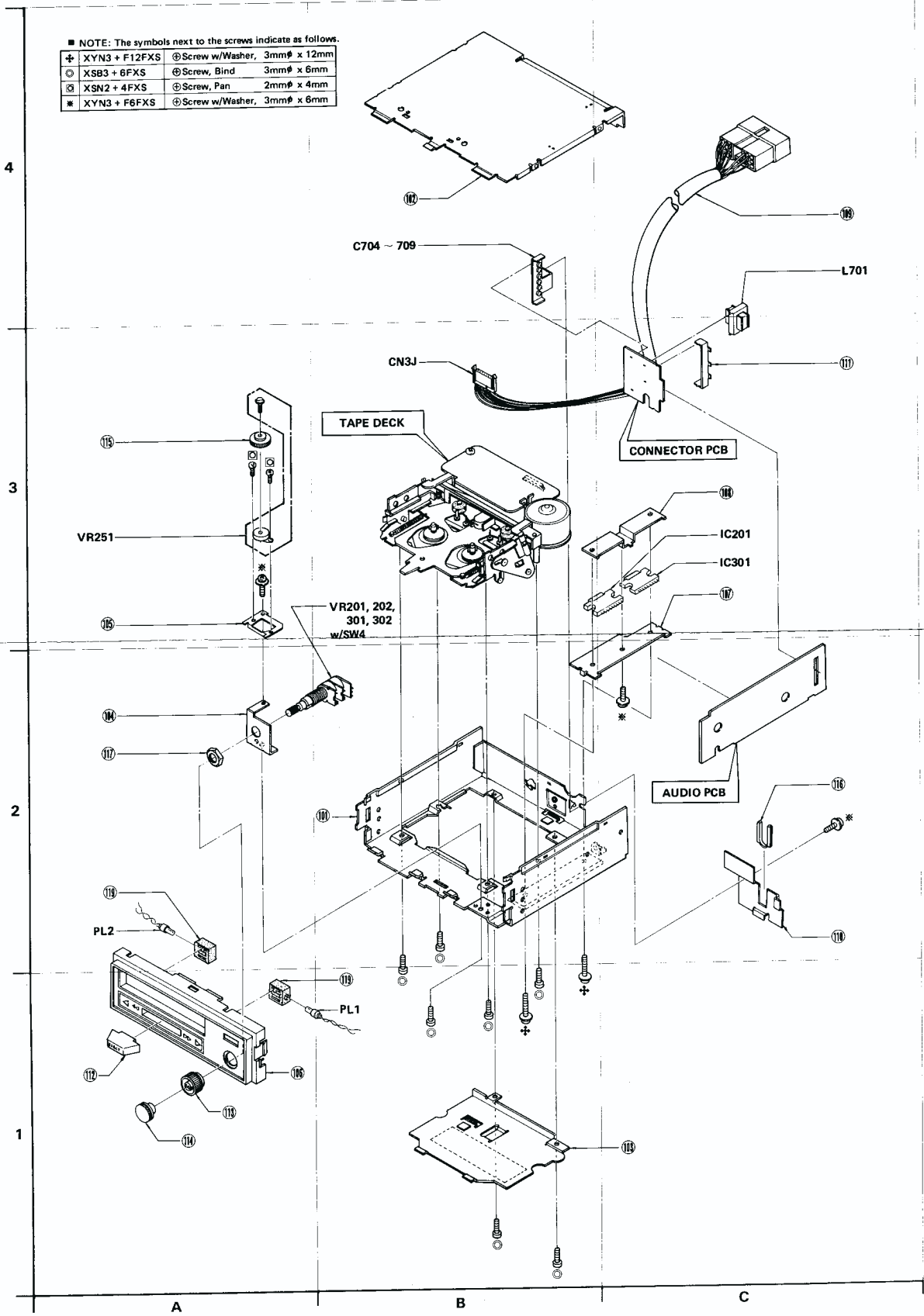


EXPLODED VIEW TOYOTA PART NO. 86260-14100-A (UNIT)
CX-7335.T

Numbers in ○ are indicated REF. NO. in the REPLACEMENT PARTS LIST, pages 36 ~ 38.

NOTE: The symbols next to the screws indicate as follows.

⊕ XYN3 + F12FXS	⊕ Screw w/Washer, 3mmφ x 12mm
⊙ XSB3 + 6FXS	⊕ Screw, Bind 3mmφ x 6mm
⊗ XSN2 + 4FXS	⊕ Screw, Pan 2mmφ x 4mm
* XYN3 + F6FXS	⊕ Screw w/Washer, 3mmφ x 6mm

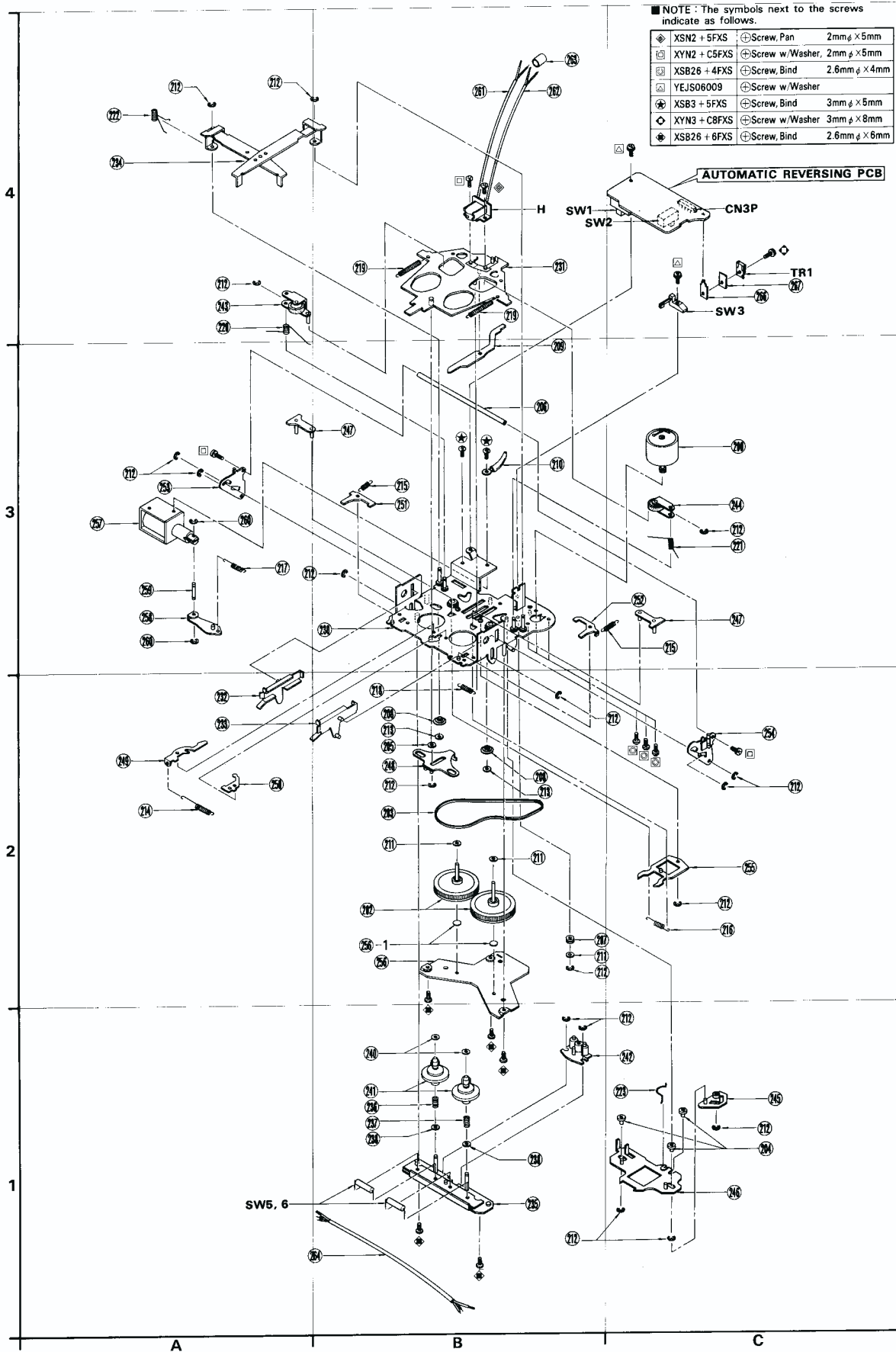


EXPLODED VIEW TOYOTA PART NO. 86260-14100-A (TAPE DECK) CX-7335.T

Numbers in ○ are indicated REF. NO. in the REPLACEMENT PARTS LIST, pages 38 ~ 40.

NOTE: The symbols next to the screws indicate as follows.

XSN2 + 5FXS	⊕Screw, Pan	2mm φ × 5mm
XYN2 + C5FXS	⊕Screw w/Washer, 2mm φ × 5mm	
XSB26 + 4FXS	⊕Screw, Bind	2.6mm φ × 4mm
YEJS06009	⊕Screw w/Washer	
XSB3 + 5FXS	⊕Screw, Bind	3mm φ × 5mm
XYN3 + C8FXS	⊕Screw w/Washer	3mm φ × 8mm
XSB26 + 6FXS	⊕Screw, Bind	2.6mm φ × 6mm



**Replacement Parts List
Model NO. CR-1281.T (TOYOTA PART NO. 86120-14080-B)**

NOTES:

1. Be sure to make your orders of replacement parts according to this list.
2. Components identified by shaded area have special characteristics important for safety. When replacing any of these components, use only manufacturer's specified parts.
3. The column of Ref. No. indicates the located position of the parts on the EXPLODED VIEW, and see the cross section of the horizontal column (1 ~ up) and the vertical column (A ~ up).

Ref. No.	Part No.	Part Name & Description	Pcs Set	Remarks
MISCELLANEOUS				
PL701 (4-D)	YEFK04165	Pilot Lamp w/Pilot Lamp Holder	1	
ANT (4-D)	YEAA10021A	Antenna Receptacle	1	
M1 (2-A)	YFA01207A	Chassis	1	
M2 (4-A)	YFA03272	Upper Cover	1	
M3 (2-A)	YEFJ10197	Back Plate	1	
M4 (3-A)	YEFJ08370A	Dial Plate	1	
M5 (3-C)	YEFH01144	Dial Pointer	1	
M6 (3-A)	YEFR04026	Illumination Cap	1	
M7 (1-A)	YEFLO916020	Spacer	2	
M8 (2-B)	YEJE01008	E-Ring	1	
M9 (1-C)	YEAT03150	Power Supply/Speaker Terminal	1	
M10 (4-A)	YEFX021634A	Mounting Bracket, IC	1	
M11 (3-A)	YEFX021452	Mounting Bracket, Pilot Lamp Holder	1	
M12	YES050003	Screw, Waved	2	
M13	XTB3 + 8FFXS	⊕Screw, Taptite 3mm ϕ x 8mm	3	
M14	XYN3 + C10FXS	⊕Screw w/Washer, 3mm ϕ x 10mm	1	
M15	XYN3 + F10FXS	⊕Screw w/Washer, 3mm ϕ x 10mm	1	
M16 (1-A)	YJN01028FX	Nut, Hexagon	2	
M17 (1-C)	YFA13150	Case	1	
M18 (1-C)	YFA13100	Case	1	
M19	YEFV02122	Shade	1	
M20	YEFM01335	Main Seal	1	

Ref. No.	Part No.	Part Name & Description	Pcs Set	Remarks
TUNER				
M50	YEAU05216	Tuner Assy	1	
M50-1		Tuning Shaft	1	
M50-2	YEFE10192	Push Button	5	
M50-3		Pinion Shaft	1	
M50-4		Universal Joint	1	
VARIABLE RESISTOR				
VR201,	EWJ3LS24D14	10k OHM (D) Tone Control	1	
202		10k OHM (D) Volume Control		
w/SW701		w/Power Switch		
ICS				
IC101	AN259	AM RF/IF Amp	1	
IC201	YEAMHA1366W	Power Amp	1	
DIODES				
D101	MA150	AM Det	1	
D702	YEAD030	Spark Suppression	1	

Ref. No.	Part No.	Part Name & Description	Pcs Set	Remarks
CAPACITORS				
C101	YECCD1H330KM	33 PF 50WV ±10% Ceramic	1	
C103	YECCD1H271JM	270 PF 50WV ±5% Ceramic	1	
C104	YECCD1H020CM	2 PF 50WV ±0.25 PF Ceramic	1	
C105	ECEA10V33L	33 MFD 10WV Electrolytic	1	
C106	ECEA25V3R3L	3.3 MFD 25WV Electrolytic	1	
C107	YECCD1H151KM	150 PF 50WV ±10% Ceramic	1	
C109	YECCD1H271JM	270 PF 50WV ±5% Ceramic	1	
C110	YEQCN1H332K	0.0033 MFD 50WV ±10% Polyester	1	
C111	YEQCN1H223M	0.022 MFD 50WV ±20% Polyester	1	
C113	YECCD1H181KR	180 PF 50WV ±10% Ceramic	1	
C114	YECCD12204M	0.2 MFD 12WV ±20% Ceramic	1	
C115	YECCD1H330KM	33 PF 50WV ±10% Ceramic	1	
C116	YEQCN1H473M	0.047 MFD 50WV ±20% Polyester	1	
C117	ECEA10V220L	220 MFD 10WV Electrolytic	1	
C118	YEQCN1H472K	0.0047 MFD 50WV ±10% Polyester	1	
C119	YEQCN1H103M	0.01 MFD 50WV ±20% Polyester	1	
C120	ECEA16V100L	100 MFD 16WV Electrolytic	1	
C201	ECEA16V10L	10 MFD 16WV Electrolytic	1	
C202	ECEA50MR22	0.22 MFD 50WV Electrolytic	1	
C203	YECCD12104M	0.1 MFD 12WV ±20% Ceramic	1	
C204	ECEA16V10L	10 MFD 16WV Electrolytic	1	
C205	YEQCN1H102M	0.001 MFD 50WV ±20% Polyester	1	
C206	ECEA10V100L	100 MFD 10WV Electrolytic	1	
C207	ECEA10V47L	47 MFD 10WV Electrolytic	1	
C208	ECEA10V47L	47 MFD 10WV Electrolytic	1	
C209	ECOM1H104MZ	0.1 MFD 50WV ±20% Polyester	1	
C210	ECEA16V1000Z	1000 MFD 16WV Electrolytic	1	
C701	ECEA16V1000Z	1000 MFD 16WV Electrolytic	1	
C701, 702	YECCL510346	1000 PF x 2 Feedthrough	1	

Ref. No.	Part No.	Part Name & Description	Pcs Set	Remarks
RESISTORS				
R102	ERD18TJ120	12 OHM 1/8W ±5% Carbon	1	
R103	ERD18TJ124	120k OHM 1/8W ±5% Carbon	1	
R104	ERD18TJ331	330 OHM 1/8W ±5% Carbon	1	
R105	ERD18TJ473	47k OHM 1/8W ±5% Carbon	1	
R106	ERD18TJ221	220 OHM 1/8W ±5% Carbon	1	
R107	ERD18TJ473	47k OHM 1/8W ±5% Carbon	1	
R108	ERD18TJ102	1k OHM 1/8W ±5% Carbon	1	
R109	ERD18TJ102	1k OHM 1/8W ±5% Carbon	1	
R201	ERD18TJ103	10k OHM 1/8W ±5% Carbon	1	
R202	ERD18TJ472	4.7k OHM 1/8W ±5% Carbon	1	
R203	ERD18TJ331	330 OHM 1/8W ±5% Carbon	1	
R204	ERD18TJ102	1k OHM 1/8W ±5% Carbon	1	
VARIABLE CAPACITORS				
C102	ECV12W50X40	50 PF Trimmer	1	
C108, 112	YECTT1090	90 PF Trimmer	2	
COILS AND TRANSFORMERS				
L101	YEL009N004	RF Choke Coil	1	
L105	YELT06C003	RF Coil	1	
L106	YELL10S085	OSC Coil	1	
T101	YEIA07S7076A	AM IFT	1	
T102	YEIA07S7090	AM IFT	1	
T103	YEIA10S7091	AM IFT	1	
T104	YEIA10S7092	AM IFT	1	
L701	YET0021F037	Choke Coil	1	

**Replacement Parts List
Model NO. CR-1555.T (TOYOTA PART NO. 86120-14110-B)**

NOTES:

1. Be sure to make your orders of replacement parts according to this list.
2. Components identified by shaded area have special characteristics important for safety. When replacing any of these components, use only manufacturer's specified parts.
3. The column of Ref. No. indicates the located position of the parts on the EXPLODED VIEW, and see the cross section of the horizontal column (1 ~ up) and the vertical column (A ~ up).

Ref. No.	Part No.	Part Name & Description	Pcs Set	Remarks
MISCELLANEOUS				
PL152 (3-C)	YEAL25001W	Pilot Lamp	1	
PL101 (3-A)	YEAL24002L	Pilot Lamp, AM Indicator	1	
PL151 (3-A)	YEAL24007L	Pilot Lamp, FM Indicator	1	
ANT (2-A)	YEAA10019A	Antenna Receptacle	1	
CN201P (1-B)	EMCS0501	5P Plug	1	
CN202P (1-B)	EMCS0701	7P Plug	1	
CN201J (3-C)	EMCB0620A01	5P Jack	1	
CN202J (3-C)	EMCB0720A02	7P Jack	1	
M1 (1-A)	YEFA01233A	Chassis	1	
M2 (4-A)	YEFA03256	Upper Cover	1	
M3 (2-C)	YEFA05156B	Bottom Cover	1	
M4 (4-C)	YEFH01138A	Dial Pointer	1	
M5 (3-C)	YEFX021862	Mounting Bracket, Pilot Lamp Holder	1	
M6 (4-C)	YEFX021483	Mounting Bracket, PCB	1	
M7 (2-B)	YEFX021482	Mounting Bracket, AM/FM Selector Switch	1	
M8 (4-A)	YEFX021586	Mounting Bracket, Antenna Trimmer	1	
M9 (4-C)	YEFA03222	Upper Cover	1	
M10 (2-A)	YEFA13138	Antenna Shield Plate	1	
M11 (1-A)	YEFJ08387	Dial Plate	1	
M12 (2-A)	YEFJ10190	Back Plate Ass'y	1	
M13 (3-C)	YEFK04189	Holder, Pilot Lamp	1	
M14 (1-C)	YEAT03164	Power Supply/Speaker Terminal	1	
M15 (1-C)	YEFX021634A	Mounting Bracket, IC	1	
M16 (3-C)	YEFR04077	Illumination Cap	1	
M17 (3-A)	YEFK04177	Holder, Pilot Lamp	1	

Ref. No.	Part No.	Part Name & Description	Pcs Set	Remarks
M18 (2-A)	YEJE01001	E-Ring	1	
M19 (1-A)	YEFJ05008	Color Rivet	1	
M20 (1-A)	YEFL0916020	Spacer	2	
M21 (2-B)	YEFV01146B	Insulator	1	
M22 (1-A)	YEFJN01028FX	Nut, Hexagon	2	
M23	XSB3 + 4FXS	④Screw, Bind 3mmφ x 4mm	4	
M24	XSB26 + 4FXS	④Screw, Bind 2.6mmφ x 4mm	2	
M25	XTB3 + 6FFXS	④Screw, Taplite 3mmφ x 6mm	6	
M26	XYN3 + F12FXS	④Screw w/Washer, 3mmφ x 12mm	3	
M27 (4-C)	YEAEO1084	PC Joinder, 4P	1	
M28	YEAEO1083	PC Joinder, 2P	1	
M29	YEFM01351A	Main Seal	1	
M30 (1-C)	YEFA13135	Case, Choke Coil	1	
M31	YEFA13113	Case	1	
M32	YEFA13111	Case	1	
M33	YEFA13070	Case	2	
M34	YEFA13071	Case	1	
M35	YEAT03147	Terminal	6	
M36	YEAT03113	Terminal	5	
M37	YEFW02102	Pin	2	
M38	YEAJ18069	Shielded Wire	1	
M39	YEAJ18082	Shielded Wire	1	
M40	YEAJ18119	Shielded Wire	1	
M41	YAFX016035	Cord Clamp	2	
	YEAT03100	Terminal	5	

Ref. No.	Part No.	Part Name & Description	Pcs Set	Remarks
TUNER				
M50	YEAU05210	Tuner Ass'y	1	
M50-1	YESAU05S066	Tuning Shaft	1	
M50-2	YEFE10091	Push Button (AM)	2	
M50-3	YEFE10092	Push Button (FM)	3	
M50-4	YESAU05S064	Pinion Shaft	1	
M50-5	YESAU02Z017	Universal Joint	1	
SWITCH				
SW152	YEAS07046	AM/FM Selector Switch	1	
VARIABLE RESISTORS				
VR151	EVNK4AA00B23	2k OHM (B) Semi-Fixed	1	
VR201	EWJ1LBS26746	Tone Control	1	
202		Volume Control		
w/SW701		w/Program Selector Switch		
ICs AND TRANSISTORS				
RF & IF BLOCK				
IC101	YEAMUPC1021C	AM RF/IF Amp	1	
IC151	YEAMUPC577H	FM IF Amp	1	
TR51, 52	2SC1047	FM RF Amp, FM Mix	2	
TR53, 151	2SC829	FM OSC, FM IF Amp	2	
AUDIO BLOCK				
IC201	YEAMHA1366W	Power Amp	1	
DIODES				
RF & IF BLOCK				
D51	YEAD029	FM AFC	1	
D101	OA90	AM AGC	1	
D102	MA150	AM Det	1	
D151	YEAD024	Voltage Stabilizer	1	
D152, 153	YEAD032	FM Disc	2	
AUDIO BLOCK				
D701	YEAD030	Spark Suppression	1	

Ref. No.	Part No.	Part Name & Description	Pcs Set	Remarks
C110	YECCD1H181S	180 PF 50VV ±5% Ceramic	1	
C112	ECEA10V100L	100 MFD 10VV Electrolytic	1	
C113, 114	ECEA16V100L	100 MFD 16VV Electrolytic	2	
C115	ECEA16V10L	10 MFD 16VV Electrolytic	1	
C116	ECEA25V3R3L	3.3 MFD 25VV Electrolytic	1	
C117	YECCD1H820KM	82 PF 50VV ±20% Ceramic	1	
C118	ECEA10V33L	33 MFD 10VV Electrolytic	1	
C119, 120	YEQN1H103M	0.01 MFD 50VV ±20% Polyester	2	
C121	YEQN1H472K	0.0047 MFD 50VV ±10% Polyester	1	
C122	YEQN1H103M	0.01 MFD 50VV ±20% Polyester	1	
C123	YECCD1H330KM	33 PF 50VV ±10% Ceramic	1	
C151	YECKD05103Z	0.01 MFD 50VV +80, -20% Ceramic	1	
C152	ECEA10V100L	100 MFD 10VV Electrolytic	1	
C153	YECKD05103Z	0.01 MFD 50VV +80, -20% Ceramic	1	
C154	YEQN1H223M	0.022 MFD 50VV ±20% Polyester	1	
C155	YECKD05103Z	0.01 MFD 50VV +80, -20% Ceramic	1	
C156	ECEA16V100L	100 MFD 16VV Electrolytic	1	
C157	YECKD05103Z	0.01 MFD 50VV +80, -20% Ceramic	1	
C158	YEQN1H333M	0.033 MFD 50VV ±20% Polyester	1	
C159, 161	YECCD1H181KM	180 PF 50VV ±10% Ceramic	3	
C162	ECEA25V4R7L	4.7 MFD 25VV Electrolytic	1	
AUDIO BLOCK				
C201	ECEA16V10L	10 MFD 16VV Electrolytic	1	
C202	YEQN1H183M	0.018 MFD 50VV ±20% Polyester	1	
C203	YECCD12104M	0.1 MFD 12VV ±20% Ceramic	1	
C204	YEQN1H473M	0.047 MFD 50VV ±20% Polyester	1	
C208	YEQN1H102K	0.001 MFD 50VV ±10% Polyester	1	
C209	ECEA10V100L	100 MFD 10VV Electrolytic	1	
C210, 211	ECEA10V47L	47 MFD 10VV Electrolytic	2	
C212	YEQN1H104MZ	0.1 MFD 50VV ±20% Polyester	1	
C213	ECEA16V1000Z	1000 MFD 16VV Electrolytic	1	

Ref. No.	Part No.	Part Name & Description	Pcs Set	Remarks
CAPACITORS				
[RF & IF BLOCK]				
C51	YECCD1H080DM	8 PF 50VV ±0.5 PF Ceramic	1	
C52	YECCD1H180KM	18 PF 50VV ±10% Ceramic	1	
C53	YECCD1H080DS	8 PF 50VV ±0.5 PF Ceramic	1	
C54	YECCD1H100JS	10 PF 50VV ±5% Ceramic	1	
C56	YECCD1H020CM	2 PF 50VV ±0.25 PF Ceramic	1	
C57, 58	YECKD05471K	470 PF 50VV ±10% Ceramic	2	
C59	YECCD1H080DM	8 PF 50VV ±0.5 PF Ceramic	1	
C60	YECCD1H020CM	2 PF 50VV ±0.25 PF Ceramic	1	
C61	YECCD1H120JU	12 PF 50VV ±5% Ceramic	1	
C63	YECCD1H020CM	2 PF 50VV ±0.25 PF Ceramic	1	
C64	YECCD1H270KM	27 PF 50VV ±10% Ceramic	1	
C65	YECCD1H010CC	1 PF 50VV ±0.25 PF Ceramic	1	
C67	YECCD1H271JM	270 PF 50VV ±5% Ceramic	1	
C68	YECKD05103Z	0.01 MFD 50VV +80, -20% Ceramic	1	
C69	YECCD1H390KM	39 PF 50VV ±10% Ceramic	1	
C70	YECKD05471K	470 PF 50VV ±10% Ceramic	1	
C71	YECCD1H030DD	3 PF 50VV ±0.5 PF Ceramic	1	
C72	YECCD1H040DU	4 PF 50VV ±0.5 PF Ceramic	1	
C74	YECCD1H040DU	4 PF 50VV ±0.5 PF Ceramic	1	
C75	YEQN1H472K	0.0047 MFD 50VV ±10% Polyester	1	
C76	YECKD05103Z	0.01 MFD 50VV +80, -20% Ceramic	1	
C77	ECEA50V1L	1 MFD 50VV Electrolytic	1	
C79	YECCD1H330KM	33 PF 50VV ±10% Ceramic	1	
C102	YEQN1H103M	0.01 MFD 50VV ±20% Polyester	1	
C103	YEQN1H223M	0.022 MFD 50VV ±20% Polyester	1	
C105	YECCD1H271JM	270 PF 50VV ±5% Ceramic	1	
C106	YECCD1H121KM	120 PF 50VV ±10% Ceramic	1	
C107	YEQN1H183M	0.018 MFD 50VV ±20% Polyester	1	
C108	YEQN1H472K	0.0047 MFD 50VV ±10% Polyester	1	
C109	YECCD1H103M	0.01 MFD 50VV ±20% Polyester	1	

Ref. No.	Part No.	Part Name & Description	Pcs Set	Remarks
R150	ERD18TJ152	1.5k OHM 1/8W ±5% Carbon	1	
R152	ERD18VJ561	560 OHM 1/8W ±5% Carbon	1	
R153	ERD18VJ332	3.3k OHM 1/8W ±5% Carbon	1	
R154	ERD18VJ121	120 OHM 1/8W ±5% Carbon	1	
R155	ERD18VJ390	39 OHM 1/8W ±5% Carbon	1	
R156	ERD18VJ561	560 OHM 1/8W ±5% Carbon	1	
R157	ERD18VJ331	330 OHM 1/8W ±5% Carbon	1	
R158	ERD14VJ101	100 OHM 1/4W ±5% Carbon	1	
R159	ERD14FJ560	56 OHM 1/4W ±5% Carbon	1	
R160 162	ERD18VJ102	1k OHM 1/8W ±5% Carbon	3	
R163, 164	ERD18TJ392	3.9k OHM 1/8W ±5% Carbon	2	
AUDIO BLOCK				
R201	ERD18TJ153	15k OHM 1/8W ±5% Carbon	1	
R202	ERD18TJ823	82k OHM 1/8W ±5% Carbon	1	
R203	ERD18TJ822	8.2k OHM 1/8W ±5% Carbon	1	
R204	ERD18TJ102	1k OHM 1/8W ±5% Carbon	1	
VARIABLE CAPACITORS				
C55, 62	ECV1ZW06X32	6 PF Trimmer	2	
C73	YECTAT1397	5 PF Trimmer	1	
C101	ECV1ZW50X32	50 PF Trimmer	1	
C104, 111	YECCTC10S700	70 PF Trimmer	2	

Ref. No.	Part No.	Part Name & Description	Pcs Set	Remarks
C214, 701	YECCLE510329	1000 PF x 2 Feedthrough	1	
C702	ECEA16V1000Z	1000 MFD 16V Electrolytic	1	
RESISTORS				
RF & IF BLOCK				
R51	ERD18VJ102	1k OHM 1/8W ±5% Carbon	1	
R52	ERD18VJ392	3.9k OHM 1/8W ±5% Carbon	1	
R53	ERD18VJ472	4.7k OHM 1/8W ±5% Carbon	1	
R54	ERD18VJ471	470 OHM 1/8W ±5% Carbon	1	
R55	ERD18VJ153	15k OHM 1/8W ±5% Carbon	1	
R56	ERD18TJ392	3.9k OHM 1/8W ±5% Carbon	1	
R57	ERD18VJ102	1k OHM 1/8W ±5% Carbon	1	
R58	ERD18VJ152	1.5k OHM 1/8W ±5% Carbon	1	
R59	ERD18VJ392	3.9k OHM 1/8W ±5% Carbon	1	
R60	ERD18VJ153	15k OHM 1/8W ±5% Carbon	1	
R61	ERD18VJ471	470 OHM 1/8W ±5% Carbon	1	
R62, 63	ERD18VJ104	100k OHM 1/8W ±5% Carbon	2	
R64	ERD18TJ104	100k OHM 1/8W ±5% Carbon	1	
R101	ERD18VJ120	12 OHM 1/8W ±5% Carbon	1	
R102	ERD18VJ123	12k OHM 1/8W ±5% Carbon	1	
R103	ERD18VJ102	1k OHM 1/8W ±5% Carbon	1	
R104	ERD18VJ331	330 OHM 1/8W ±5% Carbon	1	
R105	ERD18VJ151	150 OHM 1/8W ±5% Carbon	1	
R106	ERD18VJ181	180 OHM 1/8W ±5% Carbon	1	
R107	ERD18VJ563	56k OHM 1/8W ±5% Carbon	1	
R108	ERD18VJ333	33k OHM 1/8W ±5% Carbon	1	
R109	ERD18VJ104	100k OHM 1/8W ±5% Carbon	1	
R110	ERD18VJ102	1k OHM 1/8W ±5% Carbon	1	
R111	ERD18TJ103	10k OHM 1/8W ±5% Carbon	1	
R112	ERD18VJ682	6.8k OHM 1/8W ±5% Carbon	1	

Ref. No.	Part No.	Part Name & Description	Pcs Set	Remarks
SPEAKER				
SP	EAS18D56GK	86160-14091	Speaker	1
ACCESSORIES				
A1	YEF07082	86125-22040	Knob, Volume & Tuning	2
A2	YEF08034A	86124-20040	Knob, Tone & Dummy	2
A3	YEJN01008BW	90170-09165	Nut	2
A4	YEW02014AW	90201-09351	Washer	2
A5	YEJN01029FP	90179-06070	Lock Nut	2
A6	YF01428	86212-14020	Front Bracket	1
A7	YF01429	86211-14020	Front Bracket	1
A8	YEV12008	93319-15008	Screw w/Washer	4
A9	YET01017	93566-55514	Hex. Screw	4
A10	YECY01005	90980-04011	Capacitor	1
A12	YECY01073	90980-05039	Noise Filter	1

Ref. No.	Part No.	Part Name & Description	Pcs Set	Remarks
COILS, TRANSFORMERS AND CERAMIC FILTERS				
L52, 106	YELT06C003	RF Coil	2	
L54	YELT03C011	RF Coil	1	
L101	YEL007S045	RF Choke Coil	1	
L104	YELL07S069	OSC Coil	1	
L151	YELT04C330K	RF Coil	1	
FC51	YEAZ05BRH002	Tuner Core	1	
IFT101	YEIA07S7076A	AM IFT	1	
IFT102	YEIA07S7090	AM IFT	1	
IFT103	YEIA07S7093	AM IFT	1	
IFT104	YEIA07S7094	AM IFT	1	
IFT151	YEIF07S7049	FM IFT	1	
IFT152	YEIF07S7048	FM IFT	1	
IFT153	YEIF07S7047	FM IFT	1	
CF151, 152	YFIN09N5004	FM Ceramic Filter	2	
L701	YETO020F031	Choke Coil	1	

Replacement Parts List Model NO. CX-7335.T (TOYOTA PART NO. 86260-14100-A)

NOTES:

1. Be sure to make your orders of replacement parts according to this list.
2. Components identified by shaded area have special characteristics important for safety. When replacing any of these components, use only manufacturer's specified parts.
3. The column of Ref. No. indicates the located position of the parts on the EXPLODED VIEW, and see the cross section of the horizontal column (1 ~ up) and the vertical column (A ~ up).

Ref. No.	Part No.	Part Name & Description	Pcs Set	Remarks
MISCELLANEOUS				
PL1 (1-A)	YEAL24006L	Pilot Lamp	1	
PL2 (2-A)	YEAL24011L	Pilot Lamp	1	
CN3J (3-B)	EMCB0916A01	9P Jack	1	
M101 (2-B)	YEFA01225B	Chassis	1	
M102 (4-B)	YEFA03225B	Upper Cover	1	
M103 (1-C)	YEFA05126	Bottom Cover	1	
M104 (2-A)	YEFX021535	Mounting Bracket, Volume	1	
M105 (3-A)	YEFX021536A	Mounting Bracket, Balance	1	
M106 (1-A)	YEFC02376	Escutcheon Ast'y	1	
M107 (3-C)	YEFF04158B	Heat Sink	1	
M108 (3-C)	YEFX021635A	Mounting Bracket, IC	1	
M109 (4-C)	YEAJ07228	Power Supply/Speaker Cord w/13P Connector	1	
M110 (2-C)	YEFA08035	Rear Plate	1	
M111 (3-C)	YEFX021492	Mounting Bracket	1	
M112 (1-A)	YEFE13052	Button, Eject	1	
M113 (1-A)	YEFE08063	Knob, Tone Control	1	
M114 (1-A)	YEFE07069	Knob, Volume Control (w/Program Selector)	1	
M115 (3-A)	YEFE04016	Knob, Balance Control	1	
M116 (2-C)	YEFX007140	Clamper, Cord	1	
M117 (2-A)	YEJN01037FX	Nut, Hexagon	1	
M119 (1, 2-A)	YEFK04168	Holder, Pilot Lamp	2	
M120	XYN3 + F12FXS	ⓄScrew w/Washer, 3mm∅ x 12mm	2	
M121	XSB3 + 6FXS	ⓄScrew, Blind 3mm∅ x 6mm	7	
M124	XSN2 + 4FXS	ⓄScrew, Pan 2mm∅ x 4mm	2	
M125	XYN3 + F6FXS	ⓄScrew w/Washer, 3mm∅ x 6mm	3	

Ref. No.	Part No.	Part Name & Description	Pcs Set	Remarks
M126	YAFX016035	Cord Clamp	2	
M127	YEFM01335	Main Seal	1	

Ref. No.	Part No.	Part Name & Description	Pcs Set	Remarks
C304	ECEA16V10L	10 MFD 16VV	1	Electrolytic
C305	ECEA50V1L	1 MFD 50VV	1	Electrolytic
C306	YECQN1H472K	0.0047 MFD 50VV ±10%	1	Polyester
C307	ECEA10V47L	47 MFD 10VV	1	Electrolytic
C308	ECEA10V100L	100 MFD 10VV	1	Electrolytic
C309	ECEA10V47L	47 MFD 10VV	1	Electrolytic
C310	ECOM1H104MZ	0.1 MFD 50VV ±20%	1	Polyester
C311	ECEA16V1000Z	1000 MFD 16VV	1	Electrolytic
C351	YECQN1H102K	0.001 MFD 50VV ±10%	1	Polyester
C352	ECEA16V10L	10 MFD 16VV	1	Electrolytic
C353	ECEA6V100L	100 MFD 6VV	1	Electrolytic
C354	YECQN1H392K	0.0039 MFD 50VV ±10%	1	Polyester
C355	ECEA16V10L	10 MFD 16VV	1	Electrolytic
C701	ECEA16V100L	100 MFD 16VV	1	Electrolytic
C702	ECEA16V220L	220 MFD 16VV	1	Electrolytic
C703	ECEA10V330L	330 MFD 10VV	1	Electrolytic
C704	ECEA16V1500	1500 MFD 16VV	1	Electrolytic
C705	ECEA16V470Z	470 MFD 16VV	1	Electrolytic
C704 705	YECCL510334	1000 PF x 6	1	Feedthrough

RESISTORS

R201	ERD18VJ102	1k OHM 1/8W ±5%	1	Carbon
R202	ERD18VJ223	22k OHM 1/8W ±5%	1	Carbon
R203	ERD18VJ104	100k OHM 1/8W ±5%	1	Carbon
R204	ERD18VJ331	330 OHM 1/8W ±5%	1	Carbon
R205, 206	ERD18VJ222	2.2k OHM 1/8W ±5%	2	Carbon
R207	ERD18VJ152	1.5k OHM 1/8W ±5%	1	Carbon
R208	ERD18VJ821	820 OHM 1/8W ±5%	1	Carbon
R251	ERD18VJ333	33k OHM 1/8W ±5%	1	Carbon
R252	ERD18VJ221	220 OHM 1/8W ±5%	1	Carbon
R253	ERD18VJ563	56k OHM 1/8W ±5%	1	Carbon

Ref. No.	Part No.	Part Name & Description	Pcs Set	Remarks
ICs AND TRANSISTORS				
IC201	YEAMHA1366WR	Power Amp	1	
IC301	YEAMHA1366W	Power Amp	1	
IC202	YEAMM5152L	Pre Amp	1	
TR201, 301	2SC644	AF Amp	1	
DIODE				
D701	YEAD030	Spark Suppression	1	
CAPACITORS				
C201	YECDD12104M	0.1 MFD 12VV ±20%	1	Ceramic
C202	ECEA50V1L	1 MFD 50VV	1	Electrolytic
C203	YECQN1H473M	0.047 MFD 50VV ±20%	1	Polyester
C204	ECEA16V10L	10 MFD 16VV	1	Electrolytic
C205	ECEA50V1L	1 MFD 50VV	1	Electrolytic
C206	YECQN1H472K	0.0047 MFD 50VV ±10%	1	Polyester
C207	ECEA10V47L	47 MFD 10VV	1	Electrolytic
C208	ECEA10V100L	100 MFD 10VV	1	Electrolytic
C209	ECEA10V47L	47 MFD 10VV	1	Electrolytic
C210	ECOM1H104MZ	0.1 MFD 50VV ±20%	1	Polyester
C211	ECEA16V1000Z	1000 MFD 16VV	1	Electrolytic
C251	YECQN1H102K	0.001 MFD 50VV ±10%	1	Polyester
C252	ECEA16V10L	10 MFD 16VV	1	Electrolytic
C253	ECEA6V100L	100 MFD 6VV	1	Electrolytic
C254	YECQN1H392K	0.0039 MFD 50VV ±10%	1	Polyester
C255	ECEA16V10L	10 MFD 16VV	1	Electrolytic
C301	YECDD12104M	0.1 MFD 12VV ±20%	1	Ceramic
C302	ECEA50V1L	1 MFD 50VV	1	Electrolytic
C303	YECQN1H473M	0.047 MFD 50VV ±20%	1	Polyester

Ref. No.	Part No.	Part Name & Description	Pcs Set	Remarks
TAPE DECK PARTS				
HEAD				
H (4-B)	WY478AN	Playback Head	1	
MECHANICAL PARTS				
CN3P (4-D)	EMCS0901	9P Plug	1	
M200 (3-C)	YASAK0103A	Motor Ass'y (w/Pulley)	1	
M202 (2-B)	YEFX213120	Flywheel	2	
M203 (2-B)	YEFR03023	Flywheel Drive Belt	1	
M204 (1-C)	YEFX218126	Selector Plate Shaft Roller	3	
M205 (2-B)	YEFX218131	Head Chassis Guide Shaft Roller	1	
M206 (3-B)	YEFW06237	Cassette Link Bar	1	
M207 (2-B)	YEFX026044	Idler Pulley	1	
M208 (2-B)	YEFX046180	Idler	1	
M209 (3-B)	YEFX046141	FR Release Lever	1	
M210 (3-B)	YAFX033035	Clamper	2	
M211 (2-B)	YEW05013	Polyslider 2.5mm ϕ	3	
M212	YEJE01004	E-ring	18	
M213 (2-B)	YEFX014008	Stop Ring	2	
M214 (2-A)	YEFX005251	FR Lock Spring	1	
M215 (3-B, C)	YEFX005252	FR Stop Spring	2	
M216 (2-C)	YEFX005255	Idler Spring	1	
M217 (3-A)	YEFX005256A	Solenoid Spring	1	
M218 (2-B)	YEFX005254	Pressure Spring	1	
M219 (4-B)	YEFX005253	Head Chassis Spring	2	
M220 (4-A)	YEFX005248	Pinch Roller Return Spring (L)	1	
M221 (3-C)	YEFX005249	Pinch Roller Return Spring (R)	1	
M222 (4-A)	YEFX005247	Eject Arm Return Spring	1	
M223 (1-C)	YEFX005245A	Retaining Spring	1	
M224	XSN2 + 5FXS	⊕Screw, Pan 2mm ϕ x 5mm	1	
M225	XYN2 + C5FXS	⊕Screw w/Washer, 2mm ϕ x 5mm	3	

Ref. No.	Part No.	Part Name & Description	Pcs Set	Remarks
R254, 255	ERD18VJ333	33k OHM 1/8W \pm 5% Carbon	2	
R256	ERD18VJ394	390k OHM 1/8W \pm 5% Carbon	1	
R257	ERD18VJ332	3.3k OHM 1/8W \pm 5% Carbon	1	
R301	ERD18VJ102	1k OHM 1/8W \pm 5% Carbon	1	
R302	ERD18VJ223	22k OHM 1/8W \pm 5% Carbon	1	
R303	ERD18VJ104	100k OHM 1/8W \pm 5% Carbon	1	
R304	ERD18VJ331	330 OHM 1/8W \pm 5% Carbon	1	
R305, 306	ERD18VJ222	2.2k OHM 1/8W \pm 5% Carbon	2	
R307	ERD18VJ152	1.5k OHM 1/8W \pm 5% Carbon	1	
R308	ERD18VJ821	820 OHM 1/8W \pm 5% Carbon	1	
R351	ERD18VJ333	33k OHM 1/8W \pm 5% Carbon	1	
R352	ERD18VJ221	220 OHM 1/8W \pm 5% Carbon	1	
R353	ERD18VJ563	56k OHM 1/8W \pm 5% Carbon	1	
R354, 355	ERD18VJ333	33k OHM 1/8W \pm 5% Carbon	2	
R356	ERD18VJ394	390k OHM 1/8W \pm 5% Carbon	1	
R357	ERD18VJ332	3.3k OHM 1/8W \pm 5% Carbon	1	
R701	ERD18VJ181	180 OHM 1/8W \pm 5% Carbon	1	
R702	ERD18VJ271	270 OHM 1/8W \pm 5% Carbon	1	
R703	ERD18VJ221	220 OHM 1/8W \pm 5% Carbon	1	
R704	ERD18TJ152	1.5k OHM 1/8W \pm 5% Carbon	1	
VARIABLE RESISTORS				
VR201, 301	EWPKRS15D24	20k OHM (D) x 2 Tone Control	1	
202, 302		20k OHM (D) x 2 Volume Control		
w/SW4		w/Program Selector Switch		
VR251	EVLMBAT12G24	20k OHM (G) Balance Control	1	
COIL				
L701	YET0020F031	Choke Coil	1	

Ref. No.	Part No.	Part Name & Description	Pcs Set	Remarks
M261	(4-B)	YEAJ18112	Head Shield Wire (Red)	1
M262	(4-B)	YEAJ18113	Head Shield Wire (Black)	1
M263	(4-B)	YEFX024038	Tube, Head Shield Wire	1
M264	(1-B)	YEAJ18098	Lead Switch Shield Wire	1
M266	(4-D)	YEFF01140	Heat Sink	1
M267	(4-D)	YEFV03055	Shield Plate	1
M268		XWE3FX	E-Ring 3mmφ	1
M269		XYN3 + C8FXS	⊕Screw w/Washer, 3mmφ x 8mm	1
M270		XSB26 + 6FXS	⊕Screw, Blind 2.6mmφ x 6mm	5
M271		YEAJ18063	Shield Wire	1

Ref. No.	Part No.	Part Name & Description	Pcs Set	Remarks
M226	XSB26 + 4FXS	⊕Screw, Blind 2.6mmφ x 4mm	3	
M228	YEJS06009	⊕Screw w/Washer,	2	
M229	XSB3 + 5FXS	⊕Screw, Blind 3mmφ x 5mm	2	
M230	(3-B) YEFA01203A	Chassis Ass'y	1	
M231	(4-B) YEFA01204	Head Chassis Ass'y	1	
M232	(2-A) YEFX239138	Cassette Guide Ass'y (L)	1	
M233	(2-A) YEFX239139	Cassette Guide Ass'y (R)	1	
M234	(4-A) YEFX046150A	Eject Lever Ass'y	1	
M235	(1-B) YEFX021515A	Reel Holder Ass'y	1	
M236	(1-B) YEFX005317	Back Tension Spring (L)	1	
M237	(1-B) YEFX005318	Back Tension Spring (R)	1	
M238	(1-B) YAJW05010	Polyslider 2mmφ	2	
M240	(1-B) YEFX014007	Stop Ring	2	
M241	(1-B) YEFX209114B	Reel Base Ass'y	2	
M242	(1-C) YEFX218132	FR Roller Ass'y	1	
M243	(4-A) YEFX218133	Pinch Roller Ass'y (L)	1	
M244	(3-C) YEFX218134	Pinch Roller Ass'y (R)	1	
M245	(1-C) YEFX234105	Selector Cam Ass'y	1	
M246	(1-C) YEFX046178	Selector Plate Ass'y	1	
M247	(3-B, C) YEFX046154	Idler Plate Ass'y	2	
M248	(2-B) YEFX021444	FF Plate Ass'y	1	
M249	(2-A) YEFX046156	FR Lock Plate Ass'y (L)	1	
M250	(2-A) YEFX046157	FR Lock Plate Ass'y (R)	1	
M251	(3-B) YEFX030015	FR Stop Plate Ass'y (L)	1	
M252	(3-C) YEFX030016	FR Stop Plate Ass'y (R)	1	
M253	(3-A) YEFX046158A	Cassette Guide Link Ass'y (L)	1	
M254	(2-C) YEFX046159A	Cassette Guide Link Ass'y (R)	1	
M255	(2-C) YEFX046155	Idler Plate Ass'y	1	
M256	(2-B) YEFX021443	Flywheel Holder Ass'y	1	
M256-1	(2-B) YAFX019007	Thrust Sheet	1	
M257	(3-A) YEAX01013A	Plunger Solenoid		
M258	(3-A) YEFX046160	Solenoid Lever Ass'y	1	
M259	(3-A) YEFW06227	Solenoid Lever Shaft	1	
M260	(3-A) XUC18FX	E-Ring 5mmφ	2	

Ref. No.	Part No.	Part Name & Description	Pcs Set	Remarks
SWITCHES				
SW1	YEAS07040A	Reverse Switch	1	
SW2	YEAS07041	Tape/Radio Selector Switch	1	
SW3	YEAS13112	Muting Switch	1	
SW5, 6	YEAS07039	Tape End Detecting Switch	2	
IC AND TRANSISTOR				
IC1	EHM013D01	Automatic Reversing	1	
TR1	2SD389	Solenoid Control	1	
DIODES				
D1, 2	YAAD018	Automatic Reversing	2	
D3	YEAD030	Spark Suppression	1	
CAPACITORS				
C1, 3	ECEA16V10L	10 MFD 16WV Electrolytic	3	
C4	ECEA50V1L	1 MFD 50WV Electrolytic	1	