

**WHIRLPOOL AUSTRALASIA
CONSUMER SERVICES**

SERVICE MANUAL

MICROWAVE OVEN

**Model 6MT243/RED
Version 8538 243 53391**

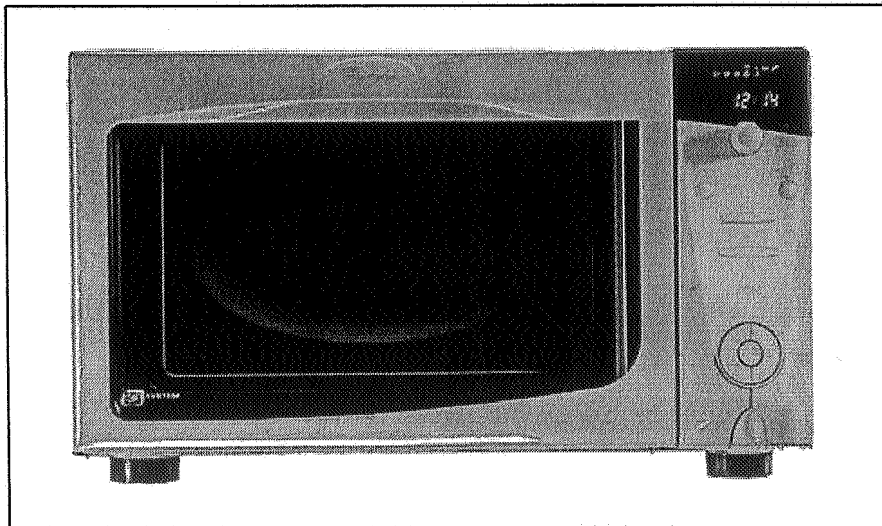
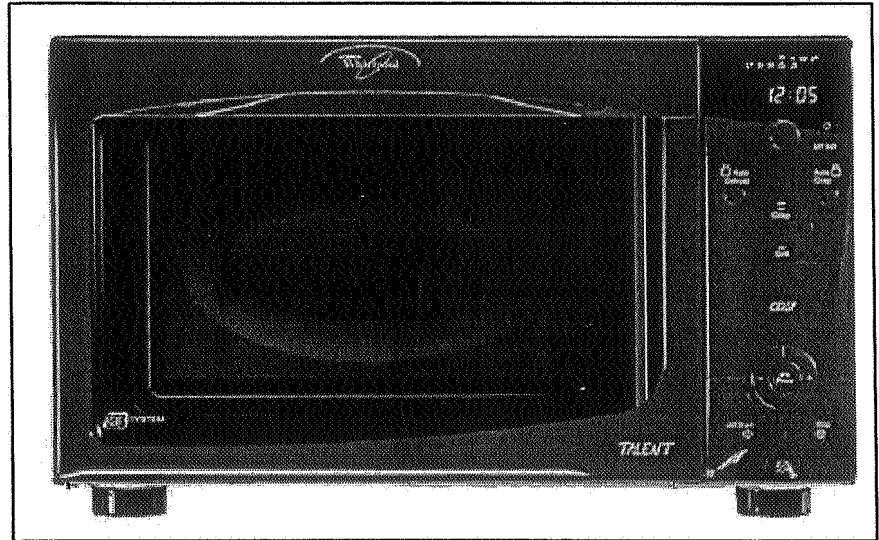
**Model 6MT243/YELLOW
Version 8538 243 53591**

**Model 6MT243/BLUE
Version 8538 243 53091**

This Service Manual must be read in conjunction with latest edition of the Service Manual for Model MT243 WH.

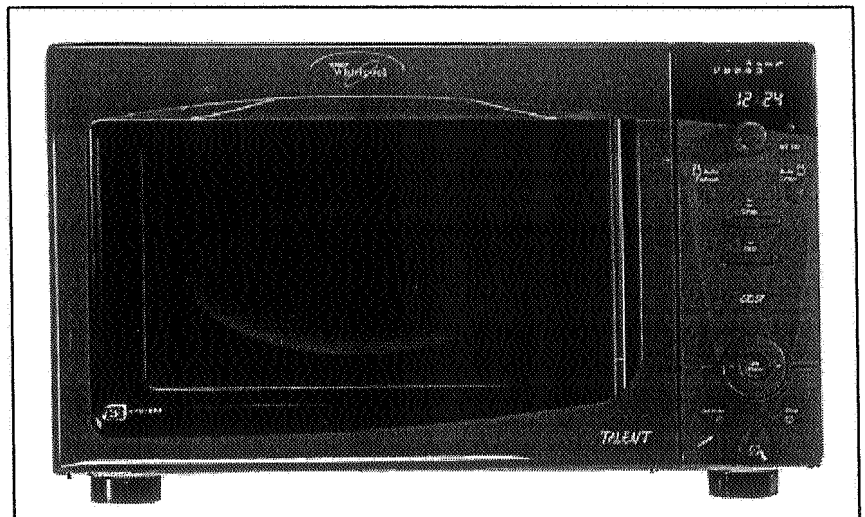
This documentation is intended only for qualified technicians who possess the required qualifications and are aware of the regulatory requirements applicable to servicing electrical appliances.

MODEL 6MT243/RED



MODEL
6MT243/YELLOW

MODEL 6MT243/BLUE



CONTENTS

	Page
INTRODUCTION	4
SAFETY	4
CAUTION – MICROWAVE RADIATION	4
WARNING – HIGH VOLTAGE	4
TECHNICAL DATA	5
EXPLODED VIEW	6
SPARE PARTS LIST	7 – 8
CIRCUIT DIAGRAM	9

INTRODUCTION

Before leaving the factory each oven is carefully checked. It must however, be installed and used correctly.

Despite all the steps taken to make the oven safe, the safety is dependent on the correct installation and the fact the user understands how to use and maintain the oven.

The information in this section should be used as a reminder that the oven is safe and that anyone who uses it must first read the instructions for use in order to be able to use the oven correctly and obtain best results.

SAFETY

To avoid injury to yourself and damage to the appliance always work to the following rules when servicing an oven.

Always disconnect the plug from the mains before starting work.

If there is no plug, switch off the electrical supply at the control box.

When you have finished servicing an oven and before you reconnect it to the mains make sure that:

- all the internal connections are correct
- the wires are insulated and not touching the door or the cabinet or anything sharp
- all the earth connections are electrically and mechanically sound
- do not modify or anyway interfere with the safety devices built-in to the oven
- make sure that each replacement part you use conforms to the manufacturer's specifications.

Do not start a repair if you have any doubt as to your ability to complete it.

CAUTION - MICROWAVE RADIATION

PERSONNEL SHOULD NOT BE EXPOSED TO THE MICROWAVE ENERGY WHICH MAY RADIATE FROM THE MAGNETRON, WAVEGUIDE OR ANTENNA IF THEY ARE IMPROPERLY USED OR CONNECTED. ALL INPUT AND OUTPUT MICROWAVE CONNECTIONS, WAVEGUIDES, FLANGES AND GASKETS MUST BE SECURE. NEVER OPERATE THE DEVICE WITHOUT A MICROWAVE ENERGY ABSORBING LOAD ATTACHED. NEVER LOOK INTO AN OPEN WAVEGUIDE OR ANTENNA WHILE THE DEVICE IS ENERGISED. NEVER OPERATE AN OVEN WITH THE CABINET OFF WITHOUT MEASURING THE MICROWAVE LEAKAGE AROUND MAGNETRON AND VISIBLE MICROWAVE CONNECTIONS (WELDING JOINTS.)

Do not operate the oven if the following conditions exist:

- the door does not close firmly against the door support because of the door being warped or the hinges damaged.
- the door trims or seals are damaged
- if there is any visible damage to the oven
- if the door does not close properly

Avoid operating the oven if known components in the interlock system, oven door or microwave generating assembly are known to be defective. They must be replaced.

WARNING - HIGH VOLTAGE

IT IS POSSIBLE TO COME IN CONTACT WITH LETHAL HIGH VOLTAGE WHEN WORKING WITH HV TRANSFORMER, HV CAPACITOR AND MAGNETRON. THEREFORE NEVER TRY TO MEASURE THE HIGH VOLTAGE. ALWAYS TAKE UTMOST CARE WHEN PERFORMING ELECTRICAL MEASUREMENTS INSIDE THE OVEN.

TECHNICAL DATA**Dimensions of Cabinet**

Height	320	mm
Width	530	mm
Depth	475	mm

Minimum clearance over top of cabinet	150	mm
--	-----	----

Dimensions of Cavity

Height	205	mm
Width	325	mm
Depth	370	mm
Cavity Volume	26	l

Weight

Packed	23.5	kg
--------	------	----

Electrical

Voltage	230 - 240	V
Frequency	50	Hz
Power consumption	2400	W
Fuse	10	A

Microwave Power

Nominal Input Power	1400	W
Nominal Output Power	800	W
Microwave frequency	2450	Mhz

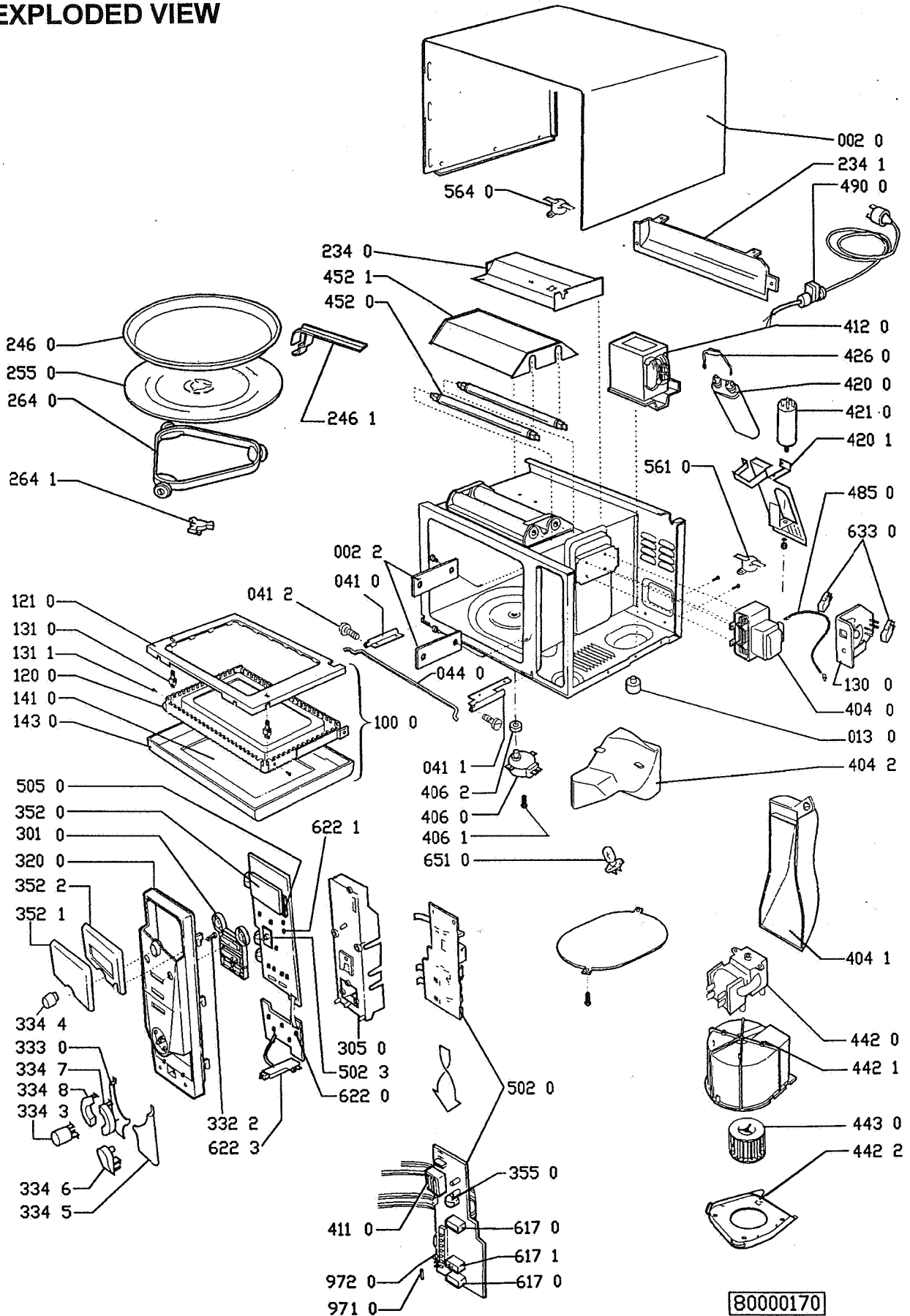
Grill Element

Nominal input power	1000	W
---------------------	------	---

Timer

Electronic Touch	90	min
------------------	----	-----

EXPLODED VIEW



80000170

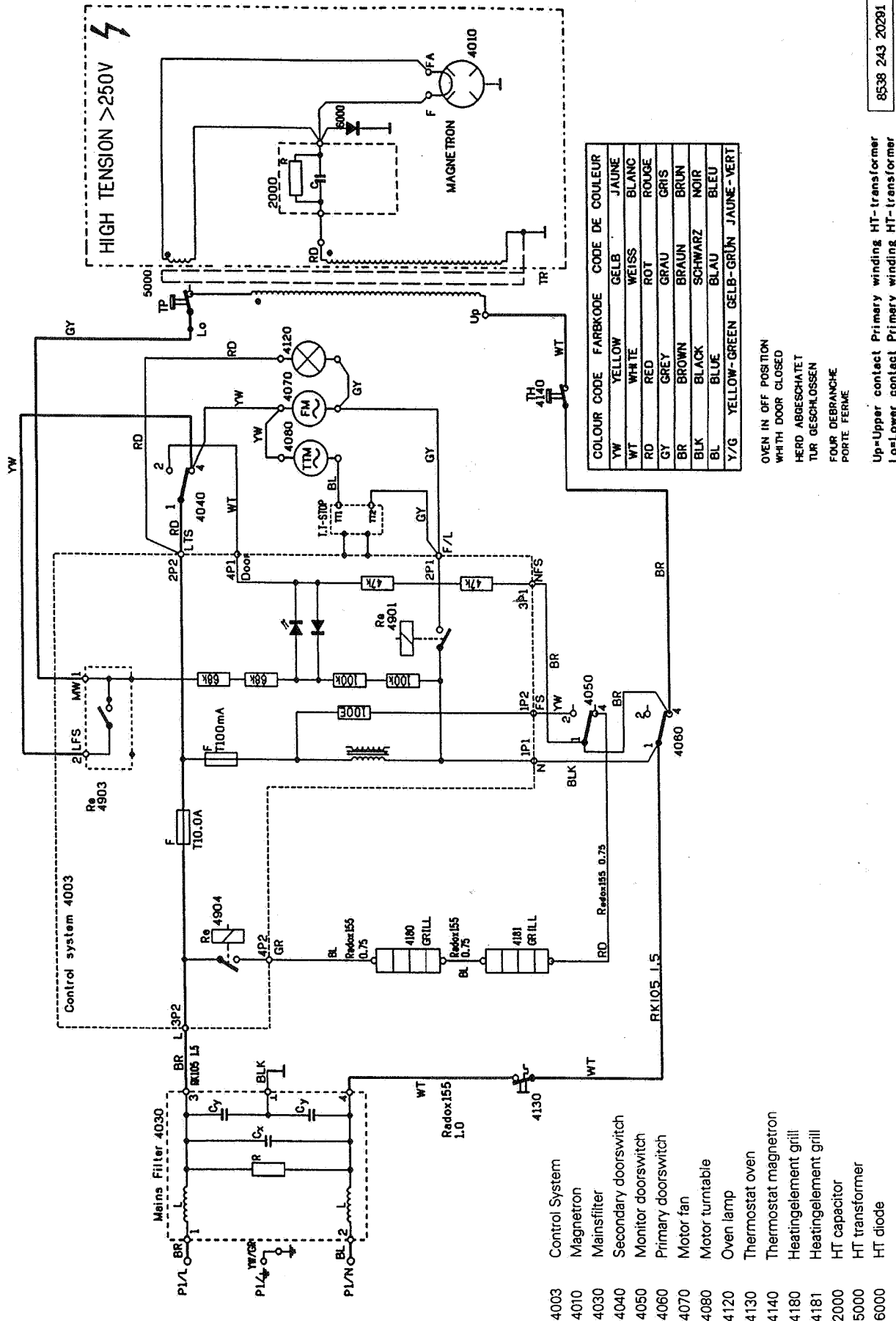
SPARE PARTS LIST

Item	Part No			Description
	MT243/RED	MT243/YELLOW	MT243/BLUE	
002 0	4819 442 39194	4819 442 39196	4819 442 39192	Cabinet
002 2	4819 442 38914	4819 442 38914	4819 442 38914	Cover, mica plate, upper
002 2	4819 462 88031	4819 462 88031	4819 462 88031	Cover, mica plate, lower
013 0	4819 462 79423	4819 462 79423	4819 462 79423	Foot
041 0	4819 417 19547	4819 417 19547	4819 417 19547	Hinge left
041 1	4819 417 19548	4819 417 19548	4819 417 19548	Hinge right
041 2	4819 535 98354	4819 535 98354	4819 535 98354	Shaft
044 0	4819 492 48168	4819 492 48168	4819 492 48168	Spring
100 0	4819 442 39193	4819 442 39195	4819 442 39191	Door complete
120 0	4819 442 38917	4819 442 38917	4819 442 38917	Door, inner
121 0	4819 459 48832	4819 459 48832	4819 459 48832	Frame door inner
130 0	4819 404 79332	4819 404 79332	4819 404 79332	Unit, pushbutton, door switch
131 0	4819 535 38153	4819 535 38153	4819 535 38153	Lock door
131 1	4819 502 18402	4819 502 18402	4819 502 18402	Screw lock door
141 0	4819 450 58203	4819 450 58203	4819 450 58203	Oven glass
143 0	4819 459 48873	4819 459 48874	4819 459 48872	Frame
234 0	4819 325 18122	4819 325 18122	4819 325 18122	Plate / Holder
234 1	4819 462 38878	4819 462 38878	4819 462 38878	Casing
246 0	4819 418 79576	4819 418 79576	4819 418 79576	Crisp plate
246 1	4819 498 78193	4819 498 78193	4819 498 78193	Handle crisp
255 0	4819 466 78405	4819 466 78405	4819 466 78405	Turntable
264 0	4819 535 79159	4819 535 79159	4819 535 79159	Rail
264 1	4819 462 38767	4819 462 38767	4819 462 38767	Crosspiece
301 0	4819 410 29065	4819 410 29066	4819 410 29068	Switch, pushbutton.
305 0	4819 404 79333	4819 404 79333	4819 404 79333	Holder
320 0	4819 453 58824	4819 453 58825	4819 453 58823	Control panel
332 2	4819 410 28924	4819 410 28924	4819 410 28924	Button clockset
333 0	4819 410 29061	4819 410 29062	4819 410 29048	Button start
334 3	4819 410 29054	4819 410 29061	4819 410 29047	Button power
334 4	4819 411 29484	4819 411 29485	4819 677 43151	Knob timer
334 5	4819 410 29056	4819 410 29063	4819 410 29049	Button stop
334 6	4819 410 29057	4819 410 29064	4819 410 29051	Button ft-stop
334 7	4819 410 29053	4819 410 29059	4819 410 29046	Button plus
334 8	4819 410 29052	4819 410 29058	4819 410 29045	Button minus
352 0	4819 130 38083	4819 130 38083	4819 130 38083	Display
352 1	4819 450 58204	4819 450 58204	4819 450 58204	Glass for display
352 2	4819 462 38879	4819 462 38879	4819 462 38879	Display chart
355 0	4819 280 18029	4819 280 18029	4819 280 18029	Buzzer
404 0	4819 131 58019	4819 131 58019	4819 131 58019	Magnetron
404 1	4819 462 38875	4819 462 38875	4819 462 38875	Conveyor
404 2	4819 462 38874	4819 462 38874	4819 462 38874	Air guide

SPARE PARTS LIST (Cont.)

Item	Part No			Description
	MT243/RED	MT243/YELLOW	MT243/BLUE	
406 0	4819 361 18381	4819 361 18381	4819 361 18381	Motor TT
406 1	4819 502 18372	4819 502 18372	4819 502 18372	Screw for TT Motor
406 2	4819 532 68686	4819 532 68686	4819 532 68686	Gasket ring
411 0	4819 148 68076	4819 148 68076	4819 148 68076	Transformer
412 0	4819 145 78217	4819 145 78217	4819 145 78217	Transformer, HT 240 V
420 0	4819 121 38012	4819 121 38012	4819 121 38012	Capacitor HT
420 1	4819 404 78839	4819 404 78839	4819 404 78839	Bracket capacitor
421 0	4819 121 18162	4819 121 18162	4819 121 18162	Filter, mains
426 0	4819 121 18265	4819 121 18265	4819 121 18265	Diode HV
442 0	4819 361 18361	4819 361 18361	4819 361 18361	Motor Blower
442 1	4819 462 38876	4819 462 38876	4819 462 38876	Cap fan
442 2	4819 462 38877	4819 462 38877	4819 462 38877	Inlet fan
443 0	4819 515 28224	4819 515 28224	4819 515 28224	Fan wheel
452 0	4819 259 98557	4819 259 98557	4819 259 98557	Infrared element
452 1	4819 325 18123	4819 325 18123	4819 325 18123	Reflector
485 0	4819 320 28025	4819 320 28025	4819 320 28025	Cable, HT
490 0	4819 321 18242	4819 321 18242	4819 321 18242	Cable-mains
502 0	4819 214 78651	4819 214 78651	4819 214 78651	Control unit
502 3	4819 101 48142	4819 101 48142	4819 101 48142	Potentiometer
505 0	4819 209 88002	4819 209 88002	4819 209 88002	Microprocessor
561 0	4819 282 48281	4819 282 48281	4819 282 48281	Thermostat for magnetron 125C
564 0	4819 282 48275	4819 282 48275	4819 282 48275	Thermostat 165C
617 0	4819 280 68363	4819 280 68363	4819 280 68363	Relay
617 1	4819 280 68321	4819 280 68321	4819 280 68321	Relay
622 0	4819 276 18349	4819 276 18349	4819 276 18349	Switch VKS
622 1	4819 276 18273	4819 276 18273	4819 276 18273	Switch VKS
622 3	4819 271 38256	4819 271 38256	4819 271 38256	Switch
633 0	4819 276 18336	4819 276 18336	4819 276 18336	Switch, door
651 0	4819 134 28029	4819 134 28029	4819 134 28029	Lamp cavity 240V-25W
911 0	4819 502 38274	4819 502 38274	4819 502 38274	Screw for trafo M4x16St
971 0	4819 252 28125	4819 252 28125	4819 252 28125	Fuse 10A
972 0	4819 252 28121	4819 252 28121	4819 252 28121	Fuse T100mA

CIRCUIT DIAGRAM



8538 243 20291