



Dishwashers

niagara

251

261

271

281

 **ELETTROBAR**

The Benefit Makers

ELETTROBAR

the benefit makers



niagara

In our history, over 40 years long, we have built more than half a million dishwashers; this outstanding experience is the key of our success: it gives us the knowledge to improve day by day our capability to design and build products that deliver to professional caterers real benefits at a good price.

We are conscious that environmental problems are more and more important and everybody must play their role: our products use, therefore, advanced technologies in order to reduce the consumptions of water, energy and chemical products. A real help to the Earth and good savings for you.



First benefit: performances

Improving the quality of Elettrobar's washing? Mission accomplished! With our patented EWT (Elettrobar warewashing technique) we have improved our washing results by 10%*:

Clean dishes, lower energy consumption, lower noise: these are the results of the EWT circuit with double flow pump that reduces the loss of hydraulic power; the highly appreciated Elettrobar Technological Arm allows a perfect distribution of the water over the rack, it's very light, and for this reason needs less energy to turn and it is also extremely easy to dismantle and clean.

Second benefit:: simplicity

A dishwasher that may be used even by a child? Niagara by Elettrobar! Electronic user-friendly control panel, three single action push buttons, few control lamps and a display for tank and boiler temperature. You can train the machine operator in a very short time. The system also includes a Thermostop function assuring the hygiene of your dishes, a self-diagnostic program reducing the maintenance costs, a cycle-counter and an energy saving option for the periods of stop and go operations.



Third benefit: running costs

Washing and saving over 350 € per year; a dream? No, Elettrobar Technology! Niagara is equipped with the patented EDS (Elettrobar Drain System) device.

It is based on the physical principle of communicating vessels and forces the water to go through the dirtiest areas of the tank before being drained away, helping to keep the tank cleaner. This leads to a reduction in tank volume as well as a detergent concentration reduction. Accurate studies gave us the opportunity to reduce the rinse water consumption and increase your savings.

niagara



Fourth benefit: ecology

Washing dishes while protecting the environment; impossible? Not with Niagara! New patented technologies for washing and draining, improved rinse and accurate studies to minimize any kind of loss, give you a dishwasher that saves up to 14.000 lt of water, 70 Kg of chemical products and 700 Kwh* a year. A great saving for you but, more important, a real help to the safeguard of our environment.

Fifth benefit: ease of cleaning

End service cleaning is just half of the time? With Niagara you can! Any single detail has been designed to make this unpleasant operation easier: tank and rack drives are fully deep drawn, integral surface strainers are standard in all the machines, all washing chambers are pipe-free, all pumps are self emptying and the pressostat intake is placed outside the tank (Elettrobar patent). This all reduces the required time for cleaning of at least 10' each time: enjoy your spare!

Sixth benefit: ergonomics

A better efficiency of your personnel; utopia? No, Niagara by Elettrobar. Many useful details reduce the operator fatigue and improve their efficiency: moving the racks is made easier by the embossed drives in the counterdoor and the strength required for opening a door or lifting a hood is limited to 3 Kg only (40% less, Elettrobar patent). The compact overall dimensions, despite the great usable internal volume, allow an easy positioning in any kitchen.

* Comparison with Niagara 51, 60 cycles per day, 2 services, 320 days per year.

niagara 251



THE PRODUCT

This glasswasher/dishwasher is only 72 cm tall; its 280 mm high door allows the washing of up to 1.400* glasses or 540 standard plates per hour. It is equipped with two selectable cycle and a soft start option to prevent even the most delicate items from damages. Niagara 251 is four times less noisy of a traditional machine and its ability to reduce water, detergent and energy consumption make you save up to 350 € a year** with a not negligible help to the preservation of the environment.

TECHNICAL DATA

| | | |
|-----------------------------------|------------------|-----------------|
| Dimensions | mm | 600 x 600 x 720 |
| Usable opening | mm | 285 |
| Tank volume | lt | 15 |
| Wash cycles duration | sec | 90-120 |
| Water consumption | Lt/rack | 2,9 |
| Wash pump power | W | 600 |
| Electrical power at 400V/50Hz/3ph | W | 5.450 |
| Electrical power at 230V/50Hz/1ph | W | 3.550 |
| Detergent dispenser | | Kit |
| Equipped with drain pump | | Niagara 251 DP |
| Equipped with water softner | | Niagara 251 D |
| Standard equipment | 1 glasses rack | 780078 |
| | 1 cutlery insert | 712019 |

Continual improvements may supersede.



* Diameter 8 cm.

** Comparison with Niagara 51, 60 cycles per day, 2 services, 320 days per year.

niagara **261**

THE PRODUCT

Economic and versatile dishwasher; equipped with a 380 mm tall door can wash even pizza plates and Gastronorm 1/1 trays with a maximum output of 720 plates/hr. Two selectable cycles allow you to adapt the washing time to the soil level and our special soft start treats smoothly even the most fragile pieces of crockery. Niagara can hardly be heard: it is four time less noisy than a traditional machine and its low consumption make you save over 350 € a year*.

TECHNICAL DATA

| | | |
|-----------------------------------|---------|-----------------|
| Dimensions | mm | 600 x 600 x 820 |
| Usable opening | mm | 380 |
| Tank volume | lt | 15 |
| Wash cycles duration | sec | 90-120 |
| Water consumption | Lt/rack | 2,9 |
| Wash pump power | W | 600 |
| Electrical power at 400V/50Hz/3ph | W | 5.450 |
| Electrical power a 230V/50Hz/1ph | W | 3.550 |
| Detergent dispenser | | Kit |
| Equipped with drain pump | | Niagara 261 DP |
| Equipped with water softner | | Niagara 261 D |

| | | |
|--------------------|------------------|--------|
| Standard equipment | 1 plates rack | 780072 |
| | 1 cutlery insert | 712019 |

Continual improvements may supersede.



* Comparison with Niagara 51, 60 cycles per day, 2 services, 320 days per year.

niagara 271



THE PRODUCT

Ergonomic and versatile dishwasher; equipped with a 400 mm tall door can wash pizza plates, Gastronorm 1/1 trays and even 60/40 bakery oven trays with a maximum output of 720 plates/hr. Two selectable cycles allow you to adapt the washing time to the soil level and our special soft start treats smoothly even the most fragile pieces of crockery. Niagara 271 can hardly be heard: it is twice less noisy than a traditional machine but is equipped with a high power pump for outstanding results. The perfect choice for all the restaurants with an high number of meals served and a limited space in the kitchen.

TECHNICAL DATA

| | | |
|-----------------------------------|------------------|-------------------|
| Dimensions | mm | 670 x 720 x 1.450 |
| Usable opening | mm | 400 |
| Tank volume | lt | 20 |
| Wash cycles duration | sec | 90-120 |
| Water consumption | Lt/rack | 2,9 |
| Wash pump power | W | 800 |
| Electrical power at 400V/50Hz/3ph | W | 6.800 |
| Electrical power at 230V/50Hz/1ph | W | n.a. |
| Detergent dispenser | | Kit |
| Equipped with drain pump | | Kit |
| Equipped with water softner | | n.a. |
| Standard equipment | 1 plates rack | 780072 |
| | 1 cutlery insert | 712019 |

Continual improvements may supersede.



* Equipped with the special 45320 optional plates rack.

niagara **281**

THE PRODUCT

Ergonomic and versatile hood-type dishwasher (hood opening 410 mm) can wash pizza plates and Gastronorm 1/1 trays; the theoretical output can reach 900 plates/hr**. Two selectable cycles, in-line or corner installations are possible without modifications. The reduced hood lift strength and the easy to clean construction make the operators' fatigue lower and their efficiency higher. Twice less noisy than an old generation unit. Its reduced water and energy consumptions make you save over 250 € a year***.

TECHNICAL DATA

| | | |
|-----------------------------------|---------|-------------------|
| Dimensions | mm | 640 x 740 x 1.509 |
| Usable opening | mm | 410 |
| Tank volume | lt | 15 |
| Wash cycles duration | sec | 90-120 |
| Water consumption | Lt/rack | 2,9 |
| Wash pump power | W | 600 |
| Electrical power at 400V/50Hz/3ph | W | 8.150 |
| Electrical power at 230V/50Hz/1ph | W | 3.350 |
| Detergent dispenser | | Kit |
| Equipped with drain pump | | Kit |
| Equipped with water softner | | n.a. |

| | | |
|--------------------|------------------|--------|
| Standard equipment | 1 plates rack | 780072 |
| | 1 cutlery insert | 712019 |

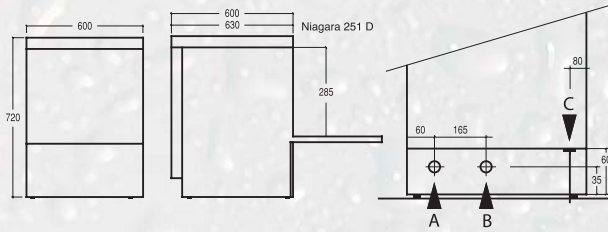
Continual improvements may supersede.



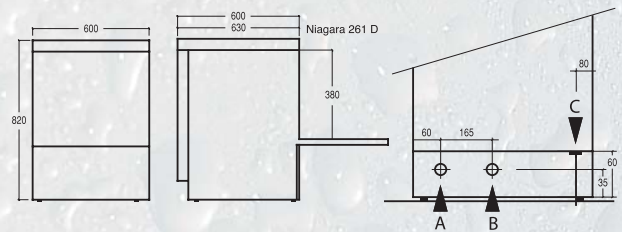
** Equipped with the special 983030 optional plates rack.

*** Comparison with E 78, 80 cycles per day, 2 services, 320 days per year.

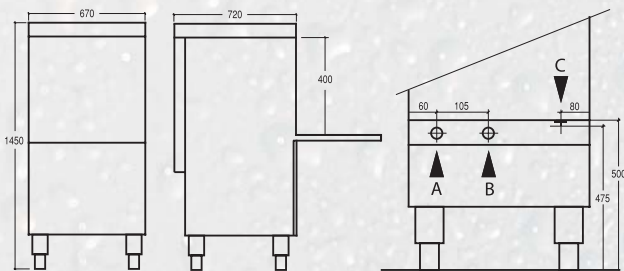
niagara 251



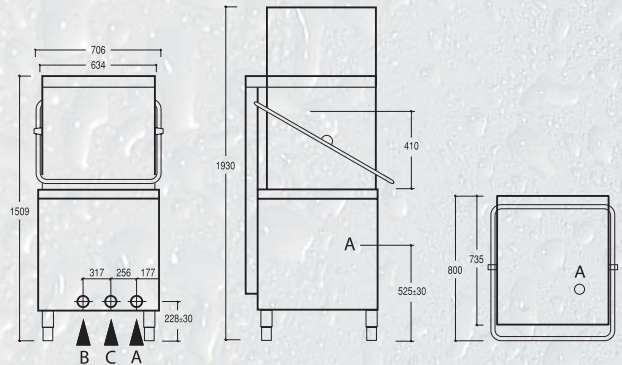
niagara 261



niagara 271



niagara 281



| | | |
|---|--|--------------|
| A | | Ø 50 mm M |
| B | | Ø 3/4" GAS M |
| C | | |

ELETTROBAR

