

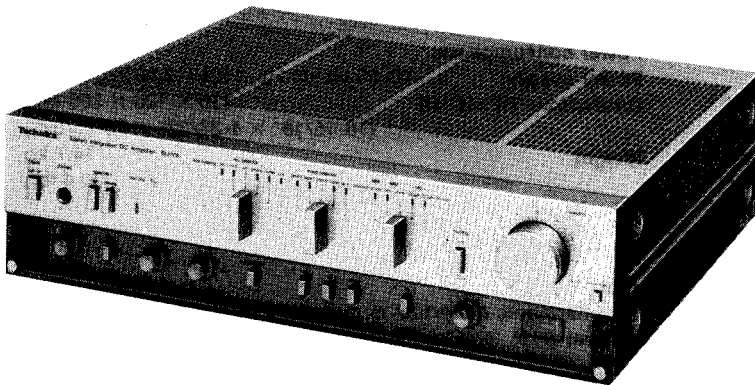
Service Manual

Stereo Integrated Amplifier

SU-V9

[D],[EG],[EK],[EF],[EH],
[EB],[Ei],[EW],[XA],[XL]

SU-V9(K)

[D],[EG],[EK],[EF],
[EH],[Ei],[EW],[XA],[XL]

- * The cabinet and front panel are available in black color and silver types.
- * The black type model is provided with (K) in the Service Manual.

Areas

- * [D] is available in Scandinavia.
- * [EG] is available in F.R. Germany.
- * [EK] is available in United Kingdom.
- * [EF] is available in France.
- * [EH] is available in Holland.
- * [EB] is available in Belgium.
- * [Ei] is available in Italy.
- * [EW] is available in Switzerland.
- * [XA] is available in Southeast Asia, Oceania, Africa, Middle Near East and Central South America.
- * [XL] is available in Australia.

CONTENTS

	Page
SPECIFICATIONS (English)	1, 2
TECHNISCHE DATEN (Deutsch)	2, 3
CARACTERISTIQUES (Français)	3, 4
ESPECIFICACIONES (Español)	4
LOCATION OF CONTROLS	5, 6
DISASSEMBLY INSTRUCTIONS	6~9
MEASUREMENTS AND ADJUSTMENTS (English)	9
MESSUNGEN UND JUSTIERUNGEN (Deutsch)	10
MESURAGES ET REGLAGES (Français)	10, 11
MEDICIONES Y AJUSTES (Español)	11

English

	Page
ADJUSTMENT POINTS	12
REPLACEMENT PARTS LIST	
Electric Parts	13, 14, 33
Cabinet and Chassis Parts	33, 34
CIRCUIT BOARDS	
AND WIRING CONNECTION DIAGRAM	15~22
BLOCK DIAGRAM	23~25
SCHEMATIC DIAGRAM	26~32
EXPLODED VIEWS	35, 36

Specifications (Specifications are subject to change without notice for further improvement.)

(DIN 45 500)

AMPLIFIER SECTION

20 Hz~20 kHz continuous power output both channels driven	2 × 120W (4Ω) 2 × 120W (8Ω)
40 Hz~16 kHz continuous power output both channels driven	2 × 120W (4Ω) 2 × 120W (8Ω)
1 kHz continuous power output both channels driven	2 × 120W (4Ω) 2 × 120W (8Ω)
Total harmonic distortion	
rated power at 20 Hz~20 kHz	0.007% (4Ω) 0.003% (8Ω)
rated power at 40 Hz~16 kHz	0.007% (4Ω) 0.003% (8Ω)
rated power at 1 kHz	0.007% (4Ω) 0.003% (8Ω)
half power at 20 Hz~20 kHz	0.003% (8Ω)
half power at 1 kHz	0.0007% (8Ω)
-26 dB power at 1 kHz	0.01% (4Ω)
50 mW power at 1 kHz	0.01% (4Ω)
Intermodulation distortion	
rated power at 250 Hz: 8 kHz=4:1, 4Ω	0.01%
rated power at 60 Hz: 7 kHz=4:1, SMPTE, 8Ω	0.007%

Power bandwidth

both channels driven, -3 dB

5 Hz~70 kHz (4Ω T.H.D 0.03%)

5 Hz~70 kHz (8Ω T.H.D 0.02%)

Residual hum and noise

0.7 mV

Damping factor

40 (4Ω), 80 (8Ω)

Input sensitivity and impedance

PHONO MM

1 mV/47kΩ

2.5 mV/47kΩ

PHONO MC

100 μV/100Ω

250 μV/220Ω

TUNER, AUX

150 mV/33kΩ

TAPE 1 REC/PLAY

170 mV/39kΩ

TAPE 2

150 mV/33kΩ

PHONO maximum input voltage (1 kHz, RMS)

MM (2.5 mV)

170 mV

MC (250 μV)

17 mV

S/N

rated power (4Ω)

PHONO MM (2.5 mV)

79 dB (88 dB, IHF, A)

MC (250 μV)

71 dB (71 dB, IHF, A)

TUNER, AUX, TAPE

91 dB (IHF, A: 103 dB)

-26 dB power (4Ω)

PHONO MM (2.5 mV)

70 dB

MC (250 μV)

68 dB

TUNER, AUX, TAPE

71 dB

Technics

Matsushita Electric Trading Co., Ltd.

P.O. Box 288, Central Osaka Japan

50 mW power (4Ω)		Channel balance, AUX 250 Hz~6,300 Hz	±1 dB
PHONO MM (2.5 mV)	64 dB	Channel separation, AUX 1 kHz	55 dB
MC (250 μV)	63 dB	Headphones output level and impedance	560 mV/330Ω
TUNER, AUX, TAPE	65 dB	Load impedance	
Frequency response		MAIN or REMOTE	4Ω~16Ω
PHONO	RIAA standard curve	MAIN and REMOTE	8Ω~16Ω
	±0.2 dB (30 Hz~15 kHz)	GENERAL	
TUNER, AUX, TAPE	0.5 Hz~170 kHz (-3 dB)	Power consumption	850W
	+0 dB, -0.2 dB (20 Hz~20 kHz)	Power supply	AC 50 Hz/60 Hz, 110V/120V/220V/240V
Tone controls		Dimensions (W×H×D)	430 × 120 × 350 mm
BASS	50 Hz, +7 dB~ -7 dB		(16-15/16" × 4-23/32" × 13-25/32")
TREBLE	20 kHz, +10 dB~ -10 dB	Weight	14.7 kg
SUPER BASS	20 Hz, +0 dB~ +10 dB		(32.4 lb.)
Subsonic filter	20 Hz, -12 dB/oct.		
High-cut filter	7 kHz, -6 dB/oct.		
Loudness control (volume at -30 dB)	50 Hz, +7 dB		
Muting	-20 dB		
Output voltage and impedance		Note:	Total harmonic distortion is measured by the digital spectrum analyzer (H.P. 3045 system).
REC OUT	150 mV		
REC/PLAY	30 mV/82kΩ		

Deutsch

TECHNISCHE DATEN (Spezifikationen Können infolge von Verbesserungen ohne Ankündigung geändert werden.) (DIN 45 500)

■ VERSTÄRKERTEIL

Dauerton-Ausgangsleistung bei 20 Hz ~ 20 kHz	
beide Kanäle angesteuert	2 × 120W (4 Ω) 2 × 120W (8 Ω)
Dauerton-Ausgangsleistung bei 40 Hz ~ 16 kHz	
beide Kanäle angesteuert	2 × 120W (4 Ω) 2 × 120W (8 Ω)
Dauerton-Ausgangsleistung bei 1 kHz	
beide Kanäle angesteuert	2 × 120W (4 Ω) 2 × 120W (8 Ω)
Gesamtklirrfaktor	
Nennleistung bei 20 Hz ~ 20 kHz	0,007% (4 Ω) 0,003% (8 Ω)
Nennleistung bei 40 Hz ~ 16 kHz	0,007% (4 Ω) 0,003% (8 Ω)
Nennleistung bei 1 kHz	0,007% (4 Ω) 0,003% (8 Ω)
halbe Nennleistung bei 20 Hz ~ 20 kHz	0,003% (8 Ω)
halbe Nennleistung bei 1 kHz	0,0007% (8 Ω)
-26 dB Leistung bei 1 kHz	0,01% (4 Ω)
50 mW Leistung bei 1 kHz	0,01% (4 Ω)
Intermodulationsfaktor	
Nennleistung bei 250 Hz: 8 kHz = 4:1, 4 Ω	0,01%
Nennleistung bei 60 Hz: 7 kHz = 4:1, nach SMPTE, 8 Ω	0,007%
Leistungsbandbreite	
beide Kanäle angesteuert bei -3 dB	5 Hz ~ 70 kHz (4 Ω T.H.D 0,03%) 5 Hz ~ 70 kHz (8 Ω T.H.D 0,02%)
Restbrumm und Geräusch	0,7 mV
Dämpfungsfaktor	40 (4 Ω), 80 (8 Ω)
Eingangsempfindlichkeit und -impedanz	
Phono - magnetisch (PHONO MM)	1 mV/47 kΩ 2,5 mV/47 kΩ
Phono - dynamisch (PHONO MC)	100 μV/100 Ω 250 μV/220 Ω
Tuner, Aux	150 mV/33 kΩ
Tape 1 Aufnahme/Wiedergabe (TAPE 1 REC/PLAY)	170 mV/39 kΩ
Tape 2 (TAPE 2)	150 mV/33 kΩ

Maximale TA-Eingangsspannung (1 kHz, eff.)	
magnetisch (MM) (2,5 mV)	170 mV
dynamisch (MC) (250 μV)	17 mV
Geräuschabstand	
Nennleistung (4 Ω)	
Phono - magnetisch (PHONO MM) (2,5 mV)	79 dB (88 dB nach IHF, A)
Phono - dynamisch (PHONO MC) (250 μV)	71 dB (71 dB nach IHF, A)
Tuner, Aux, Tape	91 dB (nach IHF, A: 103 dB)
-26 dB Leistung (4 Ω)	
Phono - magnetisch (PHONO MM) (2,5 mV)	70 dB
Phono - dynamisch (PHONO MC) (250 μV)	68 dB
Tuner, Aux, Tape	71 dB
50 mW Leistung (4 Ω)	
Phono - magnetisch (PHONO MM) (2,5 mV)	64 dB
Phono - dynamisch (PHONO MC) (250 μV)	63 dB
Tuner, Aux, Tape	65 dB
Frequenzgang	
Phono	RIAA-Standardkurve ±0,2 dB (30 Hz ~ 15 kHz)
Tuner, Aux, Tape	0,5 Hz ~ 170 kHz (-3 dB) +0 dB, -0,2 dB (20 Hz ~ 20 kHz)
Klangregler	
Baßregler (BASS)	50 Hz, +7 dB ~ -7 dB
Höhenregler (TREBLE)	20 kHz, +10 dB ~ -10 dB
SUPER BASS	20 Hz, +0 dB ~ +10 dB
Tiefenfilter	20 Hz, -12 dB/Okt.
Rauschfilter	7 kHz, -6 dB/Okt.
Gehörliche Lautstärkekorrektur (Loudness)	
(bei -30 dB Ausgangsleistung)	50 Hz, +7 dB -20 dB
Tondämpfung	
Ausgangsspannung und -impedanz	
Aufnahmeausgang (REC OUT)	150 mV
Aufnahme/Wiedergabe (REC/PLAY)	30 mV/82 kΩ
Kanalabweichung (Aux, 250 Hz ~ 6300 Hz)	±1 dB
Übersprechdämpfung (Aux, 1 kHz)	55 dB
Kopfhörerpegel und -impedanz	560 mV/330 Ω

Service Manual

Stereo Integrated DC Amplifier

SU-V9

[PA],[PE]

Areas

[PA] is available in far East PX.

[PE] is available in European Military.

Please use this manual together with the service manual for Model No. SU-V9/(K),
Order No. SD81102068C8.

CHANGES

REPLACEMENT PARTS LIST

Note: 1. The "S" mark is service standard parts and may differ from production parts.

Ref. No.	Change of Part No.		Part Name & Description	Per Set (Pcs.)	Remarks
	SU-V9/(K) (SD81102068C8)	SU-V9 [PA],[PE]			
CABINET and CHASSIS PARTS					
1	SGWUV9M ○	SGWUV9M	Front Panel Ass'y	1	
	SGWUV9KE [K]				
6	SUB53-2 ○	SUB53-2	Hinge, Tinted Glass	1	
	SUB53 [K]				
12	SGX915 ○	SGX915	Ornament, Bottom	1	
	SGX915-1 [K]				
13	SUB51-2 ○	SUB51-2	Hinge, Operation Lever	1	
	SUB51 [K]				
38	SKC850S1 ○	SKC850S1	Cabinet Cover	1	
	SKC850B1 [K]				
49	SGPUV9E	SGP2850-2A	Rear Panel	1	
	SGP2850-4A [D, EW]				
	SGPUV9L [XL]				
	SGP2850-2A [XA]				
51	SHR127	SHR127	Bushing AC Cord	1	
	SHR129 [EK]				
	SHR131 [XL]				
52	SJA97	RJA52Z	AC Cord	1	S
	QFC1205M [EK]				
	SJA111 [EW, XA]				
	QFC1207MA [XL]				
53	SJS601-2 [XA]	SJS601-2	Socket, AC Outlet	1	
64	RJT202B [XL]	Deletion	0	

Ref. No.	Change of Part No.		Part Name & Description	Per Set (Pcs.)	Remarks
	SU-V9/(K) (SD81102068CB)	SU-V9 [PA], [PE]			
SCREWS, WASHERS and NUT					
N15	XTB4+8BFN ○	XTB4+8BFZ	Screw, Tapping ⊕ 4×8	8	Ⓢ
	XTB4+8BFZ K				
N35	SNE2083-1 ○	SNE2083-1	Screw, Tinted Glass	2	
	SNE2083 K				
N36	XWC4BVW [XL]	Deletion	0	
N37	XSN3+8BNS [XL]	Deletion	0	
N38	XWA3BFN [XL]	Deletion	0	
N39	XWC3B [XL]	Deletion	0	
ACCESSORIES					
A1	SJP5213-1 [XA]	RJP120ZBS	Plug Adapter, AC Power	1	
A2	SJP5215 [XA]	Deletion	0	
A3	SQF10995	SQF10993	Instructions Book, Printed Matter	1	
	SQF10997 [EK, XL]				
	SQF10999 [Ei]				
	SQF11001 [XA]				
	SQF11083 [EG]				
PACKING PARTS					
P1	SPP701 ○	SPP701	Polyethylene Bag	1	
	SPP689 K				
P4	SPG3333	SPG3333	Carton Box	1	
	SPG3335 [EF]				
P5	SGK1413 K	Deletion	0	

Lautsprecherimpedanz		Abmessungen (B×H×T)	430 × 120 × 350 mm
MAIN oder REMOTE	4 Ω ~ 16 Ω	Gewicht	14,7 kg
MAIN und REMOTE	8 Ω ~ 16 Ω		
■ ALLGEMEINE DATEN			
Leistungsaufnahme	850 W	Bemerkung:	
Netzspannung	Wechselstrom 50 Hz/60 Hz, 110V/120V/220V/240V	Der Gesamtklirrfaktor wurde mit einem digitalen Rauschspektrometer (Anlage H.P. 3045) gemessen.	

Français

CARACTERISTIQUES
(DIN 45 500)

(Sujet à changement sans préavis.)

■ SECTION AMPLIFICATEUR

Puissance de sortie continue de 20 Hz~20 kHz,	
les deux canaux en circuit	2 × 120W (4Ω) 2 × 120W (8Ω)
Puissance de sortie continue de 40 Hz~16 kHz,	
les deux canaux en circuit	2 × 120W (4Ω) 2 × 120W (8Ω)
Puissance de sortie continue à 1 kHz	
les deux canaux en circuit	2 × 120W (4Ω) 2 × 120W (8Ω)
Distorsion harmonique totale	
à puissance nominale (20 Hz~20 kHz)	0,007% (4Ω) 0,003% (8Ω)
à puissance nominale (40 Hz~16 kHz)	0,007% (4Ω) 0,003% (8Ω)
à puissance nominale (1 kHz)	0,007% (4Ω) 0,003% (8Ω)
à demi-puissance (20 Hz~20 kHz)	0,003% (8Ω)
à demi-puissance (1 kHz)	0,0007% (8Ω)
puissance de -26 dB à 1 kHz	0,01% (4Ω)
puissance de 50 mW à 1 kHz	0,01% (4Ω)
Distorsion d'intermodulation	
à puissance nominale à 250 Hz: 8 kHz=4:1, 4Ω	0,01%
à puissance nominale à 60 Hz: 7 kHz=4:1, SMPTE, 8Ω	0,007%
Réponse de fréquences	
les deux canaux en circuit, -3 dB	
5 Hz~70 kHz (4Ω T.H.D 0,03%)	
5 Hz~70 kHz (8Ω T.D.D 0,02%)	
Bruit et ronflement résiduels	0,7 mV
Coefficient d'amortissement	40 (4Ω), 80 (8Ω)
Sensibilité et impédance d'entrée	
PHONO, AIMANT MOBILE (PHONO MM)	1 mV/47kΩ
PHONO, BOBINE MOBILE (PHONO MC)	2,5 mV/47kΩ
SYNTHONISATEUR, AUX (TUNER, AUX)	100 μV/100Ω
BANDE 1, ENREGISTREMENT/LECTURE	250 μV/220Ω
(TAPE 1 REC/PLAY)	170 mV/39kΩ
BANDE 2 (TAPE 2)	150 mV/33kΩ
PHONO (tension d'entrée maximum, 1 kHz RMS)	
AIMANT MOBILE (MM) (2,5 mV)	170 mV
BOBINE MOBILE (MC) (250 μV)	17 mV
Signal/Bruit	
à puissance nominale (4Ω)	
PHONO, AIMANT MOBILE (PHONO MM) (2,5 mV)	79 dB (88 dB, IHF, A)
PHONO, BOBINE MOBILE (PHONO MC) (250 μV)	71 dB (71 dB, IHF, A)
SYNTHONISATEUR, AUX, BANDE	
(TUNER, AUX, TAPE)	91 dB (IHF, A: 103 dB)
puissance de -26 dB (4Ω)	
PHONO, AIMANT MOBILE (PHONO MM) (2,5 mV)	70 dB

PHONO, BOBINE MOBILE (PHONO MC) (250 μV)	68 dB
SYNTHONISATEUR, AUX, BANDE (TUNER, AUX, TAPE)	71 dB
puissance de 50 mW (4)	
PHONO, AIMANT MOBILE (PHONO MM) (2,5 mV)	64 dB
PHONO, BOBINE MOBILE (PHONO MC) (250 V)	63 dB
SYNTHONISATEUR, AUX, BANDE (TUNER, AUX, TAPE)	65 dB
Réponse de fréquence	
PHONO	Courbe nominale RIAA ±0,2 dB (30 Hz~15 kHz)
SYNTHONISATEUR, AUX, BANDE (TUNER, AUX, TAPE)	0,5 Hz~170 kHz (-3 dB) +0 dB, -0,2 dB, (20 Hz~20 kHz)
Réglage de la tonalité	
BASSES (BASS)	50 Hz, +7 dB~ -7 dB
AIGUS (TREBLE)	20 kHz, +10 dB~ -10 dB
SUPER BASS	20 Hz, +0 dB~ +10 dB
Filtre subsonique	20 Hz, -12 dB/oct.
Filtre coupe-hauts	7 kHz, -6 dB/oct.
Compensateur physiologique (volume à -30 dB)	50 Hz, +7 dB -20 dB
Réglage silencieux	
Tension de sortie et impédance	
SORTIE ENREGISTREMENT (REC OUT)	150 mV
ENREGISTREMENT/LECTURE (REC/PLAY)	30 mV/82kΩ
Equilibrage des canaux, AUX 250 Hz~6 300 Hz	±1 dB
Séparation des canaux, AUX 1 kHz	55 dB
Niveau de sortie des casques et impédance	560 mV/330Ω
Impédance de charge	
PRINCIPALE ou AUXILIAIRE (MAIN or REMOTE)	4Ω~16Ω
PRINCIPALE et AUXILIAIRE (MAIN and REMOTE)	8Ω~16Ω

■ DIVERS

Consommation	850W
Alimentation	CA 50 Hz/60 Hz, 110V/120V/220V/240V
Dimensions (L×H×Pr)	430 × 120 × 350 mm
Poids	14,7 kg

Nota:

La Société NATIONAL-PANASONIC-FRANCE, importateur du matériel MATSUSHITA-ELECTRIC déclare que cet appareil est conforme aux prescriptions de la directive 76/883/C.E.E. (arrêté 14 Janvier 1980).

Remarque:

On mesure la distorsion harmonique totale au moyen d'un analyseur de spectre digital (Système H.P. 3045).

ESPECIFICACIONES

(Estas especificaciones están sujetas a cualquier cambio sin previo aviso.)

(DIN 45 500)

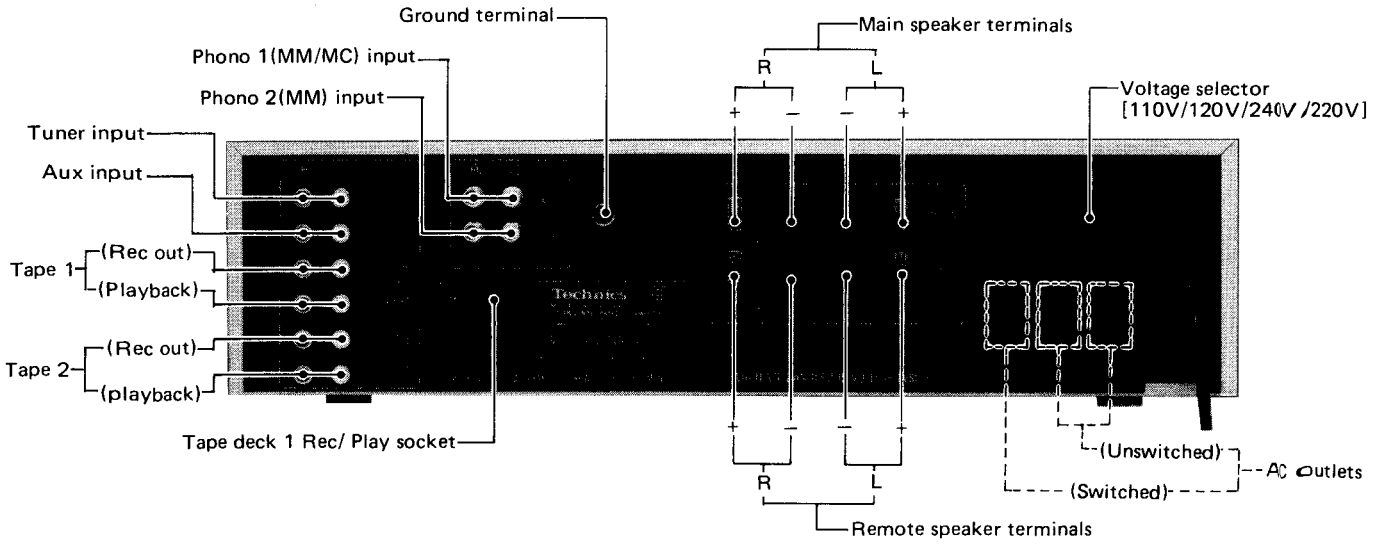
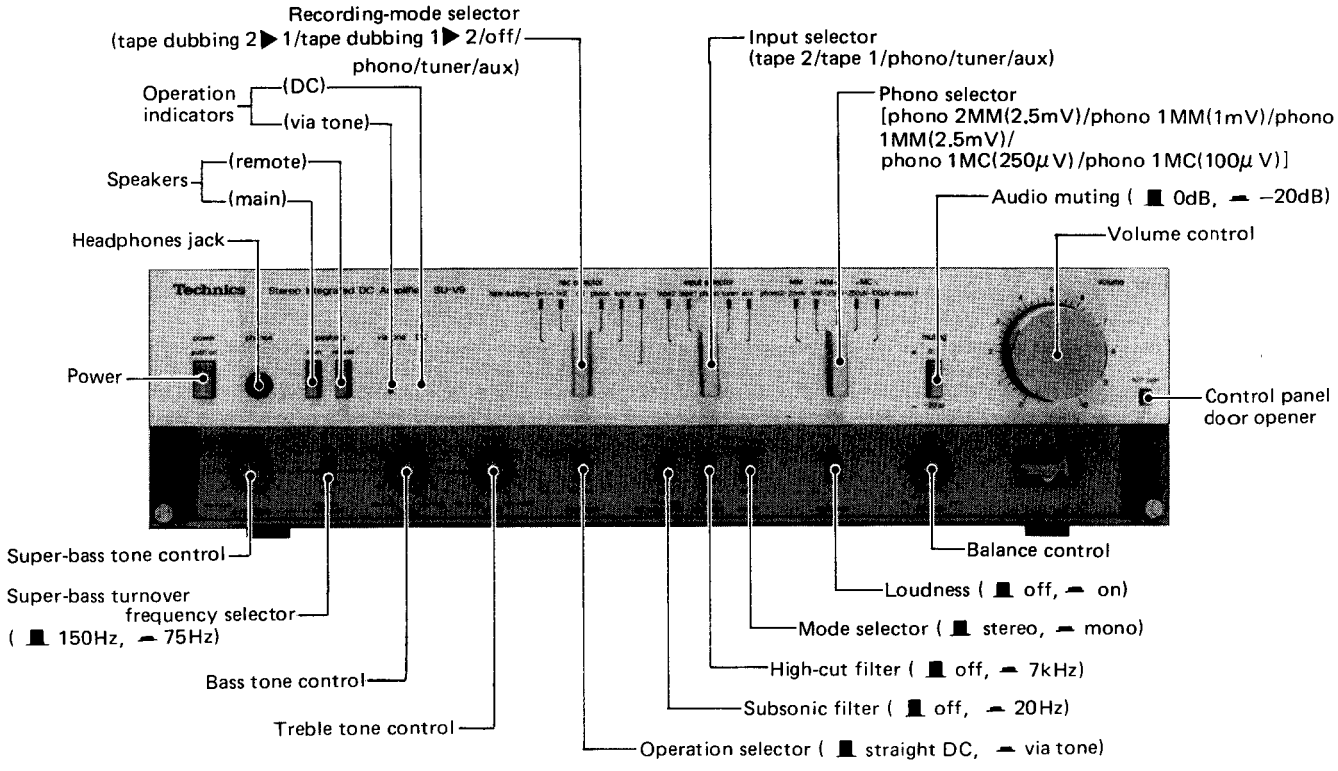
■ SECCION AMPLIFICADOR

Potencia continua de 20 Hz~20 kHz en ambos canales	2 × 120W (4Ω) 2 × 120W (8Ω)	TOCADISC. B. M. (PHONO MC) (250 μV)	71 dB (71 dB, IHF, A)
Potencia continua de 40 Hz~16 kHz en ambos canales	2 × 120W (4Ω) 2 × 120W (8Ω)	SINTON., AUX., GRAB. (TUNER, AUX, TAPE)	91 dB (IHF, A: 103 dB)
Potencia continua de 1 kHz en ambos canales	2 × 120W (4Ω) 2 × 120W (8Ω)	-26 dB de potencia (4Ω)	
Distorsión armónica total		TOCADISC. I. M. (PHONO MM) (2,5 mV)	70 dB
potencia de régimen a 20 Hz~20 kHz	0,007% (4Ω) 0,003% (8Ω)	TOCADISC. B. M. (PHONO MC) (250 μV)	68 dB
potencia de régimen a 40 Hz~16 kHz	0,007% (4Ω) 0,003% (8Ω)	SINTON., AUX., GRAB. (TUNER, AUX, TAPE)	71 dB
potencia de régimen a 1 kHz	0,007% (4Ω) 0,003% (8Ω)	50 mW de potencia (4Ω)	
mitad de potencia a 20 Hz~20 kHz	0,003% (8Ω)	TOCADISC. I. M. (PHONO MM) (2,5 mV)	64 dB
mitad de potencia a 1 kHz	0,0007% (8Ω)	TOCADISC. B. M. (PHONO MC) (250 μV)	63 dB
-26 dB de potencia a 1 kHz	0,01% (4Ω)	SINTON, AUX., GRAB. (TUNER, AUX, TAPE)	65 dB
50 mW de potencia a 1 kHz	0,01% (4Ω)		
Distorsión por intermodulación		Respuesta de frecuencia	
potencia de régimen a 250 Hz: 8 kHz=4:1, 4Ω	0,01%	TOCADISC. (PHONO)	curva RIAA estándar
potencia de régimen a 60 Hz: 7 kHz=4:1, SMPTE, 8Ω	0,007%		±0,2 dB (30 Hz~15 kHz)
		SINTON., AUX., GRAB. (TUNER, AUX, TAPE)	0,5 Hz~170 kHz (-3 dB)
			+0 dB, -0,2 dB (20 Hz~20 kHz)
Ancho de banda de potencia con ambos canales, -3 dB		Controles de tono	
	5 Hz~70 kHz (4Ω T.H.D 0,03%)	BAJOS (BASS)	50 Hz, +7 dB~ -7 dB
	5 Hz~70 kHz (8Ω T.H.D 0,02%)	AGUDOS (TREBLE)	20 kHz, +10 dB~ -10 dB
Zumbido residual y ruido	0,7 mV	SUPER BASS	20 Hz, +0 dB~ +10 dB
Factor de amortiguamiento	40 (4Ω), 80 (8Ω)	Filtro subsónico	20 Hz, -12 dB/oct.
Sensibilidad e impedancia de entrada		Filtro de corte de altos	7 kHz, -6 dB/oct.
TOCADISC. I. M. (PHONO MM)	1 mV/47kΩ	Control de sonoridad (volumen a -30 dB)	50 Hz, +7 dB
	2,5 mV/47kΩ	Silenciamiento	-20 dB
TOCADISC. B. M. (PHONO MC)	100 μV/100Ω	Voltaje e impedancia de salida	
	250 μV/220Ω	SAL. GRAB. (REC OUT)	150 mV
SINTON., AUX. (TUNER, AUX)	150 mV/33kΩ	GRAB./REPR. (REC/PLAY)	30 mV/82kΩ
GRAB. 1 GRAB./REPR. (TAPE 1 REC/PLAY)	170 mV/39kΩ	Equilibrio de canales, AUX 250 Hz~6 300 Hz	±1 dB
	150 mV/33kΩ	Separación de canales, AUX 1 kHz	55 dB
GRAB. 2 (TAPE 2)	150 mV/33kΩ	Impedancia y nivel de salida de los auriculares	560 mV/330Ω
Voltaje máximo de entrada de PHONO (1 kHz, RMS)		Impedancia de carga	
I. M. (MM) (2,5 mV)	170 mV	MAIN o REMOTE	4Ω~16Ω
B. M. (MC) (250 μV)	17 mV	MAIN y REMOTE	8Ω~16Ω
Relación de señal a ruido		■ GENERAL	
potencia de régimen (4Ω)		Consumo de energía	850W
TOCADISC. I. M. (PHONO MM) (2,5 mV)	79 dB (88 dB, IHF, A)	Alimentación de energía	CA 50 Hz/60 Hz, 110V/120V/220V/240V
		Dimensiones (An.×Al.×Prof.)	430 × 120 × 350 mm
		Peso	14,7 kg

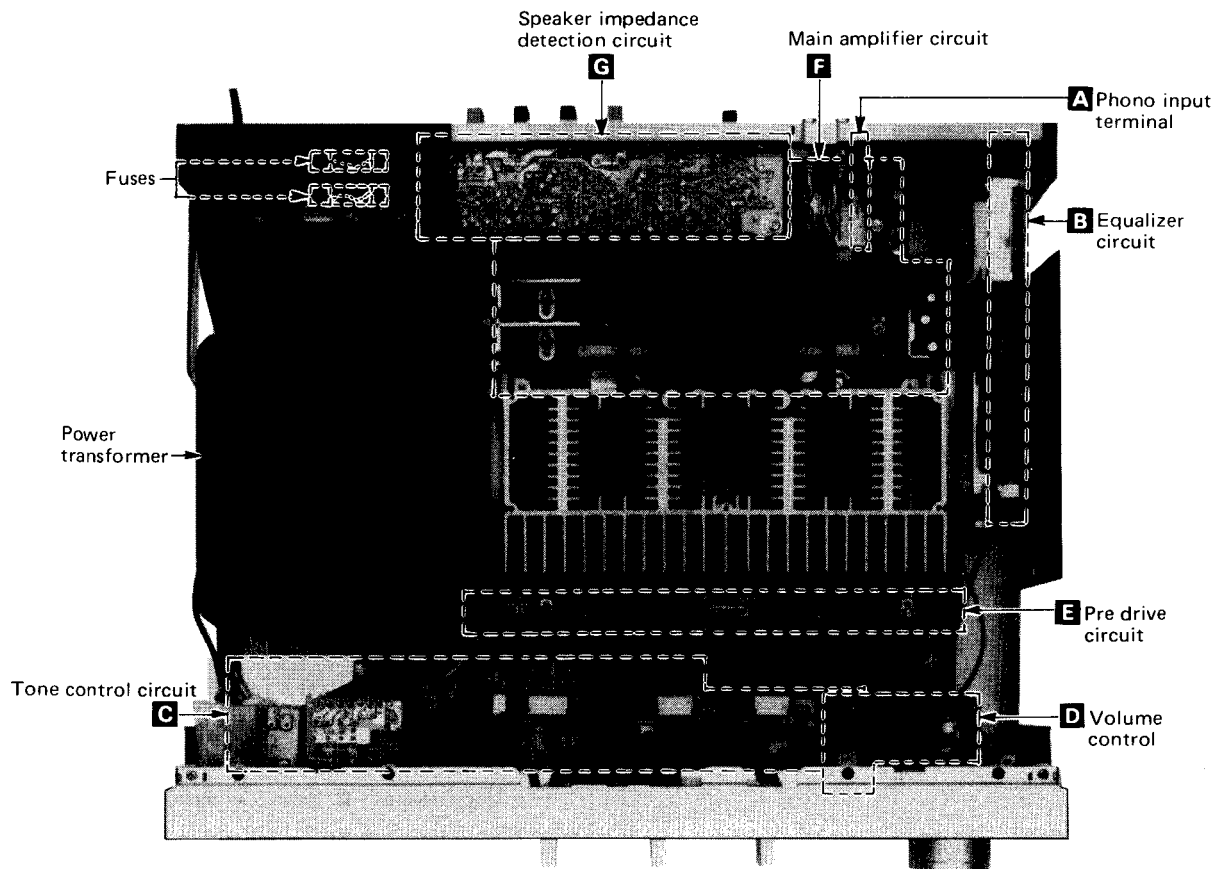
Nota:

La distorsión armónica total se mide con el analizador de espectro digital (sistema H.P. 3045).

LOCATION OF CONTROLS



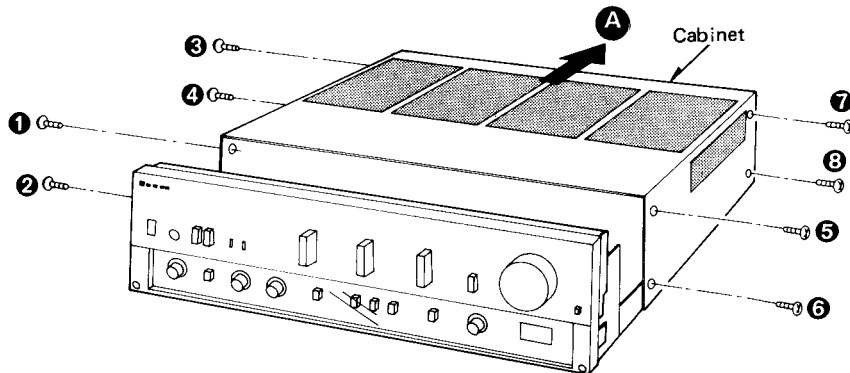
* The product for destination [XA] is equipped with AC outlets.



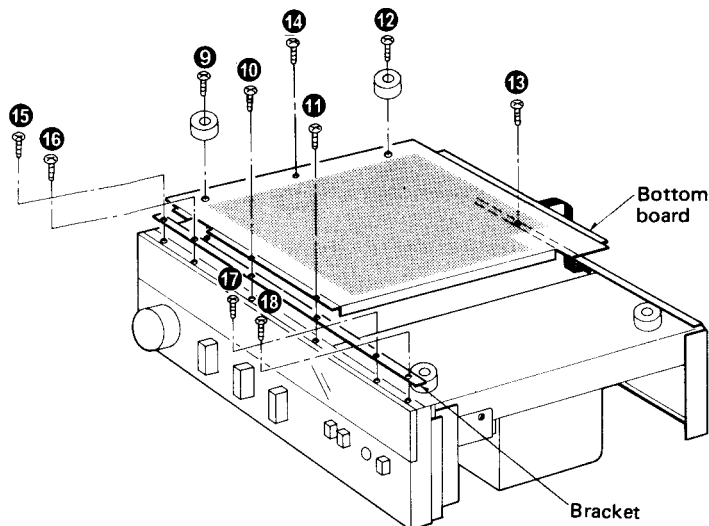
DISASSEMBLY INSTRUCTIONS

How to remove the cabinet

1. Remove the 8 setscrews (Fig. 1: ① ~ ⑧) on the side of the cabinet.
2. Remove the cabinet in the direction of arrow **A** (Fig. 1)



[Fig. 1]



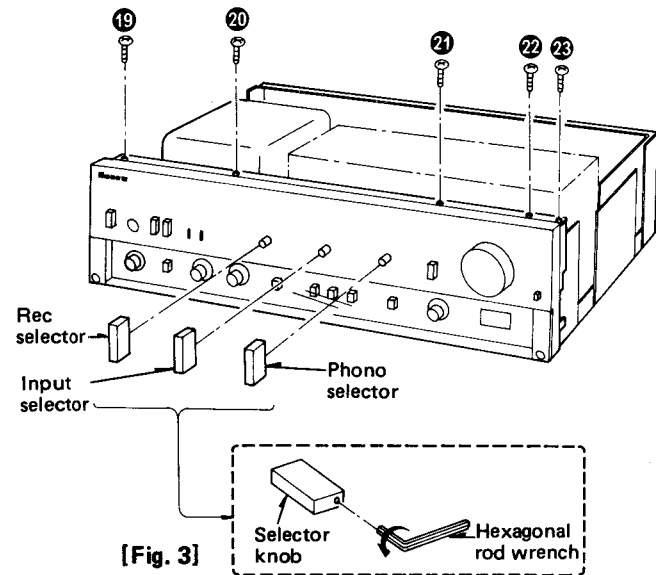
[Fig. 2]

How to remove the bottom board

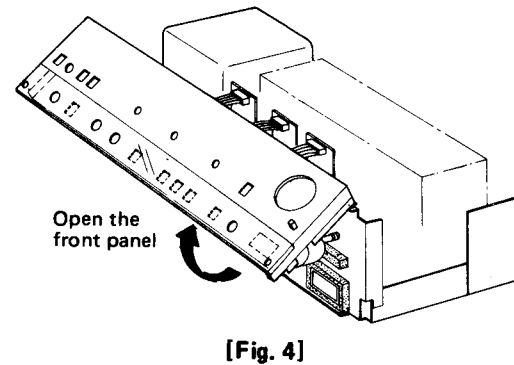
1. Remove the 6 setscrews (Fig. 2: ⑨ ~ ⑭) on the bottom board.

● How to remove the front panel

1. Remove the cabinet and bottom board.
2. Remove the 3 selector knobs. (Use hexagonal rod wrench for M3 screws.) Refer to Fig. 3.

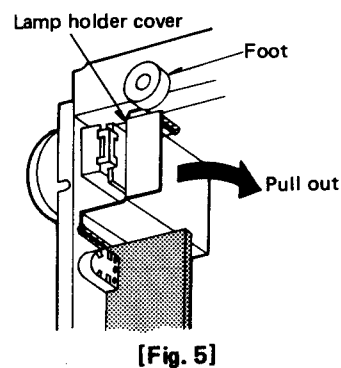


3. Remove the 9 setscrews (Fig. 2 15 ~ 18 and Fig. 3 19 ~ 23) of the front panel.
4. Remove the front panel refer to fig. 4.

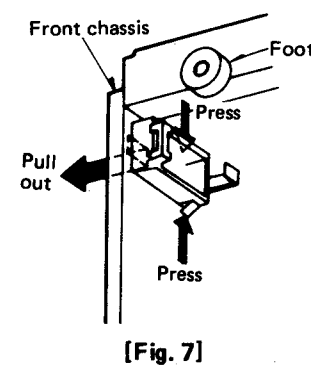
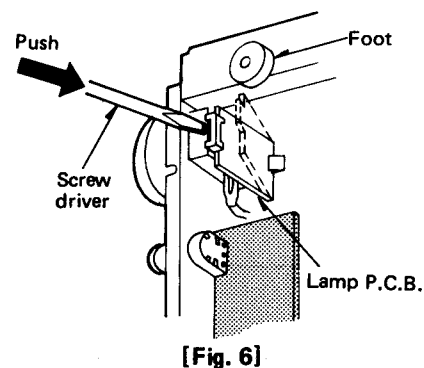


● How to remove the lamp holder of "New Class A"

1. Remove the cabinet.
2. Remove the front panel and bottom board.
3. Remove the lamp holder cover.
4. Remove the lamp P.C.B. by using a screwdriver (See

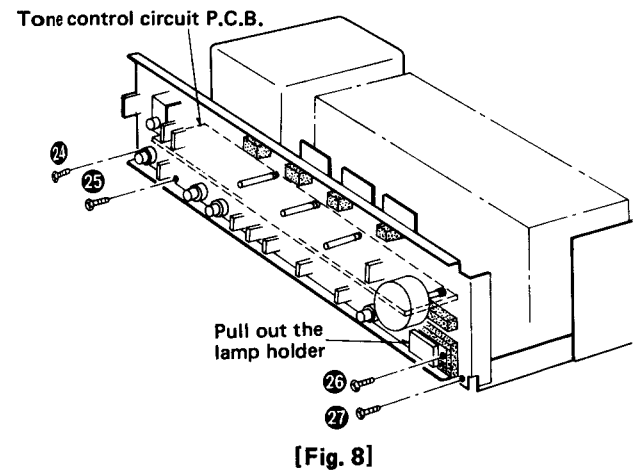


5. Press the lugs and pull out the part from the chassis to provide easy access for a screwdriver (See Fig. 7)

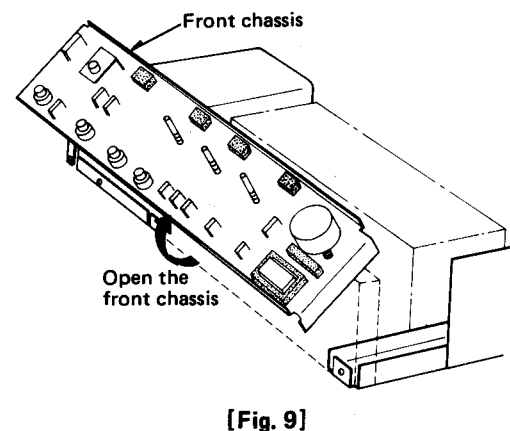


● How to check the tone control circuit P.C.B.

1. Remove the cabinet.
2. Remove the front panel and bottom board.
3. Remove the lamp holder. (Refer to "How to remove lamp holder.")

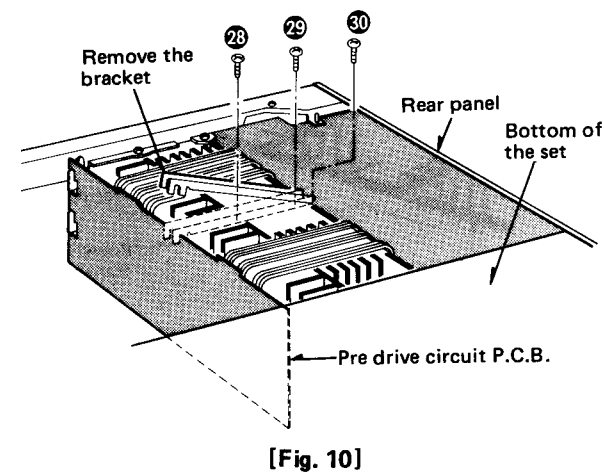


4. Remove the 4 setscrews (Fig. 8: 24 ~ 27)
5. Open the front chassis in the direction of the arrow so that the tone control circuit P.C.B. can be checked. (see Fig. 9)

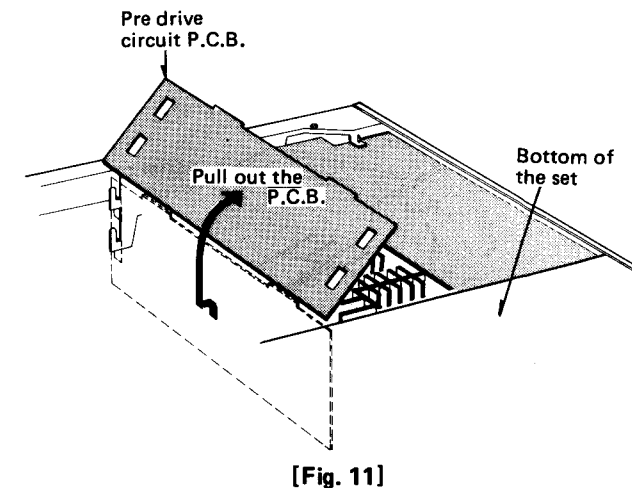


● How to check the pre drive circuit P.C.B.

1. Remove the cabinet and bottom board.
2. Remove the 3 setscrews (Fig. 10: 28 ~ 30) of the bracket.

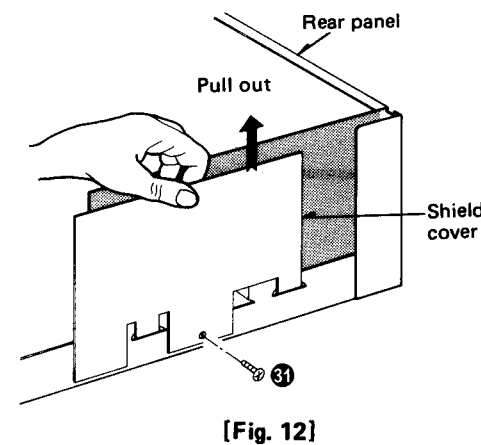


3. Pull out the pre drive circuit P.C.B. in the direction of the arrow (See Fig. 11)

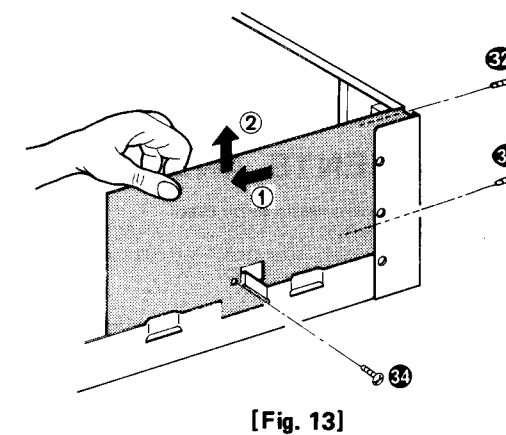


● How to remove the equalizer circuit P.C.B.

1. Remove the cabinet.
2. Remove the setscrew (Fig. 12: 31) of the shield cover.
3. Remove the shield cover.

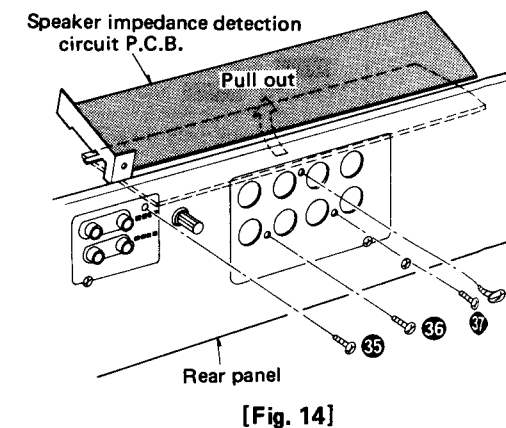


4. Remove the 3 setscrews (Fig. 13: 32 ~ 34) and then pull out the equalizer circuit P.C.B. from rear panel in the direction of the arrows. (See Fig. 13)



● How to remove the speaker impedance detection circuit P.C.B.

1. Remove the cabinet.
2. Remove the 4 setscrews (Fig. 14: 35 ~ 38) of the rear panel.
3. Remove the speaker impedance detection circuit P.C.B. in the direction of the arrow. (See Fig. 14)

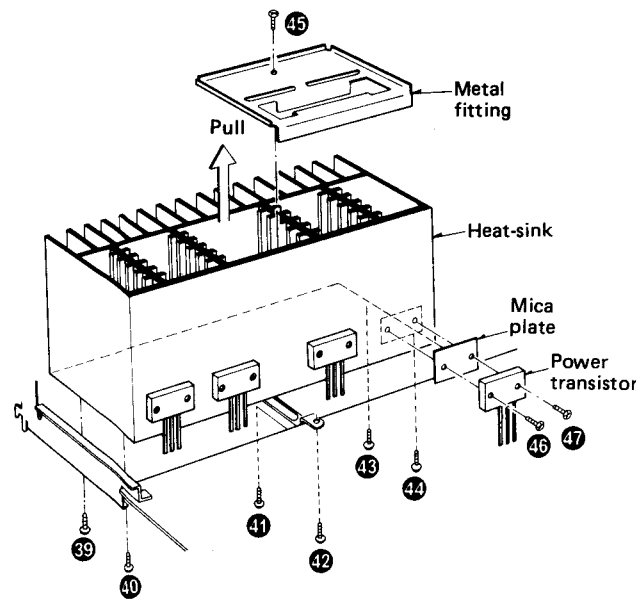


● How to remove the Power transistor

1. Remove the cabinet and bottom board.
2. Unsolder the 4 power transistors as shown in Fig. 15.
3. Remove the 6 setscrew (Fig. 16: 39 ~ 43) of the heat sink.
4. Remove the setscrew (Fig. 16: 45) of the metal fitting.
5. Remove the transistors along with the heat-sink from the printed circuit board.

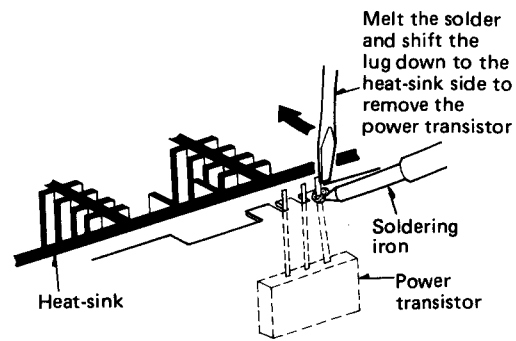
6. Remove the 2 setscrews (Fig. 16: 46, 47) used to secure the power transistors on the heat-sink, and then pull out the power transistor.

7. When installing the power transistor, apply heat diffusing agent (silicon powder, etc.) to both sides of the mica plate, and secure it on the heat-sink with setscrews. Next, secure the heat-sink on the chassis and then solder the power transistor.

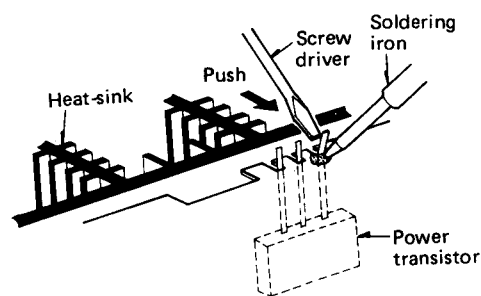


[Fig. 16]

Note: When soldering the power transistor, press the transistor legs against the printed board. (See Fig. 17)



When unsolder the power transistor [Fig. 15]



When soldering the power transistor [Fig. 17]

MEASUREMENTS AND ADJUSTMENTS English

• **Setting of controls and instruments to be used.**

1. Before the adjustment, VR301, VR302 and VR601 should be turned to counter-clockwise direction, VR701 and VR702 should be turned to center position.
2. Sound volume ... 0 (minimum)
3. Main speaker switch ... on
4. Remote speaker switch ... off
5. Operation selector ... straight DC
6. DC voltmeter (capable to measure 5mV)

No.	Item	Connection of DC voltmeter	VR adjusted	Adjustment																		
1	Adjustment of load impedance detection circuit	<ul style="list-style-type: none"> * Connect a load with 6.5Ω (1/2W, carbon, resistor) or series-connected 3.3Ω and 3.3Ω (1/2W, ±5%) to the "main" speaker terminal. (both L and R channel) (Fig. 18) * Connect a DC voltmeter between TP701 and chassis. (L ch.) * Connect a DC voltmeter between TP702 and chassis. (Rch.) * Connect TP703 and chassis. 	VR701 (L channel) VR702 (R channel)	<ol style="list-style-type: none"> 1. Completely turn VR701 clockwise. 2. Adjust VR702 so that the voltage of is -0.1V. 3. Adjust VR701 so that the voltage of is 0V. 																		
2	Supply voltage adjustment & check	<ul style="list-style-type: none"> * Connect voltmeter to Q327 (Corrector) and TP502. * Set the speaker selector to "main" when measuring the voltage. * If power supply of the set is ON, changing the load impedance will not cause alteration of supply voltage. So, turn off power supply or shift the speaker selector to other position. * With speaker selector set at main and remote, the voltage at 4 ~ 6Ω is indicated. 	VR601	<ol style="list-style-type: none"> 1. Connect 8Ω load to speaker terminal. 2. Adjust VR601 so that voltage is +54.5V. 3. Load resisted to speaker terminal and output voltage at each test point are shown below. <table border="1"> <thead> <tr> <th>Load</th> <th>Test point</th> <th>Specification</th> </tr> </thead> <tbody> <tr> <td rowspan="2">4~6.5Ω</td> <td>Q327 (collector)</td> <td>45.0 ~ 46.0V</td> </tr> <tr> <td>TP503</td> <td>-45.5 ~ -46.5V</td> </tr> <tr> <td rowspan="2">6.6~16Ω</td> <td>Q327 (collector)</td> <td>54.0 ~ 55.0V</td> </tr> <tr> <td>TP503</td> <td>-54.5 ~ -55.5V</td> </tr> <tr> <td rowspan="2">Speaker switch to "off"</td> <td>Q327 (collector)</td> <td>54.0 ~ 55.0V</td> </tr> <tr> <td>TP503</td> <td>-54.5 ~ -55.5V</td> </tr> </tbody> </table>	Load	Test point	Specification	4~6.5Ω	Q327 (collector)	45.0 ~ 46.0V	TP503	-45.5 ~ -46.5V	6.6~16Ω	Q327 (collector)	54.0 ~ 55.0V	TP503	-54.5 ~ -55.5V	Speaker switch to "off"	Q327 (collector)	54.0 ~ 55.0V	TP503	-54.5 ~ -55.5V
Load	Test point	Specification																				
4~6.5Ω	Q327 (collector)	45.0 ~ 46.0V																				
	TP503	-45.5 ~ -46.5V																				
6.6~16Ω	Q327 (collector)	54.0 ~ 55.0V																				
	TP503	-54.5 ~ -55.5V																				
Speaker switch to "off"	Q327 (collector)	54.0 ~ 55.0V																				
	TP503	-54.5 ~ -55.5V																				
3	Adjustment of I _{CQ}	(L channel) Between A and B (minus probe) (R channel) Between C and D (minus probe)	VR301 (L channel) VR302 (R channel)	<ol style="list-style-type: none"> 1. Set the main and remote speaker switches to "off" position. 2. Adjust VR301 and VR302 so that the voltage is 1mV about 1 min. after power supply ON. 																		

MESSUNGEN UND JUSTIERUNGEN Deutsch

• **Einstellungen und verwendete Instrumente**

1. Vor diesen Einstellungen müssen VR301, VR302 und VR601 entgegen dem Uhrzeigersinn bis zum Anschlag gedreht werden. VR701 und VR702 werden auf die Mittelstellungen gestellt.
2. Lautstärke 0 (Minimum)
3. Lautsprecher-Wahlschalter main on
remote off
4. Betriebsschalter "straight DC"
5. Gleichstrom-Voltmeter (zum Messen von 5mV geeignet)

Nr.	Gegenstand	Anschluß des Voltmeters	Zu justierender Drehwiderstand	Justierung																		
1	Justierung der Belastungs-impedanz-Detectorschaltung	<ul style="list-style-type: none"> * Ein Last mit 6,5Ω (1/2W Kohlewiderstand) oder in Serie geschalteten 3,3Ω und 3,3Ω (1/2W, ±5%) an den "main" Lautsprecheranschluß anschließen. * Ein Gleichstromvoltmeter zwischen dem TP701 und Chassis anschließen. (Linker Kanal) * Ein Gleichstromvoltmeter zwischen dem TP702 und Chassis anschließen. (Rechter Kanal) * Dann den Testpunkt TP703 und das Chassis verbinden. 	VR701 (Linker Kanal) VR702 (Rechter Kanal)	<ul style="list-style-type: none"> * Den VR701 bis zum Anschlag im Uhrzeigersinn drehen. * Den VR702 so einstellen, daß die Spannung des Testpunktes TP702 auf -0,1V gelangt. * Den VR701 so einstellen, daß die Spannung des Testpunktes TP701 auf 0V gelangt. 																		
2	Justierung & Überprüfung der Versorgungsspannung	<ul style="list-style-type: none"> * Das Voltmeter zwischen den Testpunkten Q327 (Kollektor) und TP502 anschließen. * Beim Messen der Spannung den Lautsprecher-Wahlschalter auf "main" einstellen. * Wenn die Stromzufuhr des Gerätes eingeschaltet ist, verursacht die Änderung der Belastungsimpedanz keine Veränderung der Versorgungsspannung. Daher Netzschalter ausschalten oder Lautsprecher-Wahlschalter in eine andere Position stellen. * Bei auf "main and remote" eingestelltem Lautsprecher-Wahlschalter wird die Spannung bei 4~6Ω angezeigt. 	VR601	<ul style="list-style-type: none"> * Einen Belastungswiderstand mit 4 Ohm an die Lautsprecherbuchsen anschließen. * Den VR601 so einstellen, daß die Spannung auf +54,5V gelangt. * Die Belastungswiderstandswerte der Lautsprecherbuchsen und Ausgangsspannungen an jedem der Testpunkte werden untenstehend aufgeführt. <table border="1"> <thead> <tr> <th>Belastung</th> <th>Prüfpunkt</th> <th>Sollwert</th> </tr> </thead> <tbody> <tr> <td rowspan="2">4~6,5Ω</td> <td>Q327 (Kollektor)</td> <td>45,0 ~ 46,0V</td> </tr> <tr> <td>TP503</td> <td>-45,5 ~ -46,5V</td> </tr> <tr> <td rowspan="2">6,6~16Ω</td> <td>Q327 (Kollektor)</td> <td>54,0 ~ 55,0V</td> </tr> <tr> <td>TP503</td> <td>-54,5 ~ -55,5V</td> </tr> <tr> <td rowspan="2">Den Lautsprecher-schalter auf die "off"-Position stellen.</td> <td>Q327 (Kollektor)</td> <td>54,0 ~ 55,0V</td> </tr> <tr> <td>TP503</td> <td>-54,5 ~ -55,5V</td> </tr> </tbody> </table>	Belastung	Prüfpunkt	Sollwert	4~6,5Ω	Q327 (Kollektor)	45,0 ~ 46,0V	TP503	-45,5 ~ -46,5V	6,6~16Ω	Q327 (Kollektor)	54,0 ~ 55,0V	TP503	-54,5 ~ -55,5V	Den Lautsprecher-schalter auf die "off"-Position stellen.	Q327 (Kollektor)	54,0 ~ 55,0V	TP503	-54,5 ~ -55,5V
Belastung	Prüfpunkt	Sollwert																				
4~6,5Ω	Q327 (Kollektor)	45,0 ~ 46,0V																				
	TP503	-45,5 ~ -46,5V																				
6,6~16Ω	Q327 (Kollektor)	54,0 ~ 55,0V																				
	TP503	-54,5 ~ -55,5V																				
Den Lautsprecher-schalter auf die "off"-Position stellen.	Q327 (Kollektor)	54,0 ~ 55,0V																				
	TP503	-54,5 ~ -55,5V																				
3	Justierung von I _{CQ}	(Linker Kanal) Voltmeter an A (+) und B (-) anschließen. (Rechter Kanal) Voltmeter an C (+) und D (-) anschließen.	VR301 (Linker Kanal) VR302 (Rechter Kanal)	<ul style="list-style-type: none"> * Die Lautsprecherschalter "main" und "remote" auf ihre Ausstellungen (off) stellen. * VR301 (linker Kanal) und VR302 (rechter Kanal) so justieren, daß die Spannung. ca. 1 Minuten nach dem Einschalten der Stromzufuhr. 1mV beträgt. 																		

MESURAGES ET REGLAGES Français

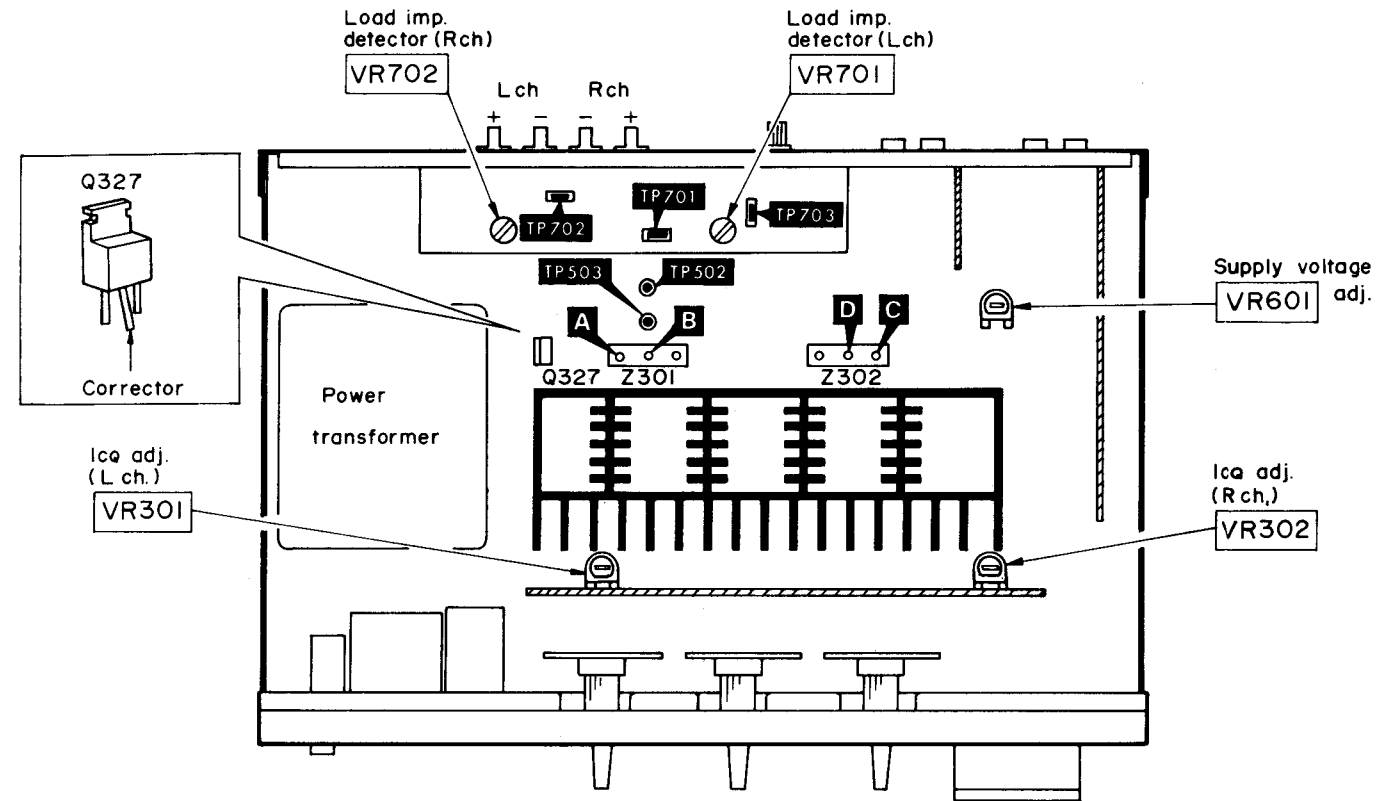
• **Réglages et appareils utilisés**

1. Avant le réglage, VR301, VR302 et VR601 devront être tournés dans le sens inverse des aiguilles d'une montre; VR701 et VR702 devront être tournés vers la position médiane.
2. Volume sonore 0 (minimum)
3. Sélecteurs des enceintes main on
remote off
4. Commutateur de commande C.C. normal (straight DC)
5. Voltmètre à C.C. (capable de mesurer 5mV)

No.	Article	Branchement du voltmètre à C.C.	VR à régler	Réglage
1	Réglage du circuit de détection d'impédance de charge	<ul style="list-style-type: none"> * Mettre en circuit une charge avec 6,5Ω (résistance à couche de carbone de 1/2W) ou un montage en série de 3,3Ω (1/2W, ±5%) à la prise du haut-parleur "principal". * Brancher un voltmètre à C.C. entre TP701 et le châssis. (Canal G) * Brancher un voltmètre à C.C. entre TP702 et le châssis. (Canal D) * Raccorder TP703 et le châssis. 	VR701 (Canal G) VR702 (Canal D)	<ul style="list-style-type: none"> * Tourner complètement VR701 dans le sens des aiguilles d'une montre. * Ajuster VR702 de façon à ce que la tension de TP702 soit de -0,1V. * Ajuster VR701 de façon à ce que la tension de TP701 soit de 0V.

ADJUSTMENT POINTS

No.	Article	Branchement du voltmètre à C.C.	VR à régler	Réglage																		
2	Vérification et réglage de la tension d'alimentation	<ul style="list-style-type: none"> * Brancher le voltmètre à Q327 (Collecteur) et TP502. * Régler le sélecteur de haut-parleurs sur "main" (principal) lorsqu'on mesure la tension. * Si la tension d'alimentation de l'appareil est en marche, le changement d'impédance de charge ne provoquera pas d'altération de la tension d'alimentation. Aussi, couper la tension d'alimentation ou décaler le sélecteur de haut-parleurs sur une autre position. * Avec le sélecteur de haut-parleurs réglé sur "main" (principal) et "remote" (auxiliaire), une tension de 4~6Ω est indiquée. 	VR601	<ul style="list-style-type: none"> * Mettre en circuit une charge de 4Ω à la prise de haut-parleurs. * Ajuster VR601 de façon à ce que la tension soit de +54,5V. * Les résistances de charge raccordées à chaque point mesure sont montrées ci-dessous. <table border="1"> <thead> <tr> <th>Charge</th> <th>Point de mesure</th> <th>Spécification</th> </tr> </thead> <tbody> <tr> <td rowspan="2">4~6,5Ω</td> <td>Q327 (Collecteur)</td> <td>45.0 ~ 46.0V</td> </tr> <tr> <td>TP502</td> <td>-45.5 ~ -46.5V</td> </tr> <tr> <td rowspan="2">6,6~16Ω</td> <td>Q327 (Collecteur)</td> <td>54.0 ~ 55.0V</td> </tr> <tr> <td>TP503</td> <td>-54.5 ~ -55.5V</td> </tr> <tr> <td rowspan="2">Commutateur du haut-parleur sur la position "off" (hors-circuit)</td> <td>Q327 (Collecteur)</td> <td>54.0 ~ 55.0V</td> </tr> <tr> <td>TP503</td> <td>-54.5 ~ -55.5V</td> </tr> </tbody> </table>	Charge	Point de mesure	Spécification	4~6,5Ω	Q327 (Collecteur)	45.0 ~ 46.0V	TP502	-45.5 ~ -46.5V	6,6~16Ω	Q327 (Collecteur)	54.0 ~ 55.0V	TP503	-54.5 ~ -55.5V	Commutateur du haut-parleur sur la position "off" (hors-circuit)	Q327 (Collecteur)	54.0 ~ 55.0V	TP503	-54.5 ~ -55.5V
Charge	Point de mesure	Spécification																				
4~6,5Ω	Q327 (Collecteur)	45.0 ~ 46.0V																				
	TP502	-45.5 ~ -46.5V																				
6,6~16Ω	Q327 (Collecteur)	54.0 ~ 55.0V																				
	TP503	-54.5 ~ -55.5V																				
Commutateur du haut-parleur sur la position "off" (hors-circuit)	Q327 (Collecteur)	54.0 ~ 55.0V																				
	TP503	-54.5 ~ -55.5V																				
3	Réglage de I _{CC}	<p>Canal de gauche Brancher le voltmètre à A (+) et à B (-).</p> <p>Canal de droite Brancher le voltmètre à C (+) et à D (-).</p>	<p>VR301 (Canal G)</p> <p>VR302 (Canal D)</p>	<ul style="list-style-type: none"> * Régler les interrupteurs du haut-parleur principal et des haut-parleurs à distance sur la position "off" (hors-circuit). * Régler VR301 (canal de gauche) et VR302 (canal de droite) de façon à ce que la tension soit de 1mV, environ 1 minute après la mise en marche de la tension d'alimentation. 																		

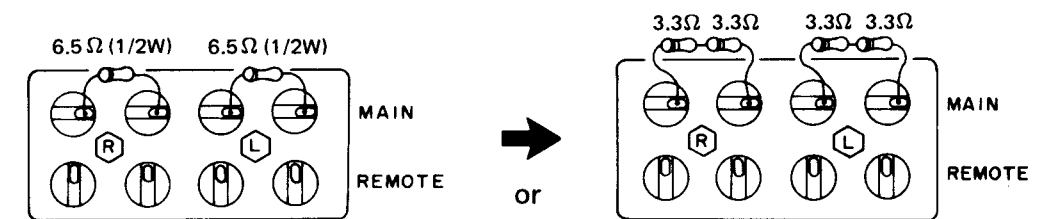


MEDICIONES Y AJUSTE Español

Puesta e instrumentos usados

1. Antes del ajuste, VR301, VR302 y VR601 deben girarse en la dirección a la izquierda, VR701 y VR702 deben girarse a la posición central.
2. Volumen de sonido ... 0 (mínimo)
3. Selectores de altoparlantes
main ... on remote ... off
4. Interruptor de operación ... CC lineal
5. Voltímetro de CC (capaz de medir 5mV)

Nº	Item	Conexión de voltmetro de CC	RV ajustado	Procedimiento de ajuste																		
1	Ajuste del circuito de detección de impedancia de carga	<ul style="list-style-type: none"> * Conectar una carga con 6,5Ω (resistor de carbón de 1/2W) ó 3,3Ω y 3,3Ω (1/2W, ±5%), conectados en serie, al terminal del altavoz "principal". * Conectar un voltmetro CC entre TP702 y chasis. (Canal I) * Conectar un voltmetro CC TP701 y chasis. (Canal D) * Conectar TP503 y chasis. 	<p>VR701 (Canal I)</p> <p>VR702 (Canal D)</p>	<ol style="list-style-type: none"> 1. Girar VR701 completamente a la derecha. 2. Ajustar VR702 de manera que el voltaje de TP702 sea 0,1V. 3. Ajustar VR701 de manera que el voltaje de TP701 sea 0V. 																		
2	Ajuste y comprobación de voltaje de alimentación	<ul style="list-style-type: none"> * Conectar voltmetro a Q327 (Collector) y TP502. * Ponga el selector de altavoz en "main" (principal), al medir el voltaje. * Si la fuente de alimentación del aparato está en "ON", cambiando la impedancia de carga no causará alteración de voltaje de alimentación. Por lo tanto, desconecte la fuente de alimentación o cambie el selector de altavoz a otra posición. * Con el selector de altavoz puesto en principal y remoto, se indica el voltaje a 4~6Ω. 	VR601	<ol style="list-style-type: none"> 1. Conectar carga de 4Ω al terminal de altavoz. 2. Ajustar VR601 de manera que el voltaje sea +54,5V. 3. Resistencia de carga a terminal de altavoz y voltaje de salida en cada punto de prueba se muestran abajo. <table border="1"> <thead> <tr> <th>Charge</th> <th>Punto de prueba</th> <th>Especificación</th> </tr> </thead> <tbody> <tr> <td rowspan="2">4~6.5Ω</td> <td>Q327 (Collector)</td> <td>45.0 ~ 46.0V</td> </tr> <tr> <td>TP502</td> <td>-45.5 ~ -46.5V</td> </tr> <tr> <td rowspan="2">6.6~16Ω</td> <td>Q327 (Collector)</td> <td>54.0 ~ 55.0V</td> </tr> <tr> <td>TP503</td> <td>-54.5 ~ -55.5V</td> </tr> <tr> <td rowspan="2">Interruptor de altavoz a posición "off".</td> <td>Q327 (Collector)</td> <td>54.0 ~ 55.0V</td> </tr> <tr> <td>TP503</td> <td>-54.5 ~ -55.5V</td> </tr> </tbody> </table>	Charge	Punto de prueba	Especificación	4~6.5Ω	Q327 (Collector)	45.0 ~ 46.0V	TP502	-45.5 ~ -46.5V	6.6~16Ω	Q327 (Collector)	54.0 ~ 55.0V	TP503	-54.5 ~ -55.5V	Interruptor de altavoz a posición "off".	Q327 (Collector)	54.0 ~ 55.0V	TP503	-54.5 ~ -55.5V
Charge	Punto de prueba	Especificación																				
4~6.5Ω	Q327 (Collector)	45.0 ~ 46.0V																				
	TP502	-45.5 ~ -46.5V																				
6.6~16Ω	Q327 (Collector)	54.0 ~ 55.0V																				
	TP503	-54.5 ~ -55.5V																				
Interruptor de altavoz a posición "off".	Q327 (Collector)	54.0 ~ 55.0V																				
	TP503	-54.5 ~ -55.5V																				
3	Ajuste de I _{CC}	<p>(Canal I) Entre A y B (probeta negativa)</p> <p>(Canal D) Entre C y D (probeta negativa)</p>	<p>VR301 (Canal I)</p> <p>VR302 (Canal D)</p>	<ol style="list-style-type: none"> 1. Poner los interruptores del altavoz principal y remoto en la posición "off". 2. Ajustar VR301 y VR302 de manera que el voltaje sea 1mV. aprox. 1 min. después de poner la fuente de alimentación en "ON". 																		



[Fig. 18]

REPLACEMENT PARTS LIST Electric Parts

- Notes:** 1. Part numbers are indicated on most mechanical parts. Please use this part number for parts orders.
 2. Important safety notice: Components identified by Δ mark have special characteristics important for safety. When replacing any of these components, use only manufacturer's specified parts.
 3. Bracketed indications in Ref. No. columns specify the area. Parts without these indications can be used for all areas.

Areas

- * [D] is available in Scandinavia.
- * [EG] is available in F.R. Germany.
- * [EK] is available in United Kingdom.
- * [EF] is available in France.
- * [EH] is available in Holland.
- * [EB] is available in Belgium.
- * [Ei] is available in Italy.
- * [EW] is available in Switzerland.
- * [XA] is available in Southeast Asia, Oceania, Africa, Middle Near East and Central South America.
- * [XL] is available in Australia.

Ref. No.	Part No.	Part Name & Description
INTEGRATED CIRCUITS		
IC101 IC301, 401, 701 IC501	SVINJ4559DDM AN6552F SVITA7317P	IC, Equalizer Amplifier IC, DC Servo, Voltage Comparing, IC, Muting
TRANSISTORS		
Q101~108 301~304 Q109, 110, 505 507, 602, 701 703, 704 Q111, 112, 607 613 Q113~116, 503 504, 506, 702 Q309 ~ 312 Q313 ~ 316 Q317, 318 Q319, 320 Q321, 322 Q323, 324 Q325, 326 Q327, 328 Q329, 330 Q331, 332 Q333, 334 Q501, 502, 603 604, 608, 705 Q601, 707 Q605 Q606, 706 Q609, 610 Q611 Q612	2SK170-GR 2SA1015-Y 2SA722-S 2SC1815-Y 2SC1980-T 2SA921-T 2SA1123-R 2SC2631-R 2SD661-S 2SC2632-R 2SA1124-R 2SC2592-R 2SA1112-R 2SC2774-Y 2SA1170-Y 2SC1980-T 2SA777-Q 2SA921-T 2SC1509FR 2SK34-D1 2SD381-L 2SB536-L	Transistor, Differential, Amplifier Transistor, Switching, Hold, Regulator Transistor, Switching, Regulator Transistor, Switching, Regulator Transistor, Differential Transistor, Differential Transistor, Cascade Transistor, Constant Current } Use in Transistor, Bias Control } pair ranks Transistor, Driver Transistor, Driver } Use in pair ranks Transistor, Driver } Use in pair ranks Transistor, Driver } Use in pair ranks Transistor, Power } Use in pair ranks Transistor, Power } Use in pair ranks Transistor, Over Load Detect, Regulator Relay Drive Transistor, Regulator Transistor, Regulator Transistor, Regulator Transistor, Regulator Transistor, Regulator
DIODES		
D101, 102, 105 106, 305, 306 309, 310 327 ~ 330 D103, 104 301~304, 307 308, 311, 312 321, 322 501~505 610~616 701~706 D313~316 323~326 D317~320 D601~604 D605~608, 801 802 D609 D617 D618 D619, 707 D620 D621 D803~805 D806 D807 D808~823 D824 D825	MA27A1 MA162A 20A90 SVDMA26-2 SVDCR6AM-4 SVDSR1K4 SVDMA26-2 SVDZ320B SVDZ308A1 SVDZ303B SVDZ422B SVDZ318A2 SVTTT202-50 SVDMA409B LN820WP LN420WP LN833WP SVDSR1K2 SVDZ307B	Diode, Switching, Synchronism Bias Diode, Switching, Synchronism Bias Diode, Synchronism Bias Diode, Bias Supply Diode, Thyristor Rectifier Diode, 20V Zener Diode, 8V Zener Diode, 3V Zener Diode, 22V Zener Diode, 18V Zener Diode, Temperature detection thyristor Diode, 9V Zener Light Emitting Diode, Orange Light Emitting Diode, Yellow Light Emitting Diode, Orange Rectifier Diode, 7V Zener

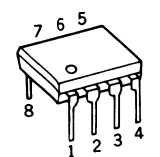
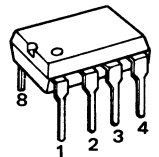
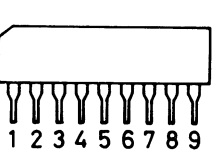
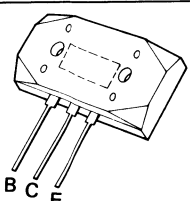
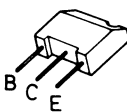
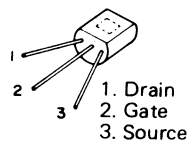
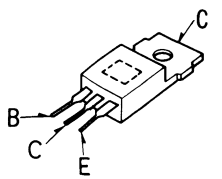
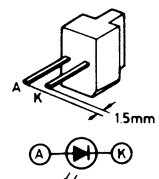
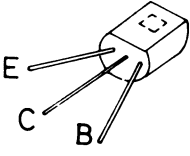
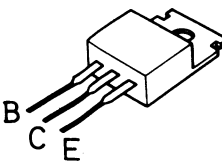
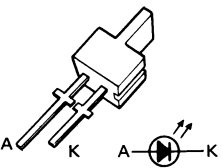
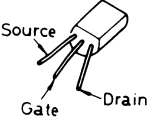
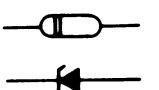
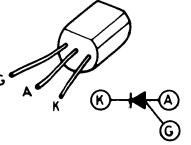
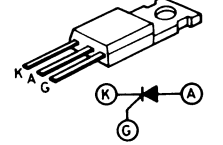
Ref. No.	Part No.	Part Name & Description
COILS and TRANSFORMER		
L101~104 L301, 302 T801	RLQY75S2 SLQY15G-30 SLT5S57	Coil, Choke Coil, Choke Transformer, Power Source
VARIABLE RESISTORS		
VR201 VR202 VR301, 302 VR401 VR402 VR403 VR601 VR701, 702	EWGGCA067375 EWFNUA041B15 EVNMM0AA00B52 EWKKMA06553X EWGGCY067530 EWGGC0067C15 EVNMM4AA00B53 EVNKK6AA00B14	Balance Control, 100k Ω (BH) Volume Control, 100k Ω (B) ICQ Adjustment, 500 Ω (B) Super Bass Control, 5k Ω Bass Control, 100k Ω (C) (Center Short) Treble Control, 100k Ω (C) (Center Open) Power Source Voltage Adjustment, 5k Ω (B) Load Detect Adjustment, 10k Ω (B)
THERMISTERS		
TH301, 302 TH303, 304	ERTD2ZHL103S ERTD2ZHL332S	Thermistor, Thermal Compensation, 10k Ω Thermistor, Thermal Compensation, 3.3k Ω
COMPONENT COMBINATIONS		
Z301, 302	Δ ERF3GBKR22N	Component Combination, 3W 0.22 Ω (x2)
LAMPS		
PL1, 2	Δ XAMR85S15	Lamp, 0.05A (14V)
FUSES		
F1, 2	Δ XBA2C40TRO	Fuse, Power Source, T4A (250V)
RELAYS		
RLY601 RLY701	Δ SSY103-1 Δ SSY99-1	Relay, Transformer Tap Select of Secondary Relay, Speaker Select
SWITCHES		
S1 S2, 3 S4, 5, 8 S6 S7 S9 S10 S11, 12 S13 S14	ESA26523 ESA2682 SSH395-1 SSH1021 SSH165 SSH1037 SSH159 SSH2027-1 ESB90217S ESE37200	Switch, Phono Selector Switch, Input, Rec Selector Switch, High Filter, Mode, Subsonic Filter Switch, Muting Switch, Loudness Control Switch, Operation Switch, Turn Over Switch, Speaker Selector (Main/Remote) Switch, Power Source Switch, Voltage Adjust
RESISTORS		
R101, 102 R103, 104 R105, 106 R107, 108 R109, 110 R111, 112 R113, 114 R115, 116 R117, 118 R119, 120 R121, 122	ERD25FJ150 ERD25TJ473 ERD25FJ221 ERD25FJ101 ERD25TJ683 ERD25TJ223 ERO25CKF2201 ERO25CKF2201 ERD25TJ104 ERD25FJ101 ERD25FJ181	Carbon, 1/4W, 15 Ω , \pm 5% Carbon, 1/4W, 47k Ω , \pm 5% Carbon, 1/4W, 220 Ω , \pm 5% Carbon, 1/4W, 100 Ω , \pm 5% Carbon, 1/4W, 68k Ω , \pm 5% Carbon, 1/4W, 22k Ω , \pm 5% Metal Film, 1/4W, 2.2k Ω , \pm 1% Metal Film, 1/4W, 2.2k Ω , \pm 1% Carbon, 1/4W, 100k Ω , \pm 5% Carbon, 1/4W, 100 Ω , \pm 5% Carbon, 1/4W, 180 Ω , \pm 5%

Ref. No.	Part No.	Part Name & Description
R123, 124 R125, 126 R127, 128 R129, 130 R131, 132 R133, 134 R135, 136 R137, 138 R139, 140 R141, 142 R143, 144 R145, 146 R201, 202 R203, 204 R205, 206 R207, 208 R209, 210 R211, 212 R213, 214 R215, 216 R217, 218 R219, 220 R221, 222 R223, 224 R225, 226 R261, 262 R263, 264 R267, 268 R303, 304 R305, 306 R307, 308 R309, 310 R311, 312 R313, 314 R315, 316 R317, 318 R319, 320 R321, 322 R323, 324 R325, 326 R327, 328 R329, 330 R331, 332 R335, 336 R337, 338 R339, 340 R341, 342 R343, 344 R345, 346 R347, 348 R349, 350 R351, 352 R353, 354 R355, 356 R357, 358 R359, 360 R361, 362 R363, 364 R365, 366 R367, 368 R369, 370 R371, 372 R373, 374 R375, 376 R377, 378 R379, 380 R381, 382 R383, 384 R385, 386 R401, 402 R403, 404 R405, 406 R407, 408 R409, 410 R411, 412 R413, 414 R415, 416 R417, 418 R419, 420 R421, 422 R423, 424 R425, 426 R427, 428 R429, 430	ERD25TJ123 ERO25CKF2701 ERD25FJ102 ERD25FJ820 ERO25CKF1200 ERO25CKF13R0 ERD25FJ4R7 ERO25CKF6802 ERO25CKF5601 ERD25FJ121 ERD25FJ561 ERD25TJ334 ERD25TJ824 ERD25TJ824 ERD25TJ824 ERD25TJ824 ERD25TJ824 ERD25FJ392 ERD25TJ824 ERD25FJ392 ERD25FJ562 ERD25TJ333 ERD25FJ392 ERD25TJ183 ERD25TJ124 ERD25TJ224 ERD25FJ102 ERD25FJ392 ERD25FJ392 ERD25TJ394 ERD25FJ102 ERD25FJ101 ERD25FJ562 ERD25FJ562 ERD25TJ183 ERD25FJ391 ERD25FJ822 ERD25FJ103 ERD25FJ182 ERD25FJ221 ERD25FJ221 ERD25TJ153 ERD25FJ272 ERD25FJ221 ERD25FJ221 ERD25FJ122 ERD25FJ122 ERD2FCG101 ERD2FCG101 ERD25FJ682 ERD25FJ821 ERD25FJ102 ERD25TJ333 ERD25TJ823 ERD2FCG390 ERD2FCG390 ERD25TJ184 ERD25TJ184 ERD25TJ184 ERD2FCG221 ERD25FJ470 ERD25FJ100 ERG2ANJ150 ERG2ANJ331 ERD25FJ103 ERD25TJ104 ERD25TJ104 ERD25TJ333 ERD25FJ102 ERD25TJ154 ERD25TJ333 ERD25FJ102 ERO25CKF4302 ERD25FJ272 ERD25TJ224 ERD25TJ104 ERC14GK825 ERC14GK825 ERD25TJ224 ERD25TJ393 ERD25TJ823 ERD25TJ184 ERD25TJ563 ERD25TJ563 ERD25FJ472 ERD25TJ224 ERD25TJ104 ERC14GK825 ERD25TJ224 ERD25TJ393 ERD25TJ823 ERD25TJ184 ERD25TJ563 ERD25FJ472 ERD25FJ272 ERD25FJ102	Carbon, 1/4W, 12k Ω , \pm 5% Metal Film, 1/4W, 2.7k Ω , \pm 1% Carbon, 1/4W, 1k Ω , \pm 5% Carbon, 1/4W, 82 Ω , \pm 5% Metal Film, 1/4W, 120 Ω , \pm 1% Metal Film, 1/4W, 13 Ω , \pm 1% Carbon, 1/4W, 4.7 Ω , \pm 5% Metal Film, 1/4W, 68k Ω , \pm 1% Metal Film, 1/4W, 5.6k Ω , \pm 1% Carbon, 1/4W, 120 Ω , \pm 5% Carbon, 1/4W, 560 Ω , \pm 5% Carbon, 1/4W, 330k Ω , \pm 5% Carbon, 1/4W, 820k Ω , \pm 5% Carbon, 1/4W, 820k Ω , \pm 5% Carbon, 1/4W, 820k Ω , \pm 5% Carbon, 1/4W, 820k Ω , \pm 5% Carbon, 1/4W, 3.9k Ω , \pm 5% Carbon, 1/4W, 820k Ω , \pm 5% Carbon, 1/4W, 3.9k Ω , \pm 5% Carbon, 1/4W, 33k Ω , \pm 5% Carbon, 1/4W, 3.9k Ω , \pm 5% Carbon, 1/4W, 18k Ω , \pm 5% Carbon, 1/4W, 120k Ω , \pm 5% Carbon, 1/4W, 220k Ω , \pm 5% Carbon, 1/4W, 1k Ω , \pm 5% Carbon, 1/4W, 3.9k Ω , \pm 5% Carbon, 1/4W, 3.9k Ω , \pm 5% Carbon, 1/4W, 390k Ω , \pm 5% Carbon, 1/4W, 1k Ω , \pm 5% Carbon, 1/4W, 100 Ω , \pm 5% Carbon, 1/4W, 5.6k Ω , \pm 5% Carbon, 1/4W, 5.6k Ω , \pm 5% Carbon, 1/4W, 18k Ω , \pm 5% Carbon, 1/4W, 390 Ω , \pm 5% Carbon, 1/4W, 8.2k Ω , \pm 5% Carbon, 1/4W, 10k Ω , \pm 5% Carbon, 1/4W, 1.8k Ω , \pm 5% Carbon, 1/4W, 220 Ω , \pm 5% Carbon, 1/4W, 220 Ω , \pm 5% Carbon, 1/4W, 15k Ω , \pm 5% Carbon, 1/4W, 2.7k Ω , \pm 5% Carbon, 1/4W, 2.2k Ω , \pm 5% Carbon, 1/4W, 1.8k Ω , \pm 5% Carbon, 1/4W, 1.2k Ω , \pm 5% Carbon, 1/4W, 1.2k Ω , \pm 5% Carbon, 1/4W, 100 Ω , \pm 2% Carbon, 1/4W, 100 Ω , \pm 2% Carbon, 1/4W, 6.8k Ω , \pm 5% Carbon, 1/4W, 820 Ω , \pm 5% Carbon, 1/4W, 1k Ω , \pm 5% Carbon, 1/4W, 33k Ω , \pm 5% Carbon, 1/4W, 82k Ω , \pm 5% Carbon, 1/4W, 39 Ω , \pm 2% Carbon, 1/4W, 39 Ω , \pm 2% Carbon, 1/4W, 180k Ω , \pm 5% Carbon, 1/4W, 180k Ω , \pm 5% Carbon, 1/4W, 220 Ω , \pm 2% Carbon, 1/4W, 47 Ω , \pm 5% Carbon, 1/4W, 10 Ω , \pm 5% Metal Oxide, 2W, 15 Ω , \pm 5% Metal Oxide, 2W, 330 Ω , \pm 5% Carbon, 1/4W, 10k Ω , \pm 5% Carbon, 1/4W, 100k Ω , \pm 5% Carbon, 1/4W, 100k Ω , \pm 5% Carbon, 1/4W, 33k Ω , \pm 5% Carbon, 1/4W, 1k Ω , \pm 5% Carbon, 1/4W, 150k Ω , \pm 5% Carbon, 1/4W, 33k Ω , \pm 5% Carbon, 1/4W, 1k Ω , \pm 5% Metal Film, 1/4W, 43k Ω , \pm 1% Carbon, 1/4W, 2.7k Ω , \pm 5% Carbon, 1/4W, 220k Ω , \pm 5% Carbon, 1/4W, 100k Ω , \pm 5% Solid, 1/4W, 8.2M Ω , \pm 10% Solid, 1/4W, 8.2M Ω , \pm 10% Carbon, 1/4W, 220k Ω , \pm 5% Carbon, 1/4W, 39k Ω , \pm 5% Carbon, 1/4W, 22k Ω , \pm 5% Carbon, 1/4W, 180k Ω , \pm 5% Carbon, 1/4W, 56k Ω , \pm 5% Carbon, 1/4W, 4.7k Ω , \pm 5% Carbon, 1/4W, 2.7k Ω , \pm 5% Carbon, 1/4W, 1k Ω , \pm 5%

Ref. No.	Part No.	Part Name & Description
R431, 432 R433, 434 R501, 502 R503 R504 R505 R506 R507 R508 R509 R510 R511 R512 R513 R514, 515 R516 R517, 518 R519, 520 R601 R602, 603 R604 R605 R606 R607 R608 R609 R610 R611 R612 R613 R614 R615 R616 R617 R618 R619 R620 R621 R622 R623 R624 R625 R626 R627, 628 R629 R630 R631 R632 R701, 702 R703, 704 R705, 706 R707, 708 R709, 710 R711, 712 R713, 714 R715, 716 R717, 718 R719 R720 R721 R722 R723, 724 R725 R726 R727, 728 R729 R730, 731 R732 R733 R734 R801, 802 R803 R804, 805 R806 R807 R808, 809	ERD25FJ223 ERD25FJ472 ERD25FJ683 ERD25TJ823 ERD25FJ822 ERD25TJ123 ERD25FJ102 ERD25FJ333 ERD25TJ153 ERD25FJ102 ERD25FJ562 ERD25FJ222 ERD25TJ224 ERD25FJ822 ERD25FJ102 ERD25FJ682 ERD25FJ391 ERD25FJ222 ERD25FJ562 ERD25FJ4R7 ERD25FJ682 ERD25TJ333 ERD25TJ223 ERD25FJ222 ERD25FJ101 ERD25FJ222 ERD25FJ332 ERD25FJ100 ERD25TJ104 ERD25TJ183 ERD25FJ562 ERD25TJ563 ERD25FJ102 ERD25TJ393 ERD25FJ822 ERO25CKF1802 ERO25CKF3901 ERO25CKF2702 ERD25TJ393 ERO25CKF2202 ERD25FJ103 ERD25TJ184 ERG3ANJ681 ERD2FCG121 ERO25CKF2102 ERO25CKF2052 ERO25CKF3902 ERD25FJ222 ERD25FJ332 ERD25FJ470 ERD25FJ682 ERD25FJ562 ERD25TJ394 ERD25FJ682 ERD25TJ824 ERD25TJ824 ERD25TJ223 ERD25TJ393 ERD25TJ153 ERD25TJ184 ERD25TJ473 ERD25TJ223 ERD25TJ823 ERD25TJ223 ERD25TJ393 ERD25TJ563 ERD25TJ823 ERD25FAJ2R2 ERG3ANJ561 ERG3ANJ121 ERD25FJ151 ERD25FJ390 ERD25FJ151	Carbon, 1/4W, 22k Ω , \pm 5% Carbon, 1/4W, 4.7k Ω , \pm 5% Carbon, 1/4W, 68k Ω , \pm 5% Carbon, 1/4W, 82k Ω , \pm 5% Carbon, 1/4W, 8.2k Ω , \pm 5% Carbon, 1/4W, 12k Ω , \pm 5% Carbon, 1/4W, 1k Ω , \pm 5% Carbon, 1/4W, 33k Ω , \pm 5% Carbon, 1/4W, 15k Ω , \pm 5% Carbon, 1/4W, 1k Ω , \pm 5% Carbon, 1/4W, 5.6k Ω , \pm 5% Carbon, 1/4W, 2.2k Ω , \pm 5% Carbon, 1/4W, 5.6k Ω , \pm 5% Carbon, 1/4W, 4.7 Ω , \pm 5% Carbon, 1/4W, 6.8k Ω , \pm 5% Carbon, 1/4W, 33k Ω , \pm 5% Carbon, 1/4W, 22k Ω , \pm 5% Carbon, 1/4W, 2.2k Ω , \pm 5% Carbon, 1/4W, 100 Ω , \pm 5% Carbon, 1/4W, 2.2k Ω , \pm 5% Carbon, 1/4W, 3.3k Ω , \pm 5% Carbon, 1/4W, 10 Ω , \pm 5% Carbon, 1/4W, 100k Ω , \pm 5% Carbon, 1/4W, 18k Ω , \pm 5% Carbon, 1/4W, 5.6k Ω , \pm 5% Carbon, 1/4W, 5.6k Ω , \pm 5% Carbon, 1/4W, 1k Ω , \pm 5% Carbon, 1/4W, 39k Ω , \pm 5% Carbon, 1/4W, 8.2k Ω , \pm 5% Metal Film, 1/4W, 18k Ω , \pm 1% Metal Film, 1/4W, 3.9k Ω , \pm 1% Metal Film, 1/4W, 2.7k Ω , \pm 1% Carbon, 1/4W, 39k Ω , \pm 5% Metal Film, 1/4W, 22k Ω , \pm 1% Carbon, 1/4W, 22k Ω , \pm 5% Carbon, 1/4W, 10k Ω , \pm 5% Carbon, 1/4W, 10k Ω , \pm 5% Carbon, 1/4W, 10k Ω , \pm 5% Carbon, 1/4W, 21.5k Ω , \pm 1% Metal Film, 1/4W, 20k Ω , \pm 1% Metal Film, 1/4W, 39k Ω , \pm 1% Carbon, 1/4W, 2.2k Ω , \pm 5% Carbon, 1/4W, 3.3k Ω , \pm 5% Carbon, 1/4W, 47 Ω , \pm 5% Carbon, 1/4W, 6.8k Ω , \pm 5% Carbon, 1/4W, 5.6k Ω , \pm 5% Carbon, 1/4W, 390k Ω , \pm 5% Carbon, 1/4W, 6.8k Ω , \pm 5% Carbon, 1/4W, 820k Ω , \pm 5% Carbon, 1/4W, 820k Ω , \pm 5% Carbon, 1/4W, 22k Ω , \pm 5% Carbon, 1/4W, 39k Ω , \pm 5% Carbon, 1/4W, 180k Ω , \pm 5% Carbon, 1/4W, 47k Ω , \pm 5% Carbon, 1/4W, 22k Ω , \pm 5% Carbon, 1/4W, 82k Ω , \pm 5% Carbon, 1/4W, 56k Ω , \pm 5% Carbon, 1/4W, 22k Ω , \pm 5% Carbon, 1/4W, 82k Ω , \pm 5% Carbon, 1/4W, 22k Ω , \pm 5% Carbon, 1/4W, 39k Ω , \pm 5% Metal Oxide, 3W, 680 Ω , \pm 5% Carbon, 1/4W, 82k Ω , \pm 5% Carbon, 1/4W, 2.2 Ω , \pm 5% Metal Oxide, 3W, 560 Ω , \pm 5% Metal Oxide, 3W, 120 Ω , \pm 5% Carbon, 1/4W, 150 Ω , \pm 5% Carbon, 1/4W, 39 Ω , \pm 5% Carbon, 1/4W, 150 Ω , \pm 5%
CAPACITORS		
C1 C2 C2 [EK] only C3, 4	Δ ECKDKC103PF Δ ECQE2A473MW Δ	

CIRCUIT BOARDS AND WIRING CONNECTION DIAGRAM

• Terminal guide of transistors, diodes and IC's

SVINJ4559DSM 	AN6552 	SVITA7317P 
2SA1170, 2SC2774 	2SD661 	2SK170  1. Drain 2. Gate 3. Source
2SB536, 2SD381 	LN820WP, LN420WP 	2SA1124, 2SC2632, 2SA1015, 2SC1815, 2SA1123, 2SC2631, 2SA722, 2SA777, 2SC1509, 2SA921, 2SC1980, 2SA721 
2SC2592, 2SA1112 	LN833WP 	
2SK34 	SVDMZ □□□ 	
SVTTT202-50 	SVDCR6AM-4 	

A Phono input terminal

B Equalizer circuit

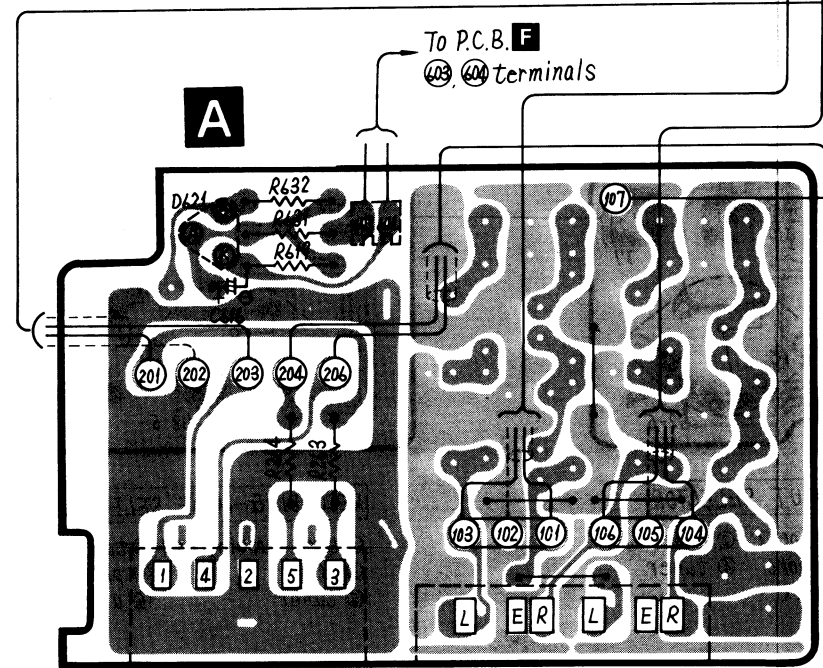
Q102, 104, 106, 108
2SK170

	D	G	S
Q102	1.5	0	0.1
Q104	1.5	0	0.1
Q106	1.5	0	0.1
Q108	1.5	0	0.1

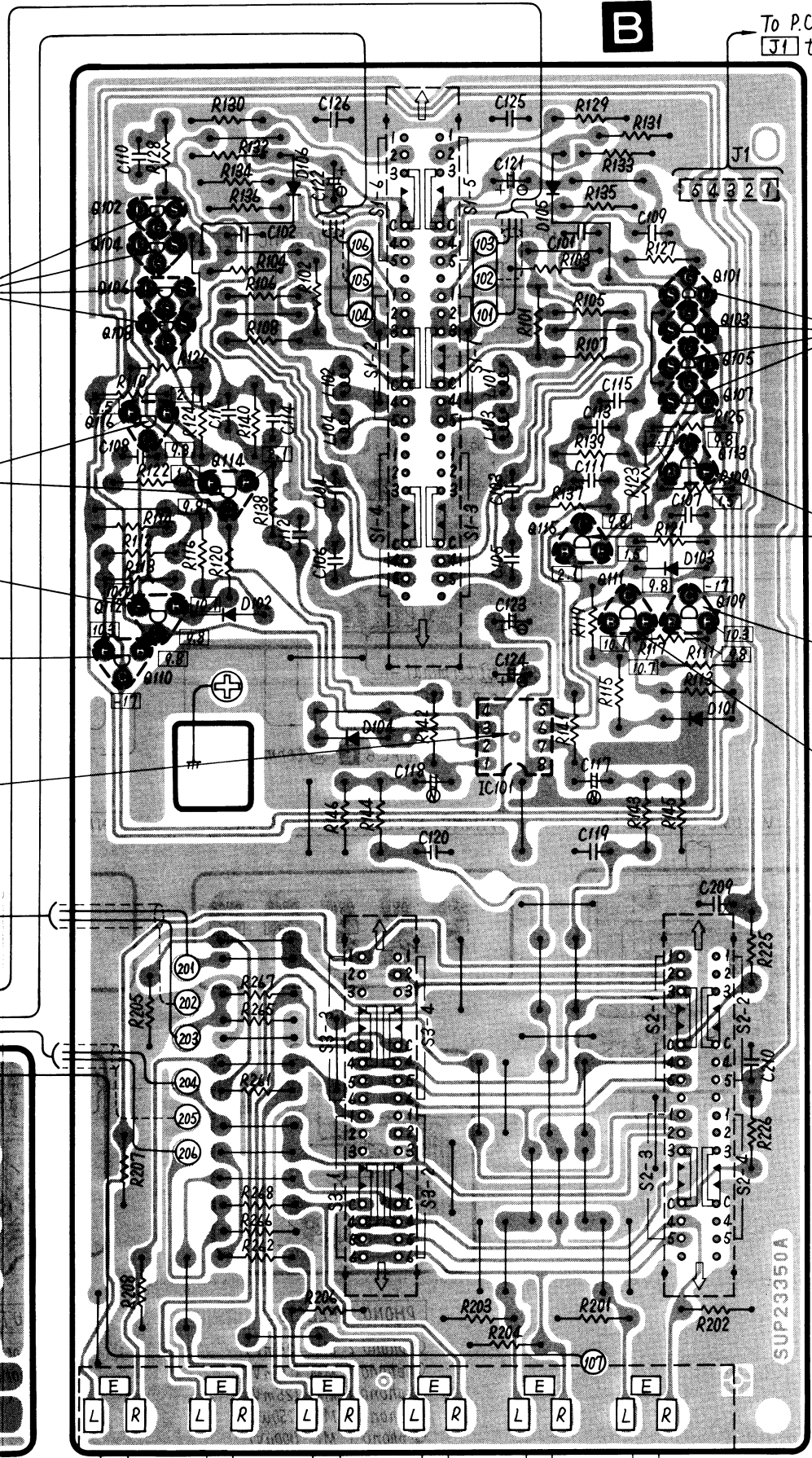
IC101
SVINJ4559DSM

1	0	5	9.8
2	9.8	6	9.8
3	9.8	7	0
4	-17.0	8	17.0

Ground (Earth) lines



REC / PLAY
PHONO 2 (MM)
PHONO 1 (MM / MC)



PLAYBACK REC OUT
TAPE 2
PLAYBACK REC OUT
TAPE 1
AUX
TUNER

To P.C.B. terminal

S1 PHONO SELECTOR

- ① phono 2 MM (2.5mV)
- ② phono 1 MM (1mV)
- ③ phono 1 MM (2.5mV)
- ④ phono 1 MC (250μV)
- ⑤ phono 1 MC (100μV)

Q101, 103, 105, 107
2SK170

	D	G	S
Q101	1.5	0	0.1
Q103	1.5	0	0.1
Q105	1.5	0	0.1
Q107	1.5	0	0.1

Q113, 115
2SC1815

Q109
2SA1015

Q111
2SA721

S3 RECORDING-MODE SELECTOR

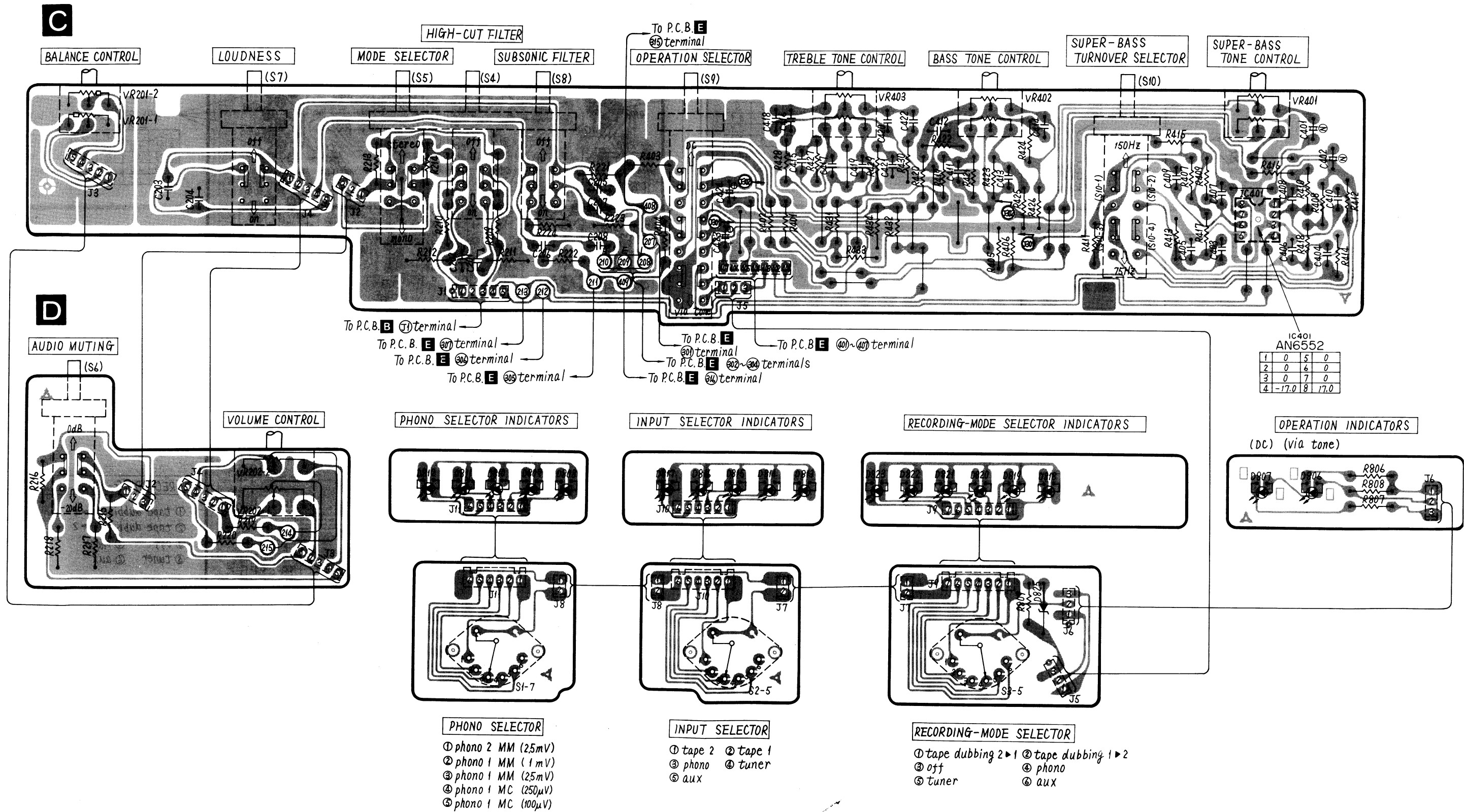
- ① tape dubbing 2 ▶ 1
- ② tape dubbing 1 ▶ 2
- ③ off
- ④ phono
- ⑤ tuner
- ⑥ aux

S2 INPUT SELECTOR

- ① tape 2
- ② tape 1
- ③ phono
- ④ tuner
- ⑤ aux

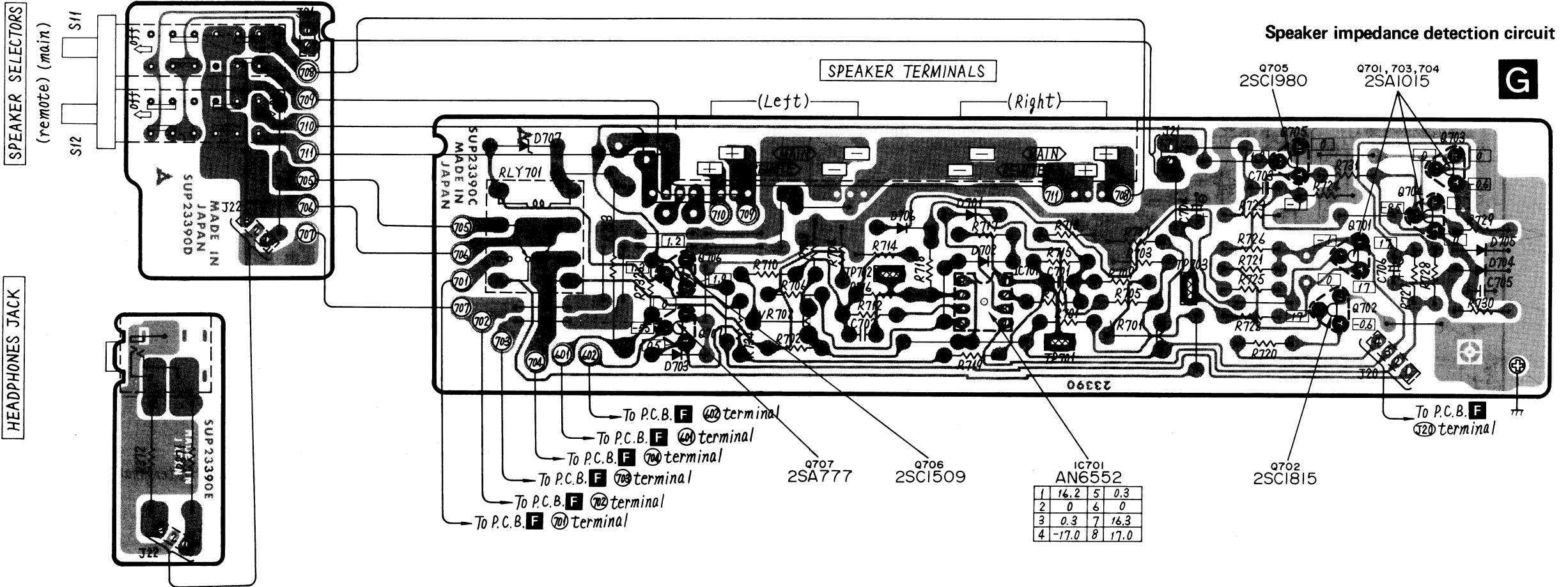
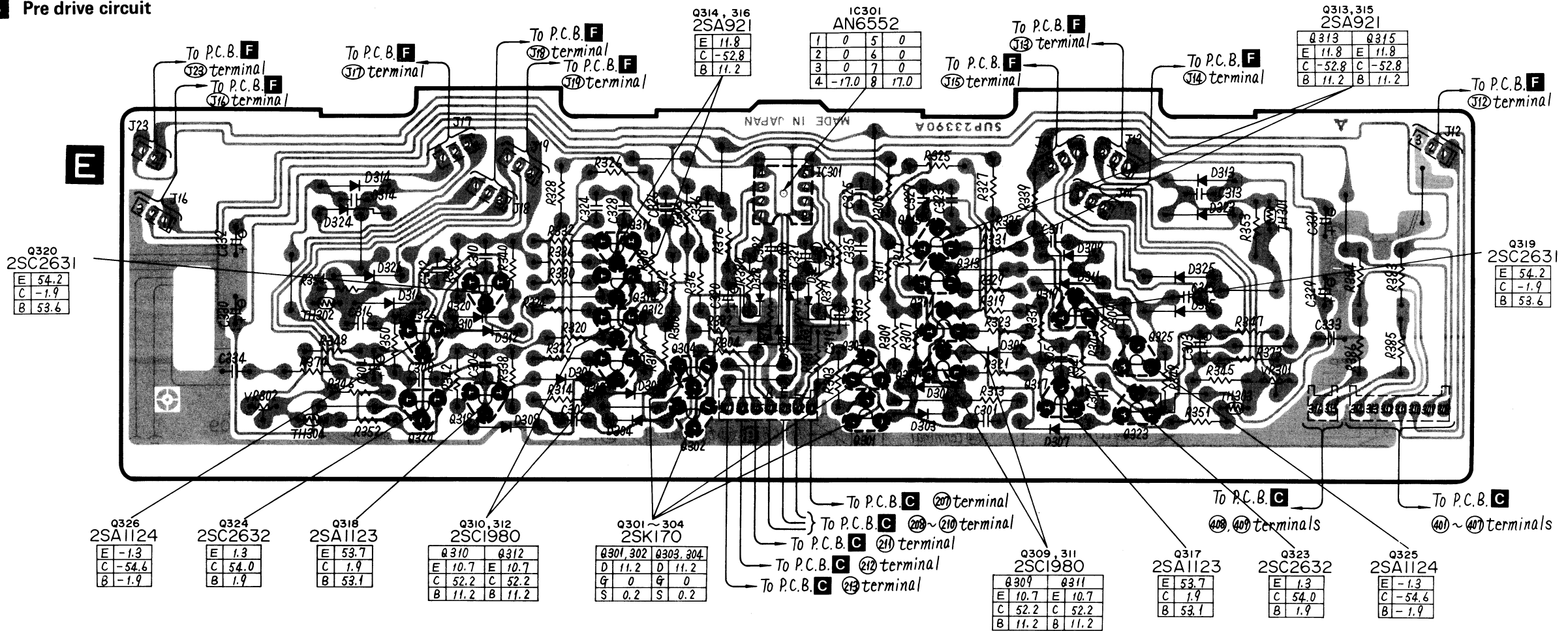
C Tone control circuit

D Volume control circuit

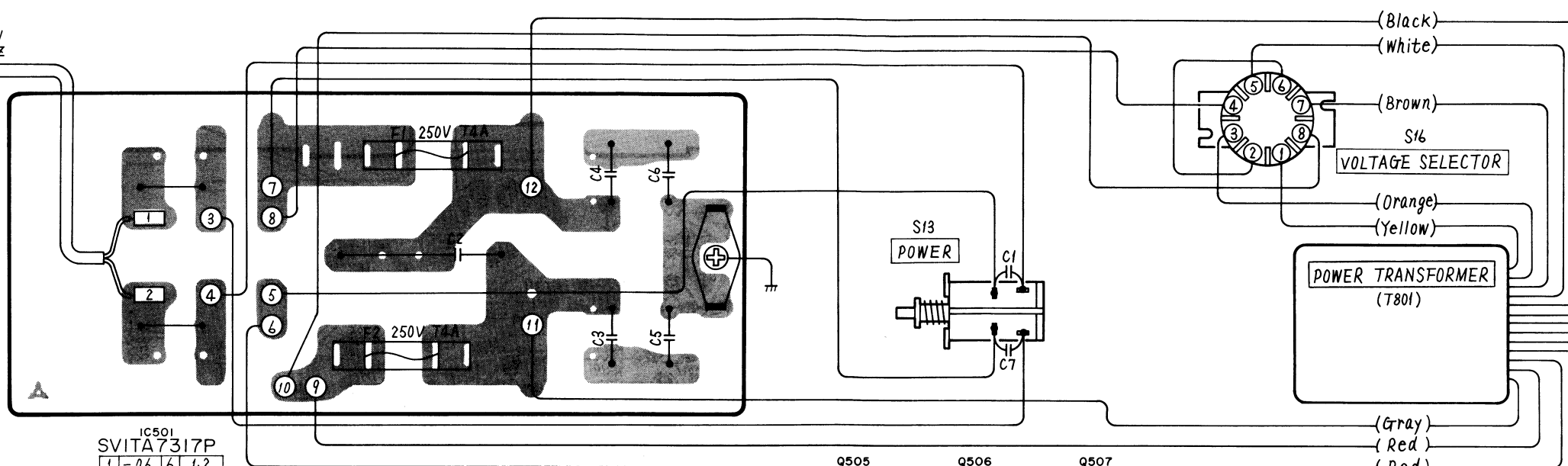


SU-V9 SU-V9

E Pre drive circuit



AC LINE
110/120/220/240V
50/60HZ

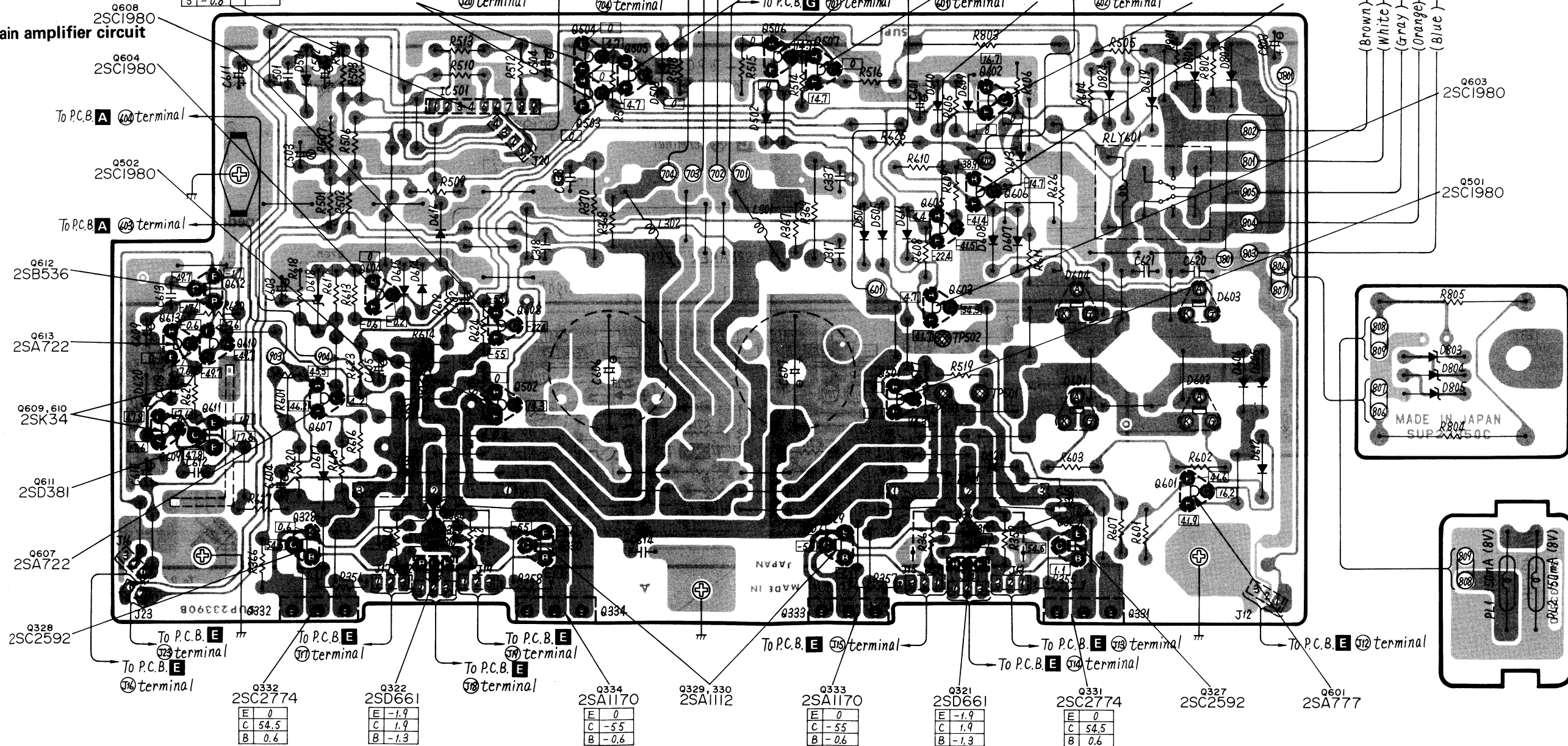


IC501
SVITA 7317P

1	-0.6	6	1.2
2	0	7	0
3	0	8	1.3
4	0	9	3.0
5	-0.8		

F

Main amplifier circuit



Q332
2SC2774

E	0
C	54.5
B	0.6

Q322
2SD661

E	-1.9
C	-5.5
B	-1.3

Q334
2SA1170

E	0
C	-5.5
B	-0.6

Q329, 330
2SA1112

E	0
C	-5.5
B	-0.6

Q333
2SA1170

E	0
C	-5.5
B	-0.6

Q321
2SD661

E	-1.9
C	-5.5
B	-1.3

Q331
2SC2774

E	0
C	54.5
B	0.6

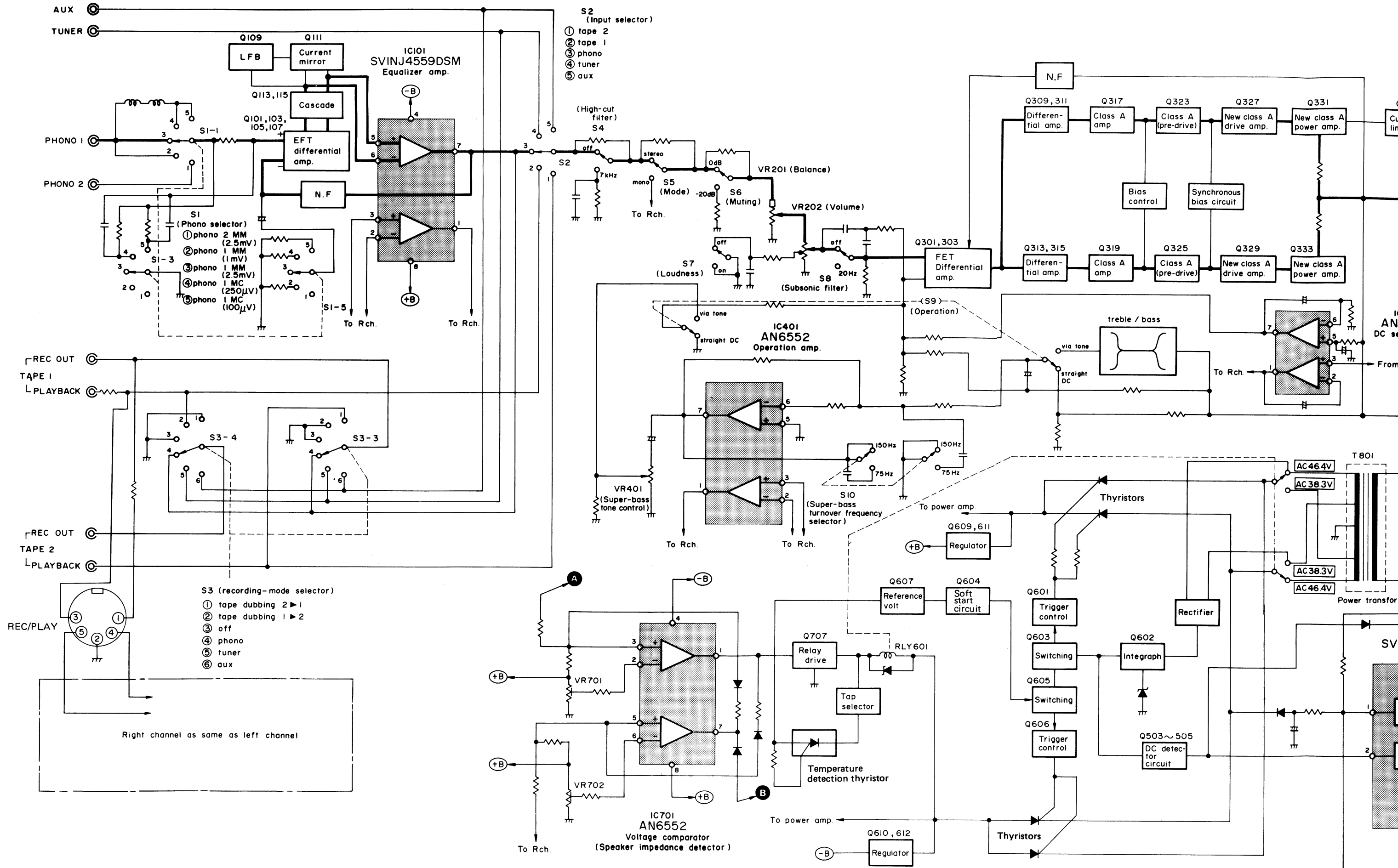
Q327
2SC2592

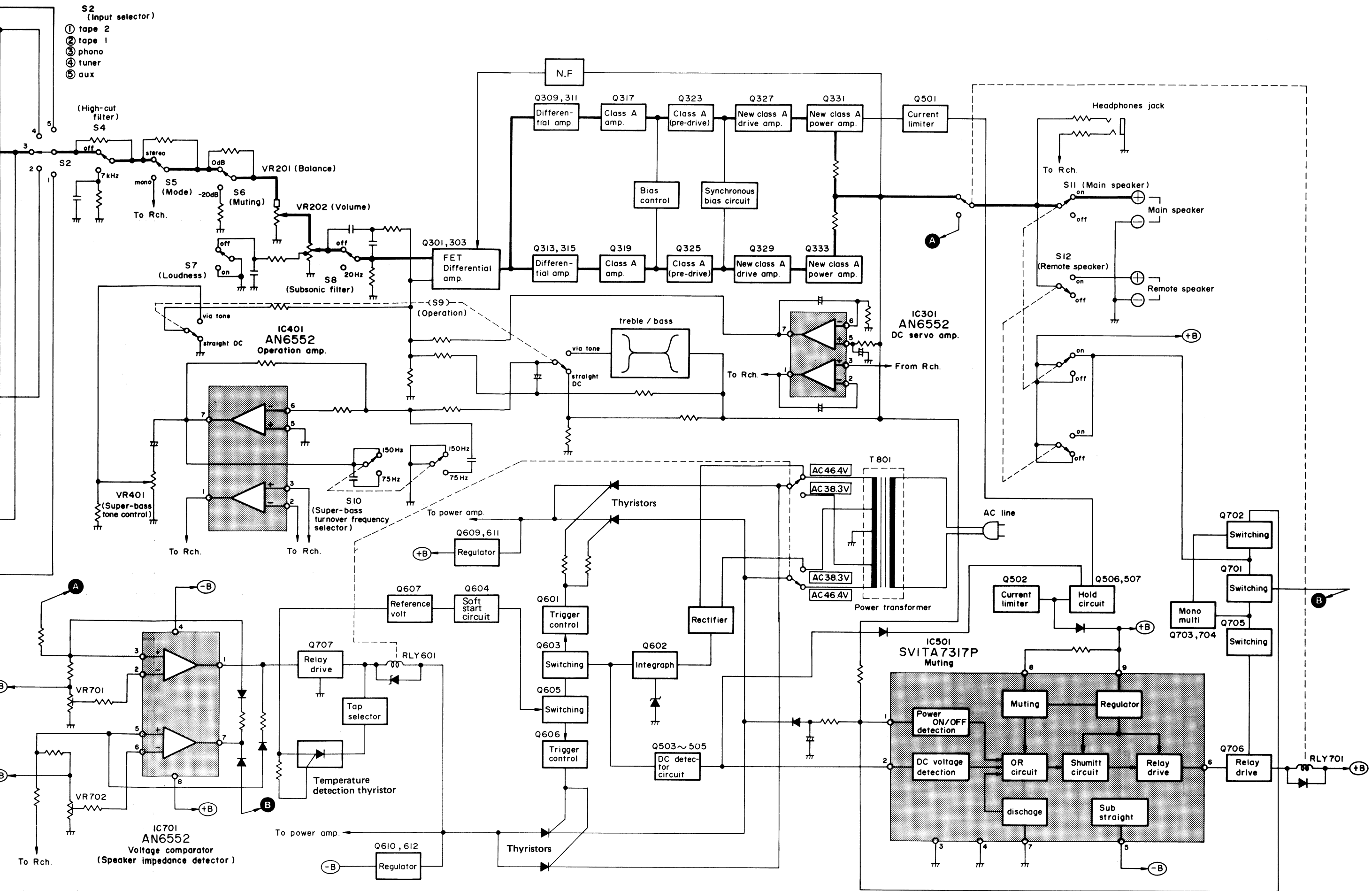
E	0
C	54.5
B	0.6

Q601
2SA777

E	0
C	54.5
B	0.6

BLOCK DIAGRAM





SCHEMATIC DIAGRAM

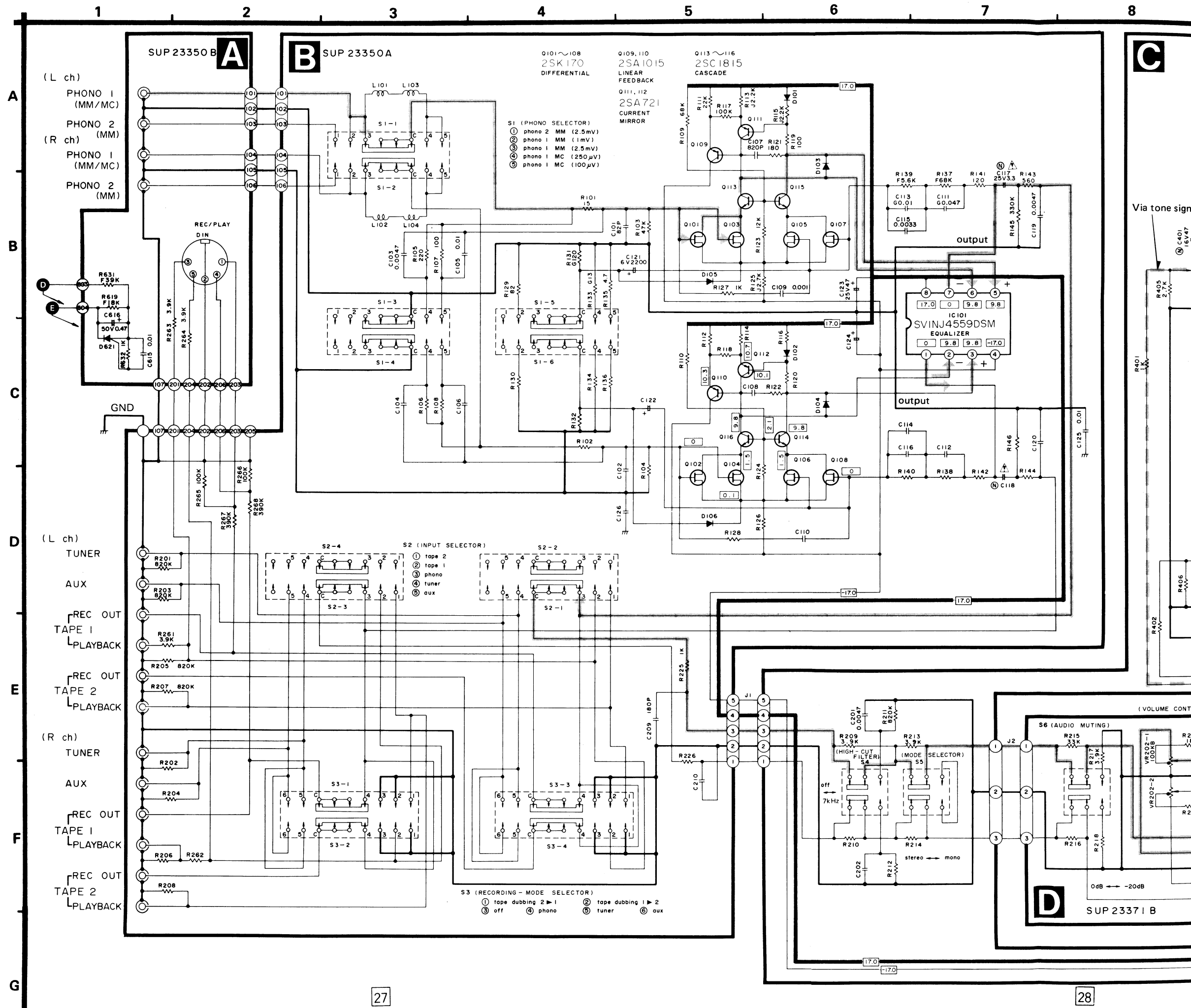
(This schematic diagram may be modified at any time with the development of new technology.)

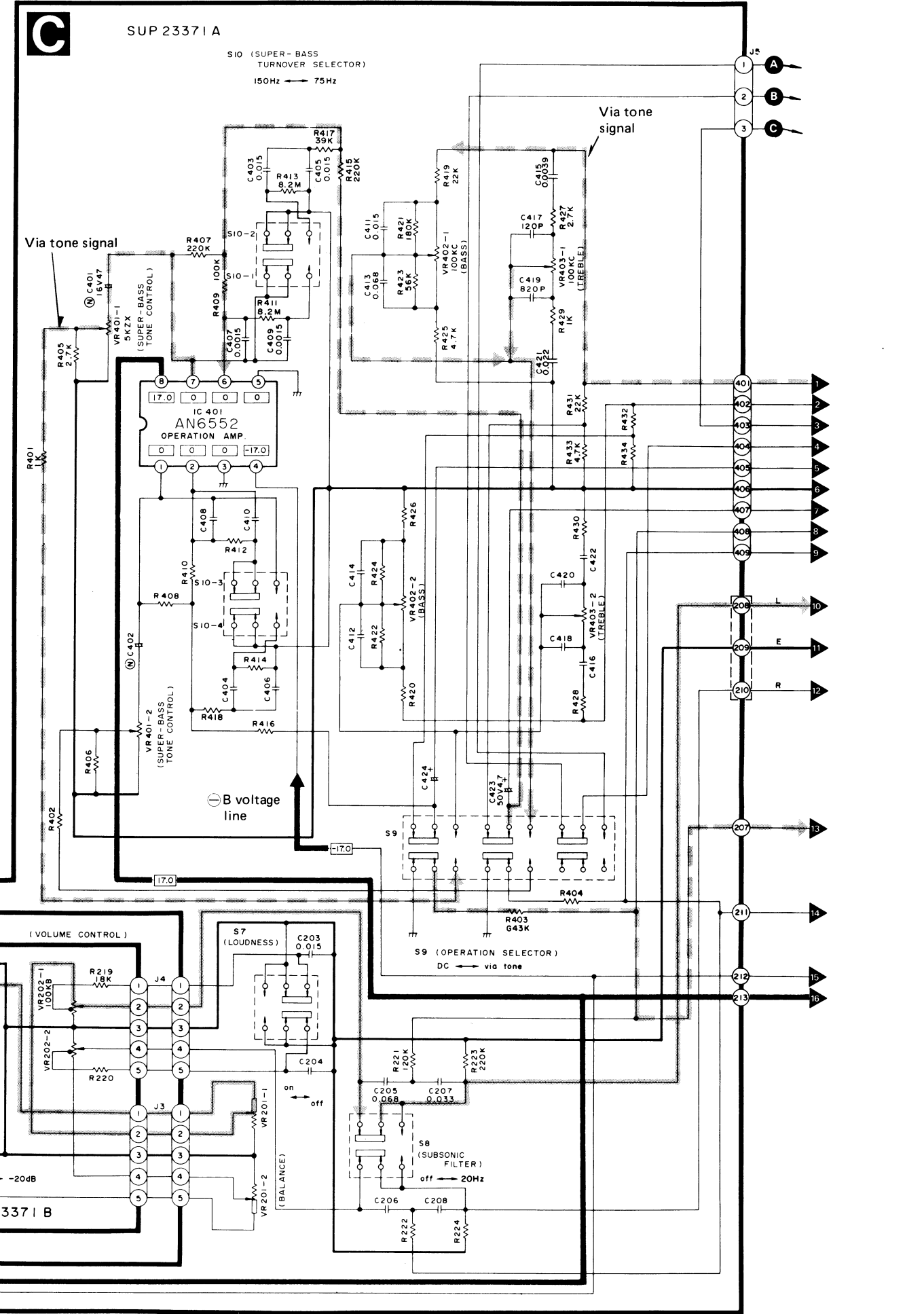
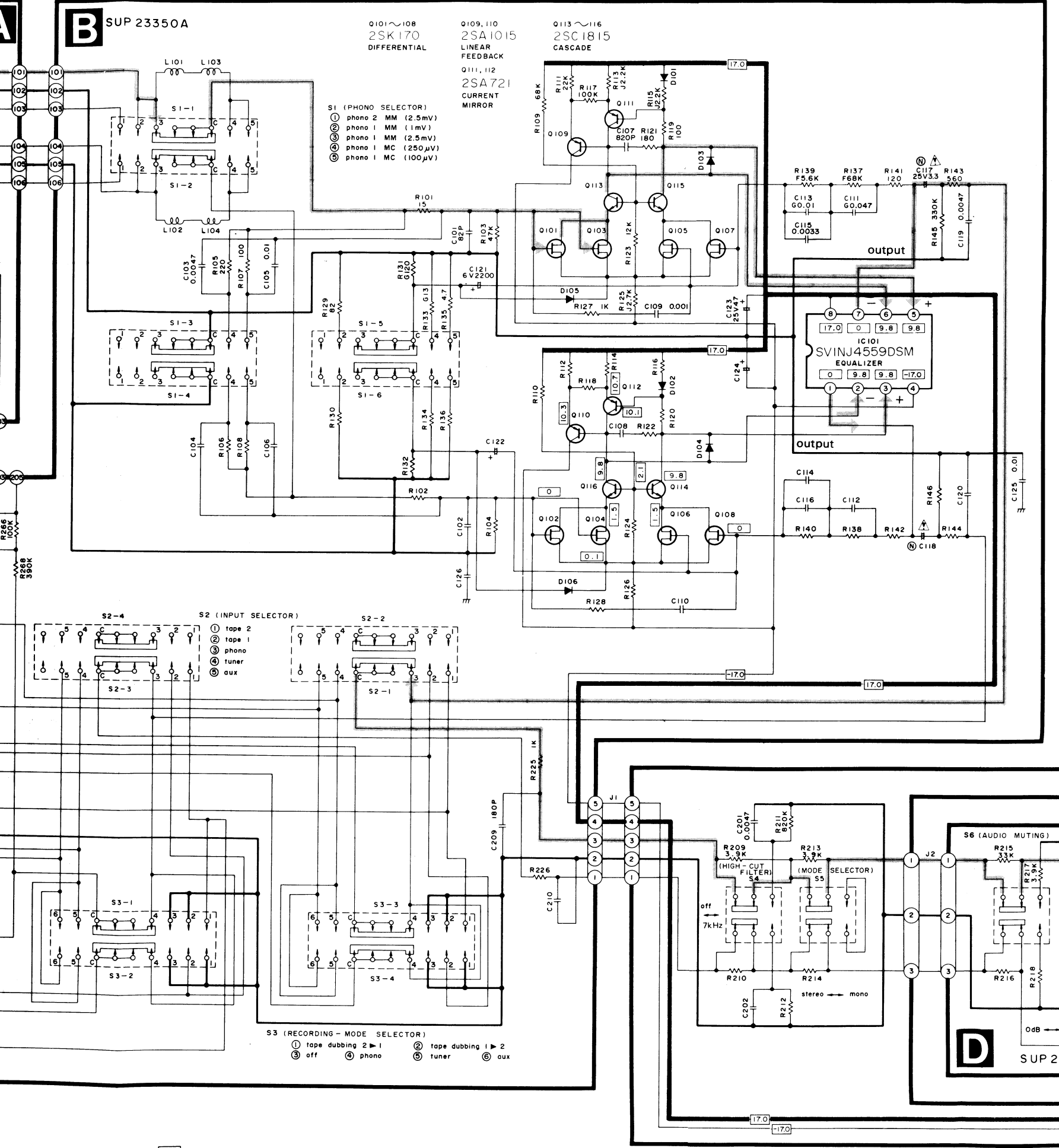
Notes:

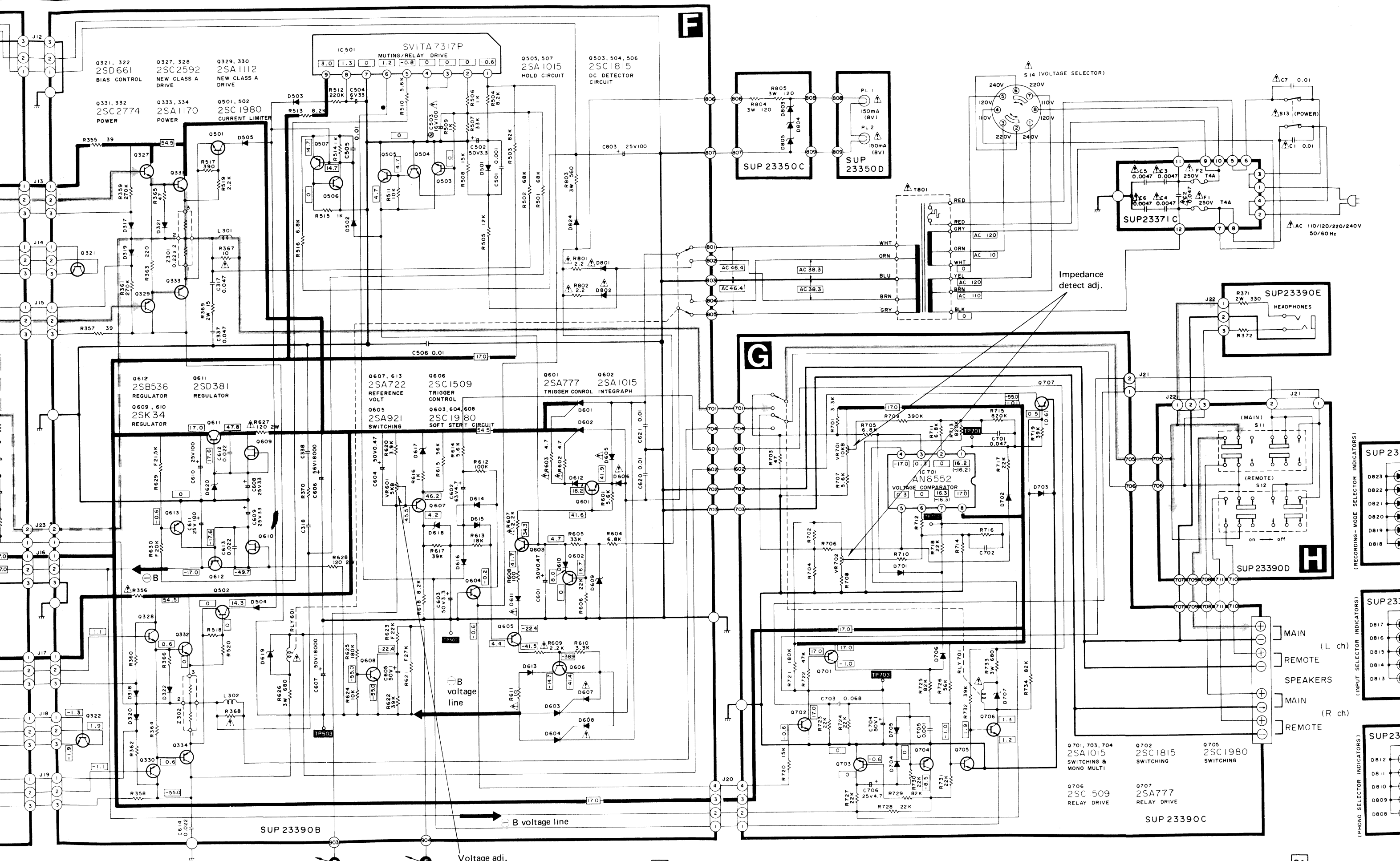
- S1-1~S1-6:** Phono selector switch in "phono 1 MM (2.5 mV)" position.
 ① phono 2 MM (2.5mV) ↔ ② phono 1 MM (1mV) ↔
 ③ phono 1 MM (2.5mV) ↔ ④ phono 1 MC (250μV) ↔
 ⑤ phono 1 MC (100μV)
- S2-1~S2-4:** Input selector switch in "phono" position.
 ① tape 2 ↔ ② tape 1 ↔ ③ phono ↔ ④ tuner ↔
 ⑤ aux
- S3-1~S3-4:** Recording-mode selector switch in "off" position.
 ① tape dubbing 2 ▶ 1 ↔ ② tape dubbing 1 ▶ 2 ↔ ③ off ↔
 ④ phono ↔ ⑤ tuner ↔ ⑥ aux
- S4:** High-cut filter switch in "off" position.
 7kHz ↔ off
- S5:** Mode selector switch in "stereo" position.
 stereo ↔ mono
- S6:** Audio muting switch in "0dB" position.
 0dB ↔ -20dB
- S7:** Loudness switch in "off" position.
 on ↔ off
- S8:** Subsonic filter switch in "off" position.
 off ↔ 20Hz
- S9:** Operation selector switch in "straight DC" position.
 straight DC ↔ via tone
- S10:** Super-bass turnover selector switch in "150Hz" position.
 150Hz ↔ 75Hz
- S11:** Main speaker switch in "on" position.
- S12:** Remote speaker switch in "off" position.
- S13:** Power switch in "on" position.
- S14:** Voltage selector switch in "220V" position.
 110V ↔ 120V ↔ 240V ↔ 220V.
- Same circuit is used for both L and R channels. For the resistance and capacity of R channel (bottom of circuit diagram), refer to L channel. For the voltage value, refer to R channel.
- Indicated voltage values are the standard values for the DC electronic circuit tester (high impedance) with the chassis taken as standard. Therefore, there may exist some errors in the voltage values, depending on the internal impedance of the DC circuit tester.
- The voltage values in are those obtained with speaker selector set at "main" and load impedance at "8Ω".
- The parenthesized voltage values are those obtained with speaker selector at "main" and load impedance at "4Ω".
- Phono signal lines of left channel
- Positive (+B) voltage lines.
- Important safety notice:**
 Components identified by ▲ mark have special characteristics important for safety. When replacing any of these components, use only manufacturer's specified parts.

• Part number of diode

Diode Ref. No.	Production Part No.	Standardized Part No.
D101, 102, 105, 106	SVDMA26-1	MA27A1
D103, 104	MA150	MA162A
D621	SVTTT202-50	







F

G

H

(RECORDING - MODE SELECTOR INDICATORS)

(INPUT SELECTOR INDICATORS)

(PHONO SELECTOR INDICATORS)

Impedance detect adj.

Voltage adj.

SUP 23390B

SUP 23390C

SUP 23390E

SUP 233

SUP 233

SUP 233

0701, 703, 704
2SA1015
SWITCHING &
MONO MULTI

0702
2SC1815
SWITCHING

0705
2SC1980
SWITCHING

0706
2SC1509
RELAY DRIVE

0707
2SA777
RELAY DRIVE

MAIN (L ch)

REMOTE

SPEAKERS

MAIN (R ch)

REMOTE

HEADPHONES

R371 2W 330

R372

J22

SUP 23390E

AC 110/120/220/240V

50/60 Hz

AC 120

AC 110

AC 120

AC 10

AC 46.4

AC 46.4

AC 38.3

AC 38.3

AC 46.4

AC 46.4

AC 120

AC 110

AC 120

AC 10

AC 46.4

AC 46.4

AC 38.3

AC 38.3

AC 46.4

AC 46.4

AC 120

AC 110

AC 120

AC 10

AC 46.4

AC 46.4

AC 38.3

AC 38.3

AC 46.4

AC 46.4

AC 120

AC 110

AC 120

AC 10

AC 46.4

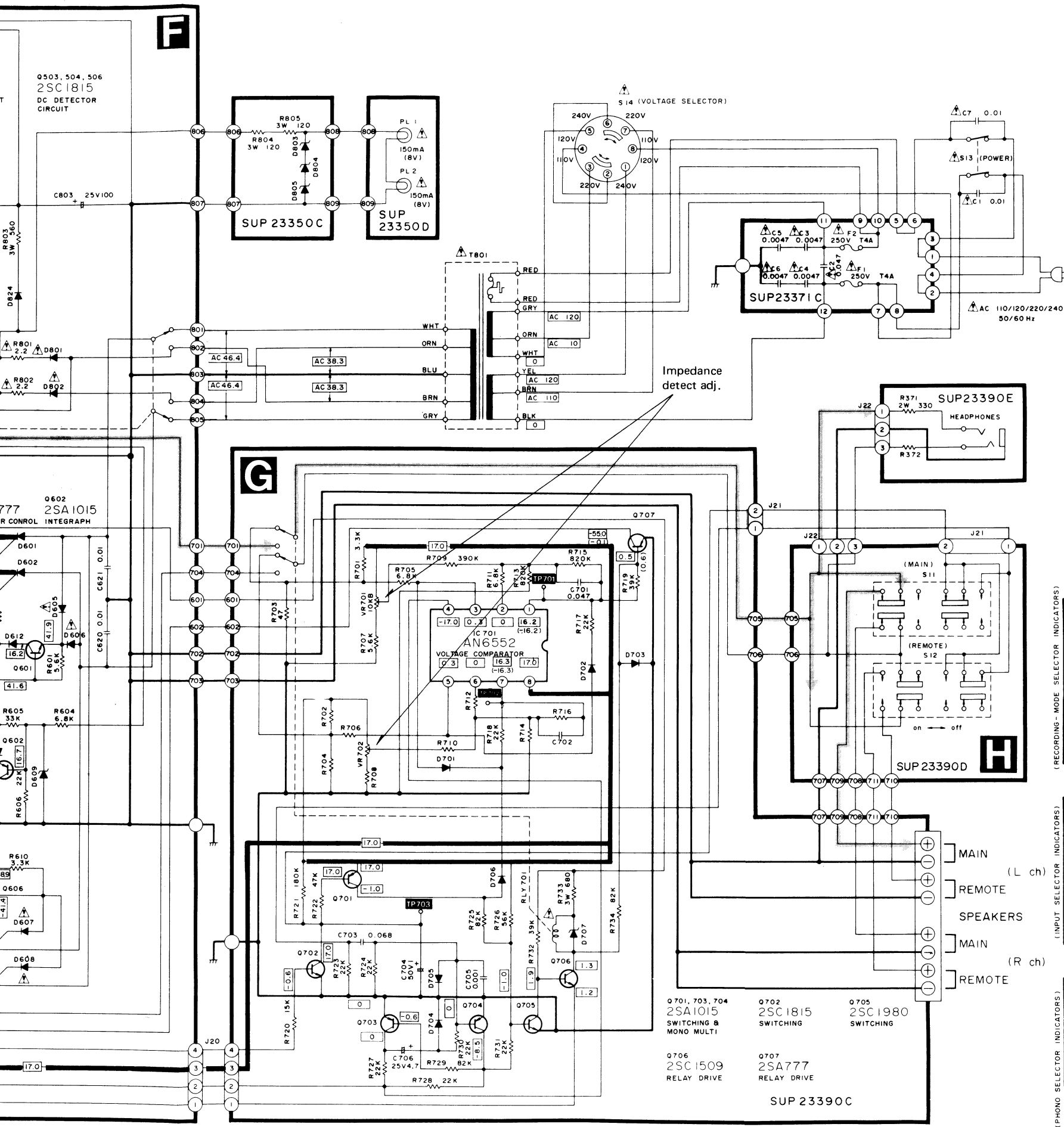
AC 46.4

AC 38.3

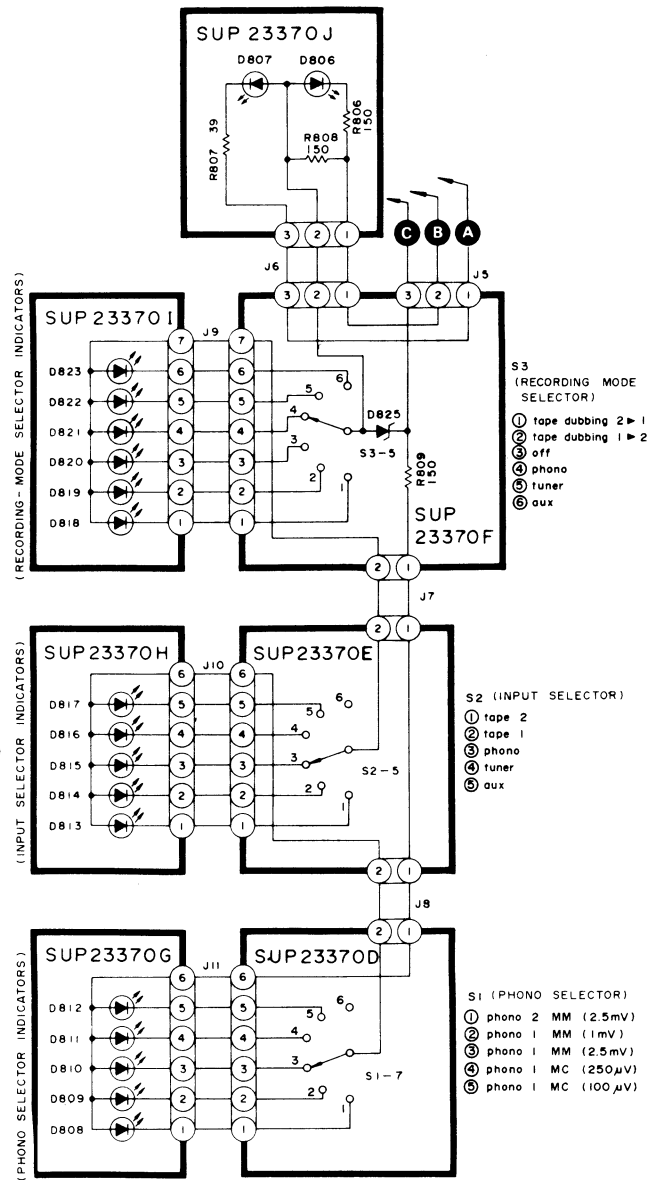
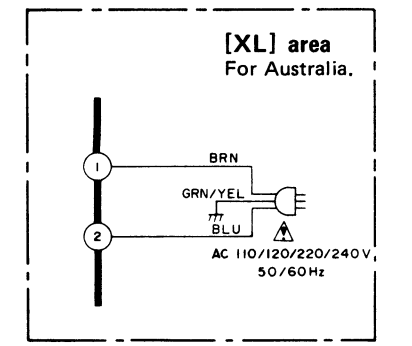
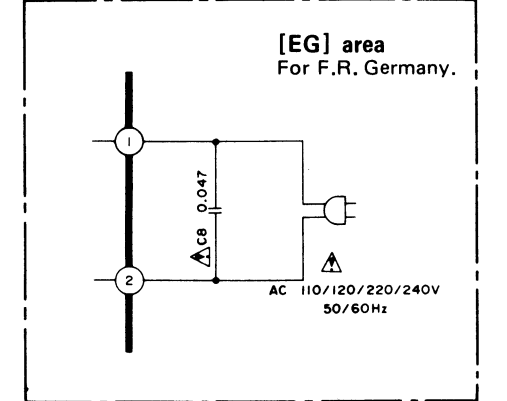
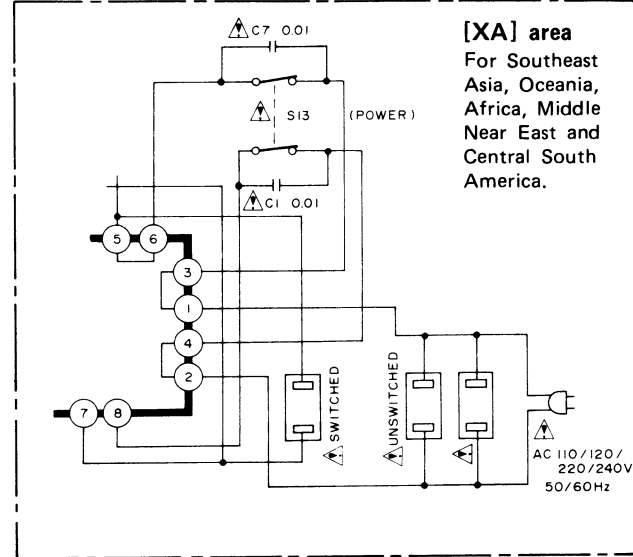
AC 38.3

AC 46.4

AC 46.4



• Power source circuit for [XA], [EG] and [XL] areas only.



• Part number of diode

Diode Ref. No.	Production Part No.	Standardized Part No.
D301 ~ 304, 502, 503	MA150	MA162A
D305, 306, 309, 310, 327 ~ 330	SVDMA26-1	MA27A1
D307, 308, 311, 312	MA162A	←
D313 ~ 316, 323 ~ 326	0A90	20A90
D317 ~ 320	SVDMA26-2	←
D321, 322	MA150	MA162A
D501, 504, 505	MA162A	←
D601 ~ 604	SVDCR6AM-4	←
D605 ~ 608, 801, 802	SVDSRIK4	←
D609	SVDMZ320B	←
D610, 611, 614, 615	MA150	MA162A
D612, 613, 616	MA162A	←
D617	SVDMZ308A1	←
D618	SVDMZ303B	←
D619, 707	SVDMZ422B	←
D620	SVDMZ318A2	←
D701 ~ 706	MA150	MA162A
D803 ~ 805	SVDMZ409B	←
D806	LN820WP	←
D807	LN420WP	←
D808 ~ 823	LN833WP	←
D824	SVDSRIK2	←
D825	SVDMZ307B	←

Continued from page 14.

Ref. No.	Part No.	Part Name & Description
C5, 6 C8 [EG] only	△ ECKDKC472MF ECQE2A473MW	Ceramic, 400VAC, 0.0047μF, ±20% Polyester, 250VAC, 0.047μF, ±20%
C101, 102	△ ECDD1H820K	Ceramic, 50V, 82pF, ±10%
C103, 104	△ ECKD1H472ZF	Ceramic, 50V, 0.0047μF, ±10%
C105, 106	△ ECKD1H103ZF	Ceramic, 50V, 0.01μF, ±10%
C107, 108	△ ECKD1H821KB	Ceramic, 50V, 820pF, ±10%
C109, 110	△ ECKD1H102ZF	Ceramic, 50V, 0.01μF, ±10%
C111, 112	△ ECQP1473GZ	Polypropylene, 100V, 0.047μF, ±2%
C113, 114	△ ECQP1103GZ	Polypropylene, 100V, 0.01μF, ±2%
C115, 116	△ ECQM1H332JZ	Polyester, 50V, 0.0033μF, ±5%
C117, 118	△ ECEA1EN3R3S	Non-Polar Electrolytic, 25V, 3.3μF
C119, 120	△ ECQM1H472JZ	Polyester, 50V, 0.0047μF, ±5%
C121, 122	△ ECEA0JS222	Electrolytic, 6.3V, 2200μF
C123, 124	△ ECEA1ES470	Electrolytic, 25V, 47μF
C125, 126	△ ECKD1H103ZF	Ceramic, 50V, 0.01μF, ±10%
C201, 202	△ ECQM1H472JZ	Polyester, 50V, 0.0047μF, ±10%
C203, 204	△ ECQM1H153JZ	Polyester, 50V, 0.015μF, ±10%
C205, 206	△ ECQM1H683JZ	Polyester, 50V, 0.068μF, ±10%
C207, 208	△ ECQM1H333JZ	Polyester, 50V, 0.033μF, ±10%
C209, 210	△ ECDD1H181K	Ceramic, 50V, 180pF, ±10%
C301, 302	△ ECDD1H121K	Ceramic, 50V, 120pF, ±10%
C303, 304	△ ECEA50Z1	Electrolytic, 50V, 1μF
C305, 306	△ ECDD2H120K	Ceramic, 500V, 12pF, ±10%
C307, 308	△ ECDD2H030C	Ceramic, 500V, 3pF, ±0.25pF
C309, 310	△ ECDD2H120K	Ceramic, 500V, 12pF, ±10%
C311, 312	△ ECDD2H030C	Ceramic, 500V, 3pF, ±0.25pF
C313, 314	△ ECKD1H681KB	Ceramic, 50V, 680pF, ±10%
C315, 316	△ ECKD1H681KB	Ceramic, 50V, 680pF, ±10%
C317, 318	△ ECKD1H473ZF	Ceramic, 50V, 0.047μF, ±10%
C319, 320	△ ECEA1HS100	Electrolytic, 50V, 10μF
C321, 322	△ ECEA25N4R7	Non-Polar Electrolytic, 25V, 4.7μF
C323, 324	△ ECKD1H221KB	Ceramic, 50V, 220pF, ±10%
C325, 326	△ ECQM1H223JZ	Polyester, 50V, 0.022μF, ±10%
C327, 328	△ ECDD2H151KC	Ceramic, 500V, 150pF, ±10%
C329, 330	△ ECEA1JS100	Electrolytic, 63V, 10μF
C331, 332	△ ECEA1JS100	Electrolytic, 63V, 10μF
C333, 334	△ ECKD1H221KB	Ceramic, 50V, 220pF, ±10%
C335, 336	△ ECDD2H030C	Ceramic, 500V, 3pF, ±0.25pF
C337, 338	△ ECKD1H473ZF	Ceramic, 50V, 0.047μF, ±10%

Ref. No.	Part No.	Part Name & Description
C401, 402	△ ECEA1CN470S	Non-Polar Electrolytic, 16V, 47μF
C403, 404	△ ECQM1H153JZ	Polyester, 50V, 0.015μF, ±10%
C405, 406	△ ECQM1H153JZ	Polyester, 50V, 0.015μF, ±10%
C407, 408	△ ECQM1H152JZ	Polyester, 50V, 0.0015μF, ±10%
C409, 410	△ ECQM1H152JZ	Polyester, 50V, 0.0015μF, ±10%
C411, 412	△ ECQM1H153JZ	Polyester, 50V, 0.015μF, ±10%
C413, 414	△ ECQM1H683JZ	Polyester, 50V, 0.068μF, ±10%
C415, 416	△ ECQM1H392JZ	Polyester, 50V, 0.0039μF, ±10%
C417, 418	△ ECDD1H121K	Ceramic, 50V, 120pF, ±10%
C419, 420	△ ECQS1821JZ	Polystyrene, 125V, 820pF, ±5%
C421, 422	△ ECQM1H223JZ	Polyester, 50V, 0.022μF, ±10%
C423, 424	△ ECEA50Z4R7	Electrolytic, 50V, 4.7μF
C501	△ ECKD1H102ZF	Ceramic, 50V, 0.001μF, ±10%
C502	△ ECEA50Z3R3	Electrolytic, 50V, 3.3μF
C503	△ ECEA1CN101S	Non-Polar Electrolytic, 16V, 100μF
C504	△ ECEA1CS330	Electrolytic, 16V, 33μF
C505	△ ECKD1H103ZF	Ceramic, 50V, 0.01μF, ±10%
C506	△ ECKD1H103ZF	Ceramic, 50V, 0.01μF, ±10%
C601	△ ECEA50ZR47	Electrolytic, 50V, 0.47μF
C602	△ ECEA1JS4R7	Electrolytic, 63V, 4.7μF
C603	△ ECEA50Z3R3	Electrolytic, 50V, 3.3μF
C604	△ ECEA50ZR47	Electrolytic, 50V, 0.47μF
C605	△ ECEA50Z1	Electrolytic, 50V, 1μF
C606, 607	△ ECET56V183Z	Electrolytic, 56V, 18000μF, ±10%
C608, 609	△ ECEA1VS330	Electrolytic, 35V, 33μF
C610, 611	△ ECEA1ES101	Electrolytic, 25V, 100μF
C612, 613	△ ECKD1H223ZF	Ceramic, 50V, 0.022μF, ±10%
C614	△ ECKD1H223ZF	Ceramic, 50V, 0.022μF, ±10%
C616	△ ECEA50ZR47	Electrolytic, 50V, 0.47μF
C620, 621	△ ECKD2H103ZE	Ceramic, 500V, 0.01μF, ±10%
C701, 702	△ ECQM1H473JZ	Polyester, 50V, 0.047μF, ±10%
C703	△ ECQM1H683JZ	Polyester, 50V, 0.068μF, ±10%
C704	△ ECEA50Z1	Electrolytic, 50V, 1μF
C705	△ ECKD1H102ZF	Ceramic, 50V, 0.001μF, ±10%
C706	△ ECEA25Z4R7	Electrolytic, 25V, 4.7μF
C803	△ ECEA1ES101	Electrolytic, 25V, 100μF

Ref. No.	Part No.	Part Name & Description
33	ESA3397B	Remote Control, Input Selector (S2)
34	ESA3396B	Remote Control, Rec Selector (S3)
35	SBC337	Button, Power
36	XCJ6P21B-A1	Jack, Headphone
37	SUW1847	Bracket, Headphone Jack
38	○ SKC850S1	Cabinet Cover
38	⊗ SKC850B1	Cabinet Cover (Black)
39	SML107-3	Bracket, Power Transformer
40	SMC947	Shield Cover
41	SUW1851-1	Bracket, Heat Sink
42	SUW1857	Bracket, Heat Sink
43	SUW1851	Bracket, Heat Sink
44	SMX513	Spacer, Transistor
45	SUW1855	Bracket, Electrolytic Capacitor
46	SUW1975	Bracket, PCB Holder
47	SHG6087-1	Rubber, Power Transformer
48	SMX507	Shield Cover
49	SGPUV9E	Rear Panel
49 [D, EW] only	SGP2850-4A	Rear Panel
49 [XL] only	SGPUV9L	Rear Panel
49 [XA] only	SGP2850-2A	Rear Panel
50	SMX387	Spacer, Rear Panel
51	SHR127	Bushing, AC Cord
51 [EK] only	SHR129	Bushing, AC Cord
51 [XL] only	SHR131	Bushing, AC Cord
52	△ SJA97	AC Cord
52 [EK] only	△ QFC1205M	AC Cord
52 [EW, XA] only	△ SJA111	AC Cord
52 [XL] only	△ QFC1207MA	AC Cord
53 [XA] only	△ SJS601-2	Socket, AC Outlet
54	SJF4101	Terminal, GND
55	SJF4813-2	Terminal Board, Speaker
56	SUW1853	Bracket, PCB Holder
57	SJF3431-6SA	Terminal Board, Input (Phono)
58	SJF3049-2N	Terminal Board, Input and Output
59	SKU8990-1	Bottom Board
60	SK L227-2	Foot
61	SMC939-1	Shield Plate
62	SHG6229	Rubber, Right Side
63	SMZ307	Cover, Lamp
64 [XL] only	RJT202B	Terminal
65	SJS6513	Socket, Rec/Play
66	SHR301	Lead Clamper
N1	XTB3+58FZ	Screw, Tapping ⊕ 3x5
N2	XTB3+88BFN	Screw, Tapping ⊕ 3x8
N3	XTBS3+88BFZ1	Screw, Tapping with Detent ⊕ 3x8
N4	XXE4D5FZ	Screw, Knob (Selector Switch)
N5	XSN3+6S	Screw, ⊕ 3x6
N6	XWA3B	Washer, Spring φ3
N7	XTB3+88BFZ	Screw, Tapping ⊕ 3x8
N8	XUC3FT	Circlip, φ3

Ref. No.	Part No.	Part Name & Description
N9	SNE4021	Nut, (Volume and Switch)
N10	XTBS3+88BFZ1	Screw, Tapping with Detent ⊕ 3x8
N11	XSN3+6S	Screw, ⊕ 3x6
N12	XWA3B	Washer, Spring φ3
N13	SNE59-1	Washer, Wave
N14	XNS12	Nut, φ12
N15	⊗ XTB4+88BFN	Screw, Tapping ⊕ 4x8
N15	⊗ XTB4+88BFZ	Screw, Tapping ⊕ 4x8
N16	⊗ XTB4+108BFN	Screw, Tapping ⊕ 4x10
N18	XWG3	Washer, Plain φ3
N19	XTN3+10BFZ	Screw, Tapping ⊕ 3x10
N20	XWG3FZ	Washer, Plain φ3
N21	XTBS3+88BFZ1	Screw, Tapping with Detent ⊕ 3x8
N22	XTN3+10B	Screw, Tapping ⊕ 3x10
N23	XWG3	Washer, Plain φ3
N24	XTBS3+88BFZ1	Screw, Tapping with Detent ⊕ 3x8
N25	XTN3+12BFZ	Screw, Tapping ⊕ 3x12
N26	XWG3FZ	Washer, Plain φ3
N27	XSN3+10BNS	Screw, ⊕ 3x10
N28	XWA3BFN	Washer, Spring φ3
N29	XWG3FN	Washer, Plain φ3
N30	XWC6B	Washer, External Toothed Lock φ6
N31	XNG6E	Nut, φ6
N32	XTB3+10BFZ	Screw, Tapping ⊕ 3x10
N33	XTBS3+88BFZ1	Screw, Tapping with Detent ⊕ 3x8
N34	XTB3+12BFZ	Screw, Tapping ⊕ 3x12
N35	○ SNE2083-1	Screw, Tinted Class
N35	⊗ SNE2083	Screw, Tinted Class
N36 [XL] only	XWC4BVS	Washer, External Toothed Lock φ4
N37 [XL] only	XSN3+8BNS	Screw, ⊕ 3x8
N38 [XL] only	XWA3BFN	Washer, Spring φ3
N39 [XL] only	XWC3B	Washer, External Toothed Lock φ3
N40	XWA3BFZ	Washer, Spring φ3
N41	XSN3+6BVS	Screw, ⊕ 3x6
ACCESSORIES		
A1 [XA] only	△ SJP5213-1	Plug Adapter, AC Power
A2 [XA] only	△ SJP5215	Plug Adapter, AC Power
A3	SQF10995	Instructions Book, Printed Matter
A3 [EK, XL] only	SQF10997	Instructions Book, Printed Matter
A3 [Ei] only	SQF10999	Instructions Book, Printed Matter
A3 [XA] only	SQF11001	Instructions Book, Printed Matter
A3 [EG] only	SQF11083	Instructions Book, Printed Matter
PACKING PARTS		
P1	○ SPP701	Polyethylene Bag
P1	⊗ SPP689	Polyethylene Bag
P2	SPS3327	Pad, Left Side
P3	SPS3329	Pad, Right Side
P4	SPG3333	Carton Box
P4 [EF] only	SPG3335	Carton Box
P5	⊗ SGK1413	Label, Carton Box (Black)

REPLACEMENT PARTS LIST Cabinet and chassis Parts

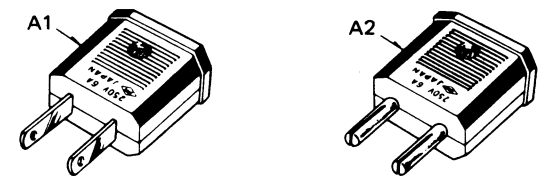
- Notes:**
- Part numbers are indicated on most mechanical parts. Please use this part number for parts orders.
 - Important safety notice: Components identified by △ mark have special characteristics important for safety. When replacing any of these components, use only manufacturer's specified parts.
 - ⊗-marked parts are used for black only, while ○-marked parts are for silver type only.
 - Parts other than ⊗ and ○-marked are used for both black and silver types.
 - Bracketed indications in Ref. No. columns specify the area. Parts without these indications can be used for all areas.

Black type model No.: SU-V9(K)

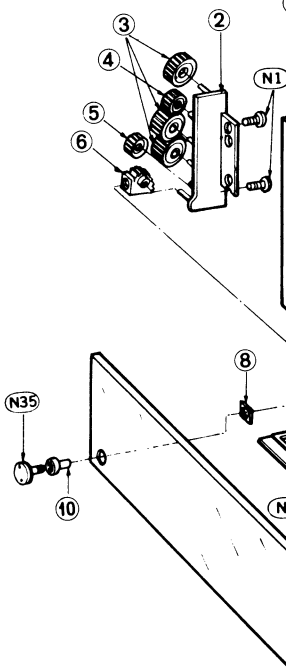
Ref. No.	Part No.	Part Name & Description
CABINET and CHASSIS PARTS		
1	○ SGWUV9M	Front Panel Ass'y
1	⊗ SGWUV9KE	Front Panel Ass'y (Black)
1-1	SHG6063-1	Spacer, Front Panel Ass'y
2	SUE25-1	Holder, Gear
3	SUB59	Gear
4	SUB65	Gear
5	SUB63	Gear
6	○ SUB53-2	Hinge, Tinted Glass
6	⊗ SUB53	Hinge, Tinted Glass
7	SUW1849	Bracket, Front Panel Ass'y
8	SHR9575	Spacer, Tinted Glass
9	SGU247	Tinted Glass
10	SHG6131	Spacer, Latch
11	SBN995	Knob, Selector Switch
12	○ SGX915	Ornament, Bottom
12	⊗ SGX915-1	Ornament, Bottom

Ref. No.	Part No.	Part Name & Description
13	○ SUB51-2	Hinge, Operation Lever
13	⊗ SUB51	Hinge, Operation Lever
14	SUE23-1	Holder, Operation Lever
15	SUB57	Operation Lever, Tinted Class
16	SUB55	Operation Lever, Tinted Class
17	SUS223	Spring, Operation Lever
18	SOU59	Filter, Lamp
19	SDE259	Tinted Cover, Lamp
20	SMP305	Lamp Case
21	SHG6129	Spacer, Button
22	SBC421	Button, Operation
23	SBN991-1	Knob, Volume
24	SBC339	Button, Muting, Speaker Selector
25	SBN1071	Knob, Super Bass, Bass, Treble, Balance
26	SHP9337	Spacer, Knob
27	SHG6149	Cushion Rubber
28	SHG6127-2	Cushion Rubber
29	SHP9299	Spacer, Volume Knob
30	SBC409	Button, Push Switch
31	SHG6199	Cushion Rubber
32	ESA3398B	Remote Control, Phono Selector (S1)

Accessories



- Areas**
- * [D] is available in Scandinavia.
 - * [EG] is available in F.R. Germany.
 - * [EK] is available in United Kingdom.
 - * [EF] is available in France.
 - * [EH] is available in Holland.
 - * [EB] is available in Belgium.
 - * [Ei] is available in Italy.
 - * [EW] is available in Switzerland.
 - * [XA] is available in Southeast Asia, Oceania, Africa, Middle Near East and Central South America.
 - * [XL] is available in Australia.



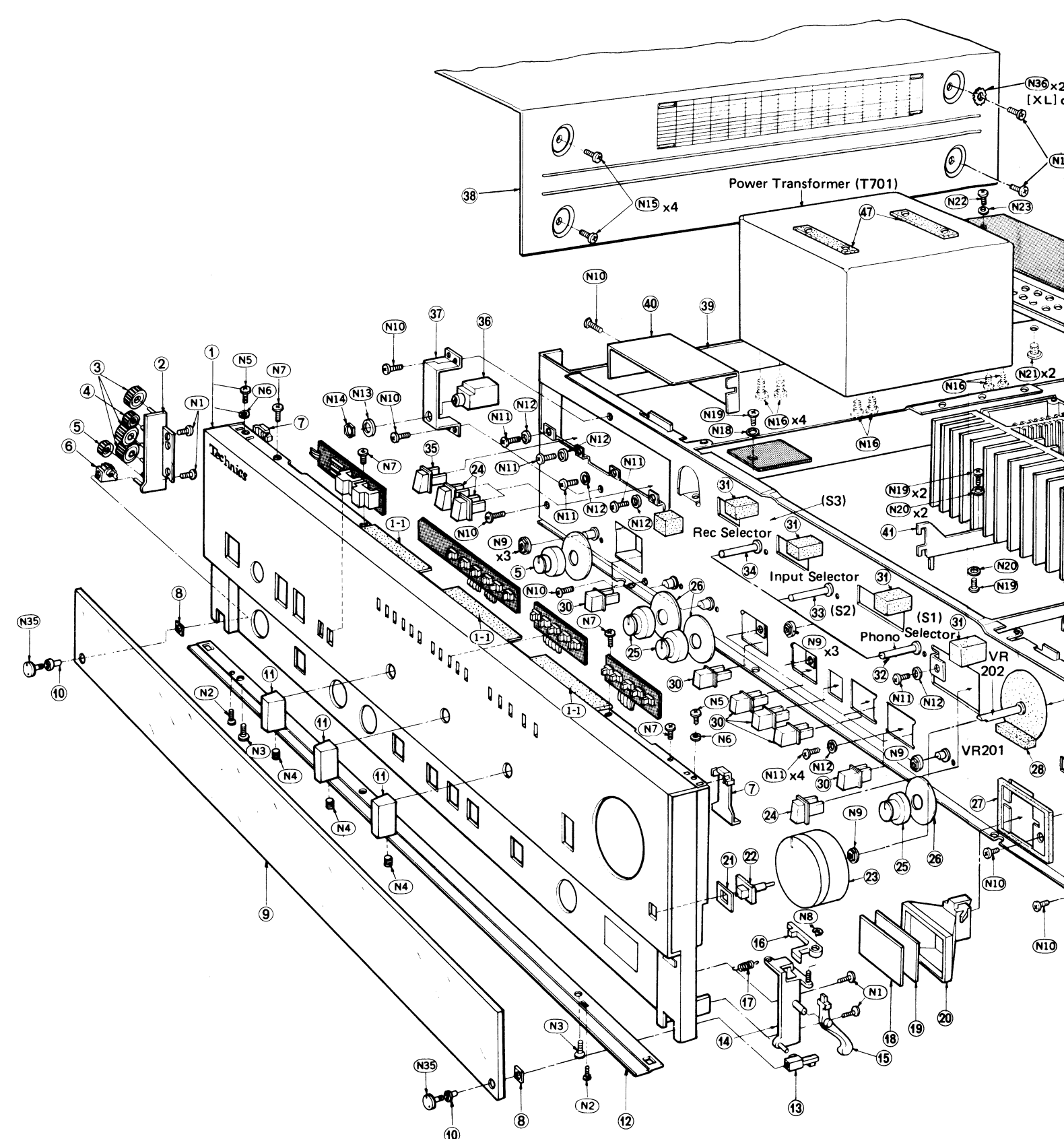
Description	Ref. No.	Part No.	Part Name & Description
0.015μF, ±10%	33	ESA3397B	Remote Control, Input Selector (S2)
0.015μF, ±10%	34	ESA3396B	Remote Control, Rec Selector (S3)
0.015μF, ±10%	35	SBC337	Button, Power
0.015μF, ±10%	36	XCJ6P21B-A1	Jack, Headphone
0.015μF, ±10%	37	SUW1847	Bracket, Headphone Jack
0.015μF, ±10%	38	SKC850S1	Cabinet Cover
0.068μF, ±10%	38	SKC850B1	Cabinet Cover (Black)
0.032μF, ±10%	39	SML107-3	Bracket, Power Transformer
120pF, ±10%	40	SMC947	Shield Cover
820pF, ±5%	41	SUW1851-1	Bracket, Heat Sink
0.022μF, ±10%	42	SUW1857	Bracket, Heat Sink
4.7μF	43	SUW1851	Bracket, Heat Sink
0.001μF, ±5%	44	SMX513	Spacer, Transistor
0.022μF, ±10%	45	SUW1855	Bracket, Electrolytic Capacitor
3.3μF	46	SUW1975	Bracket, PCB Holder
0.01μF, ±10%	47	SHG6087-1	Rubber, Power Transformer
0.01μF, ±10%	48	SMX507	Shield Cover
4.7μF	49	SGPUV9E	Rear Panel
3.3μF	49 [D, EW] only	SGP2850-4A	Rear Panel
0.47μF	49 [XL] only	SGPUV9L	Rear Panel
0.47μF	49 [XA] only	SGP2850-2A	Rear Panel
1μF	50	SMX387	Spacer, Rear Panel
8000μF, ±38%	51	SHR127	Bushing, AC Cord
33μF	51 [EK] only	SHR129	Bushing, AC Cord
100μF	51 [XL] only	SHR131	Bushing, AC Cord
0.022μF, ±10%	52	SJA97	AC Cord
0.022μF, ±10%	52 [EK] only	QFC1205M	AC Cord
0.47μF	52 [EW, XA] only	SJA111	AC Cord
0.01μF, ±10%	52 [XL] only	QFC1207MA	AC Cord
0.068μF, ±10%	53 [XA] only	SJS601-2	Socket, AC Outlet
1μF	54	SJF4101	Terminal, GND
0.001μF, ±10%	55	SJF4813-2	Terminal Board, Speaker
4.7μF	56	SUW1853	Bracket, PCB Holder
100μF	57	SJF3431-6SA	Terminal Board, Input (Phono)
0.01μF, ±10%	58	SJF3049-2N	Terminal Board, Input and Output
0.01μF, ±10%	59	SKU8990-1	Bottom Board
0.01μF, ±10%	60	SKL227-2	Foot
0.01μF, ±10%	61	SMC939-1	Shield Plate
0.01μF, ±10%	62	SHG6229	Rubber, Right Side
0.01μF, ±10%	63	SMZ307	Cover, Lamp
0.01μF, ±10%	64 [XL] only	RJT202B	Terminal
0.01μF, ±10%	65	SJS6513	Socket, Rec/Play
0.01μF, ±10%	66	SHR301	Lead Clamper

Description	Ref. No.	Part No.	Part Name & Description
0.01μF, ±10%	N9	SNE4021	Nut, (Volume and Switch)
0.01μF, ±10%	N10	XTBS3+8BFZ1	Screw, Tapping with Detent ⊕ 3x8
0.01μF, ±10%	N11	XSN3+6S	Screw, ⊕ 3x6
0.01μF, ±10%	N12	XWA3B	Washer, Spring φ3
0.01μF, ±10%	N13	SNE59-1	Washer, Wave
0.01μF, ±10%	N14	XNS12	Nut, φ12
0.01μF, ±10%	N15	XTB4+8BFN	Screw, Tapping ⊕ 4x8
0.01μF, ±10%	N15	XTB4+8BFZ	Screw, Tapping ⊕ 4x8
0.01μF, ±10%	N16	XTB4+10BFN	Screw, Tapping ⊕ 4x10
0.01μF, ±10%	N18	XWG3	Washer, Plain φ3
0.01μF, ±10%	N19	XTN3+10BFZ	Screw, Tapping ⊕ 3x10
0.01μF, ±10%	N20	XWG3FZ	Washer, Plain φ3
0.01μF, ±10%	N21	XTBS3+8BFZ1	Screw, Tapping with Detent ⊕ 3x8
0.01μF, ±10%	N22	XTN3+10B	Screw, Tapping ⊕ 3x10
0.01μF, ±10%	N23	XWG3	Washer, Plain φ3
0.01μF, ±10%	N24	XTBS3+8BFZ1	Screw, Tapping with Detent ⊕ 3x8
0.01μF, ±10%	N25	XTN3+12BFZ	Screw, Tapping ⊕ 3x12
0.01μF, ±10%	N26	XWG3FZ	Washer, Plain φ3
0.01μF, ±10%	N27	XSN3+10BNS	Screw, ⊕ 3x10
0.01μF, ±10%	N28	XWA3BFN	Washer, Spring φ3
0.01μF, ±10%	N29	XWG3FN	Washer, Plain φ3
0.01μF, ±10%	N30	XWC6B	Washer, External Toothed Lock φ6
0.01μF, ±10%	N31	XNG6E	Nut, φ6
0.01μF, ±10%	N32	XTB3+10BFZ	Screw, Tapping ⊕ 3x10
0.01μF, ±10%	N33	XTBS3+8BFZ1	Screw, Tapping with Detent ⊕ 3x8
0.01μF, ±10%	N34	XTB3+12BFZ	Screw, Tapping ⊕ 3x12
0.01μF, ±10%	N35	SNE2083-1	Screw, Tinted Class
0.01μF, ±10%	N35	SNE2083	Screw, Tinted Class
0.01μF, ±10%	N36 [XL] only	XWC4BVW	Washer, External Toothed Lock φ4
0.01μF, ±10%	N37 [XL] only	XSN3+8BNS	Screw, ⊕ 3x8
0.01μF, ±10%	N38 [XL] only	XWA3BFN	Washer, Spring φ3
0.01μF, ±10%	N39 [XL] only	XWC3B	Washer, External Toothed Lock φ3
0.01μF, ±10%	N40	XWA3BFZ	Washer, Spring φ3
0.01μF, ±10%	N41	XSN3+6BVS	Screw, ⊕ 3x6

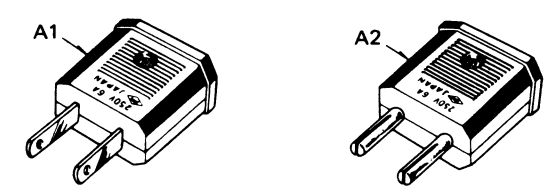
ACCESSORIES			
A1 [XA] only	▲	SJP5213-1	Plug Adapter, AC Power
A2 [XA] only	▲	SJP5215	Plug Adapter, AC Power
A3		SQF10995	Instructions Book, Printed Matter
A3 [EK, XL] only		SQF10997	Instructions Book, Printed Matter
A3 [Ei] only		SQF10999	Instructions Book, Printed Matter
A3 [XA] only		SQF11001	Instructions Book, Printed Matter
A3 [EG] only		SQF11083	Instructions Book, Printed Matter

PACKING PARTS			
P1	○	SPP701	Polyethylene Bag
P1	○	SP6689	Polyethylene Bag
P2		SPS3327	Pad, Left Side
P3		SPS3329	Pad, Right Side
P4		SPG3333	Carton Box
P4 [EF] only		SPG3335	Carton Box
P5	□	SGK1413	Label, Carton Box (Black)

EXPLODED VIEWS



Accessories



Areas

- * [D] is available in Scandinavia.
- * [EG] is available in F.R. Germany.
- * [EK] is available in United Kingdom.
- * [EF] is available in France.
- * [EH] is available in Holland.
- * [EB] is available in Belgium.
- * [Ei] is available in Italy.
- * [EW] is available in Switzerland.
- * [XA] is available in Southeast Asia, Oceania, Africa, Middle Near East and Central South America.
- * [XL] is available in Australia.

EXPLODED VIEWS

Rear Panel and AC Outlet. . . for [XA] area

