

SERVICE MANUAL

4-CHANNEL STEREO HEADPHONES SE-Q404

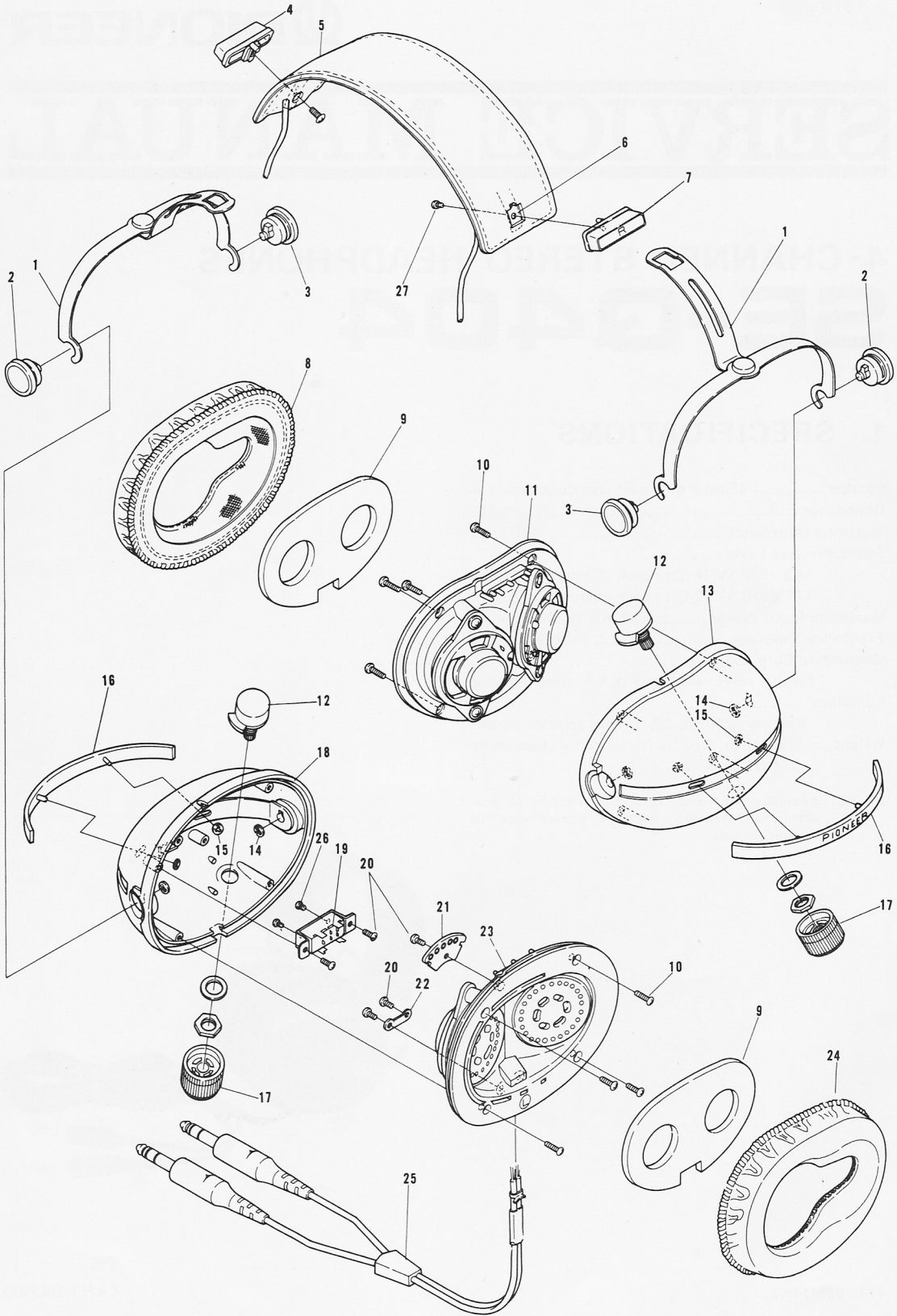
1. SPECIFICATIONS

Speakers 45mm ϕ polyester film cone type x 4
Impedance 8 Ω
Matching Impedance 4 to 16 Ω
Sound Pressure Level
 105 dB/0.3V (4-CH., each channel) at 200Hz
 111 dB/0.3V (2-CH., each channel) at 200Hz
Maximum Input Power 500 mW (each channel)
Frequency Response 20 to 20,000Hz
Connection Cord and Plug
 Parallel vinyl cord 3m with 6.5 mm ϕ 3-P plug
Functions
 Volume controls, 2-CH/4-CH selector switch
Weight 550g/1 lb. 3 oz. (without connection cord)
 670g/1 lb. 8 oz.

NOTE: Specifications and the design subject to possible modification without notice due to improvements.



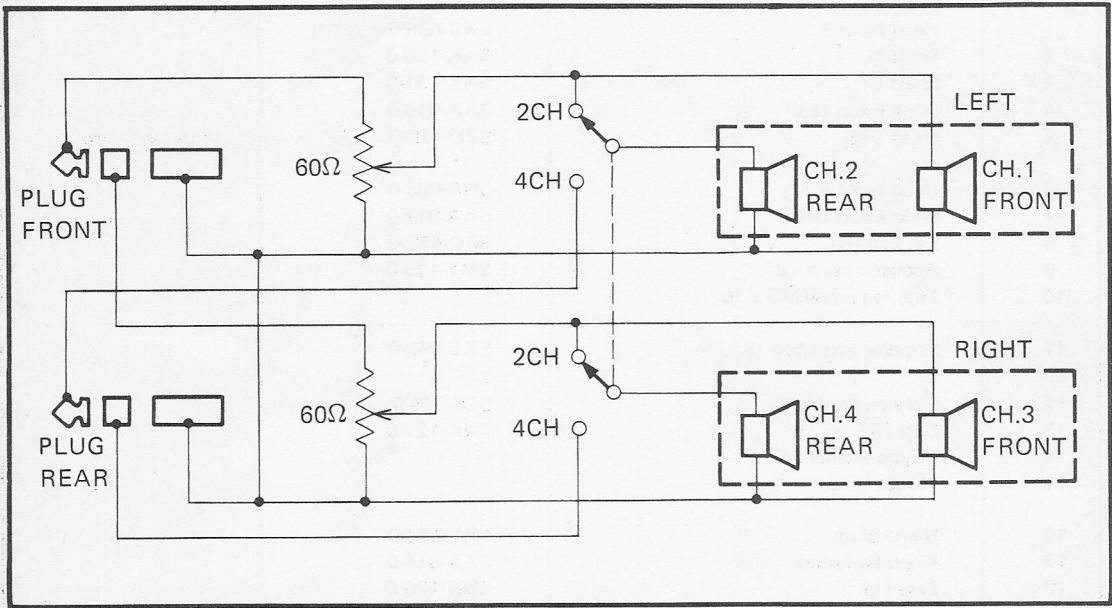
2. EXPLODED VIEW



Parts List

Key No.	Description	Part No.	
1	Head band B	SNB-095-0	With lead wire
2	Shaft A	SNK-130-0	
3	Shaft B	SNK-131-0	
4	Slide knob (L)	SAA-016-0	
5	Head pad	SCD-479-0	
6	Head band A	SNB-098-0	
7	Slide knob (R)	SAA-017-0	
8	Ear pad (R)	SCD-478-0	
9	Acoustic material	SMT-135-0	
10	Tapping screw M3 x 10		
11	Speaker assembly (R)	SXC-098-0	
...	
12	Volume control	SCS-005-0	
13	Case (R)	SNK-127-0	
14	E-type washer M3		
15	Stopper		
16	Name plate	SAL-433-0	
17	Knob (volume)	SAA-015-0	
18	Case (L)	SNK-126-0	
19	Slide switch	SSH-002-0	
20	Tapping screw M3 x 8		
21	Terminal board	SKC-022-0	
22	Cord clamper	SNB-094-0	
23	Speaker assembly (L)	SXC-097-0	
24	Ear pad (L)	SCD-477-0	
25	Cord with 3-P plug	SKM-016-0	
26	Pan head screw M2.6 x 4		
27	Binding head screw M3 x 8		
	Packing case	SHK-167-0/E	
	Vinyl bag No. 15		
	Operating instructions	SRB-091-0	

3. SCHEMATIC DIAGRAM



PIONEER ELECTRONIC CORPORATION
4-1, 1-Chome, Meguro, Meguro-ku, Tokyo 153, Japan
U.S. PIONEER ELECTRONICS CORPORATION
75 Oxford Drive, Moonachie, New Jersey 07074, U.S.A.
PIONEER ELECTRONIC (EUROPE) N.V.
Meir-Center Meir 21, 2000 Antwerp, Belgium
PIONEER ELECTRONICS AUSTRALIA PTY. LTD.
256-8 City Road, South Melbourne, Victoria 3205, Australia