

1107

Oktober 1972

RTV 701 a

(Z.-Nr. 58001-12)

GRUNDIG® ERSATZTEIL-LISTE

ARCHIV LIST OF SPARE-PARTS

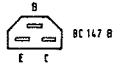
Pos. Code No.	Photo No.	Benennung / Bemerkungen	Bestell-Nr. Part-Number	Description / Remarks
		<u>Siehe E-Liste RTV 700 (1808-11) mit folgenden Änderungen:</u>	<u>see parts-list RTV (1808-11) with following alterations:</u>	
1		Gehäuse kpl. (hell)	58001-010.23	cabinet assy (light)
1		Gehäuse kpl. (weiß)	58001-010.53	cabinet assy (white)
1		Gehäuse kpl. (palisanderf.)	58001-010.30	cabinet assy (rose-wood)
2		Zierleiste (610,7 lg./schwarz)	58001-012.02	trim (610,7 lg./black)
4		Stift	9666-382.02	4x foot
8		S k a l a kpl. (Schrift:silberf.)	8075-086.01	scale assy (inscription:silver)
22		P r e o m a t R6	59410-503.01	preomat
29		A u s - T a s t e kpl.	8075-040	push button (off)
32		T a s t e kpl.	8075-039	5x push button
33		M o n o - T a s t e kpl.	8075-038	push button (mono)
77		Kontaktschieber kpl. (TA)	7417-634	switch slider (PU)
89		S c h i e b e w i d e r s t a n d (Balance)	59703-017.01 2x 100KΩ	KN 53017 (R115/116) potentiometer (balance)
134		Trimmer 4...20pF	19799-324.94	(C39) trimmer
135		Trimmer 10...40pF	19799-325.94	(C21/22/24) trimmer

Es entfallen: Pos. 5/23/43to be eliminated: pos. 5/23/43

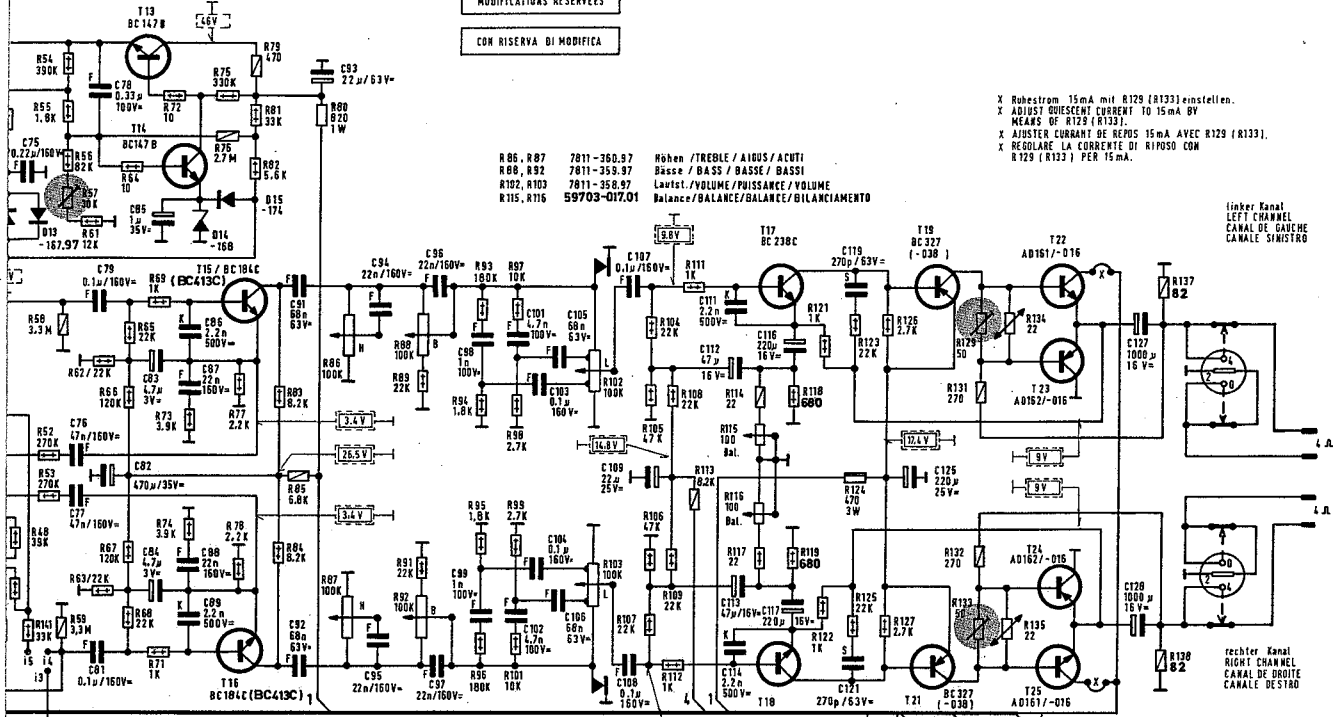
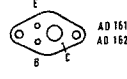
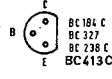
-*-

1107

1107



Änderungen vorbehalten
 ALTERATIONS RESERVED
 MODIFICATIONS RESERVES
 CON RISERVA DI MODIFICA



R 86, R 87 7811-350.97 Höhen / TREBLE / ALIUS / ACUTI
 R 88, R 92 7811-359.97 Bässe / BASS / BASSE / BASSI
 R 102, R 103 7811-358.97 Lautst. / VOLUME / PUISSANCE / VOLUME
 R 115, R 116 59703-017.01 Balance / BALANCE / BILANCIAMENTO

X Ruhestrom 15mA mit R129 (R133) einstellen.
 X ADJUST QUIESCENT CURRENT TO 15mA BY
 MEANS OF R129 (R133).
 X AJUSTER COURANT DE REPOS 15mA AVEC R129 (R133).
 X REGOLARE LA CORRENTE DI RIPOSO CON
 R129 (R133) PER 15mA.

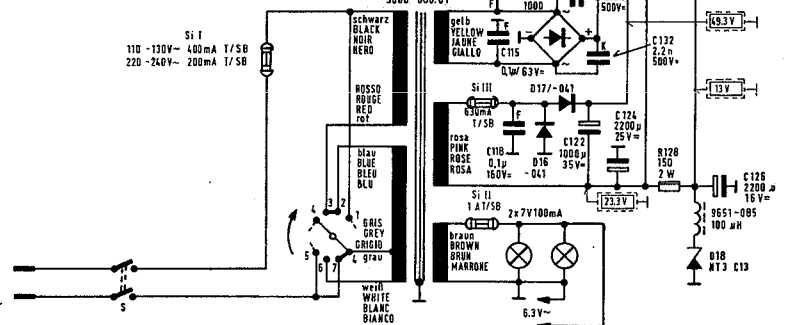
linker Kanal
 LEFT CHANNEL
 CANAL DE GAUCHE
 CANALE SINISTRO

rechter Kanal
 RIGHT CHANNEL
 CANAL DE DROITE
 CANALE DESTRO

Chassisplatte
 CHASSIS BOARD
 PLAQUE CHASSIS
 PIASTRA CHASSIS } 59310-036.00

Transistoren
 AND TRANSISTORS
 IODES ET TRANSISTORS } 9654-
 DIODES
 IN BRACKETS ()
 IRENTHESES ()

Netz
 MAINS
 SECTEUR
 RESE }
 110-240V~



- Glimmer Kondensator
- ELKO
- Styrolflex Kondensator
- Keram. Kondensator
- Folien Kondensator
- 1/8 W
- 1/3 W
- 1/2 W
- Drahtwiderstand

Leistungsaufnahme ohne Signal 11W
 bei Vollaussteuerung (2 x 6W, 1000Hz) 34W (JRM-Stereo)
 POWER CONSUMPTION APPROX 11W WITHOUT SIGNAL AT MAXIMUM
 LEVEL (2 x 6W, 1000Hz) 34W (FM-STEREO)
 CONSOMMATION ENV. : 11W SANS SIGNAL A MODULATION MAXIMALE
 (2 x 6W, 1000Hz) 34W (FM-STEREO)
 DISSIPAZIONE SENZA SEGNALE 11W A MASSIMO PILOTAGGIO
 (2 x 6W, 1000Hz) 34W (FM-STEREO)

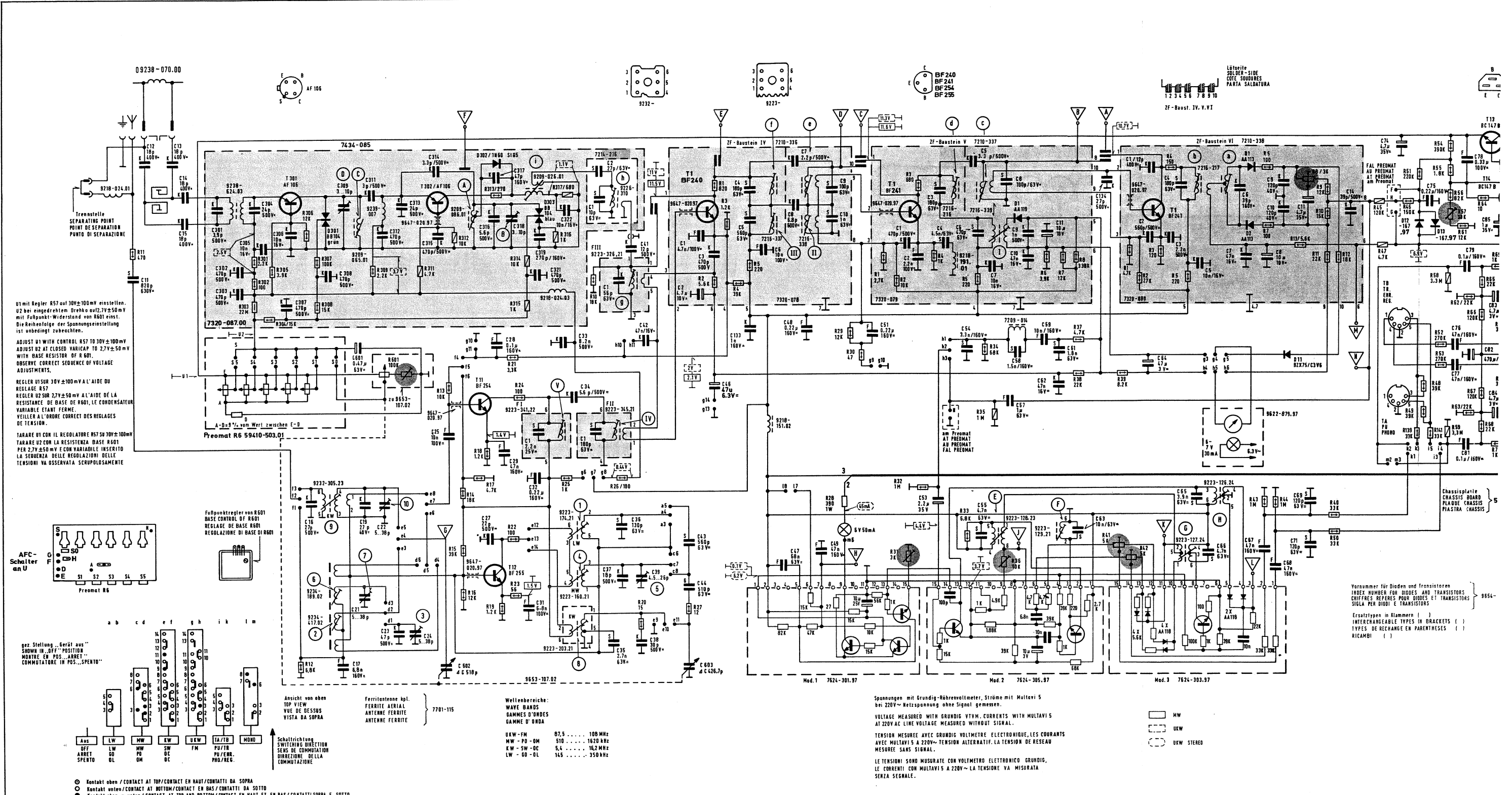
08075-906.06

AM-FM-Grundchassis RC 500 a

75,	76, 78, 82,	83, 85, 86,	91, 92,	94,	96,	98,	101, 102, 105,	107, 108,	111,	115, 116,	119, 123, 124, 125,	126,	127,
77, 79,	81,	84,	87,	88, 89,	93,	95,	97, 99,	103, 104, 106,	109,	112,	113, 114,	117, 118,	121, 122,
18,	52, 54, 57, 61, 63, 64,	67, 69, 72,	75,	77, 78,	83, 85,	86, 88,	89,	93, 97,	102,	104, 108, 111,	114,	118, 121, 123,	126,
19,	53, 55, 58, 62, 65, 68, 71, 73,	76,	78, 81,	84,	87,	91, 92,	95, 96, 99, 101,	103,	105, 109, 112,	115,	119, 122, 124,	127,	131,
51,	56, 59,	66,	74,	82,						116, 117,	125,	132, 133,	137,
													138,

GRUNDIG RTV 701a

1107



C	11, 12,	13, 14,	15,	301, 302, 304, 305,	306,	308,	309,	311, 312,	313,	316, 317,	318,	319,	322,	35, 36, 41, 39,	43,	44,	133,	47,	48, 49,	51,	53,	54, 55,	57, 58,	59,	61, 62,	63,	124,	64,	65,	66,	67, 68,	69,	71,	74,	75,	76, 78, 82,	83,						
R	11,	12,	13,	14,	15,	16,	17,	18,	19,	20,	21,	22,	23,	24,	25,	26,	27,	28, 29,	30,	31,	32,	33,	34,	35,	36,	37,	38,	39,	40,	41, 42,	43,	44,	45,	46,	47,	48,	49,	50,	51,	52, 54, 57, 61, 63, 64, 67, 68,	69,	70, 72, 73, 75, 77, 79, 81,	84,

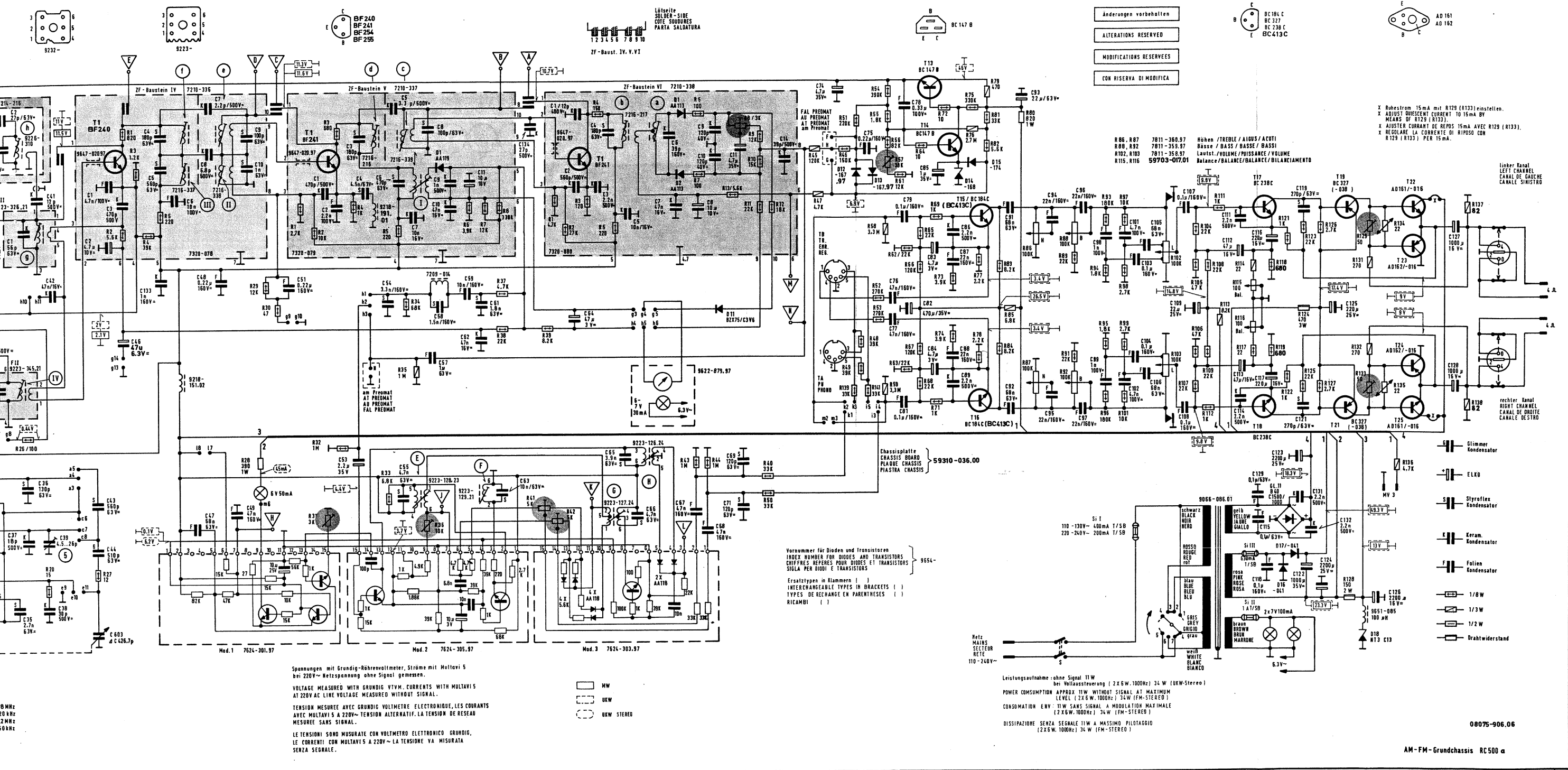
Kontakt oben / CONTACT AT TOP / CONTACT EN HAUT / CONTATTI DA SOPRA
 Kontakt unten / CONTACT AT BOTTOM / CONTACT EN BAS / CONTATTI DA SOTTO
 Kontakt oben u. unten / CONTACT AT TOP AND BOTTOM / CONTACT EN HAUT ET EN BAS / CONTATTI SOPRA E SOTTO

Wellenbereiche:
 WAVE BANDS
 GAMMES D'ORDRES
 GAMME D'ONDA

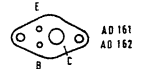
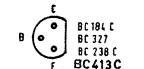
UKW - FM 87,5 108 MHz
 MW - PD - DM 510 1620 kHz
 LW - SW - DC 5,4 162 MHz
 LW - GO - DL 145 350 kHz

Spannungen mit Grundig-Röhrenvoltmeter, Ströme mit Multivi 5 bei 220V~ Netzspannung ohne Signal gemessen.
 VOLTAGE MEASURED WITH GRUNDIG VTM, CURRENTS WITH MULTIVI 5 AT 220V AC LINE VOLTAGE MEASURED WITHOUT SIGNAL.
 TENSION MESUREE AVEC GRUNDIG VOLTMETRE ELECTRONIQUE, LES COURANTS AVEC MULTIVI 5 A 220V~ TENSION ALTERNATIF, LA TENSION DE RESEAU MESUREE SANS SIGNAL.
 LE TENSIONI SONO MISURATE CON VOLTMETRO ELETTRONICO GRUNDIG, LE CORRENTI CON MULTIVI 5 A 220V~ LA TENSIONE VA MISURATA SENZA SEGNALE.

Ersetztypen in Klammern ()
 INTERCHANGEABLE TYPES IN BRACKETS ()
 TYPES DE RECHANGE EN PARENTHESES ()
 RICAMBI ()



Änderungen vorbehalten
 ALTERATIONS RESERVED
 MODIFICATIONS RESERVEES
 CON RISERVA DI MODIFICA



1. Ruhstrom 15 mA mit R129 (R133) einstellen.
 2. ADJUST QUIESCENT CURRENT TO 15 mA BY MEANS OF R129 (R133).
 3. AJUSTER COURANT DE REPOS 15 mA AVEC R129 (R133).
 4. REGOLARE LA CORRENTE DI RIPOSO CON R129 (R133) PER 15 mA.

R85, R87 7011-360.97 Höhen / TREBLE / ALTS / ACUTI
 R88, R92 7011-359.97 Bässe / BASS / BASSE / BASSI
 R102, R103 7011-358.97 Lautst. / VOLUME / PRISSANCE / VOLUME
 R115, R116 59703-017.01 Balance / BALANCE / BILANCIAMENTO

linker Kanal
 LEFT CHANNEL
 CANAL DE GAUCHE
 CANALE SINISTRO

rechter Kanal
 RIGHT CHANNEL
 CANAL DE DROITE
 CANALE DESTRO

Vorzeichen für Dioden und Transistoren
 INDEX NUMBER FOR DIODES AND TRANSISTORS
 CHIFFRES REPÈRES POUR DIODES ET TRANSISTORS
 SIGLA PER DIODI E TRANSISTORI

Ersatztypen in Klammern ()
 INTERCHANGEABLE TYPES IN BRACKETS ()
 TYPES DE RECHANGE EN PARENTHESES ()
 RICAMBI ()

Netz
 MAINS
 SECTION
 RESE

Leistungsaufnahme ohne Signal 11 W
 bei Vollaussteuerung (2 x 6 W, 1000 Hz) 34 W (DKW-Stereo)
 POWER CONSUMPTION APPROX 11 W WITHOUT SIGNAL AT MAXIMUM LEVEL (2 x 6 W, 1000 Hz) 34 W (FM-STEREO)
 CONSOMATION EN W: 11 W SANS SIGNAL A MODULATION MAXIMALE (2 x 6 W, 1000 Hz) 34 W (FM-STEREO)
 DISSIPAZIONE SENZA SEGNALE 11 W A MASSIMO PILEGGIO (2 x 6 W, 1000 Hz) 34 W (FM-STEREO)

80075-906.06

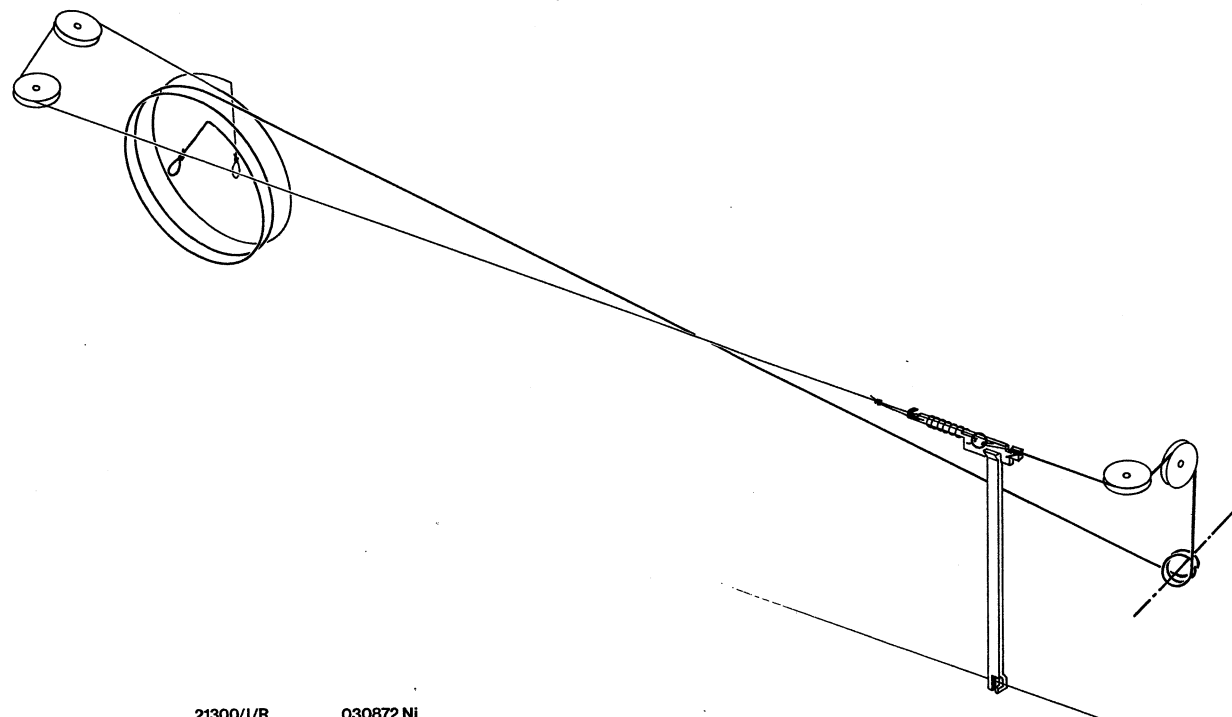
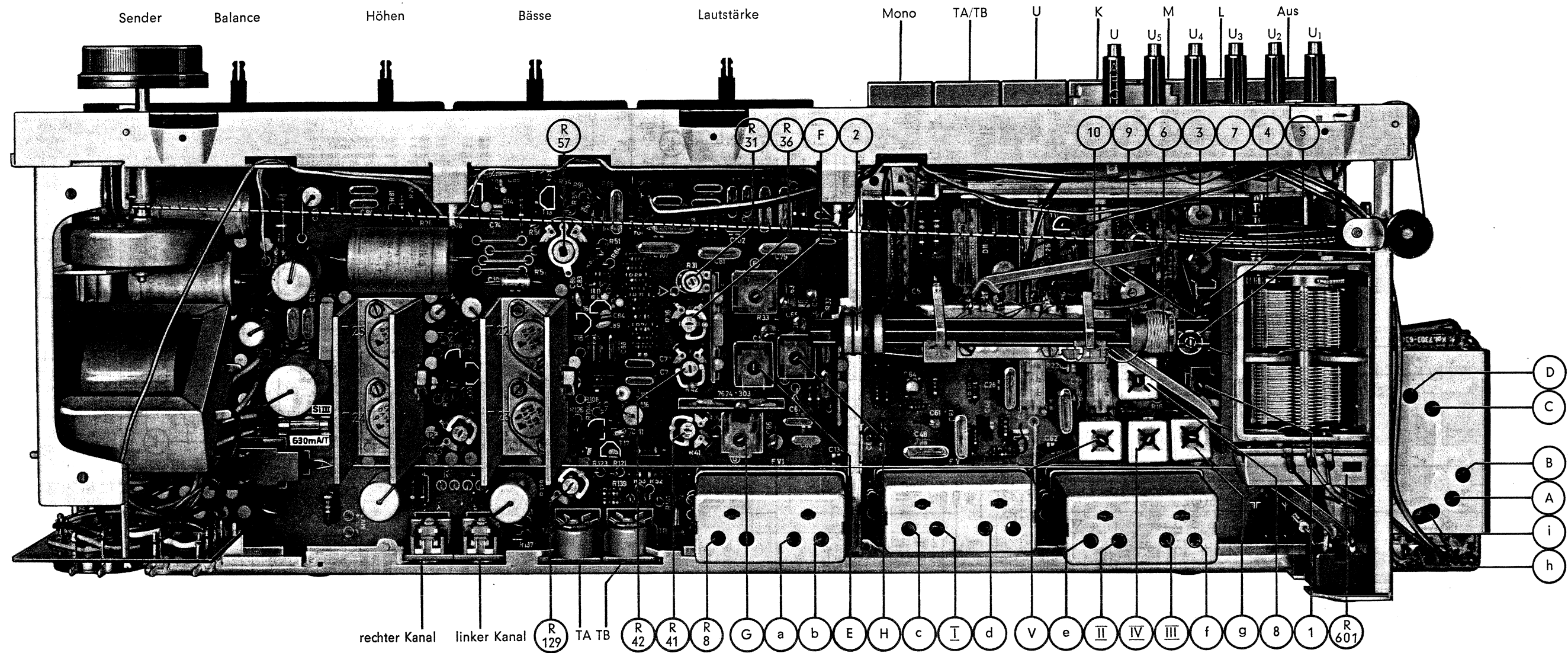
AM-FM-Grundchassis RC500 a

35, 36, 41, 39, 37, 42, 43, 44, 60, 60, 60, 60	46, 133, 47, 48, 49, 51, 53, 54, 55, 57, 58, 59, 62, 63, 134, 64, 65, 66, 67, 68, 69, 71	74, 75, 76, 78, 82, 77, 79, 81, 83, 84, 85, 86, 87, 88, 89, 91, 93, 92, 94, 95, 96, 98, 97, 99, 101, 103, 105, 102, 104, 106, 107, 109, 108, 111, 115, 116, 112, 125, 117, 121, 131, 132, 113, 114, 118, 119, 121, 123, 125, 126, 128, 129, 134, 136, 127, 132, 133, 135, 136, 137, 138
0, 26, 20, 27, 28, 29, 30, 31, 32, 33, 34, 35, 36, 37, 38, 39, 41, 42, 43, 44, 45, 46, 47, 48, 49, 51, 53, 54, 55, 57, 58, 59, 62, 63, 64, 65, 66, 67, 68, 69, 71, 74, 75, 76, 78, 82, 77, 79, 81, 83, 84, 85, 86, 87, 88, 89, 91, 93, 92, 94, 95, 96, 98, 97, 99, 101, 103, 105, 102, 104, 106, 107, 109, 108, 111, 115, 116, 112, 125, 117, 121, 131, 132, 113, 114, 118, 119, 121, 123, 125, 126, 128, 129, 134, 136, 127, 132, 133, 135, 136, 137, 138		



RTV 701a

Abgleich-Lageplan
ALIGNMENT SCHEME
PLAN DE REGLAGE
PIANO DI TARATURA



AM-FM-Seilzug

Textilseil ca. 1000 mm lang
 Stahlseil ca. 680 mm lang
 (Drehko eingedreht)

AM-FM-DRIVE CORD

Textile Cord, approx 1000 mm long
 Steel Cord, approx 680 mm long
 (variable capacitor closed)

ENTRAINEMENT AM-FM

Cable textile, env. 1000 mm de longueur
 Cable acier, env. 680 mm de longueur
 (condensateur variable fermé)

TRASMISSIONE AM-FM

Funicella in materiale tessile lunga circa 1000 mm
 Funicella in acciaio lunga circa 680 mm
 (condensatore variabile chiuso)

