

Stereophonic

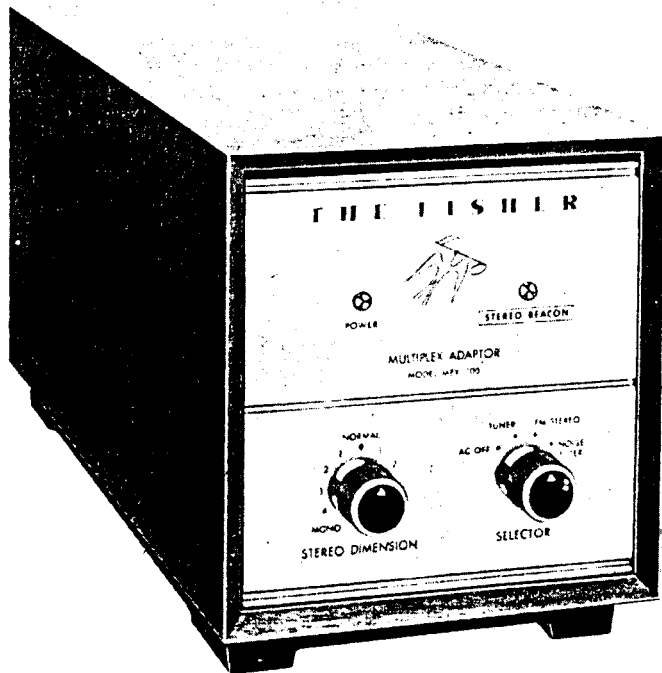
THE FISHER



MPX-100

SERVICE

MANUAL



MODEL MPX-100

CHASSIS SERIAL NUMBERS FROM 10001 TO 19999 INCLUSIVE

PRICE: \$1.00

FISHER RADIO CORPORATION • NEW YORK

Fisher
CHASSIS SERIAL NUMBERS FROM 10001 TO 19999 INCLUSIVE
THE FISHER MPX-100
Fisher

PARTS DESCRIPTION LIST

CAPACITORS

10% tolerance for all fixed capacitors, unless otherwise noted or marked GMV (guaranteed minimum value).

Symbol	Description	Part No.
C1	Ceramic, .005uf, 20%, 500V	C50089-1
C2	Ceramic, .02uf, 20%, 500V	C50089-5
C3	See Schematic	—
C4	Ceramic, 4uf, NPO, 1000V	C50070-36
C5	Mica, 6800uf, 5%, 100V	C50332-3
C6	Mylar, .022uf, 250V	C50197-49
C7	Ceramic, .001uf, 1000V	C50072-3
C8	Ceramic, .05uf, +80 — 20%, 100V	C50073-2
C9	Ceramic, .005uf, 20%, 500V	C50089-1
C10	Electrolytic, 1uf, 350V	C50283-3
C11	Mylar, .01uf, 250V	C50197-48
C12	Ceramic, .005uf, 20%, 500V	C50089-1
C13	Mylar, .0039uf, 250V	C50197-88
C14	Mylar, .0018uf, 250V	C50197-87
C15	Mica, 5100uf, 5%, 300V	C50332-1
C16	Electrolytic, 2uf, 70V	C721-142
C17	Mylar, .22uf, 250V	C50197-55
C18	Mica, 8200uf, 5%, 100V	C50332-2
C19	Ceramic, .01uf, 20%, 500V	C50089-3
C20	Mylar, .0039uf, 250V	C50197-88
C21, 22	Ceramic, .003uf, 1000V and Ceramic, .001uf, 1000V	C50183-2 C50072-3
C23	Mica, 5100uf, 5%, 300V	C50332-1
C24	Electrolytic, 1uf, 350V	C50283-3
C25	Ceramic, 1800uf, 1000V	C50072-23
C26	Mylar, .1uf, 250V	C50197-54
C27	Mica, 5100uf, 5%, 300V	C50332-1
C28	Mylar, .1uf, 250V	C50197-54
C29	Electrolytic, 25uf, 6V	C639-114
C30	Ceramic, 820uf, 1000V	C50072-7
C31	Mylar, .22uf, 250V	C50197-58
C32	Ceramic, 680uf, 1000V	C50072-2
C33	Electrolytic, 4 Section: A — 10uf, 300V B — 10uf, 300V C — 40uf, 350V D — 40uf, 350V	C50180-25
C34, 35	Ceramic, 100uf, N1500, 1000V	C50070-6
C36	Ceramic, 16uf, N75, 1000V	C50070-21
C37	Ceramic, 100uf, N1500, 1000V	C50070-6
C38	Ceramic, 16uf, N75, 1000V	C50070-21
C39	Ceramic, 100uf, N1500, 100V	C50070-6
C40	Electrolytic, 25uf, 6V	C639-114
C41, 42	Mylar, .1uf, 250V	C50197-54
C43	Electrolytic, 25uf, 6V	C639-114

RESISTORS AND POTENTIOMETERS

In ohms, 10% tolerance, 1/2 Watt, unless otherwise noted. K=Kilohm, M=Megohm.

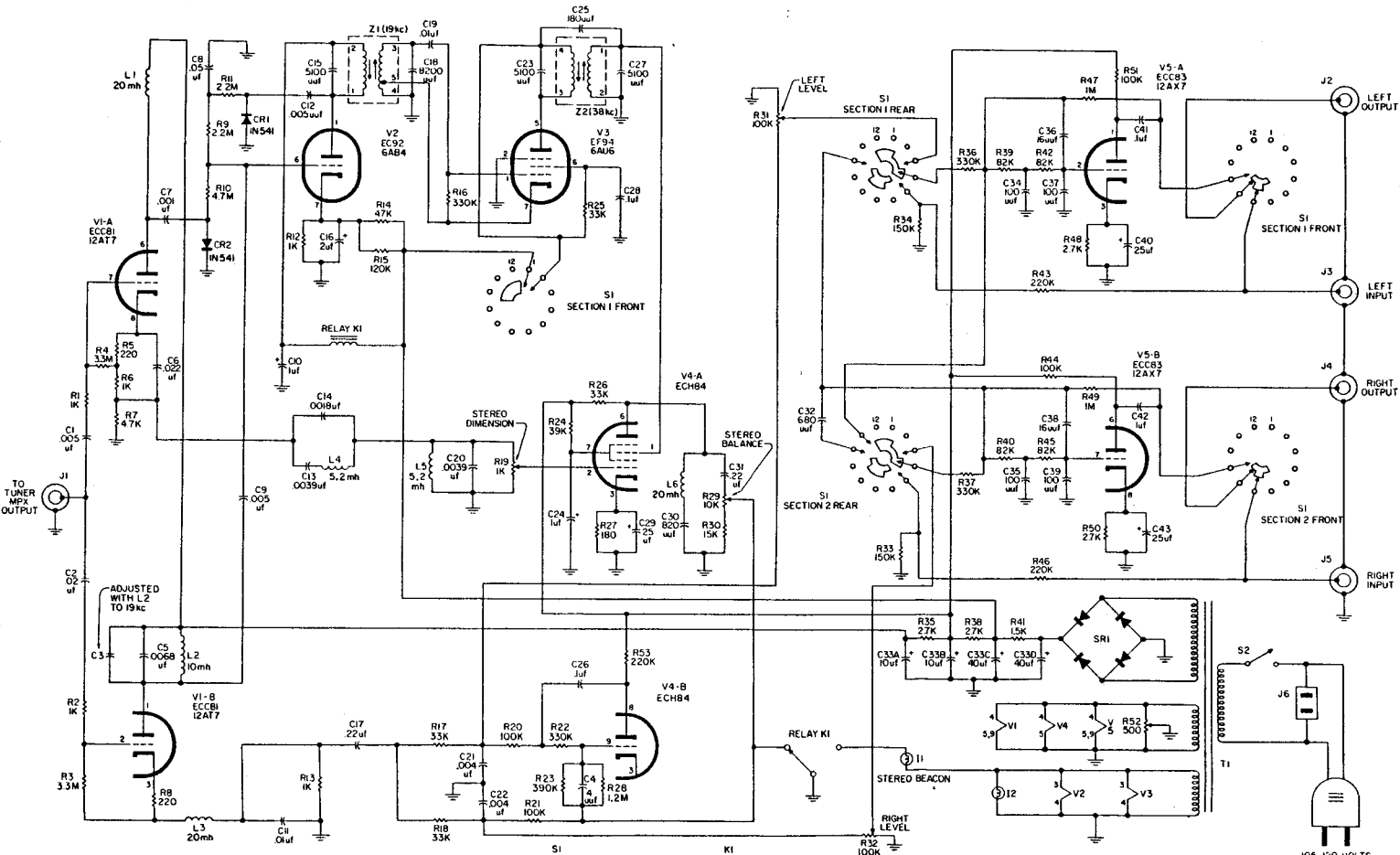
Symbol	Description	Part No.
R1, 2	Comp. 1K	RC20BF102K
R3, 4	Comp. 3.3M	RC20BF335K
R5	Comp. 220	RC20BF221K
R6	Comp. 1K	RC20BF102K

R7	Comp. 4.7K	RC20BF472K
R8	Comp. 220	RC20BF221K
R9	Comp. 2.2M	RC20BF225K
R10	Dep. Car. 4.7M, 5%, 1/2 W	R33DC475J
R11	Comp. 2.2M	RC20BF225K
R12, 13	Comp. 1K	RC20BF102K
R14	Comp. 47K, 2W	RC40BF473K
R15	Comp. 120K	RC20BF124K
R16	Comp. 330K	RC20BF334K
R17, 18	Dep. Car. 33K, 5%, 1/2 W	R33DC333J
R19	Potentiometer, 1K, Stereo Dim.	R50160-105
R20, 21	Dep. Car. 100K, 5%, 1/2 W	R33DC104J
R22	Dep. Car. 330K, 5%, 1/2 W	R33DC334J
R23	Comp. 390K, 5%	RC20BF394J
R24	Comp. 39K	RC20BF393K
R25, 26	Dep. Car. 33K, 5%, 1/2 W	R33DC333J
R27	Comp. 180	RC20BF181K
R28	Comp. 1.2M	RC20BF125K
R29	Potentiometer, 10K, Stereo Bal.	R50103-5
R30	Comp. 15K	RC20BF153K
R31, 32	Potentiometer, 100K, Left, Right Level	R50103-8
R33, 34	Dep. Car. 150K, 5%, 1/2 W	R33DC154J
R35	Comp. 2.7K, 1W	RC30BF292K
R36, 37	Dep. Car. 330K, 5%, 1/2 W	R33DC334J
R38	Comp. 2.75K, 1W	RC30BF272K
R39, 40	Comp. 82K	RC20BF823K
R41	Comp. 1.5K, 1W	RC30BF152K
R42	Comp. 82K	RC20BF823K
R43	Dep. Car. 220K, 5%, 1/2 W	R33DC224J
R44	Comp. 100K	RC20BF104K
R45	Comp. 82K	RC20BF823K
R46	Dep. Car. 220K, 5%, 1/2 W	R33DC224J
R47	Dep. Car. 1M, 5%, 1/2 W	R33DC105J
R48	Comp. 2.7K	RC20BF272K
R49	Dep. Car. 1M, 5%, 1/2 W	R33DC105J
R50	Comp. 2.7K	RC20BF272K
R51	Comp. 100K	RC20BF104K
R52	Potentiometer, Wirewound, 500	R516-128
R53	Dep. Car. 220K, 5%, 1/2 W	R33DC224J

MISCELLANEOUS

Symbol	Description	Part No.
I1, 2	Bulb #47	I5009-1
K1	Relay	K50276-1
L1	Coil, 20 M.H., 5%	L50334-2
L2	Coil, 10 M.H., 5%	L50334-3
L3	Coil, 20 M.H., 5%	L50334-2
L4, 5	Coil, 5.2 M.H., 5%	L50334-1
L6	Coil, 20 M.H., 5%	L50334-4
S1	Switch, selector	S925-122
S2	Switch, Power	Part of S1
SR1	Selenium Rectifier	SR50253-2
T1	Transformer, Power	T925-115
Z1	Transformer, 19Kc	ZZ50210-12
Z2	Transformer, 38Kc	ZZ50210-11
—	Dress Panel, Screened	AS925-108
—	Knob	E50224-1
—	Jewel, Red	I50162-1
—	Jewel, Green	I50162-4

SCHEMATIC DIAGRAM



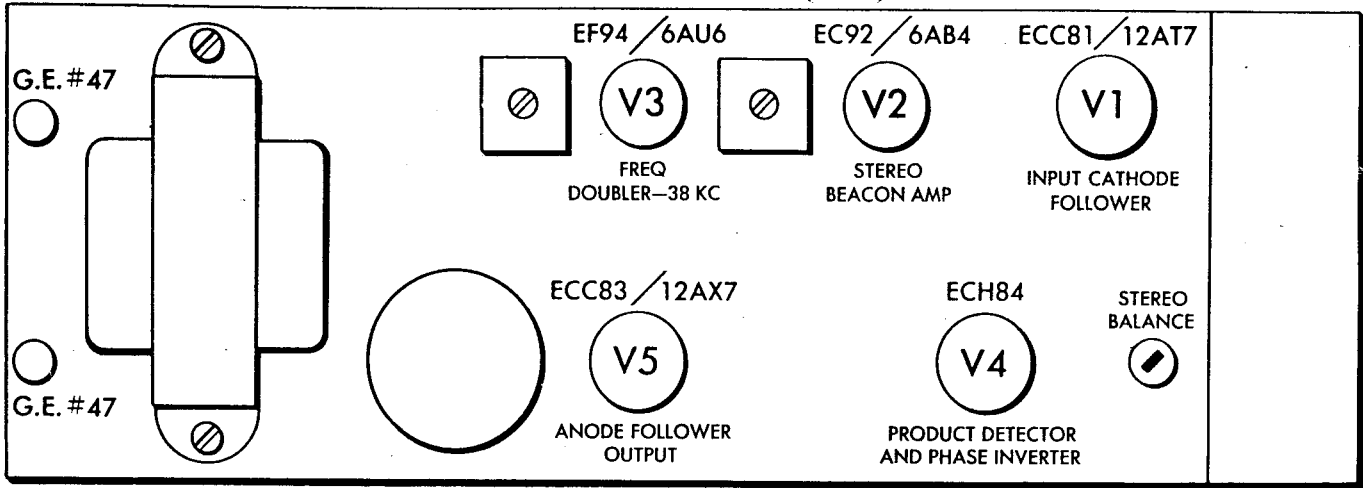
SCHEMATIC FOR MPX-100
SERIAL NO. 10000 - 19999

SELECTOR SWITCH POSITIONS
AC-OFF (SHOWN)
TUNER
FM-STEREO
NOISE-FILTER

RELAY SWITCH POSITIONS
MONAURAL (SHOWN)
STEREO

105-120 VOLTS
50-60 CYCLES AC

TUBE LAYOUT



AW1904

SERVICE NOTES



FISHER RADIO CORPORATION • NEW YORK



1925-11-

PRINTED IN U.S.A.

ENTIRE CONTENTS COPYRIGHT © FISHER RADIO CORPORATION

51704-92