

Service Manual

Stereo Integrated Amplifier

SU-7700

(XA), (XAL), (XG), (XGH),
(XSD), (XSW), (XE), (XGF)

The cabinet color and design shall be subject to change dependent on the destination

The model SU-7700 [XA] is available in Asia, Latin America, Middle East and Africa.

The model SU-7700 [XAL] is available in Australia only.

The model SU-7700 [XG] is available in European only.

The model SU-7700 [XGH] is available in Holland only.

The model SU-7700 [XSD] is available in Scandinavia only.

The model SU-7700 [XSW] is available in Switzerland only.

The model SU-7700 [XE] is available in England only.

The model SU-7700 [XGF] is available in France only.

TECHNICAL SPECIFICATIONS (IHF) Specifications are subject to change without notice for further improvement.

AMPLIFIER SECTION

1kHz continuous power:	both channels driven	70W + 70W (4Ω) 53W + 53W (8Ω)
20Hz ~ 20kHz continuous power:	both channels driven	60W + 60W (4Ω) 50W + 50W (8Ω)
Power bandwidth (both channels driven at 8Ω):	8Hz ~ 55kHz, -3dB	
Total harmonic distortion:	0.08% at rated power (20Hz ~ 20kHz) 0.035% at half power (20Hz ~ 20kHz)	
Intermodulation distortion:	0.08% (60Hz : 7 kHz = 4 : 1, SMPTE)	
Residual hum and noise:	0.6mV	
Damping factor:	25 (4Ω), 50 (8Ω)	
Input sensitivity and impedance:		
PHONO	2.5mV/47kΩ	
TUNER, AUX	150mV/47kΩ	
PLAYBACK (TAPE 1)	180mV/47kΩ	
PLAYBACK (TAPE 2)	150mV/47kΩ	
REC/PLAY (TAPE 1) input	180mV/47kΩ	
PHONO maximum input voltage (1kHz, RMS):	150mV	
Signal to noise ratio (IHF, A):	PHONO 78dB TUNER, AUX 97dB	

Frequency response:	PHONO RIAA standard curve ±0.2dB TUNER, AUX 5Hz ~ 80kHz, +0dB, -3dB 20Hz ~ 20kHz, ±0.5dB 50Hz, +12dB ~ -12dB 20kHz, +12dB ~ -12dB
Tone controls:	BASS 30Hz, -12dB/oct. TREBLE 8kHz, -6dB/oct. 100Hz, +8dB
Equalizer subsonic filter:	8kHz, -6dB/oct.
High filter:	100Hz, +8dB
Loudness control (volume at -30dB):	
Output voltage and impedance:	REC OUT (TAPE 1, 2) 150mV/1.2kΩ REC/PLAY (TAPE 1) output 30mV/82kΩ MAIN or REMOTE 4 ~ 16Ω MAIN + REMOTE 8 ~ 16Ω
Load impedance:	

GENERAL

Power consumption:	450W
Power supply (50Hz/60Hz):	110V/120V/220V/240V 240V only (Set for Australia)
Dimensions (W x H x D):	410 x 139 x 334mm (16-5/32" x 5-15/32" x 13-5/32")
Weight:	9.7kg (21.4lb)

TECHNISCHE DATEN (DIN 45 500) Spezifikationen können infolge von Verbesserungen ohne Ankündigung geändert werden.

VERSTÄRKERTEIL

RMS-Dauerleistung bei 1kHz:	beide Kanäle zusammen angesteuert	2 x 70W (4Ω) 2 x 53W (8Ω)
RMS-Dauerleistung bei 20Hz ~ 20kHz:	beide Kanäle zusammen angesteuert	2 x 60W (4Ω) 2 x 50W (8Ω)
RMS-Dauerleistung bei 40Hz ~ 16kHz:	beide Kanäle zusammen angesteuert	2 x 60W (4Ω) 2 x 50W (8Ω)
Leistungsbandbreite (beide Kanäle zusammen angesteuert bei 4Ω):	8Hz ~ 55kHz, -3dB	
Harmonische Verzerrungen:		
Nennausgangsleistung bei 1kHz, 4Ω	0.08%	
Nennausgangsleistung bei 40Hz ~ 16,000Hz, 4Ω	0.08%	
-26dB Nennausgangsleistung bei 1kHz, 4Ω	0.1%	
50mW Ausgangsleistung bei 1kHz, 4Ω	0.15%	
Intermodulationsverzerrung:		
Nennausgangsleistung bei 250Hz : 8,000Hz = 4 : 1, 4Ω	0.08%	
Hum & noise:	0.6mV	
Dämpfungsfaktor:	25 (4Ω), 50 (8Ω)	
Eingangsempfindlichkeit & Impedanz:		
PHONO	2.5mV/47kΩ	
TUNER, AUX	150mV/47kΩ	
PLAYBACK (TAPE 1)	180mV/47kΩ	
PLAYBACK (TAPE 2)	150mV/47kΩ	
REC/PLAY (TAPE 1) Eing.	180mV/47kΩ	
PHONO Maximale Eingangsspannungen (1kHz, RMS)	150mV	

Fremdspannungsabstand:		
Nennleistung	PHONO 63dB TUNER, AUX 83dB	
-26dB Nennausgangsleistung	PHONO 55dB TUNER, AUX 58dB	
50mW Ausgangsleistung	PHONO, TUNER, AUX 53dB	
Frequenzgang:	5Hz ~ 80kHz, +0dB, -3dB 10Hz ~ 40kHz, +0dB, -1dB 50Hz, +12dB bis -12dB 20kHz, +12dB bis -12dB	
Klangregler:	BÄSSE (BASS) 30Hz, -12dB/oct. HÖHEN (TREBLE) 8kHz, -6dB/oct.	
Entzerrungs Unterschalifilter:	100Hz, +8dB	
Höhenfilter (HIGH):	8kHz, -6dB/oct.	
Gehörliche Lautstärke (Lautstärke -30dB):	100Hz, +8dB	
Ausgangsspannungen:	REC OUT (TAPE 1, 2) 150mV/1.2kΩ REC/PLAY (TAPE 1) Aufnahme 30mV/82kΩ	
Kopfhörerpegel & Ausgangsimpedanz:	400mV/330Ω	
Ausgangsimpedanz:	MAIN oder REMOTE 4 ~ 16Ω MAIN und REMOTE 8 ~ 16Ω	
Kanaltrennung:	±1.5dB	
Kanalabweichung:	50dB	

ALLGEMEINE DATEN

Leistungsaufnahme:	450W
Netzspannung (50Hz/60Hz):	110V/120V/220V/240V
Abmessungen (B x H x T):	410 x 139 x 334 mm
Gewicht:	9,7kg

CARACTERISTIQUES TECHNIQUES (IHF) Sujet à changement sans préavis.

PARTIE AMPLIFICATEUR

1kHz, puissance continue: total 2 canaux 70W + 70W (4Ω)
53W + 53W (8Ω)

20Hz ~ 20kHz, puissance continue: total 2 canaux 60W + 60W (4Ω)
50W + 50W (8Ω)

Largeur de bande de puissance: total 2 canaux 8Ω
8Hz ~ 55 kHz, -3dB

Distorsion harmonique totale:
à la puissance nominale (20Hz ~ 20kHz) 0.08%
à demi-puissance (20Hz ~ 20kHz) 0.035%
à demi-puissance (1kHz) 0.01%

Distorsion par intermodulation:
0.08% (60Hz : 7 kHz = 4 : 1, SMPTE)

Tension résiduelle de bruit: 0.6mV
Facteur d'amortissement: 25 (4Ω), 50 (8Ω)

Sensibilité et impédance d'entrée:
PHONO 2.5mV/47kΩ
TUNER, AUX 150mV/47kΩ

Magnétophone 1. LECTURE 180mV/47kΩ
Magnétophone 2. LECTURE 150mV/47kΩ

Magnétophone 1. REC/PLAY 180mV/47kΩ
Tension max. d'entrée PHONO (1kHz, eff.): 150mV

Rapport S/B (IHF, A): PHONO 78dB
TUNER, AUX 97dB

Courbe de réponse: PHONO norme RIAA ±0.2dB
TUNER, AUX 5Hz ~ 80kHz +0dB, -3dB
20Hz ~ 20kHz, ±0.5dB

Commandes de tonalité: Grave (BASS) 50Hz, +12dB à -12dB
Aigu (TREBLE) 20kHz, +12dB à -12dB

Filtrage intra acoustique compensateur: 30Hz, -12dB/oct.
Filtre Aigu (HIGH): 8kHz, -6dB/oct.

Correction physiologique (Volume à -30dB) 100Hz, +8dB
Tension de sortie: Magnétophone 1, 2, Enregistrement 150mV/1.2kΩ

Magnétophone 1, REC/PLAY 30mV/82kΩ
Impédance de charge: PRINCIPAL ou ELOIGNE 4 à 16Ω

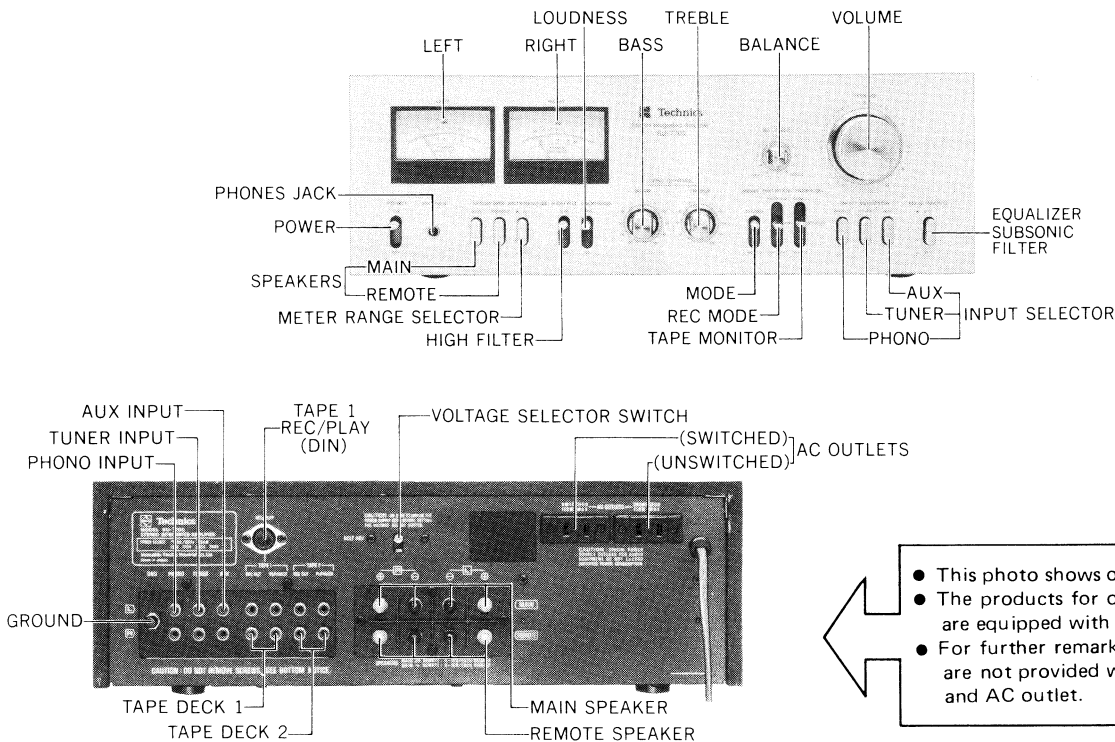
PRINCIPAL + ELOIGNE 8 à 16Ω

GENERALITES

Consommation: 450W
Alimentation (50Hz/60Hz): 110V/120V/220V/240V

Dimensions (L x H x P): 410 x 139 x 334mm
Poids: 9.7kg

LOCATION OF CONTROLS



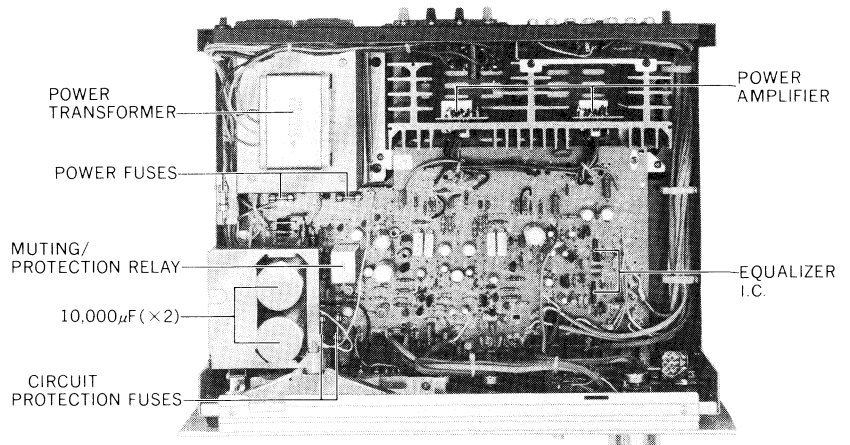
- This photo shows only the products for [XA].
- The products for other destinations except [XA] are equipped with AC outlet.
- For further remark, the products for [XAL] are not provided with voltage selector and AC outlet.

NOTE:

The unit is provided with the speaker circuit protection fuses at the right and left channels respectively.

The fuse is to prevent the power transistor from destruction, should the speaker terminals be short-circuited.

Accordingly, if the unit fails to function upon completion of the speaker connections, check the speaker protection fuses first of all for possible blowing.



■ TO REMOVE CABINET

1. Remove four (4) cabinet-mounting screws, nos. ① ~ ④ as shown in fig. 1.
2. Remove cabinet from chassis in arrow direction 1 to 2, as shown in fig. 1.
3. To reassemble, reverse above procedure.

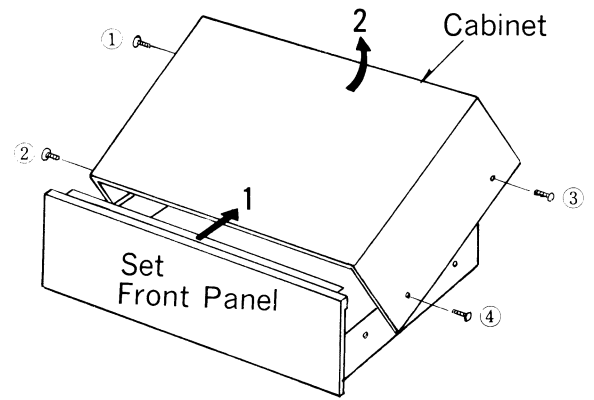


Fig. 1

■ TO REMOVE CHASSIS

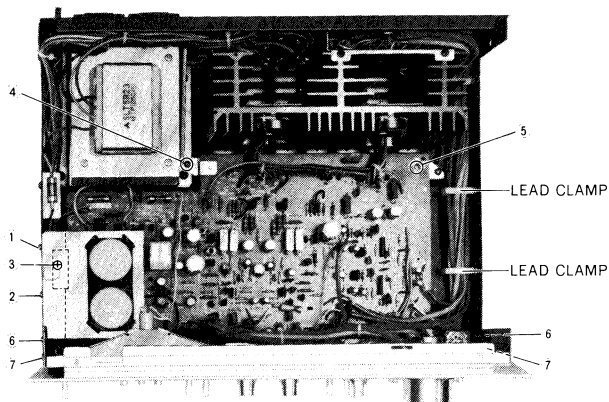


Fig. 2

1. Remove cabinet from chassis. (Refer to "To remove cabinet").
2. Remove lead wire from lead clamps. (Refer to Fig. 2).
3. Remove two (2) electrolytic capacitor-bracket-mounting screws. (Refer to Fig. 2: ① and ②).
4. Remove bracket of electrolytic capacitors.
5. Remove a screw (Refer to Fig. 2: ③) and printed circuit board-metal clamp.

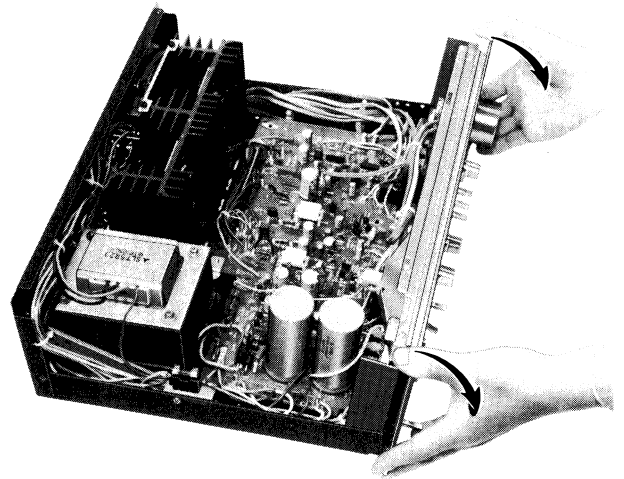


Fig. 3

6. Remove two (2) printed circuit board-mounting screws. (Refer to Fig. 2: ④ and ⑤)
7. Remove four (4) panel-mounting screws. (Refer to Fig. 2: ⑥ and ⑦, left and right side.)
8. As photo in Fig. 3, hold the panel at its side ends and push it downward tilting slightly its top part to the forward direction.
9. Remove the front panel from the chassis. (Fig. 4 to Fig. 5).
10. Set the printed circuit board on the chassis as indicated in Fig. 6.
11. The front panel can be reset in the reverse sequence.
12. Mount the lever switch bracket inside the chassis prior to resetting the front panel. (Fig. 6)

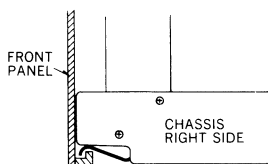


Fig. 4

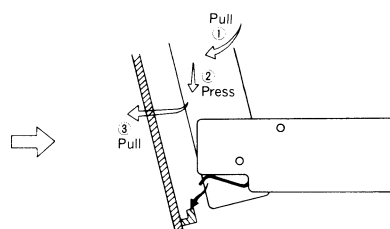


Fig. 5

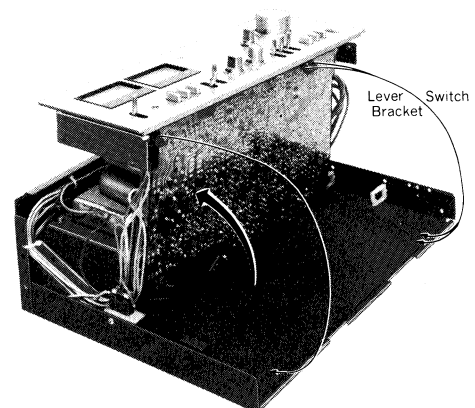


Fig. 6

■ ALIGNMENT INSTRUCTIONS

- When the power transistor is replaced, be sure to apply silicone compound (or equivalent thermal diffusion agent) onto the mica plate, and at the same time confirm the idling current of the power transistor. (measure voltage across the emitter resistance)

Ⓐ For adjustment with DC voltmeter

- Turn the speaker switch "OFF".
- Connect the DC voltmeter as in Fig. 7 of the adjusting spot diagram.
- If the reading is under 25mV approximately several minutes after turning ON the power supply, the circuit is "OK". On the other hand, if the reading is over 25mV, cut off the lead wire for **L** in the case of left channel (The lead wire for **R** in the case of right channel).
- Should the reading not fall under 25mV even when the lead wire has been cut off, there is something wrong with the circuit, and therefore, check the power source circuit or main amplifier circuit.

NOTE: When cutting off the lead wire, cut off the same at the root.

Ⓑ Current should be checked only when adjustment is made with a tester. (measuring instrument incapable of measuring voltage in mV unit).

- Turn OFF the power supply for the set.
- Connect the ammeter as shown in Fig. 9.
- After ensuring that the ammeter will not come off, turn ON the power supply.
- If the reading is under 75mA after several minutes (But, when nothing resistance of internal resistor by ammeter) the circuit is "OK". If over 75mA, cut off the lead wire for **L** in the case of left channel (The lead wire for **R** in the case of right channel).
- If the reading does not fall under 75mA, there is something wrong with the circuit.

NOTE: The adjustment may be made either by Ⓐ or by Ⓑ method. (We recommend the method Ⓐ where possible). Figs. 8 and 9 are related to the case of left channel.

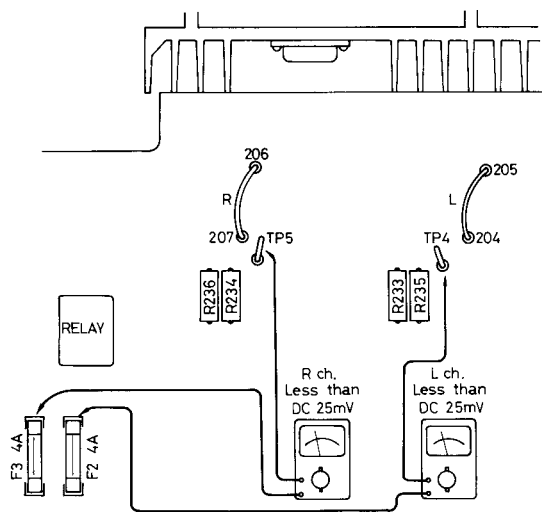
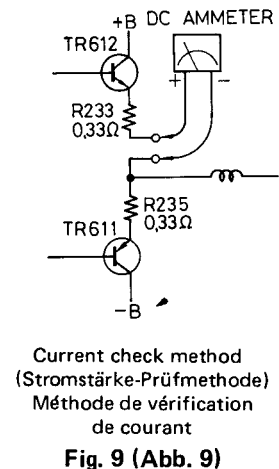
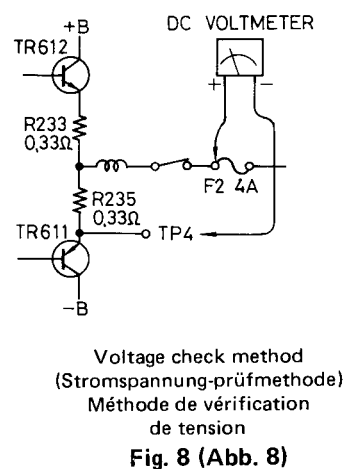


Fig. 7 (Abb. 7)



■ ABGLEICHANWEISUNGEN

- Wenn der Netztransistor ersetzt wird, ist zu beachten, daß eine Siliziumverbindung (oder ähnliches Thermomodiffusionsmittel) auf die Glimmerplatte gegeben wird, und zur gleichen Zeit der Blindstrom des Netztransistors festgestellt wird.. (Die Spannung über den Emitterwiderstand messen.)

Ⓐ Zum Justieren mit dem Gleichstrom-Voltmeter

- Drehen Sie den Lautsprecherschalter auf "OFF".
- Schließen Sie den Gleichstrom-Voltmeter an, wie in Abb. 7 des Justierpunkte-Diagramms gezeigt.
- Falls die Anzeige weniger als ca. 25 mV beträgt, so ist die Schaltung in Ordnung. Falls aber die Anzeige mehr als 25 mV beträgt, schneiden Sie den Leitungsdraht für **L** im Falle des linken Kanals weg (oder den Leitungsdraht für **R** im Falle des rechten Kanals).
- Falls die Anzeige auch nach Unterbrechen des Leitungsdrahtes nicht unter 25 mV fällt, so ist die Schaltung nicht in Ordnung, und die Stromquellenschaltung und die Hauptverstärkerschaltung müssen überprüft werden.

ANMERKUNG: Falls das Wegschneiden des Leitungsdrahtes nötig ist, schneiden Sie diesen nahe am Anschlußpunkt weg.

Ⓑ Die Stromstärke sollte nur geprüft werden, wenn die Justierung mit einem Prüfgerät vorgenommen wird. (Mit dem Meßinstrument kann die Spannung nicht in mV gemessen werden.)

1. Schalten Sie die Stromzufuhr zum Gerät aus.
2. Schließen Sie das Ammeter an, wie in Abb. 9 gezeigt.
3. Nachdem Sie sich vergewissert haben, daß das Ammeter solide befestigt ist, schalten Sie die Stromzufuhr ein.
4. Falls die Anzeige einige Minuten nach dem Einschalten weniger als 75 mA beträgt, so ist die Schaltung in Ordnung. Liegt die Anzeige über 75 mA, schneiden Sie den Leitungsdraht für **L** im Falle des linken Kanals weg. (oder den Leitungsdraht für **R** im Falle des rechten Kanals).
5. Falls die Anzeige auch dann nicht unter 75 mA fällt, so ist die Schaltung defekt.

ANMERKUNG: Die Justierung kann entweder nach Methode Ⓐ oder Ⓑ vorgenommen werden. (Wo möglich, empfehlen wir Methode Ⓐ). Die Abbildungen 8 und 9 beziehen sich auf den linken kanal.

■ INSTRUCTIONS D'ALIGNEMENT

• Lorsque le transistor de puissance est remplacé, s'assurer d'appliquer le composé de silicone (ou un agent de diffusion thermique équivalent) sur la plaque de mica et confirmer en même temps le courant déwatté du transistor de puissance. (Mesurer la tension à travers la résistance de l'émetteur).

Ⓐ Pour la mise au point avec un voltmètre C.C.

1. Tourner le commutateur de haut-parleur sur "OFF".
2. Connecter le voltmètre C.C. comme dans la Fig. 7 du schéma des endroits de vérification.
3. Si la lecture est approximativement inférieure à 25 mV plusieurs minutes après la mise en marche de l'alimentation, le circuit fonctionne correctement. Par contre, si la lecture est au-delà de 25 mV, couper le fil de jonction pour **L** dans le cas du canal Gauche [L], (le fil de jonction pour **R**, dans le cas du canal Droite [R]).
4. Si la lecture ne descends pas au-dessous de 25 mV même lorsque le fil de jonction a été coupé, cela signifie qu'il y a quelque chose d'incorrect dans le circuit et par conséquent, il sera nécessaire de vérifier le circuit d'alimentation ou le circuit d'amplification principal.

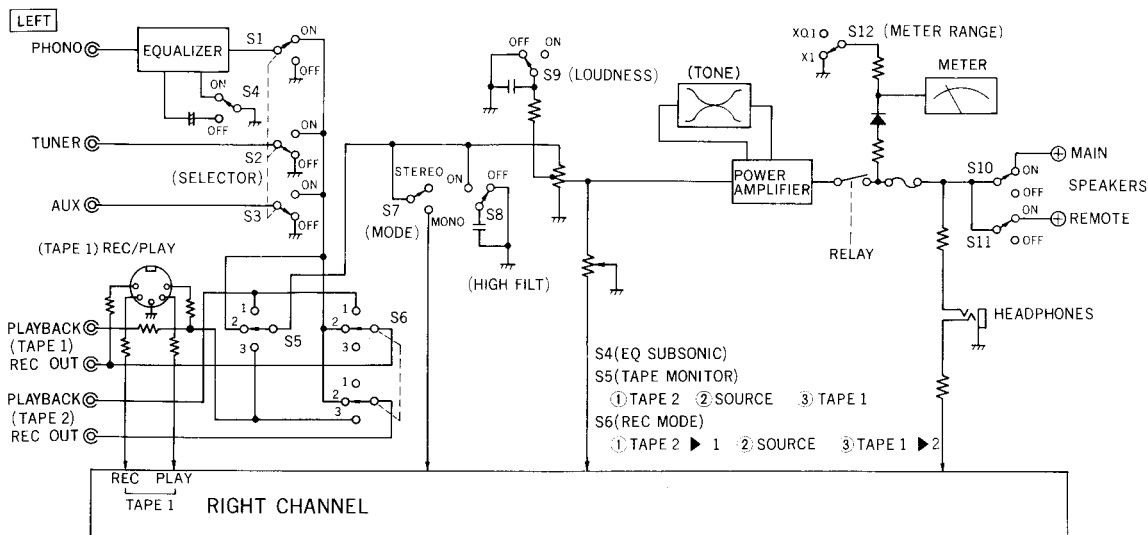
REMARQUE: Lorsqu'on coupe le fil de jonction, le couper à l'extrémité de sa racine.

Ⓑ Le courant ne devra être vérifié seulement que lorsque la mise au point est faite avec un appareil contrôleur. (Appareil de mesure incapable d'une tension de mesure dans un appareillage de mV).

1. Couper l'alimentation de l'appareillage.
2. Brancher l'ampèremètre, comme il est montré à la Fig. 9.
3. Après s'être assuré que l'ampèremètre n'est pas débranché, mettre en marche l'alimentation.
4. Si la lecture est inférieure à 75 mA après plusieurs minutes, le circuit fonctionne correctement. Si par contre la lecture va au-delà de 75 mA, couper le fil de jonction pour **L** dans le cas du canal Gauche [L], (le fil de jonction pour **R**, dans le cas du canal Droite [R]).
5. Si la lecture ne descends pas au-dessous de 75 mA, cela signifie qu'il y a quelque chose de défectueux dans le circuit.

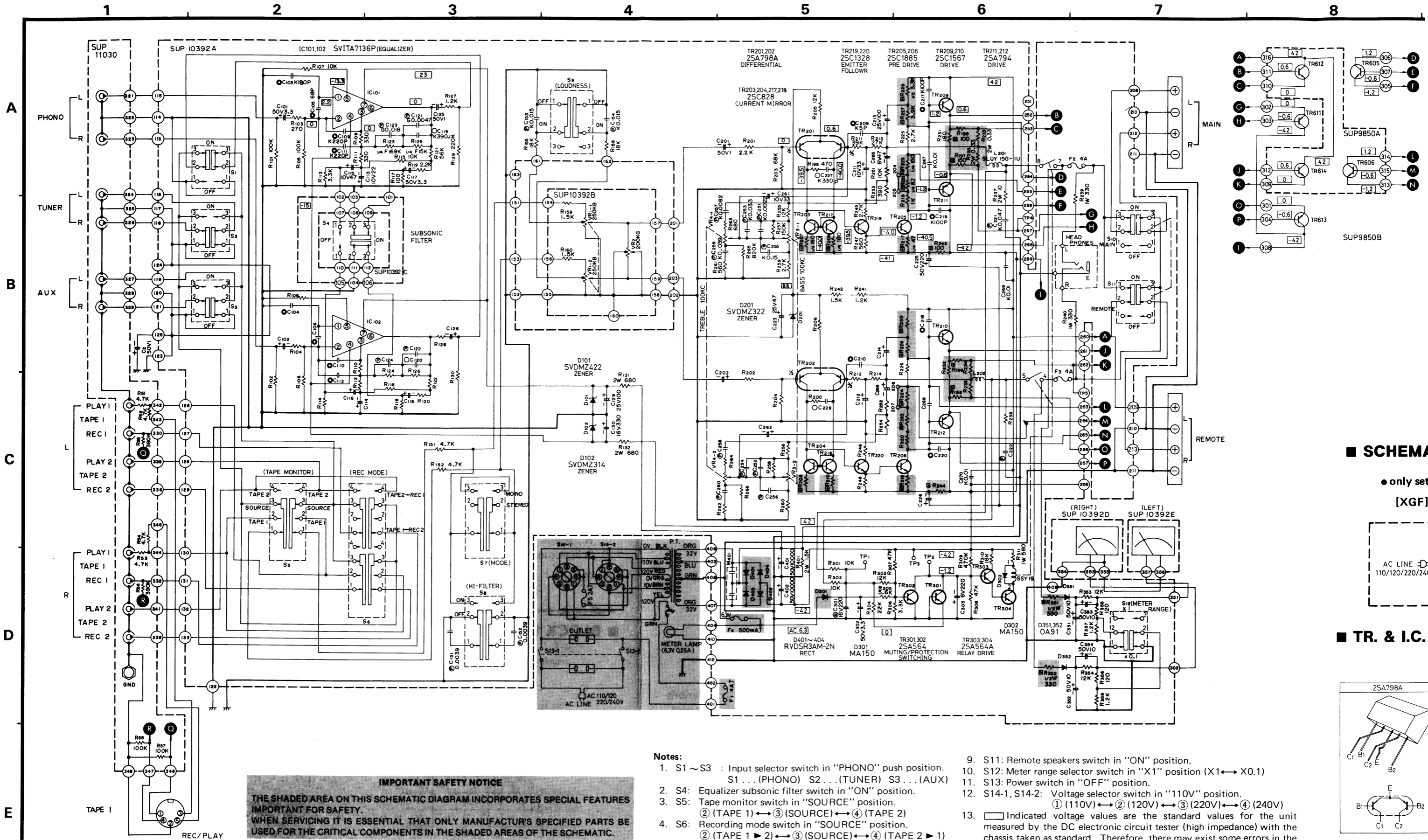
REMARQUE: La mise au point doit être faite soit avec la méthode Ⓐ, soit avec la méthode Ⓑ. (Si c'est possible, nous recommandons la méthode Ⓐ). Les Figures 8 et 9 se rapportent au cas du canal Gauche [L].

■ BLOCK DIAGRAM



SU-7700 5

Schematic Diagram..... Model SU-7700



IMPORTANT SAFETY NOTICE
 THE SHADED AREA ON THIS SCHEMATIC DIAGRAM INCORPORATES SPECIAL FEATURES IMPORTANT FOR SAFETY. WHEN SERVICING IT IS ESSENTIAL THAT ONLY MANUFACTURER'S SPECIFIED PARTS BE USED FOR THE CRITICAL COMPONENTS IN THE SHADED AREAS OF THE SCHEMATIC.

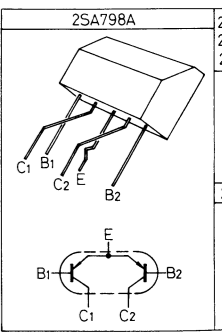
Notes:

- S1 ~ S3 : Input selector switch in "PHONO" push position.
 S1 ... (PHONO) S2 ... (TUNER) S3 ... (AUX)
- S4: Equalizer subsonic filter switch in "ON" position.
- S5: Tape monitor switch in "SOURCE" position.
 ② (TAPE 1) ↔ ③ (SOURCE) ↔ ④ (TAPE 2)
- S6: Recording mode switch in "SOURCE" position.
 ② (TAPE 1 ▶) ↔ ③ (SOURCE) ↔ ④ (TAPE 2 ▶)
- S7: Mode switch in "STEREO" position.
- S8: High filter switch in "OFF" position.
- S9: Loudness switch in "OFF" position.
- S10: Main speakers switch in "ON" position.
- S11: Remote speakers switch in "ON" position.
- S12: Meter range selector switch in "X1" position (X1 ↔ X0.1)
- S13: Power switch in "OFF" position.
- S14-1, S14-2: Voltage selector switch in "110V" position.
 ① (110V) ↔ ② (120V) ↔ ③ (220V) ↔ ④ (240V)
- Indicated voltage values are the standard values for the unit measured by the DC electronic circuit tester (high impedance) with the chassis taken as standard. Therefore, there may exist some errors in the voltage values, depending on the internal impedance of the DC circuit tester.
- This schematic diagram may be modified at any time with the development of new technology.

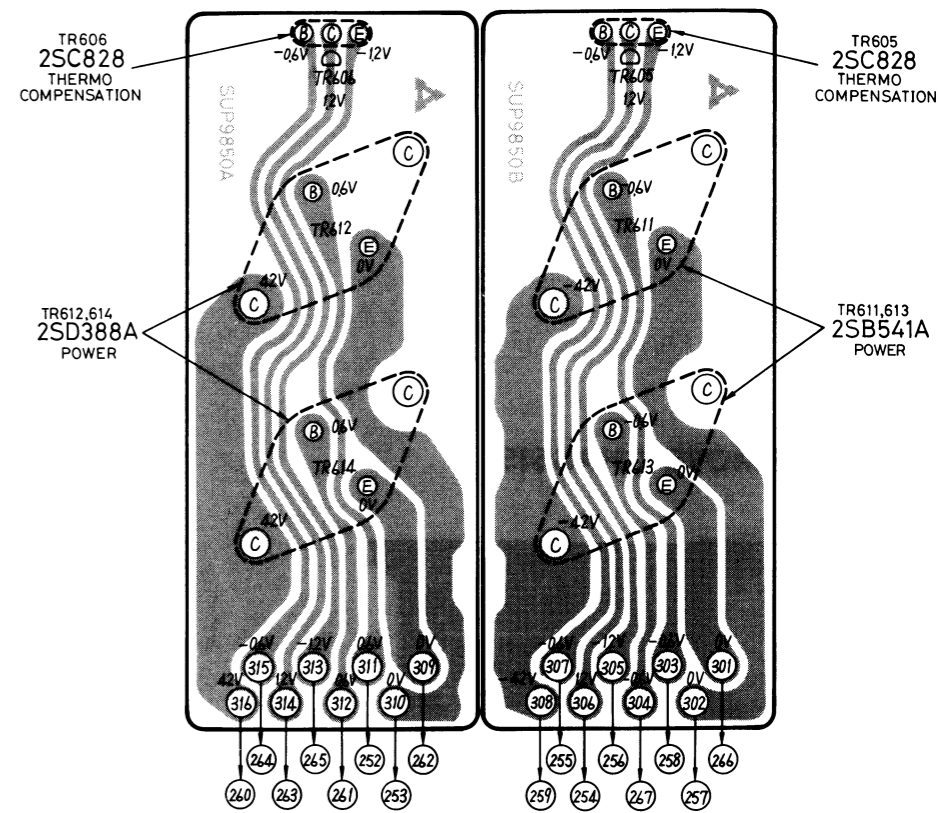
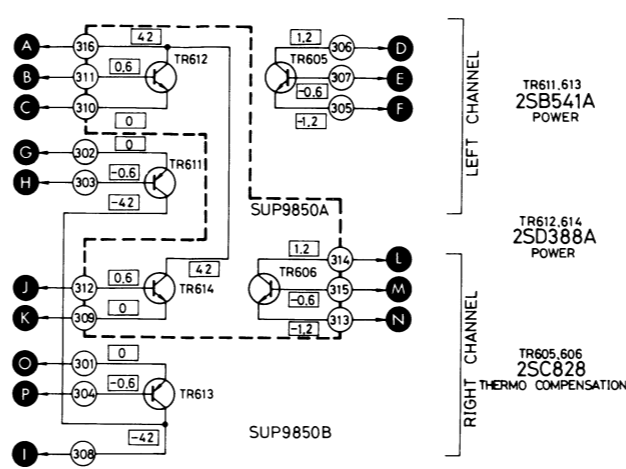
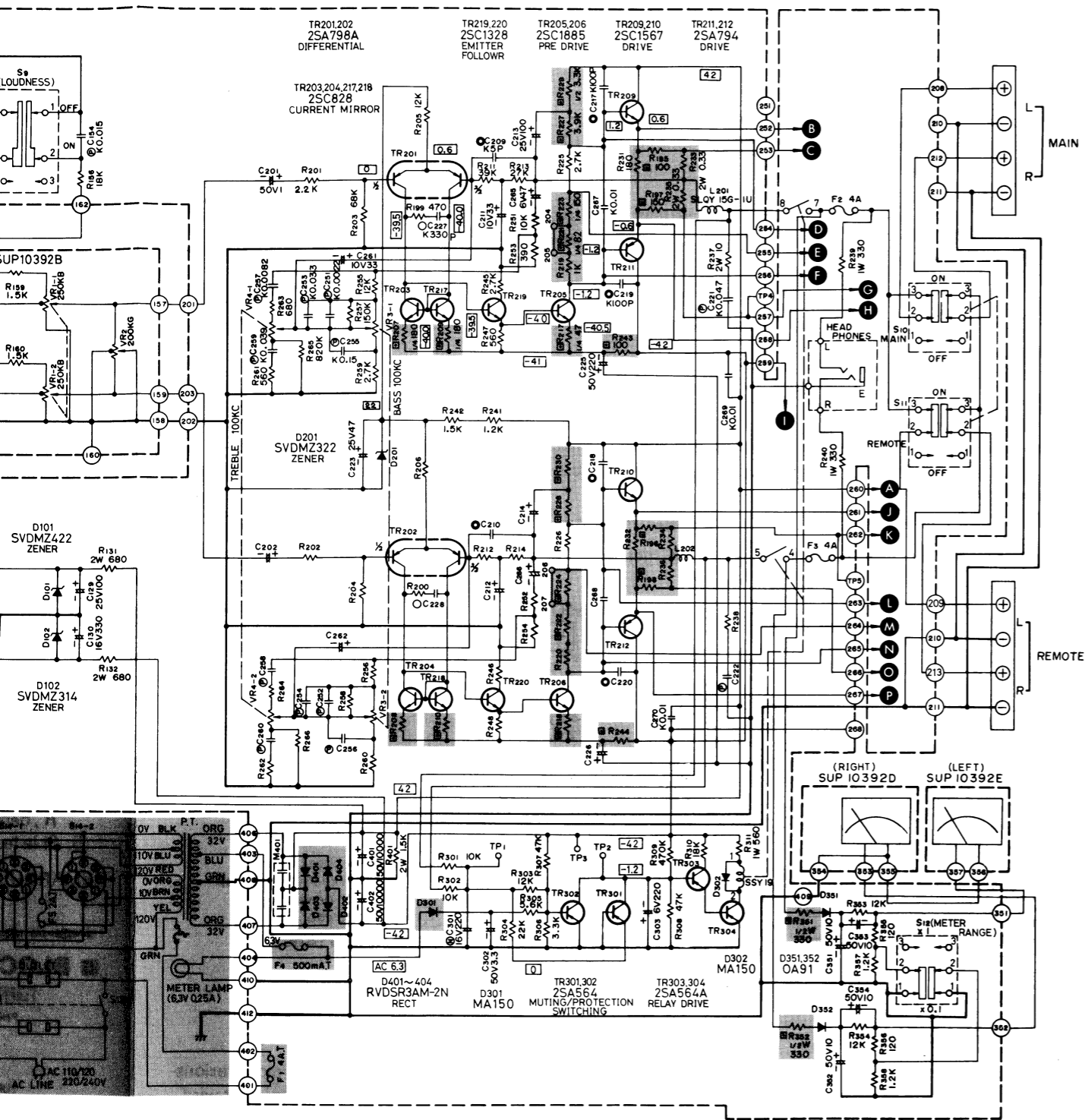
SCHEMATIC

only set for [XGF], [X...]

TR. & I.C. TE



PRINTED CIRCUIT BOARD OF POWER TRANSISTORS

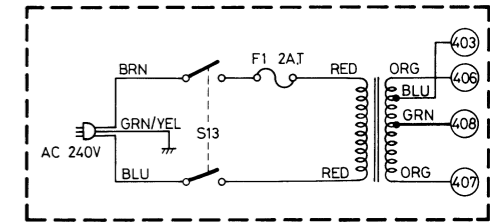
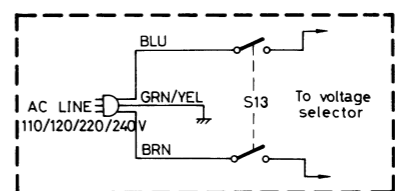
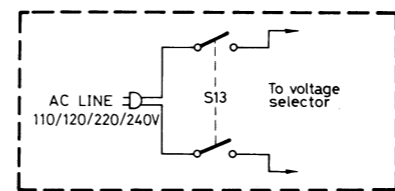


SCHEMATIC DIAGRAMS OF POWER SOURCE

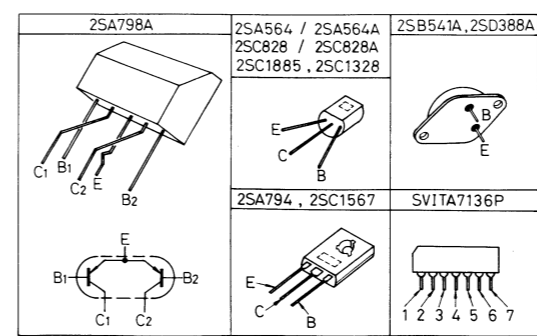
● only set for [XSD], [XSW], [XGF], [XG] and [XGH]

● only set for [XE]

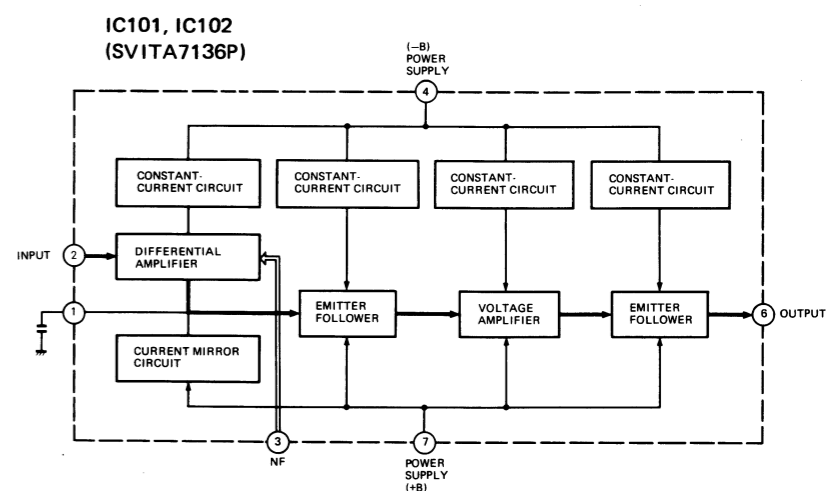
● only set for [XAL]



TR. & I.C. TERMINAL GUIDE

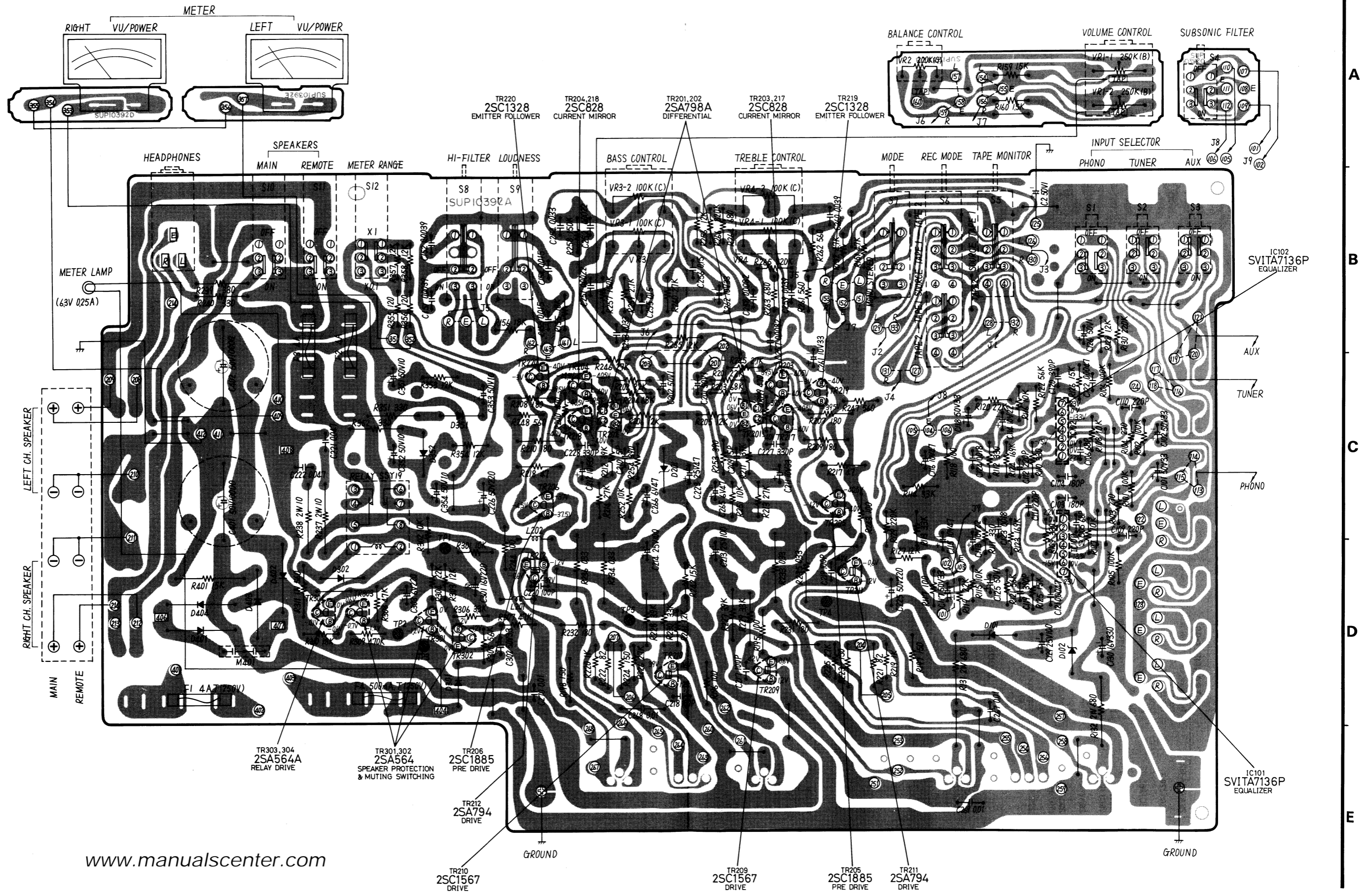


BLOCK DIAGRAM OF INTEGRATED CIRCUIT



- Notes:**
- S1 ~ S3 : Input selector switch in "PHONO" push position. S1... (PHONO) S2... (TUNER) S3... (AUX)
 - S4: Equalizer subsonic filter switch in "ON" position.
 - S5: Tape monitor switch in "SOURCE" position. ② (TAPE 1) ↔ ③ (SOURCE) ↔ ④ (TAPE 2)
 - S6: Recording mode switch in "SOURCE" position. ② (TAPE 1 ▶ 2) ↔ ③ (SOURCE) ↔ ④ (TAPE 2 ▶ 1)
 - S7: Mode switch in "STEREO" position.
 - S8: High filter switch in "OFF" position
 - S9: Loudness switch in "OFF" position.
 - S10: Main speakers switch in "ON" position.
 - S11: Remote speakers switch in "ON" position.
 - S12: Meter range selector switch in "X1" position (X1 ↔ X0.1)
 - S13: Power switch in "OFF" position.
 - S14-1, S14-2: Voltage selector switch in "110V" position. ① (110V) ↔ ② (120V) ↔ ③ (220V) ↔ ④ (240V)
 - Indicated voltage values are the standard values for the unit measured by the DC electronic circuit tester (high impedance) with the chassis taken as standard. Therefore, there may exist some errors in the voltage values, depending on the internal impedance of the DC circuit tester.
 - This schematic diagram may be modified at any time with the development of new technology.

Printed Circuit Board Model SU-7700



www.manualscenter.com

REPLACEMENT PARTS LIST

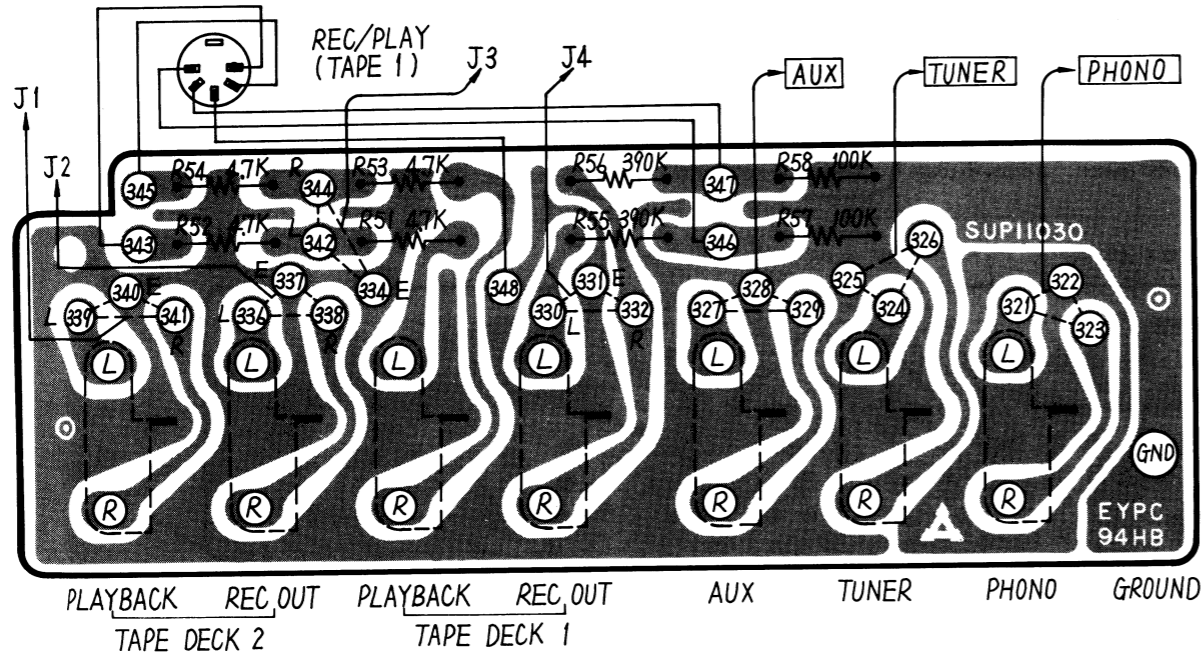
Important Safety Notice

Components identified by shaded area have special characteristics important for safety. When replacing any of these components use only manufacturer's specified parts.

NOTE: 1. Part numbers are indicated on most mechanical parts. Please use this part number for parts orders.

Ref. No.	Part No.	Part Name & Description	Per Set	Remarks
INTEGRATED CIRCUITS				
IC101, 102	SVITA7136FM	IC, Equalizer	2	
TRANSISTORS				
TR201, 202	2SA798A-G2	Transistor, Differential Amplifier (Use in ranks F2 or G2)	2	
TR203, 204	2SC1328-T	Transistor, Current Mirror (Use in ranks T, U or S)	4	
TR205, 206	2SC1885-R	Transistor, Pre Drive Amplifier (Use in ranks Q, R or S)	2	
TR209, 210	2SC1567-Q	Transistor, Drive Amp (Use in Pair ranks Q, R or S)	2	
TR211, 212	2SA794-Q	Transistor, Drive Amp (Use in ranks Q or R)	2	
TR219, 220	2SC1328-T	Transistor, Emitter Follower (Use in ranks T, U or S)	2	
TR301, 302	2SA666A-R	Transistor, Speaker Protection & Relay Drive (Use in ranks Q, R or S)	4	
303, 304				
TR605, 606	2SC828A-R	Transistor, Thermal Compensation	2	
TR612, 614	2SD388A-R	Transistor, Power Amplifier (Use in ranks Q or R)	2	
TR611, 613	2SB641A-R	Transistor, Power Amplifier (Use in ranks Q or R)	2	
DIODES				
D101	SVDMZ422	Zener Diode, 22V	1	
D102	SVDMZ314	Zener Diode, 14V	1	
D201	SVDMZ322	Zener Diode, 22V	1	
D301, 302	MA150	Diode	2	
D351, 352	OA91	Diode, Meter Detector	2	
D401, 402, 403, 404	RVDS3AM-2N	Rectifier	4	
COILS and TRANSFORMERS				
L201, 202	SLQY15G-1U	Coil, Compensation	2	
T1 [XA] only	SL15R23	Power Transformer (Except set for [XA] & [XA])	1	0 0 0
T1 [XA] only	SL15R25	Power Transformer	1	
T1 [XA] only	SL15R27	Power Transformer	1	
RESISTORS				
R51	ERD25TJ472	Carbon, 4.7kΩ, 1/4W, ± 5%	1	
R52	ERD25TJ472	Carbon, 4.7kΩ, 1/4W, ± 5%	1	
R53	ERD25TJ472	Carbon, 4.7kΩ, 1/4W, ± 5%	1	
R54	ERD25TJ472	Carbon, 4.7kΩ, 1/4W, ± 5%	1	
R55	ERD25TJ394	Carbon, 390kΩ, 1/4W, ± 5%	1	
R56	ERD25TJ394	Carbon, 390kΩ, 1/4W, ± 5%	1	
R57	ERD25TJ104	Carbon, 100kΩ, 1/4W, ± 5%	1	
R58	ERD25TJ104	Carbon, 100kΩ, 1/4W, ± 5%	1	
R101	ERD25TJ104	Carbon, 100kΩ, 1/4W, ± 5%	1	
R102	ERD25TJ104	Carbon, 100kΩ, 1/4W, ± 5%	1	
R113	ERD25TJ332	Carbon, 3.3kΩ, 1/4W, ± 5%	1	
R114	ERD25TJ332	Carbon, 3.3kΩ, 1/4W, ± 5%	1	
R115	ERD25TJ103	Carbon, 10kΩ, 1/4W, ± 5%	1	
R116	ERD25TJ103	Carbon, 10kΩ, 1/4W, ± 5%	1	
R117	ERD25TJ101	Carbon, 100Ω, 1/4W, ± 5%	1	
R118	ERD25TJ101	Carbon, 100Ω, 1/4W, ± 5%	1	
R119	ERD25TJ222	Carbon, 2.2kΩ, 1/4W, ± 5%	1	
R120	ERD25TJ222	Carbon, 2.2kΩ, 1/4W, ± 5%	1	
R121	ERD25TJ563	Carbon, 56kΩ, 1/4W, ± 5%	1	
R122	ERD25TJ563	Carbon, 56kΩ, 1/4W, ± 5%	1	
R123	ER025CKF1693	Metal Film, 169kΩ, 1/4W, ± 1%	1	
R124	ER025CKF1693	Metal Film, 169kΩ, 1/4W, ± 1%	1	
R125	ER025CKF1502	Metal Film, 15kΩ, 1/4W, ± 1%	1	
R126	ER025CKF1502	Metal Film, 15kΩ, 1/4W, ± 1%	1	
R127	ERD25TJ122	Carbon, 1.2kΩ, 1/4W, ± 5%	1	
R128	ERD25TJ122	Carbon, 1.2kΩ, 1/4W, ± 5%	1	
R129	ERD25TJ224	Carbon, 220kΩ, 1/4W, ± 5%	1	
R130	ERD25TJ224	Carbon, 220kΩ, 1/4W, ± 5%	1	
R131	ERG2ANJ681	Metal Film, 680Ω, 2W, ± 5%	1	
R132	ERG2ANJ681	Metal Film, 680Ω, 2W, ± 5%	1	
R151	ERD25TJ472	Carbon, 4.7kΩ, 1/4W, ± 5%	1	
R152	ERD25TJ472	Carbon, 4.7kΩ, 1/4W, ± 5%	1	
R155	ERD25TJ183	Carbon, 18kΩ, 1/4W, ± 5%	1	
R156	ERD25TJ183	Carbon, 18kΩ, 1/4W, ± 5%	1	
R159	ERD25TJ152	Carbon, 1.5kΩ, 1/4W, ± 5%	1	
R160	ERD25TJ152	Carbon, 1.5kΩ, 1/4W, ± 5%	1	
R195	ERD14FJ101	Carbon, 100Ω, 1/4W, ± 5%	1	
R196	ERD14FJ101	Carbon, 100Ω, 1/4W, ± 5%	1	
R197	ERD14FJ151	Carbon, 150Ω, 1/4W, ± 5%	1	
R198	ERD14FJ151	Carbon, 150Ω, 1/4W, ± 5%	1	
R199	ERD25TJ471	Carbon, 470Ω, 1/4W, ± 5%	1	
R200	ERD25TJ471	Carbon, 470Ω, 1/4W, ± 5%	1	
R201	ERD25TJ222	Carbon, 2.2kΩ, 1/4W, ± 5%	1	
R202	ERD25TJ222	Carbon, 2.2kΩ, 1/4W, ± 5%	1	
R203	ERD25TJ683	Carbon, 68kΩ, 1/4W, ± 5%	1	
R204	ERD25TJ683	Carbon, 68kΩ, 1/4W, ± 5%	1	
R205	ERD25TJ123	Carbon, 12kΩ, 1/4W, ± 5%	1	
R206	ERD25TJ123	Carbon, 12kΩ, 1/4W, ± 5%	1	
R207	ERD14FJ181	Carbon, 180Ω, 1/4W, ± 5%	1	
R208	ERD14FJ181	Carbon, 180Ω, 1/4W, ± 5%	1	
R209	ERD14FJ181	Carbon, 180Ω, 1/4W, ± 5%	1	
R210	ERD14FJ181	Carbon, 180Ω, 1/4W, ± 5%	1	
R211	ERD25TJ393	Carbon, 39kΩ, 1/4W, ± 5%	1	
R212	ERD25TJ393	Carbon, 39kΩ, 1/4W, ± 5%	1	
R213	ERD25TJ273	Carbon, 27kΩ, 1/4W, ± 5%	1	
R214	ERD25TJ273	Carbon, 27kΩ, 1/4W, ± 5%	1	

PRINTED CIRCUIT BOARD OF INPUT TERMINALS



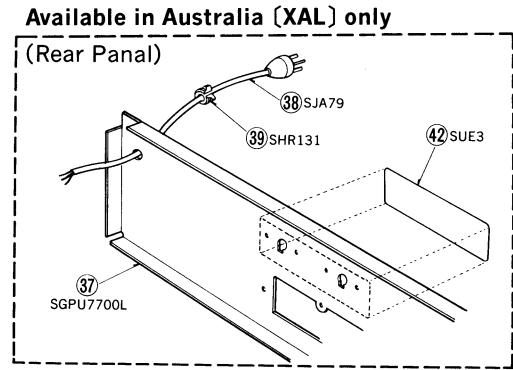
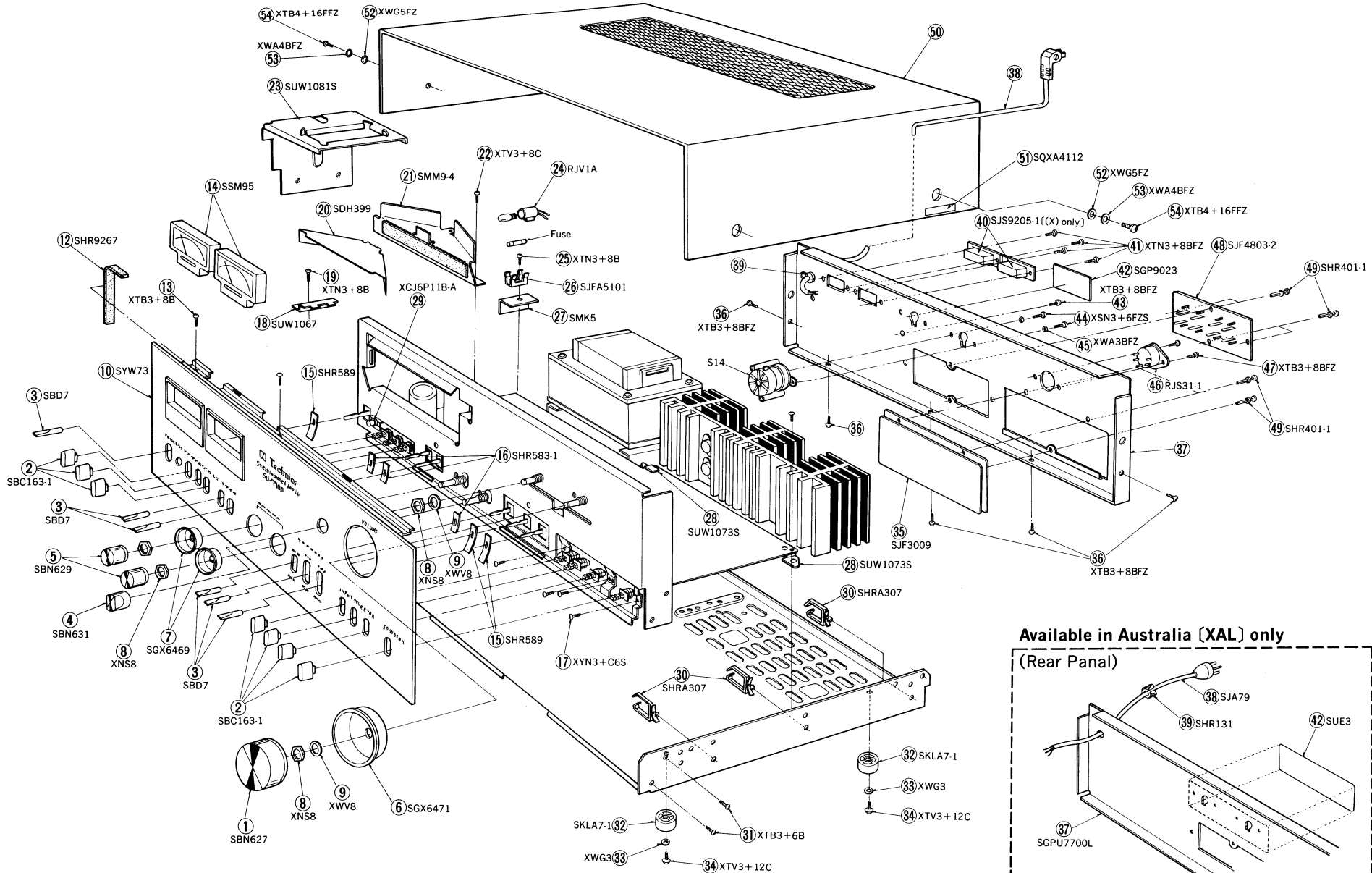
www.manualscenter.com

Ref. No.	Part No.	Part Name & Description	Per Set	Remarks
R217	ERD14FJ470	Carbon, 47Ω, 1/4W, ± 5%	1	
R218	ERD14FJ470	Carbon, 47Ω, 1/4W, ± 5%	1	
R219	ERD19FJ102	Carbon, 1kΩ, 1/8W, ± 5%	1	
R220	ERD19FJ102	Carbon, 1kΩ, 1/8W, ± 5%	1	
R221	ERD14FJ620	Carbon, 82Ω, 1/4W, ± 5%	1	
R222	ERD14FJ620	Carbon, 150Ω, 1/4W, ± 5%	1	
R223	ERD14FJ151	Carbon, 150Ω, 1/4W, ± 5%	1	
R224	ERD14FJ620	Carbon, 82Ω, 1/4W, ± 5%	1	
R225	ERD25TJ272	Carbon, 2.7kΩ, 1/4W, ± 5%	1	
R226	ERD25TJ272	Carbon, 2.7kΩ, 1/4W, ± 5%	1	
R227	ERD14FJ392	Carbon, 3.9kΩ, 1/4W, ± 5%	1	
R228	ERD14FJ392	Carbon, 3.9kΩ, 1/4W, ± 5%	1	
R229	ERD12FJ332	Carbon, 3.3kΩ, 1/2W, ± 5%	1	
R230	ERD12FJ332	Carbon, 3.3kΩ, 1/2W, ± 5%	1	
R231	ERD14FJ181	Carbon, 180Ω, 1/4W, ± 5%	1	
R232	ERD14FJ181	Carbon, 180Ω, 1/4W, ± 5%	1	
R233	ERQ2CKR33	Fuse Type Metallic, 0.33Ω, 2W, ± 10%	1	
R234	ERQ2CKR33	Fuse Type Metallic, 0.33Ω, 2W, ± 10%	1	
R235	ERQ2CKR33	Fuse Type Metallic, 0.33Ω, 2W, ± 10%	1	
R236	ERQ2CKR33	Fuse Type Metallic, 0.33Ω, 2W, ± 10%	1	
R237	ERX2ANJ100	Metal Film, 10Ω, 2W, ± 5%	1	
R238	ERX2ANJ100	Metal Film, 10Ω, 2W, ± 5%	1	
R239	ERG1ANJ331	Metal Film, 330Ω, 1W, ± 5%	1	
R240	ERG1ANJ331	Metal Film, 330Ω, 1W, ± 5%	1	
R241	ERD25TJ122	Carbon, 1.2kΩ, 1/4W, ± 5%	1	
R242	ERD25TJ152	Carbon, 1.5kΩ, 1/4W, ± 5%	1	
R243	ERD14FJ101	Carbon, 100Ω, 1/4W, ± 5%	1	
R244	ERD14FJ101	Carbon, 100Ω, 1/4W, ± 5%	1	
R245	ERD25TJ272	Carbon, 2.7kΩ, 1/4W, ± 5%	1	
R246	ERD25TJ272	Carbon, 2.7kΩ, 1/4W, ± 5%	1	
R247	ERD25TJ561	Carbon, 560Ω, 1/4W, ± 5%	1	
R248	ERD25TJ561	Carbon, 560Ω, 1/4W, ± 5%	1	
R251	ERD25TJ103	Carbon, 10kΩ, 1/4W, ± 5%	1	
R252	ERD25TJ103	Carbon, 10kΩ, 1/4W, ± 5%	1	
R253	ERD25TJ391	Carbon, 390Ω, 1/4W, ± 5%	1	
R254	ERD25TJ391	Carbon, 390Ω, 1/4W, ± 5%	1	
R255	ERD25TJ123	Carbon, 12kΩ, 1/4W, ± 5%	1	
R256	ERD25TJ123	Carbon, 12kΩ, 1/4W, ± 5%	1	
R257	ERD25TJ154	Carbon, 150kΩ, 1/4W, ± 5%	1	
R258	ERD25TJ154	Carbon, 150kΩ, 1/4W, ± 5%	1	
R259	ERD25TJ272	Carbon, 2.7kΩ, 1/4W, ± 5%	1	
R260	ERD25TJ272	Carbon, 2.7kΩ, 1/4W, ± 5%	1	
R261	ERD25TJ561	Carbon, 560Ω, 1/4W, ± 5%	1	
R262	ERD25TJ561	Carbon, 560Ω, 1/4W, ± 5%	1	
R263	ERD25TJ681	Carbon, 680Ω, 1/4W, ± 5%	1	
R264	ERD25TJ681	Carbon, 680Ω, 1/4W, ± 5%	1	
R265	ERD25TJ824	Carbon, 820kΩ, 1/4W, ± 5%	1	
R266	ERD25TJ824	Carbon, 820kΩ, 1/4W, ± 5%	1	
R301	ERD25TJ103	Carbon, 10kΩ, 1/4W, ± 5%	1	
R302	ERD25TJ103	Carbon, 10kΩ, 1/4W, ± 5%	1	
R303	ERD25TJ123	Carbon, 12kΩ, 1/4W, ± 5%	1	
R304	ERD25TJ223	Carbon, 22kΩ, 1/4W, ± 5%	1	
R305	ERD25TJ562	Carbon, 5.6kΩ, 1/4W, ± 5%	1	
R306	ERD25TJ332	Carbon, 3.3kΩ, 1/4W, ± 5%	1	
R307	ERD25TJ473	Carbon, 47kΩ, 1/4W, ± 5%	1	
R308	ERD25TJ473	Carbon, 47kΩ, 1/4W, ± 5%	1	

Ref. No.	Part No.	Part Name & Description	Per Set	Remarks
R309	ERD25TJ474	Carbon, 470k Ω , 1/4W, \pm 5%	1	
R310	ERD25TJ183	Carbon, 18k Ω , 1/4W, \pm 5%	1	
R311	ERG1ANJ561	Metal Film, 560 Ω , 1W, \pm 5%	1	
R351	ERD12FJ331	Carbon, 330 Ω , 1/2W, \pm 5%	1	
R352	ERD12FJ331	Carbon, 330 Ω , 1/2W, \pm 5%	1	
R353	ERD25TJ123	Carbon, 12k Ω , 1/4W, \pm 5%	1	
R354	ERD25TJ123	Carbon, 12k Ω , 1/4W, \pm 5%	1	
R355	ERD25TJ121	Carbon, 120 Ω , 1/4W, \pm 5%	1	
R356	ERD25TJ121	Carbon, 120 Ω , 1/4W, \pm 5%	1	
R357	ERD25TJ122	Carbon, 1.2k Ω , 1/4W, \pm 5%	1	
R358	ERD25TJ122	Carbon, 1.2k Ω , 1/4W, \pm 5%	1	
R401	ERG2ANJ152	Metal Film, 1.5k Ω , 2W, \pm 5%	1	
VARIABLE RESISTORS				
VR1	EWFO0A024BF5	Volume Control, 250k Ω (B)	1	
VR2	EVHGSADF25G25	Balance Control, 200k Ω (G)	1	
VR3	EWFF4XA063C15	Bass Control, 100k Ω (C)	1	
VR4	EWFF3XA063C15	Treble Control, 100k Ω (C)	1	
CAPACITORS				
C2	ECEA50V1	Electrolytic, 1 μ F, 50V	1	
C101	ECEA50M3R3	Electrolytic, 3.3 μ F, 50V	1	
C102	ECEA50M3R3	Electrolytic, 3.3 μ F, 50V	1	
C103	ECCD1H181K	Ceramic, 180pF, 50V, \pm 10%	1	
C104	ECCD1H181K	Ceramic, 180pF, 50V, \pm 10%	1	
C105	ECCD1H680K	Ceramic, 68pF, 50V, \pm 10%	1	
C106	ECCD1H680K	Ceramic, 68pF, 50V, \pm 10%	1	
C109	ECCD1H221K	Ceramic, 220pF, 50V, \pm 10%	1	
C110	ECCD1H221K	Ceramic, 220pF, 50V, \pm 10%	1	
C111	ECCD1H221K	Ceramic, 220pF, 50V, \pm 10%	1	
C112	ECCD1H221K	Ceramic, 220pF, 50V, \pm 10%	1	
C113	ECEA16Z22	Electrolytic, 22 μ F, 16V	1	
C114	ECEA16Z22	Electrolytic, 22 μ F, 16V	1	
C115	ECEA16V47	Electrolytic, 47 μ F, 16V	1	
C116	ECEA16V47	Electrolytic, 47 μ F, 16V	1	
C117	ECEA50Z3R3	Electrolytic, 3.3 μ F, 50V	1	
C118	ECEA50Z3R3	Electrolytic, 3.3 μ F, 50V	1	
C119	ECKD1H391K	Ceramic, 390pF, 50V, \pm 10%	1	
C120	ECKD1H391K	Ceramic, 390pF, 50V, \pm 10%	1	
C121	ECQF1472GZN	Polypropylene, 0.0047 μ F, 125V, \pm 2%	1	
C122	ECQF1472GZN	Polypropylene, 0.0047 μ F, 125V, \pm 2%	1	
C123	ECQF1183GZN	Polypropylene, 0.018 μ F, 125V, \pm 2%	1	
C124	ECQF1183GZN	Polypropylene, 0.018 μ F, 125V, \pm 2%	1	
C125	ECEA50M1R	Electrolytic, 1 μ F, 50V	1	
C126	ECEA50M1R	Electrolytic, 1 μ F, 50V	1	
C129	ECEA25V100V	Electrolytic, 100 μ F, 25V	1	
C130	ECEA16V330V	Electrolytic, 330 μ F, 16V	1	
C151	ECQM1H392KZ	Polyester, 0.0039 μ F, 50V, \pm 10%	1	
C152	ECQM1H392KZ	Polyester, 0.0039 μ F, 50V, \pm 10%	1	
C153	ECQM1H153KZ	Polyester, 0.015 μ F, 50V, \pm 10%	1	
C154	ECQM1H153KZ	Polyester, 0.015 μ F, 50V, \pm 10%	1	
C201	ECEA50M1R	Electrolytic, 1 μ F, 50V	1	
C202	ECEA50M1R	Electrolytic, 1 μ F, 50V	1	
C209	ECCD1H050K	Ceramic, 5pF, 50V, \pm 10%	1	
C210	ECCD1H050K	Ceramic, 5pF, 50V, \pm 10%	1	

Ref. No.	Part No.	Part Name & Description	Per Set	Remarks
C211	ECEA16V33	Electrolytic, 33 μ F, 16V	1	
C212	ECEA16V33	Electrolytic, 33 μ F, 16V	1	
C213	ECEA25V100V	Electrolytic, 100 μ F, 25V	1	
C214	ECEA25V100V	Electrolytic, 100 μ F, 25V	1	
C217	ECCD1H101K	Ceramic, 100pF, 50V, \pm 10%	1	
C218	ECCD1H101K	Ceramic, 100pF, 50V, \pm 10%	1	
C219	ECCD1H101K	Ceramic, 100pF, 50V, \pm 10%	1	
C220	ECCD1H101K	Ceramic, 100pF, 50V, \pm 10%	1	
C221	ECQM1H473KZ	Polyester, 0.047 μ F, 50V, \pm 10%	1	
C222	ECQM1H473KZ	Polyester, 0.047 μ F, 50V, \pm 10%	1	
C223	ECEA35V47V	Electrolytic, 47 μ F, 35V	1	
C225	ECEA50V220V	Electrolytic, 220 μ F, 50V	1	
C226	ECEA50V220V	Electrolytic, 220 μ F, 50V	1	
C227	ECKD1H331K	Electrolytic, 330pF, 50V, \pm 10%	1	
C228	ECKD1H331K	Electrolytic, 330pF, 50V, \pm 10%	1	
C251	ECQM1H222KZ	Polyester, 0.0022 μ F, 50V, \pm 10%	1	
C252	ECQM1H222KZ	Polyester, 0.0022 μ F, 50V, \pm 10%	1	
C253	ECQM1H333KZ	Polyester, 0.033 μ F, 50V, \pm 10%	1	
C254	ECQM1H333KZ	Polyester, 0.033 μ F, 50V, \pm 10%	1	
C255	ECQM1H154KZ	Polyester, 0.15 μ F, 50V, \pm 10%	1	
C256	ECQM1H154KZ	Polyester, 0.15 μ F, 50V, \pm 10%	1	
C257	ECQM1H822KZ	Polyester, 0.0082 μ F, 50V, \pm 10%	1	
C258	ECQM1H822KZ	Polyester, 0.0082 μ F, 50V, \pm 10%	1	
C259	ECQM1H393KZ	Polyester, 0.039 μ F, 50V, \pm 10%	1	
C260	ECQM1H393KZ	Polyester, 0.039 μ F, 50V, \pm 10%	1	
C261	ECEA16V33	Electrolytic, 33 μ F, 16V	1	
C262	ECEA16V33	Electrolytic, 33 μ F, 16V	1	
C265	ECEA10M47	Electrolytic, 47 μ F, 10V	1	
C266	ECEA10M47	Electrolytic, 47 μ F, 10V	1	
C267	ECKD1H103MD	Ceramic, 0.01 μ F, 50V \pm 20%	1	
C268	ECKD1H103MD	Ceramic, 0.01 μ F, 50V, \pm 20%	1	
C269	ECKD2H103PE	Ceramic, 0.01 μ F, 500V	1	
C270	ECKD2H103PE	Ceramic, 0.01 μ F, 500V	1	
C301	ECEA16N220V	Non-Polar Electrolytic, 220 μ F, 16V	1	
C302	ECEA50Z3R3	Electrolytic, 3.3 μ F, 50V	1	
C303	ECEA6V220V	Electrolytic, 220 μ F, 6.3V	1	
C351	ECEA50V10	Electrolytic, 10 μ F, 50V	1	
C352	ECEA50V10	Electrolytic, 10 μ F, 50V	1	
C353	ECEA50V10	Electrolytic, 10 μ F, 50V	1	
C354	ECEA50V10	Electrolytic, 10 μ F, 50V	1	
C401	ECET50R103Y	Electrolytic, 10000 μ F, 50V	1	
C402	ECET50R103Y	Electrolytic, 10000 μ F, 50V	1	
FUSES				
F1	XBA2C40TRO	Fuse, 4AT (250V), Power Source (Except set for [XAL])	1	
F1 [XAL] only	XBA2C20TRO	Fuse, 2AT (250V), Power Source	1	
F2, 3	XBA2C04SS0	Fuse, 4A (250V), Circuit Protection	2	
F4	XBA2C05TRO	Fuse, 500mA (250V), Power Source	1	
F5	XBA2C20TRO	Fuse, 2AT (250V), Power Source (Except set for [XAL])	1	
COMPONENT COMBINATION				
M401	RXAF103P22HD	Component Combination, 0.01 μ F [X2]	1	
PILOT LAMP				
PL1	XAMR53K	Meter Lamp (6.3V 0.25A)	1	

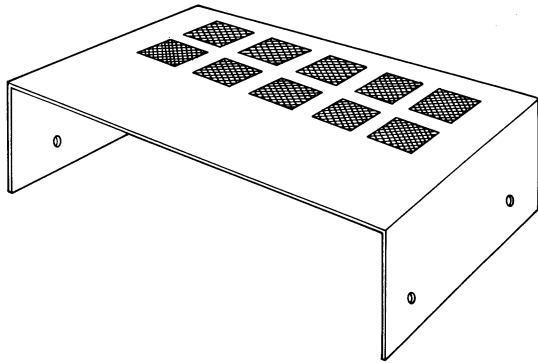
EXPLODED VIEWS



Ref. No.	Part No.	Part Name & Description	Per Set	Remarks
SWITCHES				
S1 ~ S3	SSH327S	Switch, Input Selector	1	
S4	SSH67S	Switch, Equalizer Subsonic	1	
S5 ~ S7	SSL19	Switch, Mode, Recording & Tape	1	
S8, 9	SSL17	Switch, Loudness & High Filter	1	
S10 ~ S12	SSH325S	Switch, Meter Range & Speaker	1	
S13	SSL37S	Switch, Power	1	○
S14	SSR53S	Switch, Voltage Selector (Except set for [XAL])	1	
RELAY				
RLY	SSY19	Relay, Speakers Protection & Muting	1	
CABINET and CHASSIS PARTS				
1	SBN627	Knob, Volume Control	1	
2	SBC163-1	Button, Push Switches	7	○
3	SBD7	Knob, Loudness & Power Switch etc.	6	
4	SBN631	Knob, Balance Control	1	
5	SBN629	Knob, Bass & Treble	2	
6	SGX6471	Ornament, Volume Knob	1	
7	SGX6469	Ornament, Bass & Treble Knobs	2	
8	XNS8	Nut, Bass, Treble, Balance, & Volume	4	
9	XWV8	Washer (Spring) Balance & Volume	2	
10	SYW73	Panel, Front Ass'y	1	○
12	SHR9267	Shading Cloth	1	
13	XTB3+8B	Screw, Front Panel M'tg	2	
14	SSM95	Meter	2	
15	SHR589	Bracket, Power, Tape & Rec Mode Switches	3	○
16	SHR583-1	Bracket, Loudness, Filter & Mode Switches	3	○
17	XYN3+C6S	Screw, Push Switch M'tg	6	
18	SUW1067	Bracket, Printed Circuit Board	1	* ○
19	XTB3+8B	Screw, Printed Circuit Board M'tg	1	
20	SDH399	Bracket, Meter	1	* ○
21	SMM9-4	Bracket, Meter	1	*
22	XTV3+8C	Screw, Meter Bracket M'tg	1	
23	SUW1081S	Bracket, Electrolytic Capacitor	1	* ○
24	RJV1A	Holder, Meter Lamp	1	
25	XTN3+8B	Screw, Fuse Holder M'tg (Except set for [XAL])	1	
26	SJFA5101	Holder, Fuse (Except set for [XAL])	1	
27	SMK5	Bracket, Fuse Holder (Except set for [XAL])	1	*
28	SUW1073S	Bracket, Printed Circuit Board	2	* ○
29	XCJ6P11B-A	Jack, Headphones	1	
30	SHRA307	Lead Clamp	3	
31	XTB3+6B	Screw, Chassis M'tg (Left & Right Side)	4	
32	SKLA7-1	Foot, Set	4	
33	XWG3	Washer, Set Foot M'tg	4	
34	XTV3+12C	Screw, Set Foot M'tg	4	
35	SJF3009	Terminal, Input	1	
36	XTB3+8BFZ	Screw, Rear Panel M'tg	5	
37 [XG,XGH,XGF]	SGP670B	Rear Panel	1	○
37 [XA]	SGP670-1B	Rear Panel	1	○
37 [XE]	SGP670-2B	Rear Panel	1	○
37 [XG,XGH,XGF]	SGP67000	Rear Panel, SGP670B with Name Plate (SGT13671)	1	○
37 [XAL]	SGPU7700L	Rear Panel, SGP670-2B with Name Plate (SGT13670)	1	○

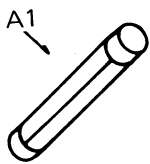
Ref. No.	Part No.	Part Name & Description	Per Set	Remarks
38 [XA,XG,XGF]	SJA97	AC Cord, with Plug	1	
38 [XAL]	SJA79	AC Cord, with Plug	1	
38 [XE]	SJA73	AC Cord	1	
38 [XGH, XSD]	SJA81	AC Cord, with Plug	1	
38 [XSW]	SJA68	AC Cord, with Plug	1	
39	SHR127	Bushing, AC Cord (Except set for [XAL] & [XE])	1	
39 [XAL,XE] only	SHR131	Bushing, AC Cord	1	
40 [XA] only	SJS9205-1	Socket, AC Outlet (only for [XA])	2	
41 [XA] only	XTN3+8BFZ	Screw, AC Outlet M'tg	4	
42	SGP9023	Cover, Rear Panel Hole (Except set for [XAL])	1	
42 [XAL] only	SUE3	Cover, Rear Panel Hole	1	
43	XTB3+8BFZ	Screw Heat Sink M'tg	1	
44	XSN3+6FZS	Screw, Voltage Selector Switch M'tg	2	
45	XWA3BFZ	Washer, Voltage Selector Switch M'tg	2	
46	RJS31-1	Socket, Tape Deck Connection (DIN)	1	
47	XTB3+8BFZ	Screw, DIN Socket M'tg	2	
48	SJF4803-2	Terminal Board, Speaker	1	○
49	SHR401-1	Latch, Terminal Board M'tg	7	
50 [XA,XAL,XG,XGH,XGF]	SKA8253W	Cabinet, Black Wooden	1	
50 [XSD, XSW]	SKA8472W	Cabinet, Black Wooden	1	○
50 [XE]	SKA8471W	Cabinet, Brown Wooden	1	○
51	SQXA4112	Caution Label, Cabinet Screw	2	
52	XWG5FZ	Washer, Cabinet Screw	4	
53	XWA4BFZ	Washer (Spring), Cabinet Screw	4	
54	XTB4+16FFZ	Screw, Cabinet M'tg	4	
ACCESSORIES				
A1	XBA2C40SS0	Fuse, 4A (250V) Circuit Protection	2	
A2	RJP5	Pin Plug	4	
A3 [XA] only	SJP5213	Plug Adapter, Power	1	
A4 [XA] only	SJP5215	Plug Adapter, Power	1	
PACKING PARTS				
P1	SPP495	Polyethylene Bag	1	
P2	SPS971	Pad, Right Upper Side	1	○
P3	SPS969	Pad, Right Lower Side	1	○
P4	SPS967	Pad, Left Upper Side	1	○
P5	SPS965	Pad, Left Lower Side	1	○
P6 [XA, XAL, XG, XGH]	SPG995	Carton Box	1	○
P6 [XSD, XSW]	SPG997	Carton Box	1	○
P6 [XGF]	SPG1063	Carton Box	1	○
P6 [XE]	SPG999	Carton Box	1	○
P7 [XG,XGH,XGF, XSD, XSW]	SQF1525	Printed Matter, (Instructions Book)	1	○
P7 [XA, XE]	SQF1521	Printed Matter, (Instructions Book)	1	○
P7 [XAL]	SQF1523	Printed Matter, (Instructions Book)	1	○
<p>The model [XA] is available in Asia, Latin America, Middle East and Africa. The model [XAL] is available in Australia only. The model [XG] is available in European only. The model [XGH] is available in Holland only. The model [XSD] is available in Scandinavia only. The model [XSW] is available in Switzerland only. The model [XE] is available in England only. The model [XGF] is available in France only.</p>				

■ CABINET ILLUSTRATION FOR (XSD), (XSW) & (XE)

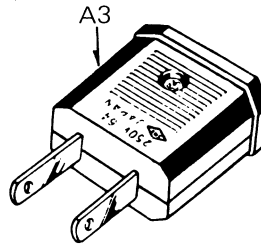


Set for [XSD] and [XSW] are black wooden.
Set for [XE] is brown wooden.

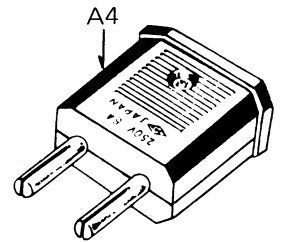
■ ACCESSORIES



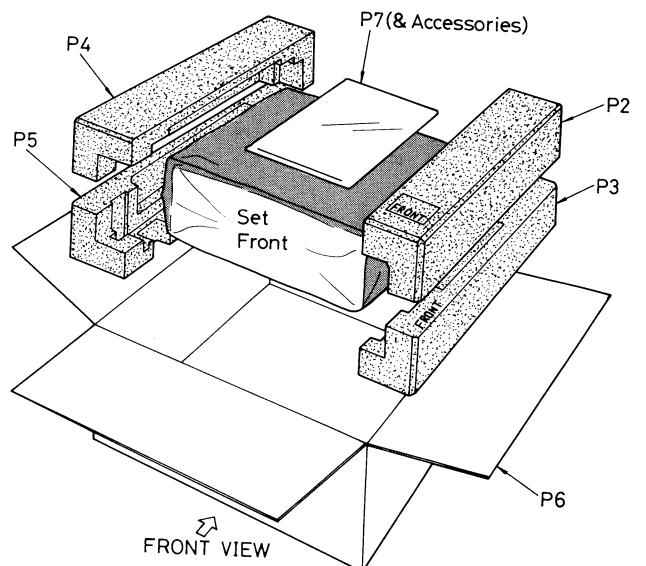
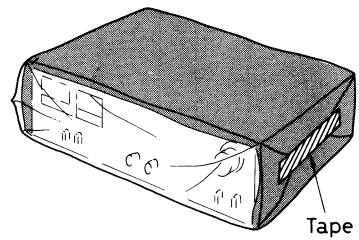
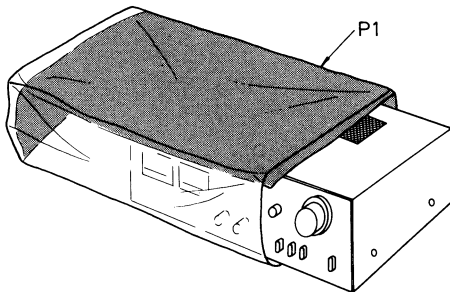
(only set for [XA])



(only set for [XA])



■ PACKINGS



Service Manual

Stereo Integrated Amplifier

SU-7700K

(XG), (XGH), (XSD), (XSW)



- The model SU-7700K (XG) is available in European only.
- The model SU-7700K (XGH) is available in Holland only.
- The model SU-7700K (XSD) is available in Scandinavia only.
- The model SU-7700K (XSW) is available in Switzerland only.

For additional information, please refer to the service manual for Model No. SU-7700.

Notes: * This service manual includes only the changes of the SU-7700 service manual (ORDER NO. SD7702-1196).

* When servicing model SU-7700K, this service manual and SU-7700 (ORDER NO. SD7702-1196) service manual should be used together.

CHANGES

REPLACEMENT PARTS LIST

Ref. No.	Change of Part No.		Part Name & Description	Per Set	Remarks
	SU-7700	SU-7700K			
D401 ~ 404	RVDS3AM-2N	RVDSR3AM-2N	Rectifier (Part No. Correction)	4	
T1	SLT5R23 SLT5R25 [XAL] SLT5R27 [XA]	SLT5R23	Power Transformer	1	
C151, 152	ECQM1H392KZ	ECQM1H472KZ	Polyester Capacitor, 0.0047 μ F, 50V, \pm 10%	2	
C211, 212	ECEA16V33	ECEA6V33	Electrolytic Capacitor, 33 μ F, 6.3V	2	
C262	ECEA16V33	ECEA6V33	Electrolytic Capacitor, 33 μ F, 6.3V	1	
F1	XBA2C40TR0 XBA2C20TR0 [XAL]	XBA2C40TR0	Fuse, 4AT (250 V), Power Source	1	
2	SBC163-1	SBC163-2	Button, Selector & Meter etc, Push Switches	7	
3	SBD7	SBD7-1	Knob, Loudness & Power etc. Lever Switches	6	
10	SYW73	SYW93	Panel, Front	1	○
21	SSM9-4	SSM9-5	Bracket, Meter	1	
37	SGP670B [XA] SGP670-1B [XE] SGP670-2B [XSD, XSW] SGPU7700D [XAL]	SGPU7700KG [XG, XGH]	Rear Panel, SGP670B with Name Plate (SGT13674)	1	○
		SGPU7700KD [XSD, XSW]	Rear Panel, SGP670B with Name Plate (SGT13675)	1	○
38	SJA97 [XAL] SJA79 [XE] SJA73 [XGH, XSD] SJA81 [XSW] SJA68 [XSW]	SJA97 [XG]	AC Cord, with Plug	1	
		SJA81 [XGH, XSD]	AC Cord, with Plug	1	
		SJA68 [XSW]	AC Cord, with Plug	1	
39	SHR127 [XAL, XE] SHR131	SHR127	Bushing, AC Cord	1	
40	SJS9205-1 [XA]	Deletion	0	
41	XTN3 + 8BFZ [XA]	Deletion	0	

Ref. No.	Change of Part No.		Part Name & Description	Per Set	Remarks
	SU-7700	→ SU-7700K			
42	SGP9023 SUE3 [XAL]	SGP9023	Cover, Rear Panel Hole	1	
50	SKA8253W SKA8472W [XSD, XSW]	SKA8253W [XG, XGH]	Cabinet	1	
	SKA8471W [XE]	SKA8472W [XSD, XSW]	Cabinet	1	
A3	SJP5213 [XA]	Deletion	0	
A4	SJP5215 [XA]	Deletion	0	
P6	SPG995 SPG997 [XSD, XSW]	SPG995 [XG, XGH]	Carton Box	1	
	SPG1063 [XGF] SPG999 [XE]	SPG997 [XSD, XSW]	Carton Box	1	
P7	SQF1525 SQF1521 [XA, XE] SQF1523 [XAL]	SQF1525	Instructions Book, Printed Matter	1	