

WM-A602/B602/AF604/BF604

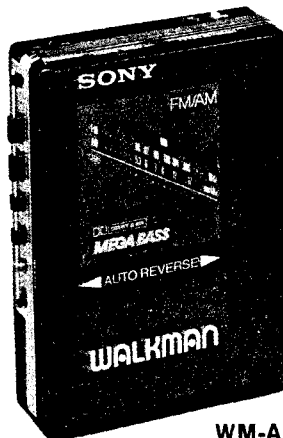
SERVICE MANUAL

US Model
Canadian Model
WM-A602/AF604

AEP Model
UK Model
E Model
WM-B602/BF604



WM-A602



WM-AF604

SPECIFICATION

Radio
(WM-AF604/BF604)

FM: 87.6 – 108MHz (US, Canadian)
FM: 87.5 – 108MHz (Italian)
FM: 87.6 – 107MHz (West Germany)
FM: 87.6 – 107.9MHz (AEP, UK, E)
AM: 530 – 1710kHz (US, Canadian)
AM: 531 – 1602kHz (AEP, UK, E, West Germany)
AM: 526.5 – 1606.5kHz (Italian)

Power requirements

1.5 V DC Battery size AA (R6) × 1
NC-5WM rechargeable battery
External DC 1.5 V power sources

Battery life
(Approximate hours)

	Playback	FM
Sony Alkaline AM3 (N)	7 hrs.	30 hrs.
Rechargeable NC-5WM	2 hrs.	8 hrs.

Accessories supplied

Stereo headphones (open-air type, 1) Beltclip (1)
Battery charger (1) Rechargeable battery (1)

Optional accessories*

Rechargeable battery NC-6WM, NC-5WM
Car battery cord DCC-70
Battery case EBP-500B

* Your dealer may not handle these optional accessories.
Please ask the dealer for detailed information.

Design and specifications subject to change without notice.

Model Name Using Similar Mechanism	WM-150	
Tape Transport Mechanism Type	WM-A602 B602	MF-WMA602-01
	WM-AF604 BF604	MF-WMFAF604-01

Notes on battery

- Remove the battery when you will not use the unit for a long time to prevent damage from battery leakage and corrosion.
- The internal battery is disconnected when you plug a cord into DC IN 1.5V.
- When the sound becomes unstable, try a new battery.

Handling the rechargeable battery

- Recharge when the sound becomes noisy or distorted.

External power sources

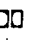
The following external power sources can be connected through the DC IN 1.5 V jack.

- House current using an AC-D1M AC power adaptor
- 12 V car battery using a DCC-70 car battery cord
- Two size D (R20) batteries using an EBP-500B battery case

The illustration shows the polarity of DC IN 1.5 V jack. Use only a power cord having the same polarity.



Dolby noise reduction manufactured under license from
Dolby Laboratories Licensing Corporation.

"DOLBY" and the double-D symbol  are trademarks of
Dolby Laboratories Licensing Corporation.

www.manualscenter.com

CASSETTE PLAYER

WM-A602/B602

FM/AM STEREO CASSETTE PLAYER

WM-AF604/BF604

SONY®

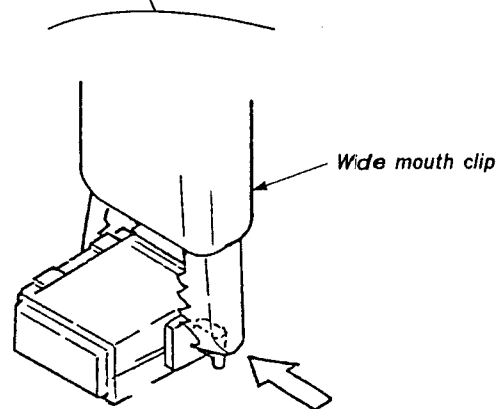
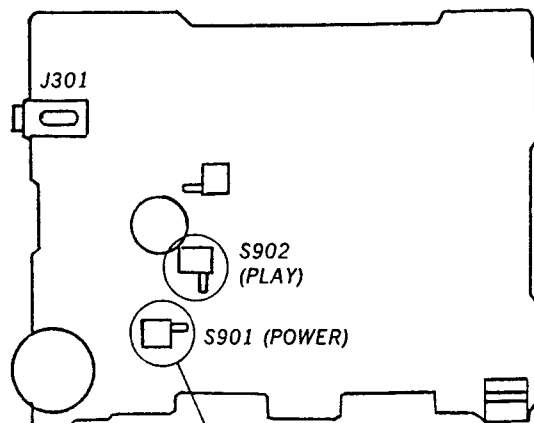
TABLE OF CONTENTS

<u>Section</u>	<u>Title</u>	<u>Page</u>
SECTION 1 GENERAL		
1-1.	Tape Playback	3
1-2.	Radio Reception	3
SECTION 2 DISASSEMBLY		
2-1.	Tuner Unit Removal (WM-AF604/BF604)	4
SECTION 3 ADJUSTMENTS		
3-1.	Mechanical Measurements	5
3-2.	Electrical Adjustments	6
SECTION 4 DIAGRAMS		
4-1.	Printed Wiring Board.....	7
4-2.	Schematic Diagram.....	9
4-3.	IC Block Diagrams	12
SECTION 5 EXPLODED VIEWS		
5-1.	Cabinet Section	13
5-2.	Mechanism Section (1)	14
5-3.	Mechanism Section (2)	15
SECTION 6 ELECTRICAL PARTS LIST		
		16

SERVICING NOTES

When you are movement check states of removed the audio board, press the PLAY (▶) button, slide on the S901 (POWER) and S902 (PLAY) switches.

AUDIO BOARD —Component side—



www.manualscenter.com

Flexible Circuit Board Repairing

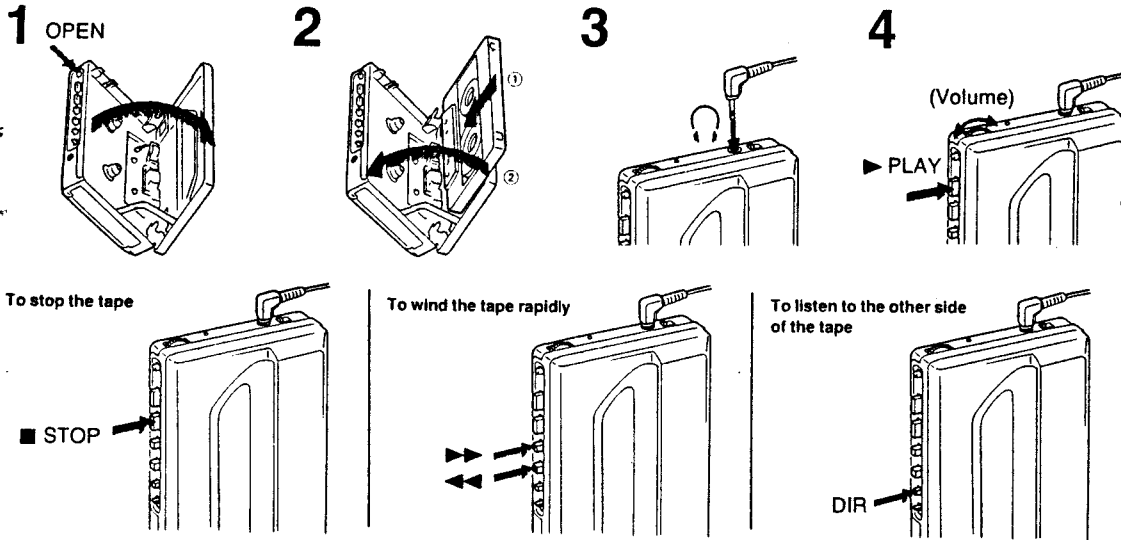
- Keep the temperature of the soldering iron around 270°C during repairing.
- Do not touch the soldering iron on the same conductor of the circuit board (Within 3 times).
- Be careful not to apply force on the conductor when soldering or unsoldering.

Notes on chip component replacement

- Never reuse a disconnected chip component.
- Notice that the minus side of a tantalum capacitor may be damaged by heat.

SECTION 1
GENERAL

1-1. TAPE PLAYBACK



MEGA BASS

Listening to powerful and heavy sound

Set to the desired position
Bass is boosted in the order of NORM, MID and MAX.



DOLBY NR

Getting the best performance from your tape

For Dolby NR processed tapes



MODE

On playback operation

Playing back both sides of the cassette once
When the playback starts from the reverse side of the cassette, the unit will be shut off at the end of that side.



Playing back both sides of the cassette repeatedly



TAPE

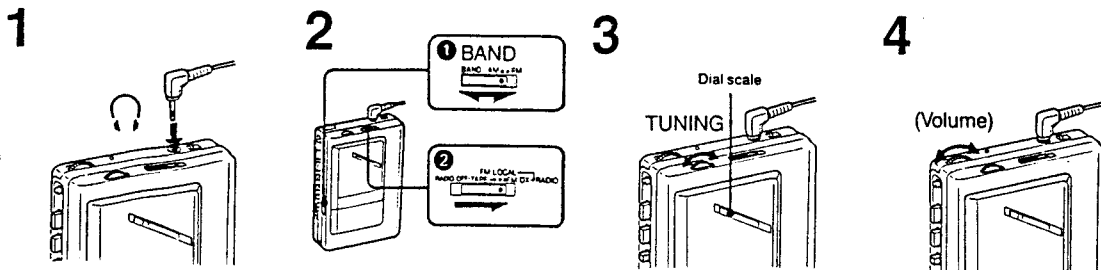
For normal (TYPE I) tapes



For CrO₂ (TYPE II) or metal (TYPE IV) tapes



1-2. RADIO RECEPTION (WM-AF604/BF604)

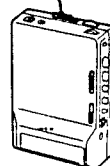


To improve FM sensitivity

For normal reception
Set to FM DX.



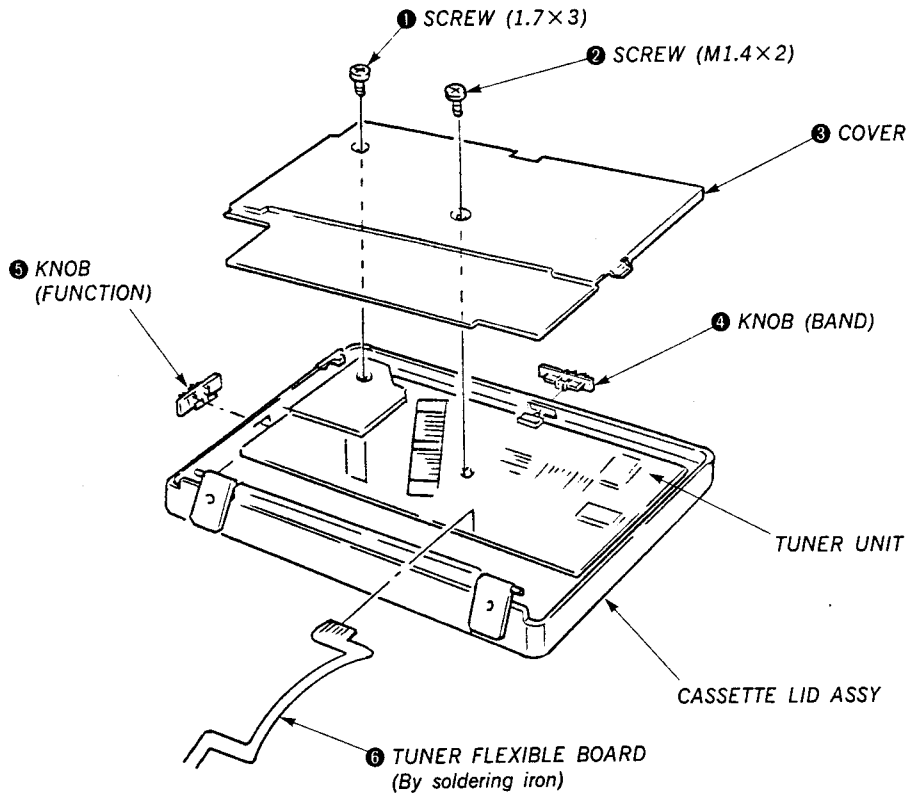
If a very strong station signal causes noise.
The noise will be reduced.
Set to FM LOCAL.



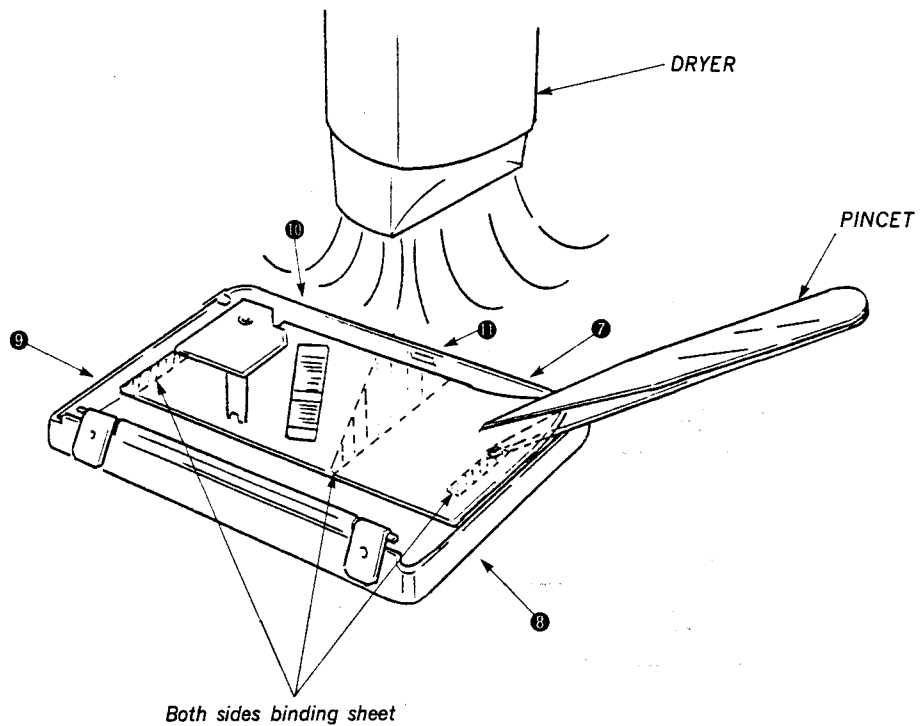
SECTION 2 DISASSEMBLY

Note: Follow the disassembly procedure the numerical order given.

2-1. TUNER UNIT REMOVAL (WM-AF604/BF604)



In order of 7 to 11 with warm up by dryer slowly insert a pinset.



SECTION 3 ADJUSTMENTS

3-1. MECHANICAL MEASUREMENTS

PRECAUTION

1. Clean the following parts with a denatured-alcohol-moistened swab:

playback head	pinch roller
capstan	rubber belts
2. Demagnetize the playback head with a head demagnetizer.
3. Do not use a magnetized screwdriver for the adjustments.
4. After the adjustments, apply suitable locking compound to the parts adjusted.
5. The adjustments should be performed with the reted power supply voltage (1.3V) unless otherwise noted.

Torque Measurement

Mode	Torque meter	Meter reading
FWD	CQ-102C	20-38g·cm (0.27-0.52oz·inch)
FWD Back Tension		0.5-4g·cm (0.007-0.05oz·inch)
REV	CQ-102RB	20-38g·cm (0.27-0.52oz·inch)
REV Back Tension		0.5-3.5g·cm (0.007-0.05oz·inch)
FF, REW	CQ-201B	more than 60 g·cm (more than 0.83 oz·inch)

Tape Tension Measurement

Mode	Torque meter	Meter reading
FWD	CQ-403A	more than 40 g·cm (more than 0.54 oz·inch)
REV	CQ-403R	

www.manualscenter.com

3-2. ELECTRICAL ADJUSTMENTS

Playback Head Azimuth Check

- Perform this check both in FWD and REV mode.

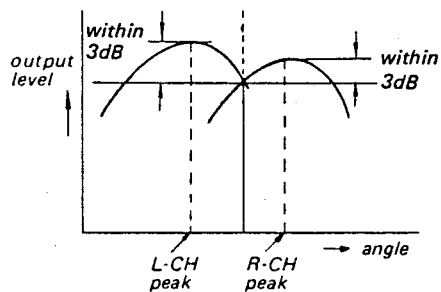
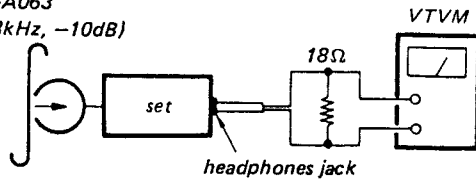
Note: This set is not featured the head azimuth adjustment.
When replacing the head, check the both L-ch and R-ch output levels and also those phases.

Procedure:

1. Level Check

Mode: playback

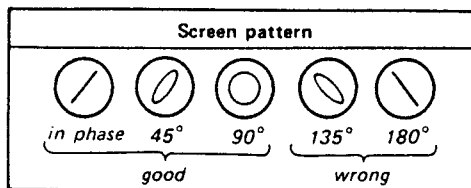
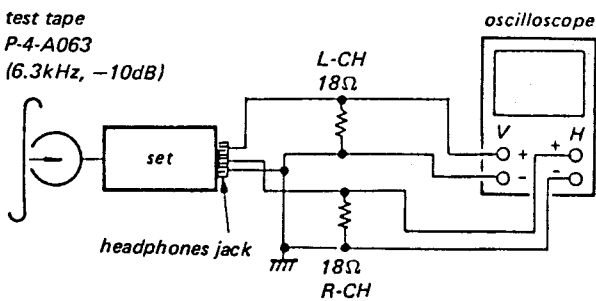
test tape
P-4-A063
(6.3kHz, -10dB)



2. Phase Check

Mode: playback

test tape
P-4-A063
(6.3kHz, -10dB)

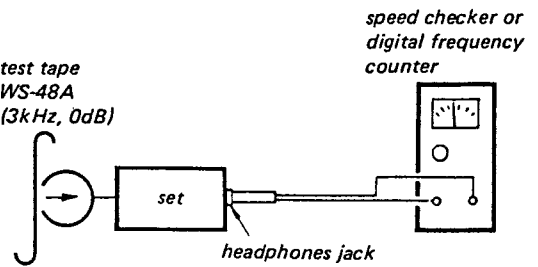


Tape Speed Adjustment

Procedure:

Mode: playback

test tape
WS-48A
(3kHz, 0dB)

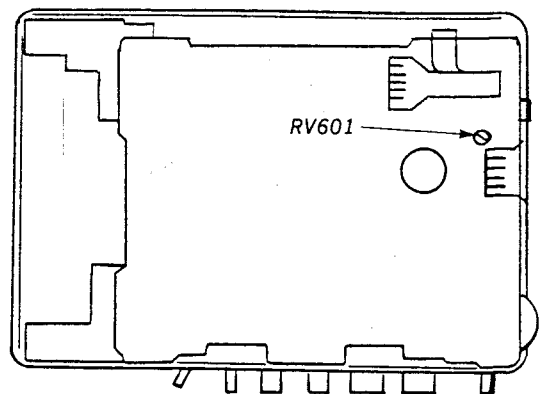


Adjustment value:

speed checker	digital frequency counter
±1.0%	2,970-3,030Hz

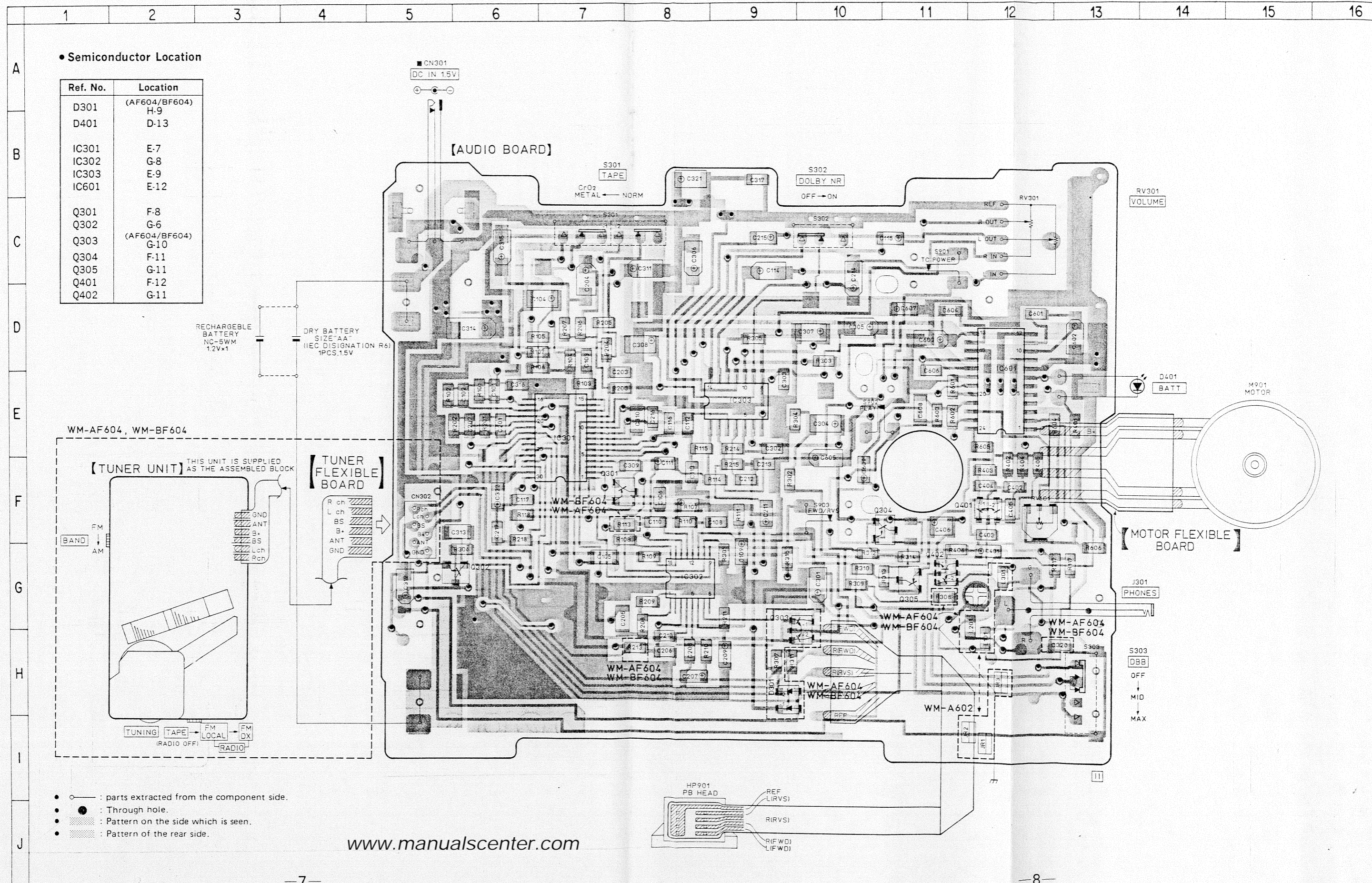
Frequency difference between the beginning and the end of the tape should be within ± 2.5% (±75Hz).

Adjustment Location:



SECTION 4 DIAGRAMS

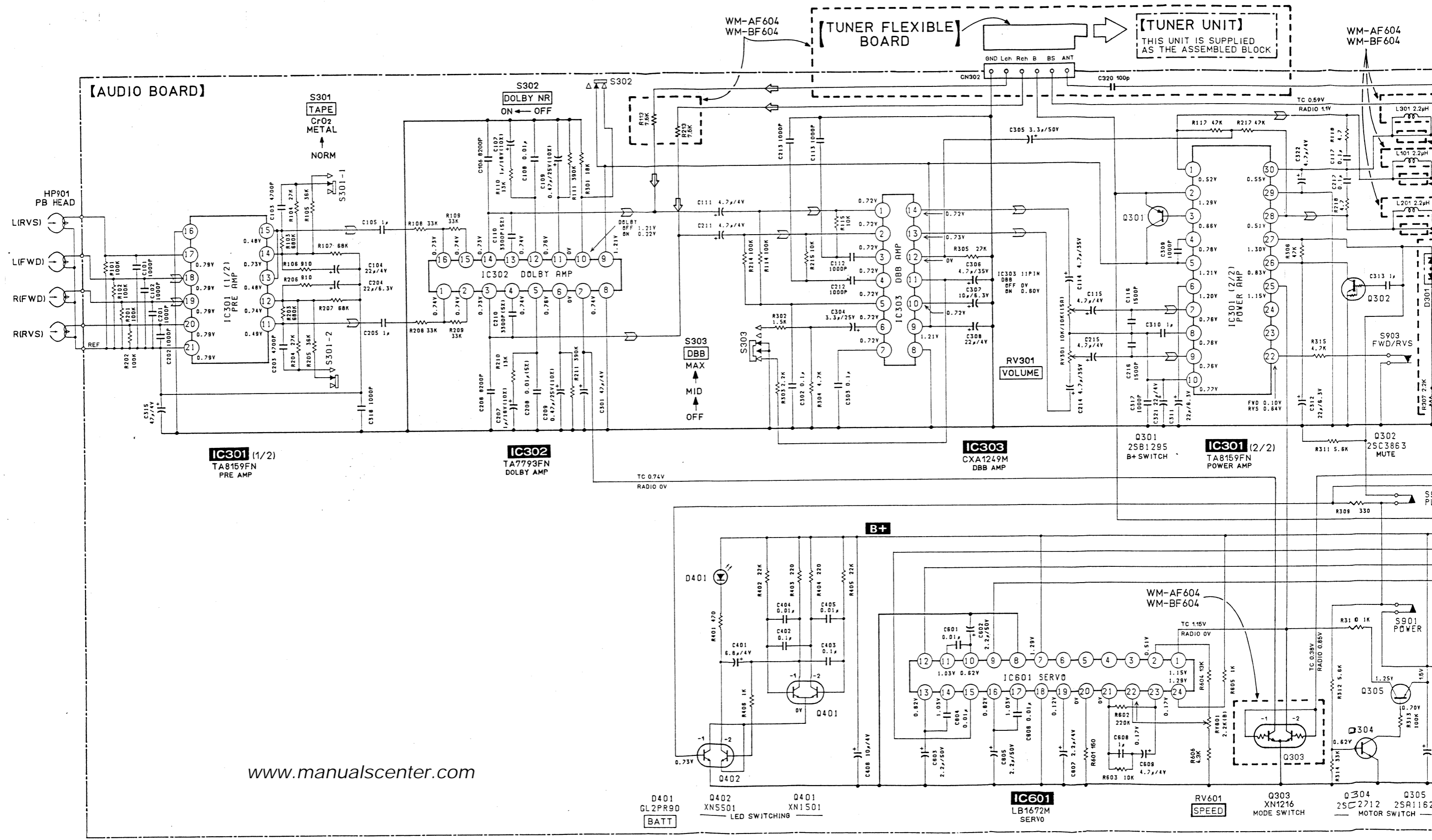
4-1. PRINTED WIRING BOARD



4-2. SCHEMATIC DIAGRAM • Refer to page 12 for IC Block Diagrams.

1 2 3 4 5 6 7 8 9 10 11 12 13 14 15 16 17

A
B
C
E
F
G
H
I
J



www.manualscenter.com

17

18

19

20

21

22

23

• SEMICONDUCTOR LEAD LAYOUTS

A

B

C

D

E

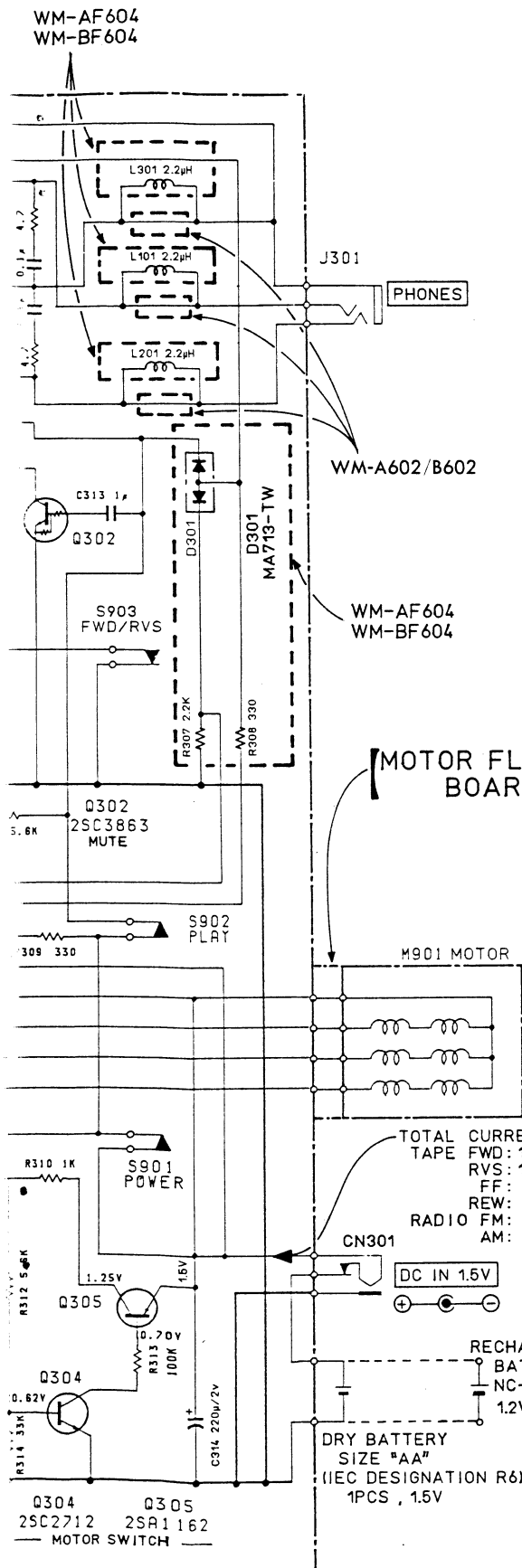
F

G

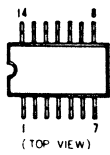
H

I

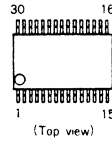
J



CXA1249M



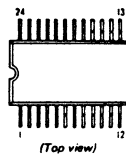
TA8159FN



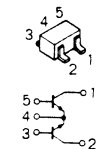
2SA1162
2SB1295-UL6
2SC2712G
2SC3863



LB1672M



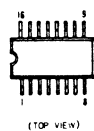
XN1216



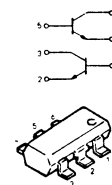
MA713



TA7793FN-ER



XN5501



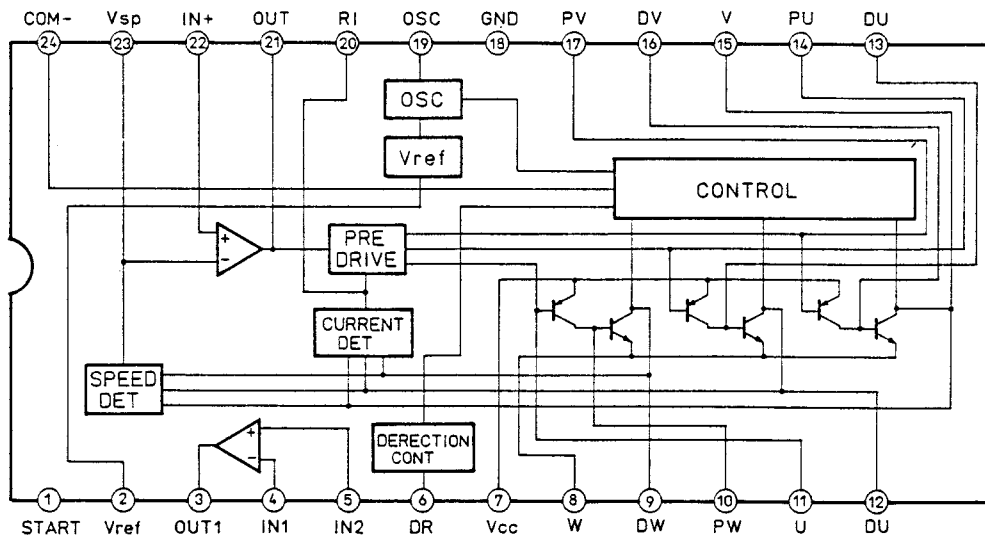
GL2PR90



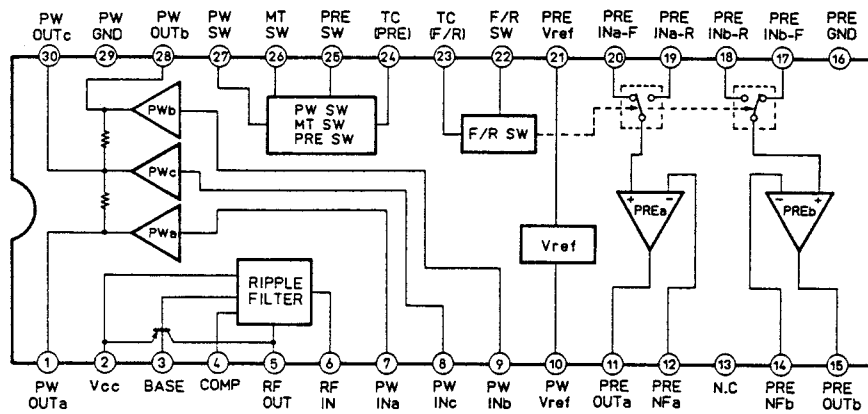
- All capacitors are in μF unless otherwise noted. pF : $\mu\mu\text{F}$ 50WV or less are not indicated except for electrolytics and tantalums.
- All resistors are in Ω and 1/8W or less unless otherwise specified.
- : adjustment for repair.
- Power voltage is dc 1.3V and fed with regulated dc power supply from external power voltage jack.
- Voltage and waveforms are dc with respect to ground under no-signal conditions.
no mark: FWD
- Voltages are taken with a VOM (Input impedance $10\text{M}\Omega$). Voltage variations may be noted due to normal production tolerances.
- Signal path.
 : FM
 : PB

4-3. IC BLOCK DIAGRAMS

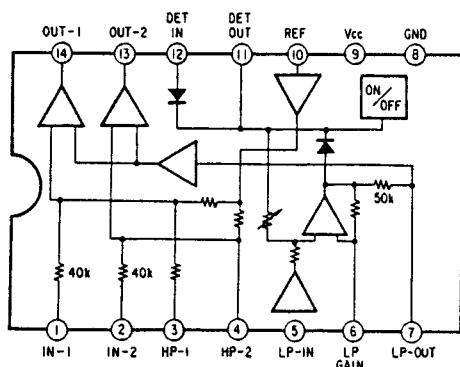
LB1672



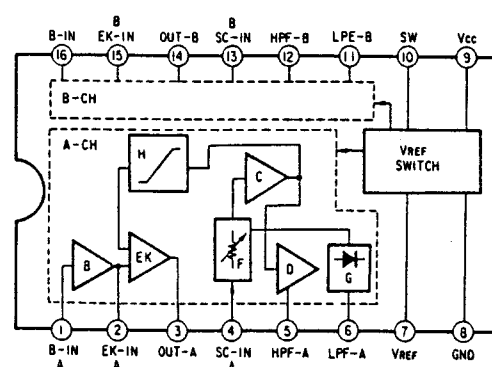
TA-8159FN



CXA-1249M



TA7793F

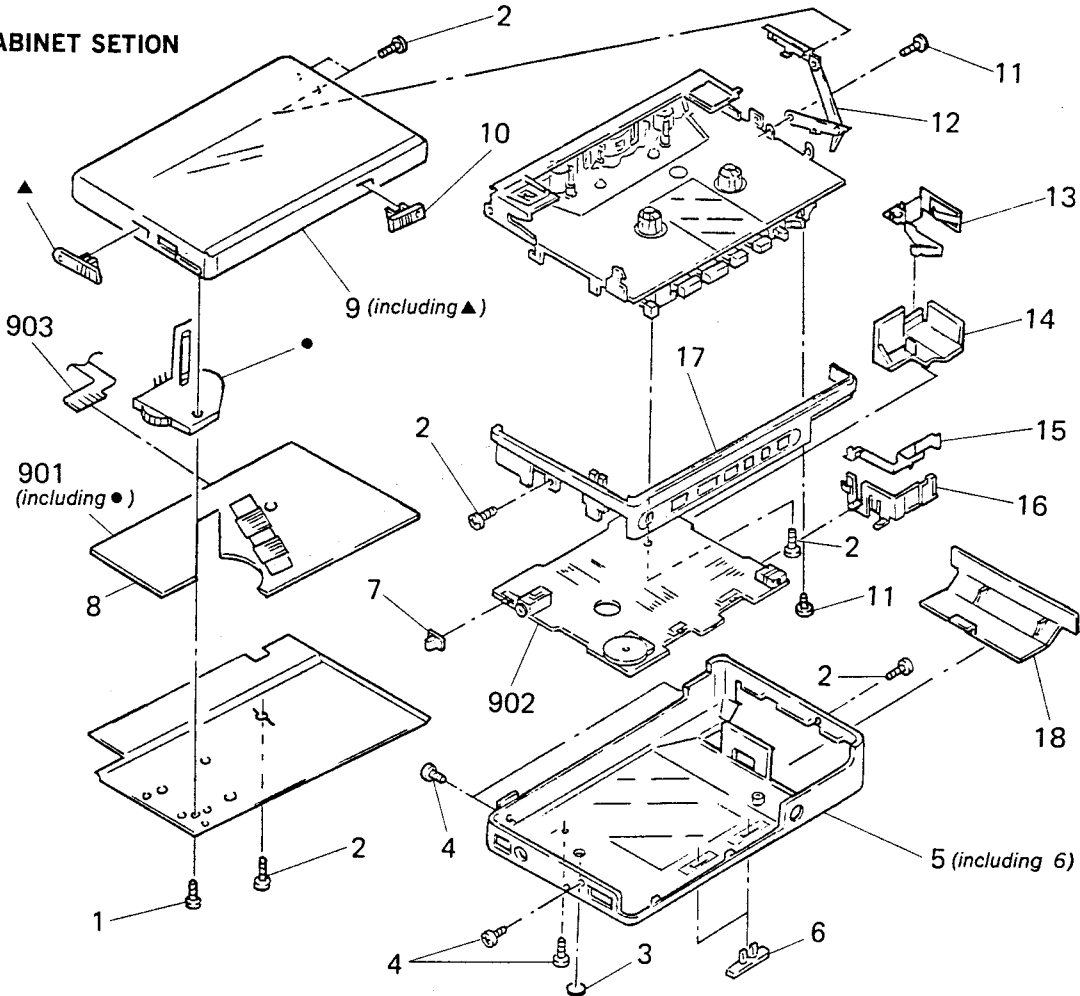


SECTION 5 EXPLODED VIEWS

NOTE:

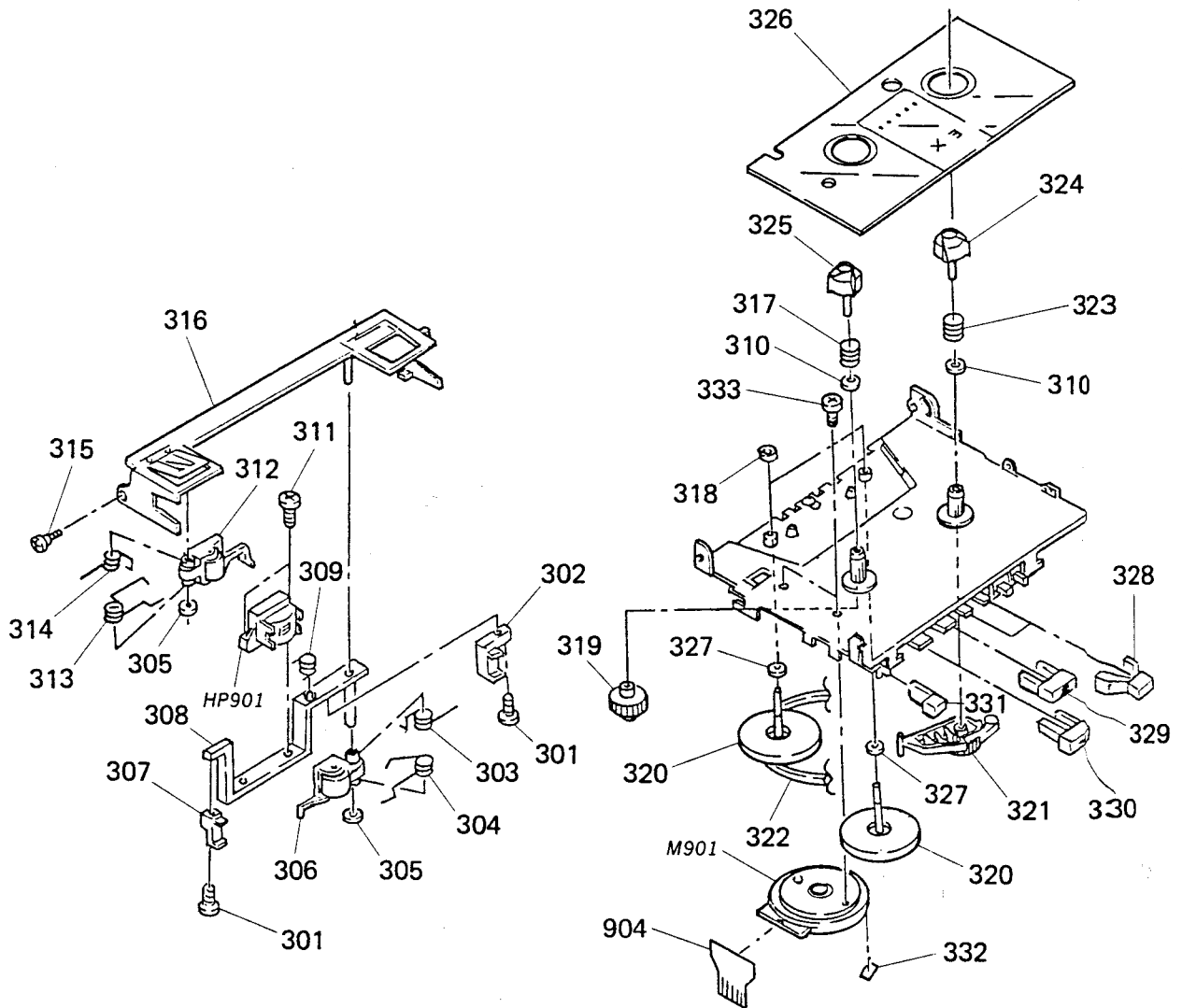
- The mechanical parts with no reference number in the exploded views are not supplied.
- The construction parts of an assembled part are indicated with a collation number in the remark column.
- Items marked “★” are not stocked since they are seldom required for routine service. Some delay should be anticipated when ordering these items.
- Due to standardization, parts with part number suffix -XX and -X may be different from the parts specified in the components used on the set.
- Color Indication of Appearance Parts
Example:
(RED) ...KNOB, BALANCE (WHITE)
↑ Cabinet's Color ↑ Parts' Color

5-1. CABINET SETION



No.	Part No.	Description	Remarks	No.	Part No.	Description	Remarks
1	3-318-382-21	SCREW (1.7X3), TAPPING		10	3-352-055-01	KNOB (BAND)	
2	3-704-197-11	SCREW (M1.4X2.0), LOCKING		11	3-704-197-01	SCREW (M1.4X1.6), LOCKING	
3	3-342-380-01	SHEET, SPEED HOLE		12	X-3352-013-1	ARM ASSY, CLICK	
4	3-704-197-31	SCREW (M1.4X3.0), LOCKING		13	3-352-048-01	TERMINAL BOARD, MINUS	
5	X-3352-015-1	(A602/B602)...CABINET (REAR) ASSY		14	3-352-050-01	HOLDER (B), TERMINAL	
	X-3352-017-1	(AF604/BF604:AEP,UK,E,WG) ...CABINET (REAR) ASSY		15	3-352-047-01	TERMINAL BOARD, PLUS	
	X-3352-022-1	(BF604:IT)....CABINET (REAR) ASSY		16	3-352-049-01	HOLDER (A), TERMINAL	
6	3-352-045-01	KNOB (TAPE)		17	3-352-053-01	ORNAMENT, BUTTON	
7	3-348-186-01	KNOB (DBB)		18	3-352-046-01	LID, BATTERY CASE	
8	*3-352-061-01	COVER		901	1-465-150-11	(AF604).....TUNER UNIT	
9	X-3352-014-1	(A602/B602).....LID (TC-1)ASSY, CASSETTE			1-465-151-11	(BF604:AEP,UK,E)....TUNER UNIT	
	X-3352-018-1	(AF604).....LID (CF-1)ASSY, CASSETTE			1-465-152-11	(BF604:WG).....TUNER UNIT	
	X-3352-020-1	(BF604:AEP,UK,E) ...LID (CF-1)ASSY, CASSETTE			1-465-153-11	(BF604:IT).....TUNER UNIT	
	X-3352-021-1	(BF604:IT,WG)...LID (CF-1)ASSY, CASSETTE		902	A-3070-259-A	(AF604/BF604)...MOUNTED PCB, AUDIO	
					A-3270-602-A	(A602/B602).....MOUNTED PCB, AUDIO	
				903	1-630-708-11	(AF604/BF604)...PC BOARD, FLEXIBLE TUNER	

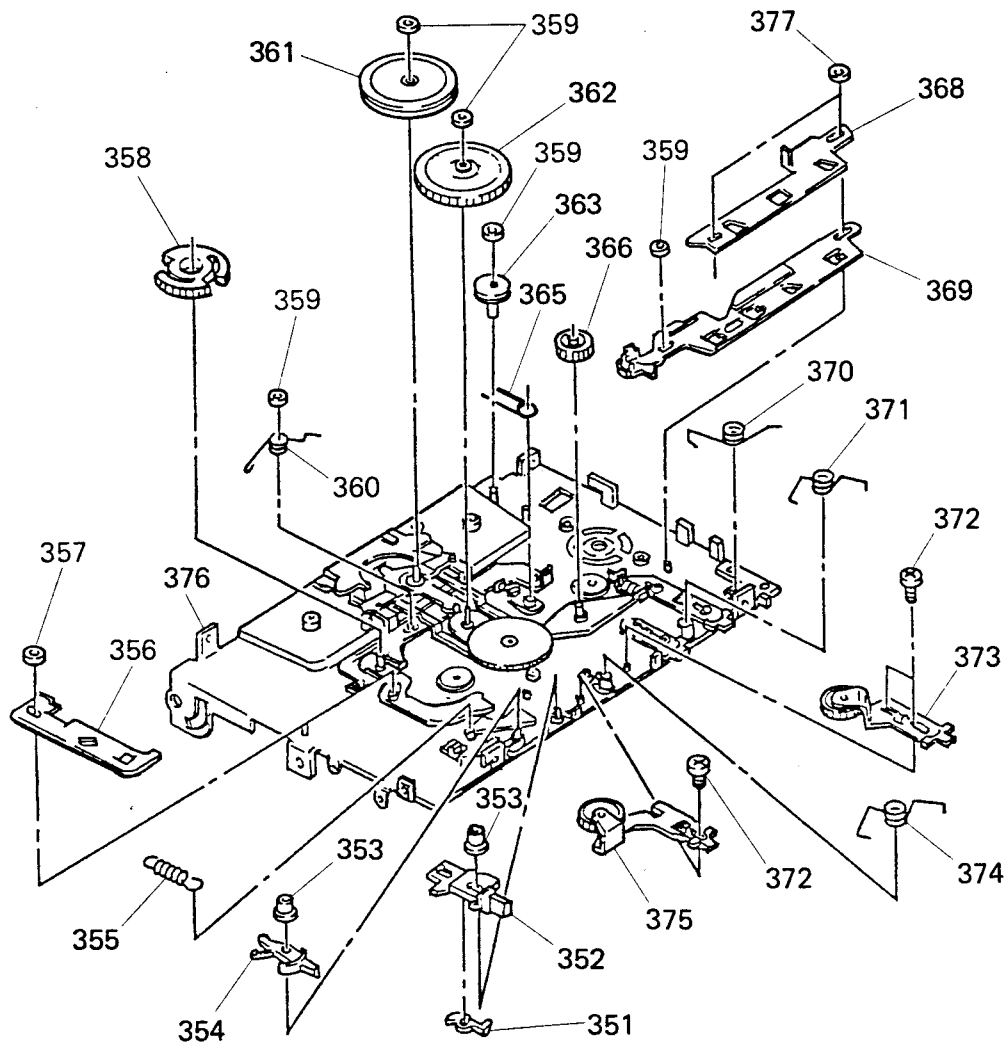
5-2. MECHANISM SECTION (1)
 (WM-A602/B602 : MF-WMA602-01
 WM-AF604/BF604 : MF-WMFAF604-01)



No.	Part No.	Description	Remarks	No.	Part No.	Description	Remarks
301	3-348-998-31	SCREW (M1.4X2.5), TAPPING, PAN		317	3-348-989-01	SPRING, COMPRESSION	
302	*3-344-693-01	GUIDE (LEFT)		318	3-331-007-21	WASHER	
303	3-341-468-01	SPRING (R)		319	3-348-151-01	GEAR (TAKE-UP REEL)	
304	3-352-082-01	SPRING (PINCH RX), TORSION		320	X-3352-007-1	WHEEL (R.X) ASSY, CAPSTAN	
305	3-341-473-01	WASHER (MP)		321	X-3348-110-1	LEVER ASSY, PICK UP	
306	X-3331-035-1	PINCH LEVER (R) ASSY		322	3-352-022-01	BELT	
307	*3-344-694-01	GUIDE (RIGHT)		323	3-348-107-01	SPRING, COMPRESSION	
308	*3-345-725-01	LEVER (AZ), HEAD		324	3-348-149-01	REEL, SUPPLY	
309	3-347-205-01	SPRING (HD LEVER), TORSION		325	3-348-150-01	REEL, TAKE-UP	
310	3-348-990-11	WASHER		326	3-352-010-01	COVER (X), MD	
311	3-348-998-71	SCREW (M1.4X4.5), TAPPING, PAN		327	3-321-394-21	WASHER	
312	X-3331-036-1	PINCH LEVER (N) ASSY		328	3-352-025-01	BUTTON (FR.X)	
313	3-352-081-01	SPRING (PINCH NX), TORSION		329	3-352-024-01	BUTTON (STOP.X)	
314	3-341-469-01	SPRING (N)		330	3-352-023-01	BUTTON (PLAY.X)	
315	3-352-005-01	SCREW (M1.4), PRECISION STEP		331	3-348-129-01	BUTTON (OPEN)	
316	X-3352-009-1	(A602/B602).....HOLDER (TX) ASSY		332	3-703-929-01	SPACER (P)	
	X-3352-010-1	(AF604/BF604)...HOLDER (TX) ASSY		333	3-349-825-01	SCREW	
				904	1-629-873-11	PC BOARD, MOTOR FLEXIBLE	
				HP901	1-543-605-11	HEAD, MAGNETIC (PLAYBACK)	
				M901	1-541-560-11	MOTOR	

5-3. MECHANISM SECTION (2)

(WM-A602/B602 : MF-WMA602-01
 WM-AF604/BF604 : MF-WMFAF604-01)



No.	Part No.	Description	Remarks	No.	Part No.	Description	Remarks
351	3-348-101-01	RATCHET		365	3-348-159-01	SPRING (NR), TORSION	
352	3-348-156-01	LEVER, DIR		366	3-352-021-01	GEAR (N.X)	
353	3-348-102-01	BUSHING		368	*3-352-028-01	LEVER (X), SW	
354	3-348-105-01	LEVER, MODE SELECTION		369	X-3348-102-1	LEVER ASSY, LOCK	
355	3-348-163-01	SPRING, TENSION		370	3-348-162-01	SPRING (LOCK), TORSION	
356	*3-352-002-01	LEVER (X), TRIGGER		371	3-348-103-01	SPRING (PLAY), TORSION	
357	3-348-953-11	WASHER		372	3-348-160-01	SCREW (M1.4X1.3), PRECISION PAN	
358	3-352-032-01	GEAR (X), CAM		373	X-3352-004-1	LEVER (X) ASSY, FF	
359	3-348-996-01	WASHER		374	3-348-168-01	SPRING (FR), TORSION	
360	3-348-172-01	SPRING (S.OFF), TORSION		375	X-3352-005-1	LEVER (X) ASSY, REW	
361	3-352-007-01	PULLEY (MIDWAY.X)		376	X-3352-011-1	CHASSIS (X) COMPLETE ASSY	
362	X-3352-006-1	CLUTCH (X) ASSY		377	3-348-953-21	WASHER	
363	3-352-008-01	PULLEY (REVERSE.X)					

SECTION 6 ELECTRICAL PARTS LIST

NOTE:

- Due to standardization, replacements in the parts list may be different from the parts specified in the diagrams or the components used on the set.
- Items marked "*" are not stocked since they are seldom required for routine service. Some delay should be anticipated when ordering these items.
- If there are two or more same circuits in a set such as a stereophonic machine, only typical circuit parts may be indicated and capacitors and resistors in other same circuits may be omitted.

CAPACITORS:

MF: μ F, PF: μ PF.

RESISTORS

- All resistors are in ohms.
- F: nonflammable

COILS

- MMH: mH, UH: μ H

SEMICONDUCTORS

In each case, U: μ , for example:
 UA....: μ A..., UPA....: μ PA...,
 UPC....: μ PC, UPD....: μ PD...

The components identified by mark Δ or dotted line with mark Δ are critical for safety. Replace only with part number specified.

Les composants identifiés par une marque Δ sont critiques pour la sécurité. Ne les remplacer que par une pièce portant le numéro spécifié.

Ref.No.	Part No.	Description				Ref.No.	Part No.	Description			
901	1-465-150-11	(AF604).....TUNER UNIT				C303	1-163-038-00	CERAMIC CHIP 0.1MF			25V
	1-465-151-11	(BF604:AEP,UK,E)...TUNER UNIT				C304	1-126-609-11	ELECT 3.3MF	20%		25V
	1-465-152-11	(BF604:WG).....TUNER UNIT				C305	1-126-602-11	ELECT 3.3MF	20%		50V
	1-465-153-11	(BF604:IT).....TUNER UNIT									
902	A-3070-259-A	(AF604/BF604)...MOUNTED PCB, AUDIO				C306	1-126-603-11	ELECT 4.7MF	20%		35V
	A-3270-602-A	(A602/B602)....MOUNTED PCB, AUDIO				C307	1-126-591-11	ELECT 10MF	20%		6.3V
903	1-630-708-11	(AF604/BF604)				C308	1-126-590-11	ELECT 22MF	20%		4V
		...PC BOARD, FLEXIBLE (TUNER)									
904	1-629-873-11	PC BOARD, MOTOR FLEXIBLE				C309	1-163-009-11	CERAMIC CHIP 0.001MF	10%		50V
C101	1-163-009-11	CERAMIC CHIP 0.001MF	10%			C310	1-162-638-11	CERAMIC CHIP 1MF			16V
C102	1-163-009-11	CERAMIC CHIP 0.001MF	10%			C311	1-126-605-11	ELECT 22MF	20%		6.3V
C103	1-163-017-00	CERAMIC CHIP 0.0047MF	5%								
C104	1-126-590-11	ELECT 22MF	20%			C312	1-126-605-11	ELECT 22MF	20%		6.3V
C105	1-162-638-11	CERAMIC CHIP 1MF				C313	1-162-638-11	CERAMIC CHIP 1MF			16V
C106	1-163-020-00	CERAMIC CHIP 0.0082MF	5%			C314	1-126-608-11	ELECT 220MF	20%		2V
C107	1-135-199-21	TANTAL. CHIP 1MF	10%			C315	1-126-607-11	ELECT 47MF	20%		4V
C108	1-163-021-00	CERAMIC CHIP 0.01MF	5%			C316	1-163-009-11	CERAMIC CHIP 0.001MF	10%		50V
C109	1-135-195-21	TANTAL. CHIP 0.47MF	10%			C317	1-163-009-11	CERAMIC CHIP 0.001MF	10%		50V
C110	1-163-015-00	CERAMIC CHIP 0.0033MF	5%			C320	1-163-117-00	(AF604/BF604)			
C111	1-135-183-11	TANTAL. CHIP 4.7MF	20%					...CERAMIC CHIP 100PF	10%		50V
C112	1-163-009-11	CERAMIC CHIP 0.001MF	10%			C321	1-126-590-11	ELECT 22MF	20%		4V
C113	1-163-009-11	CERAMIC CHIP 0.001MF	10%			C322	1-135-183-11	TANTAL. CHIP 4.7MF	20%		4V
C114	1-126-603-11	ELECT 4.7MF	20%			C401	1-135-184-11	TANTAL. CHIP 6.8MF	20%		4V
C115	1-135-183-11	TANTAL. CHIP 4.7MF	20%			C402	1-163-038-00	CERAMIC CHIP 0.1MF			25V
C116	1-163-145-00	CERAMIC CHIP 0.0015MF	10%			C403	1-163-038-00	CERAMIC CHIP 0.1MF			25V
C117	1-163-038-00	CERAMIC CHIP 0.1MF				C404	1-163-021-00	CERAMIC CHIP 0.01MF	10%		50V
C201	1-163-009-11	CERAMIC CHIP 0.001MF	10%			C405	1-163-021-00	CERAMIC CHIP 0.01MF	10%		50V
C202	1-163-009-11	CERAMIC CHIP 0.001MF	10%			C406	1-135-185-11	TANTAL. CHIP 10MF	20%		4V
C203	1-163-017-00	CERAMIC CHIP 0.0047MF	5%			C601	1-163-021-00	CERAMIC CHIP 0.01MF	10%		50V
C204	1-126-605-11	ELECT 22MF	20%			C602	1-126-601-11	ELECT 2.2MF	20%		50V
C205	1-162-638-11	CERAMIC CHIP 1MF				C603	1-126-601-11	ELECT 2.2MF	20%		50V
C206	1-163-020-00	CERAMIC CHIP 0.0082MF	5%			C604	1-163-021-00	CERAMIC CHIP 0.01MF	10%		50V
C207	1-135-199-21	TANTAL. CHIP 1MF	10%			C605	1-126-601-11	ELECT 2.2MF	20%		50V
C208	1-163-021-00	CERAMIC CHIP 0.01MF	5%			C606	1-163-021-00	CERAMIC CHIP 0.01MF	10%		50V
C209	1-135-195-21	TANTAL. CHIP 0.47MF	10%			C607	1-135-149-21	TANTAL. CHIP 2.2MF	10%		4V
C210	1-163-015-00	CERAMIC CHIP 0.0033MF	5%			C608	1-162-638-11	CERAMIC CHIP 1MF			16V
C211	1-135-183-11	TANTAL. CHIP 4.7MF	20%			C609	1-135-183-11	TANTAL. CHIP 4.7MF	20%		4V
C212	1-163-009-11	CERAMIC CHIP 0.001MF	10%			CN301	1-568-255-11	JACK, EXTERNAL POWER 1P (DC IN 1.5V)			
C213	1-163-009-11	CERAMIC CHIP 0.001MF	10%			CN302	1-568-253-11	(AF604/BF604)...HOUSING, CONNECTOR 7P			
C214	1-126-603-11	ELECT 4.7MF	20%			D301	8-719-404-16	(AF604/BF604)...DIODE MA713			
C215	1-135-183-11	TANTAL. CHIP 4.7MF	20%			D401	8-719-976-16	DIODE GL2PR90			
C216	1-163-145-00	CERAMIC CHIP 0.0015MF	10%			HP901	1-543-605-11	HEAD, MAGNETIC (PLAYBACK)			
C217	1-163-038-00	CERAMIC CHIP 0.1MF				IC301	8-759-231-86	IC TA8159FN			
C301	1-126-607-11	ELECT 47MF	20%			IC302	8-759-230-90	IC TA7793FN			
C302	1-163-038-00	CERAMIC CHIP 0.1MF				IC303	8-759-805-09	IC CXA1249M			
						IC601	8-759-821-20	IC LB1672M			
						J301	1-568-254-11	JACK 1P (PHONES)			

Ref.No.	Part No.	Description
JR1	1-216-295-00	(A602/B602)...METAL GLAZE 0 5% 1/10W
JR2	1-216-295-00	(A602/B602)...METAL GLAZE 0 5% 1/10W
JR3	1-216-295-00	(A602/B602)...METAL GLAZE 0 5% 1/10W
L101	1-410-997-31	(AF604/BF604)...INDUCTOR CHIP 2.2UH
L201	1-410-997-31	(AF604/BF604)...INDUCTOR CHIP 2.2UH
L301	1-410-997-31	(AF604/BF604)...INDUCTOR CHIP 2.2UH
M901	1-541-660-11	MOTOR
Q301	8-729-807-87	TRANSISTOR 2SB1295-UL6
Q302	8-729-805-38	TRANSISTOR 2SC3863
Q303	8-729-421-23	(AF604/BF604)...TRANSISTOR XN1216
Q304	8-729-271-22	TRANSISTOR 2SC2712G
Q305	8-729-216-22	TRANSISTOR 2SA1162
Q401	8-729-421-23	TRANSISTOR XN1216
Q402	8-729-402-75	TRANSISTOR XN5501
R101	1-216-097-00	METAL GLAZE 100K 5% 1/10W
R102	1-216-097-00	METAL GLAZE 100K 5% 1/10W
R103	1-216-117-00	METAL GLAZE 680K 5% 1/10W
R104	1-216-083-00	METAL GLAZE 27K 5% 1/10W
R105	1-216-086-00	METAL GLAZE 36K 5% 1/10W
R106	1-216-048-00	METAL GLAZE 910 5% 1/10W
R107	1-216-093-00	METAL GLAZE 68K 5% 1/10W
R108	1-216-085-00	METAL GLAZE 33K 5% 1/10W
R109	1-216-085-00	METAL GLAZE 33K 5% 1/10W
R110	1-216-076-00	METAL GLAZE 13K 5% 1/10W
R111	1-216-111-00	METAL GLAZE 390K 5% 1/10W
R113	1-216-070-00	(AF604/BF604) ...METAL GLAZE 7.5K 5% 1/10W
R114	1-216-097-00	METAL GLAZE 100K 5% 1/10W
R115	1-216-073-00	METAL GLAZE 10K 5% 1/10W
R117	1-216-089-00	METAL GLAZE 47K 5% 1/10W
R118	1-216-308-00	METAL GLAZE 4.7 5% 1/10W
R201	1-216-097-00	METAL GLAZE 100K 5% 1/10W
R202	1-216-097-00	METAL GLAZE 100K 5% 1/10W
R203	1-216-117-00	METAL GLAZE 680K 5% 1/10W
R204	1-216-083-00	METAL GLAZE 27K 5% 1/10W
R205	1-216-086-00	METAL GLAZE 36K 5% 1/10W
R206	1-216-048-00	METAL GLAZE 910 5% 1/10W
R207	1-216-093-00	METAL GLAZE 68K 5% 1/10W
R208	1-216-085-00	METAL GLAZE 33K 5% 1/10W
R209	1-216-085-00	METAL GLAZE 33K 5% 1/10W
R210	1-216-076-00	METAL GLAZE 13K 5% 1/10W
R211	1-216-111-00	METAL GLAZE 390K 5% 1/10W
R213	1-216-070-00	(AF604/BF604) ...METAL GLAZE 7.5K 5% 1/10W
R214	1-216-097-00	METAL GLAZE 100K 5% 1/10W
R215	1-216-073-00	METAL GLAZE 10K 5% 1/10W
R217	1-216-089-00	METAL GLAZE 47K 5% 1/10W
R218	1-216-308-00	METAL GLAZE 4.7 5% 1/10W
R301	1-216-079-00	METAL GLAZE 18K 5% 1/10W
R302	1-216-053-00	METAL GLAZE 1.5K 5% 1/10W
R303	1-216-057-00	METAL GLAZE 2.2K 5% 1/10W
R304	1-216-065-00	METAL GLAZE 4.7K 5% 1/10W
R305	1-216-083-00	METAL GLAZE 27K 5% 1/10W
R306	1-216-089-00	METAL GLAZE 47K 5% 1/10W
R307	1-216-057-00	(AF604/BF604) ...METAL GLAZE 2.2K 5% 1/10W
R308	1-216-037-00	(AF604/BF604) ...METAL GLAZE 330 5% 1/10W
R309	1-216-037-00	METAL GLAZE 330 5% 1/10W
R310	1-216-049-00	METAL GLAZE 1K 5% 1/10W

Ref.No.	Part No.	Description
R311	1-216-067-00	METAL GLAZE 5.6K 5% 1/10W
R312	1-216-067-00	METAL GLAZE 5.6K 5% 1/10W
R313	1-216-097-00	METAL GLAZE 100K 5% 1/10W
R314	1-216-085-00	METAL GLAZE 33K 5% 1/10W
R315	1-216-065-00	METAL GLAZE 4.7K 5% 1/10W
R401	1-216-041-00	METAL GLAZE 470 5% 1/10W
R402	1-216-081-00	METAL GLAZE 22K 5% 1/10W
R403	1-216-033-00	METAL GLAZE 220 5% 1/10W
R404	1-216-033-00	METAL GLAZE 220 5% 1/10W
R405	1-216-081-00	METAL GLAZE 22K 5% 1/10W
R406	1-216-049-00	METAL GLAZE 1K 5% 1/10W
R601	1-216-029-00	METAL GLAZE 150 5% 1/10W
R602	1-216-105-00	METAL GLAZE 220K 5% 1/10W
R603	1-216-073-00	METAL GLAZE 10K 5% 1/10W
R604	1-216-076-00	METAL GLAZE 13K 5% 1/10W
R605	1-216-049-00	METAL GLAZE 1K 5% 1/10W
R606	1-216-064-00	METAL GLAZE 4.3K 5% 1/10W
RV301	1-238-488-11	RES, VAR, CARBON 10K/10K (VOLUME)
RV601	1-238-202-11	RES, ADJ, METAL GLAZE 2.2K (SPEED)
S301	1-571-277-11	SWITCH, SLIDE (TAPE)
S302	1-571-275-11	SWITCH, SLIDE (DOLBY NR)
S303	1-571-506-11	SWITCH, SLIDE (DBB)
S901	1-571-585-11	SWITCH, PUSH (1 KEY)(POWER)
S902	1-571-585-11	SWITCH, PUSH (1 KEY)(PLAY)
S903	1-571-585-11	SWITCH, PUSH (1 KEY)(FWD/RVS)

ACCESSORY & PACKING MATERIAL

△1-528-224-11	(AF604:Canadian)...BATTERY CHARGER (BC-7F)
1-528-176-11	(A602/AF604)...BATTERY, STORAGE (NC-5WM)
△1-528-221-21	(A602/AF604:US)...BATTERY CHARGER (BC-7F)
3-347-262-01	(AF604:Canadian)...CASE, CARRYING
*3-352-066-01	(A602)...CUSHION (UPPER)
*3-352-067-01	(A602/AF604)...CUSHION (LOWER)
*3-352-070-01	(AF604)...CUSHION (UPPER)
*3-352-091-01	(B602)...CUSHION (UPPER)
*3-352-092-01	(BF604/B602)...CUSHION (LOWER)
*3-352-096-01	(BF604)...CUSHION (UPPER)
*3-352-068-01	(A602)...INDIVIDUAL CARTON
*3-352-071-01	(AF604)...INDIVIDUAL CARTON
*3-352-074-01	(B602:AEP,UK)...INDIVIDUAL CARTON
*3-352-076-01	(BF604:AEP,UK,WG,IT)...INDIVIDUAL CARTON
*3-352-093-01	(B602:E)...INDIVIDUAL CARTON
*3-352-097-01	(BF604:E)...INDIVIDUAL CARTON
3-750-105-11	(B602)...MANUAL, INSTRUCT IQ
3-750-105-21	(A602)...MANUAL, INSTRUCT IQ
3-750-105-41	(B602:AEP)...MANUAL, INSTRUCT IQ
3-750-110-11	(AF604:Canadian/BF604) ...MANUAL, INSTRUCT IQ
3-750-110-21	(AF604:US)...MANUAL, INSTRUCT IQ
3-750-110-41	(BF604:AEP,WG,IT)...MANUAL, INSTRUCT IQ
8-952-260-92	(A602/AF604/BF604:AEP,UK,WG,IT/ B602:AEP,UK)...MDR-W10L/1 SF
8-952-350-90	(B602/BF604:E)...EARPHONE MDR-E454 SF
X-3352-016-1	CLIP ASSY, BELT

Note:
The components identified by mark △ or dotted line with mark △ are critical for safety. Replace only with part number specified.

Note:
Les composants identifiés par une marque △ sont critiques pour la sécurité. Ne les remplacer que par une pièce portant le numéro spécifié.