

TA-H2600

SERVICE MANUAL

*US Model
Canadian Model
AEP Model
UK Model
E Model
Australian Model*



This set is the Amplifier section in MHC-2600 and FH-E737CD.

SPECIFICATIONS

AUDIO POWER SPECIFICATIONS (US model)

POWER OUTPUT AND TOTAL HARMONIC DISTORTION:

With 6 ohm loads both channels driven, from 70 - 20000 Hz; rated 30 watts per channel minimum RMS power, with no more than 1% total harmonic distortion from 250 milliwatts to rated output.

Continuous RMS power output
30 + 30 watts (6 ohms at 1 kHz, DIN)
35 + 35 watts (6 ohms at 1 kHz, 5% THD)

Music power output
55 + 55 watts (6 ohms at 1 kHz, 10% THD)

Peak music power output (E, Saudi Arabia model)

330 watts
Inputs
MIX MIC (minijack)
sensitivity 1 mV,
impedance 600 ohms
ADAPTOR (pin jacks)
(E, Saudi Arabia model)
sensitivity 300 mV,
impedance 47 kilohms
Outputs
HEADPHONES
(stereo minijack):
accepts headphones of
8 ohms or more.
ADAPTOR (pin jacks)
(E, Saudi Arabia model)
output level 300 mV
impedance 10 kilohms

Design and specifications subject to change without notice.



STEREO AMPLIFIER
SONY®

SAFETY CHECK-OUT

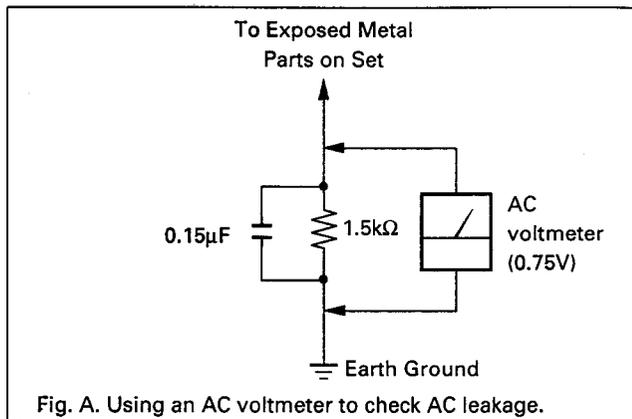
After correcting the original service problem, perform the following safety check before releasing the set to the customer: Check the antenna terminals, metal trim, "metallized" knobs, screws, and all other exposed metal parts for AC leakage. Check leakage as described below.

LEAKAGE TEST

The AC leakage from any exposed metal part to earth ground and from all exposed metal parts to any exposed metal part having a return to chassis, must not exceed 0.5mA (500 microamperes). Leakage current can be measured by any one of three methods.

1. A commercial leakage tester, such as the Simpson 229 or RCA WT-540A. Follow the manufacturers' instructions to use these instruments.
2. A battery-operated AC milliammeter. The Data Precision 245 digital multimeter is suitable for this job.

3. Measuring the voltage drop across a resistor by means of a VOM or battery-operated AC voltmeter. The "limit" indication is 0.75V, so analog meters must have an accurate low-voltage scale. The Simpson 250 and Sanwa SH-63Trd are examples of a passive VOM that is suitable. Nearly all battery operated digital multimeters that have a 2V AC range are suitable. (See Fig.A)



SAFETY-RELATED COMPONENT WARNING!!

COMPONENTS IDENTIFIED BY MARK Δ OR DOTTED LINE WITH MARK Δ ON THE SCHEMATIC DIAGRAMS AND IN THE PARTS LIST ARE CRITICAL TO SAFE OPERATION. REPLACE THESE COMPONENTS WITH SONY PARTS WHOSE PART NUMBERS APPEAR AS SHOWN IN THIS MANUAL OR IN SUPPLEMENTS PUBLISHED BY SONY.

ATTENTION AU COMPOSANT AYANT RAPPORT À LA SÉCURITÉ!

LES COMPOSANTS IDENTIFIÉS PAR UNE MARQUE Δ SUR LES DIAGRAMMES SCHÉMATIQUES ET LA LISTE DES PIÈCES SONT CRITIQUES POUR LA SÉCURITÉ DE FONCTIONNEMENT. NE REMPLACER SES COMPOSANTS QUE PAR DES PIÈCES SONY DONT LES NUMÉROS SONT DONNÉS DANS CE MANUEL OU DANS LES SUPPLÉMENTS PUBLIÉS PAR SONY.

TABLE OF CONTENTS

| <u>Section</u> | <u>Title</u> | <u>Page</u> | <u>Section</u> | <u>Title</u> | <u>Page</u> |
|-----------------------------|--|-------------|---------------------------------------|---|-------------|
| 1. GENERAL | | | | | |
| | Location of Controls | 3 | 3-5. | Printed Wiring Boards - Panel, Power section - | 16 |
| 2. DISASSEMBLY | | 4 | 3-6. | Schematic Diagram - Panel, Power section - | 21 |
| 3. DIAGRAMS | | | 3-7. | IC Block Diagrams | 25 |
| 3-1. | Circuit Boards Location | 6 | 3-8. | Pin Functions of IC501 | 28 |
| 3-2. | Semiconductor Lead Layouts | 7 | 4. EXPLODED VIEW | | 30 |
| 3-3. | Printed Wiring Boards - Main section - | 9 | 5. ELECTRICAL PARTS LIST | | 32 |
| 3-4. | Schematic Diagram - Main section - | 11 | | | |

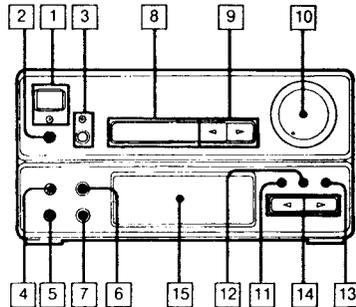
SECTION 1

GENERAL

LOCATION OF CONTROLS

This section is extracted from instruction manual.

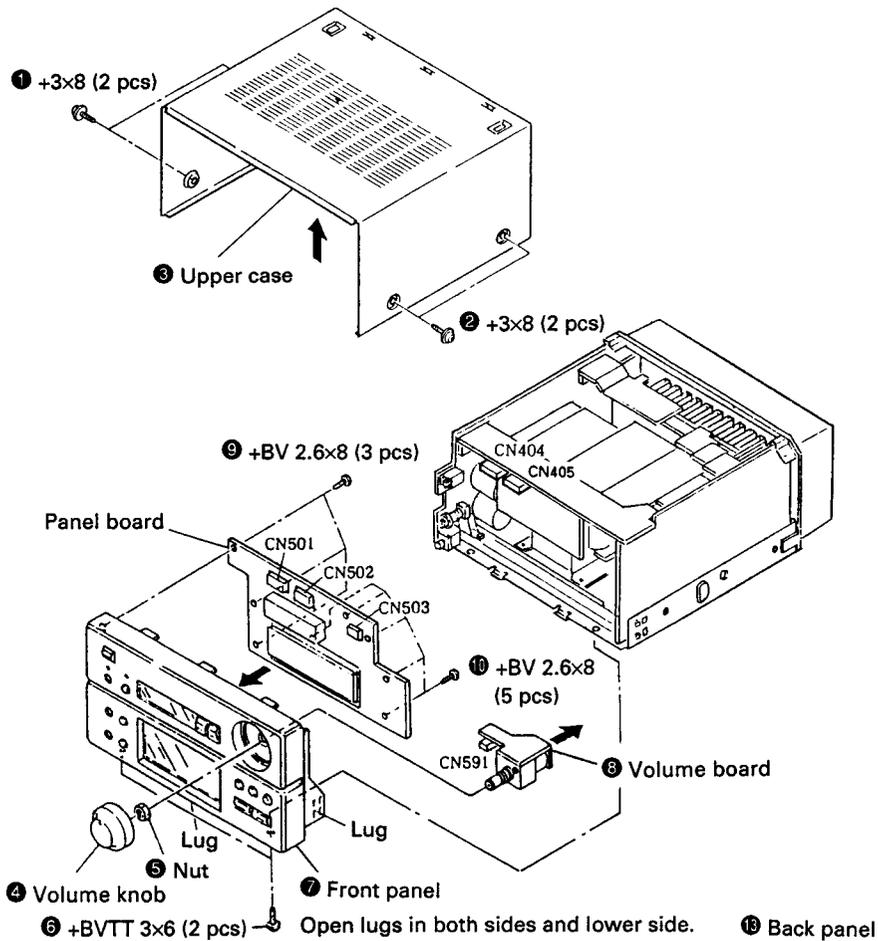
- 1 SYSTEM POWER switch and STANDBY indicator
The indicator remains lit as long as the AC power cord is connected to a wall outlet.
- 2 HEADPHONES jack (stereo minijack)
- 3 WAKE UP button and indicator
- 4 MIC (microphone) LEVEL control
- 5 MIX MIC (microphone) input jack
- 6 DISPLAY button
- 7 DIRECT button
- 8 Function indication display
- 9 FUNCTION <> buttons
- 10 VOLUME control
- 11 EQ (equalizer) button and indicator
- 12 S-SUR (simulated surround) button and indicator
- 13 DBFB (Dynamic Bass Feedback) button and indicator
- 14 PRESET <|> buttons
- 15 Display window



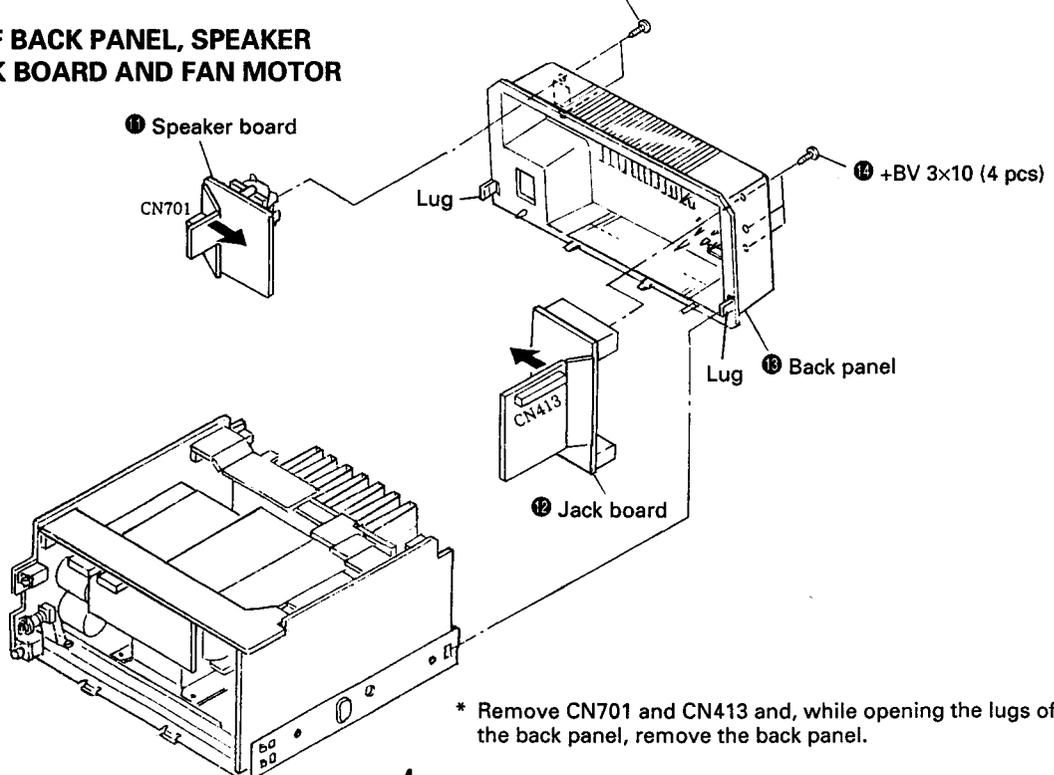
SECTION 2 DISASSEMBLY

- Remove the following parts with the numbers in that order of the numbers.

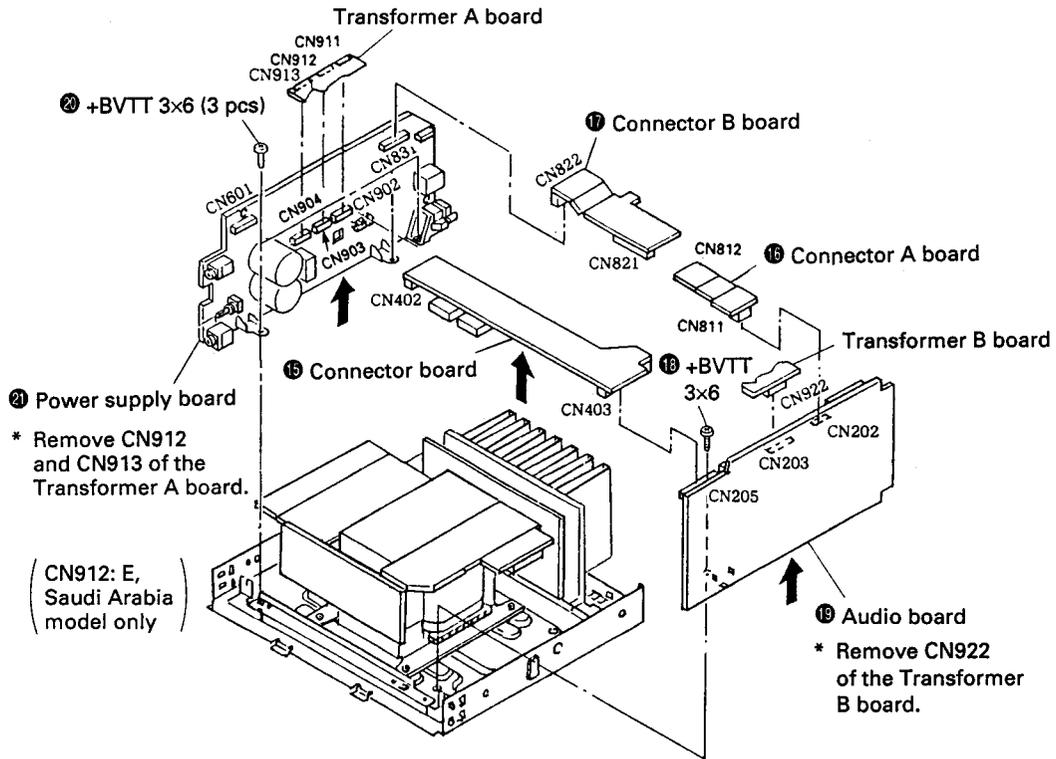
2-1. REMOVAL OF UPPER CASE, FRONT PANEL AND PANEL BOARD



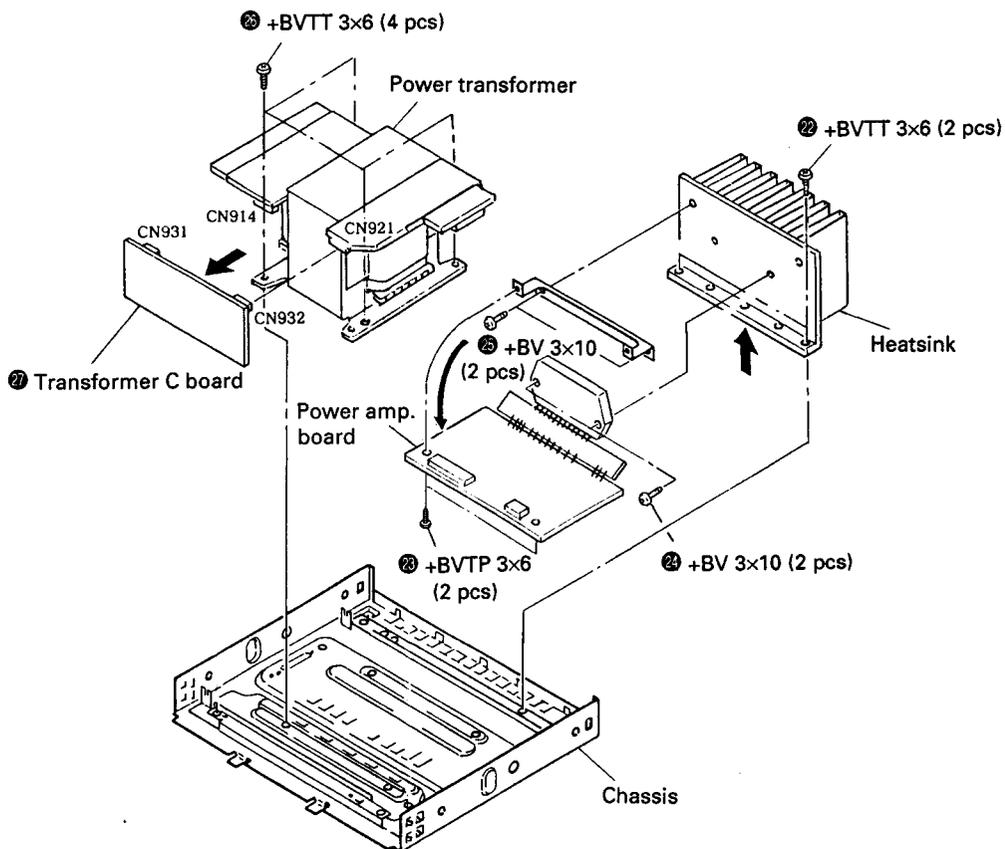
2-2. REMOVAL OF BACK PANEL, SPEAKER BOARD, JACK BOARD AND FAN MOTOR



2-3. REMOVAL OF AUDIO BOARD, POWER SUPPLY BOARD, CONNECTOR BOARD AND TRANSFORMER BOARD

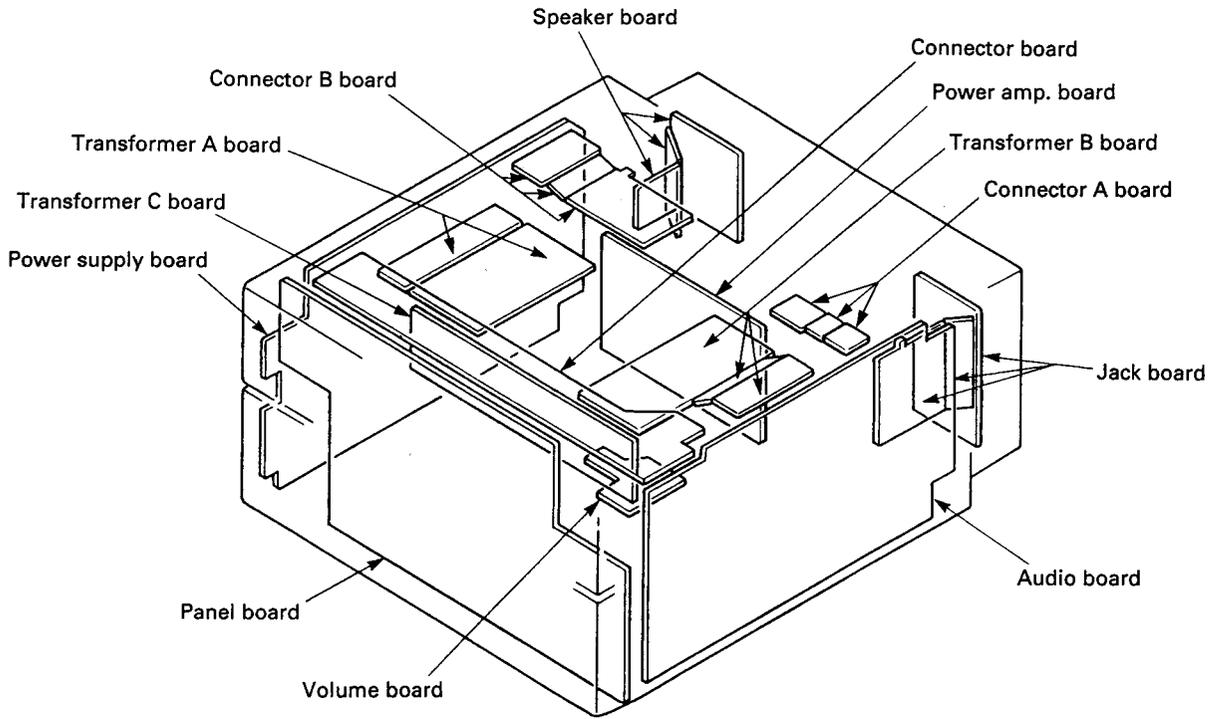


2-4. REMOVAL OF POWER TRANSFORMER, POWER AMP. BOARD, TRANSFORMER C BOARD AND HEATSINK



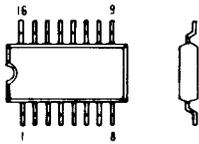
SECTION 3 DIAGRAMS

3-1. CIRCUIT BOARDS LOCATION

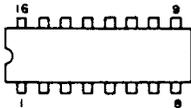


3-2. SEMICONDUCTOR LEAD LAYOUTS

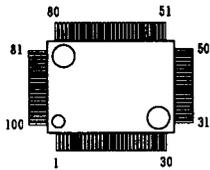
**CD4052BCM
HD14053BFP**



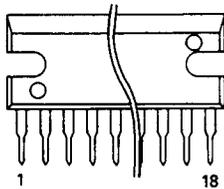
XR1091DCP



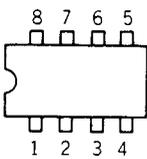
CXA1492Q



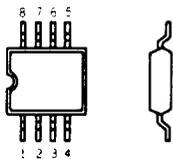
LA5603



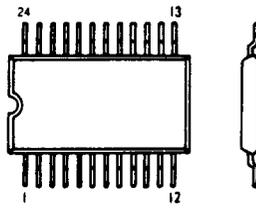
**LB1639
X24C01P**



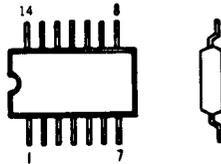
M5218AFP



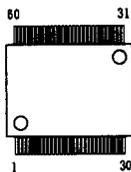
M66311FP



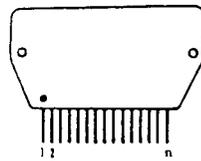
SN74HC04ANS



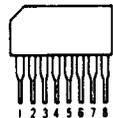
SN755703



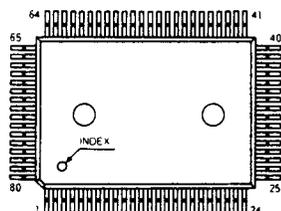
**STK4142MK2
STK4152MK2**



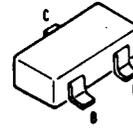
μPC1237HA



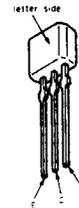
μPD78134-D29-3B9



**2SA1162-G
2SA1342
2SC3052-EF
2SC3396
2SC3624-L18**



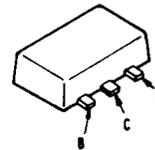
2SA1175-HFE



2SC1841-PAFAEA



**2SB1121-ST
2SD1622-S**



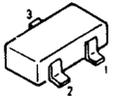
2SC2603-EF



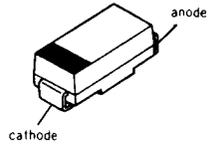
2SD2012



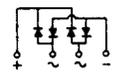
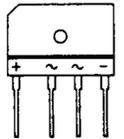
DCA010



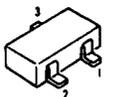
EC10DS2



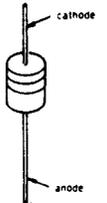
RBA-402



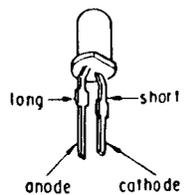
**RD13M-B1
RD5.1M-B2
RD30M-B
RD36M-B**



1SS120



SEL2210S-CD



● SEMICONDUCTOR LOCATION

• MAIN BOARD

| Ref. No | Location | Ref. No | Location |
|---------|----------|---------|----------|
| D291 | E-13 | Q312 | B-14 |
| D294 | E-13 | Q321 | C-14 |
| D311 | B-14 | Q322 | G-12 |
| D312 | B-14 | Q323 | B-14 |
| D331 | E-14 | Q341 | B-13 |
| D341 | B-13 | Q342 | B-12 |
| D342 | B-13 | Q371 | C-14 |
| D501 | H-14 | Q373 | B-14 |
| D502 | G-13 | Q501 | G-13 |
| D503 | I-14 | Q502 | H-13 |
| D504 | I-14 | Q921 | H-12 |
| D505 | F-11 | Q931 | F-13 |
| D911 | F-12 | Q932 | F-13 |
| D912 | G-12 | Q941 | G-14 |
| D913 | F-12 | Q951 | G-14 |
| D914 | G-12 | | |
| D931 | F-12 | | |
| D932 | F-12 | | |
| D933 | F-12 | | |
| D941 | G-13 | | |
| D942 | G-13 | | |
| D951 | G-13 | | |
| D952 | G-14 | | |
| D953 | G-14 | | |
| IC201 | D-13 | | |
| IC301 | B-12 | | |
| IC303 | A-13 | | |
| IC304 | A-14 | | |
| IC305 | C-15 | | |
| IC501 | H-12 | | |
| IC502 | I-14 | | |
| IC503 | H-14 | | |
| IC601 | C-14 | | |
| IC901 | F-13 | | |
| Q292 | E-13 | | |
| Q293 | E-12 | | |
| Q311 | B-15 | | |

Note:

- ○ — : indicated a lead wire mounted on the component si
- ■ : parts mounted on the conductor side.
- ● : Through hole.
- [Pattern] : Pattern from the side which enables seeing.
- [Pattern] : Pattern of the rear side.

A

B

C

D

E

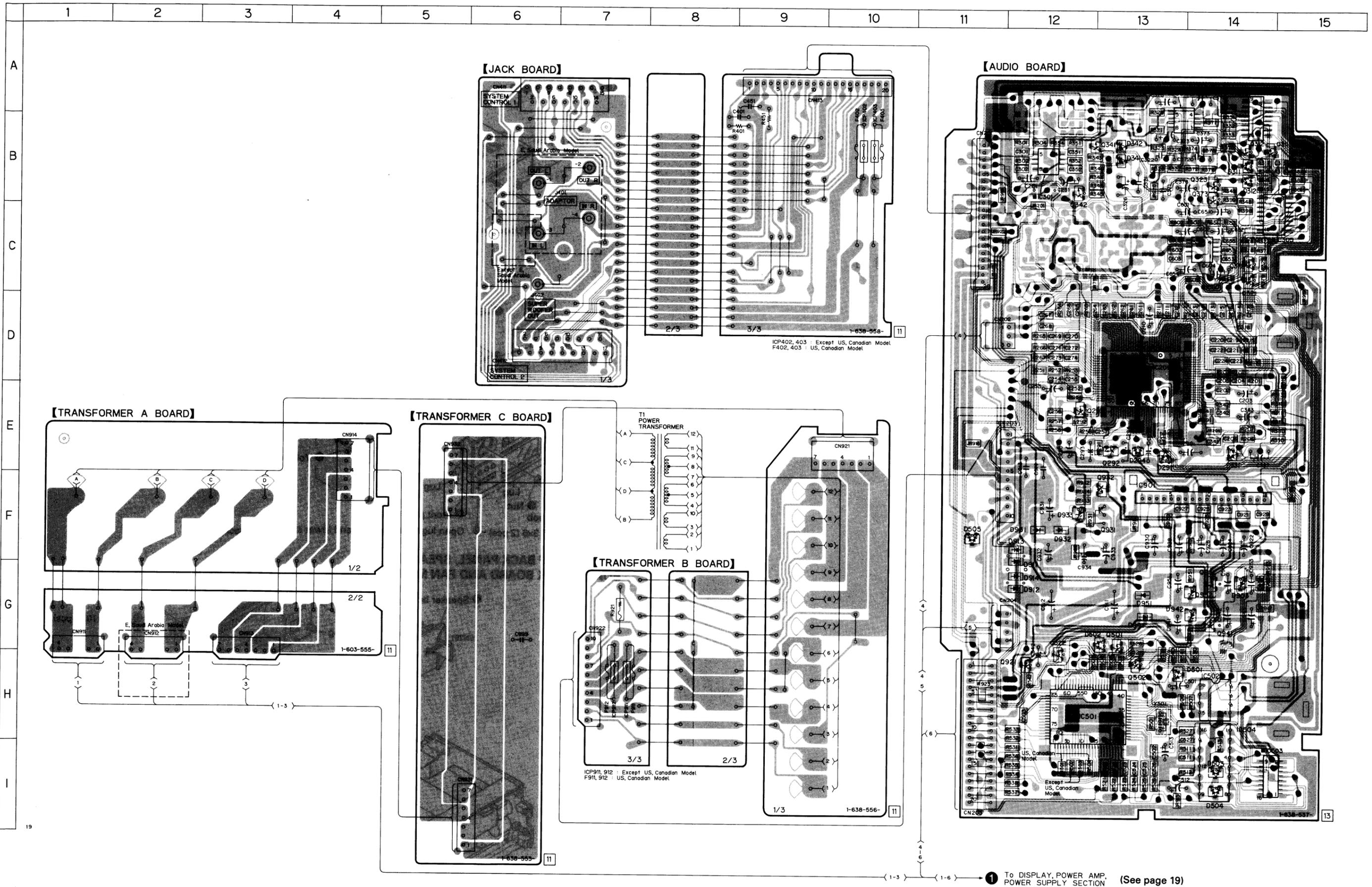
F

G

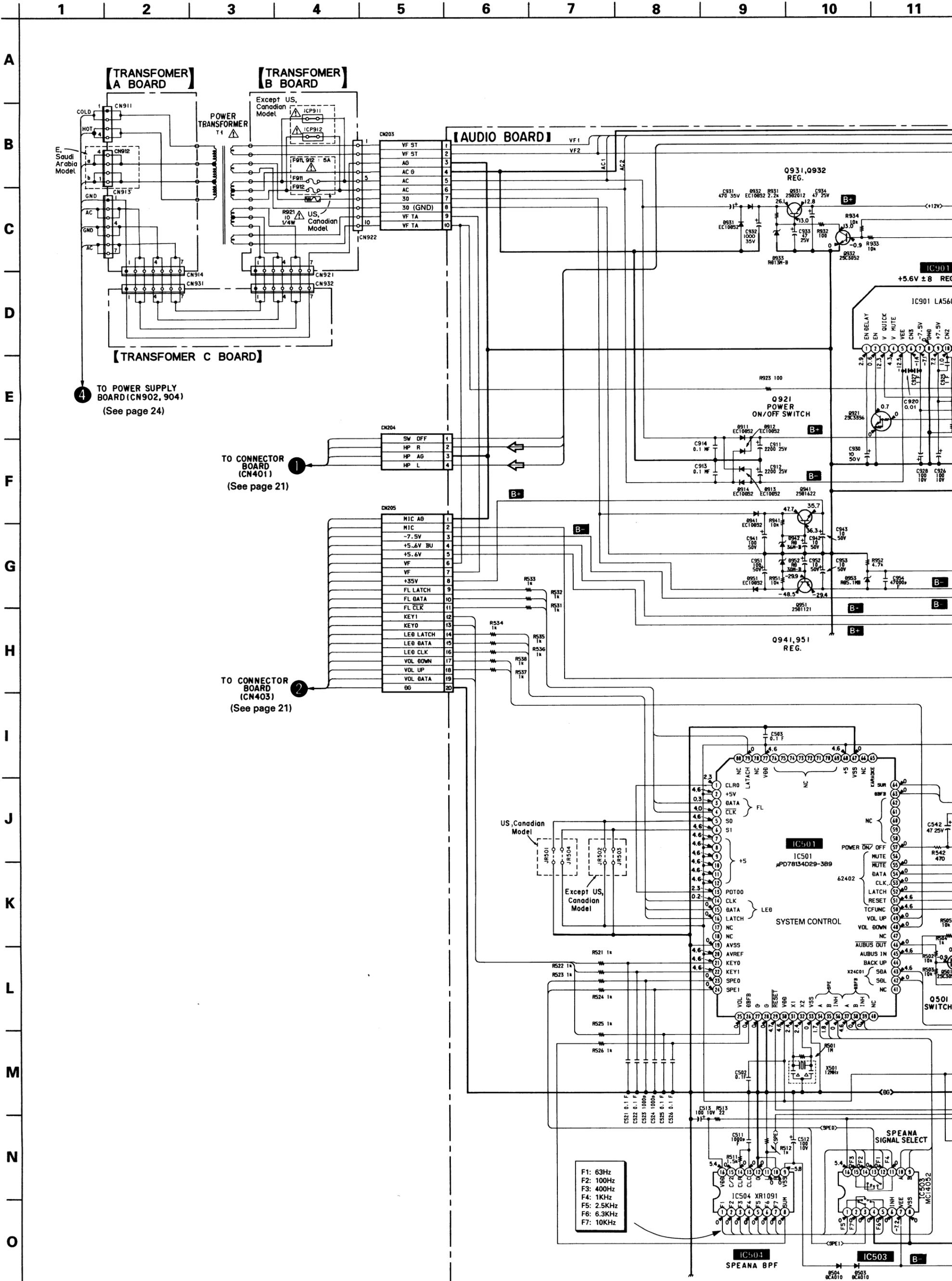
H

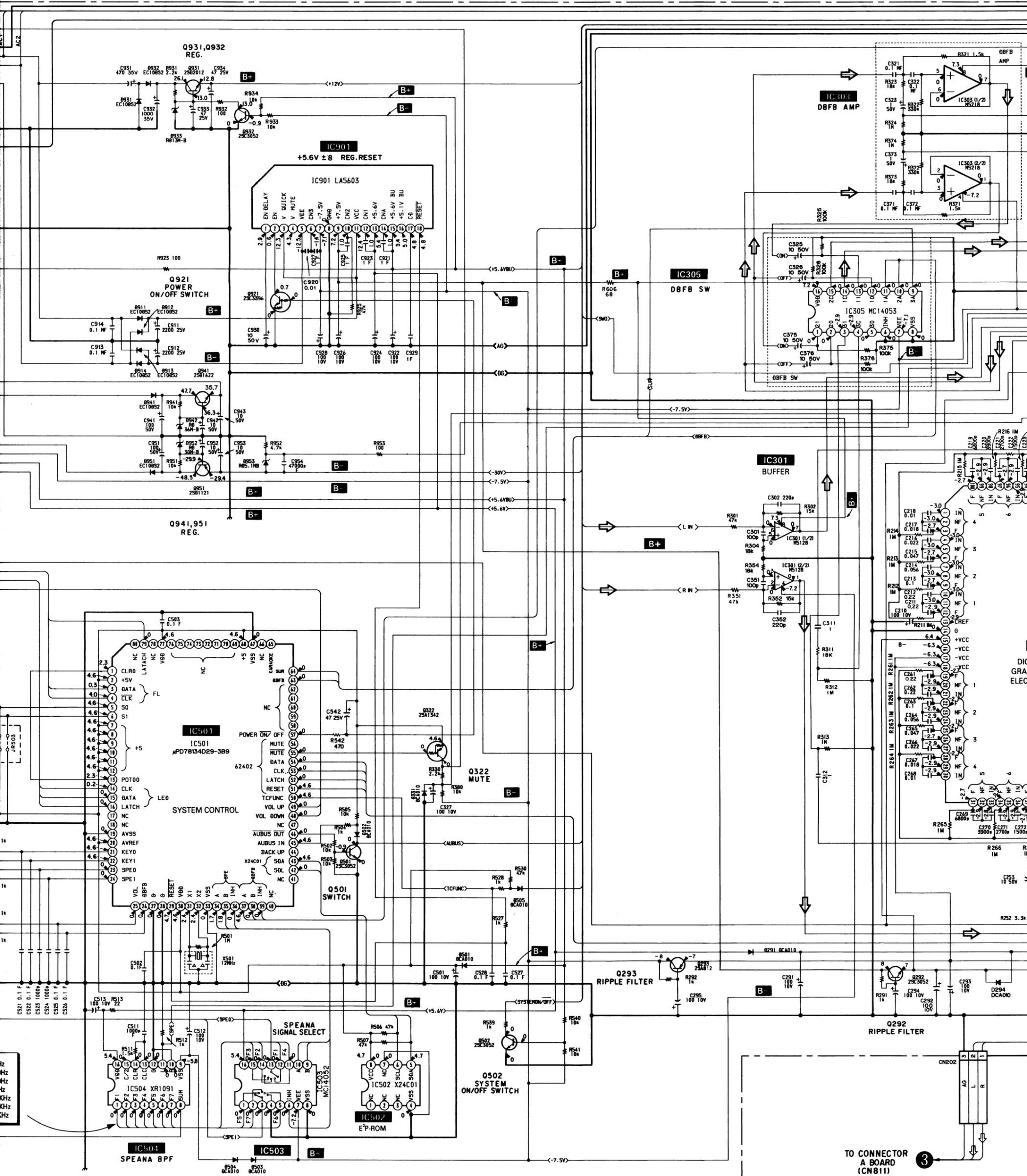
I

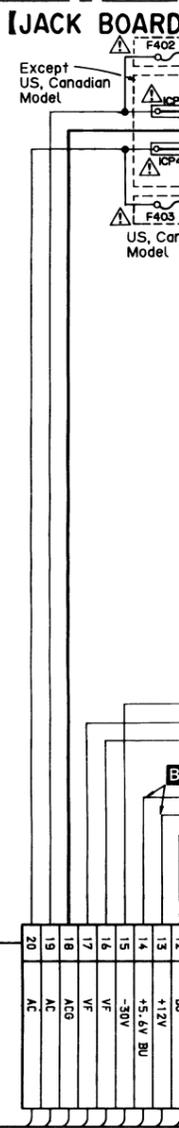
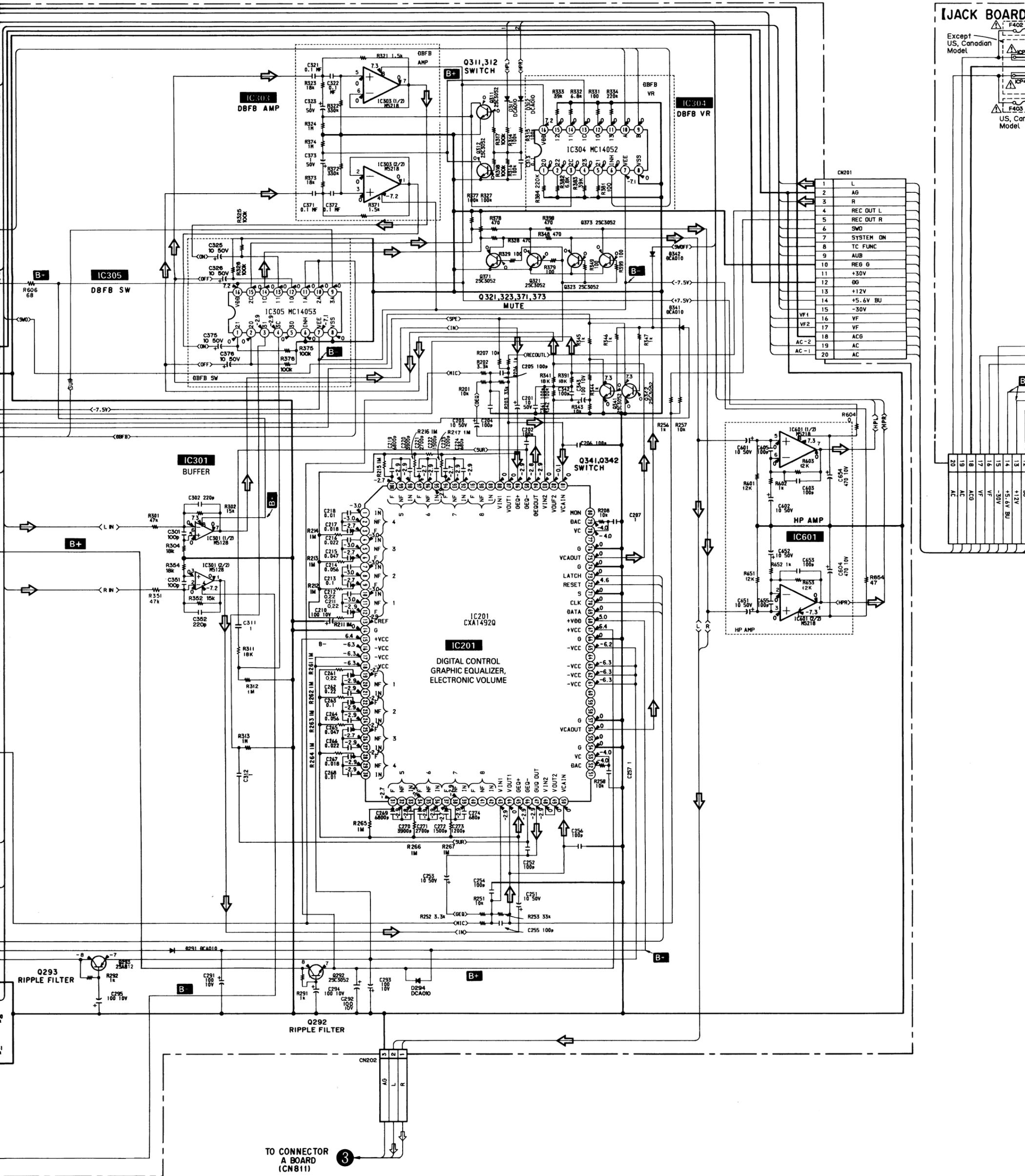
3-3. PRINTED WIRING BOARDS - MAIN SECTION -



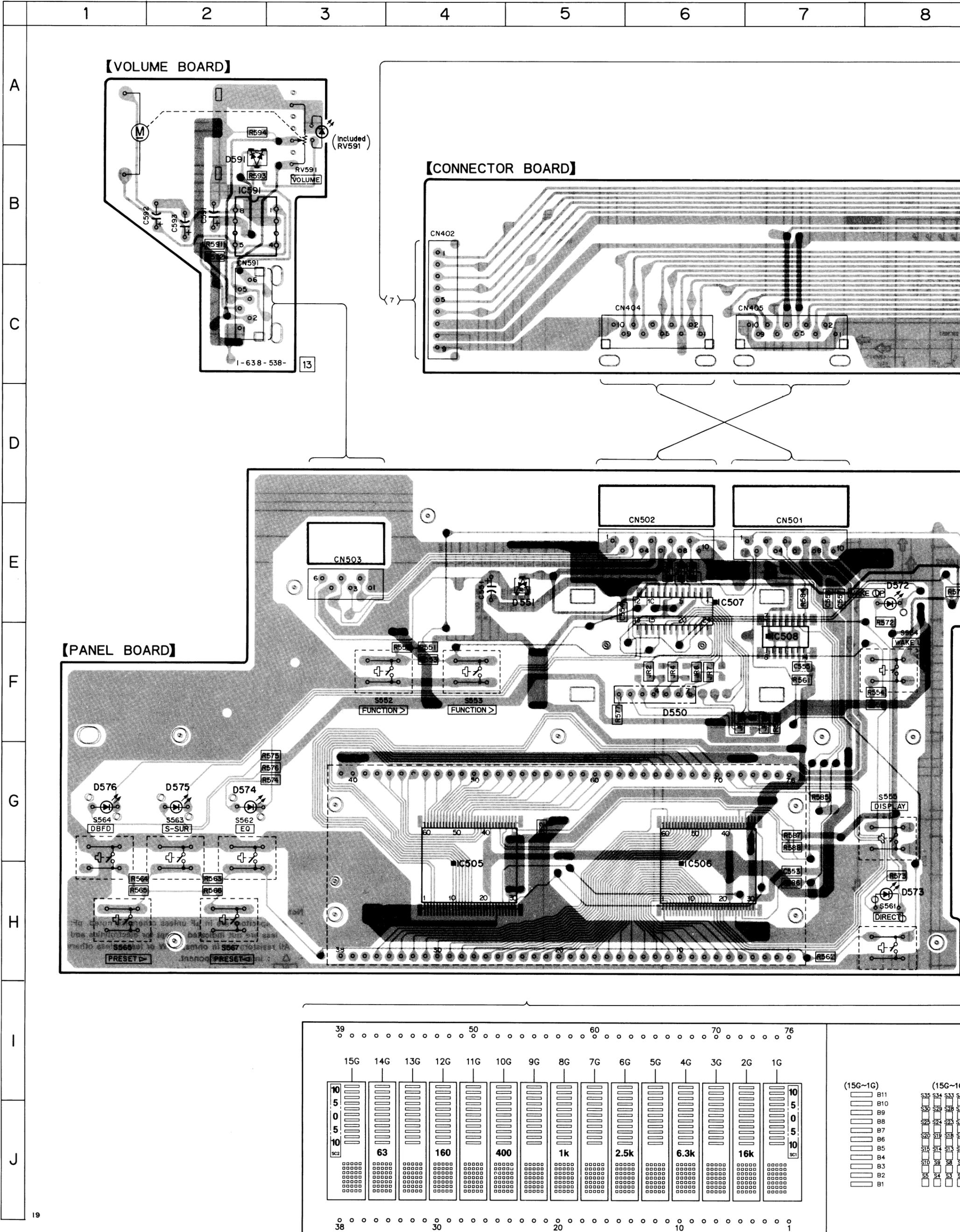
3-4. SCHEMATIC DIAGRAM - MAIN SECTION -

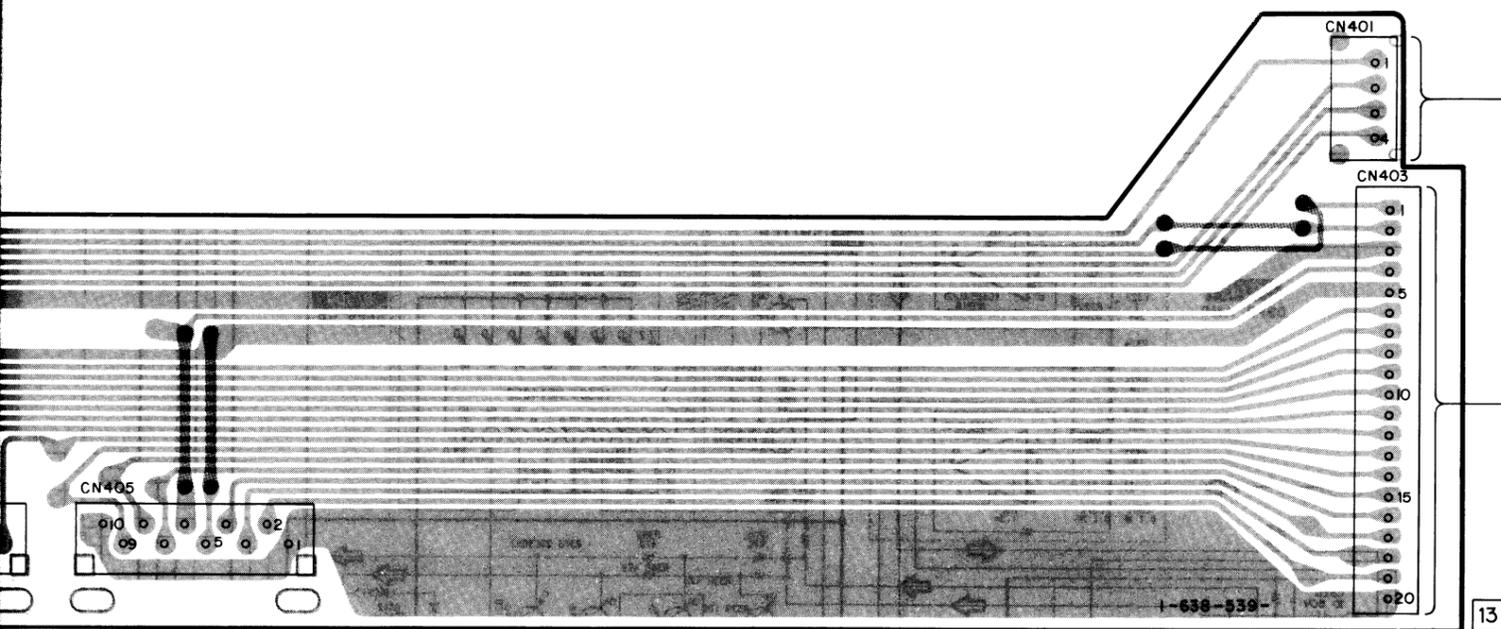




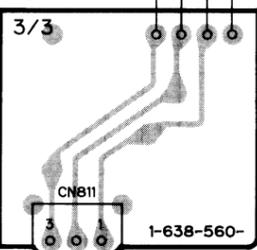
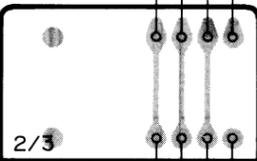
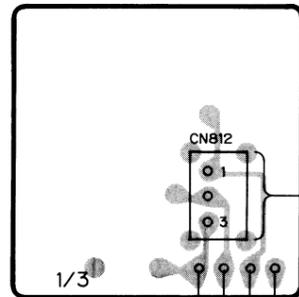


3-5. PRINTED WIRING BOARDS - PANEL, POWER SECTION -

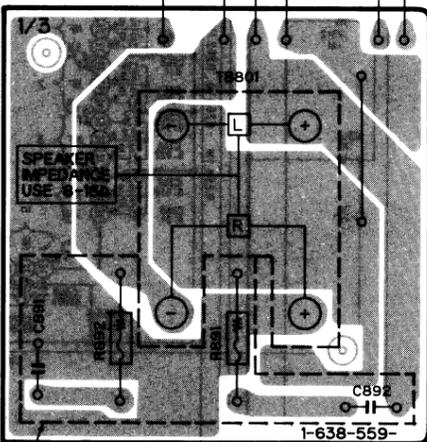
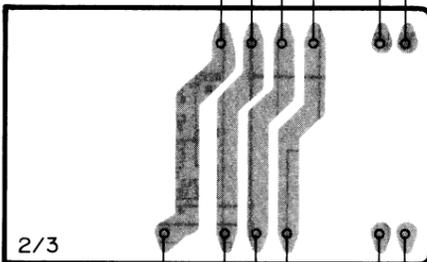
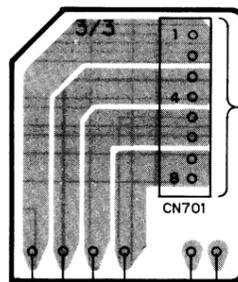




[CONNECTOR A BOARD]

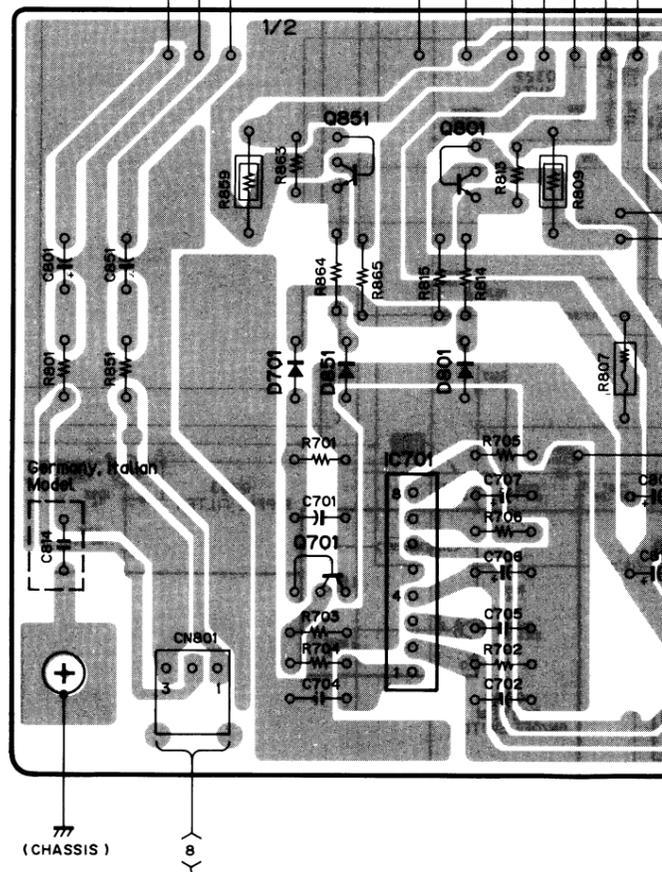
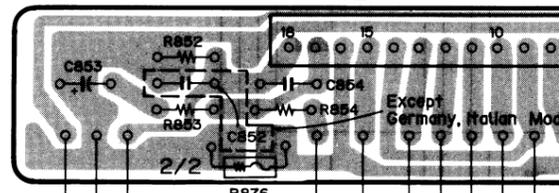


[SPEAKER BOARD]

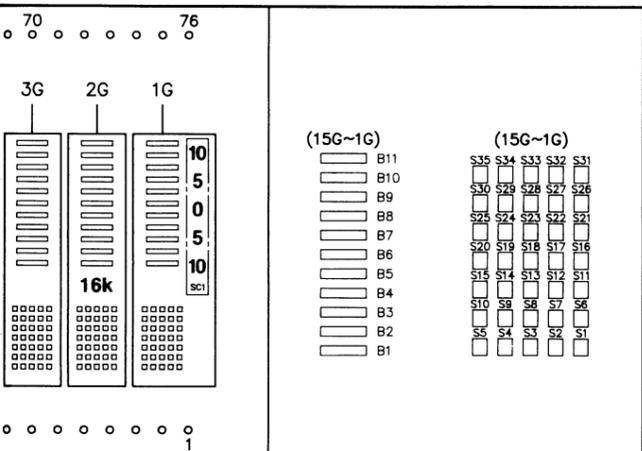
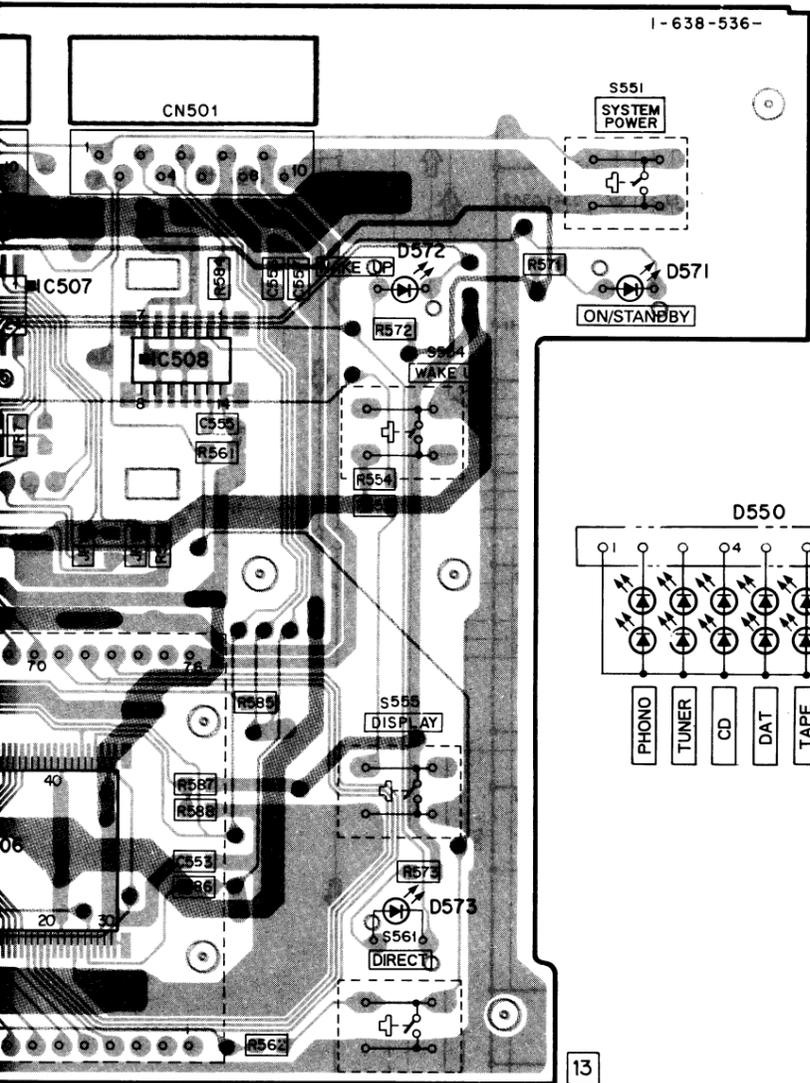


Germany, Italian Model

[POWER AMP BOARD]

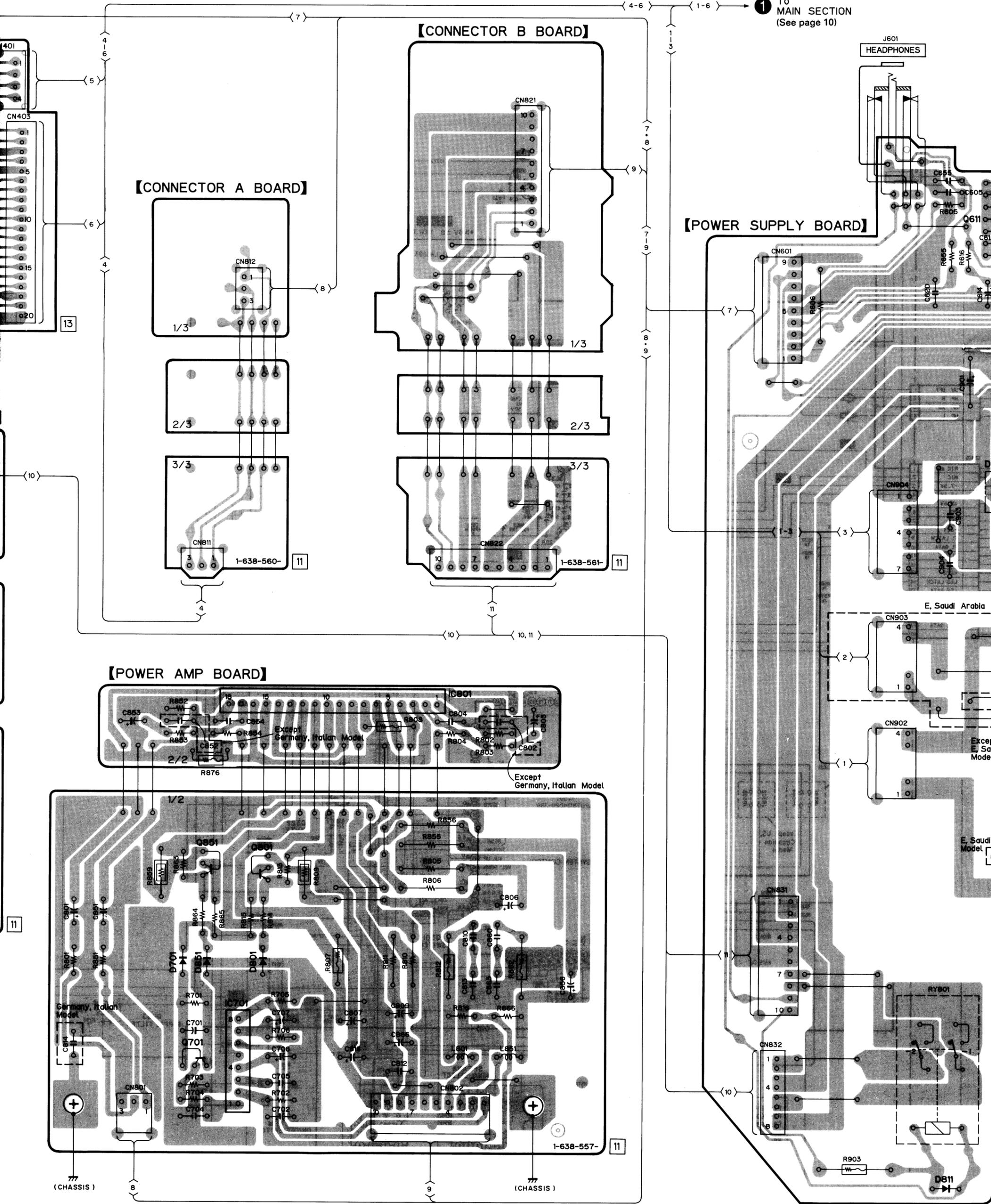


(CHASSIS)

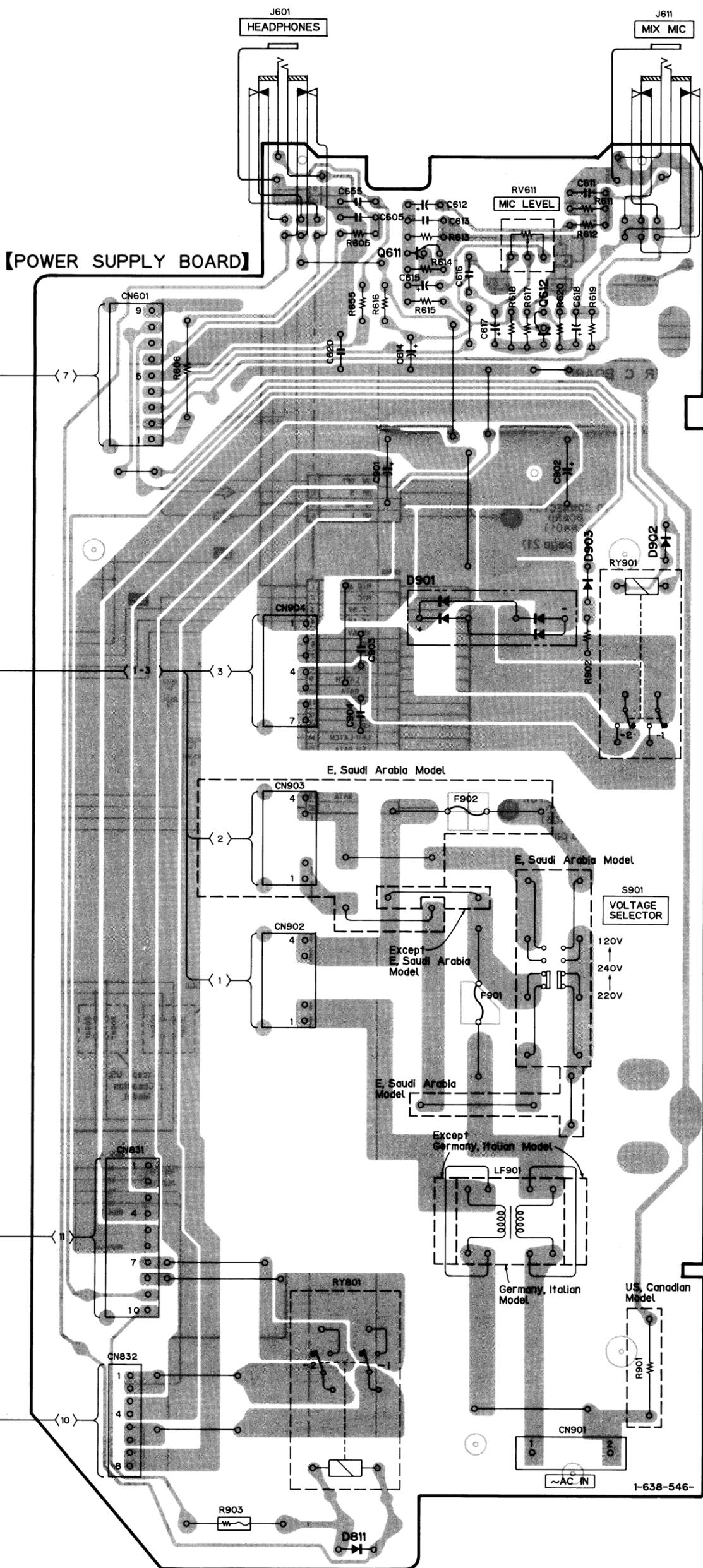


FL 501
FL DISPLAY

1 To MAIN SECTION (See page 10)



1 To MAIN SECTION (See page 10)



● SEMICONDUCTOR LOCATION

• PANEL/POWER AMP/POWER SUPPLY BOARD

| Ref. No | Location | Ref. No | Location |
|---------|----------|---------|----------|
| D550 | F-6 | IC505 | H-4 |
| D551 | E-5 | IC506 | H-6 |
| D571 | E-9 | IC507 | E-6 |
| D572 | E-8 | IC508 | F-7 |
| D573 | H-8 | IC591 | B-2 |
| D574 | G-2 | IC701 | I-13 |
| D575 | G-2 | IC801 | F-15 |
| D576 | G-1 | | |
| D591 | B-2 | Q611 | B-19 |
| D701 | I-13 | Q612 | C-20 |
| | | Q701 | I-13 |
| D801 | I-13 | Q801 | H-14 |
| D811 | J-19 | Q851 | H-13 |
| D851 | I-13 | | |
| D901 | E-20 | | |
| D902 | D-21 | | |
| D903 | D-21 | | |

Note:

- : indicated a lead wire mounted on the component side.
- : parts mounted on the conductor side.
- : Through hole.
- ▨: Pattern from the side which enables seeing.
- ▩: Pattern of the rear side.

Note:

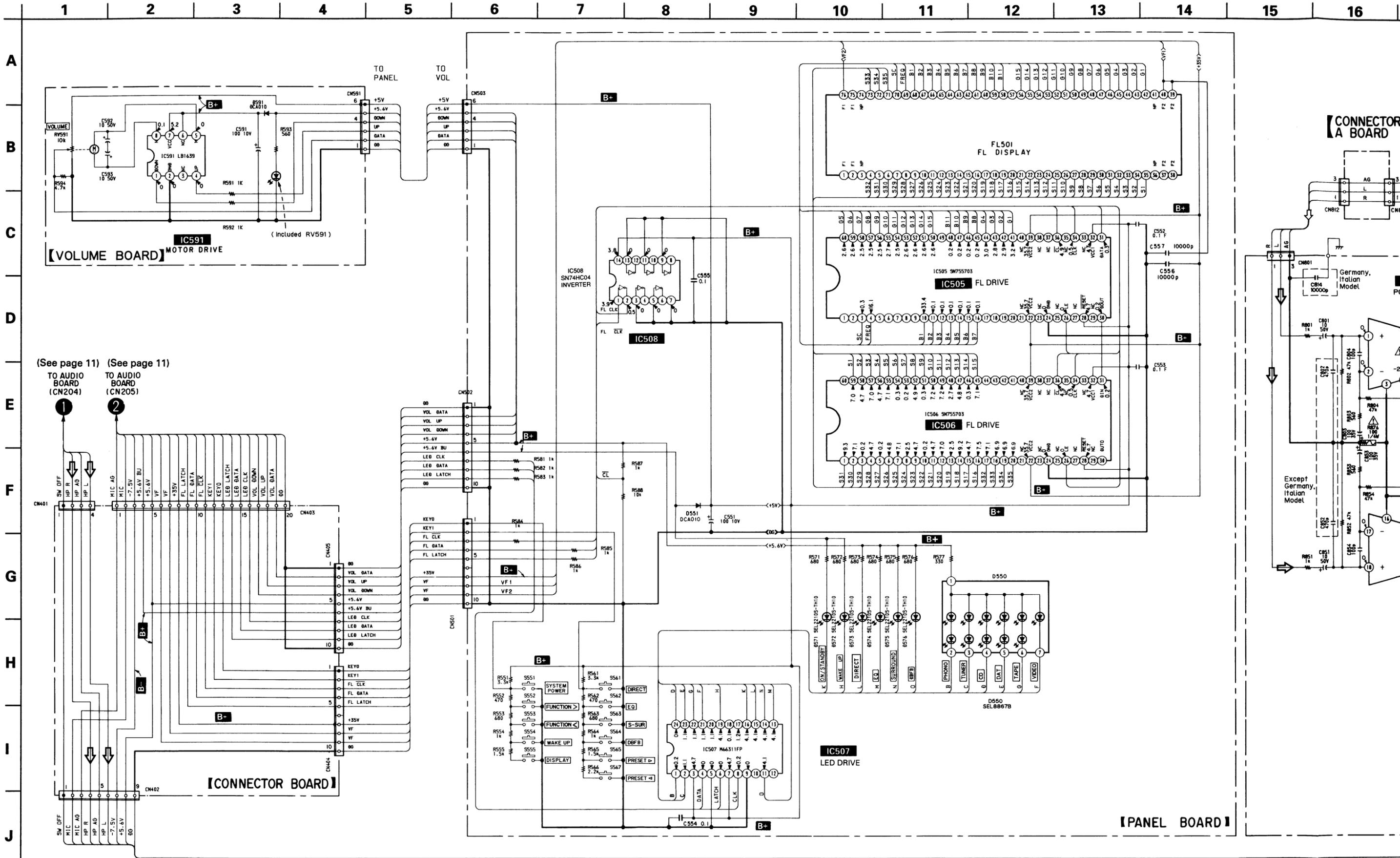
- All capacitors are in μF unless otherwise noted. pF : μpF 50VV or less are not indicated except for electrolytics and tantalums.
- All resistors are in ohms, 1/4W or less unless otherwise noted.
- ▭: nonflammable resistor
- ▩: Fuse resistor

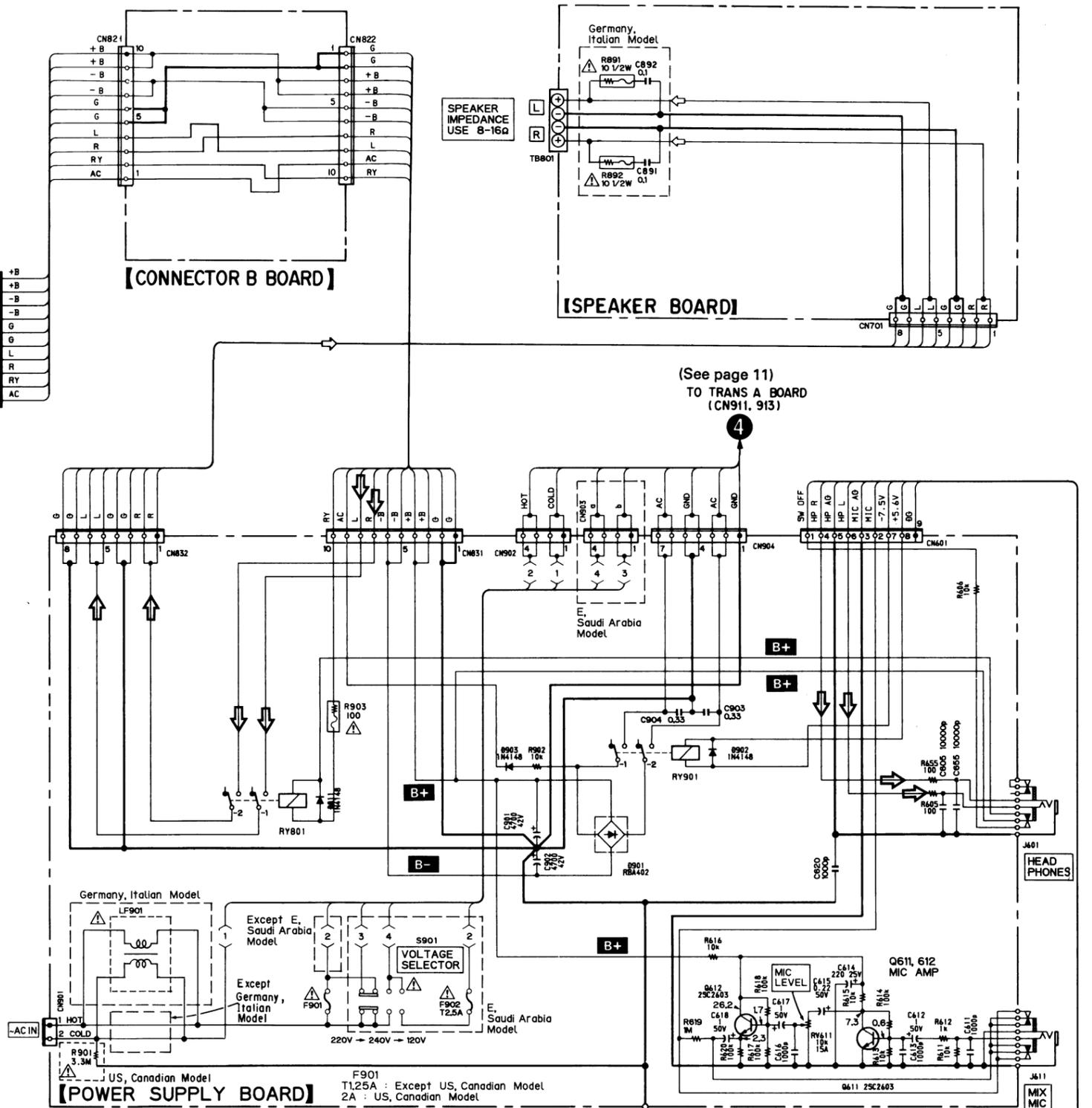
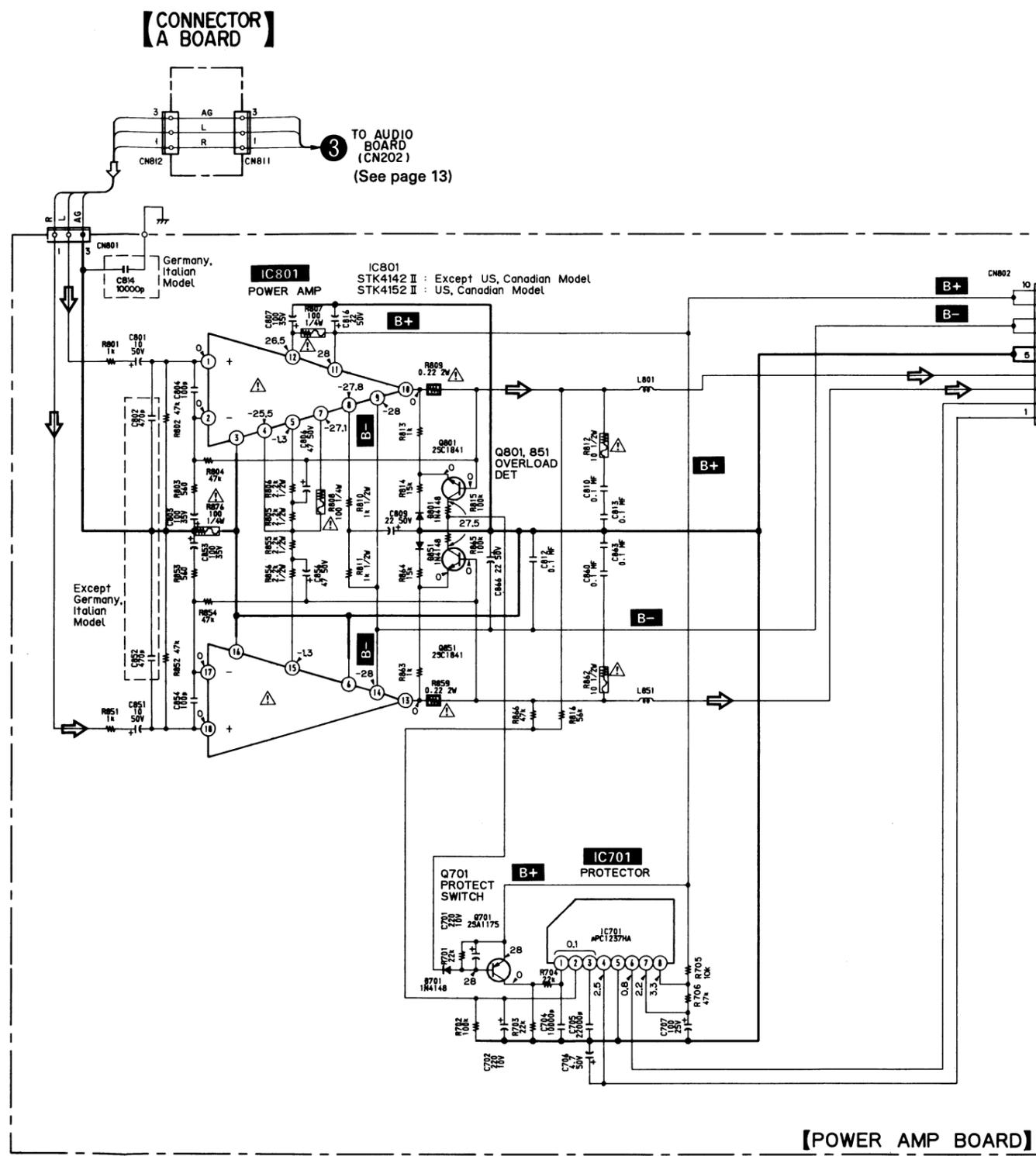
The components identified by mark Δ or dotted line with mark Δ are critical for safety. Replace only with part number specified.

Les composants identifiés par une marque Δ sont critiques pour la sécurité. Ne les remplacer que par une pièce portant le numéro spécifié.

- B+ : B + Line.
- B- : B - Line.
- Voltage are dc with respect to ground under no-signal conditions.
- no mark: CD
- Voltages are taken with a VOM (input impedance 10M Ω). Voltage variations may be noted due to normal production tolerances.
- Signal path
- ➡ : TUNER

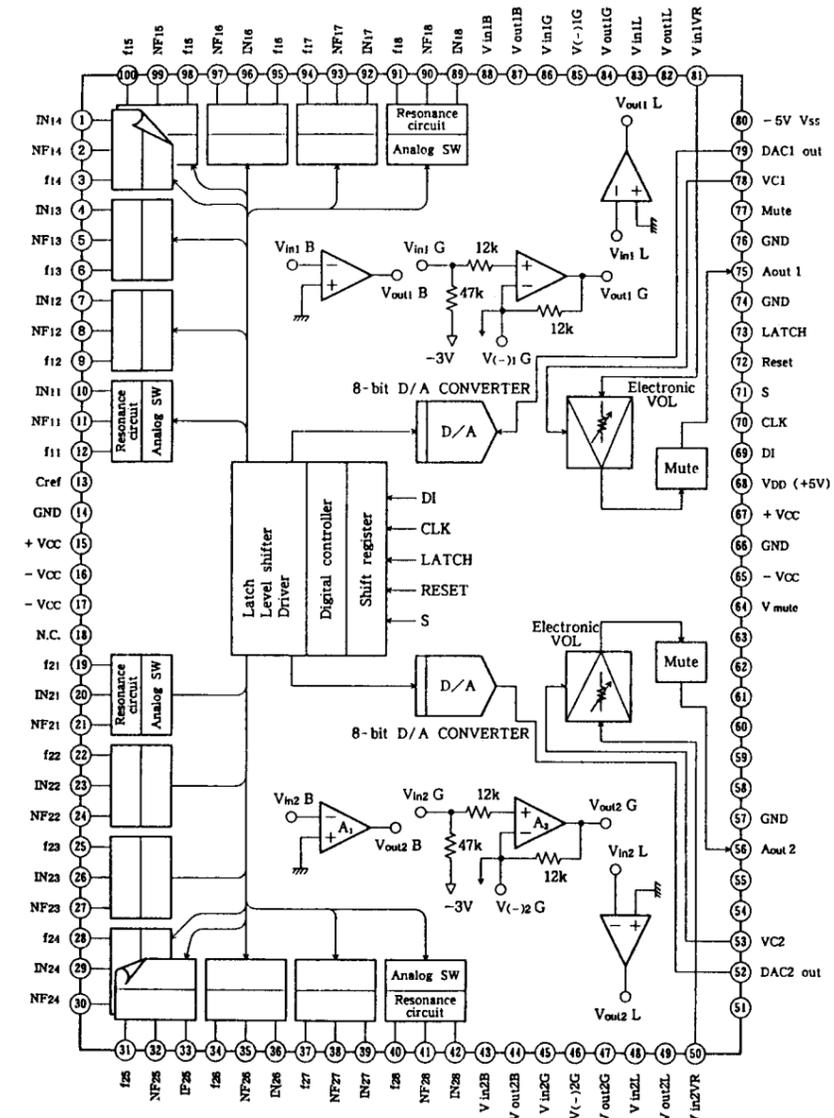
3-6. SCHEMATIC DIAGRAM - PANEL, POWER SECTION -



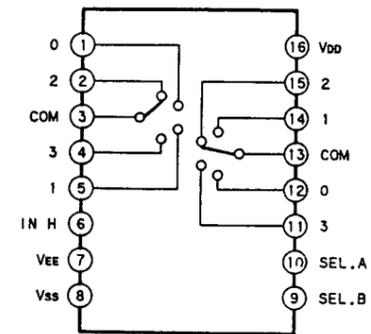


3-7. IC BLOCK DIAGRAMS

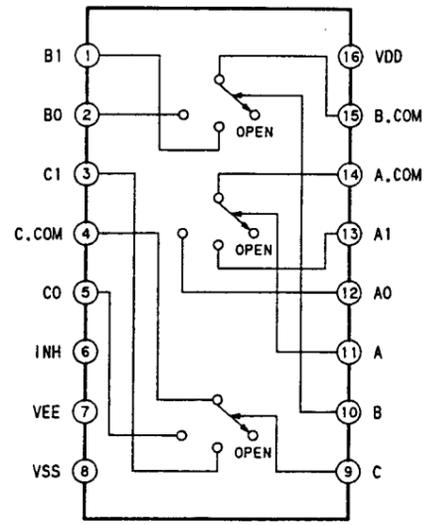
IC201 CXA1492Q



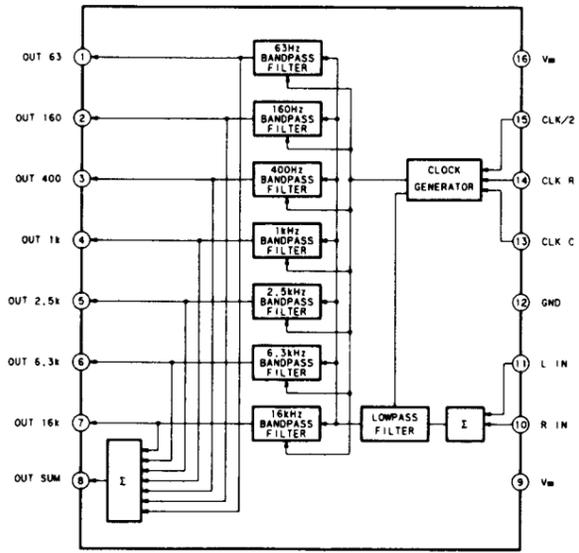
IC304, 503 MC14052BF



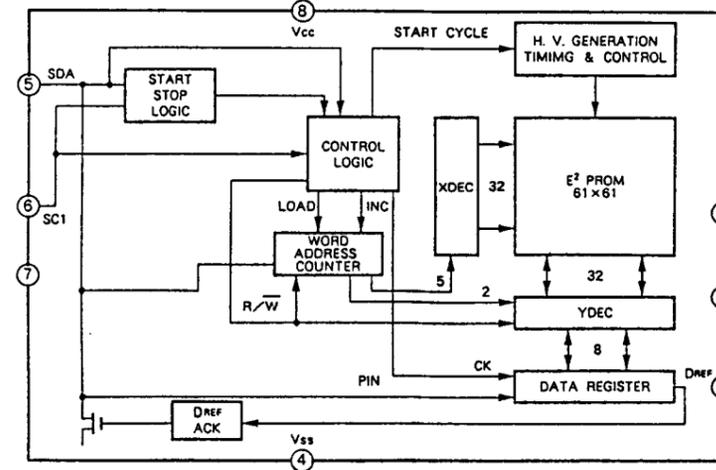
IC305 HD14053BFP



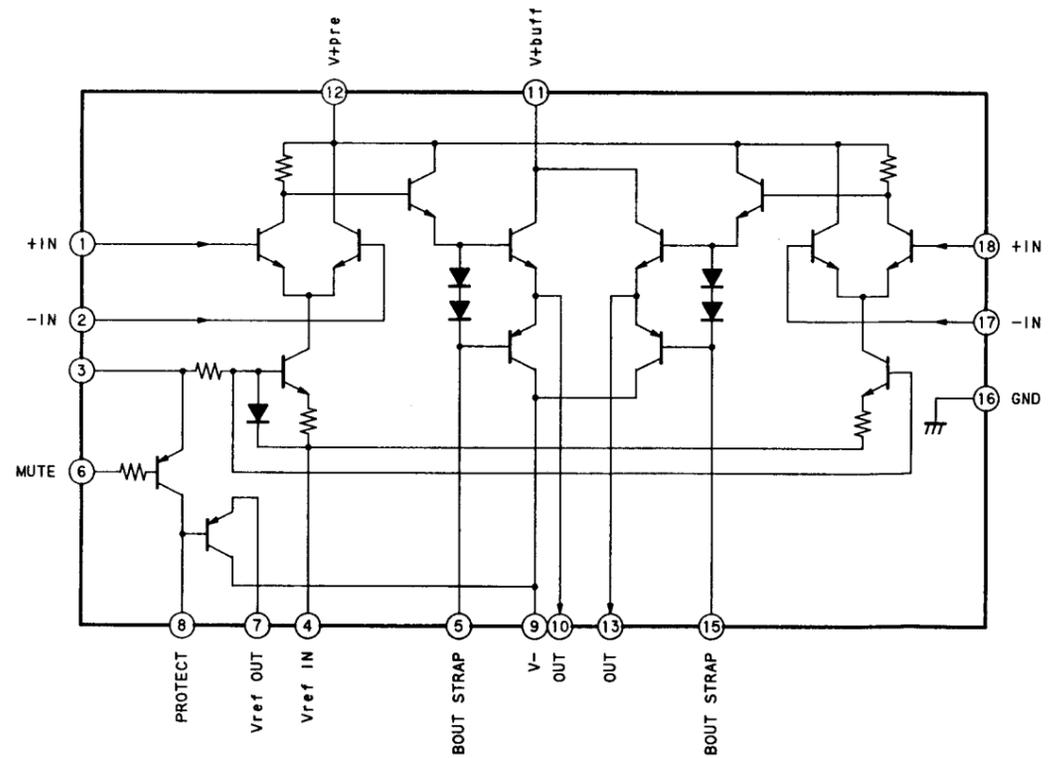
IC504 XR1091DCP



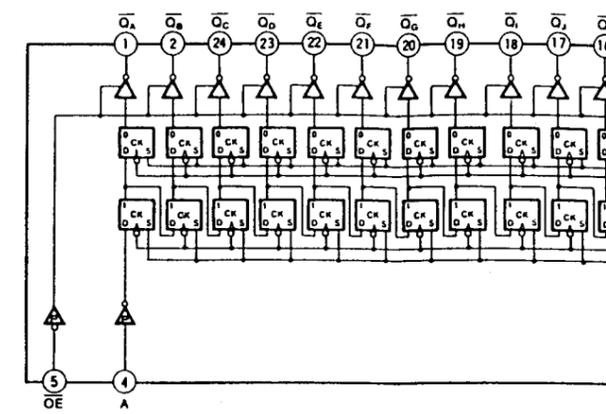
IC502 X24C01P



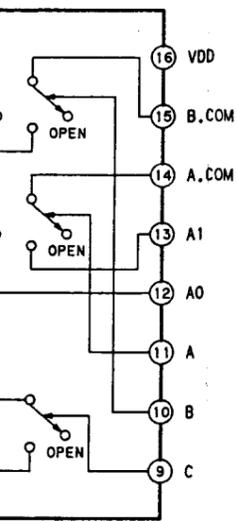
IC801 STK4142II
STK4152II



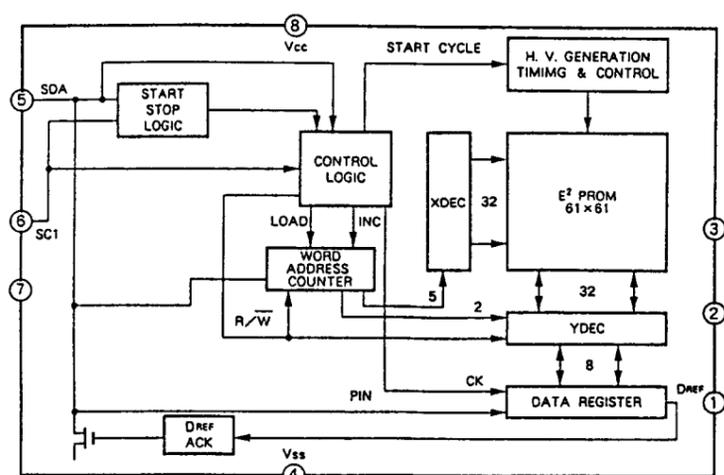
IC507 M66311FP



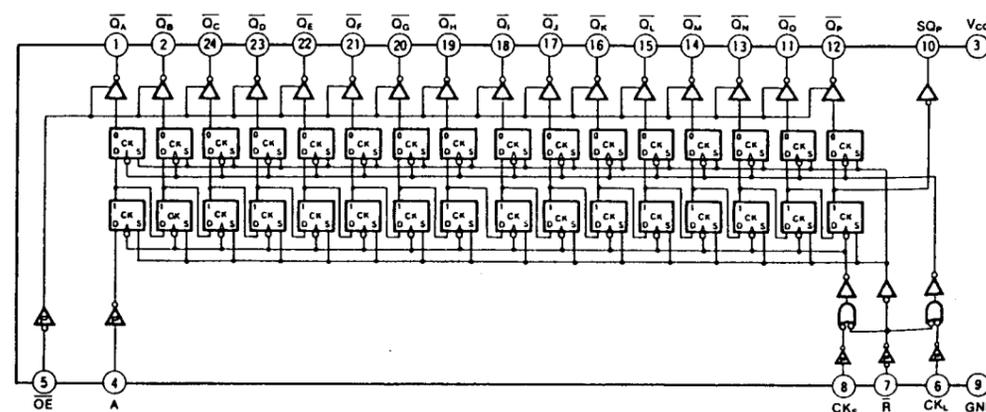
BFP



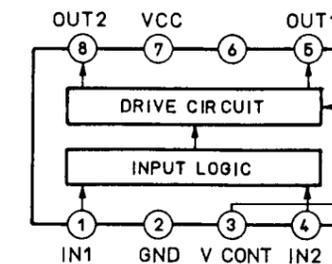
IC502 X24C01P



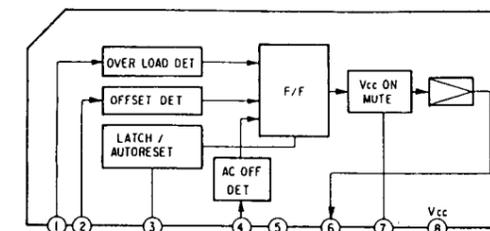
IC507 M66311FP



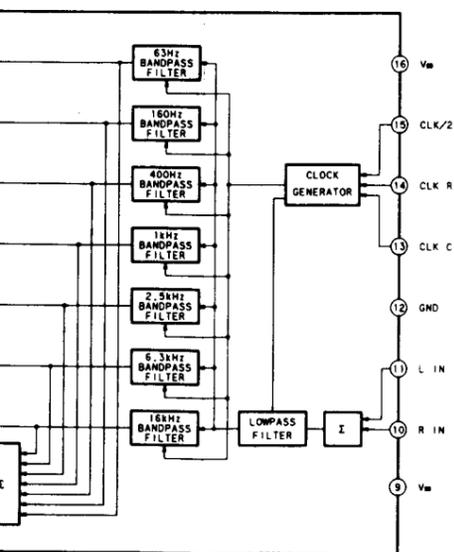
IC591 LB1639



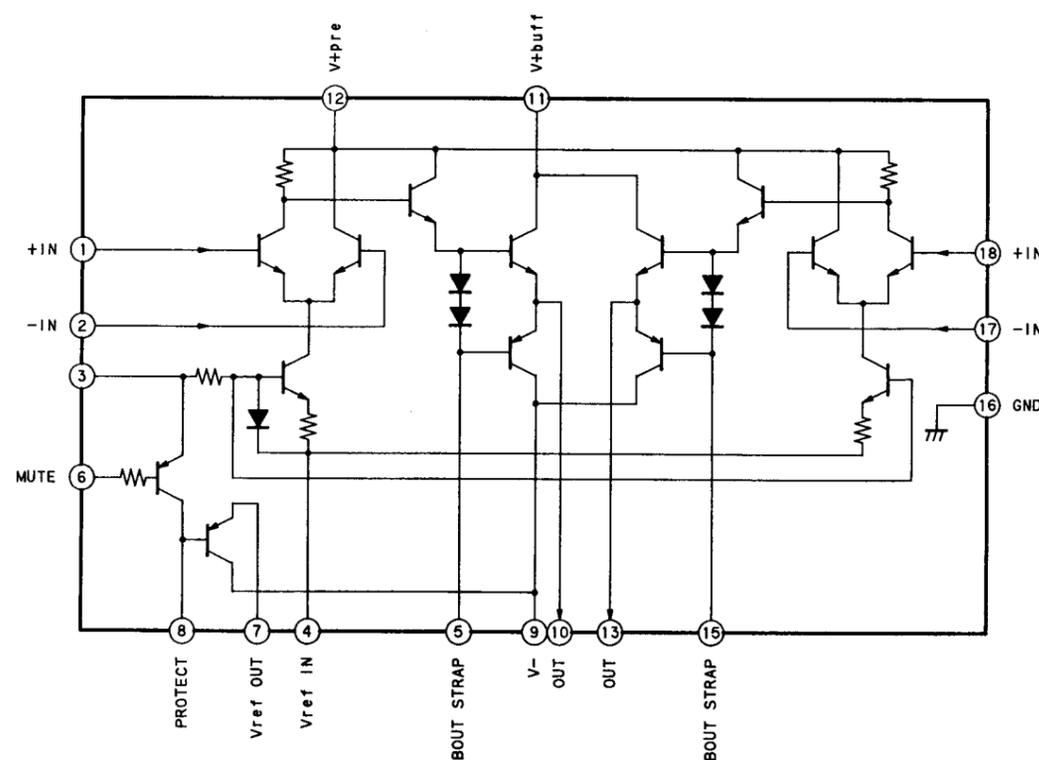
IC701 μPC1237HA



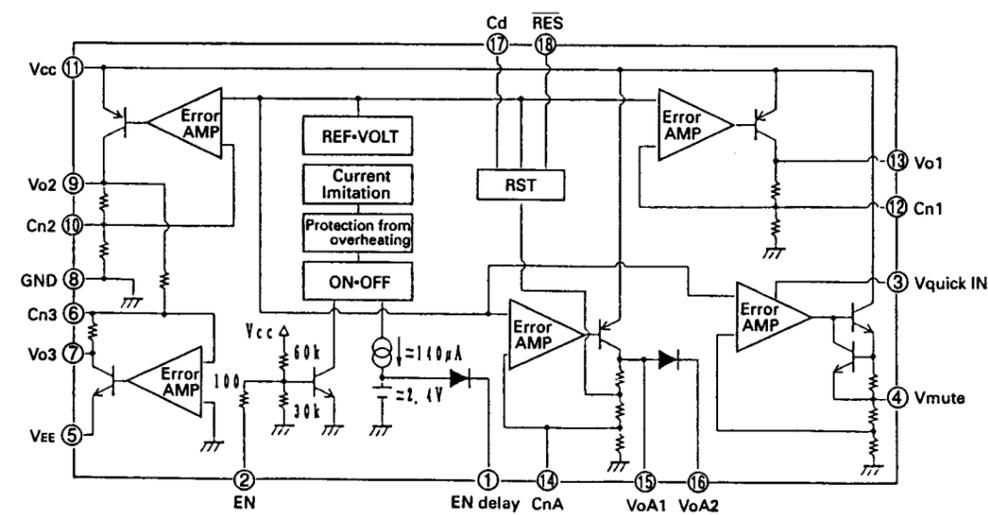
091DCP



IC801 STK4142II
STK4152II



IC901 LA5603



3-8. PIN FUNCTIONS OF IC501 (μ PD 78134-D29-3B9)

According to keying in or remote control signal, it sets the Graphic equalizer electronic volume (IC201), DBFB, surround etc. and switches the LED and FL tube display and functions in the deck.

| Pin No. | Pin name | I/O | Description |
|---------|--------------|-----|---|
| 1 | CLR | I | Timer pulse input |
| 2 | +5V | I | Not in use with the equipment (+5V) |
| 3 | DATA | O | Serial data output to the FL tube driver (IC505, 506) |
| 4 | CLK | O | Data transfer clock output to the FL tube driver (IC505, 506) |
| 5 | S0 | I | Input port for model selection. Connected to +5V(except US and Canadian model) or GND(US or Canadian model) with the equipment. |
| 6 | S1 | I | Input port for model selection. Connected to +5V(US or Canadian model) or GND(except US and Canadian model) with the equipment. |
| 7-12 | - | I | Not in use with the equipment (+5V) |
| 13 | POT00 | O | Timer pulse output (about 400 μ Sec) |
| 14 | CLK | O | Data transfer clock output to the LED driver (IC507) |
| 15 | DATA | O | Serial data output to LED driver (IC507) |
| 16 | LATCH | O | Data latch output to the LED driver (IC507) |
| 17-18 | PWM 0, PWM 1 | O | Not in use with the equipment (open) |
| 19 | AVss | - | Analog system power terminal (GND) |
| 20 | AVref | I | Analog port reference voltage input (+5V) |
| 21-22 | KEY 0, 1 | I | Key input (Analog)*1 |
| 23-24 | SPE 0, 1 | I | Spectrum analysis data input (analog) |
| 25 | VOL | I | Volume position data input (analog) |
| 26 | DBFB | I | DBFB data input |
| 27-28 | - | I | Not in use with the equipment (GND) |
| 29 | RESET | I | System reset input. "L" : reset |
| 30 | VDD | - | Power terminal (+5V) |
| 31-32 | X2, X1 | - | Crystal connection terminal for system clock oscillation |
| 33 | VSS | - | Power terminal (GND) |
| 34 | A | O | Spectrum analysis data input switch A |
| 35 | B | O | Spectrum analysis data input switch B |
| 36 | INH | O | Spectrum analysis data input switch inhibit |
| 37 | A | O | DBFB output switch A DBFB output switch B DBFB output switch inhibit } *2 |
| 38 | B | O | |
| 39 | INH | O | |
| 40-41 | - | O | Not in use with the equipment (open) |
| 42 | SCL | O | Clock output to EEP-ROM (IC502) |
| 43 | SDA | I/O | Data input/output (user preset memory data, etc.) with EEP-ROM (IC502) |
| 44 | - | O | Not in use with the equipment (open) |
| 45 | AU BUS IN | I | Audio bus input |
| 46 | AU BUS OUT | O | Audio bus output (tuner power ON/OFF and instruction to the function switch microcomputer in the deck) |
| 47 | - | O | Not in use with the equipment (open) |
| 48 | VOL DOWN | O | DOWN signal output of the volume motor (RV591) |
| 49 | VOL UP | O | UP signal output of the volume motor (RV591) |
| 50 | TC FUNC | I | Request of audio bus (FUNCTION data) from the function switch microcomputer in the deck (TC-H2600) |

| Pin No. | Pin name | I/O | Description |
|---------|--------------|-----|---|
| 51 | RESET | O | Reset output to the Graphic equalizer electronic volume (IC201) "L" : reset |
| 52 | LATCH | O | Data latch output to the Graphic equalizer electronic volume (IC201) |
| 53 | CLK | O | Data transfer clock output to the Graphic equalizer electronic volume (IC201) |
| 54 | DATA | O | Serial data output to the Graphic equalizer electronic volume (IC201) |
| 55 | MUTE | O | Mute reverse output |
| 56 | MUTE | O | Mute output |
| 57 | POWER ON/OFF | O | Power (IC901) output control. "L" : Power ON |
| 58-62 | - | O | Not in use with the equipment (open) |
| 63 | DBFB | O | DBFB ON/OFF (IC305) controller output. "H" : ON, "L" : OFF |
| 64 | SUR | O | Surround ON/OFF (IC302 1/2) controller output. "H" : surround ON |
| 65 | KARAOKE | O | Not in use with the equipment (open) |
| 66 | ASTB/CLO | O | Not in use with the equipment (open) |
| 67 | VSS | - | Power terminal (GND) |
| 68 | EA | I | Not in use with the equipment (open) |
| 69-76 | - | O | Not in use with the equipment (open) |
| 77 | VDD | - | Power terminal (+5V) |
| 78 | - | O | Not in use with the equipment (open) |
| 79 | LATCH | O | Data latch output to the FL tube driver (IC505, 506) |
| 80 | - | O | Not in use with the equipment (open) |

***1 Key input (analog port)**

| Voltage (V) Input port | 0 | 0.63 | 1.3 | 2.0 | 2.6 | 3.2 |
|---------------------------|----------------|---------------------------|---------------------------|-----------------|------------------------|--------------------------|
| Pin ① KEY 0 | POWER S551 | FUNCTION AUDIO S552 | FUNCTION VIDEO S553 | WAKE UP S554 | DISPLAY S555 | — |
| Pin ② KEY 1 | DIRECT S561 | EQ S562 | SURROUND S563 | DBFB S564 | PRESET UP ▷ S565 | PRESET DOWN ◁ S567 |

***2 DBFB level control**

| Input port Level | OFF | 1 | 2 | 3 | 4 |
|---------------------|-----|---|---|---|---|
| Pin ③ A | - | L | H | L | H |
| Pin ④ B | - | L | L | H | H |
| Pin ⑤ INH | H | L | L | L | L |

SECTION 4 EXPLODED VIEW

NOTE:

- -XX, -X mean standardized parts, so they may have some differences from the original one.

- Color Indication of Appearance Parts

Example:

KNOB, BALANCE (WHITE)... (RED)

↑ ↑
 Parts color Cabinet's color

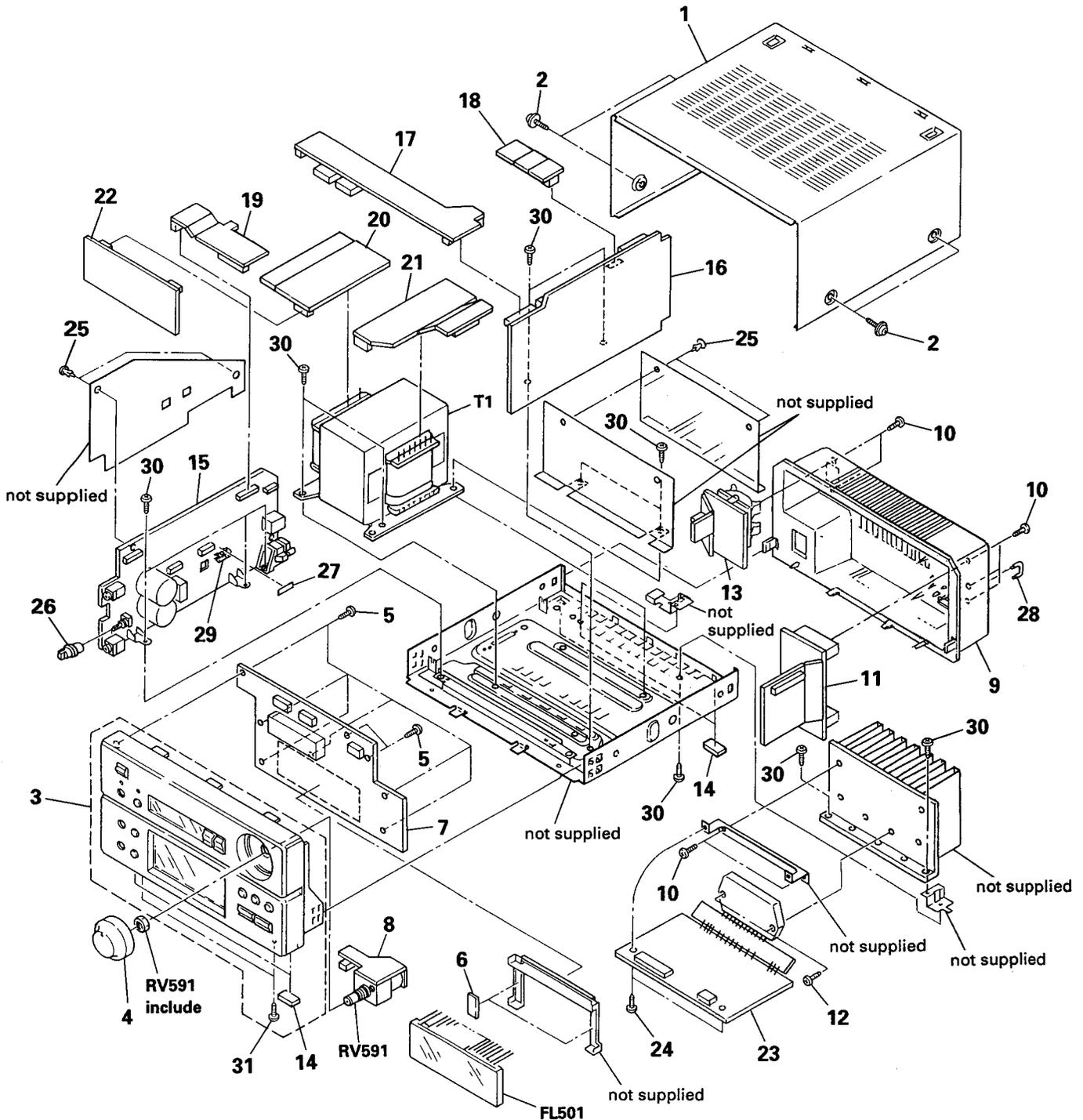
- Items marked "*" are not stocked since they are seldom required for routine service. Some delay should be anticipated when ordering these items.

- The mechanical parts with no reference number in the exploded views are not supplied.

- CND : Canadian model
- G : Germany model
- IT : Italian model
- EA : Saudi Arabia model
- AUS : Australian model

The components identified by mark Δ or dotted line with mark Δ are critical for safety. Replace only with part number specified.

Les composants identifiés par une marque Δ sont critiques pour la sécurité. Ne les remplacer que par une pièce portant le numéro spécifié.



| Ref. No. | Part No. | Description | Remarks | Ref. No. | Part No. | Description | Remarks |
|----------|----------------|---|---------|----------|----------------|--|---------|
| 1 | * 4-944-522-01 | CASE (K211522) | | 16 | * A-4341-582-A | AUDIO BOARD, COMPLETE (AEP, UK, AUS) | |
| 2 | 3-363-099-01 | SCREW (CASE +3X8 TP2) | | | * A-4341-578-A | AUDIO BOARD, COMPLETE (E, EA) | |
| 3 | X-4941-604-1 | PANEL ASSY, FRONT (US, CND, AEP, UK, G, IT) | | | * A-4341-593-A | AUDIO BOARD, COMPLETE (G, IT) | |
| | X-4941-605-1 | PANEL ASSY, FRONT (E, EA, AUS) | | | * A-4345-443-A | AUDIO BOARD, COMPLETE (US, CND) | |
| 4 | X-4941-532-1 | KNOB (VOLUME) ASSY | | 17 | * 1-638-539-11 | CONNECTOR BOARD | |
| 5 | 4-928-635-01 | SCREW, +BV (2. 6X8) TAPPING | | 18 | * 1-638-560-11 | CONNECTOR (A) BOARD | |
| 6 | * 4-932-810-11 | CUSHION (FL) | | 19 | * 1-638-561-11 | CONNECTOR (B) BOARD | |
| 7 | * A-4341-577-A | PANEL BOARD, COMPLETE (AEP, UK, E, EA, AUS) | | 20 | * 1-638-555-11 | TRANSFORMER (A) BOARD | |
| | * A-4341-581-A | PANEL BOARD, COMPLETE (G, IT) | | 21 | * 1-638-556-11 | TRANSFORMER (B) BOARD | |
| | * A-4345-442-A | PANEL BOARD, COMPLETE (US, CND) | | 22 | * 1-638-553-11 | TRANSFORMER (C) BOARD | |
| 8 | * 1-638-551-11 | VOLUME BOARD | | 23 | * A-4345-441-A | POWER AMP BOARD, COMPLETE (AEP, UK, AUS) | |
| 9 | * 4-943-337-21 | PANEL, BACK (US, CND, AEP, UK, G, IT, AUS) | | | * A-4341-571-A | POWER AMP BOARD, COMPLETE (E, EA) | |
| | * 4-943-337-11 | PANEL, BACK (E, EA) | | | * A-4345-438-A | POWER AMP BOARD, COMPLETE (G, IT) | |
| 10 | 7-685-647-79 | SCREW +BVTP 3X10 TYPE2 N-S | | | * A-4345-763-A | POWER AMP BOARD, COMPLETE (US, CND) | |
| 11 | * 1-638-558-11 | JACK BOARD | | 24 | 7-685-645-79 | SCREW +BVTP 3X6 TYPE2 IT-3 | |
| 12 | 7-685-650-79 | SCREW +BVTP 3X16 TYPE2 IT-3 | | 25 | 4-812-134-11 | RIVET NYLON, 3.5 | |
| 13 | * 1-638-559-11 | SPEAKER BOARD | | 26 | 4-932-882-11 | KNOB (HP. VOL) | |
| 14 | 4-930-336-01 | FOOT (FELT) | | 27 | 3-701-947-12 | LABEL (T1. 25A), FUSE | |
| | | | | | | (AEP, UK, G, IT, E, EA, AUS) | |
| 15 | * A-4341-583-A | POWER SUPPLY BOARD, COMPLETE (AEP, UK, AUS) | | | 3-701-946-13 | LABEL (2A 250V), FUSE (US, CND) | |
| | * A-4341-579-A | POWER SUPPLY BOARD, COMPLETE (E) | | | 3-701-948-18 | LABEL (T2. 5A), FUSE (E, EA) | |
| | * A-4341-594-A | POWER SUPPLY BOARD, COMPLETE (G, IT) | | 28 | * 1-535-706-11 | PLUG, JUMPER (E, EA) | |
| | * A-4341-844-A | POWER SUPPLY BOARD, COMPLETE (US, CND) | | 29 | * 1-533-213-31 | HOLDER, FUSE | |
| | * A-4345-699-A | POWER SUPPLY BOARD, COMPLETE (EA) | | 30 | 7-682-547-04 | SCREW +BVTT 3X6 (S) | |
| | | | | 31 | 7-682-547-09 | SCREW +BVTT 3X6 (S) | |

SECTION 5

ELECTRICAL PARTS LIST

AUDIO **PANEL**
VOLUME **CONNECTOR**

NOTE:

The components identified by mark Δ or dotted line with mark Δ are critical for safety.
Replace only with part number specified.

Les composants identifiés par une marque Δ sont critiques pour la sécurité.
Ne les remplacer que par une pièce portant le numéro spécifié.

When indicating parts by reference number, please include the board name.

- Due to standardization, replacements in the parts list may be different from the parts specified in the diagrams or the components used on the set.
- -XX, -X mean standardized parts, so they may have some difference from the original one.
- RESISTORS
All resistors are in ohms
METAL : Metal-film resistor
METAL OXIDE : Metal Oxide-film resistor
F : nonflammable
- Items marked "*" are not stocked since they are seldom required for routine service. Some delay should be anticipated when ordering these items.
- SEMICONDUCTORS
In each case, u : μ , for example :
uA...: μ A..., uPA...: μ PA...,
uPB...: μ PB..., uPC...: μ PC...,
uPD...: μ PD...
- CAPACITORS
uF : μ F
- COILS
uH : μ H

| Ref. No. | Part No. | Description | Remarks | Ref. No. | Part No. | Description | Remarks |
|----------------|-----------------------|-----------------------|---------|----------|--------------|-----------------------|---------|
| * A-4341-577-A | PANEL BOARD, COMPLETE | (AEP, UK, E, EA, AUS) | | C254 | 1-163-117-00 | CERAMIC CHIP 100PF | 5% 50V |
| * A-4341-581-A | PANEL BOARD, COMPLETE | (G, IT) | | C255 | 1-163-117-00 | CERAMIC CHIP 100PF | 5% 50V |
| * A-4345-442-A | PANEL BOARD, COMPLETE | (US, CND) | | C256 | 1-163-117-00 | CERAMIC CHIP 100PF | 5% 50V |
| ***** | | | | C257 | 1-164-346-11 | CERAMIC CHIP 1uF | 16V |
| * A-4341-582-A | AUDIO BOARD, COMPLETE | (AEP, UK, AUS) | | C261 | 1-164-489-11 | CERAMIC CHIP 0.22uF | 10% 16V |
| * A-4341-578-A | AUDIO BOARD, COMPLETE | (E, EA) | | C262 | 1-164-489-11 | CERAMIC CHIP 0.22uF | 10% 16V |
| * A-4341-593-A | AUDIO BOARD, COMPLETE | (G, IT) | | C263 | 1-163-038-00 | CERAMIC CHIP 0.1uF | 25V |
| * A-4345-443-A | AUDIO BOARD, COMPLETE | (US, CND) | | C264 | 1-164-343-11 | CERAMIC CHIP 0.056uF | 10% 25V |
| ***** | | | | C265 | 1-163-809-11 | CERAMIC CHIP 0.047uF | 10% 25V |
| * 1-638-539-11 | CONNECTOR BOARD | | | C266 | 1-163-037-11 | CERAMIC CHIP 0.022uF | 10% 25V |
| ***** | | | | C267 | 1-163-024-00 | CERAMIC CHIP 0.018uF | 10% 50V |
| * 1-638-551-11 | VOLUME BOARD | | | C268 | 1-164-232-11 | CERAMIC CHIP 0.01uF | 50V |
| ***** | | | | C269 | 1-163-019-00 | CERAMIC CHIP 0.0068uF | 10% 50V |
| * 4-932-810-11 | CUSHION (FL) | | | C270 | 1-163-016-00 | CERAMIC CHIP 0.0039uF | 10% 50V |
| < CAPACITOR > | | | | C271 | 1-163-014-00 | CERAMIC CHIP 0.0027uF | 10% 50V |
| C201 | 1-124-907-11 | ELECT 10uF | 20% 50V | C272 | 1-163-011-11 | CERAMIC CHIP 0.0015uF | 10% 50V |
| C202 | 1-163-117-00 | CERAMIC CHIP 100PF | 5% 50V | C273 | 1-163-010-11 | CERAMIC CHIP 0.0012uF | 10% 50V |
| C203 | 1-124-907-11 | ELECT 10uF | 20% 50V | C274 | 1-163-007-11 | CERAMIC CHIP 680PF | 10% 50V |
| C204 | 1-163-117-00 | CERAMIC CHIP 100PF | 5% 50V | C291 | 1-124-443-00 | ELECT 100uF | 20% 10V |
| C205 | 1-163-117-00 | CERAMIC CHIP 100PF | 5% 50V | C292 | 1-124-443-00 | ELECT 100uF | 20% 10V |
| C206 | 1-163-117-00 | CERAMIC CHIP 100PF | 5% 50V | C293 | 1-124-443-00 | ELECT 100uF | 20% 10V |
| C207 | 1-164-346-11 | CERAMIC CHIP 1uF | 16V | C294 | 1-124-443-00 | ELECT 100uF | 20% 10V |
| C210 | 1-124-443-00 | ELECT 100uF | 20% 10V | C295 | 1-124-443-00 | ELECT 100uF | 20% 10V |
| C211 | 1-164-489-11 | CERAMIC CHIP 0.22uF | 10% 16V | C301 | 1-163-117-00 | CERAMIC CHIP 100PF | 5% 50V |
| C212 | 1-164-489-11 | CERAMIC CHIP 0.22uF | 10% 16V | C302 | 1-163-125-00 | CERAMIC CHIP 220PF | 5% 50V |
| C213 | 1-163-038-00 | CERAMIC CHIP 0.1uF | 25V | C311 | 1-164-346-11 | CERAMIC CHIP 1uF | 16V |
| C214 | 1-164-343-11 | CERAMIC CHIP 0.056uF | 10% 25V | C312 | 1-164-346-11 | CERAMIC CHIP 1uF | 16V |
| C215 | 1-163-809-11 | CERAMIC CHIP 0.047uF | 10% 25V | C313 | 1-163-038-00 | CERAMIC CHIP 0.1uF | 25V |
| C216 | 1-163-037-11 | CERAMIC CHIP 0.022uF | 10% 25V | C321 | 1-136-165-00 | FILM 0.1uF | 5% 50V |
| C217 | 1-163-024-00 | CERAMIC CHIP 0.018uF | 10% 50V | C322 | 1-136-165-00 | FILM 0.1uF | 5% 50V |
| C218 | 1-164-232-11 | CERAMIC CHIP 0.01uF | 50V | C323 | 1-124-903-11 | ELECT 1uF | 20% 50V |
| C219 | 1-163-019-00 | CERAMIC CHIP 0.0068uF | 10% 50V | C325 | 1-124-907-11 | ELECT 10uF | 20% 50V |
| C220 | 1-163-016-00 | CERAMIC CHIP 0.0039uF | 10% 50V | C326 | 1-124-907-11 | ELECT 10uF | 20% 50V |
| C221 | 1-163-014-00 | CERAMIC CHIP 0.0027uF | 10% 50V | C327 | 1-124-443-00 | ELECT 100uF | 20% 10V |
| C222 | 1-163-011-11 | CERAMIC CHIP 0.0015uF | 10% 50V | C341 | 1-163-117-00 | CERAMIC CHIP 100PF | 5% 50V |
| C223 | 1-163-010-11 | CERAMIC CHIP 0.0012uF | 10% 50V | C342 | 1-163-117-00 | CERAMIC CHIP 100PF | 5% 50V |
| C224 | 1-163-007-11 | CERAMIC CHIP 680PF | 10% 50V | C343 | 1-124-443-00 | ELECT 100uF | 20% 10V |
| C251 | 1-124-907-11 | ELECT 10uF | 20% 50V | C351 | 1-163-117-00 | CERAMIC CHIP 100PF | 5% 50V |
| C252 | 1-163-117-00 | CERAMIC CHIP 100PF | 5% 50V | C352 | 1-163-125-00 | CERAMIC CHIP 220PF | 5% 50V |
| C253 | 1-124-907-11 | ELECT 10uF | 20% 50V | C371 | 1-136-165-00 | FILM 0.1uF | 5% 50V |

AUDIO

PANEL

VOLUME

CONNECTOR

| Ref. No. | Part No. | Description | Remarks | Ref. No. | Part No. | Description | Remarks |
|----------|--------------|--------------|-----------------|----------|----------------|---------------------------|----------------|
| C372 | 1-136-165-00 | FILM | 0.1uF 5% 50V | C929 | 1-164-346-11 | CERAMIC CHIP | 1uF 16V |
| C373 | 1-124-903-11 | ELECT | 1uF 20% 50V | C930 | 1-124-907-11 | ELECT | 10uF 20% 50V |
| C375 | 1-124-907-11 | ELECT | 10uF 20% 50V | C931 | 1-126-104-11 | ELECT | 470uF 20% 35V |
| C376 | 1-124-907-11 | ELECT | 10uF 20% 50V | C932 | 1-126-105-11 | ELECT | 1000uF 20% 35V |
| C501 | 1-124-443-00 | ELECT | 100uF 20% 10V | C933 | 1-124-477-11 | ELECT | 47uF 20% 25V |
| C502 | 1-163-038-00 | CERAMIC CHIP | 0.1uF 25V | C934 | 1-124-477-11 | ELECT | 47uF 20% 25V |
| C503 | 1-163-038-00 | CERAMIC CHIP | 0.1uF 25V | C941 | 1-124-122-11 | ELECT | 100uF 20% 50V |
| C511 | 1-163-009-11 | CERAMIC CHIP | 0.001uF 10% 50V | C942 | 1-124-907-11 | ELECT | 10uF 20% 50V |
| C512 | 1-124-443-00 | ELECT | 100uF 20% 10V | C943 | 1-124-907-11 | ELECT | 10uF 20% 50V |
| C513 | 1-124-443-00 | ELECT | 100uF 20% 10V | C951 | 1-124-122-11 | ELECT | 100uF 20% 50V |
| C521 | 1-163-038-00 | CERAMIC CHIP | 0.1uF 25V | C952 | 1-124-907-11 | ELECT | 10uF 20% 50V |
| C522 | 1-163-038-00 | CERAMIC CHIP | 0.1uF 25V | C953 | 1-124-907-11 | ELECT | 10uF 20% 50V |
| C523 | 1-162-294-31 | CERAMIC CHIP | 0.001uF 10% 50V | C954 | 1-163-035-00 | CERAMIC CHIP | 0.047uF 50V |
| C524 | 1-162-294-31 | CERAMIC CHIP | 0.001uF 10% 50V | | | (CONNECTOR) | |
| C525 | 1-163-038-00 | CERAMIC CHIP | 0.1uF 25V | CN201 | * 1-566-154-11 | CONNECTOR, BOARD TO BOARD | 20P |
| C526 | 1-163-038-00 | CERAMIC CHIP | 0.1uF 25V | CN202 | * 1-569-499-11 | PIN, CONNECTOR | 3P |
| C527 | 1-163-038-00 | CERAMIC CHIP | 0.1uF 25V | CN203 | * 1-569-505-11 | PIN, CONNECTOR | 10P |
| C528 | 1-163-038-00 | CERAMIC CHIP | 0.1uF 25V | CN204 | * 1-569-396-11 | PIN, CONNECTOR | 4P |
| C542 | 1-124-477-11 | ELECT | 47uF 20% 25V | CN205 | * 1-580-051-11 | SOCKET, CONNECTOR | 20P |
| C551 | 1-124-443-00 | ELECT | 100uF 20% 10V | CN401 | * 1-569-397-11 | SOCKET, CONNECTOR | 4P |
| C552 | 1-164-004-11 | CERAMIC CHIP | 0.1uF 10% 25V | CN402 | * 1-569-495-11 | SOCKET, CONNECTOR | 9P |
| C553 | 1-164-004-11 | CERAMIC CHIP | 0.1uF 10% 25V | CN403 | * 1-580-050-11 | PIN, CONNECTOR | 20P |
| C554 | 1-164-004-11 | CERAMIC CHIP | 0.1uF 10% 25V | CN404 | 1-568-321-11 | SOCKET, CONNECTOR | 10P |
| C555 | 1-164-004-11 | CERAMIC CHIP | 0.1uF 10% 25V | CN405 | 1-568-321-11 | SOCKET, CONNECTOR | 10P |
| C556 | 1-164-232-11 | CERAMIC CHIP | 0.01uF 50V | CN501 | * 1-568-322-11 | PLUG, CONNECTOR | 10P |
| C557 | 1-164-232-11 | CERAMIC CHIP | 0.01uF 50V | CN502 | * 1-568-322-11 | PLUG, CONNECTOR | 10P |
| C591 | 1-124-443-00 | ELECT | 100uF 20% 10V | CN503 | * 1-568-318-11 | PLUG, CONNECTOR | 6P |
| C592 | 1-124-907-11 | ELECT | 10uF 20% 50V | CN591 | 1-568-317-11 | SOCKET, CONNECTOR | 6P |
| C593 | 1-124-907-11 | ELECT | 10uF 20% 50V | | | (DIODE) | |
| C601 | 1-124-907-11 | ELECT | 10uF 20% 50V | D291 | 8-719-990-36 | DIODE | DCA010 |
| C602 | 1-124-907-11 | ELECT | 10uF 20% 50V | D294 | 8-719-990-36 | DIODE | DCA010 |
| C603 | 1-163-117-00 | CERAMIC CHIP | 100PF 5% 50V | D311 | 8-719-990-36 | DIODE | DCA010 |
| C604 | 1-124-472-11 | ELECT | 470uF 20% 10V | D312 | 8-719-990-36 | DIODE | DCA010 |
| C605 | 1-163-117-00 | CERAMIC CHIP | 100PF 5% 50V | D331 | 8-719-990-36 | DIODE | DCA010 |
| C651 | 1-124-907-11 | ELECT | 10uF 20% 50V | D341 | 8-719-990-36 | DIODE | DCA010 |
| C652 | 1-124-907-11 | ELECT | 10uF 20% 50V | D342 | 8-719-990-36 | DIODE | DCA010 |
| C653 | 1-163-117-00 | CERAMIC CHIP | 100PF 5% 50V | D501 | 8-719-990-36 | DIODE | DCA010 |
| C654 | 1-124-472-11 | ELECT | 470uF 20% 10V | D502 | 8-719-990-36 | DIODE | DCA010 |
| C655 | 1-163-117-00 | CERAMIC CHIP | 100PF 5% 50V | D503 | 8-719-990-36 | DIODE | DCA010 |
| C911 | 1-124-563-11 | ELECT | 2200uF 20% 25V | D504 | 8-719-990-36 | DIODE | DCA010 |
| C912 | 1-124-563-11 | ELECT | 2200uF 20% 25V | D505 | 8-719-990-36 | DIODE | DCA010 |
| C913 | 1-136-165-00 | FILM | 0.1uF 5% 50V | D550 | 8-719-313-71 | DIODE | SEL8867B |
| C914 | 1-136-165-00 | FILM | 0.1uF 5% 50V | D551 | 8-719-990-36 | DIODE | DCA010 |
| C920 | 1-164-232-11 | CERAMIC CHIP | 0.01uF 50V | D571 | 8-719-301-37 | DIODE | SEL2210S-CD |
| C921 | 1-164-346-11 | CERAMIC CHIP | 1uF 16V | D572 | 8-719-301-37 | DIODE | SEL2210S-CD |
| C922 | 1-124-443-00 | ELECT | 100uF 20% 10V | D573 | 8-719-301-37 | DIODE | SEL2210S-CD |
| C923 | 1-164-346-11 | CERAMIC CHIP | 1uF 16V | D574 | 8-719-301-37 | DIODE | SEL2210S-CD |
| C924 | 1-124-443-00 | ELECT | 100uF 20% 10V | D575 | 8-719-301-37 | DIODE | SEL2210S-CD |
| C925 | 1-164-346-11 | CERAMIC CHIP | 1uF 16V | D576 | 8-719-301-37 | DIODE | SEL2210S-CD |
| C926 | 1-124-443-00 | ELECT | 100uF 20% 10V | D591 | 8-719-990-36 | DIODE | DCA010 |
| C927 | 1-164-346-11 | CERAMIC CHIP | 1uF 16V | | | | |
| C928 | 1-124-443-00 | ELECT | 100uF 20% 10V | | | | |

When indicating parts by reference number, please include the board name.

AUDIO

PANEL

VOLUME

CONNECTOR

| Ref. No. | Part No. | Description | Remarks | Ref. No. | Part No. | Description | Remarks |
|----------|--------------|-------------|---------------|----------|--------------|-------------|---------------|
| R264 | 1-216-121-00 | METAL CHIP | 1M 5% 1/10W | R380 | 1-216-073-00 | METAL CHIP | 10K 5% 1/10W |
| R265 | 1-216-121-00 | METAL CHIP | 1M 5% 1/10W | R381 | 1-216-025-00 | METAL CHIP | 100 5% 1/10W |
| R266 | 1-216-121-00 | METAL CHIP | 1M 5% 1/10W | R382 | 1-216-069-00 | METAL CHIP | 6.8K 5% 1/10W |
| R267 | 1-216-121-00 | METAL CHIP | 1M 5% 1/10W | R383 | 1-216-748-11 | METAL CHIP | 39K 5% 1/10W |
| R291 | 1-216-049-00 | METAL CHIP | 1K 5% 1/10W | R384 | 1-216-105-00 | METAL CHIP | 220K 5% 1/10W |
| R292 | 1-216-049-00 | METAL CHIP | 1K 5% 1/10W | R391 | 1-216-079-00 | METAL CHIP | 18K 5% 1/10W |
| R301 | 1-216-089-00 | METAL CHIP | 47K 5% 1/10W | R398 | 1-216-041-00 | METAL CHIP | 470 5% 1/10W |
| R302 | 1-216-077-00 | METAL CHIP | 15K 5% 1/10W | R399 | 1-216-025-00 | METAL CHIP | 100 5% 1/10W |
| R304 | 1-216-079-00 | METAL CHIP | 18K 5% 1/10W | R501 | 1-216-121-00 | METAL CHIP | 1M 5% 1/10W |
| R311 | 1-216-079-00 | METAL CHIP | 18K 5% 1/10W | R502 | 1-216-073-00 | METAL CHIP | 10K 5% 1/10W |
| R312 | 1-216-121-00 | METAL CHIP | 1M 5% 1/10W | R503 | 1-216-073-00 | METAL CHIP | 10K 5% 1/10W |
| R313 | 1-216-121-00 | METAL CHIP | 1M 5% 1/10W | R504 | 1-216-049-00 | METAL CHIP | 1K 5% 1/10W |
| R314 | 1-216-097-00 | METAL CHIP | 100K 5% 1/10W | R505 | 1-216-073-00 | METAL CHIP | 10K 5% 1/10W |
| R315 | 1-216-097-00 | METAL CHIP | 100K 5% 1/10W | R506 | 1-216-089-00 | METAL CHIP | 47K 5% 1/10W |
| R316 | 1-216-097-00 | METAL CHIP | 100K 5% 1/10W | R507 | 1-216-089-00 | METAL CHIP | 47K 5% 1/10W |
| R317 | 1-216-097-00 | METAL CHIP | 100K 5% 1/10W | R511 | 1-216-053-00 | METAL CHIP | 1.5K 5% 1/10W |
| R318 | 1-216-097-00 | METAL CHIP | 100K 5% 1/10W | R512 | 1-216-049-00 | METAL CHIP | 1K 5% 1/10W |
| R321 | 1-216-053-00 | METAL CHIP | 1.5K 5% 1/10W | R513 | 1-216-009-00 | METAL CHIP | 22 5% 1/10W |
| R322 | 1-216-109-00 | METAL CHIP | 330K 5% 1/10W | R521 | 1-216-049-00 | METAL CHIP | 1K 5% 1/10W |
| R323 | 1-216-079-00 | METAL CHIP | 18K 5% 1/10W | R522 | 1-216-049-00 | METAL CHIP | 1K 5% 1/10W |
| R324 | 1-216-121-00 | METAL CHIP | 1M 5% 1/10W | R523 | 1-216-049-00 | METAL CHIP | 1K 5% 1/10W |
| R325 | 1-216-097-00 | METAL CHIP | 100K 5% 1/10W | R524 | 1-216-049-00 | METAL CHIP | 1K 5% 1/10W |
| R326 | 1-216-097-00 | METAL CHIP | 100K 5% 1/10W | R525 | 1-216-049-00 | METAL CHIP | 1K 5% 1/10W |
| R327 | 1-216-097-00 | METAL CHIP | 100K 5% 1/10W | R526 | 1-216-049-00 | METAL CHIP | 1K 5% 1/10W |
| R328 | 1-216-041-00 | METAL CHIP | 470 5% 1/10W | R527 | 1-216-049-00 | METAL CHIP | 1K 5% 1/10W |
| R329 | 1-216-025-00 | METAL CHIP | 100 5% 1/10W | R528 | 1-216-049-00 | METAL CHIP | 1K 5% 1/10W |
| R330 | 1-216-057-00 | METAL CHIP | 2.2K 5% 1/10W | R530 | 1-216-089-00 | METAL CHIP | 47K 5% 1/10W |
| R331 | 1-216-025-00 | METAL CHIP | 100 5% 1/10W | R531 | 1-216-049-00 | METAL CHIP | 1K 5% 1/10W |
| R332 | 1-216-069-00 | METAL CHIP | 6.8K 5% 1/10W | R532 | 1-216-049-00 | METAL CHIP | 1K 5% 1/10W |
| R333 | 1-216-748-11 | METAL CHIP | 39K 5% 1/10W | R533 | 1-216-049-00 | METAL CHIP | 1K 5% 1/10W |
| R334 | 1-216-105-00 | METAL CHIP | 220K 5% 1/10W | R534 | 1-216-049-00 | METAL CHIP | 1K 5% 1/10W |
| R341 | 1-216-079-00 | METAL CHIP | 18K 5% 1/10W | R535 | 1-216-049-00 | METAL CHIP | 1K 5% 1/10W |
| R342 | 1-216-097-00 | METAL CHIP | 100K 5% 1/10W | R536 | 1-216-049-00 | METAL CHIP | 1K 5% 1/10W |
| R343 | 1-216-073-00 | METAL CHIP | 10K 5% 1/10W | R537 | 1-216-049-00 | METAL CHIP | 1K 5% 1/10W |
| R344 | 1-216-049-00 | METAL CHIP | 1K 5% 1/10W | R538 | 1-216-049-00 | METAL CHIP | 1K 5% 1/10W |
| R345 | 1-216-049-00 | METAL CHIP | 1K 5% 1/10W | R539 | 1-216-049-00 | METAL CHIP | 1K 5% 1/10W |
| R346 | 1-216-049-00 | METAL CHIP | 1K 5% 1/10W | R540 | 1-216-073-00 | METAL CHIP | 10K 5% 1/10W |
| R347 | 1-216-049-00 | METAL CHIP | 1K 5% 1/10W | R541 | 1-216-073-00 | METAL CHIP | 10K 5% 1/10W |
| R348 | 1-216-041-00 | METAL CHIP | 470 5% 1/10W | R542 | 1-216-041-00 | METAL CHIP | 470 5% 1/10W |
| R349 | 1-216-025-00 | METAL CHIP | 100 5% 1/10W | R551 | 1-216-061-00 | METAL CHIP | 3.3K 5% 1/10W |
| R351 | 1-216-089-00 | METAL CHIP | 47K 5% 1/10W | R552 | 1-216-041-00 | METAL CHIP | 470 5% 1/10W |
| R352 | 1-216-077-00 | METAL CHIP | 15K 5% 1/10W | R553 | 1-216-045-00 | METAL CHIP | 680 5% 1/10W |
| R354 | 1-216-079-00 | METAL CHIP | 18K 5% 1/10W | R554 | 1-216-049-00 | METAL CHIP | 1K 5% 1/10W |
| R371 | 1-216-053-00 | METAL CHIP | 1.5K 5% 1/10W | R555 | 1-216-053-00 | METAL CHIP | 1.5K 5% 1/10W |
| R372 | 1-216-109-00 | METAL CHIP | 330K 5% 1/10W | R561 | 1-216-061-00 | METAL CHIP | 3.3K 5% 1/10W |
| R373 | 1-216-079-00 | METAL CHIP | 18K 5% 1/10W | R562 | 1-216-041-00 | METAL CHIP | 470 5% 1/10W |
| R374 | 1-216-121-00 | METAL CHIP | 1M 5% 1/10W | R563 | 1-216-045-00 | METAL CHIP | 680 5% 1/10W |
| R375 | 1-216-097-00 | METAL CHIP | 100K 5% 1/10W | R564 | 1-216-049-00 | METAL CHIP | 1K 5% 1/10W |
| R376 | 1-216-097-00 | METAL CHIP | 100K 5% 1/10W | R565 | 1-216-053-00 | METAL CHIP | 1.5K 5% 1/10W |
| R377 | 1-216-097-00 | METAL CHIP | 100K 5% 1/10W | R566 | 1-216-057-00 | METAL CHIP | 2.2K 5% 1/10W |
| R378 | 1-216-041-00 | METAL CHIP | 470 5% 1/10W | R571 | 1-216-045-00 | METAL CHIP | 680 5% 1/10W |
| R379 | 1-216-025-00 | METAL CHIP | 100 5% 1/10W | R572 | 1-216-045-00 | METAL CHIP | 680 5% 1/10W |

When indicating parts by reference number, please include the board name.

AUDIO **PANEL** **VOLUME** **CONNECTOR** **POWER SUPPLY**
POWER AMP **TRANSFORMER(A)** **TRANSFORMER(B)** **JACK**
TRANSFORMER(C) **SPEAKER** **CONNECTOR(A)** **CONNECTOR(B)**

| Ref. No. | Part No. | Description | Remarks | Ref. No. | Part No. | Description | Remarks |
|----------|--------------|----------------------------------|------------------|----------|--------------|------------------------------|---------|
| R573 | 1-216-045-00 | METAL CHIP | 680 5% 1/10W | S564 | 1-572-198-11 | SWITCH, KEY BOARD (DBFB) | |
| R574 | 1-216-045-00 | METAL CHIP | 690 5% 1/10W | S565 | 1-572-198-11 | SWITCH, KEY BOARD (PRESET ▷) | |
| R575 | 1-216-045-00 | METAL CHIP | 680 5% 1/10W | S567 | 1-572-198-11 | SWITCH, KEY BOARD (PRESET ◁) | |
| R576 | 1-216-045-00 | METAL CHIP | 680 5% 1/10W | | | (CRYSTAL) | |
| R577 | 1-216-037-00 | METAL CHIP | 330 5% 1/10W | | | | |
| R581 | 1-216-049-00 | METAL CHIP | 1K 5% 1/10W | X501 | 1-577-364-11 | VIBRATOR, CERAMIC (12MHz) | |
| R582 | 1-216-049-00 | METAL CHIP | 1K 5% 1/10W | | | | |
| R583 | 1-216-049-00 | METAL CHIP | 1K 5% 1/10W | | | | |
| R584 | 1-216-049-00 | METAL CHIP | 1K 5% 1/10W | | | | |
| R585 | 1-216-049-00 | METAL CHIP | 1K 5% 1/10W | | | | |
| R586 | 1-216-049-00 | METAL CHIP | 1K 5% 1/10W | | | | |
| R587 | 1-216-049-00 | METAL CHIP | 1K 5% 1/10W | | | | |
| R588 | 1-216-073-00 | METAL CHIP | 10K 5% 1/10W | | | | |
| R591 | 1-216-049-00 | METAL CHIP | 1K 5% 1/10W | | | | |
| R592 | 1-216-049-00 | METAL CHIP | 1K 5% 1/10W | | | | |
| R593 | 1-216-043-00 | METAL CHIP | 560 5% 1/10W | | | | |
| R594 | 1-216-065-00 | METAL CHIP | 4. 7K 5% 1/10W | | | | |
| R601 | 1-216-075-00 | METAL CHIP | 12K 5% 1/10W | | | | |
| R602 | 1-216-049-00 | METAL CHIP | 1K 5% 1/10W | | | | |
| R603 | 1-216-075-00 | METAL CHIP | 12K 5% 1/10W | | | | |
| R604 | 1-216-295-00 | METAL CHIP | 0 5% 1/10W | | | | |
| R606 | 1-216-021-00 | METAL CHIP | 68 5% 1/10W | | | | |
| R651 | 1-216-075-00 | METAL CHIP | 12K 5% 1/10W | | | | |
| R652 | 1-216-049-00 | METAL CHIP | 1K 5% 1/10W | | | | |
| R653 | 1-216-075-00 | METAL CHIP | 12K 5% 1/10W | | | | |
| R654 | 1-216-017-00 | METAL CHIP | 47 5% 1/10W | | | | |
| R923 | 1-216-025-00 | METAL CHIP | 100 5% 1/10W | | | | |
| R931 | 1-216-057-00 | METAL CHIP | 2. 2K 5% 1/10W | | | | |
| R932 | 1-216-025-00 | METAL CHIP | 100 5% 1/10W | | | | |
| R933 | 1-216-073-00 | METAL CHIP | 10K 5% 1/10W | | | | |
| R934 | 1-216-073-00 | METAL CHIP | 10K 5% 1/10W | | | | |
| R941 | 1-216-073-00 | METAL CHIP | 10K 5% 1/10W | | | | |
| R951 | 1-216-073-00 | METAL CHIP | 10K 5% 1/10W | | | | |
| R952 | 1-216-065-00 | METAL CHIP | 4. 7K 5% 1/10W | | | | |
| R953 | 1-216-025-00 | METAL CHIP | 100 5% 1/10W | | | | |
| | | (VARIABLE RESISTOR) | | | | | |
| RV591 | 1-241-418-11 | RES. VAR, CARBON 10K (VOLUME) | | | | | |
| | | (SWITCH) | | | | | |
| S551 | 1-572-198-11 | SWITCH, KEY BOARD (SYSTEM POWER) | | | | | |
| S552 | 1-572-198-11 | SWITCH, KEY BOARD (FUNCTION >) | | | | | |
| S553 | 1-572-198-11 | SWITCH, KEY BOARD (FUNCTION <) | | | | | |
| S554 | 1-572-198-11 | SWITCH, KEY BOARD (WAKE UP) | | | | | |
| S555 | 1-572-198-11 | SWITCH, KEY BOARD (DISPLAY) | | | | | |
| S561 | 1-572-198-11 | SWITCH, KEY BOARD (DIRECT) | | | | | |
| S562 | 1-572-198-11 | SWITCH, KEY BOARD (EQ) | | | | | |
| S563 | 1-572-198-11 | SWITCH, KEY BOARD (S-SUR) | | | | | |
| | | (CAPACITOR) | | | | | |
| C401 | 1-162-282-31 | CERAMIC | 100PF 10% 50V | | | | |
| C451 | 1-162-282-31 | CERAMIC | 100PF 10% 50V | | | | |
| C605 | 1-161-379-00 | CERAMIC | 0. 01uF 20% 25V | | | | |
| C611 | 1-162-294-31 | CERAMIC | 0. 001uF 10% 50V | | | | |
| C612 | 1-124-903-11 | ELECT | 1uF 20% 50V | | | | |
| C613 | 1-162-294-31 | CERAMIC | 0. 001uF 10% 50V | | | | |
| C614 | 1-124-120-11 | ELECT | 220uF 20% 25V | | | | |
| C615 | 1-124-464-11 | ELECT | 0. 22uF 20% 50V | | | | |
| C616 | 1-162-294-31 | CERAMIC | 0. 001uF 10% 50V | | | | |
| C617 | 1-124-903-11 | ELECT | 1uF 20% 50V | | | | |
| C618 | 1-124-903-11 | ELECT | 1uF 20% 50V | | | | |
| C620 | 1-161-379-00 | CERAMIC | 0. 01uF 20% 25V | | | | |
| C655 | 1-161-379-00 | CERAMIC | 0. 01uF 20% 25V | | | | |
| C701 | 1-126-176-11 | ELECT | 220uF 20% 10V | | | | |
| C702 | 1-126-176-11 | ELECT | 220uF 20% 10V | | | | |

When indicating parts by reference number, please include the board name.

POWER SUPPLY

POWER AMP

TRANSFORMER(A)

TRANSFORMER(B)

JACK

TRANSFORMER(C)

SPEAKER

CONNECTOR(A)

CONNECTOR(B)

| Ref. No. | Part No. | Description | Remarks | Ref. No. | Part No. | Description | Remarks |
|----------|----------------|-------------------------------|------------|--------------------|----------|----------------|--------------------------------------|
| C704 | 1-162-306-11 | CERAMIC | 0.01uF 20% | 16V | CN904 | * 1-569-502-11 | PIN, CONNECTOR 7P |
| C705 | 1-161-494-00 | CERAMIC | 0.022uF | 25V | CN911 | * 1-580-939-11 | SOCKET, CONNECTOR 4P |
| C706 | 1-124-927-11 | ELECT | 4.7uF 20% | 100V | CN912 | * 1-580-939-11 | SOCKET, CONNECTOR 4P (E, EA) |
| C707 | 1-124-478-11 | ELECT | 100uF 20% | 25V | CN913 | * 1-569-493-11 | SOCKET, CONNECTOR 7P |
| C801 | 1-124-907-11 | ELECT | 10uF 20% | 50V | CN914 | * 1-569-502-11 | PIN, CONNECTOR 7P |
| C802 | 1-162-290-31 | CERAMIC | 470PF 10% | 50V (Except G, IT) | CN921 | * 1-569-502-11 | PIN, CONNECTOR 7P |
| C803 | 1-124-122-11 | ELECT | 100uF 20% | 35V | CN922 | * 1-569-496-11 | SOCKET, CONNECTOR 10P |
| C804 | 1-162-282-31 | CERAMIC | 100PF 10% | 50V | CN931 | * 1-569-493-11 | SOCKET, CONNECTOR 7P |
| C806 | 1-124-910-11 | ELECT | 47uF 20% | 50V | CN932 | * 1-569-493-11 | SOCKET, CONNECTOR 7P |
| C807 | 1-124-122-11 | ELECT | 100uF 20% | 50V | | | |
| C809 | 1-126-233-11 | ELECT | 22uF 20% | 50V | | | (DIODE) |
| C810 | 1-136-165-00 | FILM | 0.1uF 5% | 50V | D701 | 8-719-912-20 | DIODE 1SS120 |
| C812 | 1-136-165-00 | FILM | 0.1uF 5% | 50V | D801 | 8-719-912-20 | DIODE 1SS120 |
| C813 | 1-136-165-00 | FILM | 0.1uF 5% | 50V | D811 | 8-719-912-20 | DIODE 1SS120 |
| C814 | 1-164-095-11 | CERAMIC | 0.01uF 10% | 16V (G, IT) | D851 | 8-719-912-20 | DIODE 1SS120 |
| C816 | 1-126-233-11 | ELECT | 22uF 20% | 50V | D901 | 8-719-312-09 | DIODE RBA-402 |
| C851 | 1-124-907-11 | ELECT | 10uF 20% | 50V | D902 | 8-719-912-20 | DIODE 1SS120 |
| C852 | 1-162-290-31 | CERAMIC | 470PF 10% | 50V (Except G, IT) | D903 | 8-719-912-20 | DIODE 1SS120 |
| C853 | 1-124-122-11 | ELECT | 100uF 20% | 35V | | | (FUSE) |
| C854 | 1-162-282-31 | CERAMIC | 100PF 10% | 50V | F402 | △ 1-532-782-21 | FUSE, MICRO (SECONDARY) 4A (US, CND) |
| C856 | 1-124-910-11 | ELECT | 47uF 20% | 50V | F403 | △ 1-532-782-21 | FUSE, MICRO (SECONDARY) 4A (US, CND) |
| C860 | 1-136-165-00 | FILM | 0.1uF 5% | 50V | F901 | △ 1-532-285-00 | FUSE T1. 25A (Except US, CND) |
| C863 | 1-136-165-00 | FILM | 0.1uF 5% | 50V | F901 | △ 1-576-104-11 | FUSE 2A (US, CND) |
| C866 | 1-126-233-11 | ELECT | 22uF 20% | 50V | F902 | △ 1-532-286-00 | FUSE T2. 5A (E, EA) |
| C891 | 1-136-165-00 | FILM | 0.1uF 5% | 50V (G, IT) | F911 | △ 1-532-783-21 | FUSE, MICRO (SECONDARY) 5A (US, CND) |
| C892 | 1-136-165-00 | FILM | 0.1uF 5% | 50V (G, IT) | F912 | △ 1-532-783-21 | FUSE, MICRO (SECONDARY) 5A (US, CND) |
| C901 | 1-126-224-11 | ELECT | 4700uF 20% | 42V | | | (IC) |
| C902 | 1-126-224-11 | ELECT | 4700uF 20% | 42V | IC701 | 8-759-111-68 | IC uPC1237HA |
| C903 | 1-136-171-00 | FILM | 0.33uF 5% | 50V | IC801 | 8-749-900-96 | IC STK4142MK2 (Except US, CND) |
| C904 | 1-136-171-00 | FILM | 0.33uF 5% | 50V | IC801 | 8-749-920-09 | IC STK4152MK2 (US, CND) |
| | | | | | | | (IC LINK) |
| | | | | | ICP402 | △ 1-532-845-21 | LINK, IC (Except US, CND) |
| | | | | | ICP403 | △ 1-532-845-21 | LINK, IC (Except US, CND) |
| | | | | | ICP911 | △ 1-532-846-21 | LINK, IC (Except US, CND) |
| | | | | | ICP912 | △ 1-532-846-21 | LINK, IC (Except US, CND) |
| | | | | | | | (JACK) |
| | | | | | J401 | 1-565-304-11 | JACK, PIN 4P (E, EA) |
| | | | | | J402 | 1-569-662-11 | JACK, PIN 1P |
| | | | | | J601 | 1-562-837-21 | JACK |
| | | | | | J611 | 1-562-837-21 | JACK |
| | | | | | | | (COIL) |
| | | | | | L801 | * 1-420-872-00 | COIL, AIR CORE |
| | | | | | L851 | * 1-420-872-00 | COIL, AIR CORE |
| CN411 | * 1-580-739-11 | SOCKET, CONNECTOR 15P | | | | | |
| CN412 | * 1-580-740-11 | SOCKET, CONNECTOR 17P | | | | | |
| CN413 | 1-563-314-11 | CONNECTOR, BOARD TO BOARD 20P | | | | | |
| CN601 | * 1-569-504-11 | PIN, CONNECTOR 9P | | | | | |
| CN701 | 1-563-310-11 | CONNECTOR, BOARD TO BOARD 8P | | | | | |
| CN801 | 1-569-499-21 | PIN, CONNECTOR 3P | | | | | |
| CN802 | * 1-569-505-11 | PIN, CONNECTOR 10P | | | | | |
| CN811 | 1-569-490-11 | SOCKET, CONNECTOR 3P | | | | | |
| CN812 | 1-569-490-11 | SOCKET, CONNECTOR 3P | | | | | |
| CN821 | * 1-569-496-11 | SOCKET, CONNECTOR 10P | | | | | |
| CN822 | * 1-569-496-11 | SOCKET, CONNECTOR 10P | | | | | |
| CN831 | * 1-569-505-11 | PIN, CONNECTOR 10P | | | | | |
| CN832 | * 1-566-123-11 | CONNECTOR, BOARD TO BOARD 8P | | | | | |
| CN901 | △ 1-526-930-11 | INLET, AC (US, CND, E) | | | | | |
| CN901 | △ 1-526-931-11 | INLET, AC (Except US, CND, E) | | | | | |
| CN902 | * 1-580-940-11 | PIN, CONNECTOR 4P | | | | | |
| CN903 | * 1-580-940-11 | PIN, CONNECTOR 4P (E, EA) | | | | | |

The components identified by mark △ or dotted line with mark △ are critical for safety.
Replace only with part number specified.

Les composants identifiés par une marque △ sont critiques pour la sécurité.
Ne les remplacer que par une pièce portant le numéro spécifié.

When indicating parts by reference number, please include the board name.

POWER SUPPLY

POWER AMP

TRANSFORMER(A)

TRANSFORMER(B)

JACK

TRANSFORMER(C)

SPEAKER

CONNECTOR(A)

CONNECTOR(B)

| Ref. No. | Part No. | Description | Remarks | Ref. No. | Part No. | Description | Remarks |
|----------|----------------|---------------------------|---------|----------|----------------|-------------------------------------|---------|
| | | (LINE FILTER) | | | | | |
| LF901 | △ 1-424-485-11 | FILTER, LINE (G, IT) | | R816 | 1-249-438-11 | CARBON 56K 5% 1/4W | |
| | | (TRANSISTOR) | | R851 | 1-249-417-11 | CARBON 1K 5% 1/4W | |
| Q611 | 8-729-620-05 | TRANSISTOR 2SC2603-EF | | R852 | 1-249-437-11 | CARBON 47K 5% 1/4W | |
| Q612 | 8-729-620-05 | TRANSISTOR 2SC2603-EF | | R853 | 1-249-414-11 | CARBON 560 5% 1/4W | |
| Q701 | 8-729-119-76 | TRANSISTOR 2SA1175-HFE | | R854 | 1-249-437-11 | CARBON 47K 5% 1/4W | |
| Q801 | 8-729-140-84 | TRANSISTOR 2SC1841-PAFAEA | | R855 | 1-247-756-11 | CARBON 2.2K 5% 1/2W | |
| Q851 | 8-729-140-84 | TRANSISTOR 2SC1841-PAFAEA | | R856 | 1-247-756-11 | CARBON 2.2K 5% 1/2W | |
| | | (RESISTOR) | | R859 | △ 1-217-151-00 | RES, METAL PLATE 0.22 2W | |
| R401 | 1-249-417-11 | CARBON 1K 5% 1/4W | | R862 | △ 1-212-958-00 | FUSIBLE 10 5% 1/2W F | |
| R451 | 1-249-417-11 | CARBON 1K 5% 1/4W | | R863 | 1-249-417-11 | CARBON 1K 5% 1/4W | |
| R605 | 1-249-405-11 | CARBON 100 5% 1/4W | | R864 | 1-249-431-11 | CARBON 15K 5% 1/4W | |
| R606 | 1-249-429-11 | CARBON 10K 5% 1/4W | | R865 | 1-249-441-11 | CARBON 100K 5% 1/4W | |
| R611 | 1-249-429-11 | CARBON 10K 5% 1/4W | | R866 | 1-249-437-11 | CARBON 47K 5% 1/4W | |
| R612 | 1-249-417-11 | CARBON 1K 5% 1/4W | | R876 | △ 1-212-881-11 | FUSIBLE 100 5% 1/4W F | |
| R613 | 1-249-429-11 | CARBON 10K 5% 1/4W | | R891 | △ 1-244-825-00 | CARBON 10 5% 1/2W (G, IT) | |
| R614 | 1-249-441-11 | CARBON 100K 5% 1/4W | | R892 | △ 1-244-825-00 | CARBON 10 5% 1/2W (G, IT) | |
| R615 | 1-249-429-11 | CARBON 10K 5% 1/4W | | R901 | △ 1-202-725-00 | SOLID 3.3M 10% 1/2W (US, CND) | |
| R616 | 1-249-429-11 | CARBON 10K 5% 1/4W | | R902 | 1-249-429-11 | CARBON 10K 5% 1/4W | |
| R617 | 1-249-441-11 | CARBON 100K 5% 1/4W | | R903 | △ 1-212-881-11 | FUSIBLE 100 5% 1/4W F | |
| R618 | 1-249-441-11 | CARBON 100K 5% 1/4W | | R921 | △ 1-212-857-00 | FUSIBLE 10 5% 1/4W F | |
| R619 | 1-247-903-00 | CARBON 1M 5% 1/4W | | R925 | 1-216-089-00 | METAL CHIP 47K 5% 1/10W | |
| R620 | 1-249-441-11 | CARBON 100K 5% 1/4W | | | | (VARIABLE RESISTOR) | |
| R655 | 1-249-405-11 | CARBON 100 5% 1/4W | | RV611 | 1-241-140-11 | RES, VAR, CARBON 10K (MIC LEVEL) | |
| R701 | 1-249-433-11 | CARBON 22K 5% 1/4W | | | | (RELAY) | |
| R702 | 1-249-441-11 | CARBON 100K 5% 1/4W | | RY801 | 1-515-533-11 | RELAY | |
| R703 | 1-249-433-11 | CARBON 22K 5% 1/4W | | RY901 | 1-515-626-11 | RELAY | |
| R704 | 1-249-433-11 | CARBON 22K 5% 1/4W | | | | (VOLTAGE SELECTOR) | |
| R705 | 1-249-429-11 | CARBON 10K 5% 1/4W | | S901 | △ 1-572-009-11 | SELECTOR, VOLTAGE (E, EA) | |
| R706 | 1-249-437-11 | CARBON 47K 5% 1/4W | | | | (TERMINAL BOARD) | |
| R801 | 1-249-417-11 | CARBON 1K 5% 1/4W | | TB801 | 1-537-276-21 | TERMINAL BOARD (SP) | |
| R802 | 1-249-437-11 | CARBON 47K 5% 1/4W | | | | (TRANSFORMER) | |
| R803 | 1-249-414-11 | CARBON 560 5% 1/4W | | T1 | △ 1-450-380-11 | TRANSFORMER, POWER (AEP, G, IT) | |
| R804 | 1-249-437-11 | CARBON 47K 5% 1/4W | | T1 | △ 1-450-381-11 | TRANSFORMER, POWER (UK, AUS) | |
| R805 | 1-247-756-11 | CARBON 2.2K 5% 1/2W | | T1 | △ 1-450-382-11 | TRANSFORMER, POWER (E, EA) | |
| R806 | 1-247-756-11 | CARBON 2.2K 5% 1/2W | | T1 | △ 1-450-383-11 | TRANSFORMER, POWER (US, CND) | |
| R807 | △ 1-212-881-11 | FUSIBLE 100 5% 1/4W F | | | | ***** | |
| R808 | △ 1-212-881-11 | FUSIBLE 100 5% 1/4W F | | | | MISCELLANEOUS | |
| R809 | △ 1-217-151-00 | RES, METAL PLATE 0.22 2W | | | | ***** | |
| R810 | 1-247-752-11 | CARBON 1K 5% 1/2W | | | | * 1-535-706-11 PLUG, JUMPER (E, EA) | |
| R811 | 1-247-752-11 | CARBON 1K 5% 1/2W | | | | 1-533-213-31 HOLDER, FUSE | |
| R812 | △ 1-212-958-00 | FUSIBLE 10 5% 1/2W F | | | | | |
| R813 | 1-249-417-11 | CARBON 1K 5% 1/4W | | | | | |
| R814 | 1-249-431-11 | CARBON 15K 5% 1/4W | | | | | |
| R815 | 1-249-441-11 | CARBON 100K 5% 1/4W | | | | | |

The components identified by mark △ or dotted line with mark △ are critical for safety. Replace only with part number specified.

Les composants identifiés par une marque △ sont critiques pour la sécurité. Ne les remplacer que par une pièce portant le numéro spécifié.

When indicating parts by reference number, please include the board name.