

HCD-H1600

SERVICE MANUAL

AEP Model
UK Model



This set is the tuner, deck, CDP and amplifier section in MHC-1600.

SPECIFICATIONS

Tuner Section

System FM stereo, FM/AM
superheterodyne tuner

FM tuner section

Tuning range 87.5 — 108 MHz

Antenna terminals 75 ohms unbalanced

Intermediate frequency
10.7 MHz

AM tuner section

Tuning range For Europe and U.K.
(except Italy)
MW: 531 — 1,602 kHz
LW: 153 — 279 kHz

For Italy
MW: 522 — 1,611 kHz
LW: 144 — 288 kHz

Antenna AM loop antenna
External antenna terminals

Intermediate frequency
450 kHz

Amplifier Section

Continuous RMS power output
30 + 30 watts (6 ohms at 1
kHz, 5% THD)
25 + 25 watts (6 ohms, DIN,
1 kHz)

Music power output
(for the Europe and U.K. model)
45 watts

Peak music power output
(for the models other than Europe and U.K.)
280 watts (6 ohms)

Inputs MIX MIC (minijack):
sensitivity 1 mV,
impedance 600 ohms
DAT IN:
sensitivity 450 mV,
impedance 47 kilohms
For Europe and U.K.
PHONO (phono jacks):
sensitivity 5 mV,
impedance 47 kilohms

Model Name Using Similar Mechanism	CDP-H3600
------------------------------------	-----------

CD Mechanism Name	CDM13BD4A
-------------------	-----------

Base Unit Name	BU-5BD4A
----------------	----------

Outputs HEADPHONES
(stereo minijack):
accepts headphones of 8
ohms or more.
SPEAKER:
accepts speakers of 6 to 16
ohms

Compact Disc Player Section

System Compact disc digital audio
system

Laser Semiconductor laser
($\lambda = 780 \text{ nm}$)

Laser output Emission duration continuous
Max. 44.6 μW *

* This output is the value
measured at distance of
about 200 mm from the
objective lens surface on
the Optical Pick-up Block.

Signal to noise
ratio More than 90 dB

Dynamic range More than 90 dB

Harmonic distortion
Less than 0.05% (at 1 kHz)

Channel separation
More than 90 dB

Output level 2 V (at 50 kilohms)

Load impedance More than 10 kilohms

MINI HI-FI
COMPONENT SYSTEM
SONY®





TABLE OF CONTENTS

<u>Section</u>	<u>Title</u>	<u>Page</u>
1.	GENERAL	3
2.	DISASSEMBLY	5
3.	ADJUSTMENTS	
	Electrical Adjustments	8
4.	DIAGRAMS	
	4-1. Blockdiagram	11
	4-2. Circuit Boards Location	13
	4-3. Semiconductor Lead Layouts	14
	4-4. Printed Wiring Boards	
	— Audio Section — (Former Type)	15
	4-5. Printed Wiring Boards	
	— Audio Section — (New Type)	20
	4-6. Schematic Diagram	
	— Audio Section —	25
	4-7. Printed Wiring Boards	
	— CD Section —	30
	4-8. Schematic Diagram	
	— CD Section —	32
	4-9. Waveforms	35
5.	EXPLODED VIEWS	
	5-1. Front Panel Section	36
	5-2. Chassis Section	37
	5-3. CD Mechanism Section-1	38
	5-4. CD Mechanism Section-2	39
6.	ELECTRICAL PARTS LIST	40

G:Germany

IT:Italian

SAFETY-RELATED COMPONENT WARNING!!

COMPONENTS IDENTIFIED BY MARK  OR DOTTED LINE WITH MARK  ON THE SCHEMATIC DIAGRAMS AND IN THE PARTS LIST ARE CRITICAL TO SAFE OPERATION. REPLACE THESE COMPONENTS WITH SONY PARTS WHOSE PART NUMBERS APPEAR AS SHOWN IN THIS MANUAL OR IN SUPPLEMENTS PUBLISHED BY SONY.

SECTION 1 GENERAL

This section is extracted from instruction manual.

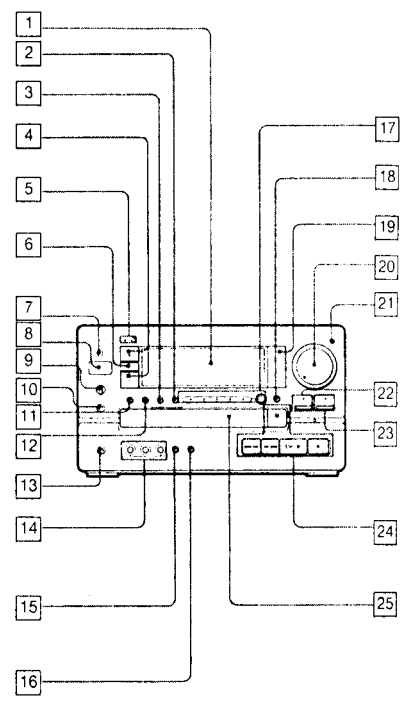
Parts Identification

Refer to the pages indicated in ● for use of the buttons.

Tuner/Amplifier/CD player Section A

- 1 Display window
- 2 MEMORY/NEXT button ●
- 3 TIMER SET button ●
- 4 TUNING PRESET/TIMER +/- buttons ●
- 5 PRESET/TUNING button and PRESET indicator ●
- 6 BAND button ●
- 7 Remote control sensor
- 8 SYSTEM POWER button ●
- 9 MIC (microphone) LEVEL control ●
- 10 MIX MIC (mixing microphone) input jack (minijack) ●
- 11 CLOCK SET button ●
- 12 TIMER SELECT button ●
- 13 HEADPHONES jack (stereo minijack) ●
- 14 PLAY MODE buttons
 - CONTINUE button ●
 - SHUFFLE button ●
 - PROGRAM button ●
- 15 CHECK button ●
- 16 EDIT/TIME FADE button ●
- 17 PRESET button and indicators ●
- 18 EQ (equalizer) ON/OFF button ●
- 19 FUNCTION button ●
- 20 VOLUME control ●
- 21 WAKE UP button ●
- 22 S-SUR (Simulated surround) button and indicator ●
- 23 DBFB (Dynamic Bass Feedback) button and indicator ●
- 24 CD operation buttons
 - △ : OPEN/CLOSE ●
 - : Stop ●
 - ▷|| : Play/pause ●
 - ◀◀ ▶▶ : Manual search (when kept depressed)/Automatic Music Sensor (when pressed) ●
- 25 Disc tray ●

A

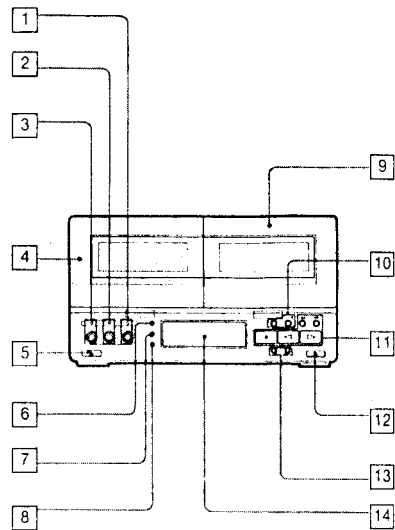


Parts Identification

Cassette Deck Section B

- 1 CD SYNCHRO (CD synchronized recording) button and indicator 88
- 2 NORMAL SPEED (normal-speed dubbing) button and indicator 76
- 3 HIGH SPEED (high-speed dubbing) button and indicator 76
- 4 Cassette holder (Deck A) 54
- 5 △ (eject) button (Deck A) 54
- 6 RESET button 56
- 7 DOLBY NR (Dolby Noise Reduction) button 56
- 8 DIRECTION MODE button 54
- 9 Cassette holder (Deck B) 70
- 10 Tape operation buttons (for Deck B only)
 - ⏸ : PAUSE 54
 - : REC (recording) 70
- 11 Tape operation buttons (for Deck A and B)
 - ⏪ : Fast winding 56
 - : Stop 54
 - ▶ : Forward play 54
 - ◀ : Reverse play 54
- 12 △ (eject) button (Deck B) 70
- 13 DECK A/B selection button 54
- 14 Display window

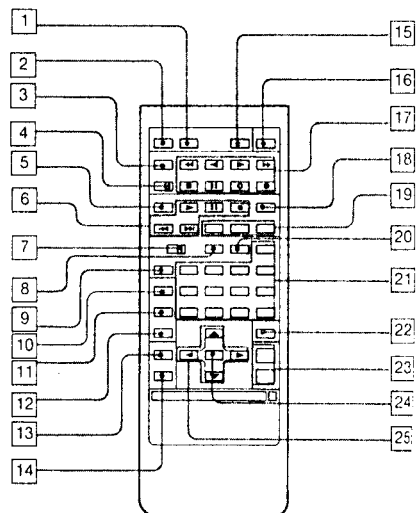
B



Remote Commander C

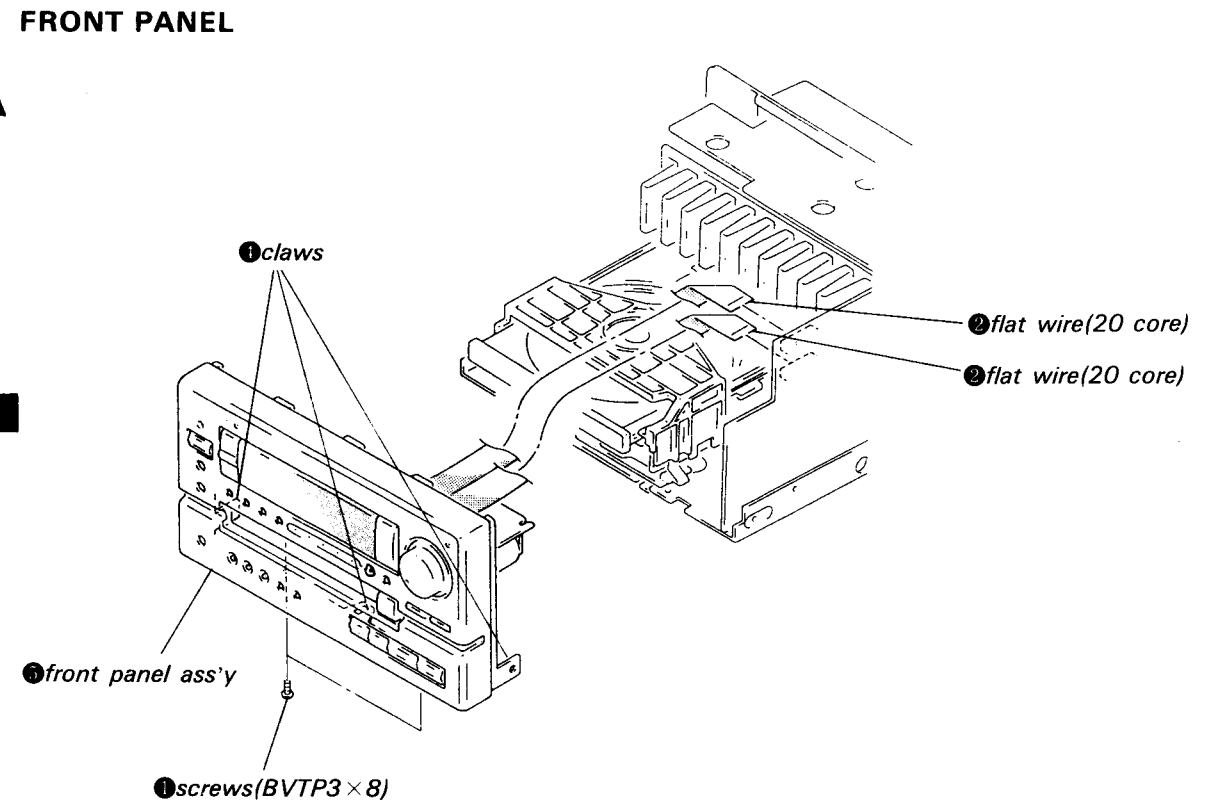
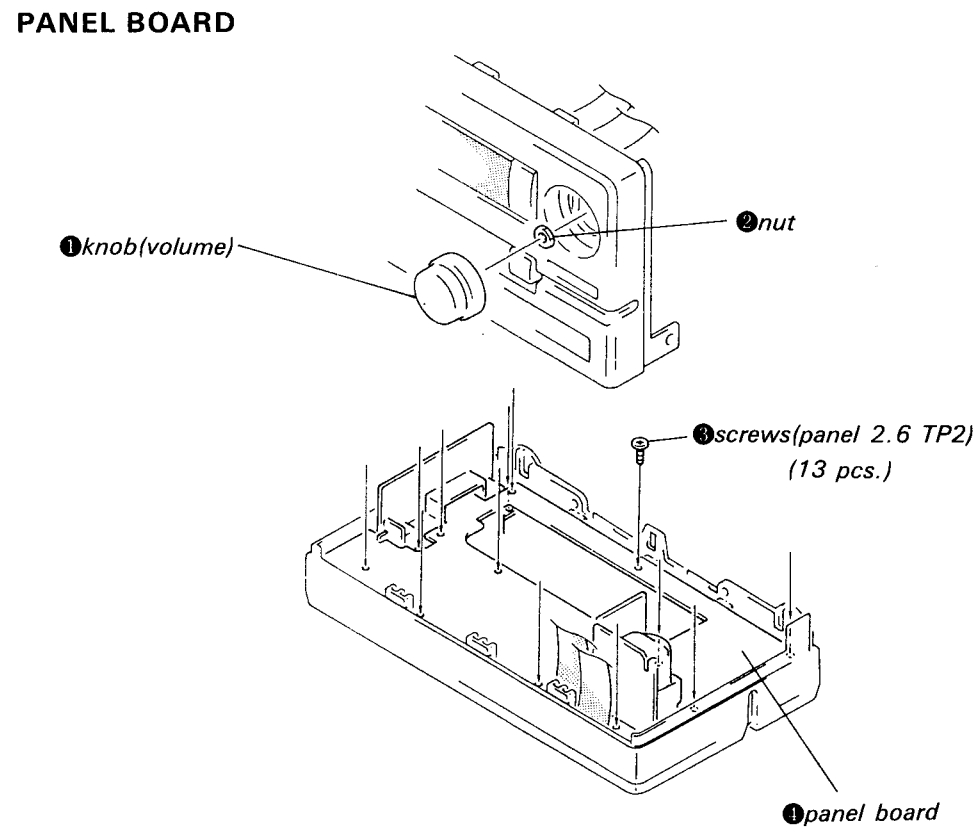
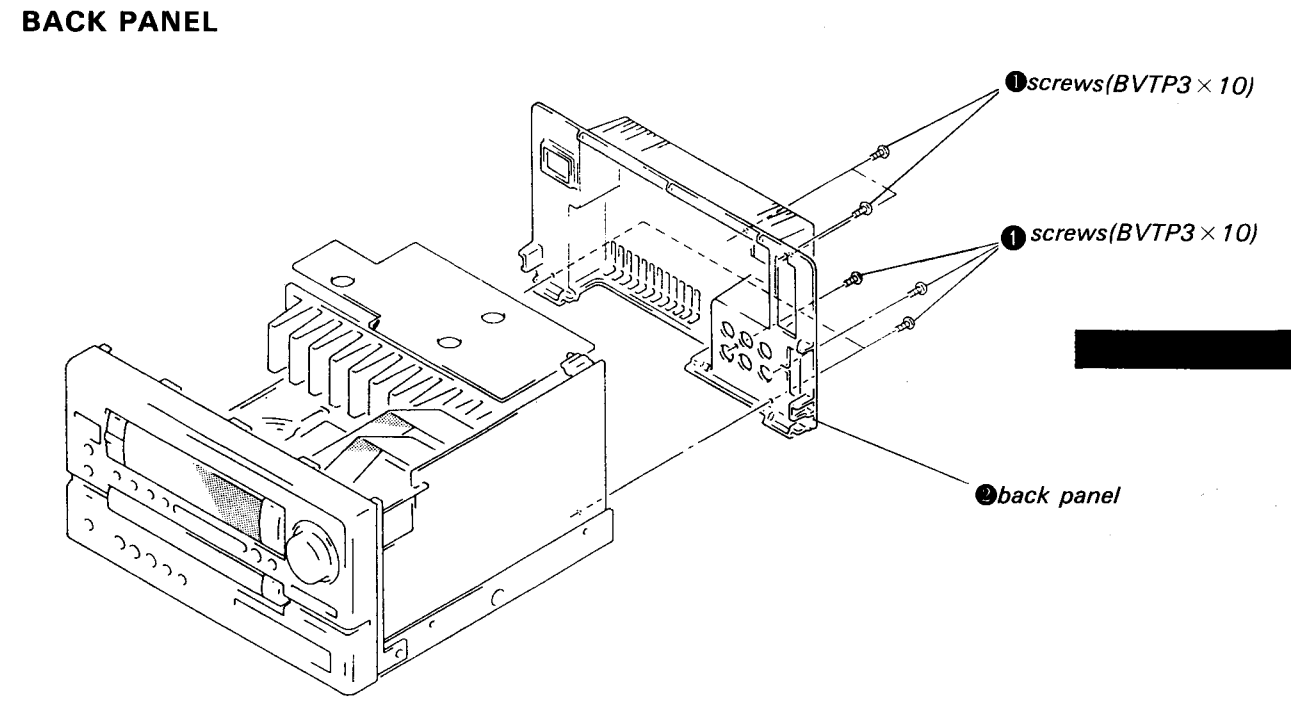
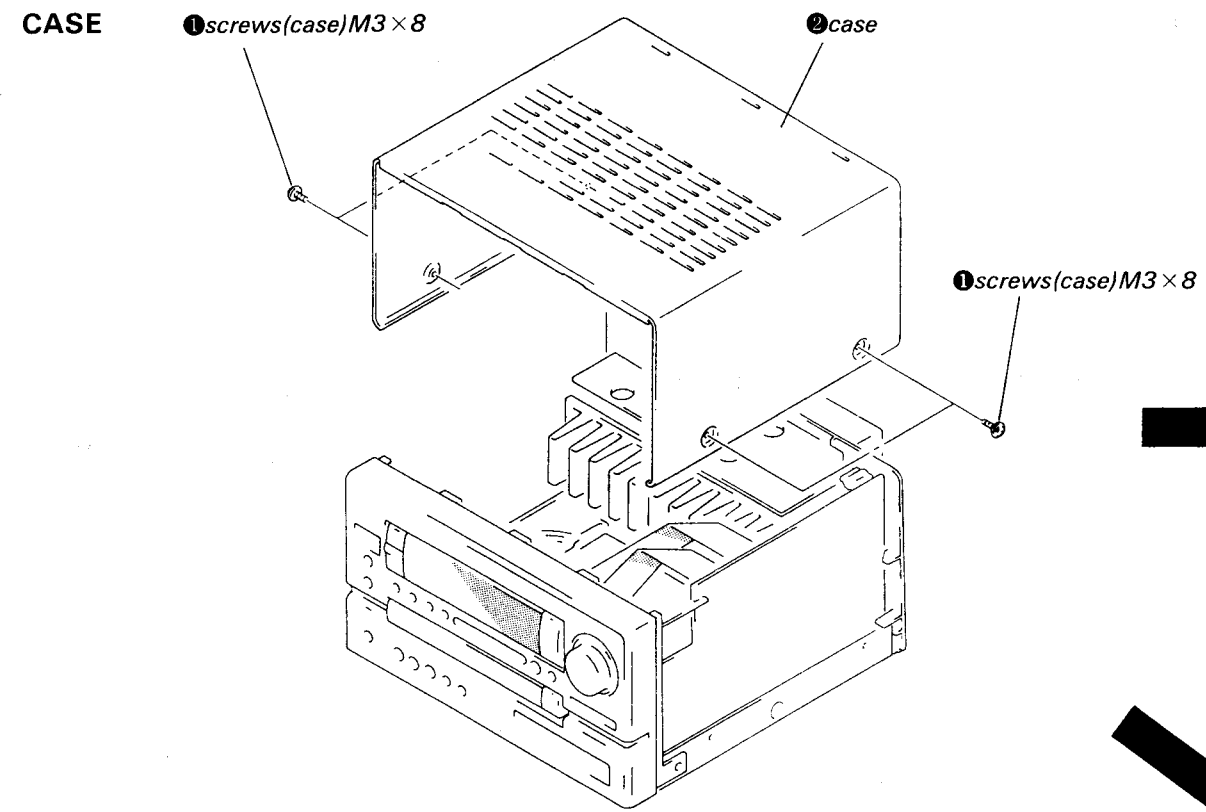
- 1 TIMER SELECT button 110
- 2 CLOCK DISPLAY button 20
- 3 Cassette deck select button
- 4 DECK A/B selector 54
- 5 CD player select button
- 6 CD player operation buttons 24
- 7 TUNER/EQ/CD selector 34
- 8 CHECK (CD player) 40
BAND (tuner) button 48
- 9 Tuner select button
- 10 PHONO select button 18
- 11 DAT select button 18
- 12 VIDEO select button 18
- 13 S-SUR button 22
- 14 DBFB button 22
- 15 SLEEP timer button 110
- 16 SYSTEM POWER button 24
- 17 Tape operation buttons 54 72
- 18 TIME button 28
- 19 PLAY MODE buttons 30
- 20 CLEAR button 36
- 21 TUNER/EQ/CD numeric buttons 34
- 22 MEMORY button 66
- 23 VOLUME +/- control buttons 22
- 24 EQ ON/OFF button 62
- 25 CURSOR CONTROL buttons 64

C

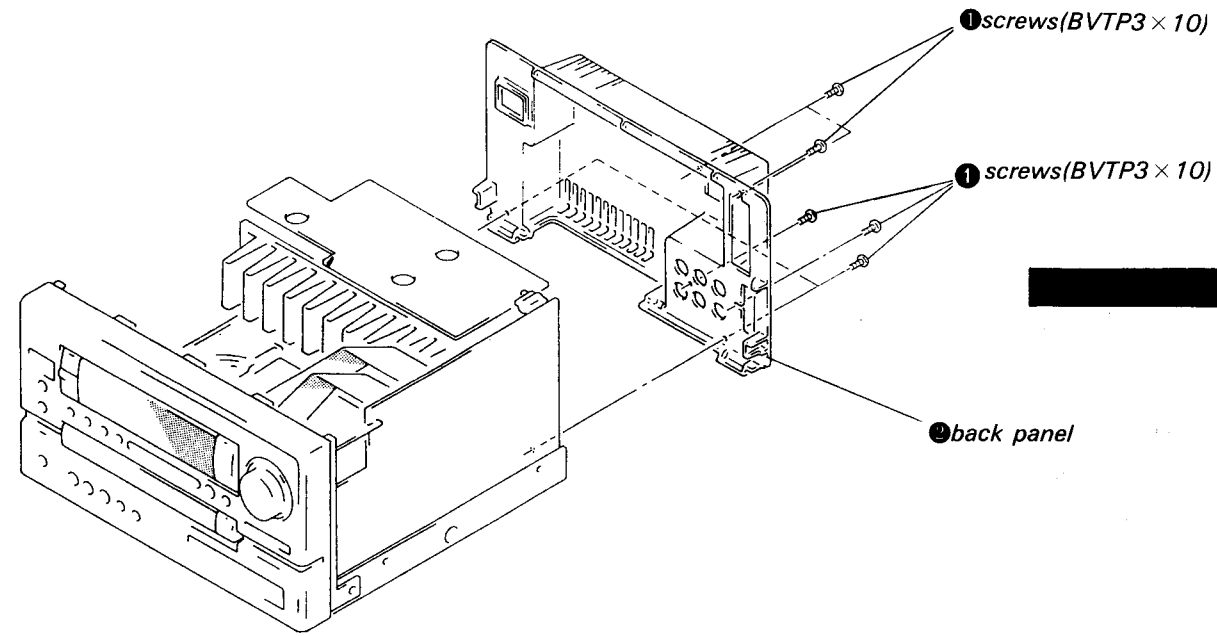


SECTION 2 DISASSEMBLY

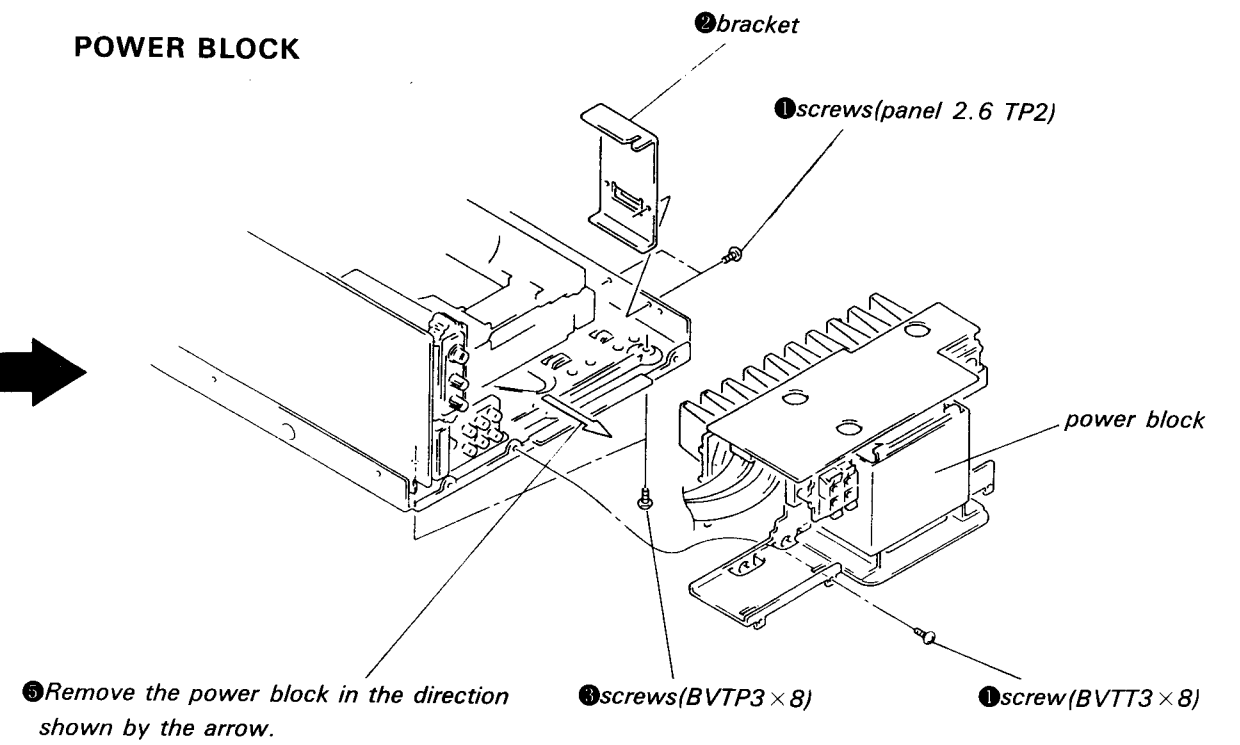
Note: Follow the disassembly procedure in the numerical order given.



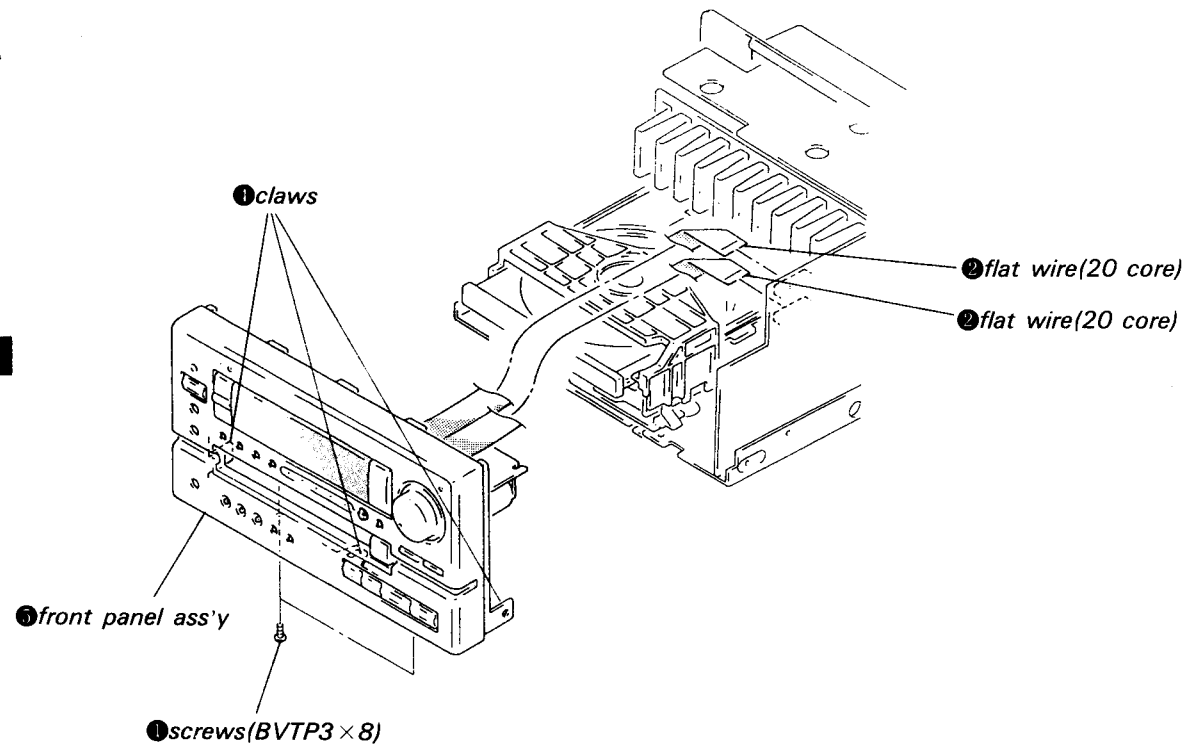
BACK PANEL



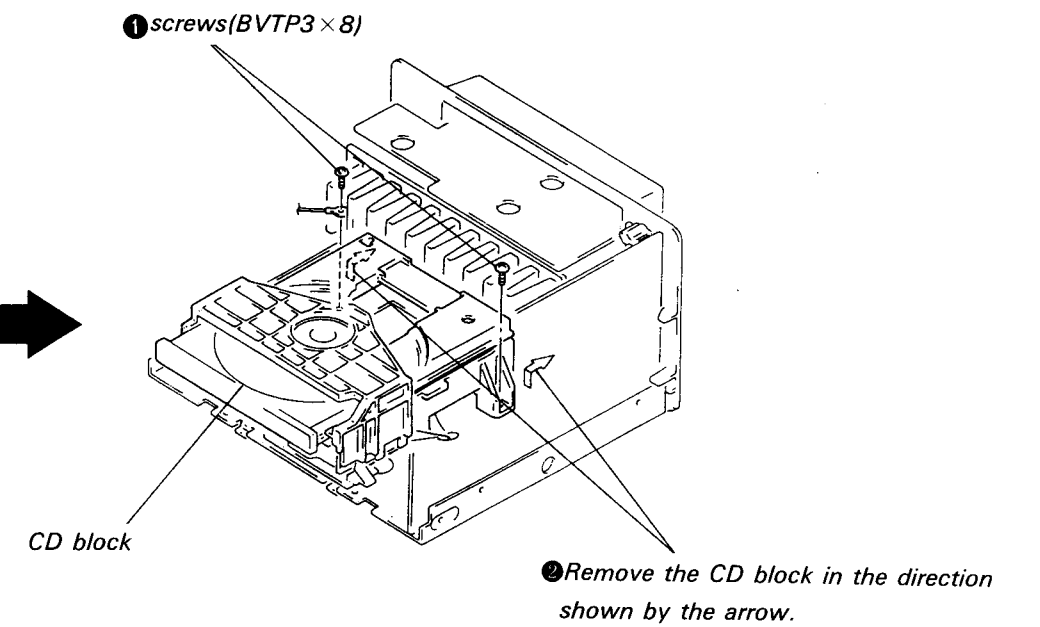
POWER BLOCK



FRONT PANEL



CD BLOCK



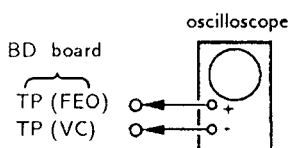
SECTION 3 ADJUSTMENTS ELECTRICAL ADJUSTMENTS

CD SECTION

Note :

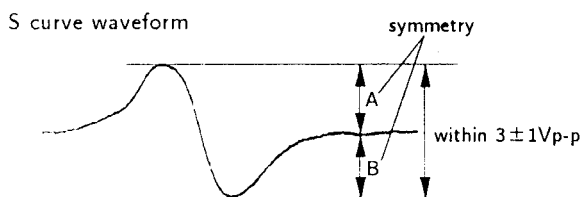
1. CD Block basically constructed to operate without adjustment. Therefore, check each item in order given.
2. Use YEDS-18 disc (3-702-101-01) unless otherwise indicated.
3. Use the oscilloscope with more than $10M\Omega$ impedance.
4. Clean an object lens by an applicator with neutral detergent when the signal level is low than specified value with the following checks.

S Curve Check



Procedure :

1. Connect oscilloscope to test point TP (FEO) on BD board.
2. Connect between test point TP (FES) and TP (VC) by lead wire.
3. Turned Power switch on and actuate the focus serch. (actuate the focus serch when disc table is moving in and out.)
4. Check the oscilloscope waveform (S curve) is symmetrical between A and B. And confirm peak to peak level within $3 \pm 1V_{p-p}$.

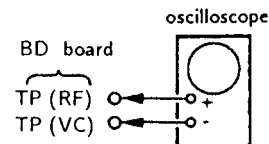


5. After check, remove the lead wire connected in step 2.

Note : • Try to measure several times to make sure that the ratio of A : B or B : A is more than 10 : 7.

- Take sweep time as long as possible and light up the brightness to obtain best waveform.

RF Level Check



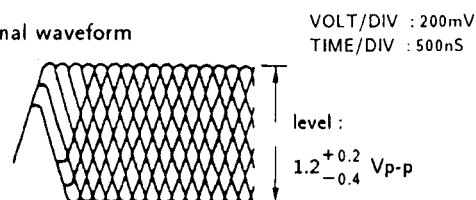
Procedure :

1. Connect oscilloscope to test point TP (RF) on BD board.
2. Turn Power switch on.
3. Put disc (YEDS-18) in and playback.
4. Confirm that oscilloscope waveform is clear and check RF signal level is correct or not.

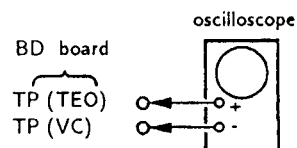
Note :

Clear RF signal waveform means that the shape "◇" can be clearly distinguished at the center of the waveform.

RF signal waveform

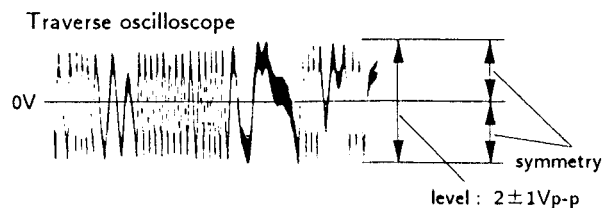


E-F Balance Check



Procedure :

1. Connect test point TP (ADJ) to ground and TP (TES) to TP (VC) with lead wire.
2. Connect oscilloscope to test point TP (TEO) on BD board.
3. Turn Power switch on.
4. Put disc (YEDS-18) in and playback.
5. Confirm that the oscilloscope waveform is symmetrical on the top and bottom in relation to 0V, and check this level.



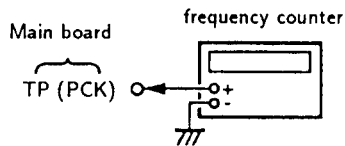
6. Remove the lead wire connected in step 1.

TUNER SECTION

RF PLL Free-run Frequency Check

Procedure :

1. Connect frequency counter to test point (PCK) with lead wire.



2. Turn Power switch on.
3. Confirm that reading on frequency counter is
4. 3218MHz.

Focus/Tracking Gain

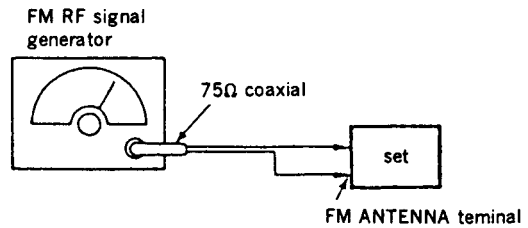
This gain has a margin, so even if it is slightly off. There is no problem.

Therefore, do not perform, this adjustment.

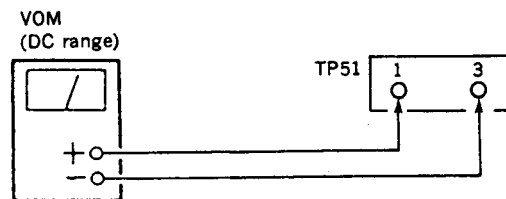
Please note that it should be fixed to mechanical center position when you moved and do not know original position.

FM SECTION ADJUSTMENTS

Setting :



Carrier frequency : 98MHz
Modulation : 1kHz, 40kHz deviation (AEP, UK, G, IT)



FM Discriminator Alignment (NULL Check)

Band : FM

Procedure :

1. Supply a 1mV (60dB μ) 98MHz signal from the ANTENNA terminal.
2. Tune the to 98MHz.
3. Adjust IFT51 for 0V reading on the VOM

Note : FM tuned indication lighting level adjustment should be made after FM discriminator alignment.

FM Tuned Indication Lighting Level Adjustment

Band : FM

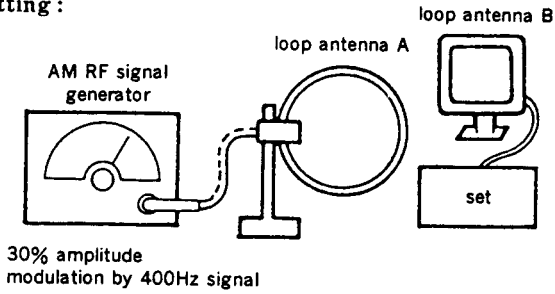
Procedure :

1. Supply a 22.5 μ V(27dB μ)(AEP,UK)or 12.5 μ V(22dB μ)(G,IT) 98 MHz signal from the ANTENNA terminal.
2. Tune the set to 98MHz.
3. Adjust RV52 so that the TUNED light up.

Adjustment Location:TCB011 board

AM SECTION ADJUSTMENTS

Setting :



MW (AM) Tuned Indication Lighting Level Adjustment

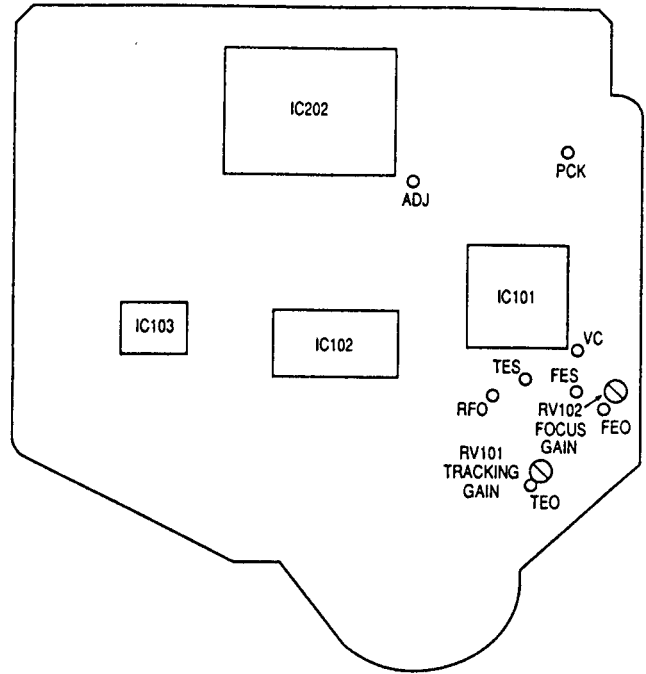
Band : MW or AM

Procedure :

1. Set loop antenna A so that the loop antenna B input level becomes 0.25mV (48dB μ).
2. Tune the set to 1,404kHz .
3. Adjust the RV51 so that the TUNED light up.

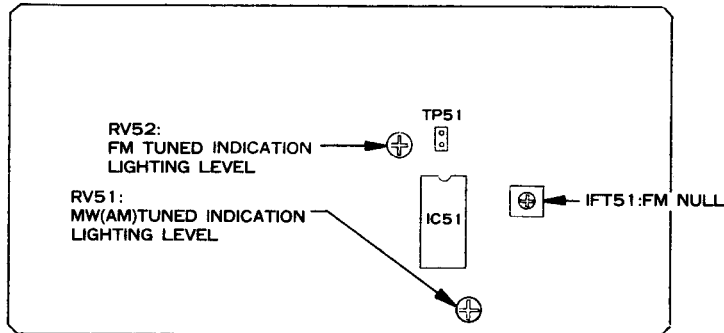
Adjustment Location:

BD BOARD(CONDUCTOR SIDE)



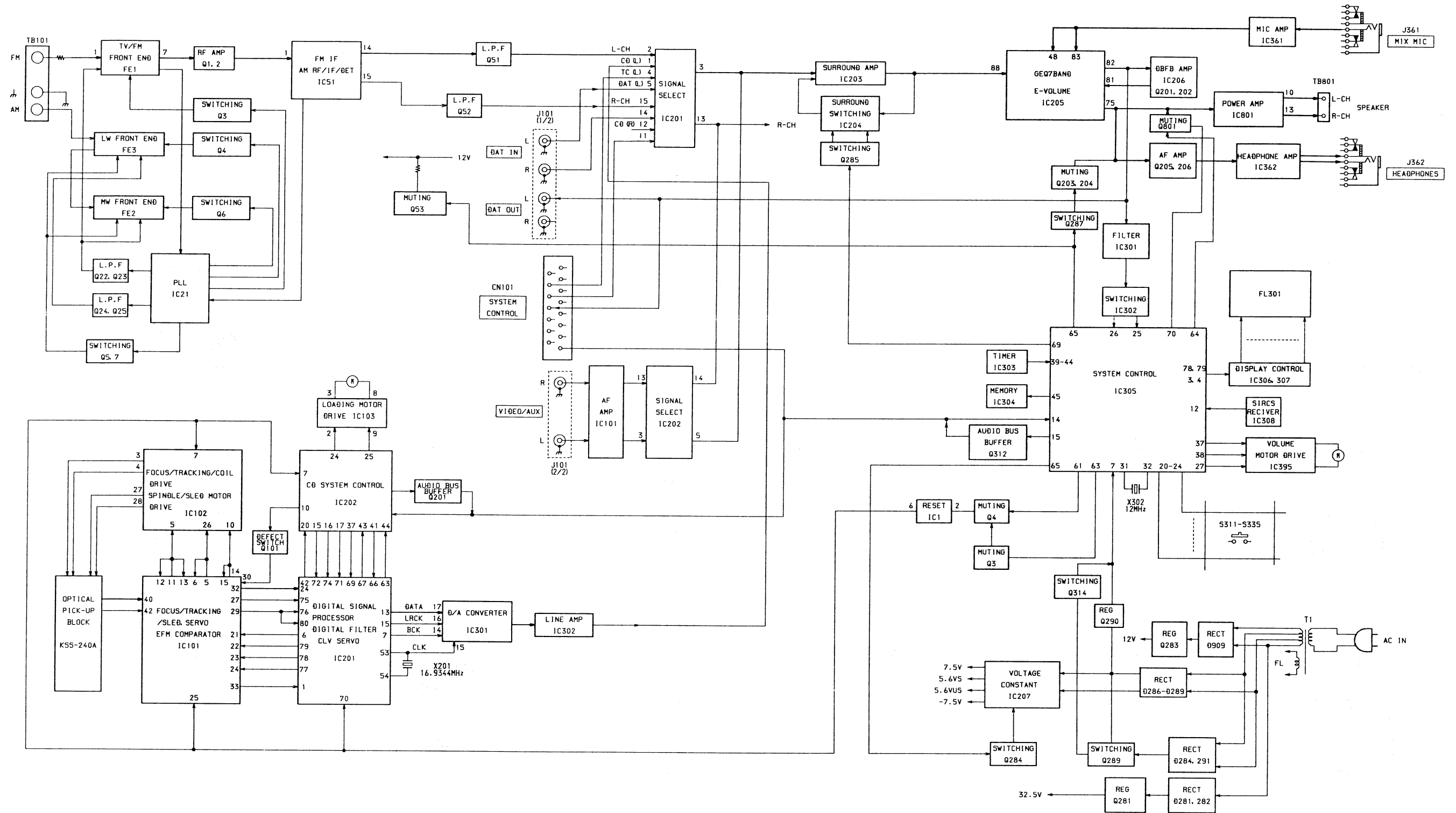
Adjustment Location:

TCB011 BOARD(COMPONENT SIDE)

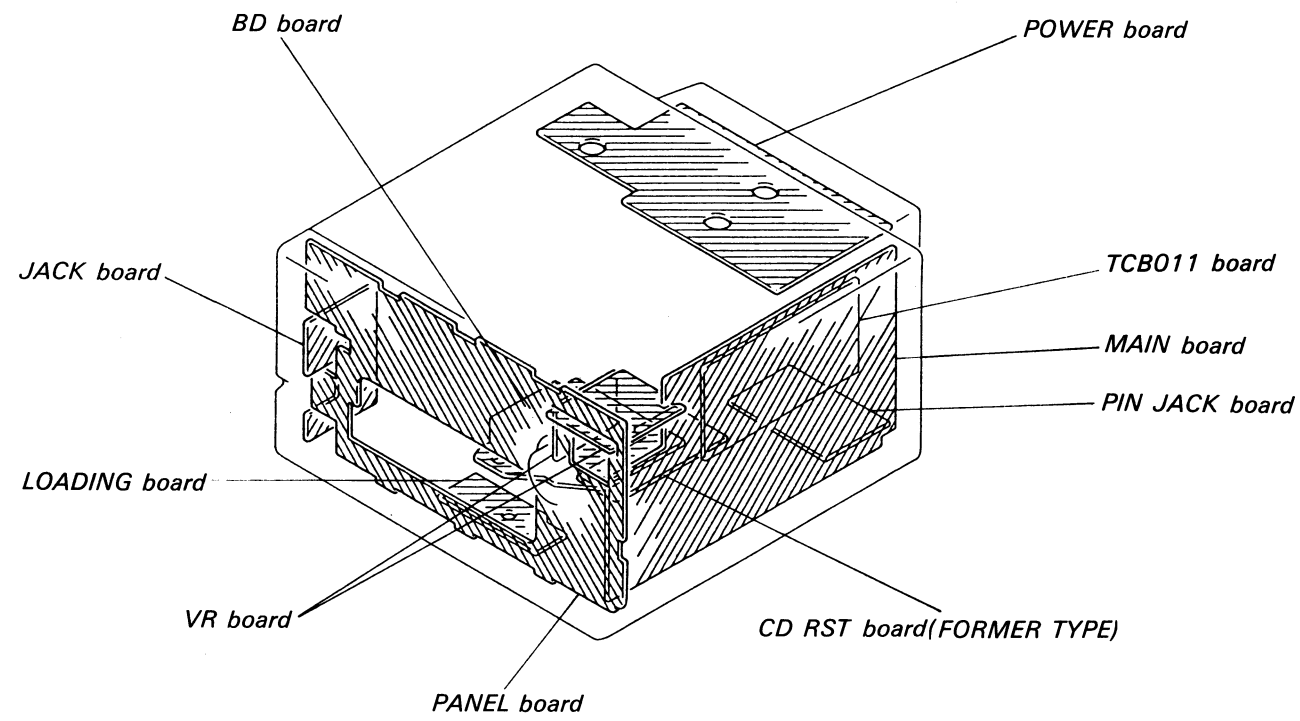


SECTION 4 DIAGRAMS

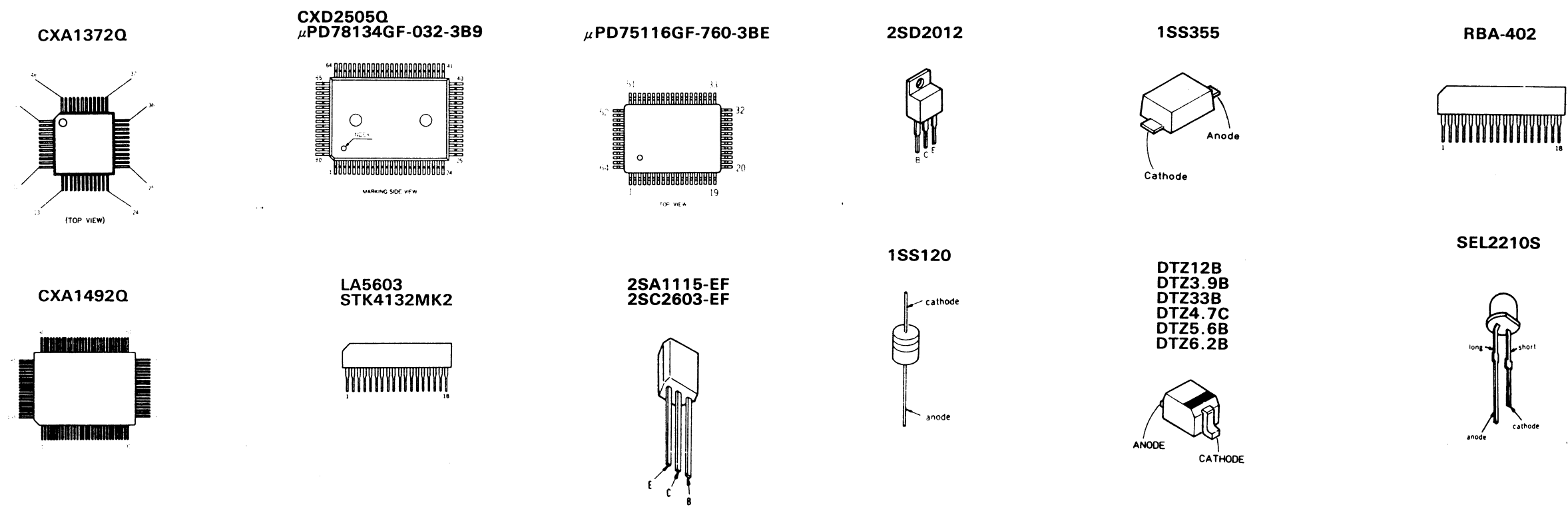
4-1. BLOCKDIAGRAM



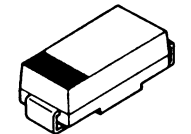
4-2. CIRCUIT BOARDS LOCATION



4-3. SEMICONDUCTOR LEAD LAYOUTS



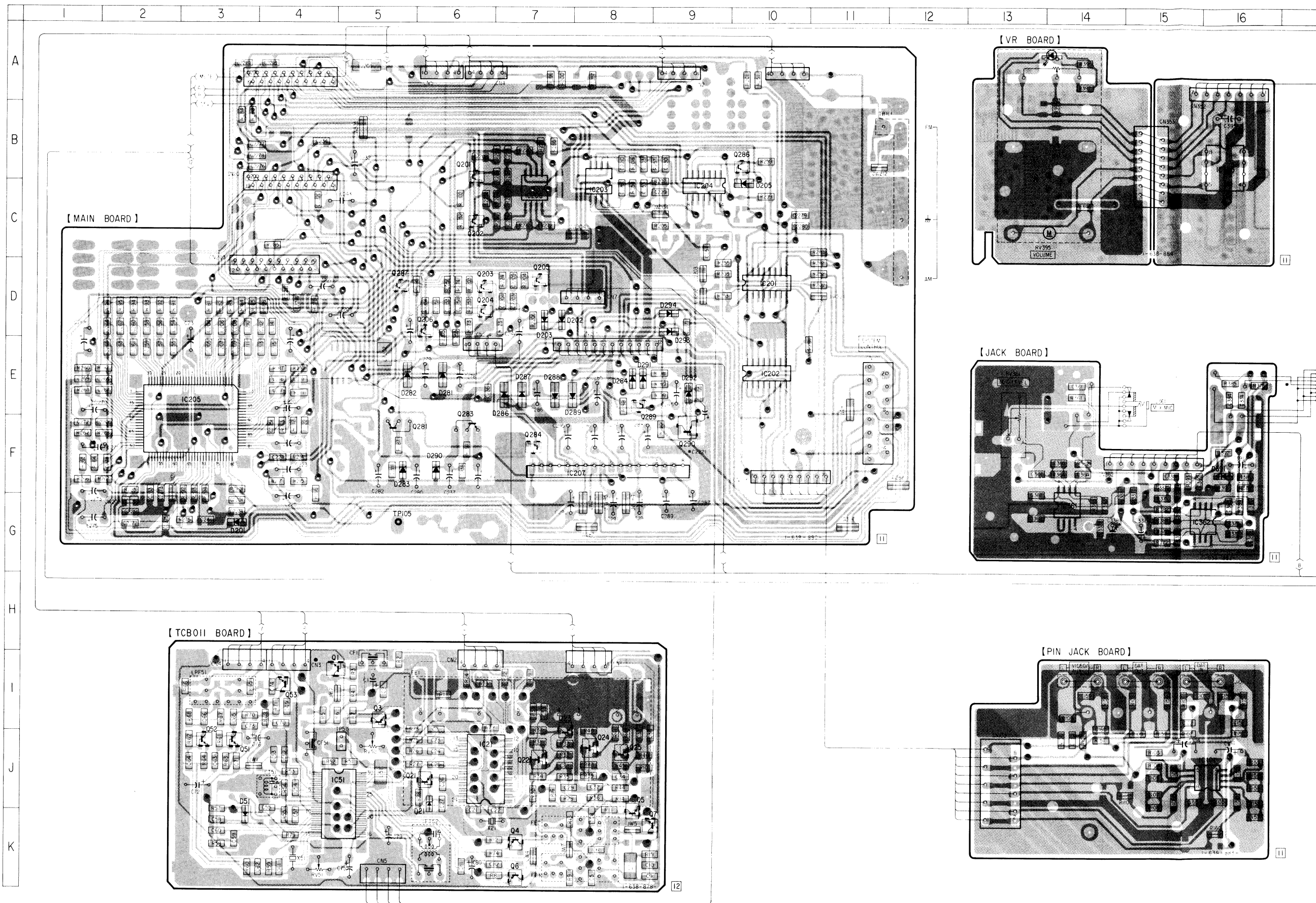
EC10DS2
EC10QS-04

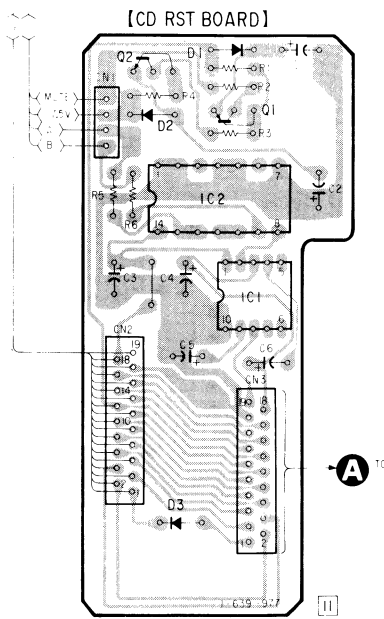
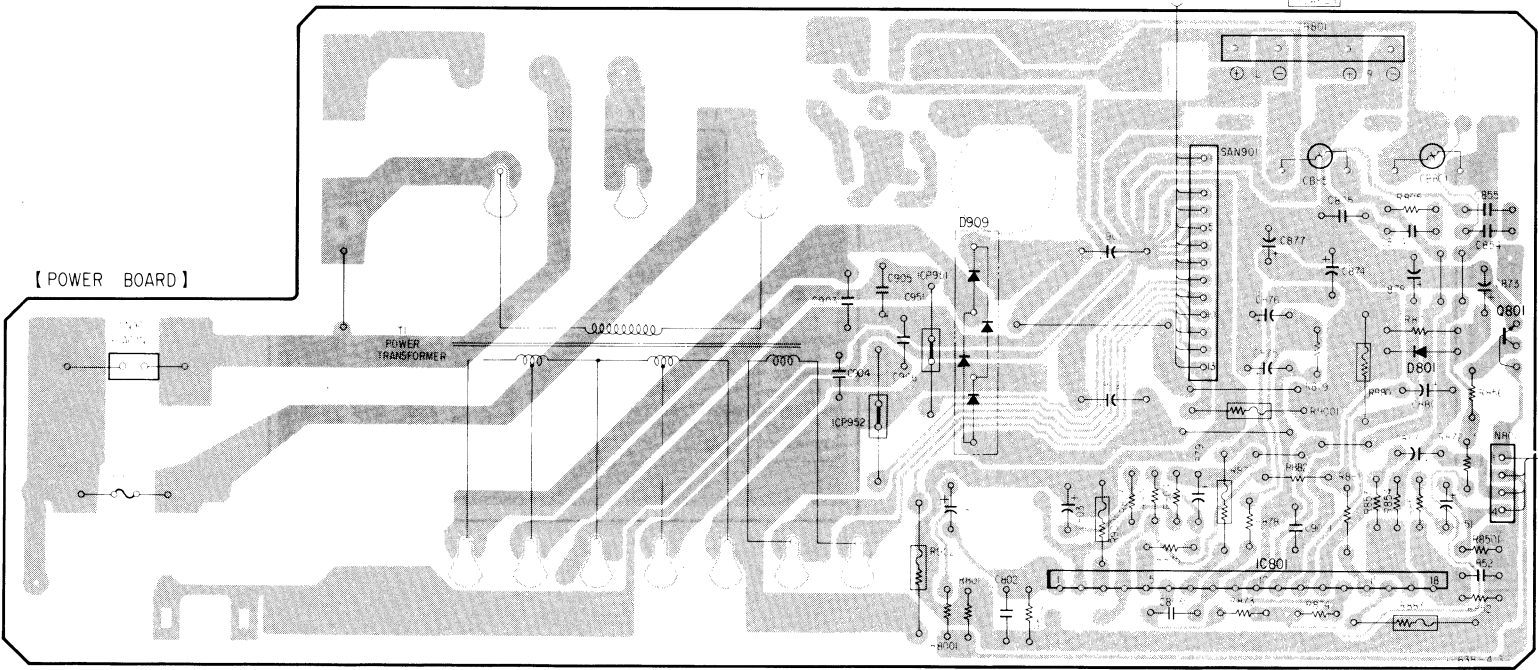
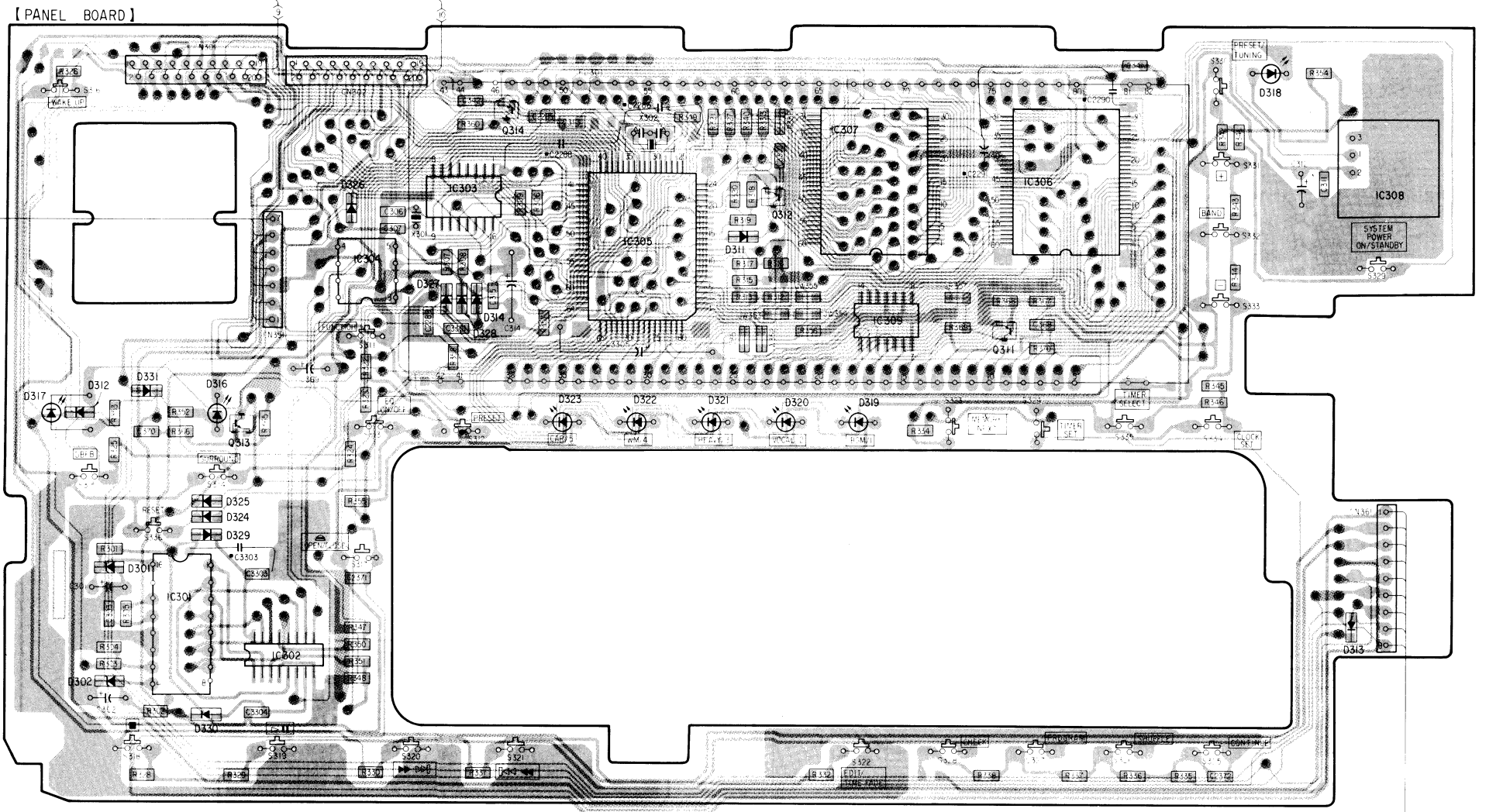
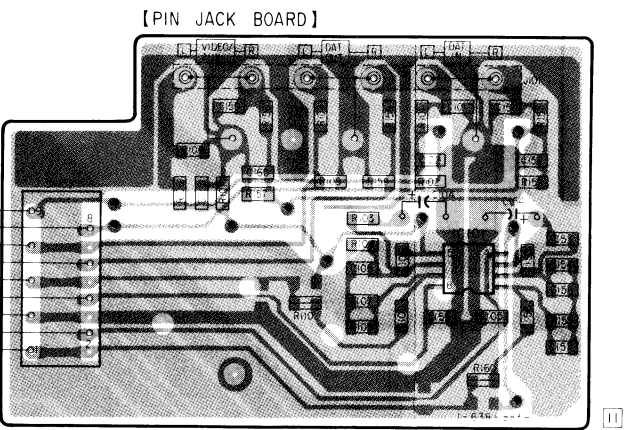
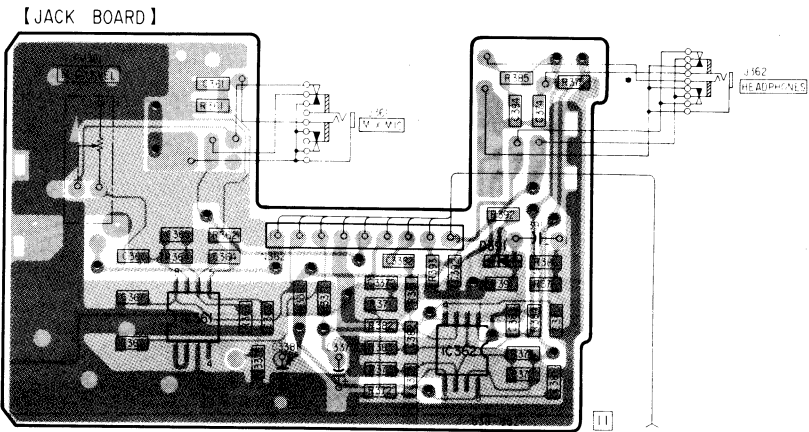
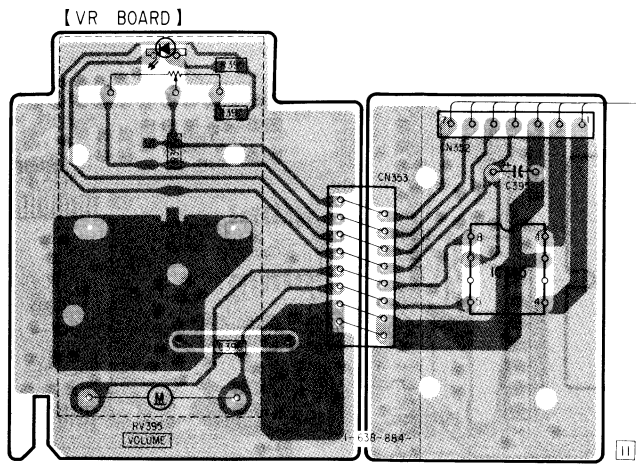
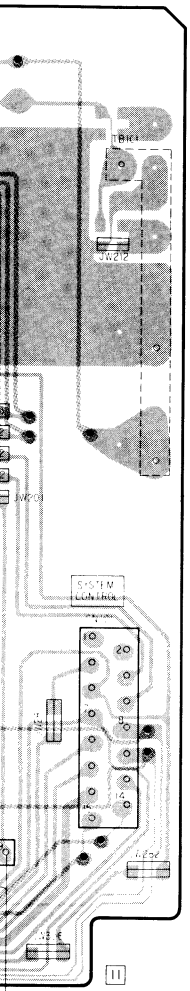


4-4. PRINTED WIRING BOARDS — Audio Section(FORMER TYPE) —

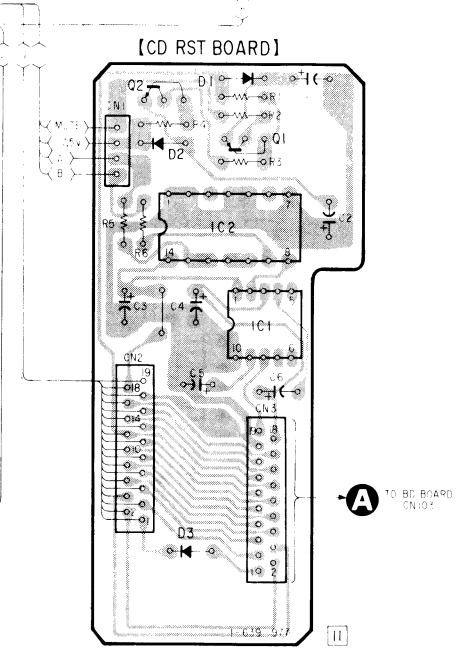
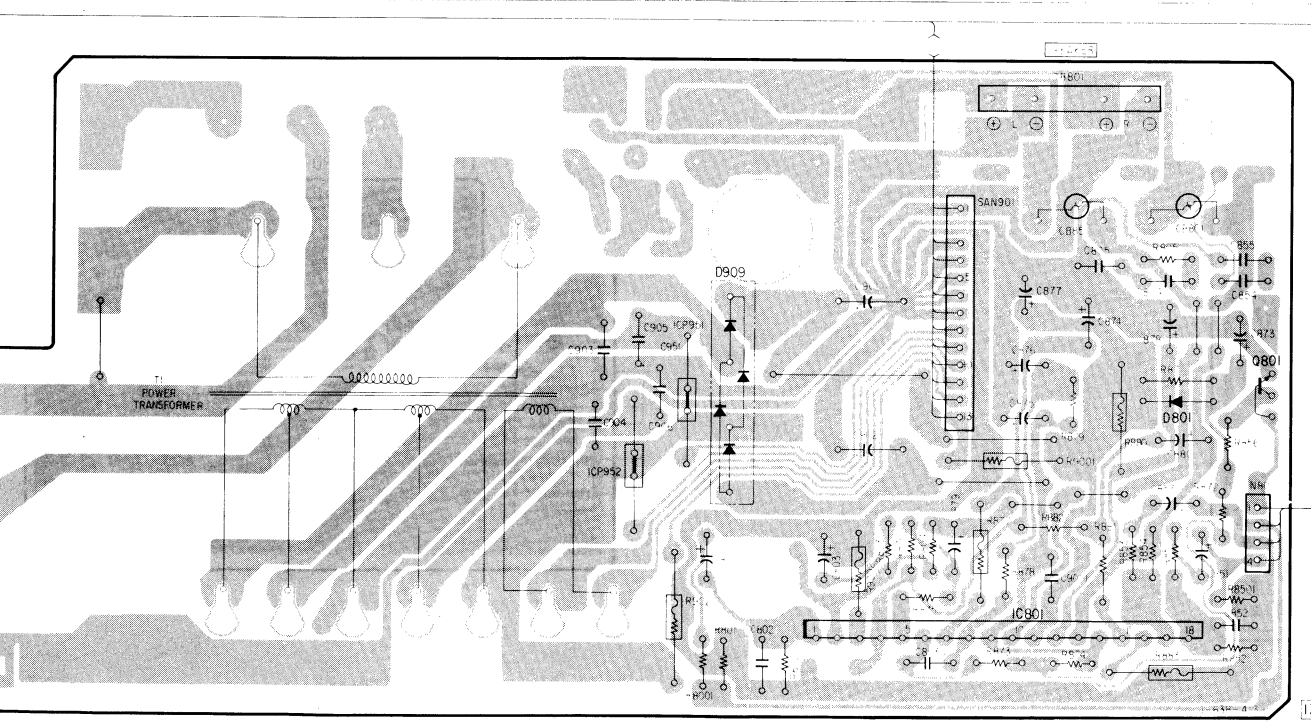
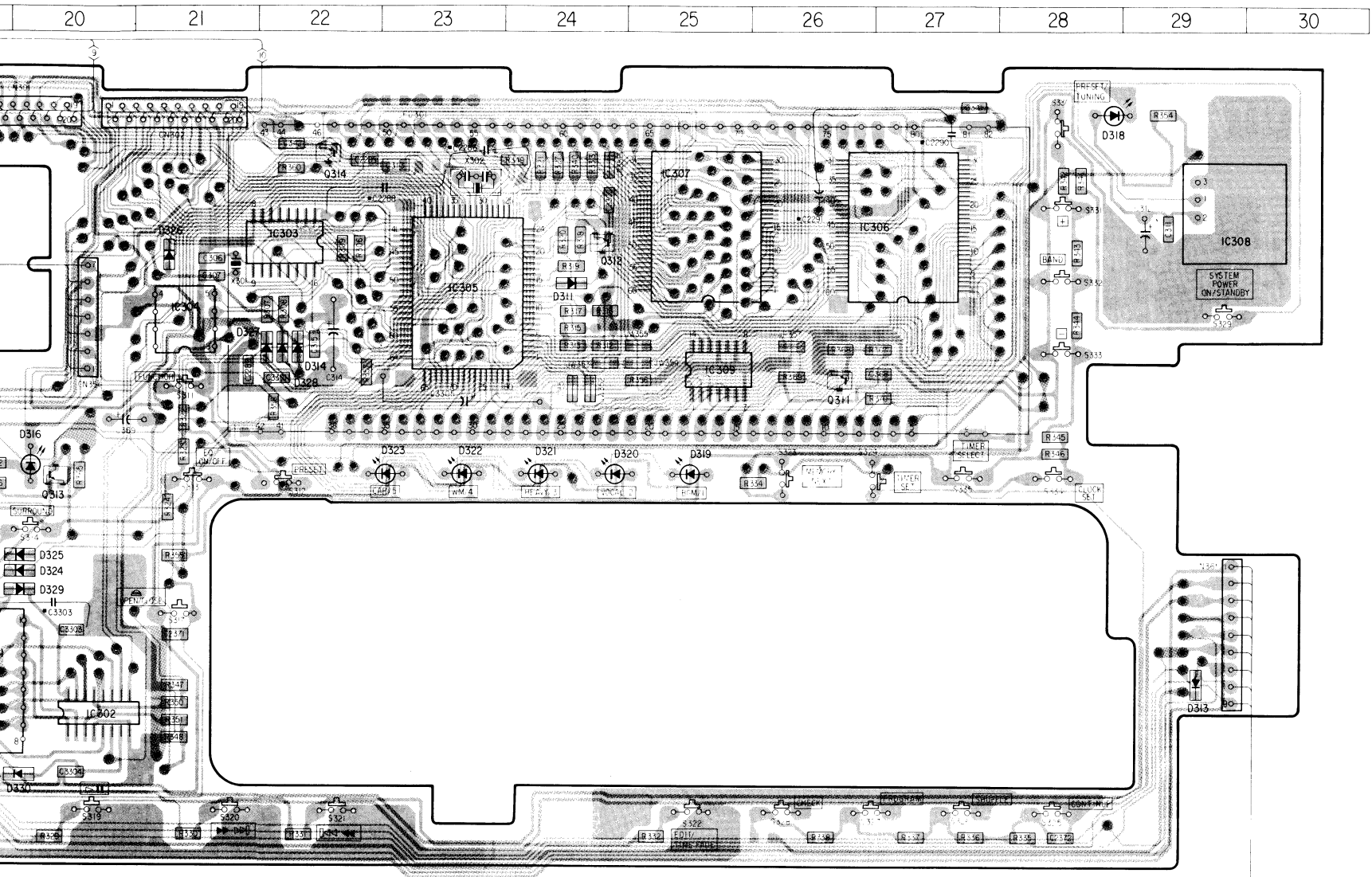
• Semiconductor Location(FORMER TYPE)

Ref. No.	Location	Ref. No.	Location
D1	H-29	IC207	F-7
D2	H-29	IC301	F-19
D3	K-29	IC302	F-20
D21	J-6	IC303	B-22
D51	K-3	IC304	C-21
D201	G-3	IC305	C-23
D202	D-7	IC306	B-27
D203	D-7	IC307	B-25
D205	C-10	IC308	B-29
D281	E-6	IC309	C-25
D282	E-5	IC361	G-14
D283	F-5	IC362	B-16
D284	E-8	IC395	B-16
D286	E-7	IC801	K-26
D287	E-7		
D288	E-7	Q1 (TCB011)	I-5
D289	E-7	Q1 (CD RST)	H-30
D290	F-6	Q2 (TCB011)	I-4
D291	E-8	Q2 (CD RST)	H-29
D292	E-9	Q3	I-5
D293	D-9	Q4	K-7
D294	D-9	Q5	J-8
D301	E-19	Q6	K-7
D302	F-19	Q7	K-9
D311	C-24	Q21	I-6
D312	D-19	Q22	J-7
D313	F-29	Q23	J-7
D314	C-22	Q24	J-8
D316	D-20	Q25	J-8
D317	D-18	Q51	J-3
D318	A-28	Q52	J-3
D319	D-25	Q53	I-4
D320	D-25	Q201	B-6
D321	D-24	Q202	C-6
D322	D-23	Q203	D-6
D323	D-23	Q204	D-6
D324	E-20	Q205	D-7
D325	E-20	Q206	D-6
D326	B-21	Q281	F-5
D327	C-22	Q283	F-6
D328	C-22	Q284	F-7
D329	E-20	Q286	B-10
D330	G-20	Q287	D-5
D331	D-19	Q289	E-8
D391	F-16	Q290	F-9
D801	J-27	Q311	C-26
D909	I-24	Q312	B-24
		Q313	D-20
		Q314	B-22
		Q801	J-28
IC1	J-30		
IC2	I-29		
IC21	J-6		
IC51	J-5		
IC101	J-16		
IC201	D-10		
IC202	E-10		
IC203	C-8		
IC204	C-9		
IC205	E-3		
IC206	C-7		





A TO BO BOARD CN101



Note:

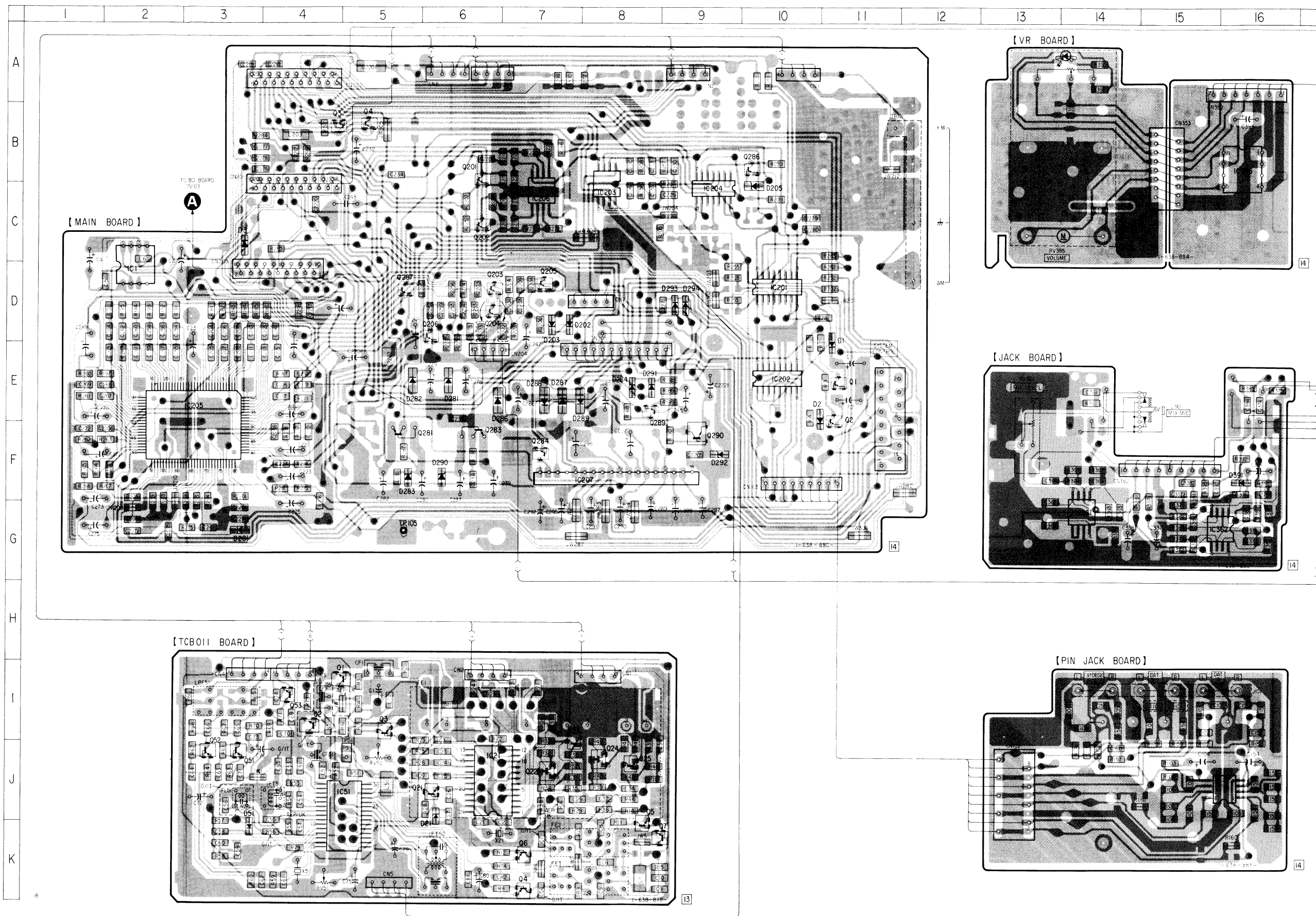
- : parts extracted from the component side.
- : parts extracted from the conductor side.
- : Through hole.
- ▨ : Pattern on the side which is seen.
- ▩ : Pattern of the rear side.

FORMER TYPE : AEP, UK

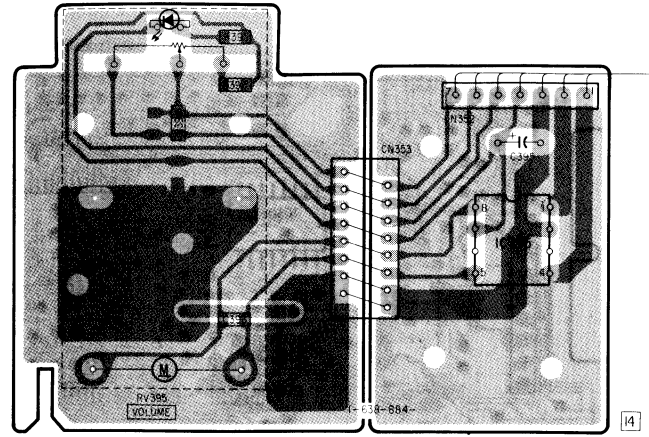
4-5. PRINTED WIRING BOARDS — Audio Section (NEW TYPE)

• Semiconductor Location(NEW TYPE)

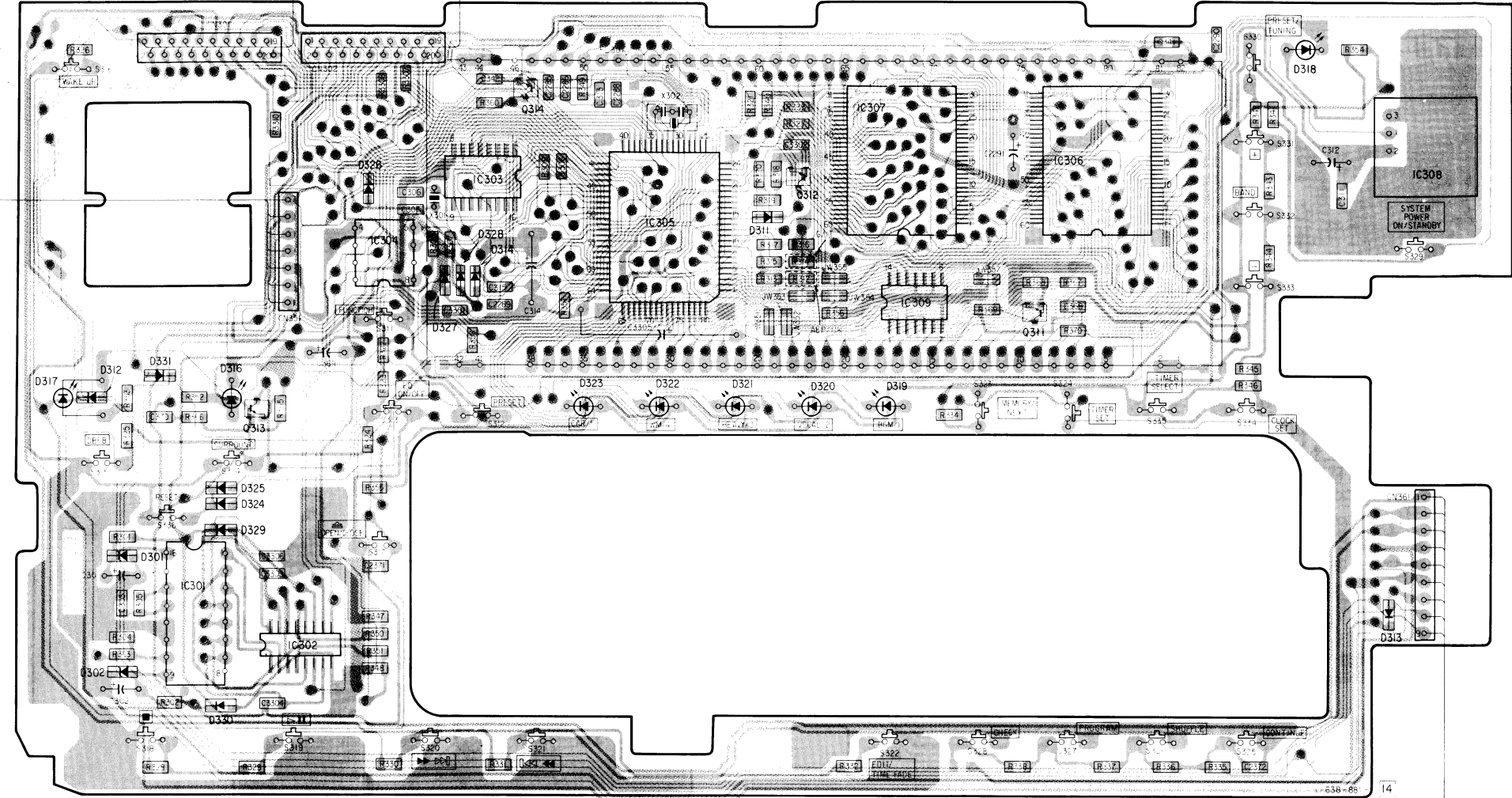
Ref. No.	Location	Ref. No.	Location
D1	D-11	IC301	F-19
D2	E-11	IC302	F-20
D3	C-3	IC303	B-22
D21	J-6	IC304	C-21
D51	K-3	IC305	C-23
D201	G-3	IC306	B-27
D202	D-7	IC307	B-25
D203	D-7	IC308	B-29
D205	C-10	IC309	C-25
D281	E-6	IC361	G-14
D282	E-5	IC362	G-16
D283	F-5	IC395	B-16
D284	E-8	IC801	K-26
D286	E-6		
D287	E-7	Q1 (TCB011)	I-5
D288	E-7	Q1 (MAIN)	E-11
D289	E-7	Q2 (TCB011)	I-4
D290	F-6	Q2 (MAIN)	E-11
D291	E-8	Q3 (TCB011)	I-5
D292	F-9	Q3 (MAIN)	B-4
D293	D-9	Q4 (TCB011)	K-7
D294	D-9	Q4 (MAIN)	B-5
D301	E-19	Q5	J-8
D302	F-19	Q6	K-7
D311	C-24	Q7	K-9
D312	D-19	Q21	J-6
D313	F-29	Q22	J-7
D314	C-22	Q23	J-7
D316	D-20	Q24	J-8
D317	D-18	Q25	J-8
D318	A-28	Q51	J-3
D319	D-25	Q52	J-3
D320	D-25	Q53	I-4
D321	D-24	Q201	B-6
D322	D-23	Q202	C-6
D323	D-23	Q203	D-6
D324	E-20	Q204	D-6
D325	E-20	Q205	D-7
D326	B-21	Q206	D-6
D327	C-21	Q281	F-5
D328	C-22	Q283	E-6
D329	E-20	Q284	F-7
D330	G-20	Q286	B-10
D331	D-19	Q287	D-5
D391	F-16	Q289	E-8
D801	J-27	Q290	F-9
D909	I-24	Q311	C-26
		Q312	B-24
IC1	D-2	Q313	D-20
IC21	J-6	Q314	B-22
IC51	J-5	Q801	J-28
IC101	J-16		
IC201	D-10		
IC202	E-10		
IC203	C-8		
IC204	C-9		
IC205	E-3		
IC206	C-7		
IC207	F-7		



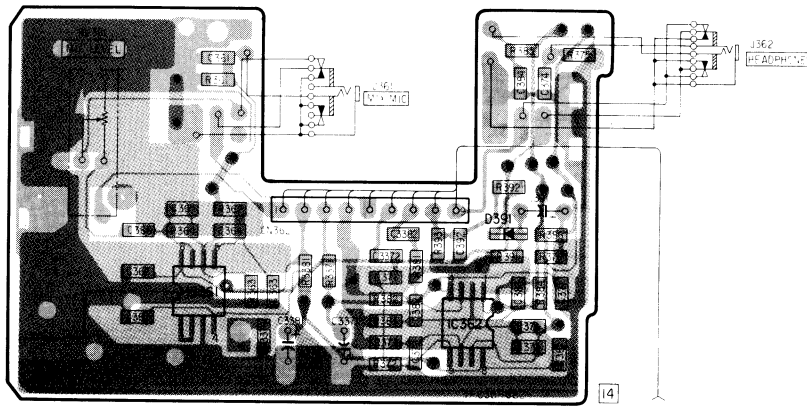
【VR BOARD】



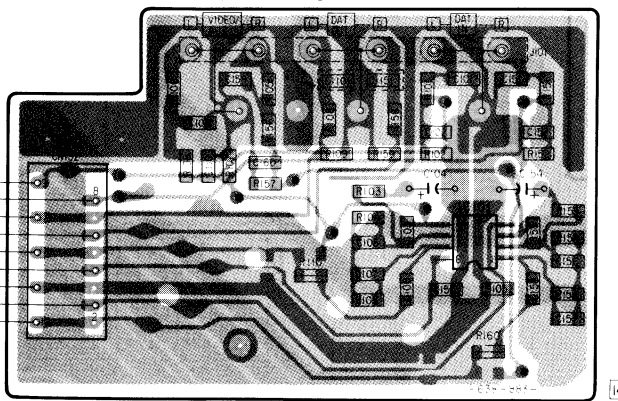
【PANEL BOARD】



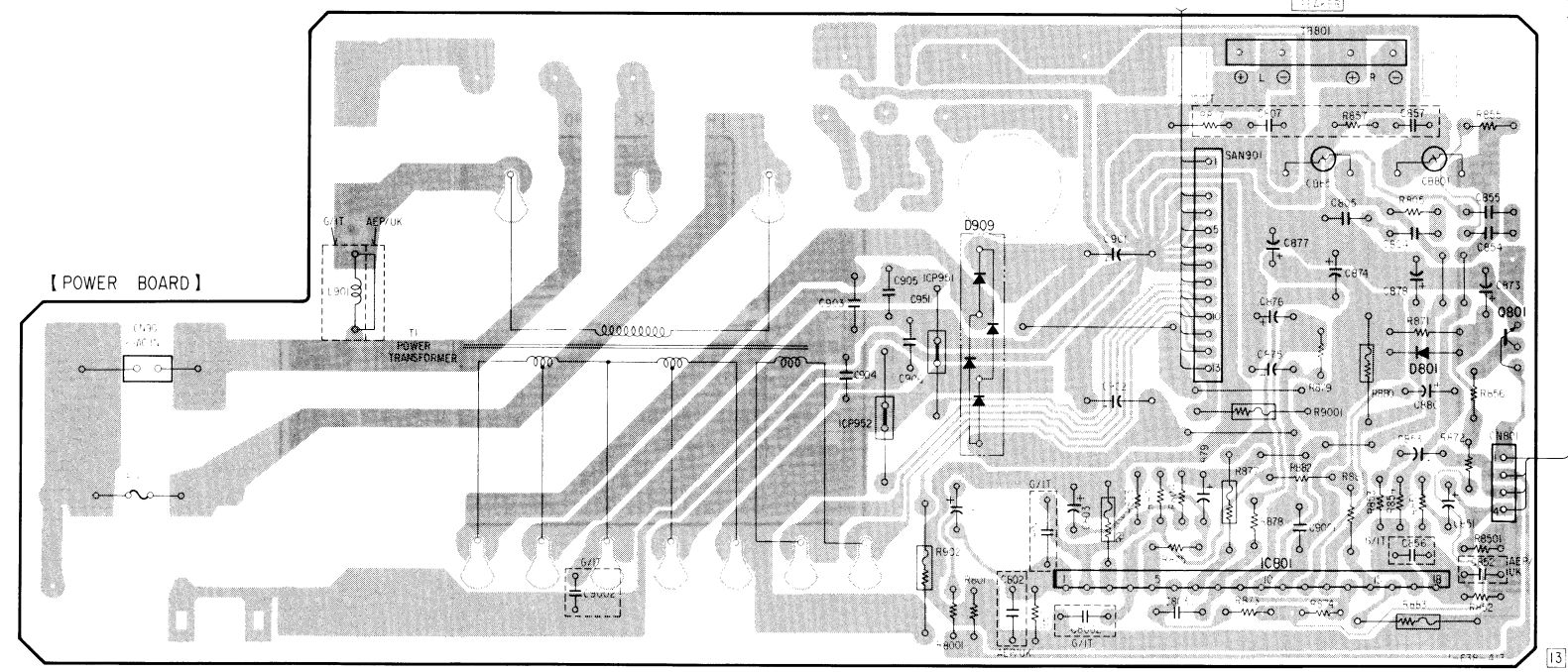
【JACK BOARD】



【PIN JACK BOARD】



【POWER BOARD】

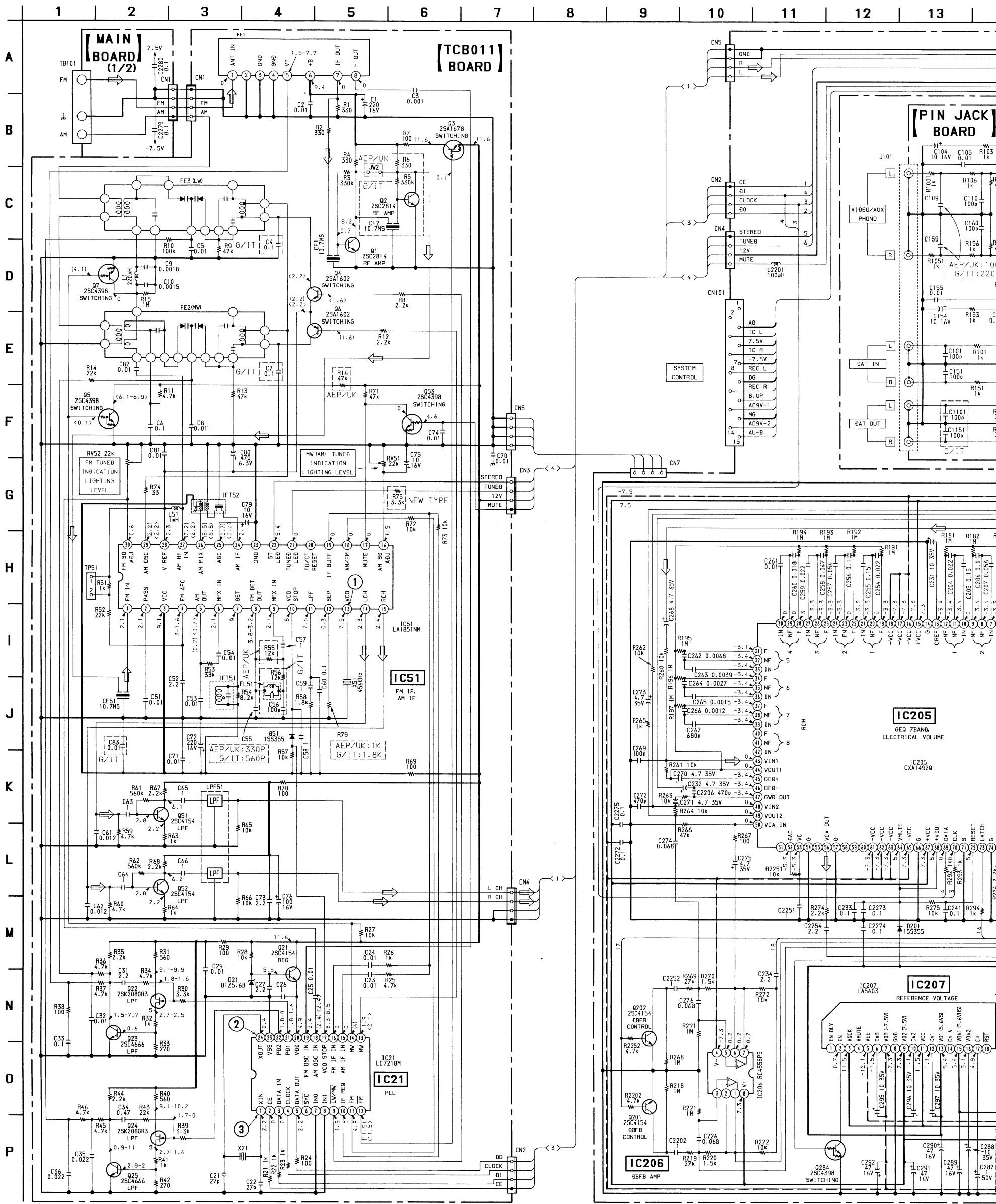


4-6. SCHEMATIC DIAGRAM — Audio Section —

- Note:**
- All capacitors are in μF unless otherwise noted. pF : μF 50WV or less are not indicated except for electrolytics and tantalums.
 - All resistors are in Ω and $\frac{1}{4}\text{W}$ or less unless otherwise specified.
 - % : indicates tolerance.
 - \triangle : internal factory.
 - \square : fuse resistor.

Note: The components identified by mark \triangle or dotted line with mark \square are critical for safety. Replace only with part number specified.

- — : B+ Line
- - - - : B- Line
- \square : adjustment for repair.



otted. pF: μ F
or electrolytics
less otherwise

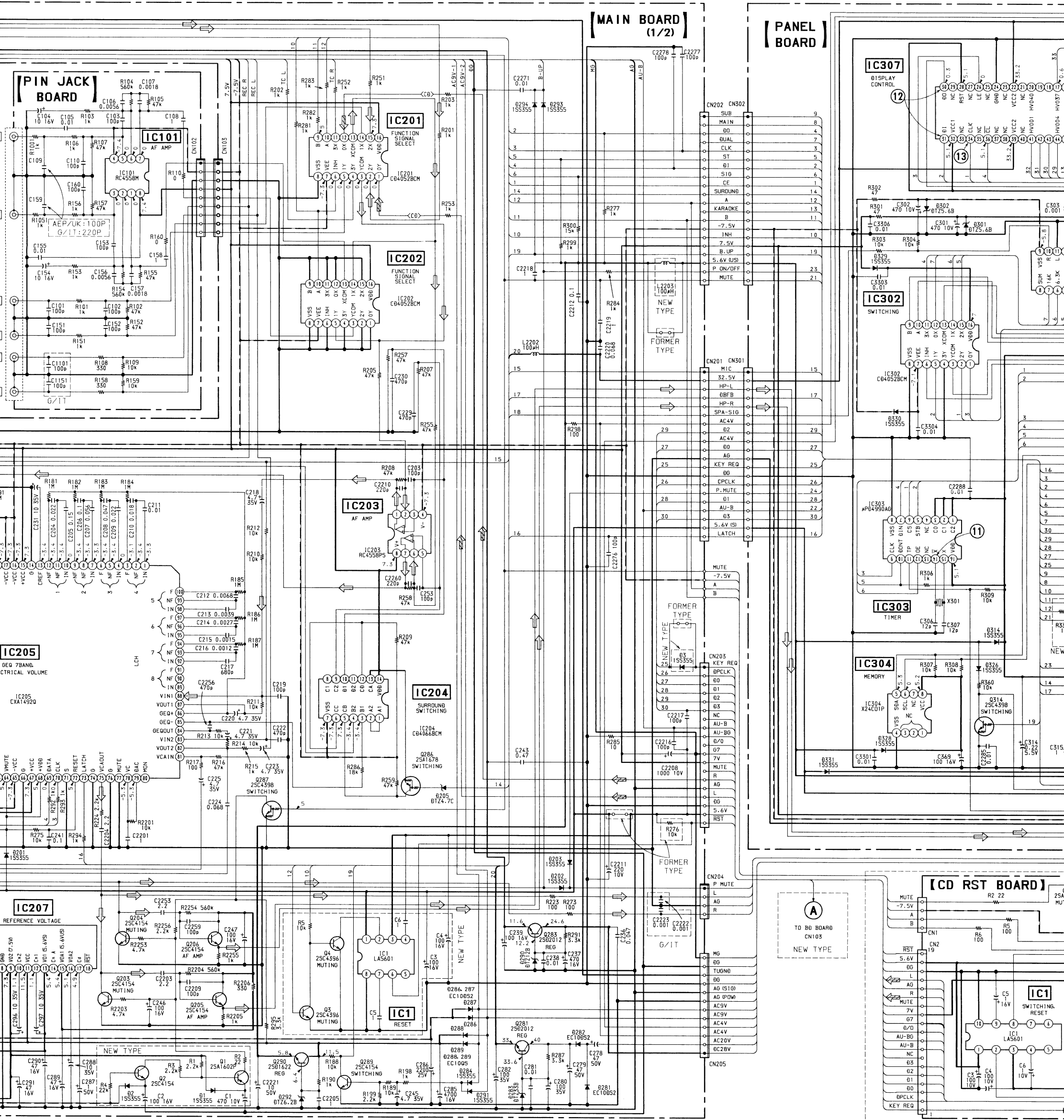
- Voltage and waveforms are dc with respect to ground under no-signal (detuned) conditions.
- no mark: FM
- (): MW
- < >: LW
- Voltages are taken with a VOM (Input Impedance $10M\Omega$). Voltage variations may be noted due to normal production tolerances.
- Waveforms are taken with an oscilloscope.
- Voltage variations may be noted due to normal production tolerances.
- Circled numbers refer to waveforms.
- Signal path.

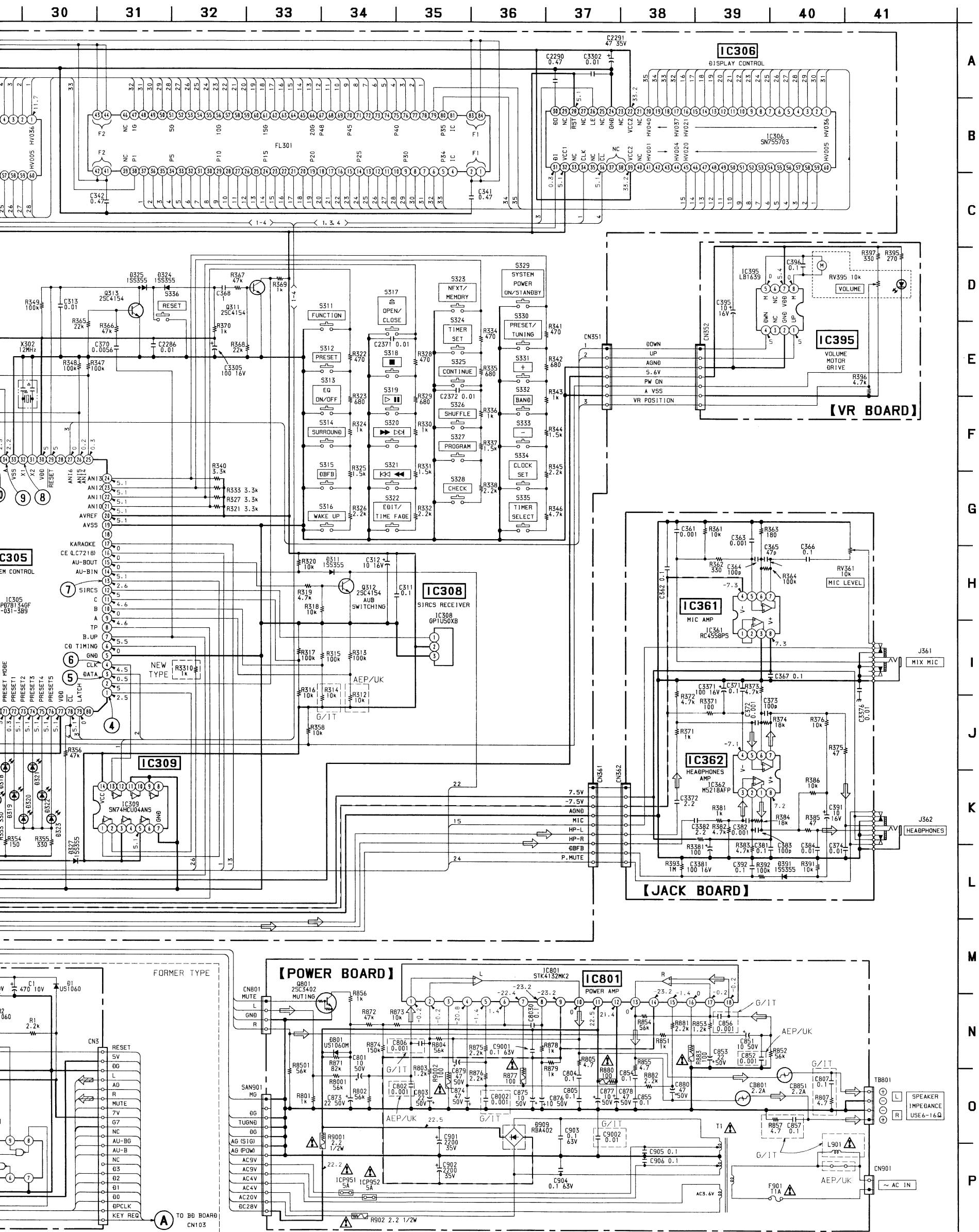
NEW TYPE: AEP, G, IT, UK
FORMER TYPE: AEP, UK
G: Germany
IT: Italian

or dotted
v.
ed.

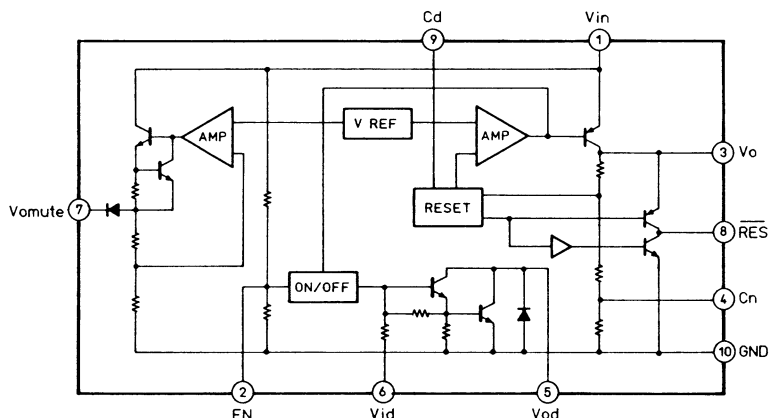
FM CD

13 14 15 16 17 18 19 20 21 22 23 24 25 26 27

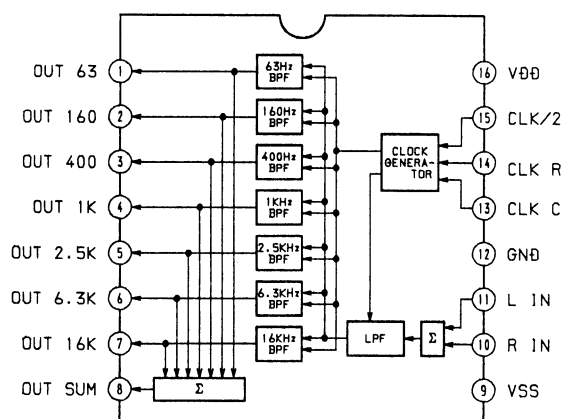




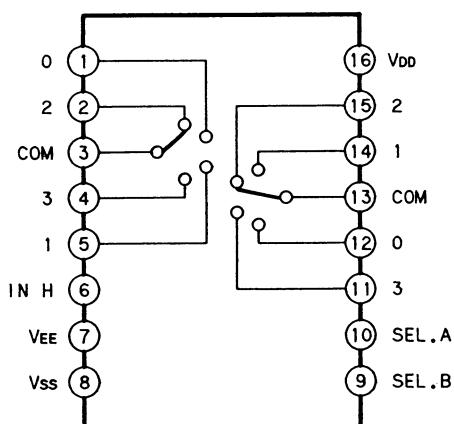
IC1 LA5601



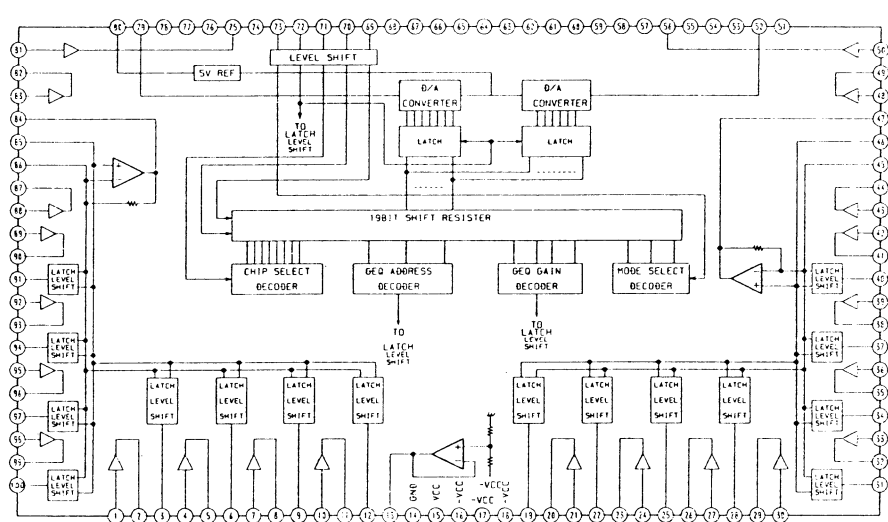
IC301 XR1091DCP



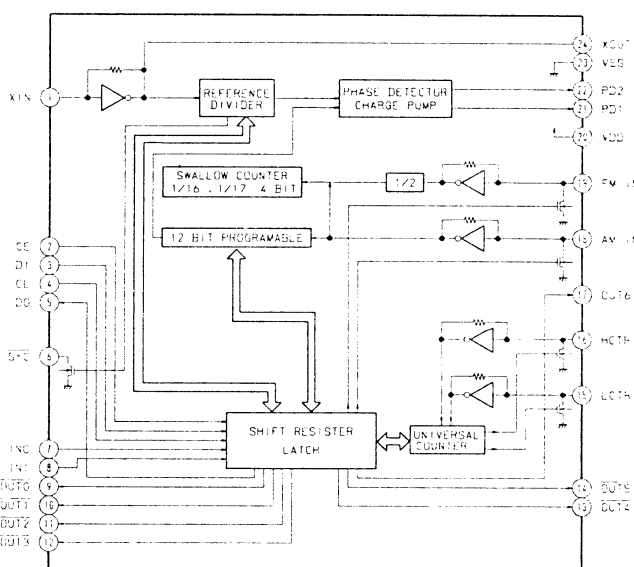
IC302 CD4025BCM



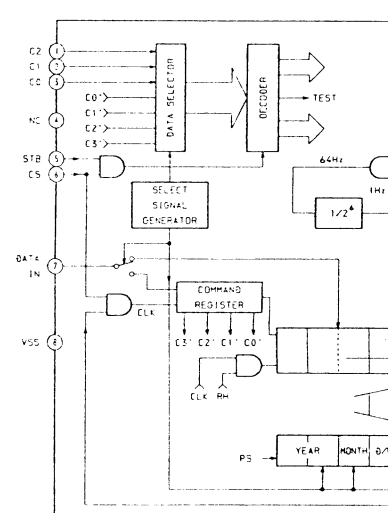
IC205 CXA1492Q



IC21 LC7218M

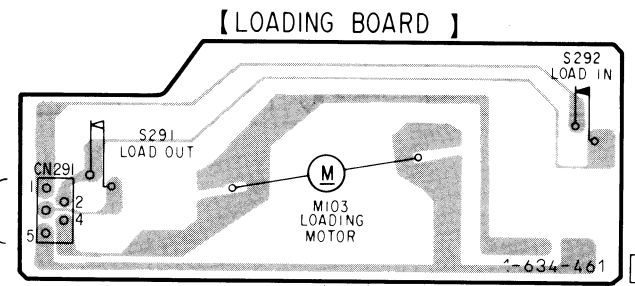
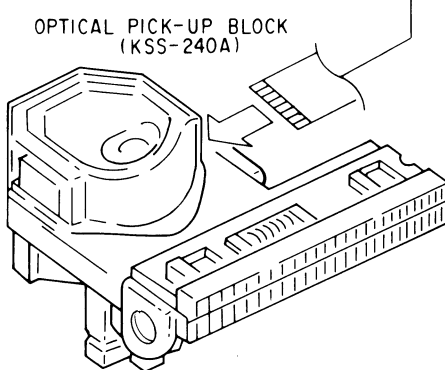
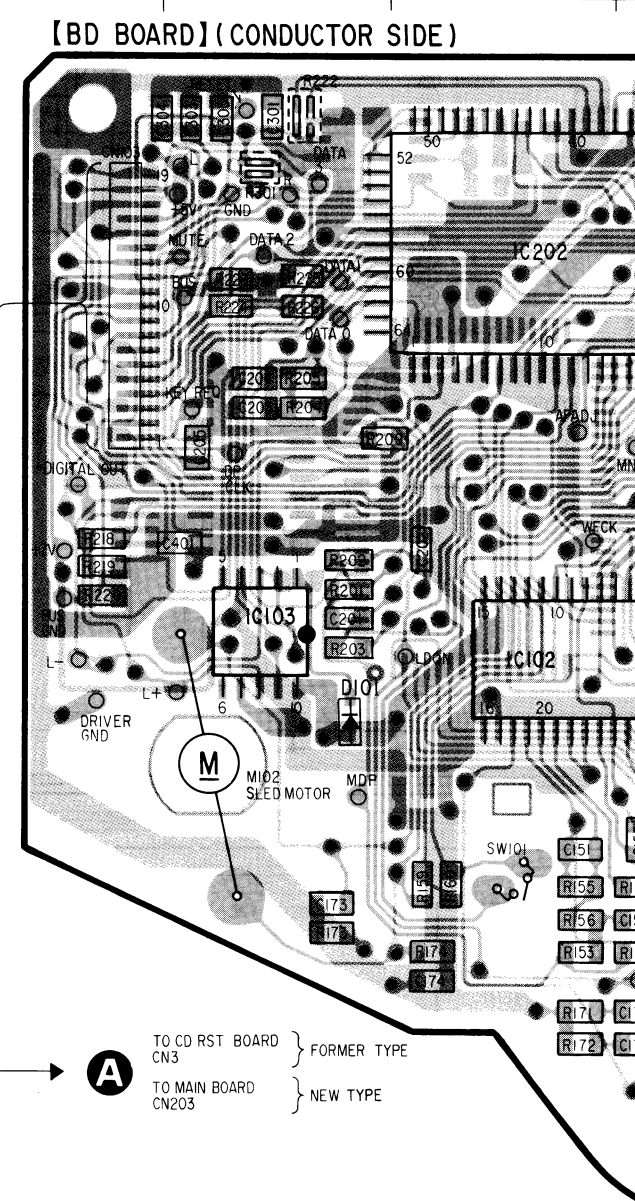
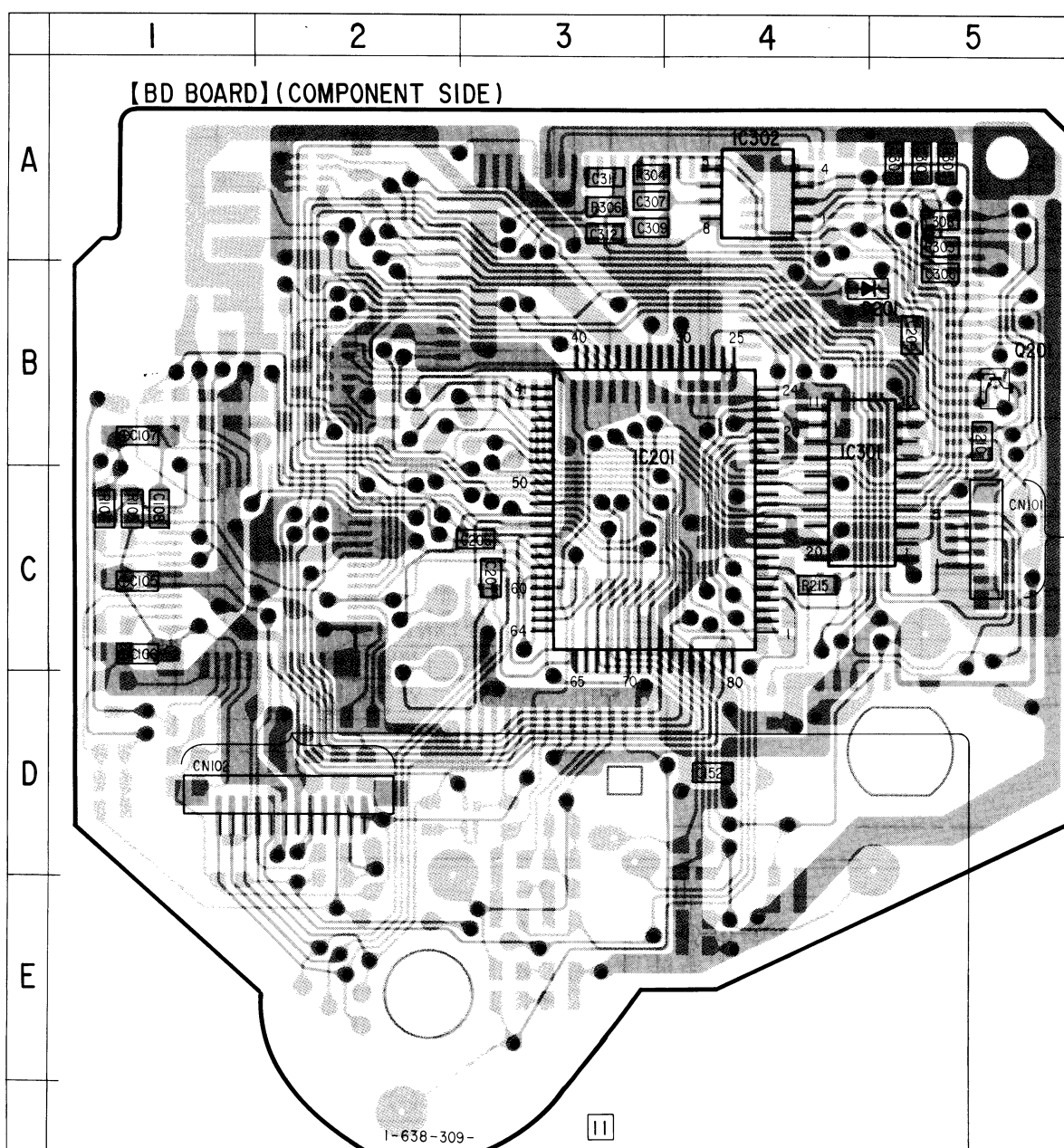


IC303 μPD4990AG

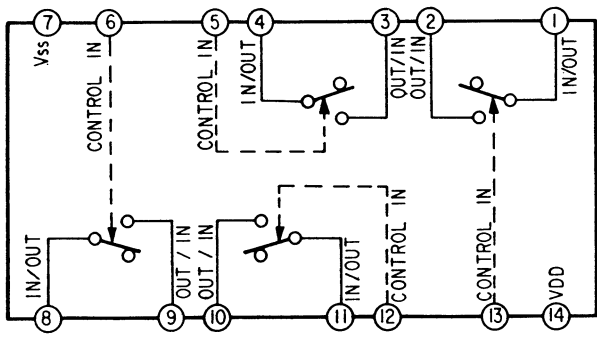


4-7. PRINTED WIRING BOARDS — CD Section —

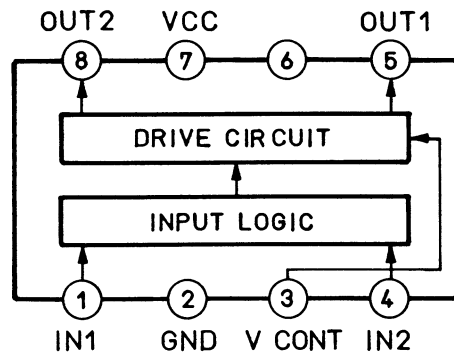
Ref. No.	Location
D101	J-7
D201	H-5
IC101	C-10
IC102	C-8
IC103	C-7
IC201	C-3
IC202	B-8
IC301	C-5
IC302	A-4
Q101	B-10
Q201	B-5



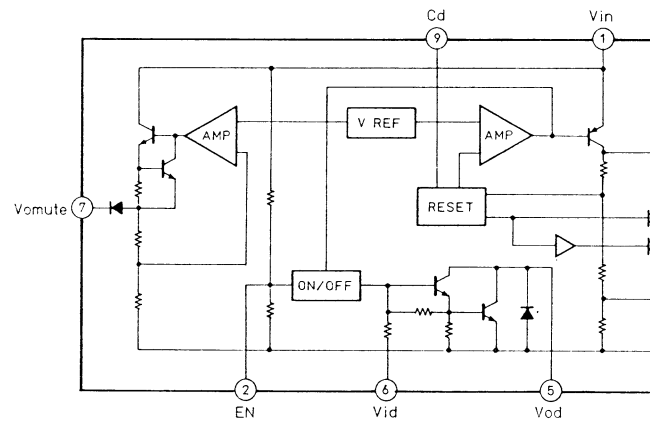
IC204 CD4066BCM



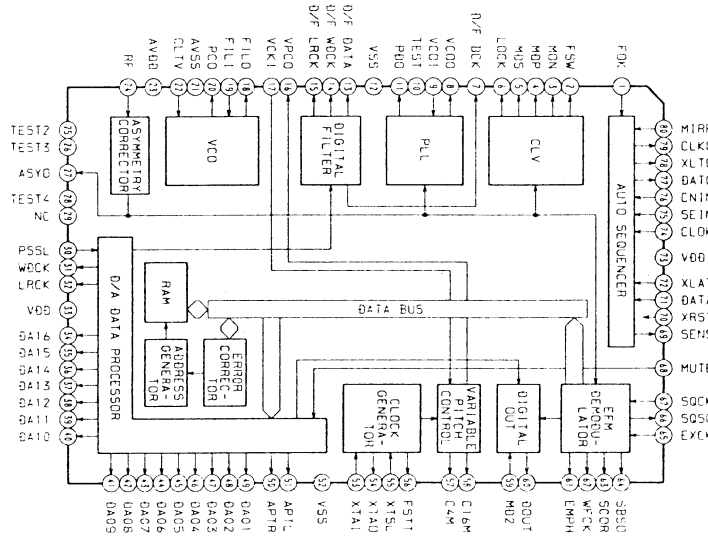
IC395 LB1639



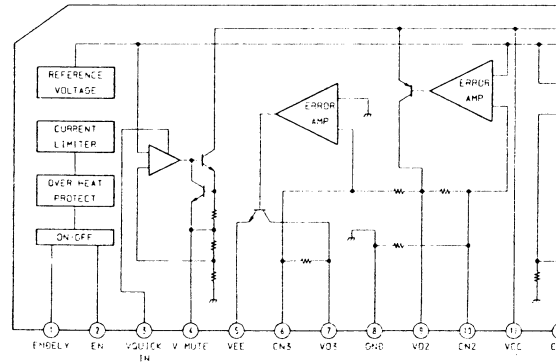
IC1 LA5601



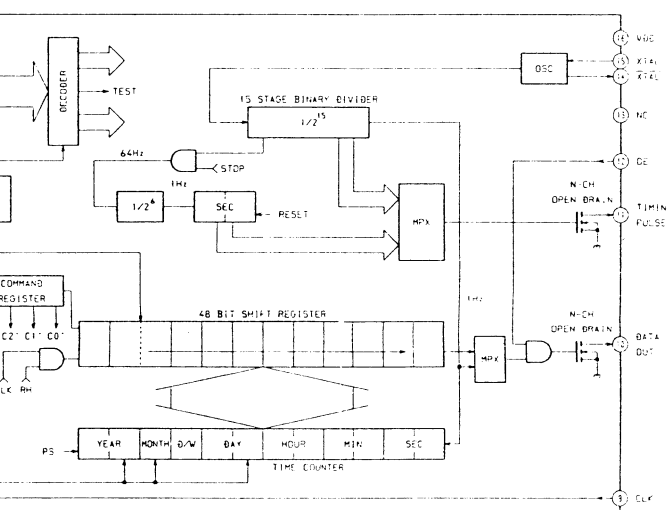
IC201 CXD2505Q



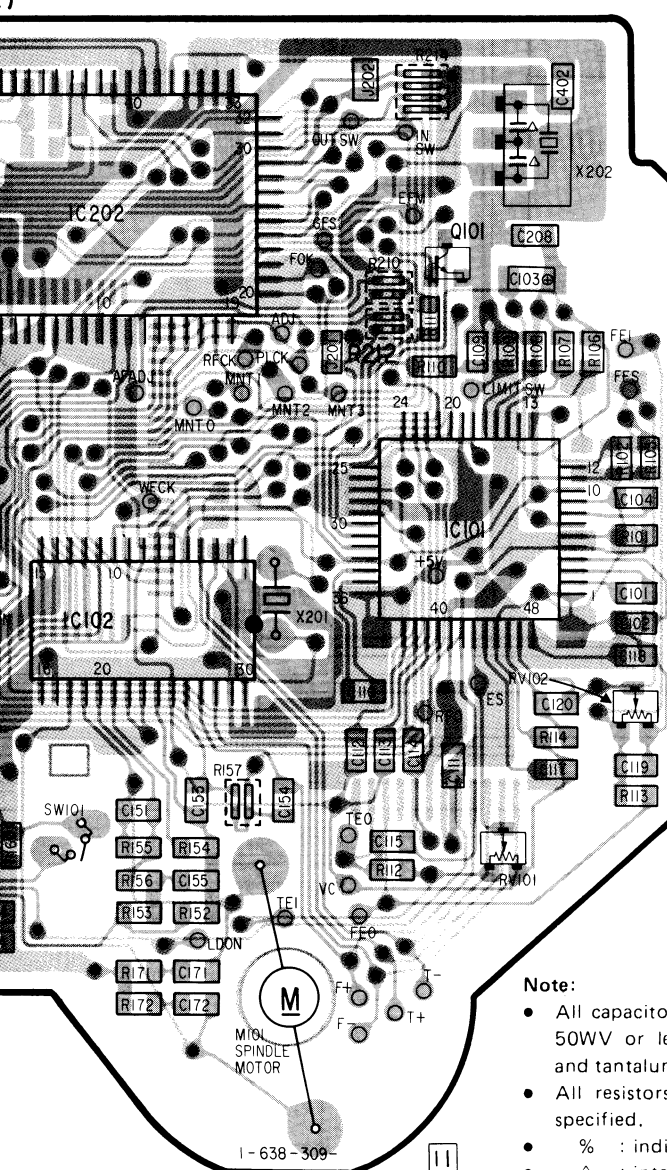
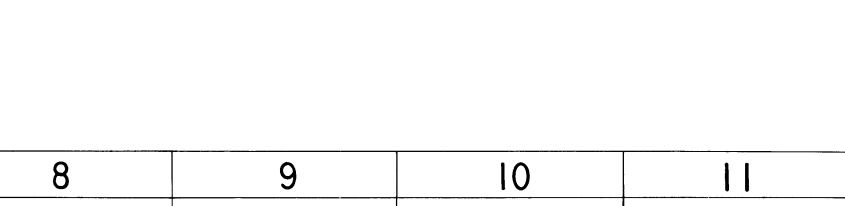
IC207 LA5603



D4990AG



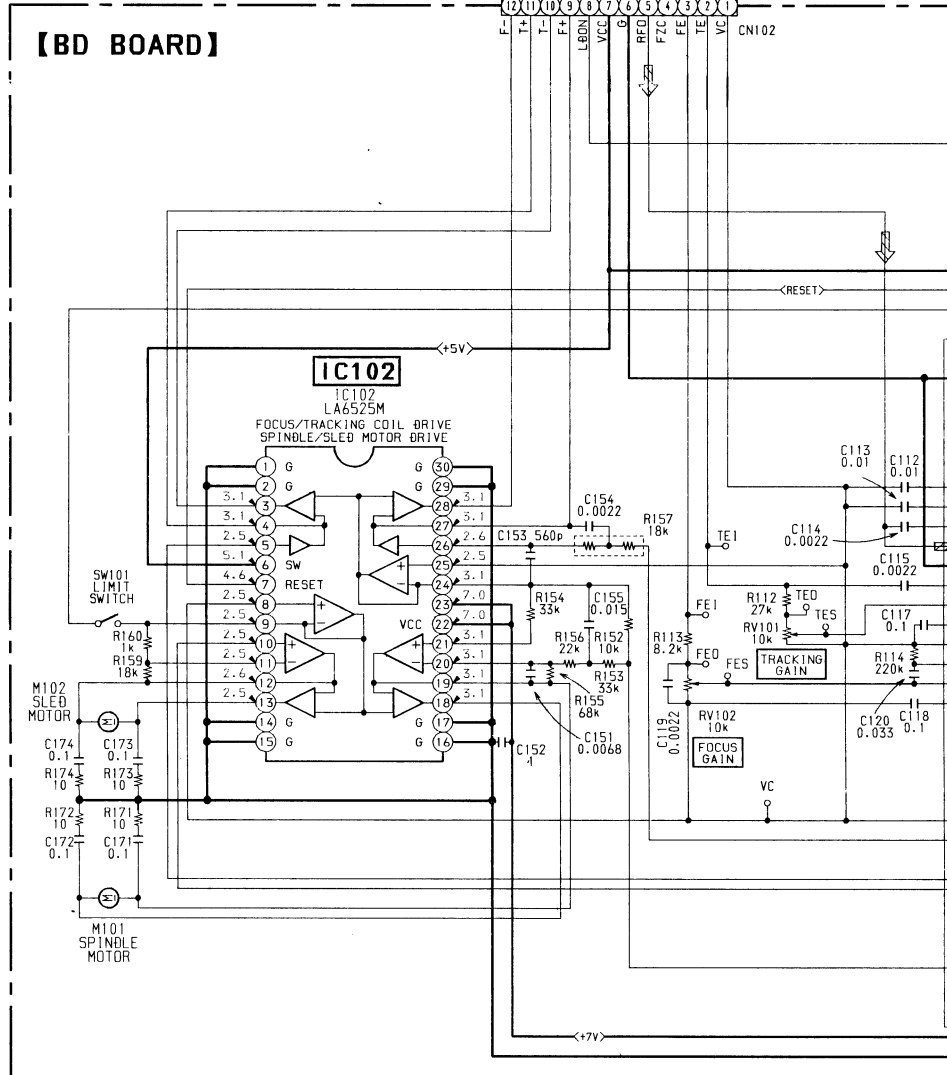
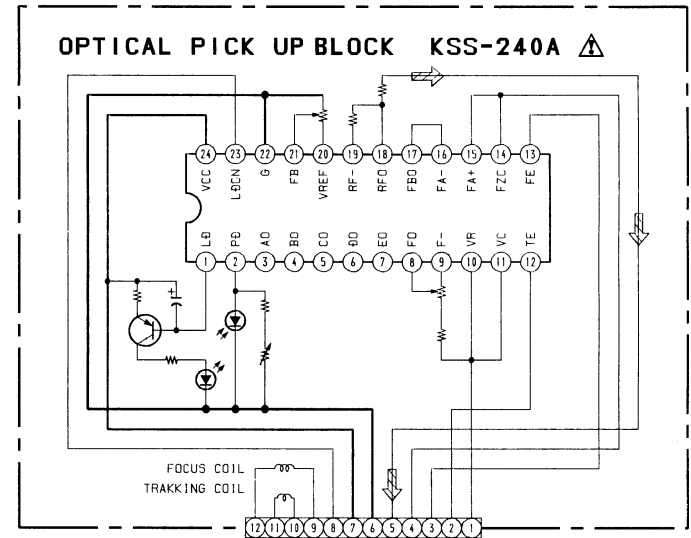
4-8. SCHEMATIC DIAGRAM — CD Section

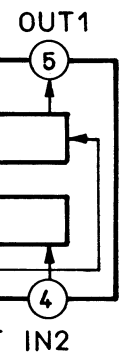


Note:

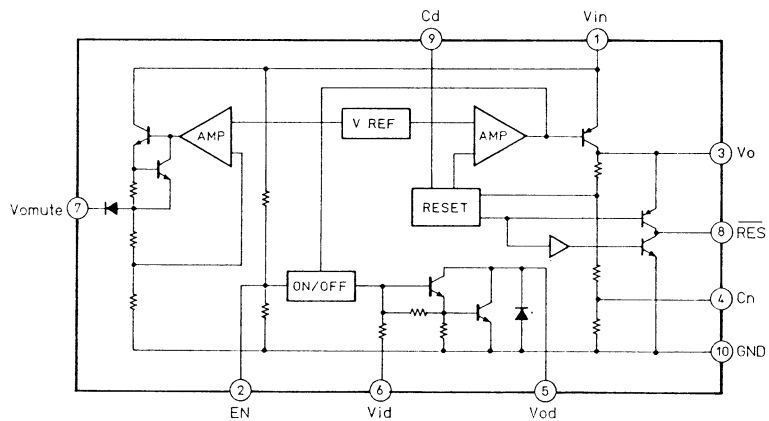
- All capacitors are in μF unless otherwise noted. pF : μF
- 50WV or less are not indicated except for electrolytics and tantalums.
- All resistors are in Ω and $\frac{1}{4}\text{W}$ or less unless otherwise specified.
- % : indicates tolerance.
- Δ : internal component.

Note: The components identified by mark Δ or dotted line with mark Δ are critical for safety. Replace only with part number specified.

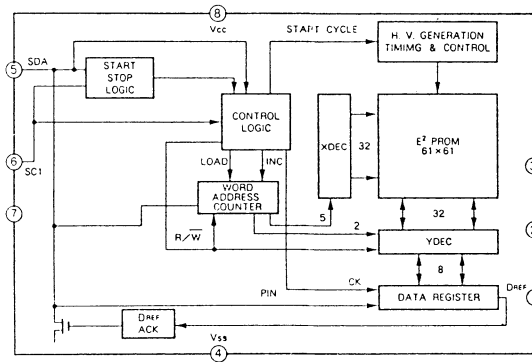




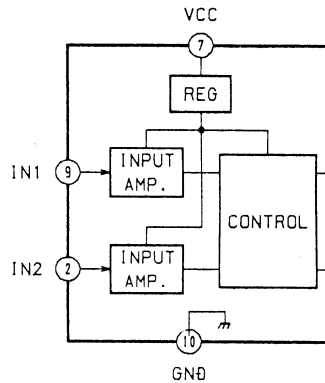
IC1 LA5601



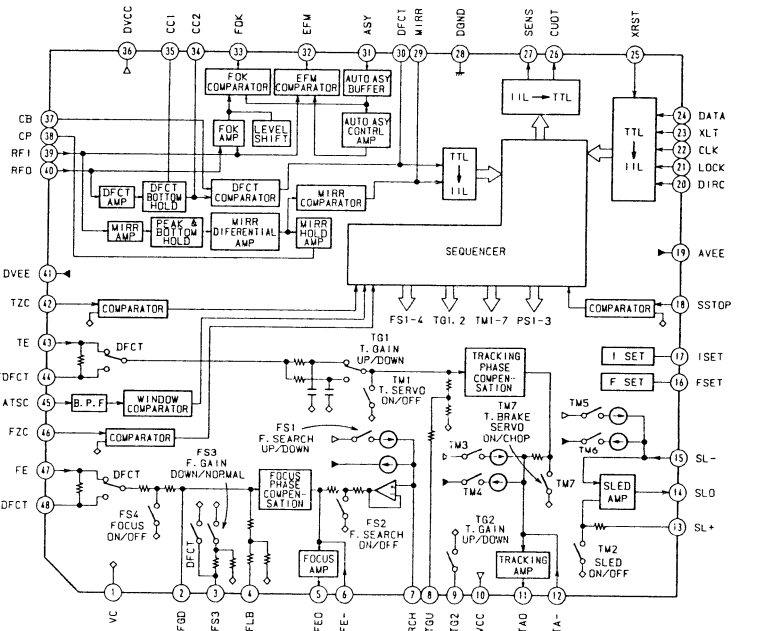
IC304 X24C01P



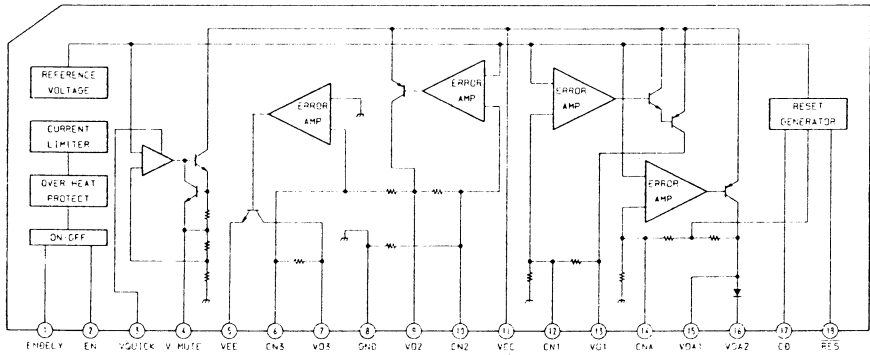
IC103 M54641FP



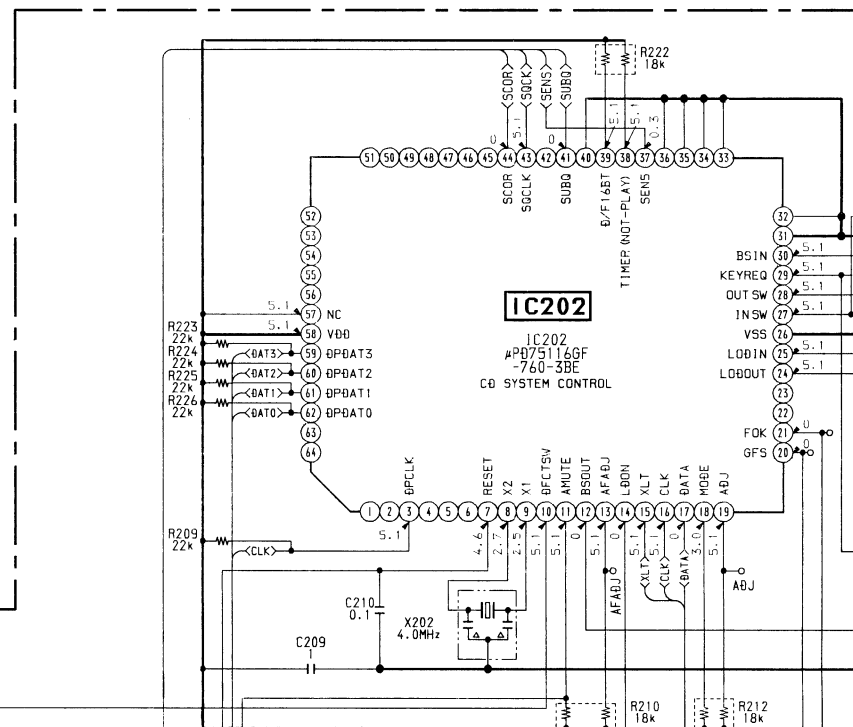
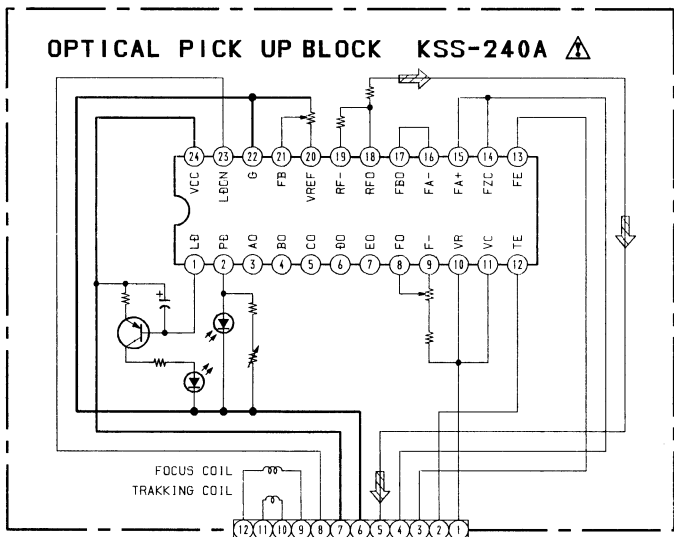
IC101 CXA1372Q



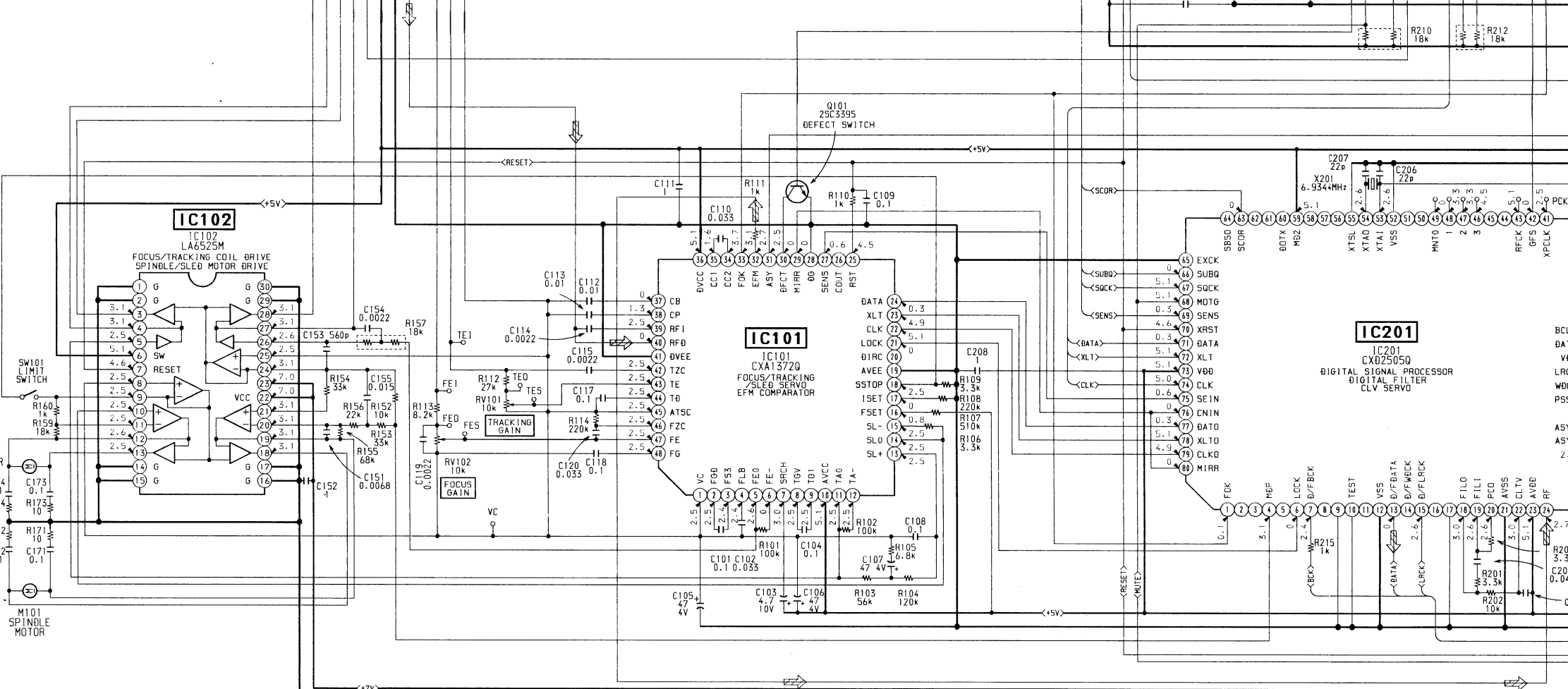
IC207 LA5603



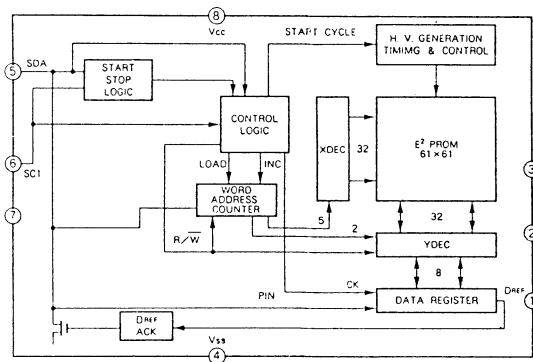
EMATIC DIAGRAM — CD Section —



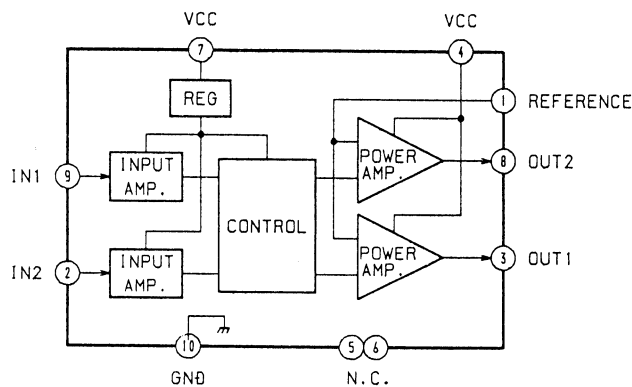
BOARD]



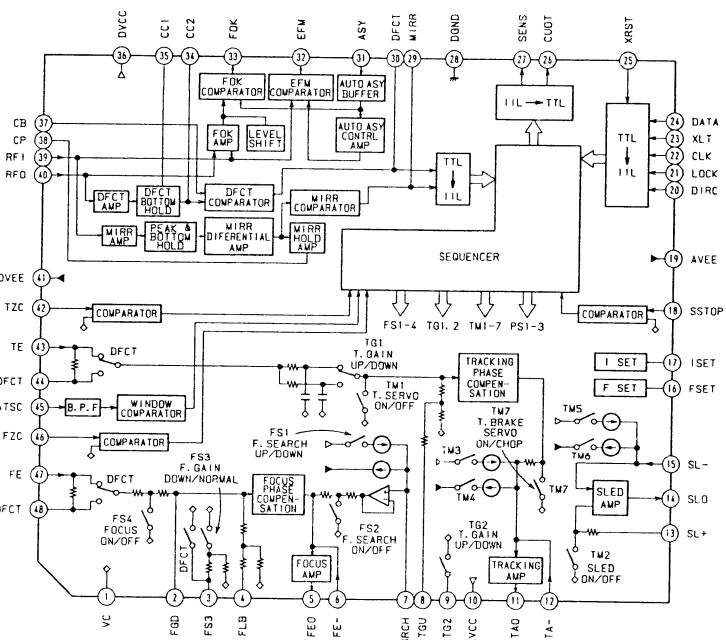
IC304 X24C01P



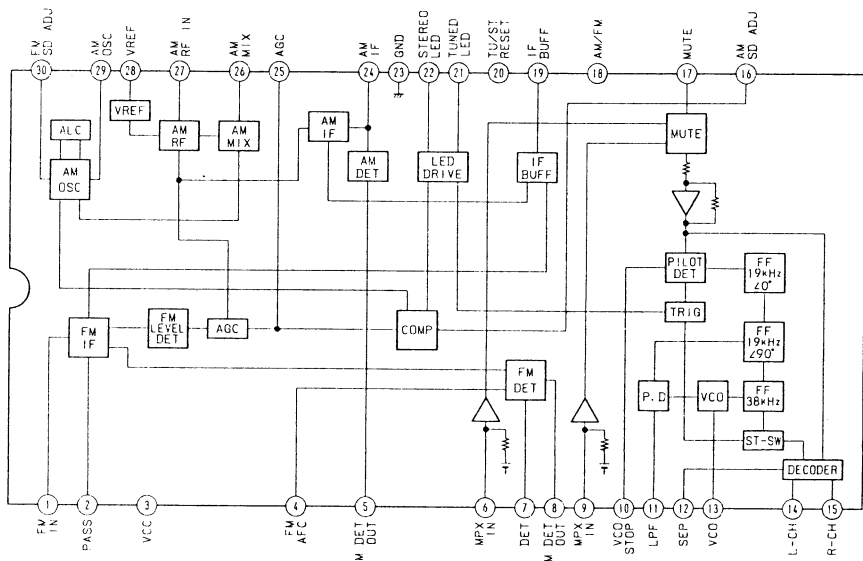
IC103 M54641FP



IC101 CXA1372Q

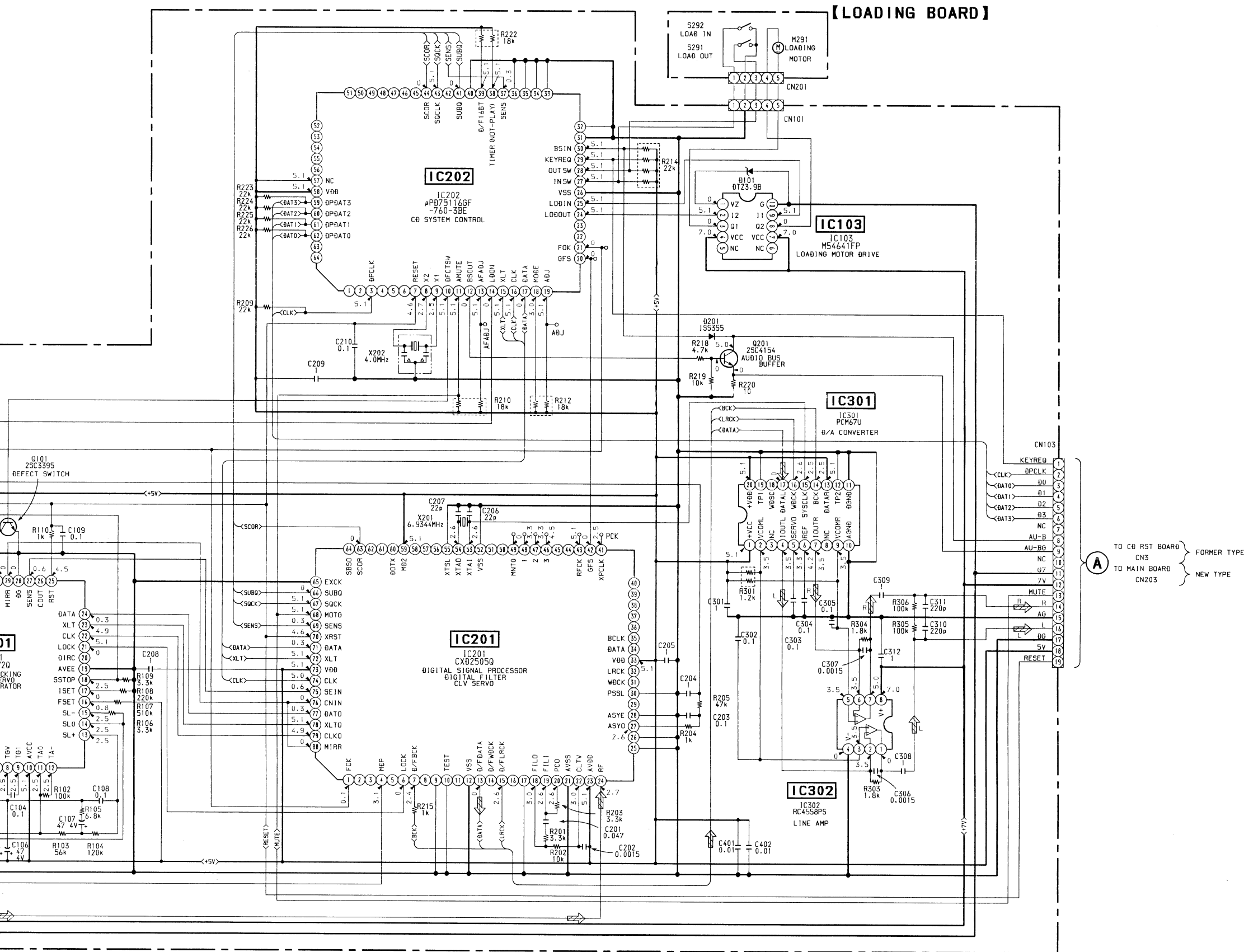


IC51 LA1851NM



9 10 11 12 13 14 15 16 17 18 19 20 21 22

[LOADING BOARD]

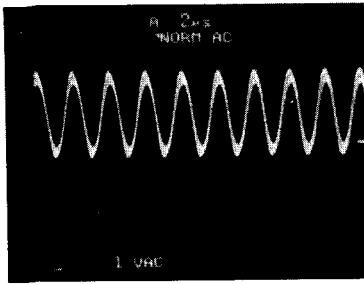


TO CD RST BOARD CN3 TO MAIN BOARD CN203

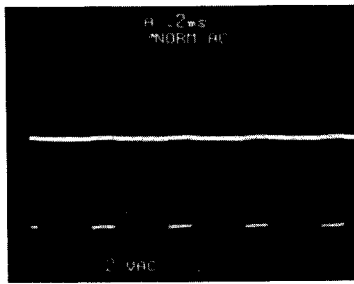
FORMER TYPE NEW TYPE

4-9. WAVEFORMS

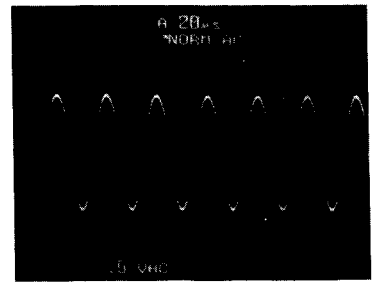
① IC51 ⑬ pin



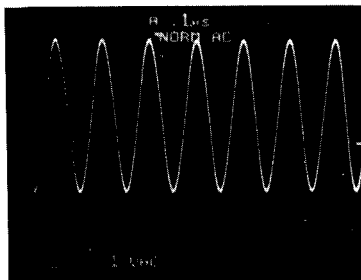
⑥ IC305 ④ pin



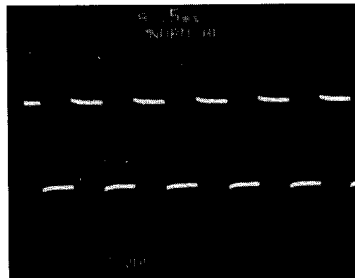
⑪ IC303 ⑭ pin



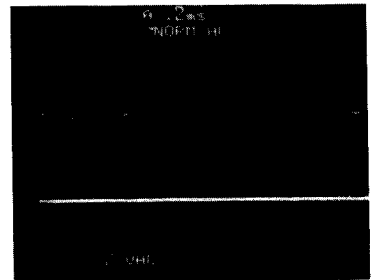
② IC21 ⑭ pin



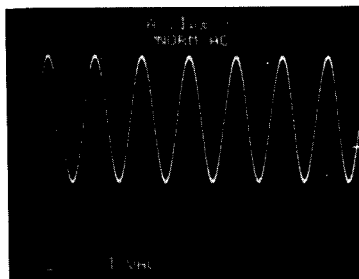
⑦ IC305 ⑬ pin



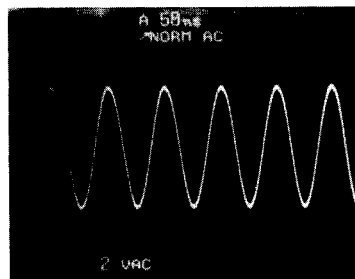
⑫ IC307 ⑩, ⑪ pin



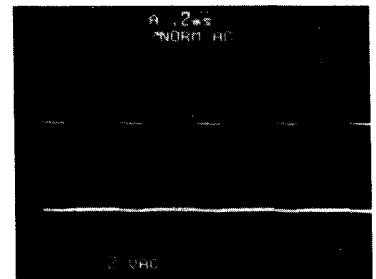
③ IC21 ① pin



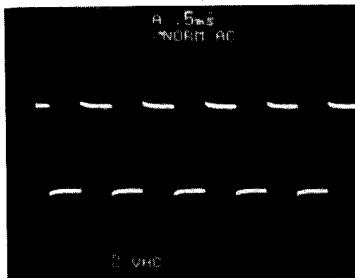
⑧ IC305 ⑩ pin



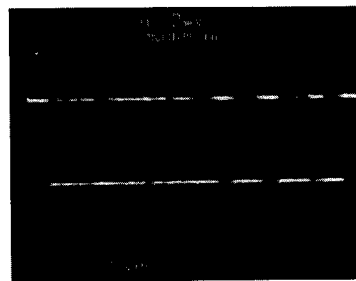
⑬ IC307 ⑭ pin



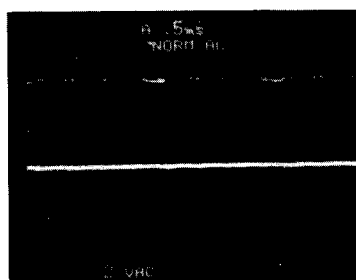
④ IC305 ① pin



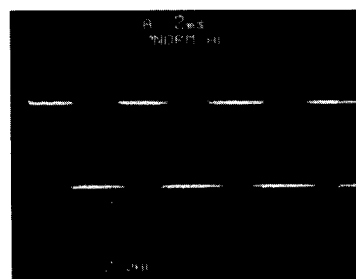
⑨ IC305 ⑭ pin



⑤ IC305 ③ pin



⑩ IC305 ⑯ pin



SECTION 5 EXPLODED VIEWS

NOTE:

- -XX, -X mean standardized parts, so they may have some differences from the original one.
- The mechanical parts with no reference number in the exploded views are not supplied.
- Items marked "*" are not stocked since they are seldom required for routine service. Some delay should be anticipated when ordering these items.

- Color Indication of Appearance Parts
Example:
KNOB, BALANCE(WHITE)...(RED)
 ↑ ↑
 Part's Color Cabinet's Color
- Hardware (#mark) list is given in the last of this parts list.

Note: The components identified by mark Δ or dotted line with mark Δ are critical for safety. Replace only with part number specified.

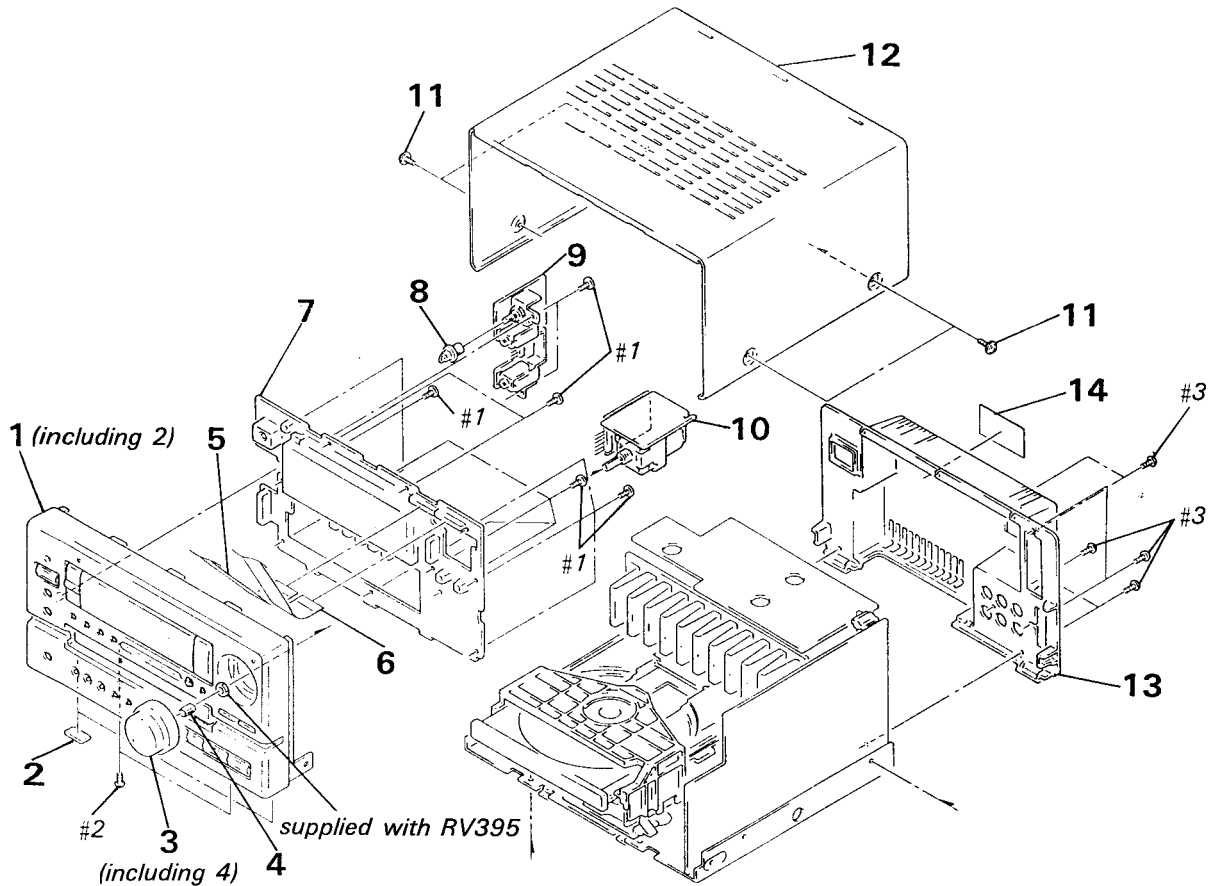
NEW TYPE : AEP, G, IT, UK

FORMER TYPE : AEP, UK

G : Germany

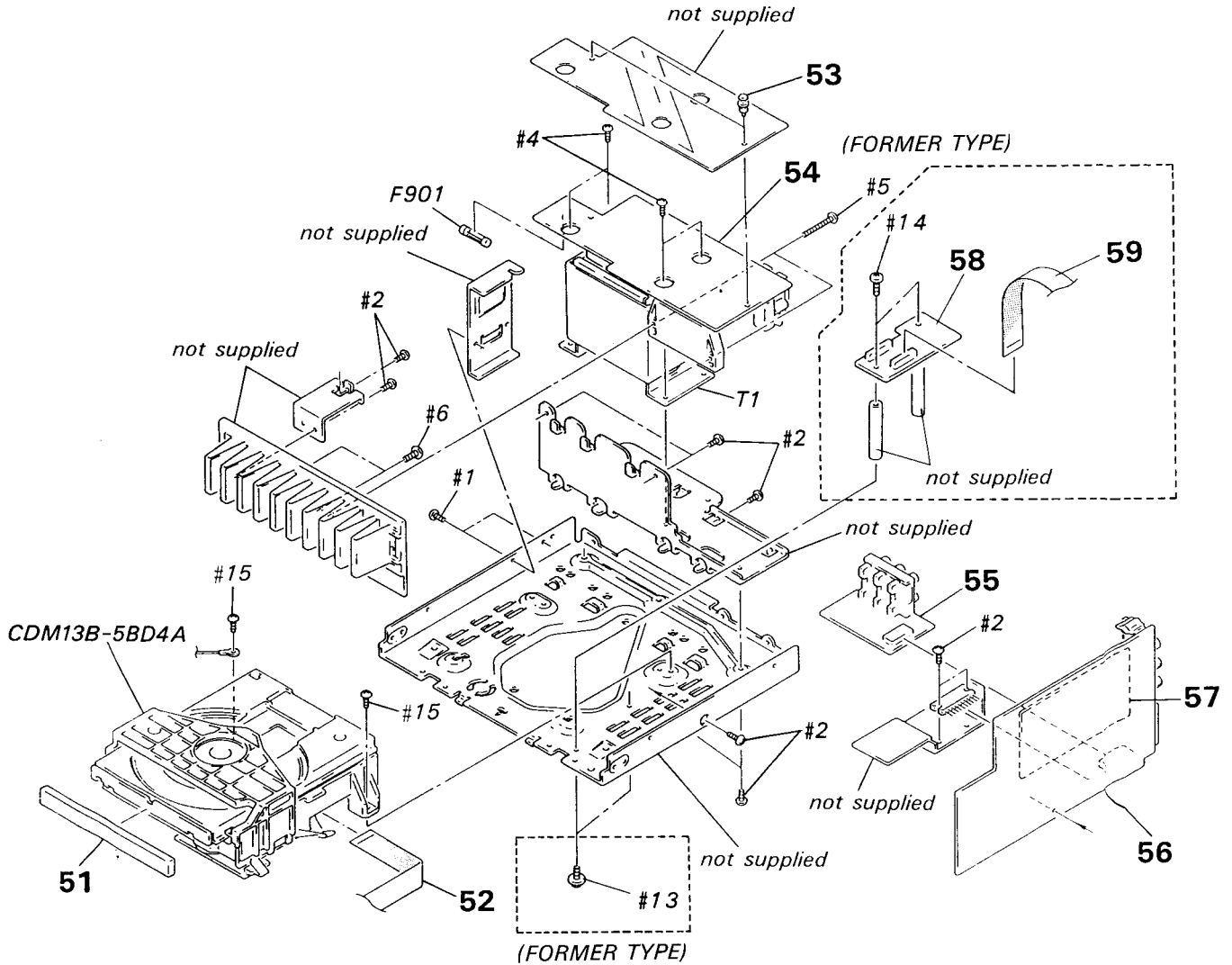
IT : Italian

5-1. FRONT PANEL SECTION



Ref. No.	Part No.	Description	Remark	Ref. No.	Part No.	Description	Remark
1	X-4941-581-1	PANEL ASSY. FRONT		8	4-932-882-11	KNOB (HP. VOL)	
2	4-930-336-01	FOOT (FELT)		9	* 1-638-882-11	JACK BOARD	
3	X-4941-489-1	KNOB (VOLUME) ASSY		10	* 1-638-884-11	VR BOARD	
4	3-703-466-00	SPRING (6600)		11	3-704-366-01	SCREW (CASE) (M3X8)	
5	1-590-907-11	WIRE, FLAT TYPE (20 CORE)		12	* 4-944-213-01	CASE	
6	1-590-908-11	WIRE, FLAT TYPE (20 CORE)		13	* 4-944-211-21	PANEL. BACK	
7	* A-4341-658-A	PANEL BOARD, COMPLETE (AEP,UK)		14	* 4-941-548-01	LABEL, CLASS 1	
7	* A-4341-707-A	PANEL BOARD, COMPLETE (IT)					
7	* A-4341-664-A	PANEL BOARD, COMPLETE (G)					

5-2. CHASSIS SECTION

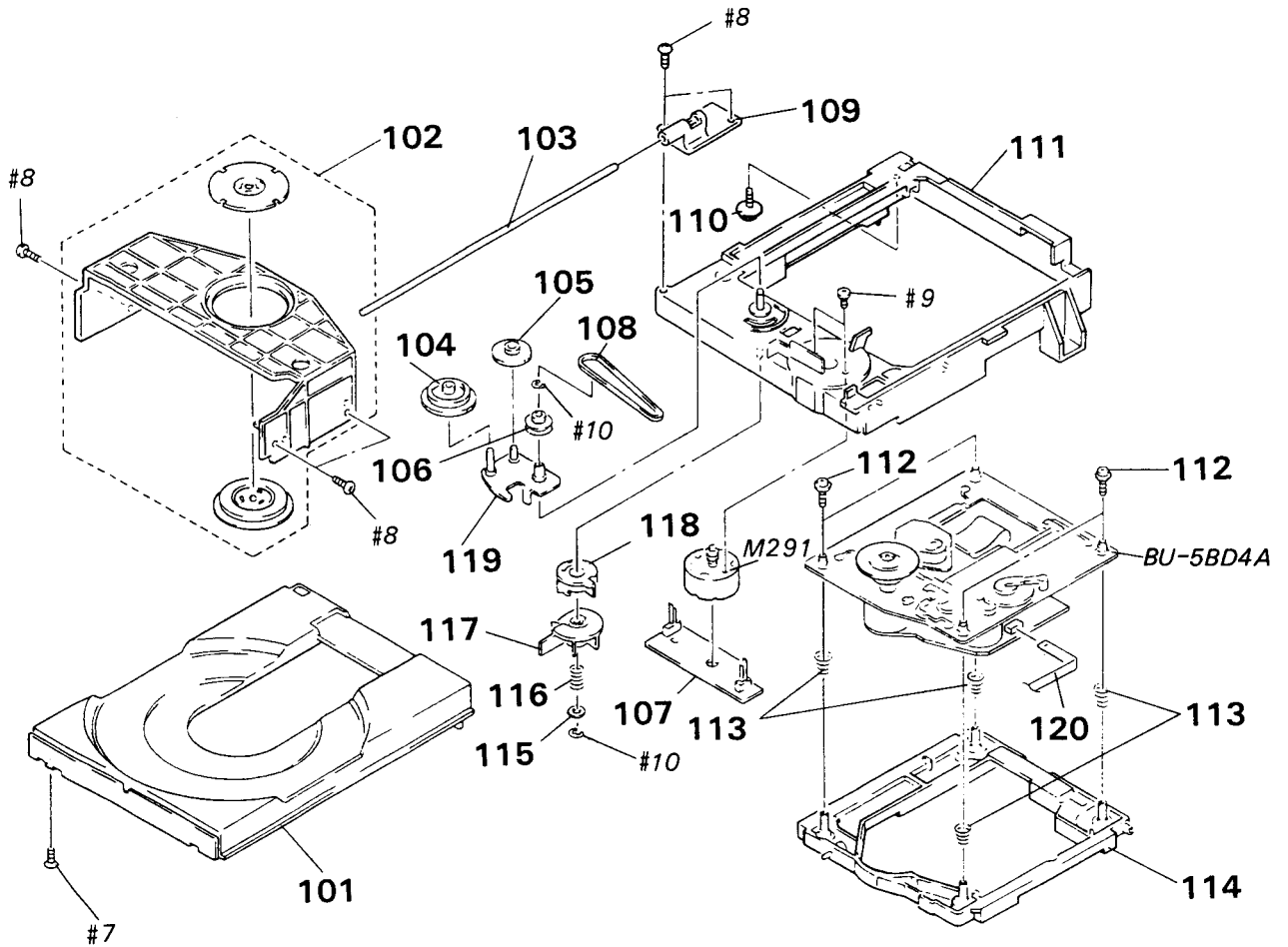


Ref.No.	Part No.	Description	Remark
51	4-944-199-01	PANEL, LOADING	
52	1-590-906-11	WIRE, FLAT TYPE (19 CORE)	
53	4-812-134-31	RIVET NYLON, 3.5	
54	* A-4341-652-A	POWER BOARD, COMPLETE (AEP, UK)	
54	* A-4341-653-A	POWER BOARD, COMPLETE (UK)	
54	* A-4341-661-A	POWER BOARD, COMPLETE (G)	
55	* 1-638-883-11	PIN JACK BOARD	

Ref.No.	Part No.	Description	Remark
56	* A-4341-657-A	MAIN BOARD, COMPLETE (AEP, UK)	
56	* A-4341-662-A	MAIN BOARD, COMPLETE (G, IT)	
57	* A-4303-343-A	TCB011 BOARD, COMPLETE (AEP, UK)	
57	* A-4303-344-A	TCB011 BOARD, COMPLETE (G, IT)	
58	* 1-639-977-11	CD RST BOARD (FORMER TYPE)	
59	1-690-035-11	WIRE, FLAT TYPE (19 CORE) (FORMER TYPE)	
F901	△ 1-532-078-00	FUSE, TIME-LAG T1A	
T1	△ 1-450-412-11	TRANSFORMER, POWER	

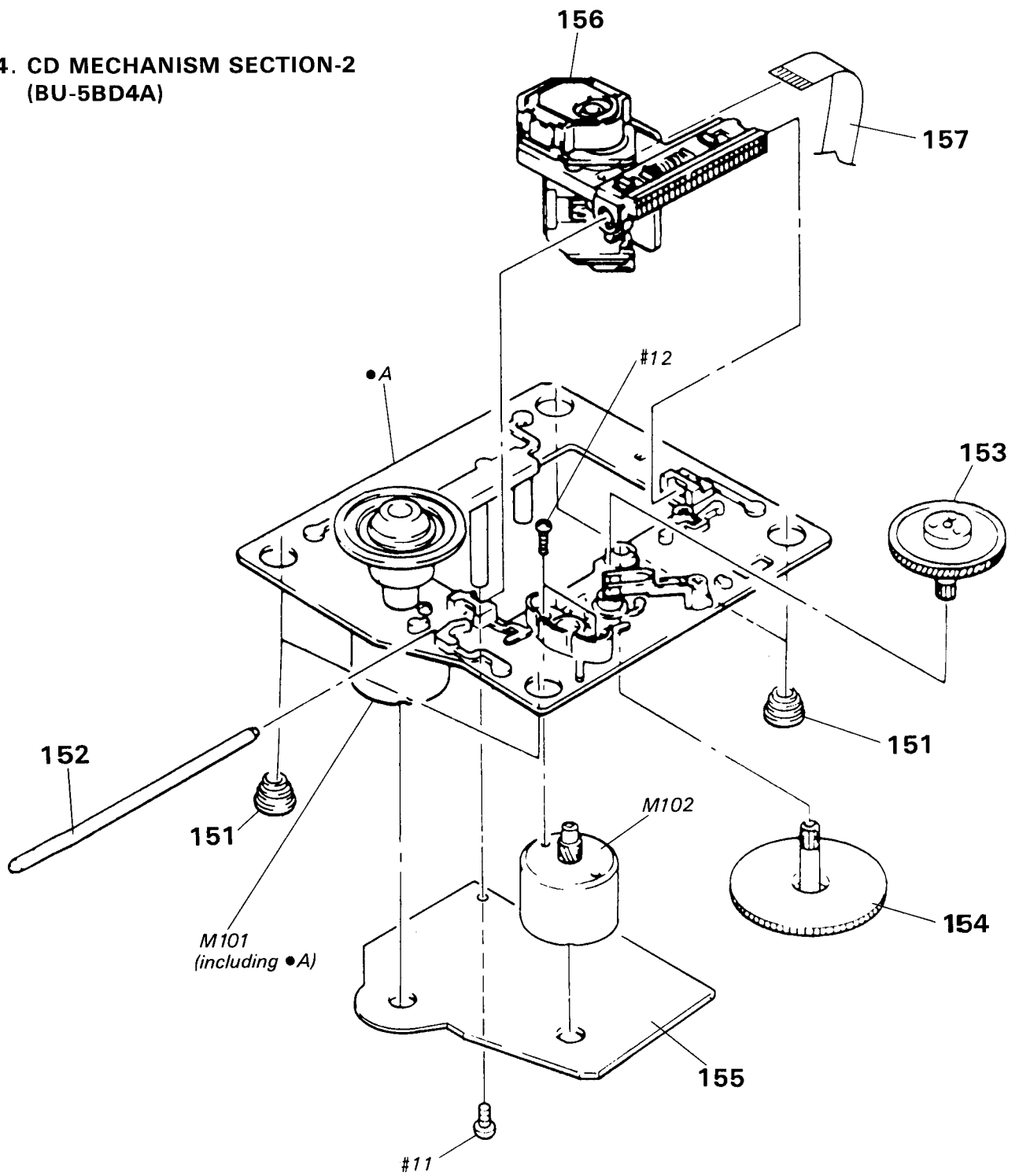
Note: The components identified by mark △ or dotted line with mark △ are critical for safety. Replace only with part number specified.

5-3. CD MECHANISM SECTION-1
(CDM13B-5BD4A)



Ref. No.	Part No.	Description	Remark	Ref. No.	Part No.	Description	Remark
101	4-944-012-01	TABLE, DISC		112	4-933-134-01	SCREW (+PTPWH M2.6X6)	
102	A-4604-752-A	HOLDER (MG) ASSY		113	4-917-541-01	SPRING (B)	
103	4-929-764-01	SHAFT (TABLE GUIDE)		114	4-929-747-01	HOLDER (BU)	
104	4-927-620-11	GEAR (P)		115	4-927-654-01	WASHER (LIMITER)	
105	4-927-628-01	GEAR (C)		116	3-659-338-00	SPRING, COMPRESSION	
106	4-929-724-01	PULLEY (B)		117	4-929-729-01	CAM (B)	
107	* 1-638-308-11	LOADING BOARD		118	4-929-727-01	CAM (A)	
108	4-927-649-01	BELT		119	X-4929-703-1	ARM ASSY, SWING	
109	4-944-006-01	BEARING		120	1-590-530-11	WIRE, FLAT TYPE	
110	* 4-917-583-21	BRACKET, YOKE		M291	A-4608-362-A	MOTOR (L) ASSY	
111	X-4941-462-1	CHASSIS (MD) ASSY					

5-4. CD MECHANISM SECTION-2
(BU-5BD4A)



Ref.No.	Part No.	Description	Remark
151	4-933-126-01	INSULATOR (A)	
152	4-917-565-01	SHAFT, SLED	
153	4-917-567-01	GEAR (M)	
154	4-917-564-01	GEAR (P), FLATNESS	
155	* A-4617-936-A	BD BOARD, COMPLETE	

Ref.No.	Part No.	Description	Remark
156	⚠ 8-848-144-11	DEVICE, OPTICAL KSS-240A	
157	1-575-001-11	WIRE, FLAT TYPE (12 CORE)	
M101	X-4917-523-3	MOTOR ASSY (SPINDLE)	
M102	X-4917-504-1	MORTOR ASSY (SLED)	

Note: The components identified by mark ⚠ or dotted line with mark ⚠ are critical for safety. Replace only with part number specified.

SECTION 6
ELECTRICAL PARTS LIST

BD

NOTE:

- Due to standardization, replacements in the parts list may be different from the parts specified in the diagrams or the components used on the set.
- Items marked "*" are not stocked since they are seldom required for routine service. Some delay should be anticipated when ordering these items.
- -XX, -X mean standardized parts, so they may have some differences from the original one.
- RESISTORS
All resistors are in ohms
METAL: Metal-film resistor
METAL OXIDE: Metal Oxide-film resistor
F: nonflammable

- SEMI CONDUCTORS
In each case, u: μ , for example:
uA...: μ A..., uPA...: μ PA...,
uPB...: μ PB..., uPC...: μ PC...,
uPD...: μ PD...
- CAPACITORS
uF: μ F
- COILS
uH: μ H

NEW TYPE: AEP, G, IT, UK

FORMER TYPE: AEP, UK

G: Germany

IT: Italian

Note: The components identified by mark Δ or dotted line with mark Δ are critical for safety.
Replace only with part number specified.

When indicating parts by reference number, please include the board name.

Ref. No.	Part No.	Description	Remark	Ref. No.	Part No.	Description	Remark
	* A-4617-936-A	BD BOARD, COMPLETE *****					
		< CAPACITOR >					
C101	1-163-038-00	CERAMIC CHIP	0.1uF 25V	C202	1-163-145-00	CERAMIC CHIP	0.0015uF 5% 50V
C102	1-163-989-11	CERAMIC CHIP	0.033uF 10% 25V	C203	1-163-038-00	CERAMIC CHIP	0.1uF 25V
C103	1-135-155-21	TANTALUM CHIP	4.7uF 10% 10V	C204	1-164-346-11	CERAMIC CHIP	1uF 16V
C104	1-163-038-00	CERAMIC CHIP	0.1uF 25V	C205	1-164-346-11	CERAMIC CHIP	1uF 16V
C105	1-126-607-11	ELECT CHIP	47uF 20% 4V	C206	1-163-101-00	CERAMIC CHIP	22PF 5% 50V
C106	1-126-607-11	ELECT CHIP	47uF 20% 4V	C207	1-163-101-00	CERAMIC CHIP	22PF 5% 50V
C107	1-126-607-11	ELECT CHIP	47uF 20% 4V	C208	1-164-346-11	CERAMIC CHIP	1uF 16V
C108	1-163-038-00	CERAMIC CHIP	0.1uF 25V	C209	1-164-346-11	CERAMIC CHIP	1uF 16V
C109	1-163-038-00	CERAMIC CHIP	0.1uF 25V	C210	1-163-038-00	CERAMIC CHIP	0.1uF 25V
C110	1-163-989-11	CERAMIC CHIP	0.033uF 10% 25V	C301	1-164-346-11	CERAMIC CHIP	1uF 16V
C111	1-164-346-11	CERAMIC CHIP	1uF 16V	C302	1-163-038-00	CERAMIC CHIP	0.1uF 25V
C112	1-164-232-11	CERAMIC CHIP	0.01uF 50V	C303	1-163-038-00	CERAMIC CHIP	0.1uF 25V
C113	1-164-232-11	CERAMIC CHIP	0.01uF 50V	C304	1-163-038-00	CERAMIC CHIP	0.1uF 25V
C114	1-164-695-11	CERAMIC CHIP	0.0022uF 5% 50V	C305	1-163-038-00	CERAMIC CHIP	0.1uF 25V
C115	1-164-695-11	CERAMIC CHIP	0.0022uF 5% 50V	C306	1-163-145-00	CERAMIC CHIP	0.0015uF 5% 50V
C117	1-163-038-00	CERAMIC CHIP	0.1uF 25V	C307	1-163-145-00	CERAMIC CHIP	0.0015uF 5% 50V
C118	1-163-038-00	CERAMIC CHIP	0.1uF 25V	C308	1-164-346-11	CERAMIC CHIP	1uF 16V
C119	1-164-695-11	CERAMIC CHIP	0.0022uF 5% 50V	C309	1-164-346-11	CERAMIC CHIP	1uF 16V
C120	1-163-989-11	CERAMIC CHIP	0.033uF 10% 25V	C310	1-163-125-00	CERAMIC CHIP	220PF 5% 50V
C151	1-163-019-00	CERAMIC CHIP	0.0068uF 10% 50V	C311	1-163-125-00	CERAMIC CHIP	220PF 5% 50V
C152	1-164-346-11	CERAMIC CHIP	1uF 16V	C312	1-164-346-11	CERAMIC CHIP	1uF 16V
C153	1-163-135-00	CERAMIC CHIP	560PF 5% 50V	C401	1-163-038-00	CERAMIC CHIP	0.1uF 25V
C154	1-164-695-11	CERAMIC CHIP	0.0022uF 5% 50V	C402	1-163-038-00	CERAMIC CHIP	0.1uF 25V
C155	1-163-023-00	CERAMIC CHIP	0.015uF 5% 50V			< CONNECTOR >	
C171	1-163-038-00	CERAMIC CHIP	0.1uF 25V	CN101	1-580-858-11	SOCKET, CONNECTOR (SMT)	5P
C172	1-163-038-00	CERAMIC CHIP	0.1uF 25V	CN102	1-580-866-11	SOCKET, CONNECTOR (SMT)	12P
C173	1-163-038-00	CERAMIC CHIP	0.1uF 25V	CN103	1-580-872-41	SOCKET, CONNECTOR (SMT)	19P
C174	1-163-038-00	CERAMIC CHIP	0.1uF 25V			< DIODE >	
C201	1-163-809-11	CERAMIC CHIP	0.047uF 10% 25V	D101	8-719-976-88	DIODE	DTZ3.98
				D201	8-719-988-62	DIODE	1SS355

BD **CD** **RST**

Ref. No.	Part No.	Description	Remark
< IC >			
IC101	8-752-050-82	IC CXA1372Q	
IC102	8-759-823-48	IC LA6525M	
IC103	8-759-636-20	IC M54641FP	
IC201	8-752-340-37	IC CXD25050	
IC202	8-759-153-16	IC uPD75116GF-760-3BE	
IC301	8-759-506-63	IC PCM67U	
IC302	8-759-981-95	IC RC4558S	
< CHIP JUMPER >			
J201	1-216-295-11	METAL CHIP 0	5% 1/10W
J202	1-216-295-11	METAL CHIP 0	5% 1/10W
< TRANSISTOR >			
Q101	8-729-805-45	TRANSISTOR 2SC3395	
Q201	8-729-602-21	TRANSISTOR 2SC4154-F	
< RESISTOR >			
R101	1-216-097-00	METAL CHIP 100K	5% 1/10W
R102	1-216-097-00	METAL CHIP 100K	5% 1/10W
R103	1-216-091-00	METAL CHIP 56K	5% 1/10W
R104	1-216-099-00	METAL CHIP 120K	5% 1/10W
R105	1-216-069-00	METAL CHIP 6.8K	5% 1/10W
R106	1-216-061-00	METAL CHIP 3.3K	5% 1/10W
R107	1-216-114-00	METAL GLAZE 510K	5% 1/10W
R108	1-216-105-00	METAL CHIP 220K	5% 1/10W
R109	1-216-061-00	METAL CHIP 3.3K	5% 1/10W
R110	1-216-049-00	METAL CHIP 1K	5% 1/10W
R111	1-216-049-00	METAL CHIP 1K	5% 1/10W
R112	1-216-083-00	METAL CHIP 27K	5% 1/10W
R113	1-216-071-00	METAL CHIP 8.2K	5% 1/10W
R114	1-216-105-00	METAL CHIP 220K	5% 1/10W
R152	1-216-073-00	METAL CHIP 10K	5% 1/10W
R153	1-216-085-00	METAL CHIP 33K	5% 1/10W
R154	1-216-085-00	METAL CHIP 33K	5% 1/10W
R155	1-216-093-00	METAL CHIP 68K	5% 1/10W
R156	1-216-081-00	METAL CHIP 22K	5% 1/10W
R157	1-236-427-11	NETWORK, RES 18K	
R159	1-216-079-00	METAL CHIP 18K	5% 1/10W
R160	1-216-049-00	METAL CHIP 1K	5% 1/10W
R171	1-216-001-00	METAL CHIP 10	5% 1/10W
R172	1-216-001-00	METAL CHIP 10	5% 1/10W
R173	1-216-001-00	METAL CHIP 10	5% 1/10W
R174	1-216-001-00	METAL CHIP 10	5% 1/10W
R201	1-216-061-00	METAL CHIP 3.3K	5% 1/10W
R202	1-216-073-00	METAL CHIP 10K	5% 1/10W
R203	1-216-061-00	METAL CHIP 3.3K	5% 1/10W
R204	1-216-049-00	METAL CHIP 1K	5% 1/10W

Ref. No.	Part No.	Description	Remark
R205	1-216-089-00	METAL CHIP 47K	5% 1/10W
R209	1-216-081-00	METAL CHIP 22K	5% 1/10W
R210	1-236-427-11	NETWORK, RES 18K	
R212	1-236-427-11	NETWORK, RES 18K	
R214	1-239-039-11	RESISTOR, NETWORK 22K	
R215	1-216-049-00	METAL CHIP 1K	5% 1/10W
R218	1-216-065-00	METAL CHIP 4.7K	5% 1/10W
R219	1-216-073-00	METAL CHIP 10K	5% 1/10W
R220	1-216-001-00	METAL CHIP 10	5% 1/10W
R222	1-236-427-11	NETWORK, RES 18K	
R223	1-216-081-00	METAL CHIP 22K	5% 1/10W
R224	1-216-081-00	METAL CHIP 22K	5% 1/10W
R225	1-216-081-00	METAL CHIP 22K	5% 1/10W
R226	1-216-081-00	METAL CHIP 22K	5% 1/10W
R301	1-236-413-11	NETWORK, RES 1.2K	
R303	1-216-055-00	METAL CHIP 1.8K	5% 1/10W
R304	1-216-055-00	METAL CHIP 1.8K	5% 1/10W
R305	1-216-097-00	METAL CHIP 100K	5% 1/10W
R306	1-216-097-00	METAL CHIP 100K	5% 1/10W
< VARIABLE RESISTOR >			
RV101	1-241-395-11	RES, ADJ, METAL GLAZE 10K	
RV102	1-241-395-11	RES, ADJ, METAL GLAZE 10K	
< SWITCH >			
SW101	1-572-085-11	SWITCH, LEAF (LIMIT)	
< CRYSTAL >			
X201	1-579-280-11	VIBRATOR, CRYSTAL 6.9344MHz	
X202	1-579-216-11	VIBRATOR, CERAMIC 4MHz	

* 1-639-977-11 CD RST BOARD (FORMER TYPE)			

< CAPACITOR >			
C1	1-126-925-11	ELECT 470uF	20% 10V
C2	1-126-933-11	ELECT 100uF	20% 10V
C3	1-126-933-11	ELECT 100uF	20% 10V
C4	1-126-933-11	ELECT 100uF	20% 10V
C5	1-126-933-11	ELECT 1uF	20% 10V
C6	1-126-933-11	ELECT 1uF	20% 10V
< CONNECTOR >			
CN1	* 1-564-706-11	CONNECTOR PIN 4P	
CN2	* 1-573-149-11	CONNECTR PIN	
CN3	* 1-573-149-11	CONNECTR PIN	

CD RST LOADING MAIN PANEL JACK PIN JACK VR

Ref. No.	Part No.	Description	Remark
		< DIODE >	
D1	8-719-912-20	DIODE 1SS120	
D2	8-719-912-20	DIODE 1SS120	
D3	8-719-912-20	DIODE 1SS120	
		< IC >	
IC1	8-759-821-93	IC LA5601	
IC2	8-759-916-12	IC SN74HC00AN	
		< TRANSISTOR >	
Q1	8-729-620-02	TRANSISTOR 2SA1115-EF	
Q2	8-729-620-05	TRANSISTOR 2SA2603-EF	
		< RESISTOR >	
R1	1-249-421-11	CARBON 2.2K 5% 1/4W	
R2	1-249-397-11	CARBON 22 5% 1/4W	
R3	1-249-421-11	CARBON 2.2K 5% 1/4W	
R4	1-249-433-11	CARBON 22K 5% 1/4W	
R5	1-249-405-11	CARBON 100 5% 1/4W	
R6	1-249-405-11	CARBON 100 5% 1/4W	

	* 1-638-308-11	LOADING BOARD	

		< CONNECTOR >	
CN201	1-580-918-11	HOUSING, CONNECTOR 5P	
		< SWITCH >	
S291	1-571-924-11	SWITCH, LEAF (LOAD OUT)	
S292	1-571-924-11	SWITCH, LEAF (LOAD IN)	

	* A-4341-657-A	MAIN BOARD, COMPLETE (AEP, UK)	
	* A-4341-662-A	MAIN BOARD, COMPLETE (G, IT)	

	* A-4341-658-A	PANEL BOARD, COMPLETE (AEP, UK)	
	* A-4341-664-A	PANEL BOARD, COMPLETE (G)	
	* A-4341-707-A	PANEL BOARD, COMPLETE (IT)	

	* 1-638-882-11	JACK BOARD	

	* 1-638-883-11	PIN JACK BOARD	

Ref. No.	Part No.	Description	Remark
	* 1-638-884-11	VR BOARD	

	* 4-944-202-01	HOLDER (FL)	
	* 4-946-050-11	CUSHION (FL)	
	7-685-646-79	SCREW +BVTP 3X8 TYPE2 N-S	
		< CAPACITOR >	
C1	1-126-925-11	ELECT 470uF 20% 10V (NEW TYPE)	
C2	1-126-933-11	ELECT 100uF 20% 16V (NEW TYPE)	
C3	1-126-933-11	ELECT 100uF 20% 16V (NEW TYPE)	
C4	1-126-933-11	ELECT 100uF 20% 16V (NEW TYPE)	
C5	1-164-346-11	CERAMIC CHIP 1uF 16V (NEW TYPE)	
C6	1-164-346-11	CERAMIC CHIP 1uF 16V (NEW TYPE)	
C101	1-163-117-00	CERAMIC CHIP 100PF 5% 50V	
C102	1-163-117-00	CERAMIC CHIP 100PF 5% 50V	
C103	1-163-117-00	CERAMIC CHIP 100PF 5% 50V	
C104	1-126-157-11	ELECT 10uF 20% 16V	
C105	1-164-232-11	CERAMIC CHIP 0.01uF 50V	
C106	1-163-018-00	CERAMIC CHIP 0.0056uF 5% 50V	
C107	1-163-012-00	CERAMIC CHIP 0.0018uF 10% 50V	
C108	1-164-346-11	CERAMIC CHIP 1uF 16V	
C109	1-163-117-00	CERAMIC CHIP 100PF 5% 50V (AEP, UK)	
C109	1-163-125-00	CERAMIC CHIP 220PF 5% 50V (G, IT)	
C110	1-163-117-00	CERAMIC CHIP 100PF 5% 50V	
C151	1-163-117-00	CERAMIC CHIP 100PF 5% 50V	
C152	1-163-117-00	CERAMIC CHIP 100PF 5% 50V	
C153	1-163-117-00	CERAMIC CHIP 100PF 5% 50V	
C154	1-126-157-11	ELECT 10uF 20% 16V	
C155	1-164-232-11	CERAMIC CHIP 0.01uF 50V	
C156	1-163-018-00	CERAMIC CHIP 0.0056uF 5% 50V	
C157	1-163-012-00	CERAMIC CHIP 0.0018uF 10% 50V	
C158	1-164-346-11	CERAMIC CHIP 1uF 16V	
C159	1-163-117-00	CERAMIC CHIP 100PF 5% 50V (AEP, UK)	
C159	1-163-125-00	CERAMIC CHIP 220PF 5% 50V (G, IT)	
C160	1-163-117-00	CERAMIC CHIP 100PF 5% 50V	
C203	1-163-117-00	CERAMIC CHIP 100PF 5% 50V	
C204	1-164-222-11	CERAMIC CHIP 0.22uF 2.5V	
C205	1-164-492-11	CERAMIC CHIP 0.15uF 10% 1.6V	
C206	1-163-038-00	CERAMIC CHIP 0.1uF 2.5V	
C207	1-164-343-11	CERAMIC CHIP 0.056uF 10% 2.5V	
C208	1-163-035-00	CERAMIC CHIP 0.047uF 50V	
C209	1-163-033-00	CERAMIC CHIP 0.022uF 50V	
C210	1-163-024-00	CERAMIC CHIP 0.018uF 10% 50V	
C211	1-164-232-11	CERAMIC CHIP 0.01uF 50V	

MAIN

PANEL

JACK

PIN JACK

VR

Ref. No.	Part No.	Description	Remark			Ref. No.	Part No.	Description	Remark		
C212	1-163-019-00	CERAMIC CHIP	0.0068uF	10%	50V	C271	1-126-163-11	ELECT	4.7uF	20%	50V
C213	1-163-016-00	CERAMIC CHIP	0.0039uF	10%	50V	C272	1-163-005-11	CERAMIC CHIP	470PF	10%	50V
C214	1-163-014-00	CERAMIC CHIP	0.0027uF	10%	50V	C273	1-126-163-11	ELECT	4.7uF	20%	50V
C215	1-163-011-11	CERAMIC CHIP	0.0015uF	10%	50V	C274	1-163-833-00	CERAMIC CHIP	0.068uF		25V
C216	1-163-010-11	CERAMIC CHIP	0.0012uF	10%	50V	C275	1-126-163-11	ELECT	4.7uF	20%	50V
C217	1-163-137-00	CERAMIC CHIP	680PF	5%	50V	C276	1-163-833-00	CERAMIC CHIP	0.068uF		25V
C218	1-126-163-11	ELECT	4.7uF	20%	50V	C278	1-126-967-11	ELECT	47uF	20%	50V
C219	1-163-117-00	CERAMIC CHIP	100PF	5%	50V	C279	1-126-967-11	ELECT	47uF	20%	50V
C220	1-126-163-11	ELECT	4.7uF	20%	50V	C280	1-126-948-11	ELECT	100uF	20%	35V
C221	1-126-163-11	ELECT	4.7uF	20%	50V	C281	1-164-232-11	CERAMIC CHIP	0.01uF		50V
C222	1-163-005-11	CERAMIC CHIP	470PF	10%	50V	C282	1-126-948-11	ELECT	100uF	20%	35V
C223	1-126-163-11	ELECT	4.7uF	20%	50V	C285	1-126-937-11	ELECT	4700uF	20%	16V
C224	1-163-833-00	CERAMIC CHIP	0.068uF		25V	C286	1-126-943-11	ELECT	2200uF	20%	25V
C225	1-126-163-11	ELECT	4.7uF	20%	50V	C287	1-126-301-11	ELECT	1uF	20%	50V
C226	1-163-833-00	CERAMIC CHIP	0.068uF		25V	C288	1-126-096-11	ELECT	10uF	20%	35V
C229	1-163-005-11	CERAMIC CHIP	470PF	10%	50V	C289	1-124-589-11	ELECT	47uF	20%	16V
C230	1-163-005-11	CERAMIC CHIP	470PF	10%	50V	C290	1-124-477-11	ELECT	47uF	20%	25V
C231	1-126-096-11	ELECT	10uF	20%	35V	C291	1-124-589-11	ELECT	47uF	20%	16V
C232	1-126-163-11	ELECT	4.7uF	20%	50V	C292	1-124-589-11	ELECT	47uF	20%	16V
C233	1-163-038-00	CERAMIC CHIP	0.1uF		25V	C295	1-126-096-11	ELECT	10uF	20%	35V
C234	1-164-505-11	CERAMIC CHIP	2.2uF		16V	C296	1-126-096-11	ELECT	10uF	20%	35V
C236	1-163-035-00	CERAMIC CHIP	0.047uF		50V	C297	1-126-096-11	ELECT	10uF	20%	35V
C237	1-126-935-11	ELECT	470uF	20%	16V	C301	1-126-925-11	ELECT	470uF	20%	10V
C238	1-164-232-11	CERAMIC CHIP	0.01uF		50V	C302	1-126-925-11	ELECT	470uF	20%	10V
C239	1-126-933-11	ELECT	100uF	20%	16V	C303	1-163-009-11	CERAMIC CHIP	0.001uF	10%	50V
C241	1-163-038-00	CERAMIC CHIP	0.1uF		25V	C306	1-163-095-00	CERAMIC CHIP	12PF	5%	50V
C243	1-136-173-00	FILM	0.47uF	5%	50V	C307	1-163-095-00	CERAMIC CHIP	12PF	5%	50V
C244	1-136-173-00	FILM	0.47uF	5%	50V	C311	1-163-038-00	CERAMIC CHIP	0.1uF		25V
C245	1-126-163-11	ELECT	4.7uF	20%	50V	C312	1-126-157-11	ELECT	10uF	20%	16V
C246	1-126-933-11	ELECT	100uF	20%	16V	C313	1-164-232-11	CERAMIC CHIP	0.01uF		50V
C247	1-126-933-11	ELECT	100uF	20%	16V	C314	1-125-486-11	DUBLE LAYERS	0.22F		5.5V
C253	1-163-117-00	CERAMIC CHIP	100PF	5%	50V	C315	1-164-346-11	CERAMIC CHIP	1uF		16V
C254	1-164-222-11	CERAMIC CHIP	0.22uF		25V	C341	1-164-005-11	CERAMIC CHIP	0.47uF		25V
C255	1-164-492-11	CERAMIC CHIP	0.15uF	10%	16V	C342	1-164-005-11	CERAMIC CHIP	0.47uF		25V
C256	1-163-038-00	CERAMIC CHIP	0.1uF		25V	C361	1-163-009-11	CERAMIC CHIP	0.001uF	10%	50V
C257	1-164-343-11	CERAMIC CHIP	0.056uF	10%	25V	C362	1-163-038-00	CERAMIC CHIP	0.1uF		25V
C258	1-163-035-00	CERAMIC CHIP	0.047uF		50V	C363	1-163-009-11	CERAMIC CHIP	0.001uF	10%	50V
C259	1-163-033-00	CERAMIC CHIP	0.022uF		50V	C364	1-163-117-00	CERAMIC CHIP	100PF	5%	50V
C260	1-163-024-00	CERAMIC CHIP	0.018uF	10%	50V	C365	1-163-109-00	CERAMIC CHIP	47PF	5%	50V
C261	1-164-232-11	CERAMIC CHIP	0.01uF		50V	C366	1-163-038-00	CERAMIC CHIP	0.1uF		25V
C262	1-163-019-00	CERAMIC CHIP	0.0068uF	10%	50V	C367	1-163-038-00	CERAMIC CHIP	0.1uF		25V
C263	1-163-016-00	CERAMIC CHIP	0.0039uF	10%	50V	C368	1-164-346-11	CERAMIC CHIP	1uF		16V
C264	1-163-014-00	CERAMIC CHIP	0.0027uF	10%	50V	C369	1-126-933-11	ELECT	100uF	20%	16V
C265	1-163-011-11	CERAMIC CHIP	0.0015uF	10%	50V	C370	1-163-018-00	CERAMIC CHIP	0.0056uF	5%	50V
C266	1-163-010-11	CERAMIC CHIP	0.0012uF	10%	50V	C371	1-163-038-00	CERAMIC CHIP	0.1uF		25V
C267	1-163-137-00	CERAMIC CHIP	680PF	5%	50V	C372	1-163-009-11	CERAMIC CHIP	0.001uF	10%	50V
C268	1-126-163-11	ELECT	4.7uF	20%	50V	C373	1-163-117-00	CERAMIC CHIP	100PF	5%	50V
C269	1-163-117-00	CERAMIC CHIP	100PF	5%	50V	C374	1-164-232-11	CERAMIC CHIP	0.01uF		50V
C270	1-126-163-11	ELECT	4.7uF	20%	50V	C381	1-163-038-00	CERAMIC CHIP	0.1uF		25V

MAIN

PANEL

JACK

PIN JACK

VR

Ref. No.	Part No.	Description	Remark
C382	1-163-009-11	CERAMIC CHIP 0.001uF	10% 50V
C383	1-163-117-00	CERAMIC CHIP 100PF	5% 50V
C384	1-164-232-11	CERAMIC CHIP 0.01uF	50V
C391	1-126-157-11	ELECT 10uF	20% 16V
C392	1-163-038-00	CERAMIC CHIP 0.1uF	25V
C395	1-126-157-11	ELECT 10uF	20% 16V
C396	1-163-038-00	CERAMIC CHIP 0.1uF	25V
C1101	1-163-117-11	CERAMIC CHIP 100PF	5% 50V (G, IT)
C1151	1-163-117-11	CERAMIC CHIP 100PF	5% 50V (G, IT)
C2201	1-164-346-11	CERAMIC CHIP 1uF	16V
C2202	1-164-346-11	CERAMIC CHIP 1uF	16V
C2203	1-164-505-11	CERAMIC CHIP 2.2uF	16V
C2204	1-164-505-11	CERAMIC CHIP 2.2uF	16V
C2205	1-164-346-11	CERAMIC CHIP 1uF	16V
C2206	1-163-133-00	CERAMIC CHIP 470PF	5% 50V
C2208	1-126-926-11	ELECT 1000uF	20% 10V
C2209	1-163-117-00	CERAMIC CHIP 100PF	5% 50V
C2210	1-163-125-00	CERAMIC CHIP 220PF	5% 50V
C2211	1-126-923-11	ELECT 220uF	20% 10V
C2212	1-163-038-00	CERAMIC CHIP 0.1uF	25V
C2216	1-163-117-00	CERAMIC CHIP 100PF	5% 50V
C2217	1-163-117-00	CERAMIC CHIP 100PF	5% 50V
C2218	1-164-346-11	CERAMIC CHIP 1uF	16V
C2219	1-164-346-11	CERAMIC CHIP 1uF	16V
C2220	1-163-036-00	CERAMIC CHIP 0.068uF	50V
C2221	1-124-907-11	ELECT 10uF	20% 50V
C2222	1-163-009-11	CERAMIC CHIP 0.001uF	10% 50V (G, IT)
C2223	1-163-009-11	CERAMIC CHIP 0.001uF	10% 50V (G, IT)
C2251	1-164-346-11	CERAMIC CHIP 1uF	16V
C2252	1-164-346-11	CERAMIC CHIP 1uF	16V
C2253	1-164-505-11	CERAMIC CHIP 2.2uF	16V
C2254	1-164-505-11	CERAMIC CHIP 2.2uF	16V
C2256	1-163-133-00	CERAMIC CHIP 470PF	5% 50V
C2259	1-163-117-00	CERAMIC CHIP 100PF	5% 50V
C2260	1-163-125-00	CERAMIC CHIP 220PF	5% 50V
C2271	1-164-232-11	CERAMIC CHIP 0.01uF	50V
C2272	1-163-038-00	CERAMIC CHIP 0.1uF	25V
C2273	1-163-038-00	CERAMIC CHIP 0.1uF	25V
C2274	1-163-038-00	CERAMIC CHIP 0.1uF	25V
C2275	1-163-038-00	CERAMIC CHIP 0.1uF	25V
C2276	1-163-117-00	CERAMIC CHIP 100PF	5% 50V
C2277	1-163-117-00	CERAMIC CHIP 100PF	5% 50V
C2278	1-163-117-00	CERAMIC CHIP 100PF	5% 50V
C2279	1-163-038-00	CERAMIC CHIP 0.1uF	25V
C2280	1-163-038-00	CERAMIC CHIP 0.1uF	25V

Ref. No.	Part No.	Description	Remark
C2285	1-164-232-11	CERAMIC CHIP 0.01uF	50V
C2286	1-164-232-11	CERAMIC CHIP 0.01uF	50V
C2288	1-164-232-11	CERAMIC CHIP 0.01uF	50V
C2289	1-163-038-00	CERAMIC CHIP 0.1uF	25V
C2290	1-164-005-11	CERAMIC CHIP 0.47uF	25V
C2291	1-126-947-91	ELECT 47uF	20% 35V
C2371	1-164-232-11	CERAMIC CHIP 0.01uF	50V
C2372	1-164-232-11	CERAMIC CHIP 0.01uF	50V
C3301	1-164-232-11	CERAMIC CHIP 0.01uF	50V
C3302	1-164-232-11	CERAMIC CHIP 0.01uF	50V
C3303	1-164-232-11	CERAMIC CHIP 0.01uF	50V
C3304	1-164-232-11	CERAMIC CHIP 0.01uF	50V
C3305	1-126-933-11	ELECT 100uF	20% 16V
C3306	1-164-232-11	CERAMIC CHIP 0.01uF	50V
C3371	1-126-933-11	ELECT 100uF	20% 16V
C3372	1-164-505-11	CERAMIC CHIP 2.2uF	16V
C3376	1-164-232-11	CERAMIC CHIP 0.01uF	50V
C3381	1-126-933-11	ELECT 100uF	20% 16V
C3382	1-164-505-11	CERAMIC CHIP 2.2uF	16V

< CONNECTOR >

CN1	* 1-573-107-11	CONNECTOR, PC BOARD (PLUG)
CN2	* 1-573-107-11	CONNECTOR, PC BOARD (PLUG)
CN4	* 1-573-107-11	CONNECTOR, PC BOARD (PLUG)
CN5	* 1-573-107-11	CONNECTOR, PC BOARD (PLUG)
CN7	* 1-573-107-11	CONNECTOR, PC BOARD (PLUG)
CN101	* 1-566-859-11	SOCKET, CONNECTOR 15P (SYSTEM CONTROL)
CN102	* 1-565-971-11	SOCKET, CONNECTOR (PC BOARD) 9P
CN103	* 1-565-968-11	PIN, CONNECTOR (PC BOARD) 9P
CN201	* 1-573-084-11	CONNECTOR, FPC (NON ZIF) 20P
CN202	* 1-573-084-11	CONNECTOR, FPC (NON ZIF) 20P
CN203	* 1-573-085-11	CONNECTOR, FPC (NON ZIF) 19P
CN204	* 1-564-706-11	PIN, CONNECTOR (SMALL TYPE) 4P
CN205	* 1-564-714-11	PIN, CONNECTOR (SMALL TYPE) 12P
CN301	* 1-573-084-11	CONNECTOR, FPC (NON ZIF) 20P
CN302	* 1-573-084-11	CONNECTOR, FPC (NON ZIF) 20P

CN351	* 1-561-651-00	SOCKET, CONNECTOR 7P
CN352	1-569-132-11	PIN, CONNECTOR 7P
CN353	1-573-712-11	CONNECTOR, BOARD TO BOARD 8P
CN361	1-562-088-00	SOCKET, CONNECTOR 9P
CN362	1-560-943-00	PIN, CONNECTOR 9P

< DIODE >

D1	8-719-988-62	DIODE 1SS355 (NEW TYPE)
D2	8-719-988-62	DIODE 1SS355 (NEW TYPE)
D3	8-719-988-62	DIODE 1SS355 (NEW TYPE)
D201	8-719-988-62	DIODE 1SS355
D202	8-719-988-62	DIODE 1SS355
D203	8-719-988-62	DIODE 1SS355

MAIN

PANEL

JACK

PIN JACK

VR

Ref. No.	Part No.	Description	Remark	Ref. No.	Part No.	Description	Remark
D205	8-719-976-96	DIODE DTZ4.7C		IC205	8-759-636-57	IC CXA1492Q	
D281	8-719-210-33	DIODE EC10DS2		IC206	8-759-981-95	IC RC4558S	
D282	8-719-210-33	DIODE EC10DS2		IC207	8-759-823-46	IC LA5603	
D283	8-719-977-81	DIODE DTZ33B		IC301	8-759-991-11	IC XR1091DCP	
D284	8-719-988-62	DIODE 1SS355		IC302	8-759-516-41	IC CD4052BCM	
D286	8-719-210-33	DIODE EC10DS2		IC303	8-759-140-57	IC μ PD4990AG	
D287	8-719-210-33	DIODE EC10DS2		IC304	8-759-500-31	IC X24C01P	
D288	8-719-210-39	DIODE EC10QS-04		IC305	8-759-154-53	IC μ PD78134GF-032-3B9	
D289	8-719-210-39	DIODE EC10QS-04		IC306	8-759-512-44	IC SN755703	
D290	8-719-977-36	DIODE DTZ12B		IC307	8-759-512-44	IC SN755703	
D291	8-719-988-62	DIODE 1SS355		IC308	8-749-922-36	IC GP1U50XB	
D292	8-719-977-07	DIODE DTZ6.2B		IC309	8-759-927-29	IC SN74HCU04ANS	
D293	8-719-988-62	DIODE 1SS355		IC361	8-759-981-95	IC RC4558S	
D294	8-719-988-62	DIODE 1SS355		IC362	8-759-636-55	IC M5218AFP	
D301	8-719-977-03	DIODE DTZ5.6B		IC395	8-759-820-62	IC LB1639	
D302	8-719-977-03	DIODE DTZ5.6B		< JACK >			
D311	8-719-988-62	DIODE 1SS355		J101	1-565-320-11	JACK, PIN 6P (VIDEO/AUX. DAT)	
D312	8-719-988-62	DIODE 1SS355		J361	1-562-837-21	JACK (MIX MIC)	
D313	8-719-988-62	DIODE 1SS355		J362	1-562-837-21	JACK (HEADPHONES)	
D314	8-719-988-62	DIODE 1SS355		< CHIP JUMPER >			
D316	8-719-301-39	DIODE SEL2210S		JW201	1-216-295-00	METAL CHIP 0 5% 1/10W	
D317	8-719-301-39	DIODE SEL2210S		JW202	1-216-295-00	METAL CHIP 0 5% 1/10W	
D318	8-719-301-39	DIODE SEL2210S		JW203	1-216-295-00	METAL CHIP 0 5% 1/10W	
D319	8-719-301-39	DIODE SEL2210S		JW204	1-216-295-00	METAL CHIP 0 5% 1/10W	
D320	8-719-301-39	DIODE SEL2210S		JW209	1-216-295-00	METAL CHIP 0 5% 1/10W	
D321	8-719-301-39	DIODE SEL2210S		JW210	1-216-295-00	METAL CHIP 0 5% 1/10W	
D322	8-719-301-39	DIODE SEL2210S		JW212	1-216-295-00	METAL CHIP 0 5% 1/10W	
D323	8-719-301-39	DIODE SEL2210S		JW282	1-216-296-00	METAL CHIP 0 5% 1/8W	
D324	8-719-988-62	DIODE 1SS355		JW284	1-216-296-00	METAL CHIP 0 5% 1/8W	
D325	8-719-988-62	DIODE 1SS355		JW285	1-216-296-00	METAL CHIP 0 5% 1/8W	
D326	8-719-988-62	DIODE 1SS355		JW286	1-216-296-00	METAL CHIP 0 5% 1/8W	
D327	8-719-988-62	DIODE 1SS355		JW287	1-216-296-00	METAL CHIP 0 5% 1/8W	
D328	8-719-988-62	DIODE 1SS355		JW304	1-216-296-00	METAL CHIP 0 5% 1/8W	
D329	8-719-988-62	DIODE 1SS355		JW305	1-216-296-00	METAL CHIP 0 5% 1/8W	
D330	8-719-988-62	DIODE 1SS355		JW306	1-216-296-00	METAL CHIP 0 5% 1/8W	
D331	8-719-988-62	DIODE 1SS355		JW351	1-216-295-00	METAL CHIP 0 5% 1/10W	
D391	8-719-988-62	DIODE 1SS355		JW352	1-216-295-00	METAL CHIP 0 5% 1/10W	
< FILTER >				JW353	1-216-295-00	METAL CHIP 0 5% 1/10W	
FL301	1-519-637-11	INDICATOR TUBE, FLUORESCENT		JW354	1-216-295-00	METAL CHIP 0 5% 1/10W	
< IC >				JW355	1-216-295-00	METAL CHIP 0 5% 1/10W	
IC1	8-759-821-93	IC LA5601 (NEW TYPE)		JW357	1-216-295-00	METAL CHIP 0 5% 1/10W	
IC101	8-759-981-95	IC RC4558S		< COIL >			
IC201	8-759-516-41	IC CD4052BCM		L2201	1-410-393-11	INDUCTOR, CHIP 100uH	
IC202	8-759-516-41	IC CD4052BCM		L2202	1-408-789-21	INDUCTOR, CHIP 100uH	
IC203	8-759-981-95	IC RC4558S		L2203	1-410-393-11	INDUCTOR, CHIP 100uH	
IC204	8-759-516-47	IC CD4066BCM					

MAIN

PANEL

JACK

PIN JACK

VR

Ref. No.	Part No.	Description	Remark	Ref. No.	Part No.	Description	Remark
< TRANSISTOR >				R160	1-216-295-00	METAL CHIP	0 5% 1/10W
Q1	8-729-602-36	TRANSISTOR 2SA1602 (NEW TYPE)		R181	1-216-121-00	METAL CHIP	1M 5% 1/10W
Q2	8-729-602-21	TRANSISTOR 2SC4154-F (NEW TYPE)		R182	1-216-121-00	METAL CHIP	1M 5% 1/10W
Q3	8-729-810-19	TRANSISTOR 2SC4396 (NEW TYPE)		R183	1-216-121-00	METAL CHIP	1M 5% 1/10W
Q4	8-729-810-19	TRANSISTOR 2SC4396 (NEW TYPE)		R184	1-216-121-00	METAL CHIP	1M 5% 1/10W
Q201	8-729-602-21	TRANSISTOR 2SC4154-F		R185	1-216-121-00	METAL CHIP	1M 5% 1/10W
Q202	8-729-602-21	TRANSISTOR 2SC4154-F		R186	1-216-121-00	METAL CHIP	1M 5% 1/10W
Q203	8-729-602-21	TRANSISTOR 2SC4154-F		R187	1-216-121-00	METAL CHIP	1M 5% 1/10W
Q204	8-729-602-21	TRANSISTOR 2SC4154-F		R188	1-216-073-00	METAL CHIP	10K 5% 1/10W
Q205	8-729-602-21	TRANSISTOR 2SC4154-F		R189	1-216-073-00	METAL CHIP	10K 5% 1/10W
Q206	8-729-602-21	TRANSISTOR 2SC4154-F		R190	1-216-049-00	METAL CHIP	1K 5% 1/10W
Q281	8-729-209-15	TRANSISTOR 2SD2012		R191	1-216-121-00	METAL CHIP	1M 5% 1/10W
Q283	8-729-209-15	TRANSISTOR 2SD2012		R192	1-216-121-00	METAL CHIP	1M 5% 1/10W
Q284	8-729-810-28	TRANSISTOR 2SC4398		R193	1-216-121-00	METAL CHIP	1M 5% 1/10W
Q286	8-729-810-16	TRANSISTOR 2SA1678		R194	1-216-121-00	METAL CHIP	1M 5% 1/10W
Q287	8-729-810-28	TRANSISTOR 2SC4398		R195	1-216-121-00	METAL CHIP	1M 5% 1/10W
Q289	8-729-602-21	TRANSISTOR 2SC4154-F		R196	1-216-121-00	METAL CHIP	1M 5% 1/10W
Q290	8-729-808-01	TRANSISTOR 2SD1622-S		R197	1-216-121-00	METAL CHIP	1M 5% 1/10W
Q311	8-729-602-21	TRANSISTOR 2SC4154-F		R198	1-216-049-00	METAL CHIP	1K 5% 1/10W
Q312	8-729-602-21	TRANSISTOR 2SC4154-F		R199	1-216-057-00	METAL CHIP	2.2K 5% 1/10W
Q313	8-729-602-21	TRANSISTOR 2SC4154-F		R201	1-216-049-00	METAL CHIP	1K 5% 1/10W
Q314	8-729-810-28	TRANSISTOR 2SC4398		R202	1-216-049-00	METAL CHIP	1K 5% 1/10W
< RESISTOR >				R203	1-216-049-00	METAL CHIP	1K 5% 1/10W
R1	1-216-057-00	METAL CHIP 2.2K 5% 1/10W (NEW TYPE)		R205	1-216-089-00	METAL CHIP	47K 5% 1/10W
R2	1-216-009-00	METAL CHIP 22 5% 1/10W (NEW TYPE)		R207	1-216-089-00	METAL CHIP	47K 5% 1/10W
R3	1-216-057-00	METAL CHIP 2.2K 5% 1/10W (NEW TYPE)		R208	1-216-089-00	METAL CHIP	47K 5% 1/10W
R4	1-216-081-00	METAL CHIP 22K 5% 1/10W (NEW TYPE)		R209	1-216-089-00	METAL CHIP	47K 5% 1/10W
R5	1-216-073-00	METAL CHIP 10K 5% 1/10W (NEW TYPE)		R210	1-216-073-00	METAL CHIP	10K 5% 1/10W
R101	1-216-049-00	METAL CHIP 1K 5% 1/10W		R211	1-216-073-00	METAL CHIP	10K 5% 1/10W
R102	1-216-089-00	METAL CHIP 47K 5% 1/10W		R212	1-216-073-00	METAL CHIP	10K 5% 1/10W
R103	1-216-049-00	METAL CHIP 1K 5% 1/10W		R213	1-216-073-00	METAL CHIP	10K 5% 1/10W
R104	1-216-115-00	METAL CHIP 560K 5% 1/10W		R214	1-216-073-00	METAL CHIP	10K 5% 1/10W
R105	1-216-089-00	METAL CHIP 47K 5% 1/10W		R215	1-216-049-00	METAL CHIP	1K 5% 1/10W
R106	1-216-049-00	METAL CHIP 1K 5% 1/10W		R216	1-216-089-00	METAL CHIP	47K 5% 1/10W
R107	1-216-089-00	METAL CHIP 47K 5% 1/10W		R217	1-216-025-00	METAL CHIP	100 5% 1/10W
R108	1-216-037-00	METAL CHIP 330 5% 1/10W		R218	1-216-121-00	METAL CHIP	1M 5% 1/10W
R109	1-216-073-00	METAL CHIP 10K 5% 1/10W		R219	1-216-083-00	METAL CHIP	27K 5% 1/10W
R110	1-216-295-00	METAL CHIP 0 5% 1/10W		R220	1-216-053-00	METAL CHIP	1.5K 5% 1/10W
R151	1-216-049-00	METAL CHIP 1K 5% 1/10W		R221	1-216-121-00	METAL CHIP	1M 5% 1/10W
R152	1-216-089-00	METAL CHIP 47K 5% 1/10W		R222	1-216-073-00	METAL CHIP	10K 5% 1/10W
R153	1-216-049-00	METAL CHIP 1K 5% 1/10W		R223	1-216-025-00	METAL CHIP	100 5% 1/10W
R154	1-216-115-00	METAL CHIP 560K 5% 1/10W		R224	1-216-057-00	METAL CHIP	2.2K 5% 1/10W
R155	1-216-089-00	METAL CHIP 47K 5% 1/10W		R251	1-216-049-00	METAL CHIP	1K 5% 1/10W
R156	1-216-049-00	METAL CHIP 1K 5% 1/10W		R252	1-216-049-00	METAL CHIP	1K 5% 1/10W
R157	1-216-089-00	METAL CHIP 47K 5% 1/10W		R253	1-216-049-00	METAL CHIP	1K 5% 1/10W
R158	1-216-037-00	METAL CHIP 330 5% 1/10W		R255	1-216-089-00	METAL CHIP	47K 5% 1/10W
R159	1-216-073-00	METAL CHIP 10K 5% 1/10W		R257	1-216-089-00	METAL CHIP	47K 5% 1/10W
				R258	1-216-089-00	METAL CHIP	47K 5% 1/10W
				R259	1-216-089-00	METAL CHIP	47K 5% 1/10W

MAIN

PANEL

JACK

PIN JACK

VR

Ref. No.	Part No.	Description	Remark	Ref. No.	Part No.	Description	Remark
R260	1-216-073-00	METAL CHIP	10K 5% 1/10W	R317	1-216-097-00	METAL CHIP	100K 5% 1/10W
R261	1-216-073-00	METAL CHIP	10K 5% 1/10W	R318	1-216-073-00	METAL CHIP	10K 5% 1/10W
R262	1-216-073-00	METAL CHIP	10K 5% 1/10W	R319	1-216-065-00	METAL CHIP	4.7K 5% 1/10W
R263	1-216-073-00	METAL CHIP	10K 5% 1/10W	R320	1-216-073-00	METAL CHIP	10K 5% 1/10W
R264	1-216-073-00	METAL CHIP	10K 5% 1/10W	R321	1-216-061-00	METAL CHIP	3.3K 5% 1/10W
R265	1-216-049-00	METAL CHIP	1K 5% 1/10W	R322	1-216-041-00	METAL CHIP	470 5% 1/10W
R266	1-216-089-00	METAL CHIP	47K 5% 1/10W	R323	1-216-045-00	METAL CHIP	680 5% 1/10W
R267	1-216-025-00	METAL CHIP	100 5% 1/10W	R324	1-216-049-00	METAL CHIP	1K 5% 1/10W
R268	1-216-121-00	METAL CHIP	1M 5% 1/10W	R325	1-216-053-00	METAL CHIP	1.5K 5% 1/10W
R269	1-216-083-00	METAL CHIP	27K 5% 1/10W	R326	1-216-057-00	METAL CHIP	2.2K 5% 1/10W
R270	1-216-053-00	METAL CHIP	1.5K 5% 1/10W	R327	1-216-061-00	METAL CHIP	3.3K 5% 1/10W
R271	1-216-121-00	METAL CHIP	1M 5% 1/10W	R328	1-216-041-00	METAL CHIP	470 5% 1/10W
R272	1-216-073-00	METAL CHIP	10K 5% 1/10W	R329	1-216-045-00	METAL CHIP	680 5% 1/10W
R273	1-216-025-00	METAL CHIP	100 5% 1/10W	R330	1-216-049-00	METAL CHIP	1K 5% 1/10W
R274	1-216-057-00	METAL CHIP	2.2K 5% 1/10W	R331	1-216-053-00	METAL CHIP	1.5K 5% 1/10W
R275	1-216-073-00	METAL CHIP	10K 5% 1/10W	R332	1-216-057-00	METAL CHIP	2.2K 5% 1/10W
R276	1-216-073-00	METAL CHIP	10K 5% 1/10W (FORMER TYPE)	R333	1-216-061-00	METAL CHIP	3.3K 5% 1/10W
R277	1-216-049-00	METAL CHIP	1K 5% 1/10W	R334	1-216-041-00	METAL CHIP	470 5% 1/10W
R281	1-216-049-00	METAL CHIP	1K 5% 1/10W	R335	1-216-045-00	METAL CHIP	680 5% 1/10W
R282	1-216-049-00	METAL CHIP	1K 5% 1/10W	R336	1-216-049-00	METAL CHIP	1K 5% 1/10W
R283	1-216-049-00	METAL CHIP	1K 5% 1/10W	R337	1-216-053-00	METAL CHIP	1.5K 5% 1/10W
R284	1-216-049-00	METAL CHIP	1K 5% 1/10W	R338	1-216-057-00	METAL CHIP	2.2K 5% 1/10W
R285	1-216-001-00	METAL CHIP	10 5% 1/10W	R340	1-216-061-00	METAL CHIP	3.3K 5% 1/10W
R286	1-216-079-00	METAL CHIP	18K 5% 1/10W	R341	1-216-041-00	METAL CHIP	470 5% 1/10W
R287	1-216-061-00	METAL CHIP	3.3K 5% 1/10W	R342	1-216-045-00	METAL CHIP	680 5% 1/10W
R291	1-216-061-00	METAL CHIP	3.3K 5% 1/10W	R343	1-216-049-00	METAL CHIP	1K 5% 1/10W
R292	1-216-049-00	METAL CHIP	1K 5% 1/10W	R344	1-216-053-00	METAL CHIP	1.5K 5% 1/10W
R293	1-216-049-00	METAL CHIP	1K 5% 1/10W	R345	1-216-057-00	METAL CHIP	2.2K 5% 1/10W
R294	1-216-049-00	METAL CHIP	1K 5% 1/10W	R346	1-216-065-00	METAL CHIP	4.7K 5% 1/10W
R295	1-216-061-00	METAL CHIP	3.3K 5% 1/10W	R347	1-216-097-00	METAL CHIP	100K 5% 1/10W
R298	1-216-025-00	METAL CHIP	100 5% 1/10W	R348	1-216-097-00	METAL CHIP	100K 5% 1/10W
R299	1-216-049-00	METAL CHIP	1K 5% 1/10W	R349	1-216-097-00	METAL CHIP	100K 5% 1/10W
R300	1-216-077-00	METAL CHIP	15K 5% 1/10W	R350	1-216-049-00	METAL CHIP	1K 5% 1/10W
R301	1-216-017-00	METAL CHIP	47 5% 1/10W	R351	1-216-049-00	METAL CHIP	1K 5% 1/10W
R302	1-216-017-00	METAL CHIP	47 5% 1/10W	R352	1-216-037-00	METAL CHIP	330 5% 1/10W
R303	1-216-073-00	METAL CHIP	10K 5% 1/10W	R353	1-216-037-00	METAL CHIP	330 5% 1/10W
R304	1-216-073-00	METAL CHIP	10K 5% 1/10W	R354	1-216-029-00	METAL CHIP	150 5% 1/10W
R305	1-216-053-00	METAL CHIP	1.5K 5% 1/10W	R355	1-216-037-00	METAL CHIP	330 5% 1/10W
R306	1-216-049-00	METAL CHIP	1K 5% 1/10W	R356	1-216-089-00	METAL CHIP	47K 5% 1/10W
R307	1-216-073-00	METAL CHIP	10K 5% 1/10W	R357	1-216-073-00	METAL CHIP	10K 5% 1/10W
R308	1-216-073-00	METAL CHIP	10K 5% 1/10W	R358	1-216-073-00	METAL CHIP	10K 5% 1/10W
R309	1-216-073-00	METAL CHIP	10K 5% 1/10W	R360	1-216-073-00	METAL CHIP	10K 5% 1/10W
R312	1-216-073-00	METAL CHIP	10K 5% 1/10W (AEP, UK)	R361	1-216-073-00	METAL CHIP	10K 5% 1/10W
R313	1-216-097-00	METAL CHIP	100K 5% 1/10W	R362	1-216-037-00	METAL CHIP	330 5% 1/10W
R314	1-216-073-00	METAL CHIP	10K 5% 1/10W (G, IT)	R363	1-216-031-00	METAL CHIP	180 5% 1/10W
R315	1-216-097-00	METAL CHIP	100K 5% 1/10W	R364	1-216-097-00	METAL CHIP	100K 5% 1/10W
R316	1-216-073-00	METAL CHIP	10K 5% 1/10W	R365	1-216-081-00	METAL CHIP	22K 5% 1/10W
				R366	1-216-089-00	METAL CHIP	47K 5% 1/10W
				R367	1-216-089-00	METAL CHIP	47K 5% 1/10W

MAIN

PANEL

JACK

PIN JACK

VR

POWER

Ref. No.	Part No.	Description	Remark
R368	1-216-081-00	METAL CHIP 22K 5%	1/10W
R369	1-216-049-00	METAL CHIP 1K 5%	1/10W
R370	1-216-049-00	METAL CHIP 1K 5%	1/10W
R371	1-216-049-00	METAL CHIP 1K 5%	1/10W
R372	1-216-065-00	METAL CHIP 4.7K 5%	1/10W
R373	1-216-065-00	METAL CHIP 4.7K 5%	1/10W
R374	1-216-079-00	METAL CHIP 18K 5%	1/10W
R375	1-216-017-00	METAL CHIP 47 5%	1/10W
R376	1-216-073-00	METAL CHIP 10K 5%	1/10W
R381	1-216-049-00	METAL CHIP 1K 5%	1/10W
R382	1-216-065-00	METAL CHIP 4.7K 5%	1/10W
R383	1-216-065-00	METAL CHIP 4.7K 5%	1/10W
R384	1-216-079-00	METAL CHIP 18K 5%	1/10W
R385	1-216-017-00	METAL CHIP 47 5%	1/10W
R386	1-216-073-00	METAL CHIP 10K 5%	1/10W
R391	1-216-073-00	METAL CHIP 10K 5%	1/10W
R392	1-216-097-00	METAL CHIP 100K 5%	1/10W
R393	1-216-121-00	METAL CHIP 1M 5%	1/10W
R395	1-216-035-00	METAL CHIP 270 5%	1/10W
R396	1-216-065-00	METAL CHIP 4.7K 5%	1/10W
R397	1-216-037-00	METAL CHIP 330 5%	1/10W
R1001	1-216-049-00	METAL CHIP 1K 5%	1/10W
R1051	1-216-049-00	METAL CHIP 1K 5%	1/10W
R2201	1-216-073-00	METAL CHIP 10K 5%	1/10W
R2202	1-216-065-00	METAL CHIP 4.7K 5%	1/10W
R2203	1-216-065-00	METAL CHIP 4.7K 5%	1/10W
R2204	1-216-115-00	METAL CHIP 560K 5%	1/10W
R2205	1-216-049-00	METAL CHIP 1K 5%	1/10W
R2206	1-216-037-00	METAL CHIP 330 5%	1/10W
R2251	1-216-073-00	METAL CHIP 10K 5%	1/10W
R2252	1-216-065-00	METAL CHIP 4.7K 5%	1/10W
R2253	1-216-065-00	METAL CHIP 4.7K 5%	1/10W
R2254	1-216-115-00	METAL CHIP 560K 5%	1/10W
R2255	1-216-049-00	METAL CHIP 1K 5%	1/10W
R2256	1-216-057-00	METAL CHIP 2.2K 5%	1/10W
R3307	1-216-049-00	METAL CHIP 1K 5%	1/10W
R3308	1-216-049-00	METAL CHIP 1K 5%	1/10W
R3310	1-216-049-00	METAL CHIP 1K 5%	1/10W
R3371	1-216-025-00	METAL CHIP 100 5%	1/10W
R3381	1-216-025-00	METAL CHIP 100 5%	1/10W
< VARIABLE RESISTOR >			
RV361	1-241-140-11	RES. VAR. CARBON 10K (MIC LEVEL)	
RV395	1-241-418-11	RES. VAR. CARBON 10K (VOLUME)	
< SWITCH >			
S311	1-572-184-11	SWITCH, KEYBOARD (FUNCTION)	
S312	1-572-184-11	SWITCH, KEYBOARD (RESET)	

Ref. No.	Part No.	Description	Remark
S313	1-572-184-11	SWITCH, KEYBOARD (EQ ON/OFF)	
S314	1-572-184-11	SWITCH, KEYBOARD (SURROUND)	
S315	1-572-184-11	SWITCH, KEYBOARD (DBFB)	
S316	1-572-184-11	SWITCH, KEYBOARD (WAKE UP)	
S317	1-572-184-11	SWITCH, KEYBOARD (OPEN/CLOSE)	
S318	1-572-184-11	SWITCH, KEYBOARD (■)	
S319	1-572-184-11	SWITCH, KEYBOARD (▷ ■■)	
S320	1-572-184-11	SWITCH, KEYBOARD (▶▶ ▷▷)	
S321	1-572-184-11	SWITCH, KEYBOARD (◀◀ ◀◀)	
S322	1-572-184-11	SWITCH, KEYBOARD (EDIT/TIME FADE)	
S323	1-572-184-11	SWITCH, KEYBOARD (NEXT/MEMORY)	
S324	1-572-184-11	SWITCH, KEYBOARD (TIMER SET)	
S325	1-572-184-11	SWITCH, KEYBOARD (CONTINUE)	
S326	1-572-184-11	SWITCH, KEYBOARD (SHUFFLE)	
S327	1-572-184-11	SWITCH, KEYBOARD (PROGRAM)	
S328	1-572-184-11	SWITCH, KEYBOARD (CHECK)	
S329	1-572-184-11	SWITCH, KEYBOARD (SYSTEM POWER ON/OFF)	
S330	1-572-184-11	SWITCH, KEYBOARD (RESET/TUNING)	
S331	1-572-184-11	SWITCH, KEYBOARD (+)	
S332	1-572-184-11	SWITCH, KEYBOARD (BAND)	
S333	1-572-184-11	SWITCH, KEYBOARD (-)	
S334	1-572-184-11	SWITCH, KEYBOARD (CLOCK SET)	
S335	1-572-184-11	SWITCH, KEYBOARD (TIMER SET)	
S336	1-572-184-11	SWITCH, KEYBOARD (RESET)	
< TERMINAL BOARD >			
TB101	* 1-537-138-31	TERMINAL BOARD (ANT)	
< CLAMP >			
TP105	* 3-683-631-01	CLAMP	
< CRYSTAL >			
X301	1-527-997-21	VIBRATOR, CRYSTAL	
X302	Y 1-577-364-11	VIBRATOR, CERAMIC 12MHz	

* A-4341-652-A POWER BOARD, COMPLETE (AEP. IT)			
* A-4341-661-A POWER BOARD, COMPLETE (G)			
* A-4341-653-A POWER BOARD, COMPLETE (UK)			

* 1-533-213-31 HOLDER, FUSE			
< CAPACITOR >			
C801	1-124-907-11	ELECT 10uF 20%	50V
C802	1-162-294-31	CERAMIC 0.001uF 10%	50V
C803	1-126-233-11	ELECT 22uF 20%	50V (AEP, UK)

POWER

Ref. No.	Part No.	Description	Remark
C804	1-164-159-11	CERAMIC 0.1uF	50V
C805	1-164-159-11	CERAMIC 0.1uF	50V
C806	1-102-114-00	CERAMIC 470PF 10%	50V (G, IT)
C807	1-164-159-11	CERAMIC 0.1uF	50V (G, IT)
C851	1-124-907-11	ELECT 10uF 20%	50V
C852	1-162-294-31	CERAMIC 0.001uF 10%	50V (AEP, UK)
C853	1-126-233-11	ELECT 22uF 20%	50V
C854	1-164-159-11	CERAMIC 0.1uF	50V
C855	1-164-159-11	CERAMIC 0.1uF	50V
C856	1-102-114-00	CERAMIC 470PF 10%	50V (G, IT)
C857	1-164-159-11	CERAMIC 0.1uF	50V (G, IT)
C873	1-126-233-11	ELECT 22uF 20%	50V
C874	1-124-910-11	ELECT 47uF 20%	50V
C875	1-124-907-11	ELECT 10uF 20%	50V
C876	1-124-907-11	ELECT 10uF 20%	50V
C877	1-124-907-11	ELECT 10uF 20%	50V
C878	1-124-910-11	ELECT 47uF 20%	50V
C879	1-124-910-11	ELECT 47uF 20%	50V
C880	1-124-910-11	ELECT 47uF 20%	50V
C901	1-124-618-11	ELECT 2200uF 20%	35V
C902	1-124-618-11	ELECT 2200uF 20%	35V
C903	1-136-850-11	FILM 0.1uF 10%	63V
C904	1-136-850-11	FILM 0.1uF 10%	63V
C905	1-164-159-11	CERAMIC 0.1uF	50V
C906	1-164-159-11	CERAMIC 0.1uF	50V
C8002	1-162-294-31	CERAMIC 0.001uF 10%	50V (G, IT)
C8030	1-164-159-11	CERAMIC 0.1uF	50V
C9001	1-136-850-11	FILM 0.1uF 10%	63V
C9002	1-101-004-00	CERAMIC 0.01uF 10%	50V (G, IT)
< BREAKER >			
CB801	1-532-564-00	BREAKER, CIRCUIT 2.2A	
CB851	1-532-564-00	BREAKER, CIRCUIT 2.2A	
< CONNECTOR >			
CN801	* 1-564-706-11	PIN, CONNECTOR (SMALL TYPE) 4P	
CN901	△ 1-526-931-11	INLET, AC	
< DIODE >			
D801	8-719-912-20	DIODE 1SS120	
D909	8-719-312-09	DIODE RBA-402	

Ref. No.	Part No.	Description	Remark
< IC >			
IC801	8-749-920-13	IC STK4132MK2	
< IC LINK >			
ICP951	△ 1-532-846-21	LINK, IC	
ICP952	△ 1-532-846-21	LINK, IC	
< COIL >			
L901	△ 1-410-397-21	FERRITE BEED INDUCTOR (G, IT)	
< TRANSISTOR >			
Q801	8-729-900-80	TRANSISTOR DTC114ES	
< RESISTOR >			
R801	1-249-417-11	CARBON 1K 5% 1/4W	
R802	1-249-438-11	CARBON 56K 5% 1/4W	
R803	1-249-418-11	CARBON 1.2K 5% 1/4W	
R804	1-249-438-11	CARBON 56K 5% 1/4W	
R805	1-249-389-11	CARBON 4.7 5% 1/4W	
R807	1-249-389-11	CARBON 4.7 5% 1/4W (G, IT)	
R851	1-249-417-11	CARBON 1K 5% 1/4W	
R852	1-249-438-11	CARBON 56K 5% 1/4W	
R853	1-249-418-11	CARBON 1.2K 5% 1/4W	
R854	1-249-438-11	CARBON 56K 5% 1/4W	
R855	1-249-389-11	CARBON 4.7 5% 1/4W	
R856	1-249-417-11	CARBON 1K 5% 1/4W	
R857	1-249-389-11	CARBON 4.7 5% 1/4W (G, IT)	
R871	1-249-440-11	CARBON 82K 5% 1/4W	
R872	1-249-437-11	CARBON 47K 5% 1/4W	
R873	1-249-429-11	CARBON 10K 5% 1/4W	
R874	1-247-883-00	CARBON 150K 5% 1/4W	
R875	1-249-421-11	CARBON 2.2K 5% 1/4W	
R876	1-249-421-11	CARBON 2.2K 5% 1/4W	
R877	△ 1-212-881-11	FUSIBLE 100 5% 1/4W F	
R878	1-249-417-11	CARBON 1K 5% 1/4W	
R879	1-249-417-11	CARBON 1K 5% 1/4W	
R880	△ 1-212-881-11	FUSIBLE 100 5% 1/4W F	
R881	1-249-421-11	CARBON 2.2K 5% 1/4W	
R882	1-249-421-11	CARBON 2.2K 5% 1/4W	
R883	△ 1-212-881-11	FUSIBLE 100 5% 1/4W F	
R902	△ 1-212-942-00	FUSIBLE 2.2 5% 1/2W F	
R8001	1-249-438-11	CARBON 56K 5% 1/4W	
R8501	1-249-438-11	CARBON 56K 5% 1/4W	
R9001	△ 1-212-942-00	FUSIBLE 2.2 5% 1/2W F	

Note: The components identified by mark △ or dotted line with mark △ are critical for safety. Replace only with part number specified.

POWER TCB011

Ref. No.	Part No.	Description	Quantity	Power	Remark
R9002	△ 1-212-881-11	FUSIBLE	100	5%	1/4W F
< TERMINAL BOARD >					
TB801	* 1-537-240-21	TERMINAL BOARD (CHECKER PIN) (AEP, IT, UK)			
TB801	* 1-537-156-21	TERMINAL BOARD (SPEAKER) (G)			

* A-4303-343-A TCB011 BOARD, COMPLETE (AEP, UK)					
* A-4303-344-A TCB011 BOARD, COMPLETE (G, IT)					

< CAPACITOR >					
C1	1-124-120-11	ELECT	220uF	20%	25V
C2	1-164-232-11	CERAMIC CHIP	0.01uF		50V
C3	1-163-009-11	CERAMIC CHIP	0.001uF	10%	50V
C4	1-163-038-00	CERAMIC CHIP	0.1uF		25V (G, IT)
C5	1-164-232-11	CERAMIC CHIP	0.01uF		50V
C6	1-163-038-00	CERAMIC CHIP	0.1uF		25V
C7	1-163-038-00	CERAMIC CHIP	0.1uF		25V (G, IT)
C8	1-164-232-11	CERAMIC CHIP	0.01uF		50V
C9	1-163-012-00	CERAMIC CHIP	0.0018uF		50V
C10	1-163-011-11	CERAMIC CHIP	0.0015uF	10%	50V
C21	1-163-103-00	CERAMIC CHIP	27PF	5%	50V
C22	1-163-103-00	CERAMIC CHIP	27PF	5%	50V
C23	1-164-232-11	CERAMIC CHIP	0.01uF		50V
C24	1-164-232-11	CERAMIC CHIP	0.01uF		50V
C25	1-164-232-11	CERAMIC CHIP	0.01uF		50V
C26	1-164-346-11	CERAMIC CHIP	1.0uF		16V
C27	1-164-505-11	CERAMIC CHIP	2.2uF		16V
C29	1-164-232-11	CERAMIC CHIP	0.01uF		50V
C31	1-164-505-11	CERAMIC CHIP	2.2uF		16V
C32	1-164-232-11	CERAMIC CHIP	0.01uF		50V
C33	1-163-038-00	CERAMIC CHIP	0.1uF		25V
C34	1-164-005-11	CERAMIC CHIP	0.47uF		25V
C35	1-163-033-00	CERAMIC CHIP	0.022uF		50V
C36	1-163-033-00	CERAMIC CHIP	0.022uF		50V
C51	1-164-232-11	CERAMIC CHIP	0.01uF		50V
C52	1-164-505-11	CERAMIC CHIP	2.2uF		16V
C53	1-164-232-11	CERAMIC CHIP	0.01uF		50V
C54	1-164-232-11	CERAMIC CHIP	0.01uF		50V
C55	1-163-105-00	CERAMIC CHIP	33PF	5%	50V (AEP, UK)
C55	1-163-135-00	CERAMIC CHIP	560PF	5%	50V (G, IT)
C56	1-163-117-00	CERAMIC CHIP	100PF	5%	50V (G, IT)
C57	1-164-346-11	CERAMIC CHIP	1.0uF		16V

Ref. No.	Part No.	Description	Quantity	Power	Remark
C58	1-164-346-11	CERAMIC CHIP	1.0uF		16V
C59	1-164-346-11	CERAMIC CHIP	1.0uF		16V
C60	1-163-038-00	CERAMIC CHIP	0.1uF		25V
C61	1-163-022-00	CERAMIC CHIP	0.012uF	10%	50V
C62	1-163-022-00	CERAMIC CHIP	0.012uF	10%	50V
C63	1-164-346-11	CERAMIC CHIP	1.0uF		16V
C64	1-164-346-11	CERAMIC CHIP	1.0uF		16V
C65	1-164-346-11	CERAMIC CHIP	1.0uF		16V
C66	1-164-346-11	CERAMIC CHIP	1.0uF		16V
C69	1-164-232-11	CERAMIC CHIP	0.01uF		50V
C70	1-164-232-11	CERAMIC CHIP	0.01uF		50V
C71	1-164-232-11	CERAMIC CHIP	0.01uF		50V
C72	1-124-120-11	ELECT	220uF	20%	25V
C73	1-164-505-11	CERAMIC CHIP	2.2uF		16V
C74	1-164-232-11	CERAMIC CHIP	0.01uF		50V
C75	1-126-157-11	ELECT	10uF	20%	16V
C76	1-126-101-11	ELECT	100uF	20%	16V
C79	1-126-157-11	ELECT	10uF	20%	16V
C80	1-124-472-11	ELECT	470uF	20%	10V
C81	1-164-232-11	CERAMIC CHIP	0.01uF		50V
C82	1-164-232-11	CERAMIC CHIP	0.01uF		50V
C83	1-164-232-11	CERAMIC CHIP	0.01uF		50V (G, IT)
< FILTER >					
CF1	1-567-389-11	FILTER, CERAMIC			
CF2	1-567-389-11	FILTER, CERAMIC (G, IT)			
CF51	1-567-389-11	FILTER, CERAMIC			
< CONNECTOR >					
CN1	1-573-105-11	CONNECTOR, PC BOARD (RECEPTACLE)			
CN2	1-573-105-11	CONNECTOR, PC BOARD (RECEPTACLE)			
CN3	1-573-105-11	CONNECTOR, PC BOARD (RECEPTACLE)			
CN4	1-573-105-11	CONNECTOR, PC BOARD (RECEPTACLE)			
CN5	1-573-105-11	CONNECTOR, PC BOARD (RECEPTACLE)			
< DIODE >					
D21	8-719-977-03	DIODE DTZ5.6B			
D51	8-719-988-62	DIODE 1SS355			
< FRONT END >					
FE1	1-463-957-11	FRONT END (FM 4 GANG) (G, IT)			
FE1	1-465-673-11	FRONT END (2 BAND) (AEP, UK)			
FE2	1-239-030-11	ENCAPSULATED COMPONENT (MW)			
FE3	1-239-049-11	ENCAPSULATED COMPONENT (LW)			

Note: The components identified by mark △ or dotted line with mark △ are critical for safety. Replace only with part number specified.

Ref. No.	Part No.	Description	Remark	Ref. No.	Part No.	Description	Remark
		< FILTER >					
FL51	1-239-029-11	ENCAPSULATED COMPONENT (G. IT)		R2	1-216-037-00	METAL CHIP 330 5%	1/10W
		< IC >		R3	1-216-109-00	METAL CHIP 330K 5%	1/10W
IC21	8-759-821-43	IC LC7218M-TP		R4	1-216-037-00	METAL CHIP 330 5%	1/10W
IC51	8-759-823-68	IC LA1851NM-TP1		R5	1-216-109-00	METAL CHIP 330K 5%	1/10W (G. IT)
		< TRANSFORMER >		R6	1-216-037-00	METAL CHIP 330 5%	1/10W (G. IT)
IFT51	1-404-954-11	TRANSFORMER, DISCRIMINATOR		R7	1-216-025-00	METAL CHIP 100 5%	1/10W
IFT52	1-404-713-11	TRANSFORMER, IF		R8	1-216-057-00	METAL CHIP 2.2K 5%	1/10W
		< CHIP JUMPER >		R9	1-216-089-00	METAL CHIP 47K 5%	1/10W
JW1	1-216-295-00	METAL CHIP 0 5%	1/10W	R10	1-216-097-00	METAL CHIP 100K 5%	1/10W
JW2	1-216-295-00	METAL CHIP 0 5%	1/10W (AEP. UK)	R11	1-216-065-00	METAL CHIP 4.7K 5%	1/10W
JW4	1-216-295-00	METAL CHIP 0 5%	1/10W	R12	1-216-057-00	METAL CHIP 2.2K 5%	1/10W
JW5	1-216-295-00	METAL CHIP 0 5%	1/10W	R13	1-216-089-00	METAL CHIP 47K 5%	1/10W
JW7	1-216-295-00	METAL CHIP 0 5%	1/10W	R14	1-216-081-00	METAL CHIP 22K 5%	1/10W
		< COIL >		R15	1-216-121-00	METAL CHIP 1M 5%	1/10W
L1	1-408-793-21	INDUCTOR, CHIP 220uH		R16	1-216-089-00	METAL CHIP 47K 5%	1/10W (AEP. UK)
L51	1-408-798-00	CHIP INDUCTOR 1mH		R21	1-216-049-00	METAL CHIP 1K 5%	1/10W
		< LPF >		R22	1-216-049-00	METAL CHIP 1K 5%	1/10W
LPF51	1-235-221-00	FILTER, LOW PASS		R23	1-216-049-00	METAL CHIP 1K 5%	1/10W
		< TRANSISTOR >		R24	1-216-025-00	METAL CHIP 100 5%	1/10W
Q1	8-729-804-72	TRANSISTOR 2SC2814-F4		R25	1-216-065-00	METAL CHIP 4.7K 5%	1/10W
Q2	8-729-804-72	TRANSISTOR 2SC2814-F4 (G. IT)		R26	1-216-049-00	METAL CHIP 1K 5%	1/10W
Q3	8-729-810-16	TRANSISTOR 2SA1678		R27	1-216-073-00	METAL CHIP 10K 5%	1/10W
Q4	8-729-602-36	TRANSISTOR 2SA1602		R28	1-216-073-00	METAL CHIP 10K 5%	1/10W
Q5	8-729-810-28	TRANSISTOR 2SC4398		R29	1-216-025-00	METAL CHIP 100 5%	1/10W
Q6	8-729-602-36	TRANSISTOR 2SA1602		R30	1-216-061-00	METAL CHIP 3.3K 5%	1/10W
Q7	8-729-810-28	TRANSISTOR 2SC4398		R31	1-216-043-00	METAL CHIP 560 5%	1/10W
Q21	8-729-602-21	TRANSISTOR 2SC4154-F		R32	1-216-049-00	METAL CHIP 1K 5%	1/10W
Q22	8-729-232-71	TRANSISTOR 2SK208GR3		R33	1-216-035-00	METAL CHIP 270 5%	1/10W
Q23	8-729-232-59	TRANSISTOR 2SC4666B		R34	1-216-065-00	METAL CHIP 4.7K 5%	1/10W
Q24	8-729-232-71	TRANSISTOR 2SK208GR3		R35	1-216-057-00	METAL CHIP 2.2K 5%	1/10W
Q25	8-729-232-59	TRANSISTOR 2SC4666B		R36	1-216-065-00	METAL CHIP 4.7K 5%	1/10W
Q51	8-729-602-21	TRANSISTOR 2SC4154-F		R37	1-216-065-00	METAL CHIP 4.7K 5%	1/10W
Q52	8-729-602-21	TRANSISTOR 2SC4154-F		R38	1-216-025-00	METAL CHIP 100 5%	1/10W
Q53	8-729-810-28	TRANSISTOR 2SC4398		R39	1-216-061-00	METAL CHIP 3.3K 5%	1/10W
		< RESISTOR >		R40	1-216-043-00	METAL CHIP 560 5%	1/10W
R1	1-216-037-00	METAL CHIP 330 5%	1/10W	R41	1-216-049-00	METAL CHIP 1K 5%	1/10W
				R42	1-216-035-00	METAL CHIP 270 5%	1/10W
				R43	1-216-081-00	METAL CHIP 22K 5%	1/10W
				R44	1-216-057-00	METAL CHIP 2.2K 5%	1/10W
				R45	1-216-065-00	METAL CHIP 4.7K 5%	1/10W
				R46	1-216-065-00	METAL CHIP 4.7K 5%	1/10W
				R51	1-216-049-00	METAL CHIP 1K 5%	1/10W
				R52	1-216-081-00	METAL CHIP 22K 5%	1/10W
				R53	1-216-085-00	METAL CHIP 33K 5%	1/10W
				R54	1-216-071-00	METAL CHIP 8.2K 5%	1/10W

Ref. No.	Part No.	Description	Remark
R55	1-216-075-00	METAL CHIP	12K 5% 1/10W (AEP, UK)
R56	1-216-075-00	METAL CHIP	12K 5% 1/10W (G. IT)
R57	1-216-073-00	METAL CHIP	10K 5% 1/10W
R58	1-216-066-00	METAL CHIP	5. 1K 5% 1/10W
R59	1-216-065-00	METAL CHIP	4. 7K 5% 1/10W
R60	1-216-065-00	METAL CHIP	4. 7K 5% 1/10W
R61	1-216-115-00	METAL CHIP	560K 5% 1/10W
R62	1-216-115-00	METAL CHIP	560K 5% 1/10W
R63	1-216-049-00	METAL CHIP	1K 5% 1/10W
R64	1-216-049-00	METAL CHIP	1K 5% 1/10W
R65	1-216-073-00	METAL CHIP	10K 5% 1/10W
R66	1-216-073-00	METAL CHIP	10K 5% 1/10W
R67	1-216-057-00	METAL CHIP	2. 2K 5% 1/10W
R68	1-216-057-00	METAL CHIP	2. 2K 5% 1/10W
R69	1-216-025-00	METAL CHIP	100 5% 1/10W
R70	1-216-025-00	METAL CHIP	100 5% 1/10W
R71	1-216-089-00	METAL CHIP	47K 5% 1/10W
R72	1-216-073-00	METAL CHIP	10K 5% 1/10W
R73	1-216-073-00	METAL CHIP	10K 5% 1/10W
R74	1-216-013-00	METAL CHIP	33 5% 1/10W
R75	1-216-061-00	METAL CHIP	3. 3K 5% 1/10W
R79	1-216-049-00	METAL CHIP	1K 5% 1/10W (AEP, UK)
R79	1-216-055-00	METAL CHIP	1. 8K 5% 1/10W (G. IT)
< VARIABLE RESISTOR >			
RV51	1-238-601-11	RES. ADJ. CARBON 22K	
RV52	1-238-601-11	RES. ADJ. CARBON 22K	
< CONNECTOR >			
TP51	* 1-564-336-00	PIN, CONNECTOR 2P	(AEP, UK)
TP51	* 1-568-449-11	HOUSING, CONNECTOR (PC BOARD) 3P	(G. IT)
< CRYSTAL >			
X21	1-577-126-11	VIBRATOR, CRYSTAL	
X51	1-577-075-11	OSCILLATOR, CERAMIC 456kHz	

Note: The components identified by mark Δ or dotted line with mark Δ are critical for safety.
Replace only with part number specified.

Ref. No.	Part No.	Description	Remark
MISCELLANEOUS *****			
5	1-590-907-11	WIRE, FLAT TYPE (20 CORE)	
6	1-590-908-11	WIRE, FLAT TYPE (20 CORE)	
52	1-590-906-11	WIRE, FLAT TYPE (19 CORE)	
59	1-690-035-11	WIRE, FLAT TYPE (19 CORE)	
120	1-590-530-11	WIRE, FLAT TYPE	
156	Δ 8-848-144-11	DEVICE, OPTICAL KSS-240A	
157	1-575-001-11	WIRE, FLAT TYPE (12 CORE)	
F901	Δ 1-532-078-00	FUSE, TIME-LAG T1A	
M101	X-4917-523-3	MOTOR ASSY (SPINDLE)	
M102	X-4917-504-1	MOTOR ASSY (SLED)	
M291	A-4608-362-A	MOTOR (L) ASSY	
T1	Δ 1-450-412-11	TRANSFORMER, POWER	

HARDWARE LIST

# 1	7-621-255-25	SCREW +PTT 2X4 (S)
# 2	7-685-646-79	SCREW +BVTP 3X8 TYPE2 N-S
# 3	7-685-647-79	SCREW +BVTP 3X10 TYPE2 N-S
# 4	7-682-547-04	SCREW +BVTT 3X6 (S)
# 5	7-685-650-79	SCREW +BVTP 3X16 TYPE2 IT-3
# 6	7-685-659-79	SCREW +BVTP 4X8 TYPE2 IT-3
# 7	7-685-234-19	SCREW +KTP 2. 6X8 TYPE2NON-SLIT
# 8	7-685-646-79	SCREW +BVTP 3X8 TYPE2 N-S
# 9	7-621-775-10	SCREW +B 2. 6X4
# 10	7-624-105-04	STOP RING 2. 3. TYPE -E
# 11	7-685-134-19	SCREW +BTP 2. 6X8 TYPE2 N-S
# 12	7-621-255-15	SCREW +P 2X3
# 13	7-682-947-01	SCREW +PSW 3X6 (FORMER TYPE)
# 14	7-682-547-09	SCREW +B 3X6 (FORMER TYPE)
# 15	7-685-872-01	SCREW +BVTT 3X8