

# SERVICE MANUAL

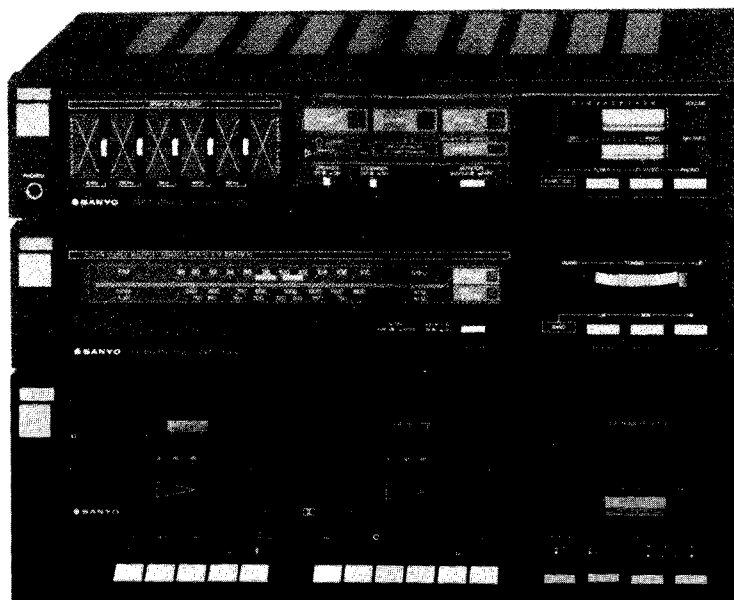
## CASSETTE DECK



# SANYO

## RD W266

EUROPE/U.K./CANADA/GENERAL (BLACK)  
AUSTRALIA (SILVER)



### SPECIFICATIONS

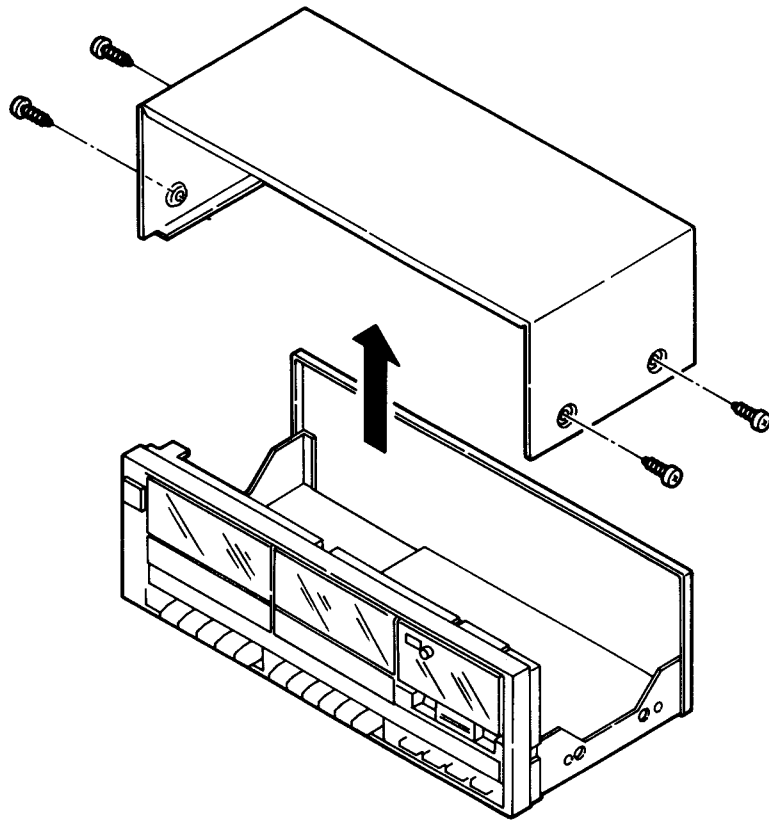
Tape . . . . .	Metal, CrO <sub>2</sub> , normal tape
Recording system . . . . .	AC bias, 4-track stereo
Erasing system . . . . .	AC erasing, 2-track
Tape speed . . . . .	1-7/8 i.p.s. (4.75 cm/sec)
Rewind and fast forward time . . . . .	Approx. 110 sec. (C-60)
Wow and flutter . . . . .	0.15% (WRMS)
Frequency response . . . . .	40 – 16,000 Hz (metal) 40 – 15,000 Hz (CrO <sub>2</sub> ) 40 – 13,000 Hz (normal)
Signal to noise ratio (metal tape) . . . . .	65 dB (Dolby NR on) 57 dB (Dolby NR off)
Power requirements . . . . .	DC: 12 V, 350 mA
Dimensions (W x D x H) . . . . .	Approx. 420 x 200 x 135 mm (16-1/2" x 7-7/8" x 5-5/16")
Weight . . . . .	Approx. 3.0 kg (6 lbs. 10 ozs.)

Specifications subject to change without notice.

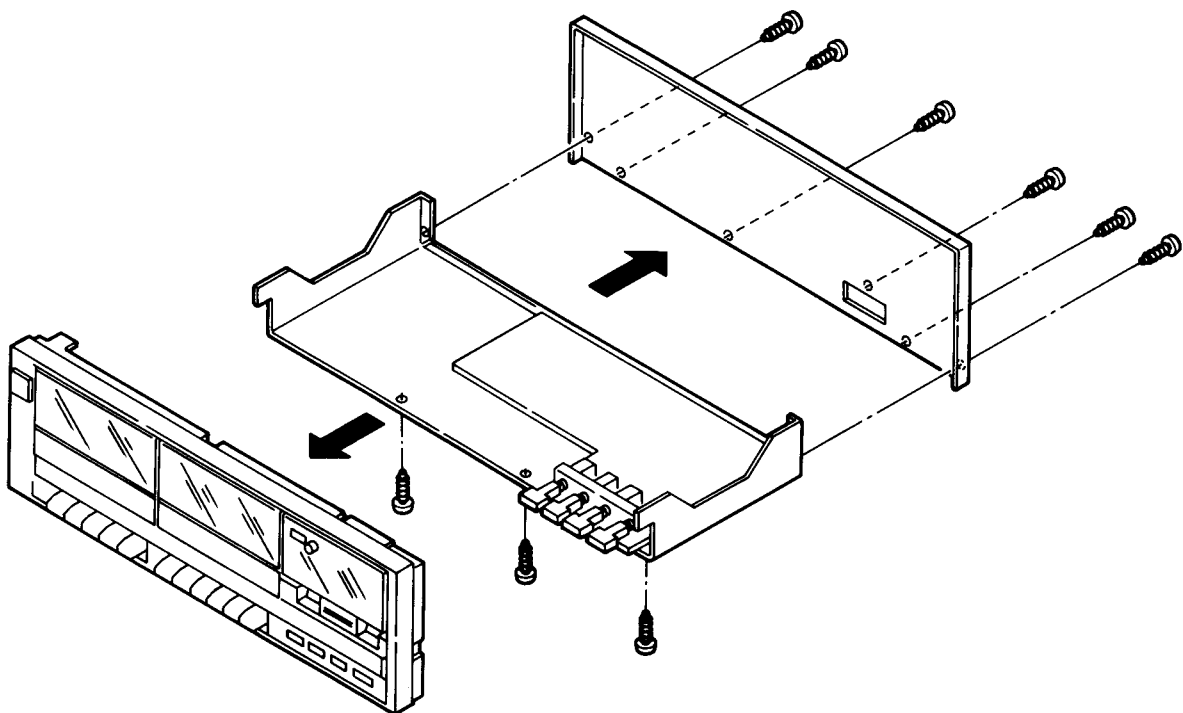
# DISASSEMBLY

---

## Cabinet Removal



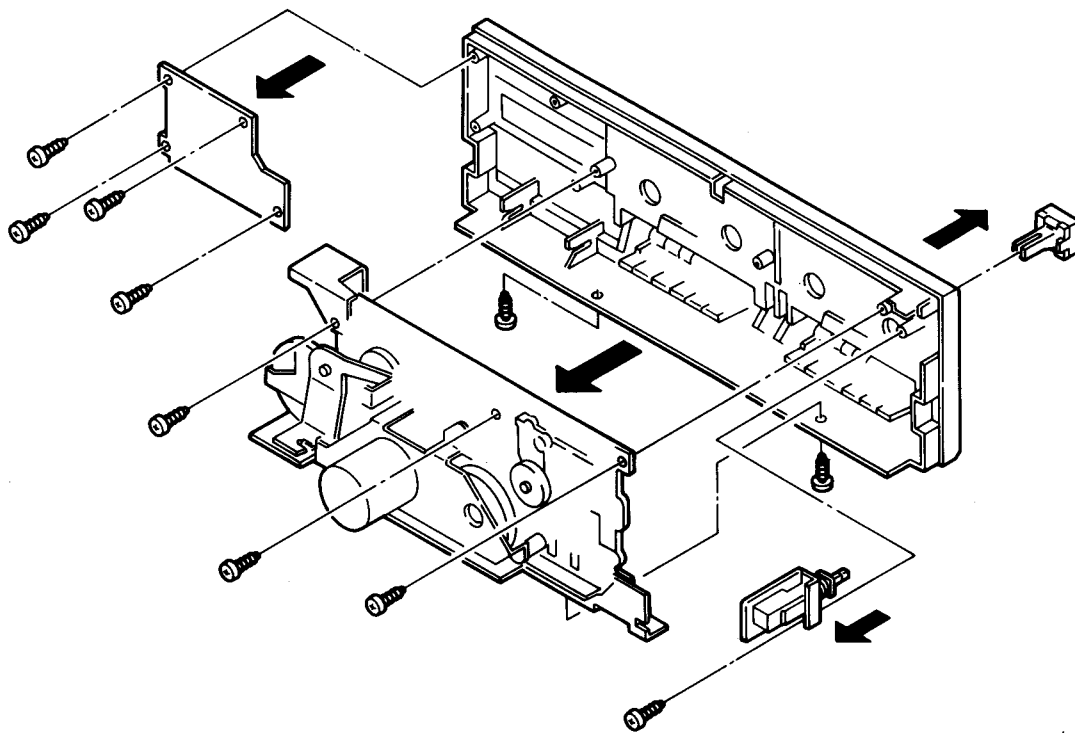
## Front Panel and Back Lid Removals



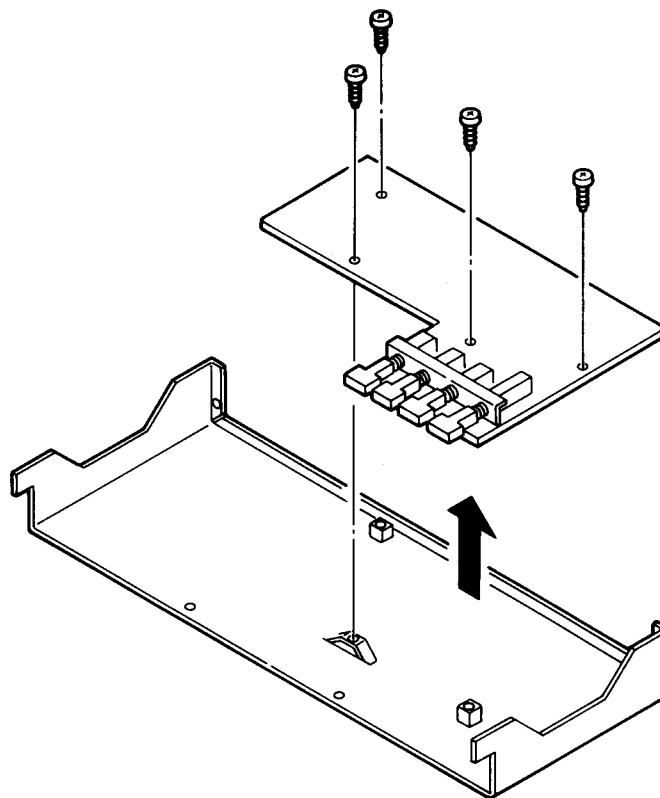
# DISASSEMBLY

---

## Mechanism and Volume PCB Removals

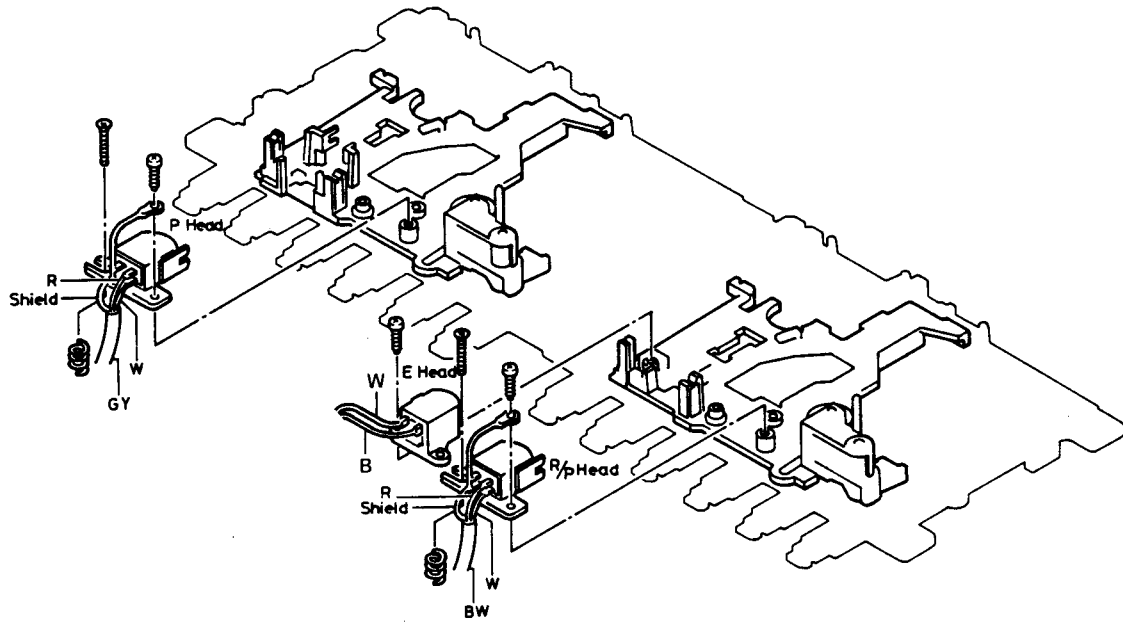


## Main PCB Removal



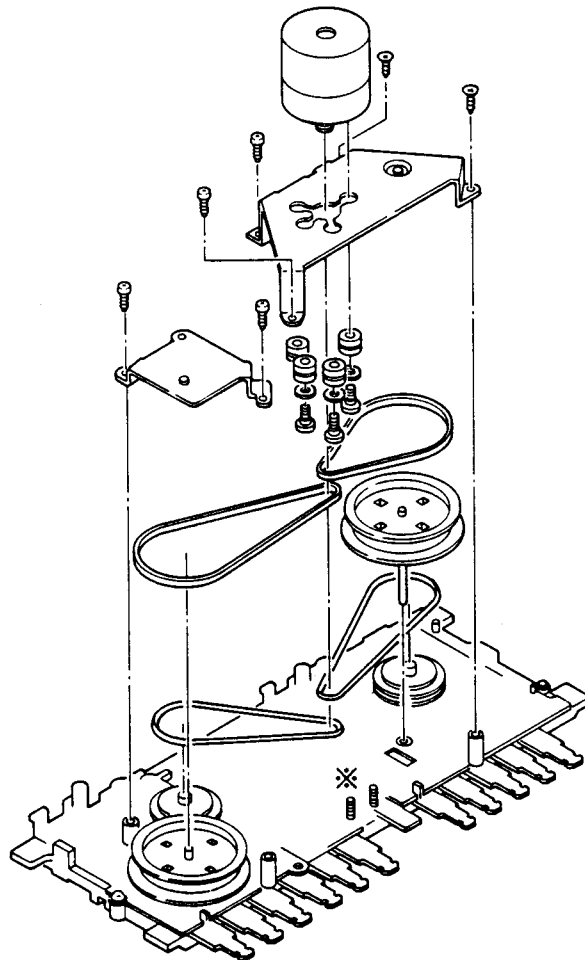
## HEAD REPLACEMENTS

---



## MOTOR AND BELT REPLACEMENTS

---



## MECHANISM ADJUSTMENTS

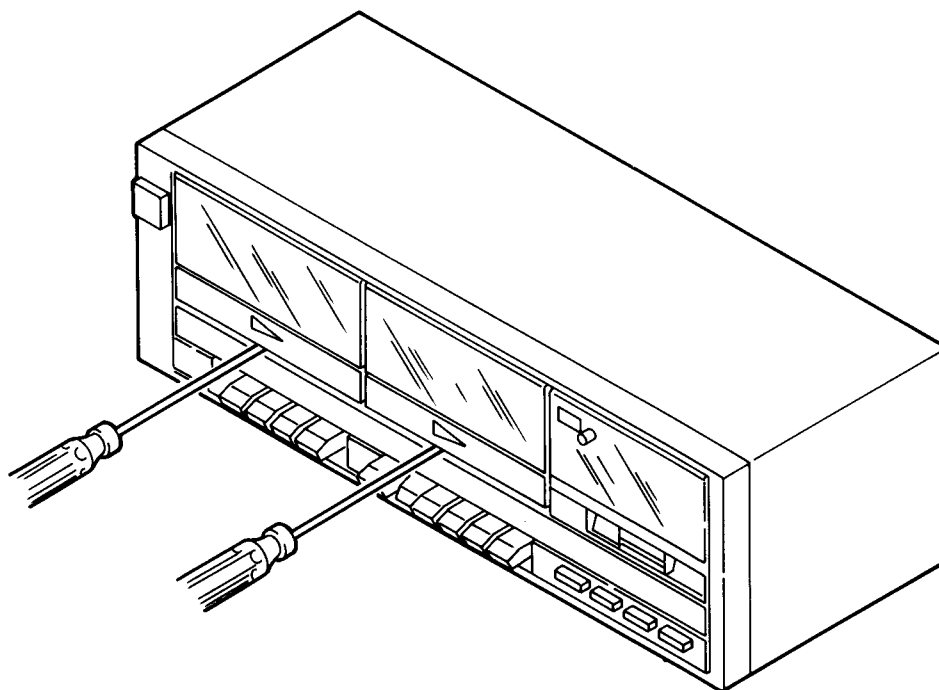
### Torque Measurement

Before measurements, clean the head, capstan and pinch roller.

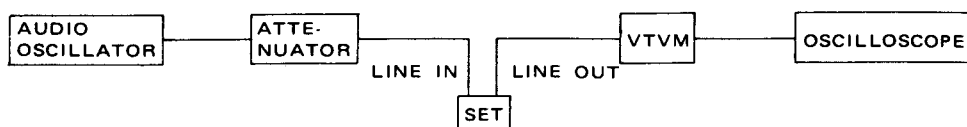
MEASUREMENT ITEM	TAKE-UP TORQUE	BACK TENSION	TAPE TENSION
MEASUREMENT CASSETTE	PLAY: TW-2111 F.FWD/REW: TW2231	PLAY/FWD: TW-2111 REW: TORQUE GAGE	DRIVE POWER CASSETTE TW-2412
PLAY	30 – 65 g·cm	3 – 5 g·cm	MORE THAN 150 g.
FAST FORWARD	60 – 100 g·cm	3 – 5 g·cm	PINCH ROLLER PRESSURE : MORE THAN 280 g.
REWIND	60 – 100 g·cm	3 – 5 g·cm	

### Head Azimuth Adjustment

Play the test tape (VTT-658 10 kHz) with TAPE A or B deck to be adjusted. Insert the philips screw driver into hole on the front panel. Turn the azimuth adjusting screw so that the outputs of the right and left channels become equal and maximum.



## ELECTRICAL ADJUSTMENTS



Before following adjustment, head cleaning is needed.

### A. Playback Level Adjustment

TAPE SELECT switches: NORMAL

DOLBY NR Switch: OFF

Test Tape: MTT-150

1. Playback the test tape with the TAPE A deck.
2. Adjust the SVR701 (Left Channel) and SVR801 (Right Channel) to obtain 0.56V output on VTVM.
3. Playback the test tape with the TAPE B deck.
4. Adjust the SVR702 (Left Channel) and SVR802 (Right Channel) to obtain 0.56V output on VTVM.

NOTE: When 0.56V output is obtained on VTVM, confirm that the +3VU LED is illuminating.

### B. Record Level Adjustment

TAPE SELECT Switches: CrO2

DOLBY NR Switch: OFF

Test Tape: AC-512

1. Insert the test tape into the TAPE B deck.
2. Press the PAUSE button and then press the RECORD button.
3. Apply 1kHz, 19dB input to the LINE IN jacks of the set.

4. Adjust the record monitor output to 0.36V with INPUT LEVEL control.
5. Release the PAUSE button and record the input signal.
6. Playback the recorded section and confirm that the output is 0.36V.
7. If not, adjust the SVR703 (Left Channel) and SVR803 (Right Channel) and then repeat the record/Playback until 0.36V output on playback is obtained.

### C. Record/Playback Frequency Response Adjustment

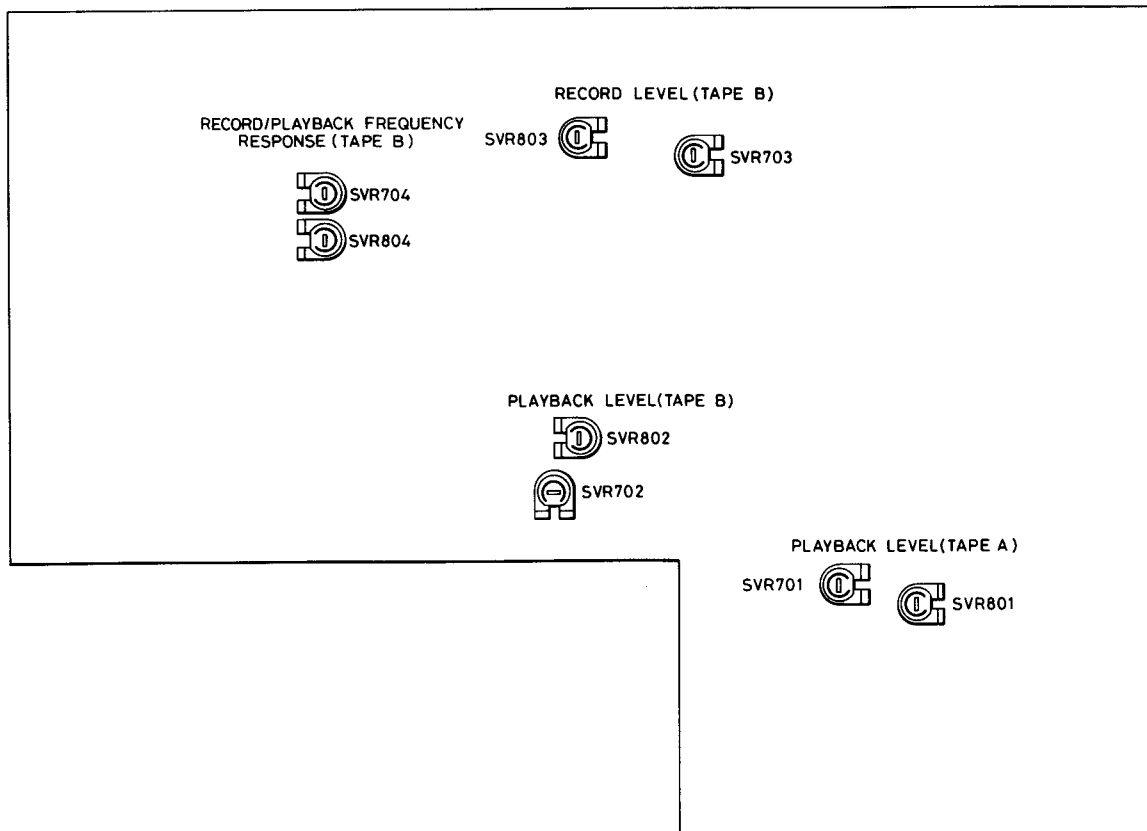
TAPE SELECT Switches: NORMAL

DOLBY NR Switch: OFF

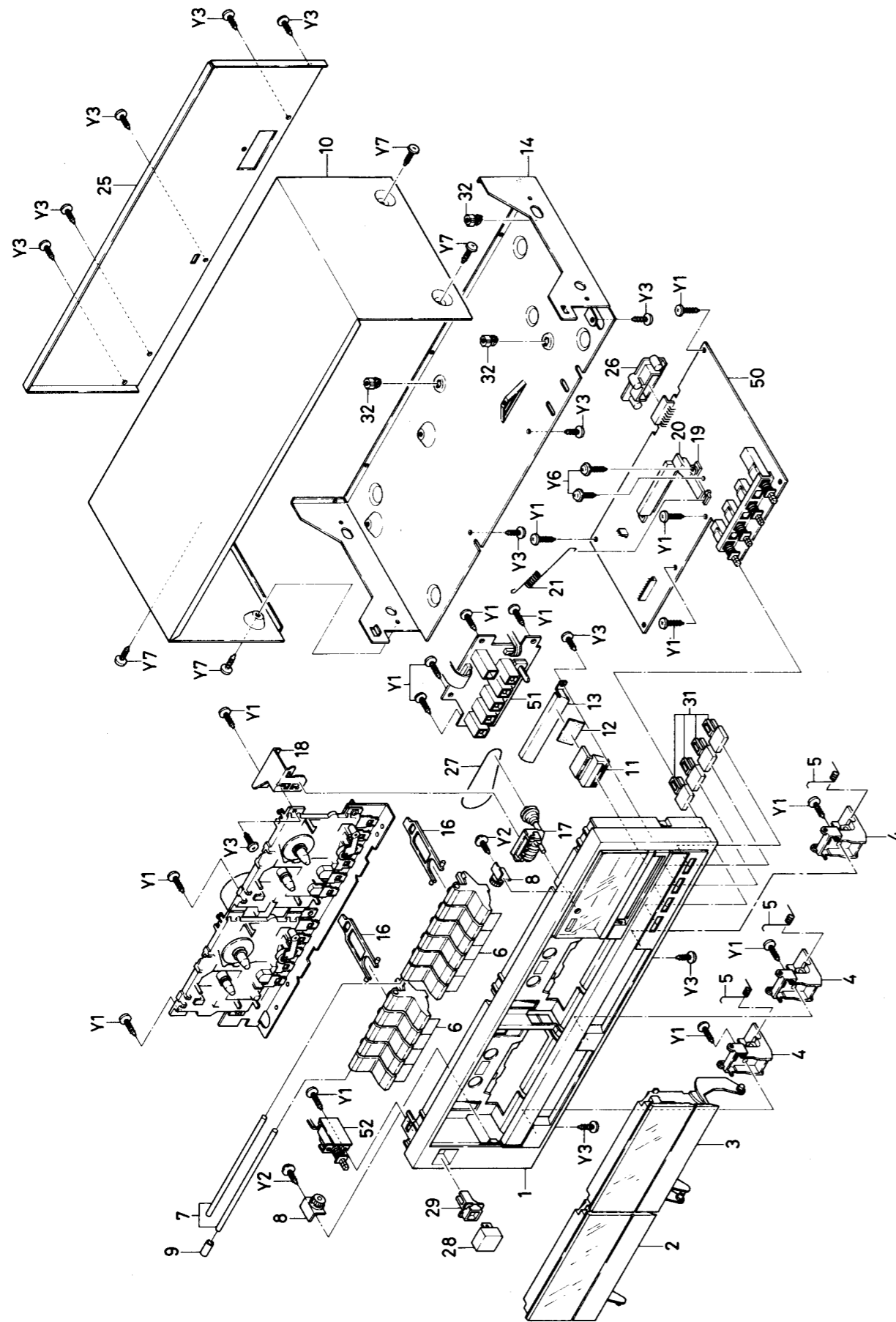
Test Tape: AC-223

1. Record the 1kHz and 10kHz 39dB input signal continuously.
2. Playback the recorded section and compare the output level of 10kHz with 1kHz. They should be same output levels.
3. If there is difference of output between 1kHz and 10kHz, adjust the SVR704 (Left Channel) and SVR804 (Right Channel), and then repeat the record/playback until same output level is obtained.

## PARTS LOCATION



CABINET & CHASSIS EXPLODED VIEW



PARTS LIST

NOTE:

\* Materials of Capacitors and Resistors are abbreviated as follows;

- AL ELECT ..... Aluminum Electrolytic
- BC CON ..... Semiconductor Ceramic
- CHIP BC ..... Chip Semiconductor Ceramic
- CHIP TAN ..... Chip Tantal
- ELECT ..... Electrolytic
- PP CON ..... Polypropylene
- MT GLAZE ..... Metal Glaze
- FP CARBON ..... Flameproof Carbon

\* Tolerance of Capacitors and Resistors are noted with follow symbols;

- J ..... ±5%
- K ..... ±10%
- M ..... ±20%
- N ..... ±30%
- P ..... +100-0%
- Q ..... +30-10%
- Z ..... +80-20%

PACKING & ACCESSORIES

Ref. No.	Part No.	Description
	141-6-145T-06100	FOAM PLASTIC CASE (AUSTRALIA/CANADA/U.K.)
	141-6-235T-40605	INNER POLYE LAMINA COVER
	141-6-235T-40601	INNER POLYE LAMINA COVER
	141-6-315T-05813	SLEEVE, SET (AUSTRALIA)
	141-6-479T-26600	LABEL, CSA (CANADA)
	123-6-472R-34800	CAUTION LABEL (U.K.)
	141-6-409T-23800	INST MANUAL (EUROPE)
	141-6-409T-23801	INST MANUAL (GENERAL)
	141-6-315T-05810	SLEEVE, SET (CANADA)
	141-6-315T-05812	SLEEVE, SET (U.K.)
	141-6-231T-20300	INNER POLYE COVER (GENERAL)
	141-6-144T-99800	FOAM PLASTIC CASE (EUROPE/GENERAL)
	141-6-133T-55511	INNER CARR CASE (EUROPE)
	141-6-133T-55513	INNER CARR CASE (GENERAL)

CABINET & CHASSIS

Ref. No.	Part No.	Description
1	141-0-122T-60400	FRONT PANEL ASSY (CANADA/GENERAL)
	141-0-122T-60401	FRONT PANEL ASSY (EUROPE)
	141-0-122T-60402	FRONT PANEL ASSY (U.K.)
	141-0-122T-60403	FRONT PANEL ASSY (AUSTRALIA)
2	141-0-224T-16800	BRACKET LID ASSY, CASSETTE (A) (AUSTRALIA/CANADA)
	141-0-224T-16802	BRACKET LID ASSY, CASSETTE (A) (EUROPE/GENERAL/U.K.)
3	141-0-224T-16801	BRACKET LID ASSY, CASSETTE (B) (EXCEPT CANADA)
	141-0-224T-16803	BRACKET LID ASSY, CASSETTE (B) (CANADA)
4	141-2-210T-58800	BRACKET, SHAFT
5	141-2-856T-38000	SPRING COIL, CASSETTE LID
6	141-2-611T-15500	PUSH BUTTON
7	141-2-754T-61500	SHAFT, CASSETTE LID
8	141-0-581T-32003	GEAR ASSY

Ref. No.	Part No.	Description
9	141-2-461T-41502	PIPE, SHAFT
10	141-2-111T-62400	CABINET (AUSTRALIA)
	141-2-111T-62440	CABINET (EXCEPT AUSTRALIA)
11	141-2-164T-40700	SLIDE KNOB, INPUT LEVEL
12	141-2-448T-13100	CUSHION, SLIDE KNOB
13	141-2-290T-12500	BRACKET, SLIDE KNOB
14	141-0-125T-34800	BOTTOM LID ASSY
16	141-2-365T-59300	BRACKET, STOP MUTE SWITCH
17	141-2-811T-15500	COUNTER
18	141-2-812T-15200	BRACKET, COUNTER
19	141-2-747T-24700	BRACKET, REC LEVER
20	141-2-742T-90000	LEVER, REC
21	141-2-860T-01200	SPRING WIRE, R/P SWITCH
25	141-2-119T-03801	BACK PANEL (EUROPE)
	141-2-119T-03802	BACK PANEL (CANADA)
	141-2-119T-03803	BACK PANEL (U.K.)
	141-2-119T-03804	BACK PANEL (AUSTRALIA)
	141-2-119T-03805	BACK PANEL (GENERAL)
26	141-2-210T-71000	BRACKET, CONNECTOR FIXING
27	141-2-564T-33500	SQUARE BELT, COJNTER
28	141-2-156T-37900	CUP KNOB, PUSHBUTTON
29	141-2-160T-60500	PUSH BUTTON, POWER
31	141-2-160T-60300	PUSH BUTTON, DOLBY NR/TAPE SELECT
32	141-2-210T-08900	BRACKET, MAIN PCB
Y1	BJB2S++310+Z1	S T BIND H 3X10Z1
Y2	BJX6S++3+8+Z1	S T WASHER H 3X8Z1
Y3	BJB2S++3+8+Z1	S T BIND H 3X8Z1
Y6	BJX6S++310+Z1	S T WASHER H 3X10Z1
Y7	BJB2S++3+8+N1	S T BIND H 3X8N1 (AUSTRALIA)
	BJB2S++3+8+ZK	S T BIND H 3X8ZK (EXCEPT AUSTRALIA)

ELECTRICAL PARTS

Ref. No.	Part No.	Description
	4-240T-47673	SOCKET, 3P
	4-240T-83575	SOCKET, 5P
	4-240T-83572	SOCKET, 2P
	4-240T-47676	SOCKET, 6P

## PARTS LIST

## MAIN PCB ASSY

Ref. No.	Part No.	Description	Ref. No.	Part No.	Description
50	141-4-285T-14071	P.C BOARD ASSY, MAIN	C507	CB+25472JRXRF	BC CON 0.0047MF 25V J R XR
	4-248T-02900	SWITCH, REC/PLAY	C508	CE+16106MR++F	ELECT 10MF 16V M Y
	4-248T-02000	SWITCH, TAPE A-B/DOLBY NR	C509	CB+25333JRXRF	BC CON 0.033MF 25V J R XR
	4-231T-65200	SWITCH, BEAT CANCEL	C510	CE+16106MR++F	ELECT 10MF 16V M R
	4-236T-24473	PLUG, 3P	C511	CE+16106MR++F	ELECT 10MF 16V M R
	4-236T-24479	PLUG, 9P	C551	CE+50225MR++F	ELECT 2.2MF 50V M R
	4-236T-24472	PLUG, 2P	C552	CE+16106MR++F	ELECT 10MF 16V M R
	4-236T-21076	PLUG, 8P	C553	CE+16106MR++F	ELECT 10MF 16V M R
	4-235T-76400	SOCKET	C554	CE+50104MR++F	ELECT 0.1MF 50V M R
	141-2-490T-12100	TUBE, R606/R904	C555	CE+50334MR++F	ELECT 0.33MF 50V M R
L501	4-255T-05140	MX COIL	C556	CB+25473JRXRF	BC CON 0.047MF 25V J R XR
L551	4-255T-05140	MX COIL	C557	CB+25472JRXRF	BC CON 0.0047MF 25V J R XR
L601	4-258T-51040	OSC COIL	C558	CE+16106MR++F	ELECT 10MF 16V M R
L701	4-252T-12921	CHOKO COIL	C559	CB+25333JRXRF	BC CON 0.033MF 25V J R XR
L702	4-255T-05740	MX COIL	C560	CE+16106MR++F	ELECT 10MF 16V M R
L801	4-252T-12921	CHOKO COIL	C561	CE+16106MR++F	ELECT 10MF 16V M R
L802	4-255T-05740	MX COIL	C601	CN100223JM++F	PP CON 0.022MF 100V J M
SVR701	4-222T-97575	SEMI-FIXED RESISTOR, 10K OHM	C602	CC+50151KRYBF	CERAMIC 150PF 50V K R YB
SVR702	4-222T-97575	SEMI-FIXED RESISTOR, 10K OHM	C603	CC+50471KRYBF	CERAMIC 470PF 50V K R YB
SVR703	4-222T-97576	SEMI-FIXED RESISTOR, 20K OHM	C604	CB+25153KRXRF	BC CON 0.015MF 25V K R XR
SVR704	4-222T-97578	SEMI-FIXED RESISTOR, 100K OHM	C605	CB+25103KRXRF	BC CON 0.01MF 25V K R XR
SVR801	4-222T-97575	SEMI-FIXED RESISTOR, 10K OHM	C606	CE+16476MR++F	ELECT 47MF 16V M R
SVR802	4-222T-97575	SEMI-FIXED RESISTOR, 10K OHM	C607	CE+16106MR++F	ELECT 10MF 16V M R
SVR803	4-222T-97576	SEMI-FIXED RESISTOR, 20K OHM	C608	CE+16106MR++F	ELECT 10MF 16V M R
SVR804	4-222T-97578	SEMI-FIXED RESISTOR, 100K OHM	C609	CE+16106MR++F	ELECT 10MF 16V M R
IC501	S1LM1131CN+++	IC LM1131CN DIP20	C610	CE+16106MR++F	ELECT 10MF 16V M R
IC701	S1LA3160T+++	IC LA3160T	C612	CE+16336MR++F	ELECT 33MF 16V M R
IC702	S1LA3160T+++	IC LA3160T	C613	CE+16476MR++F	ELECT 47MF 16V M R
Q501	STC536+G+++UB	TR 2SC536 G AUD B SP	C614	CC+50103ZRZFF	CERAMIC 0.01MF 50V Z R ZF
Q551	STC536+G+++UB	TR 2SC536 G AUD B SP	C701	CE+16106MR++F	ELECT 10MF 16V M R
Q601	STD734+G+++	TR 2SD734 G	C702	CC+50561KRSLF	CERAMIC 560PF 50V K R SL
Q602	STC536+G+++UT	TR 2SC536 G AUD T NP	C703	CB+25102KRXRF	BC CON 0.001MF 25V K R XR
Q603	STC536+G+++UB	TR 2SC536 G AUD B SP	C704	CE6R3107MR++F	ELECT 100MF 6.3V M R
Q604	STC536+G+++UT	TR 2SC536 G AUD T NP	C705	CB+25273KRXRF	BC CON 0.027MF 25V K R XR
Q605	STC536+G+++UT	TR 2SC536 G AUD T NP	C706	CE+50225MR++F	ELECT 2.2MF 50V M R
Q606	STA608+G+++T	TR 2SA608 G	C707	CB+25183KRXRF	BC CON 0.018MF 25V K R XR
Q607	STC536+G+++UB	TR 2SC536 G AUD B SP	C708	CE+16106MR++F	ELECT 10MF 16V M R
Q608	STA608+G+++T	TR 2SA608 G	C709	CC+50561KRSLF	CERAMIC 560PF 50V K R SL
Q609	STA608+G+++T	TR 2SA608 G	C710	CB+25102KRXRF	BC CON 0.001MF 25V K R XR
Q610	STC536+G+++UB	TR 2SC536 G AUD B SP	C711	CE6R3107MR++F	ELECT 100MF 6.3V M R
Q701	STC536+G+++UB	TR 2SC536 G AUD B SP	C712	CB+25273KRXRF	BC CON 0.027MF 25V K R XR
Q703	STC536+G+++UB	TR 2SC536 G AUD B SP	C713	CE+50225MR++F	ELECT 2.2MF 50V M R
Q704	STC536+G+++UB	TR 2SC536 G AUD B SP	C714	CB+25183KRXRF	BC CON 0.018MF 25V K R XR
Q705	STC536+G+++UB	TR 2SC536 G AUD B SP	C715	CE+50225MR++F	ELECT 2.2MF 50V M R
Q706	STC536+G+++UB	TR 2SC536 G AUD B SP	C716	CE+50105MR++F	ELECT 1MF 50V M R
Q707	STC536+G+++UB	TR 2SC536 G AUD B SP	C717	CE+25106MR++F	ELECT 10MF 16V M R
Q801	STC536+G+++UB	TR 2SC536 G AUD B SP	C718	CE+16106MR++F	ELECT 10MF 16V M R
Q803	STC536+G+++UB	TR 2SC536 G AUD B SP	C719	CB+25183JRXRF	BC CON 0.018MF 25V J R XR
Q804	STC536+G+++UB	TR 2SC536 G AUD B SP	C720	CB+25822KRXRF	BC CON 0.0082MF 25V K R XR
Q805	STC536+G+++UB	TR 2SC536 G AUD B SP	C721	CE+50225MR++F	ELECT 2.2MF 50V M R
Q806	STC536+G+++UB	TR 2SC536 G AUD B SP	C722	CC+50471KRSLF	CERAMIC 470PF 50V K R SL
Q807	STC536+G+++UB	TR 2SC536 G AUD B SP	C723	CC+50101KRSLF	CERAMIC 100PF 50V K R SL
Q901	STD734+G+++	TR 2SD734 G	C801	CE+16106MR++F	ELECT 10MF 16V M R
D601	SD1SS133+++T	DIODE 1SS133	C802	CC+50561KRSLF	CERAMIC 560PF 50V K R SL
D602	SD1SS133+++T	DIODE 1SS133	C803	CB+25102KRXRF	BC CON 0.001MF 25V K R XR
D603	SD1SS133+++T	DIODE 1SS133	C804	CE6R3107MR++F	ELECT 100MF 6.3V M R
D604	SD1SS133+++T	DIODE 1SS133	C805	CB+25273KRXRF	BC CON 0.027MF 25V K R XR
D605	SD1SS133+++T	DIODE 1SS133	C806	CE+50225MR++F	ELECT 2.2MF 50V M R
D606	SD1SS133+++T	DIODE 1SS133	C807	CB+25183KRXRF	BC CON 0.018MF 25V K R XR
D607	SD1SS133+++T	DIODE 1SS133	C808	CE+16106MR++F	ELECT 10MF 16V M R
D608	SD1SS133+++T	DIODE 1SS133	C809	CC+50561KRSLF	CERAMIC 560PF 50V K R SL
D609	SD1SS133+++T	DIODE 1SS133	C810	CB+25102KRXRF	BC CON 0.001MF 25V K R XR
D610	SD1SS133+++T	DIODE 1SS133	C811	CE6R3107MR++F	ELECT 100MF 6.3V M R
D611	SD1SS133+++T	DIODE 1SS133	C812	CB+25273KRXRF	BC CON 0.027MF 25V K R XR
D612	SD1SS133+++T	DIODE 1SS133	C813	CE+50225MR++F	ELECT 2.2MF 50V M R
D613	SD1SS133+++T	DIODE 1SS133	C814	CB+25183KRXRF	BC CON 0.018MF 25V K R XR
D614	SD1SS133+++T	DIODE 1SS133	C815	CE+50225MR++F	ELECT 2.2MF 50V M R
C501	CE+50225MR++F	ELECT 2.2MF 50V M R	C816	CE+50105MR++F	ELECT 1MF 50V M R
C502	CE+16106MR++F	ELECT 10MF 16V M R	C817	CE+25106MR++F	ELECT 10MF 16V M R
C503	CE+16106MR++F	ELECT 10MF 16V M R	C818	CE+16106MR++F	ELECT 10MF 16V M R
C504	CE+50104MR++F	ELECT 0.1MF 50V M R	C819	CB+25183JRXRF	BC CON 0.018MF 25V J R XR
C505	CE+50334MR++F	ELECT 0.33MF 50V M R	C820	CB+25822KRXRF	BC CON 0.0082MF 25V K R XR
C506	CB+25473JRXRF	BC CON 0.047MF 25V J R XR	C821	CE+50225MR++F	ELECT 2.2MF 50V M R
			C822	CC+50471KRSLF	CERAMIC 470PF 50V K R SL

## PARTS LIST

Ref. No.	Part No.	Description	Ref. No.	Part No.	Description
C823	CC+50101KRSLF	CERAMIC 100PF 50V K R SL	R721	RC/+6153JT+++	CARBON T 15K OHM J 1/6W
C901	CE+10107MR++F	ELECT 100MF 10V M R	R724	RC/+6472JT+++	CARBON T 4.7K OHM J 1/6W
C902	CE+10107MR++F	ELECT 100MF 10V M R	R725	RC/+4472JT+++	CARBON T 4.7K OHM J1/4WR25
C903	CE+10107MR++F	ELECT 100MF 10V M R	R726	RC/+6222JT+++	CARBON T 2.2K OHM J 1/6W
C904	CE+16476MR++F	ELECT 47MF 16V M R	R727	RC/+6154JT+++	CARBON T 150K OHM J 1/6W
C907	CE+16108MY+++	ELECT 1000MF 16V M Y	R728	RC/+6223JT+++	CARBON T 22K OHM J 1/6W
C908	CE+16227MY+++	ELECT 220MF 16V M Y	R729	RC/+6103JT+++	CARBON T 10K OHM J 1/6W
C911	CE6R3227MR++F	ELECT 220MF 6.3V M R	R730	RC/+6122JT+++	CARBON T 1.2K OHM J 1/6W
C912	CE+16107MR++F	ELECT 100MF 16V M R	R731	RC/+6562JT+++	CARBON T 5.6K OHM J 1/6W
R501	RC/+6105JT+++	CARBON T 1M OHM J 1/6W	R732	RC/+4562JT+++	CARBON T 5.6K OHM J1/4WR25
R502	RC/+6332JT+++	CARBON T 3.3K OHM J 1/6W	R733	RC/+4332JT+++	CARBON T 3.3K OHM J1/4WR25
R503	RC/+6561JT+++	CARBON T 560 OHM J 1/6W	R734	RC/+4562JT+++	CARBON T 5.6K OHM J1/4WR25
R504	RC/+6122JT+++	CARBON T 1.2K OHM J 1/6W	R735	RC/+4333JT+++	CARBON T 33K OHM J1/4WR25
R505	RC/+6683JT+++	CARBON T 68K OHM J 1/6W	R736	RC/+4151JT+++	CARBON T 150 OHM J1/4WR25
R506	RC/+6332JT+++	CARBON T 3.3K OHM J 1/6W	R801	RC/+6560JT+++	CARBON T 56 OHM J 1/6W
R507	RC/+6473JT+++	CARBON T 47K OHM J 1/6W	R802	RC/+6472JT+++	CARBON T 4.7K OHM J 1/6W
R508	RC/+6562JT+++	CARBON T 5.6K OHM J 1/6W	R803	RC/+6154JT+++	CARBON T 150K OHM J 1/6W
R510	RC/+4102JT+++	CARBON T 1K OHM J1/4WR25	R804	RC/+6222JT+++	CARBON T 2.2K OHM J 1/6W
R511	RC/+6274JT+++	CARBON T 270K OHM J 1/6W	R805	RC/+6392JT+++	CARBON T 3.9K OHM J 1/6W
R551	RC/+6105JT+++	CARBON T 1M OHM J 1/6W	R806	RC/+4104JT+++	CARBON T 100K OHM J1/4WR25
R552	RC/+4332JT+++	CARBON T 3.3K OHM J1/4WR25	R807	RC/+4472JT+++	CARBON T 4.7K OHM J1/4WR25
R553	RC/+6561JT+++	CARBON T 560 OHM J 1/6W	R808	RC/+6103JT+++	CARBON T 10K OHM J 1/6W
R554	RC/+6122JT+++	CARBON T 1.2K OHM J 1/6W	R809	RC/+6560JT+++	CARBON T 56 OHM J 1/6W
R555	RC/+6683JT+++	CARBON T 68K OHM J 1/6W	R810	RC/+6472JT+++	CARBON T 4.7K OHM J 1/6W
R556	RC/+6332JT+++	CARBON T 3.3K OHM J 1/6W	R811	RC/+6154JT+++	CARBON T 150K OHM J 1/6W
R557	RC/+6473JT+++	CARBON T 47K OHM J 1/6W	R812	RC/+6222JT+++	CARBON T 2.2K OHM J 1/6W
R558	RC/+6562JT+++	CARBON T 5.6K OHM J 1/6W	R813	RC/+6392JT+++	CARBON T 3.9K OHM J 1/6W
R560	RC/+6102JT+++	CARBON T 1K OHM J 1/6W	R815	RC/+6104JT+++	CARBON T 100K OHM J 1/6W
R561	RC/+6274JT+++	CARBON T 270K OHM J 1/6W	R816	RC/+4472JT+++	CARBON T 4.7K OHM J1/4WR25
R601	RC/+4822JT+++	CARBON T 8.2K OHM J1/4WR25	R817	RC/+6103JT+++	CARBON T 10K OHM J 1/6W
R602	RC/+4330JT+++	CARBON T 33 OHM J1/4WR25	R818	RC/+6123JT+++	CARBON T 1.2K OHM J 1/6W
R603	RC/+4333JT+++	CARBON T 33 OHM J1/4WR25	R819	RC/+4472JT+++	CARBON T 4.7K OHM J1/4WR25
R604	RC/+4472JT+++	CARBON T 4.7K OHM J1/4WR25	R821	RC/+6153JT+++	CARBON T 15K OHM J 1/6W
R605	RC/+6821JT+++	CARBON T 820 OHM J 1/6W	R824	RC/+6472JT+++	CARBON T 4.7K OHM J 1/6W
R606	RM++1470JP+++	METAL P 47 OHM J 1W	R825	RC/+4472JT+++	CARBON T 4.7K OHM J1/4WR25
R607	RC/+6223JT+++	CARBON T 22K OHM J 1/6W	R826	RC/+6222JT+++	CARBON T 2.2K OHM J 1/6W
R608	RC/+4222JT+++	CARBON T 2.2K OHM J1/4WR25	R827	RC/+6154JT+++	CARBON T 150K OHM J 1/6W
R609	RC/+6472JT+++	CARBON T 4.7K OHM J 1/6W	R828	RC/+6223JT+++	CARBON T 22K OHM J 1/6W
R610	RC/+6103JT+++	CARBON T 10K OHM J 1/6W	R829	RC/+6103JT+++	CARBON T 10K OHM J 1/6W
R612	RC/+4152JT+++	CARBON T 1.5K OHM J1/4WR25	R830	RC/+6122JT+++	CARBON T 1.2K OHM J 1/6W
R613	RC/+6153JT+++	CARBON T 15K OHM J 1/6W	R831	RC/+6562JT+++	CARBON T 5.6K OHM J 1/6W
R614	RC/+6103JT+++	CARBON T 10K OHM J 1/6W	R832	RC/+4562JT+++	CARBON T 5.6K OHM J1/4WR25
R615	RC/+6682JT+++	CARBON T 6.8K OHM J 1/6W	R833	RC/+4332JT+++	CARBON T 3.3K OHM J1/4WR25
R616	RC/+6333JT+++	CARBON T 33K OHM J 1/6W	R834	RC/+4562JT+++	CARBON T 5.6K OHM J1/4WR25
R617	RC/+6153JT+++	CARBON T 15K OHM J 1/6W	R835	RC/+4333JT+++	CARBON T 33K OHM J1/4WR25
R618	RC/+4561JT+++	CARBON T 560 OHM J1/4WR25	R836	RC/+4151JT+++	CARBON T 150 OHM J1/4WR25
R619	RC/+6103JT+++	CARBON T 10K OHM J 1/6W	R901	RC/+4271JT+++	CARBON T 270 OHM J1/4WR25
R620	RC/+6682JT+++	CARBON T 6.8K OHM J 1/6W	R902	RC/+4271JT+++	CARBON T 270 OHM J1/4WR25
R621	RC/+6472JT+++	CARBON T 4.7K OHM J 1/6W	R903	RC/+4561JT+++	CARBON T 560 OHM J1/4WR25
R622	RC/+6100JT+++	CARBON T 10 OHM J 1/6W	R904	RM/+4100JPRF	METAL P 10 OHM J1/4RF
R623	RC/+6153JT+++	CARBON T 15K OHM J 1/6W	R913	RC/+4152JT+++	CARBON T 1.5K OHM J1/4WR25
R624	RC/+6333JT+++	CARBON T 33K OHM J 1/6W	R914	RC/+6330JT+++	CARBON T 33 OHM J 1/6W
R625	RC/+6472JT+++	CARBON T 4.7K OHM J 1/6W	R916	RF/+4100JSFPR	FP-CARBON S 10 J1/4WR25
R626	RC/+6333JT+++	CARBON T 33K OHM J 1/6W			
R627	RC/+6103JT+++	CARBON T 10K OHM J 1/6W			
R701	RC/+6560JT+++	CARBON T 56 OHM J 1/6W			
R702					



PARTS LIST

Ref. No.	Part No.	Description
C905	CE+16106MR+FF	ELECT 10MF 16V M R
C906	CE+25475MR+FF	ELECT 4.7MF 25V M R
C915	CE+16336MR+FF	ELECT 33MF 16V M R
R720	RC/+6223JT+++	CARBON T 22K OHM J 1/6W
R722	RC/+6472JT+++	CARBON T 4.7K OHM J 1/6W
R723	RC/+6472JT+++	CARBON T 4.7K OHM J 1/6W
R820	RC/+6223JT+++	CARBON T 22K OHM J 1/6W
R822	RC/+6472JT+++	CARBON T 4.7K OHM J 1/6W
R823	RC/+6472JT+++	CARBON T 4.7K OHM J 1/6W
R905	RC/+6104JT+++	CARBON T 100K OHM J 1/6W
R906	RC/+6153JT+++	CARBON T 15K OHM J 1/6W
R907	RC/+6331JT+++	CARBON T 330 OHM J 1/6W
R908	RC/+6331JT+++	CARBON T 330 OHM J 1/6W
R911	RC/+6561JT+++	CARBON T 560 OHM J 1/6W
R912	RC/+6103JT+++	CARBON T 10K OHM J 1/6W
R917	RM/+4220JSRFR	METAL S 22 OHM J1/4W RF

POWER SWITCH PCB ASSY

Ref. No.	Part No.	Description
52	141-4-285T-14271	P.C BOARD ASSY, POWER SWITCH
S6	4-238T-82200	SWITCH, POWER
C914	CC+50103ZRZFF	CERAMIC 0.01MF 50V Z R ZF

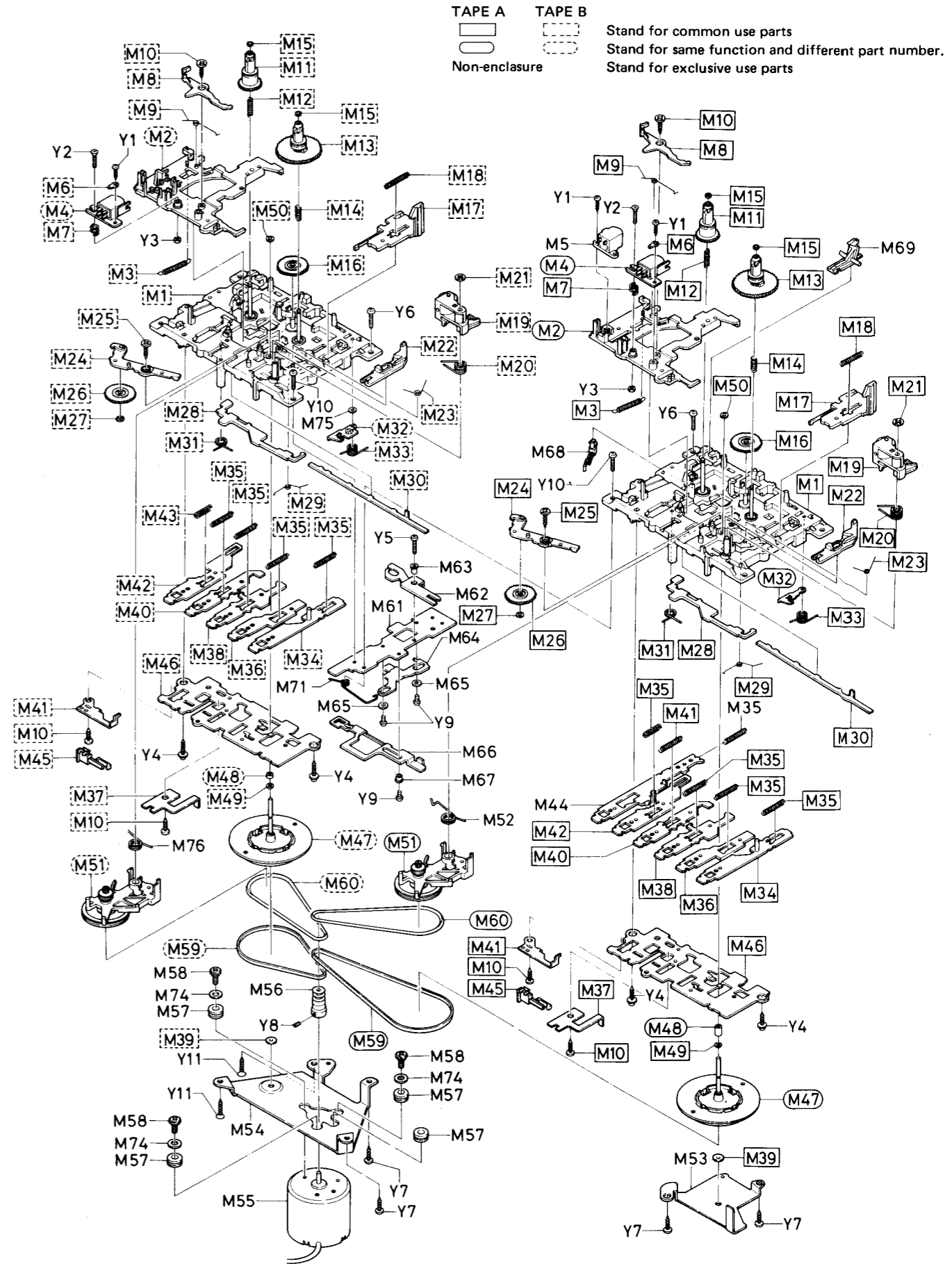
MECHANISM TM-W266

Ref. No.	Part No.	Description
M1	141-0-311T-44000	CHASSIS ASSY
M2	141-2-732T-10330	SLIDE, HEAD, (B)
or	141-2-732T-17030	SLIDE, HEAD (A)
M3	141-2-856T-14901	SPRING COIL, HEAD SLIDE RETURN
M4	4-242T-25371	MAGNETIC HEAD, REC/PLAY (B)
or	4-242T-30800	MAGNETIC HEAD, PLAY (A)
M5	4-242T-27500	MAGNETIC HEAD, ERASE (B)
M6	141-2-472T-00200	LUG, GROUND
M7	141-2-856T-15200	SPRING COIL, AZIMUTH ADJUST
M8	141-2-742T-97630	LEVER, SHUT OFF
M9	141-2-852T-82101	SPRING WIRE, RELAY GEAR RETURN
M10	141-2-421T-41000	SPECIAL SCREW
M11	141-2-531T-14900	REEL PLATE, SUPPLY
M12	141-2-856T-14400	SPRING COIL, SUPPLY REEL PLATE
M13	141-0-531T-14800	REEL PLATE ASSY, TAKE-UP
M14	141-2-856T-17200	SPRING COIL, TAKE-UP REEL
M15	141-2-453T-30001	WASHER, REEL PLATE
M16	141-2-581T-29500	GEAR, FF RELAY
M17	141-2-732T-10400	SLIDE, EJECT
M18	141-2-856T-15100	SPRING COIL, EJECT SLIDE
M19	141-0-545T-08432	PINCH ROLLER LEVER ASSY
M20	141-2-852T-82402	SPRING WIRE, PINCH ROLLER LEVER
M21	141-2-457T-20100	SPECIAL WASHER
M22	141-2-742T-97430	LEVER, AUTO STOP
M23	141-2-852T-82000	SPRING WIRE, AUTO STOP LEVER RETURN
M24	141-2-742T-97230	LEVER, RELAY GEAR
M25	141-2-421T-41000	SPECIAL SCREW, RELAY GEAR LEVER
M26	141-2-581T-29500	GEAR, PLAY RELAY
M27	141-2-457T-20000	SPECIAL WASHER
M28	141-2-732T-10500	SLIDE, SWITCH
M29	141-2-852T-82700	SPRING WIRE, SLIDE RETURN
M30	141-2-732T-16900	SLIDE, LOCK
M31	141-2-852T-82600	SPRING WIRE, SLIDE RETURN
M32	141-2-740T-27500	LEVER, CONTINUOUS CUM (A)
or	141-2-742T-35601	LEVER, PAUSE CUM (B)
M33	141-2-852T-82500	SPRING WIRE, LEVER (M32) RETURN
M34	141-0-732T-11100	SLIDE ASSY, PAUSE
M35	141-2-856T-14700	SPRING COIL, SLIDE RETURN
M36	141-2-732T-11000	SLIDE, STOP
M37	141-2-310T-89400	BRACKET

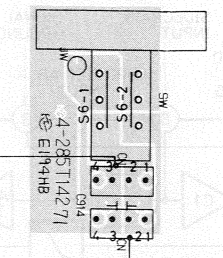
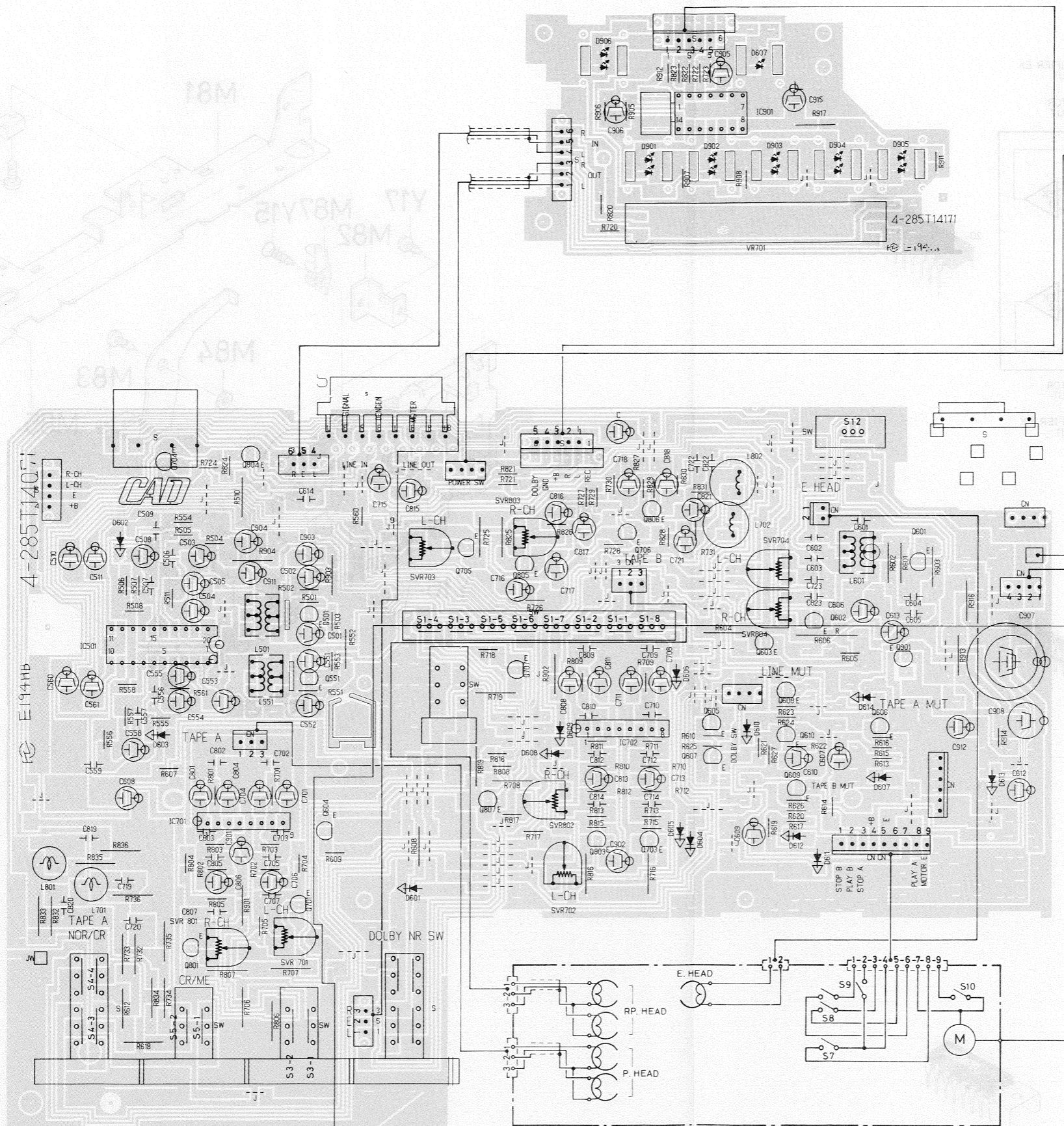
Ref. No.	Part No.	Description
M38	141-2-732T-10900	SLIDE, FF
M39	141-2-573T-15700	BEARING, FLYWHEEL BRACKET
M40	141-2-732T-10800	SLIDE, REWIND
M41	141-2-365T-57900	BRACKET, SWITCH
M42	141-2-732T-10700	SLIDE, PLAY
M43	141-2-856T-15000	SPRING COIL, PLAY SLIDE
M44	141-2-732T-16800	SLIDE, RECORD (B)
M45	4-238T-63600	SWITCH, PLAY (S7,S9)
M46	141-2-737T-09800	BRACKET, SLIDE
M47	141-0-521T-15201	FLYWHEEL ASSY (A)
or	141-0-521T-15202	FLYWHEEL ASSY (B)
M48	141-2-461T-50300	PIPE, FLYWHEEL (A)
or	141-2-461T-50400	PIPE, FLYWHEEL (B)
M49	141-2-453T-30101	WASHER, FLYWHEEL
M50	141-2-453T-29901	WASHER
M51	141-0-742T-97130	LEVER ASSY, REW/FF (A)
or	141-0-742T-97140	LEVER ASSY, REW/FF (B)
M52	141-2-852T-87802	SPRING WIRE, REW/FF LEVERS (B)
M53	141-2-524T-11500	BRACKET, FLYWHEEL (B)
M54	141-2-378T-18000	BRACKET, MOTOR
M55	4-527T-28871	COMMUTATE MOTOR
M56	141-2-661T-81700	PULLEY, MOTOR
or	141-2-661T-81701	PULLEY, MOTOR
or	141-2-661T-81702	PULLEY, MOTOR
M57	141-2-445T-29100	RUBBER CUSHION, MOTOR
M58	141-2-421T-41200	SPECIAL SCREW, MOTOR
M59	141-2-561T-07400	FLAT BELT (A)
or	141-2-561T-07500	FLAT BELT (B)
or	141-2-564T-39200	SQUARE BELT (A)
or	141-2-564T-39300	SQUARE BELT (B)
M61	141-2-737T-11900	BRACKET, CHASSISES MTG
M62	141-2-740T-27400	LEVER, CONTINUOUS PLAY
M63	141-2-461T-50200	PIPE, CONTINUOUS PLAY LEVER
M64	141-2-732T-32800	SLIDE, CONTINUOUS PLAY
M65	141-2-461T-51100	PIPE
M66	141-2-732T-32500	SLIDE, SWITCH ON
M67	141-2-461T-50900	PIPE, SWITCH ON SLIDE
M68	4-238T-63700	SWITCH, MOTOR (S10)
M69	141-2-742T-97500	LEVER, SAFETY RECORD
M71	141-2-860T-06500	SPRING WIRE
M74	141-2-453T-02600	WASHER
M75	141-2-453T-30201	WASHER
M76	141-2-852T-82301	SPRING WIRE (A)
M81	141-2-214T-09700	BRACKET, FRAME
M82	141-2-310T-84700	BRACKET, REC LEVER
M83	141-2-421T-24700	SPECIAL SCREW
M84	141-2-462T-74200	BOSS
M85	141-2-740T-06701	LEVER, REC
M86	4-238T-72100	SWITCH, STOP
M87	4-237T-05801	TERMINAL BOARD
Y1	BJN2S++2+8+Z1	S T PAN H 2X8Z1
Y2	BJS++2+10+Z1	S M FLAT H 2X10Z1
Y3	NJR3S++2+++Z1	HEXAGON NUT 3
Y4	BJX6S++3+8+Z1	S T WASHER H 3X8Z1
Y5	BJSTS++3+10+Z1	S T PAN H 3X10Z1
Y6	BJNBS++3+6+Z1	S M PAN H 3X6Z1
Y7	BJB2S++3+8+Z1	S T BIND H 3X8Z1
Y8	BJTMS++2+4+Z1	HEADLESS SCREW, 2X4Z1
Y9	BJSTS2R6+6+Z1	S T PAN H 2.6X6Z1
Y10	BJNBS++3+16+Z1	S M PAN H 3X16Z1
Y11	BJS2S++3+10+Z1	S T FLAT H 3X10Z1
Y15	BJESS++3+4+Z1	S M BIND H 3X4Z1
Y16	BJB2S++3+8+Z1	S M BIND H 3X8Z1
Y17	BJSTS2R6+3+Z1	S T PAN H 2.6X3Z1
Y18	BJ3BS1R7+8+Z1	S M SP PAN H 3B 1.7X8Z1
	4-267T-02200	SOCKET, TAPE A, R/P HEAD
	4-267T-02300	SOCKET, TAPE A, B MECHANISM
	4-267T-02400	SOCKET, TAPE B, R/P HEAD
	4-267T-02500	SOCKET, TAPE B, E HEAD

Note: The parts identified with (A) and (B) in the description are exclusive use for tape deck A or tape deck B.

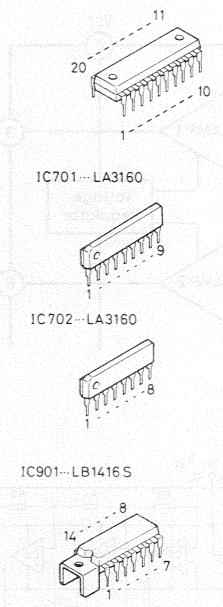
MECHANISM EXPLODED VIEW (1)



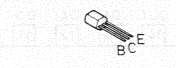




IC CONNECTION



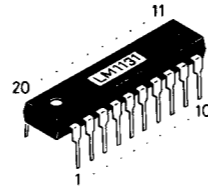
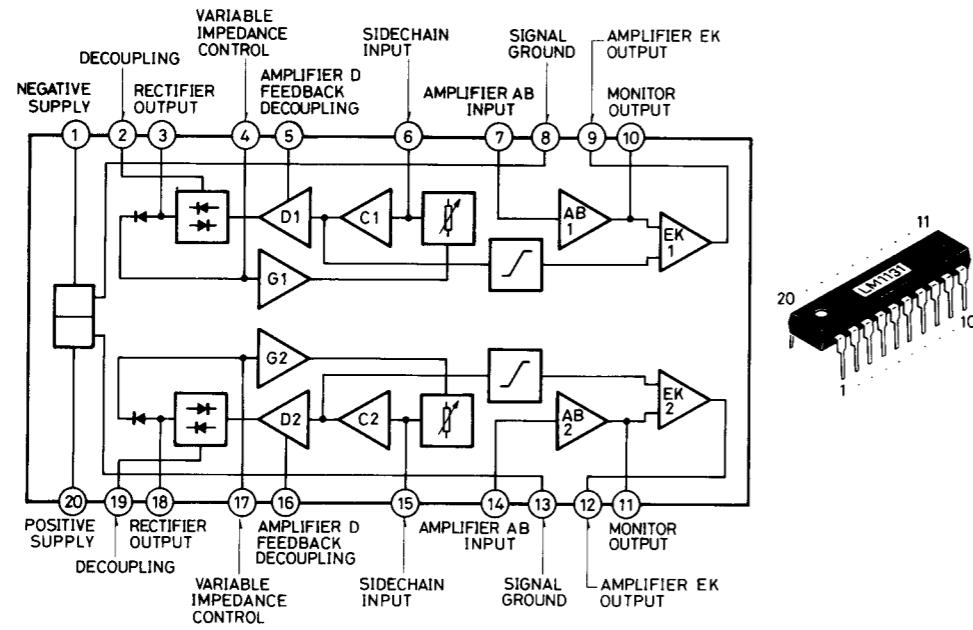
TRANSISTOR CONNECTION



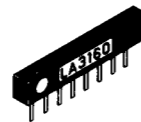
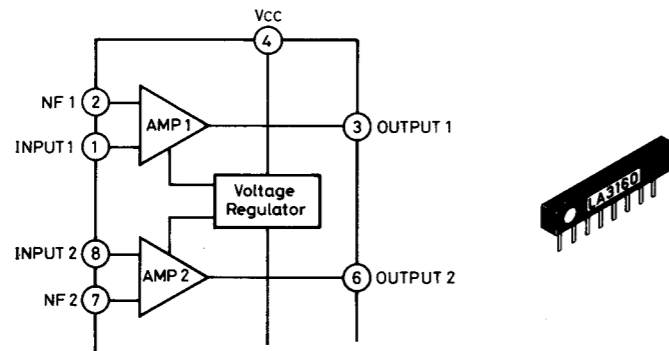
- Q501, 551, 602, 603, 604, 605
- Q607, 610, 701, 703, 704, 705
- Q706, 707, 801, 803, 804, 805
- Q806, 807, ... 25C536G
- Q901 ... 25D734G
- Q901 ... 25D734

IC BLOCK DIAGRAMS

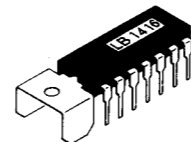
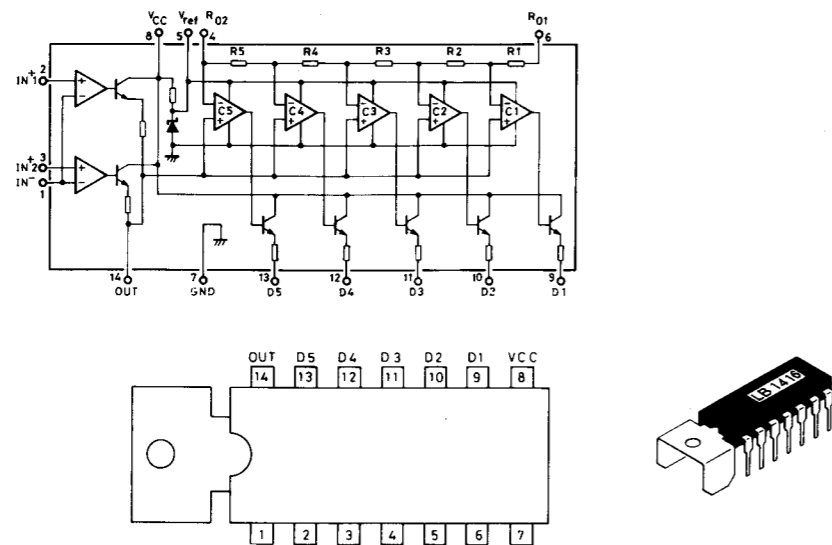
IC501 LM1131CN



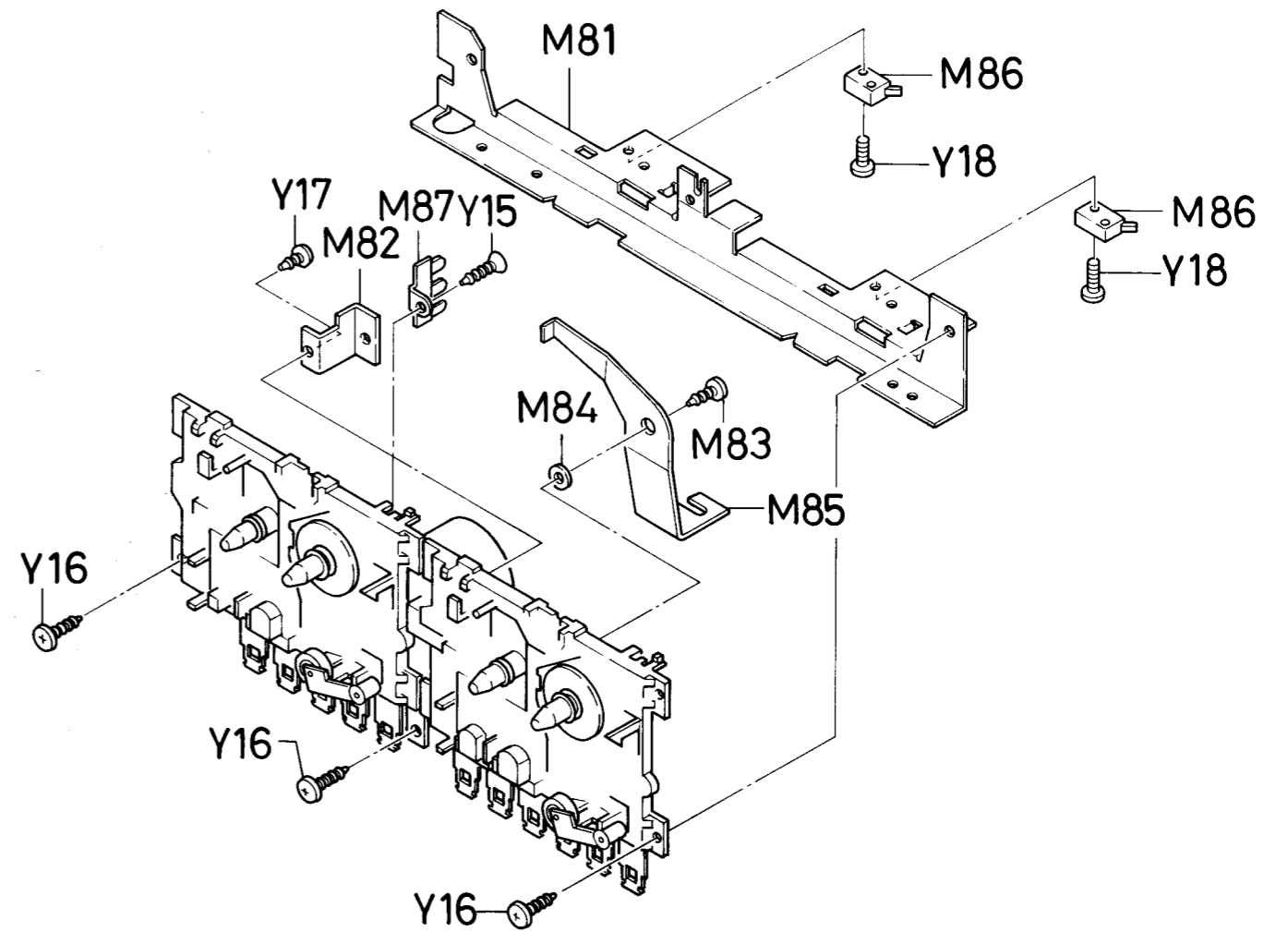
IC701/702 LA3160T



IC901 LB1416



MECHANISM EXPLODED VIEW (2)



SANYO ELECTRIC TRADING CO., LTD.  
 33, Hiyoshi-cho 2-chome, Moriguchi-shi,  
 Osaka-fu 570, Japan  
 May/'85/7200 NS Printed in Japan