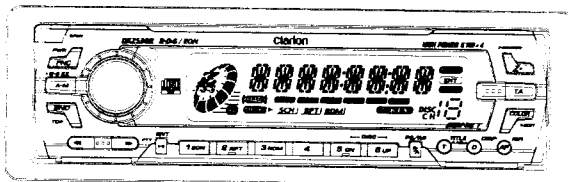


Service Manual

NET



RDS-EON FM/MW/LW
 Radio CD Combination
 with DVD/MD/CD Changer/
 DAB / TV Control

Model **DXZ538R**
 (PE-2553E-A)

SPECIFICATIONS

Radio section

Tuning system: PLL synthesizer tuner
 Receiving frequencies: FM : 87.5 to 108 MHz
 (0.05 MHz steps)
 MW : 531 to 1602 kHz
 (9 kHz steps)
 LW : 153 to 279 kHz
 (3 kHz steps)

CD player section

System: Compact disc digital audio system
 Frequency response: 10 Hz to 20 kHz (+1/-1 dB)
 Signal to noise ratio: 100 dB (1 kHz) IHF-A
 Dynamic Range: 95 dB (1 kHz)
 Distortion: 0.01%

General

Output power : 27 W x 4
 (DIN45324, +B=14.4 V)
 Power supply voltage: 14.4 V DC (10.8 V to 15.6 V allowable),
 negative ground
 Power consumption: Less than 15 A
 Speaker impedance: 4ohm(4ohm to 8ohm allowable)
 Auto antenna rated current:
 500 mA or less
 Weight: 1.3 kg
 Dimensions: 178(W) x 50(H) x 157(D)mm

* Specifications and design are subject to change without notice for further improvement.

NOTE

- * We cannot supply PWB with component parts in principle. When a circuit on PWB has failure, please repair it by component parts base. Parts which are not mentioned in service manual are not supplied.
- * CD-ROM discs cannot be played by this unit.

COMPONENTS

PE-2553E-A		
Main unit	-----	1
Mounting bracket	300-7742-00	1
DCP case	335-6035-20	1
Escutcheon(OUT-ES)	370-6037-00	1
Parts bag		
Removal key	331-2497-00	2
Rubber part	345-3653-20	1
Screw	716-0726-01	1
A- lead	850-6681-50	1

FEATURES

1. 1-Bit D/A Converters and 8-Times Oversampling Digital Filter.
2. Flip Down Detachable Aluminum Face with 80-Variable Color LC Display and Control Buttons.

To engineers in charge of repair or inspection of our products.

Before repair or inspection, make sure to follow the instructions so that customers and Engineers in charge of repair or inspection can avoid suffering any risk or injury.

1. Use specified parts.

The system uses parts with special safety features against fire and voltage. Use only parts with equivalent characteristics when replacing them.

The use of unspecified parts shall be regarded as remodeling for which we shall not be liable. The onus of product liability (PL) shall not be our responsibility in cases where an accident or failure is as a result of unspecified parts being used.

2. Place the parts and wiring back in their original positions after replacement or re-wiring.

For proper circuit construction, use of insulation tubes, bonding, gaps to PWB, etc, is involved. The wiring connection and routing to the PWB are specially planned using clamps to keep away from heated and high voltage parts. Ensure that they are placed back in their original positions after repair or inspection. If extended damage is caused due to negligence during repair, the legal responsibility shall be with the repairing company.

3. Check for safety after repair.

Check that the screws, parts and wires are put back securely in their original position after repair. Ensure for safety reasons there is no possibility of secondary problems around the repaired spots.

If extended damage is caused due to negligence of repair, the legal responsibility shall be with the repairing company.

4. Caution in removal and making wiring connection to the parts for the automobile.

Disconnect the battery terminal after turning the ignition key off. If wrong wiring connections are made with the battery connected, a short circuit and/or fire may occur. If extensive damage is caused due to negligence of repair, the legal responsibility shall be with the repairing company.

5. Cautions regarding chips.

Do not reuse removed chips even when no abnormality is observed in their appearance. Always replace them with new ones. (The chip parts include resistors, capacitors, diodes, transistors, etc). The negative pole of tantalum capacitors is highly susceptible to heat, so use special care when replacing them and check the operation afterwards.

6. Cautions in handling flexible PWB

Before working with a soldering iron, make sure that the iron tip temperature is around 270 °C. Take care not to apply the iron tip repeatedly (more than three times) to the same patterns. Also take care not to apply the tip with force.

7. Turn the unit OFF during disassembly and parts replacement. Recheck all work before you apply power to the unit.

8. Cautions in checking that the optical pickup lights up.

The laser is focused on the disc reflection surface through the lens of the optical pickup. When checking that the laser optical diode lights up, keep your eyes more than 30cms away from the lens. Prolonged viewing of the laser within 30cms may damage your eyesight.

9. Cautions in handling the optical pickup

The laser diode of the optical pickup can be damaged by electrostatic charge caused by your clothes and body. Make sure to avoid electrostatic charges on your clothes or body, or discharge static electricity before handling the optical pickup.

9-1. Laser diode

The laser diode terminals are shorted for transportation in order to prevent electrostatic damage. After replacement, open the shorted circuit. When removing the pickup from the mechanism, short the terminals by soldering them to prevent this damage.

9-2. Actuator

The actuator has a powerful magnetic circuit. If a magnetic material is put close to it, its characteristics will change.

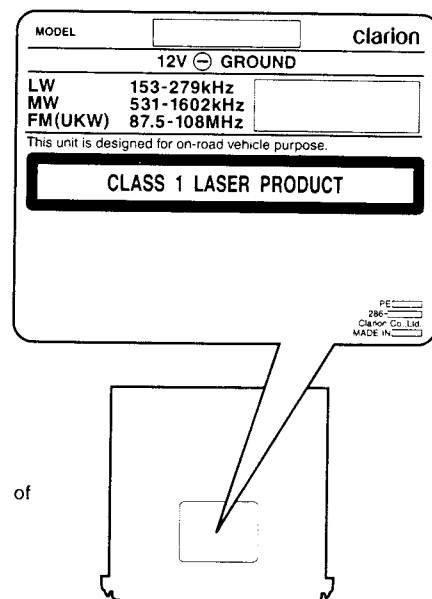
Ensure that no foreign substances enter through the ventilation slots in the cover.

9-3. Cleaning the lens

Dust on the optical lens affects performance. To clean the lens, apply a small amount of isopropyl alcohol to lens paper and wipe the lens gently.

CAUTIONS

This appliance contains a laser system and is classified as a "CLASS 1 LASER PRODUCT". To use this model properly, read this Owner's Manual carefully and keep this manual for your future reference. In case of any trouble with this player, please contact your nearest "AUTHORIZED service station". To prevent direct exposure to the laser beam, do not try to open the enclosure.

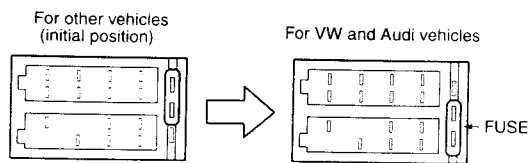


Bottom view of Main Unit

NOTES OF ISO CONNECTOR

- For VW and Audi vehicles, change the position of fuse installation as shown on the diagram.(Figure 1)

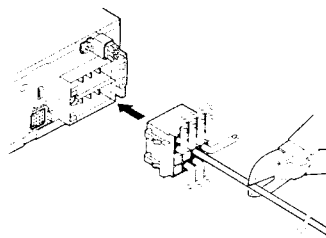
ISO CONNECTOR type



Main unit side ISO connector

Figuer 1

Note: Before cutting the lead wire, disconnect the car battery - (negative) cable.

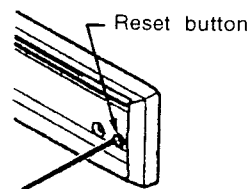


Figuer 2

- When the car stereo is installed in 1998 and later Volkswagen models, make sure to cut the car lead wire connected the A-5 terminal. (A breakdown could occur if the lead wire is not cut.) After cutting the lead wire, insulate the front end of the lead wire with insulation tape to prevent the risk of short-circuits. (Figure 2)
- When the Main unit is also connected to an external amplifier in a wiring procedure, connect REMOTE on the external amplifier to the previously cut lead wire on the side of the connector.

TROUBLESHOOTING

Problem	Cause	Measure
Power does not turn on. (No sound is produced.)	Fuse is blown.	Replace with a fuse of the same amperage as the old fuse.
	Incorrect wiring.	Read the attached "Installation/Wire Connection Guide" once again and wire properly.
No sound output when operating the unit with amplifiers or power antenna attached.	Power antenna lead is shorted to ground or excessive current is required for remote-on the amplifiers or power antenna.	<ol style="list-style-type: none"> Turn the unit off. Remove all wires attached to the power antenna lead. Check each wire for a possible short to ground using an ohm meter. Turn the unit back on. Reconnect each amplifier remote wire to the power antenna lead one by one. If the amplifiers turn off before all wires are attached, use an external relay to provide remote-on voltage (excessive current required.)
Nothing happens when buttons are pressed. Display is not accurate.	The microprocessor has malfunctioned due to noise, etc.	Turn off the power, then press the [OPEN] button and remove the DCP. Press the reset button for about 2 seconds with a thin rod.
	DCP or main unit connectors are dirty.	Wipe the dirt off with a soft cloth moistened with cleaning alcohol.
Compact disc cannot be loaded.	Another compact disc is already loaded.	Eject the compact disc before loading the new one.
Sound skips or is noisy.	Compact disc is dirty.	Clean the compact disc with a soft cloth.
	Compact disc is heavily scratched or warped.	Replace with a compact disc with no scratches.
Sound is bad directly after power is turned on.	Water droplets may form on the internal lens when the car is parked in a humid place.	Let dry for about 1 hour with the power on.



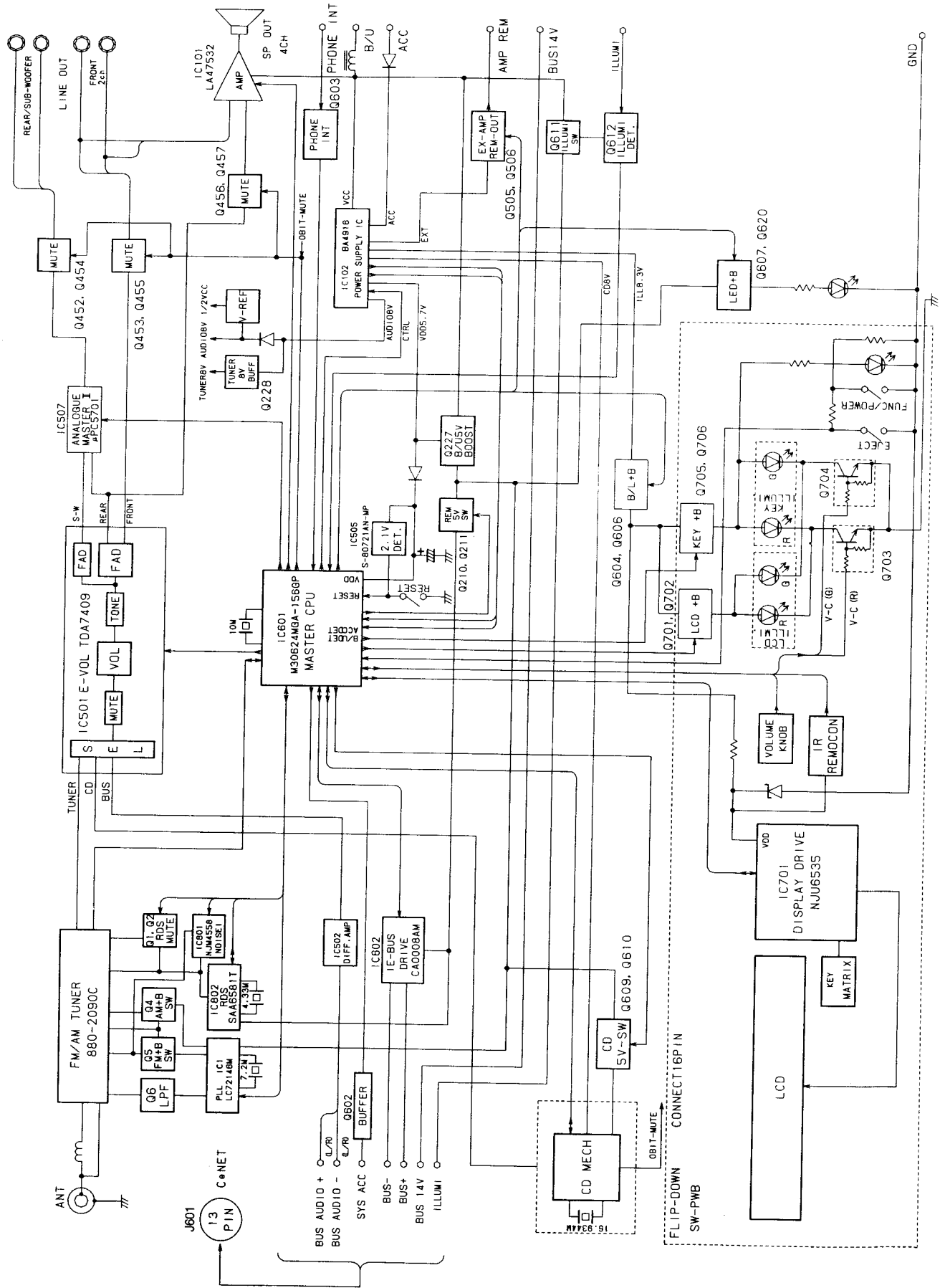
ERROR DISPLAYS

If an error occurs, one of the following displays is displayed.
Take the measures described below to eliminate the problem.

	Error Display	Cause	Measure
CD	ERROR 2	A CD is caught inside the CD deck and is not ejected.	This is a failure of CD deck's mechanism.
	ERROR 3	A CD cannot be played due to scratches, etc.	Replace with a non-scratched, non-warped disc.
	ERROR 6	A CD is loaded upside-down inside the CD deck and does not play.	Eject the disc then reload it properly.
CD CH	ERROR 2	A CD inside the CD changer is not loaded.	This is a failure of CD changer's mechanism.
	ERROR 3	A CD inside the CD changer cannot be played due to scratches, etc.	Replace with a non-scratched, non-warped disc.
	ERROR 6	A CD inside the CD changer cannot be played because it is loaded upside-down.	Eject the disc then reload it properly.
MD CH	ERROR H	Displayed when the temperature in the MD changer is too high and playback has been stopped automatically.	Lower the surrounding temperature and wait for a while to cool off MD changer.
	ERROR 2	An MD inside the MD changer is not loaded.	This is a failure of MD changer's mechanism.
	ERROR 3	An MD inside the MD changer cannot be played due to scratches, etc.	Replace with a non-scratched, non-warped disc.
	ERROR 6	An MD inside the MD changer cannot be played because it is loaded upside-down.	Eject the disc then reload it properly.
		Displayed when a non-recorded MD is loaded in the MD changer.	Load a pre-recorded MD in the MD changer.
DVD CH	ERROR 2	A DISC inside the DVD changer cannot be played.	This is a failure of DVD mechanism.
	ERROR 3	A DISC cannot be played due to scratches, etc.	Retry or replace with a non-scratched, non-warped-disc.
	ERROR 6	A DISC inside the DVD changer cannot be played because it is loaded upside-down.	Eject the disc then reload it properly.
	ERROR P	Parental level error.	Set the correct Parental level.
	ERROR R	Region code error.	Eject the disc and replace correct region code disc.

If an error display other than the ones described above appears, press the reset button.

BLOCK DIAGRAM



EXPLANATION OF IC:

M30624MGA-156GP 052-3928-00 MASTER MICRO COMPUTER

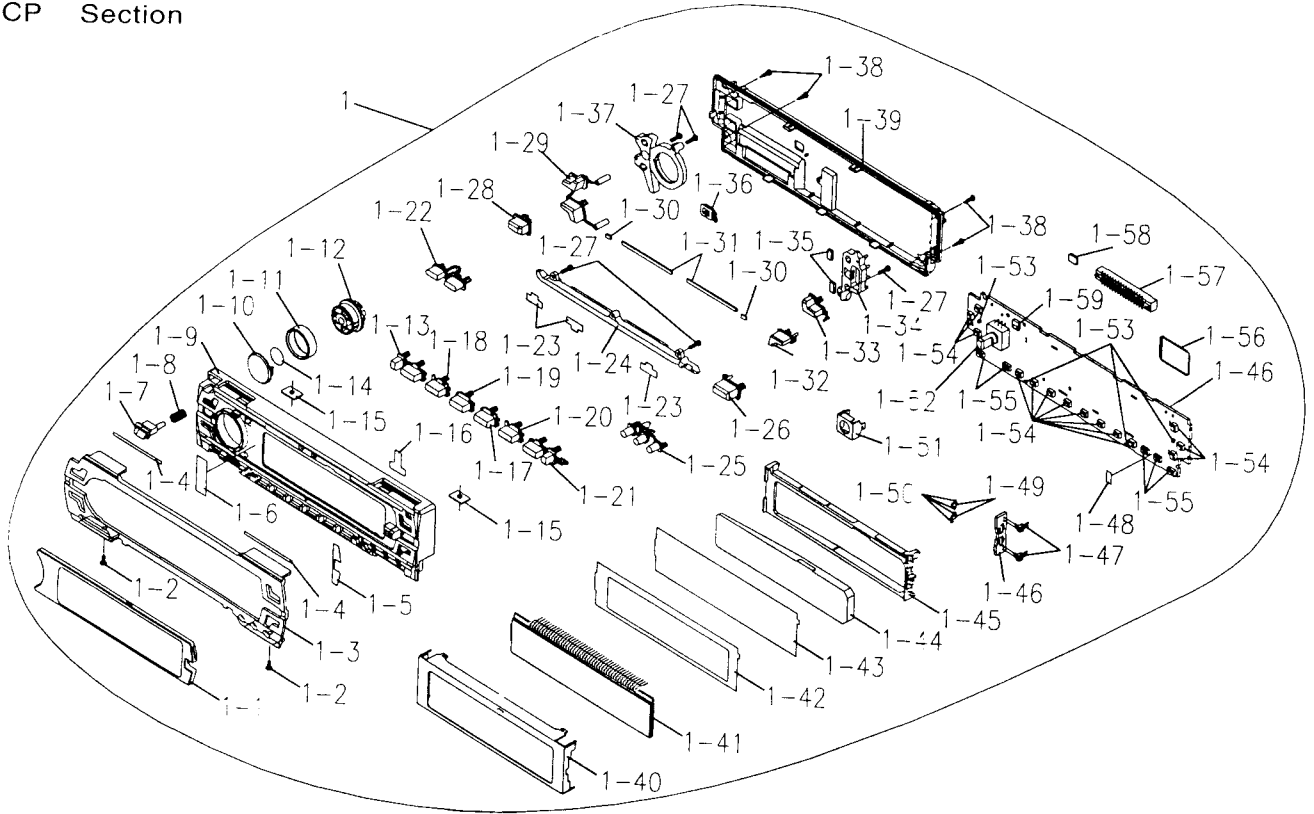
1. Outward Form : 100 pins QFP

2. Terminal Description

pin 1 : REMOCON	: IN	: Remote controller signal input terminal.	pin 64 : NC	: IN	: Not in use.
pin 2 : T-BASE	: IN	: Time base pulse input.	pin 65 : NC	: IN	: Not in use.
pin 3 : CD SBSY	: IN	: Sub-Q data request input from the CD IC.	pin 66 : NC	: IN	: Not in use.
pin 4 : RDS DATA	: IN	: RDS serial data input.	pin 67 : NC	: IN	: Not in use.
pin 5 : RDS CLK	: IN	: RSD clock pulse input.	pin 68 : NC	: IN	: Not in use.
pin 6 : BYTE	: -	: Input " L" at single mode operation.	pin 69 : NC	: IN	: Not in use.
pin 7 : CN VSS	: -	: Input " L" at single mode operation.	pin 70 : NC	: IN	: Not in use.
pin 8 : FM_ST/SD	: IN	: At receiving the FM station, this port detects the stereo signal. And at seeking or scanning, this port detects the station detection signal.	pin 71 : NC	: IN	: Not in use.
pin 9 : NC	: IN	: Not in use.	pin 72 : NC	: IN	: Not in use.
pin 10 : RESET	: -	: Reset signal input.	pin 73 : LD MUTE	: O	: Connected to CD MECHA
pin 11 : XOUT	: -	: Crystal connection.	pin 74 : LD CON	: I/O	: Connected to CD MECHA
pin 12 : VSS	: -	: Negative supply voltage.	pin 75 : TR-A	: IN	: Photo sensor signal input from the CD MECHA.
pin 13 : X IN	: -	: Crystal connection.	pin 76 : TR-B	: IN	: Photo sensor signal input from the CD MECHA.
pin 14 : VCC	: -	: Positive supply voltage.	pin 77 : CHU SW	: IN	: Connected to CD MECHA.
pin 15 : NC	: IN	: Not in use.	pin 78 : SSTOP	: IN	: Connected to CD MECHA.
pin 16 : ACCDET	: IN	: ACC detection signal input.	pin 79 : CD RESET	: O	: The reset pulse output to the CD IC.
pin 17 : B/U DET	: IN	: Backup detection signal input.	pin 80 : CCE	: O	: Chip enable signal output.
pin 18 : KEY INT	: IN	: Key interrupting signal input.	pin 81 : BUCK	: O	: Clock pulse output to the CD IC.
pin 19 : 27P CONE	: IN	: Connected to 27 pin.	pin 82 : BUS3	: I/O	: Communication line with the CD IC.
pin 20 : B/L_ON	: O	: Back light ON signal output.	pin 83 : BUS2	: I/O	: Communication line with the CD IC.
pin 21 : KEY_ILL_REM	: O	: Key illumination ON signal output.	pin 84 : BUS1	: I/O	: Communication line with the CD IC.
pin 22 : BEEP	: O	: Not in use.	pin 85 : BUS0	: I/O	: Communication line with the CD IC.
pin 23 : NC	: IN	: Not in use.	pin 86 : CD 5V	: O	: Power supply control signal output for the CD IC/DAC IC. " H" =ON.
pin 24 : V COLOR-G	: O	: Variable color (GREEN) signal output.	pin 87 : PLL_CLK	: O	: Clock pulse output to the PLL IC.
pin 25 : EVOL DATA	: O	: Serial data output to the E VOL IC.	pin 88 : PLL_S1	: IN	: Serial data input from the PLL IC.
pin 26 : V COLOR-R	: O	: Variable color (RED) signal output.	pin 89 : PLL_SO	: O	: Serial data output to the PLL IC.
pin 27 : IE BUS RX	: IN	: IE Bus serial data input.	pin 90 : PLL_CE	: O	: The chip enable signal output to the PLL IC.
pin 28 : IE BUS TX	: O	: IE Bus serial data output.	pin 91 : RDS_TEST_ST	: O	: Outputting " H" without the test mode.
pin 29 : EMU-TX	: O	: EMULATOR communicate line.	pin 92 : S-METER	: IN	: The input terminal of internal A/D converter to monitor the radio field strength.
pin 30 : EMU-RX	: IN	: EMULATOR communicate line.	pin 93 : NOISE 1	: IN	: Input terminal of internal ADC to sense the RDS-noise-level.
pin 31 : FLASH MODE	: IN	: Connected to GND.	pin 94 : GND	: -	: Connected to GND.
pin 32 : NC	: O	: Not in use.	pin 95 : KEY A/D	: IN	: Input terminal of A/D converter for Key judgment.
pin 33 : EVOL CLK	: O	: Clock pulse output to the E VOL IC.	pin 96 : VREF	: -	: Reference voltage.
pin 34 : A-MAS 2	: O	: Subwoofer output frequency control.	pin 97 : A VDD	: -	: Positive supply voltage for the Analog section.
pin 35 : A-MAS 1	: O	: Subwoofer output frequency control.	pin 98 : MUTE_SPEED_UP	: O	: Station detection speed up command output fo RDS.
pin 36 : DISP DIM	: O	: Not in use.	pin 99 : RDS_MUTE	: O	: RDS mute signal output.
pin 37 : CTRL	: O	: Power IC control.	pin100 : RDS_DCHG	: O	: RDS dis-charge signal output.
pin 38 : SYS ACC	: O	: ACC detect signal output.			
pin 39 : FLASH MODE	: IN	: Connected to GND.			
pin 40 : 5V REM	: O	: 5V power supply ON signal output.			
pin 41 : NC	: O	: Not in use.			
pin 42 : A-REMOUT	: O	: Internal audio amplifier ON signal output.			
pin 43 : PHONE INT	: IN	: Telephone interrupt signal input.			
pin 44 : FLASH MODE	: IN	: Connected to VDD.			
pin 45 : ILL DET	: IN	: Illumination ON signal input.			
pin 46 : AMPMUTE	: O	: Muting signal output to the Audio Power Amplifier.			
pin 47 : SYSMUTE	: O	: System muting signal output.			
pin 48 : NAVIMUTE	: O	: Not in use.			
pin 49 : ZMUTECUT	: O	: Command pulse output to cut the CD zero cross mute signal			
pin 50 : B/L+B	: O	: LCD display control.			
pin 51 : LCD CLK	: O	: Serial data clock output to LCD driver.			
pin 52 : LCD SO	: O	: Serial data output to the LCD driver.			
pin 53 : LCD SI	: IN	: Serial data input from the LCD driver.			
pin 54 : LCD CE	: O	: The chip enable serial output to the LCD driver.			
pin 55 : JOGA(CW)	: IN	: JOG pulse input.			
pin 56 : JOGB(CCW)	: IN	: JOG pulse input.			
pin 57 : INIT1	: IN	: Not in use.			
pin 58 : INIT2	: IN	: Not in use.			
pin 59 : INIT3	: IN	: Model distinguish.			
pin 60 : VDD	: -	: Positive supply voltage.			
pin 61 : INIT4	: IN	: Model distinguish.			
pin 62 : GND	: -	: Connect to GND.			
pin 63 : OFFSETDET	: O	: Speaker distroied protect.			

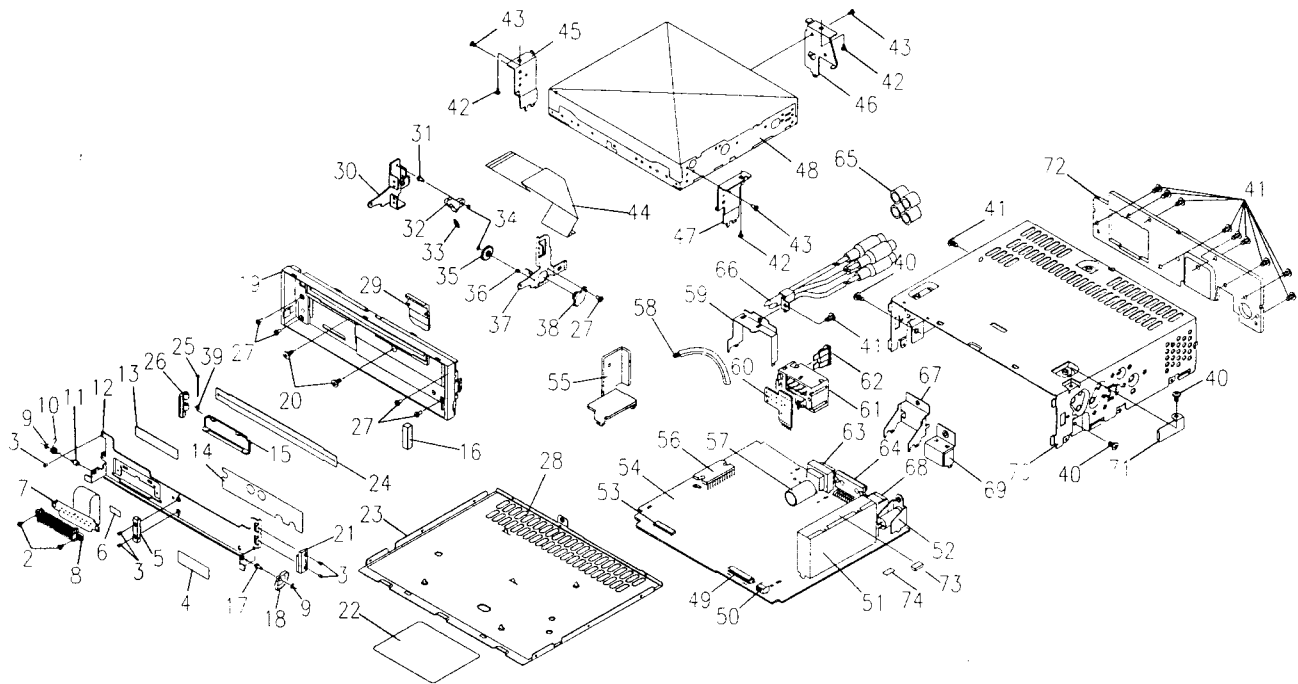
EXPLODED VIEW . PARTS LIST:

DCP Section



NO.	PART NO.	DESCRIPTION	Q'TY	NO.	PART NO.	DESCRIPTION	Q'TY
1	DCP-439-700	DCP ASSY	1	1-31	345-5307-00	CUSHION	2
1-1	373-1001-01	DIAL CVR	1	1-32	382-6650-00	BUTTON	1
1-2	716-3443-01	SPECIAL SCREW	2	1-33	382-6617-00	BUTTON	1
1-3	371-5736-07	FACE PANCEL	1	1-34	335-6900-00	ILLUMI PLATE	1
1-4	347-6980-00	DOUDLE FACE	2	1-35	345-5316-00	CUSHION	2
1-5	347-6979-00	DOUDLE FACE	1	1-36	382-6109-00	BUTTON	1
1-6	347-6978-00	DOUDLE FACE	1	1-37	335-6912-00	ILLUMI PLATE	1
1-7	382-6628-00	BUTTON	1	1-38	716-0872-12	PAD SCREW	4
1-8	750-6720-00	SPRING	1	1-39	335-6899-00	REAR-CVR	1
1-9	370-6030-00	ESCUTCHEON	1	1-40	331-3574-00	LCD-CVR	1
1-10	380-5553-00	KNOB	1	1-41	379-1261-41	INDICATOR	1
1-11	345-5228-00	RUBBER RING	1	1-42	347-6984-00	FILM	1
1-12	380-5555-00	INNER KNOB	1	1-43	347-6985-00	FILM	1
1-13	382-6620-00	BUTTON	1	1-44	335-6880-00	ILLUMI PLATE	1
1-14	347-6988-00	DOUBLE FACE	1	1-45	335-6894-00	LCD HOLDER	1
1-15	331-3576-00	SCREW PLATE	2	1-46	039-2292-00	SWITCH PWB (WITHOUT COMPONENT)	1
1-16	347-6987-00	SURGE FILM	1	1-47	076-0708-02	PLUG	2
1-17	382-6623-00	BUTTON	1	1-48	001-7062-93	DIODE	4
1-18	382-6621-00	BUTTON	1	1-49	001-7040-92	DIODE	2
1-19	382-6622-00	BUTTON	1	1-50	331-3337-00	VR-HOLDER	1
1-20	382-6679-00	BUTTON	1	1-51	347-7016-00	DOUDLE FACE	1
1-21	382-6680-00	BUTTON	1	1-52	016-9900-84	VR W/SHAFT	1
1-22	382-6619-00	BUTTON	1	1-53	001-7071-90	DIODE	4
1-23	347-6981-00	SHADE	3	1-54	013-6312-50	SWITCH	14
1-24	335-6975-00	ILLUMI PLATE	1	1-55	013-6507-50	SWITCH	5
1-25	382-6624-01	BUTTON	1	1-56	051-6066-00	IC	1
1-26	382-6626-00	BUTTON	1	1-57	076-0647-00	PLUG	1
1-27	716-0872-01	PAD SCREW(M1.7x8)	5	1-58	013-6511-50	EJECT SWITCH	1
1-28	382-6618-00	BUTTON	1	1-59	060-4017-90	IR-RECEIVE	1
1-29	382-6616-00	BUTTON	1				
1-30	345-5308-00	CUSHION	2				

Main Section



NO.	PART NO.	DESCRIPTION	Q'TY	NO.	PART NO.	DESCRIPTION	Q'TY
2	716-3444-00	SCREW	2	17	341-1794-00	SHAFT	1
3	738-1722-17	PRECISION SCREW(M1.7x2.2)	5	18	613-0684-00	FAN GEAR	1
4	291-0092-00	STICKER	1	19	370-6025-00	ESCUTCHEON(I)	1
5	335-6502-00	SLIDER	1	20	780-2607-02	M-SCREW(M2.6x7)	2
6	347-6356-00	DOUBLE FACE	1	21	335-6500-01	HOOK	1
7	039-1862-01	FPC	1	22	286-6161-00	SETPLATE	1
8	074-1278-01	OUTLET SOKET	1	23	311-1859-02	LOWER CASE	1
9	743-1500-10	E-RING	2	24	346-0097-00	LEATHER SHEET	1
10	750-3342-21	SPRING	1	25	341-1764-00	SHAFT	1
11	341-1793-00	SHAFT	1	26	335-6501-01	HOOK DCP	1
12	331-3565-00	DCP HOLDER	1	27	780-2004-01	SCREW	5
13	347-7008-00	FPC SUPPORT	1	28	347-6880-00	INSULATOR	1
14	290-7995-00	LABEL	1	29	335-6886-00	ILLUMI PLATE	1
15	335-6499-00	CN-CVR	1	30	331-3564-00	ARM-L	1
16	345-8607-00	CUSHION	1	31	341-1792-00	SHAFT	1

NO.	PART NO.	DESCRIPTION	Q'TY	NO.	PART NO.	DESCRIPTION	Q'TY
32	335-6887-00	HOOK LOCK	1	54	039-2294-00	MAIN PWB (WITHOUT COMPONENT)	1
33	750-3341-00	SPRING	1	55	313-1867-00	HEAT SINK	1
34	746-0761-00	SPECIAL WASHER	2	56	051-3297-10	IC	1
35	613-0683-00	GEAR	1	57	042-0447-00	ALUMI-ELE-C	1
36	341-1685-00	SHAFT	1	58	321-1036-00	CLAMP	1
37	331-3563-00	ARM-R	1	59	331-3562-01	CONNECTOR-HOLD	1
38	613-0730-00	GEAR DAMPER	1	60	039-1400-30	ISO PWB	1
39	750-3454-00	SPRING	1	61	074-1285-00	OUTLET SOCKET	1
40	731-3006-80	TAPTIGHT(M3x6)	3	62	060-0057-57	AUTO FUSE	1
41	714-3006-81	MACHINE SCREW(M3x6)	11	63	009-9006-60	CHOKE	1
42	714-3004-81	MACHINE SCREW(M3x4)	3	64	051-2050-00	IC	1
43	714-2603-80	MACHINE SCREW(M2.6x3)	3	65	345-3799-20	RUBBER PART	4
44	816-2627-50	FALT WIRE	1	66	855-5428-50	RCA-PIN-CORD	1
45	331-3570-00	MECH-SUB-BRKT	1	67	331-3560-01	IC HOLDER	1
46	331-3427-00	MECH BRKT	1	68	074-1194-00	OUTLET SOCKET	1
47	331-3569-00	MECH-SUB-BRKT	1	69	331-3567-00	CONNECTOR HOLD	1
48	929-0221-80	CD-MECH-MODULE	1	70	303-0485-01	UPPER CASE	1
49	074-1237-76	OUTLET SOCKET	1	71	331-2744-00	STOPPER	1
50	013-6103-00	TACT SWITCH	1	72	313-1866-00	HEAT SINK	1
51	880-2090C	TUNER	1	73	345-5312-00	SPECIAL CUSHION	1
52	092-4000-51	ANT-RECEPT	1	74	347-6341-00	E-SHEET	1
53	074-1318-68	OUTLET SOCKET	1				

ELECTRICAL PARTS LIST

Main PWB section (B1)

REF No.	PART No.	DESCRIPTION	REF No.	PART No.	DESCRIPTION	REF No.	PART No.	DESCRIPTION
IC 1	051-6201-90	LC72146M	D 108	001-0466-90	S5688B	C 18	168-2232-55	25V 0.022uF
IC 101	051-2050-00	LA47532	D 109	001-0466-90	S5688B	C 19	168-2232-55	25V 0.022uF
IC 102	051-3297-10	BA4916-V2	D 110	001-0347-41	MA4075M	C 21	182-1073-35	16V 100uF
IC 501	051-5028-90	TDA7409	D 201	001-0466-90	S5688B	C 22	182-4763-35	16V 47uF
IC 502	051-0350-93	NJM4558M	D 202	001-0516-90	MA111	C 23	168-1222-55	50V 1200pF
IC 505	051-5437-08	S-80821CNMC	D 203	001-0592-00	RM4Z	C 24	168-1045-56	50V 0.1uF
IC 507	051-5830-90	UPC5701GR	D 204	001-0466-90	S5688B	C 25	182-1053-67	50V 1uF
IC 601	052-3928-00	M30624MGA-156GP	D 205	001-0516-90	MA111	C 26	168-8222-55	50V 8200pF
IC 602	051-6600-38	CA0008AM	D 221	001-0516-90	MA111	C 27	182-4763-19	6.3V 47uF
IC 801	051-0350-93	NJM4558M	D 225	001-0466-91	S5688G	C 28	168-1032-55	50V 0.01uF
IC 802	051-4607-90	SAA6581T	D 501	001-0516-90	MA111	C 29	166-1011-50	50V 100pF
Q 1	125-4012-90	KTD1304	D 502	001-0516-90	MA111	C 30	166-1011-50	50V 100pF
Q 2	125-0199-93	KRA103S	D 503	001-0347-23	MA4043M	C 31	166-3311-50	50V 330pF
Q 3	125-2199-93	KRC103S	D 601	001-7062-90	DIODE	C 32	166-1501-50	50V 15pF
Q 4	125-3004-90	KTA1504S	D 603	001-0516-90	MA111	C 33	166-1801-50	50V 18pF
Q 5	125-3004-90	KTA1504S	D 606	001-0516-90	MA111	C 36	168-1032-55	50V 0.01uF
Q 6	198-0669-00	2SK669	D 610	001-0516-90	MA111	C 41	168-1022-55	50V 1000pF
Q 210	125-0200-96	KRA226S	D 611	001-0516-90	MA111	C 42	166-1011-50	50V 100pF
Q 211	125-2199-96	KRC106S	D 801	001-0516-90	MA111	C 44	166-1011-50	50V 100pF
Q 227	193-1802-61	2SD1802	D 802	001-0516-90	MA111	C 102	178-2242-78	25V 0.22uF
Q 228	125-4011-90	KTD863	L 1	010-2003-04	COIL	C 103	178-2242-78	25V 0.22uF
Q 452	125-4012-90	KTD1304	L 2	010-2230-88	220uH	C 104	178-2242-78	25V 0.22uF
Q 453	125-4012-90	KTD1304	L 3	010-2285-56	BLM21B222S	C 105	178-2242-78	25V 0.22uF
Q 454	125-4012-90	KTD1304	L 4	010-2285-56	BLM21B222S	C 106	182-4763-39	16V 47uF
Q 455	125-4012-90	KTD1304	L 401	010-2285-56	BLM21B222S	C 107	182-2263-37	16V 22uF
Q 456	125-4012-90	KTD1304	L 402	010-2285-56	BLM21B222S	C 108	172-2231-15	50V 0.022uF
Q 457	125-4012-90	KTD1304	L 403	010-2285-56	BLM21B222S	C 109	182-2253-67	50V 2.2uF
Q 501	125-2199-96	KRC106S	L 404	010-2285-56	BLM21B222S	C 118	166-1011-50	50V 100pF
Q 502	125-0199-96	KRA106S	L 500	010-2230-88	220uH	C 119	166-1011-50	50V 100pF
Q 503	125-4010-90	KTC3875S	L 601	010-3100-66	2.2uH	C 120	166-4711-50	50V 470pF
Q 505	125-3005-90	KTA1273	L 602	010-3100-66	2.2uH	C 121	166-4711-50	50V 470pF
Q 506	125-2199-96	KRC106S	L 603	010-3100-66	2.2uH	C 122	166-4711-50	50V 470pF
Q 507	125-2199-93	KRC103S	L 604	010-3100-66	2.2uH	C 123	166-4711-50	50V 470pF
Q 508	125-0199-96	KRA106S	L 605	010-3100-66	2.2uH	C 124	166-4711-50	50V 470pF
Q 602	125-2199-93	KRC103S	L 801	010-2230-88	220uH	C 125	166-4711-50	50V 470pF
Q 603	125-3004-90	KTA1504S	X 1	061-1066-00	7.2MHZ	C 126	166-4711-50	50V 470pF
Q 604	125-3004-90	KTA1504S	X 601	060-1505-50	10MHZ	C 127	166-4711-50	50V 470pF
Q 606	125-2199-93	KRC103S	X 801	061-3013-00	4.33MHZ	C 128	166-1011-50	50V 100pF
Q 607	125-0199-96	KRA106S	C 1	166-2096-50	50V 2pF	C 129	166-1011-50	50V 100pF
Q 609	125-3007-90	KTA1298	C 2	166-2201-50	50V 22pF	C 130	172-3331-15	50V 0.033uF
Q 610	125-2199-93	KRC103S	C 3	166-2201-50	50V 22pF	C 131	172-3331-15	50V 0.033uF
Q 611	125-3004-90	KTA1504S	C 4	168-1032-55	50V 0.01uF	C 132	172-3331-15	50V 0.033uF
Q 612	125-4010-90	KTC3875S	C 5	168-2232-55	25V 0.022uF	C 133	172-3331-15	50V 0.033uF
Q 620	125-2199-93	KRC103S	C 6	168-2232-55	25V 0.022uF	C 134	172-3331-15	50V 0.033uF
Q 801	125-2199-92	KRC102S	C 8	182-4753-57	35V 4.7uF	C 135	172-3331-15	50V 0.033uF
D 102	001-0466-90	S5688B	C 9	168-1032-55	50V 0.01uF	C 136	172-3331-15	50V 0.033uF
D 103	001-0466-90	S5688B	C 10	168-1022-55	50V 1000pF	C 137	172-3331-15	50V 0.033uF
D 104	001-0466-90	S5688B	C 11	182-1053-67	50V 1uF	C 140	182-2256-55	35V 2.2uF
D 105	001-0466-90	S5688B	C 12	168-3332-78	25V 0.033uF	C 141	182-2256-55	35V 2.2uF
D 106	001-0466-90	S5688B	C 13	168-1832-55	25V 0.018uF	C 142	182-2256-55	35V 2.2uF
D 107	001-0466-90	S5688B	C 14	168-1832-55	25V 0.018uF	C 143	182-2256-55	35V 2.2uF
			C 17	182-4763-35	16V 47uF	C 210	182-2263-17	6.3V 22uF

REF No.	PART No.	DESCRIPTION	REF No.	PART No.	DESCRIPTION	REF No.	PART No.	DESCRIPTION
C 214	042-0447-00	16V 2200uF	C 618	166-1011-50	50V 100pF	R 135	116-2291-15	1/4WS 2.2ohm
C 222	182-4763-39	16V 47uF	C 622	166-1011-50	50V 100pF	R 136	116-2291-15	1/4WS 2.2ohm
C 223	172-2231-15	50V 0.022uF	C 624	166-1011-50	50V 100pF	R 137	116-2291-15	1/4WS 2.2ohm
C 224	182-2263-37	16V 22uF	C 625	166-1011-50	50V 100pF	R 204	119-3321-15	1/16W 3.3Kohm
C 225	182-1073-39	16V 100uF	C 801	168-2232-55	25V 0.022uF	R 205	119-1831-15	1/16W 18Kohm
C 227	182-1063-37	16V 10uF	C 802	166-8211-50	50V 820pF	R 207	119-1231-15	1/16W 12Kohm
C 228	182-4763-39	16V 47uF	C 803	166-6811-50	50V 680pF	R 208	119-1011-15	1/16W 100ohm
C 229	182-1063-37	16V 10uF	C 804	168-1032-55	50V 0.01uF	R 209	119-3311-15	1/16W 330ohm
C 230	173-1021-18	50V 1000pF	C 805	168-2232-55	25V 0.022uF	R 210	119-1031-15	1/16W 10Kohm
C 243	182-1073-29	10V 100uF	C 806	182-2253-67	50V 2.2uF	R 211	119-2741-15	1/16W 270Kohm
C 244	182-1073-17	6.3V 100uF	C 807	166-3311-50	50V 330pF	R 252	116-1521-15	1/4WS 1.5Kohm
C 245	168-1032-55	50V 0.01uF	C 808	166-4701-50	50V 47pF	R 470	119-4721-15	1/16W 4.7Kohm
C 246	168-1032-55	50V 0.01uF	C 809	166-5601-50	50V 56pF	R 471	119-4721-15	1/16W 4.7Kohm
C 458	182-2263-17	6.3V 22uF	C 810	166-5611-50	50V 560pF	R 472	119-4721-15	1/16W 4.7Kohm
C 459	182-2263-17	6.3V 22uF	C 811	182-4763-17	6.3V 47uF	R 473	119-4721-15	1/16W 4.7Kohm
C 460	182-2263-17	6.3V 22uF	C 812	168-1045-56	25V 0.1uF	R 474	119-2231-15	1/16W 22Kohm
C 461	182-2263-17	6.3V 22uF	R 3	119-2221-15	1/16W 2.2Kohm	R 475	119-2231-15	1/16W 22Kohm
C 462	182-2263-17	6.3V 22uF	R 4	119-1021-15	1/16W 1Kohm	R 476	119-3311-15	1/16W 330ohm
C 463	182-2263-17	6.3V 22uF	R 5	119-3311-15	1/16W 330ohm	R 477	119-3311-15	1/16W 330ohm
C 500	182-1053-67	50V 1uF	R 6	119-4721-15	1/16W 4.7Kohm	R 478	119-3311-15	1/16W 330ohm
C 501	182-1053-67	50V 1uF	R 7	119-5621-15	1/16W 5.6Kohm	R 479	119-3311-15	1/16W 330ohm
C 502	182-1053-67	50V 1uF	R 8	119-1021-15	1/16W 1Kohm	R 480	119-1021-15	1/16W 1Kohm
C 503	182-1053-67	50V 1uF	R 9	119-1031-15	1/16W 10Kohm	R 481	119-1021-15	1/16W 1Kohm
C 504	182-1063-37	16V 10uF	R 10	116-3311-15	1/4WS 330ohm	R 482	119-1021-15	1/16W 1Kohm
C 505	182-1063-37	16V 10uF	R 11	119-1031-15	1/16W 10Kohm	R 490	119-3311-15	1/16W 330ohm
C 506	182-1063-37	16V 10uF	R 12	119-2221-15	1/16W 2.2Kohm	R 491	119-3311-15	1/16W 330ohm
C 507	182-1063-37	16V 10uF	R 13	119-5631-15	1/16W 56Kohm	R 501	032-0140-58	1/10W 51Kohm(F)
C 512	182-4763-19	16V 10uF	R 14	119-1031-15	1/16W 10Kohm	R 502	032-0140-58	1/10W 51Kohm(F)
C 514	182-1063-37	16V 10uF	R 15	119-1031-15	1/16W 10Kohm	R 503	032-0140-58	1/10W 51Kohm(F)
C 515	182-4763-39	16V 10uF	R 16	119-1231-15	1/16W 12Kohm	R 504	032-0140-58	1/10W 51Kohm(F)
C 516	168-1045-56	25V 0.1uF	R 17	119-5631-15	1/16W 56Kohm	R 505	032-0140-51	1/10W 15Kohm(F)
C 517	168-4722-55	50V 4700pF	R 18	119-1521-15	1/16W 1.5Kohm	R 506	032-0140-51	1/10W 15Kohm(F)
C 518	168-4722-55	50V 4700pF	R 19	119-1521-15	1/16W 1.5Kohm	R 507	032-0140-51	1/10W 15Kohm(F)
C 519	182-1053-67	50V 1uF	R 20	119-1021-15	1/16W 1Kohm	R 508	032-0140-51	1/10W 15Kohm(F)
C 520	182-1053-67	50V 1uF	R 21	119-2711-15	1/16W 270ohm	R 509	119-3311-15	1/16W 330ohm
C 534	168-1032-55	50V 0.01uF	R 22	119-1041-15	1/16W 100Kohm	R 530	119-3931-15	1/16W 39Kohm
C 535	168-1032-55	50V 0.01uF	R 23	119-1031-15	1/16W 10Kohm	R 531	119-4721-15	1/16W 4.7Kohm
C 536	168-1032-55	50V 0.01uF	R 24	119-1021-15	1/16W 1Kohm	R 532	119-4721-15	1/16W 4.7Kohm
C 537	168-1032-55	50V 0.01uF	R 25	119-1021-15	1/16W 1Kohm	R 537	119-8221-15	1/16W 8.2Kohm
C 538	182-1073-29	10V 100uF	R 26	119-8211-15	1/16W 820ohm	R 538	119-3321-15	1/16W 3.3Kohm
C 541	184-2273-22	10V 220uF	R 101	119-1231-15	1/16W 12Kohm	R 540	119-2231-15	1/16W 22Kohm
C 542	168-1045-56	25V 0.1uF	R 102	119-1031-15	1/16W 10Kohm	R 541	119-1021-15	1/16W 1Kohm
C 543	166-1011-50	50V 100pF	R 105	119-1021-15	1/16W 1Kohm	R 551	119-4721-15	1/16W 4.7Kohm
C 544	166-1011-50	50V 100pF	R 106	119-3311-15	1/16W 330ohm	R 553	119-4721-15	1/16W 4.7Kohm
C 545	166-1011-50	50V 100pF	R 107	119-3311-15	1/16W 330ohm	R 554	119-1011-15	1/16W 100ohm
C 546	166-1011-50	50V 100pF	R 108	119-3311-15	1/16W 330ohm	R 555	119-1011-15	1/16W 100ohm
C 601	042-0650-00	5.5V 0.1F	R 109	119-3311-15	1/16W 330ohm	R 556	119-1011-15	1/16W 100ohm
C 612	168-4732-78	25V 0.047uF	R 130	116-2291-15	1/4WS 2.2ohm	R 557	119-1011-15	1/16W 100ohm
C 614	168-1032-55	50V 0.01uF	R 131	116-2291-15	1/4WS 2.2ohm	R 601	119-2711-15	1/16W 270ohm
C 615	042-0577-00	6.3V 100uF	R 132	116-2291-15	1/4WS 2.2ohm	R 603	116-6801-15	1/4WS 68ohm
C 616	183-1063-37	16V 10uF	R 133	116-2291-15	1/4WS 2.2ohm	R 604	119-3321-15	1/16W 3.3Kohm
C 617	182-2263-37	16V 22uF	R 134	116-2291-15	1/4WS 2.2ohm	R 607	119-2231-15	1/16W 22Kohm

REF No.	PART No.	DESCRIPTION
R 608	119-1031-15	1/16W 10Kohm
R 609	119-4731-15	1/16W 47Kohm
R 610	119-4721-15	1/16W 4.7Kohm
R 611	119-1041-15	1/16W 100Kohm
R 612	119-1041-15	1/16W 100Kohm
R 613	119-4731-15	1/16W 47Kohm
R 614	119-4731-15	1/16W 47Kohm
R 615	119-1031-15	1/16W 10Kohm
R 616	119-4711-15	1/16W 470ohm
R 619	119-3311-15	1/16W 330ohm
R 620	119-1031-15	1/16W 10Kohm
R 621	116-1221-15	1/4WS 1.2Kohm
R 623	119-1521-15	1/16W 1.5Kohm
R 634	119-1031-15	1/16W 10Kohm
R 635	119-1221-15	1/16W 1.2Kohm
R 642	119-1031-15	1/16W 10Kohm
R 643	119-5621-15	1/16W 5.6Kohm

REF No.	PART No.	DESCRIPTION
R 652	119-1811-15	1/16W 180ohm
R 653	119-1811-15	1/16W 180ohm
R 654	119-1811-15	1/16W 180ohm
R 657	119-1811-15	1/16W 180ohm
R 658	119-1521-15	1/16W 1.5Kohm
R 659	119-4731-15	1/16W 47Kohm
R 660	119-1531-15	1/16W 15Kohm
R 661	119-4731-15	1/16W 47Kohm
R 662	119-2221-15	1/16W 2.2Kohm
R 663	119-1031-15	1/16W 10Kohm
R 664	119-2221-15	1/16W 2.2Kohm
R 665	119-1021-15	1/16W 1Kohm
R 666	119-1021-15	1/16W 1Kohm
R 670	119-4731-15	1/16W 47Kohm
R 690	119-4721-15	1/16W 4.7Kohm
R 691	119-4721-15	1/16W 4.7Kohm
R 697	119-1031-15	1/16W 10Kohm

REF No.	PART No.	DESCRIPTION
R 698	119-1021-15	1/16W 1Kohm
R 699	119-1021-15	1/16W 1Kohm
R 801	119-3331-15	1/16W 33Kohm
R 802	119-1031-15	1/16W 10Kohm
R 803	119-1041-15	1/16W 100Kohm
R 804	119-2211-15	1/16W 220ohm
R 805	119-1231-15	1/16W 12Kohm
R 806	119-3321-15	1/16W 3.3Kohm
SUP 1	060-0122-91	DSP141N
J 601	074-1194-00	OUTLET SOCKET
J 602	074-1237-76	OUTLET SOCKET
J 603	074-1318-68	OUTLET SOCKET
S 601	013-6103-00	SWITCH
T 101	009-9006-60	CHOKE
VR 101	012-4431-13	470Kohm

Switch PWB section (B2)

REF No.	PART No.	DESCRIPTION
C 701	051-6066-00	NJU6535
Q 701	125-3004-90	KTA1504S
Q 702	125-4010-90	KTC3875S
Q 703	125-4010-90	KTC3875S
Q 704	125-4010-90	KTC3875S
Q 705	125-4010-90	KTC3875S
Q 706	125-3004-90	KTA1504S
D 701	001-7062-93	DIODE
D 702	001-7062-93	DIODE
D 703	001-7062-93	DIODE
D 704	001-7062-93	DIODE
D 705	001-7040-92	DIODE
D 706	001-7040-92	DIODE
D 709	001-7071-90	DIODE
D 710	001-7071-90	DIODE
D 711	001-7071-90	DIODE
D 712	001-7071-90	DIODE
D 716	001-0529-41	MA8075M
D 717	001-0529-41	MA8075M
D 718	001-0529-41	MA8075M
D 719	001-0529-41	MA8075M
D 720	001-0529-29	MA8051M
D 701	168-4732-78	25V 0.047uF
D 702	168-4732-78	25V 0.047uF
D 703	168-4732-78	25V 0.047uF
D 704	042-0416-52	10V 10uF TAN
D 705	042-0416-52	10V 10uF TAN

REF No.	PART No.	DESCRIPTION
R 702	119-1011-15	1/16W 100ohm
R 703	119-1021-15	1/16W 1Kohm
R 704	119-3311-15	1/16W 330ohm
R 705	119-1041-15	1/16W 100Kohm
R 706	119-3921-15	1/16W 3.9Kohm
R 707	119-1811-15	1/16W 180ohm
R 708	119-1811-15	1/16W 180ohm
R 709	119-1211-15	1/16W 120ohm
R 711	119-3911-15	1/16W 390ohm
R 712	119-3911-15	1/16W 390ohm
R 713	119-1011-15	1/16W 100ohm
R 714	119-1011-15	1/16W 100ohm
R 715	119-2221-15	1/16W 2.2ohm
R 716	119-1031-15	1/16W 10Kohm
R 717	119-4711-15	1/16W 470ohm
R 719	119-1031-15	1/16W 10Kohm
R 720	119-1031-15	1/16W 10Kohm
R 721	119-2221-15	1/16W 2.2Kohm
R 722	119-1031-15	1/16W 10Kohm
R 723	119-2221-15	1/16W 2.2Kohm
R 724	119-1031-15	1/16W 10Kohm
R 725	119-1031-15	1/16W 10Kohm
R 726	119-1031-15	1/16W 10Kohm
R 727	119-1031-15	1/16W 10Kohm
R 728	119-2221-15	1/16W 2.2Kohm
R 729	119-1021-15	1/16W 1Kohm
R 730	119-1021-15	1/16W 1Kohm

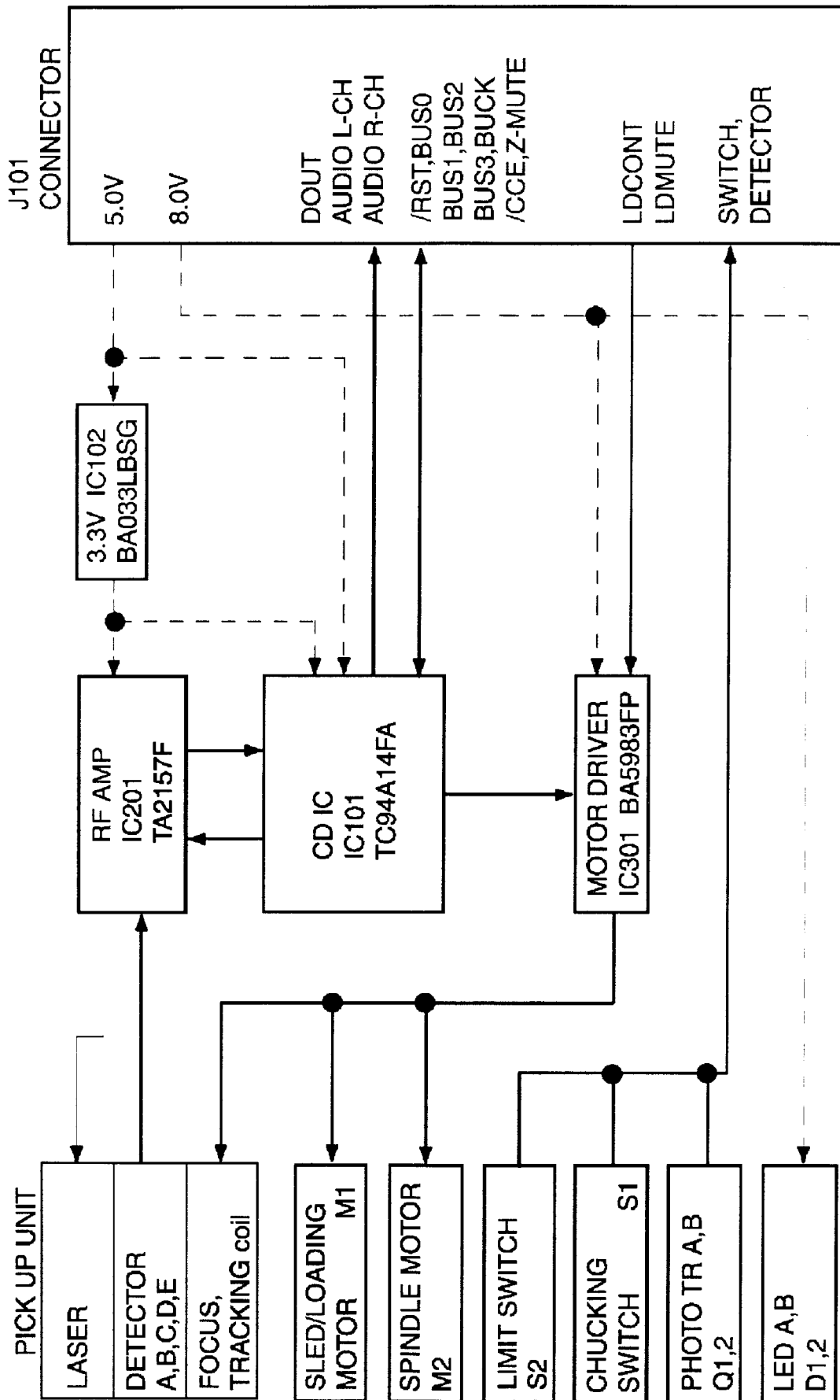
REF No.	PART No.	DESCRIPTION
R 731	119-1021-15	1/16W 1Kohm
R 732	119-1021-15	1/16W 1Kohm
VR 720	016-9900-84	SHAFT
CN 701	076-0647-00	PLUG
S 701	013-6312-50	SWITCH
S 702	013-6312-50	SWITCH
S 703	013-6312-50	SWITCH
S 704	013-6312-50	SWITCH
S 705	013-6312-50	SWITCH
S 706	013-6507-50	LUMI SWITCH
S 707	013-6312-50	SWITCH
S 708	013-6312-50	SWITCH
S 709	013-6507-50	LUMI SWITCH
S 710	013-6507-50	LUMI SWITCH
S 711	013-6312-50	SWITCH
S 712	013-6507-50	LUMI SWITCH
S 714	013-6312-50	SWITCH
S 715	013-6507-50	LUMI SWITCH
S 716	013-6312-50	SWITCH
S 718	013-6312-50	SWITCH
S 719	013-6312-50	SWITCH
S 720	013-6312-50	SWITCH
S 721	013-6511-50	LUMI SWITCH
S 722	013-6312-50	SWITCH
IR 701	060-4017-90	IR-RECIEVER

30 PWB section (B3)

REF No.	PART No.	DESCRIPTION
903	074-1285-00	ISO
USE	060-0057-57	15A

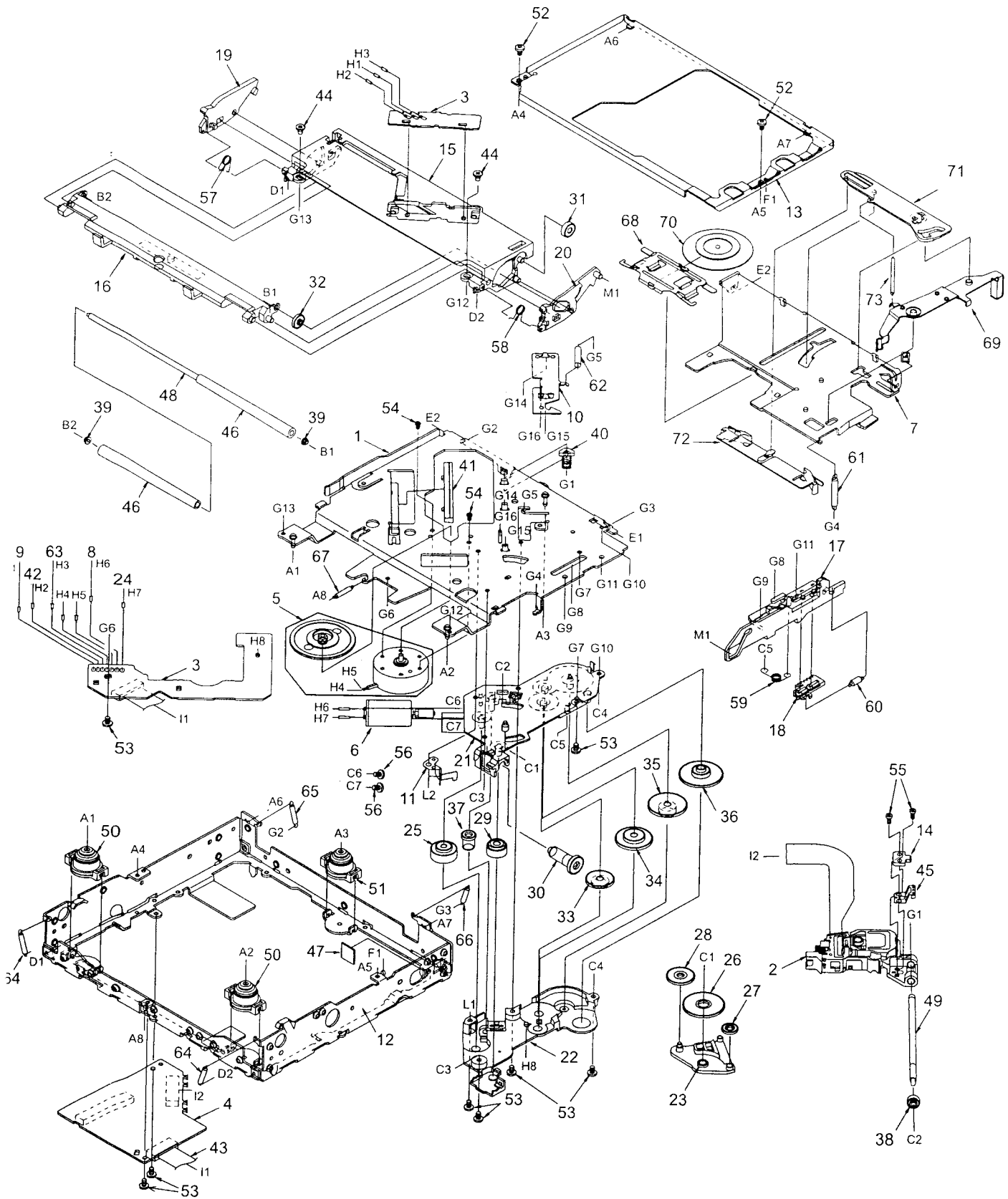
BLOCK DIAGRAM

CD mechanism section 929-0221-80



EXPLODED VIEW:

CD mechanism section 929-0221-80



PARTS LIST:

CD mechanism section 929-0221-80

NO.	PARTS NO.	DESCRIPTION	QTY	NO.	PARTS NO.	DESCRIPTION	QTY
1	966-0595-25	DRIVE PLATE ASSY	1	37	621-0620-20	THREAD GEAR A	1
2	969-0065-30	PICK UP UNIT	1	38	621-0621-20	THREAD GEAR B	1
3	039-1944-21	LED PWB (WITHOUT COMPONENT)	1	39	621-0622-21	ROLLER SLEEVE	2
4	039-1945-20	CD PWB (WITHOUT COMPONENT)	1	40	621-0623-22	LS-HOLDER	1
5	SMA-182-100	MOTOR ASSY(SPINDELE)	1	41	621-0624-22	GUIDE RAIL	1
6	SMA-183-100	MOTOR ASSY(SLED)	1	42	816-2593-00	LEAD WIRE(PUR)	1
7	620-1022-24	CLAMPER LINK	1	43	816-2542-01	FLAT WIRE(10P)	1
8	803-4906-60	VINYL COAT WIRE(ORG)	1	44	716-3473-00	SCREW	2
9	816-2591-00	LEAD WIRE(YEL)	1	45	621-0709-20	SH-BASE	1
10	620-1025-22	ID-LOCK PLATE	1	46	621-0629-20	LOADING ROLLER	2
11	620-1026-21	SPRING PLATE	1	47	345-8704-20	CUSHION RUBBER	1
12	620-1027-25	LOWER CHASSIS	1	48	622-1571-21	ROLLER SHAFT	1
13	620-1028-22	UPPER CHASSIS	1	49	624-0018-01	LEAD SCREW	1
14	966-0638-20	SH-RACK-ASSY	1	50	629-0081-20	DAMPER F	2
15	621-0598-26	UPPER GUIDE	1	51	629-0082-20	DAMPER R	1
16	621-0599-25	ROLLER GUIDE	1	52	714-2003-81	MACHINE SCREW	2
17	621-0600-25	SHIFT LEVER	1	53	716-1507-00	SCREW	8
18	621-0601-21	RACK	1	54	716-1733-00	SCREW	2
19	621-0602-22	LOCK ARM(L)	1	55	716-3469-00	SCREW	2
20	621-0603-25	LOCK ARM(R)	1	56	716-3446-00	SCREW	2
21	621-0604-22	GEAR BASE	1	57	750-3465-21	ROLLER SPRING(L)	1
22	621-0605-22	GEAR COVER	1	58	750-3466-20	ROLLER SPRING(R)	1
23	621-0606-21	IDLE CASE	1	59	750-3467-21	SHIFT SPRING	1
24	816-2590-00	VINYL COAT WIRE(GRN)	1	60	750-3468-20	RACK SPRING	1
25	621-0608-21	SECOND GEAR	1	61	750-3469-20	CLAMPER SPRING	1
26	621-0609-20	BASE GEAR	1	62	750-3470-20	ID-LOCK SPRING	1
27	621-0610-20	IDLE GEAR A	1	63	816-2592-00	LEAD WIRE(BLU)	1
28	621-0611-20	IDLE GEAR B	1	64	750-3472-21	DR-SPRING F	2
29	621-0612-21	ROLLER GEAR A	1	65	750-3473-20	DR-SPRING RA	1
30	621-0613-20	ROLLER GEAR B	1	66	750-3474-20	DR-SPRING RB	1
31	621-0614-20	ROLLER GEAR C	1	67	750-3475-21	DR-SPRING C	1
32	621-0615-21	ROLLER GEAR D	1	68	620-1023-23	CLAMPER PLATE	1
33	621-0616-20	POWER GEAR A	1	69	620-1024-23	SENSOR ARM	1
34	621-0617-20	POWER GEAR B	1	70	621-0708-20	CLAMPER RING	1
35	621-0618-20	POWER GEAR C	1	71	621-0626-21	STOPPER LINK	1
36	621-0619-20	POWER GEAR D	1	72	621-0627-21	DISC STOPPER	1
				73	750-3471-20	SENSOR SPRING	1

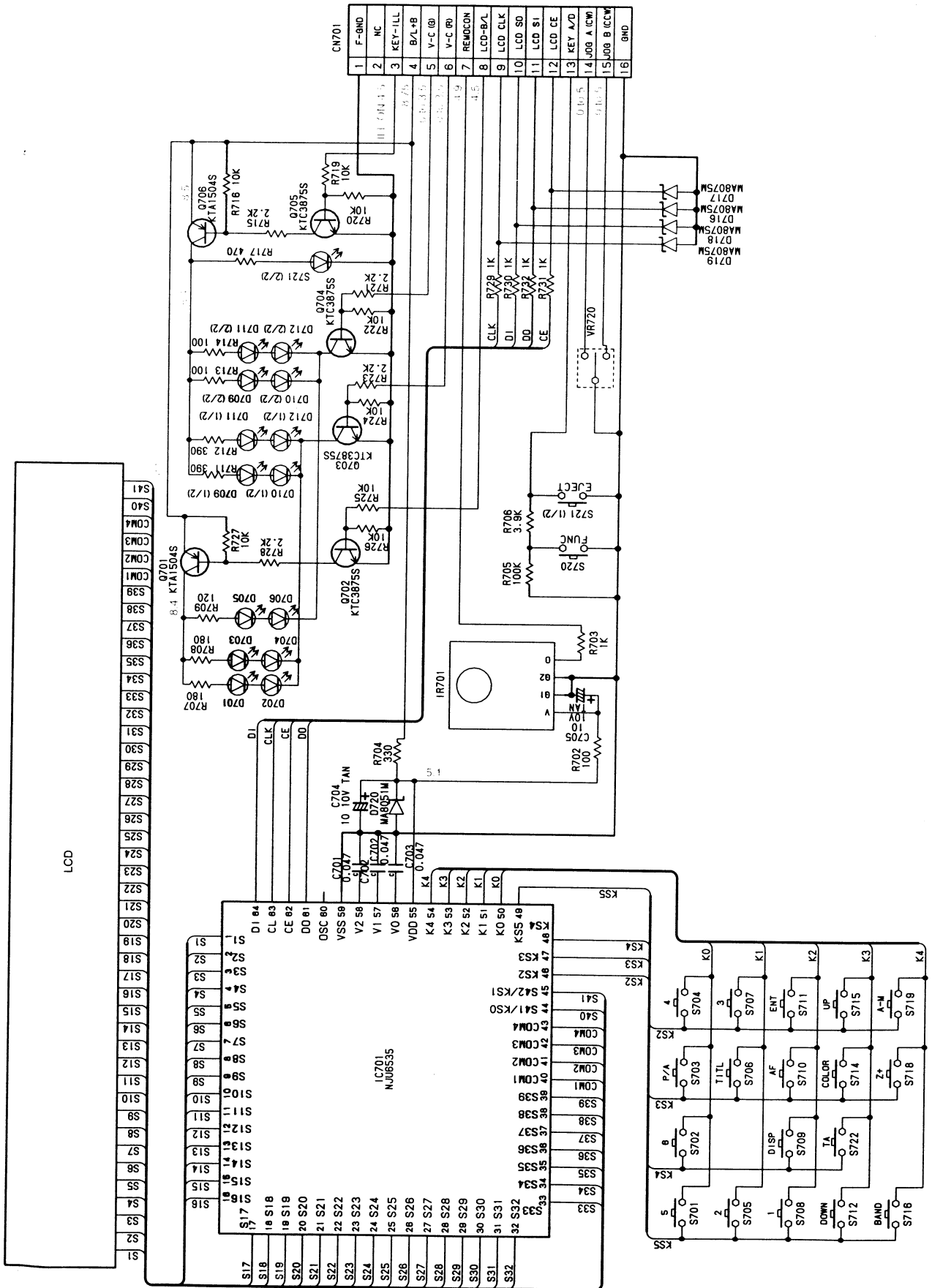
ELECTRICAL PARTS LIST :

CD mechanism section 929-0221-80

REF No.	PART No.	DESCRIPTION	REF No.	PART No.	DESCRIPTION	REF No.	PART No.	DESCRIPTION
C 101	168-1042-78	0.1uF	C 209	168-1042-78	0.1uF	R 115	033-2211-15	1/16W 220 ohm
C 102	045-4701-50	47pF	C 210	043-0533-50	0.047uF	R 116	033-1031-15	1/16W 10k ohm
C 103	046-4722-58	4700pF	C 211	168-1042-78	0.1uF	R 117	033-1021-15	1/16W 1k ohm
C 104	168-1042-78	0.1uF	C 212	168-1042-78	0.1uF	R 131	033-4711-15	1/16W 470 ohm
C 105	046-1532-78	0.015uF	C 213	045-5096-50	5pF	R 132	033-2211-15	1/16W 220 ohm
C 106	046-1032-78	0.01uF	C 214	045-5601-50	56pF	R 201	117-2201-15	1/10W 22 ohm
C 107	046-1032-78	0.01uF	C 215	043-0533-50	0.047uF	R 202	117-2201-15	1/10W 22 ohm
C 108	046-4722-58	4700pF	C 216	178-1052-78	1uF	R 203	033-1041-15	1/16W 100k ohm
C 109	046-1522-58	1500pF	C 217	045-1011-50	100pF	R 204	033-1041-15	1/16W 100k ohm
C 110	046-3332-78	0.033uF	C 301	163-1073-35	16V 100uF	R 205	033-1541-15	1/16W 150k ohm
C 111	168-1042-78	0.1uF	C 302	168-1042-78	0.1uF	R 206	033-1541-15	1/16W 150k ohm
C 112	046-3332-78	0.033uF	C 303	043-0533-50	0.047uF	R 207	033-1041-15	1/16W 100k ohm
C 113	168-1042-78	0.1uF	D 201	001-0516-90	MA111	R 208	033-8231-15	1/16W 82k ohm
C 114	168-1042-78	0.1uF	IC 101	051-6376-00	TC94A14FA	R 209	033-6811-15	1/16W 680 ohm
C 115	046-4712-58	470pF	IC 102	051-3279-90	BA033LBSG	R 210	033-6831-15	1/16W 68k ohm
C 116	046-4712-58	470pF	IC 201	051-5710-90	TA2157F	R 211	033-1831-15	1/16W 18k ohm
C 117	043-0533-50	0.047uF	IC 301	051-6049-08	BA5983FP-E2	R 212	033-2721-15	1/16W 2.7k ohm
C 118	043-0533-50	0.047uF	J 101	074-1228-76	26P	R 213	033-1011-15	1/16W 100 ohm
C 119	045-2701-50	27pF	J 201	074-1138-65	15P	R 214	033-1021-15	1/16W 1k ohm
C 120	045-1801-50	18pF	J 301	074-1138-60	10P	R 215	033-1031-15	1/16W 10k ohm
C 121	163-1063-35	16V 10uF	L 101	010-2285-57	BLM21B102SPT	R 217	033-1041-15	1/16W 100k ohm
C 122	178-1052-78	1uF	L 102	010-2285-57	BLM21B102SPT	R 218	033-2211-15	1/16W 220 ohm
C 123	046-1032-78	0.01uF	L 103	010-2285-57	BLM21B102SPT	R 301	117-6811-15	1/16W 680 ohm
C 124	163-1073-05	4V 100uF	L 104	010-2285-57	BLM21B102SPT	R 304	033-3921-15	1/16W 3.9k ohm
C 125	168-1042-78	0.1uF	L 105	010-2285-57	BLM21B102SPT	R 305	033-3921-15	1/16W 3.9k ohm
C 126	168-1042-78	0.1uF	L 401	010-3050-93	10uH	R 306	033-1041-15	1/16W 100k ohm
C 129	178-1052-78	1uF	Q 201	131-1188-50	2SB1188	R 307	033-2211-15	1/16W 220 ohm
C 201	163-3363-05	4V 33uF	R 102	033-5621-15	1/16W 5.6k ohm	X 102	060-1528-90	16.934M
C 202	168-1042-78	0.1uF	R 104	033-4731-15	1/16W 47k ohm	D 1	001-7058-90	AN1105W-RR
C 203	178-1052-78	1uF	R 105	033-1041-15	1/16W 100k ohm	D 2	001-7058-90	AN1105W-RR
C 204	163-1073-05	4V 100uF	R 108	033-1531-15	1/16W 15k ohm	J 1	074-1138-60	10P
C 205	163-3363-05	4V 33uF	R 109	033-1031-15	1/16W 10k ohm	Q 1	060-4015-90	PS1192H
C 206	168-1042-78	0.1uF	R 110	033-1051-15	1/16W 1M ohm	Q 2	060-4015-90	PS1192H
C 207	043-0533-50	0.047uF	R 111	033-3321-15	1/16W 3.3k ohm	S 1	013-7414-50	CHUCKING
C 208	046-6822-58	6800pF	R 114	033-2211-15	1/16W 220 ohm	S 2	013-7413-50	LIMIT

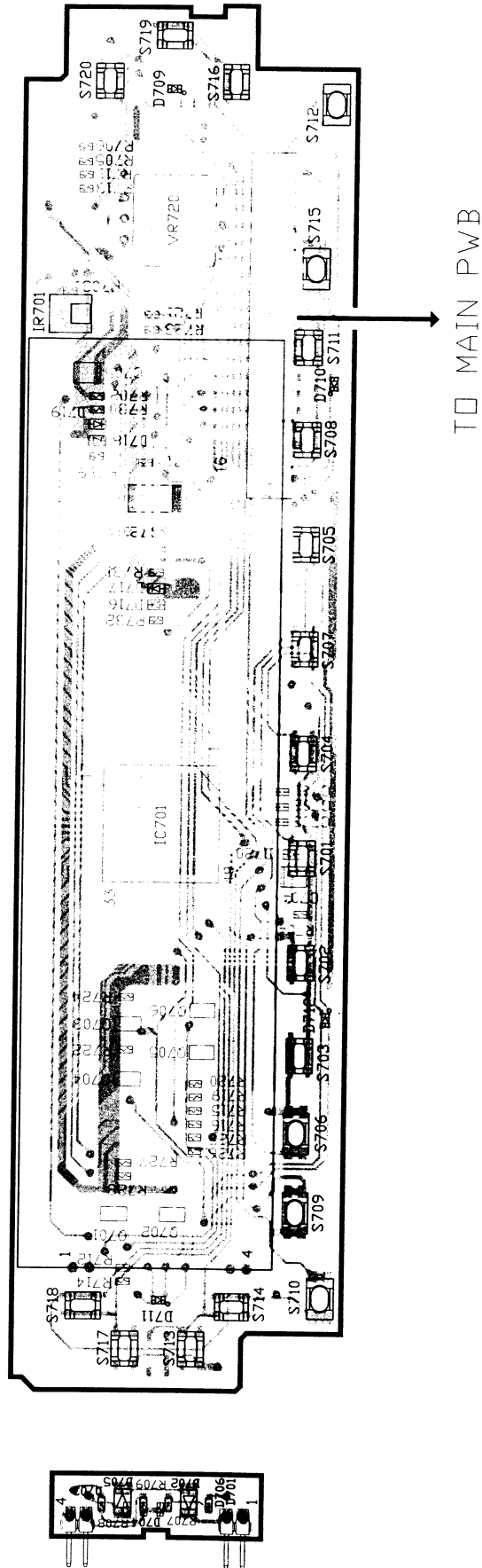
CIRCUIT DIAGRAM: Switch PWB (B2) section

4.1
B-BLOCK FUNCTION:
OBJECT



PRINTED WIRING BOARD :

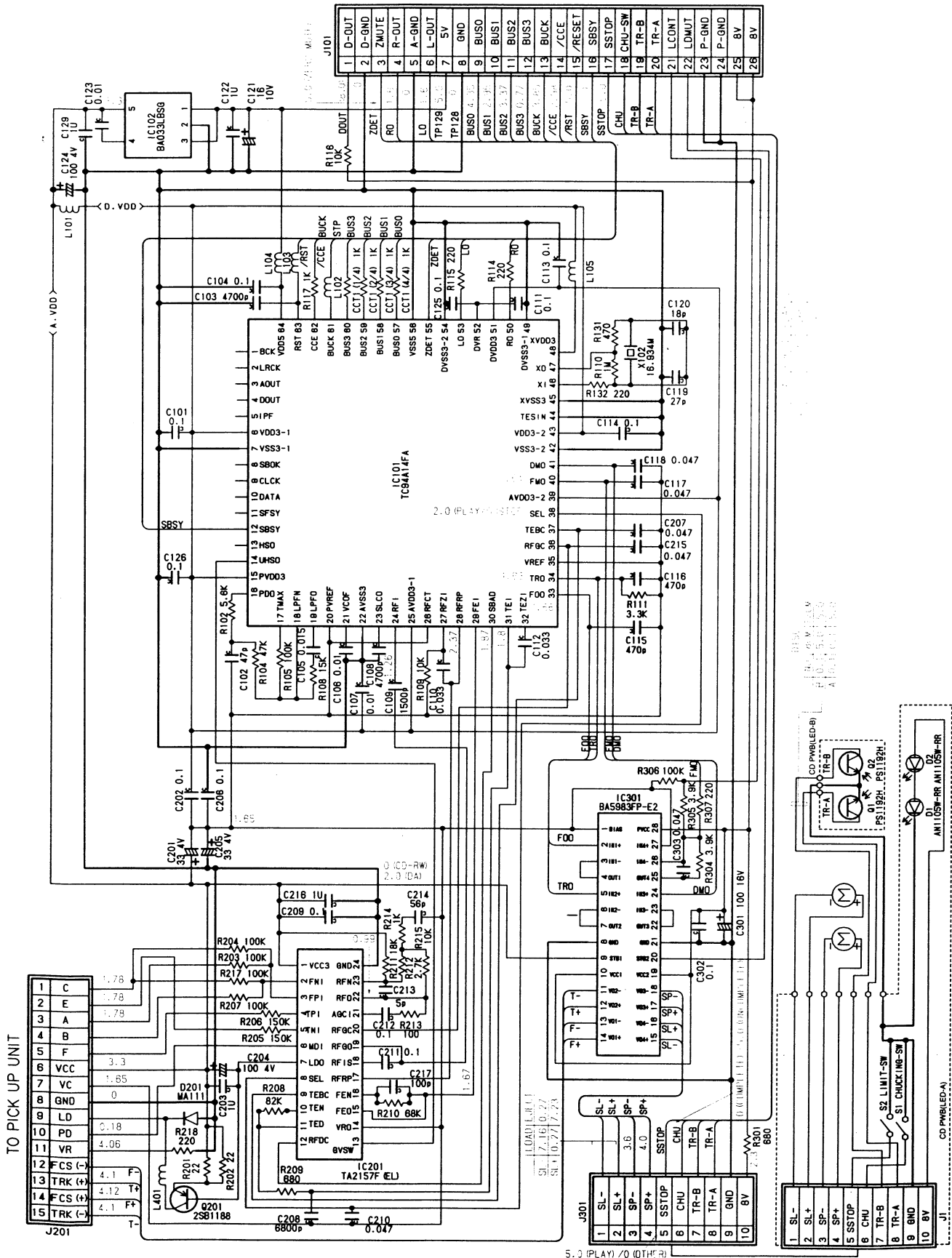
Switch PWB (B2) section



CIRCUIT DIAGRAM :

CD mechanism section 929-0221-80

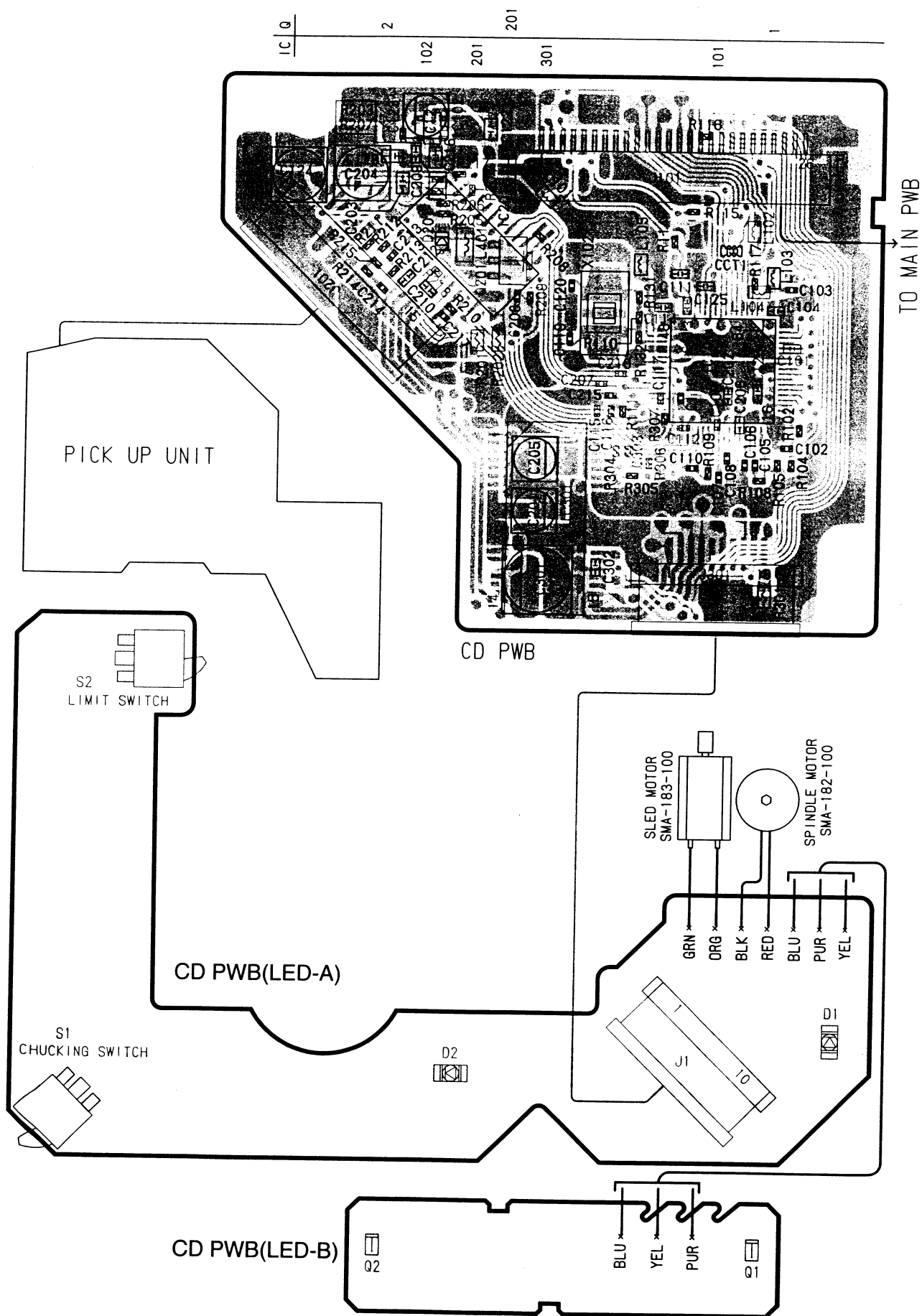
TO MAIN PWB



816-2542-01 FLAT WIRE

PRINTED WIRING BOARD :

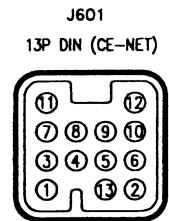
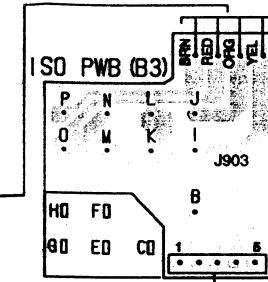
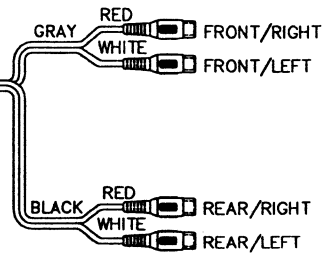
CD mechanism section 929-0221-80



PRINTED WIRING BOARD:
Main PWB (B1) /ISO PWB(B3) section

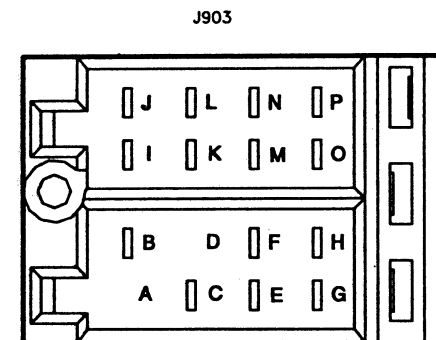
<http://www.manualscenter.com>

Marks ● and marks **GND** are on the ground of the DIP layer.



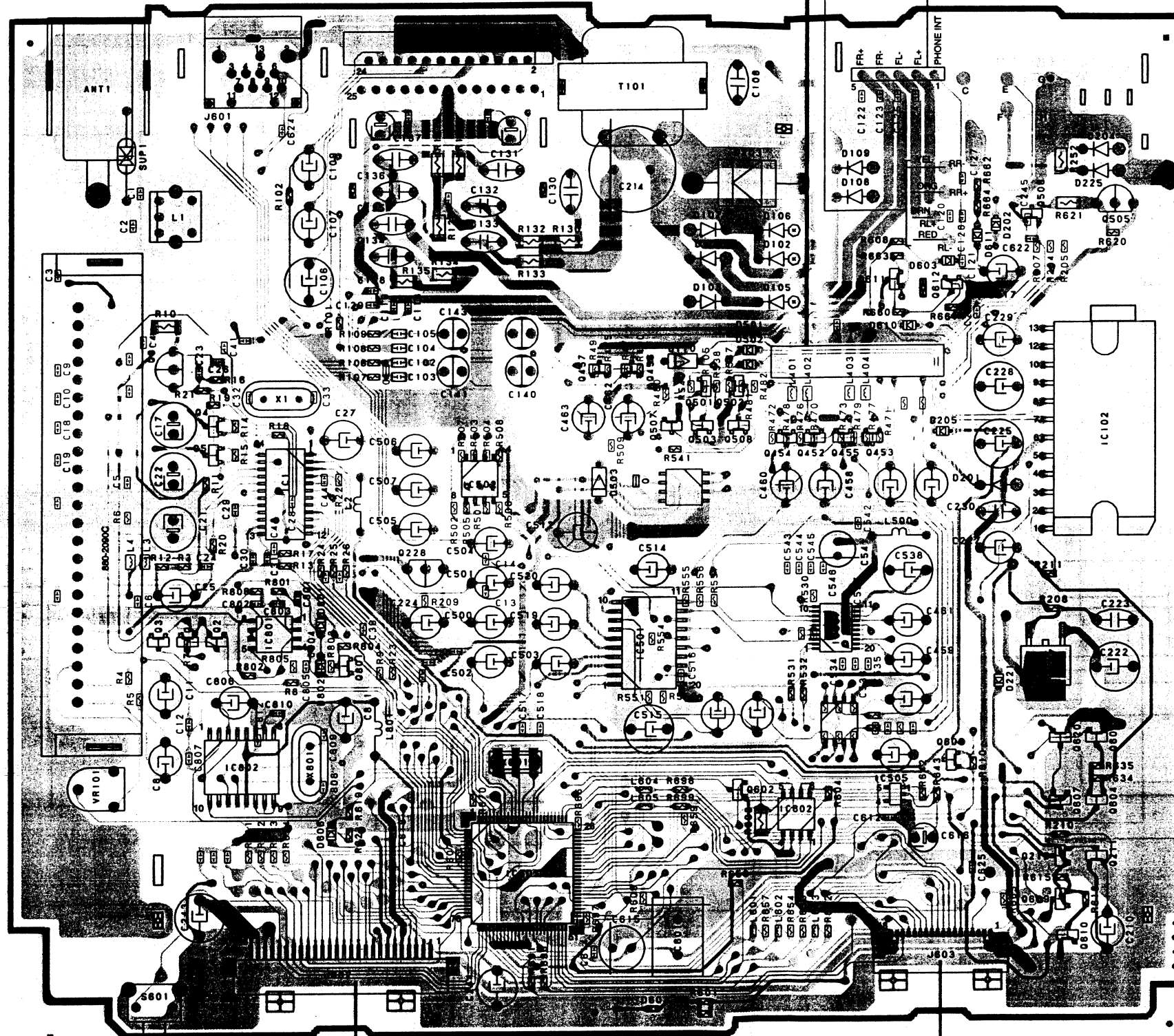
CE-NET LINE

13	
12	ILLUMI
11	L-CH (-)
10	BUS (-)
9	SYS-ACC
8	R-CH (-)
7	R-CH (+)
6	BUS (+)
5	
4	
3	L-CH(+)
2	BUS 14V
1	GND
PIN NO.	DESCRIPTION



H	ACC	P	SP-RL +
G	GND	O	SP-RL -
F	REMOTE	N	SP-FL +
E	ILLUMI	M	SP-FL -
D		L	SP-FR +
C	BATTERY	K	SP-FR -
B	PHONE INT.	J	SP-RR +
A		I	SP-RR -

- Q IC
- IC101
- Q505
- Q506
- Q611
- Q612
- Q6
- Q457
- Q456
- Q501
- Q4
- Q502
- Q507
- Q508
- Q503
- Q5
- Q454
- Q452
- Q455
- IC102
- IC1
- IC502
- Q228
- Q1
- IC801
- Q2
- IC501
- Q3
- IC507
- Q801
- Q227
- Q620
- Q606
- Q603
- IC802
- IC505
- Q802
- Q807
- Q804
- IC602
- Q210
- Q211
- IC601
- Q609
- Q610



TO MECH PWB

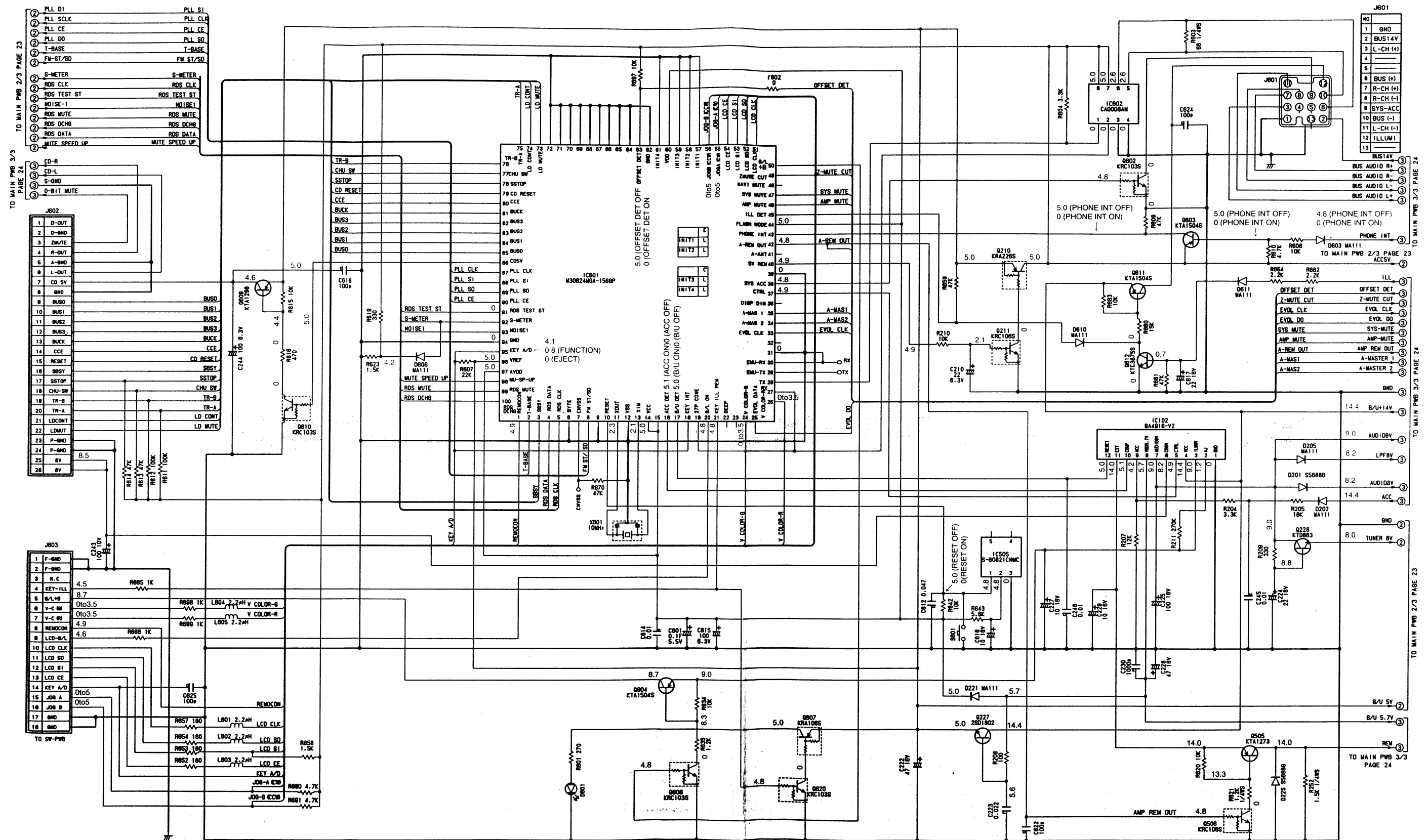
TO SW PWB

CIRCUIT DIAGRAM:

Main PWB (B1) section 1/3

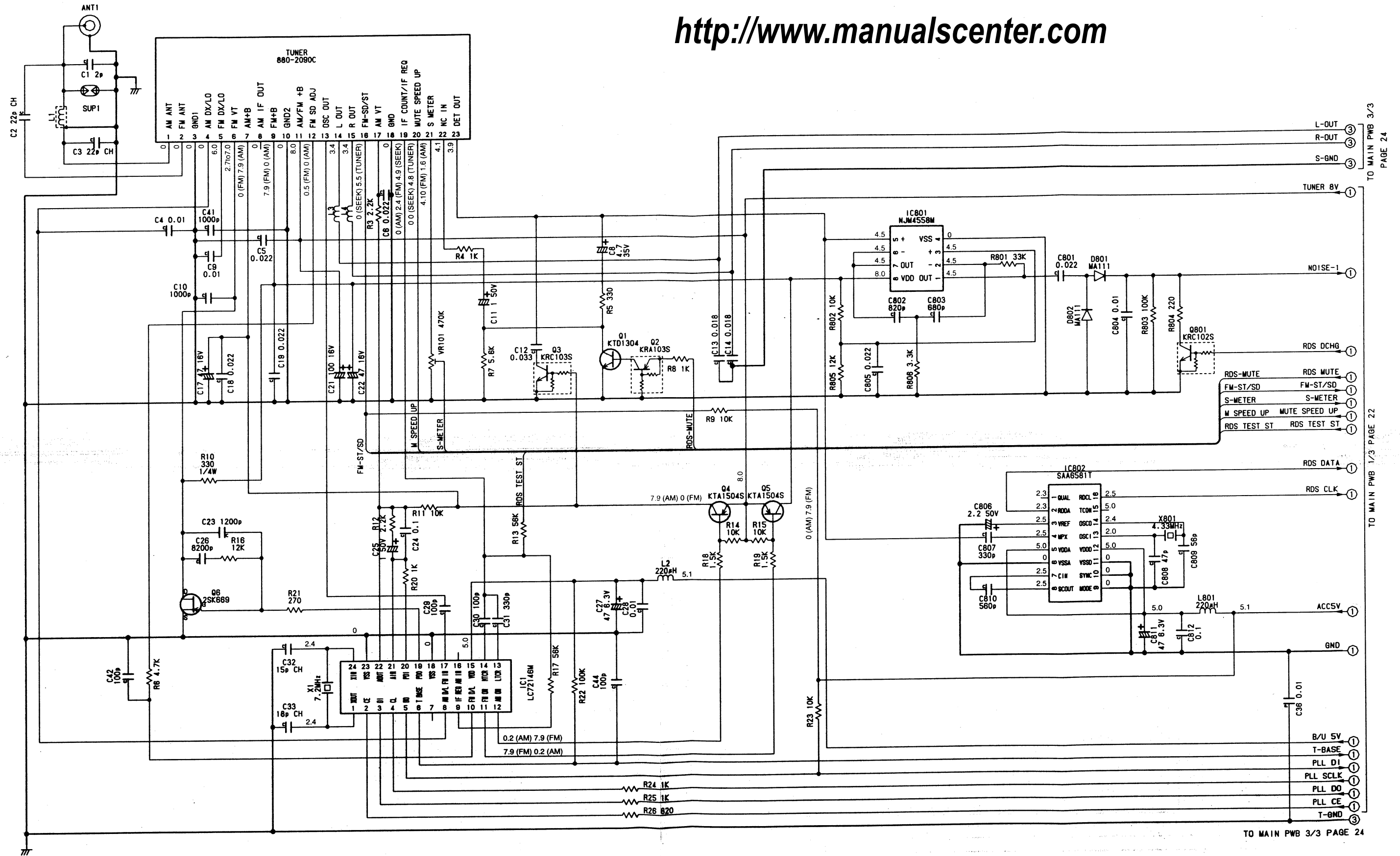
*REF No. with "r(small letter)" like "r602" means a jumper wire.

<http://www.manualscenter.com>



CIRCUIT DIAGRAM:
Main PWB (B1) section 2/3

<http://www.manualscenter.com>

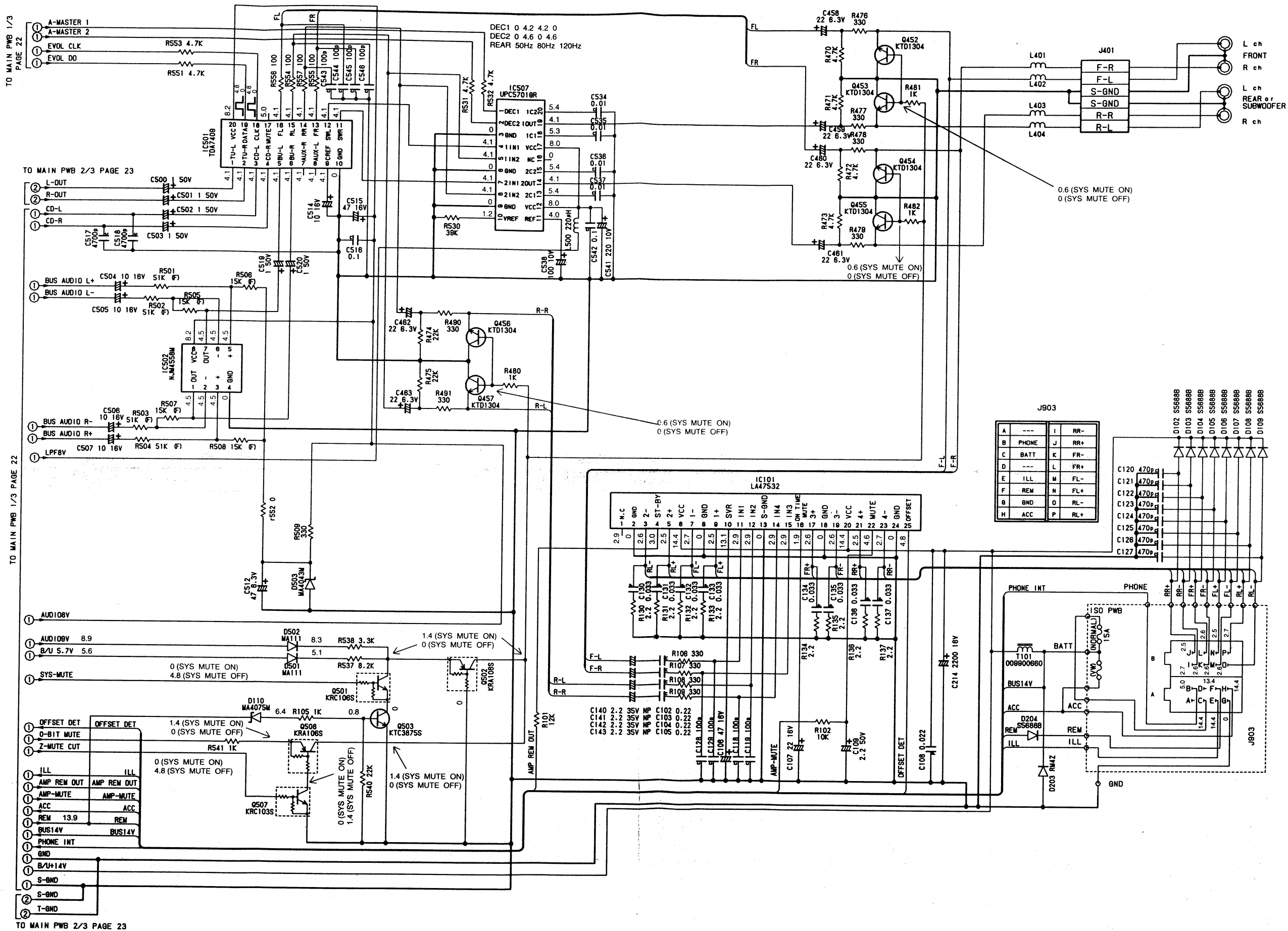


TO MAIN PWB 3/3 PAGE 24
TO MAIN PWB 1/3 PAGE 22
TO MAIN PWB 3/3 PAGE 24

CIRCUIT DIAGRAM:

Main PWB (B1) section 3/3 *REF No. with "r(small letter)" like "r552" means a jumper wire.

<http://www.manualscenter.com>



J903

A	---	I	RR-
B	PHONE	J	RR+
C	BATT	K	FR-
D	---	L	FR+
E	ILL	M	FL-
F	REM	N	FL+
G	GND	O	RL-
H	ACC	P	RL+