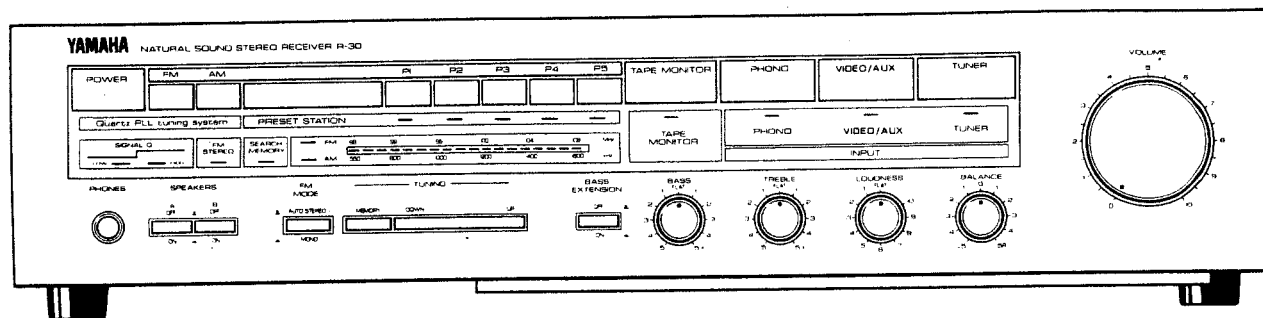


STEREO RECEIVER

R-30**SERVICE MANUAL****FRONT PANEL****CONTENTS**

TO SERVICE PERSONNEL	1
SPECIFICATIONS	1
REAR PANEL	2
INTERNAL VIEW	3
DISASSEMBLY PROCEDURES	3
ADJUSTMENTS	4~6
PRINTED CIRCUIT BOARD	7, 8
SCHEMATIC DIAGRAM	9
BLOCK DIAGRAM	9
PARTS LIST	10~19



TO SERVICE PERSONNEL

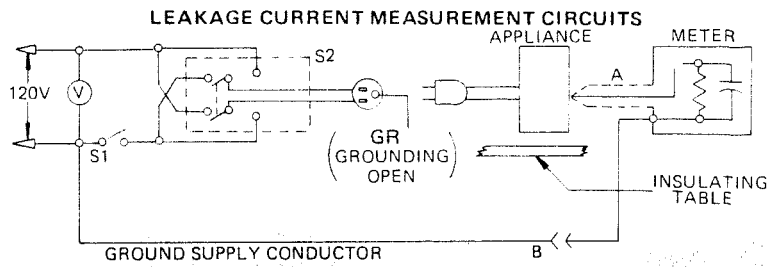
(Prepared in accordance with UL Standard 1270)

Before service of this appliance by you, please carefully read this service manual.

Please make Leakage-current or Resistance measurements by suitable meter to determine that exposed parts are acceptably insulated from the supply circuit before returning the appliance to the customer.

- A PROBE WITH SHIELDED LEAD.
- B SEPARATED AND USED AS CLIP WHEN MEASURING CURRENTS FROM ONE PART OF APPLIANCE TO ANOTHER.

Confirm that the leakage current is not more than 0.5mA AC.



Appliance intended for connection to a 120 volt power supply.

SPECIFICATIONS

AUDIO SECTION

Continuous Power Per Channel	
20Hz to 20kHz 0.015%THD 8Ω	25W
Dynamic Power	
1kHz IHF Signal 4Ω	45W
2Ω	55W
DIN Standard Output Power Per Channel	
1kHz 1%THD 8Ω	35W (A)(B)(G)
Dynamic Headroom (IHF)	
8Ω	1.7dB
Power Band Width	
0.02%THD 12.5W 8Ω	10Hz to 30kHz
Damping Factor	
1kHz 8Ω	49
Input Sensitivity/Impedance	
Phono	2.5mV/47kΩ
Aux, Tape	120mV/42kΩ
Input Sensitivity (New IHF)	
Phono	0.5mV
Aux, Tape	24mV
Maximum Input Signal	
1kHz 0.01%THD Phono	85mV
Output Level/Impedance	
Rec Out	120mV/1kΩ
Headphone Jack Rated Output/Impedance	
0.015%THD	0.5V/220Ω
Frequency Response	
20Hz to 100kHz, Aux, Tape	-3dB
RIAA Equalization Deviation	
Phono	±0.5dB
Total Harmonic Distortion	
Phono (IV)	0.015%
Aux, Tape to SP Out 1W/8Ω	0.008%
Intermodulation Distortion	
Aux, Tape Rated Output/8Ω	0.01%
Intermodulation Distortion (DIN)	
Aux, Tape 8Ω	0.01% (A)(B)(G)
Signal to Noise Ratio (IHF-A-Network)	
Phono (5mV Input Shorted)	88dB/80dB (G)
Aux, Tape, Tuner (Input Shorted)	97dB/95dB (G)
Signal to Noise Ratio (New IHF)	
Phono	73dB/72dB (G)
Aux, Tape, Tuner	79dB
Residual Noise (IHF-A-Network)	
	175μV
Channel Separation	
Aux, Tape 5.1kΩ Shorted 1kHz	60dB
Tone Control Characteristics	
Bass boost/cut	±10dB (at 50Hz)
Treble boost/cut	±10dB (at 20kHz)
Bass Extension	+ 8dB (at 62Hz)
Filter Characteristics	
Low (Subsonic Built-in)	10Hz, -15dB/oct
Continuous Loudness Control (Level-related equalization)	
Attenuation	-20dB (at 1kHz)
Rec Output Level/Impedance (Fixed)	
FM 100% mod 1kHz	500mV/5kΩ
FM 100% mod 40kHz	380mV/5kΩ (G)
AM 30% mod 400Hz	150mV/5kΩ

FM SECTION

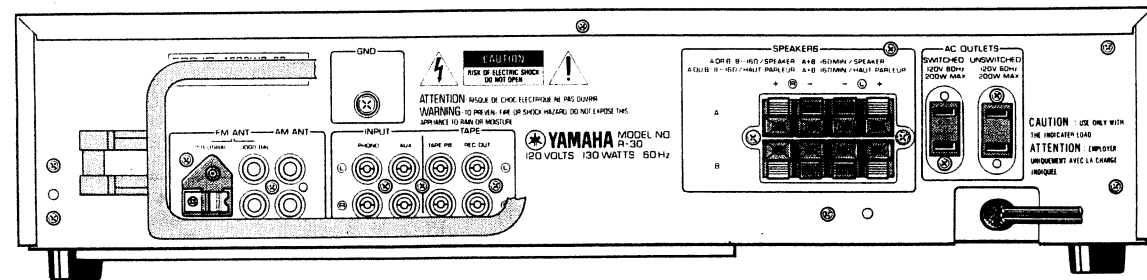
Tuning Range	87.5 to 108.1MHz
50dB Quieting Sensitivity (IHF)	
Mono	1.6μV (15.3dBf)
Stereo	22μV (38.1dBf)
Usable Sensitivity	
30dB Quieting 75Ω	0.8μV (9.3dBf)
Usable Sensitivity (DIN)	
Mono (S/N 26dB)	0.8μV (9.3dBf) (G)(B)(A)
Stereo (S/N 46dB)	25μV (39.2dBf) (G)(B)(A)
Image Response Ratio	
	50dB
IF Response Ratio	
	90dB
Spurious Response Ratio	
	70dB
AM Suppression Ratio	
	60dB
Capture Ratio	
	1.5dB
Alternate Channel Selectivity (IHF)	
	55dB
Selectivity (two signals)(DIN)	
	60dB (G)
Signal to Noise Ratio (IHF)	
Mono	82dB
Stereo	80dB
Signal to Noise Ratio (DIN-UNWeighted)	
Mono	77dB (G)(B)(A)
Stereo	75dB (G)(B)(A)
Harmonic Distortion	
Mono 1kHz	0.1%
Stereo 1kHz	0.2%
Harmonic Distortion (40kHz, Dev)	
Stereo 1kHz	0.2% (G)
Stereo Separation (IHF)	
1kHz	40dB
Frequency Response	
30Hz to 15kHz	+0.5 -1.5dB
Sub-carrier Product Ratio (IHF)	
	45dB
AM Section	
Tuning Range	
	520 to 1610kHz (U)(C)
	522 to 1611kHz (G)(A)(B)
	520 to 1610kHz or
	522 to 1611kHz (R)
Usable Sensitivity	
	250μV
Selectivity	
	25dB
Signal to Noise Ratio	
	52dB
Image Response Ratio	
	40dB
Spurious Response Ratio	
	50dB
Harmonic Distortion (400Hz)	
	0.3%
GENERAL	
Power Supply	
US & Canadian Models	120V AC, 60Hz
General Model	110-120V AC/220 - 240V AC, 50/60Hz
European Model	220V AC, 50Hz
British & Australian Models	240V AC, 50Hz
Power Consumption	
	130W (U)(C)
	70W (R)
	180W (G)(A)(B)
AC Outlet	
Switched	200W max.
Unswitched	200W max.
Dimensions (W x H x D)	
	435 x 102 x 347.7 mm (17-1/8 x 4 x 13-5/8)"
Weight	
	6.4 kg (14.3 lbs)

- (U) U.S.A. model
- (C) Canadian model
- (A) Australian model
- (G) European model
- (B) British model
- (R) General model

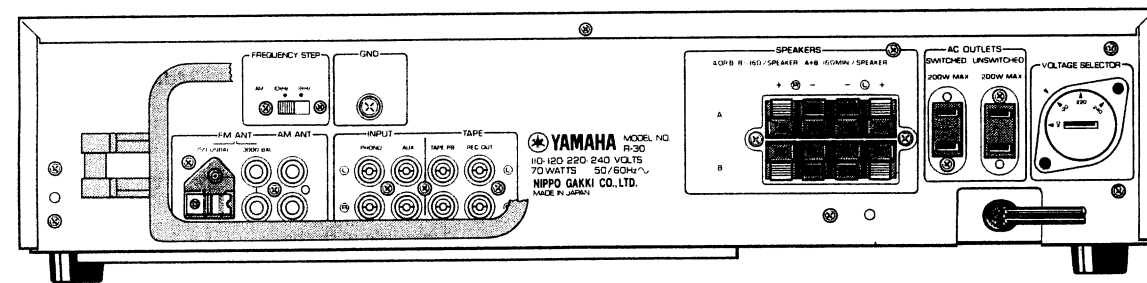
Specifications subject to change without notice.

REAR PANEL

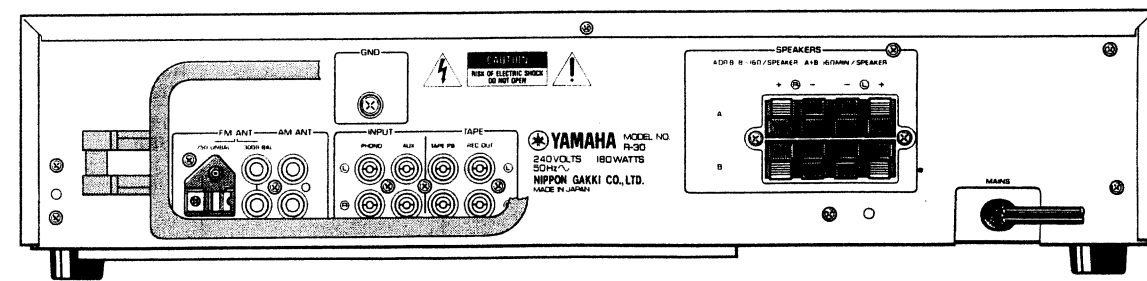
U.S.A. & Canadian models



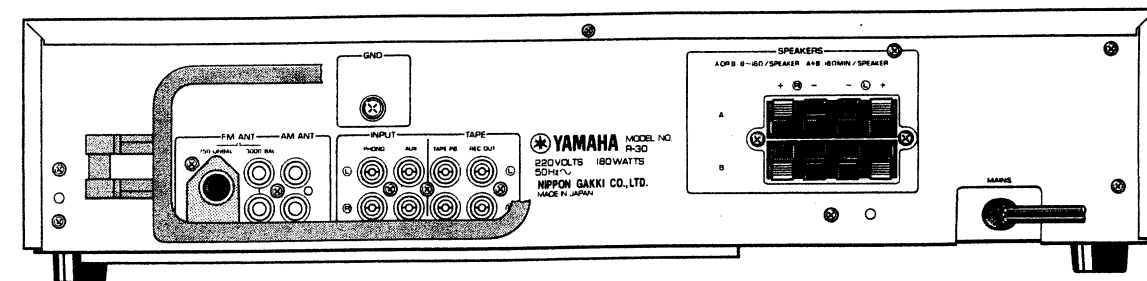
General model



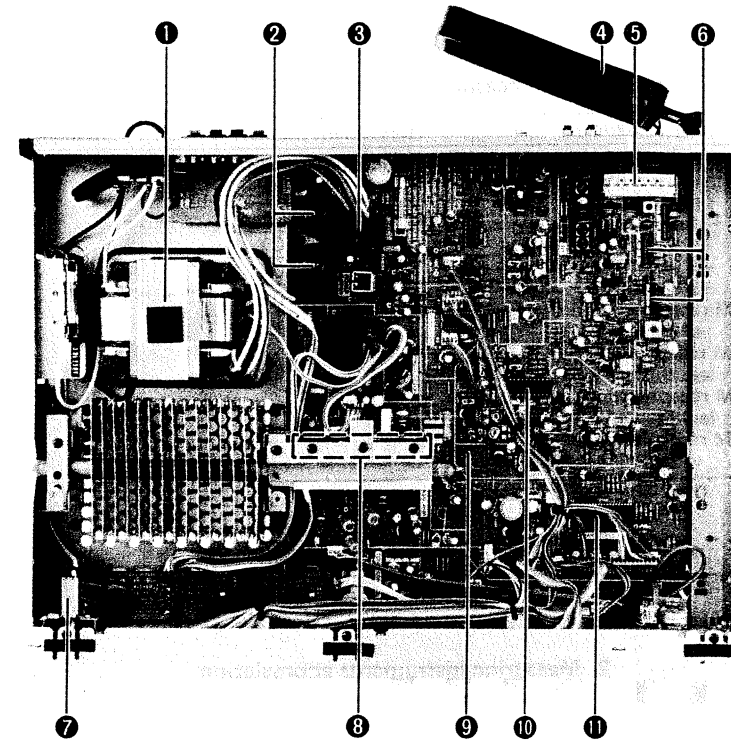
British & Australian models



European model



INTERNAL VIEW



- 1 POWER TRANSFORMER
U.S.A. model: GA66360
Canadian model: GA66440
European model: GA66370
Australian & British models: GA66380
General model: GA66390
- 2 ELECTROLYTIC CAP: 5600 μ F 45V
- 3 DIODE BRIDGE: 3D4B41
- 4 AM LOOP ANTENNA
- 5 FRONT END PACK
- 6 IF IC: μ PC577H (E, F)
- 7 POWER SWITCH
- 8 POWER IC: STK-4853Y
- 9 MAIN CIRCUIT BOARD
- 10 MPX IC: LA3380
- 11 QUARTZ PLL IC: LC7222

DISASSEMBLY PROCEDURES (Remove parts in order of disassembly as numbered.)

* Replacement of the parts of almost circuit boards in this unit is possible by removing the top and bottom cover.

- 1 Removing Top Cover Cup Screw 4x8 FNM3-3g
- 2 Removing Front Panel . . . Binding Head Tapping Screw 3x8 FCRM3-BL
- 3 Removing Bottom Cover . . Binding Head Tapping Screw 3x8 FCRM3-BL
- 4 Removing Heat Sink Binding Head Tapping Screw 3x8 FCRM3-BL

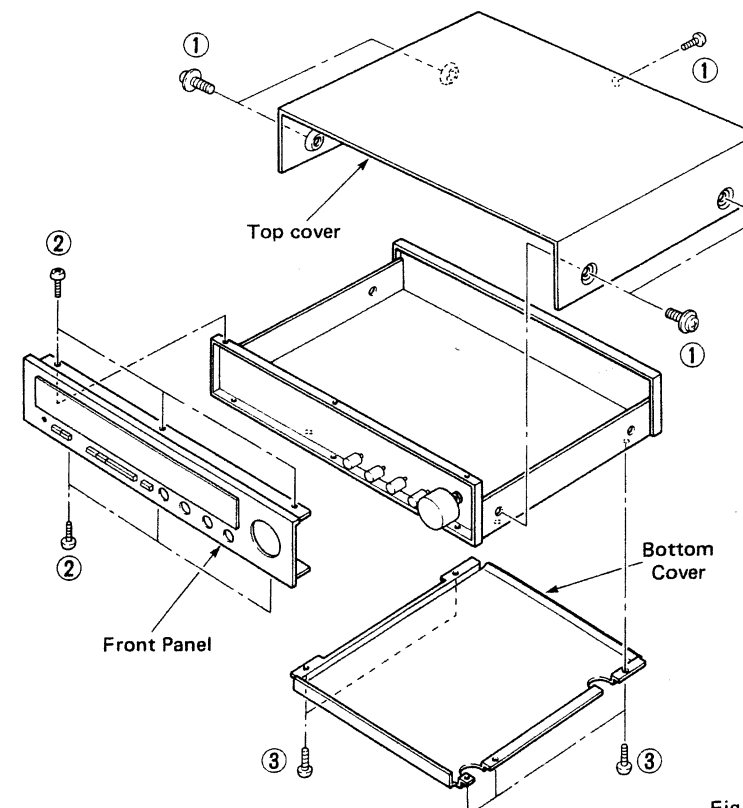


Fig. 1

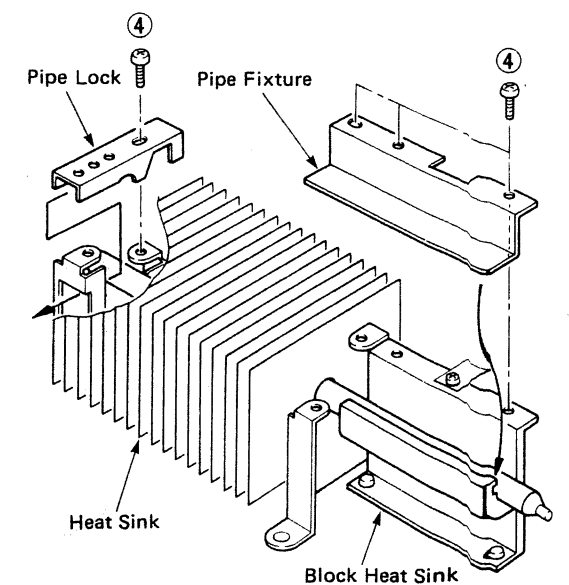


Fig. 2

ADJUSTMENTS

<CONFIRMATION OF AUDIO SECTION>

Before adjustment

Note 1: After the power switch is pushed on, wait for 5 minutes before measuring, to be sure of the most stable operation.

Step	Confirmation	Test point	Rating or standard	Adjustment method	Remarks								
1	Power supply voltage	+B ~ E -B ~ E +20 ~ E +12 ~ E +9 ~ E -9 ~ E +5.6 ~ E FB ~ E AB ~ E	+34V ± 5V -34V ± 5V +20V ± 2V +12.5V ± 1V +9.5V ± 0.5V -8.9V ± 0.5V +5.6V ± 0.5V +12V ± 1V less than +1V less than +1V +12V ± 1V	Make sure that AC line voltage comes within <table border="1"> <tr> <th>Models</th> <th>AC line voltage</th> </tr> <tr> <td>U, C</td> <td>120V ± 10%</td> </tr> <tr> <td>G</td> <td>220V ± 10%</td> </tr> <tr> <td>A, B</td> <td>240V ± 10%</td> </tr> </table>	Models	AC line voltage	U, C	120V ± 10%	G	220V ± 10%	A, B	240V ± 10%	No load
Models	AC line voltage												
U, C	120V ± 10%												
G	220V ± 10%												
A, B	240V ± 10%												
2	DC offset	Speaker terminal or pin 5 of IC110 (L ch) and Pin 1 (R ch)	0V ± 50mV										

<TUNER ADJUSTMENT>

1. Before adjustment

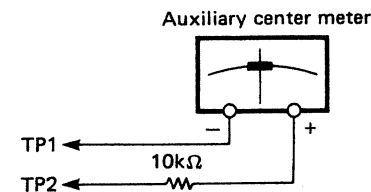
- Note 1) After the Power switch is pushed on, wait for 5 minutes before measuring, to be sure of the most stable operation.
- Note 2) Adjust the OSC coil and IFT with a nonferrous screw driver.
- Note 3) Do not forget to keep the bottom cover on.

2. Measuring instruments abbreviation

- FM SG : FM signal generator
- SSG : Stereo signal generator
- AM SG : AM signal generator
- OSC : Oscilloscope
- DIST. M : Distortion meter
- FC : Frequency counter
- ACVM : AC volt meter

1. FM TUNER SECTION

- Use 200Hz to 15kHz bandpass filter to measure the REC OUT.
- On step 1 connect the auxiliary center meter (Ji00036 or similar) in series with the resistor 10kΩ between TP1 (S OUT) and TP2 (NVcc)



- Set the switches to the following positions.

- INPUT TUNER
- Band Select FM
- FM MODE AUTO STEREO
- VOLUME Min

Step	Adjustment item	Connection terminal	Instrument required	Adjustment locations	Adjustment method	Rating or standard	Remarks
1	Discriminator balance adjustment	TP1 ~ TP2 (S OUT) (NVcc) Reset terminal (RE, G) 300Ω FM ANT	Auxiliary center meter Short (more than 1 second.) FM SG [87.5MHz ± 1kHz 70dBμ (75.2dBf) MONO 1kHz 100% MOD]	T102 (DISCRI CENTER)	Adjust so that the pointer of the auxiliary center meter points to 0 at tuned point.		
2	Monaural distortion adjustment	300Ω FM ANT REC OUT (TP9, TP10)	FM SG [87.5MHz ± 1kHz 70dBμ (75.2dBf) monaural 100Hz or 400Hz 100% MOD] DIST. M, OSC BPF	VC101 (MONO DIST)	Reduce distortion to minimum	Less than -64dB	Confirm that all signal Q indicators light

Step	Adjustment item	Connection terminal	Instrument required	Adjustment locations	Adjustment method	Rating or standard	Remarks
3	VCO adjustment	300Ω FM A. TP5 ~ TP6 (19M) (+12) TP3 ~ TP4 (19kHz) (G)	FM SG [87.5MHz ± 1kHz 70dBμ (75.2dBf) Unmodulated] Resistor 2.2MΩ FC	VR102 (VCO) Stereo indicator	① Connect resistor 2.2MΩ between TP5 (19M) and TP6 (+12), and force the set in stereo mode. ② Adjust so that VCO frequency is at 19kHz	19kHz ± 10Hz	Confirm that stereo indicator lights up. After adjusting, remove the FC and 2.2MΩ resistor.
4	Stereo distortion adjustment	300Ω FM ANT REC OUT (TP7, TP8)	FM SG, SSG [87.5MHz ± 1kHz 70dBμ (75.2dBf) STEREO L, R 1kHz, 100% MOD DIST. M, OSC BPF]	T101 (ST DIST)	Same as step 3	Less than -46dB G model only Less than -33dB	
5	Separation confirmation	300Ω FM ANT REC OUT (TP9, TP10)	FM SG, SSG [87.5MHz ± 1kHz 70dBμ (75.2dBf) STEREO L or R OSC, ACVM, BPF]		Confirm that the leakage level of the opposite channel is minimum	Less than 26dB	
6	Pilot cancel adjustment	300Ω FM ANT REC OUT (TP9, TP10)	FM SG, SSG [87.5MHz ± 1kHz 70dBμ (75.2dBf) PILOT 9% MOD] OSC Disconnect BPF	VR101 (PILOT CANCEL)	Observe waveform on the OSC and adjust so that carrier leakage level reduced to minimum	More than 34dB	
7	Auto search reception confirmation	300Ω FM ANT	FM SG [98.1MHz ± 1kHz 20dBμ (25.2dBf) MONO 1kHz 100% MOD]	TUNING SW → UP or DOWN	Confirm that auto search reception is possible with the tuning button		Confirm that muting is performed at auto reception.

2. AM TUNER SECTION

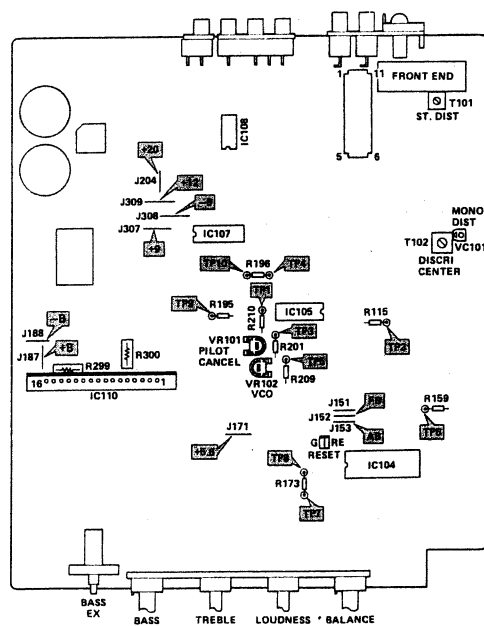
- Connect the AM dummy antenna for adjustment.

Step	Adjustment item	Connection terminal	Instrument required	Adjustment locations	Adjustment method	Rating or standard	Remarks
1	Sensitivity confirmation	AM ANT REC OUT (TP9, TP10)	AM dummy antenna AM SG [400Hz, 30% MOD 60dBμ 630kHz ± 0.1kHz 1440kHz ± 0.1kHz 1080kHz ± 0.1kHz] OSC DST. M ACVM	PRESET P1 P2 P3	Confirm the maximum sensitivity	less than 55dBμ	
2	Signal Q indicator confirmation	AM ANT	AM dummy antenna AM SG [1080kHz ± 0.1kHz 80dBμ]	PRESET P3 Signal Q	Confirm that all signal Q indicators light		Confirm that the signal Q indicator all go out at detuned point
3	Auto search reception confirmation	AM ANT	AM dummy antenna AM SG [1080kHz ± 0.1kHz 60dBμ]	TUNING SW → Up or DOWN	Confirm that auto search reception is possible with the tuning button		

3. DIGITAL CONTROL SECTION

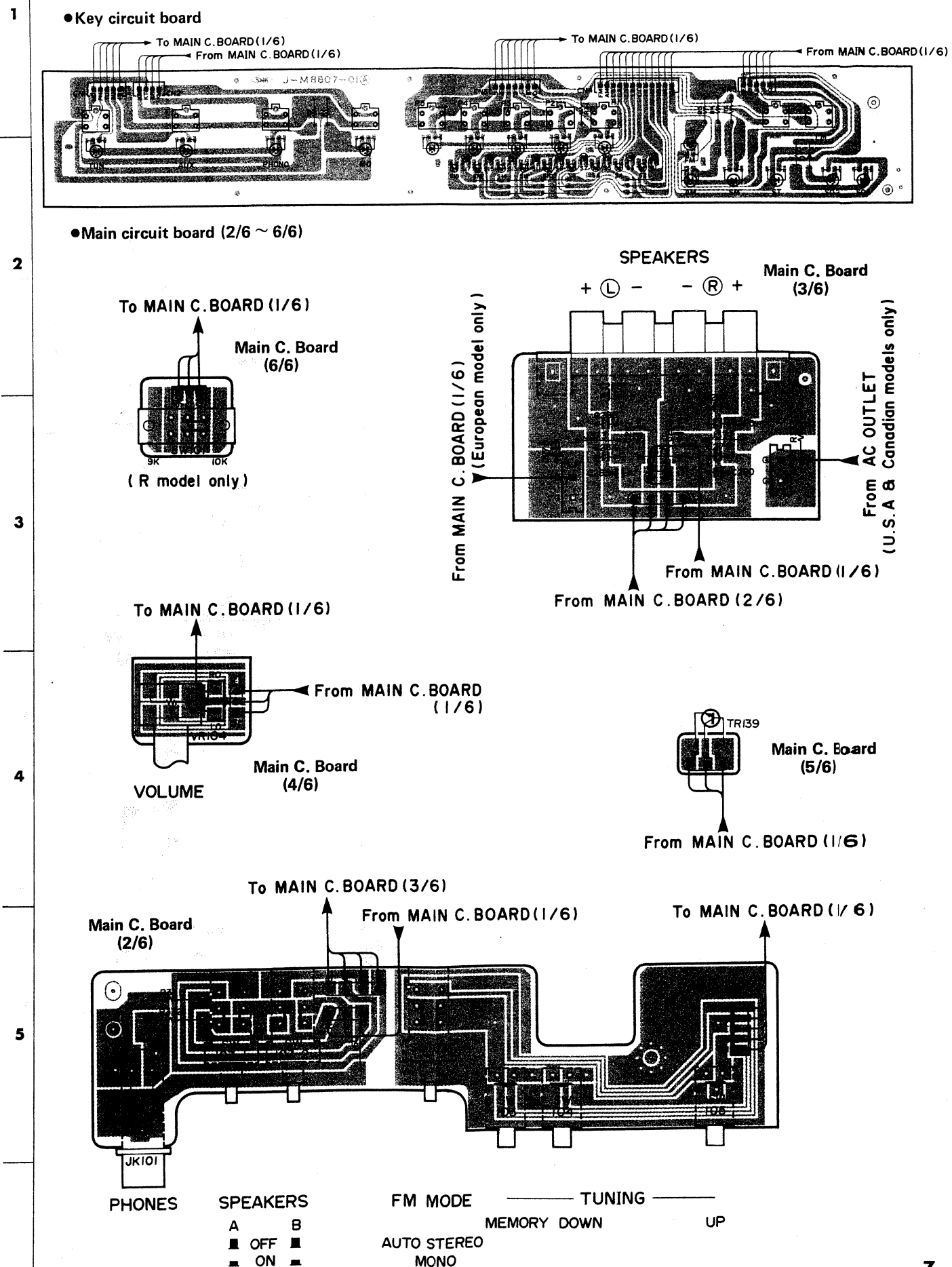
Step	Adjustment item	Connection terminal	Instrument required	Adjustment locations	Adjustment method	Rating or standard	Remarks
1	Preset memory confirmation	300Ω FM ANT AM ANT	FM SG 98.1MHz ± 1kHz 70dBμ (75.2dBf) MONO 1kHz 100% MOD AM drummy antenna AM SG 1080kHz ± 0.1kHz 80dBμ 400Hz, 30% MOD	FM/AM SW TUNING SW MEMORY SW PRESET SW	① Memorize the PRESET P1 at FM SG frequency. ② Memorize the PRESET P2 at AM SG frequency. ③ Confirm that the frequency memorized is recalled.	① Press the FM button and tuned the 98.1MHz with AUTO search. Press the Memory button The search memory indicator lights about 3 seconds. ↓ Press the PRESET P1 during the search memory indicator lights. ↓ The PRESET STATION LED of P1 lights. ② Press the AM button and tuned the 1080kHz with AUTO search. Press the memory button. ↓ The search memory indicator lights. ↓ Press the PRESET P2 ↓ The search/memory indicator goes out and the PRESET STATION LED of P2 lights.	
2	Last channel memory confirmation			POWER SW	① Press the PRESET P1 ② Turn the power switch off. ③ After about 5 seconds, turn the power switch on. ④ Confirm that the PRESET P1 memorized is recalled.		④ The PRESET STATION of P1 lights
*	Frequency Step Set (R model only)	Reset terminal (RE, G)			When the Frequency Step switch is switched, be shorted the reset terminals more than 1 second at power on, after having switched the Frequency Step switch.		R model only.

●TEST POINT



LED	FM (0.2MHz steps)		FM (0.05MHz steps)		AM (10kHz steps)		AM (9kHz steps)	
	Frequency range (MHz)	No. of steps	Frequency range (MHz)	No. of steps	Frequency range (kHz)	No. of steps	Frequency range (kHz)	No. of steps
1	87.5 ~ 88.5	6	87.5 ~ 88.5	24	520 ~ 570	6	522 ~ 576	7
2	88.7 ~ 89.7	6	89.7 ~ 89.7	24	580 ~ 630	6	585 ~ 639	7
3	89.9 ~ 90.9	6	89.9 ~ 90.9	24	640 ~ 690	6	648 ~ 702	7
4	91.9 ~ 92.1	6	91.1 ~ 92.1	24	700 ~ 750	6	711 ~ 765	7
5	92.3 ~ 93.3	6	92.3 ~ 93.3	24	760 ~ 810	6	774 ~ 828	7
6	93.5 ~ 94.5	6	93.5 ~ 94.5	24	820 ~ 870	6	834 ~ 891	7
7	94.7 ~ 95.7	6	94.7 ~ 95.7	24	880 ~ 930	6	900 ~ 954	7
8	95.9 ~ 96.9	6	95.9 ~ 96.9	24	940 ~ 990	6	963 ~ 1,017	7
9	97.1 ~ 98.1	6	97.1 ~ 98.1	24	1,000 ~ 1,050	6	1,026 ~ 1,070	7
10	98.3 ~ 99.3	6	98.3 ~ 99.3	24	1,060 ~ 1,110	6	1,089 ~ 1,143	7
11	99.5 ~ 100.5	6	99.5 ~ 100.5	24	1,120 ~ 1,170	6	1,152 ~ 1,206	7
12	100.7 ~ 101.7	6	100.7 ~ 101.7	24	1,180 ~ 1,230	6	1,215 ~ 1,269	7
13	101.9 ~ 102.9	6	101.9 ~ 102.9	24	1,240 ~ 1,290	6	1,278 ~ 1,332	7
14	103.1 ~ 104.1	6	103.1 ~ 104.1	24	1,300 ~ 1,350	6	1,341 ~ 1,395	7
15	104.3 ~ 105.3	6	104.3 ~ 105.3	24	1,360 ~ 1,410	6	1,404 ~ 1,458	7
16	105.5 ~ 106.5	6	105.5 ~ 106.5	24	1,420 ~ 1,470	6	1,467 ~ 1,521	7
17	106.7 ~ 107.7	6	106.7 ~ 107.7	24	1,480 ~ 1,530	6	1,530 ~ 1,584	7
18	107.9 ~ 108.1	2	107.9 ~ 108.1	5	1,540 ~ 1,610	5	1,593 ~ 1,611	3
Total		104		413		110		122

■ PRINTED CIRCUIT BOARD (Pattern side)



PRINTED CIRCUIT BOARD (Pattern side)

The following parts and values differ from each model, so refer to the corresponding column.

	R	U, C	A, B	G
C195, 196				100p
C191, 192				220p
C185 ~ 188				330p
C285 ~ 288				4700p
C251, 278				0.01
C279 ~ 284				0.022
T103				GE20043
J331	Set	Set	Set	Open
#1	J341	J341	J341	R233
#2	J342	J342	J342	R234
R333		1/2P2.2M		
R177				220
SW101	KA40094			
J361	Open	Open	Set	Set
J351	Open	Set	Open	Open
J371 ~ 373	Open	Open	Open	Set
Main (6)	Set			

●Main circuit board (1/6)

1

2

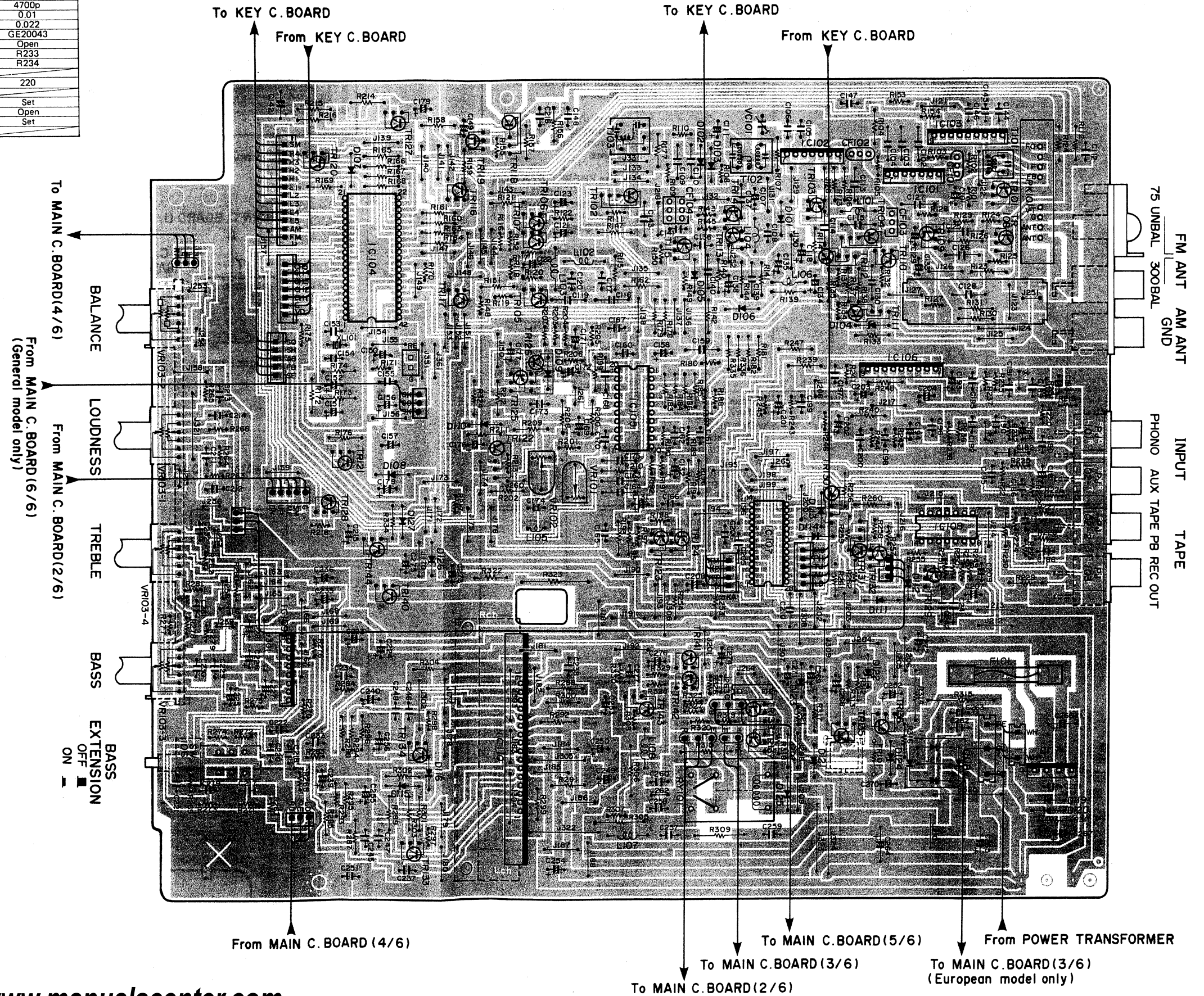
3

4

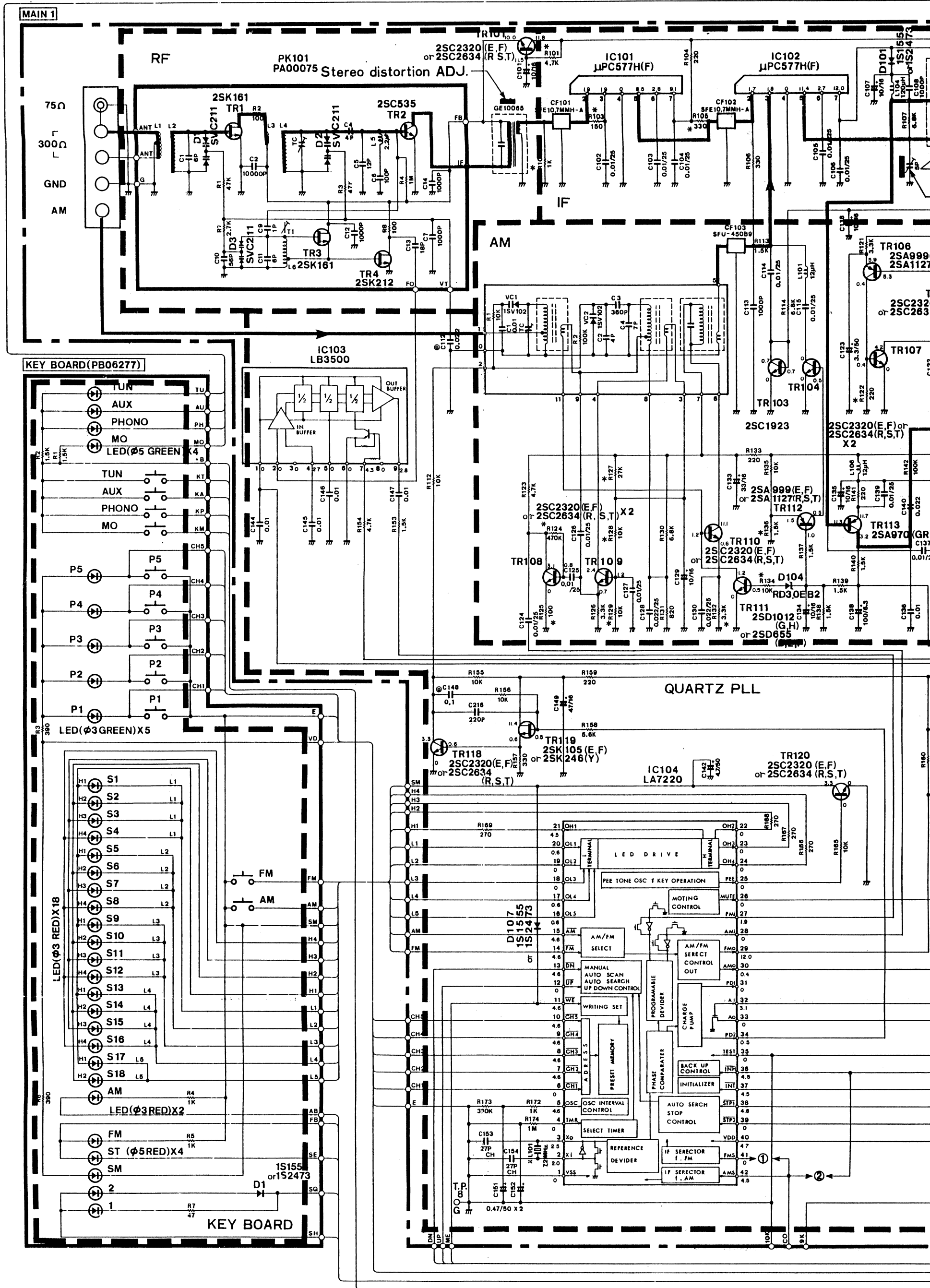
5

6

8

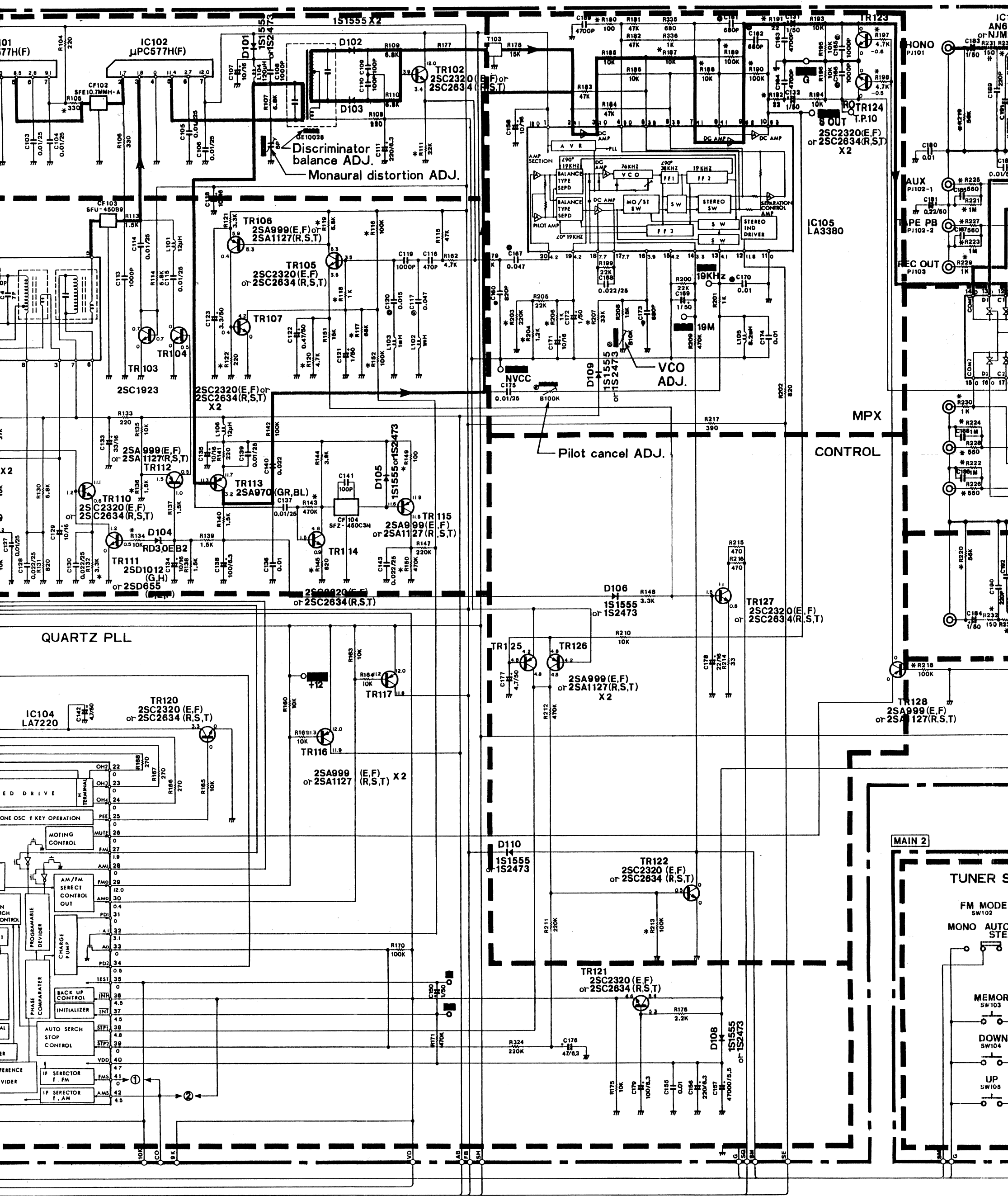


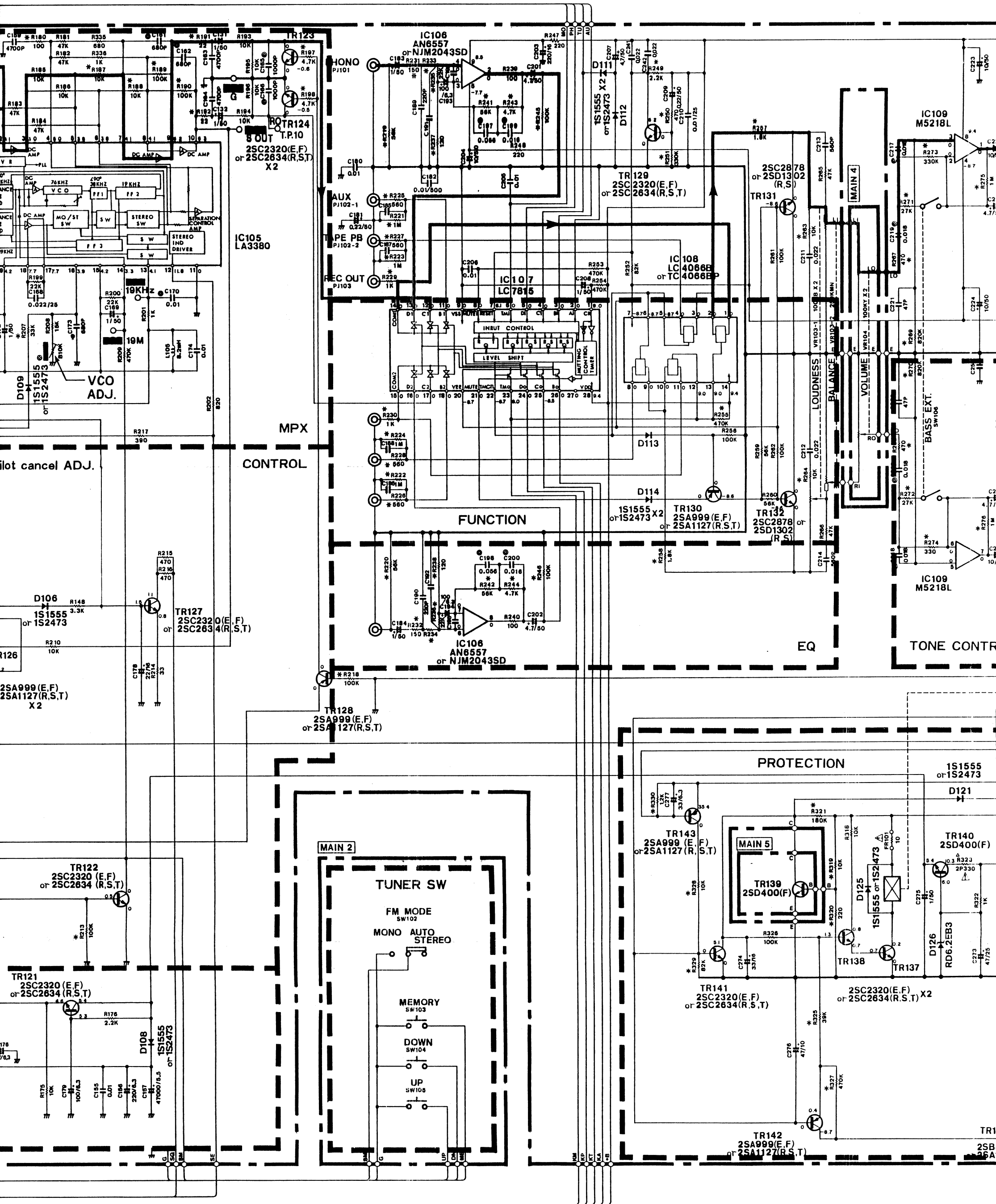
SCHEMATIC DIAGRAM

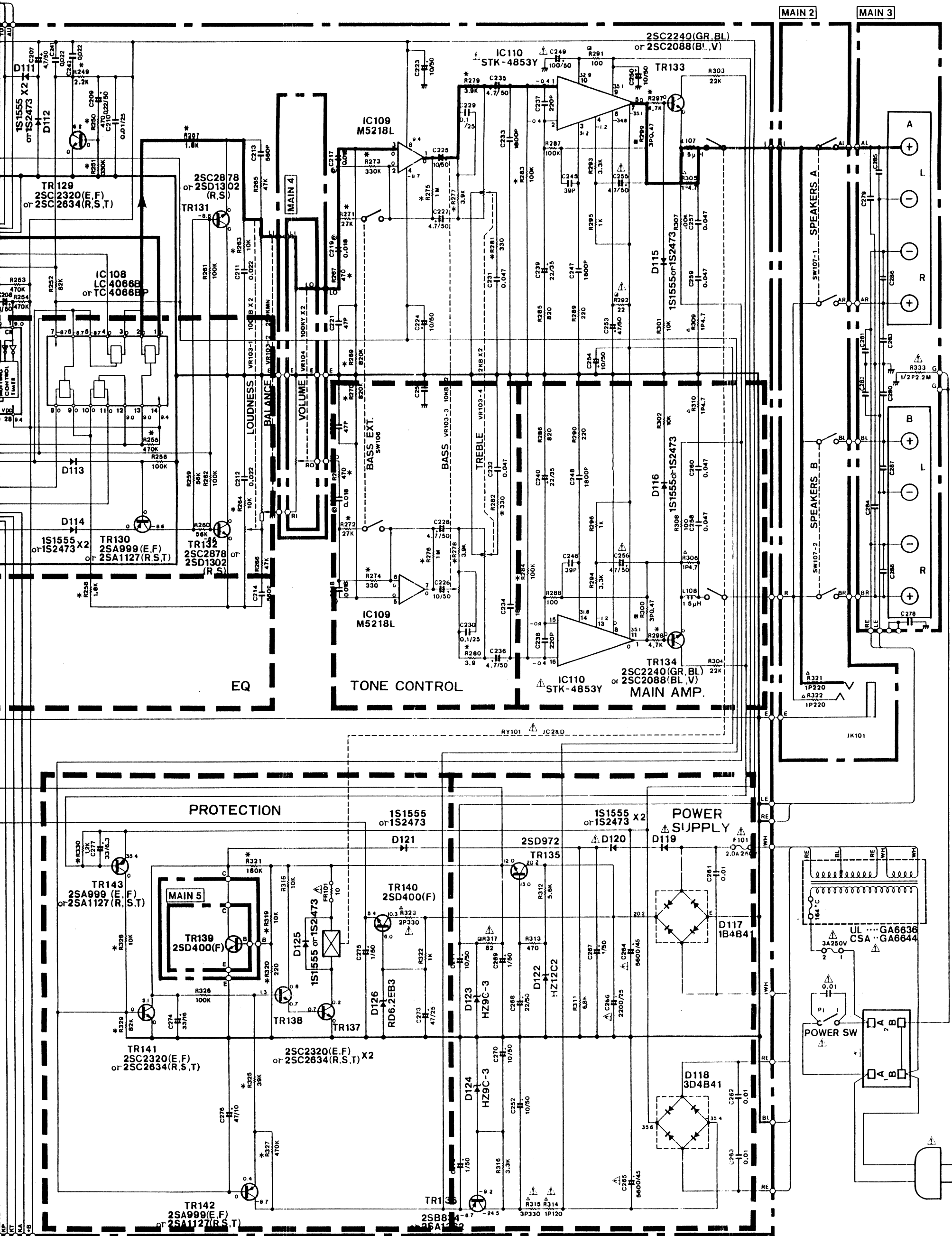


RESISTOR	
REMARKS	PARTS NAME
NO MARK	1/4W CARBON FILM RESISTOR
△	METAL OXIDE FILM RESISTOR
▲	METAL FILM RESISTOR
■	METAL PLATE RESISTOR
□	FLAME PROOF CARBON FILM RESISTOR
⊙	SEMI VARIABLE RESISTOR
*	1/6W CARBON FILM RESISTOR

CAPACITOR	
REMARKS	PARTS NAME
NO MARK	ELECTROLYTIC CAPACITOR
NO MARK	CERAMIC CAPACITOR
⊙	POLYESTEL FILM CAPACITOR
•	SA CAPACITOR







RESISTOR	
REMARKS	PARTS NAME
NO MARK	1/4W CARBON FILM RESISTOR
△	METAL OXIDE FILM RESISTOR
▲	METAL FILM RESISTOR
■	METAL PLATE RESISTOR
□	FLAME PROOF CARBON FILM RESISTOR
⊙	SEMI VARIABLE RESISTOR
*	1/6W CARBON FILM RESISTOR

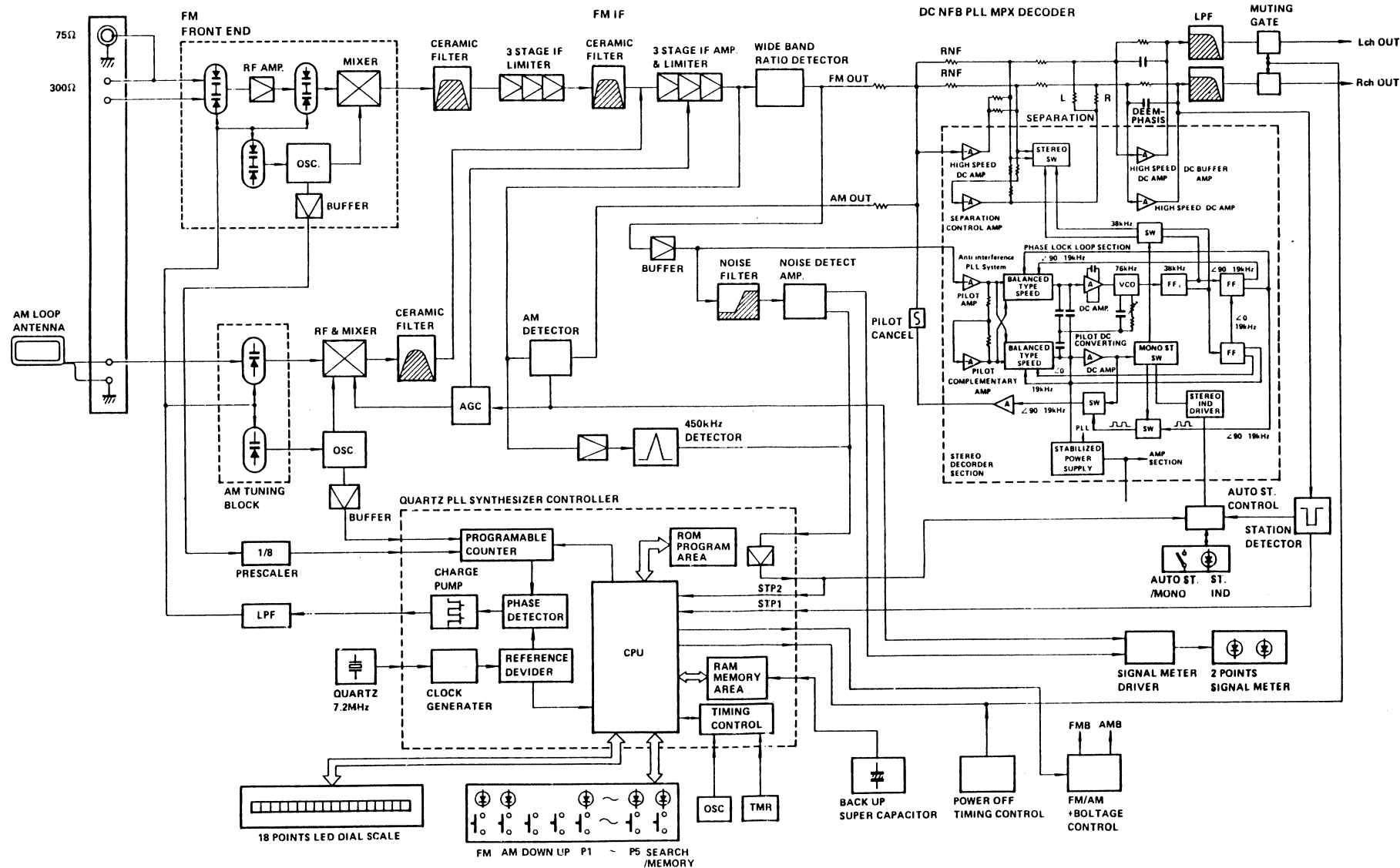
CAPACITOR	
REMARKS	PARTS NAME
NO MARK	ELECTROLYTIC CAPACITOR
NO MARK	CERAMIC CAPACITOR
⊙	POLYESTER FILM CAPACITOR
●	SA CAPACITOR

<http://www.manualscenter.com>

9

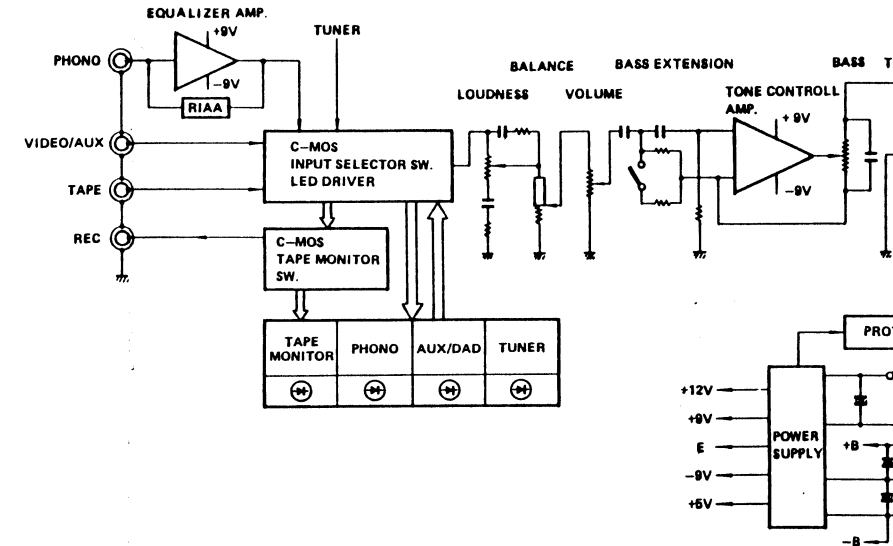
■ BLOCK DIAGRAM

● TUNER SECTION



10

● AUDIO SECTION



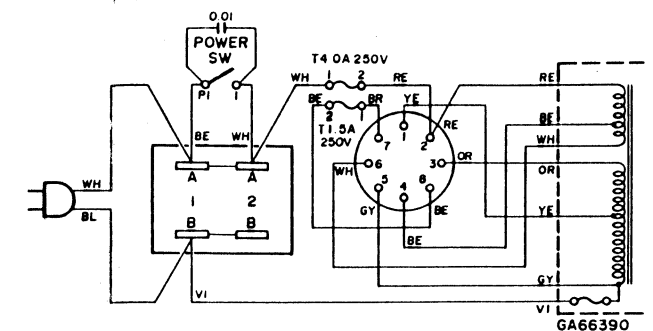
11

VOLTAGE SELECTOR

Voltage	Terminal No.	Terminal No.
110V	5-4	2-1
120V	6-5	3-2
220V	7-1	8-4
240V	7-6	8-3

General model

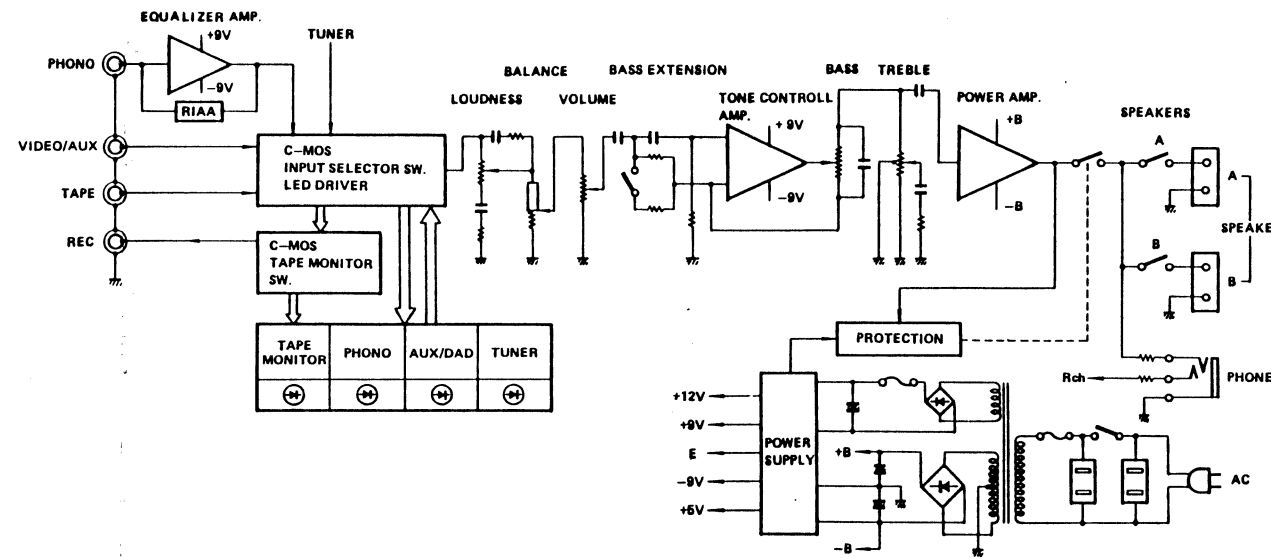
European, British and



12

GA66390

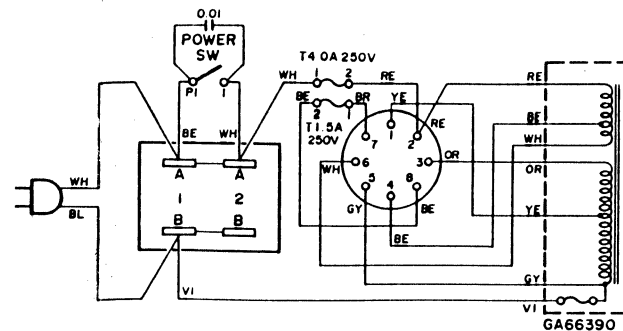
● AUDIO SECTION



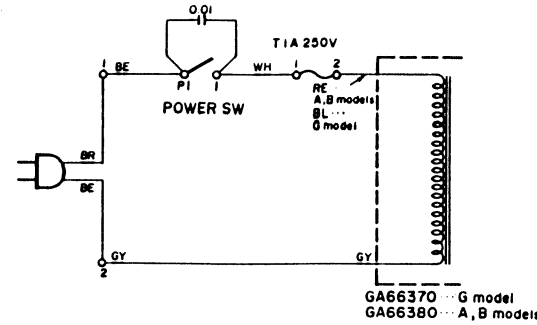
VOLTAGE SELECTOR

Voltage	Terminal No.
110V	5-4 2-1
120V	6-5 3-2
220V	7-1 8-4
240V	7-6 8-3

General model



European, British and Australian models



This schematic diagram is for U.S. and Canadian models. The following parts and values differ from each model, so refer to the corresponding column.

	R	U, C	A, B	G
CF101, 102	SFE10.7MMH-A	SFE10.7MMH-A	SFE10.7MMH-A	SFE10.7MS3GHY-A
C140	0.022	0.022	0.022	0.01
C160	820p	820p	820p	1500p
C161, 162	680p	680p	470p	470p
C191, 192	Open	Open	Open	220p
C195, 196	Open	Open	Open	100p
C185 ~ 188	Open	Open	Open	330p
C251, 278	Open	Open	Open	0.01
C279 ~ 284	Open	Open	Open	0.022
C285 ~ 288	Open	Open	Open	4700p
R142	100k	100k	100k	150k
R162	4.7k	4.7k	4.7k	1k
R177	Open	Open	Open	220
R178	15k	15k	15k	12k
R181, 182	47k	47k	47k	39k
R193, 194	10k	10k	10k	5.6k
R195, 196	10k	10k	10k	33k
R226 ~ 228	560	560	560	2.2k
R231, 232	150	150	150	1.5k
R233, 234	Short	Short	Short	1.2k
R333	Open	1/2p 2.2M	Open	Open
R335	680	680	680	220
R336	1k	1k	1k	680
T103	Short	Short	Short	GE20043
IC104	LC7222	LC7220	LC7222	LC7222
F101	T2.0A 250V	2.0A 250V	T1.6A 250V	T1.6A 250V
→ ① ←	Open	Short	Open	Open
→ ② ←	Open	Open	Short	Short
Main (6)	Set	-	-	-

*Schematic diagram is subject to change without notice.

■WARNING

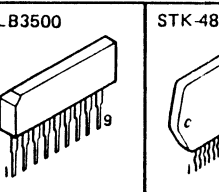
UL Standard 1270 requires that components marked .1. be replaced with parts having specifications equal to those originally installed.

FM/AM SELECTORS

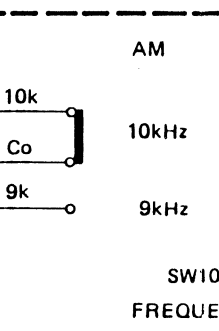
FUNCTION
TUNING/MODE
*All voltages are measured at TR1.
The voltage in the tuner.
Only the voltages at TR1.

PIN CONNECTION D

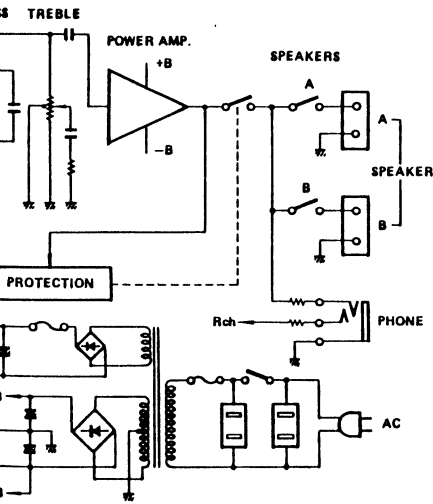
2SA970 (GR, BL)	2SD1
2SA999 (E, F)	2SD6
2SA1127 (R, S, T)	2SD10
2SC1923	2SD13
2SC2088 (BL, V)	
2SC2240 (GR, BL)	
2SC2320 (E, F)	
2SC2634 (R, S, T)	
2SC2878	



MAIN (6)



This schematic diagram is for U.S. and Canadian models. The following parts and values differ from each model, so refer to the corresponding column.

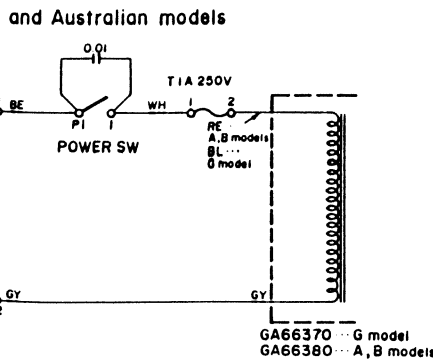


	R	U, C	A, B	G
CF101, 102	SFE10.7MMH-A	SFE10.7MMH-A	SFE10.7MMH-A	SFE10.7MS3GHY-A
C140	0.022	0.022	0.022	0.01
C160	820p	820p	820p	1500p
C161, 162	680p	680p	470p	470p
C191, 192	Open	Open	Open	220p
C195, 196	Open	Open	Open	100p
C185 ~ 188	Open	Open	Open	330p
C251, 278	Open	Open	Open	0.01
C279 ~ 284	Open	Open	Open	0.022
C285 ~ 288	Open	Open	Open	4700p
R142	100k	100k	100k	150k
R162	4.7k	4.7k	4.7k	1k
R177	Open	Open	Open	220
R178	15k	15k	15k	12k
R181, 182	47k	47k	47k	39k
R193, 194	10k	10k	10k	5.6k
R195, 196	10k	10k	10k	33k
R225 ~ 228	560	560	560	2.2k
R231, 232	160	150	150	1.5k
R233, 234	Short	Short	Short	1.2k
R333	Open	1/2p 2.2M	Open	Open
R335	680	680	680	220
R336	1k	1k	1k	680
T103	Short	Short	Short	GE20043
IC104	LC7222	LC7220	LC7222	LC7222
F101	T2.0A 250V	2.0A 250V	T1.6A 250V	T1.6A 250V
→ ① ←	Open	Short	Open	Open
→ ② ←	Open	Open	Short	Short
Main (6)	Set	-	-	-

*Schematic diagram is subject to change without notice.

WARNING

UL Standard 1270 requires that components marked .1. be replaced with parts having specifications equal to those originally installed.



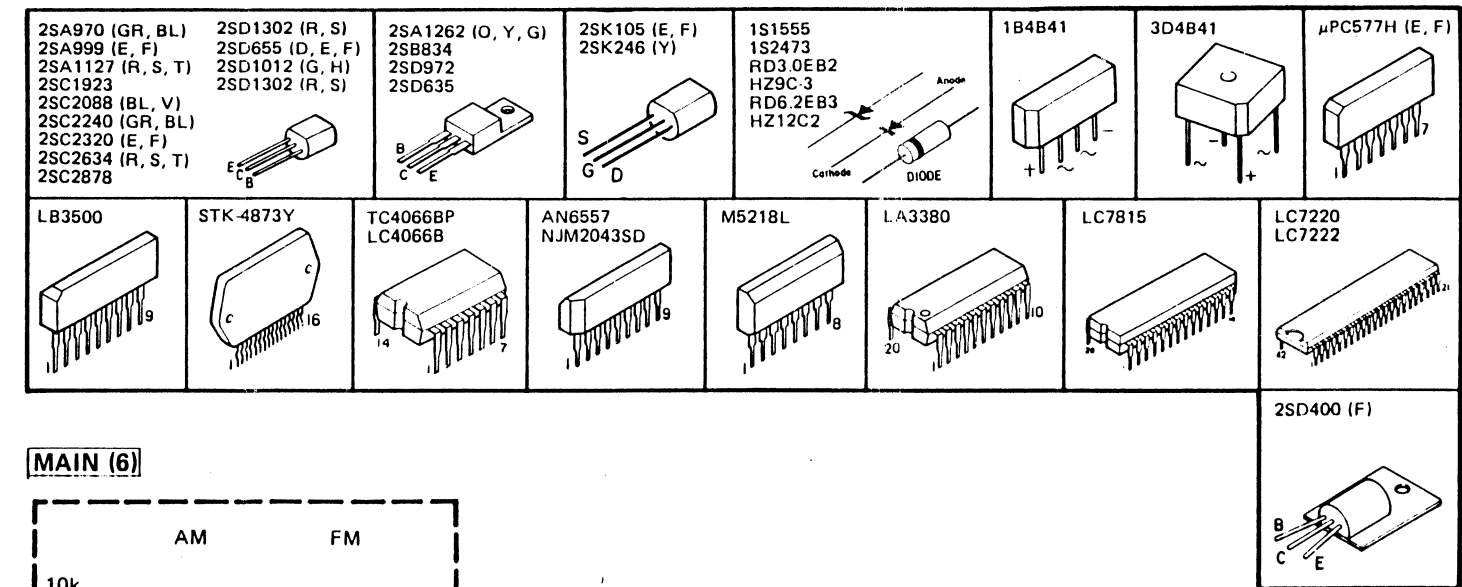
FM/AM SELECTORS → FM
 FUNCTION → TUNER
 TUNING/MODE → AUTO

*All voltages are measured with a 10MΩ/V DC electric volt meter.

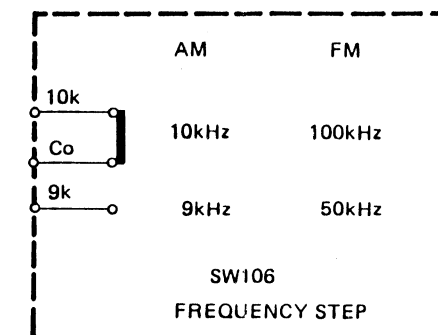
The voltage in the tuner section are measured in FM reception mode.

Only the voltages at TR108 ~ TR116, TR103 and TR104 are measured in AM reception mode.

PIN CONNECTION DIAGRAM OF TRANSISTORS, DIODES AND ICs.



MAIN (6)



PARTS LIST

■WARNING

UL Standard 1270 requires that components marked Δ be replaced with parts having specifications equal to those originally installed.

- Carbon resistors of this receiver are $\frac{1}{4}W$. There is no discription about them in this parts list. Use the "Part No." HJ350000 or equivalent.

■ELECTRICAL PARTS

Ref. No.	Part No.	Description	部 品 名	Remarks	Common Model	Markets
※	NA 08:15:60	Main Circuit Board	Silver	銀 合 成 板		
※	NA 08:15:70	"	"	"		
※	NA 08:15:80	"	"	"		
※	NA 08:15:90	"	"	"		
※	NA 08:16:00	"	"	"		
※	NA 08:16:10	"	Black	"		
※	NA 08:16:20	"	"	"		
	FG 41:13:90	Ceramic Cap.	39pF 50V	セラコン	C245,246	
	FG 41:14:70	"	47pF 50V	"	C221,222	
	FG 41:21:00	"	100pF 50V	"	C141	
	FG 41:21:00	"	100pF 50V	"	C195,196	G
	FG 41:22:20	"	220pF 50V	"	C189,190,216,237,238	
	FG 41:22:20	"	220pF 50V	"	C191,192	G
	FG 41:23:30	"	330pF 50V	"	C185~188	G
	FG 41:25:60	"	560pF 50V	"	C213,214	
	FG 41:31:00	"	1000pF 50V	"	C108	
	FG 71:31:80	"	1800pF 50V	"	C233,234,247,248	
	FG 41:34:70	"	4700pF 50V	"	C285~288	G
	FG 44:41:00	"	0.01 μ F 50V	"	C105,106,136,144~147,155,180,205,206,261~263	
	FG 44:41:00	"	0.01 μ F 50V	"	C251,278	G
	FG 44:42:20	"	0.022 μ F 50V	"	C279~284	G
	FG 44:42:20	"	0.022 μ F 50V	"	C211,212	
	FG 44:44:70	"	0.047 μ F 50V	"	C231,232,257~260	
	FH 23:41:00	"	0.01 μ F 50V	"	C182	
	Fi 19:12:70	"	27pF 50V	"	C153,154	
	Fi 19:21:00	"	100pF 50V	"	C109,110	
	Fi 21:24:70	"	470pF 50V	"	C116	
	Fi 21:31:00	"	1000pF 50V	"	C113,119	
	Fi 21:34:70	"	4700pF 50V	"	C159,163,164	
	Fi 22:41:00	"	0.01 μ F 25V	"	C102~104,114,115,124~127,137,138,175,210	
	Fi 22:42:20	"	0.022 μ F 25V	"	C128,130,143,168,241,242	
	Fi 22:41:00	"	0.01 μ F 25V	"	C140	G
	Fi 22:42:20	"	0.022 μ F 25V	"	"	R,U,A,C,B
	FS 25:26:80	Semi Conductive Ceramic Cap.	680pF 50V	S A コ ン	C173	
	FS 25:28:20	"	820pF 50V	"	C160	R,U,A,C,B
	UA 25:31:50	Mylar Cap.	1500pF 50V	マイラコン	"	G
	FZ 00:35:80	Electrolytic Cap.	47000 μ F 5.5V	ケミコン	C157	
※	FZ 00:37:90	Ceramic Cap.	0.1 μ F 25V	セラコン	C229,230	
※	FZ 00:39:50	Electrolytic Cap.	5600 μ F 45V	ケミコン	C264,265	Δ
	UA 25:24:70	Mylar Cap.	470pF 50V	マイラコン	C161,162	A,G,B
	UA 25:26:80	"	680pF 50V	"	"	R,U,C
	UA 25:31:00	"	1000pF 50V	"	C165,166	
	UA 25:41:00	"	0.01 μ F 50V	"	C170,174	
	UA 25:41:50	"	0.015 μ F 50V	"	C120	
	UA 25:41:60	"	0.016 μ F 50V	"	C199,200	
	UA 25:41:80	"	0.018 μ F 50V	"	C217~220	
	UA 25:42:20	"	0.022 μ F 50V	"	C112	
	UA 25:44:70	"	0.047 μ F 50V	"	C117,167	
	UA 25:45:60	"	0.056 μ F 50V	"	C197,198	
	UA 25:51:00	"	0.1 μ F 50V	"	C148	
	UW 91:73:30	Electrolytic Cap.	33 μ F 6.3V	ケミコン	C277	
	UW 91:74:70	"	47 μ F 6.3V	"	C176	

* New Parts (新規部品)

Ref. No.	Part No.	Description	部 品 名	Remarks	Common Model	Markets
UW	91 81 00	Electrolytic Cap.	100 μ F 6.3V	ケ ミ コ ン	C138,179,193,194	
UW	91 82 20	"	220 μ F 6.3V	"	C111,156	
UW	82 74 70	"	47 μ F 10V	"	C276	
UW	83 82 20	"	220 μ F 16V	"	C203	
UW	93 71 00	"	10 μ F 16V	"	C101,107,118,129,134 135,158,171	
UW	93 72 20	"	22 μ F 16V	"	C178	
UW	93 73 30	"	33 μ F 16V	"	C133,215,274	
UW	93 74 70	"	47 μ F 16V	"	C149	
UW	94 74 70	"	47 μ F 25V	"	C273	
UW	94 92 20	"	2200 μ F 25V	"	C266	
UW	85 72 20	"	22 μ F 35V	"	C239,240	
UW	86 52 20	"	0.22 μ F 50V	"	C181,209	
UW	96 54 70	"	0.47 μ F 50V	"	C122,151,152	
UW	96 61 00	"	1 μ F 50V	"	C121,131,132,150,169,172,183, 184,208,207,269,272,275	
UW	96 63 30	"	3.3 μ F 50V	"	C123	
UW	96 64 70	"	4.7 μ F 50V	"	C177,201,202,207,227,228 235,236,142	
UW	96 71 00	"	10 μ F 50V	"	C204,223-228,250,252, 254,270,271	
UW	96 72 20	"	22 μ F 50V	"	C268	
UW	96 74 70	"	47 μ F 50V	"	C253,255,256	
UW	86 81 00	"	100 μ F 50V	"	C249	
FY	00 01 90	Trimmer Cap.	5p	ト リ マ ー コ ン	VC101	
GD	90 03 40	Output Coil	1.5 μ H	ア ウ ト プ ッ ト コ イ ル	L107,108	
GE	30 04 50	Inductor	1mH	イ ン ダ ク タ ー	L102,103	
GE	30 05 00	"	12 μ H	"	L101,106	
GE	30 05 10	"	12 μ H	"	L104	
GE	90 06 90	"	8.2mH	"	L105	
GE	10 06 50	FM IFT	GE10065	F M I F T	T101	
GE	10 02 80	FM Discriminator Coil	GE10028	F M デ ィ ス ク リ コ イ ル	T102	
GE	20 04 30	Anti-birdie Filter	114kHz	ア ン チ バ ー デ ィ ー フ ィ ル タ ー	T103	G
GG	00 06 60	AM Ceramic Filter	SFU-450B9	A M セ ラ ミ ッ ク フ ィ ル タ ー	CF103	
GG	00 06 50	"	SFZ-450C3N	"	CF104	
GG	00 06 70	FM Ceramic Filter	SFE10.7 MMH-A	F M セ ラ ミ ッ ク フ ィ ル タ ー	CF101,102	R,U,A,C,B
GG	00 05 60	"	SFE10.7 MS3GHY-A	"	"	G
HF	85 42 20	Carbon Resistor	22 Ω 1/6W	カ ー ボ ン 抵 抗	R191,192	
HF	85 51 00	"	100 Ω "	"	R125,149,180	
HF	85 51 20	"	120 Ω "	"	R237,238	
HF	85 51 50	"	150 Ω "	"	R103	
HF	85 51 50	"	150 Ω "	"	R231,232	R,U,A,C,B
HF	85 61 50	"	1.5k Ω "	"	"	G
HF	85 52 20	"	220 Ω "	"	R108,122,320	
HF	85 53 30	"	330 Ω "	"	R105,281,282	
HF	85 53 90	"	390 Ω "	"	R217	
HF	85 54 70	"	470 Ω "	"	R267,268,250	
HF	85 55 60	"	560 Ω "	"	R225-228	R,U,A,C,B
HF	85 82 00	"	820 Ω "	"	R145	
HF	85 62 20	"	2.2k Ω "	"	"	G
HF	85 61 00	"	1k Ω "	"	R102,118,206	
HF	85 61 20	"	1.2k Ω "	"	R204,330	

* New Parts (新規部品)

Ref. No.	Part No.	Description	部 品 名	Remarks	Common Model	Markets
※	HF 85 61 20	Carbon Resistor	1.2kΩ 1/6W	カーボン抵抗	R233,234	G
※	HF 85 61 50	"	1.5kΩ "	"	R136,153	
※	HF 85 61 80	"	1.8kΩ "	"	R257,258	
※	HF 85 63 30	"	3.3kΩ "	"	R132,148	
※	HF 85 63 90	"	3.9kΩ "	"	R277~280	
※	HF 85 64 70	"	4.7kΩ "	"	R101,120,154,187,198,243,244,297,298	
※	HF 85 66 80	"	6.8kΩ "	"	R109,110,119	
※	HF 85 71 00	"	10kΩ "	"	R128,129,134,155,187,188,263,264,319,328	
※	HF 85 72 20	"	22kΩ "	"	R111,205,235,236,249	
※	HF 85 72 70	"	27kΩ "	"	R127,271,272	
※	HF 85 73 30	"	33kΩ "	"	R207	
※	HF 85 73 90	"	39kΩ "	"	R325	
※	HF 85 74 70	"	47kΩ "	"	R265,266	
※	HF 85 75 60	"	56kΩ "	"	R219,220,241,242	
※	HF 85 76 80	"	68kΩ "	"	R117	
※	HF 85 78 20	"	82kΩ "	"	R329,252	
※	HF 85 81 00	"	100kΩ "	"	R116,152,170,189,190,213,218,245,246,283,284,307,308,326	
※	HF 85 81 80	"	180kΩ "	"	R321	
※	HF 85 82 20	"	220kΩ "	"	R203	
※	HF 85 83 30	"	330kΩ "	"	R273,274,251	
※	HF 85 84 70	"	470kΩ "	"	R124,143,150,171,255,327	
※	HF 85 88 20	"	820kΩ "	"	R269,270	
※	HF 85 91 00	"	1MΩ "	"	R221~224,275,276	
	HG 30 92 20	"	2.2MΩ RD50S	"	R333	U,C
	HL 71 34 70	Metal Oxide Film Resistor	4.7Ω 1P	酸 金 抵 抗	R305,306,309,310	
	HL 31 51 20	"	120Ω 1P	"	R314	
	HL 71 52 20	"	220Ω 1P	"	R331,332	
	HL 72 53 30	"	330Ω 2P	"	R323	
	HL 33 53 30	"	330Ω 3P	"	R315	
	HV 45 42 20	Flame Proof Carbon Resistor	22Ω RDF25SL	不 燃 化 カ ー ボ ン 抵 抗	R292	
	HV 45 51 00	"	100Ω "	"	R291	
	HV 45 48 20	"	82Ω "	"	R317	
※	HZ 00 29 20	Metal Plate Resistor	0.47Ω 3P	金 属 板 抵 抗	R299,300	
※	HS 41 18 40	VR Unit		V R ユ ニ ッ ト	VR103	
※	HS 41 18 50	Variable Resistor	100KYX2	可 変 抵 抗 器	VR104	
※	HT 57 05 80	Semi Variable Resistor	B10kΩ	半 固 定 抵 抗	VR102	Interchangeable
	HT 37 00 20	"	B10kΩ	"	"	
	HT 37 00 30	"	B100kΩ	"	VR101	
※	HW 39 41 00	Fuse Resistor	10Ω 1/4W	ヒ ュ ー ズ 抵 抗	FR101	
	iA 09 70 00	Transistor	2SA970 (GR,BL)	ト ラ ン ジ ス タ	TR113	
	iA 09 99 10	"	2SA999 (E,F)	"	TR106,112,115~117,126,128,129,130,142~144	Inter-changeable
	iA 11 27 00	"	2SA1127(R,S,T)	"	"	
※	iA 12 62 00	"	2SA1262(O,Y,G)	"	TR136	Interchangeable
	iB 08 34 00	"	2SB834	"	"	
※	iC 19 23 00	"	2SC1923	"	TR103	
	iC 20 88 00	"	2SC2088(BL,V)	"	TR133,134	Inter-changeable
	iC 22 40 00	"	2SC2240(GR,BL)	"	"	
	iC 23 20 10	"	2SC2320(E,F)	"	TR101,102,104,105,107~110,114,118,120~124,127,129,137,138,141	Inter-changeable
	iC 26 34 00	"	2SC2634(R,S,T)	"	"	

* New Parts (新規部品)

Ref. No.	Part No.	Description	部 品 名	Remarks	Common Model	Markets
*	iC 28:78:00	Transistor	2SC2878	ト ラ ン ジ ス タ	TR131,132	Interchangeable
*	iD 13:02:00	"	2SD1302(R,S)	"	"	
*	iD 04:00:20	"	2SD400 (F)	"	TR139,140	
	iD 13:02:00	"	2SD1302(R,S)	"	TR111	Interchangeable
	iD 06:55:00	"	2SD655 (D,E,F)	"	"	
*	iD 10:12:00	"	2SD1012(G,H)	"	"	
*	iD 09:72:00	"	2SD972	"	TR135	Interchangeable
*	iD 06:35:00	"	2SD635	"	"	
	iE 10:12:30	FET	2SK105 (E,F)	F E T	TR119	Interchangeable
	iE 10:26:00	"	2SK246 (Y)	"	"	
	iF 00:00:40	Diode	1S1555	ダ イ オ ー ド	D102,103	Interchangeable
	iF 00:00:40	"	1S1555	"	D101,105-114,119-121,125,127	
	iF 00:06:70	"	1S2473	"	"	
	iF 00:18:40	Zener Diode	RD3.0EB2	ツェナーダイオード	D104	
	iF 00:33:20	"	HZ9C-3	"	D123,124	
	iF 00:34:40	"	RD6.2EB3	"	D126	
*	iF 00:44:30	"	HZ12C2	"	D122	
	iH 00:08:10	Diode Bridge	1B4B41	ダイオードブリッジ	D117	
	iH 00:10:30	"	3D4B41	"	D118	
	iG 00:12:70	IC	TC4066BP	I C	IC108	Interchangeable
*	iG 08:92:00	"	LC4066B	"	"	
	iG 02:92:20	"	LA3380	"	IC105	
	iG 03:45:00	"	μPC577H(E,F)	"	IC101,102	
	iG 05:82:00	"	M5218L	"	IC109	
*	iG 07:45:00	"	LC7220	"	IC104	U,C
*	iG 07:46:00	"	LC7222	"	"	R,A,G,B
*	iG 08:01:00	"	LC7815	"	IC107	
*	iG 08:50:00	"	LB3500	"	IC103	
*	iG 08:52:00	"	AN6557	"	IC106	Interchangeable
*	iG 08:29:00	"	NJM2043SD	"	"	
*	iG 08:88:00	"	STK-4853Y	"	IC110	△
	KA 40:09:40	Slide Switch	SSB-022	ス ラ イ ド ス イ ッ チ	SW101	R
	KA 80:28:20	Push Switch		プ ッ シ ュ ス イ ッ チ	SW106	
*	KA 80:35:80	"		"	SW102	
*	KA 80:37:40	"		"	SW107	
	KA 90:29:30	Switch		タ ク ト ス イ ッ チ	SW103~105	
	KB 00:03:50	Fuse	T2.0A 250V	ヒ ュ ー ズ	F101	R △
	KB 00:16:60	"	T1.6A 250V	"	"	A,G,B △
	KB 00:10:30	"	2.0A 250V	"	"	U,C △
	KC 00:11:00	Relay	DC12V	リ レ ー	RY101	R,A,G,B △
*	KC 00:14:90	"	"	"	"	U,C △
*	LB 20:22:90	Pin Jack	2P	ピ ン ジャ ッ ク	PJ101,103	
*	LB 40:10:30	"	4P	"	PJ102	
*	LB 30:17:50	Headphone Jack	Gray	ヘ ッ ド ホ ン ジャ ッ ク	JK101	
*	LB 30:17:60	"	Black	"	"	R,G

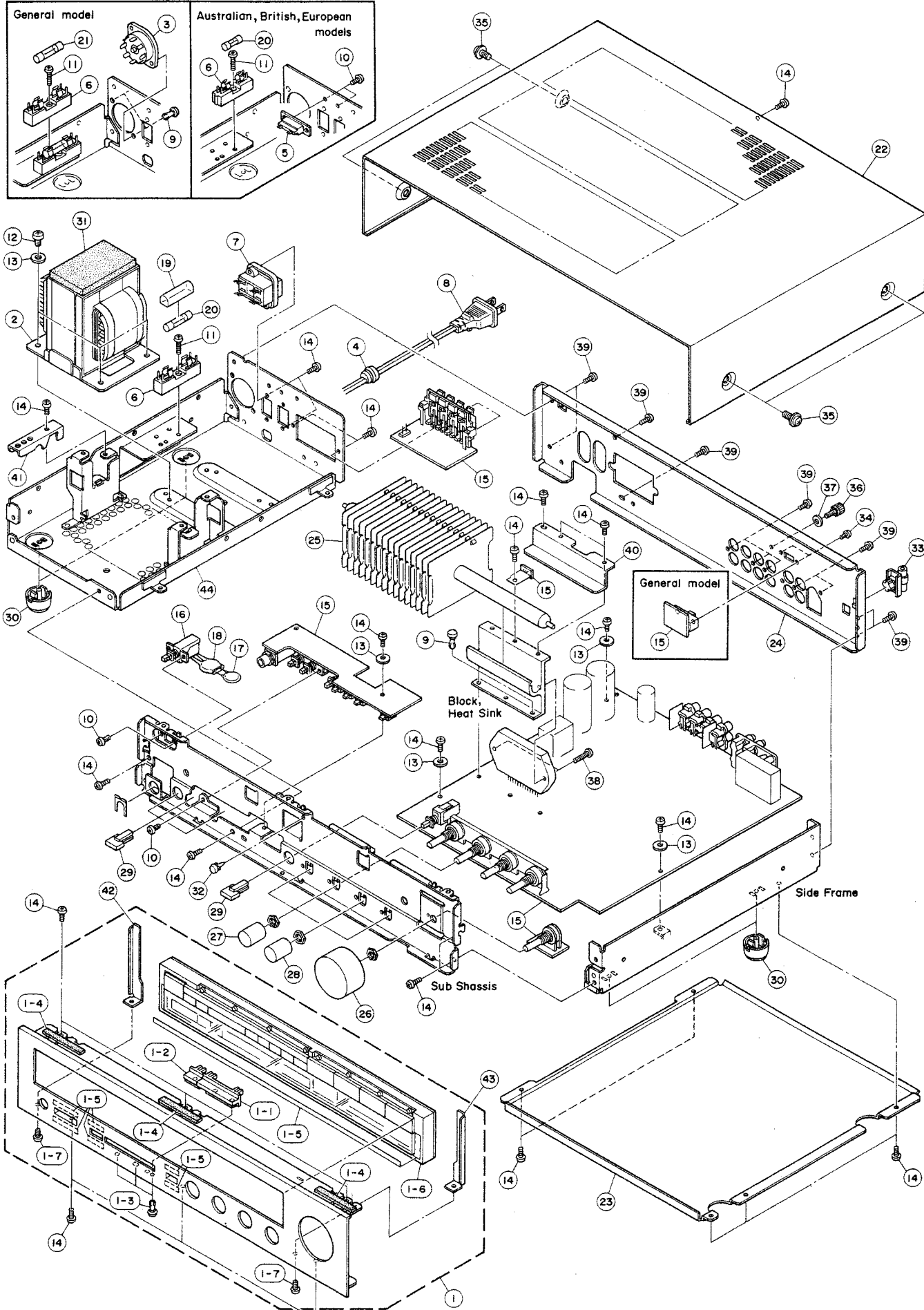
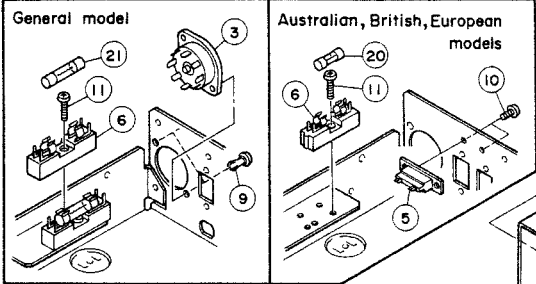
* New Parts (新規部品)

Ref. No.	Part No.	Description	部 品 名	Remarks	Common Model	Markets
※	PA 00:07:50	Front End Pack	FE529U12	フロントエンドバック	PK101	
※	QU 00:38:00	Quartz Crystal Unit	7.2MHz	水 晶 振 動 子	XL101	
	LA 00:21:10	Wrapping Terminal	P=5 2P i-Type	i 型ラッピング端子板		U,G,C
	LA 00:20:00	"	P=7.5 2P i-Type	"		
	LA 00:23:20	"	P=7.5 3P i-Type	"		R,U,A,C,B
	LA 00:25:70	"	P=7.5(O) 3P i-Type	"		G
	LA 00:39:90	Antenna Terminal	5P	ア ン テ ナ 端 子 板		R,U,A,C
	LA 00:40:00	"	5P	"		G,B
※	LA 00:42:50	Speaker Terminal		ス ピ ー カ ー タ ー ミ ナ ル		R,A,B
※	LA 00:43:30	"		"		U,G,C
※	NA 08:10:80	AM Coil Pack		A M コ イ ル バ ッ ク		
※	LB 92:10:40	Connector Plug	4P(i-Type)	コ ネ ク タ ー プ ラ グ		
※	LB 92:10:50	"	5P(i-Type)	"		
※	LB 92:10:70	"	7P(i-Type)	"		
※	LB 92:11:20	"	12P(i-Type)	"		
	LB 20:18:80	Fuse Holder Pin		ヒ ュ ー ズ ホ ル ダ ー ピ ン		
	LB 20:13:90	2.5 Pitch Base Pin		2.5ピッチベースピン		
	BA 08:40:00	Radiator		放 熱 器		
※	BA 08:57:50	Radiation Block		放 熱 ブ ロ ッ ク		
	BB 06:83:70	Ground Plate		ア ー ス 金 具		
	CB 06:88:80	Plastic Rivet		プ ラ ス チ ッ ク リ ベ ッ ト		
	Ei 33:00:86	Binding Head Tapping Screw	3×8 FCM3-B ϵ	バ イ ン ド タ ッ ピ ン グ ネ ジ	PACK	
	Ei 33:01:46	"	3×14 FCM3-B ϵ	"	PACK	
	CB 06:92:50	Binding Tie	BK-1	イ ン シ ュ ロ ッ ク タイ		

※ New Parts (新規部品)

EXPLODED VIEW (All-over)

1
2
3
4
5
6
7



MECHANISM PARTS (All-over)

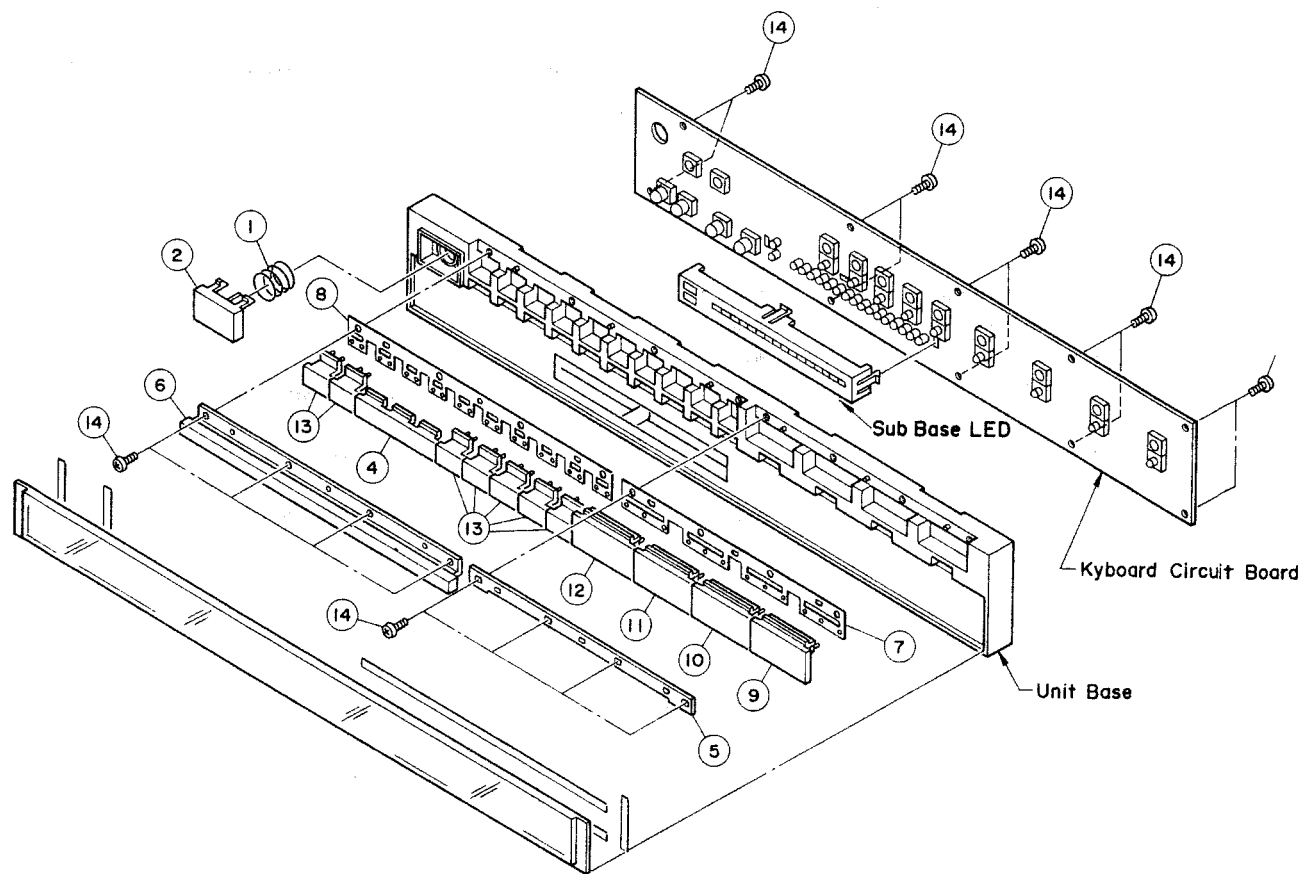
Ref. No.	Part No.	Description	部 品 名	Remarks	Common Model	Markets
* 1	NB 61 16 30	Front Panel Unit	Silver	パネ ル ユ ニ ッ ト		
* "	NB 61 16 40		Black	"		R.G
* 1-1	CB 61 80 80	Button	Silver	シ ー ソ ー ボ タ ン		
* "	CB 61 80 90	"	Black	"		R.G
* 1-2	CB 61 81 10	"	Silver	シ ン グ ル ボ タ ン		
* "	CB 61 81 20	"	Black	"		R.G
1-3	CB 06 88 80	Plastic Rivet		プ ラ ス チ ッ ク リ ベ ッ ト		
1-4	CB 08 50 50	Antivibration Tape		防 振 テ ー プ		
1-5	CB 07 41 90	Adhesive Tape		ダ ブ ル タ ッ ク テ ー プ		
* 1-6	PB 06 27 70	Keyboard Unit	Silver	キ ー ボ ー ド ユ ニ ッ ト		
* "	PB 06 27 80	"	Black	"		R.G
1-7	ED 03 00 66	Binding Head Screw	3×6 ZMC2-Y	バ イ ン ド 小 ネ ジ		
* 2	GA 66 36 00	Power Transformer		電 源 ト ラ ン ス		U
* "	GA 66 37 00	"		"		G
* "	GA 66 38 00	"		"		A.B
* "	GA 66 44 00	"		"		C
* "	GA 66 39 00	"		"		R
3	LB 20 14 80	Voltage Selector		電 圧 切 換 器		R
4	CB 07 27 50	Cord Stopper	SR-4N-4	コ ー ド ス ト ッ パ ー		
5	LA 00 29 50	Terminal Board	2P	中 継 端 子 台		A.G.B
6	LB 20 13 00	Fuse Holder		ヒ ュ ー ズ ホ ル ダ ー		R.U.C
"	LB 20 21 10	"		"		G.B.A
7	LB 40 09 40	AC Outlet		A C ア ウ ト レ ッ ト		C
"	LB 40 10 00	"		"		R.U
8	MG 00 07 80	Power Cord		電 源 コ ー ド		R
"	MG 00 09 20	"		"		A
"	MG 00 09 50	"		"		G
"	MG 00 10 00	"		"		B
"	MG 00 14 50	"		"	Inter- changeable	U.C
"	MG 00 14 60	"		"		U.C
9	CB 06 88 80	Plastic Rivet		プ ラ ス チ ッ ク リ ベ ッ ト		
10	ED 33 00 66	Binding Head Screw	M3×6 FCM3-Bℓ	バ イ ン ド 小 ネ ジ	PACK	
11	ED 33 01 06	Binding Head Tapping Screw	3×10 ZMC2-Bℓ	バ イ ン ド タ ッ ピ ン グ ネ ジ	PACK	
12	ED 34 00 66	Binding Head Screw	4×6 FCM3-Bℓ	バ イ ン ド 小 ネ ジ	PACK	
13	EV 20 31 06	Plain Washer	φ10 ZMC2-Bℓ	平 座 金	PACK	
14	Ei 33 00 86	Binding Head Tapping Screw	3×8 FCM3-Bℓ	バ イ ン ド タ ッ ピ ン グ ネ ジ		R.U.C
* 15	NA 08 15 60	Main Circuit Board	Silver	総 合 シ ー ト		R
* "	NA 08 15 70	"	"	"		U.C
* "	NA 08 15 80	"	"	"		A
* "	NA 08 15 90	"	"	"		G
* "	NA 08 16 00	"	"	"		B
* "	NA 08 16 10	"	Black	"		R
* "	NA 08 16 20	"	"	"		G
16	KA 80 36 10	Push Switch		プ ッ シ ュ ス イ ッ チ	POWER	
17	Fi 38 41 00	Ceramic Cap.	0.01 μ F	セ ラ コ ン		
18	CB 09 52 60	Cover		コ ン デ ン サ ー カ バ ー		
19	CB 09 95 80	Fuse Holder Cover		ヒ ュ ー ズ ホ ル ダ ー カ バ ー		U
20	KB 00 03 40	Fuse	T1.5A 250V	ヒ ュ ー ズ		R
"	KB 00 07 30	"	T1A 250V	"		G.B.A
"	KB 00 18 80	"	3A 250V	"		U.C
21	KB 00 03 60	"	T3A 250V	"		R
* 22	AA 61 53 90	Top Cover	Silver	ト ッ プ カ バ ー		
* "	AA 61 54 00	"	Black	"		

* New Parts (新規部品)

Ref. No.	Part No.	Description	部 品 名	Remarks	Common Model	Markets
* 23	AA 61 63 40	Bottom Cover	Silver	ボトムカバー		
* "	AA 61 76 90	"	Black	"		R.G
* 24	AA 61 63 60	Rear Panel		リアパネル		R
* "	AA 61 63 70	"		"		U.C
* "	AA 61 63 80	"		"		G.B
* "	AA 61 63 90	"		"		A.B
* 25	BA 08 57 30	Heat Sink	25W	ヒートキッカー		
* 26	BA 08 48 90	Knob	Silver	ツマミ	VOLUME	A-500
"	BA 08 50 90	"	Black	"	"	R.G
27	BA 08 39 50	"	Silver	"	BASS, TREBEL BALANCE	A-05
"	BA 08 58 70	"	Black	"	"	R.G
28	BA 08 44 90	"	Silver	"	LOUDNESS	"
"	BA 08 45 00	"	Black	"	"	R.G
29	CB 61 01 30	Push Button	Silver	プッシュボタン	SPEAKERS, FM MODE, BASS, EXTENTION	K-200
"	CB 61 01 40	"	Black	"	"	R.G
30	CB 61 03 90	Leg		脚		"
* 31	CB 61 90 10	Rubber Antivibration		防振ゴム		
32	CB 08 17 00	Clip		クリップ		CR-420
33	CB 60 74 70	Antenna Holder		アンテナホルダー		T-960II
34	ED 32 60 46	Binding Head Screw	M2.6x4FCM3-B $\frac{1}{2}$	バインド小ネジ	PACK	R
35	EZ 00 13 10	Cup Screw	4x8 FNM3-3g	カップタイトネジ	Silver	
"	EZ 00 13 20	"	4x8 FCM3-B $\frac{1}{2}$	"	Black	R.G
36	EZ 00 14 00	Ground Terminal Screw	3x13.5 MFNi-II	アース端子ネジ		
37	EV 90 13 60	Sens Plain Washer	$\phi 10 \times \phi 3.6 \times 0.8$ FNM3-3g	セムス平座金		
38	EZ 00 13 50	Cup Screw	3x14 FCM3-B $\frac{1}{2}$	カップスクリュ(Bタイト)		
39	EN 30 00 16	Bind Bonding Head Tapping Screw	3x8 FCM3-B $\frac{1}{2}$	バインドボンディングタッピングネジ	PACK	
* 40	AA 61 64 60	Pipe Holder		パイプホルダー		
* 41	AA 61 64 70	Pipe Lock		パイプロック		
* 42	AA 61 64 80	Unit Base Holder	A	ユニットベースホルダーA		
* 43	AA 61 64 90	"	B	" B		
* 44	AA 61 63 20	Holder, Transformer		トランスホルダー		
	CB 06 92 50	Binding Tie	BK-1	インシュロックタイ		
		Accessories Assembly		付属品 Assy		
* Mi	08 28 50	Antenna	FM	FMQ マッチアンテナ		
* Mi	08 29 10	Loop Antenna	AM	ループアンテナ		

* New Parts (新規部品)

EXPLODED VIEW (Keyboard Unit)



MECHANISM PARTS (Keyboard Unit)

Ref. No.	Part No.	Description	部 品 名	Remarks	Common Model	Markets
※	PB 06 27 70	Keyboard Unit	Silver	キーボードユニット		
※	PB 06 27 80	"	Black	"		
※	1	AX 60 00 40 Spring	SUS304WPB	スプリング		
	2	CB 61 73 20 Button	Silver	ボタン	POWER	
	"	CB 61 73 30 "	Black	"	"	
	4	CB 61 74 80 Cover, Button	Silver	ボタンカバー		
	"	CB 61 74 90 "	Black	"		
※	5	AX 60 00 70 Spring Hold	t 1.6	バネ押え		
	6	CB 61 75 00 Button Blow	Silver	ボタンプロー	PRESET	
	"	CB 61 75 10 "	Black	"	"	
※	7	AX 60 00 50 Spring, Button		ボタンバネ	INPUT	
	8	AX 60 00 60 "		"	PRESET	
	9	CB 61 73 80 Button	Silver	ボタン	TUNER	
	"	CB 61 74 20 "	Black	"	"	
	10	CB 61 73 90 "	Silver	"	DAD/AUX	
	"	CB 61 74 30 "	Black	"	"	
	11	CB 61 74 00 "	Silver	"	PHONO	
	"	CB 61 74 40 "	Black	"	"	
	12	CB 61 74 10 "	Silver	"	TAPE MONITOR	
	"	CB 61 74 50 "	Black	"	"	
	13	CB 61 73 40 "	Silver	"	PRESET	
	"	CB 61 73 50 "	Black	"	"	
	14	FA 02 60 66 Pan Head Tapping Screw	M2.6x6 ZMC2-Y	ナベタッピングネジ	PACK	

18 ※ New Parts (新規部品)

R-30

YAMAHA

