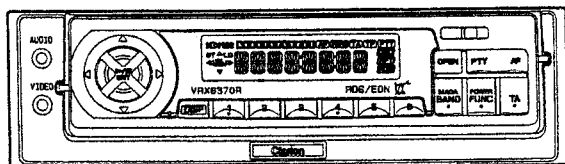


# Service Manual



TV/RDS-EON/FM-MPX/MW/LW  
 RADIO WITH CD/MD CHANGER  
 CONTROL

Model **VRX8370R**  
 (QC-5550E-A)

## ■ SPECIFICATIONS

### FM Tuner section

Frequency range: 87.5MHz to 108.0MHz  
 (0.05MHz steps)  
 Usable sensitivity: 12dBf(new IHF)  
 50dB quieting sensitivity:  
 18dBf(new IHF)  
 Signal-to-noise ratio: 70dB(IHF · A)  
 Frequency response: 30 to 15kHz ±3dB  
 Stereo separation: 35dB(1KHz, 60dB)

### AM Tuner section

Frequency range: MW 531kHz to 1602kHz  
 (9kHz steps)  
 LW 153kHz to 279kHz  
 (3kHz steps)  
 Usable sensitivity: 28dB(μV)  
 Signal-to-noise ratio: 50dB(monaural)

### TV Tuner section

Reception channels: VHF CCIR 2 to 12 ch  
 UHF CCIR 21 to 69 ch  
 Maximum sensitivity: VHF 35dB(μV) or less  
 UHF 40dB(μV) or less

### Input/Output section

Video input: 1.0±0.2Vp-p  
 (input impedance 75Ω)  
 VTR video input 3.5Φmini-jack  
 Audio input: 130±60mVrms  
 (input impedance 10kΩ or greater)  
 VTR audio input 3.5Φmini-jack

Video output: 1.0±0.2Vp-p  
 (input impedance 75Ω)  
 RGB input: 0.7±0.2Vp-p  
 (input impedance 75Ω)  
 Synchronize 0.3V+0.9-0.1Vp-p  
 (input impedance 75Ω)

### Audio Amplifier section

Rated power output: 14W×4(20Hz to 20KHz, 1%, 4Ω)  
 Maximum power output:  
 30W×4  
 Speaker impedance: 4Ω(4 to 8Ω)

### LCD monitor section

Screen size: 5-inch  
 (102mm Width×74mm Height)  
 Display method: Transmission type TN liquid crystal display  
 Drive method: TFT(thin-film transistor) active matrix driving  
 Pixels: 224,640(960×234)

### General

Power source voltage: 14.4V DC  
 Ground: Negative  
 Current consumption: 4.0A(1W)  
 Dimensions(mm): (source unit)  
 178(W)×50(H)×156(D)  
 (tuner and amplifier unit)  
 206(W)×50(H)×195(D)

Weight:	(source unit)	
	1.5kg	
	(tuner and amplifier unit)	
	1.2kg	

※ Specifications and design are subject to change without notice for further improvement.

## COMPONENTS

### QC-5550E-A

Source unit	_____	1
Tuner amplifier unit	_____	1
Connection lead (20pin DIN lead) (for the source unit and tuner amplifier unit)	855-0500-00	1
Connection lead (13pin C-BUS lead) (for the source unit and tuner amplifier unit)	854-3327-00	1
Antenna extension lead	093-1465-02	1
Power supply lead (for the tuner amplifier unit)	854-6303-02	1
Parking sensor extension lead(orange)	854-6302-00	1
Extension lead for security camera(white/red)	854-6304-00	1
Bag for accessories of the source unit		
Flat head screw(M5×8)	714-5008-41	4
Sems hexagonal bolt(M5×8)	716-0496-01	5
Bag for accessories of the source unit		
Hook plate	330-8216-01	2
Cord clamp	335-0833-01	1
Spacer	345-3653-01	1
Mounting screw	716-0726-01	1
Bag for accessories of the tuner amplifier unit		
Mounting bracket	300-7362-00	2
Clip	335-2515-00	4
Mounting screw(M4×8)	714-4008-80	4
Universal mounting bracket	300-9035-01	1
Remote control unit	RCB-114-300	1
Battery (for remote control unit)	_____	1
Outer escutcheon	940-7715-01	1

## To engineers in charge of repair or inspection of our products.

Before repair or inspection, make sure to follow the instructions so that customers and Engineers in charge of repair or inspection can avoid suffering any risk or injury.

### 1. Use specified parts.

The system uses parts with special safety features against fire and voltage. Use only parts with equivalent characteristics when replacing them.

The use of unspecified parts shall be regarded as remodeling for which we shall not be liable. The onus of product liability (PL) shall not be our responsibility in cases where an accident or failure is as a result of unspecified parts being used.

### 2. Place the parts and wiring back in their original positions after replacement or re-wiring.

For proper circuit construction, use of insulation tubes, bonding, gaps to PWB, etc, is involved. The wiring connection and routing to the PWB are specially planned using clamps to keep away from heated and high voltage parts. Ensure that they are placed back in their original positions after repair or inspection. If extended damage is caused due to negligence during repair, the legal responsibility shall be with the repairing company.

### 3. Check for safety after repair.

Check that the screws, parts and wires are put back securely in their original position after repair. Ensure for safety reasons there is no possibility of secondary problems around the repaired spots.

If extended damage is caused due to negligence of repair, the legal responsibility shall be with the repairing company.

### 4. Caution in removal and making wiring connection to the parts for the automobile.

Disconnect the battery terminal after turning the ignition key off. If wrong wiring connections are made with the battery connected, a short circuit and/or fire may occur. If extensive damage is caused due to negligence of repair, the legal responsibility shall be with the repairing company.

### 5. Cautions regarding chips.

Do not reuse removed chips even when no abnormality is observed in their appearance. Always replace them with new ones. (The chip parts include resistors, capacitors, diodes, transistors, etc). The negative pole of tantalum capacitors is highly susceptible to heat, so use special care when replacing them and check the operation afterwards.

### 6. Cautions in handling flexible PWB

Before working with a soldering iron, make sure that the iron tip temperature is around 270°C. Take care not to apply the iron tip repeatedly (more than three times) to the same patterns. Also take care not to apply the tip with force.

### 7. Turn the unit OFF during disassembly and parts replacement. Recheck all work before you apply power to the unit.

## NOTE

### 1. Connection to the DSP/equalizer

When connecting the DSP or equalizer, the switch (Normal/DSP equalizer) on the attached tuner amplifier unit should be set to "D".

### 2. Switching the VTR system between NTSC and PAL

Switch to the VTR system you use.

1. Press the ADJ button to go to the CONFIGURATION mode.
2. Slide the  $\alpha$ -selector to  $\blacktriangle$  (up) or  $\blacktriangledown$  (down) to move the cursor to "VTR N/P".
3. Slide the  $\alpha$ -selector  $\blacktriangleright$  (right) to select "NTSC" or "PAL".
4. Press the ADJ button to return to the previous mode.

### 3. Switching the TV diversity

The 4-channel TV diversity can be turned on and off if you connected an additional antenna.

When one antenna is connected, the diversity should be "OFF"(factory setting is "ON"). Wrong setting may cause noise.

1. Press the ADJ button to go to the CONFIGURATION mode.
2. Slide the  $\alpha$ -selector to  $\blacktriangle$  (up) or  $\blacktriangledown$  (down) to move the cursor to "TV DIVER".
3. Slide the  $\alpha$ -selector  $\blacktriangleright$  (right) to select "ON" or "OFF".
4. Press the ADJ button to return to the previous mode.

### 4. Setting the receiving country

This function is not available when the display is stored.

Depending on the country to be received, switch the area as follows.

1. Press the ADJ button to go to the CONFIGURATION mode.
2. Slide the  $\alpha$ -selector to  $\blacktriangle$  (up) or  $\blacktriangledown$  (down) to move the cursor to "COUNTRY".
3. The country currently set is displayed when ENT of the  $\alpha$ -selector is pressed.

4. Slide the  $\alpha$ -selector to  $\blacktriangledown$  (down) or  $\blacktriangle$  (up) to move the cursor of the to a country to be received and press ENT of the  $\alpha$ -selector.

5. Press the ADJ button to return to the previous mode.

### 5. Note on the TV display (PAL system) with the country set to Italy

If the country has been set to Italy, some operation names in the TV mode will be given in Italy, as shown below:

Preset Scan  $\rightarrow$  SCANSIONE  
Auto Store  $\rightarrow$  MEMORIZZA  
ONLY  $\rightarrow$  SOLO

### 6. Note on the TV(PAL system) sound mute function with the country set to Italy

When you have switched to the TV mode (or, turned on the power to the TV mode, performed a preset call, or switched the bands), the mute function may be automatically invoked if signals from the current station is weak. The function will be cleared once the receiving condition has been improved.

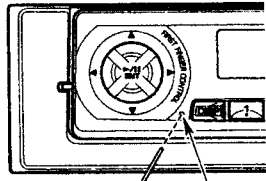
## ■ ERROR DISPLAYS

\* If an error occurs, the type of error is displayed.

Take the measures described below to eliminate the problem.

Display	Name of error	Description
ERROR1	Memory error	This error occurs if the disc loading data, etc., is lost due to wear of the CD/MD changer's battery. (Remove all the discs from the magazine, insert the empty magazine and press the eject key to return to the first disc.)
ERROR2	Mechanical error	This error occurs if there is a problem with the mechanism and the eject or disc(CD/MD) selection operation is not completed in the specified amount of time.
ERROR3	Functional error	This error occurs if the pickup cannot focus after several tries due to scratches on the disc(CD/MD), signal interference, etc. (Replace the disc.)
ERROR6	Disc error	This error occurs when the disc(CD/MD) is loaded upside-down. (Reload the disc properly.)
TEMP ERROR	Temperature error	This error occurs when the CD/MD mechanism's temperature sensor detects that the temperature is too high. (When the temperature returns to normal, playback starts.)

## ■ TROUBLESHOOTING

Symptom	Cause	Measure
Power does not switch on. (There is no sound produces.)	The fuse has blown.	Replace the fuse with one of the same rating(0.5A or 10A for this unit). If the fuse blows again, contact the store where you purchased the unit.
Nothing happens when buttons are pressed, or the display is not accurate.	Noise, etc., is causing the microprocessor to malfunction.	Press the reset button with the tip of a very fine instrument for about 2 seconds. 
DSP/EQ does not operate.	The switch of the tuner unit is set to "N".	Turn off the ignition switch once and set the switch to "D".
Picture does not appear. Picture has shadow or shadows.	Parking brake is not applied. Signal condition is poor.	Check that the parking brake is fully applied. This may be due to signals reflected off mountains or buildings. Check again in a different place and direction.
LCD panel is not drawn in when it is set to the horizontal position.	Foreign object at back of tray.	Eject the compact disc and then insert another one.
Screen is dark.	Brightness is adjusted too low. Usage conditions are poor.	Check that the brightness is properly adjusted in the CONFIGURATION mode and set it properly. This may happen if the temperature in the car is below -10°C or above 60°C. Check again when the temperature is between 0 and 60°C.
Colors are pale or hue is poor.	COLOR (tone of color) and HUE are not adjusted appropriately.	Select the CONFIGURATION display and adjust the color and hue density using the COLOR and HUE controls.
Picture doubles or triples.	Signal condition is poor.	This may be due to signals reflected off mountains or buildings. Check again in a different place and direction.
Sports or stripes on picture.	Interference signals.	This may be caused by interference from other cars, trains, high voltage lines, neon lights, etc. Check again in another place.
The compact disc does not enter.	There is already a compact disc inside the disc insertion slot.	Eject the compact disc and then insert another one.
The compact disc soon comes out again.	The compact disc has been inserted upside down.	Insert the compact disc with the labeled side facing up.
Sound skipping noise and other noise are heard.	The compact disc is dirty. The compact disc is severely scratched or warped.	Wipe the compact disc with a soft cloth. Replace the compact disc with one that is in good condition.
The sound is poor immediately after switching on the power.	When the car is parked in a humid place, dew might form on the internal lens.	Turn the unit on and wait for about 1 hour before operating.
When the VTR is connected, the display image is deformed.	NTSC/PAL setting is wrong.	Set NTSC or PAL in the CONFIGURATION display according to your VTR.

## ADJUSTMENT

### Source unit section

#### 1. DC-DC converter output voltage adjustment

- Adjust VR602 so that the voltage of TP601 will become  $5.3 \pm 0.02V$ . Make sure that the voltage has become the following value at each test point.

TP602:	$7.5 \pm 0.5V$
TP611:	$12.7 \pm 0.5V$
TP601:	$-8.9 \pm 0.5V$

#### 2. VIDEO signal adjustment

Input the visual signal (1.0Vp-p, 10step wave, APL=50%, monochrome) into the VTR1 input.

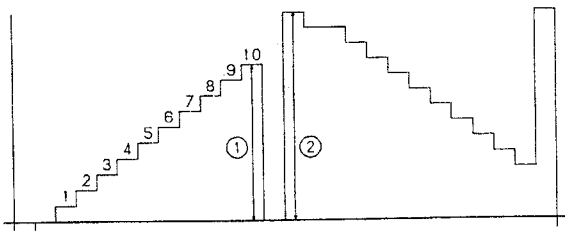


Fig.1

##### 1. BRIGHT adjustment

Adjust the brightness of the environment setting screen so that the TP607 voltage becomes  $2.07 \pm 0.02V$

##### 2. $\gamma 0$ Adjustment

Adjust VR604 so that the voltage of TP606 will become  $2.30 \pm 0.05V$ .

##### 3. $\gamma 2$ Adjustment

Adjust VR603 so that the voltage of TP605 will become  $2.19 \pm 0.05V$ .

##### 4. RGB-AMP adjustment

Adjust the TP613 with VR605 so that the black-black level in Fig.1-② on synchroscope screen becomes  $4.0 \pm 0.05Vp-p$ .

##### 5. CONT-G Adjustment

Adjust the TP613 with VR609 so that the CONT-G level in Fig.1-① on synchroscope screen becomes  $3.8 \pm 0.05Vp-p$ .

##### 6. CONT-R Adjustment

Adjust the TP612 with VR607 so that the CONT-R level in Fig.1-① on synchroscope screen becomes  $3.8 \pm 0.05Vp-p$ .

##### 7. CONT-B Adjustment

Adjust the TP614 with VR606 so that the CONT-B level in Fig.1-① on synchroscope screen becomes  $3.8 \pm 0.05Vp-p$ .

##### 8. VCOM-AC Amplitude Adjustment

Adjust the TP604 with VR608 so that the VCOM-AC level in Fig.2 on synchroscope screen becomes  $8.0 \pm 0.1Vp-p$ .



Fig.2

##### 9. VCOM-DC bias voltage adjustment

Adjust VR601 so that black bar comes to the left side of screen as shown in Fig.3.

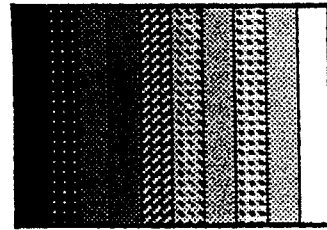


Fig.3

##### 10. Burst cleaning coil adjustment

Connect the synchroscope to TP614. Adjust L609 so that the wave form deviation of TP614 is minimized.

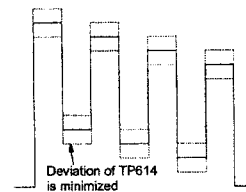


Fig.4

##### 3. Dot clock adjustment

Return the screen to the radio screen. Then, adjust with TC501 so that the amplitudes of A and B become the same as shown in Fig.5.

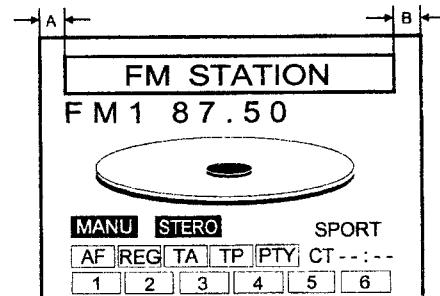


Fig.5

### Tuner amplifier section

#### 1. Adjustment of LLD coil and measurement of image frequency specification.

- Connect the measuring equipment as shown in Fig.6.

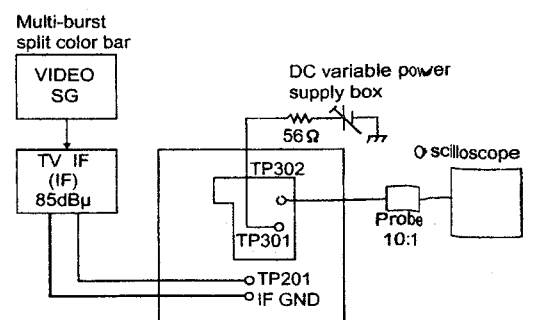


Fig.6

- Remove the solder bridge of TP201. And, input the following signal to L18.
  - Frequency : P:38.9MHz S:33.4MHz (invert mode)
  - Output level : 85dB  $\mu$
  - Image signal : multi-burst signal or sprit color bar signal
  - Voice modulation : 1kHz 30%(15kHz · Dev)MONO
- With the multi-burst signal, observe the wave form in Fig.7 with an oscilloscope.

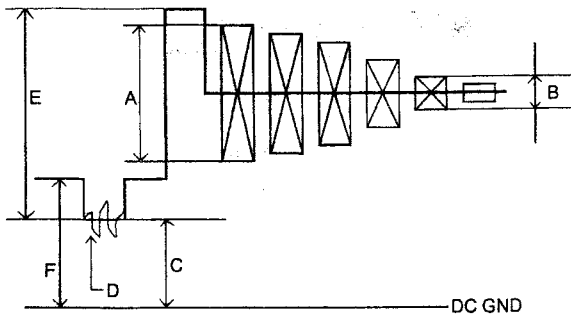


Fig.7

- Adjust the IF-AGC voltage from TP301 with DC variable power supply so that the E-voltage in Fig.7 becomes approximately 1.5V.
- Adjust the IFT302 so that the DC voltage of C or F Fig.7 becomes the minimum. When C- voltage drops and the wave form becomes unstable, adjust the IFT302 again.
- Confirm that the H-SYNC (D) has no noise.
- Confirm that the ratio of 4.43MHz and 500KHz is within the following range.  
 $0.5/4.43\text{MHz} \dots -10 \pm 4\text{dB}$   
 (Acceptable if A:B=5:1 more)

## 2. RF-AGC adjustment

- Connect the measuring equipment as shown in Fig.8.

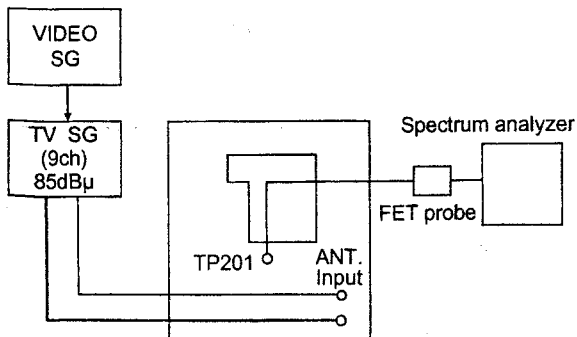


Fig.8

- Solder-bridge the TP201. And, input the following signal.
  - 9ch output level : 85dB  $\mu$
  - Visual signal : multi-burst signal
  - Voice modulation : 1kHz 30%(15kHz · Dev)MONO
- Adjust the VR301 so that the display level of the spectrum analyzer becomes 87dB  $\mu$ .  
 The set value of the spectrum analyzer is as follows. (Use the FET probe for measuring.)

RES · BW	300kHz
V · BW	300kHz
f0	= 38.9MHz
fspan	= 10MHz

## 3. Soft mute adjustment.

- Connect the measuring equipment as shown in Fig.9.

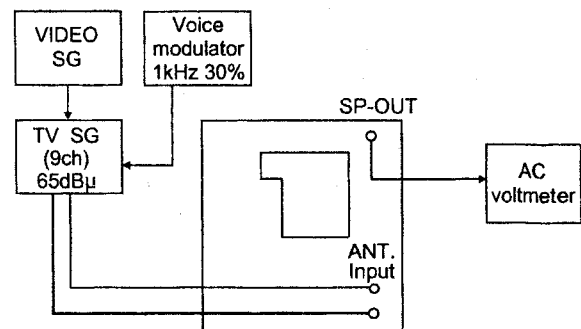


Fig.9

- Input the following signal.
  - 9ch output level : 65dB  $\mu$
  - Visual signal : multi-burst signal
  - Voice modulation : 1kHz 30%(15kHz · Dev)MONO
- The point on which SP output does not clip is defined 0dB.
- Adjust the VR302 so that the voice output level drops by 10dB when the RF input is set to 0dB.

## 4. FM-SD adjustment

- Connect the measuring equipment as shown in Fig.10.

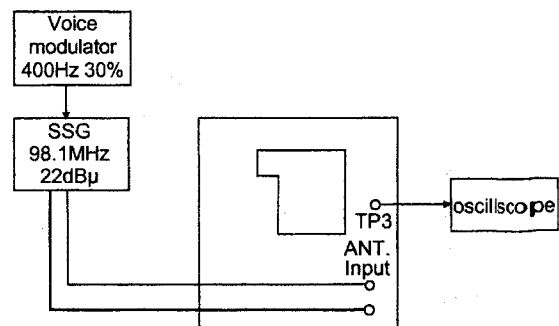


Fig.10

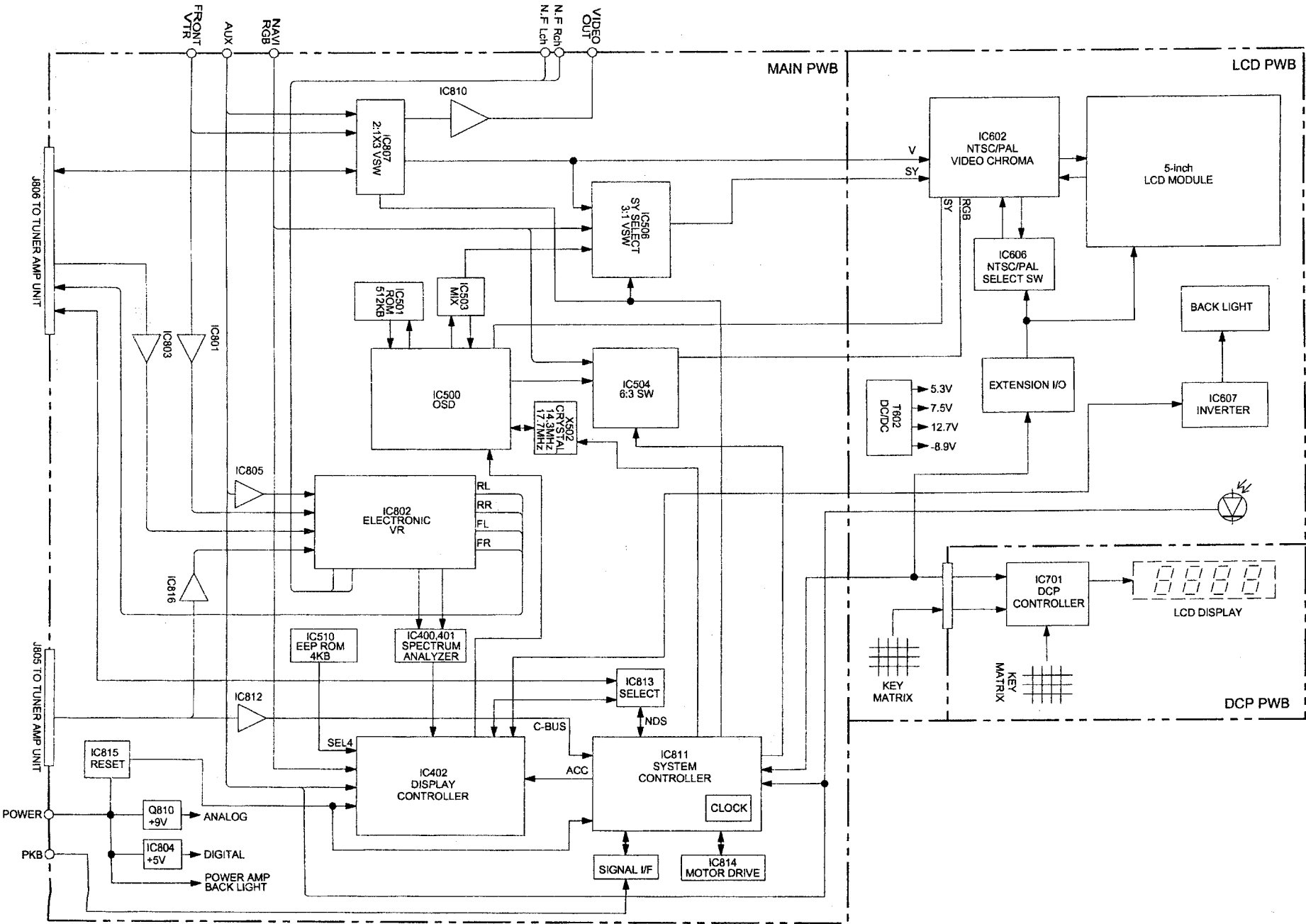
- Input the following signal.
  - Input signal : 98.1MHz/22dB  $\mu$  (75  $\Omega$ )
  - Voice modulation : 400Hz 30% MONO
- Adjust VR3 so that the voltage of TP3 is high (0V→5.0V).

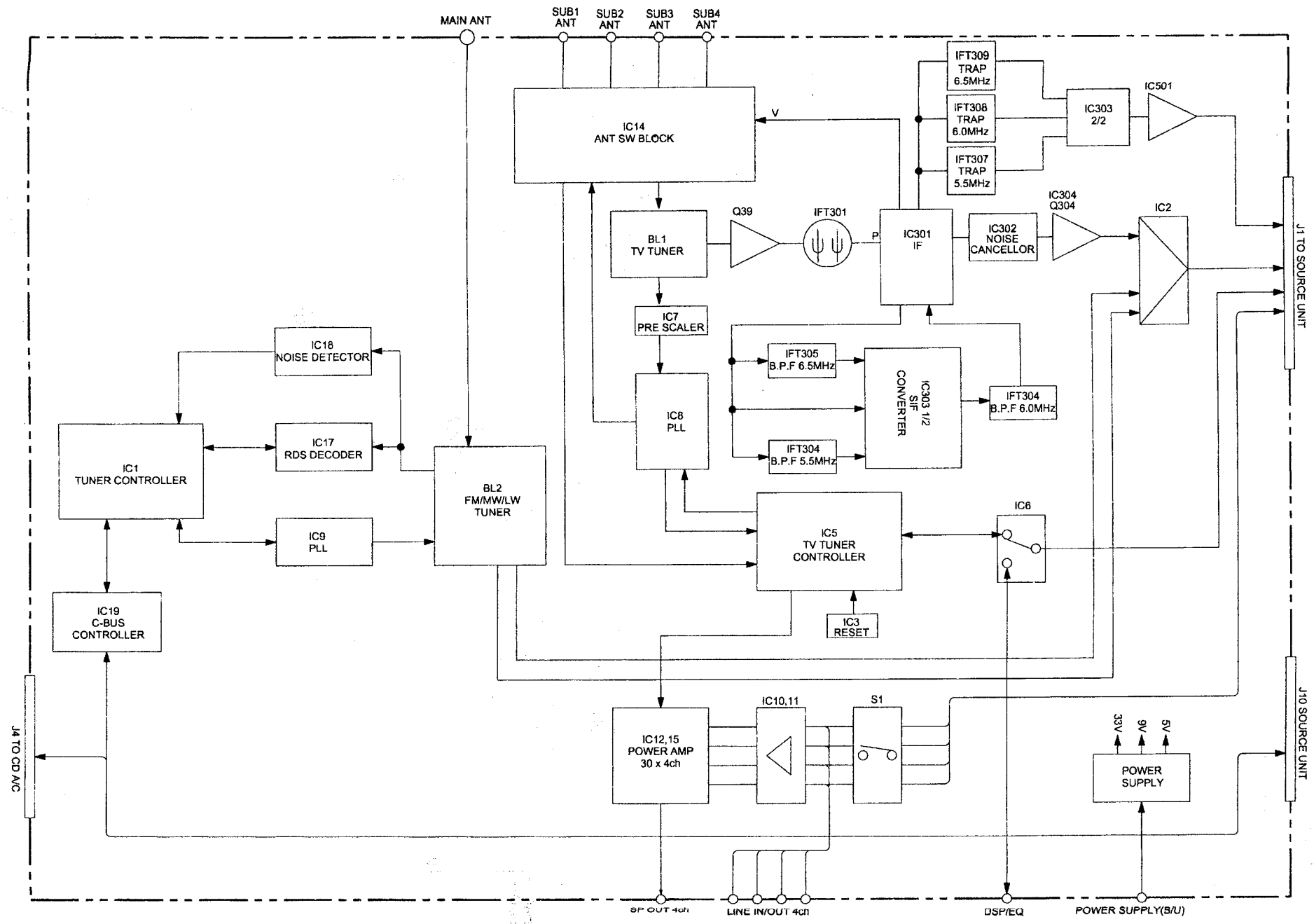
## 5. S-meter adjustment

- Input the following signal.
  - Input signal : 98.1MHz/30dB  $\mu$  (75  $\Omega$ )
  - Voice modulation : 400Hz 30% MONO
- Turn on the power switch and, Press the AF button and CH6 button at the same time (TEST MODE).
- Adjust the reading of LCD indicator to [24.00] (2.4V) by VR1.

# ■ BLOCK DIAGRAM

Source unit section







# EXPLANATION OF IC

■  $\mu$ PD78052GC-108-3B9      052-1307-01      Tuner Controller  
 ■  $\mu$ PD78052GC-133-3B9      052-1307-10

Outward Form  
 80 pins, plastic QFP

## Terminal Description

No.	Symbol	I/O	Function
1 5 3	NC	I	Connected to GND.
4	AVSS	-	Connected to GND.
5	TUN-REQ	O	NDS REQ to master microcomputer
6	NC	I	Connected to GND.
7	AV REF1	-	Connected to VDD.
8	RXD	I	Receiving terminal of start-stop synchronizing communication with Master microcomputer
9	TXD	O	Transmission terminal of start-stop synchronizing communication with Master microcomputer
10	NC	I	Connected to GND.
11	PLL-DATA	I	Data input from PLL IC
12	PLL-DATA	O	Data output to PLL IC
13	PLL-CLK	O	Clock output to PLL IC
14	PLL-CE	O	CE output to PLL IC
15 5 18	NC	I	Connected to GND.
19	TV-ON	O	TV power supply output terminal
20	AM-ON	O	AM power supply output terminal
21	FM-ON	O	FM power supply output terminal
22	NC	O	Not in use.
23	MONO/ST	O	Output terminal for TV MONO/ST selection
24 25	NC	O	Not in use.
26	TUN-MUTE	O	Tuner mute signal terminal
27	NC	I	Connected to GND.
28	ANT-SEL1	O	Output terminals for TV diversity ANT selection
29	ANT-SEL2	O	Output terminals for TV diversity ANT selection
30	AV ON	O	AMP STBY control terminal (PWR ON: ON)
31 32	NC	I	Connected to GND.
33	VSS	-	Connected to GND.
34	AM SD	I	AM SD input terminal (Presence of AM station is judged in SEEK mode.)
35	FM SD	I	FM SD input terminal (Presence of FM station is judged in SEEK mode.)
36	TV-M/SUB	O	TV MAIN/SUB select output terminal
37	SIF BAND1	O	Sound frequency select output terminals (Control of TV band for Asia specification)
38	SIF BAND2	O	Sound frequency select output terminals (Control of TV band for Asia specification)
39	SIF BAND3	O	Sound frequency select output terminals (Control of TV band for Asia specification)
40	NC	I	Connected to GND.

No.	Symbol	I/O	Function
41 5 44	NC	I	Connected to GND.
45	AV5V-ON	O	5V power supply control terminal (PWR ON: ON)
46	NC	I	Connected to GND.
47	PA-MUTE	O	Amplifier mute output terminal
48 5 59	NC	I	Connected to GND.
60	RESET	I	Reset signal input terminal
61	TV SYNC	I	Pulse input terminal for judging of TV station presence Synchronization for AV ON. (OFF: Sleep mode)
62	AV+B ON	I	Connected to GND.
63 5 65	NC	I	Terminals for selection of destination.
66	SIMUKE1	I	Power supply voltage terminal
67	SIMUKE2	I	Power supply voltage terminal
68	VDD	-	System clock terminals
69 70	X1 X2	-	4.9152 MHz
71	IC	-	Connected to VSS.
72	XT2	-	Not in use.
73	XT1	I	Connected to GND.
74	AVDD	-	Analog power supply terminal for AD converter
75	AVREFO	-	Standard voltage input terminal for AD converter
76 5 80	NC	I	Connected to GND.

■μPD178016GC-516-3B9 052-1316-00 TV Controller

Outward Form  
80 pins, plastic QFP

Terminal Description

No.	Symbol	I/O	Function
1	N.C.	I	Not in use
2			
3	RDS S-METER	I	RDS S-METER voltage detection
4	RDS NOISE	I	RDS noise detection
5	N.C.	I	Not in use
6	E/U	I	Low for Europe, Hi for USA
7	RDS DISCHGE	O	Hi for DISCHGE
8	N.C.	I	Not in use
9			
11			
12	C-BUS SI	I	C-BUS communication line
13	C-BUS SO	O	
14	C-BUS SCK	I	
15	RDS +B REM	O	Switches RDS power supply: Low except for AM
16	SD OPEN	O	Makes port Hi when FM SD Hi is input
17	FM LOCAL	O	Switches FM DX / LO: Low when local
18	SD UP	O	Low when following-up RDS
19	AM LOCAL	O	Switches AM DX/LO: Low when local
20	N.C.	O	Not in use
21	PORT GND	-	I/O port GND terminal
22	PORT VDD	-	I/O port power supply
23	RDS MUTE	O	Hi when RDS IF MUTE is output
24	N.C.	O	Not in use
25			
26			
27	IF REQ	O	Lo when RADIO IF signal requested
28	AM IFC	I	AM IF signal input terminal
29	FM IFC	I	FM IF signal input terminal
30	PLL VDD	-	PLL circuit power supply terminal
31	FM IN	I	FM OSC signal input terminal
32	AM IN	I	AM OSC signal input terminal
33	PLL GND	-	PLL circuit GND terminal
34	EO 0	O	AM error out signal output terminal
35	EO 1	O	FM error out signal output terminal
36	IC-TEST	--	Connect to GND
37	AM SD	I	AM SD detection: Hi for SD ON
38	FM SD	I	FM SD detection: Hi for SD ON
39	FM ST	I	FM ST detection: Low for ST
40	N.C.	I	Not in use
41			
42			
44			
45	RADIO MUTE	O	Outputs MUTE for RADIO micro computer
46	FM ON	O	Switches FM power supply
47	AM ON	O	Switches AM power supply
48	C-BUS SRQ	O	Outputs C-BUS SRQ signal
49	N.C.	I	Not in use
50			
51			
52			
53	PLL DI	I	PLL IC control line
54	PLL SCK	O	
55	PLL DO	O	
56	PLL CE	O	

No.	Symbol	I/O	Function
57	N.C.	I	Not in use
58			
65			
66	RDS DATA	I	Inputs data from decoder
67	RDS CLK	I	Inputs CLK signal from decoder
68	ACC CONT	I	Detects ACC CONT
69	N.C.	I	Not in use
70			
73			
74	REG CPU	-	CPU power supply terminal: Connected with condenser.
75	GND	-	Micro computer GND terminal
76	X 2	-	Connecting crystal terminal (4.5 MHz)
77	X 1	I	
78	REG OSC	-	Power supply terminal for oscillation circuits: Connected with condenser.
79	VDD	-	CPU power supply terminal
80	RESET	I	RESET signal input terminal

Outward Form  
80 pins, plastic QFP

Terminal Description

No.	Symbol	I/O	Function
1 5 3	NC	—	Connected to GND.
4	AVSS	—	Connected to GND.
5	C-BUS SRQ	I	Input terminal of C-BUS service request
6	NDS SELO	O	NDS communication select output terminal
7	AV REF!	—	Connected to VDD.
8	RXD	I	Receiving terminal of start-stop synchronizing communication with slave microcomputer
9	TXD	O	Transmission terminal of start-stop synchronizing communication with slave microcomputer
10	NDS SEL1	O	NDS communication select output terminal
11	DCP DATA	I	μPD16431 Serial data input terminal
12	DCP DATA	O	Serial data output terminal with μPD16431/TC74HC595
13	DCP CLK	O	Serial clock output terminal with μPD16431/TC74HC595
14 15	NC	—	Connected to GND.
16	C-BUS IN	I	C-BUS data input terminal
17	C-BUS OUT	O	C-BUS data output terminal
18	C-BUS CLK	O	C-BUS clock output terminal
19 5 22	NC	—	Connected to GND.
23	ILL	I	Lighting SW input terminal (L: ILL ON)
24	O/C SW	I	OPEN/CLOSE SW input terminal
25	DCP REQ	I	DCP request signal input terminal
26	NC	—	Connected to GND.
27 28	SEL2 SEL3	I I	AUX input terminals SEL2   H   TV   L   VTR   H   TV   L   AUX SEL3   H   TV   H   VTR   L   AUX   L   AUX (Upper: Sound Lower: Image)
29	EXIO-STB	O	TC74HC595 latch (rise) output terminal
30	DCP-CE	O	DCP IC chip enable output terminal
31	AV 5V ON	O	5V power supply control
32	MUTE	O	Audio mute signal (L: MUTE ON)
33	VSS	—	GND terminal
34	ACC CONT2	O	ACC control signal 2 (C-BUS) output terminal
35	NTSC/PAL	O	NTSC (RGB) /PAL control output terminal
36	VOL IC CLK	O	VOL IC (M62419FP) serial clock output terminal
37	VOL IC DAT	O	VOL IC (M62419FP) serial data output terminal
38	PANEL ON	O	ON/OFF of same timing with AV ON (Not turned on in screen storage status.)
39	RESET OUT	O	Reset control output terminal to TUNER microcomputer
40	VSEL1	O	VIDEO signal select 1 output terminal
41	VSEL2	O	VIDEO signal select 2 output terminal
42	VSEL3	O	VIDEO signal select 3 output terminal
43 44	NC	—	Connected to GND.
45	BUZ	O	Buzzer output terminal (4 kHz)
46 5 48	NC	—	Connected to GND.

No.	Symbol	I/O	Function
49	CLK	O	Clock output terminal
50	M-F	O	Motor control output terminal (Draw out)
51	M-R	O	Motor control output terminal (Storage)
52	NO-ACC	I	Destination input terminal of ACC presence H: Not presence L: Presence
53	OPEN	I	Input terminal of all screen extract detection
54	CLOSE	I	Input terminal of all screen storage detection
55	OVER LOAD	—	Connected to GND.
56	VID/RGB	O	VIDEO/RGB screen select output terminal
57	ACC+B ON	O	Power supply control output terminal of motor, back light, LED.
58	ACC CONT	O	ACC control signal (display microcomputer) output terminal
59	AV ON	O	Power supply control output terminal
60	RESET	I	Reset input terminal
61	IR	I	IR remote control input terminal
62	O/C SW	I	OPEN/CLOSE switch input.
63	DISP REQ	I	Request input (rise) terminal from display microcomputer
64	TUNER REQ	I	Request input (rise) terminal from TUNER microcomputer
65	PWR SW	I	PWR/FUNC SW input terminal
66	TILT	I	Tilt SW input terminal H: Horizontal L: Incline
67	DSP REQ	I	Request input (rise) terminal from DSP.
68	VDD	—	Power supply voltage terminal
69 70	X2 X1	—	Connection terminals for system clock oscillating crystal 4.091 MHz
71	IC	—	Connected to GND.
72 73	XT2 XT1	—	Connection terminal for clock crystal (32.768 kHz)
74	AVDD	—	Connected to VDD.
75	AVREF0	—	Connected to VDD.
76 5 80	NC	—	Connected to GND.

■μPD78058FGC-037-3B9 052-7021-01  
 ■μPD78058FGC-060-3B9 052-7021-10 Display controller

Outward Form  
 80 pins, plastic QFP

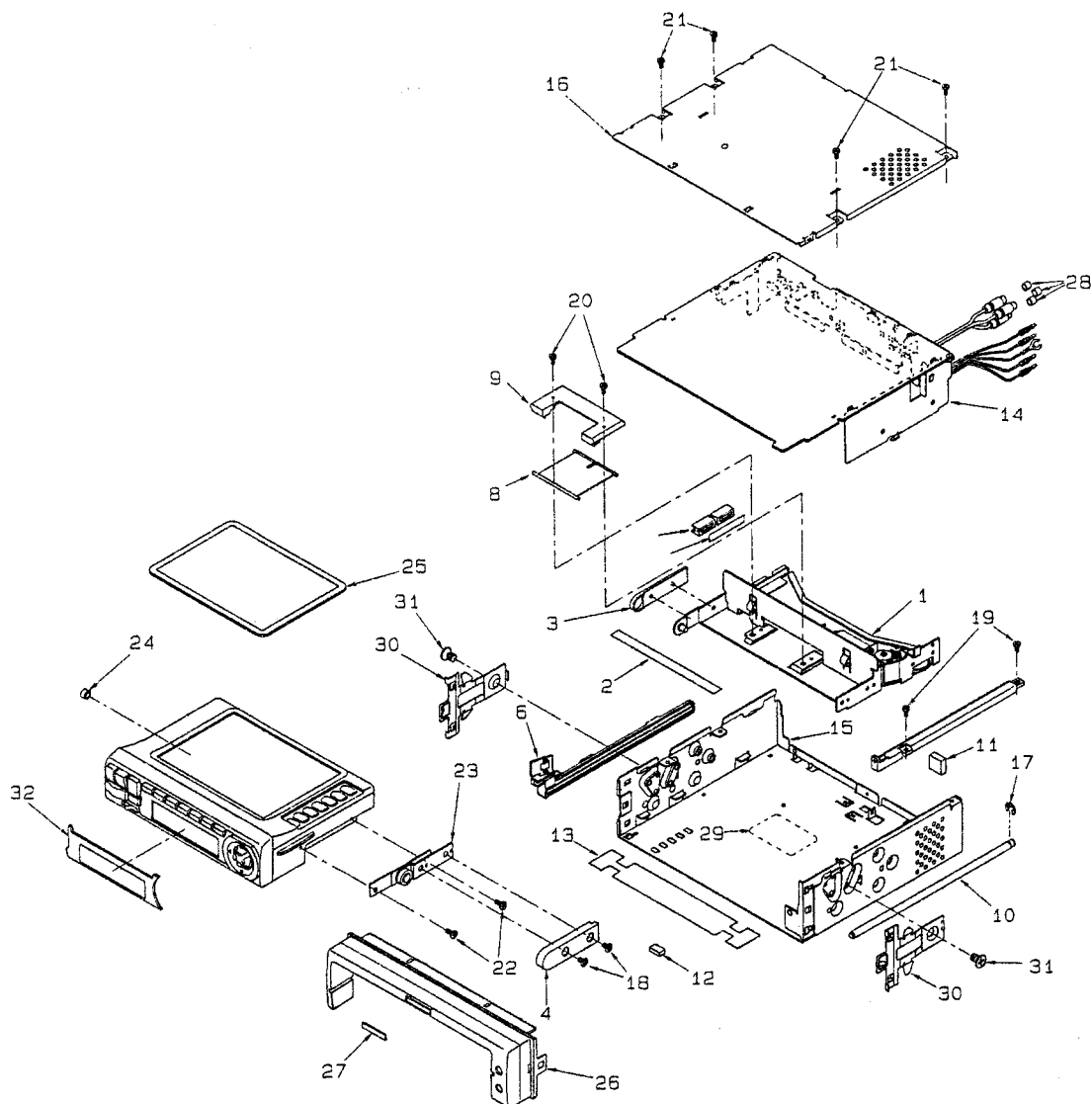
Terminal Description

No.	Symbol	I/O	Function
1	SP 3K	I	Spectrum analyzer input terminal (3 kHz)
2	SP 10K	I	Spectrum analyzer input terminal (10 kHz)
3	NC	-	Connected to GND.
4	AVSS	-	GND terminal
5	HUE	O	HUE control output terminal (D/A output)
6	COLOR	O	COLOR control output terminal (D/A output)
7	AVREF1	-	Connected to AVDD.
8	RXD	I	Data receiving terminal of start-stop synchronizing communication with head microcomputer
9	TXD	O	Data transmission terminal of start-stop synchronizing communication with head microcomputer
10	DISP REQ	O	Request output terminal to head microcomputer
11	OSD RES	O	Reset control output terminal to OSD IC
12	OSD DATA	O	Serial data output terminal to OSD IC
13	OSD CLK	O	Serial clock output terminal to OSD IC
14	OSD CS	O	CS control output terminal to OSD IC
15	E <sup>2</sup> P CS	O	E <sup>2</sup> PROM CS output terminal
16	E <sup>2</sup> P IN	I	E <sup>2</sup> PROM serial data input terminal
17	E <sup>2</sup> P OUT	O	E <sup>2</sup> PROM serial data output terminal
18	E <sup>2</sup> P CLK	O	E <sup>2</sup> PROM serial clock output terminal
19 ┌ 32 34 └ 43	NC	-	Connected to GND.
33	VSS	-	GND terminal
44	BRT	O	BRT control output terminal (PWM)
45 ┌ 49	NC	-	Connected to GND.
50	NAVI SYNC ON	O	NAVI SYNC select output terminal
51	NAVI ON	O	NAVI display (RGB) select output terminal
52	SEL4	I	NAVI RGB connection judgement input terminal (Synchronizing with SEL3.)
53	NC	-	Connected to GND.
54	PKB	I	Parking brake input terminal (H: Brake)
55	CCD ON	O	Control signal output terminal for CCD connection box
56	A-ANT	O	Auto antenna control output terminal (H: Up)
57 ┌ 59	NC	-	Connected to GND.
60	RESET	I	Reset input terminal
61	NC	-	Connected to GND.
62	ACC IN	I	ACC CONT input terminal from head microcomputer
63	SPEED	I	Speed pulse input terminal
64 ┌ 66	NC	-	Connected to GND.
67	LCD VSYNC	I	V SYNC input terminal (for ending judgement of external synchronizing VRAM fill)
68	VDD	-	Power supply voltage terminal
69 70	X2 X1		Connection terminal for system clock oscillating crystal 4.9152 MHz

No.	Symbol	I/O	Function
71	IC	-	Connected to GND.
72	XT2	-	Not in use.
73	XT1	-	Connected to GND.
74	AVDD	-	Connected to VDD.
75	AVREF0	-	Connected to VDD.
76	SP 60	I	Spectrum analyzer input terminal (60Hz)
77	SP 125	I	Spectrum analyzer input terminal (125Hz)
78	SP 250	I	Spectrum analyzer input terminal (250Hz)
79	SP 500	I	Spectrum analyzer input terminal (500Hz)
80	SP 1K	I	Spectrum analyzer input terminal (1 kHz)

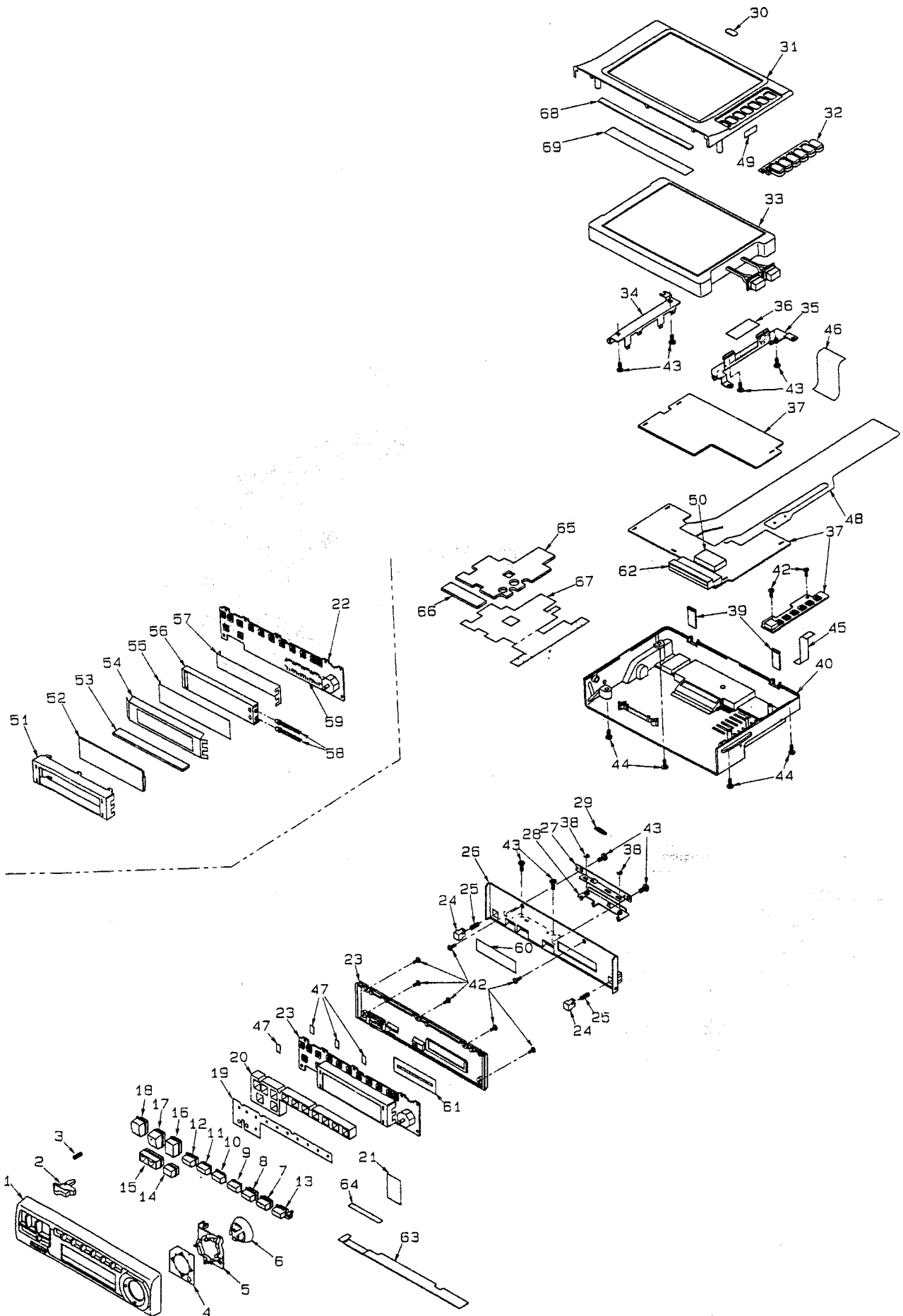
# EXPLODED VIEW · PARTS LIST

MAIN section



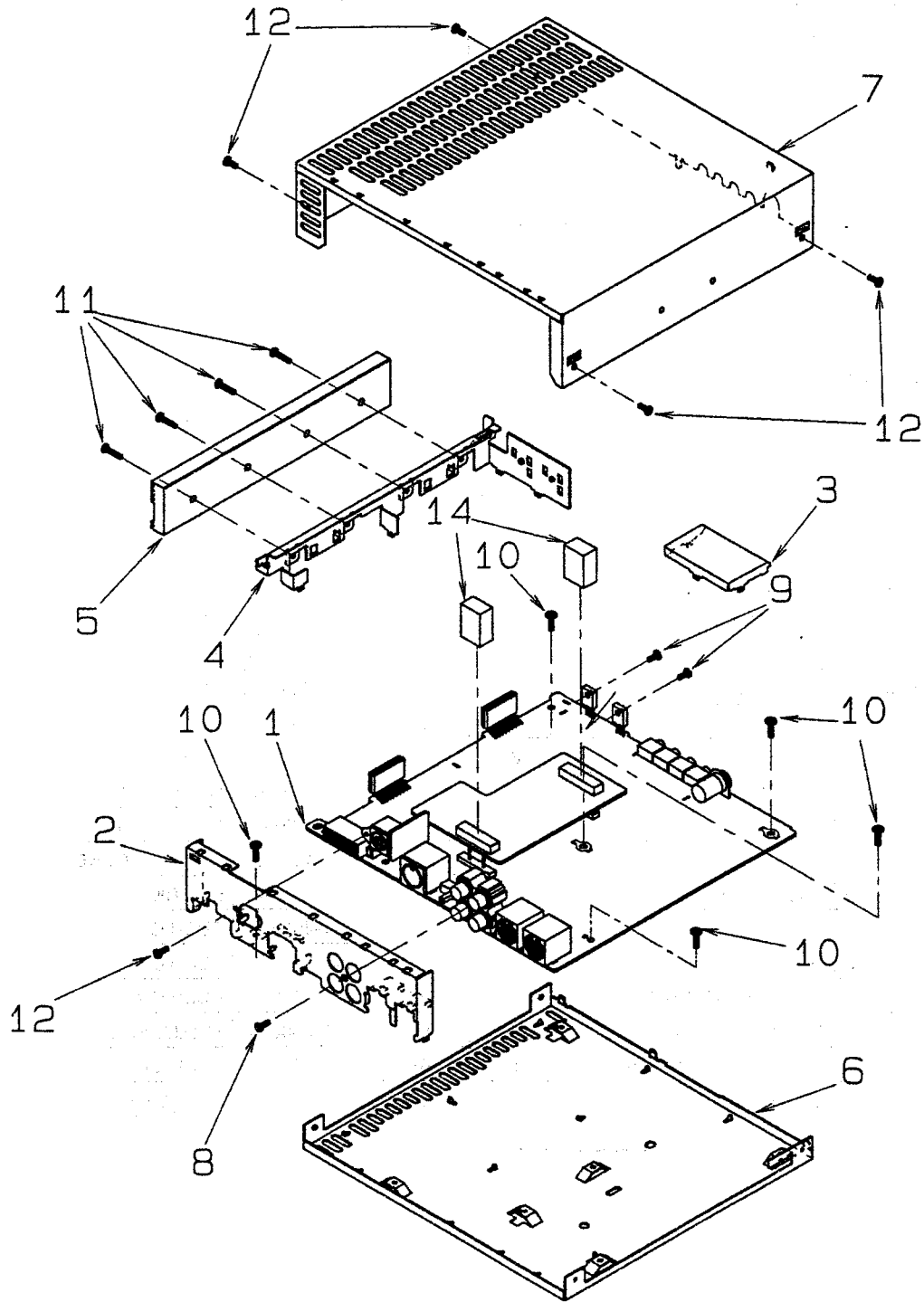
NO.	PART NO.	DESCRIPTION	Q'TY	NO.	PART NO.	DESCRIPTION	Q'TY
1	948-0412-00	HOLD PLATE ASSY	1	18	716-1598-00	SCREW(M2.6X5)	2
2	353-0450-00	SHADE C	1	19	714-2605-81	MACHINE SCREW(M2.6X5)	2
3	335-4927-00	SIDE COVER(R)	1	20	714-2605-89	MACHINE SCREW(M2.6X5)	2
4	335-4929-00	SIDE COVER(L)	1	21	716-1494-00	SCREW(M2.6X5)	4
5	335-4724-02	SLIDER	1	22	716-1730-01	P-TIGHT SCREW	2
6	335-4383-02	SLIDE HOLDER	1	23	947-0411-00	TRQU BUSH	1
7	335-3854-02	RACK	1	24	335-4938-00	SPACER	1
8	335-4609-00	FPC CVR	1	25	373-0848-00	LCD CVR	1
9	335-4926-00	FPC CVR	1	26	370-5602-03	ESCUTCHEON	1
10	612-0183-01	SHAFT	1	27	378-0134-00	BADGE	1
11	345-7536-00	RUBBER CUSHION	1	28	345-3799-00	RUBBER PART	3
12	345-7684-00	RUBBER CUSHION	1	29	286-8819-00	SETPLATE	1
13	353-0427-00	SHADE B	1	30	750-2796-02	SPRING	2
14	039-0752-03	MAIN PWB	1	31	714-5008-41	MACHINE SCREW(M5X8)	2
15	311-1657-06	LOWER CASE	1	32	373-0816-00	LCD CVR	1
16	310-1515-05	UPPER CASE	1	33	347^1949-00	DUBLE FACE	1
17	743-4000-10	E-RING	1				

LCD Panel section



NO.	PART NO.	DESCRIPTION	QTY	NO.	PART NO.	DESCRIPTION	QTY
1	370-5601-03	ESCUTCHEON(DCP)	1	36	347-5339-00	SHADE(LCD-H)	1
2	382-4201-01	BUTTON	1	37	039-0785-00	LCD PWB	1
3	750-3208-00	SPRING	1	38	743-1500-20	E-RING	2
4	347-5338-00	SHADE	1	39	335-4384-00	ROCK	2
5	335-5139-00	ILLUMI PART	1	40	377-0205-02	DIAL SUPPORT	1
6	382-7720-03	BUTTON(LOCK RELEASE)	1	41	738-2030-11	PRECISION SCREW	2
7	382-4203-00	BUTTON(1)	1	42	716-0872-11	PAD SCREW	9
8	382-4204-00	BUTTON(2)	1	43	716-0645-00	SCREW	8
9	382-4205-00	BUTTON(3)	1	44	716-1730-01	P TIGHT SCREW	4
10	382-4206-00	BUTTON(4)	1	45	816-2411-00	FLAT CABLE	1
11	382-4207-00	BUTTON(5)	1	46	816-2410-00	FLAT CABLE	1
12	382-4208-00	BUTTON(6)	1	47	347-1561-00	DOUBLE FACE	4
13	382-4209-00	BUTTON(DISP)	1	48	039-0740-00	FPC	1
14	382-4210-01	BUTTON(OPEN)	1	49	347-5355-00	PAPER PART	1
15	382-7721-00	BUTTON(PHY/AF)	1	50	331-1969-00	SHIELD CASE	1
16	382-4212-00	BUTTON(BAND)	1	51	331-1930-00	LCD CVR	1
17	382-4213-00	BUTTON(FUNC)	1	52	379-1092-41	INDICATOR(FRONT)	1
18	382-4214-01	BUTTON(TA)	1	53	345-7801-00	RUBBER CONNECTOR	1
19	347-5340-00	BUTTON HLDR	1	54	347-5336-00	FILM	1
20	345-7768-00	BUTTON HLDR	1	55	347-5337-00	CCS FILM	1
21	347-2061-00	PAPER PART	1	56	335-5138-00	ILLUMI PLATE	1
22	039-0986-00	DCP PWB	1	57	347-5335-00	REFLECTOR	1
23	335-5149-00	BACK PLATE	1	58	001-7027-00	DIODE	2
24	335-5147-00	EJECTOR	2	59	076-0531-00	PLUG	1
25	750-3218-00	EJ SPRING	2	60	347-5187-01	GUIDE LABEL	1
26	335-5196-00	DCP CVR	1	61	347-5358-00	SHADE(CON)	1
27	331-1931-00	HOOK HKDR	1	62	074-1136-00	OUTLET SOCKET	1
28	331-1932-00	HOOK PLATE	1	63	331-2043-00	ES BRKT	1
29	750-2506-00	SPRING	1	64	347-4063-00	CUSHION TAPE	1
30	335-5214-00	IR FILTER	1	65	345-7944-00	CUSHION	1
31	373-0815-03	DIAL CVR(MONITOR)	1	66	345-7953-00	CUSHION	1
32	382-4202-01	BUTTON(CONT.)	1	67	347-5486-00	SHIELD SHEET	1
33	379-1053-00	INDICATOR(MONITOR)	1	68	345-7945-00	CUSHION	1
34	331-1934-00	LCD HOLDER(L)	1	69	347-5487-00	DOUBLE FACE	1
35	331-1933-00	LCD HOLDER(R)	1				

Tuner amp section



NO.	PART NO.	DESCRIPTION	QTY	NO.	PART NO.	DESCRIPTION	QTY
1	039-0955-00	TUNER PWB	1	8	702-3008-81	TAP SCREW	1
2	331-2120-00	FRONT PLATE	1	9	714-3006-81	MACHINE SCREW(M3X5)	2
3	331-1920-00	SHIELD CASE	1	10	716-0878-00	IT SCREW(M2.6X5)	5
4	331-1918-00	IC HOLDER	1	11	714-2612-81	MACHINE SCREW(M2.6X12)	4
5	313-1668-00	HEAT SINK	1	12	714-2605-81	MACHINE SCREW(M2.6X5)	5
6	331-1705-00	LOWER CASE	1	13	345-4263-00	RUBBER PART	1
7	310-1625-00	UPPER CASE	1	14	345-7946-00	CUSION	2



# ELECTRICAL PARTS LIST

## LCD PWB

Note) Several different parts of the same reference number are alternative parts.  
One of those parts is used in the set.

REF No.	PART No.	DESCRIPTION	REF No.	PART No.	DESCRIPTION	REF No.	PART No.	DESCRIPTION
C 666	042-0522-07	16V3.3 μF	C 608	042-0452-01	10V220 μF	R 611	117-1531-10	1/10W 15kΩ
C 667	163-1073-31	16V100 μF	C 609	163-1073-10	6.3V100 μF	R 612	117-1031-10	1/10W 10kΩ
C 668	178-1522-78	1500pF	C 610	042-0528-00	35V15 μF	R 613	117-4721-10	1/10W 4.7kΩ
C 669	178-2245-79	0.22 μF	C 611	163-4763-30	16V47 μF	R 614	117-5611-10	1/10W 560Ω
C 670	178-2212-78	220pF	C 612	042-0528-00	35V15 μF	R 615	117-2221-10	1/10W 2.2kΩ
C 671	178-2222-78	2200pF	C 613	178-1055-79	1 μF	R 616	117-4731-10	1/10W 47kΩ
C 672	043-0499-51	0.1 μF	C 614	178-1032-78	0.01 μF	R 617	117-4731-10	1/10W 47kΩ
C 673	043-0500-51	22pF	C 615	178-1032-78	0.01 μF	R 618	117-4731-10	1/10W 47kΩ
C 674	043-0500-51	22pF	C 616	178-1032-78	0.01 μF	R 619	117-4731-10	1/10W 47kΩ
C 675	042-0397-00	16V1 μF TAN	C 617	178-1055-79	1 μF	R 620	117-4731-10	1/10W 47kΩ
C 676	178-1055-79	1 μF	C 618	178-1032-78	0.01 μF	R 621	117-4731-10	1/10W 47kΩ
C 677	178-1022-78	1000pF	C 619	178-1032-78	0.01 μF	R 622	117-5631-10	1/10W 56kΩ
C 678	176-1011-00	100pF CH	C 620	178-3322-78	3300pF	R 623	117-2231-10	1/10W 22kΩ
C 679	176-1011-00	100pF CH	C 621	178-1032-78	0.01 μF	R 624	117-2731-10	1/10W 27kΩ
D 601	001-0516-00	MA111	C 622	178-1032-78	0.01 μF	R 625	117-2731-10	1/10W 27kΩ
D 602	001-0608-00	D1FS4	C 623	163-1053-60	50V1 μF	R 626	117-2231-10	1/10W 22kΩ
D 603	001-0608-00	D1FS4	C 624	178-4745-79	0.47 μF	R 627	117-2231-10	1/10W 22kΩ
D 604	001-0516-00	MA111	C 625	178-4745-79	0.47 μF	R 628	117-2231-10	1/10W 22kΩ
D 605	001-0516-00	MA111	C 626	178-4745-79	0.47 μF	R 629	117-3931-10	1/10W 39kΩ
D 606	001-0608-00	D1FS4	C 627	042-0452-01	10V220 μF	R 630	117-2231-10	1/10W 22kΩ
D 607	001-0528-48	MA8091-H	C 628	178-1055-79	1 μF	R 631	117-1011-10	1/10W 100Ω
D 608	001-0516-00	MA111	C 629	163-3353-61	50V3.3 μF	R 632	117-1011-10	1/10W 100Ω
D 609	001-0506-00	DAN202K	C 630	178-1032-78	0.01 μF	R 633	117-1011-10	1/10W 100Ω
D 610	001-0518-04	AA1101W	C 631	176-5601-00	56pF CH	R 634	117-1021-10	1/10W 1kΩ
F 601	051-1570-10	ICP-F15	C 632	178-2222-78	2200pF	R 635	117-1011-10	1/10W 100Ω
IC 601	051-1619-00	FA7610N	C 633	178-2235-79	0.022 μF	R 636	117-2231-10	1/10W 22kΩ
IC 602	051-5307-00	IR3Y24	C 634	163-1063-30	16V10 μF	R 637	117-4711-10	1/10W 470Ω
IC 603	051-1292-00	NJM4565M-D	C 635	176-2201-00	22pF CH	R 638	117-4711-10	1/10W 470Ω
IC 604	051-1250-00	TC4S66F	C 636	176-3301-00	33pF CH	R 639	117-4711-10	1/10W 470Ω
IC 605	051-1250-00	TC4S66F	C 637	178-1045-79	0.1 μF	R 640	117-4711-10	1/10W 470Ω
IC 606	051-7214-38	MC74HC595AF	C 639	178-6812-78	680pF	R 641	032-0098-03	1/10W 18kΩ
IC 607	051-3601-91	TL494CNS	C 640	176-5601-00	56pF CH	R 642	117-2221-10	1/10W 2.2kΩ
IR 601	060-4007-00	GP1U101X	C 641	178-1032-78	0.01 μF	R 643	117-3341-10	1/10W 330kΩ
J 601	074-1048-70		C 642	178-4732-78	0.047 μF	R 645	117-3341-10	1/10W 330kΩ
J 602	074-1049-63		C 643	178-1032-78	0.01 μF	R 646	117-2731-10	1/10W 27kΩ
J 603	074-1048-65		C 644	176-8201-00	82pF CH	R 647	117-2431-10	1/10W 24kΩ
J 607	076-0478-53		C 645	178-1032-78	0.01 μF	R 648	117-5621-10	1/10W 5.6kΩ
L 601	010-2271-00	100 μH	C 646	178-1055-79	1 μF	R 649	117-1021-10	1/10W 1kΩ
L 602	010-2174-24	100 μH	C 647	178-1045-79	0.1 μF	R 650	117-1021-10	1/10W 1kΩ
L 603	010-2271-00	100 μH	C 648	176-8097-00	8pF CH	R 651	117-5621-10	1/10W 5.6kΩ
L 604	010-2174-24	100 μH	C 649	176-8097-00	8pF CH	R 652	117-5621-10	1/10W 5.6kΩ
L 605	010-2199-30	33 μH J	C 650	178-1032-78	0.01 μF	R 653	117-6821-10	1/10W 6.8kΩ
L 607	010-2199-33	56 μH J	C 651	163-4743-60	50V0.47 μF	R 654	117-4721-10	1/10W 4.7kΩ
L 608	010-2199-33	56 μH J	C 652	178-1055-79	1 μF	R 655	117-3021-10	1/10W 3kΩ
L 609	010-4013-00	806PN-504	C 653	178-1055-79	1 μF	R 656	117-2021-10	1/10W 2kΩ
L 610	010-2165-00	100 μH	C 654	178-1055-79	1 μF	R 657	117-3351-15	1/10W 3.3MΩ
L 611	010-2165-00	100 μH	C 655	163-4763-30	16V47 μF	R 658	117-6821-10	1/10W 6.8kΩ
P 604	076-0529-02		C 656	178-1045-79	0.1 μF	R 659	117-1051-10	1/10W 1MΩ
P 605	076-0529-02		C 657	178-1045-79	0.1 μF	R 660	117-5621-10	1/10W 5.6kΩ
Q 601	102-2873-00	2SC2873	C 658	163-1063-30	16V10 μF	R 661	117-1521-10	1/10W 1.5kΩ
Q 602	102-2712-00	2SC2712	C 659	163-1063-30	16V10 μF	R 662	117-3311-10	1/10W 330Ω
Q 603	125-2004-02	RN1402	C 660	163-1063-50	35V10 μF	R 663	117-2221-10	1/10W 2.2kΩ
Q 604	125-2004-02	RN1402	C 662	178-1045-79	0.1 μF	R 664	117-6811-10	1/10W 680Ω
Q 605	125-2004-02	RN1402	C 663	178-1045-79	0.1 μF	R 665	117-8221-10	1/10W 8.2kΩ
Q 606	125-2004-02	RN1402	C 664	042-0522-08	16V10 μF	R 666	117-1521-10	1/10W 1.5kΩ
Q 607	102-3326-00	2SC3326	C 665	178-1055-79	1 μF	R 667	117-1011-10	1/10W 100Ω
Q 608	100-1738-00	2SA1738	Q 617	125-2036-00	FB1J3P	R 668	117-1011-10	1/10W 100Ω
Q 609	125-2004-02	RN1402	Q 618	125-2036-00	FB1J3P	R 669	117-5621-10	1/10W 5.6kΩ
Q 610	125-2004-02	RN1402	Q 619	125-2004-03	RN1403	R 670	117-1011-10	1/10W 100Ω
Q 611	125-2004-02	RN1402	Q 620	101-1204-61	2SB1204R.S.T	R 671	117-1031-10	1/10W 10kΩ
Q 612	100-1738-00	2SA1738	Q 621	102-2873-00	2SC2873	R 672	117-4731-10	1/10W 47kΩ
Q 613	125-0002-03	RN2403	Q 622	102-2873-00	2SC2873	R 673	117-2231-10	1/10W 22kΩ
Q 614	100-1213-00	2SA1213	R 601	117-6841-10	1/10W 680kΩ	R 674	117-1031-10	1/10W 10kΩ
Q 615	125-2004-02	RN1402	R 602	117-1841-10	1/10W 180kΩ	R 675	118-1021-10	1/2W 1kΩ
Q 616	125-2004-02	RN1402	R 603	117-3931-10	1/10W 39kΩ	R 676	118-1021-10	1/2W 1kΩ
C 601	163-3363-40	25V33 μF	R 604	117-1001-10	1/10W 10Ω	R 677	117-1021-10	1/10W 1kΩ
C 602	163-4753-50	35V4.7 μF	R 605	117-2221-10	1/10W 2.2kΩ	R 678	117-2231-10	1/10W 22kΩ
C 603	176-1021-00	1000pF CH	R 606	117-2231-10	1/10W 22kΩ	R 679	117-4711-10	1/10W 470Ω
C 604	163-1063-50	35V10 μF	R 607	117-6841-10	1/10W 680kΩ	R 680	117-2221-10	1/10W 2.2kΩ
C 605	176-2221-00	2200pF CH	R 608	117-3311-10	1/10W 330Ω	R 681	117-3321-10	1/10W 3.3kΩ
C 606	042-0528-00	35V15 μF	R 609	117-3331-10	1/10W 33kΩ	R 682	117-5621-10	1/10W 5.6kΩ
C 607	163-4763-30	16V47 μF	R 610	117-1531-10	1/10W 15kΩ	R 683	117-1231-10	1/10W 12kΩ

REF No.	PART No.	DESCRIPTION	REF No.	PART No.	DESCRIPTION	REF No.	PART No.	DESCRIPTION
R 684	117-2231-10	1/10W 22kΩ	R 695	117-2711-10	1/10W 270Ω	VR 601	012-4738-06	10kΩ
R 685	117-3921-10	1/10W 3.9kΩ	R 696	117-2711-10	1/10W 270Ω	VR 602	012-5123-02	1kΩ
R 686	117-2211-10	1/10W 220Ω	R 697	117-4701-10	1/10W 47Ω	VR 603	012-5123-08	33kΩ
R 687	118-6811-10	1/2W 680Ω	S 602	013-6501-01		VR 604	012-5123-08	33kΩ
R 688	117-4791-10	1/10W 4.7Ω	S 603	013-6501-01		VR 605	012-5123-08	33kΩ
R 689	118-1021-10	1/2W 1kΩ	S 604	013-6501-01		VR 606	012-5123-08	33kΩ
R 690	118-1021-10	1/2W 1kΩ	S 605	013-6501-01		VR 607	012-5123-08	33kΩ
R 691	118-4711-10	1/2W 470Ω	S 606	013-6501-01		VR 608	012-5123-08	33kΩ
R 692	117-2221-10	1/10W 2.2kΩ	S 607	013-6501-01		VR 609	012-5123-08	33kΩ
R 693	117-2711-10	1/10W 270Ω	T 601	007-1139-90		X 601	061-1078-00	3.5795MHz
R 694	117-2711-10	1/10W 270Ω	T 602	007-1140-00		X 602	061-3036-00	4.433619MHz

## Main PWB

REF No.	PART No.	DESCRIPTION	REF No.	PART No.	DESCRIPTION	REF No.	PART No.	DESCRIPTION
C 440	176-1801-00	18pF CH	C 818	183-1063-32	16V10 μF	C 879	178-1032-78	0.01 μF
C 441	176-1801-00	18pF CH	C 819	183-1063-31	16V10 μF	C 880	163-1053-60	50V1 μF
C 442	042-0472-00	10V47 μF	C 820	183-1063-32	16V10 μF	C 881	163-1073-31	16V100 μF
C 443	178-1042-78	0.1 μF	C 821	183-1063-32	16V10 μF	C 882	163-1073-31	16V100 μF
C 444	178-1042-78	0.1 μF	C 822	178-1042-78	0.1 μF	C 883	176-2201-00	22pF CH
C 445	163-1073-31	16V100 μF	C 823	178-1042-78	0.1 μF	C 884	176-2201-00	22pF CH
C 446	178-1042-78	0.1 μF	C 824	183-1063-32	16V10 μF	C 885	176-3301-00	33pF CH
C 447	163-1073-31	16V100 μF	C 825	183-1063-32	16V10 μF	C 886	176-4096-00	4pF CH
C 448	178-1042-78	0.1 μF	C 826	183-2263-32	16V22 μF	C 887	163-1053-60	50V1 μF
C 500	178-1042-78	0.1 μF	C 827	183-2263-32	16V22 μF	C 888	178-1022-78	1000pF
C 501	178-1042-78	0.1 μF	C 828	183-4763-12	6.3V47 μF	C 889	178-1022-78	1000pF
C 502	178-1042-78	0.1 μF	C 829	183-4763-12	6.3V47 μF	C 890	178-1022-78	1000pF
C 504	178-1042-78	0.1 μF	C 830	176-2701-00	27pF CH	C 891	163-1063-30	16V10 μF
C 505	178-1042-78	0.1 μF	C 831	176-2701-00	27pF CH	C 892	178-1022-78	1000pF
C 506	178-1042-78	0.1 μF	C 832	178-6832-78	0.068 μF	C 893	163-4753-50	35V4.7 μF
C 507	178-1042-78	0.1 μF	C 833	178-6832-78	0.068 μF	C 894	182-1073-32	16V100 μF
C 508	042-0472-00	10V47 μF	C 834	178-6822-78	6800pF	C 895	178-1022-78	1000pF
C 509	178-1042-78	0.1 μF	C 835	178-6822-78	6800pF	C 896	178-1032-78	0.01 μF
C 510	178-1042-78	0.1 μF	C 836	178-1042-78	0.1 μF	C 897	178-1022-78	1000pF
C 511	178-1042-78	0.1 μF	C 837	183-1063-32	16V10 μF	C 898	163-2253-60	50V2.2 μF
C								

REF No.	PART No.	DESCRIPTION	REF No.	PART No.	DESCRIPTION	REF No.	PART No.	DESCRIPTION
D 809	001-0541-00	MA157	Q 801	102-2712-00	2SC2712	Q 840	103-1306-00	2SD1306
D 810	001-0516-00	MA111	Q 801	103-0601-00	2SD601A	R 440	117-1511-10	1/10W 150Ω
D 810	001-0541-00	MA157	Q 802	100-1037-00	2SA1037	R 441	117-1021-10	1/10W 1kΩ
D 811	001-0528-27	MA8047H	Q 802	100-1162-00	2SA1162	R 442	117-1021-10	1/10W 1kΩ
D 812	001-0516-00	MA111	Q 803	101-1143-00	2SB1143	R 443	117-4711-10	1/10W 470Ω
D 812	001-0626-00	1A2	Q 806	100-1431-00	2SA1431	R 444	117-4711-10	1/10W 470Ω
IC 402	052-7021-10	μ PD78P058FGC-060-3B9	Q 807	125-2004-07	RN1407	R 445	117-4711-10	1/10W 470Ω
IC 500	051-1965-00	MB90076BPF-G-BND	Q 807	125-2020-07	DTC114YK	R 446	117-4711-10	1/10W 470Ω
IC 501	052-6019-10	NSM534001C-72GS-KRI	Q 808	100-1431-00	2SA1431	R 447	117-1031-10	1/10W 10kΩ
IC 502	051-0921-05	TC74HC32AF	Q 809	125-2004-03	RN1403	R 448	117-1031-10	1/10W 10kΩ
IC 502	051-7219-08	SN74HC32NSLE	Q 809	125-2005-02	UN2212	R 449	117-4731-10	1/10W 47kΩ
IC 503	051-1738-05	TC7S08F	Q 810	102-3668-00	2SC3668	R 450	117-4731-10	1/10W 47kΩ
IC 503	051-1738-35	SC7S08F	Q 811	100-1431-00	2SA1431	R 451	117-1021-10	1/10W 1kΩ
IC 504	051-1478-05	TC74HC4053AF	Q 812	125-2004-03	RN1403	R 452	117-1021-10	1/10W 1kΩ
IC 505	051-0682-05	TC74HC74AF	Q 812	125-2005-02	UN2212	R 453	117-4721-10	1/10W 4.7kΩ
IC 506	051-5306-90	MM1117XF	Q 813	100-1213-00	2SA1213	R 454	117-1031-10	1/10W 10kΩ
IC 507	051-1855-05	TC7W14F	Q 813	100-1797-00	2SA1797	R 455	117-4721-10	1/10W 4.7kΩ
IC 508	051-1250-00	TC4S66F	Q 813	101-1123-00	2SB1123	R 456	117-1031-10	1/10W 10kΩ
IC 508	051-1250-30	SC14S66F	Q 814	125-2004-03	RN1403	R 460	117-4721-10	1/10W 4.7kΩ
IC 509	051-1250-30	SC14S66F	Q 814	125-2005-02	UN2212	R 461	117-4721-10	1/10W 4.7kΩ
IC 510	051-9405-08	X25160SI-L	Q 818	102-2412-00	2SC2412	R 462	117-4721-10	1/10W 4.7kΩ
IC 510	051-9405-38	NM25C160EM8X	Q 818	102-2712-00	2SC2712	R 463	117-4721-10	1/10W 4.7kΩ
IC 801	051-1292-00	NJM4565M-D	Q 818	103-0601-00	2SD601A	R 464	117-4741-10	1/10W 470kΩ
IC 802	051-5008-00	M62419FP	Q 819	102-2412-00	2SC2412	R 465	117-4741-10	1/10W 470kΩ
IC 803	051-1292-00	NJM4565M-D	Q 819	102-2712-00	2SC2712	R 466	117-4731-10	1/10W 47kΩ
IC 804	051-0792-00	TA78DS05BP	Q 819	103-0601-00	2SD601A	R 500	117-4721-10	1/10W 4.7kΩ
IC 805	051-1292-00	NJM4565M-D	Q 820	125-0001-93	UN2113	R 501	117-1021-10	1/10W 1kΩ
IC 806	051-1292-00	NJM4565M-D	Q 820	125-0002-04	RN2404	R 502	117-4711-10	1/10W 470Ω
IC 807	051-1917-00	BA7603F	Q 820	125-0014-94	DTA144EK	R 503	117-1511-10	1/10W 150Ω
IC 808	051-1743-00	GP1S51	Q 821	102-2412-00	2SC2412	R 504	117-1511-10	1/10W 150Ω
IC 809	051-1743-00	GP1S51	Q 821	102-2712-00	2SC2712	R 505	117-1511-10	1/10W 150Ω
IC 810	051-1621-00	MM1031XM	Q 821	103-0601-00	2SD601A	R 506	117-5611-10	1/10W 560Ω
IC 811	052-6021-10	μ PD78P058FGC-059-3B9	Q 822	100-1037-00	2SA1037	R 507	117-5611-10	1/10W 560Ω
IC 812	051-0160-06	SN74LS07NS-L	Q 822	100-1162-00	2SA1162	R 508	117-5611-10	1/10W 560Ω
IC 812	051-7400-06	HD74LS07FP	Q 822	100-1162-00	2SA1162	R 509	117-4711-10	1/10W 470Ω
IC 813	051-0410-05	TC4052BF	Q 823	102-2412-00	2SC2412	R 510	117-3921-10	1/10W 3.9kΩ
IC 813	051-0410-35	MC14052BF	Q 823	102-2712-00	2SC2712	R 511	117-5611-10	1/10W 560Ω
IC 814	051-1014-10	TA7291S	Q 823	103-0601-00	2SD601A	R 512	117-5611-10	1/10W 560Ω
IC 815	051-0869-05	MB3771PF(-G)	Q 824	102-2412-00	2SC2412	R 513	117-5611-10	1/10W 560Ω
IC 815	051-0869-55	NJM2103M	Q 824	102-2712-00	2SC2712	R 514	117-5611-10	1/10W 560Ω
IC 816	051-1292-00	NJM4565M-D	Q 824	103-0601-00	2SD601A	R 520	117-4711-10	1/10W 470Ω
J 400	074-1049-30		Q 825	125-2004-03	RN1403	R 521	117-4711-10	1/10W 470Ω
J 401	074-0881-06		Q 825	125-2005-02	UN2212	R 522	117-4711-10	1/10W 470Ω
J 402	076-0353-06		Q 826	100-1037-00	2SA1037	R 523	117-4711-10	1/10W 470Ω
J 403	074-0892-08		Q 826	100-1162-00	2SA1162	R 524	117-4711-10	1/10W 470Ω
J 801	075-0339-00		Q 827	102-2412-00	2SC2412	R 525	117-4711-10	1/10W 470Ω
J 802	075-0339-00		Q 827	102-2712-00	2SC2712	R 526	117-4711-10	1/10W 470Ω
J 804	074-1030-00		Q 827	103-0601-00	2SD601A	R 527	117-4711-10	1/10W 470Ω
J 805	074-1126-10		Q 828	102-2412-00	2SC2412	R 528	117-1011-10	1/10W 100Ω
J 806	074-1134-00		Q 828	102-2712-00	2SC2712	R 529	117-1031-10	1/10W 10kΩ
L 400	010-2279-00	4.7 μH	Q 828	103-0601-00	2SD601A	R 530	117-1021-10	1/10W 1kΩ
L 500	010-2279-00	4.7 μH	Q 829	102-3326-00	2SC3326	R 531	117-4731-10	1/10W 47kΩ
L 501	010-2279-00	4.7 μH	Q 829	103-1306-00	2SD1306	R 532	117-4731-10	1/10W 47kΩ
L 502	010-2329-00	5.6 μH	Q 830	102-3326-00	2SC3326	R 533	117-4731-10	1/10W 47kΩ
L 801	010-2330-36	220 μH	Q 830	103-1306-00	2SD1306	R 534	117-4731-10	1/10W 47kΩ
L 802	010-2279-00	4.7 μH	Q 831	102-3422-00	2SC3422	R 535	117-1031-10	1/10W 10kΩ
P 801	076-0324-04		Q 831	103-1683-00	2SD1683	R 536	117-1011-10	1/10W 100Ω
Q 400	100-1037-00	2SA1037	Q 832	125-2004-03	RN1403	R 537	117-4711-10	1/10W 470Ω
Q 400	100-1162-00	2SA1162	Q 832	125-2005-02	UN2212	R 538	117-4711-10	1/10W 470Ω
Q 401	102-2412-00	2SC2412	Q 833	102-2458-00	2SC2458	R 550	111-7501-91	1/4WS 75Ω
Q 401	102-2712-00	2SC2712	Q 833	102-2785-00	2SC2785	R 551	117-5631-10	1/10W 56kΩ
Q 401	103-0601-00	2SD601A	Q 834	102-2412-00	2SC2412	R 552	117-1531-10	1/10W 15kΩ
Q 402	102-2412-00	2SC2412	Q 834	102-2712-00	2SC2712	R 553	111-7501-91	1/4WS 75Ω
Q 402	102-2712-00	2SC2712	Q 834	103-0601-00	2SD601A	R 554	117-5631-10	1/10W 56kΩ
Q 402	103-0601-00	2SD601A	Q 835	125-2004-03	RN1403	R 555	117-1531-10	1/10W 15kΩ
Q 404	125-2004-03	RN1403	Q 835	125-2005-02	UN2212	R 556	111-7501-91	1/4WS 75Ω
Q 404	125-2005-02	UN2212	Q 836	102-3326-00	2SC3326	R 557	117-5631-10	1/10W 56kΩ
Q 405	125-2004-02	RN1402	Q 836	103-1306-00	2SD1306	R 558	117-1531-10	1/10W 15kΩ
Q 405	125-2005-01	UN2211	Q 837	102-3326-00	2SC3326	R 559	111-7501-91	1/4WS 75Ω
Q 801	102-2412-00	2SC2412	Q 837	103-1306-00	2SD1306	R 560	117-4711-10	1/10W 470Ω
			Q 838	102-2412-00	2SC2412	R 561	117-4711-10	1/10W 470Ω
			Q 838	102-2712-00	2SC2712	R 562	117-5611-10	1/10W 560Ω
			Q 838	103-0601-00	2SD601A	R 801	111-1021-91	1/4WS 1kΩ
			Q 839	102-3326-00	2SC3326	R 802	117-5631-10	1/10W 56kΩ
			Q 839	103-1306-00	2SD1306	R 803	117-3321-10	1/10W 3.3kΩ
			Q 840	102-3326-00	2SC3326	R 804	117-5631-10	1/10W 56kΩ

REF No.	PART No.	DESCRIPTION	REF No.	PART No.	DESCRIPTION	REF No.	PART No.	DESCRIPTION	REF No.	PART No.	DESCRIPTION	REF No.	PART No.	DESCRIPTION
R 805	117-5631-10	1/10W 56kΩ	R 872	117-1031-10	1/10W 10kΩ	R 941	117-1021-10	1/10W 1kΩ						
R 806	117-5631-10	1/10W 56kΩ	R 877	117-2231-10	1/10W 22kΩ	R 942	117-3311-10	1/10W 330Ω						
R 807	117-3321-10	1/10W 3.3kΩ	R 878	117-5631-10	1/10W 56kΩ	R 943	117-3311-10	1/10W 330Ω						
R 808	117-4721-10	1/10W 4.7kΩ	R 879	117-3311-10	1/10W 330Ω	R 944	117-3321-10	1/10W 3.3kΩ						
R 809	117-5631-10	1/10W 56kΩ	R 880	117-2231-10	1/10W 22kΩ	R 945	117-4721-10	1/10W 4.7kΩ						
R 810	117-6831-10	1/10W 68kΩ	R 881	117-5631-10	1/10W 56kΩ	R 946	117-1531-10	1/10W 15kΩ						
R 811	117-6831-10	1/10W 68kΩ	R 882	117-1021-10	1/10W 1kΩ	R 947	117-1021-10	1/10W 1kΩ						
R 812	117-1021-10	1/10W 1kΩ	R 883	117-1021-10	1/10W 1kΩ	R 948	117-2711-10	1/10W 270Ω						
R 813	111-2231-91	1/4WS 22kΩ	R 884	117-5631-10	1/10W 56kΩ	R 949	117-2211-10	1/10W 220Ω						
R 814	117-5631-10	1/10W 56kΩ	R 885	117-5631-10	1/10W 56kΩ	R 950	117-2231-10	1/10W 22kΩ						
R 815	117-5631-10	1/10W 56kΩ	R 886	117-1031-10	1/10W 10kΩ	R 951	117-2231-10	1/10W 22kΩ						
R 816	117-5631-10	1/10W 56kΩ	R 887	117-2231-10	1/10W 22kΩ	R 952	117-4731-10	1/10W 47kΩ						
R 817	117-4721-10	1/10W 4.7kΩ	R 888	117-2231-10	1/10W 22kΩ	R 953	117-3331-10	1/10W 33kΩ						
R 818	117-4721-10	1/10W 4.7kΩ	R 889	117-1021-10	1/10W 1kΩ	R 954	117-1021-10	1/10W 1kΩ						
R 819	117-2231-10	1/10W 22kΩ	R 890	117-1021-10	1/10W 1kΩ	R 955	117-5621-10	1/10W 5.6kΩ						
R 820	117-2231-10	1/10W 22kΩ	R 891	117-1021-10	1/10W 1kΩ	R 956	117-5621-10	1/10W 5.6kΩ						
R 821	117-1531-10	1/10W 15kΩ	R 892	117-1021-10	1/10W 1kΩ	R 957	117-4721-10	1/10W 4.7kΩ						
R 822	117-1531-10	1/10W 15kΩ	R 893	117-1021-10	1/10W 1kΩ	R 958	117-3311-10	1/10W 330Ω						
R 823	117-8221-10	1/10W 8.2kΩ	R 895	117-1021-10	1/10W 1kΩ	R 959	117-1021-10	1/10W 1kΩ						
R 824	117-8221-10	1/10W 8.2kΩ	R 896	117-1021-10	1/10W 1kΩ	R 960	117-1021-10	1/10W 1kΩ						
R 825	117-1801-10	1/10W 18Ω	R 897	117-1021-10	1/10W 1kΩ	R 961	117-3311-10	1/10W 330Ω						
R 826	117-8221-10	1/10W 8.2kΩ	R 898	117-1021-10	1/10W 1kΩ	R 962	117-1021-10	1/10W 1kΩ						
R 827	117-8221-10	1/10W 8.2kΩ	R 899	117-1021-10	1/10W 1kΩ	R 963	117-4721-10	1/10W 4.7kΩ						
R 829	117-8221-10	1/10W 8.2kΩ	R 900	117-7501-10	1/10W 75Ω	R 964	117-5631-10	1/10W 56kΩ						
R 830	117-8221-10	1/10W 8.2kΩ	R 901	117-1021-10	1/10W 1kΩ	R 965	117-1021-10	1/10W 1kΩ						
R 831	117-1531-10	1/10W 15kΩ	R 902	117-5621-10	1/10W 5.6kΩ	R 966								

REF No.	PART No.	DESCRIPTION
Q 706	125-0002-02	RN2402
R 701	117-1031-10	1/10W 10kΩ
R 702	117-1041-10	1/10W 100kΩ
R 703	117-1041-10	1/10W 100kΩ
R 705	118-5611-10	1/2W 560Ω
R 706	118-5611-10	1/2W 560Ω
R 707	118-5611-10	1/2W 560Ω
R 708	118-6811-10	1/2W 680Ω
R 709	118-6811-10	1/2W 680Ω
R 711	117-1021-10	1/10W 1kΩ
R 712	117-1021-10	1/10W 1kΩ
R 713	117-1021-10	1/10W 1kΩ

REF No.	PART No.	DESCRIPTION
R 714	117-1021-10	1/10W 1kΩ
R 715	117-1021-10	1/10W 1kΩ
R 716	117-1021-10	1/10W 1kΩ
R 717	117-4711-10	1/10W 470Ω
R 718	117-1021-10	1/10W 1kΩ
R 719	117-7501-10	1/10W 75Ω
R 720	117-7501-10	1/10W 75Ω
R 721	118-6811-10	1/2W 680Ω
S 701	013-6501-01	
S 702	013-6501-01	
S 703	013-6501-01	
S 704	013-6501-01	

REF No.	PART No.	DESCRIPTION
S 705	013-6501-01	
S 706	013-6501-01	
S 707	013-6501-01	
S 708	013-6501-01	
S 709	013-6501-01	
S 710	013-6501-01	
S 711	013-6501-01	
S 712	013-6501-01	
S 713	013-6501-02	
S 714	013-9900-00	
S 715	013-6501-01	

REF No.	PART No.	DESCRIPTION
C 186	178-4712-78	470pF
C 187	178-4712-78	470pF
C 188	178-4712-78	470pF
C 189	184-4773-22	10V470 μF
C 190	176-1011-00	100pF CH
C 191	178-4712-78	470pF
C 192	178-4712-78	470pF
C 193	042-0527-00	16V47 μF
C 194	178-4712-78	470pF
C 195	176-1011-00	100pF CH
C 196	178-1032-78	0.01 μF
C 197	176-1011-00	100pF CH
C 198	176-1011-00	100pF CH
C 199	178-2232-78	0.022 μF
C 301	183-4753-51	35V4.7 μF
C 302	183-1063-31	16V10 μF
C 303	183-4743-61	50V0.47 μF
C 304	178-1032-78	0.01 μF
C 305	178-1032-78	0.01 μF
C 306	178-1032-78	0.01 μF
C 307	178-1032-78	0.01 μF
C 308	178-1032-78	0.01 μF
C 310	178-1032-78	0.01 μF
C 311	178-2222-78	2200pF
C 312	178-1032-78	0.01 μF
C 313	176-3301-00	33pF CH
C 314	178-2222-78	2200pF
C 315	178-4732-78	0.047 μF
C 316	183-1063-32	16V10 μF
C 317	183-4753-51	35V4.7 μF
C 318	178-4732-78	0.047 μF
C 319	183-4753-51	35V4.7 μF
C 320	178-1042-78	0.1 μF
C 321	178-1022-78	1000pF
C 323	178-2722-78	2700pF
C 324	178-1032-78	0.01 μF
C 325	178-1022-78	1000pF
C 326	178-2242-78	0.22 μF
C 327	176-1011-00	100pF CH
C 328	176-3301-00	33pF CH
C 329	178-1042-78	0.1 μF
C 330	178-2232-78	0.022 μF
C 332	176-3301-00	33pF CH
C 334	178-2232-78	0.022 μF
C 335	183-1063-31	16V10 μF
C 336	176-1801-00	18pF CH
C 337	178-2712-78	270pF
C 338	178-1022-78	1000pF
C 339	183-4763-31	16V47 μF
C 340	176-1011-00	100pF CH
C 341	178-1022-78	1000pF
C 342	183-4763-31	16V47 μF
C 343	178-2732-78	0.027 μF
C 344	178-1032-78	0.01 μF
C 345	178-2232-78	0.022 μF
C 346	178-2732-78	0.027 μF
C 347	183-1073-21	10V100 μF
C 348	178-1232-78	0.012 μF
C 349	183-1063-31	16V10 μF
C 350	183-2263-31	16V22 μF
C 351	178-1532-78	0.015 μF
C 352	183-1063-31	16V10 μF
C 353	176-1011-00	100pF CH
C 357	183-1073-21	10V100 μF
C 501	183-1063-32	16V10 μF
C 502	178-1032-78	0.01 μF
C 503	184-4773-31	16V470 μF
C 504	176-3096-00	3pF CJ
C 505	183-1063-32	16V10 μF
C 506	042-0176-00	16V100 μF
C 507	178-1022-78	1000pF
C 508	176-1011-00	100pF CH
C 509	176-1011-00	100pF CH
C 510	176-1011-00	100pF CH
C 511	176-1011-00	100pF CH

REF No.	PART No.	DESCRIPTION
C 513	183-1063-32	16V10 μF
C 516	178-1022-78	1000pF
C 517	178-2242-78	0.22 μF
C 518	178-1022-78	1000pF
C 519	178-1022-78	1000pF
D 1	001-0516-00	MA111
D 2	001-0516-00	MA111
D 3	001-4900-06	UZMA-8.2
D 4	001-4900-06	UZMA-8.2
D 5	001-0584-13	MA8030
D 6	001-0516-00	MA111
D 7	001-0343-00	1SS131
D 8	001-0584-19	MA8051
D 9	001-4900-06	UZMA-8.2
D 10	001-0584-24	MA8082
D 11	001-0579-00	1SV128
D 12	001-0579-00	1SV128
D 13	001-0579-00	1SV128
D 14	001-0579-00	1SV128
D 16	001-0376-46	MTZJ9.1A
D 16	001-0377-46	MA4091L
D 17	001-0188-01	1S1885A
D 18	001-0294-00	1SS133
D 18	001-0330-00	1SS119
D 19	001-0354-00	MA151WK
D 19	001-0356-00	1SS184
D 19	001-0506-00	DAN202K
D 20	001-0376-45	MTZJ8.2C
D 20	001-0377-45	MA4082H
D 21	001-0354-00	MA151WK
D 21	001-0356-00	1SS184
D 21	001-0506-00	DAN202K
D 22	001-0516-00	MA111
D 23	001-0516-00	MA111
D 24	001-0367-00	1SS226
D 24	001-0540-00	HVM187WK
D 25	001-0516-00	MA111
D 28	001-0354-00	MA151WK
D 28	001-0356-00	1SS184
D 28	001-0506-00	DAN202K
D 29	001-0354-00	MA151WK
D 29	001-0356-00	1SS184
D 29	001-0506-00	DAN202K
D 30	001-0516-00	MA111
D 31	001-0354-00	MA151WK
D 31	001-0356-00	1SS184
D 31	001-0506-00	DAN202K
D 32	001-0516-00	MA111
D 34	001-0354-00	MA151WK
D 34	001-0356-00	1SS184
D 34	001-0506-00	DAN202K
D 35	001-0516-00	MA111
D 36	001-0516-00	MA111
D 301	001-0541-00	MA157
D 501	001-4300-56	HZU12B2
D 1001	001-4900-06	UZMA-8.2
D 1002	001-4900-06	UZMA-8.2
IC 1	052-1316-00	μ PD178016GC-516-3B9
IC 2	051-0350-55	NJM4558M
IC 3	051-0940-00	S-8054HN
IC 4	051-0160-06	SN74LS07NS-L
IC 4	051-7400-06	HD74LS07FP
IC 5	052-1307-10	μ PD78052GC-133-3B9
IC 6	051-0482-05	TC4053BF
IC 6	051-0482-35	MC14053BF
IC 7	051-1585-05	TD7104F
IC 8	051-1717-05	LC7219M
IC 9	051-6201-00	LC72146M
IC 10	051-5802-90	TA2050F
IC 11	051-5802-90	TA2050F
IC 12	051-2009-00	TDA8561Q
IC 13	051-1838-00	BA6161F

REF No.	PART No.	DESCRIPTION
IC 14	051-4404-00	AN7294FBS
IC 15	051-2009-00	TDA8561Q
IC 16	051-0792-00	TA78DS05BP
IC 17	051-1819-00	SAA6579T
IC 18	051-0350-55	NJM4558M
IC 19	051-0160-06	SN74LS07NS-L
IC 19	051-7400-06	HD74LS07FP
IC 301	051-1755-10	TA8700AN
IC 302	051-0987-01	AN7463S
IC 303	051-5310-00	M52317SP
IC 304	051-0350-55	NJM4558M
IC 501	051-5311-90	MC14577C-F
IFT 301	060-2200-01	SAF38.9MX70Z
IFT 302	005-5005-00	600XEAS
IFT 303	060-2000-02	CDSH6.0MC38K
IFT 304	005-2003-02	SFSL6.0MCB
IFT 305	005-2003-01	SFSL6.5MCB
IFT 306	005-2003-00	SFSL5.5MCB
IFT 307	060-2606-00	TPS5.5MB
IFT 308	060-2606-02	TPS6.0MB
IFT 309	060-2606-01	TPS6.5MB
J 1	074-1134-00	
J 2	074-1106-08	
J 3	074-1081-08	
J 4	074-1126-10	
J 5	075-9002-00	
J 6	075-0239-01	
J 7	075-0239-01	
J 8	075-0239-01	
J 9	075-0239-01	
J 10	074-1126-10	
J 301	074-1135-10	
J 302	074-1135-10	
L 1	010-2155-03	10 μH
L 2	010-2199-24	10 μH J
L 3	010-2155-03	10 μH
L 4	010-2199-24	10 μH J
L 5	010-2198-00	0.15 μH
L 6	010-2044-08	4.7mH
L 7	010-1838-00	100 μH
L 8	010-2199-64	1.5 μH J
L 11	010-2199-20	4.7 μH J
L 12	010-2199-20	4.7 μH J
L 13	010-2199-20	4.7 μH J
L 14	010-2199-20	4.7 μH J
L 17	010-2003-04	
L 18	010-3001-01	0.022 μH
L 19	010-2155-90	1.5 μF
L 20	010-2155-03	10 μH
L 21	010-2199-28	22 μH J
L 22	010-2199-28	22 μH J
L 23	010-3001-56	2.2m μF
L 24	010-2199-90	220 μH J
L 301	010-2198-52	3.3 μH
L 302	010-2199-29	27 μH J
L 303	010-2330-22	15 μH
L 304	010-2330-22	15 μH
L 305	010-2330-22	15 μH
L 309	010-2330-20	10 μH
P 1	076-0530-10	
P 2	076-0530-10	
P 3	076-0515-08	
P 7	074-0884-00	
Q 1	100-1162-00	2SA1162
Q 1	101-0709-00	2SB709A Q.R.S
Q 2	125-0001-02	UN2112
Q 2	125-0002-03	RN2403
Q 2	125-0014-03	DTA124EK
Q 3	102-3326-00	2SC3326
Q 3	103-1306-00	2SD1306
Q 4	102-3326-00	2SC3326
Q 4	103-1306-00	2SD1306
Q 5	100-1162-00	2SA1162
Q 5	101-0709-00	2SB709A Q.R.S
Q 6	102-2412-00	2SC2412

Tuner PWB

REF No.	PART No.	DESCRIPTION
ANT 1	092-0612-03	ANTENNA RECEPT
BL 1	941-0203-00	TV TUNER
BL 2	880-2081A	AM/FM TUNER
C 1	178-1022-78	1000pF
C 2	178-1022-78	1000pF
C 3	178-1042-78	0.1 μF
C 4	178-1042-78	0.1 μF
C 5	183-1073-22	10V100 μF
C 6	178-1022-78	1000pF
C 7	178-1042-78	0.1 μF
C 8	183-4753-52	35V4.7 μF
C 9	183-4753-52	35V4.7 μF
C 10	178-1032-78	0.01 μF
C 11	176-8201-00	82pF CH
C 12	183-4753-52	35V4.7 μF
C 13	176-4701-00	47pF CH
C 14	178-1042-78	0.1 μF
C 15	176-1011-00	100pF CH
C 16	183-2253-62	50V2.2 μF
C 17	178-3312-78	330pF
C 18	184-4773-22	10V470 μF
C 19	176-1011-00	100pF CH
C 20	178-1022-78	1000pF
C 21	183-4763-12	6.3V47 μF
C 22	183-4763-32	16V47 μF
C 23	178-5612-78	560pF
C 24	183-4763-32	16V47 μF
C 25	178-5612-78	560pF
C 26	178-1022-78	1000pF
C 27	178-2232-78	0.022 μF
C 28	178-2232-78	0.022 μF
C 29	183-4753-52	35V4.7 μF
C 30	183-4753-52	35V4.7 μF
C 31	178-2242-78	0.22 μF
C 32	176-2201-00	22pF CH
C 33	172-6831-11	0.068 μF
C 34	172-6831-11	0.068 μF
C 35	176-2201-00	22pF CH
C 36	178-1032-78	0.01 μF
C 37	184-4773-22	10V470 μF
C 38	178-1032-78	0.01 μF
C 39	178-1042-78	0.1 μF
C 40	183-1073-22	10V100 μF
C 41	178-1022-78	1000pF
C 42	178-1032-78	0.01 μF
C 43	178-1032-78	0.01 μF
C 44	183-1063-32	16V10 μF
C 45	178-1022-78	1000pF
C 46		

REF No.	PART No.	DESCRIPTION
Q 6	102-2712-00	2SC2712
Q 7	102-2412-00	2SC2412
Q 7	102-2712-00	2SC2712
Q 8	102-2412-00	2SC2412
Q 8	102-2712-00	2SC2712
Q 9	125-0001-02	UN2112
Q 9	125-0002-03	RN2403
Q 9	125-0014-03	DTA124EK
Q 10	125-2004-02	RN1402
Q 10	125-2005-01	UN2211
Q 10	125-2020-02	DTC114EK
Q 11	125-0001-02	UN2112
Q 11	125-0002-03	RN2403
Q 11	125-0014-03	DTA124EK
Q 12	125-0001-02	UN2112
Q 12	125-0002-03	RN2403
Q 12	125-0014-03	DTA124EK
Q 14	125-2004-02	RN1402
Q 14	125-2005-01	UN2211
Q 14	125-2020-02	DTC114EK
Q 15	100-1428-00	2SA1428
Q 17	125-0001-02	UN2112
Q 17	125-0002-03	RN2403
Q 17	125-0014-03	DTA124EK
Q 18	108-0208-00	2SK208
Q 19	102-2412-00	2SC2412
Q 19	102-2712-00	2SC2712
Q 20	108-0669-00	2SK669
Q 21	102-2412-00	2SC2412
Q 21	102-2712-00	2SC2712
Q 23	100-1428-00	2SA1428
Q 24	125-2004-03	RN1403
Q 24	125-2005-02	UN2212
Q 24	125-2020-03	DTC124EK
Q 25	125-2004-03	RN1403
Q 25	125-2005-02	UN2212
Q 25	125-2020-03	DTC124EK
Q 26	125-2004-03	RN1403
Q 26	125-2005-02	UN2212
Q 26	125-2020-03	DTC124EK
Q 27	100-1428-00	2SA1428
Q 28	125-2004-03	RN1403
Q 28	125-2005-02	UN2212
Q 28	125-2020-03	DTC124EK
Q 29	100-1428-00	2SA1428
Q 31	100-1428-00	2SA1428
Q 33	103-1683-00	2SD1683
Q 34	100-1428-00	2SA1428
Q 36	101-1143-00	2SB1143
Q 37	100-1428-00	2SA1428
Q 38	125-2004-03	RN1403
Q 38	125-2005-02	UN2212
Q 38	125-2020-03	DTC124EK
Q 39	102-3125-00	2SC3125
Q 40	125-0001-02	UN2112
Q 40	125-0002-03	RN2403
Q 40	125-0014-03	DTA124EK
Q 41	102-3326-00	2SC3326
Q 41	103-1306-00	2SD1306
Q 42	125-2004-03	RN1403
Q 42	125-2005-02	UN2212
Q 42	125-2020-03	DTC124EK
Q 43	108-0217-50	2SK217D,E
Q 44	102-2412-00	2SC2412
Q 44	102-2712-00	2SC2712
Q 45	125-2004-03	RN1403
Q 45	125-2005-02	UN2212
Q 45	125-2020-03	DTC124EK
Q 46	100-1162-00	2SA1162
Q 46	101-0709-00	2SB709A-Q.R.S
Q 47	102-2412-00	2SC2412
Q 47	102-2712-00	2SC2712
Q 48	102-2412-00	2SC2412
Q 48	102-2712-00	2SC2712
Q 50	125-2004-03	RN1403

REF No.	PART No.	DESCRIPTION
Q 50	125-2005-02	UN2212
Q 50	125-2020-03	DTC124EK
Q 51	125-2004-03	RN1403
Q 51	125-2005-02	UN2212
Q 51	125-2020-03	DTC124EK
Q 52	100-1162-00	2SA1162
Q 52	101-0709-00	2SB709A-Q.R.S
Q 53	100-1428-00	2SA1428
Q 54	102-2412-00	2SC2412
Q 54	102-2712-00	2SC2712
Q 301	102-2412-00	2SC2412
Q 301	102-2712-00	2SC2712
Q 302	102-2412-00	2SC2412
Q 302	102-2712-00	2SC2712
Q 303	100-1048-00	2SA1048
Q 304	102-2412-00	2SC2412
Q 304	102-2712-00	2SC2712
Q 305	102-3326-00	2SC3326
Q 305	103-1306-00	2SD1306
R 1	117-1031-10	1/10W 10kΩ
R 2	111-1031-91	1/4WS 10kΩ
R 3	111-2221-91	1/4WS 2.2kΩ
R 4	117-1021-10	1/10W 1kΩ
R 5	117-1021-10	1/10W 1kΩ
R 6	117-1021-10	1/10W 1kΩ
R 7	117-1031-10	1/10W 10kΩ
R 8	117-1021-10	1/10W 1kΩ
R 9	117-3311-10	1/10W 330Ω
R 10	117-3311-10	1/10W 330Ω
R 11	117-2231-10	1/10W 22kΩ
R 12	117-2231-10	1/10W 22kΩ
R 13	117-1011-10	1/10W 100Ω
R 14	117-1031-10	1/10W 10kΩ
R 15	117-1031-10	1/10W 10kΩ
R 16	111-2221-91	1/4WS 2.2kΩ
R 17	117-4711-10	1/10W 470Ω
R 18	117-1031-10	1/10W 10kΩ
R 19	117-3931-10	1/10W 39kΩ
R 20	117-4711-10	1/10W 470Ω
R 21	117-3931-10	1/10W 39kΩ
R 22	117-1031-10	1/10W 10kΩ
R 23	111-7501-91	1/4WS 75Ω
R 24	117-1031-10	1/10W 10kΩ
R 25	117-4711-10	1/10W 470Ω
R 26	117-1031-10	1/10W 10kΩ
R 27	117-1031-10	1/10W 10kΩ
R 28	117-4711-10	1/10W 470Ω
R 29	117-1031-10	1/10W 10kΩ
R 30	117-4711-10	1/10W 470Ω
R 31	117-1031-10	1/10W 10kΩ
R 32	117-1031-10	1/10W 10kΩ
R 33	117-1031-10	1/10W 10kΩ
R 35	117-1031-10	1/10W 10kΩ
R 36	117-1031-10	1/10W 10kΩ
R 37	117-3331-10	1/10W 33kΩ
R 38	117-3331-10	1/10W 33kΩ
R 41	117-1031-10	1/10W 10kΩ
R 42	117-1521-10	1/10W 1.5kΩ
R 43	117-1031-10	1/10W 10kΩ
R 45	117-4711-10	1/10W 470Ω
R 46	117-1021-10	1/10W 1kΩ
R 47	117-1031-10	1/10W 10kΩ
R 48	117-1021-10	1/10W 1kΩ
R 49	117-1021-10	1/10W 1kΩ
R 50	117-4731-10	1/10W 47kΩ
R 51	117-2201-10	1/10W 22Ω
R 52	117-1011-10	1/10W 100Ω
R 53	117-1031-10	1/10W 10kΩ
R 54	117-1021-10	1/10W 1kΩ
R 55	117-4721-10	1/10W 4.7kΩ
R 56	117-1031-10	1/10W 10kΩ
R 57	117-1031-10	1/10W 10kΩ
R 58	117-3321-10	1/10W 3.3kΩ
R 59	032-0084-00	1/4W 10Ω
R 60	117-1021-10	1/10W 1kΩ

REF No.	PART No.	DESCRIPTION
R 61	117-4711-10	1/10W 470Ω
R 62	117-4711-10	1/10W 470Ω
R 63	117-1021-10	1/10W 1kΩ
R 64	117-1021-10	1/10W 1kΩ
R 65	117-1021-10	1/10W 1kΩ
R 66	117-1021-10	1/10W 1kΩ
R 67	117-1021-10	1/10W 1kΩ
R 69	117-4711-10	1/10W 470Ω
R 70	117-1021-10	1/10W 1kΩ
R 71	117-4711-10	1/10W 470Ω
R 72	117-4711-10	1/10W 470Ω
R 73	117-4711-10	1/10W 470Ω
R 74	117-1021-10	1/10W 1kΩ
R 76	117-1021-10	1/10W 1kΩ
R 77	117-1021-10	1/10W 1kΩ
R 78	117-1021-10	1/10W 1kΩ
R 79	117-1021-10	1/10W 1kΩ
R 80	117-4721-10	1/10W 4.7kΩ
R 81	117-1021-10	1/10W 1kΩ
R 82	117-1031-10	1/10W 10kΩ
R 83	117-1031-10	1/10W 10kΩ
R 84	117-4721-10	1/10W 4.7kΩ
R 85	117-4721-10	1/10W 4.7kΩ
R 87	117-4721-10	1/10W 4.7kΩ
R 88	117-1031-10	1/10W 10kΩ
R 89	117-1021-10	1/10W 1kΩ
R 90	117-1011-10	1/10W 100Ω
R 91	117-4711-10	1/10W 470Ω
R 92	117-4711-10	1/10W 470Ω
R 93	117-1021-10	1/10W 1kΩ
R 94	117-4711-10	1/10W 470Ω
R 95	117-4711-10	1/10W 470Ω
R 96	117-4711-10	1/10W 470Ω
R 98	117-1231-10	1/10W 12kΩ
R 99	117-3321-10	1/10W 3.3kΩ
R 100	117-2221-10	1/10W 2.2kΩ
R 101	117-2231-10	1/10W 22kΩ
R 102	117-1031-10	1/10W 10kΩ
R 103	117-1231-10	1/10W 12kΩ
R 104	117-2731-10	1/10W 27kΩ
R 105	117-2211-10	1/10W 220Ω
R 106	117-1041-10	1/10W 100kΩ
R 107	117-2221-10	1/10W 22kΩ
R 108	117-1021-10	1/10W 1kΩ
R 109	117-1021-10	1/10W 1kΩ
R 110	117-1021-10	1/10W 1kΩ
R 111	117-1021-10	1/10W 1kΩ
R 112	117-2231-10	1/10W 22kΩ
R 113	117-1021-10	1/10W 1kΩ
R 114	117-1031-10	1/10W 10kΩ
R 115	117-1021-10	1/10W 1kΩ
R 117	117-2231-10	1/10W 22kΩ
R 118	117-1021-10	1/10W 1kΩ
R 119	117-3331-10	1/10W 33kΩ
R 120	117-2231-10	1/10W 22kΩ
R 121	117-3331-10	1/10W 33kΩ
R 122	111-1221-91	1/4WS 1.2kΩ
R 123	117-1541-10	1/10W 150kΩ
R 124	117-1031-10	1/10W 10kΩ
R 125	117-2211-10	1/10W 220Ω
R 126	117-4721-10	1/10W 4.7kΩ
R 127	111-1011-91	1/4WS 100Ω
R 128	117-4721-10	1/10W 4.7kΩ
R 129	117-1211-10	1/10W 120Ω
R 130	117-2231-10	1/10W 22kΩ
R 133	117-1031-10	1/10W 10kΩ
R 136	117-1031-10	1/10W 10kΩ
R 137	117-1021-10	1/10W 1kΩ
R 138	117-1031-10	1/10W 10kΩ
R 139	117-1031-10	1/10W 10kΩ
R 140	117-1031-10	1/10W 10kΩ
R 141	117-1521-10	1/10W 1.5kΩ
R 142	117-1031-10	1/10W 10kΩ
R 143	117-1031-10	1/10W 10kΩ
R 144	117-1031-10	1/10W 10kΩ

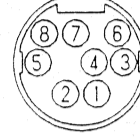
REF No.	PART No.	DESCRIPTION
R 145	117-1031-10	1/10W 10kΩ
R 146	117-5611-10	1/10W 560Ω
R 147	117-1011-10	1/10W 100Ω
R 148	117-5611-10	1/10W 560Ω
R 149	117-5611-10	1/10W 560Ω
R 150	117-5611-10	1/10W 560Ω
R 151	117-1011-10	1/10W 100Ω
R 152	117-1521-10	1/10W 1.5kΩ
R 153	117-1011-10	1/10W 100Ω
R 154	117-1011-10	1/10W 100Ω
R 155	117-4711-10	1/10W 470Ω
R 156	117-1031-10	1/10W 10kΩ
R 157	117-1521-10	1/10W 1.5kΩ
R 158	117-1521-10	1/10W 1.5kΩ
R 159	117-1031-10	1/10W 10kΩ
R 160	117-1031-10	1/10W 10kΩ
R 161	117-5621-10	1/10W 5.6kΩ
R 162	117-1041-10	1/10W 100kΩ
R 163	117-1031-10	1/10W 10kΩ
R 164	117-8221-10	1/10W 8.2kΩ
R 165	117-1521-10	1/10W 1.5kΩ
R 166	117-2201-10	1/10W 22Ω
R 168	117-1031-10	1/10W 10kΩ
R 169	117-5621-10	1/10W 5.6kΩ
R 170	111-1221-91	1/4WS 1.2kΩ
R 171	111-3311-91	1/4WS 330Ω
R 172	111-1011-91	1/4WS 100Ω
R 173	111-1031-91	1/4WS 10kΩ
R 175	117-2221-10	1/10W 2.2kΩ
R 176	117-1831-10	1/10W 18kΩ
R 177	117-1031-10	1/10W 10kΩ
R 178	117-1031-10	1/10W 10kΩ
R 179	117-1021-10	1/10W 1kΩ
R 180	117-1521-10	1/10W 1.5kΩ
R 181	117-7521-10	1/10W 7.5kΩ
R 182	117-3301-10	1/10W 33Ω
R 183	117-3311-10	1/10W 330Ω
R 184	117-1511-10	1/10W 150Ω
R 185	117-2211-10	1/10W 220Ω
R 187	117-1021-10	1/10W 1kΩ
R 189	117-1031-10	1/10W 10kΩ
R 190	117-2231-10	1/10W 22kΩ
R 191	117-2231-10	1/10W 22kΩ
R 192	117-2231-10	1/10W 22kΩ
R 193	117-2231-10	1/10W 22kΩ
R 194	117-3341-10	1/10W 330kΩ
R 195	117-1001-10	1/10W 10Ω
R 196	117-3921-10	1/10W 3.9kΩ
R 197	117-2201-10	1/10W 22Ω
R 198	111-2201-81	1/2W 22Ω
R 199	117-5631-10	1/10W 56kΩ
R 301	117-1021-10	1/10W 1kΩ
R 302	117-5601-10	1/10W 56Ω
R 303	117-3921-10	1/10W 3.9kΩ
R 304	117-1031-10	1/10W 10kΩ
R 305	117-4721-10	1/10W 4.7kΩ
R 306	117-1241-10	1/10W 120kΩ

REF No.	PART No.	DESCRIPTION
R 307	117-3331-10	1/10W 33kΩ
R 308	117-1521-10	1/10W 1.5kΩ
R 309	117-1811-10	1/10W 180Ω
R 310	117-4721-10	1/10W 4.7kΩ
R		

■ PRINTED WIRING BOARD  
Tuner amp P.W.B section

1	RX
2	TX
3	DSP-REQ
4	REMOTE +B
5	MUTE
6	+B
7	+B
8	GND

DSP/EQ



A	BACK/UP	G	
B	GND	H	
C	RL+	I	
D	RL-	J	
E	FL+	K	
F	FL-	L	

POWER SUPPLY

L	K	J	I	H
F	E	D	C	B

VR302:SOFT MUTE

TP302:LLD COIL

VR1 S-METER

VR3:FM SD

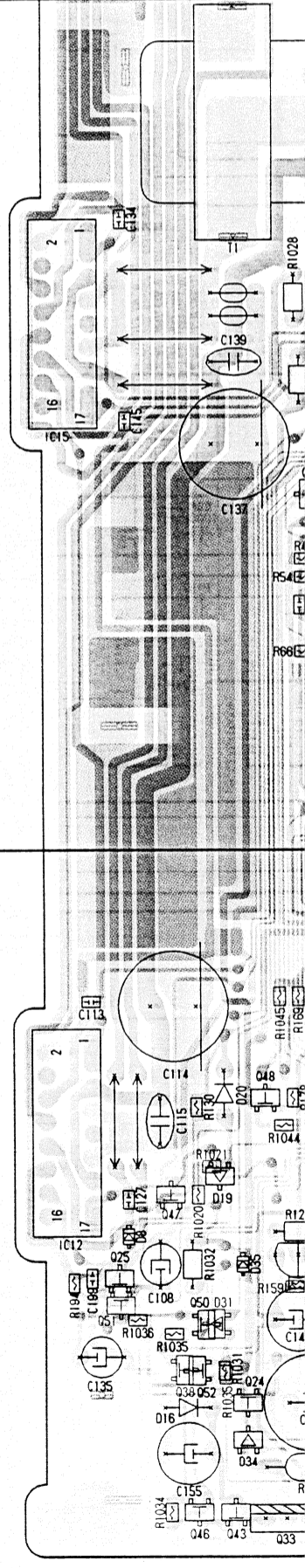
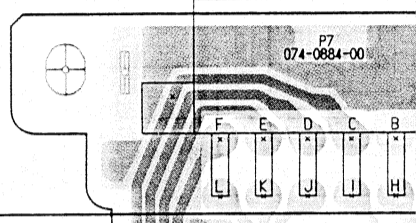
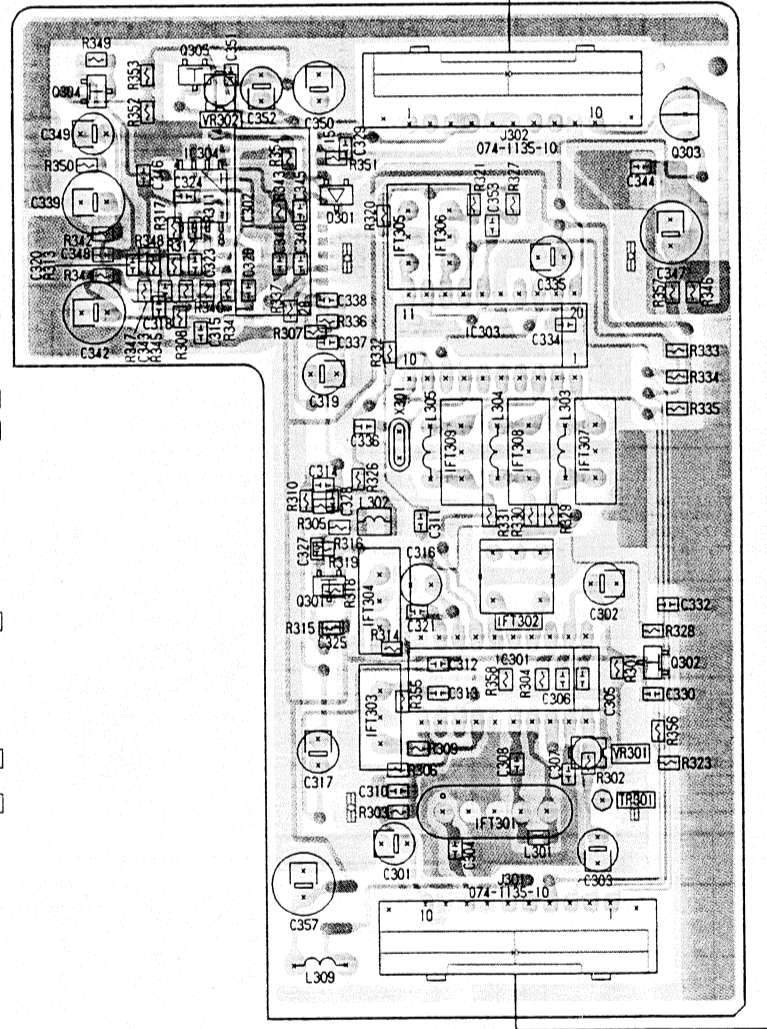
IFT302:LLD COIL

VR301:RF ABC

TP301:LLD COIL

TP3:FM SD

TP201:LLD COIL  
RF ABC



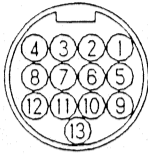
1	BACK/UP	11	MUTE
2		12	VIDEO
3	RESET	13	VIDEO GND
4	RX	14	REAR Lch
5	TX	15	REAR Rch
6	TU-RQ	16	AV-ON
7	DSP-REQ	17	TUNER-Lch
8	TUN/DSP	18	TUNER-Rch
9	FRONT Lch	19	FR GND
10	FRONT Rch	20	S GND

1	SI/SO
2	SCK
3	
4	SRQ
5	REMOTE POWER
6	S-GND
7	Lch
8	Rch
9	
10	BACK UP
11	ACC CONT
12	GND
13	

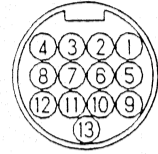
SOURCE UNIT



SOURCE UNIT

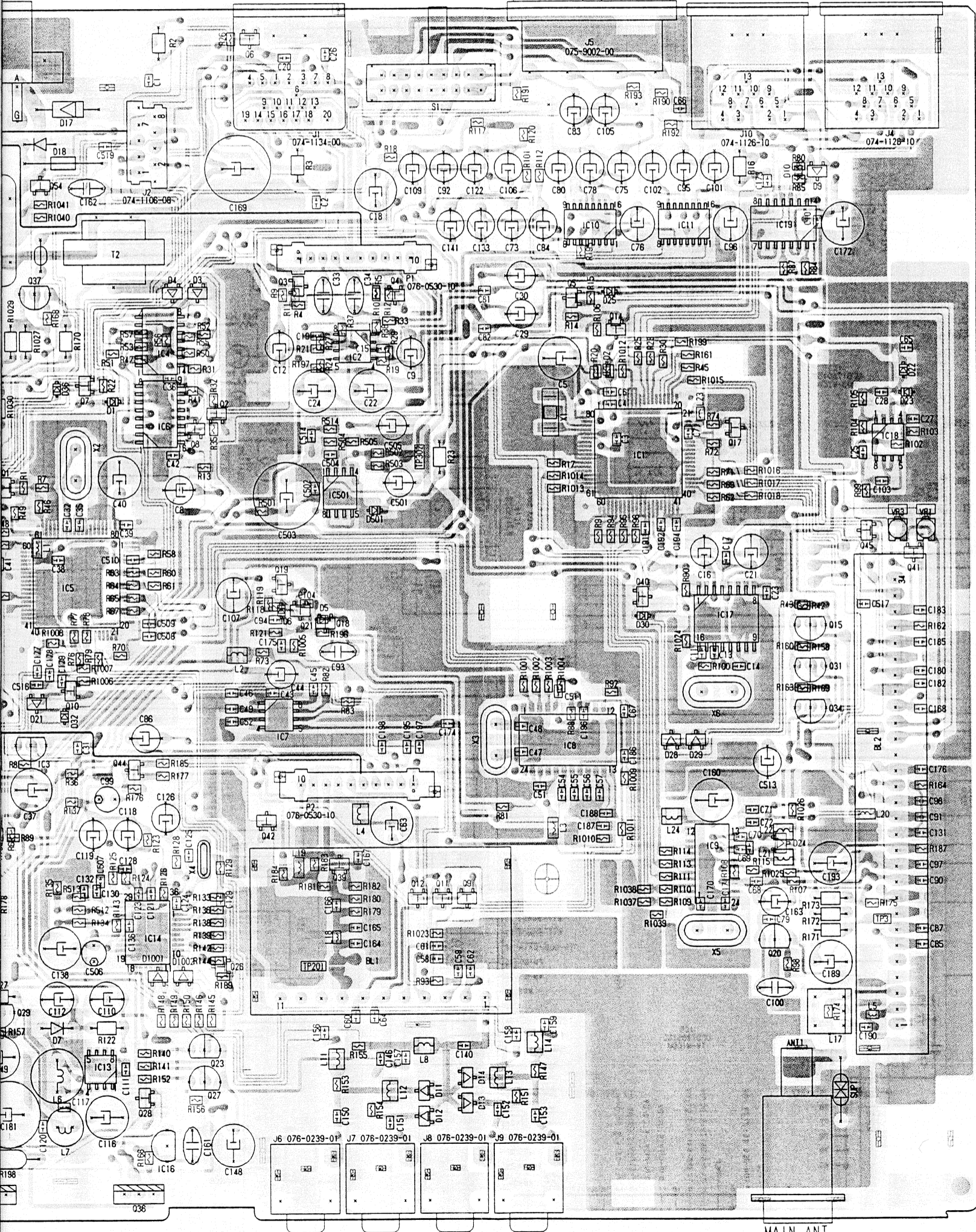


CD CHANGER



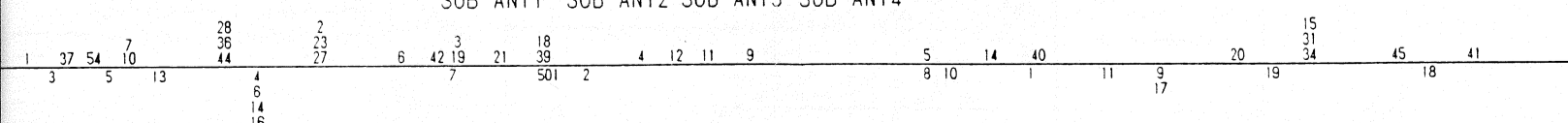
AUDIO OUT REAR FRONT

REMOTE  
R+  
R-  
G  
A



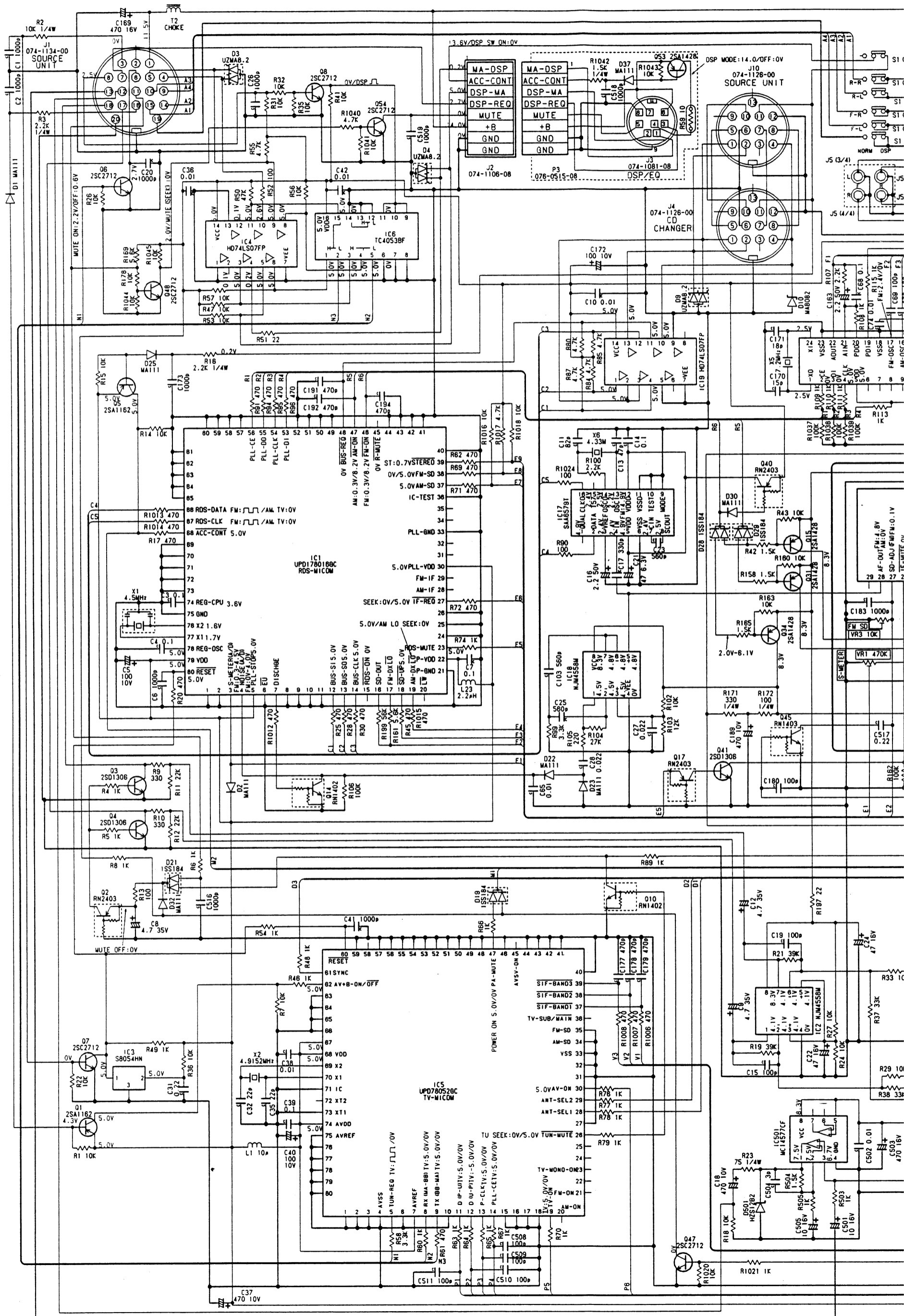
SUB ANT1 SUB ANT2 SUB ANT3 SUB ANT4

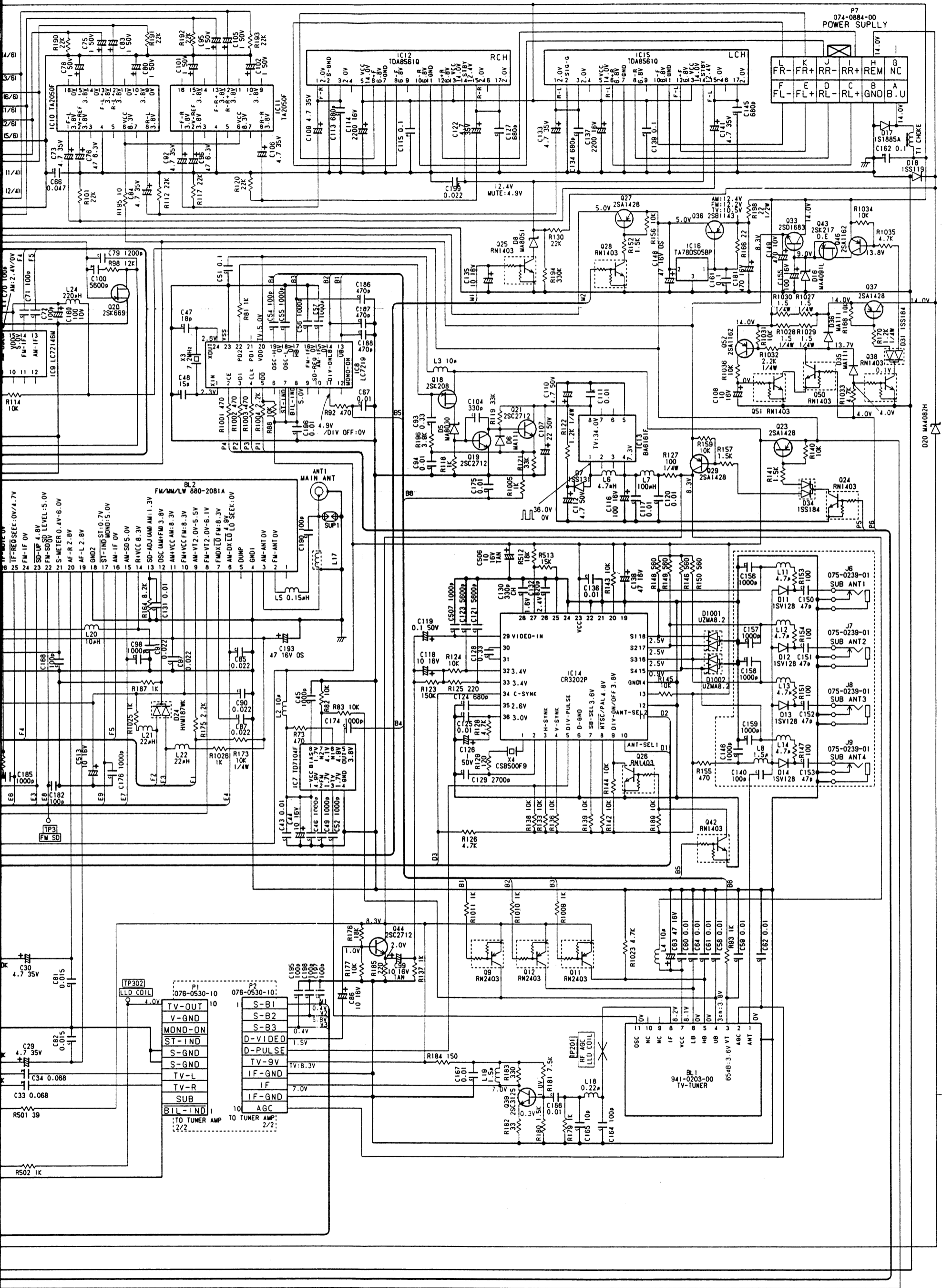
MAIN ANT



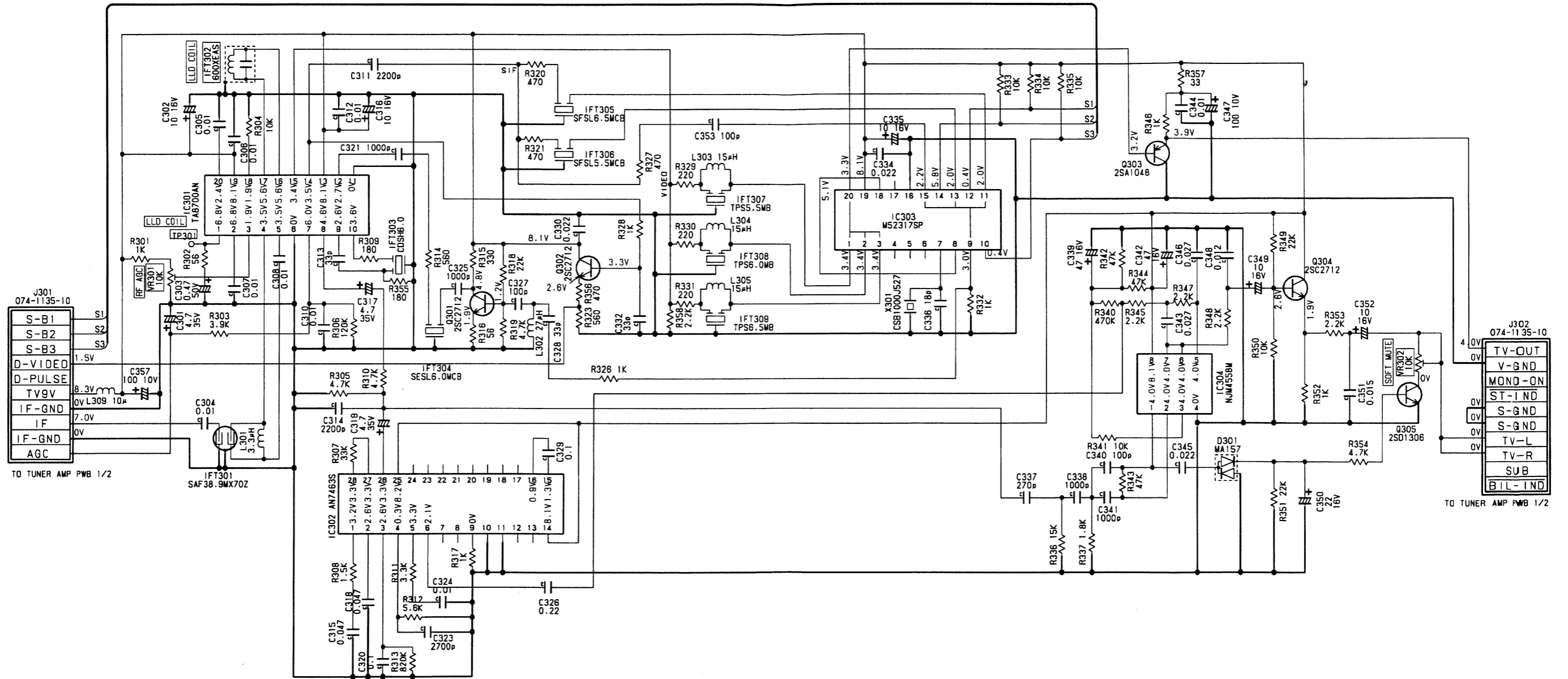
# CIRCUIT DIAGRAM

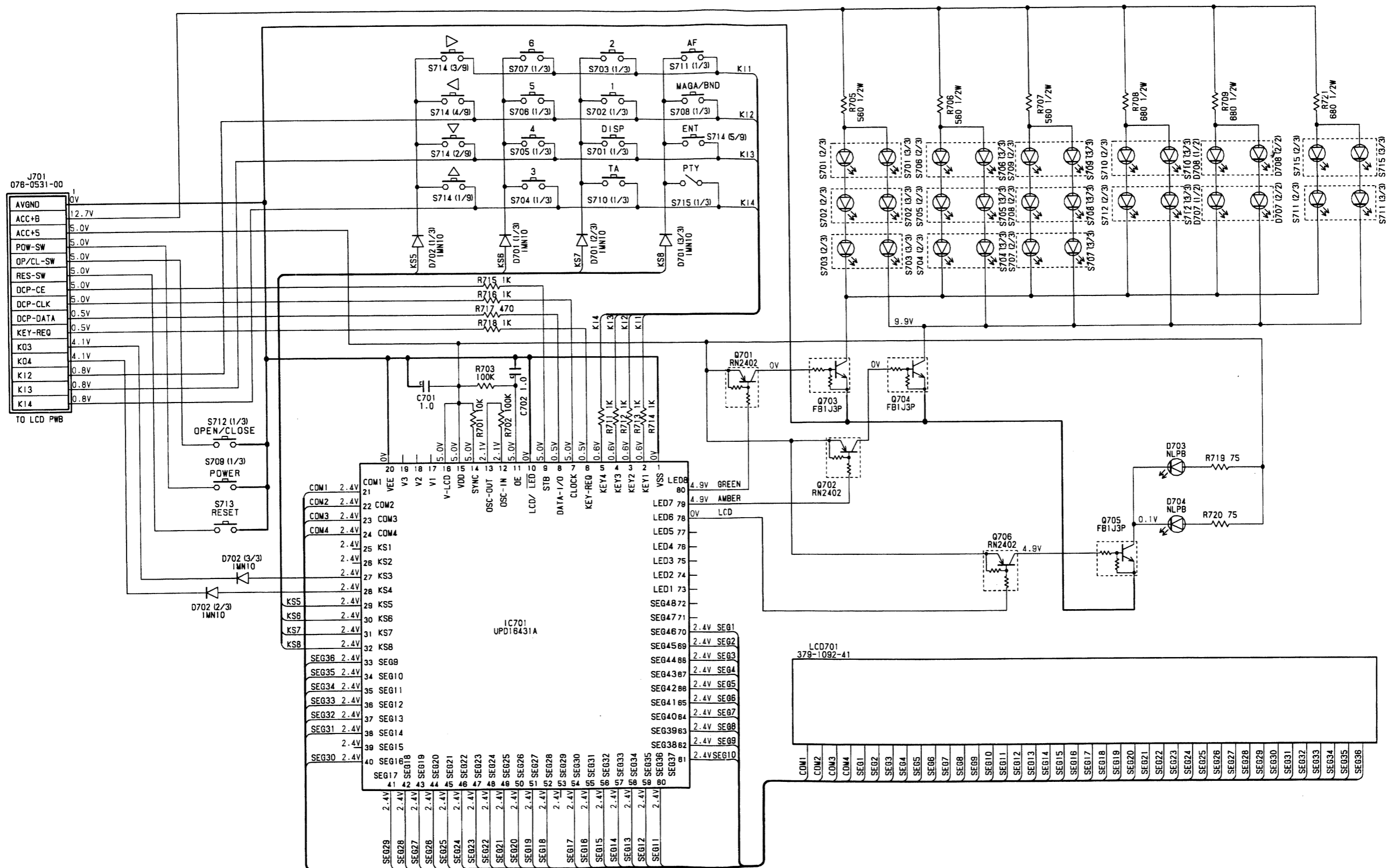
Tuner amp P.W.B section 1 / 2



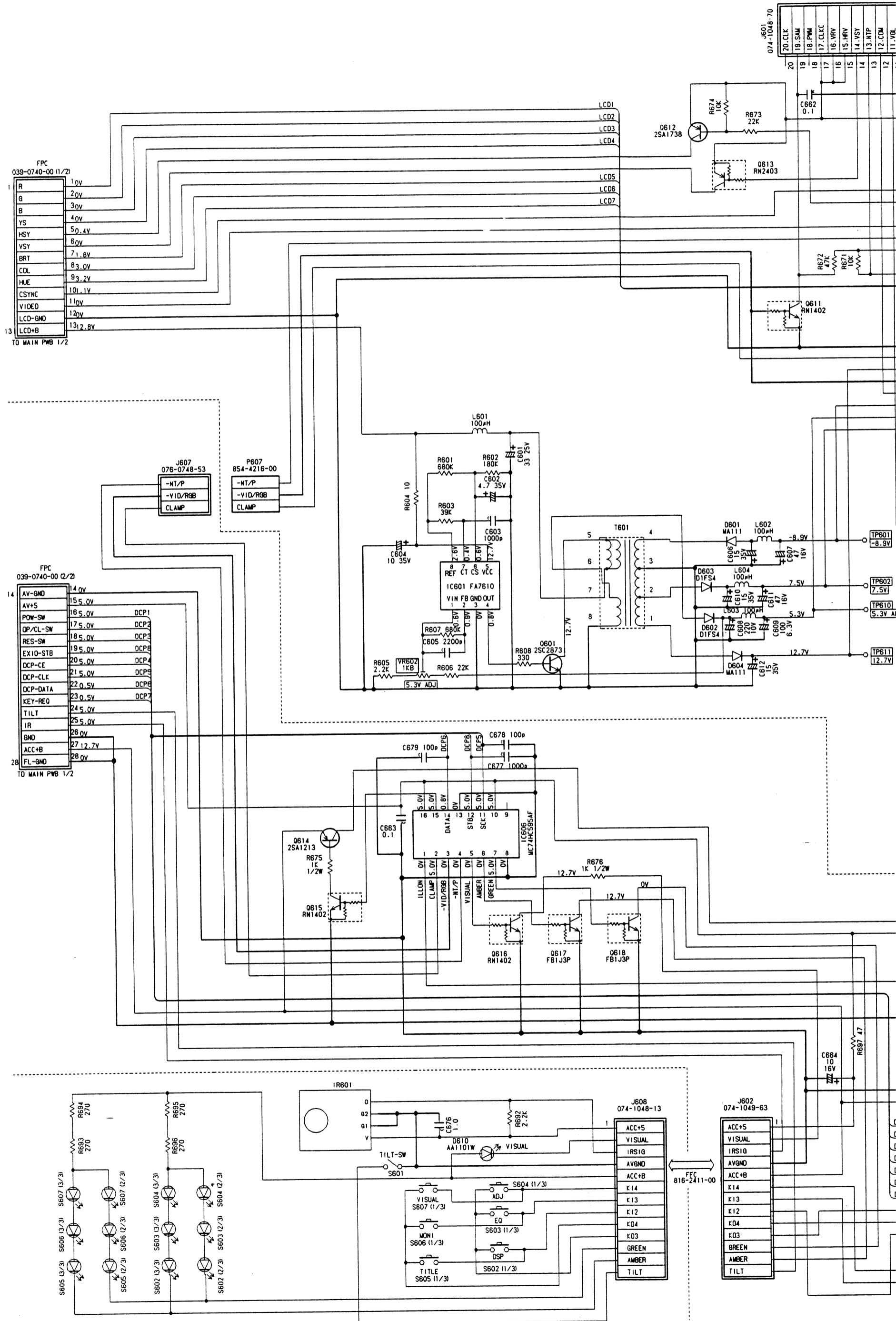






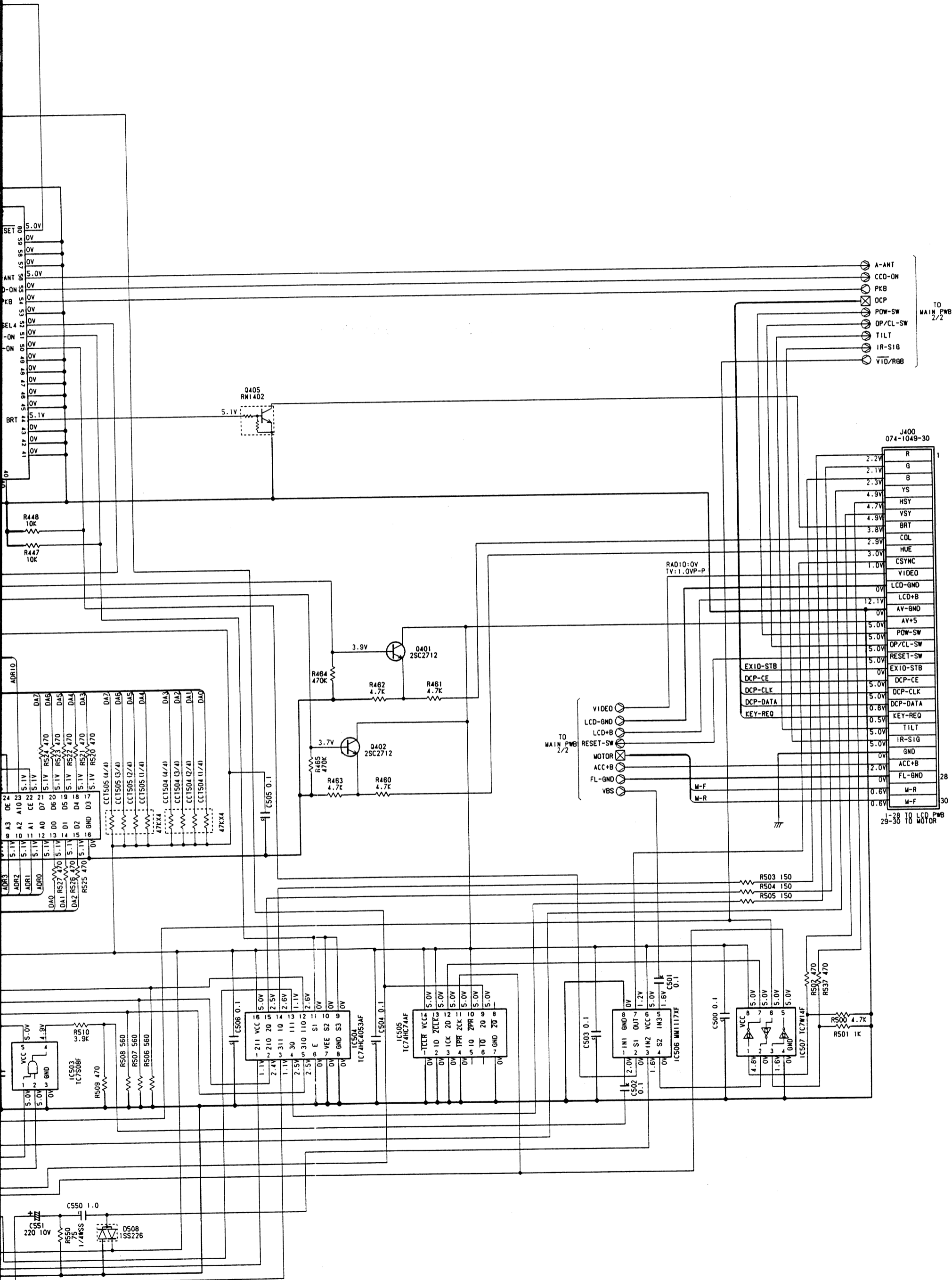


LCD P.W.B section

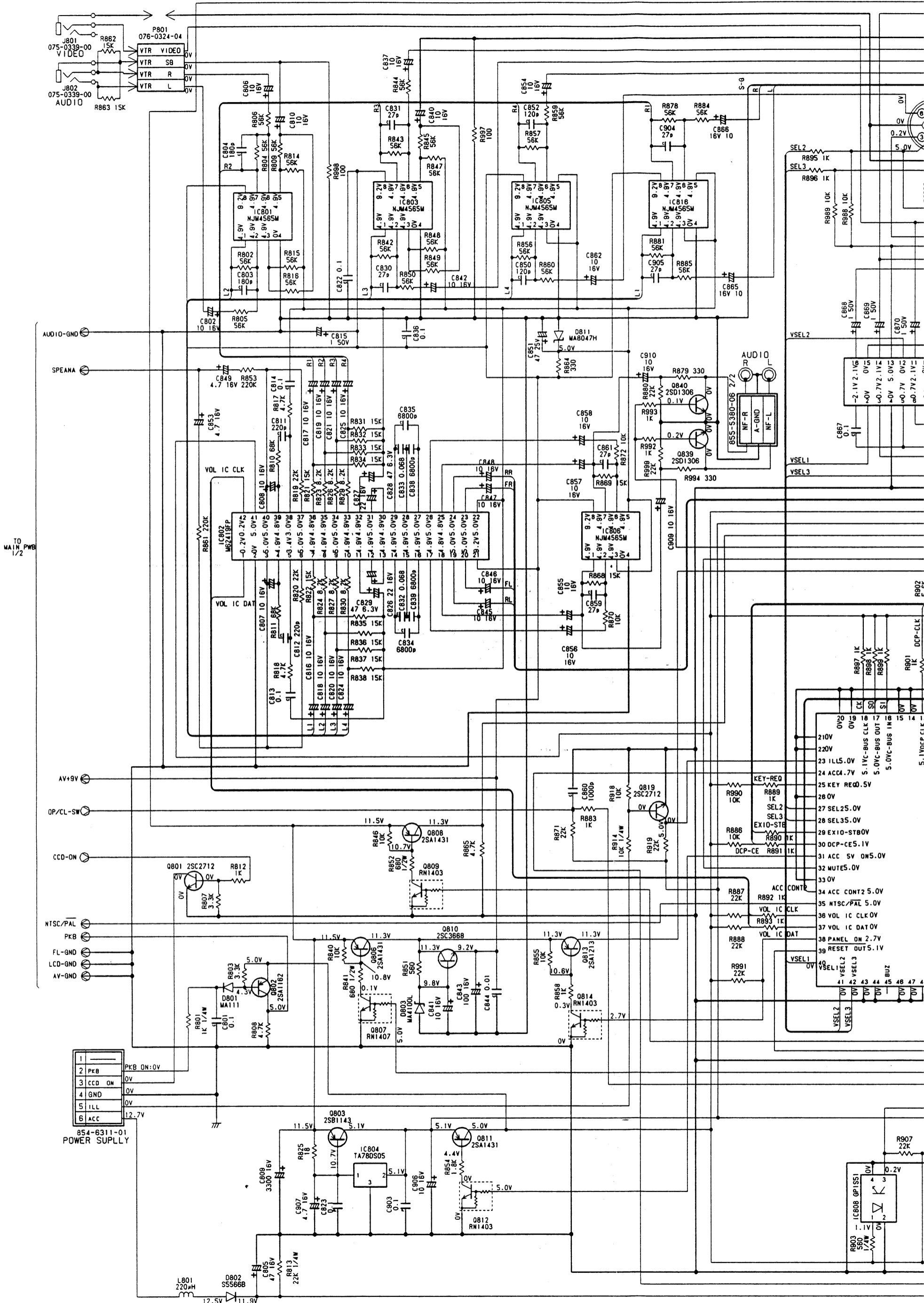








Main P.W.B section 2 / 2

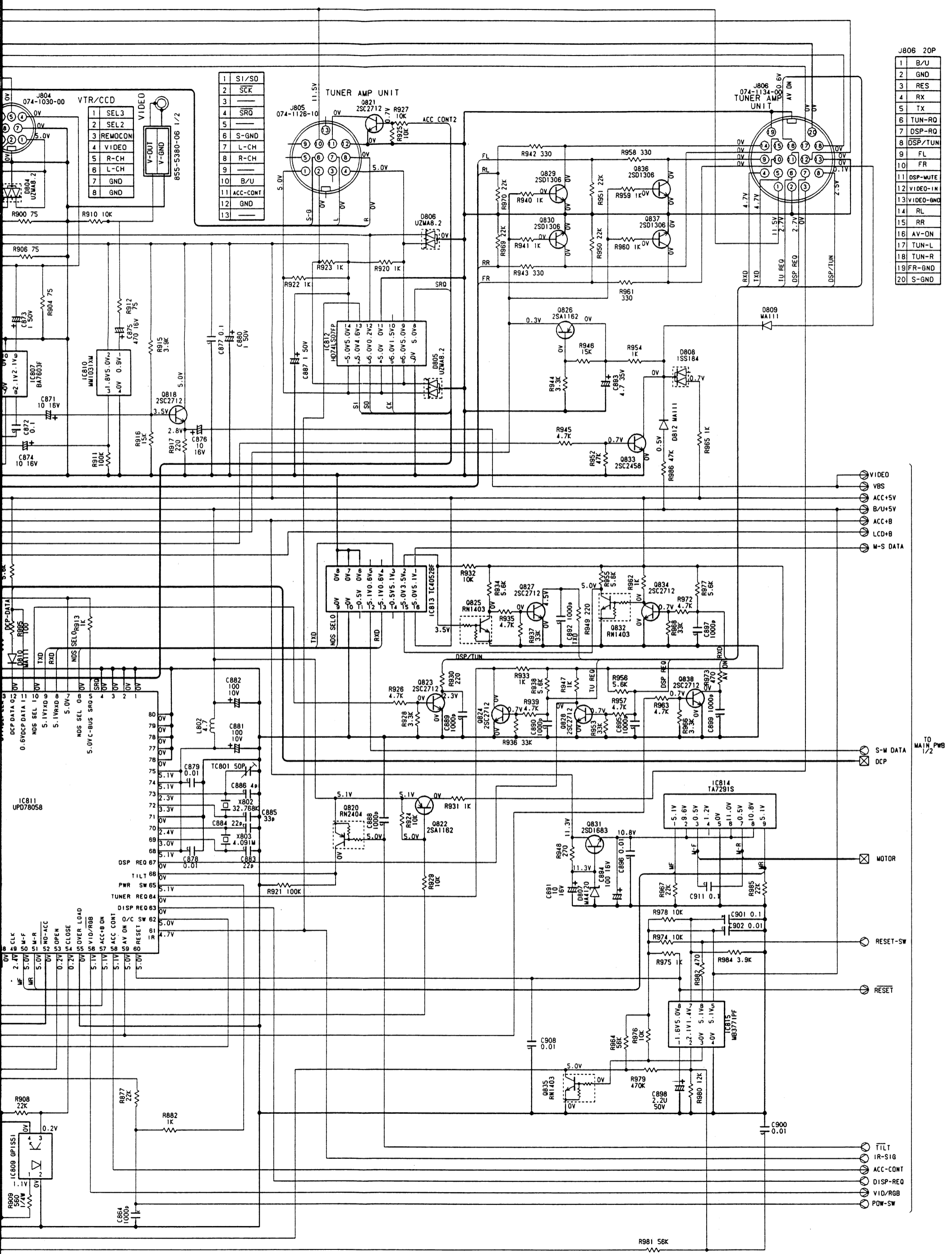


TO MAIN PWB 1/2

854-6311-01 POWER SUPPLY

1	PKB DN:0V
2	PKB 0V
3	CCD ON 0V
4	GND 0V
5	ILL 0V
6	ACC 12.7V

21	210V
22	220V
23	ILL 5.0V
24	ACCA 7V
25	KEY REQ 0.5V
26	0V
27	SEL 25.0V
28	SEL 35.0V
29	EXIO-STB 0V
30	DCP-CE 5.0V
31	ACC 5V 0M5.0V
32	MUTES 0V
33	0V
34	ACC CONTR 5.0V
35	NTSC/PAL 5.0V
36	VOL IC CLK 0V
37	VOL IC DAT 0V
38	PANEL ON 2.7V
39	RESET OUT 5.1V
40	VSEL 1 0V
41	VSEL 2 0V
42	VSEL 3 0V
43	0V
44	0V
45	BUZ
46	0V
47	0V



J806 20P

1	B/U
2	GND
3	RES
4	RX
5	TX
6	TUN-RQ
7	DSP-RQ
8	DSP/TUN
9	FL
10	FR
11	DSP-MUTE
12	VIDEO-IN
13	VIDEO-GND
14	RL
15	RR
16	AV-ON
17	TUN-L
18	TUN-R
19	FR-GND
20	S-GND

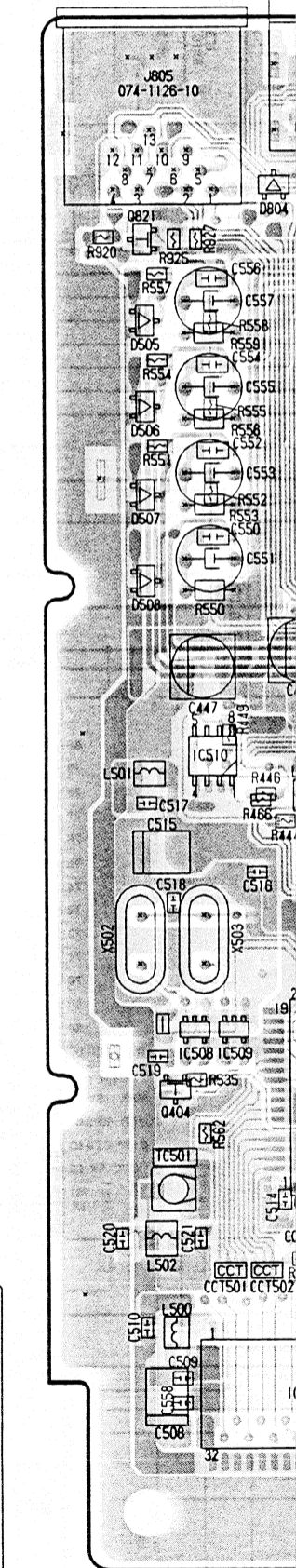
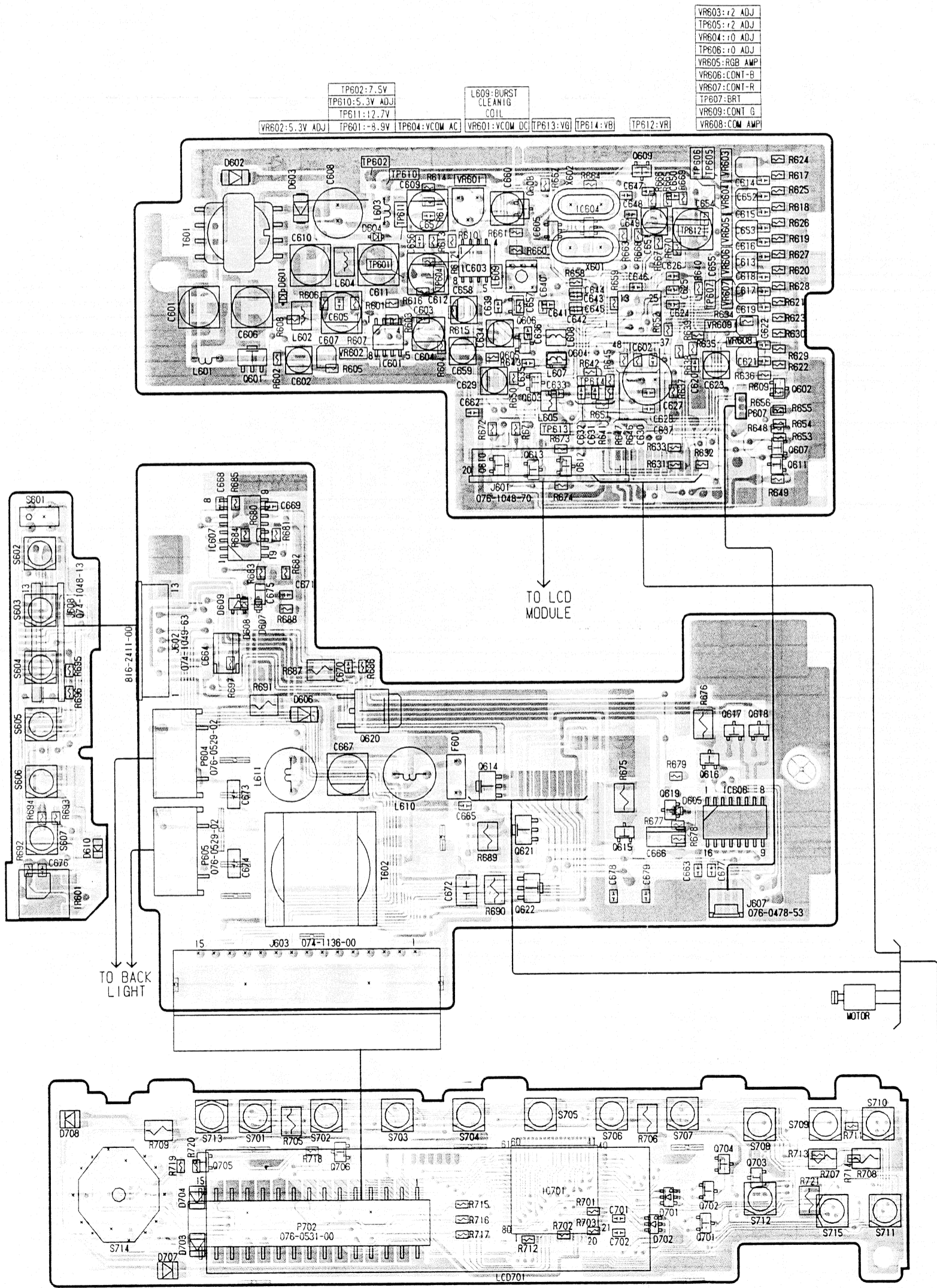
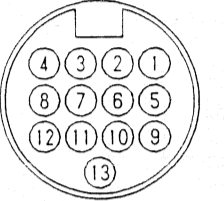
- VIDEO
- VBS
- ACC+5V
- B/U+5V
- ACC+B
- LCD+B
- M-S DATA
- S-M DATA
- DCP
- MOTOR
- RESET-SW
- RESET
- TILT
- IR-SIG
- ACC-CONT
- DISP-REQ
- VID/RGB
- POW-SW

TO MAIN PWB 1/2



1	SI/SO
2	SCK
3	
4	SRQ
5	REMOTE POWER
6	S-GND
7	Lch
8	Rch
9	
10	BACK UP
11	ACC CONT
12	GND
13	

TUNER AMP UNIT



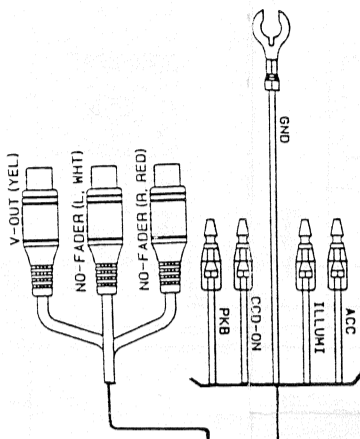
1	SEL3
2	SEL2
3	REMOTE
4	VIDEO IN
5	Rch-IN
6	Lch-IN
7	GND
8	A-GND
CASE	GND

1	---	---
2	PKB	ORG
3	CCD ON	WHT/RED
4	GND	BLK
5	ILLUMI	ORG/WHT
6	ACC	RED

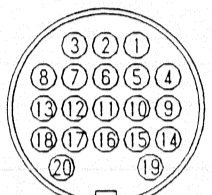
1	BACK/UP	11	MUTE
2	---	12	VIDEO
3	RESET	13	VIDEO GND
4	RX	14	REAR Lch
5	TX	15	REAR Rch
6	TU-RQ	16	AV-ON
7	DSP-REQ	17	TUNER-Lch
8	TUN/DSP	18	TUNER-Rch
9	FRONT Lch	19	FR GND
10	FRONT Rch	20	S GND

1	NAVI R
2	NAVI G
3	NAVI B
4	NAVI-SYNC
5	---
6	---
7	---
8	SEL 4
CASE	GND

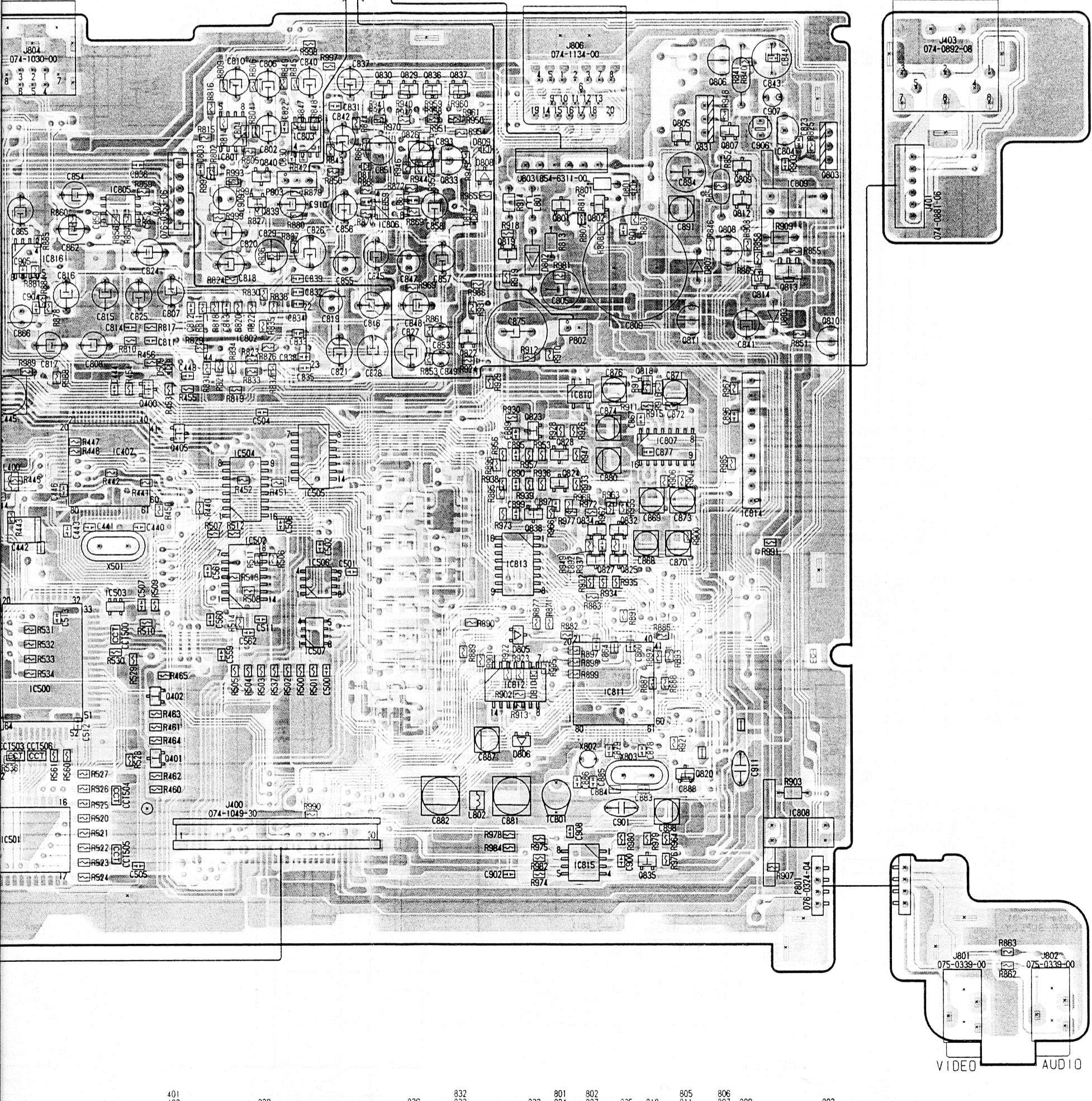
VTR/CCD



TUNER AMP UNIT



RGB



401	839	801	505	830	826	832	801	802	805	806	803
402	840	502	506	829	836	833	823	827	811	807	813
403	801	504	507	837	819	828	824	834	825	818	808
404	802	505	508	812	813	810	811	811	832	835	814
405	803	506	509	814	815	812	813	814	807	814	814
		510	511	815	816	813	814	815	815	815	815
		512	513	816	817	814	815	816	816	816	816
		514	515	817	818	815	816	817	817	817	817
		516	517	818	819	816	817	818	818	818	818
		518	519	819	820	817	818	819	819	819	819
		520	521	820	821	818	819	820	820	820	820
		522	523	821	822	819	820	821	821	821	821
		524	525	822	823	820	821	822	822	822	822
		526	527	823	824	821	822	823	823	823	823
		528	529	824	825	822	823	824	824	824	824
		530	531	825	826	823	824	825	825	825	825
		532	533	826	827	824	825	826	826	826	826
		534	535	827	828	825	826	827	827	827	827
		536	537	828	829	826	827	828	828	828	828
		538	539	829	830	827	828	829	829	829	829
		540	541	830	831	828	829	830	830	830	830
		542	543	831	832	829	830	831	831	831	831
		544	545	832	833	830	831	832	832	832	832
		546	547	833	834	831	832	833	833	833	833
		548	549	834	835	832	833	834	834	834	834
		550	551	835	836	833	834	835	835	835	835
		552	553	836	837	834	835	836	836	836	836
		554	555	837	838	835	836	837	837	837	837
		556	557	838	839	836	837	838	838	838	838
		558	559	839	840	837	838	839	839	839	839
		560	561	840	841	838	839	840	840	840	840
		562	563	841	842	839	840	841	841	841	841
		564	565	842	843	840	841	842	842	842	842
		566	567	843	844	841	842	843	843	843	843
		568	569	844	845	842	843	844	844	844	844
		570	571	845	846	843	844	845	845	845	845
		572	573	846	847	844	845	846	846	846	846
		574	575	847	848	845	846	847	847	847	847
		576	577	848	849	846	847	848	848	848	848
		578	579	849	850	847	848	849	849	849	849
		580	581	850	851	848	849	850	850	850	850
		582	583	851	852	849	850	851	851	851	851
		584	585	852	853	850	851	852	852	852	852
		586	587	853	854	851	852	853	853	853	853
		588	589	854	855	852	853	854	854	854	854
		590	591	855	856	853	854	855	855	855	855
		592	593	856	857	854	855	856	856	856	856
		594	595	857	858	855	856	857	857	857	857
		596	597	858	859	856	857	858	858	858	858
		598	599	859	860	857	858	859	859	859	859
		600	601	860	861	858	859	860	860	860	860
		602	603	861	862	859	860	861	861	861	861
		604	605	862	863	860	861	862	862	862	862
		606	607	863	864	861	862	863	863	863	863
		608	609	864	865	862	863	864	864	864	864
		610	611	865	866	863	864	865	865	865	865
		612	613	866	867	864	865	866	866	866	866
		614	615	867	868	865	866	867	867	867	867
		616	617	868	869	866	867	868	868	868	868
		618	619	869	870	867	868	869	869	869	869
		620	621	870	871	868	869	870	870	870	870
		622	623	871	872	869	870	871	871	871	871
		624	625	872	873	870	871	872	872	872	872
		626	627	873	874	871	872	873	873	873	873
		628	629	874	875	872	873	874	874	874	874
		630	631	875	876	873	874	875	875	875	875
		632	633	876	877	874	875	876	876	876	876
		634	635	877	878	875	876	877	877	877	877
		636	637	878	879	876	877	878	878	878	878
		638	639	879	880	877	878	879	879	879	879
		640	641	880	881	878	879	880	880	880	880
		642	643	881	882	879	880	881	881	881	881
		644	645	882	883	880	881	882	882	882	882
		646	647	883	884	881	882	883	883	883	883
		648	649	884	885	882	883	884	884	884	884
		650	651	885	886	883	884	885	885	885	885
		652	653	886	887	884	885	886	886	886	886
		654	655	887	888	885	886	887	887	887	887
		656	657	888	889	886	887	888	888	888	888
		658	659	889	890	887	888	889	889	889	889
		660	661	890	891	888	889	890	890	890	890
		662	663	891	892	889	890	891	891	891	891
		664	665	892	893	890	891	892	892	892	892
		666	667	893	894	891	892	893	893	893	893
		668	669	894	895	892	893	894	894	894	894
		670	671	895	896	893	894	895	895	895	895
		672	673	896	897	894	895	896	896	896	896
		674	675	897	898	895	896	897	897	897	897
		676	677	898	899	896	897	898	898	898	898
		678	679	899	900	897	898	899	899	899	899
		680	681	900	901	898	899	900	900	900	900
		682	683	901	902	899	900	901	901	901	901
		684	685	902	903	900	901	902	902	902	902
		686	687	903	904	901	902	903	903	903	903
		688	689	904	905	902	903	904	904	904	904
		690	691	905	906	903	904	905	905	905	905
		692	693	906	907	904	905	906	906	906	906
		694	695	907	908	905	906	907	907	907	907
		696	697	908	909	906	907	908	908	908	908
		698	699	909	910	907	908	909	909	909	909
		700	701	910	911	908	909	910	910	910	910
		702	703	911	912	909	910	911	911	911	911
		704	705	912	913	910	911	912	912	912	912
		706	707	913	914	911	912	913	913	913	913
		708	709	914	915	912	913	914	914	914	914
		710	711	915	916	913	914	915	915	915	915
		712	713	916	917	914	915	916	916	916	916
		714	715	917	918	915	916	917	917	917	917
		716	717	918	919	916	917	918	918	918	918
		718	719	919	920	917	918	919	919	919	919
		720	721	920	921	918	919	920	920	920	920
		722	723	921	922	919	920	921	921	921	921
		724	725	922	923	920	921	922	922	922	922
		726	727	923	924	921	922	923	923	923	923
		728	729	924	925	922	923	924	924	924	924
		730	731	925	926	923	924	925	925	925	925
		732	733	926	927	924	925	926	926	926	926
		734	735	927	928	925					