

CD RECEIVER

KDC-9007/9008/7007 7008/7050R

SERVICE MANUAL

KENWOOD

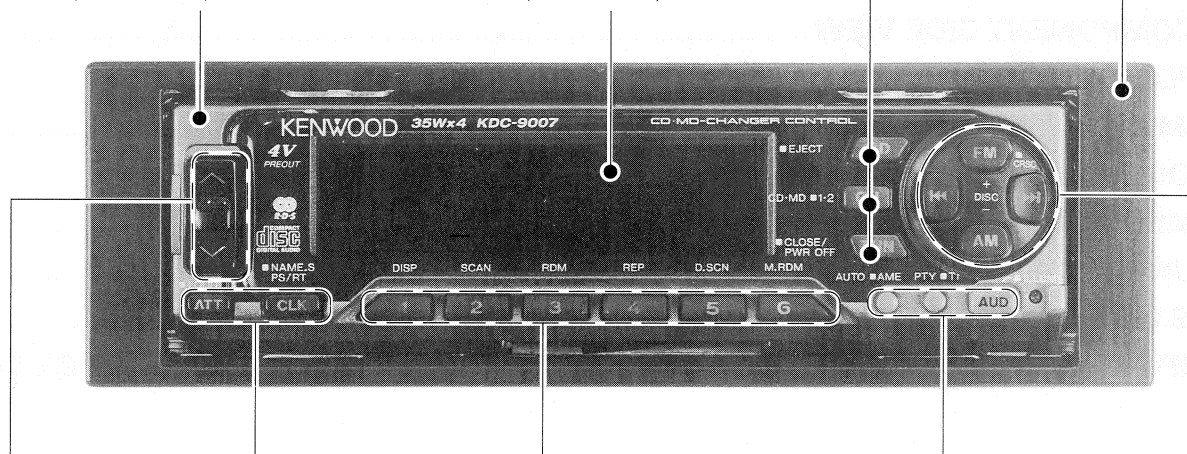
© 1997-2 PRINTED IN JAPAN
B51-7128-00 (N) 3610

Panel ass'y
(A64-1041-02) : K
(A64-1043-02) : K2
(A64-1044-02) : M1
(A64-1046-02) : M3
(A64-1048-02) : E2

Front glass
(B10-1753-01) : K
(B10-1755-01) : K2
(B10-1756-01) : M1
(B10-1758-01) : M3
(B10-1760-01) : E2

Knob (MODE)
(K25-0798-03)

Escutcheon
(B07-2087-12)



Knob (VOL.)
(K25-0794-03)

Knob (ATT)
(K25-0799-03)

Knob (1, 2, 3, 4, 5, 6)
(K25-0795-03)

Knob (AUD)
(K25-0797-03) : K
(K25-0803-03) : K2, M1, M3, E2

Knob (FM, AM)
(K25-0796-13)

Mounting hardware ass'y
(J21-7630-33)

Remote controller ass'y
(A70-0860-05)

Lever
(D10-4067-04)

Stay
(J54-0606-04)

Screw set
(N99-1622-05)

Cord with plug (ANT)
(E30-4452-05)

Bracket
(J19-4720-04) : K, K2, M1, M3
(J19-4721-04) : K, K2, M1, M3

DC cord
(E30-4436-05) : K, K2
(E30-4437-05) : M1, M3
(E30-4439-05) : E2

Escutcheon
(B07-2096-02) : K, K2, M1, M3

**Extension cord for service
(W05-0618-00) 22P**

Photo is KDC-9007.

K=KDC-9007, M1=KDC-9008, K2=KDC-7007
M3=KDC-7008, E2=KDC-7050R

CONTENTS

BLOCK DIAGRAM	
MECHANISM	3
UNIT	4
CIRCUIT DESCRIPTION	5
MECHANISM OPERATION DESCRIPTION	7
ADJUSTMENT	18
PC BOARD	
COMPONENT SIDE VIEW	19
FOIL SIDE VIEW	22
SCHEMATIC DIAGRAM	25
EXPLODED VIEW	
MECHANISM	33
UNIT	34
PARTS LIST	35
SPECIFICATIONS	BACK COVER

CIRCUIT DESCRIPTION

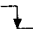

Microprocessor : μ PD178016GC (IC1, X25-)

Terminal description

No.	Pin name	I/O	Port name	Function	Active
1	ANI0	I	NOISE	FM noise detection analog input.	
2	ANI1	I	SMETER	FM S-meter detection analog input.	
3	ANI2	I	VALET (K, M)	Valet/demonstration input.	< 1V : Valet, > 4V : Demonstration
			PHONE (E)	Phone/Navigation muting input.	< 1V : Phone, > 4V : Navigation muting
4	P13	I	SRM SW1	Position detection input 1 from SRM.	"H" : ON
5	P14	O	MOTOR	Motor control output.	"H" : Loading, "L" : Eject
6	P15	I/O	LO/EJ	Loading/Ejection switching output.	"L" : Loading, "H" : Eject, Input : Stop
7	SI1	I	L DATAL	Data input from LCD driver.	
8	SO1	O	L DATAS	Data output to LCD driver.	
9	SCK1	O	L CLK	Clock output to LCD driver.	
10	P23	O	L CE	CE output to LCD driver.	
11	P24	O	L INH	Reset output to LCD driver.	"L" : RESET
12	SI0	I	DATA C	Data input from changer.	
13	SO0	O	DATA H	Data output to changer.	
14	SCK0	I	CH CLK	Clock input from changer.	
15	P132	O	M CS	Handshake request to CD mechanism controller.	"L" : Requested
16	P33	O	NC	Not used.	
17	P33	O	IFC	AM IF count control output.	"L" : ON
18	P40	I	CD SW1	Loading detection switch.	"L" : ON
19	P41	I	CD SW2	12cm disc detection switch.	"L" : 12cm disc ON
20	P42	I	CD SW3	Down and Limit switch.	"L" : Chucking
21	GND	-	GND	GND.	
22	VDD	-	VDD	5V.	
23	P43	I	QUAL	RDS reception quality.	
24	P44	I	R DATA	RDS data input.	
25	P45	I	NC	Not used.	
26	P46	I	NC	Not used.	
27	P47	I	FM MUTE	Band muting detection input.	"L" : Station detected
28	AMIFC	-	AM IFC	AM IF count input.	
29	FMIFC	-	FM IFC	FM IF count input.	
30	VDDPLL	-	VDD	5V.	
31	VCOH	-	FM IN	FM OSC input.	
32	VCOL	-	AM IN	AM OSC input.	
33	GNDPLL	-	GND	GND.	
34	EO0	-	EO0	PLL error output 0.	
35	EO1	-	EO1	PLL error output 1.	
36	IC (VPP)	-	VPP	GND.	
37	P50	O	LPF (E)	Low-pass filter switching output.	"L" : ON
38	P51	O	AFC	AFC output.	"L" : ON
39	P52	O	SRM SUB-	Storage motor driver control terminal.	
40	P53	O	SRM SUB+	Storage motor driver control terminal.	

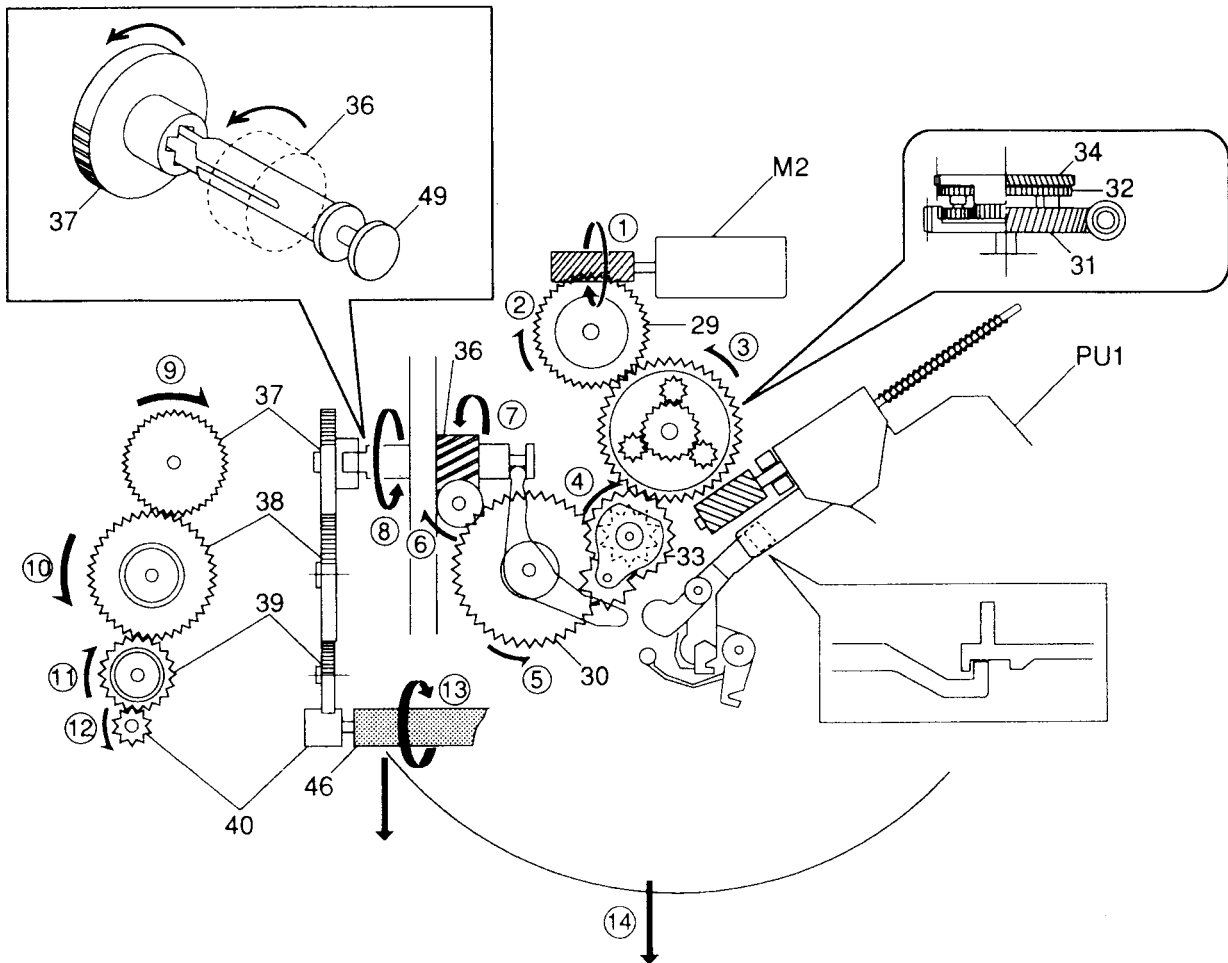
KDC-9007/7050R

CIRCUIT DESCRIPTION

No.	Pin name	I/O	Port name	Function	Active
41	P54	I	AF SD	AM station detection input.	"H" : Sation detected
42	P55	O	ANT CONT	Antenna control output.	"H" : ON
			LOCAL (E)	Local output.	"H" : ON
43	P56	O	FM+B	FM power supply output.	"H" : ON
44	P57	O	AM+B	AM power supply output.	"H" : ON
45	P60	O	SCK	Clock output to electronic volume.	
46	P61	I/O	SDA	Data input/output to/from electronic volume.	
47	P62	O	MUTE	Muting output.	"H" : Mute ON
48	P63	O	CRSC (K, M)	CRSC output.	"H" : ON
			AF MUTE (E)	AF muting output.	"L" : ON
49	P64	O	P STBY	Power amp standby output.	"H" : ON
50	P65	I	ACC	ACC detection input.	"L" : ON
51	P66	I	BU DET	Momentary power-down detection input.	"H" : Power-down
52	P67	O	TEST	High temperature protection circuit operation inhibition output.	"H" : Test mode
53	P30	O	P CON	Power control output.	"H" : ON
54	P31	O	P ON	μ-com and surrounding power control output.	"H" : ON
55	P32	O	ILL ON	Illumination output.	"H" : Lit
56	P33	O	CH CON2	Changer 2 control output.	"H" : CH2 ON
57	P34	O	CH CON1	Changer 1 control output.	"H" : CH1 ON
58	P35	O	REQ H	Handshake request to changers.	"L" : Request
59	BUZ	O	BEEP	Beep output.	
60	P37	I	E2DTI	Data input from E2PROM.	
61	P120	O	E2CE	CS output to E2PROM.	
62	P121	O	MCLK/E2CK	Clock output to CD mechanism controller/E2PROM.	
63	P122	I	DATA M	Data input from CD mechanism controller.	
64	P123	O	DATA S/E2DIO	Data output to CD mechanism controller.	
65	P124	I	SRM SW2	Position detection input 2 from SRM.	"L" : ON
66	P125	I	SRM DET	Storage mechanism detection.	"L" : SRM detected
67	INTP0	I	REMO	Remote control signal input.	 : Request
68	INTP1	I	R CLK	RDS clock input.	
69	INTP2	I	REQ C	Handshake request from changer.	"L" : Request
70	INTP3	O	M RST	Reset output to CD mechanism controller.	"L" : Reset
71	P04	I	M MUTE	Muting request from CD mechanism controller.	"L" : Request
72	P05	I	M SRQ	Handshake request from CD mechanism controller.	 : Request
73	P06	O	M STOP	Stop request to CD mechanism controller.	"L" : Request
74	CPUREQ	-	VDD	5V.	
75	GND	-	GND	GND.	
76	X2	-	X2	X'tal oscillator connection.	
77	X1	-	X1	X'tal oscillator connection.	
78	OSCREG	-	VDD	Oscillator power supply.	
79	VDD	-	VDD	Power voltage application terminal.	
80	RESET	-	RESET	Reset input.	

MECHANISM OPERATION DESCRIPTION

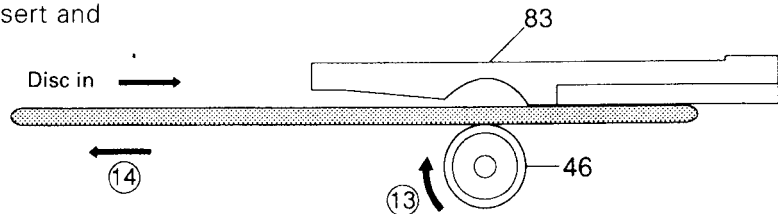
1. Disc out



(Bottom view)

The motor turn at first ①. The motor will triggers the other gearS (29, 31, 33...40) to turn at the direction indicated. Finally the roller will move the disc out ⑭.

- The roller press the disc ⑬ when disc insert and take out time.



KDC-9007/7050R

MECHANISM OPERATION DESCRIPTION

2. Disc in

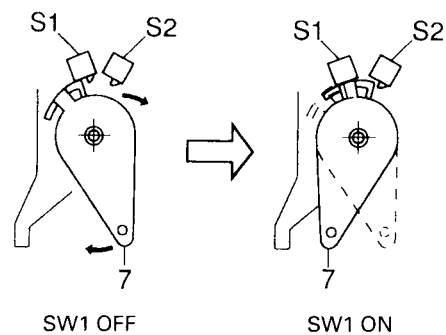
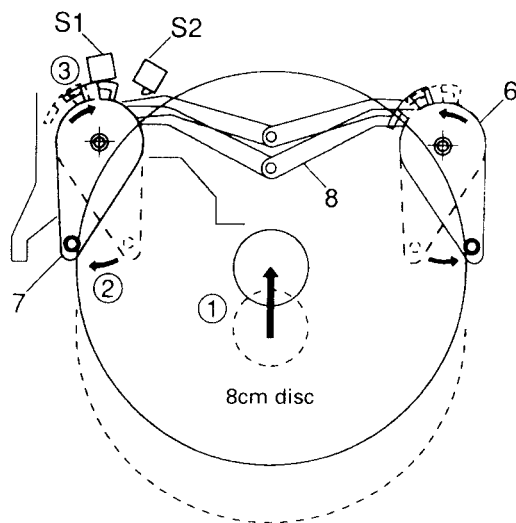
2-1. Roller movement (Disc detection)

Insert disc ①, the disc will push the guide pin ② of disc arm (6) and (7). Disc arm (7) in turn, will switch on the disc detection switch ③. The motor will turn when switch on, and triggered other gears to turn (refer to

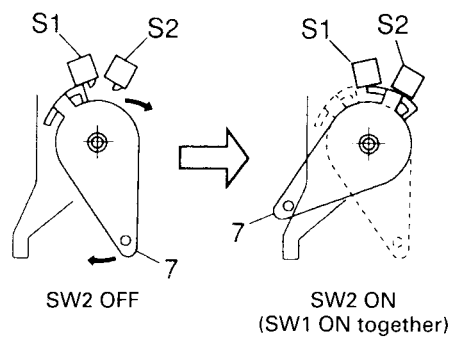
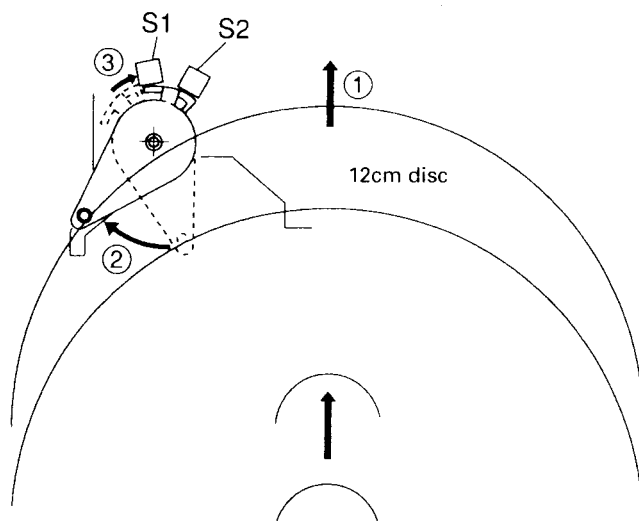
figure "1. Disc out"). Roller will turn toward "disc in" detection.

- Insert the 8cm disc, so the discarm (7) will push the S1.
- Insert the 12cm disc, so the disc arm (7) will push the S1 and S2 together.

• SW1 : detection of 8cm disc



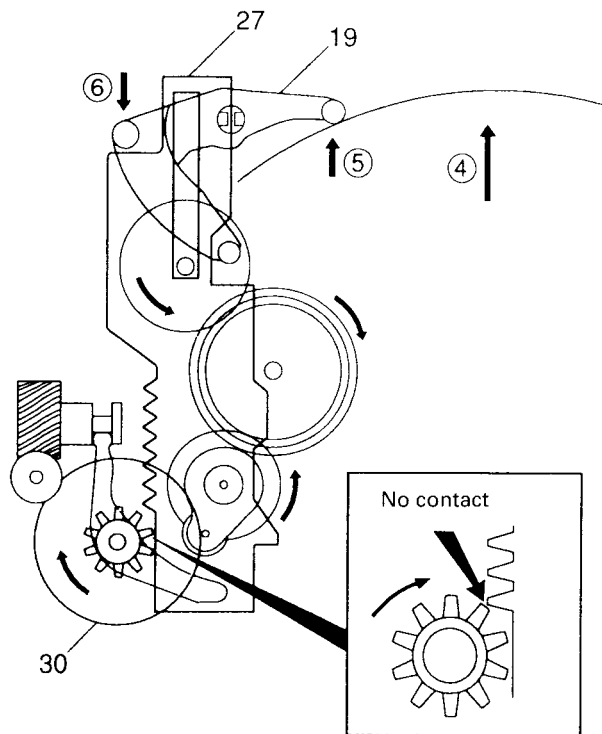
• SW1 : detection of 12cm disc



MECHANISM OPERATION DESCRIPTION

2-2. Push the lever

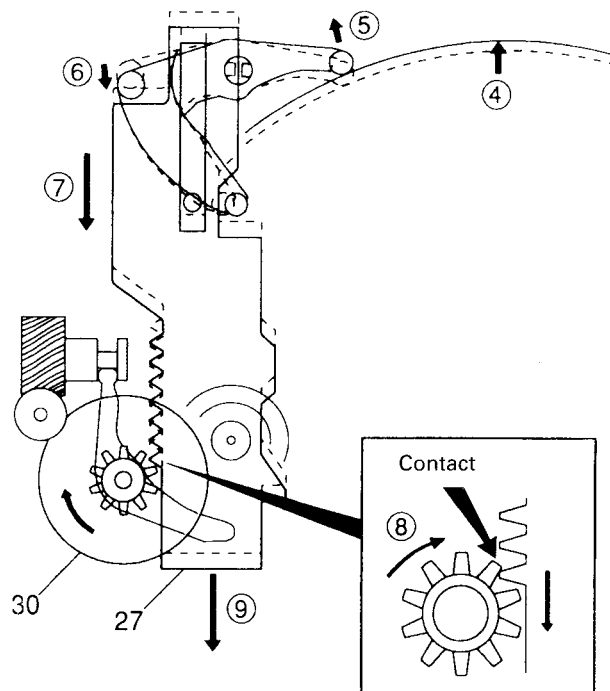
When disc insert to the end position ④, it will push away the lever pin ⑤. The lever (19) in turn, will push the Slider (27) by lever pin ⑥.



(Bottom side view)

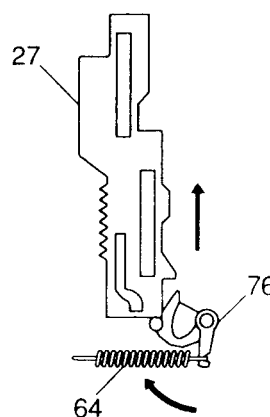
2-3. Slider movement

When slider push in ⑦, the rack gear of slider (27) will contact to helical gear (30) ⑧. Then two gears will move together ⑨.



- **Slider position of no disc condition**

Slider gear is off contact with helical gear (30) pushing by the Holder (76)'s spring (64) force. Rack gear of slider contact to helical gear (30) when the slider push by the lever (27).



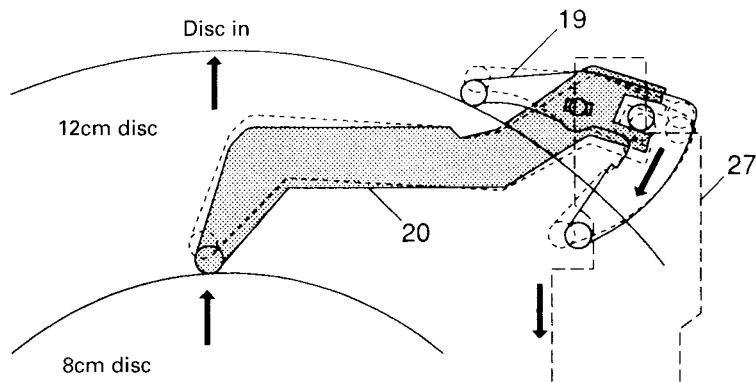
(Bottom view)

KDC-9007/7050R

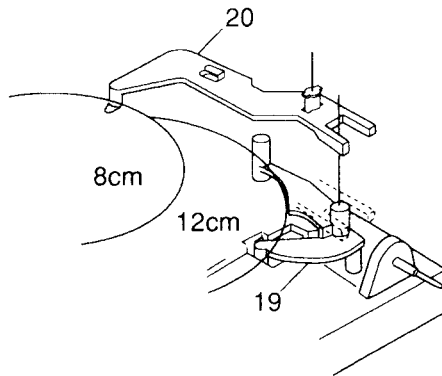
MECHANISM OPERATION DESCRIPTION

2-4. Structure of disc push the lever and slider movement

The Lever (20) is jointed to the lever (19).

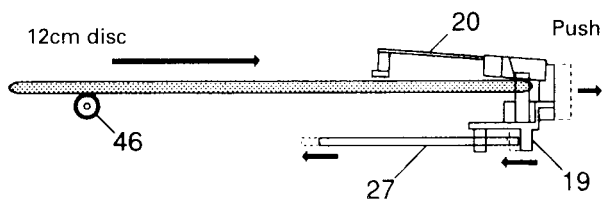


Condition of jointed Lever (20) and (19)

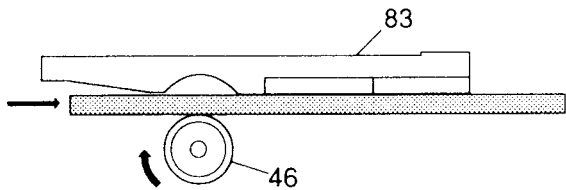


• 12cm disc

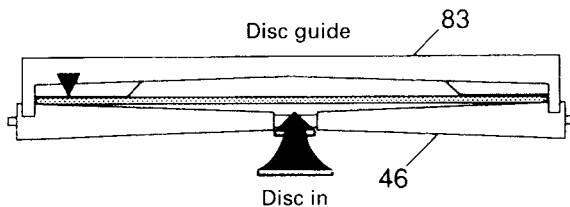
The disc will push the Lever (19). Pin of Lever (19) will push the Slider (27).



Disc guide's face support the disc when inserting.



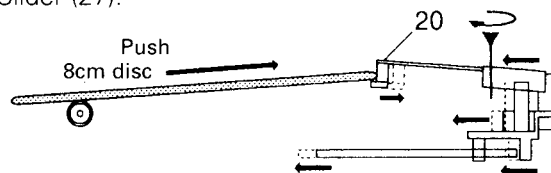
(Front view)



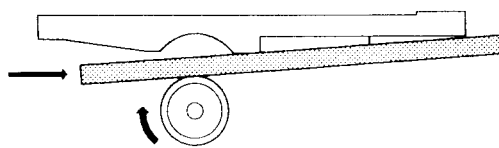
▼ ...disc touching the face

• 8cm disc

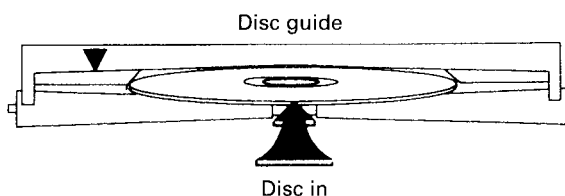
The disc will push the Lever (20). The Lever (19) will turn with the Lever (20). Pin of Lever (19) will push the Slider (27).



Disc guide's face support the disc when inserting.



(Front view)



▼ ...disc touching the face

MECHANISM OPERATION DESCRIPTION

3. Functions of slider movement

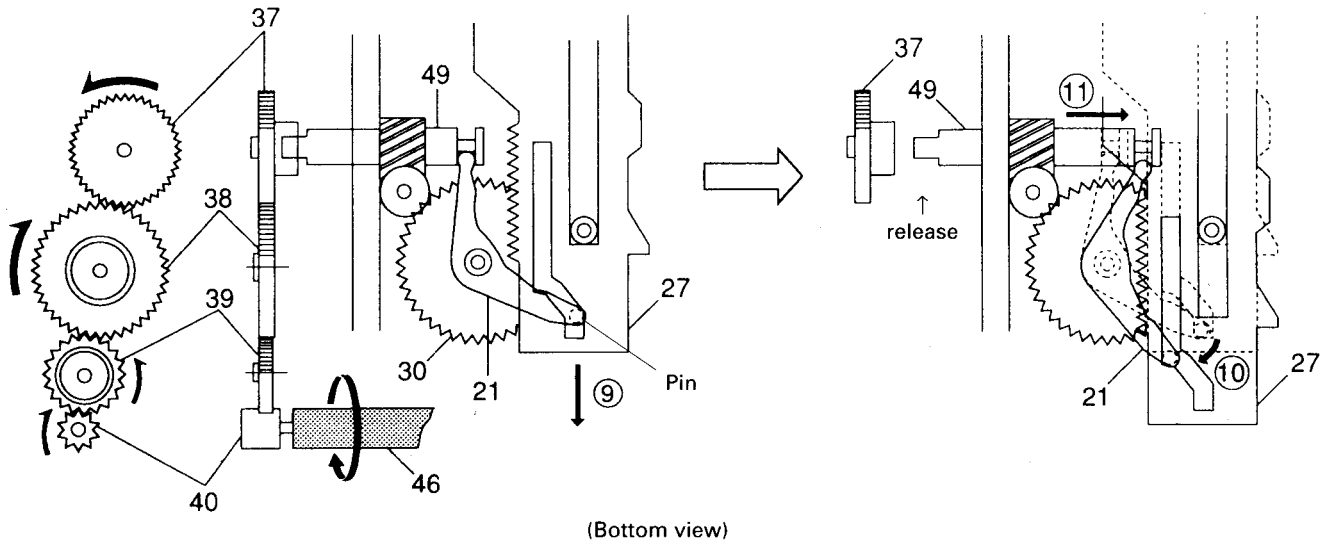
3-1. Stop the roller turning

(Slider move after the disc insert)

The roller (46) will turn toward disc in or out direction with jointed gears and joint shaft (49) by the motor.

The roller turning will stop when joint shaft is off gear (37).

1. The Lever (21)'s pin joint with the groove of the slider (27).
2. Slider (27) will be move ⑨, after disc insert.
3. The Lever (21) will move together slider ⑩.
4. The joint shaft (49) will move together lever movement ⑪.
5. The joint shaft (49) become off gear (37).
6. Gear (37) will stop, so roller (46) will stop too.



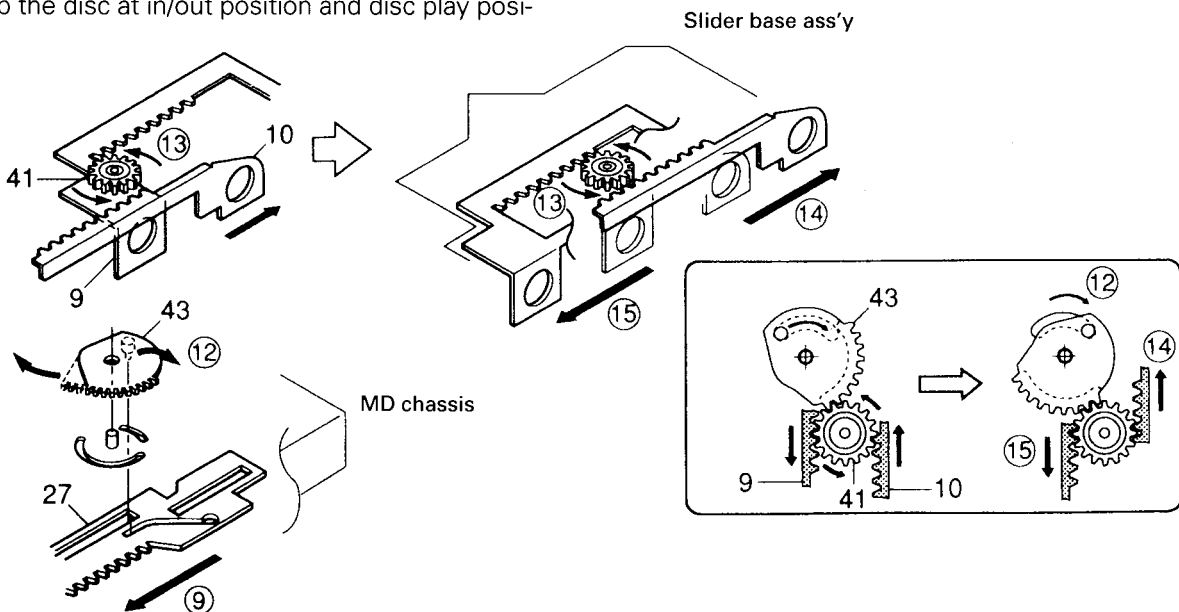
3-2. Mechanism of Slider base ass'y

Slider base ass'y have 3 types of functions when slide lock gear is moved.

1. MD-ass'y clamp and release.
To keep the disc at insert (and eject) position and disc play position.
2. Clamper Chassis up and down.
To clamp or release the disc.
3. Roller ass'y up and down.
To keep the disc at in/out position and disc play position.

• Basic movement of Slider base ass'y

Pin of Fan-gear (43) is joint to the slider. Fan-gear will turn ⑫, when slider move ⑨. Jointed center gear (41) will turn with Fan-gear ⑬. Jointed slide lock gear (9, 10) move with center gear ⑭, ⑮.



KDC-9007/7050R

MECHANISM OPERATION DESCRIPTION

3-3. Connection of Slider movement with LOCK PIN

(Jointing condition of MD-Chassis ass'y and Main-Chassis ass'y)

• This mechanism have 2 main components

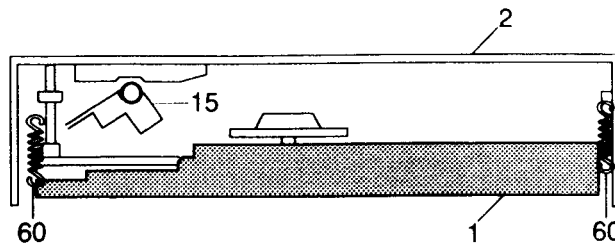
MD Chassis ass'y (1)

This unit have many gears and motor for basic movement, and Optical pick-up ass'y for pick up of the disc signal.

Main Chassis ass'y (2)

This unit consist of metal body frame and Roller ass'y for disc insert and eject movement.

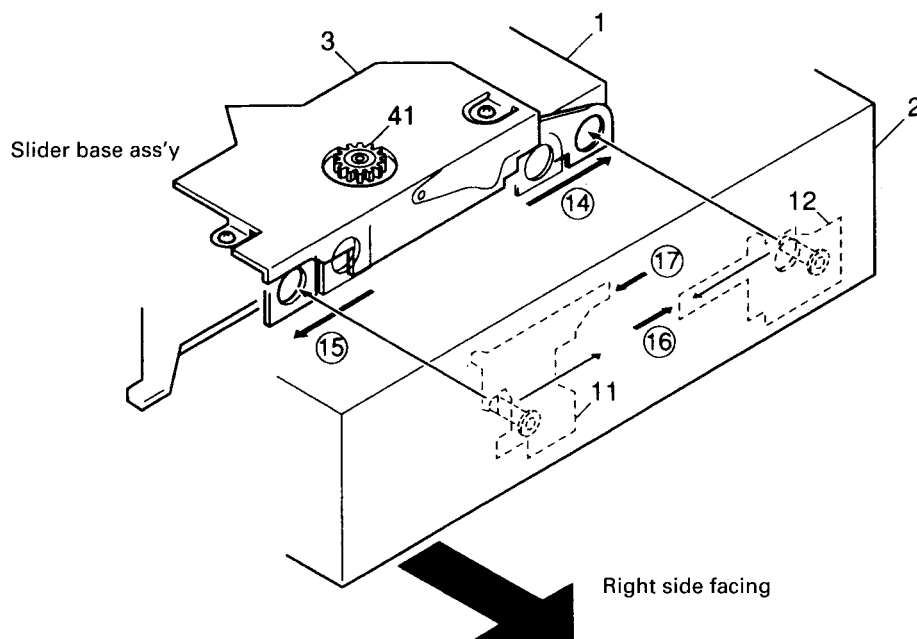
MD Chassis ass'y (1) was hung by spring (60) of Main Chassis ass'y (2).



• Slider base ass'y was assembled in MD Chassis

Lock plate (11, 12) was assembled in Main Chassis. Pin of lock plate will joint to the hole of slide lock gear, and it move with the slide lock gear (14), (15).

*At both side of Main Chassis have lock plate unit (16), (17). Left side lock plate unit move together with the right side through joined roller ass'y (15).



MECHANISM OPERATION DESCRIPTION

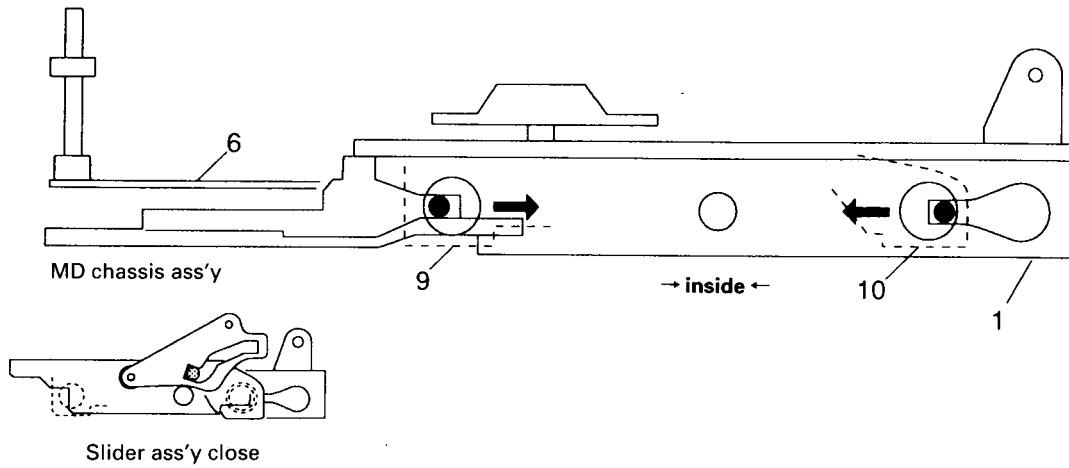
3-4. MD Chassis hold and release

Roller will move the disc toward insert or eject direction by roller turning. MD Chassis ass'y (6) and Main Chassis ass'y (1) must lock for the disc passage fix.

When disc in play back condition, disc can not play by vibration of car running if MD Chassis is locked. Therefore there is need for MD Chassis to release from Main Chassis for guard of vibration (condition of support the spring tension only).

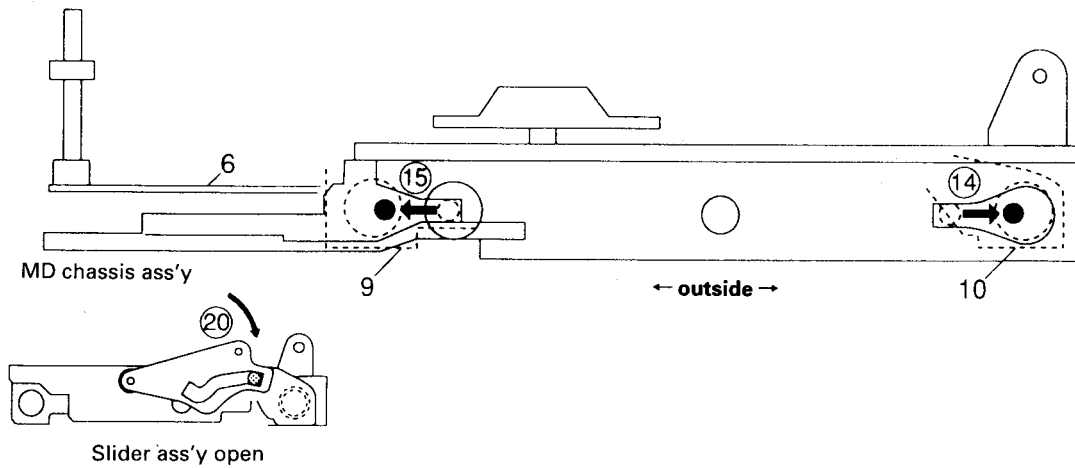
• MD Chassis lock condition

The pin of lock plate is insert to the groove of MD Chassis at both side.



• MD Chassis release condition

MD Chassis is in free condition when pin is remove to outside (14), (15).

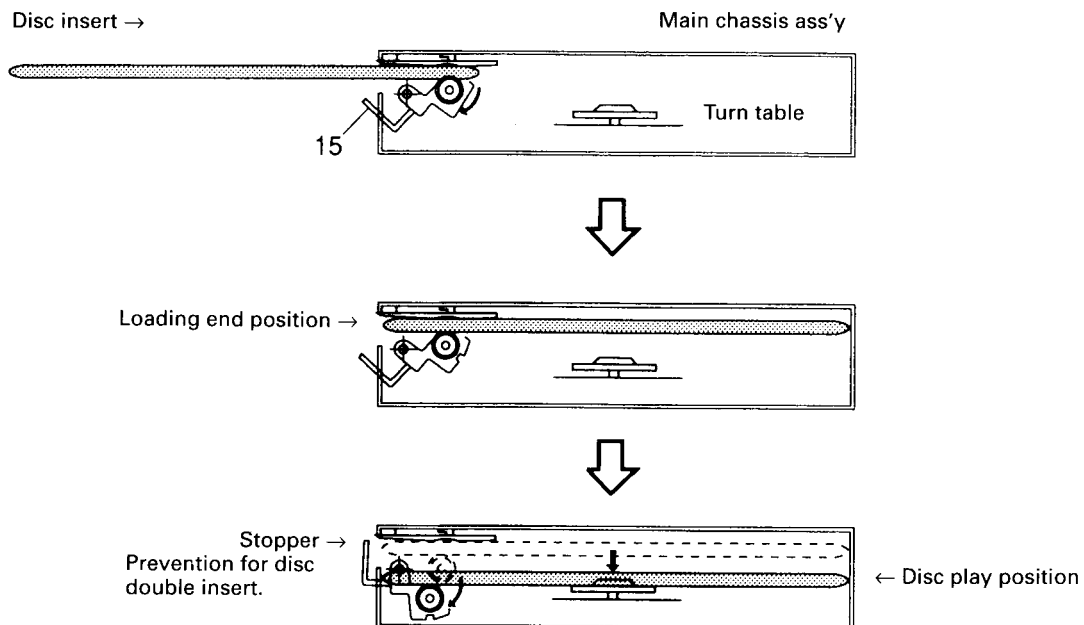


KDC-9007/7050R

MECHANISM OPERATION DESCRIPTION

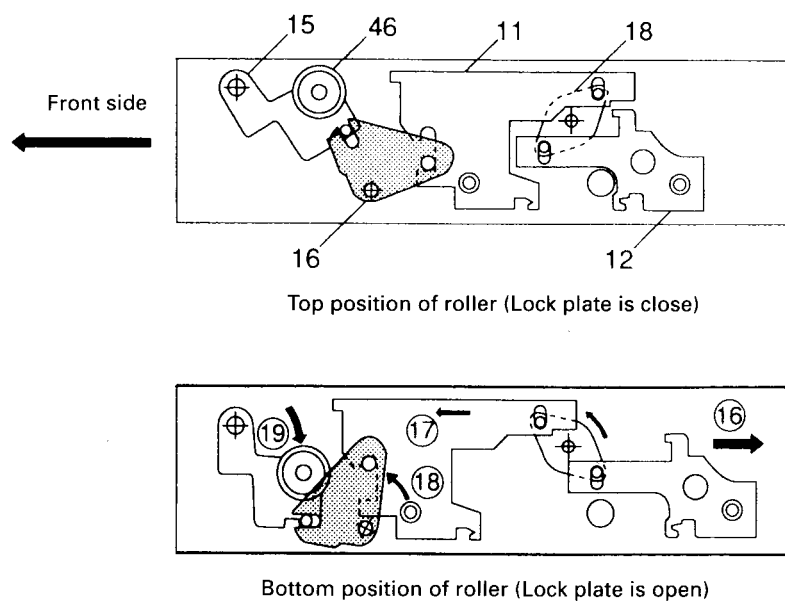
3-5. Movement of Roller ass'y

Roller (46) will stop turning when disc is inserted. Roller ass'y (15) will move to down side for the disc to sit onto the Turn Table. Roller ass'y will move to upper side in order to catch the disc when disc eject.



• Structure of roller ass'y movement

Roller ass'y (15) will move up and down with joined LINK (16) by lock plate's (11, 12) movement (16 ~ 19).

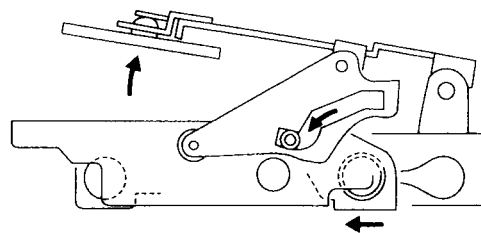
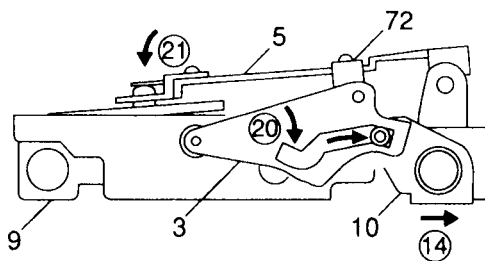
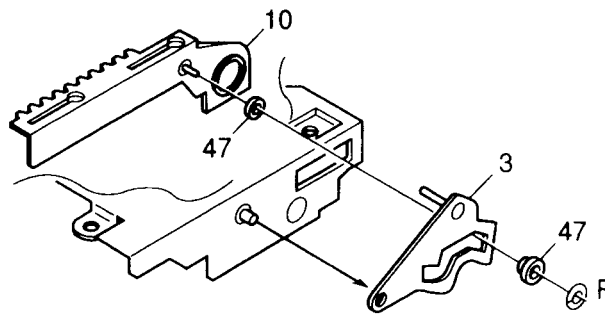
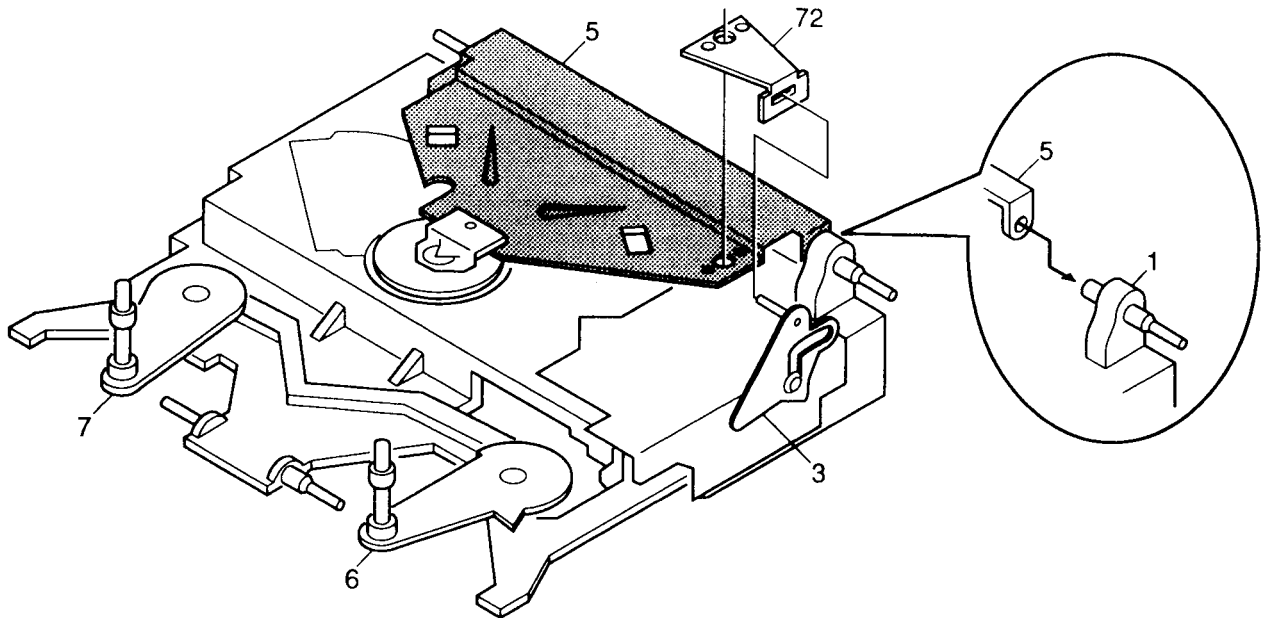


MECHANISM OPERATION DESCRIPTION

3-6. Movement of Clamper Chassis ass'y

Clamper must press down the disc when disc playing (21), and it must release during disc inserting and eject.

Clamper Chassis will connect with pin of arm ass'y in slider ass'y (3) by Flat plate (72) (20). Arm ass'y will join to slide lock gear (10). Clamper Chassis will move together slide lock gear.

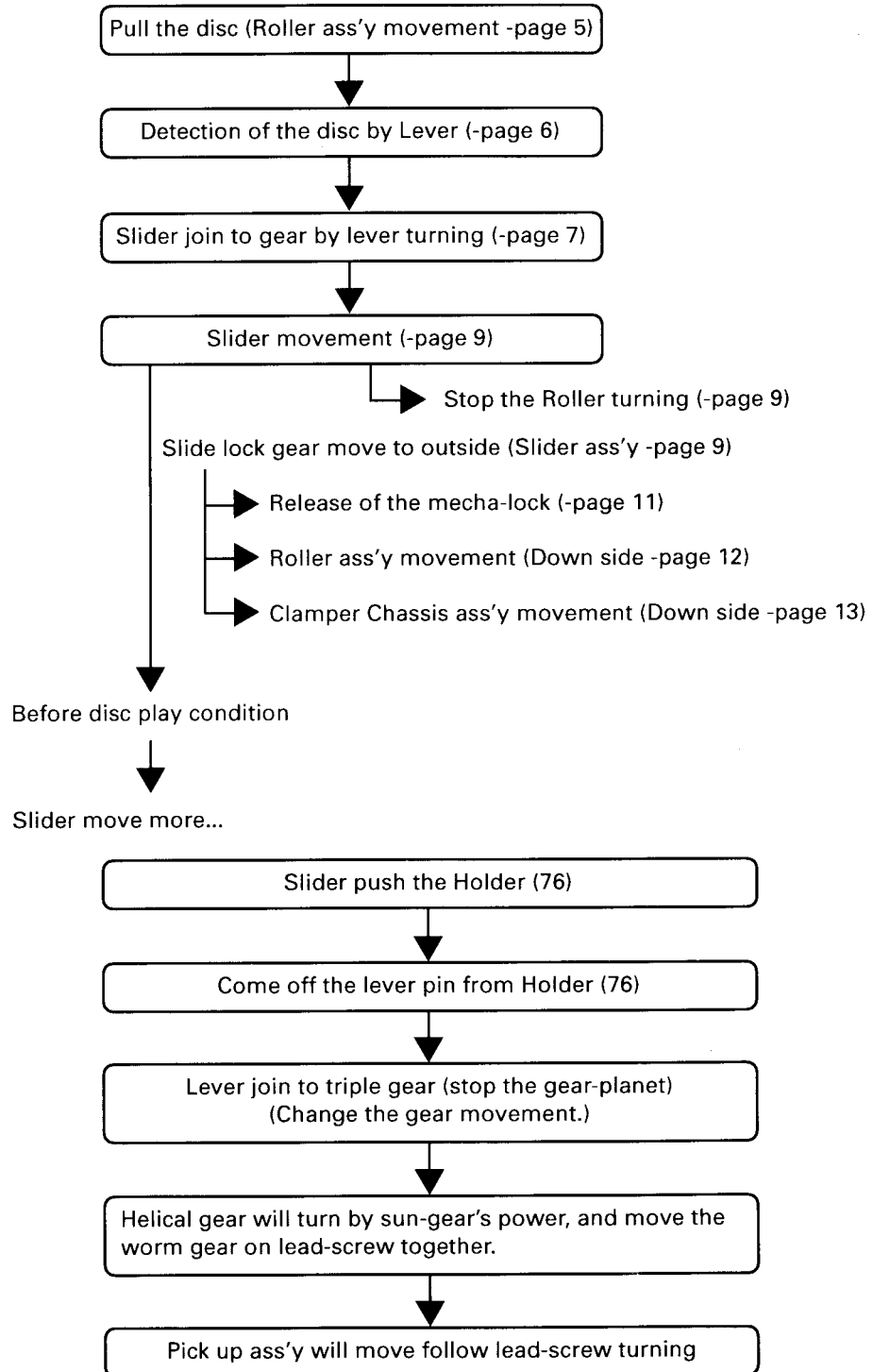


MECHANISM OPERATION DESCRIPTION

4. Slide movement of Pick-up ass'y

4-1. Flow chart for lead to Pick up ass'y movement

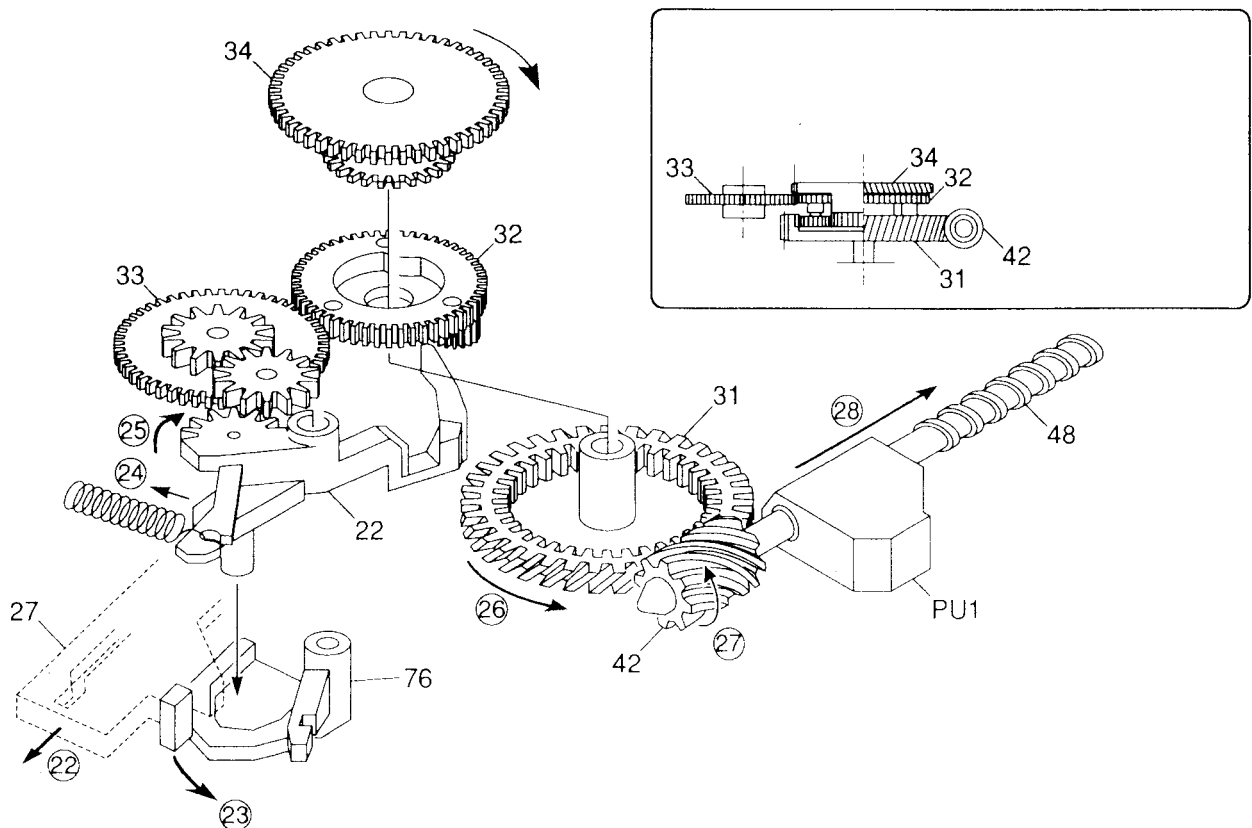
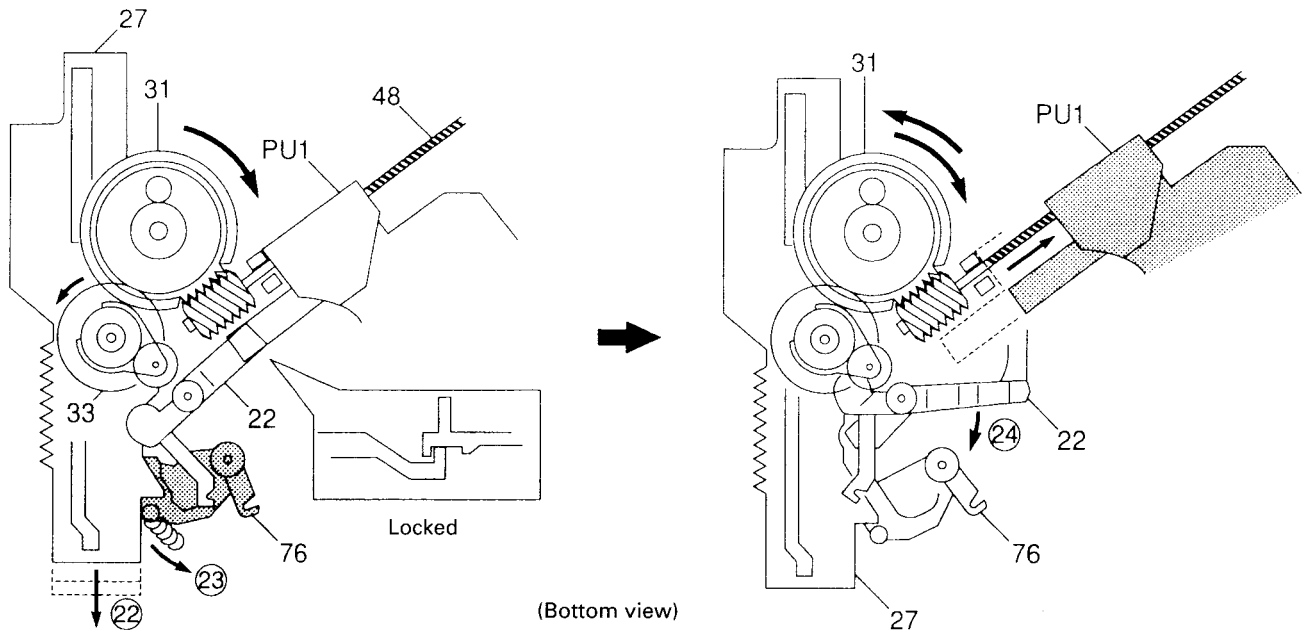
Flow



MECHANISM OPERATION DESCRIPTION

4-2. Illustration of Pick up ass'y movement

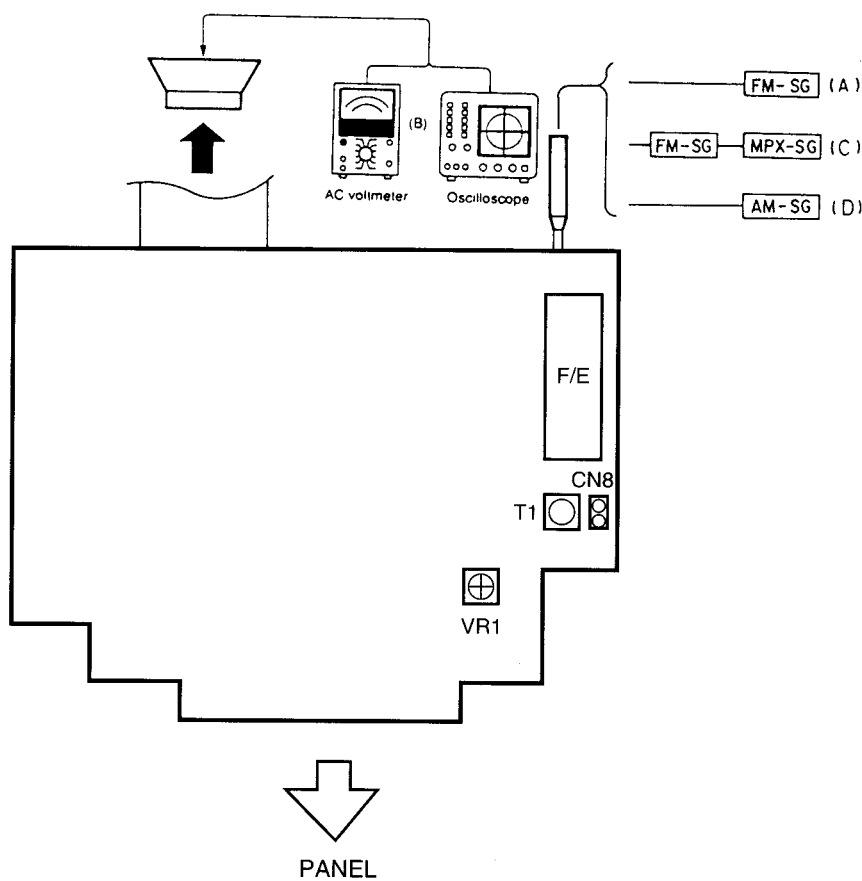
1. Slider push the holder (76) ②②, ②③.
2. The pin will release from holder ②④.
(Come off the lock between lever and Pick up ass'y.)
3. Lever join to triple gear. Triple gear and planet gear ass'y (32) will stop ②⑤.
4. Change the gear movement.
5. Helical gear (31) will turn ②⑥, and gear worm (42) will turn ②⑦.
6. Pickup ass'y (PU1) will move ②⑧.



ADJUSTMENT

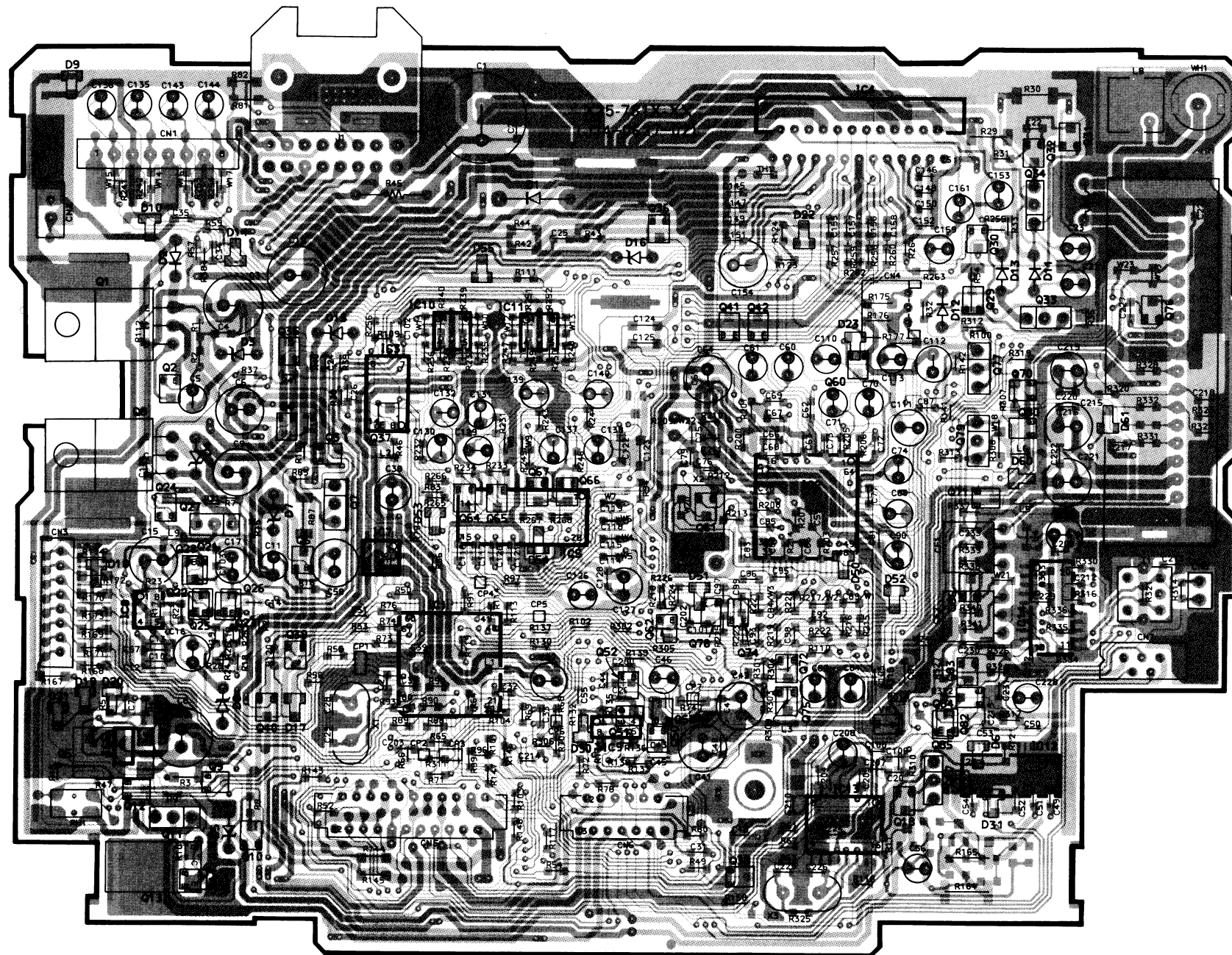
No.	ITEM	INPUT SETTING	OUTPUT SETTING	TUNER (RECEIVER)	ALIGNMENT POINTS	ALIGNING FOR	FIG.
FM section							
1	DISCRIMINATOR	(A) 98.1MHz 0dev 60dB μ (ANT input)	Connect a DC voltmeter to CN8.	FM 98.1MHz	T1	0V	(a)
2	ANRC	* (C) 98.1MHz 1kHz, \pm 67kHz dev Pilot : \pm 7.5kHz dev Selector : L or R 35dB μ (ANT input)	(B)	FM 98.1MHz	VR1	Separation 10dB	

*KDC-7050R (C)
98.1MHz
1kHz, \pm 40kHz dev
Pilot : \pm 6kHz dev



PC BOARD (COMPONENT SIDE VIEW)

ELECTRIC UNIT : X25-781X-XX
 (9007 : 0-11, 7007 : 0-12, 9008 : 0-21, 7008 : 0-23, 7050R : 2-72)



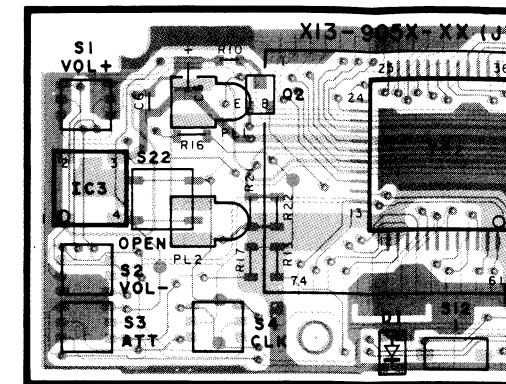
(X25-781X-XX)

IC	1	2	3	4	5	6	7	8	9	10	11	12	13	14
address	4C	4E	3C	2E	4D	5B	4C	4B	5D	3D	3D	5F	5E	4F

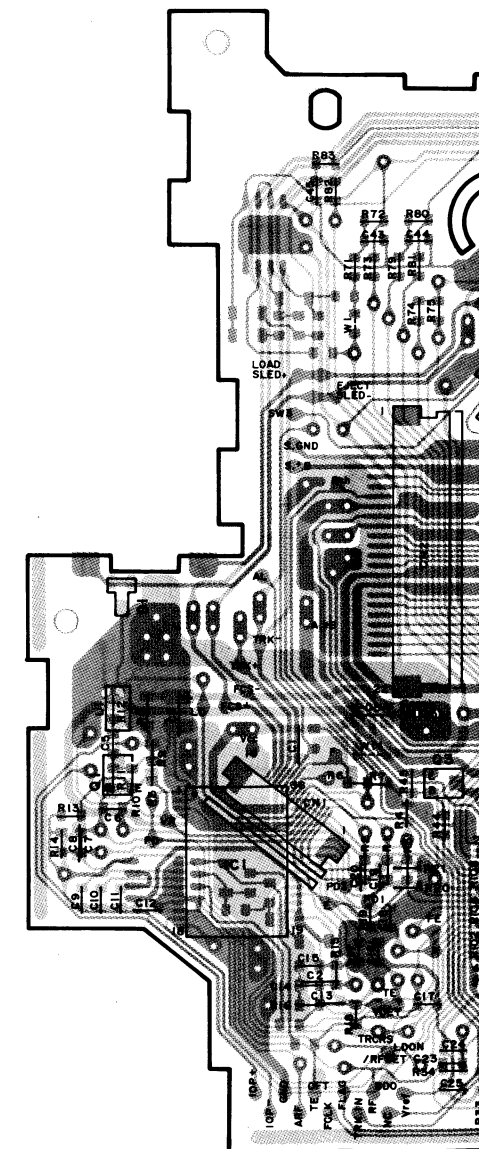
Q	1	2	3	4	5	6	7	8	9	10	11	12	13	14	17	18	21	22	23	24	25	26	27	28	29	30	31	32	33	34	35	36
address	3B	3B	3C	3C	5B	3C	4C	3B	5B	5C	5B	5B	5B	5B	5F	5F	4B	4B	4C	3B	4B	4C	4B	4B	3F	2F	2F	2F	3F	2F	3C	2E

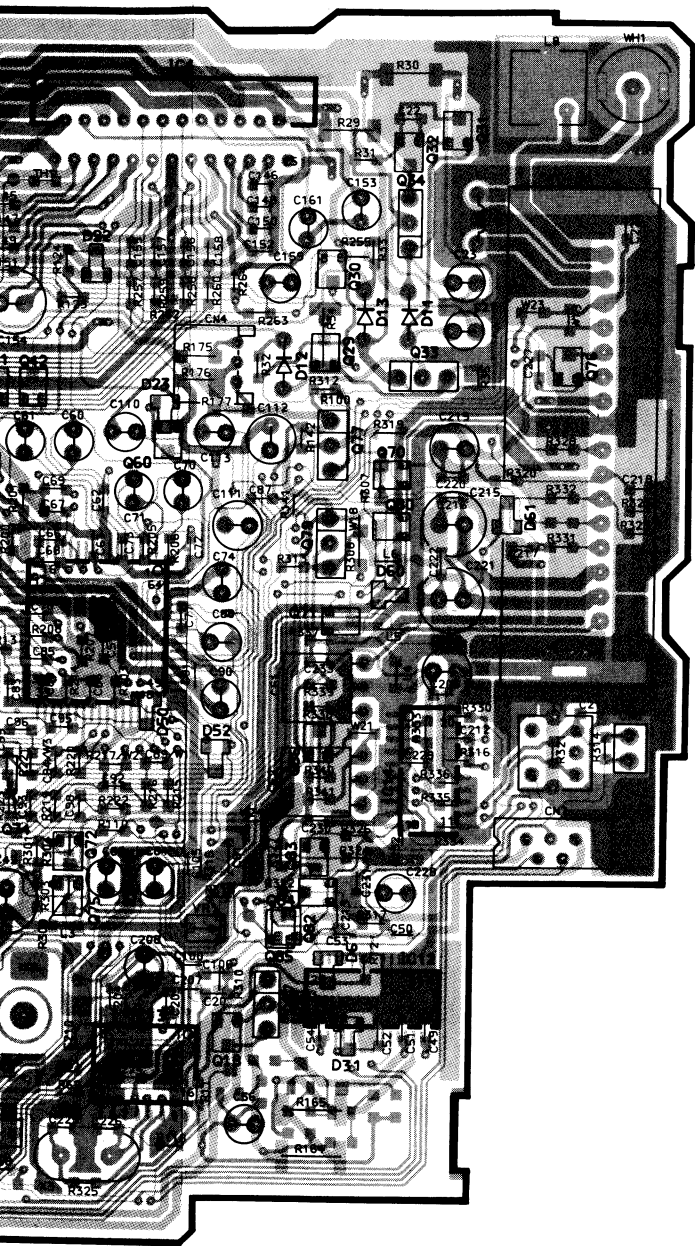
Q	37	38	39	40	41	42	50	51	52	53	60	61	62	64	65	66	67	70	71	72	74	75	76	77	78	79	80	82	83	84	85	86
address	3C	5E	4C	4C	3E	3E	5D	4D	4D	4E	3E	4E	4E	3D	3D	3D	3D	3F	3F	4E	4E	4E	3G	3F	4E	3F	3F	4F	4F	4F	4F	4F

SWITCH UNIT : X13-905X-XX (9007 : 0-11)



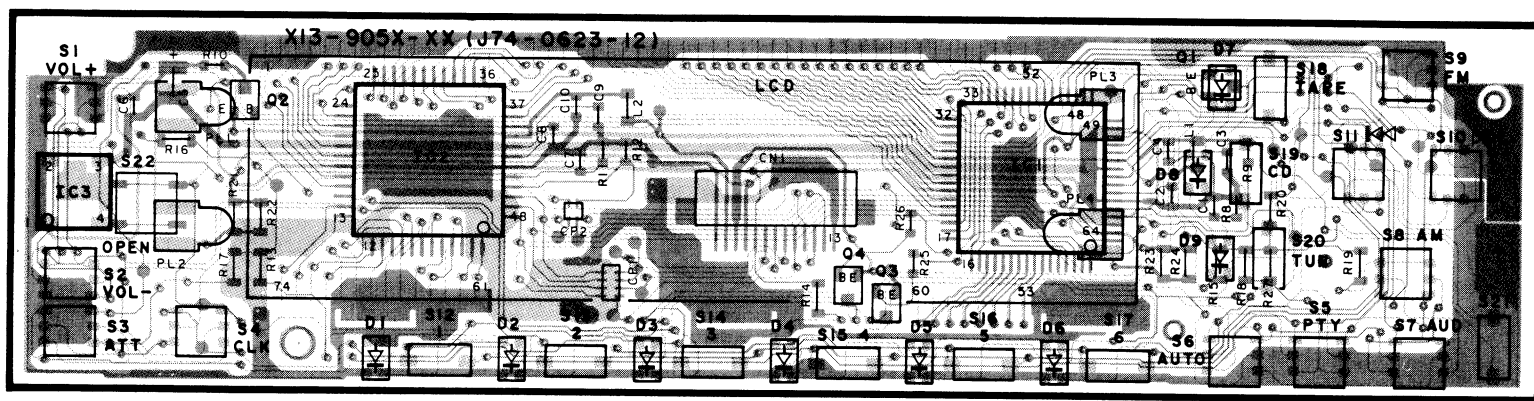
CD PLAYER UNIT : X32-4280-00



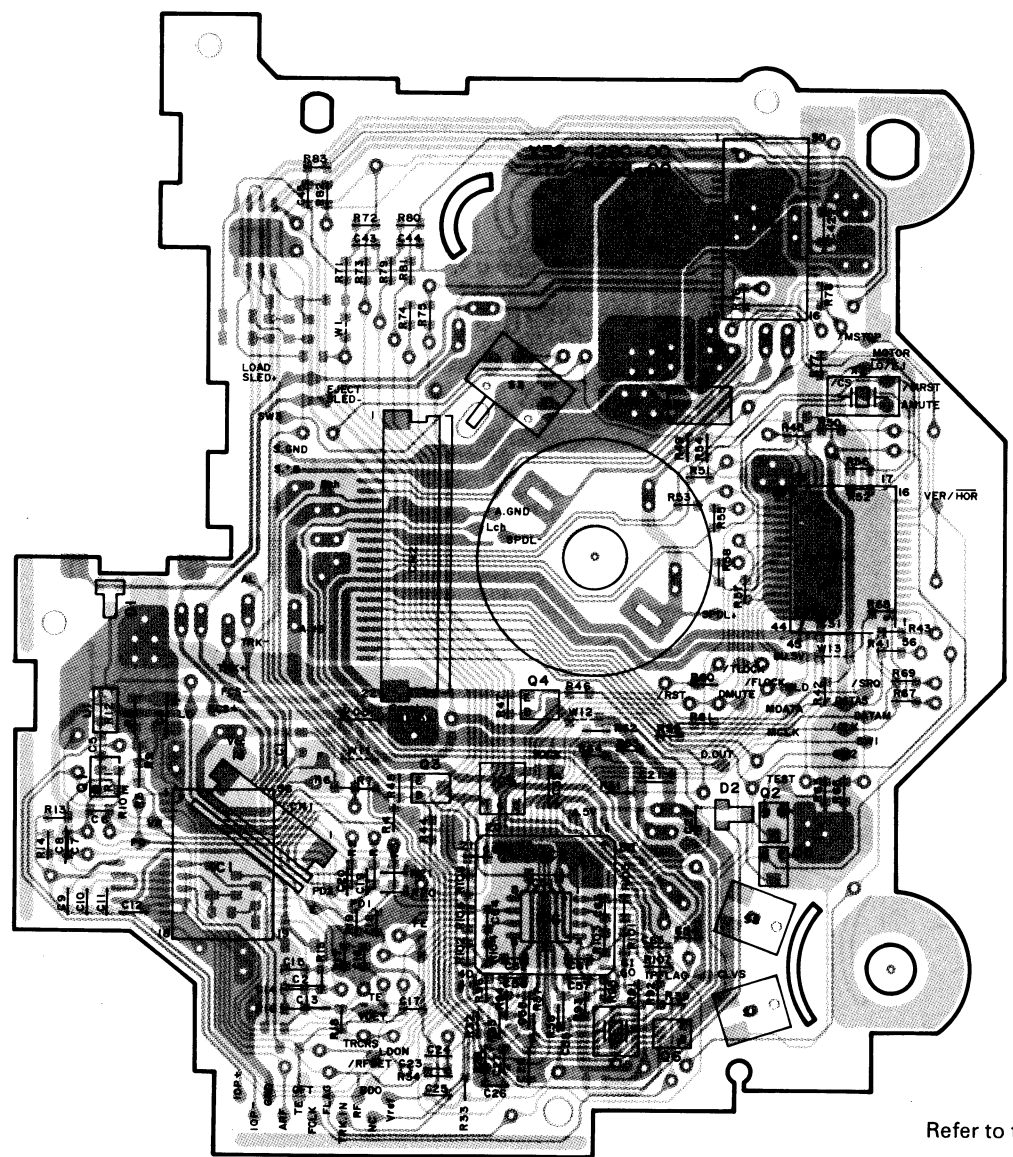


25	26	27	28	29	30	31	32	33	34	35	36
4B	4C	4B	4B	3F	2F	2F	2F	3F	2F	3C	2E
74	75	76	77	78	79	80	82	83	84	85	86
4E	4E	3G	3F	4E	3F	3F	4F	4F	4F	4F	4F

SWITCH UNIT : X13-905X-XX (9007 : 0-11, 9008/7007/7008/7050R : 2-70)



CD PLAYER UNIT : X32-4280-00



(X13-905X-XX)

IC	Q	address
1		2M
2		2K
3		2J
	1	2M
	2	2J
	3	2L
	4	2L

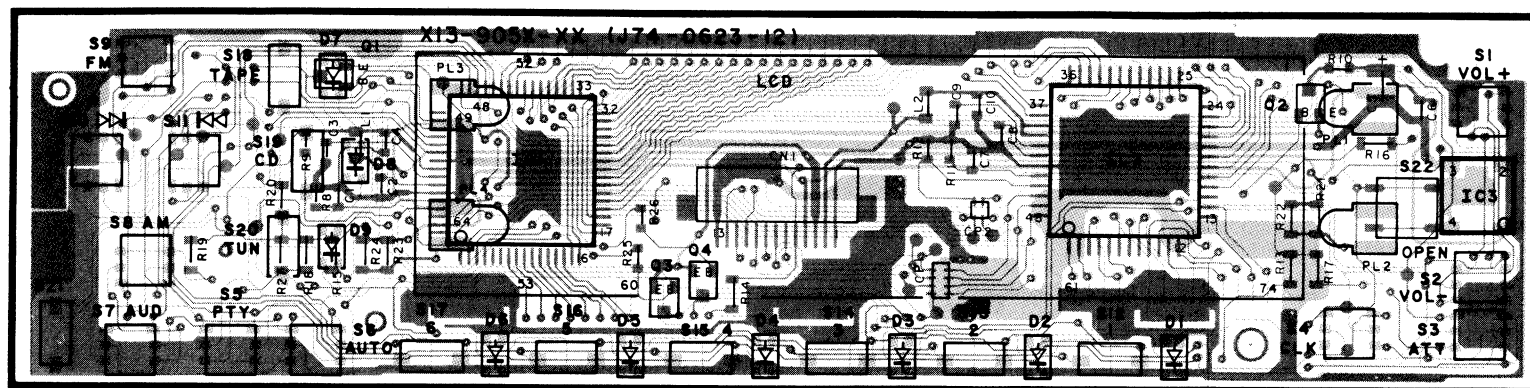
(X32-4280-00)

IC	Q	address
1		6J
2		6K
3		5L
4		4L
5		6K
6		6K
	1	6J
	2	6L
	3	6K
	5	6L
	6	7L

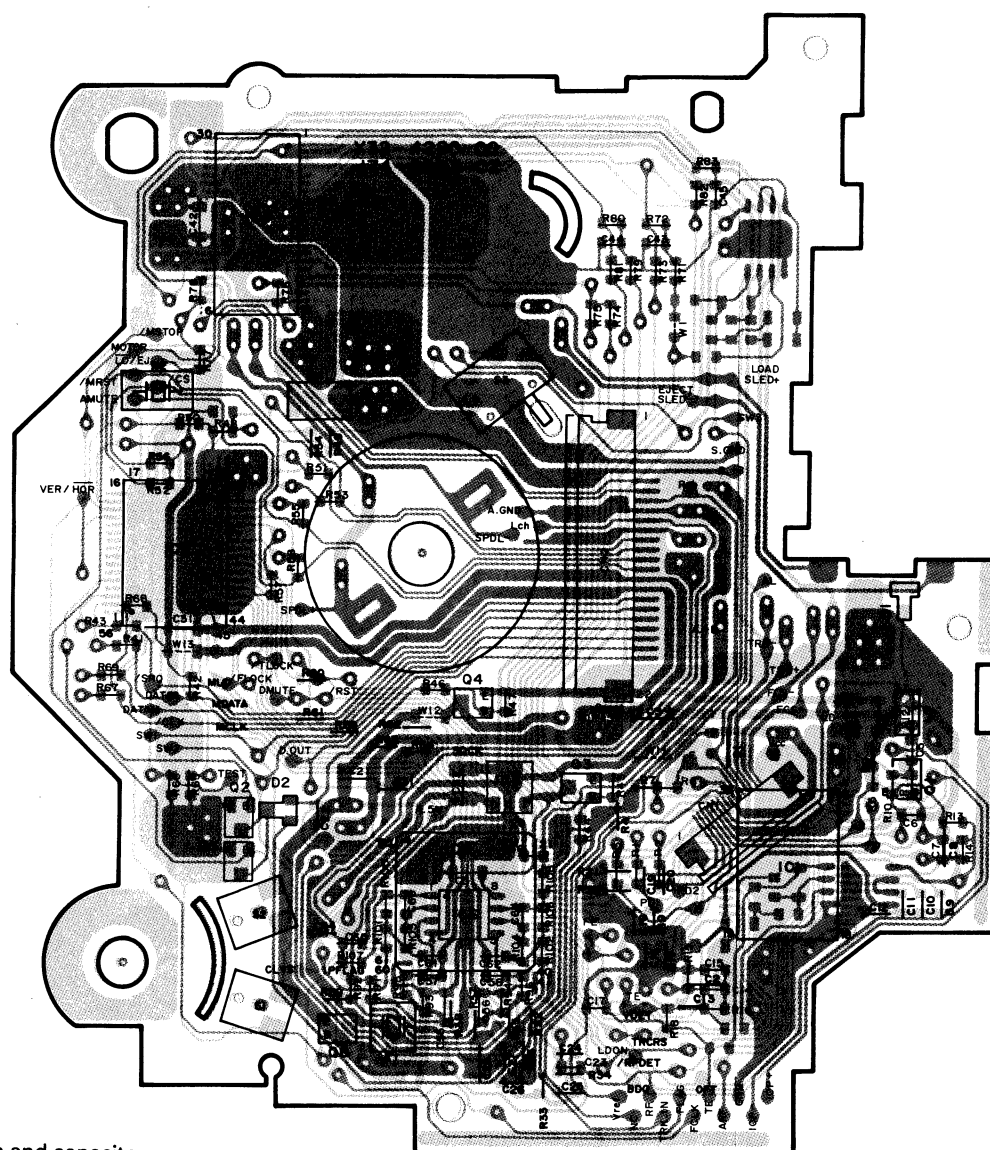
Refer to the schematic diagram for the values of resistors and capacitors.

PC BOARD (FOIL SIDE VIEW)

SWITCH UNIT : X13-905X-XX (9007 : 0-11, 9008/7007/7008/7050R : 2-70)



CD PLAYER UNIT : X32-4280-00



(X13-905X-XX)

IC	Q	address
1		2R
2		2T
3		2U
	1	2R
	2	2U
	3	2S
	4	2S

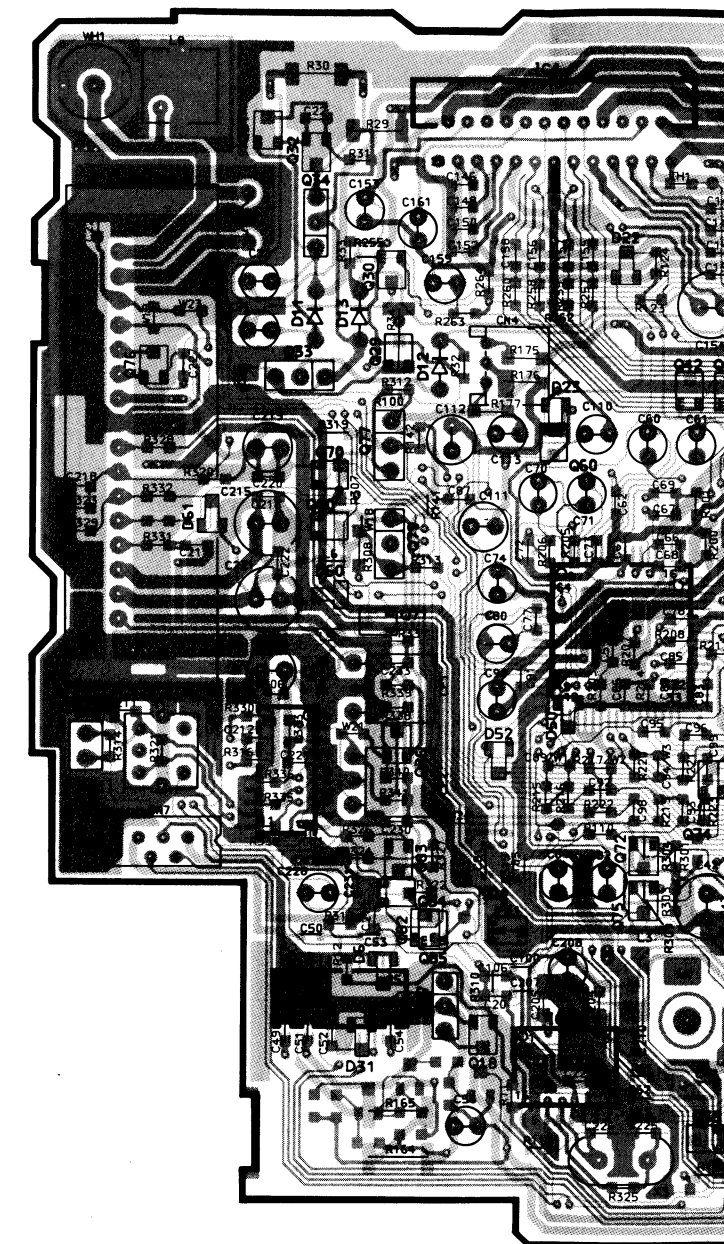
(X32-4280-00)

IC	Q	address
1		6U
2		6T
3		5S
4		4S
5		6T
6		6T
	1	6U
	2	6S
	3	6T
	5	6T
	6	7T

Refer to the schematic diagram for the values of resistors and capacitors.

ELECTRIC UNIT : X25-781X-XX

(9007 : 0-11, 7007 : 0-12, 9008 : 0-21, 7008 : 0-23, 7050R :

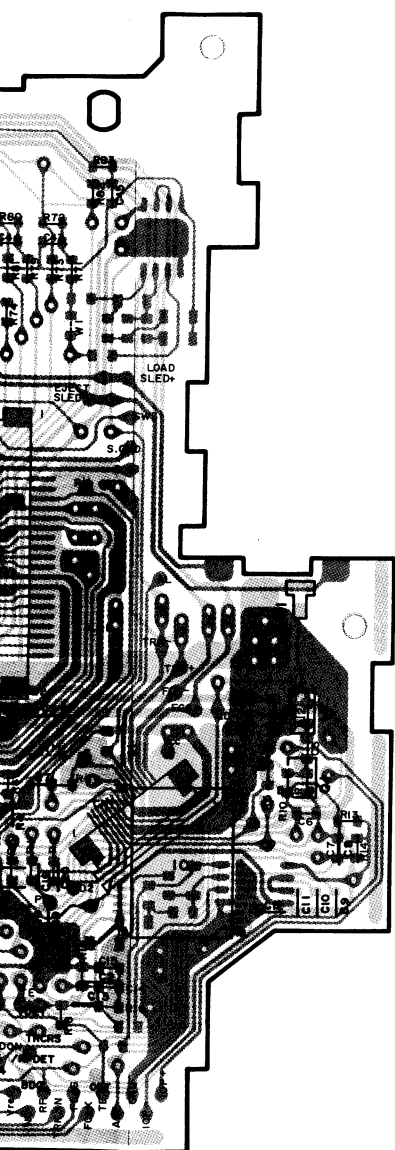
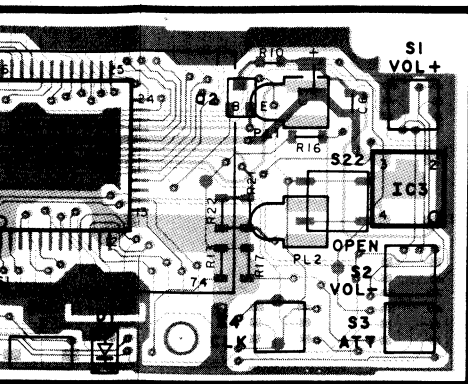


(X25-781X-XX)

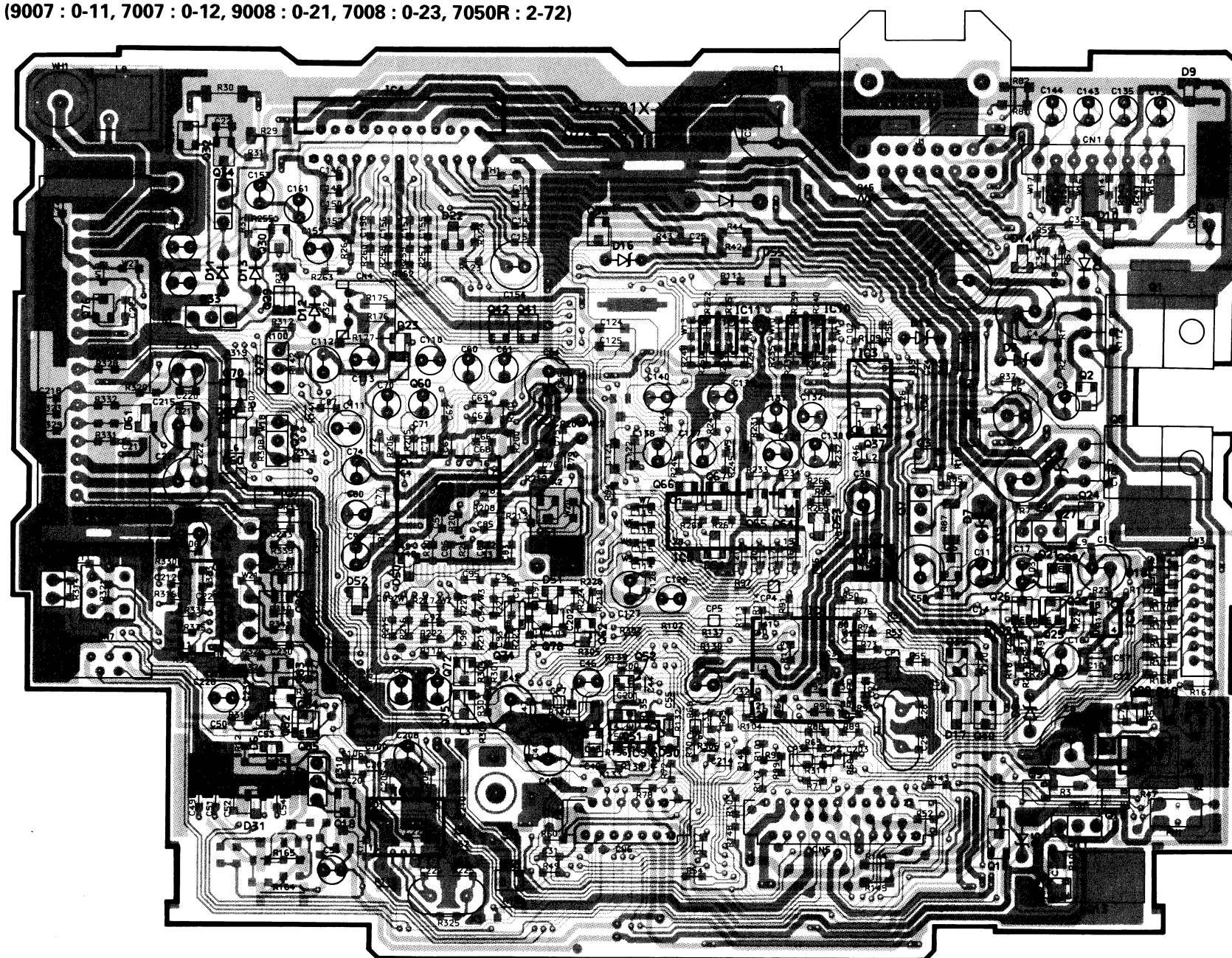
IC	1	2	3	4	5	6	7	8	9	10	11	12	13
address	4AB	4Z	3AB	2Z	4AA	5AC	4AB	4AC	5AA	3AA	3AA	5Y	5Z

Q	1	2	3	4	5	6	7	8	9	10	11	12	13
address	3AC	3AC	3AB	3AB	5AC	3AB	4AB	3AC	5AC	5BF	5AC	5AC	5AC

Q	37	38	39	40	41	42	50	51	52	53	60	61	62
address	3AB	5Z	4AB	4AB	3Z	3Z	5AA	4AA	4AA	4Z	3Z	4Z	4Z



ELECTRIC UNIT : X25-781X-XX
 (9007 : 0-11, 7007 : 0-12, 9008 : 0-21, 7008 : 0-23, 7050R : 2-72)



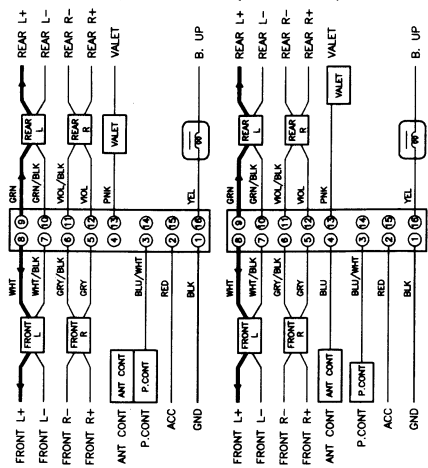
(X25-781X-XX)

IC	1	2	3	4	5	6	7	8	9	10	11	12	13	14
address	4AB	4Z	3AB	2Z	4AA	5AC	4AB	4AC	5AA	3AA	3AA	5Y	5Z	4Y

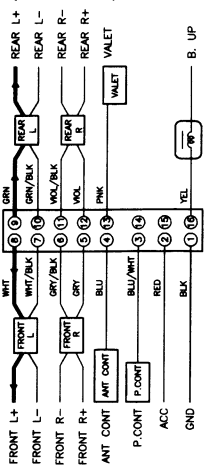
Q	1	2	3	4	5	6	7	8	9	10	11	12	13	14	17	18	21	22	23	24	25	26	27	28	29	30	31	32	33	34	35	36
address	3AC	3AC	3AB	3AB	5AC	3AB	4AB	3AC	5AC	5BF	5AC	5AC	5AC	5Y	5Y	4AC	4AC	4BF	3AC	4AC	4BF	4AC	4AC	3Y	2Y	2Y	2Y	2Y	3Y	2Y	3AB	2Z

Q	37	38	39	40	41	42	50	51	52	53	60	61	62	64	65	66	67	70	71	72	74	75	76	77	78	79	80	82	83	84	85	86
address	3AB	5Z	4AB	4AB	3Z	3Z	5AA	4AA	4AA	4Z	3Z	4Z	4Z	3AA	3AA	3AA	3AA	3Y	3Y	4Z	4Z	4Z	3X	3Y	4Z	3Y	3Y	4Y	4Y	4Y	4Y	4Y

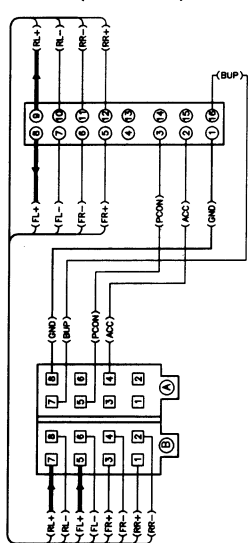
DC CORD
KDC-9007(K)/KDC-7007(K)
(E30-4436-05)



DC CORD
KDC-9008(M)/KDC-7008(M)
(E30-4437-05)



DC CORD
KDC-7050R(E)
(E30-4439-05)

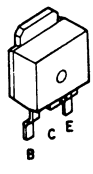


- IC1 : *
- IC2 : TDA7420
- IC3 : HD74HC27FP
- IC4 : TDA7384A
- IC6 : M5237ML
- IC7 : KKZ01F
- IC8 : TC7660S
- IC9 : TC4W66F
- IC10,11 : NJM4565M-TE2
- IC12 : BA6219BFP-Y
- IC13 : SAA6579T
- IC14 : LA1145M

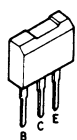
- | | |
|-----------------------------|------------------|
| Q1 : 2SB1565F(E,F) | D1 : RM10ZLF |
| Q2,12,18,21,24-26,35,36,61, | D2,12,13,27 |
| 62,72,75,82,83,86 | D3,8,15,16 |
| Q3,22,23,28,32,51 | D4 : UZL-6(M1) |
| Q4,39,41,60,70,71,76 | D5 : UZL-9(L1) |
| Q5 : 2SB1184 | D6 : UZL-11BS(B) |
| Q6 : DTC114YK | D7 : UZL-11(M43) |
| Q7,17,27 | D8,10,30 |
| Q8 : 2SB1443 | D9 : 1S133 |
| Q9,38,50 | D10 : MA3047-M |
| Q10,31,37,40,42,74 | D11 : DAN202K |
| Q11 : 2SB1565(E,F) | D12-21 |
| Q29,30 | D31 : MA3068-M |
| Q33,34,77,79 | D32 : UZM46,8F |
| Q52,53 | D53,54,60 |
| Q64-67 | |
| Q78,84 | |
| Q80 | |
| Q85 | |

- DTA114EK
- DTA124EK
- DTA144EK
- DTB123YK
- DTC114EK
- DTC114TK
- DTC114YK

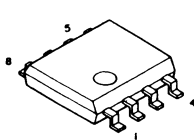
2SB1184



2SB1277
2SB1443



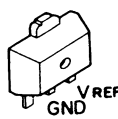
NJM4565M-TE2
NJM4565MD



DAN202K



TA78L05F



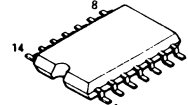
DA204K



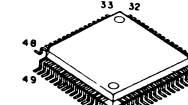
2SK536



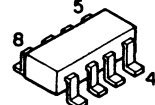
SAA6579T



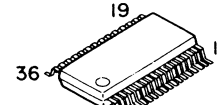
TDA7420



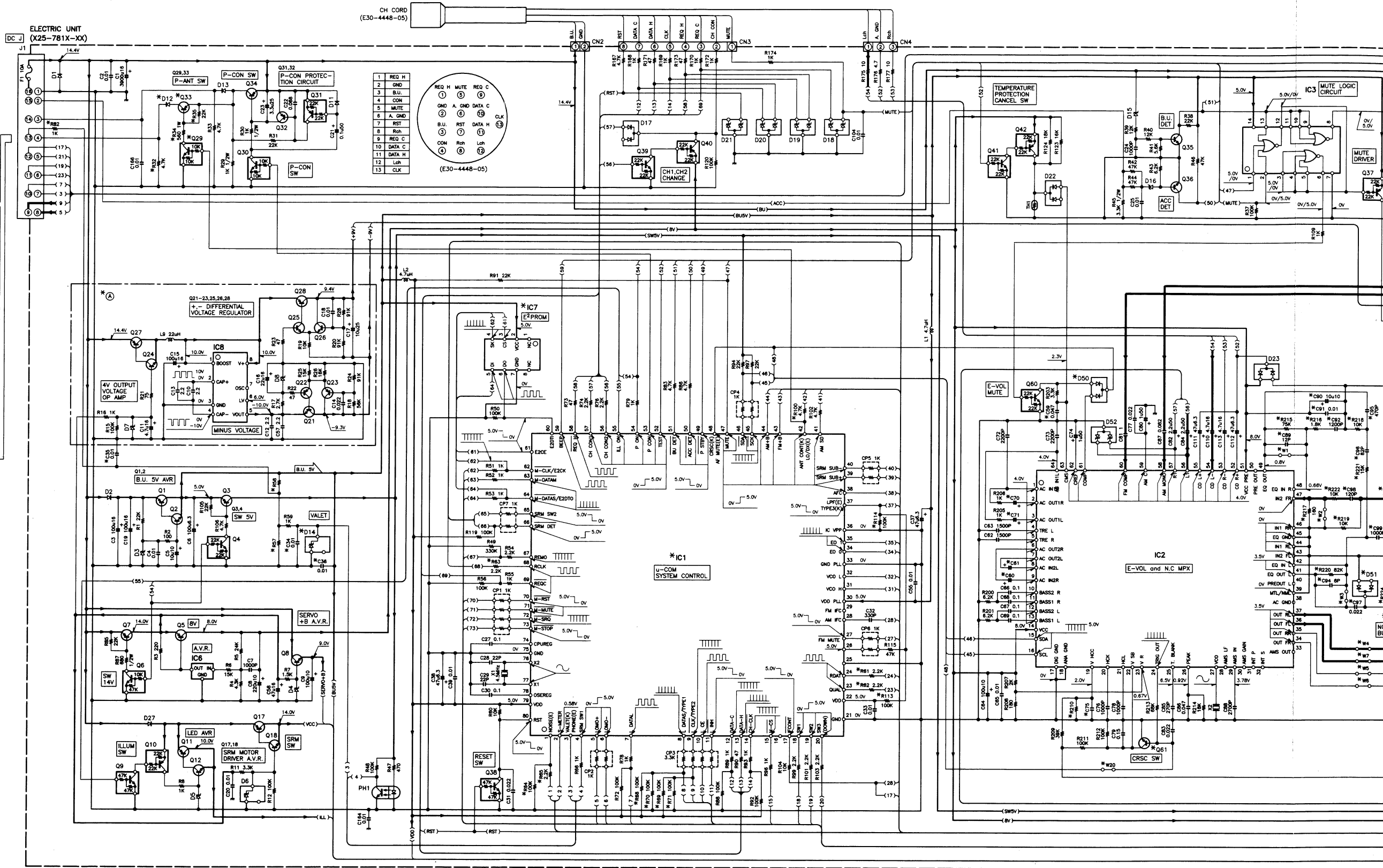
TC4W66F



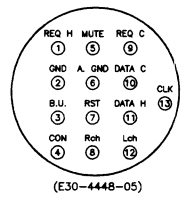
M5237ML



AN8806SB



CH CORD
(E30-4448-05)



(E30-4448-05)

TEMPERATURE PROTECTION CANCEL SW

MUTE LOGIC CIRCUIT

MUTE DRIVER

IC1
U-COM SYSTEM CONTROL

IC2
E-VOL and N.C MPX

NOISE BUFF

CRSC SW

Q21-23,25,26,28
+- DIFFERENTIAL VOLTAGE REGULATOR

Q1,2
B.U. 5V AVR

Q5,6
A.V.R.

Q10,11
SERVO MOTOR DRIVER A.V.R.

Q12,13,27

Q3,8,15,16

Q4,39,41,60,70,71,76

Q5 : 2SB1184

Q6 : DTC114YK

Q7,17,27 : 2SB1443

Q8 : 2SD2396F40

Q9,38,50 : DTC144EK

Q10,31,37,40,42,74 : DTA124EK

Q11 : 2SB1565(E,F)

Q29,30 : DTC114EK

Q33,34,77,79 : 2SB1277(Q,R)

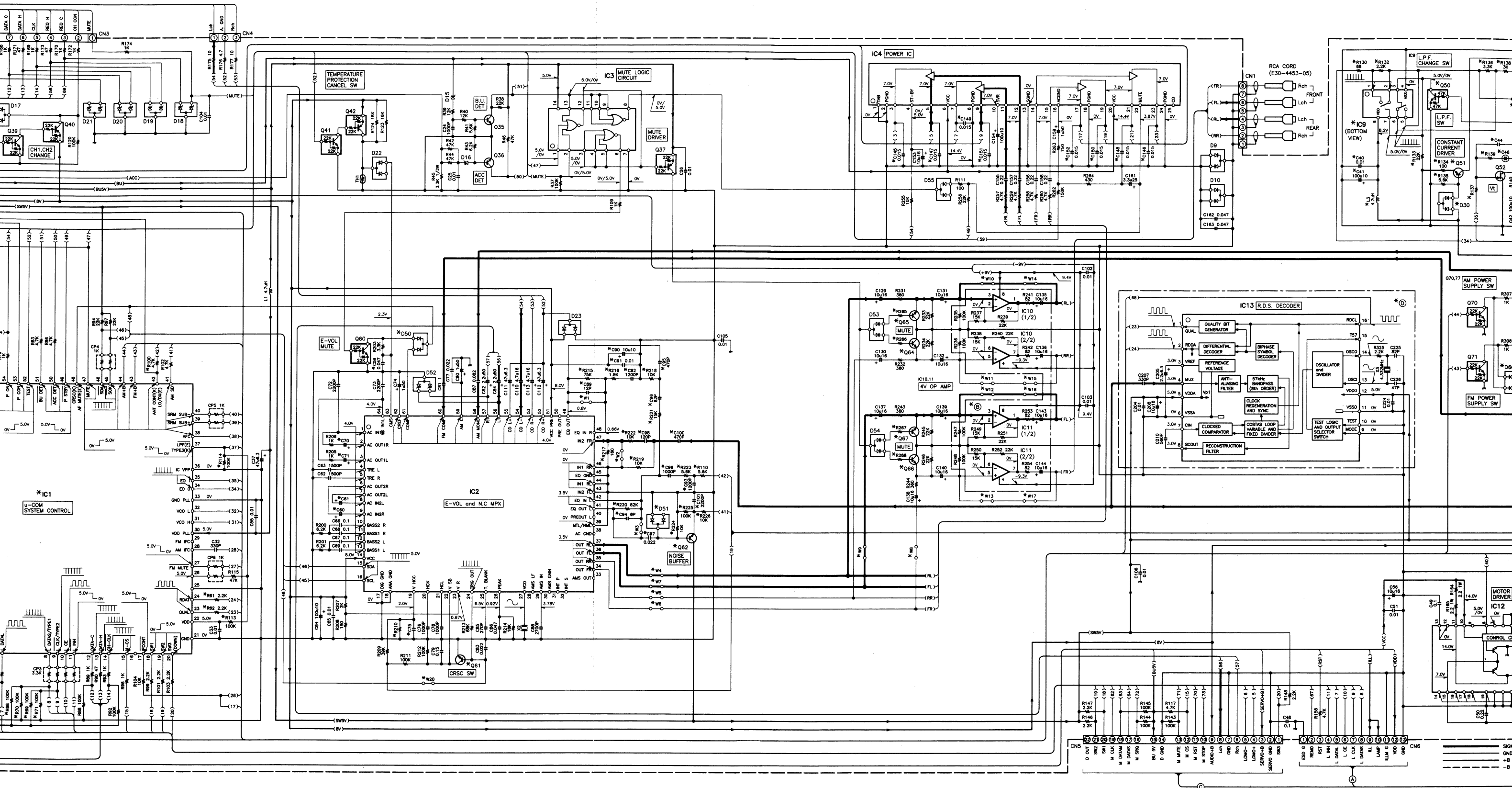
Q52,53 : 2SK536

Q64-67 : *

Q78,84 : DTC114TK

Q80 : DTB123YK

Q85 : DTA144EK



536

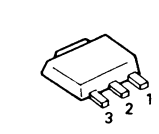
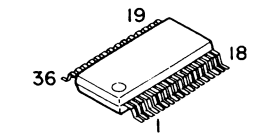
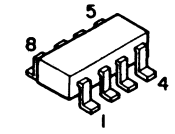
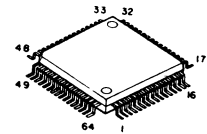
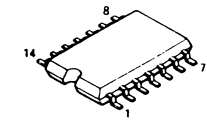
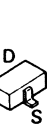
SAA6579T

TDA7420

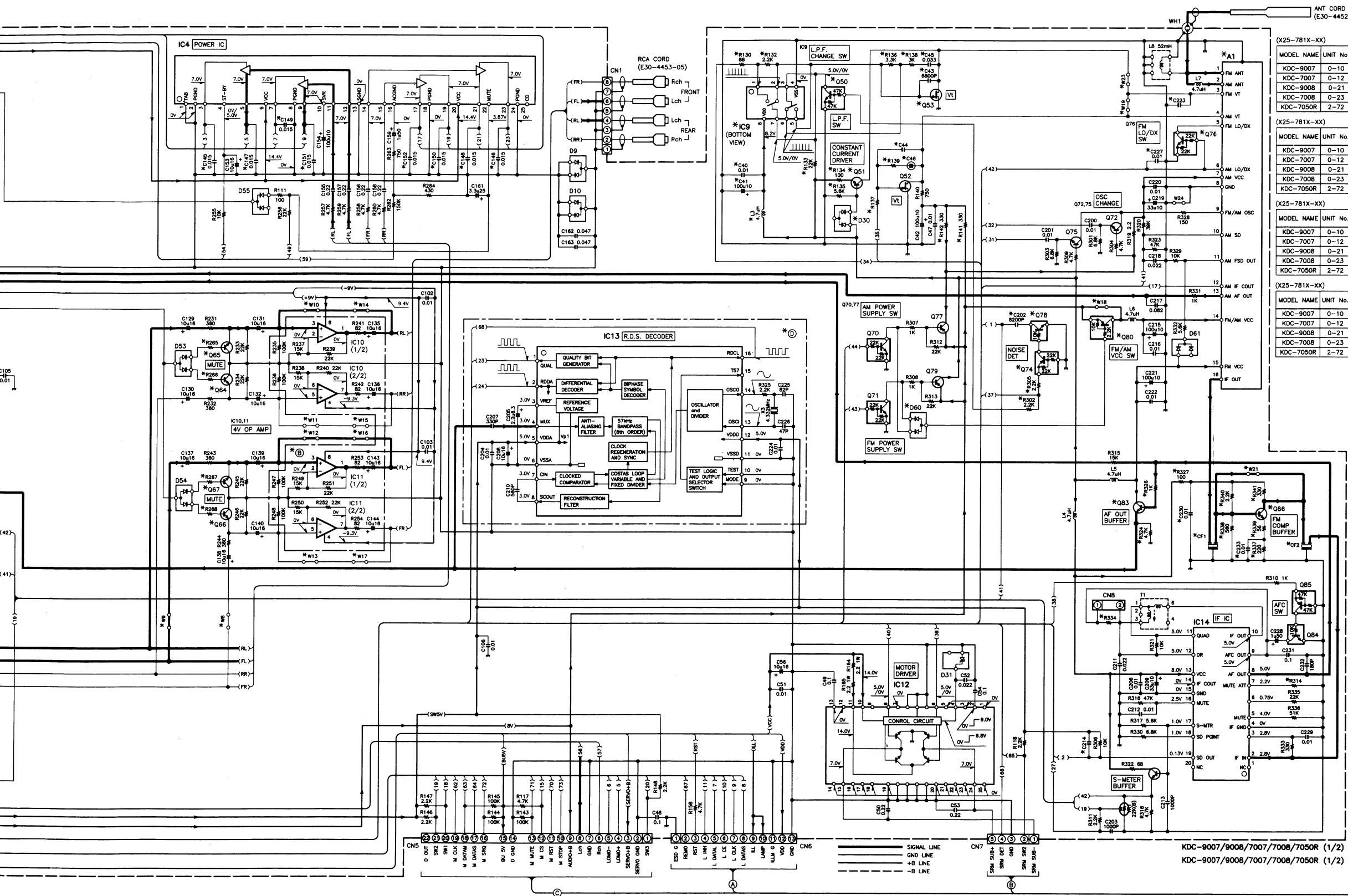
TC4W66F

M5237ML

AN8806SB



CAUTION: For continued safety, replace with same type and rating fuse (s). To be carried out (exposed parts are ac customer).
 • The DC voltage is an actual reading may vary depending on the measuring instr



(X25-781X-XX)

MODEL NAME	UNIT No.	A1	C34,35,59	C36	C40,41,43,45,89-101,145-152,202,227,230,233	C44	C46	C60,61	C70,71	C75	C214	C223
KDC-9007	0-10	W02-1534	YES	YES	NO	0.1	2.2u35	4.7u16	10u16	0.1	0.047	0.01
KDC-7007	0-12	W02-1534	YES	YES	NO	0.1	2.2u35	2.2u50	2.2u50	0.1	0.047	0.01
KDC-9008	0-21	W02-1534	YES	NO	NO	0.1	2.2u35	4.7u16	10u16	0.1	0.047	0.01
KDC-7008	0-23	W02-1534	YES	NO	NO	0.1	2.2u35	2.2u50	2.2u50	0.1	0.047	0.01
KDC-7050R	2-72	W02-1523	NO	YES	YES	0.088	0.47u50	2.2u50	2.2u50	0.01	0.01	1000P

(X25-781X-XX)

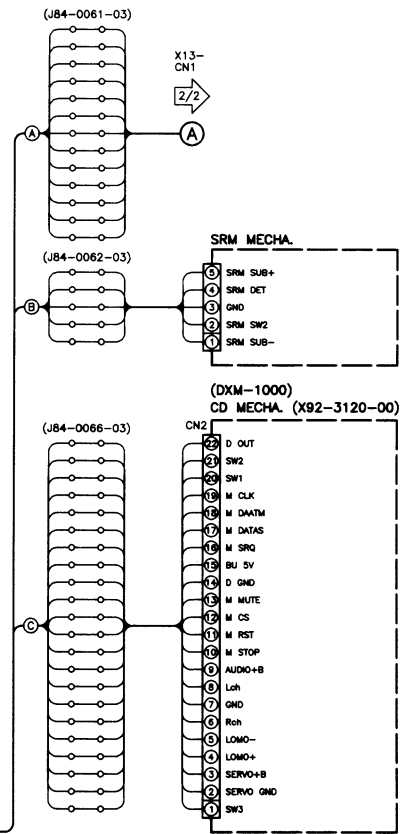
MODEL NAME	UNIT No.	CF1,2	D12	D14	D30,50,51	D60	IC1	IC7	IC9	Q29,33	Q50,51,53,62,74,76,78,86	Q64-67	Q61	Q80
KDC-9007	0-10	L72-0719	NO	YES	NO	YES	1780168GC519	YES	NO	NO	NO	25D2114K	YES	YES
KDC-7007	0-12	L72-0719	NO	YES	NO	YES	1780168GC519	YES	NO	NO	NO	25C2412K	YES	YES
KDC-9008	0-21	L72-0719	YES	YES	NO	NO	1780168GC519	NO	NO	YES	NO	25D2114K	YES	NO
KDC-7008	0-23	L72-0719	YES	YES	NO	NO	1780168GC519	NO	NO	YES	NO	25C2412K	YES	NO
KDC-7050R	2-72	L72-0720	NO	NO	YES	NO	1780188GC514	YES	NO	YES	NO	25C2412K	NO	NO

(X25-781X-XX)

MODEL NAME	UNIT No.	Q83	R32,34,35,71	R57	R58	R61-63,324,326	R64,82,141	R65,100,110,130,132-136,138,142,215-226,302,305,327,337-341	R68	R69	R70	R113	R114
KDC-9007	0-10	YES	NO	100K	100K	YES	YES	NO	NO	YES	YES	YES	NO
KDC-7007	0-12	NO	NO	100K	100K	NO	NO	YES	YES	NO	NO	NO	YES
KDC-9008	0-21	NO	YES	100K	100K	NO	YES	NO	NO	NO	NO	YES	NO
KDC-7008	0-23	NO	YES	100K	100K	NO	YES	NO	NO	NO	NO	YES	NO
KDC-7050R	2-72	YES	NO	22K	47K	YES	NO	YES	NO	NO	NO	NO	NO

(X25-781X-XX)

MODEL NAME	UNIT No.	R137	R139	R210	R265-268	R314	R334	W1-3,19-21	W10-17	W18	W23	Ⓐ	Ⓑ	Ⓒ	L3
KDC-9007	0-10	1K	560	150K	22K	18K	15K	YES	NO	NO	NO	Ⓐ	Ⓑ	Ⓒ	NO
KDC-7007	0-12	1K	560	150K	4.7K	18K	15K	YES	YES	NO	NO	NO	NO	NO	NO
KDC-9008	0-21	1K	560	150K	22K	18K	15K	YES	NO	YES	NO	NO	NO	NO	NO
KDC-7008	0-23	1K	560	150K	4.7K	18K	15K	YES	YES	YES	NO	NO	NO	NO	NO
KDC-7050R	2-72	2.2K	4.7K	180K	4.7K	20K	47K	NO	YES	YES	YES	NO	NO	NO	YES

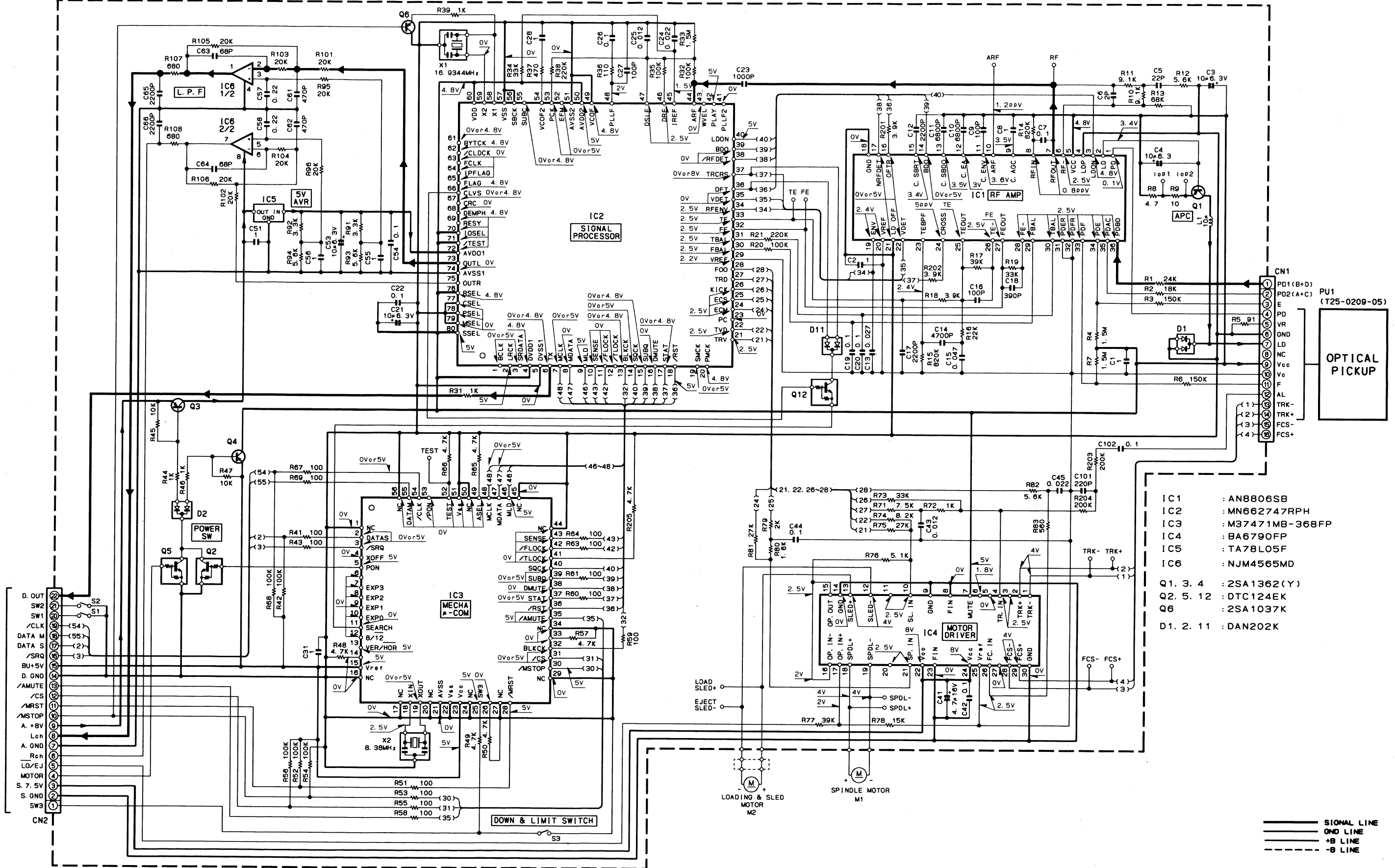


CAUTION: For continued safety, replace safety critical components only with manufacturer's recommended parts (refer to parts list). Ⓐ Indicates safety critical components. For continued protection against risk of fire, replace only with same type and rating fuse (s). To reduce the risk of electric shock, leakage-current or resistance measurements shall be carried out (exposed parts are acceptably insulated from the supply circuit) before the appliance is returned to the customer.

- The DC voltage is an actual reading measured with a high impedance type voltmeter. The measurement value may vary depending on the measuring instruments used or on the product.

KDC-9007/7050R
KENWOOD

(X32-4280-00)



- IC1 : AN8806SB
- IC2 : MN662747RPH
- IC3 : M37471MB-368FP
- IC4 : BA6790FP
- IC5 : TA78L05F
- IC6 : NJM4565MD
- Q1, 3, 4 : 2SA1362(Y)
- Q2, 5, 12 : DTC124EK
- Q6 : 2SA1037K
- D1, 2, 11 : DAN202K

——— SIGNAL LINE
 - - - - - GND LINE
 ······ +B LINE
 ······ -B LINE

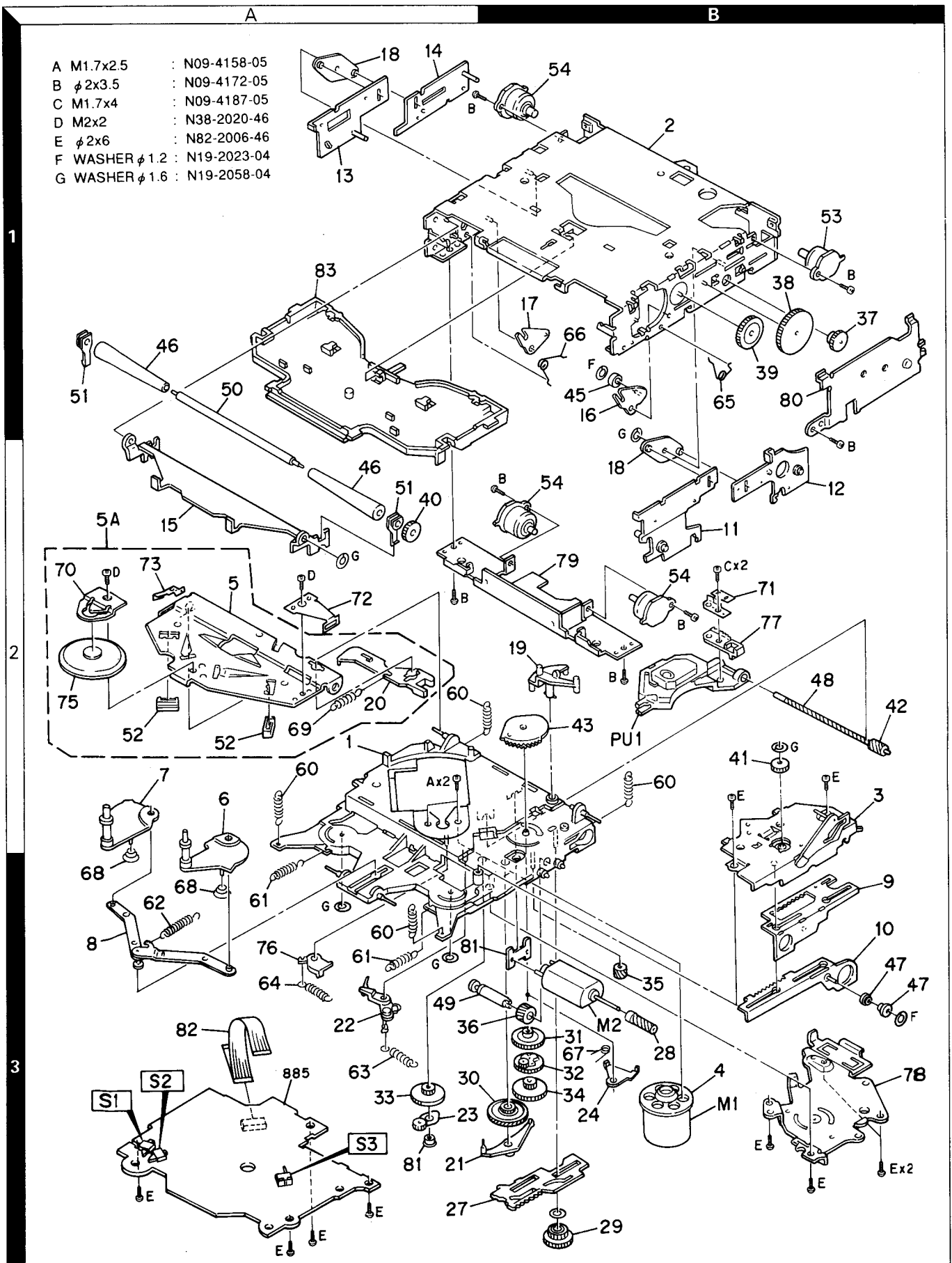
CAUTION: For continued safety, replace safety critical components only with manufacturer's recommended parts (refer to parts list).
 Δ Indicates safety critical components. For continued protection against risk of fire, replace only with same type and rating fuse (s). To reduce the risk of electric shock, leakage-current or resistance measurements shall be carried out (exposed parts are acceptably insulated from the supply circuit) before the appliance is returned to the customer.
 • The DC voltage is an actual reading measured with a high impedance type voltmeter. The measurement value may vary depending on the measuring instruments used or on the product.

KDC-9007/7050R

KENWOOD

KDC-9007/7050R

EXPLODED VIEW (MECHANISM)



Parts with the exploded numbers larger than 700 are not supplied.

KDC-9007/7050R

PARTS LIST

* New Parts

Parts without **Parts No.** are not supplied.

Les articles non mentionnés dans le **Parts No.** ne sont pas fournis.

Teile ohne **Parts No.** werden nicht geliefert.

KDC-9007/9008/7007/7008/7050R

Ref No.	New	Parts No.	Description/Destination	Ref No.	New	Parts No.	Description/Destination
KDC-9007/9008/7007/7008/7050R							
202	1D	A10-4308-02	CHASSIS ASSY	244	1D	D13-1321-03	GEAR ASSY
203	2D	A10-4315-04	CHASSIS CALKING ASSY	246	1D	D14-0678-04	ROLLER ASSY
204	1C	A10-4317-04	CHASSIS CALKING ASSY	247	3D	D14-0680-04	ROLLER
205	1D	A10-4319-04	CHASSIS CALKING ASSY	248	3D	D14-0681-04	ROLLER
206	1D	A10-4321-04	CHASSIS CALKING ASSY			E29-1450-04	LEAD PLATE
207	1D	A10-4353-03	CHASSIS ASSY			E29-1529-04	LEAD PLATE
210	3C	A22-1293-03	SUB PANEL ASSY	250	2D	E29-1530-04	LEAD PLATE
212	2C	A46-1260-02	REAR COVER			E30-4447-05	CORD WITH PINPLUG(RCA) K2
213	1D	A52-0710-02	TOP PLATE	250	2D	E30-4453-05	CORD WITH PINPLUG(RCA) KM1M3
PA1	3C	A64-1041-02	PANEL ASSY (KDC-9007) K	250	2D	E30-4453-05	CORD WITH PINPLUG E2
PA1	3C	A64-1043-02	PANEL ASSY (KDC-7007) K2	251	2D	E30-4448-05	CORD WITH DIN CONNECTOR(CH)
PA1	3C	A64-1044-02	PANEL ASSY (KDC-9008) M1	△ DC1	1C	E30-4436-05	DC CORD KK2
PA1	3C	A64-1046-02	PANEL ASSY (KDC-7008) M3	△ DC1	1C	E30-4437-05	DC CORD M1M3
PA1	3C	A64-1048-02	PANEL ASSY (KDC-7050R) E2	△ DC1	1C	E30-4439-05	DC CORD E2
RM1	1C	* A70-0860-05	REMOTE CONTROLLER ASSY KM1	252	1D	F09-1244-04	SHEET
		B64-0981-00	INST. MANUAL(ENG, THAI) M1M3	255	2D	F29-0049-05	INSULATING COVER
		B64-0982-00	INST. MANUAL(ENG, FRE) E2	△ F1	2D	F52-0006-05	FUSE(MINI BLADE TYPE)
		B64-0983-00	INST. MANUAL(GER, ITA) E2	257	1D	G01-2816-04	TORSION COIL SPRING
		B64-0984-00	INST. MANUAL(DUT, POR) E2	258	1D	G01-2817-04	TORSION COIL SPRING
		B64-0985-00	INST. MANUAL(SPA) E2	259	1D	G01-2818-04	EXTENSION SPRING
220	2C	B03-3021-04	DRESSING SEAL	260	1D	G01-2819-04	TORSION COIL SPRING
221	1C	B07-2087-12	ESCUTCHEON	261	1D	G01-2820-04	TORSION COIL SPRING
222	1C	B07-2096-02	ESCUTCHEON KK2M1	262	1D	G11-1733-04	CUSHION
222	1C	B07-2096-02	ESCUTCHEON M3	-		H10-4560-02	POLYSTYRENE FOAMED FIXTURE
223	3C	B10-1753-01	FRONT GLASS K	-		H13-1681-04	CARTON BOARD
223	3C	B10-1755-01	FRONT GLASS K2	-		H25-0329-04	PROTECTION BAG(280X450X0.03) KK2M1
223	3C	B10-1756-01	FRONT GLASS M1	-		H25-0329-04	PROTECTION BAG(280X450X0.03) M3
223	3C	B10-1758-01	FRONT GLASS M3	-		H25-0337-04	PROTECTION BAG(180X300X0.03)
223	3C	B10-1760-01	FRONT GLASS E2	-		H25-1108-04	PROTECTION BAG(100X300X0.03) M1M3E2
-		B46-0100-50	WARRANTY CARD	-		H25-1111-04	PROTECTION BAG(280X450X0.03) E2
-		B46-0172-13	QUESTIONNAIRE CARD KK2	-		H54-0785-04	ITEM CARTON CASE K
-		B46-0612-14	ID CARD M1M3E2	-		H54-0787-04	ITEM CARTON CASE K2
-		B58-1234-04	CAUTION CARD (ACCナシ, ハットチリニア)	-		H54-0788-04	ITEM CARTON CASE M1
-		B64-0977-00	INST. MANUAL(ENG, FRE) K	-		H54-0790-04	ITEM CARTON CASE M3
-		B64-0978-00	INST. MANUAL(SPA) K	-		H54-0792-04	ITEM CARTON CASE E2
-		B64-0979-00	INST. MANUAL(ENG, FRE) K2	265	1C	J19-4720-04	BRACKET KK2M1
-		B64-0980-00	INST. MANUAL(SPA) K2	265	1C	J19-4720-04	BRACKET M3
		D23-0935-04	RETAINER	266	1C	J19-4721-04	BRACKET KK2M1
		D23-0936-04	RETAINER	266	1C	J19-4721-04	BRACKET M3
		D23-0937-04	RETAINER	267	1C	J21-7630-33	MOUNTING HARDWARE ASSY
225	1C	D10-4067-04	LEVER	268	1D	J21-7768-04	MOUNTING HARDWARE ASSY
230	1D	D10-4135-04	ARM ASSY	270	1D	J21-7777-04	MOUNTING HARDWARE
231	1D	D10-4136-04	ARM ASSY	271	1D	J31-1035-04	COLLAR
232	1D	D13-1302-04	GEAR ASSY	272	1C	J54-0606-04	STAY KK2M1
233	1D	D13-1306-04	GEAR	272	1C	J54-0606-04	STAY M3
234	1D	D13-1307-03	GEAR	FPC1	3D	J84-0061-03	FLEXIBLE PRINTED WIRING BOARD
235	1D	D13-1308-04	GEAR	FPC2	1D	J84-0062-03	FLEXIBLE PRINTED WIRING BOARD
236	1D	D13-1309-04	GEAR	FPC3	2C	J84-0066-03	FLEXIBLE PRINTED WIRING BOARD
239	1D	D13-1312-04	GEAR	275	3C	K24-1767-04	KNOB(RESET)
240	1D	D13-1313-04	GEAR	276	3C	K25-0794-13	KNOB(VOL.)
242	1D	D13-1315-04	GEAR	277	3C	K25-0795-13	KNOB(1, 2, 3, 4, 5, 6)
243	1D	D13-1320-03	GEAR ASSY	278	3C	K25-0796-13	KNOB(AM, FM)
				279	3C	K25-0798-03	KNOB(MODE)

K: KDC-9007 M1: KDC-9008 K2: KDC-7007

M3: KDC-7008 E2: KDC-7050R

△ indicates safety critical components.

KDC-9007/7050R

PARTS LIST

* New Parts

Parts without **Parts No.** are not supplied.

Les articles non mentionnes dans le **Parts No.** ne sont pas fournis.

Teile ohne **Parts No.** werden nicht geliefert.

KDC-8007/8008/9050R
SWITCH UNIT (X13-905X-XX)
K : 0-11 M1,K2,M3,E2 : 2-70
ELECTRIC UNIT (X25-781X-XX)

K : 0-10 M1 : 0-12 K2 : 0-21 M3 : 0-23 E2 : 2-72

Ref No.	New	Parts No.	Description/Destination
280	3C	K25-0799-03	KNØB(ATT)
281	3C	K25-0797-03	KNØB(AUD) K
281	3C	K25-0803-03	KNØB(AUD) K2M1M3
281	3C	K25-0803-03	KNØB(AUD) E2
282	1C	N09-1885-05	SEMS (MACHINE SCREW) E2
283	1C	N99-1622-05	SCREW SET KK2M1
283	1C	N99-1622-05	SCREW SET M3
A	3D	N83-3005-46	PAN HEAD TAPTITE SCREW
B	2C	N67-3005-46	PAN HEAD SEMS SCREW
C	3C	N30-2003-46	PAN HEAD MACHINE SCREW
D	1D	N09-4184-05	MACHINE SCREW (M2X2 2 $\frac{1}{2}$ 7070 $\frac{1}{2}$)
E	3C	N80-2005-46	PAN HEAD TAPTITE SCREW
F	2D	N80-2008-46	PAN HEAD TAPTITE SCREW
G	1D	N88-2006-45	FLAT HEAD TAPTITE SCREW
H	3C	N35-2003-45	BINDING HEAD MACHINE SCREW
J	1D	N19-2062-04	FLAT WASHER
K	1D	N19-2022-04	FLAT WASHER
M	3D	N35-2004-46	BINDING HEAD MACHINE SCREW
Q	1D	N19-2058-04	FLAT WASHER
R	1D	N19-2094-04	FLAT WASHER
S1	1D	S68-0822-05	PUSH SWITCH
284	1C	T90-0512-05	ANTENNA ADAPTOR E2
M1	1D	T42-0752-04	MØTØR ASSY
ME1	2C	X92-3120-00	MECHANISM ASSY
SWITCH UNIT (X13-905X-XX)			
D1	-9	B30-1349-05	LED
LCD1	2C	B38-0671-05	LIQUID CRYSTAL
PL1	-4	B30-1478-05	LAMP (5.5V .125A)
C1		CK73FB1H821K	CHIP C 820PF K
C2	,3	CK73FB1H473KTA	CHIP C 0.047UF K
C4		CK73FB1H103K	CHIP C 0.010UF K
C5		C92-0509-05	CHIP-TAN 10UF 6.3WV
C6		CK73FB1H103K	CHIP C 0.010UF K
C7		CK73FB1H821K	CHIP C 820PF K
C8	,9	CK73FB1H473KTA	CHIP C 0.047UF K
C10		CK73FB1H103K	CHIP C 0.010UF K
303	2C	E29-1520-04	CONDUCTIVE RUBBER
CN1		E40-9407-05	FLAT CABLE CONNECTØR
L1	,2	L40-4795-34	SMALL FIXED INDUCTØR
CP1		R90-1016-05	MULTIPLE RESISTØR
CP2		R90-0725-05	MULTI-COMP 1K X2
R8		RK73FB2A683J	CHIP R 68K J 1/10W
R9		RK73FB2A472J	CHIP R 4.7K J 1/10W
R10		RK73FB2A101J	CHIP R 100 J 1/10W
R11		RK73FB2A683J	CHIP R 68K J 1/10W
R12		RK73FB2A473J	CHIP R 47K J 1/10W
R13	-15	RK73EB2B331J	CHIP R 330 J 1/8W
R16	-19	RK73EB2B471J	CHIP R 470 J 1/8W
R20		RK73EB2B331J	CHIP R 330 J 1/8W
R21	-24	RK73EB2B130J	CHIP R 13 J 1/8W

Ref No.	New	Parts No.	Description/Destination
R25	,26	RK73FB2A273J	CHIP R 27K J 1/10W
S1	-11	S70-0839-05	TACT SWITCH K
S1	-4	S70-0839-05	TACT SWITCH K2M1M3
S1	-4	S70-0839-05	TACT SWITCH E2
S6	-11	S70-0839-05	TACT SWITCH K2M1M3
S6	-11	S70-0839-05	TACT SWITCH E2
S12	-21	S70-0813-05	TACT SWITCH
S22		S40-1601-15	PUSH SWITCH
IC1		LC75853NE	MØS-IC
IC2		LC75833E	MØS-IC
IC3		PAS-B06B1FE	ANALØGUE IC
Q1	,2	DTA114EK	DIGITAL TRANSISTØR
Q1	,2	UN2111	DIGITAL TRANSISTØR
Q3	,4	2SD2114K	TRANSISTØR
ELECTRIC UNIT (X25-781X-XX)			
C1		C90-2822-05	ELECTRØ 3900UF 16WV
C2		CK73FB1H103K	CHIP C 0.010UF K
C3		CE04CW1C101M	ELECTRØ 100UF 16WV
C4		CK73FB1H103K	CHIP C 0.010UF K
C5		C90-2594-05	ELECTRØ 10UF 10WV
C6		CE04CW0J101M	ELECTRØ 100UF 6.3WV
C7		CK73FB1H102K	CHIP C 1000PF K
C8		CE04CW1A221M	ELECTRØ 220UF 10WV
C9		CE04CW1A101M	ELECTRØ 100UF 10WV
C10		CK73EB1C225K	CHIP C 2.2UF K KM1
C11		C90-2595-05	ELECTRØ 4.7UF 16WV KM1
C12	,13	CK73EB1C225K	CHIP C 2.2UF K KM1
C14		CK73FB1H223KTA	CHIP C 0.022UF K KM1
C15		C90-2840-05	ELECTRØ 100UF 16WV KM1
C16		CE04CW1C220M	ELECTRØ 22UF 16WV KM1
C17		CE04CW1E100M	ELECTRØ 10UF 25WV KM1
C18		CK73FB1H103K	CHIP C 0.010UF K KM1
C19		CE04CW1C101M	ELECTRØ 100UF 16WV
C20		CK73FB1H103K	CHIP C 0.010UF K
C21		C90-2602-05	ELECTRØ 0.10UF 50WV
C22		CK73FB1E683KTA	CHIP C 0.068UF K
C23		C90-2598-05	ELECTRØ 3.3UF 25WV
C24		CK73FB1H102K	CHIP C 1000PF K
C25	,26	CK73FB1H103K	CHIP C 0.010UF K
C27		CK73FB1C104K	CHIP C 0.10UF K
C28	,29	CC73FCH1H220J	CHIP C 22PF J
C30		CK73FB1C104K	CHIP C 0.10UF K
C31		CK73FB1H223KTA	CHIP C 0.022UF K
C32		CC73FCH1H331J	CHIP C 330PF J
C33		CK73FB1H103K	CHIP C 0.010UF K E2
C33	-35	CK73FB1H103K	CHIP C 0.010UF K M1M3
C33	-36	CK73FB1H103K	CHIP C 0.010UF K KK2
C36		CK73FB1H103K	CHIP C 0.010UF K E2
C37	,38	CE04CW0J470M	ELECTRØ 47UF 6.3WV
C39		CK73FB1H103K	CHIP C 0.010UF K KK2M1
C39		CK73FB1H103K	CHIP C 0.010UF K M3
C39	,40	CK73FB1H103K	CHIP C 0.010UF K E2
C41	,42	CE04CW1A101M	ELECTRØ 100UF 10WV E2

K:KDC-9007 **M1**:KDC-9008 **K2**:KDC-7007

M3:KDC-7008 **E2**:KDC-7050R

△ indicates safety critical components.

KDC-9007/7050R

PARTS LIST

* New Parts

Parts without **Parts No.** are not supplied.

Les articles non mentionnés dans le **Parts No.** ne sont pas fournis.

Teile ohne **Parts No.** werden nicht geliefert.

ELECTRIC UNIT (X25-781X-XX)

K : 0-10 M1 : 0-12 K2 : 0-21 M3 : 0-23 E2 : 2-72

Ref No.	New	Parts No.	Description/Destination	Ref No.	New	Parts No.	Description/Destination
C42		CE04CW1A101M	ELECTRØ 100UF 10WV KK2M1	C94		CC73FCH1H060D	CHIP C 6.0PF D E2
C42		CE04CW1A101M	ELECTRØ 100UF 10WV M3	C95		CC73FCH1H471J	CHIP C 470PF J E2
C43		C93-1052-05	CERAMIC 6800PF K E2	C96		CC73FCH1H820J	CHIP C 82PF J E2
C44		CK73FB1C104K	CHIP C 0.10UF K KK2M1	C97		CK73FB1H223KTA	CHIP C 0.022UF K E2
C44		CK73FB1C104K	CHIP C 0.10UF K M3	C98		CC73FCH1H121J	CHIP C 120PF J E2
C44		CK73FB1E683KTA	CHIP C 0.068UF K E2	C99		CC73FSL1H102J	CHIP C 1000PF J E2
C45		C93-1062-05	CHIP C 0.033UF K E2	C100		CC73FCH1H471J	CHIP C 470PF J E2
C46		C90-2525-05	NP-ELECT 2.2UF 35WV KK2M1	C101		CC73FSL1H222J	CHIP C 2200PF J E2
C46		C90-2525-05	NP-ELECT 2.2UF 35WV M3	C102-106		CK73FB1H103K	CHIP C 0.010UF K KM1
C46		C90-2807-05	NP-ELEC 0.47UF 50WV E2	C104-106		CK73FB1H103K	CHIP C 0.010UF K K2M3E2
C47		CK73FB1H103K	CHIP C 0.010UF K	C110		C90-2595-05	ELECTRØ 4.7UF 16WV
C48 ,49		CK73FB1C104K	CHIP C 0.10UF K	C111,112		CE04CW0J470M	ELECTRØ 47UF 6.3WV
C50		CK73FB1C224K	CHIP C 0.22UF K	C113		C90-2595-05	ELECTRØ 4.7UF 16WV
C51		CK73FB1H103K	CHIP C 0.010UF K	C129-132		C90-2597-05	ELECTRØ 10UF 16WV
C52		CK73FB1H223KTA	CHIP C 0.022UF K	C135-140		C90-2597-05	ELECTRØ 10UF 16WV KM1
C53		CK73FB1C224K	CHIP C 0.22UF K	C137-140		C90-2597-05	ELECTRØ 10UF 16WV K2M3E2
C54		CK73FB1C104K	CHIP C 0.10UF K	C143,144		C90-2597-05	ELECTRØ 10UF 16WV KM1
C55		CK73FB1H103K	CHIP C 0.010UF K	C145-152		CK73FB1H153KTA	CHIP C 0.015UF K E2
C56		C90-2597-05	ELECTRØ 10UF 16WV	C153		C90-2597-05	ELECTRØ 10UF 16WV
C57		CK73EB1C225K	CHIP C 2.2UF K KM1	C154		CE04CW1A101M	ELECTRØ 100UF 10WV
C58		CE04CW1C470M	ELECTRØ 47UF 16WV	C155-158		CK73FB1C224K	CHIP C 0.22UF K
C59		CK73FB1E473KTA	CHIP C 0.047UF K KK2M1	C159		C90-2608-05	ELECTRØ 1.0UF 50WV
C59		CK73FB1E473KTA	CHIP C 0.047UF K M3	C161		C90-2598-05	ELECTRØ 3.3UF 25WV
C60 ,61		C90-2595-05	ELECTRØ 4.7UF 16WV KM1	C200,201		CK73FB1H103K	CHIP C 0.010UF K
C60 ,61		C90-2610-05	ELECTRØ 2.2UF 50WV K2M3E2	C202		CK73FB1H822K	CHIP C 8200PF K E2
C62 ,63		CK73FB1H152K	CHIP C 1500PF K	C203		CK73FB1H102K	CHIP C 1000PF K
C64		CE04CW1A101M	ELECTRØ 100UF 10WV	C204		CK73FB1H103K	CHIP C 0.010UF K KE2
C65		CK73FB1H103K	CHIP C 0.010UF K	C205		C92-0005-05	CHIP-TAN 2.2UF 6.3WV KE2
C66 -69		CK73FB1C104K	CHIP C 0.10UF K	C206		CK73FB1H103K	CHIP C 0.010UF K
C70 ,71		C90-2597-05	ELECTRØ 10UF 16WV KM1	C207		CC73FCH1H331J	CHIP C 330PF J KE2
C70 ,71		C90-2610-05	ELECTRØ 2.2UF 50WV K2M3E2	C208		C90-2597-05	ELECTRØ 10UF 16WV KE2
C72 ,73		CK73FB1H222K	CHIP C 2200PF K	C209		CE04CW1A330M	ELECTRØ 33UF 10WV
C74		C90-2608-05	ELECTRØ 1.0UF 50WV	C210		CC73FCH1H561J	CHIP C 560PF J KE2
C75		CK73FB1C104K	CHIP C 0.10UF K KK2M1	C211		CK73FB1H223KTA	CHIP C 0.022UF K
C75		CK73FB1C104K	CHIP C 0.10UF K M3	C212		CK73FB1H103K	CHIP C 0.010UF K
C75		CK73FB1H103K	CHIP C 0.010UF K E2	C213		CK73FB1H102K	CHIP C 1000PF K
C76		CK73FB1H102K	CHIP C 1000PF K	C214		CK73FB1E473KTA	CHIP C 0.047UF K KK2M1
C77		CK73FB1H223KTA	CHIP C 0.022UF K	C214		CK73FB1E473KTA	CHIP C 0.047UF K M3
C78		CK73FB1H102K	CHIP C 1000PF K	C214		CK73FB1H103K	CHIP C 0.010UF K E2
C79		CK73FB1C154K	CHIP C 0.15UF K	C215		CE04CW1A101M	ELECTRØ 100UF 10WV
C80		C90-2608-05	ELECTRØ 1.0UF 50WV	C216		CK73FB1H103K	CHIP C 0.010UF K
C81		CK73EB1C105K	CHIP C 1.0UF K	C217		CK73FB1C823K	CHIP C 0.082UF K
C82		C90-2608-05	ELECTRØ 1.0UF 50WV K2M3E2	C218		CK73FB1H223KTA	CHIP C 0.022UF K
C82		C90-2610-05	ELECTRØ 2.2UF 50WV KM1	C219		CE04CW1A330M	ELECTRØ 33UF 10WV
C83		CK73FB1H223KTA	CHIP C 0.022UF K	C220		CK73FB1H103K	CHIP C 0.010UF K
C84		C90-2608-05	ELECTRØ 1.0UF 50WV K2M3E2	C221		CE04CW1A101M	ELECTRØ 100UF 10WV
C84		C90-2610-05	ELECTRØ 2.2UF 50WV KM1	C222		CK73FB1H103K	CHIP C 0.010UF K M1M3E2
C85		CC73FCH1H271J	CHIP C 270PF J	C222-224		CK73FB1H103K	CHIP C 0.010UF K K
C86		CK73FB1E473KTA	CHIP C 0.047UF K	C222,223		CK73FB1H103K	CHIP C 0.010UF K K2
C87		CK73FB1C823K	CHIP C 0.082UF K	C223		CK73FB1H102K	CHIP C 1000PF K E2
C88		CK73FB1H272K	CHIP C 2700PF K	C224		CK73FB1H103K	CHIP C 0.010UF K E2
C89		CC73FCH1H120J	CHIP C 12PF J E2	C225		CC73FCH1H820J	CHIP C 82PF J KE2
C90		C90-2594-05	ELECTRØ 10UF 10WV E2	C226		CC73FCH1H470J	CHIP C 47PF J KE2
C91		CK73FB1H103K	CHIP C 0.010UF K E2	C227		CK73FB1H103K	CHIP C 0.010UF K E2
C92 ,93		CC73FSL1H122J	CHIP C 1200PF J E2	C228		C90-2608-05	ELECTRØ 1.0UF 50WV

K : KDC-9007 M1 : KDC-9008 K2 : KDC-7007

M3 : KDC-7008 E2 : KDC-7050R

⚠ indicates safety critical components.

KDC-9007/7050R

PARTS LIST

* New Parts

Parts without **Parts No.** are not supplied.

Les articles non mentionnés dans le **Parts No.** ne sont pas fournis.

Teile ohne **Parts No.** werden nicht geliefert.

ELECTRIC UNIT (X25-781X-XX)

K : 0-10 M1 : 0-12 K2 : 0-21 M3 : 0-23 E2 : 2-72

Ref No.	New	Parts No.	Description/Destination	Ref No.	New	Parts No.	Description/Destination
C229		CK73FB1H103K	CHIP C 0.010UF K KK2M1	R15		RK73FB2A104J	CHIP R 100K J 1/10W KM1
C229		CK73FB1H103K	CHIP C 0.010UF K M3	R16		RK73FB2A102J	CHIP R 1.0K J 1/10W KM1
C229, 230		CK73FB1H103K	CHIP C 0.010UF K E2	R17		RK73FB2A272J	CHIP R 2.7K J 1/10W KM1
C231		CK73FB1C104K	CHIP C 0.10UF K	R18		RK73FB2A563J	CHIP R 56K J 1/10W KM1
C232		CC73FCH1H181J	CHIP C 180PF J	R19		RK73FB2A103J	CHIP R 10K J 1/10W KM1
C233		CK73FB1H103K	CHIP C 0.010UF K E2	R20		RK73FB2A913J	CHIP R 91K J 1/10W KM1
CN1		E23-0732-04	TERMINAL	R21		RK73FB2A750J	CHIP R 75 J 1/10W KM1
CN2		E40-3243-05	PIN ASSY	R22, 23		RK73FB2A470J	CHIP R 47 J 1/10W KM1
CN3		E40-3237-05	PIN ASSY	R24		RK73FB2A913J	CHIP R 91K J 1/10W KM1
CN4		E40-3252-05	PIN ASSY	R25		RK73FB2A153J	CHIP R 15K J 1/10W KM1
CN4		E40-3261-05	PIN ASSY	R26		RK73FB2A163J	CHIP R 16K J 1/10W KM1
CN5		E40-9550-05	FLAT CABLE CONNECTOR	R28		RK73FB2A913J	CHIP R 91K J 1/10W KM1
CN6		E40-9557-05	FLAT CABLE CONNECTOR	R29, 30		R92-0365-05	CHIP R 1.0K J 1/2W
CN7		E40-5029-05	FLAT CABLE CONNECTOR	R31		RK73FB2A223J	CHIP R 22K J 1/10W
CN8		E40-3640-05	PIN ASSY	R32, 33		RK73FB2A472J	CHIP R 4.7K J 1/10W M1M3
J1		E58-0836-05	RECTANGULAR RECEPTACLE	R33		RK73FB2A472J	CHIP R 4.7K J 1/10W KK2E2
WH1 2D		E30-4452-05	CORD WITH PLUG (ANT)	R34		R92-0366-05	CHIP R 560 J 1W M1M3
CF1, 2		L72-0719-05	CERAMIC FILTER KK2M1	R35		RK73FB2A223J	CHIP R 22K J 1/10W M1M3
CF1, 2		L72-0719-05	CERAMIC FILTER M3	R37		RK73FB2A104J	CHIP R 100K J 1/10W
CF1, 2		L72-0720-05	CERAMIC FILTER E2	R38		RK73FB2A223J	CHIP R 22K J 1/10W
L1 -6		L40-4795-34	SMALL FIXED INDUCTOR E2	R39, 40		RK73FB2A123J	CHIP R 12K J 1/10W
L1, 2		L40-4795-34	SMALL FIXED INDUCTOR KK2M1	R41		RK73FB2A562J	CHIP R 5.6K J 1/10W
L1, 2		L40-4795-34	SMALL FIXED INDUCTOR M3	R42		RK73EB2B473J	CHIP R 47K J 1/8W
L4 -6		L40-4795-34	SMALL FIXED INDUCTOR KK2M1	R43		RK73FB2A622J	CHIP R 6.2K J 1/10W
L4 -6		L40-4795-34	SMALL FIXED INDUCTOR M3	R44		RK73EB2B473J	CHIP R 47K J 1/8W
L7		L40-4791-17	SMALL FIXED INDUCTOR(4.7UH, K)	R45		RD14DB2H332J	SMALL-RD 3.3K J 1/2W
L8		L33-1039-05	LINE FILTER COIL	R46		RK73FB2A473J	CHIP R 47K J 1/10W
L9		L40-2205-34	SMALL FIXED INDUCTOR(22UH)	R47		RK73FB2A471J	CHIP R 470 J 1/10W
T1		L30-0730-05	FM IFT	R48		RK73FB2A104J	CHIP R 100K J 1/10W
X1		L77-1163-05	CRYSTAL RESONATOR(4.5M)	R49		RK73FB2A334J	CHIP R 330K J 1/10W
X1		L77-1165-05	CRYSTAL RESONATOR(4.5MHZ)	R50		RK73FB2A104J	CHIP R 100K J 1/10W
X2		L78-0545-05	RESONATOR (CSB456FB38, AN)	R51 -53		RK73FB2A102J	CHIP R 1.0K J 1/10W
X3		L77-2002-05	CRYSTAL RESONATOR KE2	R54		RK73FB2A222J	CHIP R 2.2K J 1/10W
A 2D		N83-3005-46	PAN HEAD TAPITE SCREW	R55		RK73FB2A102J	CHIP R 1.0K J 1/10W
L 2D		N83-3020-46	PAN HEAD TAPITE SCREW	R56		RK73FB2A104J	CHIP R 100K J 1/10W E2
N 2D		N64-3010-46	PAN HEAD SEMS SCREW	R56 -58		RK73FB2A104J	CHIP R 100K J 1/10W KK2M1
P 2D		N30-3005-46	PAN HEAD MACHINE SCREW	R59		RK73FB2A102J	CHIP R 1.0K J 1/10W M3
CP1		R90-0724-05	MULTI-COMP 1K X4	R59		RK73FB2A102J	CHIP R 1.0K J 1/10W M3
CP2		R90-0725-05	MULTI-COMP 1K X2	R60		RK73FB2A103J	CHIP R 10K J 1/10W
CP3		R90-1015-05	MULTIPLE RESISTOR	R61 -63		RK73FB2A222J	CHIP R 2.2K J 1/10W KE2
CP4 -7		R90-0725-05	MULTI-COMP 1K X2	R64		RK73FB2A104J	CHIP R 100K J 1/10W
R1		RK73FB2A223J	CHIP R 22K J 1/10W	R65		RK73FB2A222J	CHIP R 2.2K J 1/10W E2
R2		RK73FB2A101J	CHIP R 100 J 1/10W	R66		RK73FB2A102J	CHIP R 1.0K J 1/10W
R3		RK73EB2B221J	CHIP R 220 J 1/8W	R68		RK73FB2A104J	CHIP R 100K J 1/10W M3
R4		R92-2046-05	CHIP R 4.3K D 1/10W	R68, 69		RK73FB2A104J	CHIP R 100K J 1/10W K2
R5		R92-2039-05	CHIP R 24K D 1/10W	R69, 70		RK73FB2A104J	CHIP R 100K J 1/10W K
R6		RK73FB2A153J	CHIP R 15K J 1/10W	R70		RK73FB2A104J	CHIP R 100K J 1/10W E2
R7		RK73FB2A152J	CHIP R 1.5K J 1/10W	R70 -72		RK73FB2A104J	CHIP R 100K J 1/10W M1
R8		RK73FB2A102J	CHIP R 1.0K J 1/10W	R71, 72		RK73FB2A104J	CHIP R 100K J 1/10W M3
R9, 10		RK73FB2A470J	CHIP R 47 J 1/10W	R72		RK73FB2A104J	CHIP R 100K J 1/10W KK2E2
R11		RK73FB2A332J	CHIP R 3.3K J 1/10W	R73		RK73FB2A470J	CHIP R 47 J 1/10W
R12		RK73FB2A104J	CHIP R 100K J 1/10W	R74		RK73FB2A222J	CHIP R 2.2K J 1/10W
				R76		RK73FB2A222J	CHIP R 2.2K J 1/10W
				R78, 79		RK73FB2A102J	CHIP R 1.0K J 1/10W

K: KDC-9007 **M1:** KDC-9008 **K2:** KDC-7007

M3: KDC-7008 **E2:** KDC-7050R

△ indicates safety critical components.

KDC-9007/7050R

PARTS LIST

* New Parts

Parts without **Parts No.** are not supplied.

Les articles non mentionnés dans le **Parts No.** ne sont pas fournis.

Teile ohne **Parts No.** werden nicht geliefert.

ELECTRIC UNIT (X25-781X-XX)

K : 0-10 M1 : 0-12 K2 : 0-21 M3 : 0-23 E2 : 2-72

Ref No.	New	Parts No.	Description/Destination	Ref No.	New	Parts No.	Description/Destination
R82		RK73EB2B102J	CHIP R 1.0K J 1/8W KK2M1	R167		RK73EB2B472J	CHIP R 4.7K J 1/8W
R82		RK73EB2B102J	CHIP R 1.0K J 1/8W M3	R168-170		RK73EB2B102J	CHIP R 1.0K J 1/8W
R83		RK73EB2B472J	CHIP R 4.7K J 1/8W	R171		RK73EB2B470J	CHIP R 47 J 1/8W
R85		RK73FB2A223J	CHIP R 22K J 1/10W	R172		RK73EB2B102J	CHIP R 1.0K J 1/8W
R86		RK73FB2A472J	CHIP R 4.7K J 1/10W	R173		RK73EB2B470J	CHIP R 47 J 1/8W
R87		R92-2063-05	CHIP R 680 J 1/2W	R174		RK73EB2B102J	CHIP R 1.0K J 1/8W
R88		RK73FB2A104J	CHIP R 100K J 1/10W	R175		RK73EB2B100J	CHIP R 10 J 1/8W
R89		RK73FB2A102J	CHIP R 1.0K J 1/10W	R176		RK73EB2B47J	CHIP R 4.7 J 1/8W
R90		RK73FB2A470J	CHIP R 47 J 1/10W	R177		RK73EB2B100J	CHIP R 10 J 1/8W
R91		RK73FB2A223J	CHIP R 22K J 1/10W	R200, 201		RK73FB2A622J	CHIP R 6.2K J 1/10W
R92		RK73FB2A104J	CHIP R 100K J 1/10W	R203		RK73FB2A332J	CHIP R 3.3K J 1/10W
R93		RK73FB2A102J	CHIP R 1.0K J 1/10W	R205, 206		RK73FB2A102J	CHIP R 1.0K J 1/10W
R94		RK73FB2A223J	CHIP R 22K J 1/10W	R207		R92-2029-05	CHIP R 2.0K D 1/10W
R96		RK73FB2A102J	CHIP R 1.0K J 1/10W	R208		R92-2025-05	CHIP R 180 D 1/10W
R97		RK73FB2A223J	CHIP R 22K J 1/10W	R209		RK73FB2A393J	CHIP R 39K J 1/10W KK2M1
R99		RK73FB2A222J	CHIP R 2.2K J 1/10W	R209		RK73FB2A393J	CHIP R 39K J 1/10W M3
R100		RK73FB2A472J	CHIP R 4.7K J 1/10W E2	R210		RK73FB2A154J	CHIP R 150K J 1/10W KK2M1
R101		RK73FB2A222J	CHIP R 2.2K J 1/10W	R210		RK73FB2A154J	CHIP R 150K J 1/10W M3
R102		RK73FB2A472J	CHIP R 4.7K J 1/10W	R210		RK73FB2A184J	CHIP R 180K J 1/10W E2
R103		RK73FB2A222J	CHIP R 2.2K J 1/10W	R211, 212		RK73FB2A104J	CHIP R 100K J 1/10W
R104		RK73FB2A103J	CHIP R 10K J 1/10W	R213		RK73FB2A683J	CHIP R 68K J 1/10W
R105		RK73FB2A223J	CHIP R 22K J 1/10W	R214		RK73FB2A183J	CHIP R 18K J 1/10W
R106		RK73FB2A472J	CHIP R 4.7K J 1/10W	R215		RK73FB2A753J	CHIP R 75K J 1/10W E2
R109		RK73FB2A102J	CHIP R 1.0K J 1/10W	R216		RK73FB2A182J	CHIP R 1.8K J 1/10W E2
R110		RK73FB2A562J	CHIP R 5.6K J 1/10W E2	R217		RK73FB2A161J	CHIP R 160 J 1/10W E2
R111		RK73FB2A101J	CHIP R 100 J 1/10W	R218, 219		RK73FB2A103J	CHIP R 10K J 1/10W E2
R113		RK73FB2A104J	CHIP R 100K J 1/10W KM1	R220		RK73FB2A823J	CHIP R 82K J 1/10W E2
R114		RK73FB2A104J	CHIP R 100K J 1/10W K2M3	R221		RK73FB2A153J	CHIP R 15K J 1/10W E2
R117		RK73FB2A472J	CHIP R 4.7K J 1/10W	R222		RK73FB2A103J	CHIP R 10K J 1/10W E2
R118		RK73FB2A222J	CHIP R 2.2K J 1/10W	R223		RK73FB2A562J	CHIP R 5.6K J 1/10W E2
R119, 120		RK73FB2A104J	CHIP R 100K J 1/10W	R224		RK73FB2A103J	CHIP R 10K J 1/10W E2
R123		RK73FB2A163J	CHIP R 16K J 1/10W	R225		RK73FB2A104J	CHIP R 100K J 1/10W E2
R124		RK73FB2A183J	CHIP R 18K J 1/10W	R226		RK73FB2A103J	CHIP R 10K J 1/10W E2
R130		RK73FB2A680J	CHIP R 68 J 1/10W E2	R231, 232		RK73FB2A361J	CHIP R 360 J 1/10W
R132		RK73FB2A222J	CHIP R 2.2K J 1/10W E2	R233, 234		RK73FB2A223J	CHIP R 22K J 1/10W
R133		RK73FB2A223J	CHIP R 22K J 1/10W E2	R235, 236		RK73FB2A104J	CHIP R 100K J 1/10W KM1
R134		RK73FB2A101J	CHIP R 100 J 1/10W E2	R237, 238		RK73FB2A153J	CHIP R 15K J 1/10W KM1
R135		RK73FB2A562J	CHIP R 5.6K J 1/10W E2	R239, 240		RK73FB2A223J	CHIP R 22K J 1/10W KM1
R136		RK73FB2A332J	CHIP R 3.3K J 1/10W E2	R241, 242		RK73FB2A820J	CHIP R 82 J 1/10W KM1
R137		RK73FB2A102J	CHIP R 1.0K J 1/10W KK2M1	R243, 244		RK73FB2A361J	CHIP R 360 J 1/10W
R137		RK73FB2A102J	CHIP R 1.0K J 1/10W M3	R245, 246		RK73FB2A223J	CHIP R 22K J 1/10W
R137		RK73FB2A222J	CHIP R 2.2K J 1/10W E2	R247, 248		RK73FB2A104J	CHIP R 100K J 1/10W KM1
R138		RK73FB2A302J	CHIP R 3.0K J 1/10W E2	R249, 250		RK73FB2A153J	CHIP R 15K J 1/10W KM1
R139		RK73FB2A472J	CHIP R 4.7K J 1/10W E2	R251, 252		RK73FB2A223J	CHIP R 22K J 1/10W KM1
R139		RK73FB2A561J	CHIP R 560 J 1/10W KK2M1	R253, 254		RK73FB2A820J	CHIP R 82 J 1/10W KM1
R139		RK73FB2A561J	CHIP R 560 J 1/10W M3	R255		RK73FB2A103J	CHIP R 10K J 1/10W
R140		RK73EB2B751J	CHIP R 750 J 1/8W	R256		RK73FB2A223J	CHIP R 22K J 1/10W
R141		RK73FB2A331J	CHIP R 330 J 1/10W KK2M1	R257-260		RK73FB2A472J	CHIP R 4.7K J 1/10W
R141		RK73FB2A331J	CHIP R 330 J 1/10W M3	R262		RK73FB2A154J	CHIP R 150K J 1/10W
R142		RK73FB2A331J	CHIP R 330 J 1/10W E2	R263		RK73FB2A751J	CHIP R 750 J 1/10W
R143		RK73FB2A104J	CHIP R 100K J 1/10W	R264		RK73FB2A431J	CHIP R 430 J 1/10W
R144, 145		RK73EB2B104J	CHIP R 100K J 1/8W	R265-268		RK73FB2A223J	CHIP R 22K J 1/10W KM1
R146-148		RK73FB2A222J	CHIP R 2.2K J 1/10W	R265-268		RK73FB2A472J	CHIP R 4.7K J 1/10W K2M3E2
R158		RK73EB2B472J	CHIP R 4.7K J 1/8W	R301		RK73FB2A682J	CHIP R 6.8K J 1/10W
R164, 165		R92-2104-05	CHIP R 2.2 J 1W	R302		RK73FB2A222J	CHIP R 2.2K J 1/10W E2

K : KDC-9007 M1 : KDC-9008 K2 : KDC-7007

M3 : KDC-7008 E2 : KDC-7050R

△ indicates safety critical components.

KDC-9007/7050R

PARTS LIST

* New Parts

Parts without **Parts No.** are not supplied.

Les articles non mentionnés dans le **Parts No.** ne sont pas fournis.

Teile ohne **Parts No.** werden nicht geliefert.

ELECTRIC UNIT (X25-781X-XX)

K : 0-10 M1 : 0-12 K2 : 0-21 M3 : 0-23 E2 : 2-72

Ref No.	New	Parts No.	Description/Destination	Ref No.	New	Parts No.	Description/Destination
R303		RK73FB2A682J	CHIP R 6.8K J 1/10W	D2		AM01Z	DIODE
R304		RK73FB2A472J	CHIP R 4.7K J 1/10W	D2		ERA15-01	DIODE
R305		RK73FB2A222J	CHIP R 2.2K J 1/10W E2	D3		UZL-6(M1)	ZENER DIODE
R306		RK73FB2A103J	CHIP R 10K J 1/10W	D4		UZL-9(L1)	ZENER DIODE
R307, 308		RK73EB2B102J	CHIP R 1.0K J 1/8W	D5		UZ-11BS(B)	ZENER DIODE
R309		RK73FB2A472J	CHIP R 4.7K J 1/10W	D6		MA3220H	ZENER DIODE
R310		RK73FB2A102J	CHIP R 1.0K J 1/10W	D7		UZL-11(M3)	ZENER DIODE
R311		RK73FB2A222J	CHIP R 2.2K J 1/10W	D8		UZL-6(M1)	ZENER DIODE
R312, 313		RK73FB2A223J	CHIP R 22K J 1/10W	D9	,10	DA204K	DIODE
R314		RK73FB2A183J	CHIP R 18K J 1/10W KK2M1	D11		1SS133	DIODE
R314		RK73FB2A183J	CHIP R 18K J 1/10W M3	D12 ,13		AM01Z	DIODE
R314		RK73FB2A203J	CHIP R 20K J 1/10W E2	D12 ,13		ERA15-01	DIODE
R315		RK73FB2A153J	CHIP R 15K J 1/10W	D13		AM01Z	DIODE
R316		RK73FB2A473J	CHIP R 47K J 1/10W	D13		ERA15-01	DIODE
R317		RK73FB2A562J	CHIP R 5.6K J 1/10W	D14		MA3047M	ZENER DIODE
R318		RK73FB2A472J	CHIP R 4.7K J 1/10W	D14		MA3047M	ZENER DIODE
R319		RK73EB2B2R2J	CHIP R 2.2 J 1/8W	D15 ,16		UZL-6(M1)	ZENER DIODE
R320		RK73FB2A393J	CHIP R 39K J 1/10W	D17		DAN202K	DIODE
R321		RK73FB2A103J	CHIP R 10K J 1/10W	D17		MA152WK	DIODE
R322		RK73FB2A680J	CHIP R 68 J 1/10W	D18 -21		UZMA6.2F	ZENER DIODE
R323		RK73FB2A473J	CHIP R 47K J 1/10W	D22		DAN202K	DIODE
R324		RK73FB2A472J	CHIP R 4.7K J 1/10W KE2	D22		MA152WK	DIODE
R325		RK73FB2A222J	CHIP R 2.2K J 1/10W KE2	D23		DA204K	DIODE
R326		RK73FB2A102J	CHIP R 1.0K J 1/10W KE2	D30		DA204K	DIODE
R327		RK73FB2A101J	CHIP R 100 J 1/10W E2	D31		MA3068M	ZENER DIODE
R328		RK73FB2A151J	CHIP R 150 J 1/10W	D50 ,51		DAN202K	DIODE
R329		RK73FB2A103J	CHIP R 10K J 1/10W	D50 ,51		MA152WK	DIODE
R330		RK73FB2A682J	CHIP R 6.8K J 1/10W	D52		UZMA6.8F	ZENER DIODE
R331		RK73FB2A102J	CHIP R 1.0K J 1/10W	D53 ,54		DAP202K	DIODE
R332		RK73FB2A562J	CHIP R 5.6K J 1/10W	D53 ,54		MA152WA	DIODE
R333		RK73FB2A331J	CHIP R 330 J 1/10W	D55		DAN202K	DIODE
R334		RK73FB2A153J	CHIP R 15K J 1/10W KK2M1	D55		MA152WK	DIODE
R334		RK73FB2A153J	CHIP R 15K J 1/10W M3	D60		DAP202K	DIODE
R334		RK73FB2A473J	CHIP R 47K J 1/10W E2	D60		MA152WA	DIODE
R335		RK73FB2A223J	CHIP R 22K J 1/10W	D61		DAN202K	DIODE
R336		RK73FB2A513J	CHIP R 51K J 1/10W	D61		MA152WK	DIODE
R337		RK73FB2A221J	CHIP R 220 J 1/10W E2	IC1		178016BGC519	MI-COM IC
R338		RK73FB2A561J	CHIP R 560 J 1/10W E2	IC1		178016BGC519	MI-COM IC
R339		RK73FB2A560J	CHIP R 56 J 1/10W E2	IC1		178018BGC514	MI-COM IC
R340		RK73FB2A222J	CHIP R 2.2K J 1/10W E2	IC2		TDA7420	ANALOGUE IC
R341		RK73FB2A331J	CHIP R 330 J 1/10W E2	IC3		HD74HC27FP	MOS-IC
VR1		R32-0212-05	SEMI FIXED VARIABLE RESISTOR	IC4		TDA7384A	ANALOGUE IC
W1 -17		R92-2052-05	CHIP R 0 J 1/10W K2	IC6		M5237ML	IC(VOLTAGE REGULATOR)
W1 -21		R92-2052-05	CHIP R 0 J 1/10W M3	IC7		KKZ01F	CUSTOM IC
W1 -9		R92-2052-05	CHIP R 0 J 1/10W KM1	IC8		TC7660SE0A	ANALOGUE IC
W4 -18		R92-2052-05	CHIP R 0 J 1/10W E2	IC9		TC4W66F	IC
W18 -21		R92-2052-05	CHIP R 0 J 1/10W M1	IC10, 11		NJM4565M-TE2	ANALOGUE IC
W19 -21		R92-2052-05	CHIP R 0 J 1/10W KK2	IC12		BA6219BFP-Y	ANALOGUE IC
W22 -24		R92-2052-05	CHIP R 0 J 1/10W E2	IC13		SAA6579T	IC
W24		R92-2052-05	CHIP R 0 J 1/10W KK2M1	IC14		LA1145M	ANALOGUE IC
W24		R92-2052-05	CHIP R 0 J 1/10W M3	Q1		2SB1565F(E,F)	TRANSISTOR
PH1		T95-0231-05	OPTO ISOLATOR	Q2		2SC2412K	TRANSISTOR
D1		RM10ZLF	DIODE	Q2		2SD601A	TRANSISTOR
				Q3		2SA1037K	TRANSISTOR
				Q4		DTC124BK	DIGITAL TRANSISTOR

K:KDC-9007 M1:KDC-9008 K2:KDC-7007

M3:KDC-7008 E2:KDC-7050R

△ indicates safety critical components.

KDC-9007/7050R

PARTS LIST

* New Parts

Parts without **Parts No.** are not supplied.

Les articles non mentionnés dans le **Parts No.** ne sont pas fournis.

Teile ohne **Parts No.** werden nicht geliefert.

ELECTRIC UNIT (X25-781X-XX)

K : 0-10 M1 : 0-12 K2 : 0-21 M3 : 0-23 E2 : 2-72

CD PLAYER UNIT (X32-4280-00)

Ref No.	New	Parts No.	Description/Destination	Ref No.	New	Parts No.	Description/Destination
Q4		UN2212	DIGITAL TRANSISTOR	Q60		DTC124EK	DIGITAL TRANSISTOR
Q5		2SB1184	TRANSISTOR	Q60		UN2212	DIGITAL TRANSISTOR
Q6		DTC114YK	DIGITAL TRANSISTOR	Q61		2SC2412K	TRANSISTOR
Q6		UN2214	DIGITAL TRANSISTOR	Q61		2SC2412K	TRANSISTOR
Q7		2SB1443	TRANSISTOR	Q61		2SD601A	TRANSISTOR
Q8		2SD2396F40	TRANSISTOR	Q61		2SD601A	TRANSISTOR
Q9		DTC144EK	DIGITAL TRANSISTOR	Q62		2SC2412K	TRANSISTOR
Q9		UN2213	DIGITAL TRANSISTOR	Q62		2SD601A	TRANSISTOR
Q10		DTA124EK	DIGITAL TRANSISTOR	Q64	-67	2SC2412K	TRANSISTOR
Q10		UN2112	DIGITAL TRANSISTOR	Q64	-67	2SD2114K	TRANSISTOR
Q11		2SB1443	TRANSISTOR	Q64	-67	2SD601A	TRANSISTOR
Q12		2SC2412K	TRANSISTOR	Q70	,71	DTC124EK	DIGITAL TRANSISTOR
Q12		2SD601A	TRANSISTOR	Q70	,71	UN2212	DIGITAL TRANSISTOR
Q13		2SB1184	TRANSISTOR	Q72		2SC2412K	TRANSISTOR
Q14		2SC2412K	TRANSISTOR	Q72		2SD601A	TRANSISTOR
Q14		2SD601A	TRANSISTOR	Q74		DTA124EK	DIGITAL TRANSISTOR
Q17		2SB1443	TRANSISTOR	Q74		UN2112	DIGITAL TRANSISTOR
Q18		2SC2412K	TRANSISTOR	Q75		2SC2412K	TRANSISTOR
Q18		2SD601A	TRANSISTOR	Q75		2SD601A	TRANSISTOR
Q21		2SC2412K	TRANSISTOR	Q76		DTC124EK	DIGITAL TRANSISTOR
Q21		2SD601A	TRANSISTOR	Q76		UN2212	DIGITAL TRANSISTOR
Q22	,23	2SA1037K	TRANSISTOR	Q77		2SB1277(Q,R)	TRANSISTOR
Q24	-26	2SC2412K	TRANSISTOR	Q78		DTC114TK	DIGITAL TRANSISTOR
Q24	-26	2SD601A	TRANSISTOR	Q78		UN2215	DIGITAL TRANSISTOR
Q27		2SB1443	TRANSISTOR	Q79		2SB1277(Q,R)	TRANSISTOR
Q28		2SA1037K	TRANSISTOR	Q80		DTB123YK	DIGITAL TRANSISTOR
Q29	,30	DTC114EK	DIGITAL TRANSISTOR	Q82		2SC2412K	TRANSISTOR
Q29	,30	UN2211	DIGITAL TRANSISTOR	Q82		2SD601A	TRANSISTOR
Q30		DTC114EK	DIGITAL TRANSISTOR	Q82	,83	2SC2412K	TRANSISTOR
Q30		UN2211	DIGITAL TRANSISTOR	Q82	,83	2SD601A	TRANSISTOR
Q31		DTA124EK	DIGITAL TRANSISTOR	Q84		DTC114TK	DIGITAL TRANSISTOR
Q31		UN2112	DIGITAL TRANSISTOR	Q84		UN2215	DIGITAL TRANSISTOR
Q32		2SA1037K	TRANSISTOR	Q85		DTA144EK	DIGITAL TRANSISTOR
Q33	,34	2SB1277(Q,R)	TRANSISTOR	Q85		UN2113	DIGITAL TRANSISTOR
Q34		2SB1277(Q,R)	TRANSISTOR	Q86		2SC2412K	TRANSISTOR
Q35	,36	2SC2412K	TRANSISTOR	Q86		2SD601A	TRANSISTOR
Q35	,36	2SD601A	TRANSISTOR	TH1		NT732ATD33KJ	THERMISTOR
Q37		DTA124EK	DIGITAL TRANSISTOR	A1		W02-1523-05	FM/AM FRONT-END
Q37		UN2112	DIGITAL TRANSISTOR	A1		W02-1524-05	FM/AM FRONT-END
Q38		DTC144EK	DIGITAL TRANSISTOR	A1		W02-1524-05	FM/AM FRONT-END
Q38		UN2213	DIGITAL TRANSISTOR	CD PLAYER UNIT (X32-4280-00)			
Q39		DTC124EK	DIGITAL TRANSISTOR	C1	,2	CK73EB1C105K	CHIP C
Q39		UN2212	DIGITAL TRANSISTOR	C3	,4	C92-0509-05	CHIP-TAN
Q40		DTA124EK	DIGITAL TRANSISTOR	C5		CC73FCH1H220J	CHIP C
Q40		UN2112	DIGITAL TRANSISTOR	C6		CC73FCH1H020C	CHIP C
Q41		DTC124EK	DIGITAL TRANSISTOR	C7		CK73FB1C104K	CHIP C
Q41		UN2212	DIGITAL TRANSISTOR	C8		CK73EB1C105K	CHIP C
Q42		DTA124EK	DIGITAL TRANSISTOR	C9		CC73FCH1H101J	CHIP C
Q42		UN2112	DIGITAL TRANSISTOR	C10		CK73FB1H682K	CHIP C
Q50		DTC144EK	DIGITAL TRANSISTOR	C11	,12	CK73FB1H222K	CHIP C
Q50		UN2213	DIGITAL TRANSISTOR	C13		CK73FB1E273KTA	CHIP C
Q51		2SA1037K	TRANSISTOR	C14		CK73FB1H472K	CHIP C
Q52		2SK536	FET	C15		CK73FB1E473KTA	CHIP C
Q52		2SK536	FET	C16		CC73FCH1H101J	CHIP C
Q52	,53	2SK536	FET				

K : KDC-9007 M1 : KDC-9008 K2 : KDC-7007

M3 : KDC-7008 E2 : KDC-7050R

△ indicates safety critical components.

KDC-9007/7050R

PARTS LIST

* New Parts

Parts without **Parts No.** are not supplied.

Les articles non mentionnés dans le **Parts No.** ne sont pas fournis.

Teile ohne **Parts No.** werden nicht geliefert.

CD PLAYER UNIT (X32-4280-00)

Ref No.	New	Parts No.	Description/Destination	Ref No.	New	Parts No.	Description/Destination
C17		CK73FB1H222K	CHIP C 2200PF K	R36		RK73FB2A111J	CHIP R 110 J 1/10W
C18		CC73FCH1H391J	CHIP C 390PF J	R37		RK73FB2A471J	CHIP R 470 J 1/10W
C19 ,20		CK73FB1C104K	CHIP C 0.10UF K	R38		RK73FB2A224J	CHIP R 220K J 1/10W
C21		C92-0509-05	CHIP-TAN 10UF 6.3WV	R39		RK73FB2A102J	CHIP R 1.0K J 1/10W
C22		CK73FB1C104K	CHIP C 0.10UF K	R41		RK73FB2A101J	CHIP R 100 J 1/10W
C23		CK73FB1H102K	CHIP C 1000PF K	R42		RK73FB2A104J	CHIP R 100K J 1/10W
C24		CK73FB1H223KTA	CHIP C 0.022UF K	R43		RK73FB2A101J	CHIP R 100 J 1/10W
C25		CK73FB1H123K	CHIP C 0.012UF K	R44		RK73FB2A102J	CHIP R 1.0K J 1/10W
C26		CK73FB1C104K	CHIP C 0.10UF K	R45		RK73FB2A103J	CHIP R 10K J 1/10W
C27		CC73FCH1H101J	CHIP C 100PF J	R46		RK73FB2A102J	CHIP R 1.0K J 1/10W
C28		CK73EB1C105K	CHIP C 1.0UF K	R47		RK73FB2A103J	CHIP R 10K J 1/10W
C31		CK73EB1C105K	CHIP C 1.0UF K	R48 -50		RK73FB2A472J	CHIP R 4.7K J 1/10W
C41		C92-1335-05	ELECTRO 4.7UF 16WV	R51		RK73FB2A101J	CHIP R 100 J 1/10W
C42		CK73EB1H104K	CHIP C 0.10UF K	R52		RK73FB2A104J	CHIP R 100K J 1/10W
C43		CK73FB1H123K	CHIP C 0.012UF K	R53		RK73FB2A101J	CHIP R 100 J 1/10W
C44		CK73FB1C104K	CHIP C 0.10UF K	R54		RK73FB2A104J	CHIP R 100K J 1/10W
C45		CK73FB1H223KTA	CHIP C 0.022UF K	R55		RK73FB2A101J	CHIP R 100 J 1/10W
C51		CK73EB1C105K	CHIP C 1.0UF K	R56		RK73FB2A104J	CHIP R 100K J 1/10W
C53		C92-0509-05	CHIP-TAN 10UF 6.3WV	R57		RK73FB2A472J	CHIP R 4.7K J 1/10W
C54		CK73FB1C104K	CHIP C 0.10UF K	R58 -64		RK73FB2A101J	CHIP R 100 J 1/10W
C55 ,56		CK73EB1C105K	CHIP C 1.0UF K	R65 ,66		RK73FB2A472J	CHIP R 4.7K J 1/10W
C57 ,58		CK73FB1C224K	CHIP C 0.22UF K	R67		RK73FB2A101J	CHIP R 100 J 1/10W
C61 ,62		CC73FCH1H471J	CHIP C 470PF J	R68		RK73FB2A104J	CHIP R 100K J 1/10W
C63 ,64		CC73FCH1H680J	CHIP C 68PF J	R69		RK73FB2A101J	CHIP R 100 J 1/10W
C65 ,66		CK73FB1H222K	CHIP C 2200PF K	R71		RK73FB2A752J	CHIP R 7.5K J 1/10W
CN1		E40-9536-05	FLAT CABLE CONNECTOR	R72		RK73FB2A102J	CHIP R 1.0K J 1/10W
CN2		E40-9339-05	FLAT CABLE CONNECTOR	R73		RK73FB2A333J	CHIP R 33K J 1/10W
L1		L40-1001-31	SMALL FIXED INDUCTOR(10UH)	R74		RK73FB2A123J	CHIP R 12K J 1/10W
X1		L78-0620-05	RESONATOR	R75		RK73FB2A273J	CHIP R 27K J 1/10W
X2		L78-0528-05	RESONATOR	R76		RK73FB2A512J	CHIP R 5.1K J 1/10W
R1		RK73FB2A243J	CHIP R 24K J 1/10W	R77		RK73FB2A393J	CHIP R 39K J 1/10W
R2		RK73FB2A183J	CHIP R 18K J 1/10W	R78		RK73FB2A153J	CHIP R 15K J 1/10W
R3		RK73FB2A154J	CHIP R 150K J 1/10W	R79		RK73FB2A202J	CHIP R 2.0K J 1/10W
R4		RK73FB2A155J	CHIP R 1.5M J 1/10W	R80		RK73FB2A162J	CHIP R 1.6K J 1/10W
R5		RK73FB2A910J	CHIP R 91 J 1/10W	R81		RK73FB2A273J	CHIP R 27K J 1/10W
R6		RK73FB2A154J	CHIP R 150K J 1/10W	R82		RK73FB2A562J	CHIP R 5.6K J 1/10W
R7		RK73FB2A155J	CHIP R 1.5M J 1/10W	R83		RK73FB2A561J	CHIP R 560 J 1/10W
R8		RK73EB2B4R7J	CHIP R 4.7 J 1/8W	R91 ,92		RK73FB2A332J	CHIP R 3.3K J 1/10W
R9		RK73EB2B100J	CHIP R 10 J 1/8W	R93 ,94		RK73FB2A562J	CHIP R 5.6K J 1/10W
R10 ,11		RK73FB2A912J	CHIP R 9.1K J 1/10W	R95 ,96		RK73FB2A203J	CHIP R 20K J 1/10W
R12		RK73FB2A562J	CHIP R 5.6K J 1/10W	R101-106		RK73FB2A203J	CHIP R 20K J 1/10W
R13		RK73FB2A683J	CHIP R 68K J 1/10W	R107,108		RK73FB2A681J	CHIP R 680 J 1/10W
R14 ,15		RK73FB2A824J	CHIP R 820K J 1/10W	W1		R92-2052-05	CHIP R 0 J 1/10W
R16		RK73FB2A223J	CHIP R 22K J 1/10W	W11 -13		R92-2053-05	CHIP R 0 J 1/8W
R17		RK73FB2A393J	CHIP R 39K J 1/10W	S1 ,2		S68-0822-05	PUSH SWITCH
R18		RK73FB2A392J	CHIP R 3.9K J 1/10W	S3		S68-0823-05	PUSH SWITCH
R19		RK73FB2A333J	CHIP R 33K J 1/10W	D1 ,2		DAN202K	DIODE
R20		RK73FB2A104J	CHIP R 100K J 1/10W	IC1		AN8806SB	ANALOGUE IC
R21		RK73FB2A224J	CHIP R 220K J 1/10W	IC2		MN662747RPH	MOS-IC
R31		RK73FB2A102J	CHIP R 1.0K J 1/10W	IC3		M37471M8-368FP	MI-COM IC
R32		RK73FB2A104J	CHIP R 100K J 1/10W	IC4		BA6790FP	ANALOGUE IC
R33		RK73FB2A155J	CHIP R 1.5M J 1/10W	IC5		TA78L05F	IC(VOLTAGE REGULATOR/ +5V)
R34		RK73FB2A333J	CHIP R 33K J 1/10W	IC6		NJM4565MD	IC(OP AMP X2)
R35		RK73FB2A104J	CHIP R 100K J 1/10W	Q1		2SA1362(Y)	TRANSISTOR

K:KDC-9007 M1:KDC-9008 K2:KDC-7007

M3:KDC-7008 E2:KDC-7050R

△ indicates safety critical components.

PARTS LIST

* New Parts

Parts without **Parts No.** are not supplied.

Les articles non mentionnés dans le **Parts No.** ne sont pas fournis.

Teile ohne **Parts No.** werden nicht geliefert.

CD PLAYER UNIT (X32-4280-00) MECHANISM ASSY (X92-3120-00)

Ref No.	New	Parts No.	Description/Destination
Q2		DTC124EK	DIGITAL TRANSISTOR
Q3	, 4	2SA1362(Y)	TRANSISTOR
Q5		DTC124EK	DIGITAL TRANSISTOR
Q6		2SA1037K	TRANSISTOR
MECHANISM ASSY (X92-3120-00)			
1	2A *	A10-4224-31	CHASSIS
2	1B	A10-4225-13	CHASSIS CALKING ASSY
3	2B *	A11-0915-23	SUB CHASSIS CALKING ASSY
4	3B	D02-0209-03	TURNABLE PLATTER
5	2A	D10-3082-03	ARM
6	2A	D10-3083-14	ARM ASSY
7	2A	D10-3084-14	ARM ASSY
8	3A	D10-3087-24	ARM ASSY
9	2B	D10-3092-03	SLIDER
10	3B	D10-3093-04	SLIDER ASSY
11	2B	D10-3095-04	SLIDER ASSY
12	2B	D10-3096-04	SLIDER ASSY
13	1A	D10-3099-04	SLIDER ASSY
14	1A	D10-3100-04	SLIDER ASSY
15	2A	D10-4003-03	LEVER
16	1B	D10-4004-04	LEVER ASSY
17	1B	D10-4006-04	LEVER
18	1A	D10-4007-04	LEVER
19	2B	D10-4008-04	LEVER
20	2A	D10-4009-03	LEVER
21	3A	D10-4010-04	LEVER
22	3A *	D10-4011-14	LEVER ASSY
23	3A	D10-4013-04	ARM ASSY
24	3B	D10-4050-04	ARM
27	3B	D13-1229-13	RACK (GEAR)
28	3B	D13-1230-14	WORM
29	3B	D13-1231-04	GEAR
30	3A	D13-1232-04	GEAR
31	3B	D13-1233-04	GEAR
32	3B	D13-1234-04	GEAR ASSY
33	3A	D13-1238-03	GEAR
34	3B	D13-1240-04	GEAR
35	3B	D13-1241-04	GEAR
36	3B	D13-1242-04	GEAR
37	1B	D13-1243-04	GEAR
38	1B	D13-1244-04	GEAR
39	1B	D13-1245-14	GEAR
40	2A	D13-1246-04	GEAR
41	2B	D13-1247-04	GEAR
42	2B	D13-1248-04	GEAR
43	2B	D13-1249-04	GEAR ASSY
45	1B	D14-0668-04	ROLLER
46	1A	D14-0670-04	ROLLER
47	3B	D14-0674-04	ROLLER
48	2B *	D19-0613-14	LEAD SCREW
49	3A	D21-2228-04	SHAFT
50	1A	D21-2229-04	SHAFT
51	1A	D23-0925-04	RETAINER
52	2A	D32-0614-04	STOPPER

Ref No.	New	Parts No.	Description/Destination
53	1B	D39-0223-05	DAMPER
54	2B	D39-0224-05	DAMPER
55	3B	F09-1246-04	SHEET (MOTOR)
60	2A	G01-2770-04	EXTENSION SPRING
61	3A	G01-2771-04	EXTENSION SPRING
62	3A	G01-2772-14	EXTENSION SPRING
63	3A	G01-2773-14	EXTENSION SPRING
64	3A *	G01-2774-24	EXTENSION SPRING
65	1B	G01-2775-04	TORSION COIL SPRING
66	1B	G01-2776-14	TORSION COIL SPRING
67	3B *	G01-2777-14	TORSION COIL SPRING
68	3A	G01-2824-14	COMPRESSION SPRING
70	2A	G02-1231-04	FLAT SPRING
71	2B	G02-1232-14	FLAT SPRING
72	2A *	G02-1241-24	FLAT SPRING
73	2A	G02-1248-04	FLAT SPRING
75	2A	J11-0613-03	CLAMPER
76	3A *	J19-4678-13	HOLDER
77	2B *	J19-4679-24	HOLDER
78	3B	J21-7684-03	MOUNTING HARDWARE
79	2A	J21-7686-03	MOUNTING HARDWARE
80	1B	J21-7690-03	MOUNTING HARDWARE
81	3A	J31-1032-04	COLLAR
82	3A	J84-0060-05	FLEXIBLE PRINTED WIRING BOARD
83	1A	J90-0757-12	GUIDE
A	2A	N09-4158-05	MACHINE SCREW (M1.7X2.5E5, カフ)
B	1B	N09-4172-05	TAPPING SCREW (2X3.5, コアイト)
C	2B	N09-4187-05	MACHINE SCREW (M1.7X4, コア, カフ)
D	2A	N38-2020-46	PAN HEAD MACHIN SCREW
E	3A	N82-2006-46	BINDING HEAD TAPTITE SCREW
F	3B	N19-2023-04	FLAT WASHER
G	2A	N19-2058-04	FLAT WASHER
M1	3B	T42-0764-04	DC MOTOR
M2	3B	T42-0763-04	DC MOTOR
PU1	2B	T25-0209-05	OPTICAL PICKUP HEAD

K: KDC-9007 M1: KDC-9008 K2: KDC-7007

M3: KDC-7008 E2: KDC-7050R

△ indicates safety critical components.

KDC-9007/7050R

SPECIFICATIONS

FM tuner section (KDC-9007/9008/7007/7008 only)

Frequency range (Frequency step)
9007/7007 87.9MHz~107.9MHz (200kHz)
9008/7008 87.5MHz~108.0MHz (50kHz)
Channel space selection
9007/7007 200kHz Fix
9008/7008 50kHz/200kHz Switchable
Usable sensitivity (S/N=30dB) 9.3dBf (0.8 μ V/75 Ω)
Quieting sensitivity (S/N=50dB) .. 15.2dBf (1.6 μ V/75 Ω)
Frequency response (\pm 3.0dB) 30Hz~15kHz
Signal to Noise ratio (MONO) 75dB
Selectivity (dB) \geq 80dB (\pm 400kHz)
Stereo separation (1kHz) 40dB

FM tuner section (KDC-7050R only)

Frequency range (Frequency step)
..... 87.5MHz~108.0MHz (50kHz)
Usable sensitivity (S/N=26dB) 0.7 μ V/75 Ω
Quieting sensitivity (S/N=46dB) 1.6 μ V/75 Ω
Frequency response (\pm 3.0dB) 30Hz~15kHz
Signal to Noise ratio (MONO) 68dB
Selectivity (dB) \geq 80dB (\pm 400kHz)
Stereo separation (1kHz) 35dB

AM tuner section (KDC-9007/9008/7007/7008 only)

Frequency range (Frequency step)
9007/7007 530kHz~1700kHz (10kHz)
9008/7008 531kHz~1611kHz (9kHz)
Channel space selection
9007/7007 10kHz fix
9008/7008 9k/10kHz switchable
Usable sensitivity (S/N=20dB) 28dB μ (25 μ V)

MW tuner section (KDC-7050R only)

Frequency range (Frequency step)
..... 531kHz~1611kHz (9kHz)
Usable sensitivity (S/N=20dB) 30 μ V

LW tuner section (KDC-7050R only)

Frequency range (Frequency step) 153kHz~281kHz
Usable sensitivity (S/N=20dB) 45 μ V

CD section

Laser diode GaAlAs (λ =780nm)
Digital filter (D/A) 8 times over sampling
D/A converter 1 Bit
Spindle speed 500~200 (CLV)
Wow & Flutter Below measurable limit
Frequency response (\pm 1dB) 10~20kHz
Total harmonic distortion 0.01% (1kHz)
Signal to Noise ratio (1kHz) 93dB
Dynamic range 93dB
Chanel separation 85dB

Audio section

Preout level (mV)/Load
9007/9008 4000mV/10k Ω
7007/7008/7050R 1800mV/10k Ω
Preout impedance
9007/9008 80 Ω
7007/7008/7050R \leq 600 Ω
Amp power
Max 35W x 4
Fullbandwidth, less than 1% THD 20W x 4
(9007/9008/7007/7008 only)
DIN45324, +B=14.4V 25W x 4
(7050R only)
Tone action
Bass 100Hz \pm 10dB
Treble 10kHz \pm 10dB

General

Operating voltage 14.4V (11~16V allowable)
Current consumption 10A at rated power
Installation size (W x H x D) 182 x 53 x 165 (mm)
7-3/16 x 2-1/16 x 6-1/2 (inch)
Weight (net) 1.8kg (4.0Lbs)

KENWOOD follows a policy of continuous advancements in development. For this reason specifications may be changed without notice.

KENWOOD CORPORATION

14-6, Dogenzaka 1-chome, Shibuya-ku, Tokyo, 150 Japan

KENWOOD SERVICE CORPORATION

P.O. Box 22745, 2201 East Dominguez Street, Long Beach, CA90801-5745, U.S.A.

KENWOOD ELECTRONICS CANADA INC.

6070 Kestrel Road, Mississauga, Ontario, Canada L5T 1S8

KENWOOD ELECTRONICS LATIN AMERICA S.A.

P.O. Box 55-2791, Piso 6, Plaza Chase, Cl. 47 y, Aquilino de la Guardia, Panama, Republic of Panama

KENWOOD ELECTRONICS BRASIL LTDA.

Avenida Incianópolis, 628, 04062-001 Planalto Paulista, São Paulo-SP-Brasil

KENWOOD ELECTRONICS UK LIMITED

Kenwood House, Dwight Road, Watford, Herts, WD1 8EB, United Kingdom

KENWOOD ELECTRONICS DEUTSCHLAND GMBH

Rembrücker-Str. 15, 63150 Heusenstamm, Germany

KENWOOD ELECTRONICS FRANCE S.A.

13, Boulevard Ney, 75018 Paris, France

KENWOOD ELECTRONICS BELGIUM N.V.

Mechelsesteenweg 418, B-1930 Zaventem, Belgium

KENWOOD ELECTRONICS ITALIA S.p.A.

Via G. Sirtori 7/9, 20129 Milano, Italy

KENWOOD IBÉRICA S.A.

Bolivia, 239-08020 Barcelona, Spain

KENWOOD ELECTRONICS AUSTRALIA PTY. LTD. (A.C.N. 001 499 074)

8 Figtree Drive, Australia Centre, Homebush, N.S.W. 2140, Australia

KENWOOD & LEE ELECTRONICS LTD.

Unit 3712-3724, Level 37, Tower 1, Metroplaza, 223 Hing Fong Road, Kwai Fong, N.T., Hong Kong

KENWOOD ELECTRONICS GULF FZE

P.O. Box 61318, Jebel Ali, Dubai, U.A.E.

KENWOOD ELECTRONICS (THAILAND) CO., LTD.

573/111 Soi Ramkhamhaeng 39, Ramkhamhaeng Road, Wangthonglang, Bangkok, 10310 Thailand

KENWOOD ELECTRONICS SINGAPORE PTE. LTD.

1 Genting Lane, #07-00, Kenwood Building, Singapore 349544

KENWOOD ELECTRONICS (MALAYSIA) SDN BHD

#4.01 Level 4, Wisma Academy, Lot 4A, Jalan 19/1, 46300 Petaling Jaya, Selangor Malaysia