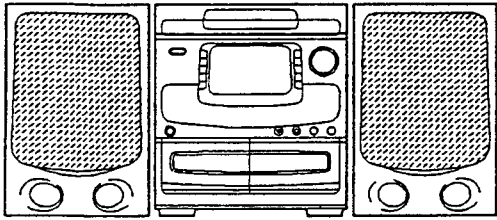


aiwa



CX-N999MK2
SX-N999MK2
CX-N2200
SX-N2200



COMPACT DISC STEREO
CASSETTE RECEIVER

- BASIC TAPE MECHANISM: 2ZM-3PR1N
- BASIC CD MECHANISM: 4ZG-1SDFR

- TYPE. HR.E2.EEZ.EZ.K(999MK2)
LH(2200)

- If requiring information about the CD mechanism, see Service Manual of 4ZG-1S.
(S/M Code No. 09-95C-124-90T).

SERVICE MANUAL

TABLE OF CONTENTS

PROTECTION OF EYES FROM LASER BEAM DURING SERVICING	3
PRECAUTION TO REPLACE OPTICAL BLOCK	3
SPECIFICATIONS	4~5
IC DESCRIPTION	6~7
ELECTRICAL MAIN PARTS LIST, TRANSISTOR ILLUSTRATION	8~13
SCHEMATIC DIAGRAM-1 (MAIN: HR)	14~16
WIRING-1 (MAIN: HR)	17~18
WIRING-2 (MAIN: E2, EZ, EEZ, K)	19~20
SCHEMATIC DIAGRAM-2 (MAIN: E2, EZ, EEZ, K)	21~23
SCHEMATIC DIAGRAM-3 (MAIN: LH)	24~26
WIRING-3 (MAIN: LH)	27~28
WIRING-4 (FRONT)	29~30
SCHEMATIC DIAGRAM-4 (FRONT)	31~33
WIRING-5	34~36
BLOCK DIAGRAM-1 (MAIN / FRONT)	37~38
BLOCK DIAGRAM-2 (TUNER: HR)	39~40
BLOCK DIAGRAM-3 (TUNER: E2, EZ, EEZ, K)	40
BLOCK DIAGRAM-4 (TUNER: LH)	41
IC BLOCK DIAGRAM	42~45
FL (DISPLAY)	46~47
ADJUSTMENT, PRACTICAL SERVICE FIGURE	48~51
MECHANICAL EXPLODED VIEW 1 / 1	52
MECHANICAL PARTS LIST 1 / 1	53
SPRING APPLICATION POSITION	54
TAPE MECHANISM EXPLODED VIEW 1 / 1	55~56
TAPE MECHANISM PARTS LIST 1 / 1	57
SPEAKER DISASSEMBLY INSTRUCTIONS, SPEAKER LIST	58
■ ACCESSORIES / PACKAGE LIST	59
REFERENCE NAME LIST	60

PROTECTION OF EYES FROM LASER BEAM DURING SERVICING

This set employs laser. Therefore, be sure to follow carefully the instructions below when servicing.

WARNING!

WHEN SERVICING, DO NOT APPROACH THE LASER EXIT WITH THE EYE TOO CLOSELY. IN CASE IT IS NECESSARY TO CONFIRM LASER BEAM EMISSION. BE SURE TO OBSERVE FROM A DISTANCE OF MORE THAN 30cm FROM THE SURFACE OF THE OBJECTIVE LENS ON THE OPTICAL PICK-UP BLOCK.



- Caution: Invisible laser radiation when open and interlocks defeated avoid exposure to beam.
- Advarsel: Usynlig laserstråling ved åbning, når sikkerhedsafbrydere er ude af funktion. Undgå udsættelse for stråling.

VAROITUS!

Laiteen Käyttäminen muulla kuin tässä käyttöohjeessa mainituilla tavalla saattaa altistaa käyttäjän turvallisuusluokan 1 ylitävälle näkymättömälle lasersäteilylle.

WARNING!

Om apparaten används på annat sätt än vad som specificeras i denna bruksanvisning, kan användaren utsättas för osynlig laserstråling, som överskrider gränsen för laserklass 1.

CAUTION

Use of controls or adjustments or performance of procedures other than those specified hereif may result in hazardous radiation exposure.

ATTENTION

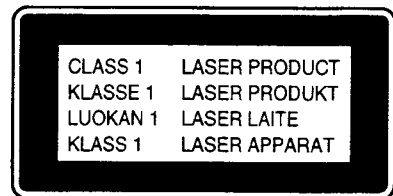
L'utilisation de commandes, réglages ou procédures autres que ceux spécifiés peut entraîner une dangereuse exposition aux radiations.

ADVARSEL!

Usynlig laserstråling ved åbning, når sikkerhedsafbrydere er ude af funktion. Undgå udsættelse for stråling.

This Compact Disc player is classified as a CLASS 1 LASER product.

The CLASS 1 LASER PRODUCT label is located on the rear exterior.

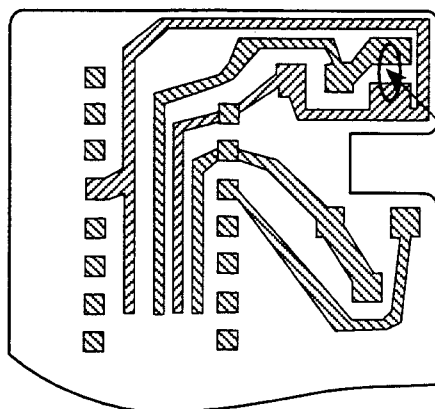


Precaution to replace Optical block (KSS-210A)

Body or clothes electrostatic potential could ruin laser diode in the optical block. Be sure ground body and workbench, and use care the clothes do not touch the diode.

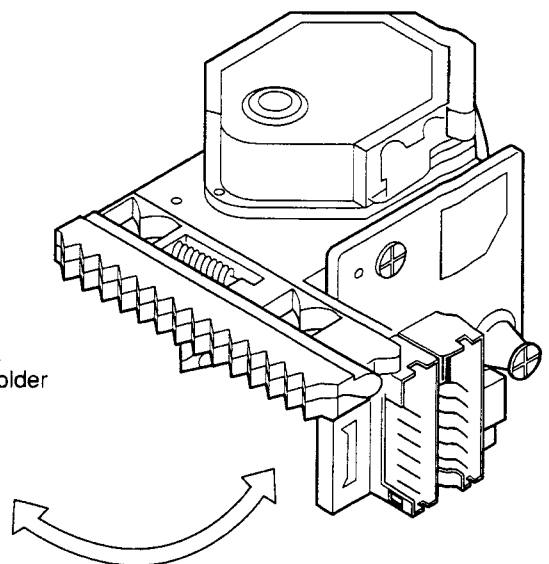
- 1) After the connection, remove solder shown in the right figure.

PICK-UP Assy P.C.B



Solder

CD PICK-UP ASSY



SPECIFICATIONS

HR, LH MODELS

HR MODEL

<FM section>

Frequency range	87.5 MHz to 108 MHz
Usable sensitivity (IHF)	1.3 μ V (75 ohms) 13.2 dBf
Alternate channel selectivity	50 dB (\pm 400 kHz)
Signal-to-noise ratio	STEREO: 70 dB MONO: 76 dB
Harmonic distortion	0.3 % (MONO), 1 kHz 0.5 % (STEREO, L-R), 1 kHz
Frequency response	30 Hz to 15 kHz (+1.5 dB, -3 dB)
Stereo separation	40 dB at 1 kHz
Antenna	75 ohms (unbalanced)

<MW section>

Frequency range	531 (530) kHz to 1602 (1710) kHz
Usable sensitivity	350 μ V/m
Selectivity	22 dB (9 kHz)
Signal-to-noise ratio	53 dB (100 dB input)
Antenna	Loop antenna

<SW section>

Frequency range	SW1: 3.2 MHz to 7.3 MHz SW2: 9.5 MHz to 21.85 MHz
Antenna	Wire antenna

LH MODEL

<FM section>

Frequency range	87.5 MHz to 108 MHz
Usable sensitivity (IHF)	1.3 μ V (75 ohms) 13.2 dBf
Alternate channel selectivity	50 dB (\pm 400 kHz)
Signal-to-noise ratio	STEREO: 70 dB MONO: 76 dB
Harmonic distortion	0.3 % (MONO), 1 kHz 0.5 % (STEREO, L-R), 1 kHz
Frequency response	30 Hz to 15 kHz (+0.5 dB, -3 dB)
Stereo separation	33 dB at 1 kHz
Antenna	75 ohms (unbalanced)

<AM section>

Frequency range	AM 530 (531) kHz to 1710 (1602) kHz
Usable sensitivity	350 μ V/m
Selectivity	22 dB (9 kHz)
Signal-to-noise ratio	53 dB (100 dB input)
Antenna	Loop antenna

<Timer section>

Program timer	On-timer, free setting
Sleep timer	Setting in 10-minute increments, 240 minutes maximum

<Amplifier section>

Power output (w/o surround speakers)	HR: 150 W + 150 W (Rated) (6 ohms, T.H.D. 1 % 1 kHz) 180 W + 180 W (Reference) (6 ohms, T.H.D. 10 % 1 kHz) LH: 180 W + 180 W (6 ohms, T.H.D. 10% 1 kHz)
Harmonic distortion	0.1 % (100 W, 1 kHz, 6 ohms DIN-AUDIO)
Input terminal	HR: VIDEO/AUX: 150 mV (adjustable) LH: VIDEO/AUX: 180 mV (adjustable) MIC: 1.0 mV/10 k Ω SUPER WOOFER: 3.0 V
Output terminal	

<Cassette deck section>

Track format	4 tracks, 2 channels
Frequency response	CrO ₂ tape: 50 - 16000 Hz Normal tape: 50 - 15000 Hz
Signal-to-noise ratio	60 dB (DOLBY NR ON, CrO ₂ tape peak level)
Tape speed	4.8 cm/sec. (1 $\frac{7}{8}$ ips)
Recording system	AC bias
Erasure system	AC erase
Motor	DC servo motor \times 1
Heads	Playback head \times 1 (deck 1) Recording/playback/erasure head \times 1 (deck 2)

<CD player section>

Disc	Compact disc
Scanning method	Non-contact optical scanner (semiconductor laser)
Laser	Semiconductor laser (λ = 780 nm)
Rotation speed	Approx. 500 rpm - 200 rpm (CLV)
Error correction	Cross Interleave, Reed Solomon code
No. of channels	2 channels
D-A converter	1 bit dual
Wow/flutter	Unmeasurable
Signal-to-noise ratio	85 dB (1 kHz, 0 dB)
Harmonic distortion	0.03 % (1 kHz, 0 dB)

SPEAKER SYSTEM

(These values are for one speaker.)

Cabinet type	3 way, bass reflex (magnetism sealed type)
Speaker	160 mm (6 $\frac{3}{8}$ in.) cone type woofer 80 mm (3 $\frac{1}{4}$ in.) cone type tweeter 20 mm (1 $\frac{3}{16}$ in.) ceramic type super tweeter
Impedance	6 ohms
Music power	180 W
Output sound pressure level	87 dB/W/m
Dimensions (W \times H \times D)	250 \times 320 \times 330 mm (9 $\frac{7}{8}$ \times 12 $\frac{5}{8}$ \times 13 in.)
Weight	6.0 kg (13 lbs. 4 oz)

COMMON SECTION

Power requirements	HR: AC 120 V/230 V/240 V, switchable 50/60 Hz LH: AC 120 V/220 V/240 V, switchable 50/60 Hz
Power consumption (System total)	185 W
Dimensions (W \times H \times D)	Main unit: 290 \times 323 \times 340 mm (11 $\frac{1}{2}$ \times 12 $\frac{3}{4}$ \times 13 $\frac{1}{2}$ in.)
Weight	9.7 kg (21 lbs. 6 oz)

E2, EZ, EEZ, K MODELS

<FM section>

Frequency range	87.5 MHz to 108 MHz
Usable sensitivity (IHF)	K: 1.8 μ V (75 ohms) 16.2 dBf E, EEZ, EZ: 1.9 μ V (75 ohms) 16.8 dBf
Alternate channel selectivity	50 dB (\pm 400 kHz)
Signal-to-noise ratio	STEREO: 65 dB MONO: 75 dB
Harmonic distortion	0.3 % (MONO), 1 kHz 0.5 % (STEREO, L-R), 1 kHz
Frequency response	30 Hz to 15 kHz (+0.5 dB, -3 dB)
Stereo separation	33 dB at 1 kHz
Antenna	75 ohms (unbalanced)

<MW section>

Frequency range	531 (530) kHz to 1602 (1710) kHz
Usable sensitivity	350 μ V/m
Selectivity	22 dB (9 kHz)
Signal-to-noise ratio	53 dB (100 dB input)
Antenna	Loop antenna

<LW section>

Frequency range	144 kHz to 290 kHz
Sensitivity	1400 μ V/m
Antenna	Loop antenna

<Timer section>

Program timer	On-timer, free setting
Sleep timer	Setting in 10-minute increments, 240 minutes maximum

<Amplifier section>

Power output (w/o surround speakers)	Rated 150 W + 150 W (1 kHz, 6 ohms, T.H.D. 1%/DIN 45500) Reference 180 W + 180 W (1 kHz, 6 ohms, T.H.D. 10%/DIN 45324) 200 W + 200 W (DIN MUSIC POWER)
Harmonic distortion	0.1 % (100 W, 1 kHz, 6 ohms, DIN-AUDIO)
Input terminal	VIDEO/AUX: 150 mV (adjustable) MIC: 1.0 mV/10 k Ω
Output terminal	SUPER WOOFER : 3.0 V

<Cassette deck section>

Track format	4 tracks, 2 channels
Frequency response	CrO ₂ tape: 50 - 16000 Hz Normal tape: 50 - 15000 Hz
Signal-to-noise ratio	60 dB (DOLBY NR ON, CrO ₂ tape peak level)
Tape speed	4.8 cm/sec. (1 $\frac{7}{8}$ ips)
Recording system	AC bias
Erasure system	AC erase
Motor	DC servo motor \times 1
Heads	Playback head \times 1 (deck 1) Recording/playback/erasure head \times 1 (deck 2)

<CD player section>

Disc	Compact disc
Scanning method	Non-contact optical scanner (semiconductor laser)
Laser	Semiconductor laser ($\lambda = 780$ nm)
Rotation speed	Approx. 500 rpm - 200 rpm (CLV)
Error correction	Cross Interleave, Reed Solomon code
No. of channels	2 channels
D-A converter	1 bit dual
Wow/flutter	Unmeasurable
Signal-to-noise ratio	85 dB (1 kHz, 0 dB)
Harmonic distortion	0.03 % (1 kHz, 0 dB)


SPEAKER SYSTEM

(These values are for one speaker.)

Cabinet type	3 way, bass reflex (magnetism sealed type)
Speaker	160 mm (6 $\frac{3}{8}$ in.) cone type woofer 80 mm (3 $\frac{1}{4}$ in.) cone type tweeter 20 mm (1 $\frac{3}{16}$ in.) ceramic type super tweeter
Impedance	6 ohms
Music power	180 W
Output sound pressure level	87 dB/W/m
Dimensions (W \times H \times D)	250 \times 320 \times 330 mm (9 $\frac{7}{8}$ \times 12 $\frac{5}{8}$ \times 13 in.)
Weight	6.0 kg (13 lbs. 4 oz)

COMMON SECTION

Power requirements	AC 230 V, 50 Hz
Power consumption	820 W
Dimensions of the main unit (W \times H \times D)	290 \times 323 \times 340 mm (11 $\frac{1}{2}$ \times 12 $\frac{3}{4}$ \times 13 $\frac{1}{2}$ in.)
Weight of the main unit	9.7 kg (21 lbs. 6 oz)

- Design and specifications are subject to change without notice.
- Dolby noise reduction manufactured under license from Dolby Laboratories Licensing Corporation. "DOLBY" and the double-D symbol  are trademarks of Dolby Laboratories Licensing Corporation.
- The word "BBE" and the "BBE symbol" are trademarks of BBE Sound, Inc. Under license from BBE Sound, Inc.

IC DESCRIPTION

IC, LC866432V-5819

Pin No.	Pin Name	I/O	Description																																														
1	O-PLLCE	O	PLL IC, chip enable output.																																														
2	—	—	GND.																																														
3	—	—	GND.																																														
4	—	—	GND.																																														
5	O-MUTE	O	System mute $\overline{\text{ON}}$ /OFF output.																																														
6	—	—	GND.																																														
7	I-RESET	I	RESET input terminal.																																														
8	I-HOLD	I	Input when power failure is detected. ("L" level during power failure) "L" = 1																																														
9	I-TUNE/IFC	I	Tuner SD detected input/IF count serial data input.																																														
10	VSS1	—	GND terminal.																																														
11	I-CF1	I	CF1 input terminal.																																														
12	O-CF2	O	CF2 output terminal.																																														
13	VDD1	—	Power supply terminal.																																														
14	—	—	GND.																																														
15	—	—	GND.																																														
16~18	I-KEY1~3	I	Key 1~3 input to A/D.																																														
19	I-MS	I	Deck MS detected input to A/D.																																														
20	I-SPEANA	I	Spectrum analyzer level data input to A/D.																																														
21	I-MIC	I	Mic level input to A/D for auto vocal fader.																																														
22	I-REQ	I	CD REQ CONT.																																														
23	I-ST (TU)	I	Tuner stereo detected input.																																														
24	I-RMC	I	System remote control input (Active low).																																														
25, 26, 27	O-Ga, O-Gb, O-Gc	O	FL grid output (G1 to G7).																																														
			<table border="1"> <thead> <tr> <th></th> <th>Gc</th> <th>Gb</th> <th>Ga</th> <th></th> <th></th> <th>Gc</th> <th>Gb</th> <th>Ga</th> <th></th> </tr> </thead> <tbody> <tr> <td>0</td> <td>0</td> <td>0</td> <td>OFF</td> <td></td> <td>1</td> <td>0</td> <td>0</td> <td>G4</td> </tr> <tr> <td>0</td> <td>0</td> <td>1</td> <td>G1</td> <td></td> <td>1</td> <td>0</td> <td>1</td> <td>G5</td> </tr> <tr> <td>0</td> <td>1</td> <td>0</td> <td>G2</td> <td></td> <td>1</td> <td>1</td> <td>0</td> <td>G6</td> </tr> <tr> <td>0</td> <td>1</td> <td>1</td> <td>G3</td> <td></td> <td>1</td> <td>1</td> <td>1</td> <td>G7</td> </tr> </tbody> </table>		Gc	Gb	Ga			Gc	Gb	Ga		0	0	0	OFF		1	0	0	G4	0	0	1	G1		1	0	1	G5	0	1	0	G2		1	1	0	G6	0	1	1	G3		1	1	1	G7
				Gc	Gb	Ga			Gc	Gb	Ga																																						
			0	0	0	OFF		1	0	0	G4																																						
			0	0	1	G1		1	0	1	G5																																						
0	1	0	G2		1	1	0	G6																																									
0	1	1	G3		1	1	1	G7																																									
28~32	O-G8~12	O	FL grid output (G8~12).																																														
33	O-P30	O	FL segment output (P30).																																														
34	O-P29	O	FL segment output (P29).																																														
35	O-P28	O	FL segment output (P28).																																														
36	O-P27	O	FL segment output (P27).																																														
37	O-P26	O	FL segment output (P26).																																														
38	O-P25	O	FL segment output (P25).																																														
39	O-P24	O	FL segment output (P24).																																														
40	O-P23	O	FL segment output (P23).																																														
41	VDD2	—	Power supply terminal.																																														
42	VP	—	VP terminal.																																														
43	O-P22/CST1	I/O	FL segment output (P22)/Input from switch detecting cassette in DECK 1.																																														
44	O-P21/AUTO1	I/O	FL segment output (P21)/Input from DECK1 auto stop.																																														

Pin No.	Pin Name	I/O	Description ϵ
45	O-P20/CAM1	I/O	FL segment output (P20)/Input from DECK 1 cam switch.
46	O-P19/CAM2	I/O	FL segment output (P19)/Input from DECK 2 cam switch.
47	O-P18/AUTO2	I/O	FL segment output (P18)/Input from DECK 2 auto stop.
48	O-P17/CST2	I/O	FL segment output (P17)/Input from switch detecting cassette in DECK 2.
49	O-P16/REA2	I/O	FL segment output (P16)/Input from switch detecting that side-A of DECK 2 is recordable.
50	O-P15/REB2	I/O	FL segment output (P15)/Input from switch detecting that side-B of DECK 2 is recordable.
51	O-P14/TMBASE	I/O	FL segment output (P14)/Reference clock signal input to internal timer clock (8 Hz only).
52	O-P13/SPEANA (C)	O	FL segment output (P13)/Output to select frequency of spectrum analyzer (C).
53	O-P12/SPEANA (B)	O	FL segment output (P12)/Output to select frequency of spectrum analyzer (B).
54	O-P11/SPEANA (A)	O	FL segment output (P11)/Output to select frequency of spectrum analyzer (A).
55	O-P10/OIRT	I/O	FL segment output (P10)/Input to diode to enable OIRT reception.
56	O-P9/FM-WIDE	I/O	FL segment output (P9)/Input to diode to enable FM wide reception.
57	O-P8/AM-ST	I/O	FL segment output (P8)/Input to diode to enable AM stereo reception.
58	O-P7/AM-10K	I/O	FL segment output (P7)/Input to diode for initial AM 10 kHz step.
59	O-P6/SW	I/O	FL segment output (P6)/Input to diode to enable SW reception.
60	O-P5/LW	I/O	FL segment output (P5)/Input to diode to enable LW reception.
61	O-P4/BBE	I/O	FL segment output (P4)/Input to diode to enable BBE.
62	O-P3/DSP	I/O	FL segment output (P3)/Input to diode to enable DSP.
63	O-P2/K-CON	I/O	FL segment output (P2)/Input to diode to enable key control.
64	O-P1/CD AUTO ADJ	I/O	FL segment output (P1)/Input to diode to enable CD automatic adjustment.
65	O-MOT	O	$\overline{\text{ON}}$ /OFF output to DECK mechanism motor.
66, 67	O-SOL1, 2	O	$\overline{\text{ON}}$ /OFF output to DECK 1, 2 mechanism plunger solenoid.
68	O-POWER	O	$\overline{\text{ON}}$ /OFF output to system power supply.
69	O-MA-STB	O	Strobe output to latch data of the main shift register.
70	O-FR-STB	O	Strobe output to latch data of the front shift register.
71	O-SER-CLK	O	Clock output to transfer serial data.
72	O-SER-DAT	O	Serial data output.
73	VSS2	—	GND terminal.
74	O-SW-SCAN	O	Output signal to enable segment input, ENABLE/INHIBIT.
75	O-CLK	O	CLK output to transfer FL data of CD.
76	O-DATA	O	Data output to transfer FL data of CD.
77	I/O SEL	I/O	CONTROL Line of CD.
78	O-BUSY	O	CD BUSY control.
79	O-DAT (GEQ)	O	Data output to control electronic graphic equalizer IC.
80	O-DSP STB	O	Strobe output to latch control data of DSP ICs.

ELECTRICAL MAIN PARTS LIST

DESCRIPTIONで判断できない物は“REFERENCE NAME LIST”を参照してください。
If can't understand for Description please kindly refer to “REFERENCE NAME LIST”.

REF. NO	PART NO.	カリ NO.	DESCRIPTION	REF. NO	PART NO.	カリ NO.	DESCRIPTION
IC							
	83-NF6-615-210		IC,LC866432V-5819		87-001-290-089		ZENER,HZS6B1L
	87-001-222-089		IC,NJU4051BM		87-017-091-089		ZENER,HZS5C1
	87-070-083-019		IC,GPIU281X		87-001-559-089		DIODE,ISS131 (T-72)
	87-001-395-019		IC,STK4231-MK2		87-070-178-099		DIODE,1N5402-BD54<K,EEZ,E2,EZ>
	87-017-738-019		IC,NJM2068LD		87-A40-183-090		DIODE,RK36 (F)<HR,LH>
	87-017-915-089		IC,BU4094BCF		87-A40-134-080		DIODE,G2B<K,EEZ,E2,EZ>
	87-002-727-019		IC,NJM4558L		87-017-148-089		ZENER,HZS6A1L
	87-017-887-010		IC,XR1090 ACP		87-017-152-089		ZENER,HZS6B3L
	87-001-874-019		IC,HA12134A		87-017-083-089		ZENER,HZS4C2
	87-070-277-019		IC,BA3839	MAIN C.B			
	87-017-022-089		IC,NJM2068M-D(T1)	BC101	87-026-584-010		PROTECTOR,R3U3 T100A<EXCEPT LH>
	87-017-449-010		IC,XR-1071CP	C101	87-016-440-099		CAP,E 4700-35V SME
	87-017-914-019		IC,BU4094 BC	C102	87-016-440-099		CAP,E 4700-35V SME
	87-017-804-019		IC,BU4052BC	C104	87-010-235-089		CAP,E 470-16 SME
	87-017-788-040		IC,M65846FP-700D<LH>	C105	87-010-381-089		CAP,E 330-16 SME
	87-070-183-040		IC,M65846FP-800D<EXCEPT LH>	C106	87-016-285-089		CAP,E 47-100 SME
	87-001-528-019		IC,LC7522	C107	87-010-405-089		CAP,E 10-50 SME
	87-070-065-019		IC,BU2622S	C108	87-010-405-089		CAP,E 10-50 SME
	87-001-530-019		IC,LA3607	C109	87-010-263-089		CAP,E 100-10
	87-017-714-119		IC,LA1836L	C112	87-010-382-089		CAP,E 22-25 SME
	87-017-726-089		IC,BU4052BCF	C113	87-010-403-089		CAP,E 3.3-50 SME
TRANSISTOR				C115	87-010-196-089		C-CAP,S 0.1-25 F
	89-213-702-019		TR,2SB1370E	C116	87-012-140-089		C-CAP,S 470P-50 CH
	89-109-352-089		TR,2SA935Q	C118	87-010-196-089		C-CAP,S 0.1-25 F
	87-026-610-089		TR,KTC3198GR	C126	87-A10-059-099		CAP,E 3300-75 SME
	89-327-125-089		C-TR,2SC2712GR	C127	87-A10-059-099		CAP,E 3300-75 SME
	89-332-665-089		TR,2SC3266GR	C128	87-012-368-089		C-CAP,S 0.1-50F<HR,LH>
	89-337-221-389		C-TR,2SC3722K (R/S/E)	C129	87-012-368-089		C-CAP,S 0.1-50F<HR,LH>
	89-111-625-089		C-TR,2SA1162GR	C130	87-012-368-089		C-CAP,S 0.1-50F<HR,LH>
	87-026-235-089		C-TR,DTC114EK	C131	87-012-368-089		C-CAP,S 0.1-50F<HR,LH>
	89-112-965-089		TR,2SA1296GR	C145	87-018-134-088		CAP,TC-U 0.01-16 Y<K,EEZ,E2,EZ>
	89-109-521-089		TR,2SA952K	C146	87-010-196-088		C-CAP,S 0.1-25 F<K,EEZ,E2,EZ>
	87-026-226-089		C-TR,DTA143EK	C152	87-010-260-089		CAP,E 47-25 SME
	87-026-210-089		C-TR,DTC144EK T147	C201	87-018-211-088		CAP,TC-U 0.01-50<K,EEZ,E2,EZ>
	89-333-266-089		C-TR,2SC3326B	C202	87-018-211-088		CAP,TC-U 0.01-50<K,EEZ,E2,EZ>
	87-026-232-089		C-TR,DTA144WK	C203	87-010-197-088		C-CAP,S 0.01-25 B<K,EEZ,E2,EZ>
	87-026-211-089		C-TR,DTA144EK T147	C204	87-010-197-088		C-CAP,S 0.01-25 B<K,EEZ,E2,EZ>
	87-026-658-010		FET,2SJ176	C213	87-010-404-089		CAP,E 4.7-50 SME
	89-510-940-010		FET,2SK1094	C214	87-010-404-089		CAP,E 4.7-50 SME
	89-322-405-089		TR,2SC2240GR	C215	87-010-178-089		C-CAP,S 1000P-50 B
	87-026-238-089		C-TR,DTC144WK	C216	87-010-178-089		C-CAP,S 1000P-50 B
	89-503-655-689		FET,2SK365GR,BL	C217	87-010-404-089		CAP,E 4.7-50 SME
	89-113-187-889		TR,2SA1318TU	C218	87-010-404-089		CAP,E 4.7-50 SME
	89-406-555-089		TR,2SD655E	C219	87-010-220-089		C-CAP,S 0.018-25 B
	89-333-317-089		TR,2SC3331T	C220	87-010-220-089		C-CAP,S 0.018-25 B
	89-327-126-089		C-TR,2SC2712BL<K,EEZ,E2,EZ>	C221	87-010-545-089		CAP,E 0.22-50 SME
	89-502-464-089		FET,2SK246Y	C222	87-010-545-089		CAP,E 0.22-50 SME
	89-318-154-089		TR,2SC1815Y	C223	87-010-260-089		CAP,E 47-25 SME
	87-026-214-089		TR,DTA114YS	C224	87-010-260-089		CAP,E 47-25 SME
	89-327-143-089		C-TR,2SC2714 (O)	C225	87-010-260-089		CAP,E 47-25 SME
	87-026-462-089		TR,2SC1740S (RS)<HR>	C226	87-010-260-089		CAP,E 47-25 SME
	89-320-011-089		TR,2SC2001K<HR>	C227	87-018-209-089		CAP,TC-U 0.1-50 F
	89-318-155-089		TR,2SC1815GR<HR>	C228	87-018-209-089		CAP,TC-U 0.1-50 F
	89-505-434-549		C-FET,2SK543 (4/5)<EXCEPT HR>	C231	87-010-196-089		C-CAP,S 0.1-25 F
				C243	87-010-154-089		C-CAP,S 10P-50 CH
				C244	87-015-879-089		C-CAP,10P-50 CH
				C245	87-018-208-089		CAP,TC-U 0.047-50 F
				C250	87-010-196-089		C-CAP,S 0.1-25 F
				C251	87-010-410-089		CAP,E 330-50 SME
				C303	87-012-155-089		C-CAP,S 180P-50 CH
DIODE				C304	87-012-155-089		C-CAP,S 180P-50 CH
	87-020-465-089		DIODE,1SS133	C305	87-010-189-089		C-CAP,S 8200P-50 B
	87-002-597-069		DIODE,DBF,60C-K13	C306	87-010-189-089		C-CAP,S 8200P-50 B
	87-017-978-089		DIODE,1N4003	C309	87-010-197-089		C-CAP,S 0.01-25 B
	87-020-027-089		C-DIODE,1SS184	C310	87-010-197-089		C-CAP,S 0.01-25 B
	87-020-125-089		C-DIODE,1SS181	C311	87-010-213-089		C-CAP,S 0.015-50 B
	87-017-174-089		ZENER,HZS11A3L	C312	87-010-213-089		C-CAP,S 0.015-50 B
	87-027-451-089		ZENER,HZ27-2L	C314	87-018-209-089		CAP,TC-U 0.1-50 F
	87-020-330-089		C-DIODE,DAP202K	C351	87-012-154-089		C-CAP,S 150P-50 CH
	87-020-331-089		C-DIODE,DAN202K				
	87-001-731-089		ZENER,HZS6C2L				

REF. NO	PART NO.	カナリ NO.	DESCRIPTION	REF. NO	PART NO.	カナリ NO.	DESCRIPTION
C352	87-012-154-089		C-CAP,S 150P-50 CH	C549	87-010-196-089	f	C-CAP,S 0.1-25 F
C353	87-012-145-089		C-CAP S 270P-50CH	C550	87-010-183-089		C-CAP,S 2700P-50 B
C354	87-012-145-089		C-CAP S 270P-50CH	C551	87-016-492-089		C-CAP,S 0.33-16 FZ
C355	87-012-154-089		C-CAP,S 150P-50 CH	C552	87-016-081-089		C-CAP,S 0.1-16 RK
C356	87-012-154-089		C-CAP,S 150P-50 CH	C553	87-016-081-089		C-CAP,S 0.1-16 RK
C357	87-010-189-089		C-CAP,S 8200P-50 B	C554	87-010-183-088		C-CAP,S 2700P-50 B<K,EEZ,E2,EZ>
C358	87-010-189-089		C-CAP,S 8200P-50 B	C555	87-010-183-088		C-CAP,S 2700P-50 B<K,EEZ,E2,EZ>
C359	87-010-196-089		C-CAP,S 0.1-25 F	C557	87-015-775-089		C-CAP,820P-50 SL
C361	87-010-197-089		C-CAP,S 0.01-25 B	C558	87-010-177-089		C-CAP,S 820P-50 SL
C362	87-010-197-089		C-CAP,S 0.01-25 B	C560	87-010-318-089		C-CAP,S 47P-50 CH
C363	87-010-197-089		C-CAP,S 0.01-25 B	C571	87-015-819-088		C-CAP,0.01<K,EEZ,E2,EZ>
C364	87-010-197-089		C-CAP,S 0.01-25 B	C572	87-010-197-088		C-CAP,S 0.01-25 B<K,EEZ,E2,EZ>
C401	87-010-402-089		CAP,E 2.2-50 SME	C601	87-010-401-089		CAP,E 1-50 SME
C402	87-010-402-089		CAP,E 2.2-50 SME	C602	87-010-405-089		CAP,E 10-50 SME
C405	87-010-197-089		C-CAP,S 0.01-25 B	C603	87-010-101-089		CAP,E 220-16 SME
C406	87-015-819-089		C-CAP,0.01	C605	87-015-627-089		C-CAP,1000P-50 B
C409	87-010-181-089		C-CAP,S 1800P-50 B	C606	87-015-627-089		C-CAP,1000P-50 B
C410	87-010-181-089		C-CAP,S 1800P-50 B	C607	87-010-404-089		CAP,E 4.7-50 SME
C411	87-010-188-089		C-CAP,S 6800P-50 B	C608	87-010-404-089		CAP,E 4.7-50 SME
C412	87-010-188-089		C-CAP,S 6800P-50 B	C609	87-010-404-089		CAP,E 4.7-50 SME
C415	87-012-154-089		C-CAP,S 150P-50 CH	C610	87-010-404-089		CAP,E 4.7-50 SME
C416	87-012-154-089		C-CAP,S 150P-50 CH	C611	87-010-179-089		C-CAP,S 1200P-50 B
C451	87-012-156-089		C-CAP,S 220P-50 CH	C612	87-010-179-089		C-CAP,S 1200P-50 B
C452	87-012-156-089		C-CAP,S 220P-50 CH	C613	87-010-404-089		CAP,E 4.7-50 SME
C453	87-010-178-089		C-CAP,S 1000P-50 B	C614	87-010-404-089		CAP,E 4.7-50 SME
C454	87-010-178-088		C-CAP,S 1000P-50 B<K,EEZ,E2,EZ>	C615	87-010-400-089		CAP,E 0.47-50 SME
C455	87-010-178-088		C-CAP,S 1000P-50 B<K,EEZ,E2,EZ>	C616	87-010-400-089		CAP,E 0.47-50 SME
C456	87-010-260-089		CAP,E 47-25 SME	C617	87-010-197-089		C-CAP,S 0.01-25 B
C457	87-010-197-089		C-CAP,S 0.01-25 B	C618	87-010-197-089		C-CAP,S 0.01-25 B
C458	87-010-183-089		C-CAP,S 2700P-50 B	C619	87-010-184-089		C-CAP,S 3300P-50 B
C459	87-010-183-089		C-CAP,S 2700P-50 B	C620	87-010-184-089		C-CAP,S 3300P-50 B
C460	87-010-183-089		C-CAP,S 2700P-50 B	C621	87-012-155-089		C-CAP,S 180P-50 CH
C470	87-010-196-089		C-CAP,S 0.1-25 F	C622	87-012-155-089		C-CAP,S 180P-50 CH
C503	87-012-145-089		C-CAP S 270P-50CH	C623	87-010-405-089		CAP,E 10-50 SME
C504	87-010-302-089		C-CAP,270P-50 CH	C624	87-010-405-089		CAP,E 10-50 SME
C507	87-010-178-089		C-CAP,S 1000P-50 B	C630	87-010-405-089		CAP,E 10-50 SME
C508	87-010-178-089		C-CAP,S 1000P-50 B	C631	87-010-403-089		CAP,E 3.3-50 SME
C509	87-010-371-089		CAP,E 470-6.3	C641	87-015-785-089		C-CAP,0.1-25 F
C515	87-010-545-089		CAP,E 0.22-50 SME	C642	87-010-196-089		C-CAP,S 0.1-25 F
C516	87-010-545-089		CAP,E 0.22-50 SME	C645	87-016-492-089		C-CAP,S 0.33-16 FZ
C517	87-010-955-089		C-CAP,0.33-16 R	C646	87-016-492-089		C-CAP,S 0.33-16 FZ
C518	87-016-492-089		C-CAP,S 0.33-16 FZ	C651	87-010-316-088		C-CAP,S 33P-50 CH<K,EEZ,E2,EZ>
C519	87-010-196-089		C-CAP,S 0.1-25 F<HR,LH>	C652	87-010-316-088		C-CAP,S 33P-50 CH<K,EEZ,E2,EZ>
C521	87-010-197-089		C-CAP,S 0.01-25 B	C701	87-010-381-089		CAP,E 330-16 SME
C522	87-010-318-089		C-CAP,S 47P-50 CH	C702	87-010-404-089		CAP,E 4.7-50 SME
C523	87-010-197-089		C-CAP,S 0.01-25 B	C703	87-010-197-089		C-CAP,S 0.01-25 B
C524	87-010-402-089		CAP,E 2.2-50 SME	C704	87-010-197-089		C-CAP,S 0.01-25 B
C530	87-010-194-089		C-CAP,S 0.047-25 F	C711	87-010-263-089		CAP,E 100-10
C531	87-010-545-089		CAP,E 0.22-50 SME	C712	87-010-196-089		C-CAP,S 0.1-25 F
C532	87-010-382-089		CAP,E 22-25 SME	C722	87-010-154-089		C-CAP,S 10P-50 CH<HR>
C533	87-010-404-089		CAP,E 4.7-50 SME	C722	87-010-311-089		C-CAP,S 12P-50 CH<EXCEPT HR>
C534	87-010-404-089		CAP,E 4.7-50 SME	C723	87-010-178-089		C-CAP,S 1000P-50 B
C535	87-010-404-089		CAP,E 4.7-50 SME	C725	87-010-178-089		C-CAP,S 1000P-50 B
C536	87-010-404-089		CAP,E 4.7-50 SME	C726	87-018-131-089		CAP,TC-U 1000P-50 B
C537	87-010-196-089		C-CAP,S 0.1-25 F	C727	87-010-194-089		C-CAP,S 0.047-25 F<EXCEPT HR>
C538	87-010-384-089		CAP,E 100-25 SME	C727	87-010-196-089		C-CAP,S 0.1-25 F<HR>
C539	87-010-196-089		C-CAP,S 0.1-25 F	C728	87-010-248-089		CAP,E 220-10 SME
C540	87-010-196-089		C-CAP,S 0.1-25 F	C732	87-018-134-089		CAP,TC-U 0.01-16 Y<EXCEPT HR>
C541	87-010-196-089		C-CAP,S 0.1-25 F	C735	87-018-209-089		CAP,TC-U 0.1-50 F
C543	87-010-544-089		CAP,E 0.1-50<K,EEZ,E2,EZ>	C771	87-010-405-089		CAP,E 10-50 SME
C543	87-010-546-089		CAP,E 0.33-50 SME<HR,LH>	C772	87-010-194-089		C-CAP,S 0.047-25 F
C544	87-010-544-089		CAP,E 0.1-50<K,EEZ,E2,EZ>	C773	87-010-196-089		C-CAP,S 0.1-25 F
C544	87-010-546-089		CAP,E 0.33-50 SME<HR,LH>	C774	87-010-263-089		CAP,E 100-10
C545	87-010-400-089		CAP,E 0.47-50 SME	C775	87-010-405-089		CAP,E 10-50 SME
C546	87-010-400-089		CAP,E 0.47-50 SME	C776	87-018-134-089		CAP,TC-U 0.01-16 Y<EXCEPT HR>
C547	87-010-213-089		C-CAP,S 0.015-50 B<K,EEZ,E2,EZ>	C777	87-010-400-089		CAP,E 0.47-50 SME
C547	87-010-220-089		C-CAP,S 0.018-25 B<HR>	C778	87-010-401-089		CAP,E 1-50 SME
C547	87-012-365-089		C-CAP,S 0.027-25V BK<LH>	C779	87-010-401-089		CAP,E 1-50 SME
C548	87-010-213-089		C-CAP,S 0.015-50 B<K,EEZ,E2,EZ>	C780	87-010-197-089		C-CAP,S 0.01-25 B
C548	87-010-220-089		C-CAP,S 0.018-25 B<HR>	C781	87-010-405-089		CAP,E 10-50 SME
C548	87-012-365-089		C-CAP,S 0.027-25V BK<LH>	C782	87-010-405-089		CAP,E 10-50 SME

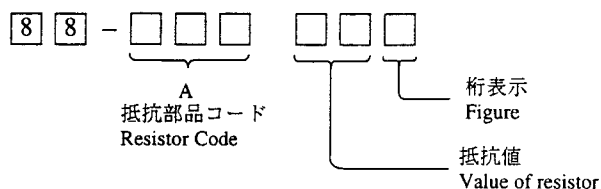
REF. NO	PART NO.	カリ NO.	DESCRIPTION	REF. NO	PART NO.	カリ NO.	DESCRIPTION
C787	87-010-184-089		C-CAP,S 3300P-50 B	L701	81-631-643-019		COIL 1 POLE MPX
C788	87-010-184-089		C-CAP,S 3300P-50 B	L702	81-631-643-019		COIL 1 POLE MPX
C789	87-010-179-089		C-CAP,S 1200P-50 B	L741	87-006-253-019		COIL,FM DET N
C790	87-010-179-089		C-CAP,S 1200P-50 B	L742	81-631-612-019		CFMT 450A<HR>
C791	87-010-401-089		CAP,E 1-50 SME	L742	82-NT1-659-019		FLTR,CFAZ-450 2NT<EXCEPT HR>
C792	87-010-180-089		C-CAP,S 1500P-50 B<HR, LH>	L770	87-003-102-089		COIL,10UH
C792	87-010-182-089		C-CAP,S 2200P-50 B<K, EEZ, E2, EZ>	L832	87-003-098-089		COIL,2.2UH
C793	87-010-189-089		C-CAP,S 8200P-50 B	L941	87-006-208-019		COIL,ANT LW<K, EEZ, E2, EZ>
C794	87-010-260-089		CAP,E 47-25 SME	L942	87-007-305-019		COIL,OSC LW S<K, EEZ, E2, EZ>
C795	87-010-194-089		C-CAP,S 0.047-25 F	L981	81-MX4-620-019		AM PACK 3, S<LH>
C796	87-010-403-089		CAP,E 3.3-50 SME	L981	81-MX4-619-019		AM PACK 4<K, EEZ, E2, EZ>
C797	87-010-405-089		CAP,E 10-50 SME	R105	87-022-600-089		RES,M/F 0.1-2W J
C798	87-010-196-089		C-CAP,S 0.1-25 F<EXCEPT HR>	R106	87-022-600-089		RES,M/F 0.1-2W J
C801	87-018-134-089		CAP,TC-U 0.01-16 Y<HR, LH>	R107	87-025-471-089		RES,NF 4.7-1/4WJ<HR>
C802	87-018-134-089		CAP,TC-U 0.01-16 Y	RY101	87-045-285-010		RELAY,VB12MB
C803	87-018-134-089		CAP,TC-U 0.01-16 Y<EXCEPT HR>	SFR301	87-024-168-089		SFR,1K DIA6 V
C804	87-010-196-089		C-CAP,S 0.1-25 F<EXCEPT LH>	SFR302	87-024-168-089		SFR,1K DIA6 V
C805	87-018-134-089		CAP,TC-U 0.01-16 Y<LH>	SFR351	87-024-168-089		SFR,1K DIA6 V
C814	87-010-197-089		C-CAP,S 0.01-25 B	SFR352	87-024-168-089		SFR,1K DIA6 V
C816	87-018-134-089		CAP,TC-U 0.01-16 Y<EXCEPT HR>	SFR401	87-024-168-089		SFR,1K DIA6 V
C817	87-010-197-089		C-CAP,S 0.01-25 B	SFR402	87-024-168-089		SFR,1K DIA6 V
C818	87-010-197-089		C-CAP,S 0.01-25 B	SFR451	87-024-175-089		SFR,47K DIA6 V
C819	87-010-197-089		C-CAP,S 0.01-25 B	SFR452	87-024-175-089		SFR,47K DIA6 V
C820	87-010-260-089		CAP,E 47-25 SME	SFR722	87-024-171-089		SFR 4.7K DIA6 V<HR, LH>
C821	87-010-197-089		C-CAP,S 0.01-25 B	SFR722	87-024-651-080		SFR,6.8K DIA6 V<K, EEZ, E2, EZ>
C822	87-010-197-089		C-CAP,S 0.01-25 B	TC701	87-011-221-089		TRIMER.30P VCT51
C823	87-010-197-089		C-CAP,S 0.01-25 B	TC942	87-011-221-089		TRIMER.30P VCT51<K, EEZ, E2, EZ>
C830	87-015-819-089		CHIP CAP,0.01	VR651	83-NF5-639-019		VR,50KBX2 RK14K12A0
C831	87-010-197-089		C-CAP,S 0.01-25 B<EXCEPT HR>	W101	83-NF6-635-119		CONN ASSY,7P(P12)
C831	87-018-134-089		CAP,TC-U 0.01-16 Y<HR>	W102	82-NF7-670-019		CABLE FFC 6P-1.25
C832	87-010-196-089		C-CAP,S 0.1-25 F	X703	84-508-618-019		VIB,CER CSB 456 F15
C833	87-018-209-089		CAP,TC-U 0.1-50 F	X704	87-030-354-019		VIB,CF BFU450C<HR>
C837	87-018-134-089		CAP,TC-U 0.01-16 Y<K, EEZ, E2, EZ>	X721	87-030-163-019		VIB,XTAL 7.2MHZ (NDK) <EXCEPT HR>
C840	87-010-197-089		C-CAP,S 0.01-25 B	X721	87-030-278-089		VIB,XTAL 7.2MHZ, S<HR>
C941	87-010-197-088		C-CAP,S 0.01-25 B<K, EEZ, E2, EZ>				
C942	87-010-311-088		C-CAP,S 12P-50 CH<K, EEZ, E2, EZ>				
C944	87-010-154-089		C-CAP,S 10P-50 CH<K, EEZ, E2, EZ>				
C944	87-010-311-089		C-CAP,S 12P-50 CH<LH>				
C945	87-014-050-089		CAP,PP 510P-100 J<K, EEZ, E2, EZ>	C121	87-010-405-049		CAP,E 10-50 SME
C946	87-010-401-089		CAP,E 1-50 SME	C122	87-010-405-049		CAP,E 10-50 SME
C947	87-010-197-089		C-CAP,S 0.01-25 B<EXCEPT HR>	C140	87-010-384-049		CAP,E 100-25 SME
C948	87-010-401-089		CAP,E 1-50 SME<EXCEPT HR>	C200	87-010-316-089		C-CAP,S 33P-50 CH
C949	87-010-196-088		C-CAP,S 0.1-25 F<K, EEZ, E2, EZ>	C201	87-010-313-089		C-CAP,S 18P-50 CH
C950	87-010-322-089		C-CAP,S 100P-50 CH<EXCEPT HR>	C202	87-010-316-089		C-CAP,S 33P-50 CH
C983	87-010-544-089		CAP,E 0.1-50<EXCEPT HR>	C203	87-015-785-089		C-CAP,0.1-25 F
C985	87-010-196-089		C-CAP,S 0.1-25 F	C204	87-010-248-049		CAP,E 220-10 SME
C987	87-018-134-089		CAP,TC-U 0.01-16 Y	C205	87-010-494-049		CAP,E 1-50 GAS
C987	87-018-134-089		CAP,TC-U 0.01-16 Y	C206	87-010-196-089		C-CAP,S 0.1-25 F
C988	87-010-196-089		C-CAP,S 0.1-25 F<EXCEPT HR>	C207	87-010-196-089		C-CAP,S 0.1-25 F
C990	87-018-134-089		CAP,TC-U 0.01-16 Y<EXCEPT HR>	C208	87-010-263-049		CAP,E 100-10
C993	87-010-197-088		C-CAP,S 0.01-25 B<K, EEZ, E2, EZ>	C209	87-010-494-049		CAP,E 1-50 GAS
C993	87-010-196-089		C-CAP,S 0.1-25 F<HR>	C210	87-010-178-089		C-CAP,S 1000P-50 B
CF801	87-008-423-089		CF,SFE10.7 MS3G-A<K, EEZ, E2, EZ>	C211	87-010-196-089		C-CAP,S 0.1-25 F
CF801	87-008-261-019		FLTR,SFE10.7MA5-A<HR, LH>	C212	87-010-405-049		CAP,E 10-50 SME
CF802	82-785-747-089		CF,MS2 GHY,R<K, EEZ, E2, EZ>	C300	87-010-196-089		C-CAP,S 0.1-25 F
CF802	87-008-261-019		FLTR,SFE10.7MA5-A<HR, LH>	C400	87-010-196-089		C-CAP,S 0.1-25 F
FFE801	84-CF3-645-019		FE PACK 3 EX<HR, LH>	C401	87-010-196-089		C-CAP,S 0.1-25 F
FFE801	84-CF3-646-019		FE PACK 4<K, EEZ, E2, EZ>	C402	87-010-196-089		C-CAP,S 0.1-25 F
J250	87-099-678-019		JACK,6.3 W/S BLK	C500	87-010-178-089		C-CAP,S 1000P-50 B
J253	87-099-474-019		JACK,PIN 3P BLK	C501	87-010-196-089		C-CAP,S 0.1-25 F
J254	87-033-227-019		TERMINAL,SP 4P R (Z)	C502	87-010-196-089		C-CAP,S 0.1-25 F
J652	80-MT3-616-019		JACK,PIN 2P	C503	87-010-196-089		C-CAP,S 0.1-25 F
J801	82-NF5-621-019		ANT TERM JBTO222<HR, LH>	C504	87-010-408-049		CAP-E 47-50 SME
J801	87-033-230-019		TERMINAL,ANT AJ-2016 <K, EEZ, E2, EZ>	C505	87-010-496-049		CAP,E 3.3-50 GAS
L201	87-003-383-019		COIL,1UH-S<K, EEZ, E2, EZ>	C506	87-010-496-049		CAP,E 3.3-50 GAS
L202	87-003-383-019		COIL,1UH-S<K, EEZ, E2, EZ>	C507	87-015-785-089		C-CAP,0.1-25 F
L401	87-003-131-089		COIL,10MH J	C508	87-015-785-089		C-CAP,0.1-25 F
L401	87-003-131-089		COIL,10MH J	C600	87-015-785-089		C-CAP,0.1-25 F
L402	87-003-131-089		COIL,10MH J	C601	87-010-405-049		CAP,E 10-50 SME
L403	87-005-525-089		COIL, 22MH-J	C602	87-010-176-089		C-CAP,S 680P-50 SL
L404	87-005-525-089		COIL, 22MH-J	C603	87-010-196-089		C-CAP,S 0.1-25 F
L451	87-007-336-019		COIL,OSC 85K BIAS	C604	87-012-156-089		C-CAP,S 220P-50 CH

REF. NO	PART NO.	カンリ NO.	DESCRIPTION	REF. NO	PART NO.	カンリ NO.	DESCRIPTION
C605	87-010-319-089		C-CAP,S 56P-50 CH	S313	87-036-397-089		SW,TACT SKQNAB
C606	87-016-462-089		C-CAP,S 1-16 F	S314	87-036-397-089		SW,TACT SKQNAB
C607	87-010-196-089		C-CAP,S 0.1-25 F	S315	87-036-397-089		SW,TACT SKQNAB
C608	87-010-322-089		C-CAP,S 100P-50 CH	S316	87-036-397-089		SW,TACT SKQNAB
C609	87-010-544-049		CAP,E 0.1-50 SME	S317	87-036-397-089		SW,TACT SKQNAB
C610	87-012-155-089		C-CAP,S 180P-50 CH	S318	87-036-397-089		SW,TACT SKQNAB
C611	87-010-406-049		CAP,E 22-50 SME	S319	87-036-397-089		SW,TACT SKQNAB
C614	87-010-263-049		CAP,E 100-10	S320	87-036-397-089		SW,TACT SKQNAB
C615	87-010-405-049		CAP,E 10-50 SME	S321	87-036-397-089		SW,TACT SKQNAB
C617	87-010-188-089		C-CAP,S 6800P-50 B	S322	87-036-397-089		SW,TACT SKQNAB
C618	87-010-188-089		C-CAP,S 6800P-50 B	S323	87-036-397-089		SW,TACT SKQNAB
C650	87-010-152-089		C-CAP,S 8P-50 CH	S324	87-036-397-089		SW,TACT SKQNAB
C651	87-010-152-089		C-CAP,S 8P-50 CH	S325	87-036-397-089		SW,TACT SKQNAB
C652	87-010-426-089		C-CAP,S 0.012-25 B	S326	87-036-397-089		SW,TACT SKQNAB
C654	87-010-178-089		C-CAP,S 1000P-50 B	S327	87-036-397-089		SW,TACT SKQNAB
C656	87-010-196-089		C-CAP,S 0.1-25 F	S328	87-036-397-089		SW,TACT SKQNAB
C657	87-010-263-049		CAP,E 100-10	S329	87-036-397-089		SW,TACT SKQNAB
C659	87-010-184-089		C-CAP,S 3300P-50 B	S330	87-036-397-089		SW,TACT SKQNAB
C660	87-010-426-089		C-CAP,S 0.012-25 B	S331	87-036-397-089		SW,TACT SKQNAB
C662	87-010-544-049		CAP,E 0.1-50 SME	S332	87-036-397-089		SW,TACT SKQNAB
C663	87-010-260-049		CAP,E 47-25 SME	S333	87-036-397-089		SW,TACT SKQNAB
C664	87-012-141-089		C-CAP,S 0.22-16 F	S334	87-036-397-089		SW,TACT SKQNAB
C665	87-018-209-089		CAP,TC-U 0.1-50 F	S335	87-036-397-089		SW,TACT SKQNAB
C666	87-010-179-089		C-CAP,S 1200P-50 B	S336	87-036-397-089		SW,TACT SKQNAB
C667	87-010-177-089		C-CAP,S 820P-50 SL	S337	87-036-397-089		SW,TACT SKQNAB
C668	87-018-209-089		CAP,TC-U 0.1-50 F	VR600	82-NK7-616-019		VR,10KB RK11K1130
C669	87-010-404-049		CAP,E 4.7-50 SME	VR601	82-NK7-615-019		VR,10KA RK11K1130
C670	87-010-404-049		CAP,E 4.7-50 SME	W130	83-NFL-632-019		CABLE FFC,13P-1.25<HR,LH>
C671	87-010-318-089		C-CAP,S 47P-50 CH	W130	83-NFL-632-018		CABLE FFC,13P-1.25<K,EEZ,E2,
C672	87-010-322-089		C-CAP,S 100P-50 CH	X200	87-030-376-089		VIB,CER CSA5.76MG200
C902	87-010-196-089		C-CAP,S 0.1-25 F				
CON140	82-NF5-630-119		CONN ASSY,7P				
CON150	82-NE8-634-019		CONN ASSY 10P D2	MVR C.B			
EMI600	87-008-372-089		FLTR,EMI BL 01RNI				
FL500	83-NF6-618-019		FL,BJ321GK(SPEANA)	C700	87-010-381-089		CAP,E 330-16 SME
FL501	83-NF6-617-019		FL,7-BT-207GK(SYS)	C701	87-010-196-089		C-CAP,S 0.1-25 F
J600	82-NF7-630-019		JACK,3.5 MO	C702	87-010-196-089		C-CAP,S 0.1-25 F
J601	82-NF7-630-019		JACK,3.5 MO	C751	87-010-260-049		CAP,E 47-25 SME
L650	87-005-487-089		COIL,150UH J FLR50	C752	87-010-260-049		CAP,E 47-25 SME
				C753	87-010-178-089		C-CAP,S 1000P-50 B
LED400	87-017-350-080		LED,SEL1550CM	C754	87-010-178-089		C-CAP,S 1000P-50 B
LED401	87-017-350-080		LED,SEL1550CM	C755	87-010-545-049		CAP,E 0.22-50 SME
LED402	87-017-350-080		LED,SEL1550CM	C756	87-010-545-049		CAP,E 0.22-50 SME
LED403	87-017-350-080		LED,SEL1550CM	C757	87-010-546-049		CAP,E 0.33-50
LED404	87-017-350-080		LED,SEL1550CM	C758	87-010-546-049		CAP,E 0.33-50
LED405	87-017-350-080		LED,SEL1550CM	C761	87-010-545-049		CAP,E 0.22-50 SME
LED406	87-017-731-080		LED,SEL1510CM2	C762	87-010-545-049		CAP,E 0.22-50 SME
LED407	87-017-731-080		LED,SEL1510CM2	C763	87-010-193-089		C-CAP,S 0.033-25 F
LED408	87-017-731-080		LED,SEL1510CM2	C764	87-010-193-089		C-CAP,S 0.033-25 F
LED409	87-017-731-080		LED,SEL1510CM2	C767	87-010-213-089		C-CAP,S 0.015-50 B
LED410	87-017-731-080		LED,SEL1510CM2	C768	87-010-213-089		C-CAP,S 0.015-50 B
LED411	87-017-731-080		LED,SEL1510CM2	C769	87-010-198-089		C-CAP,S 0.022-25 B
LED412	87-017-731-080		LED,SEL1510CM2	C770	87-010-198-089		C-CAP,S 0.022-25 B
LED413	87-017-731-080		LED,SEL1510CM2	C771	87-010-187-089		C-CAP,S 5600P-50 B
LED414	87-017-785-080		LED,SEL 4214S	C772	87-010-187-089		C-CAP,S 5600P-50 B
LED415	87-017-785-080		LED,SEL 4214S	C773	87-010-197-089		C-CAP,S 0.01-25 B
LED416	87-017-785-080		LED,SEL 4214S	C774	87-010-197-089		C-CAP,S 0.01-25 B
LED417	87-017-785-080		LED,SEL 4214S	C775	87-010-183-089		C-CAP,S 2700P-50 B
S300	87-036-397-089		SW,TACT SKQNAB	C776	87-010-183-089		C-CAP,S 2700P-50 B
S301	87-036-397-089		SW,TACT SKQNAB	C777	87-010-184-089		C-CAP,S 3300P-50 B
S302	87-036-397-089		SW,TACT SKQNAB	C778	87-010-184-089		C-CAP,S 3300P-50 B
S303	87-036-397-089		SW,TACT SKQNAB	C779	87-010-180-089		C-CAP,S 1500P-50 B
S304	87-036-397-089		SW,TACT SKQNAB	C780	87-010-180-089		C-CAP,S 1500P-50 B
S305	87-036-397-089		SW,TACT SKQNAB	C781	87-010-180-089		C-CAP,S 1500P-50 B
S306	87-036-397-089		SW,TACT SKQNAB	C782	87-010-180-089		C-CAP,S 1500P-50 B
S307	87-036-397-089		SW,TACT SKQNAB	C783	87-010-403-089		CAP,E 3.3-50 SME
S308	87-036-397-089		SW,TACT SKQNAB	C784	87-010-403-089		CAP,E 3.3-50 SME
S309	87-036-397-089		SW,TACT SKQNAB	C785	87-010-402-049		CAP,E 2.2-50 SME
S310	87-036-397-089		SW,TACT SKQNAB	C786	87-010-402-049		CAP,E 2.2-50 SME
S311	87-036-397-089		SW,TACT SKQNAB	C787	87-012-140-089		C-CAP,S 470P-50 CH
S312	87-036-397-089		SW,TACT SKQNAB	C788	87-012-140-089		C-CAP,S 470P-50 CH

REF. NO	PART NO.	カリ NO.	DESCRIPTION	REF. NO	PART NO.	カリ NO.	DESCRIPTION
C791	87-010-197-088		C-CAP,S 0.01-25 B<K,EEZ,E2,EZ>	L956	87-007-326-019		COIL,OSC MW(SG)<HR>
C792	87-010-197-088		C-CAP,S 0.01-25 B<K,EEZ,E2,EZ>	L957	87-007-327-019		COIL,OSC SW1(SG)<HR>
C800	87-010-196-089		C-CAP,S 0.1-25 F	L958	87-007-332-019		COIL,OSC SW2(SG7)<HR>
C802	87-010-381-089		CAP,E 330-16 SME	TC951	87-011-220-089		TRIMMER,20P VCT<HR>
C803	87-010-263-049		CAP,E 100-10	TC952	87-011-221-089		TRIMMER,30P VCT51<HR>
C804	87-010-263-049		CAP,E 100-10	TC953	87-011-221-089		TRIMMER,30P VCT51<HR>
C811	87-010-403-089		CAP,E 3.3-50 SME				
C812	87-010-403-089		CAP,E 3.3-50 SME				
C813	87-010-297-089		C-CAP,100P-50CH				
C814	87-010-322-089		C-CAP,S 100P-50 CH	PT1 C.B			
C815	87-012-157-089		C-CAP,S 330P-50 CH	△	87-033-213-089		CLAMP FUSE SMK<K,EEZ,E2,EZ>
C816	87-012-157-089		C-CAP,S 330P-50 CH	△	87-033-147-019		CLAMP,FUSE<HR,LH>
C850	87-010-196-089		C-CAP,S 0.1-25 F	△	82-304-743-019		TERMINAL,1P
C851	87-018-134-088		CAP,TC-U 0.01-16 Y<K,EEZ,E2,EZ>	△F101	87-035-370-019		FUSE,6.3A 250V T E<HR,LH>
				△F101	87-035-193-018		FUSE,T5A 250V<K,EEZ,E2,EZ>
C852	87-018-134-088		CAP,TC-U 0.01-16 Y<K,EEZ,E2,EZ>	△PT101	84-NF6-713-018		PT,4NF-6 EKZ<K,EEZ,E2,EZ>
C861	87-016-073-049		CAP,E 1-50 FX	△PT101	84-NF6-715-019		PT,4NF-6 HR<HR>
C862	87-016-073-049		CAP,E 1-50 FX	△PT101	84-NF6-711-019		PT,4NF-6 LH<LH>
C863	87-010-402-049		CAP,E 2.2-50 SME	△SW101	87-036-387-019		SW,SL 1-2-3<HR,LH>
C864	87-010-402-049		CAP,E 2.2-50 SME				
C865	87-010-401-049		CAP,E 1-50 SME	PT2 C.B			
C866	87-010-401-049		CAP,E 1-50 SME				
C867	87-010-322-089		C-CAP,S 100P-50 CH	△	87-033-213-089		CLAMP FUSE SMK
C868	87-010-322-089		C-CAP,S 100P-50 CH	△F102	87-035-369-019		FUSE,5A 250V T E<HR,LH>
C869	87-010-401-049		CAP,E 1-50 SME	△F102	87-035-193-018		FUSE,T5A 250V<K,EEZ,E2,EZ>
				△F103	87-035-369-019		FUSE,5A 250V T E<HR,LH>
C870	87-010-401-049		CAP,E 1-50 SME	△F103	87-035-193-018		FUSE,T5A 250V<K,EEZ,E2,EZ>
C890	87-010-545-049		CAP,E 0.22-50 SME				
C891	87-010-402-049		CAP,E 2.2-50 SME	PIN101	82-481-697-019		PLUG MINITURE 5P
C893	87-010-401-049		CAP,E 1-50 SME				
MVR800	84-MA1-712-019		VR,50KB*2 (M)				
KEY C.B				DECK-1 C.B			
C900	87-010-197-089		C-CAP,S 0.01-25 B	SOL1	82-ZM1-618-310		SOL ASSY,27
C901	87-010-196-089		C-CAP,S 0.1-25 F	SW4	87-036-110-010		SW,PUSH SPPB 62
LED900	87-017-489-080		LED,SEL1450GM TP5	SW5	87-036-110-010		SW,PUSH SPPB 62
LED901	87-017-489-080		LED,SEL1450GM TP5	SW6	87-036-110-010		SW,PUSH SPPB 62
LED902	87-017-489-080		LED,SEL1450GM TP5				
S900	87-036-397-089		SW,TACT SKQNA B	DECK-2 C.B			
S901	87-036-397-089		SW,TACT SKQNA B	SFR1	87-024-170-080		SFR,3.3K DIA6 V
S902	87-036-397-089		SW,TACT SKQNA B	SOL2	82-ZM1-618-310		SOL ASSY,27
S903	87-036-397-089		SW,TACT SKQNA B	SW2	87-036-110-010		SW,PUSH SPPB 62
S904	87-036-397-089		SW,TACT SKQNA B	SW3	87-036-110-010		SW,PUSH SPPB 62
W900	83-NF5-632-019		CABLE FFC,6P-1.25	SW4	87-036-110-010		SW,PUSH SPPB 62
				SW5	87-036-110-010		SW,PUSH SPPB 62
				SW6	87-036-110-010		SW,PUSH SPPB 62
S.WAVE C.B<HR>							
C951	87-010-197-089		C-CAP,S 0.01-25 B<HR>	RELAY-1 C.B			
C952	87-010-197-089		C-CAP,S 0.01-25 B<HR>				
C953	87-010-197-089		C-CAP,S 0.01-25 B<HR>				
C954	87-010-263-089		CAP,E 100-10<HR>	RELAY-2 C.B			
C955	87-010-154-089		C-CAP,S 10P-50 CH<HR>				
C956	87-010-197-089		C-CAP,S 0.01-25 B<HR>				
C957	87-010-197-089		C-CAP,S 0.01-25 B<HR>				
C958	87-010-197-089		C-CAP,S 0.01-25 B<HR>				
C961	87-014-051-089		CAP,PP 560P-100 J<HR>				
C962	87-014-073-089		CAP,PP 4700P-100 J<HR>				
C963	87-010-312-089		C-CAP,S 15P-50 CH<HR>				
C964	87-010-313-089		C-CAP,S 18P-50 CH<HR>				
C965	87-010-186-089		C-CAP,S 4700P-50 B<HR>				
C966	87-010-263-089		CAP,E 100-10<HR>				
C970	87-010-197-089		C-CAP,S 0.01-25 B<HR>				
C971	87-010-197-089		C-CAP,S 0.01-25 B<HR>				
C974	87-010-196-089		C-CAP,S 0.1-25 F<HR>				
C976	87-010-400-089		CAP,E 0.47-50 SME<HR>				
C977	87-010-544-089		CAP,E 0.1-50<HR>				
D958	87-017-568-089		VARI-CAP,SVC 342 M/L<HR>				
L951	87-006-316-019		COIL,ANT MW(SGB)<HR>				
L952	87-006-255-019		COIL,ANT SW1(SG7)<HR>				
L953	87-006-256-019		COIL,ANT SW2(SG7)<HR>				
L954	87-005-372-089		COIL,S 1MMH TAPG<HR>				
L955	87-005-372-089		COIL,S 1MMH TAPG<HR>				

○ チップ抵抗部品コード / CHIP RESISTOR PART CODE

チップ抵抗部品コードの成り立ち
Chip Resistor Part Coding



チップ抵抗
Chip resistor

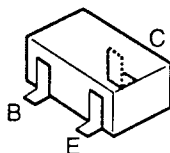
容量 Wattage	種類 Type	許容誤差 Tolerance	記号 Symbol	寸法 / Dimensions (mm)			抵抗コード : A Resistor Code: A	
				外形 / Form	L	W		t
1/16W	1608	±5%	CJ		1.6	0.8	0.45	108
1/10W	2125	±5%	CJ		2	1.25	0.45	118
1/8W	3216	±5%	CJ		3.2	1.6	0.55	128

TRANSISTOR ILLUSTRATION

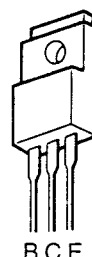


ECB

2SA935 2SC2240
2SA952 2SC3266
2SA1296 2SC3331
2SA1318 2SD655
2SC1815 KTC3198
2SC2001

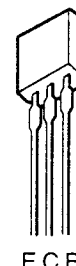


2SA1162 DTA144EK
2SC2712 DTA144WK
2SC2714 DTC114EK
2SC3326 DTC144EK
2SC3722 DTC144WK
DTA143EK



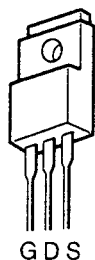
BCE

2SB1370



ECB

2SC1740
DTA114YS



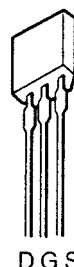
GDS

2SJ176
2SK1094



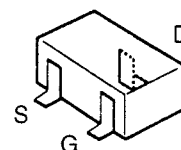
SGD

2SK246



DGS

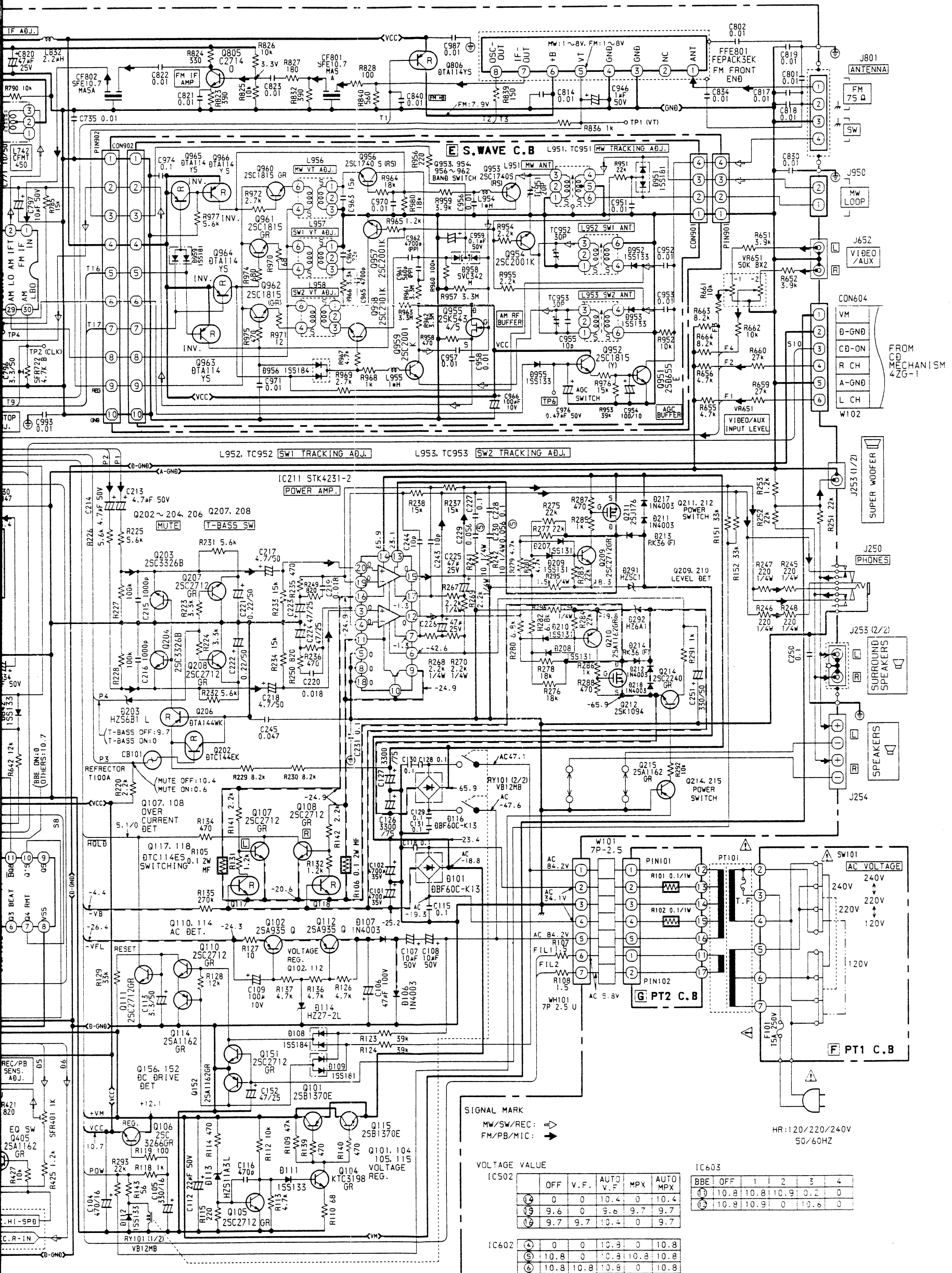
2SK365



G

2SK543

12	13	14	15	16	17	18	19	20	21	22	23	24	25	26	27	28	29	30
1.3	1.7	6.6	7.0	3.8	3.8	3.8	3.8	3.9	3.9	3.0	2.3	3.2	2.9	0	3.7	3.7	3.8	1.9
0	1.7	4.2	6.0	3.7	3.7	3.7	3.7	3.8	3.8	3.0	1.4	3.3	3.3	0.5	3.7	3.7	3.7	1.5
0	1.7	4.2	6.0	3.8	3.8	3.8	3.8	3.9	3.9	3.0	1.4	3.3	3.3	0.5	3.7	3.7	3.8	1.5
0	1.7	4.2	6.0	4.2	4.2	4.2	4.2	4.6	4.6	3.5	1.3	3.5	3.5	0.5	4.2	4.2	4.3	2.0



SIGNAL MARK
 MW/SW/REC: →
 FM/PB/MIC: →

VOLTAGE VALUE

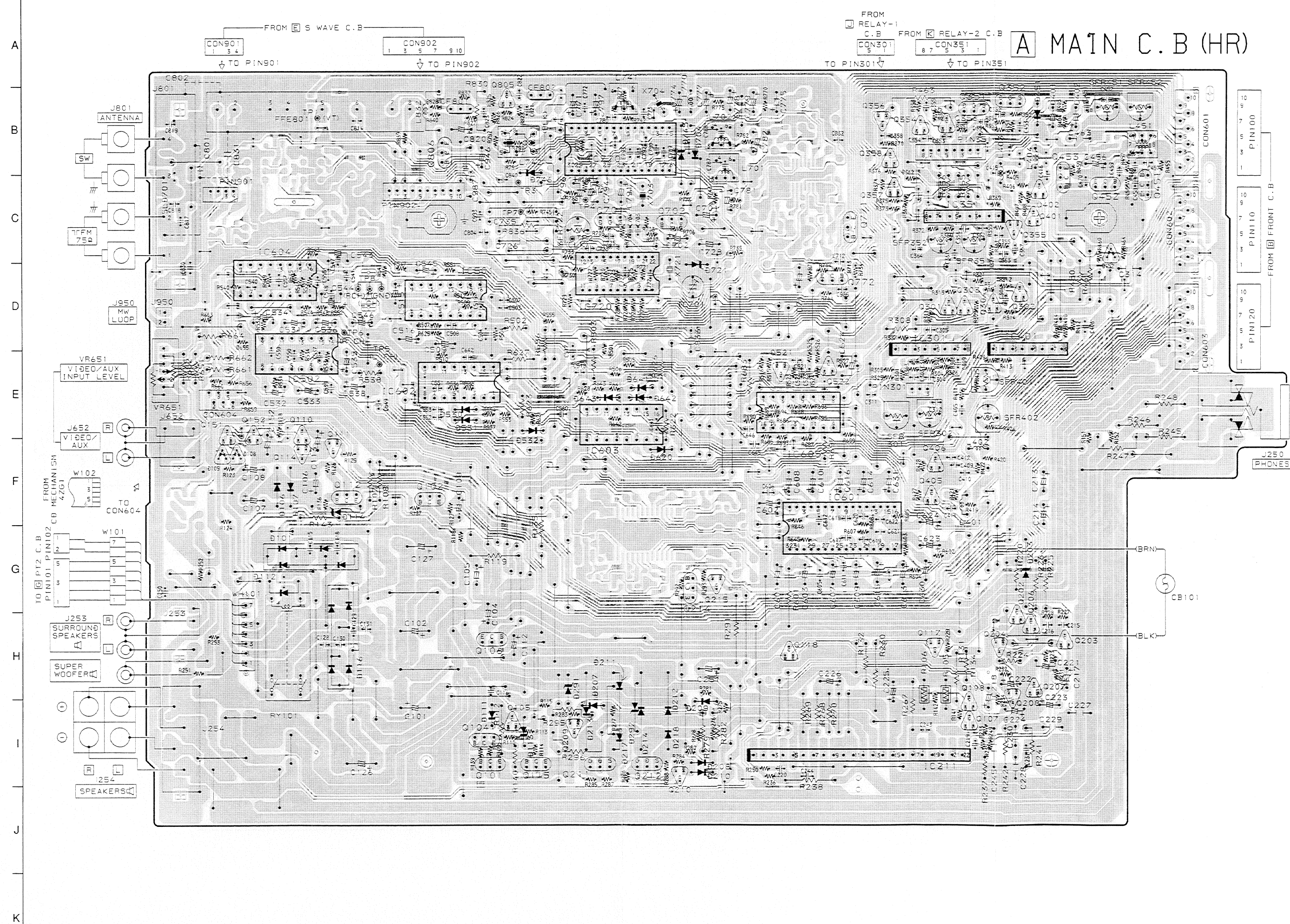
IC502	OFF	V.F.	AUTO V.F.	MPX	AUTO MPX
④	0	0	10.4	0	10.4
⑤	9.6	0	9.6	9.7	9.7
⑥	9.7	9.7	10.4	0	9.7

IC602	④	⑤	⑥
④	0	0	10.8
⑤	10.8	0	10.8
⑥	10.8	10.8	10.8

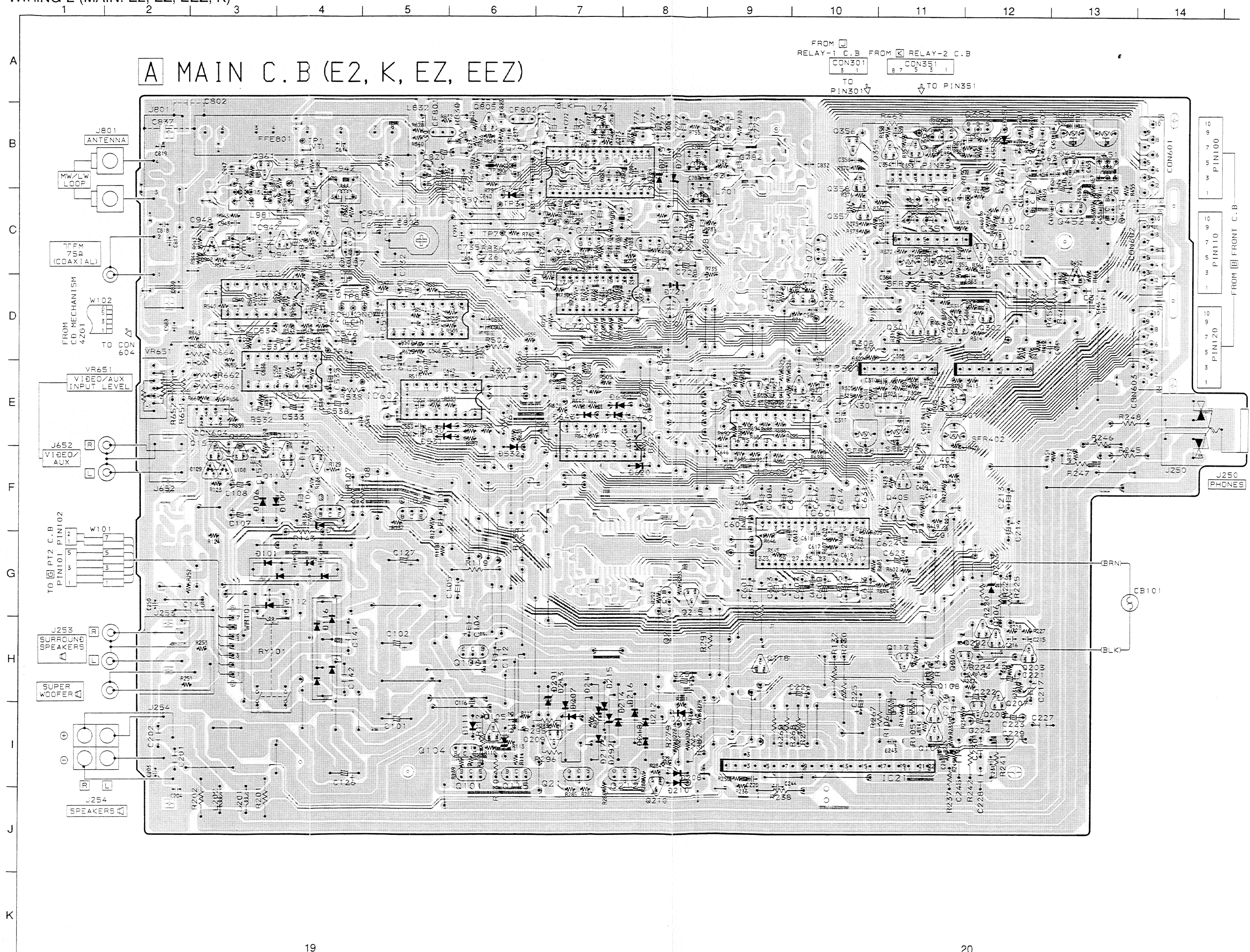
IC603

BBE	OFF	1	2	3	4
①	10.8	10.8	10.9	0.2	0
②	10.9	10.9	0	10.6	0

HR: 120/220/240V
 50/60HZ



A MAIN C.B. (HR)



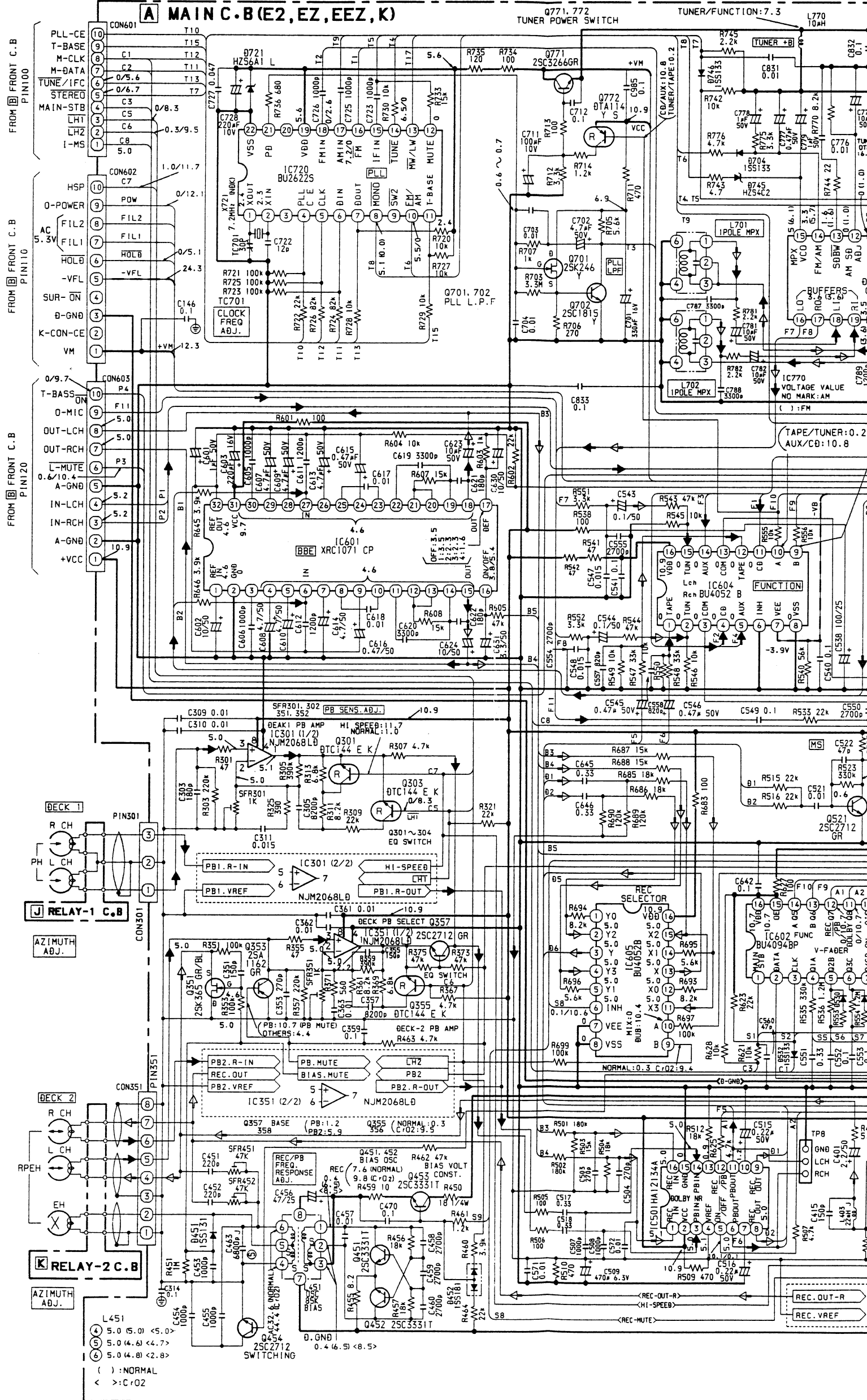
SCHEMATIC DIAGRAM-2 (MAIN: E2, EZ, EEZ, K)

VOLTAGE VALUE
IC720

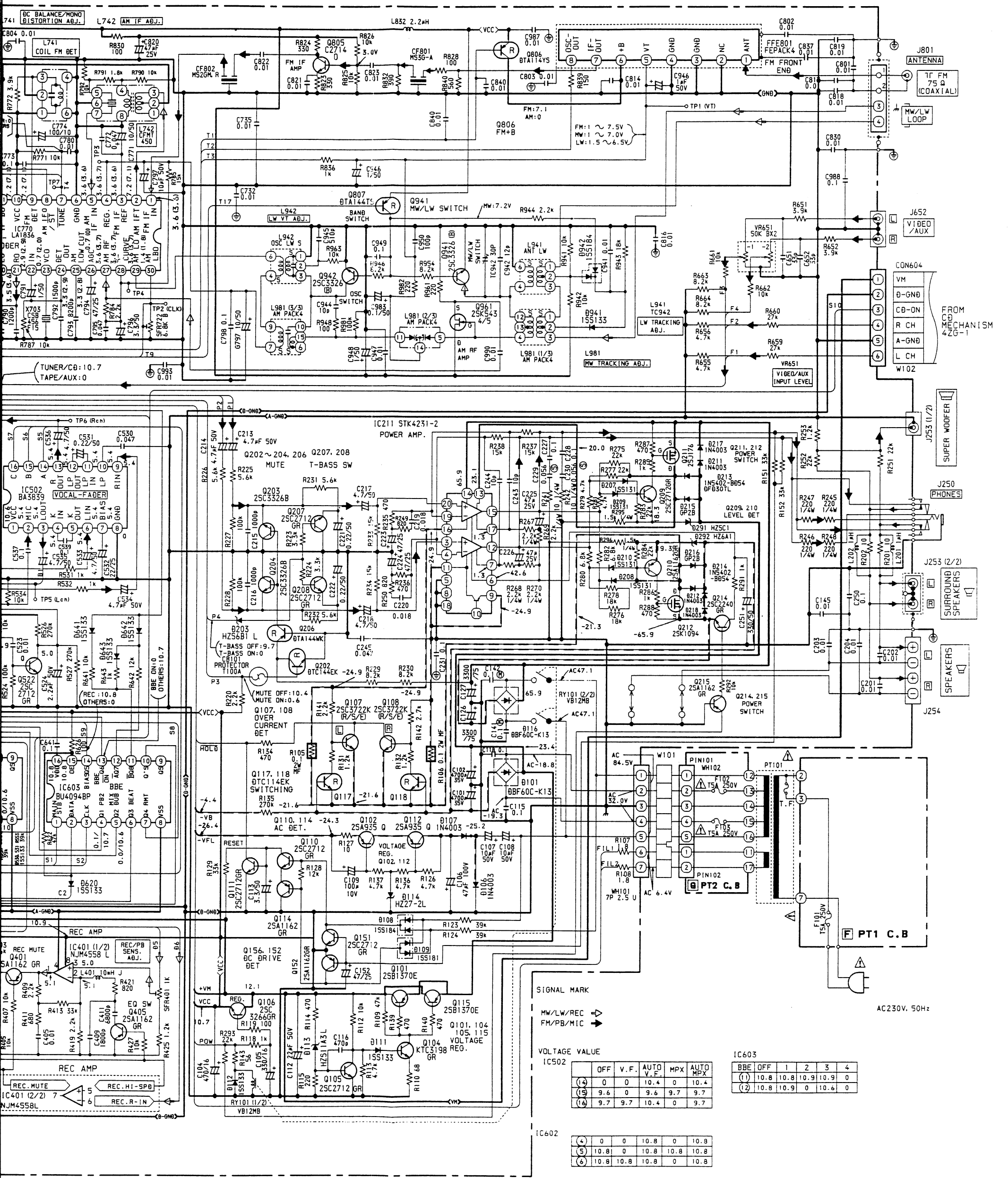
	(10)	(13)	(16)
FM	6.3	7.2	0.1
MW	0.1	0.1	7.2
LW	0.1	7.2	7.2

IC770

	(1)	(2)	(3)	(4)	(5)	(6)	(7)
FM	3.6	7.2	3.6	3.6	3.6	0	6.8/0.7
MW, LW	3.5	7.2	3.5	3.6	3.5	0	6.8/0.7



8	9	10	11	12	13	14	15	16	17	18	19	20	21	22	23	24	25	26	27	28	29	30
2/0	7.2	7.2	0	1.4	1.4	5.8	6.2	3.4	3.4	3.6	3.6	3.5	3.5	2.8	2.1	2.9	2.7	0	3.4	3.4	3.4	1.6
2/0			0	0	1.4	3.4	5.1	3.4	3.4	3.6	3.6	3.4	3.4	2.8	0.6	1.0	3.1	0.5	3.3	3.5	3.6	1.3



SIGNAL MARK
 MW/LW/REC
 FM/PB/MIC

VOLTAGE VALUE

IC603

	OFF	V.F.	AUTO	MPX	AUTO
		V.F.	V.F.		MPX
(4)	0	0	10.4	0	10.4
(1)	10.8	10.8	10.9	10.9	0
(5)	9.6	0	9.6	9.7	9.7
(2)	10.8	10.9	0	10.6	0

IC602

(4)	0	0	10.8	0	10.8
(5)	10.8	0	10.8	10.8	10.8
(6)	10.8	10.8	10.8	0	10.8

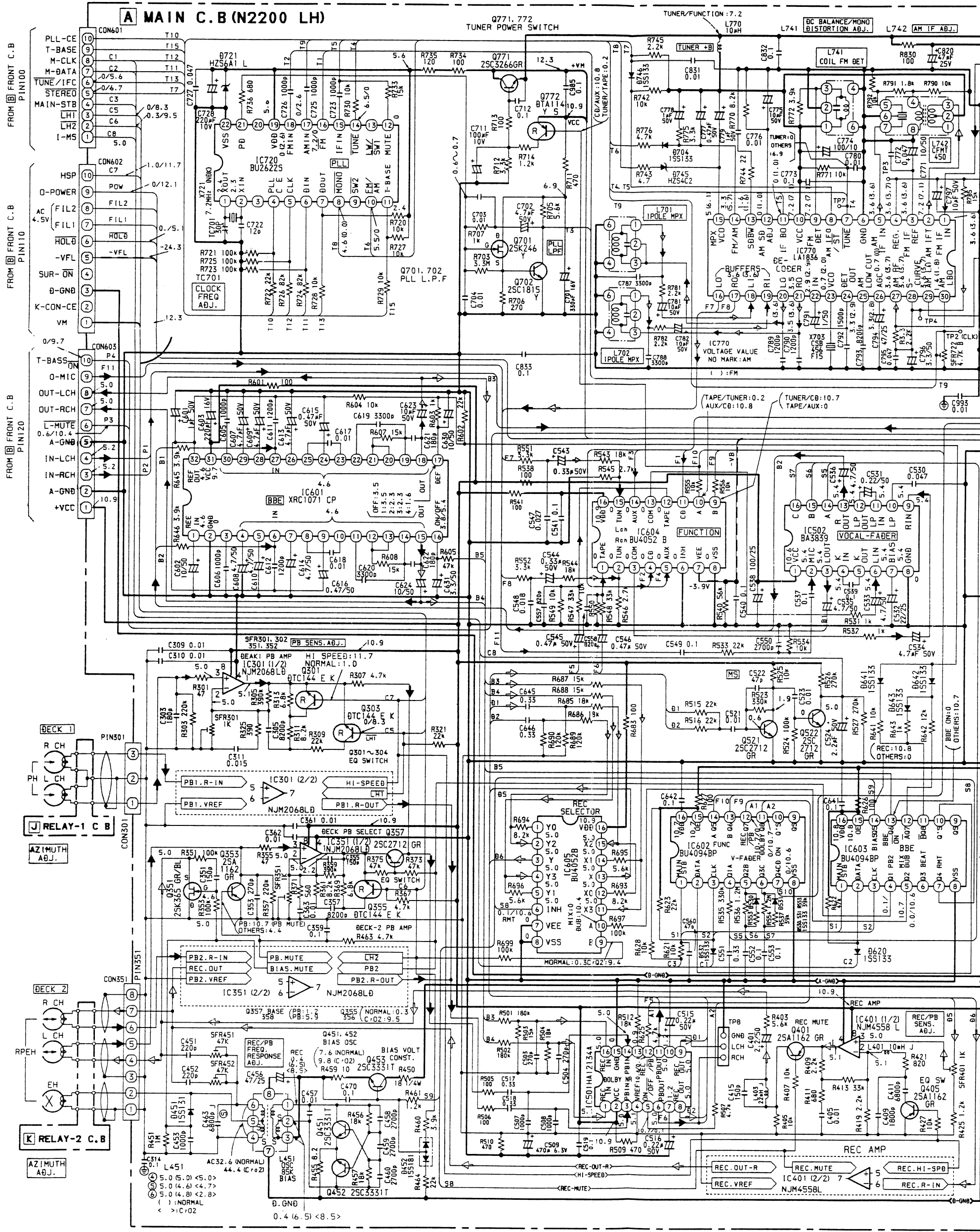
SCHEMATIC DIAGRAM-3 (MAIN: LH)

VOLTAGE VALUE
IC720

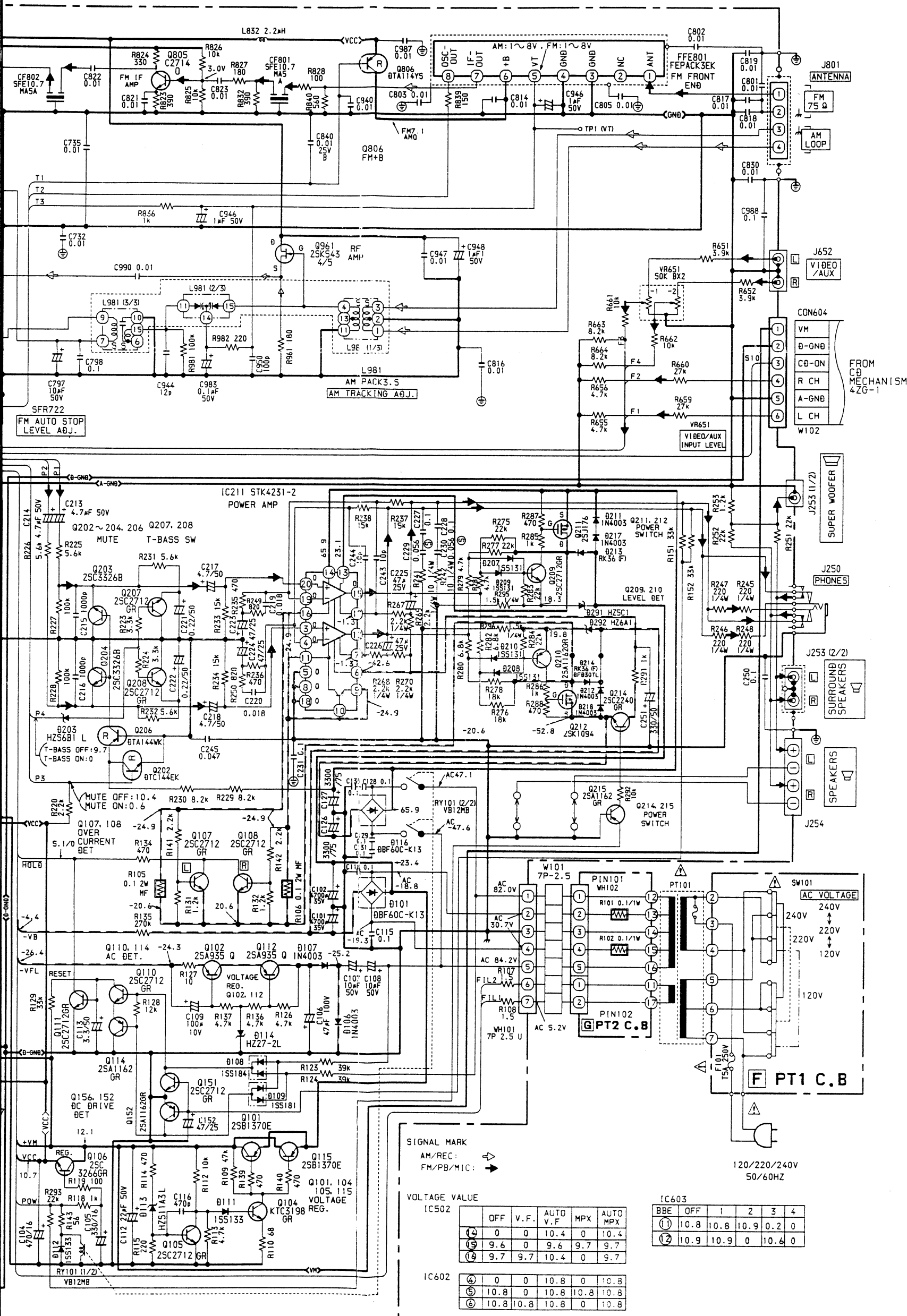
	(9)	(10)	(13)	(16)
FM	8.0	6.4	8.0	0.1
AM	8.1	0.1	8.1	8.1

IC770

	(1)	(2)	(3)	(4)	(5)	(6)	(7)	(8)	(9)	(10)	(11)	(12)	(13)	(14)
FM	3.7	8.0	3.7	3.8	3.7	0	7.4/0	8.0/0	8.0	8.0	0	1.3	1.7	6.6
AM	3.7	8.1	3.7	3.7	3.7	0	7.4/0	8.0/0	8.1	8.0	0	0	1.7	4.2



(19)	(16)	(17)	(18)	(19)	(20)	(21)	(22)	(23)	(24)	(25)	(26)	(27)	(28)	(29)	(30)
7.0	3.8	3.8	3.8	3.8	3.9	3.9	3.0	2.3	3.2	2.9	0	3.7	3.7	3.8	1.9
6.0	3.7	3.7	3.7	3.7	3.8	3.8	3.0	1.4	3.3	3.3	0.5	3.7	3.7	3.7	1.5



SIGNAL MARK
 AM/REC: \rightarrow
 FM/PB/MIC: \rightarrow

VOLTAGE VALUE

IC502	OFF	V.F.	AUTO V.F.	MPX	AUTO MPX
(1)	0	0	10.4	0	10.4
(2)	9.6	0	9.6	9.7	9.7
(3)	9.7	9.7	10.4	0	9.7

IC602	(4)	(5)	(6)	
(4)	0	0	10.8	10.8
(5)	10.8	0	10.8	10.8
(6)	10.8	10.8	0	10.8

IC603	BBE	OFF	1	2	3	4
(1)	10.8	10.8	10.9	0.2	0	0
(2)	10.9	10.9	0	10.6	0	0

1 2 3 4 5 6 7 8 9 10 11 12 13 14

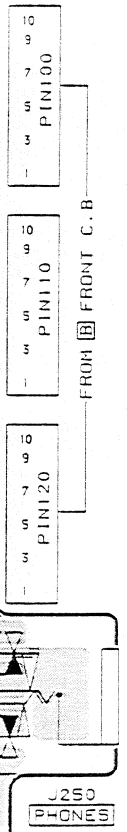
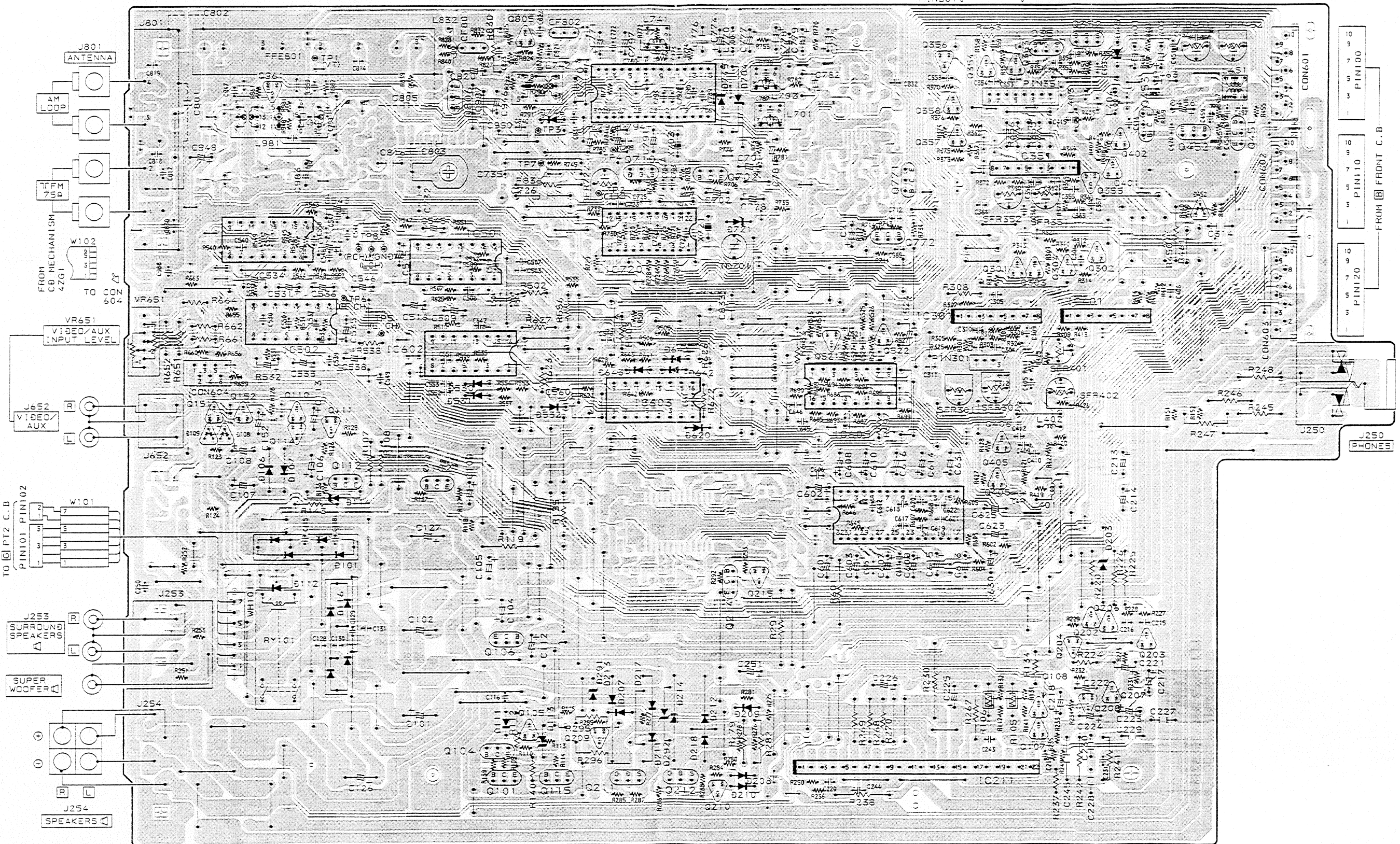
A
B
C
D
E
F
G
H
I
J
K

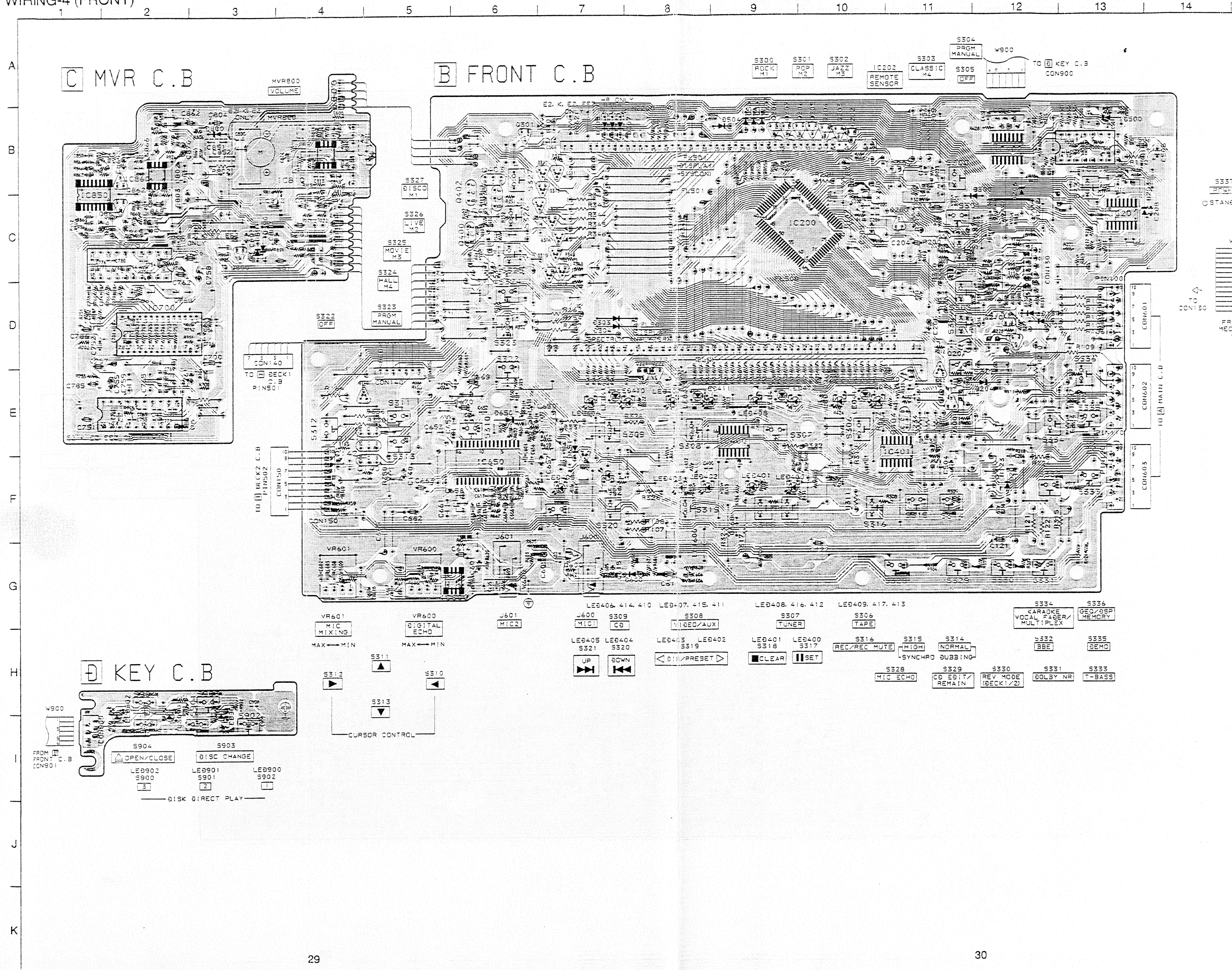
A MAIN C.B (N2200 LH)

FROM RELAY-1 C.B FROM RELAY-2 C.B

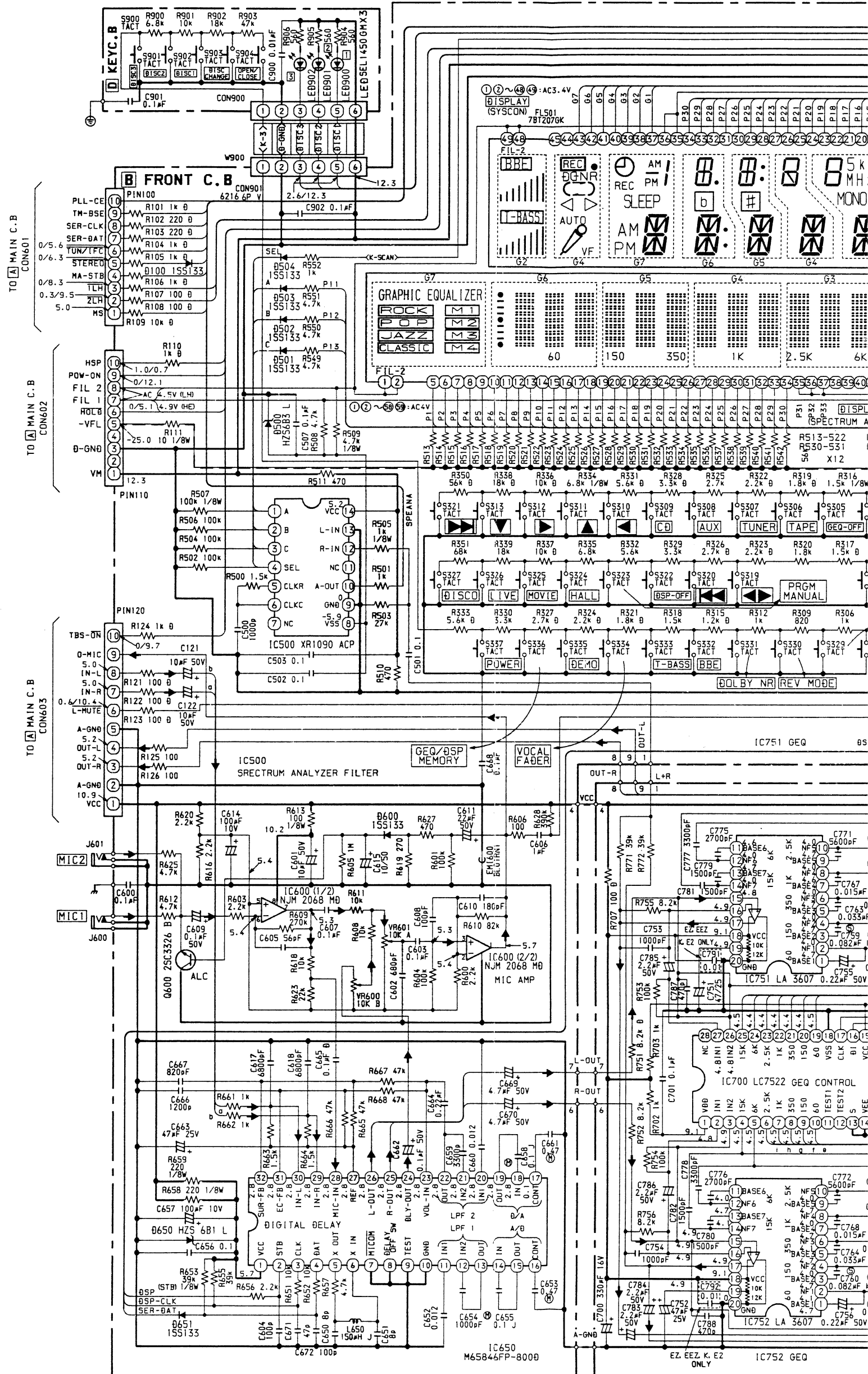
CON301 3 1 CON351 3 1

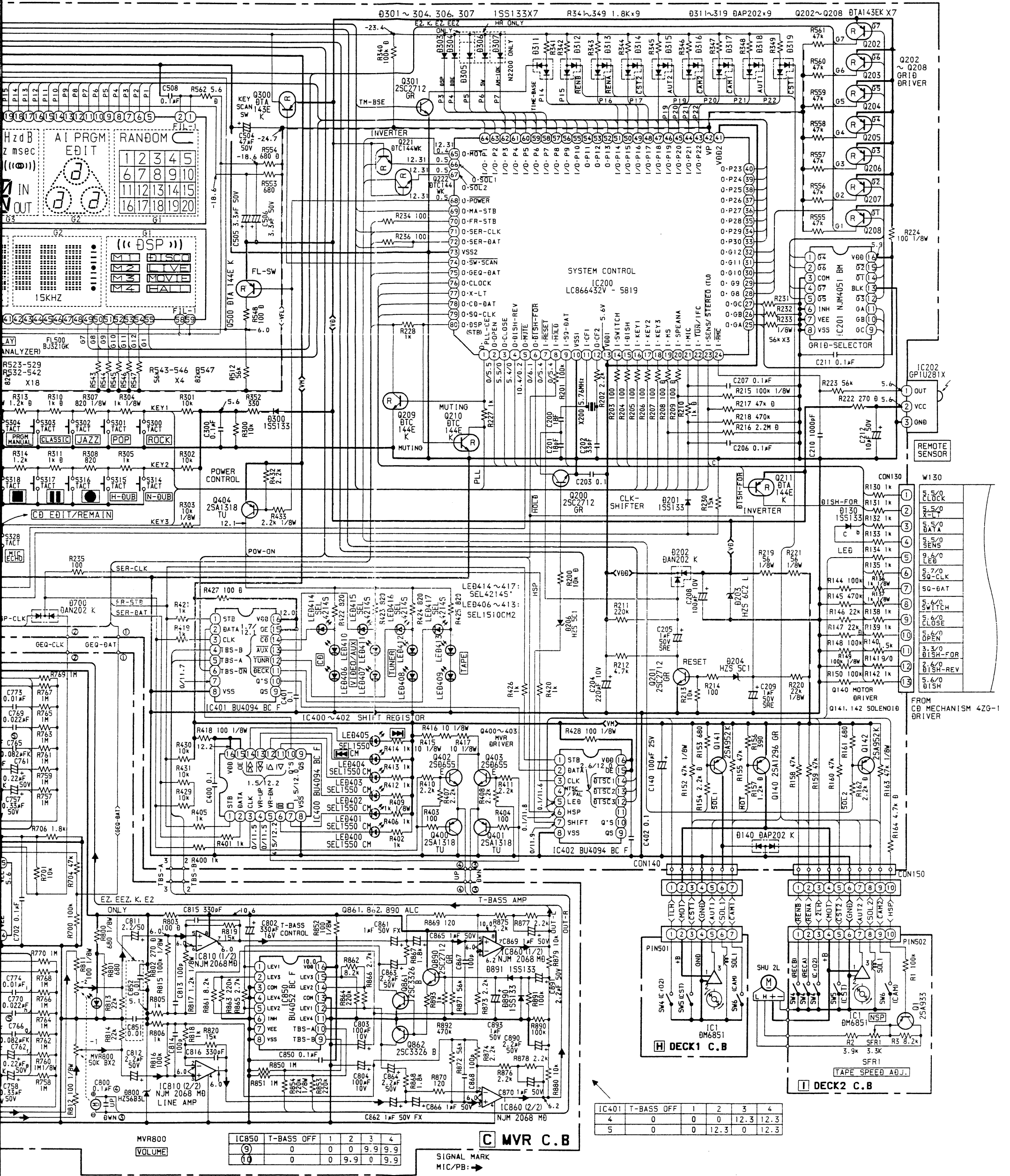
TO PIN301 TO PIN351





SCHEMATIC DIAGRAM-4 (FRONT)





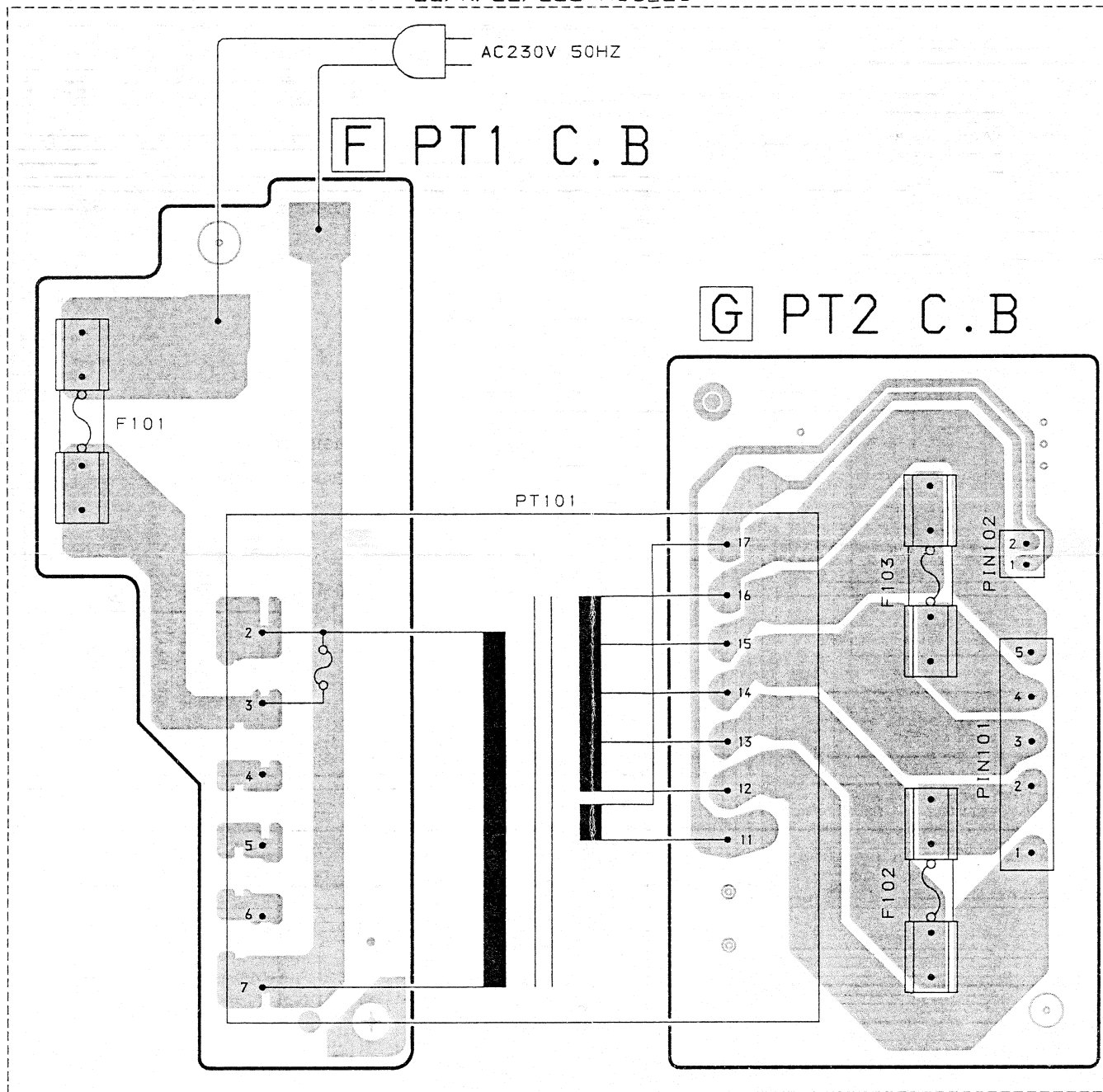
IC401	T-BASS OFF	1	2	3	4
4	0	0	12.3	12.3	
5	0	0	12.3	0	12.3

IC850	T-BASS OFF	1	2	3	4
(9)	0	0	0	9.9	9.9
(10)	0	0	9.9	0	9.9

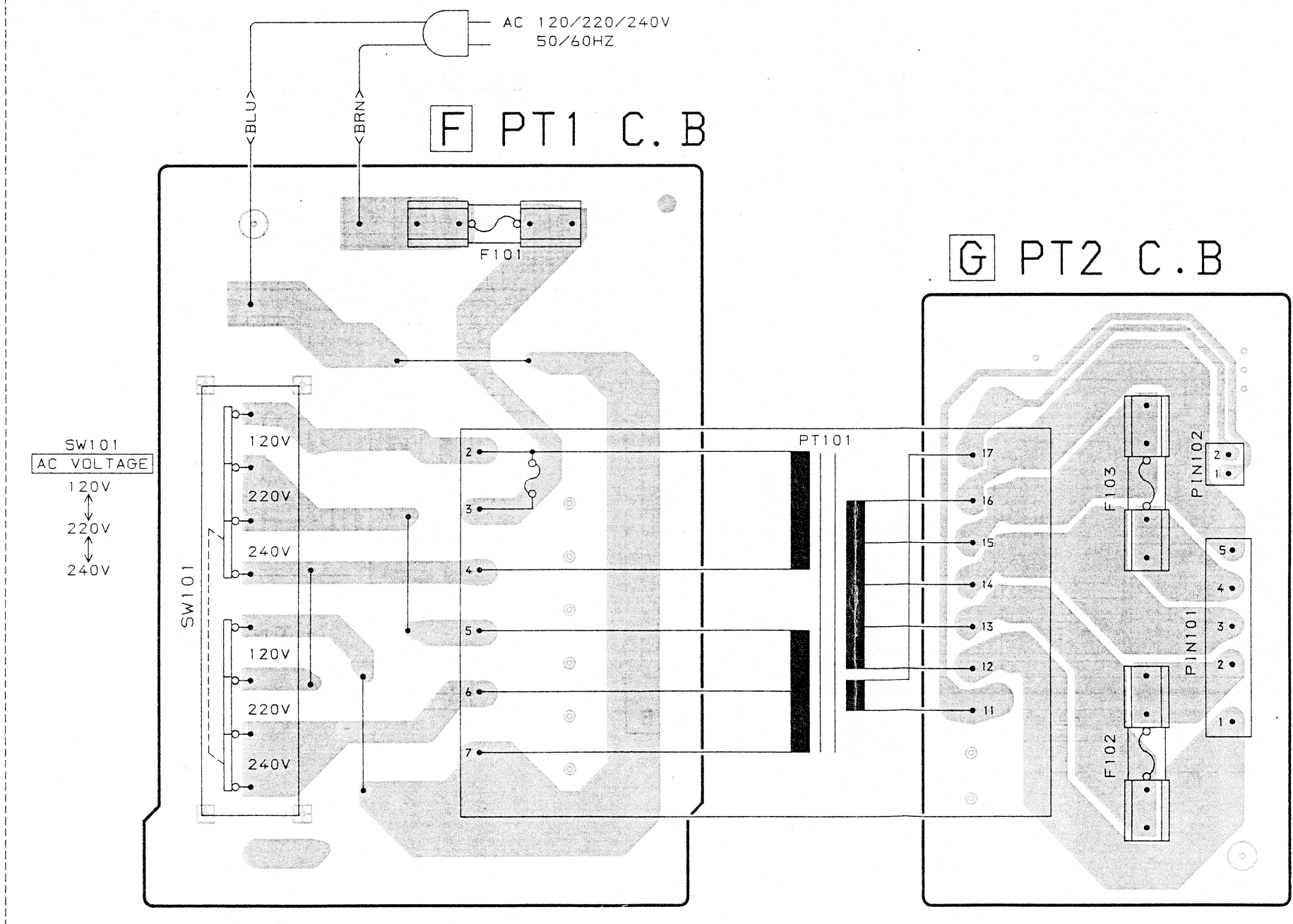
1 2 3 4 5 6 7 8 9 10 11

A
B
C
D
E
F
G
H
I
J
K
L
M
N
O

E2, K, EZ, EEZ MODELS

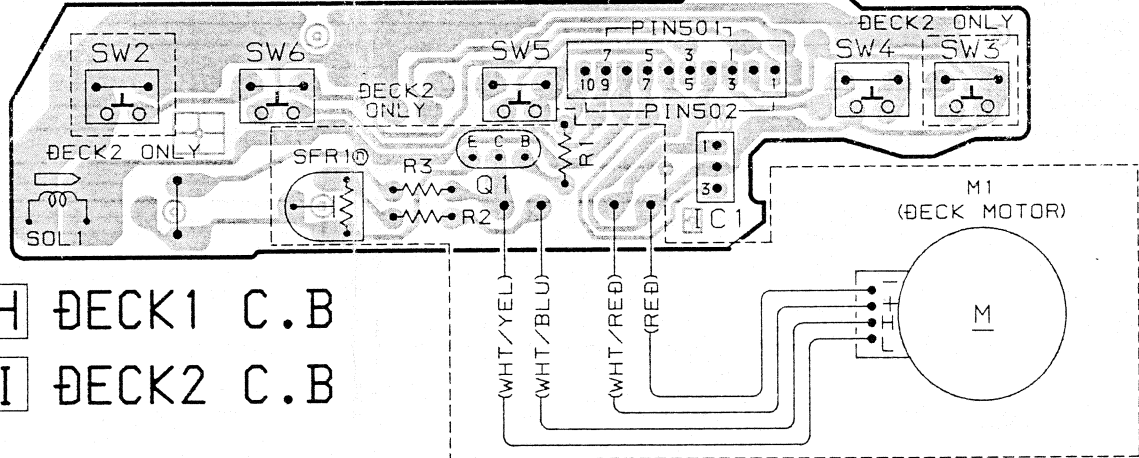
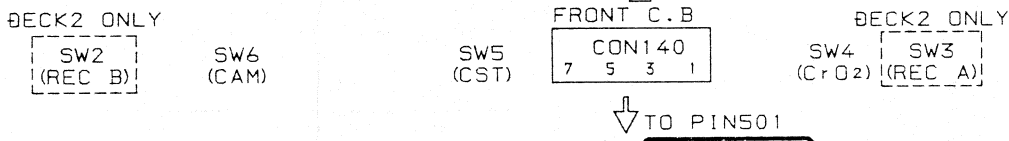
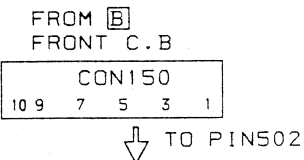
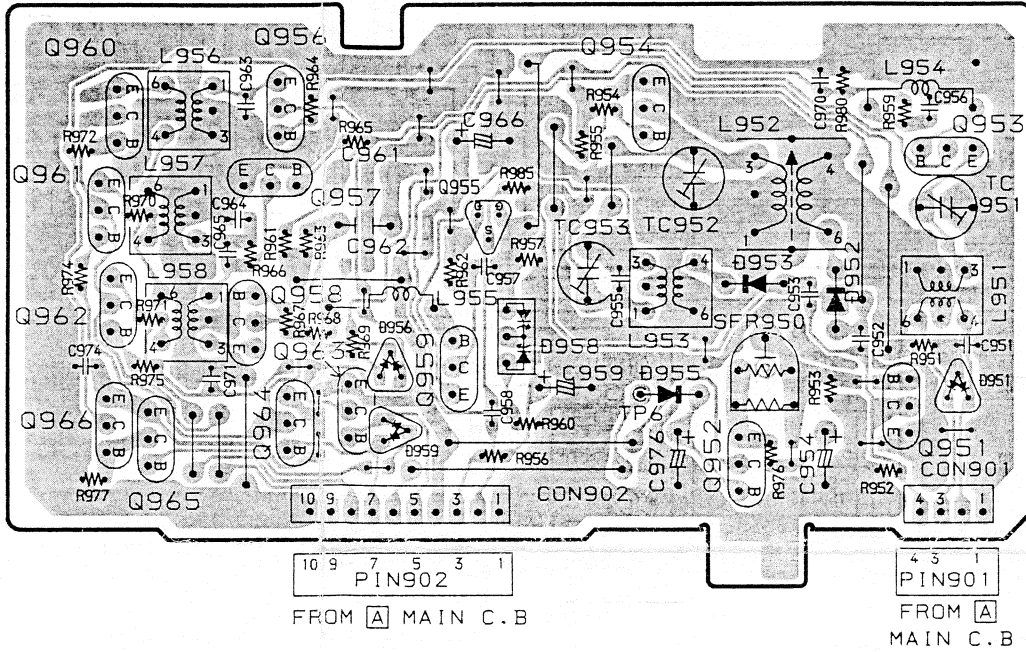


HR, N2200 LH MODELS

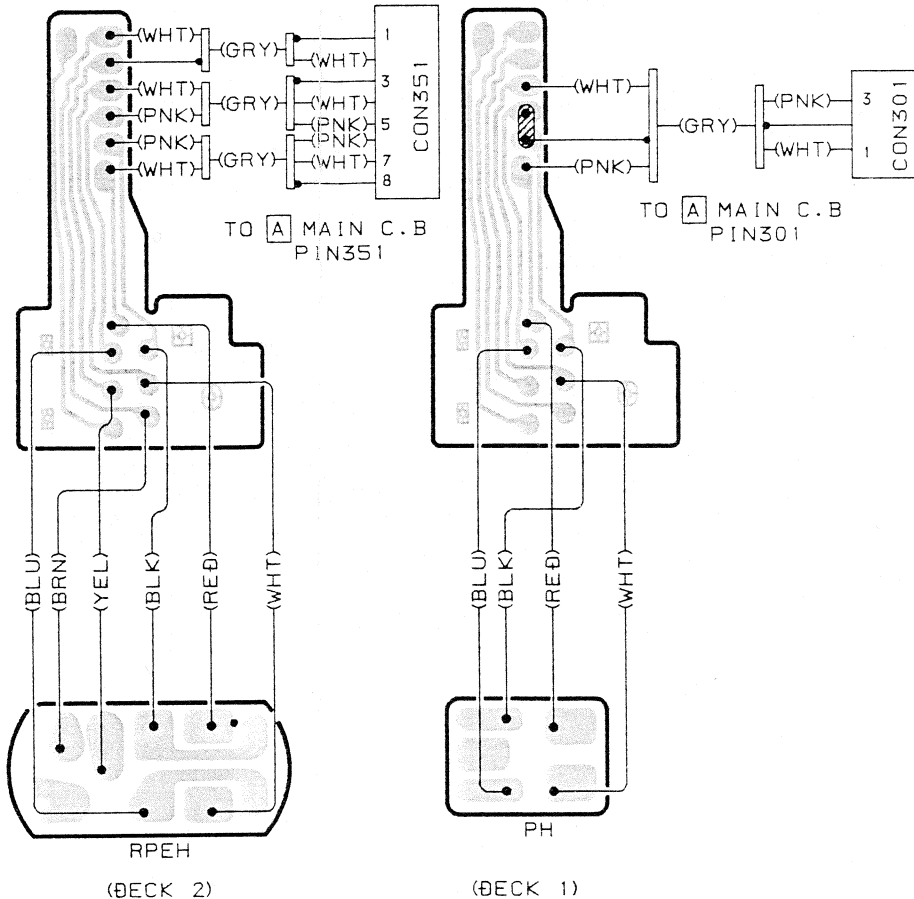


HR ONLY

E S. WAVE C.B



K RELAY-2 C.B **J** RELAY-1 C.B

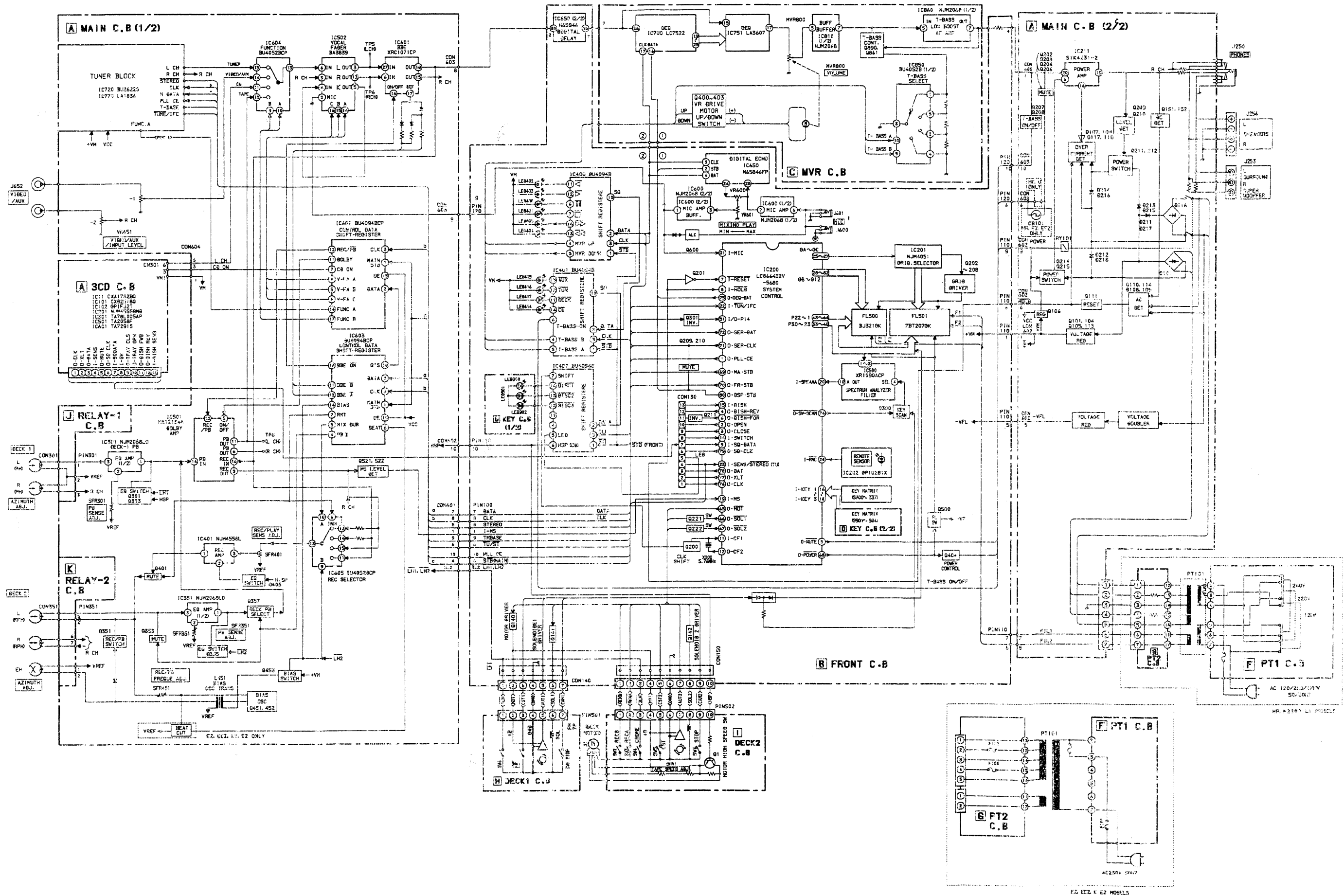


FROM [A] MAIN C.B
WH101

W101

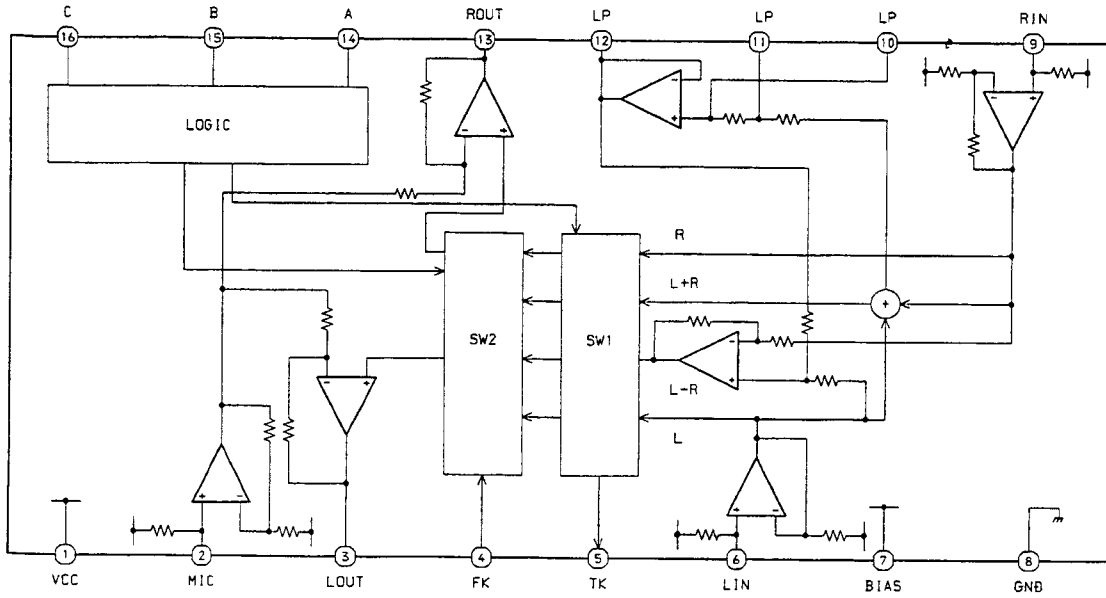
W101

BLOCK DIAGRAM-1 (MAIN / FRONT)

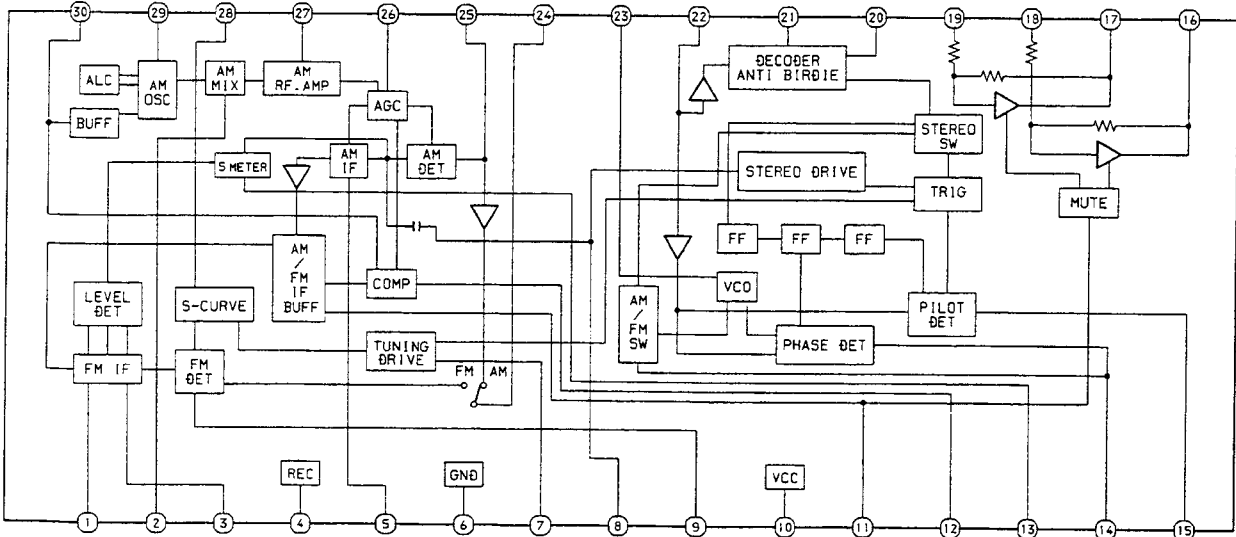


IC BLOCK DIAGRAM

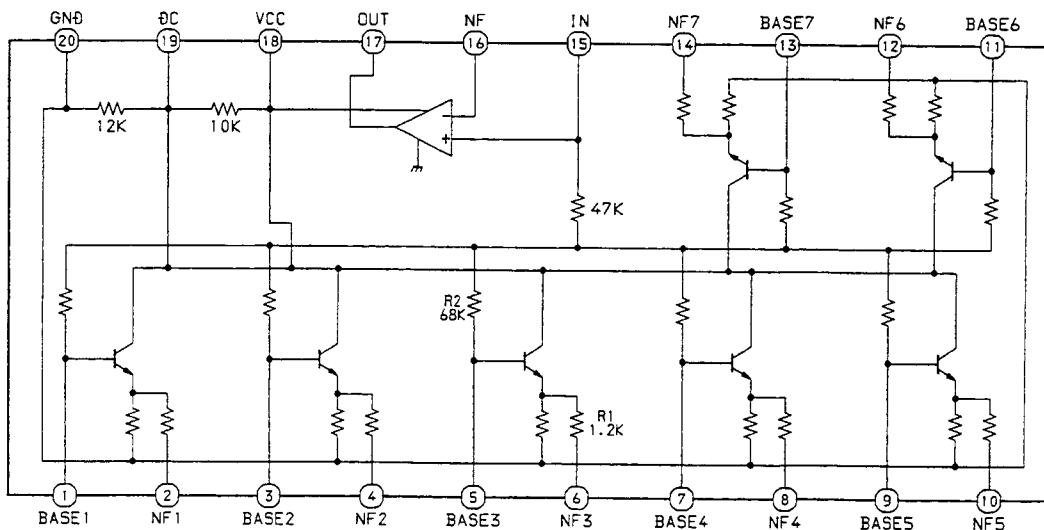
IC, BA3837



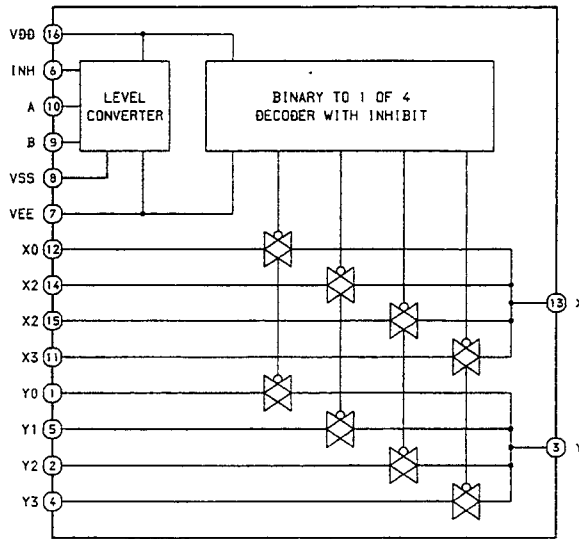
IC, LA1836



IC, LA3607



IC, BU4052BCF

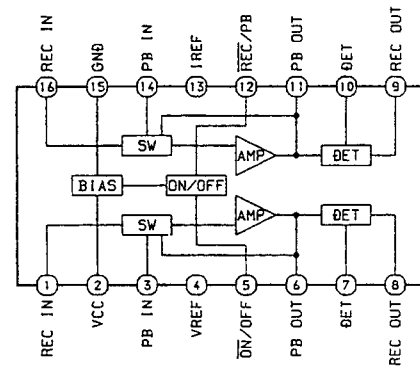


TRUTH TABLE

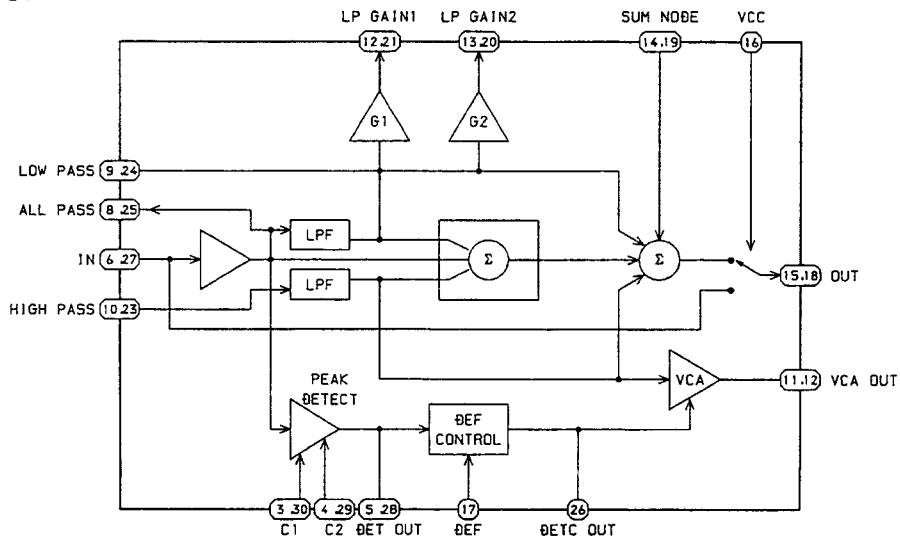
INHIBIT	A	B	NO SWITCH
L	L	L	X0 Y0
L	H	L	X1 Y1
L	L	H	X2 Y2
L	H	H	X3 Y3
H	X	X	NONE

X: DON'T CARE.

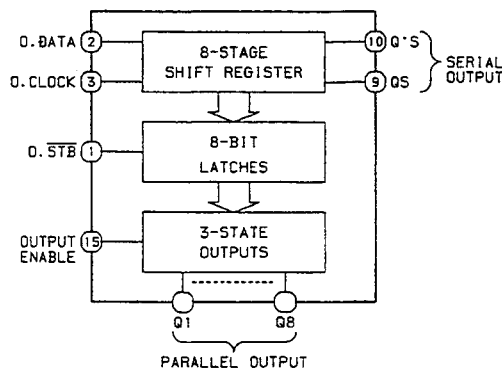
IC, HA12134A



IC, XR1071CP



IC, BU4094B/BF



TRUTH TABLE

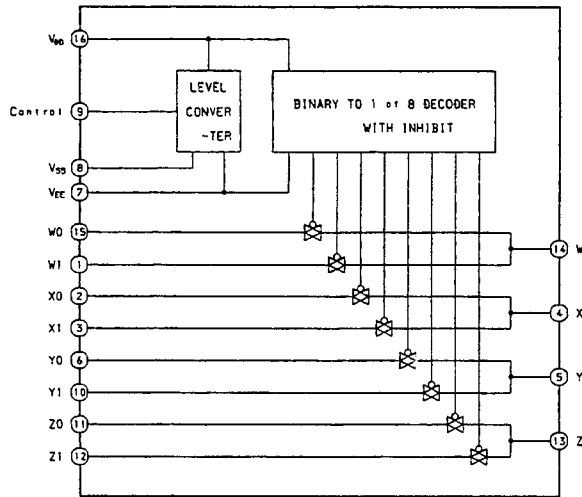
CLOCK	OUTPUT ENABLE	STROBE	DATA	PARALLEL OUTPUTS		SERIAL OUTPUTS	
				Q1	Qn	Q5	Q'S
L	L	x	x	Z	Z	Q7	NO CHG.
L	L	x	x	Z	Z	NO CHG.	Q5
L	H	L	x	NO CHG.	NO CHG.	Q7	NO CHG.
L	H	H	L	L	Qn-1	Q7	NO CHG.
L	H	H	H	H	Qn-1	Q7	NO CHG.
L	H	x	x	NO CHG.	NO CHG.	NO CHG.	Q5

Z = HIGH IMPEDANCE

x = DON'T CARE

- Q1: 0.00LBY ON
- Q2: 0.00LBY C
- Q3: 0.EXT.REC
- Q4: 0.INT.REC
- Q5: 0.PLAY
- Q6: 0.PB2
- Q7: 0.LED
- Q8: 0.RMT

IC, NJU4051BM

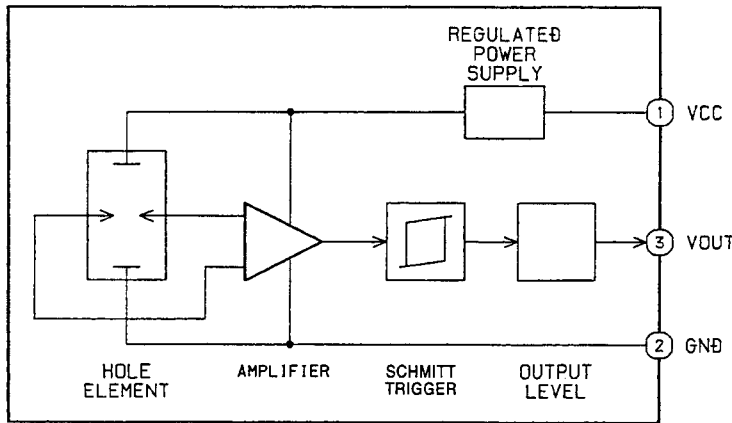


TRUTH TABLE

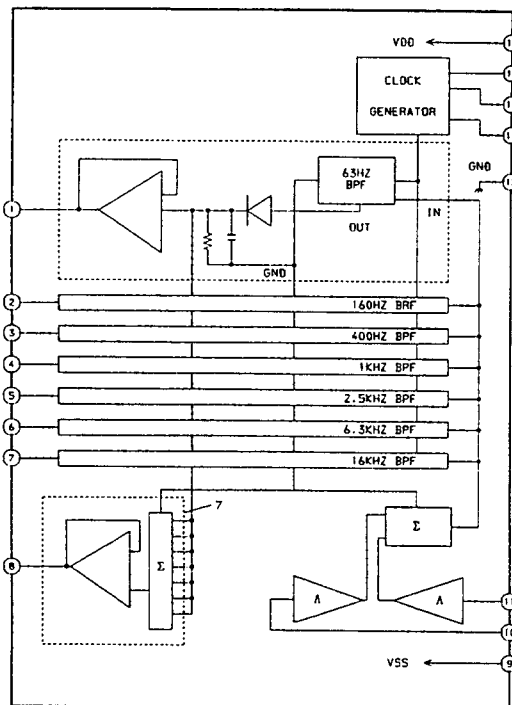
INHIBIT	A	B	C	ON SWITCH
L	L	L	L	X0
L	H	L	L	X1
L	L	H	L	X2
L	H	H	L	X3
L	L	L	H	X4
L	H	L	H	X5
L	L	H	H	X6
L	H	H	H	X7
H	X	X	X	NONE

X=Don't Care

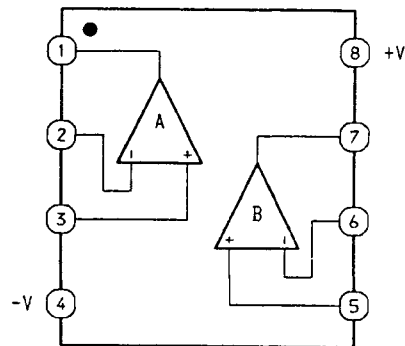
IC, DN6851



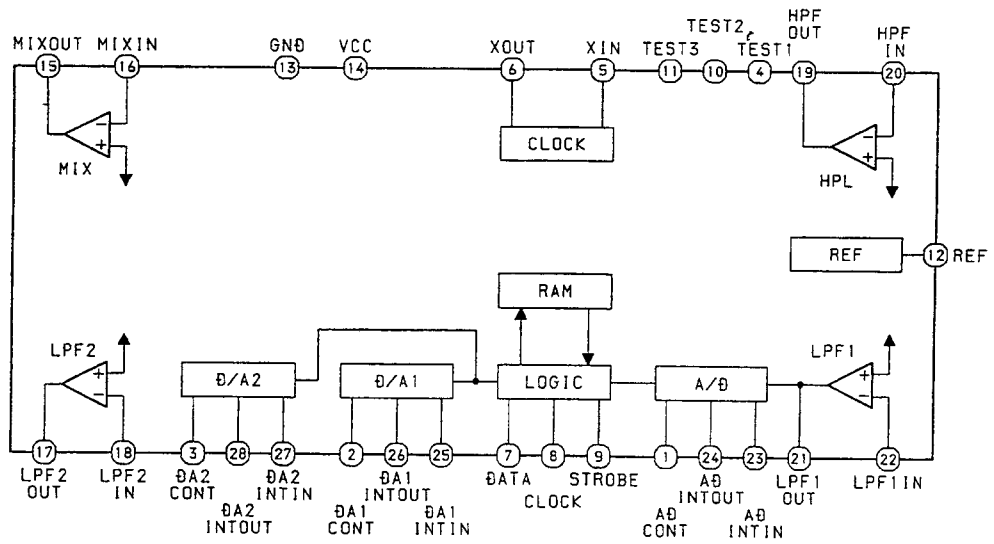
IC, XR1091



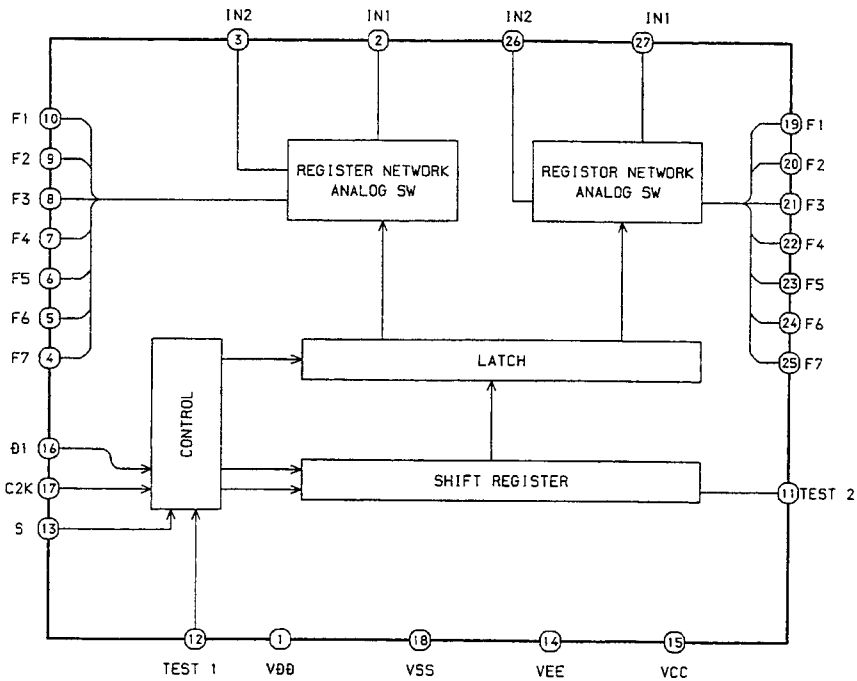
IC, NJM4558L



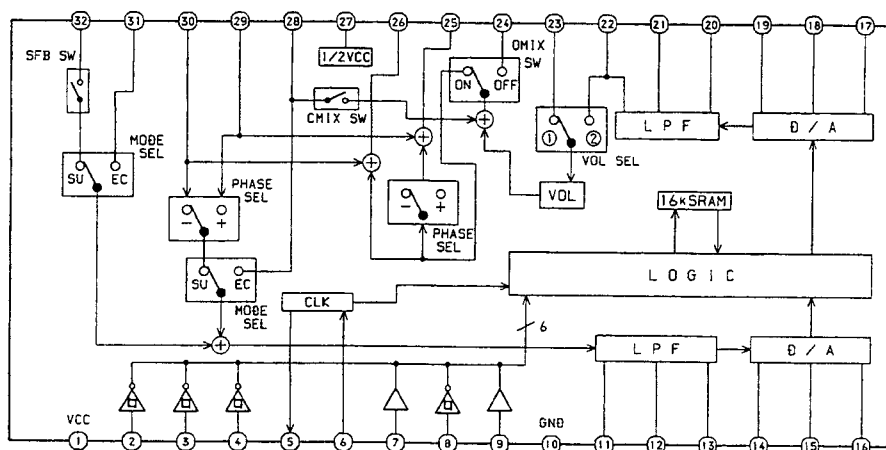
IC, M65840FP



IC, LC7522

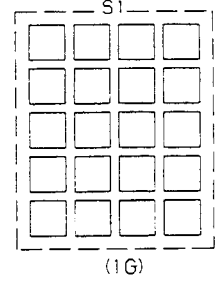
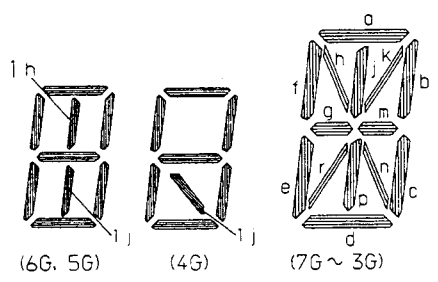
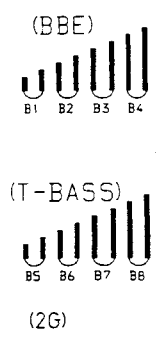
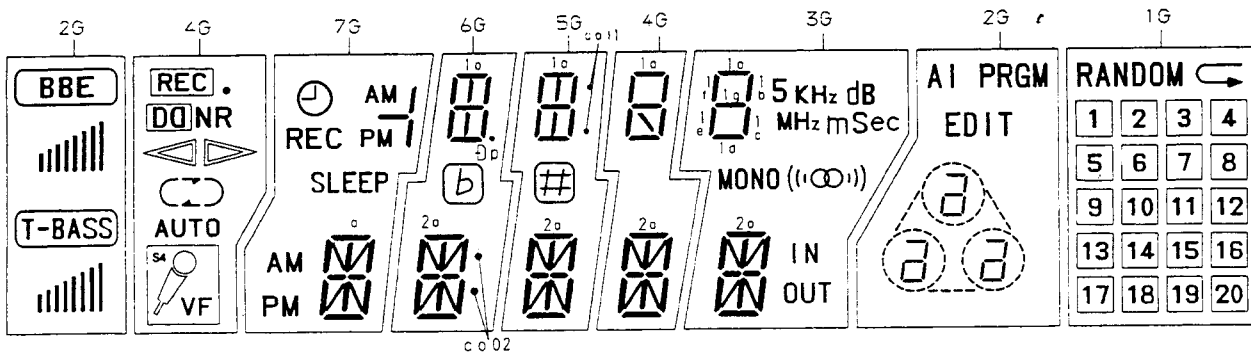


IC, M65840FP



FL (7-BT-207GK) GRID ASSIGNMENT / ANODE CONNECTION

GRID ASSIGNMENT

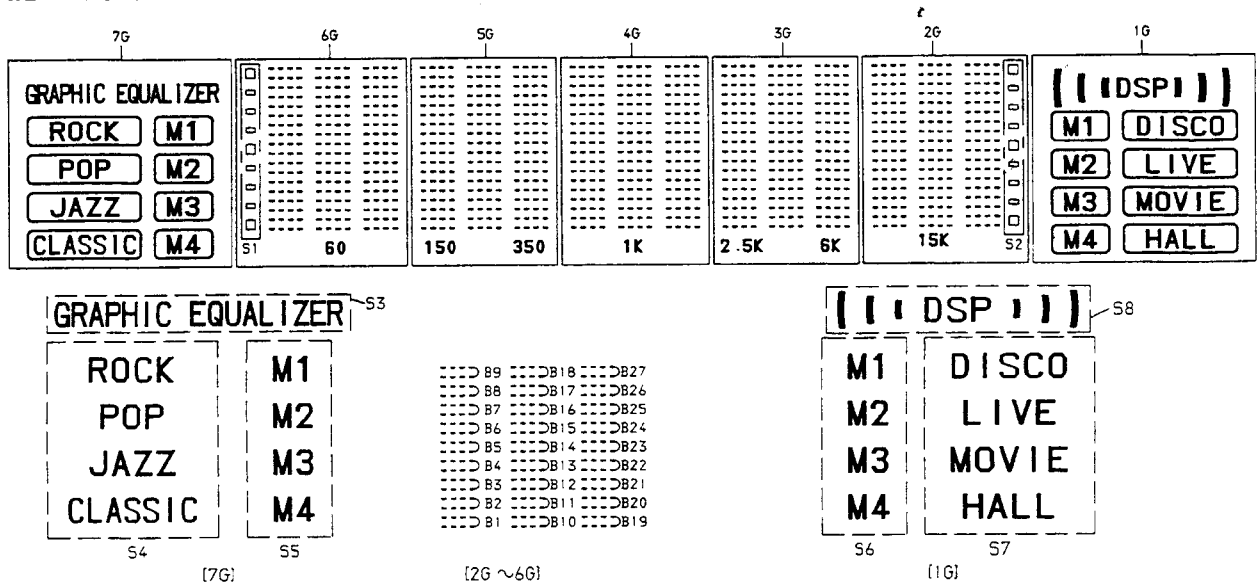


ANODE CONNECTION

	7G	6G	5G	4G	3G	2G	1G
P1	2d	2d	2c	2d	2d	n	20
P2	2j, 2p	2j, 2p	2j, 2p	2j, 2p	2j, 2p	o	19
P3	2n	2n	2h	2n	2n	3e	18
P4	2r	2r	2r	2r	2r	3c	17
P5	2c	2c	2c	2c	2c	3o, 3d, 3q	16
P6	2e	2e	2e	2e	2e	3b	15
P7	2m	2m	2m	2m	2m	2e	14
P8	2q	2q	2q	2q	2q	2c	13
P9	2f	2f	2f	2f	2f	2o, 2d, 2q	12
P10	2b	2b	2b	2b	2b	S3	11
P11	2k	2k	2k	2k	2k	j	10
P12	2h	2h	2h	2h	2h	h	9
P13	2o	2o	2o	2o	2o	k	8
P14	PM (DOWN)	c o l 2	(#)	S4	OUT	(BBE) B1	7
P15	AM (DOWN)	(b)	#	AUTO	IN	B2	6
P16	SLEEP	b	c o l l (DOWN)	<	((CO))	B3	5
P17	REC	o	c o l l (UP)	>	MONO	B4	4
P18	PM (UP)	1d	1d	1d	1d	2b	3
P19	AM (UP)	1h, 1j	1h, 1j	1j	—	1e	2
P20	—	1e	1e	1e	1e	b, 1d, 1q	1
P21	/	1c	1c	1c	1c	1c	RANDOM
P22	⌚	1g	1g	1g	1g	1b	G
P23	—	1f	1f	1f	1f	S2	—
P24	—	1b	1b	1b	1b	AI	—
P25	—	1o	1o	1o	1o	EDIT	—
P26	—	—	—	—	mSec	PRGM	—
P27	—	—	—	—	MHz	(T-BASS) B5	—
P28	—	—	—	Ⓚ	dB	B6	—
P29	—	—	—	Ⓚ	KHz	B7	—
P30	—	—	—	REC	5	B8	—
P31	—	—	—	Σ	—	T-BASS	S1
P32	—	—	—	—	—	BBE	—

FL (BJ321GK) GRID ASSIGNMENT / ANODE CONNECTION

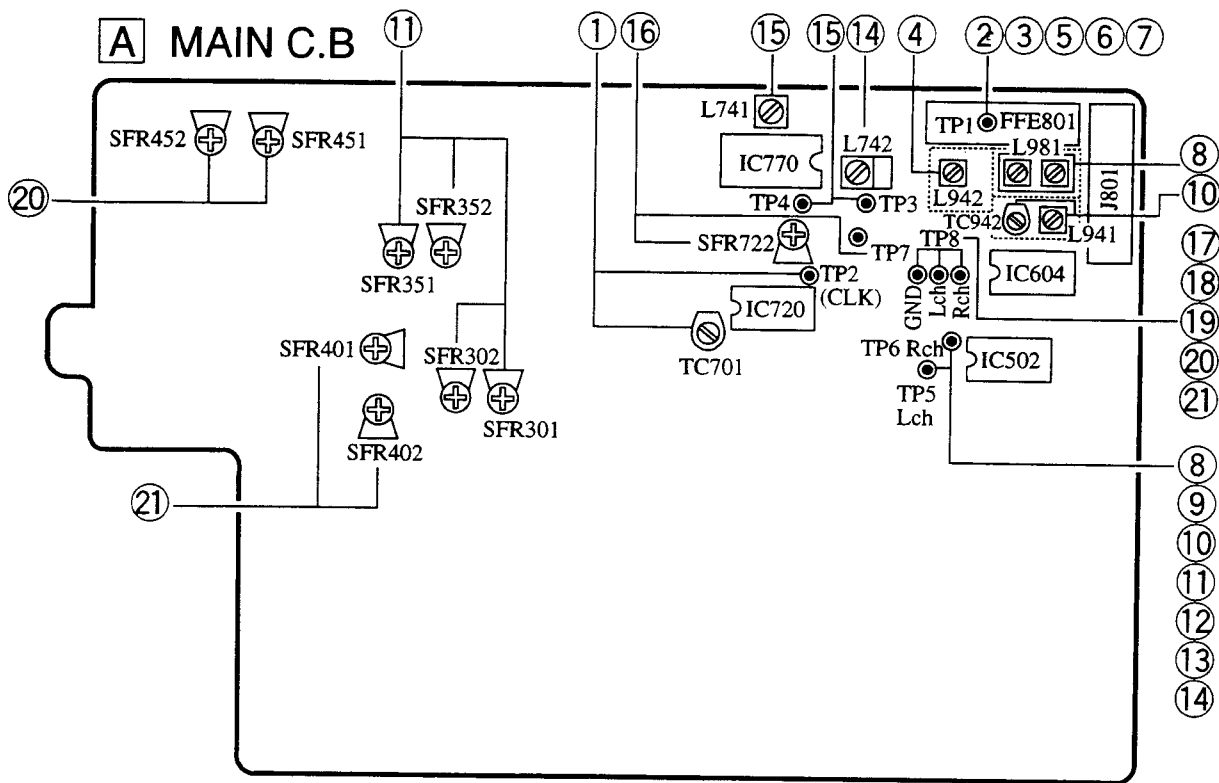
GRID ASSIGNMENT



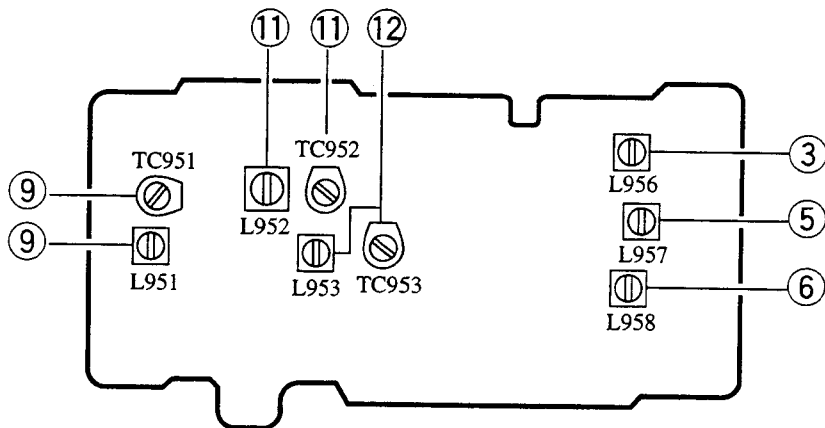
ANODE CONNECTION

	7G	6G	5G	4G	3G	2G	1G
P1	—	—	350	—	6K	Hz	—
P2	—	60	—	1K	—	15K	—
P3	—	—	150	—	2.5K	—	—
P4	—	B19	B19	B19	B19	B19	—
P5	—	B10	B10	B10	B10	B10	—
P6	—	B1	B1	B1	B1	B1	—
P7	—	B20	B20	B20	B20	B20	—
P8	—	B11	B11	B11	B11	B11	—
P9	—	B2	B2	B2	B2	B2	—
P10	—	B21	B21	B21	B21	B21	—
P11	—	B12	B12	B12	B12	B12	—
P12	—	B3	B3	B3	B3	B3	—
P13	—	B22	B22	B22	B22	B22	—
P14	—	B13	B13	B13	B13	B13	—
P15	—	B4	B4	B4	B4	B4	—
P16	—	B23	B23	B23	B23	B23	—
P17	—	B14	B14	B14	B14	B14	—
P18	—	B5	B5	B5	B5	B5	—
P19	—	B24	B24	B24	B24	B24	—
P20	—	B15	B15	B15	B15	B15	—
P21	—	B6	B6	B6	B6	B6	—
P22	—	B25	B25	B25	B25	B25	—
P23	(M4)	B16	B16	B16	B16	B16	(HALL)
P24	(CLASSIC)	B7	B7	B7	B7	B7	(M4)
P25	(M3)	B26	B26	B26	B26	B26	(MOVIE)
P26	(JAZZ)	B17	B17	B17	B17	B17	(M3)
P27	(M2)	B8	B8	B8	B8	B8	(LIVE)
P28	(POP)	B27	B27	B27	B27	B27	(M2)
P29	(M1)	B18	B18	B18	B18	B18	(DISCO)
P30	(ROCK)	B9	B9	B9	B9	B9	(M1)
P31	S5	S1	—	—	—	S2	S7
P32	S4	—	—	—	—	—	S6
P33	S3	—	—	—	—	—	S8

ELECTRICAL ADJUSTMENT

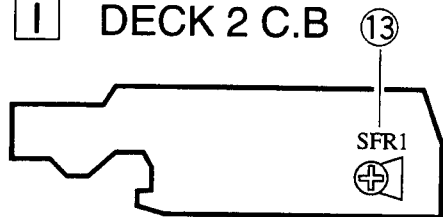


E S-WAVE C.B

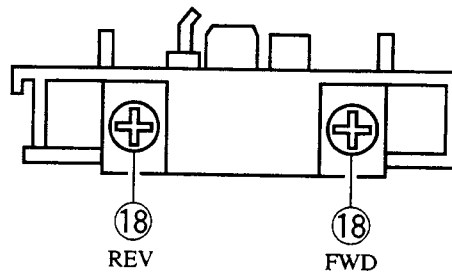


H DECK 1 C.B

I DECK 2 C.B



DECK-1P, DECK-2R/P/E HEAD



< TUNER SECTION >

Initialized Condition

DOLBY NR SW: OFF

MIC VR: MIN

MAIN VR: MIN

AUX VR: MAX

ECHO VR: MIN

BBE SW: OFF

1. Clock Frequency Adjustment

Settings: • Test point: TP2 (CLK)
• Adjustment location: TC701

Method: Set to AM (MW) 1710kHz (LH, HR), 1602kHz (E2, EZ, EEZ, K) and adjust TC701 so that the test point becomes $2160\text{kHz} \pm 0.01\text{kHz}$ (LH, HR), $2052\text{kHz} \pm 0.01\text{kHz}$ (E2, EZ, EEZ, K).
2. AM (MW) VT Check (LH, E2, EZ, EEZ, K)

Settings: • Test point: TP1 (VT)

Method: Set to AM (MW) 1710kHz (LH), 1602kHz (E2, EZ, EEZ, K) and check that the test point becomes $7.0\text{V} \pm 1.0\text{V}$ (LH), $6.8\text{V} \pm 1.0\text{V}$ (E2, EZ, EEZ, K).
3. MW VT Adjustment (HR)

Settings: • Test point: TP1 (VT)
• Adjustment location: L956

Method: Set to MW 1710kHz and adjust L956 so that the test point becomes $8.5\text{V} \pm 0.05\text{V}$. Then set to MW 530kHz and check that the test point is more than 0.4V.
4. LW VT Adjustment (E2, EZ, EEZ, K)

Settings: • Test point: TP1 (VT)
• Adjustment location: L942

Method: Set to LW 144kHz and adjust L942 so that the test point becomes $1.5\text{V} \pm 0.05\text{V}$.
5. SW1 VT Adjustment (HR)

Settings: • Test point: TP1 (VT)
• Adjustment location: L957

Method: Set to SW1 7.3MHz and adjust L957 so that the test point becomes $7.7\text{V} \pm 0.05\text{V}$.
6. SW2 VT Adjustment (HR)

Settings: • Test point: TP1 (VT)
• Adjustment location: L958

Method: Set to SW2 21.85MHz and adjust L958 so that the test point becomes $8.0\text{V} \pm 0.05\text{V}$.
7. FM VT Check

Settings: • Test point: TP1 (VT)

Method: Set to FM 87.5MHz and check that the test point is more than 1.0V. Then set to FM 108MHz and check that the test point is less than 8.0V.
8. AM (MW) Tracking Adjustment (LH, E2, EZ, EEZ, K)

Settings: • Test point: TP5, 6
• Adjustment location: L981

Method: Set to MW 1000kHz (LH), 999kHz (E2, EZ, EEZ, K) and adjust so that the test point is less than 56dB (S/N 20dB).
9. MW Tracking Adjustment (HR)

Settings: • Test point: TP5, TP6
L951 600kHz
TC951 1400kHz
10. LW Tracking Adjustment (E2, EZ, EEZ, K)

Settings: • Test point: TP5, 6
L941 144kHz
TC942 290kHz
11. SW1 Tracking Adjustment (HR)

Settings: • Test point: TP5, TP6
L952 3.2MHz
TC942 7.3MHz
12. SW2 Tracking Adjustment (HR)

Settings: • Test point: TP5, TP6
L953 9.5MHz
TC953 21.85MHz
13. FM Tracking Check point

Settings: • Test point: TP5, TP6
• Check that the test point is 98.0MHz.
14. AM IF Adjustment

Settings: • Test point: TP5, TP6
L742 450kHz
15. DC Balance/Mono Distortion Adjustment

Settings: • Test point: TP3, TP4 (DC balance)
TP5, TP6 (Distortion)
• Adjustment location: L741
• Input level: 54dB

Method: Set to FM 98.0MHz and adjust L741 so that the voltage between TP3 and TP4 becomes $0\text{V} \pm 0.04\text{V}$. Next, check that the distortion is less than 1.3%.
16. FM Auto Stop Level Adjustment

Settings: • Test point: TP7
• Adjustment location: SFR722
• Input level: 16dB

Method: Set to FM 98.0MHz and adjust auto stop level to TP7 low voltage (0.01V) by SFR722. After that high voltage (7.0V) out by 2dB down.

< DECK SECTION >

17. Tape Speed Adjustment

- Settings:
- Test tape: TTA-100 (DECK2)
 - Test point: TP8
 - Adjustment location: SFR1

Method: Play back the test tape by DECK2 and adjust SFR1 so that the frequency counter reads $3000\text{Hz} \pm 5\text{Hz}$.

18. Azimuth Adjustment (DECK1, DECK2)

- Settings:
- Test tape: TTA-310
 - Test point: TP8
 - Adjustment location: Head azimuth adjustment screw

Method: Play back the 10kHz signal of the test tape and adjust screw so that the output becomes maximum.

19. PB Sensitivity Adjustment

- Settings:
- Test tape: TTA-200
 - Test point: TP8
 - Input signal: 1kHz/10kHz (AUX-28dB)
 - Adjustment location:
SFR301 (DECK1, Lch)
SFR302 (DECK1, Rch)
SFR351 (DECK2, Lch)
SFR352 (DECK2, Rch)

Method: Play back the test tape and adjust SFRs so that the output level of the test point becomes 315mV (DECK1), 300mV (DECK2).

20. REC/PB Frequency Response Adjustment

- Settings:
- Test tape: TTA-602
 - Test point: TP8
 - Input signal: 1kHz/10kHz (VCR/AUX IN)
 - Adjustment location: SFR451 (Lch)
SFR452 (Rch)

Method: Establish the record mode. Adjust the TP8 signal to 210mV and attenuate to -20dB. Record and playback 1kHz and 10kHz. Adjust SFR so that level difference between 1kHz and 10kHz is $0\text{dB} \pm 0.5\text{dB}$.

21. REC/PB Sensitivity Adjustment (DECK2)

- Settings:
- Test tape: TTA-602
 - Test point: TP8
 - Input signal: 1kHz/10kHz (VCR/AUX IN)
 - Adjustment location: SFR401 (Lch)
SFR402 (Rch)

Method: Apply a 1kHz signal and REC mode. Then adjust OSC attenuator so that the output level at the TP8 becomes 21mV. Record and play back the 1kHz signals and adjust SFRs so that the output is $21\text{mV} \pm 0.5\text{dB}$.

PRACTICAL SERVICE FIGURE

TUNER SECTION

<FM SECTION>

IHF Sensitivity: (THD 3%)	6dB±4dB (87.5/98.0/108.0MHz)
S/N 50dB Quieting sensitivity:	Less than 40dB (87.5/98.0/108.0MHz)
Signal to noise ratio:	More than 64dB (98.0MHz)
Distortion:	Less than 1.2% (98.0MHz)
Stereo separation:	HR, LH: More than 25dB (98.0MHz) E2, EZ, EEZ, K: More than 20dB (98.0MHz)
Intermediate frequency:	10.7MHz

<MW (AM) SECTION>

Sensitivity: (S/N 20dB)	54dB+8, -6dB (600/603kHz) 53±6dB (1000/999kHz) 53±6dB (1400/1404kHz)
Distortion:	Less than 1.5% (1000/999kHz)
Stereo separation:	More than 12dB (1000/999kHz)
Intermediate frequency:	450kHz

<LW SECTION> (E2, EZ, EEZ, K)

Sensitivity: (S/N 20dB)	66dB±5dB (144kHz) 63dB±5dB (198kHz) 62dB±5dB (290kHz)
Distortion:	Less than 1.5% (198kHz)

<SW1 SECTION> (HR)

Sensitivity: (S/N 20dB)	32dB+5dB, -3dB (3.2MHz) 29dB+5dB, -3dB (5.0MHz) 27dB+5dB, -3dB (7.3MHz)
Distortion:	Less than 1.5% (5.0MHz)

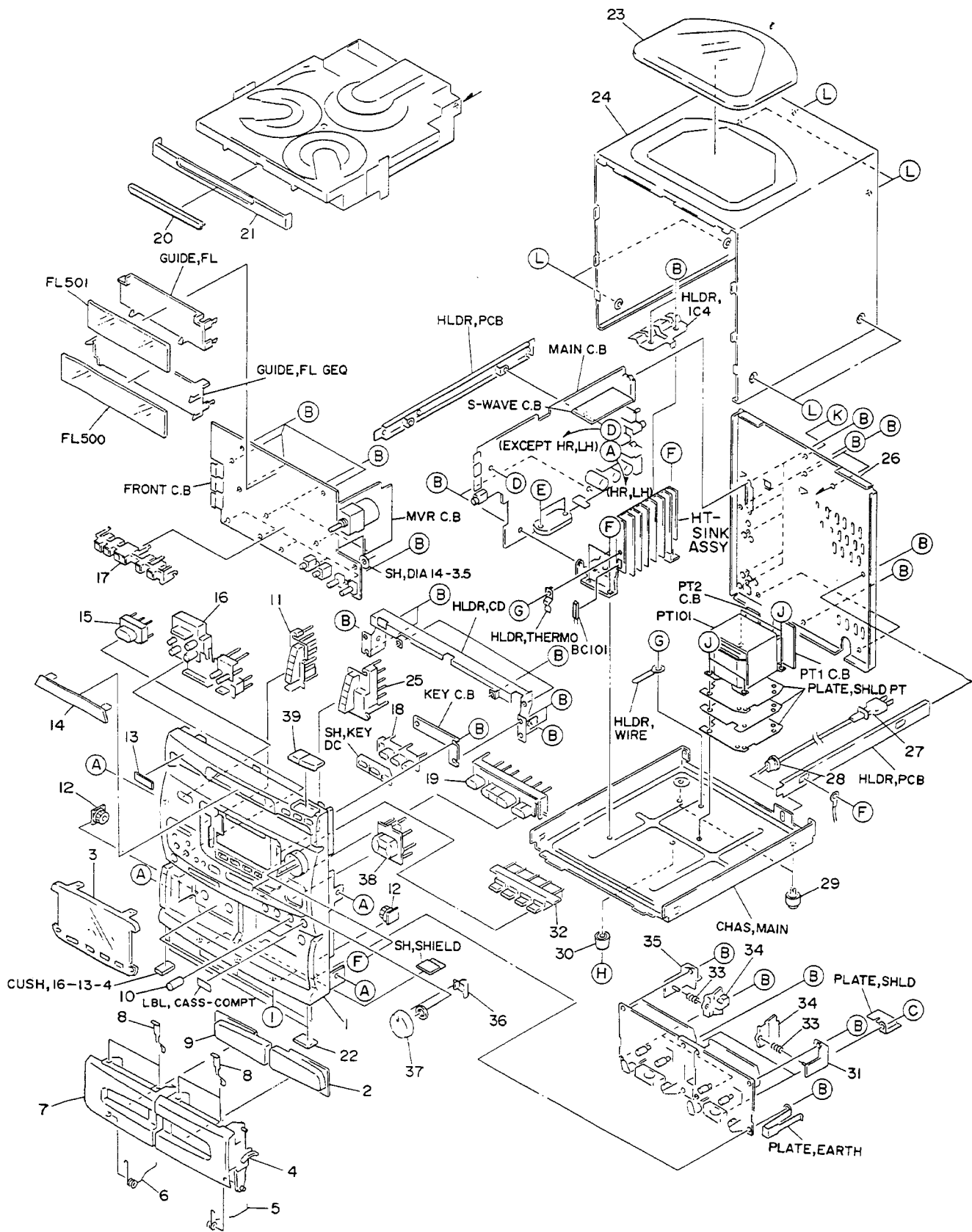
<SW2 SECTION> (HR)

Sensitivity: (S/N 20dB)	45dB±5dB (9.5MHz) 40dB±5dB (15MHz) 34dB±5dB (21.85MHz)
Distortion:	Less than 1.5% (15MHz)

DECK SECTION

Tape speed:	3000Hz±1.5%
Wow & flutter: (W.R.M.S)	Less than 0.4%
Take-up torque:	30~55g-cm (FWD, REV)
F.F torque:	75~180g-cm
Rew torque:	75~180g-cm
Back tension:	2~7.0g-cm
PB Output level:	(DECK1) 1.4V±2.0dB, -1.0dB (SP OUT) (DECK2) 2.8V±1.5dB (SP OUT) 3.0V±2.0dB (SP OUT)
REC/PB Output level:	3.0V±2.0dB (SP OUT)
Distortion (REC/PB):	Less than 2% (NORM, CrO ₂)
Noise level (REC/PB):	Less than 16mV/35mV (DOLBY B NR ON/OFF NORM, SP OUT, Vol 2V) Less than 13mV/23mV (DOLBY B NR ON/OFF CrO ₂ , SP OUT, Vol 2V)
Crosstalk:	More than 60dB (1kHz, 0VU)
Erasing ratio:	More than 60dB (125Hz)
Channel separation:	More than 40dB (1kHz, 0VU)
REC bias frequency:	85kHz
Test tape:	NORMAL TTA-601/600 CrO ₂ TTA-610 METAL TTA-630

MECHANICAL EXPLODED VIEW 1 / 1

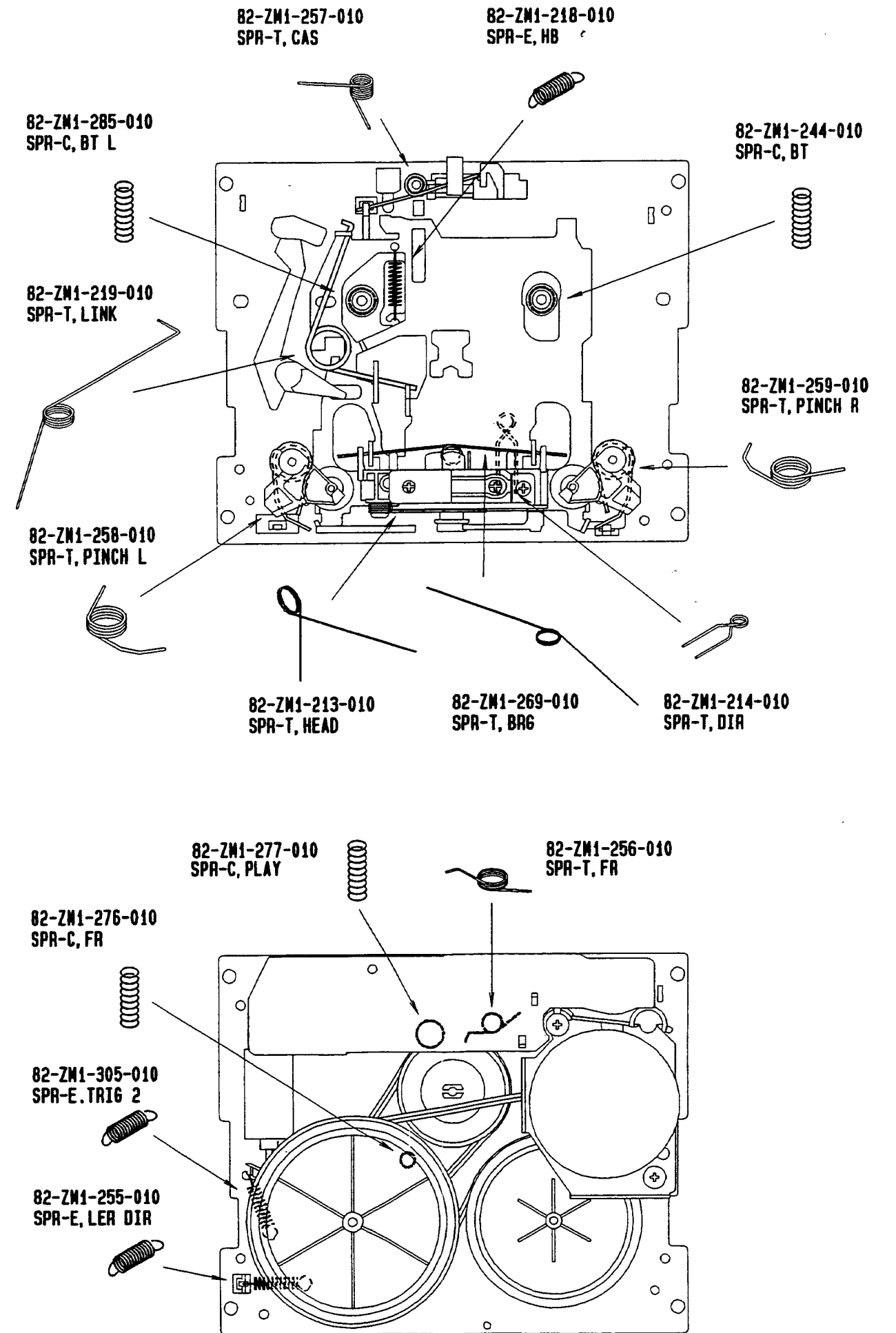


MECHANICAL PARTS LIST 1 / 1

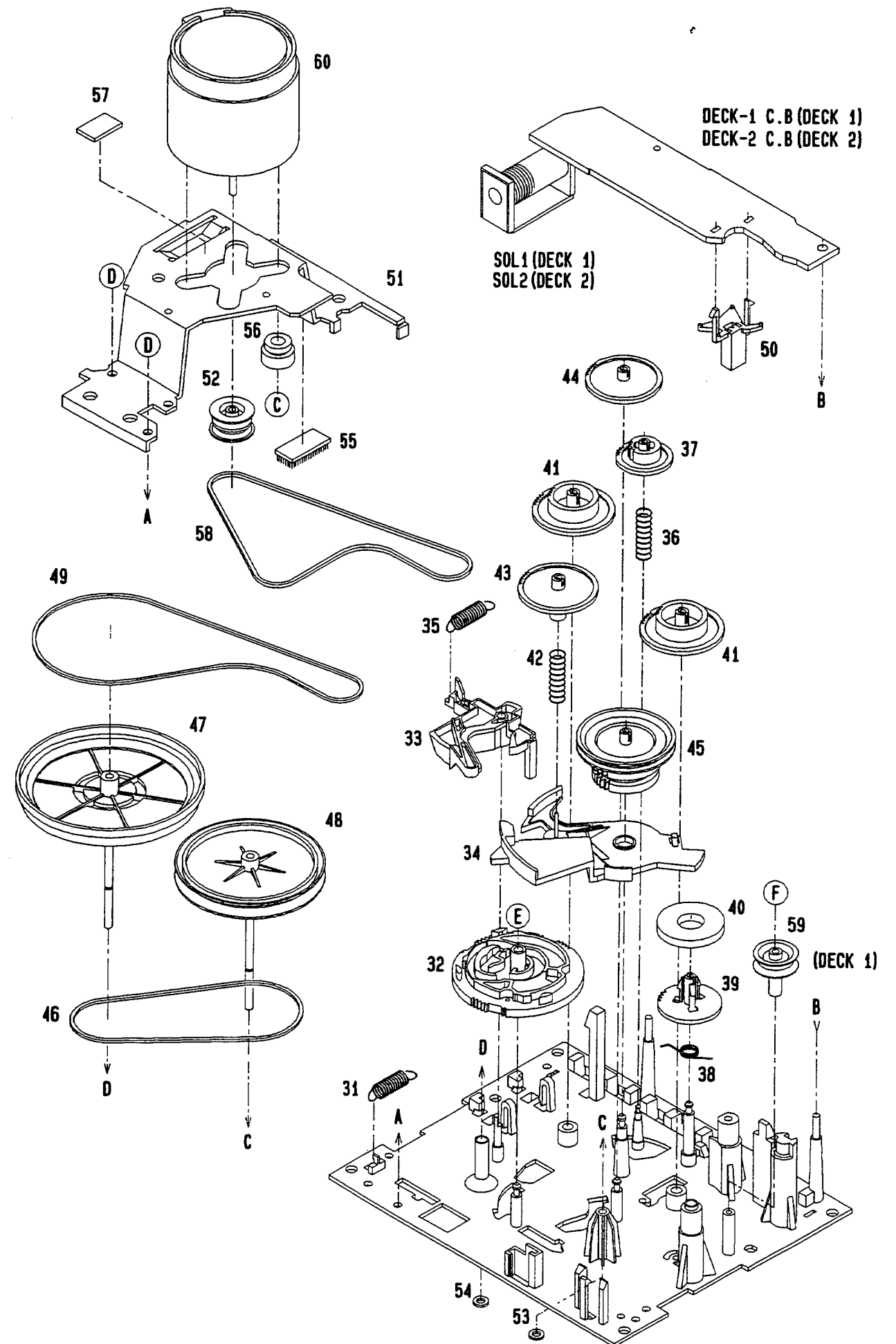
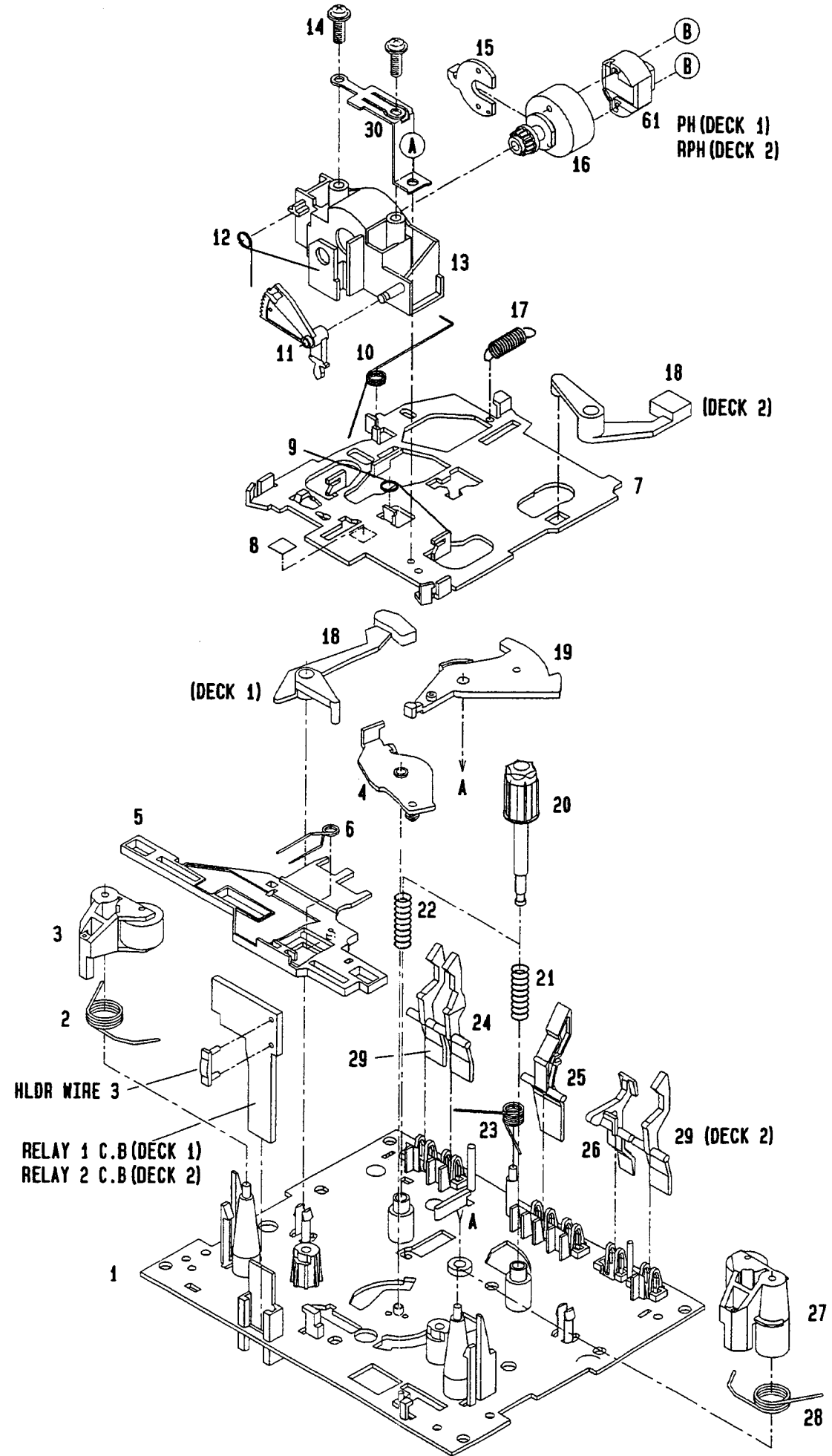
DESCRIPTIONで判断できない物は“REFERENCE NAME LIST”を参照してください。
If can't understand for Description please kindly refer to “REFERENCE NAME LIST”.

REF. NO	PART NO.	カリ NO.	DESCRIPTION	REF. NO	PART NO.	カリ NO.	DESCRIPTION
1	84-NF6-026-019		CABI, FR 2200<LH>	27	87-050-091-018		AC CORD ASSY, K 3P<K>
1	84-NF6-001-01S		CABI, FR E MK2<K, EEZ, E2, EZ>	27	87-050-016-018		AC CORD ASSY, E<EEZ, E2, EZ>
1	84-NF6-020-019		CABI, FR H MK2<HR>	27	87-050-079-019		AC CORD ASSY, E<HR, LH>
2	83-NF6-025-019		WINDOW, CASS 2	28	87-085-184-010		BUSHING, AC CORD E
3	84-NF6-017-019		WINDOW, DISPLAY MK2	29	87-085-213-019		FOOT, H12.5
4	84-NF6-006-01S		BOX, CASS 2 MK2<K, EEZ, E2, EZ>	30	80-DW3-020-010		FOOT, H14.5
4	84-NF6-022-019		BOX, CASS 2 H MK2<HR, LH>	31	82-NF5-227-019		HLDR, LOCK 2N
5	82-NF5-219-019		SPR-T, EJECT 2 (SIN)	32	83-NF6-014-019		KEY ASSY, FUN
6	82-NF5-218-019		SPR-T, EJECT 1 (SIN)	33	82-NF5-228-019		SPR-C, LOCK
7	84-NF6-021-019		BOX, CASS 1 H MK2<HR, LH>	34	82-NF5-229-019		PLATE, LOCK
7	84-NF6-005-01S		BOX, CASS 1 MK2<K, EEZ, E2, EZ>	35	82-NF5-226-019		HLDR LOCK 1N
8	80-CD3-218-118		SPR-P CASS	36	83-NF5-010-019		IND, VOL
9	83-NF6-024-019		WINDOW, CASS 1	37	84-NF6-015-019		KNOB, RTRY VOL MK2
10	84-NF6-018-019		KNOB, RTRY MIC MK2	38	84-NF6-011-019		KEY, CURSOR MK2
11	84-NF6-010-019		KEY, GEQ MK2	39	84-NF6-013-019		KEY, OPEN MK2
12	87-063-165-019		OIL-DMPR 150	A	87-591-094-419		QIT + 3 - 6 GOLD
13	82-NE6-067-019		BADGE AIWA 30N	B	87-067-703-019		BVT2+3-10 (W/O SLOT)
14	83-NF6-021-019		WINDOW, CD	C	87-571-032-419		VIT+2-3
15	84-NF6-008-019		KEY, POWER MK2	D	87-067-633-019		BVT2+3-8 W/CONVEX
16	84-NF6-014-019		KEY, T-BASS MK2	E	87-067-581-019		BVT2+3-15 W/O SLOT
17	83-NF6-203-019		GUIDE, PLAY	F	87-067-579-019		BVT 2+3-8 W/O SLOT
18	83-NF6-013-219		KEY, DISC	G	87-067-584-019		BVT2+3-6 W/O SLOT
19	84-NF6-012-019		KEY, PLAY MK2	H	87-067-758-019		BVT2+3-12 (W/O SLOT)
20	84-NF6-016-019		WINDOW, DUMMY MK2	I	87-067-716-019		BVT2+3-6 BLK
21	84-NF6-007-019		PANEL, TRAY MK2	J	87-078-083-019		BUTT SEMS+4-8SW
22	80-VT1-202-019		FELT, 12.5-15.5-2	K	87-067-058-019		FW, 3.2-8-0.5
23	83-NF5-021-019		WINDOW, TOP	L	87-078-165-019		UTT2+3-6W/O SLOT BLK
24	83-NF6-002-119		CAB, STEEL<HR, LH>				
24	83-NF6-056-018		CAB, STEEL (G)<K, EEZ, E2, EZ>				
25	84-NF6-009-019		KEY, DSP MK2				
26	84-NF6-004-01S		PANEL, REAR E2BNE<E2>				
26	84-NF6-002-01S		PANEL, REAR EZBNE<EEZ, EZ>				
26	84-NF6-023-019		PANEL, REAR HRJENM<HR>				
26	84-NF6-003-01S		PANEL, REAR KBNE<K>				
26	84-NF6-027-019		PANEL, REAR LHBNM<LH>				

SPRING APPLICATION POSITION



TAPE MECHANISM EXPLODED VIEW 1 / 1



TAPE MECHANISM PARTS LIST 1 / 1

DESCRIPTIONで判断できない物は“REFERENCE NAME LIST”を参照してください。
If can't understand for Description please kindly refer to “REFERENCE NAME LIST”.

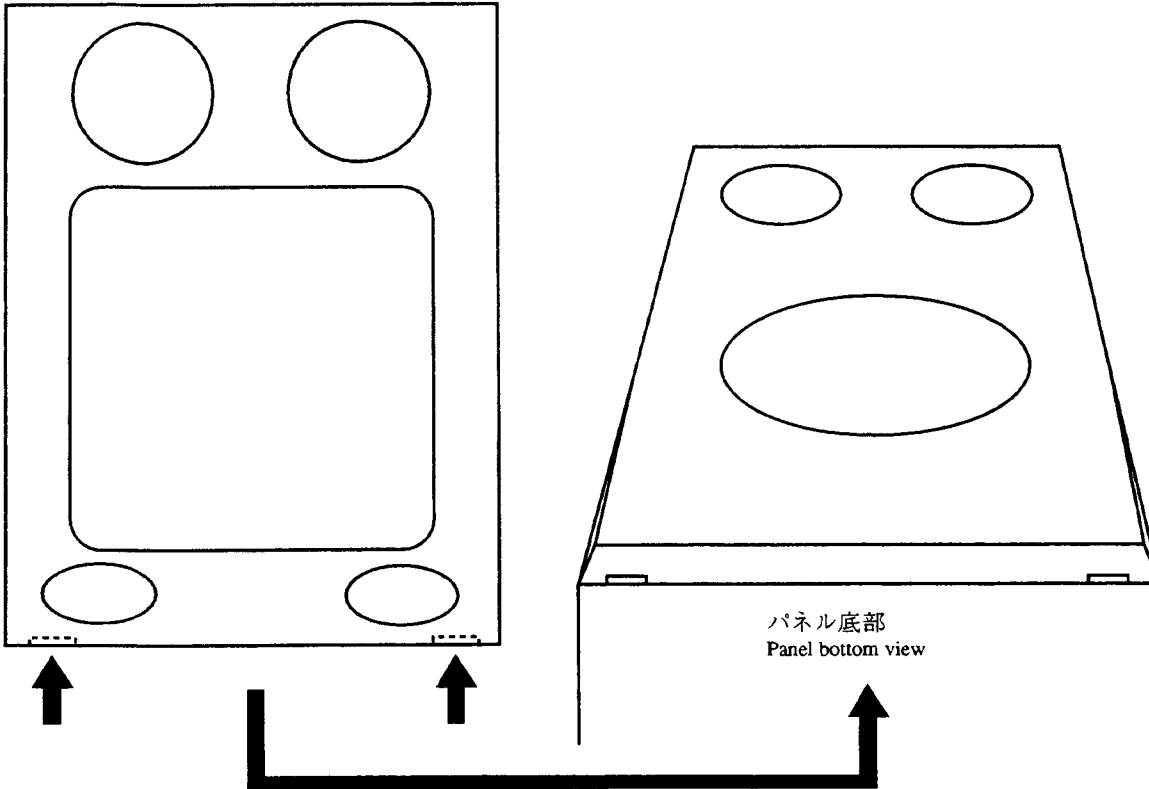
REF. NO	PART NO.	カソリ NO.	DESCRIPTION	REF. NO	PART NO.	カソリ NO.	DESCRIPTION
1	82-ZM3-214-110		CHAS ASSY, P (DECK 1)	39	82-ZM1-220-210		GEAR, IDLER
1	82-ZM1-299-010		CHAS ASSY, R (DECK 2)	40	80-ZM6-217-010		RING MAGNET 2
2	82-ZM1-258-010		SPR-T, PINCH L	41	82-ZM1-216-210		GEAR, REEL
3	82-ZM1-248-110		LVR ASSY, PINCH L	42	82-ZM1-276-010		SPR-C, FR
4	82-ZM1-295-210		PLATE ASSY, LINK	43	82-ZM1-225-010		GEAR, FR
5	82-ZM1-266-010		LVR, DIR	44	82-ZM1-226-010		GEAR, REW
6	82-ZM1-214-010		SPR-T, DIR	45	82-ZM1-228-210		SLIP DISK ASSY
7	82-ZM1-206-210		CHAS, HEAD	46	82-ZM1-261-110		BELT, FR
8	87-078-014-010		SH, 5-5-0, 05	47	82-ZM1-237-210		FLY-WHL ASSY, R (DECK 2)
9	82-ZM1-269-010		SPR-T, BRG	47	82-ZM3-209-110		FLY-WHL ASSY, R2 (DECK 1)
10	82-ZM1-219-010		SPR-T, LINK	48	82-ZM1-234-110		FLY-WHL ASSY, L (DECK 2)
11	82-ZM1-210-010		GEAR, H T	48	82-ZM3-207-210		FLY-WHL ASSY, L2 (DECK 1)
12	82-ZM1-213-010		SPR-T, HEAD	49	82-ZM3-206-010		BELT, R
13	82-ZM1-207-010		GUIDE, TAPE	50	82-ZM1-245-210		HLDR, IC
14	82-ZM1-283-210		S-SCREW, AZIMUTH	51	82-ZM3-201-010		HLDR, MC
15	82-ZM1-209-010		PLATE, HEAD	52	82-ZM3-202-010		PULLEY, MOT 2M
16	82-ZM1-208-010		HLDR, HEAD	53	82-ZM1-288-010		SH, 1. 63-3. 2-0. 5 SLT
17	82-ZM1-218-010		SPR-E, HB	54	80-ZM6-243-010		SH, 1. 75-3. 6-0. 5 SLT
18	82-ZM1-263-110		LVR, EJECT L (DECK 1)	55	80-ZM6-230-010		SH, BELT
18	82-ZM1-264-010		LVR, EJECT R (DECK 2)	56	86-575-242-010		CUSH-G, DIA3. 7-9-3. 2
19	82-ZM1-222-010		LVR, PLAY	57	86-575-361-010		CUSH-G, 6-8-0. 8
20	82-ZM1-217-110		REEL TABLE	58	82-ZM3-205-010		BELT, L
21	82-ZM1-244-110		SPR-C, BT	59	82-ZM3-204-010		PULLEY, COUPLER (DECK 1)
22	82-ZM1-285-110		SPR-C, BT L	60	87-045-347-010		MOT, SHU2L 70(M1)
23	82-ZM1-257-010		SPR-T, CAS	61	87-046-355-010		HEAD, PH HADKH2529B(PH)
24	82-ZM1-241-110		LVR, MC	61	87-046-356-010		HEAD, RPH HADKH5581B(RPH)
25	82-ZM1-242-010		LVR, CAS	A	87-585-036-410		UIT+2-8
26	82-ZM1-243-010		LVR, STOP	B	80-ZM6-207-010		V+1. 6-7
27	82-ZM1-253-110		LVR ASSY, PINCH R	C	82-ZM1-309-010		S-SCRW, MOTOR
28	82-ZM1-259-010		SPR-T, PINCH R	D	87-067-178-010		VTT+2. 6-3
29	82-ZM1-240-110		LVR, REC (DECK 2)	E	87-067-932-010		PW, 2. 15-6. 8-0. 5 SLT
30	82-ZM1-298-010		SPR-P, EARTH	F	87-067-972-010		PW, 1. 05-3-0. 25 SLT
31	82-ZM1-255-110		SPR-E, LVR DIR				
32	82-ZM1-221-110		GEAR, CAM				
33	82-ZM1-227-110		LVR, TRIG				
34	82-ZM1-224-110		LVR, FR				
35	82-ZM1-305-010		SPR-E, TRIG 2				
36	82-ZM1-277-010		SPR-C, PLAY				
37	82-ZM1-223-010		GEAR, PLAY				
38	82-ZM1-256-110		SPR-T, FR				

DISASSEMBLY INSTRUCTIONS

矢印の位置にマイナスドライバーを差し込んで、パネルをはずして、各々のスピーカー・ユニットのビスを取り、スピーカー・ユニットをはずしてください。

Insert a flat - bladed screwdriver into the position indicated by the arrows and remove the panel.

Remove the screws of each speaker unit and then remove the speaker units.



SPEAKER PARTS LIST 1 / 1

DESCRIPTIONで判断できない物は“REFERENCE NAME LIST”を参照してください。
If can't understand for Description please kindly refer to “REFERENCE NAME LIST”.

REF. NO	PART NO.	カリ NO.	DESCRIPTION
1	84-NS6-001-010		PANEL FR R
2	84-NS6-002-010		PANEL FR L
3	84-NS6-014-010		GRILL FRAME ASSY R
4	84-NS6-015-010		GRILL FRAME ASSY L
5	84-NS6-610-010		TERMINAL ASSY
6	84-NS6-019-010		RING TW ASSY R
7	84-NS6-020-010		RING TW ASSY L
8	84-NS6-602-010		SPEAKER WOOFER
9	84-NS6-604-010		SPEAKER TWEETER
10	84-NS6-007-010		HOLDER TW

■ ACCESSORIES / PACKAGE LIST

DESCRIPTIONで判断できない物は“REFERENCE NAME LIST”を参照してください。
 If can't understand for Description please kindly refer to “REFERENCE NAME LIST”.

REF. NO	PART NO.	カリ NO.	DESCRIPTION
1	84-NF6-901-018		IB, ESF (WALES) <K, EEZ, E2, EZ>
2	84-NF6-902-018		IB, EGI (WALES) <EEZ, E2, EZ>
3	84-NF6-903-019		IB, ECA (M) <HR>
4	84-NF6-904-019		IB, LH (E, S) M <LH>
5	83-NF6-625-019		RC, RC-TN999 <HR, LH>
6	83-NF6-628-018		RC, RC-TN999 <K, EEZ, E2, EZ>
7	87-006-240-019		AM LOOP ANT CON (KO) <HR>
8	87-006-268-019		AM-LOOP ANT NC (UN) <EXCEPT HR>
9	87-043-095-019		ANTENNA WIRE <HR>
10	87-043-106-019		FM, WIRE ANT (Z) <K, EEZ, E2, EZ>
11	87-043-115-01B		ANT, FEEDER FM <HR, LH>
12	87-099-789-019		PLUG, ADPTR IR44 <HR, LH>

REFERENCE NAME LIST

ELECTRICAL SECTION

DESCRIPTION	REFERENCE NAME
ANT	ANTENNAS
C-	CHIP
C-CAP	CAP, CHIP
C-CAP TN	CAP, CHIP TANTALUM
C-COIL	COIL, CHIP
C-DI	DIODE, CHIP
C-DIODE	DIODE, CHIP
C-FET	FET, CHIP
C-FOTR	FILTER, CHIP
C-JACK	JACK, CHIP
C-LED	LED, CHIP
C-RES	RES, CHIP
C-SFR	SFR, CHIP
C-SLIDE SW	SLIDE SWITCH, CHIP
C-SW	SWITCH, CHIP
C-TR	TRANSISTOR, CHIP
C-VR	VOLUME, CHIP
C-ZENER	ZENER, CHIP
CAP, CER	CAP, CERA-SOL
CAP, E	CAP, ELECT
CAP, M/F	CAP, FILM
CAP, TC	CAP, CERA-SOL
CAP, TC-U	CAP, CERA-SOL SS
CAP, TN	CAP, TANTALUM
CERA FIL	FILTER, CERAMIC
CF	FILTER, CERAMIC
DL	DELAY LINE
E/CAP	CAP, ELECT
FILT	FILTER
FLTR	FILTER
FUSE RES	RES, FUSE
MOT	MOTOR
P-DIODE	PHOTO DIODE
P-SNSR	PHOTO SENSER
P-TR	PHOTO TRANSISTOR
POLY VARI	VARIABLE CAPACITOR
PPCAP	CAP, PP
PT	POWER TRANSFORMER
PTR, RES	PTR, MELF
RC	REMOTE CONTROLLER
RES NF	RES, NON-FLAMMABLE
RESO	RESONATOR
SHLD	SHIELD
SOL	SOLENOID
SPKR	SPEAKER
SW, LVR	SWITCH, LEVER
SW, RTRY	SWITCH, ROTARY
SW, SL	SWITCH, SLIDE
TC CAP	CAP, CERA-SOL
THMS	THERMISTOR
TR	TRANSISTOR
TRIMMER	CAP, TRIMMER
TUN-CAP	VARIABLE CAPACITOR
VIB, CER	RESONATOR, CERAMIC
VIB, XTAL	RESONATOR, CRYSTAL
VR	VOLUME
ZENER	DIODE, ZENER
サージサプレッサ	SERGESUPPRESSOR
セラコン	CAP, CERA

MECHANICAL SECTION

DESCRIPTION	REFERENCE NAME
ADHESHIVE	SHEET ADHESHIVE
AZ	AZIMUTH
BAR-ANT	BAR-ANTENNA
BAT	BATTERY
BATT	BATTERY
BRG	BEARING
BTN	BUTTON
CAB	CABINET
CASS	CASSETTE
CHAS	CHASSIS
CLR	COLLAR
CONT	CONTROL
CRSR	CURSOR
CU	CUSHION
CUSH	CUSHION
DIR	DIRECTION
DUBB	DUBBING
FL	FRONT LOADING
FLY-WHL	FLYWHEEL
FR	FRONT
FUN	FUNCTION
G-CU	G-CUSHION
HDL	HANDOL
HIMERON	CLOTH
HINGE, BAT	HINGE, BATTERY
HLDR	HOLDER
HT-SINK	HEAT SINK
IB	INSTRUCTION BOOKLET
IDLE	IDLER
IND, L-R	INDICATOR, L-R
KEY, CONT	KEY, CONTROL
KEY, PRGM	KEY, PROGRAM
KNOB, SL	KNOB, SLIDE
LBL	LABEL
LID, BATT	LID, BATTERY
LID, CASS	LID, CASSETTE
LVR	LEVER
P-SP	P-SPRING
PANEL, CONT	PANEL, CONTROL
PANEL, FR	PANEL, FRONT
PRGM	PROGRAM
PULLY, LOAD MO	PULLY, LOAD MOTOR
RBN	RIBBON
S-	SPECIAL
SEG	SEGMENT
SH	SHEET
SHLD-SH	SHIELD-SHEET
SL	SLIDE
SP	SPRING
SP-SCREW	SPECIAL-SCREW
SPACER, BAT	SPACER, BATTERY
SPR	SPRING
SPR-P	P-SPRING
SPR-PC-PUSH	P-SPRING, C-PUSH
T-SP	T-SPRING
TERM	TERMINAL
TRIG	TRIGGER
TUN	TUNING
VOL	VOLUME
W	WASHER
WHL	WHEEL
WORM-WHL	WORM-WHEEL
ジグアーム	ARM, SHAFT
ジグガイド	GUIDE, SHAFT
ストラップ	STRAP
トクナベ	S-SCREW
ヒンジ	HINGE
ヒンジビス	S-SCREW
ビスセレート	SCREW, SERRART

サービス技術ニュース	
番号	連絡内容
G --	
G --	
G --	

アイワ株式会社
AIWA CO., LTD.

737004, 750038

Tokyo Japan



aiwa
EURO SERVICE



aiwa
DIGITAL AUDIO & VIDEO

Service Information
SI-97-032-030

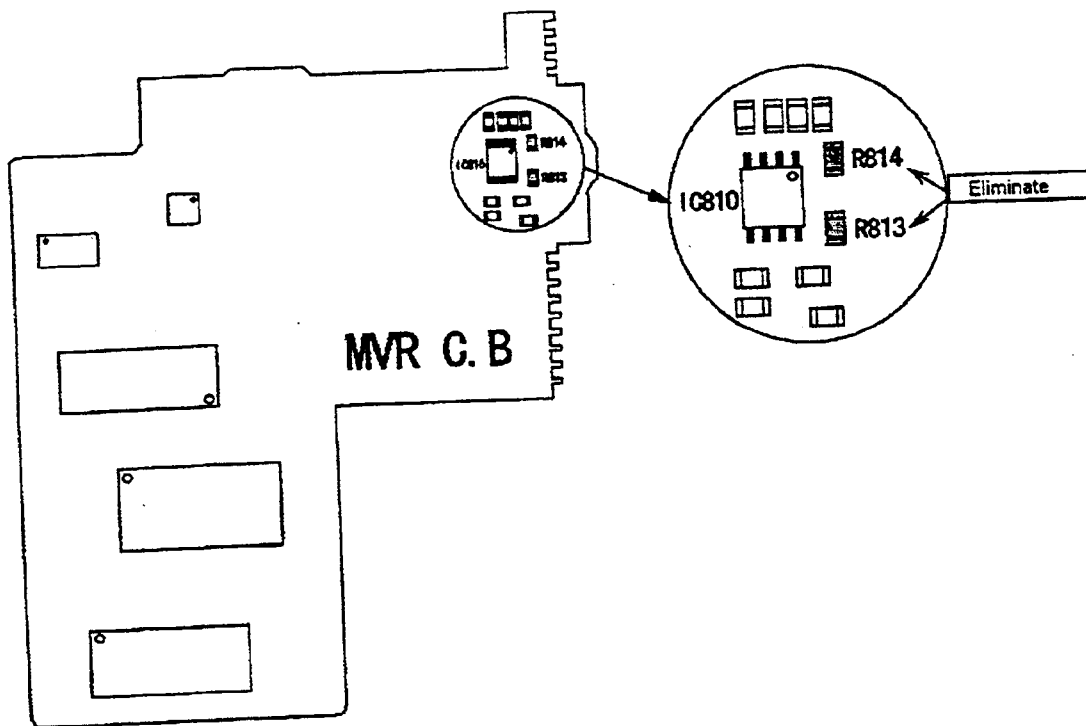
Hürth, den 07.10.1997

Modell: NSX 999 MKII

Problem: Beim Einstellen der Lautstärke sind Geräusche aus den Lautsprechern zu hören.

Inhalt: Um diesen Fehler festzustellen einen Titel mit 17 Hz (z.B. Test- CD) abspielen und die Lautstärke verändern. Hierbei ist dieser Fehler gut hörbar.

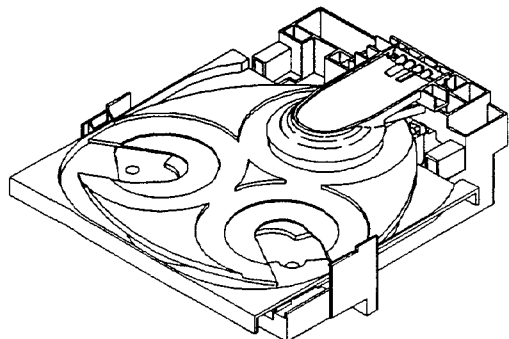
Abhilfe: R813 und R814 (22K Ω) auf dem MVR- C.B. entfernen.



AIWA DEUTSCHLAND GMBH
Aiwa-Platz 1
50354 Hürth

Tel.: 02233/9678433
Fax.: 02233/9678490

4ZG-1 4ZG-1S 4ZG-1T



CD MECHANISM

• BASIC CD MECHANISM: KSM-2101 ABM / ADM
3GZ-2 C1N / 5ZG-1 B

• TYPE: English, Japanese

BASIC NAME		DERIVATION NAME											
4ZG-1	*1	G	D	F	FJ	R	V	VI	-	-	CR		
	*2	G	D	F	-	R	-	-	V2	V3	-		
4ZG-1S		G	D	F	FJ	R	-	-	-	-	-		
4ZG-1T		G	D	F	FJ	R	-	-	-	-	-		

- *1, *2, BASIC NAMEは同じですが、基板構成が異なります。
VI, CRのCD BLOCK等は、本体マニュアルに掲載されます。
- *1, *2, have the same BASIC NAME but the board structures are different.
The CD BLOCK, VCD BLOCK of the VI and CR are shown on the SERVICE MANUAL of each DERIVATION NAME
- 本体マニュアルのBASIC CD MECHANISMのサフィックスがDERIVATION NAMEです。組み合わせて使用してください。
- This mechanism has various derivation. Derivation name is indicated by the Service Manual for each model.
- 本サービスマニュアル発行後の派生メカニズムは新規作成、相異点のみ発行します。
- For different version of mechanism that may be introduced since the issue of this manual, only the new or modified points be discussed.

TABLE OF CONTENTS

安全に修理 (補修) をするために	3
PROTECTION OF EYES FROM LASER BEAM DURING SERVICING	4
Precaution to replace Optical block	5
SUFFIX NOTE	6
How to Adjust Rotating Phase of the Gear, Main Cam	7
TRANSISTOR ILLUSTRATION	7

4ZG-1 <G, D, F, FJ, R, V, VI, CR>

ELECTRICAL MAIN PARTS LIST	8, 9
BLOCK DIAGRAM-1	10, 11
SCHEMATIC DIAGRAM-1 (VI, CR)	12
SCHEMATIC DIAGRAM-2 (EXCEPT VI, CR)	13, 14
WIRING-1	15, 16
IC DESCRIPTION	17~28
IC BLOCK DIAGRAM	29, 30
TEST MODE	31, 32
ELECTRICAL ADJUSTMENT	33~37
MECHANICAL EXPLODED VIEW 1 / 1	38
MECHANICAL PARTS LIST 1 / 1	39
CD MECHANISM EXPLODED VIEW 1 / 1 (KSM-2101ADM <G, D, F, FJ, R, V>)	40
CD MECHANISM PARTS LIST 1 / 1	40
CD MECHANISM EXPLODED VIEW 1 / 1 (KSM-2101ABM <VI>)	41
CD MECHANISM PARTS LIST 1 / 1	41
CD MECHANISM EXPLODED VIEW 1 / 1 (5ZG-1B <CR>)	42
CD MECHANISM PARTS LIST 1 / 1	42

4ZG-1 <G, D, F, R, V2, V3>

ELECTRICAL MAIN PARTS LIST	44, 45
BLOCK DIAGRAM-1 (MAIN VCD / CD MECHA)	46~48
BLOCK DIAGRAM-2 (VCD)	49, 50
WIRING-1 (MAIN VCD / CD MECHA)	51, 52
SCHEMATIC DIAGRAM-1 (CD MECHA)	53, 54
SCHEMATIC DIAGRAM-2 (MAIN VCD)	55, 56
SCHEMATIC DIAGRAM-3 (VCD 1/2 : V2)	57, 58
SCHEMATIC DIAGRAM-4 (VCD 2/2 : V2)	59, 60
WIRING-2 (VCD : V2)	61, 62
WAVE FORM (V2)	63, 64
WAVE FORM (V3)	65, 66
WIRING-3 (VCD : V3)	67, 68
SCHEMATIC DIAGRAM-5 (VCD 1/2 : V3)	69, 70
SCHEMATIC DIAGRAM-6 (VCD 2/2 : V3)	71, 72
IC DESCRIPTION	73~108
IC BLOCK DIAGRAM	109, 110
TEST MODE	111, 112
ELECTRICAL ADJUSTMENT	113~117
CD MECHANISM EXPLODED VIEW 1 / 1 (3ZG-2 C1N <V2, V3>)	118
CD MECHANISM PARTS LIST 1 / 1	118

4ZG-1S

ELECTRICAL MAIN PARTS LIST	119, 120
BLOCK DIAGRAM-1	121, 122
WIRING-1	123, 124
SCHEMATIC DIAGRAM-1	125, 126
IC DESCRIPTION	127~130

4ZG-1T

ELECTRICAL MAIN PARTS LIST	131, 132
BLOCK DIAGRAM-1	133, 134
WIRING-1	135, 136
SCHEMATIC DIAGRAM-1	137, 138
IC DESCRIPTION	139~148
TEST MODE	149, 150
ELECTRICAL ADJUSTMENT	151~153
USE MODEL LIST	154
REFERENCE NAME LIST	155

安全に修理(補修)をするために

修理の前に「安全に修理(補修)をするために」をよくお読みの上、正しく修理を行ってください。このサービスマニュアルでは、お客様が製品を安全に正しくお使いいただき、お客様や他の人々への危害や財産への損害を未然に防止するために、修理する場合必ず下記の項目をお守りください。

⚠警告

警告に示された次の内容を必ずお守りください。

もし守られないと、火災や感電、けがなどの重度の損害を負う原因となります。

1. ⚠安全規格部品注意文

・製品の安全性を維持する為の重要部品で、安全上特別な規格で作られています。

このマークの部品を交換する時は必ず指定の部品を使用してください。

2. 指定部品を使用すること。

セットの部品は難燃性や耐電圧など安全上の特性を持ったものとなっています。従って交換部品は、使用されていたものと同じ特性の部品を使用すること。特に回路図、部品表に⚠印で指定されている安全上重要な部品は必ず指定のものをご使用ください。

3. 電源コードを含むAC1次側のリード線の被覆を傷つけたり、溶かしたりしないこと。

4. 感電に注意すること。

内部には高電圧の部分がありますので通電時の取り扱いに際しては注意してください。

5. 次の各項目は修理前と必ず同じであること。

- 1) ワイヤの半田付け状態（特にAC1次側の空間距離）
- 2) ワイヤの引き直しおよび束線状態等
- 3) ワイヤの種類
- 4) 各種絶縁物の取付状態

7. 部品の取り付けや配線の引き直しはもとどおりにすること。

安全上、チューブやテープなどの絶縁材料を使用したり、プリント基板から浮かしてとりつけた部品があります。また、内部配線は引き直しやクランパーによって発熱部品や高圧部品に接近しないよう配慮されていますので、これらは必ずもとどおりにすること。

⚠注意

この表示を無視して、誤った取り扱いをすると、人が傷害を負ったり物的損害が発生する可能性があります。

1. 注意事項を守ること。

サービスの時特に注意を要する箇所につきましては、キャビネット、シャーシ、部品などにラベルや捺印で注意事項を表示しています。これらの注意書きおよび取扱説明書等の注意事項を必ず守ること。

2. スペック銘板・注意ラベル・ヒューズラベル等の表示文字を汚して読みにくくならないこと。

3. 基板パターンの裏付け部品の修理等を行う場合、パターンや部品にボンドを塗布してプリント基板にしっかり固定すること。

4. サービス後は安全点検すること。

サービスのために取り外したネジ、部品、配線がもとどおりになっているか、サービスした個所の周辺を劣化させてしまったところがないかなどを点検すること。（ワイヤの半田付け、引き直し、束線、種類、空間距離）

5. 修理（補修）時に、レーザー出力部に接近しないでください。やむなく接近する場合は、目を閉じてください。レーザービームに接近することが必要になった場合、光学ピックアップブロックの対物レンズの表面から30cm以上離れていることを確認してください。

PROTECTION OF EYES FROM LASER BEAM DURING SERVICING

This set employs laser. Therefore, be sure to follow carefully the instructions below when servicing.

WARNING!

WHEN SERVICING, DO NOT APPROACH THE LASER EXIT WITH THE EYE TOO CLOSELY. IN CASE IT IS NECESSARY TO CONFIRM LASER BEAM EMISSION. BE SURE TO OBSERVE FROM A DISTANCE OF MORE THAN 30cm FROM THE SURFACE OF THE OBJECTIVE LENS ON THE OPTICAL PICK-UP BLOCK.



- Caution: Invisible laser radiation when open and interlocks defeated avoid exposure to beam.
- Advarsel: Usynlig laserstråling ved åbning, når sikkerhedsafbrydere er ude af funktion. Undgå udsættelse for stråling.

VAROITUS!

Laiteen Käyttäminen muulla kuin tässä käyttöohjeessa mainitulla tavalla saattaa altistaa käyttäjän turvallisuusluokan 1 ylitävälle näkymättömälle lasersäteilylle.

WARNING!

Om apparaten används på annat sätt än vad som specificeras i denna bruksanvisning, kan användaren utsättas för osynlig laserstråling, som överskrider gränsen för laserklass 1.

CAUTION

Use of controls or adjustments or performance of procedures other than those specified herein may result in hazardous radiation exposure.

ATTENTION

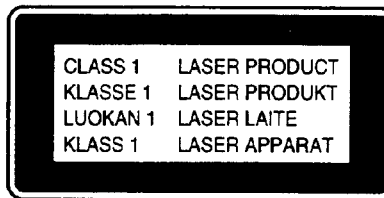
L'utilisation de commandes, réglages ou procédures autres que ceux spécifiés peut entraîner une dangereuse exposition aux radiations.

ADVARSEL!

Usynlig laserstråling ved åbning, når sikkerhedsafbrydere er ude af funktion. Undgå udsættelse for stråling.

This Compact Disc player is classified as a CLASS 1 LASER product.

The CLASS 1 LASER PRODUCT label is located on the rear exterior.



光学ブロック交換時の注意

光学系ブロック内のレーザーダイオードは、衣服や人体に帯電した静電荷等で電位差を生じることにより、静電破壊することがあります。人体アース、作業台のアースをとり、衣服が触れぬよう注意して下さい。

1) コネクターを接続後、下図に示すハンダ付けを取り除いて下さい。

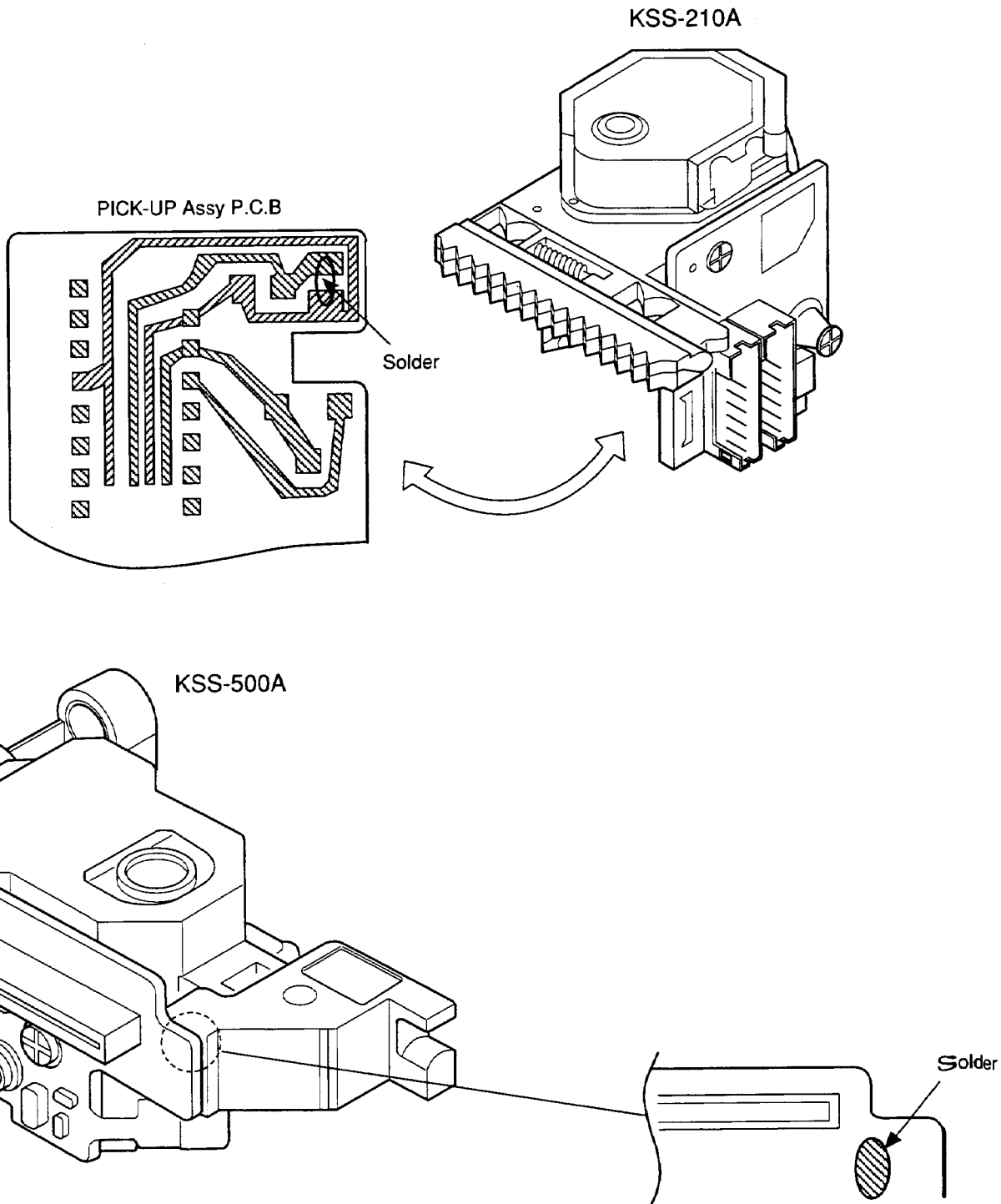
※ KSS-213B は、上記の処理をする必要有りません。

Precaution to replace Optical block

Body or clothes electrostatic potential could ruin laser diode in the optical block. Be sure ground body and workbench, and use care the clothes do not touch the diode.

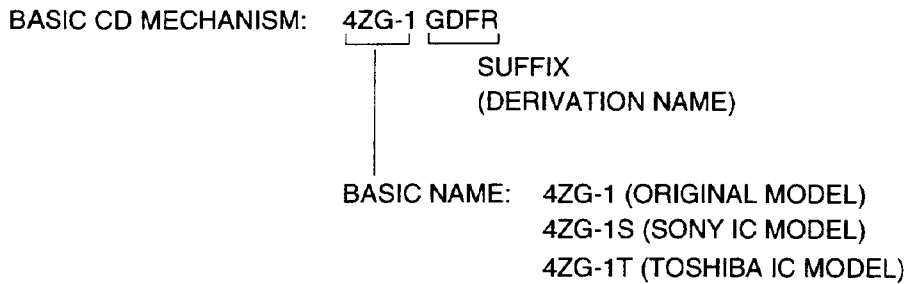
1) After the connection, remove solder shown in the figure below.

※ The above described precautions and procedure are not necessary for KSS-213B.



本体マニュアルの BASIC CD MECHANISM のサフィックスが DERIVATION NAME です。本サービスマニュアルは、DERIVATION NAME を組み合わせて使用して下さい。

This is the SERVICE MANUAL for the BASIC CD MECHANISM of BASIC NAME: 4ZG-1. This BASIC NAME includes the following models as shown under the SUFFIX name: DERIVATION NAME. Please use this manual with the separate SERVICE MANUAL for DERIVATION NAME.



BASIC NAME		DERIVATION NAME									
4ZG-1	*1	G	D	F	FJ	R	V	VI	—	—	CR
	*2	G	D	F	—	R	—	—	V2	V3	—
4ZG-1S		G	D	F	FJ	R	—	—	—	—	—
4ZG-1T		G	D	F	FJ	R	—	—	—	—	—

NOTE: ・ *1、*2 は、BASIC NAME は同じですが、基板構成が異なります。
・ VI、CR の CD BLOCK、VCD BLOCK 等は、本体マニュアルに掲載されています。

NOTE: ・ *1 and *2 have the same BASIC NAME but the board structures are different.
・ The CD BLOCK, VCD BLOCK of the VI and CR are shown on the SERVICE MANUAL of each DERIVATION NAME.

BOARD NAME	3CD C.B	LED C.B	T-T C.B	MOTOR C.B	MAIN VCD C.B	CD MECHA C.B	VCD C.B	SNSR B C.B
4ZG-1 *1	○ (EXCEPT VI, CR)	○ (F, FJ ONLY)	○	○ (EXCEPT CR)	—	—	—	○ (CR ONLY)
4ZG-1 *2	—	○ (F ONLY)	○	—	○	○	○	—
4ZG-1S	○	○ (F, FJ ONLY)	○	○	—	—	—	—
4ZG-1T	○	○ (F, FJ ONLY)	○	○	—	—	—	—

DERIVATION NAME

- G: Supporting the CD graphic feature
- D: Digital output function
- F: CD WINDOW Flash function (LED: AMBER/GREEN)
- FJ: CD WINDOW Flash function (LED: RED/GREEN)
- R: Round Tray
- V: Supporting the video CD function
- VI: Supporting the video CD function
- V2: Supporting the video CD function NTSC
- V3: Supporting the video CD function PAL
- CR: 3-disc CD-ROM changer

ギヤ、メインカムの位相の合わせ方

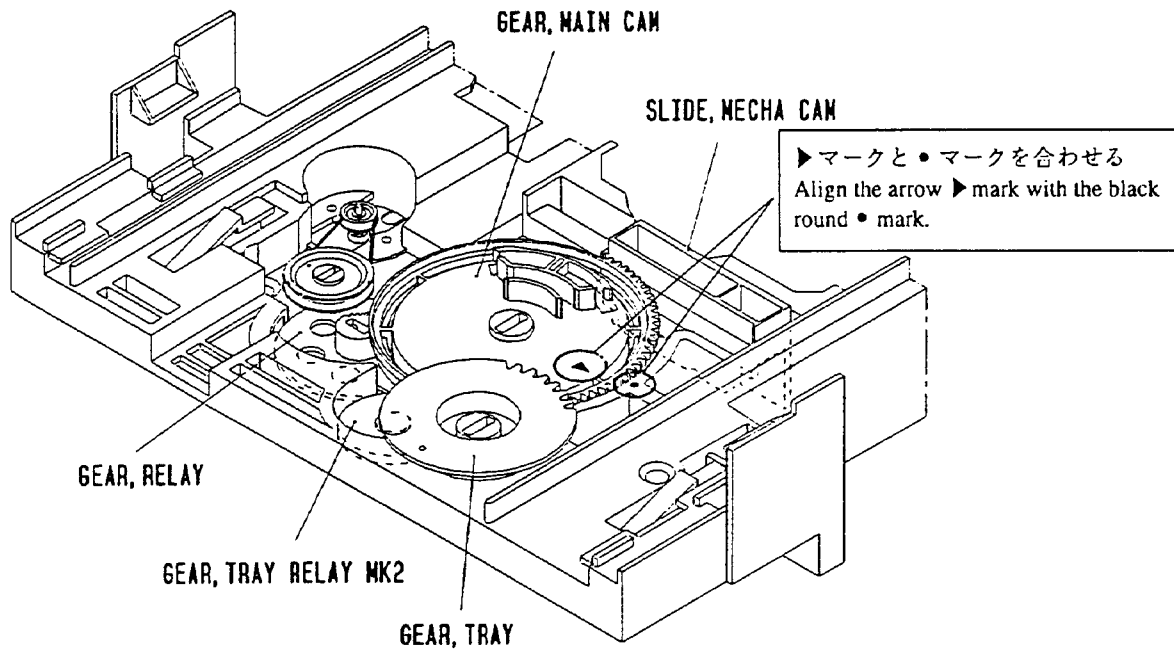
- 1) CHAS, MECH のツメを下側に押し、TRAY を外す。
- 2) 下図の様に GEAR, MAIN CAM の矢印と CHAS, MECHA の点印を合わせる。
- 3) SLIDE, MECH CAM が右側の位置にある事を確認し、TRAY をゆっくり挿し込んで下さい。

注意： GEAR, MAIN CAM の位相がズレている場合、チャッキング及びトレイが誤動作を起こします。

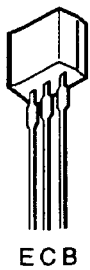
How to Adjust the Rotating Phase of the Gear, Main Cam

- 1) Push down the hooking catch of the CHAS. MECH, and remove the TRAY.
- 2) Align the arrow mark of the Gear, Main Cam with the black round mark of the CHAS. MECHA as shown below.
- 3) Confirm that the Slide, Mech Cam is located in the right position, then insert the TRAY gently.

Caution: If the rotating phase of the Gear, Main Cam is incorrectly adjusted, the chucking operation and tray movement will have malfunction.



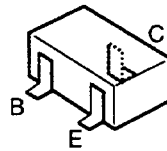
TRANSISTOR ILLUSTRATION



2SA933



2SA934
2SA952
2SA1296
2SC1815
2SC2001
2SD655
2SD2172



2SA1162
2SA1576
2SC2712
2SC3326
2SC4081
DTA114TK
DTA123JK
DTA144EK
DTC114TK
DTC123JK
DTC124XK
DTC143TK
RN1441

4ZG-1 <G, D, F, FJ, R, V, VI, CR>

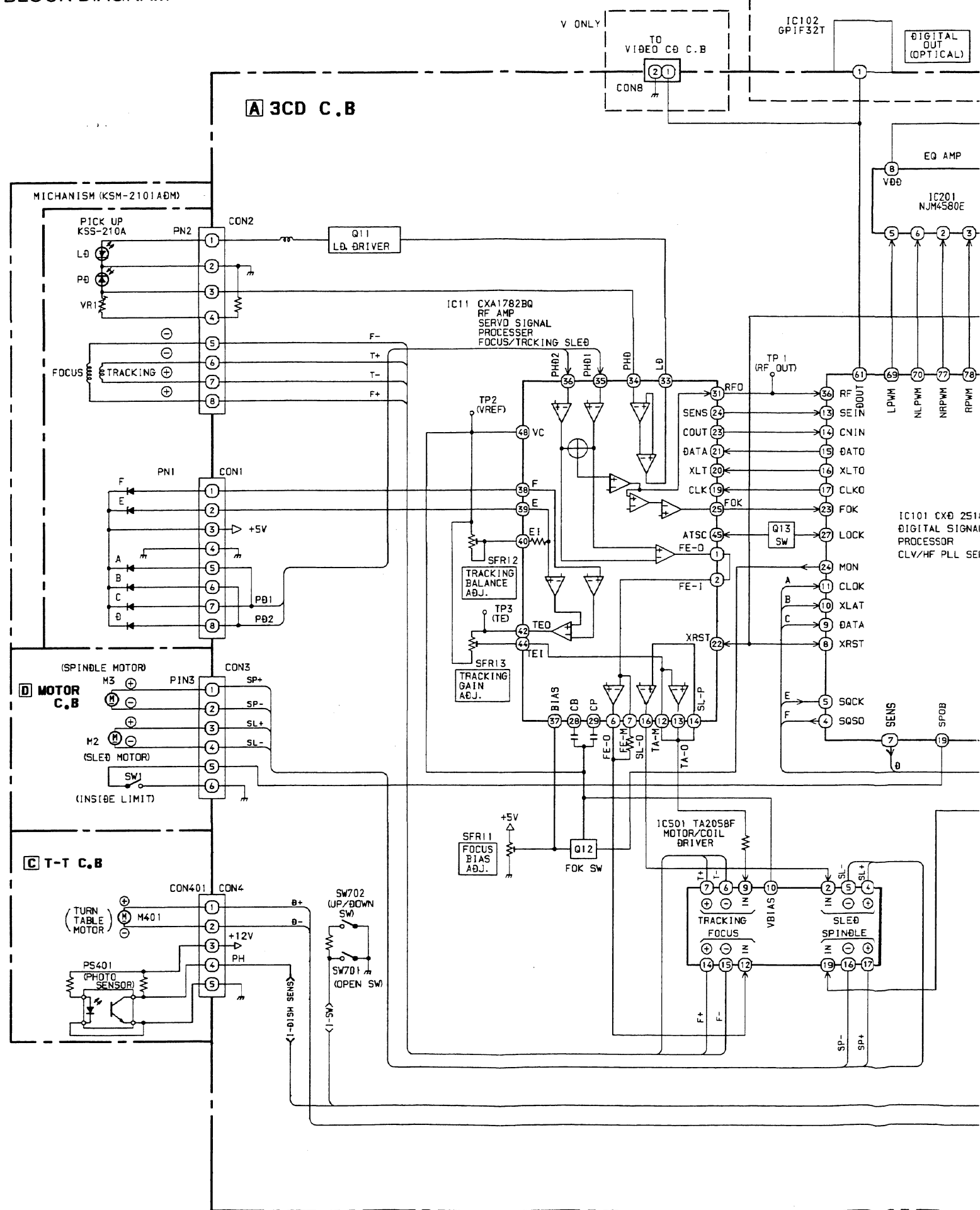
ELECTRICAL MAIN PARTS LIST

DESCRIPTION で判断できない物は "REFERENCE NAME LIST" を参照してください。
 If can't understand for Description please kindly refer to "REFERENCE NAME LIST".

REF. NO.	PART NO.	カンリ NO.	DESCRIPTION	REF. NO.	PART NO.	カンリ NO.	DESCRIPTION
IC				C102	87-010-186-089	0E	C-CAP, S 4700P-50 B<G, D, F, FJ, R, V>
	87-017-745-019	2A	IC, CXA1782BQ<G, D, F, FJ, R, V>	C103	87-010-187-089	0E	C-CAP, S 5600P-50 B<G, D, F, FJ, R, V>
	87-017-586-019	2E	IC, CXD2518Q<G, D, F, FJ, R, V>	C104	87-012-156-089	0E	C-CAP, S 220P-50 CH<G, D, F, FJ, R, V>
	87-017-825-019	1E	IC, GPF32T<D>	C105	87-010-404-089	0E	CAP, E 4.7-50 SME<G, D, F, FJ, R, V>
	87-017-888-089	1A	IC, NJM4558MD<G, D, F, FJ, R, V>	C106	87-010-263-049	0E	CAP, E 100-10<G, D, F, FJ, R, V>
	87-020-501-089	1A	IC, TA78L005AP<G, D, F, FJ, R, V>	C107	87-010-197-089	0E	C-CAP, S 0.01-25 B<G, D, F, FJ, R, V>
				C108	87-010-400-049	0E	CAP, E 0.47-50<G, D, F, FJ, R, V>
	87-017-801-080	1H	IC, TA2058F<G, D, F, FJ, R, V>	C109	87-010-197-089	0E	C-CAP, S 0.01-25 B<G, D, F, FJ, R, V>
	87-001-982-019	1E	IC, TA7291S<G, D, F, FJ, R, V>	C110	87-010-180-089	0E	C-CAP, S 1500P-50 B<G, D, F, FJ, R, V>
	87-017-802-010	2Y	IC, LC7872E<G, V>	C111	87-010-154-089	0E	C-CAP, S 10P-50 CH<G, D, F, FJ, R, V>
	87-002-892-089	1C	TR, MML031XMR<G, V>				
	87-017-803-010	2A	IC, LC32464P-80<G, V>	C112	87-010-318-089	0E	C-CAP, S 47P-50 CH<D>
TRANSISTOR				C113	87-010-263-089	0E	CAP, E 100-10 SME 5X11<G, D, F, FJ, R, V>
	87-026-463-089	0E	TR, 2SA933S (RS)<G, D, F, FJ, R, V>	C114	87-010-197-089	0E	C-CAP, S 0.01-25 B<G, D, F, FJ, R, V>
	87-026-233-089	0E	C-TR, DTA114TK<G, D, F, FJ, R, V>	C115	87-010-318-089	0E	C-CAP, S 47P-50 CH<G, D, F, FJ, R, V>
	87-026-211-089	0E	C-TR, DTA144EK T147<G, D, F, FJ, R, V>	C116	87-010-318-089	0E	C-CAP, S 47P-50 CH<G, D, F, FJ, R, V>
	89-109-340-489	0E	TR, 2SA934Q<G, D, F, FJ, R, V>	C117	87-010-197-089	0E	C-CAP, S 0.01-25 B<G, D, F, FJ, R, V>
	89-318-155-089	0E	TR, 2SC1815GR<G, D, F, FJ, R, V>	C118	87-010-263-089	0E	CAP, E 100-10 SME<D>
				C201	87-012-153-089	0E	C-CAP, S 120P-50 CH<G, D, F, FJ, R, V>
	89-421-722-389	0E	TR, 2SD2172V/W<G, D, F, FJ, R, V>	C202	87-012-153-089	0E	C-CAP, S 120P-50 CH<G, D, F, FJ, R, V>
	89-320-011-089	0E	TR, 2SC2001K<G, D, F, FJ, R, V>	C203	87-010-321-089	0E	C-CAP, S 82P-50 CH<G, D, F, FJ, R, V>
	87-026-223-089	0E	C-TR, DTC143TK<G, D, F, FJ, R, V>	C204	87-010-321-089	0E	C-CAP, S 82P-50 CH<G, D, F, FJ, R, V>
	87-026-608-089	0E	C-TR, DTC 123 JK<F, FJ>	C205	87-010-321-089	0E	C-CAP, S 82P-50 CH<G, D, F, FJ, R, V>
DIODE				C206	87-010-321-089	0E	C-CAP, S 82P-50 CH<G, D, F, FJ, R, V>
	87-002-564-089	0E	DIODE 1SS133 RA<G, D, F, FJ, R, V>	C207	87-012-153-089	0E	C-CAP, S 120P-50 CH<G, D, F, FJ, R, V>
	87-020-465-089	0E	DIODE, 1SS133<G, D, F, FJ, R, V>	C207	87-010-321-089	0E	C-CAP, S 82P-50 CH<V>
3CD C. B<G, D, F, FJ, R, V>				C208	87-012-153-089	0E	C-CAP, S 120P-50 CH<G, D, F, FJ, R, V>
C11	87-010-182-089	0E	C-CAP, S 2200P-50 B<G, D, F, FJ, R, V>	C208	87-010-321-089	0E	C-CAP, S 82P-50 CH<V>
C12	87-010-196-089	0E	C-CAP, S 0.1-25 F<G, D, F, FJ, R, V>	C209	87-012-153-089	0E	C-CAP, S 120P-50 CH<G, D, F, FJ, R, V>
C13	87-010-196-089	0E	C-CAP, S 0.1-25 F<G, D, F, FJ, R, V>	C209	87-010-321-089	0E	C-CAP, S 82P-50 CH<V>
C14	87-010-196-089	0E	C-CAP, S 0.1-25 F<G, D, F, FJ, R, V>	C210	87-012-153-089	0E	C-CAP, S 120P-50 CH<G, D, F, FJ, R, V>
C15	87-010-404-089	0E	CAP, E 4.7-50 SME<G, D, F, FJ, R, V>	C210	87-010-321-089	0E	C-CAP, S 82P-50 CH<V>
C16	87-010-193-089	0E	C-CAP, S 0.033-25 F<G, D, F, FJ, R, V>	C211	87-010-401-089	0E	CAP, E 1-50 SME<G, D, F, FJ, R, V>
C17	87-010-197-089	0E	C-CAP, S 0.01-25 B<G, D, F, FJ, R, V>	C212	87-010-401-089	0E	CAP, E 1-50 SME<G, D, F, FJ, R, V>
C18	87-010-402-049	0E	CAP, E 2.2-50 SME<G, D, F, FJ, R, V>	C213	87-010-186-089	0E	C-CAP, S 4700P-50 B<G, D, F, FJ, R, V>
C19	87-010-362-049	0E	CAP, E 22-25 SME<G, D, F, FJ, R, V>	C214	87-010-186-089	0E	C-CAP, S 4700P-50 B<G, D, F, FJ, R, V>
C20	87-010-213-029	0E	C-CAP, S 0.015-50 B<G, D, F, FJ, R, V>	C231	87-010-221-089	0E	CAP, E 470-10<G, D, F, FJ, R, V>
C21	87-010-197-089	0E	C-CAP, S 0.01-25 B<G, D, F, FJ, R, V>	C232	87-010-263-089	0E	CAP, E 100-10 SME<G, D, F, FJ, R, V>
C22	87-010-263-049	0E	CAP, E 100-10<G, D, F, FJ, R, V>	C301	87-010-196-089	0E	C-CAP, S 0.1-25 F<G, D, F, FJ, R, V>
C23	87-015-819-089	0E	CHIP CAP 0.01<G, D, F, FJ, R, V>	C302	87-015-688-019	0E	CAP, E 4.7-50 7L<G, D, F, FJ, R, V>
C24	87-010-193-089	0E	C-CAP, S 0.033-25 F<G, D, F, FJ, R, V>	C303	87-010-248-089	0E	CAP, E 220-10 SME<G, D, F, FJ, R, V>
C25	87-010-197-089	0E	C-CAP, S 0.01-25 B<G, D, F, FJ, R, V>	C304	87-010-196-089	0E	C-CAP, S 0.1-25 F<G, D, F, FJ, R, V>
C26	87-010-193-089	0E	C-CAP, S 0.033-25 F<G, D, F, FJ, R, V>	C305	87-010-196-089	0E	C-CAP, S 0.1-25 F<G, D, F, FJ, R, V>
C27	87-010-197-089	0E	C-CAP, S 0.01-25 B<G, D, F, FJ, R, V>	C306	87-016-459-049	0E	CAP, E 470-10 SMG<G, D, F, FJ, R, V>
C28	87-010-146-089	0E	C-CAP, S 2P-50 CH<G, D, F, FJ, R, V>	C501	87-016-459-049	0E	CAP, E 470-10 SMG<G, D, F, FJ, R, V>
C29	87-010-154-089	0E	C-CAP, S 10P-50 CH<G, D, F, FJ, R, V>	C502	87-010-197-089	0E	C-CAP, S 0.01-25 B<G, D, F, FJ, R, V>
C30	87-010-263-089	0E	CAP, E 100-10 SME 5X11<G, D, F, FJ, R, V>	C503	87-010-260-049	0E	CAP, E 47-25 SME<G, D, F, FJ, R, V>
C31	87-010-178-089	0E	C-CAP, S 1000P-50 B<G, D, F, FJ, R, V>	C504	87-010-197-089	0E	C-CAP, S 0.01-25 B<G, D, F, FJ, R, V>
C32	87-010-198-089	0E	C-CAP, S 0.022-25 B<G, D, F, FJ, R, V>	C505	87-010-196-089	0E	C-CAP, S 0.1-25 F<G, D, F, FJ, R, V>
C33	87-010-196-089	0E	C-CAP, S 0.1-25 F<G, D, F, FJ, R, V>	C506	87-010-196-089	0E	C-CAP, S 0.1-25 F<G, D, F, FJ, R, V>
C34	87-010-197-089	0E	C-CAP, S 0.01-25 B<G, D, F, FJ, R, V>	C507	87-010-196-089	0E	C-CAP, S 0.1-25 F<G, D, F, FJ, R, V>
C35	87-010-263-089	0E	CAP, E 100-10 SME 5X11<G, D, F, FJ, R, V>	C508	87-010-196-089	0E	C-CAP, S 0.1-25 F<G, D, F, FJ, R, V>
C36	87-010-248-089	0E	CAP, E 220-10 SME<G, D, F, FJ, R, V>	C509	87-010-197-089	0E	C-CAP, S 0.01-25 B<G, D, F, FJ, R, V>
C37	87-010-197-089	0E	C-CAP, S 0.01-25 B<G, D, F, FJ, R, V>	C510	87-010-178-089	0E	C-CAP, S 1000P-50 B<G, D, F, FJ, R, V>
C38	87-010-260-089	0E	CAP, E 47-25 SME<G, D, F, FJ, R, V>	C601	87-010-197-089	0E	C-CAP, S 0.01-25 B<G, D, F, FJ, R, V>
C39	87-010-196-089	0E	C-CAP, S 0.1-25 F<G, D, F, FJ, R, V>	C602	87-010-381-089	0E	CAP, E 330-16 SME<G, D, F, FJ, R, V>
C101	87-010-194-089	0E	C-CAP, S 0.047-25 F<G, D, F, FJ, R, V>	C603	87-010-196-089	0E	C-CAP, S 0.1-25 F<G, D, F, FJ, R, V>
				C701	87-010-322-089	0E	C-CAP, S 100P-50 CH<G, D, F, FJ, R, V>
				C702	87-010-297-089	0E	C-CAP 100P-50CH<G, D, F, FJ, R, V>
				C703	87-010-318-089	0E	C-CAP, S 47P-50 CH<G, D, F, FJ, R, V>
				C704	87-010-178-089	0E	C-CAP, S 1000P-50 B<G, D, F, FJ, R, V>

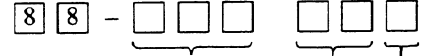
BLOCK DIAGRAM

REF. NO.	PART NO.	カンリ NO.	DESCRIPTION	REF. NO.	PART NO.	カンリ NO.	DESCRIPTION
C705	87-010-197-089	0E	C-CAP, S 0.01-25 B<V>	X101	87-030-402-089	1B	VIB, XTAL 16.9344 MHZ<G, D, F, FJ, R, V>
C712	87-010-265-049	0E	CAP, E 33-16 SME<G, D, F, FJ, R, V>	X801	80-JUC-602-080	1C	VIB, XTAL 17.73MHZ<G, V>
C801	87-010-197-089	0E	C-CAP, S 0.01-25 B<G, V>	X802	80-JUC-601-080	1C	VIB, XTAL 14.31MHZ<G, V>
C802	87-010-374-049	0E	CAP, E 47-10<G, V>				
C803	87-010-194-089	0E	C-CAP, S 0.047-25 F<G, V>				
C804	87-010-260-089	0E	CAP, E 47-25 SME<G, V>				
C805	87-015-819-029	0E	C-CAP, 0.01-50 BK<G, V>				
C806	87-010-260-089	0E	CAP, E 47-25 SME<G, V>				
C807	87-010-405-089	0E	CAP, E 10-50 SME<G, V>				
C808	87-010-197-089	0E	C-CAP, S 0.01-25 B<G, V>				
C809	87-010-405-089	0E	CAP, E 10-50 SME<G, V>				
C810	87-010-313-089	0E	C-CAP, S 18P-50 CH<G, V>				
C811	87-010-314-089	0E	C-CAP, S 22P-50 CH<G, V>				
C812	87-010-313-089	0E	C-CAP, S 18P-50 CH<G, V>				
C813	87-010-315-089	0E	C-CAP, S 27P-50 CH<G, V>				
C814	87-010-197-089	0E	C-CAP, S 0.01-25 B<G, V>				
C815	87-010-260-089	0E	CAP, E 47-25 SME<G, V>				
C816	87-010-260-089	0E	CAP, E 47-25 SME<G, V>				
C817	87-010-221-089	0E	CAP, E 470-10<G, V>				
C818	87-010-196-089	0E	C-CAP, S 0.1-25 F<G, V>				
C819	87-010-321-089	0E	C-CAP, S 82P-50 CH<G, V>				
C820	87-010-178-089	0E	C-CAP, S 1000P-50 B<G, V>				
CON1	84-ZG1-610-019	1B	CONN ASSY, 8P-W<G, D, F, FJ>				
CON2	84-ZG1-611-119	1B	CONN ASSY, 8P-R<G, D, F, FJ>				
CON3	84-ZG1-612-019	1B	CONN ASSY, 6P<G, D, F, FJ>				
EMI801	87-008-474-089	0E	F-BEAD, EMI BL02RN1<G, V>				
EMI802	87-008-474-089	0E	F-BEAD, EMI BL02RN1<G, V>				
J801	87-009-502-010	1A	JACK, PIN 1PY EARTH<G>				
L11	87-003-295-089	0E	COIL, 10UH<G, D, F, FJ, R, V>				
M601	87-045-305-019	1E	MOTOR, RF-500TB<G, D, F, FJ, R, V>				
SFR11	87-024-175-089	0E	SFR, 47K DIA6 V<G, D, F, FJ, R, V>				
SFR12	87-024-174-089	0E	SFR33K DIA6 V<G, D, F, FJ, R, V>				
SFR13	87-024-176-089	0E	SFR, 100K DIA6 V<G, D, F, FJ, R, V>				
SW701	87-036-109-019	0E	SW, PUSH SPPB 61<G, D, F, FJ, R, V>				
SW702	87-036-109-019	0E	SW, PUSH SPPB 61<G, D, F, FJ, R, V>				
				PIN105	91-564-722-110	1C	CONNECTOR 6P<EXCEPT CR>
				M020	9X-262-513-210	2M	SLED MOTOR ASSY<EXCEPT CR>
				SW001	91-572-085-110	1B	LEAF SW<EXCEPT CR>
				PS1	85-ZG1-607-010	SNSR, GP1S24<CR>	
				CON1	85-ZG1-622-010	CONN ASSY, B<CR>	
				C1	87-018-214-080	CAP TC U 0.1-50 F<CR>	



○ チップ抵抗部品コード / CHIP RESISTOR PART CODE

チップ抵抗部品コードの成り立ち
Chip Resistor Part Coding



A
抵抗部品コード
Resistor Code

桁表示
Figure

抵抗値
Value of resistor

チップ抵抗
Chip resistor

容量 Wattage	種類 Type	許容誤差 Tolerance	記号 Symbol	寸法 / Dimensions (mm)			抵抗コード : A Resistor Code: A	
				外形 / Form	L	W		t
1/16W	1608	±5%	CJ		1.6	0.8	0.45	108
1/10W	2125	±5%	CJ		2	1.25	0.45	118
1/8W	3216	±5%	CJ		3.2	1.6	0.55	128

BLOCK DIAGRAM

DESCRIPTION

9344 MHz<G,D,F,R,V>
73MHz<G,V>
31MHz<G,V>

M<FJ>
M<F>
M<FJ>
M<F>
M<FJ>

M<F>
M<F>
M<F>

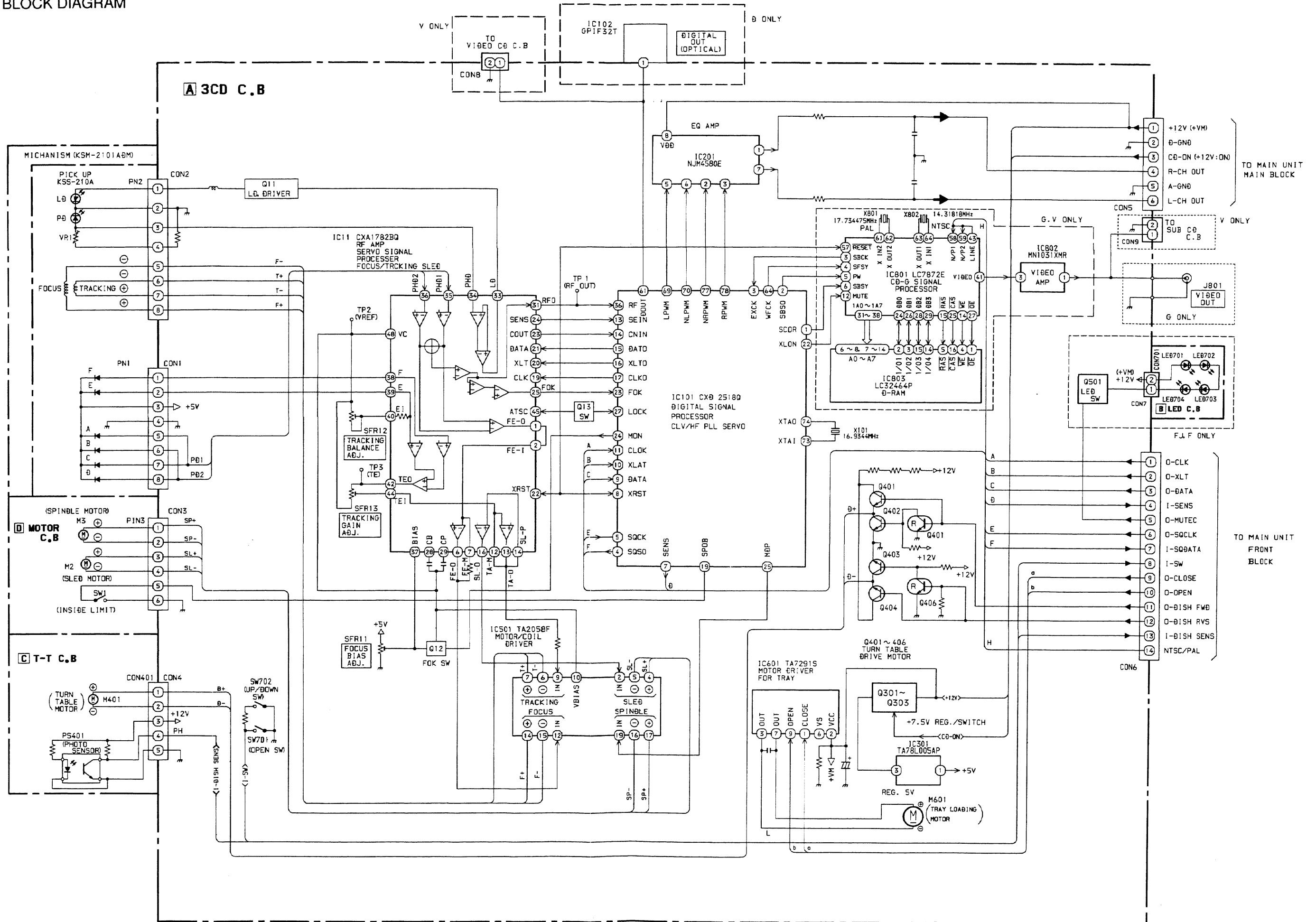
1-50 F
-1.25<EXCEPT VI>
1.25-20<VI>
14)
3V

<EXCEPT CR>
SSY<EXCEPT CR>
PT CR>

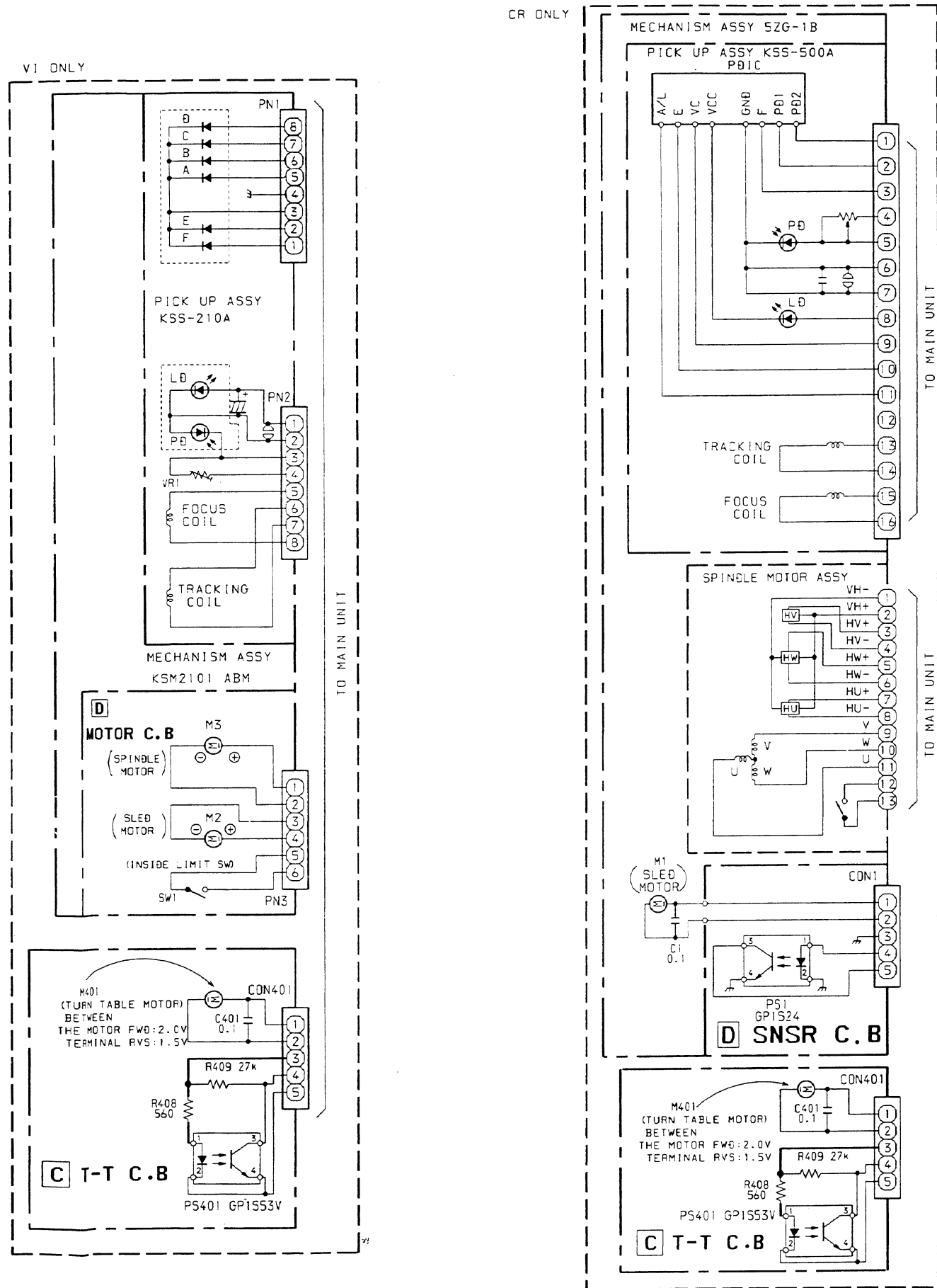
CR>
CR>
-50 F<CR>

抵抗コード : A
Resistor Code: A

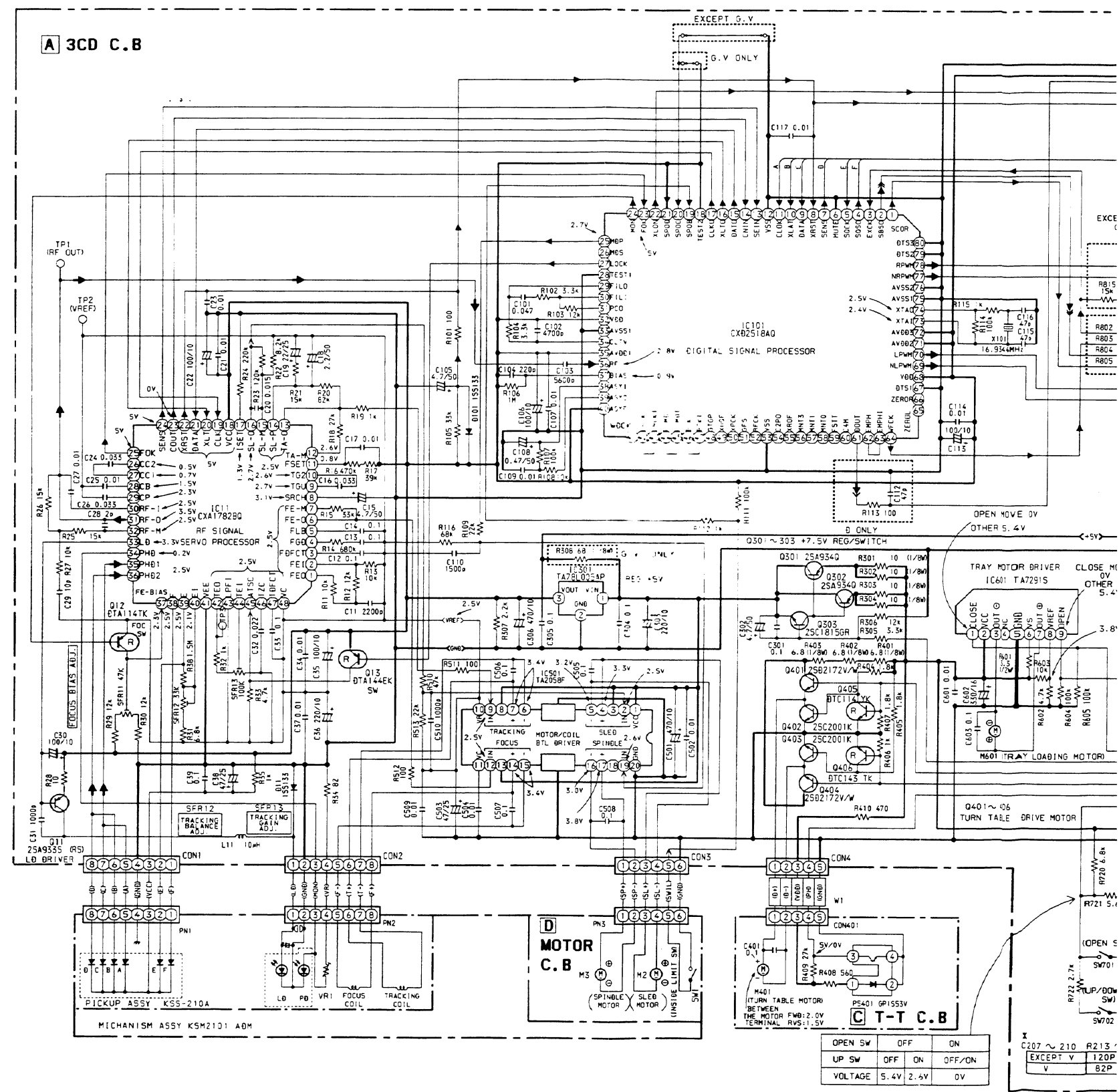
108
118
128



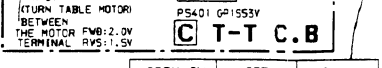
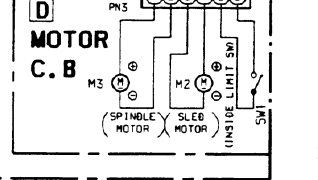
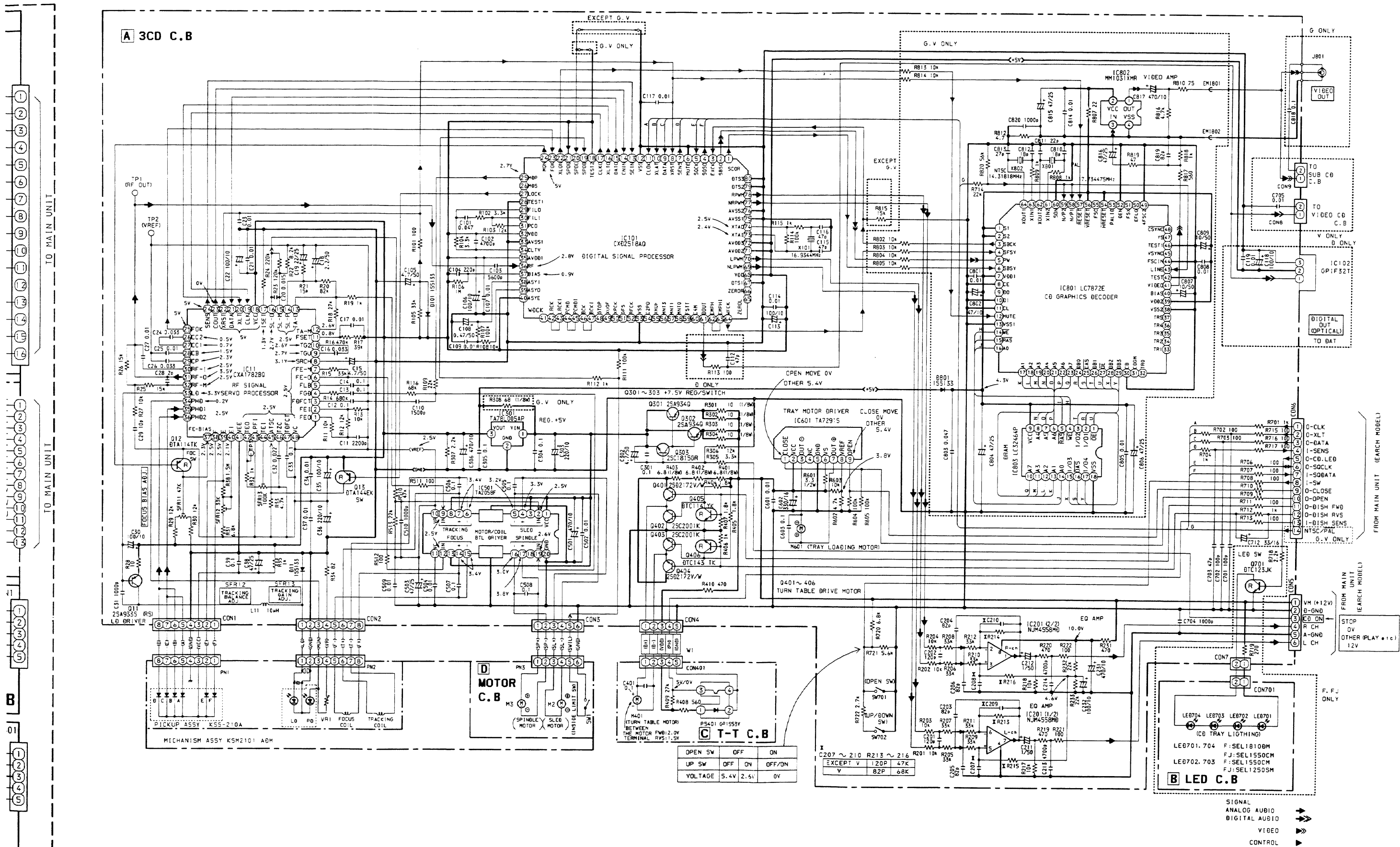
SCHEMATIC DIAGRAM-1 (VI, CR)



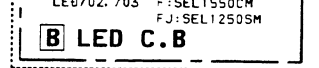
SCHEMATIC DIAGRAM-2 (EXCEPT VI, CR)



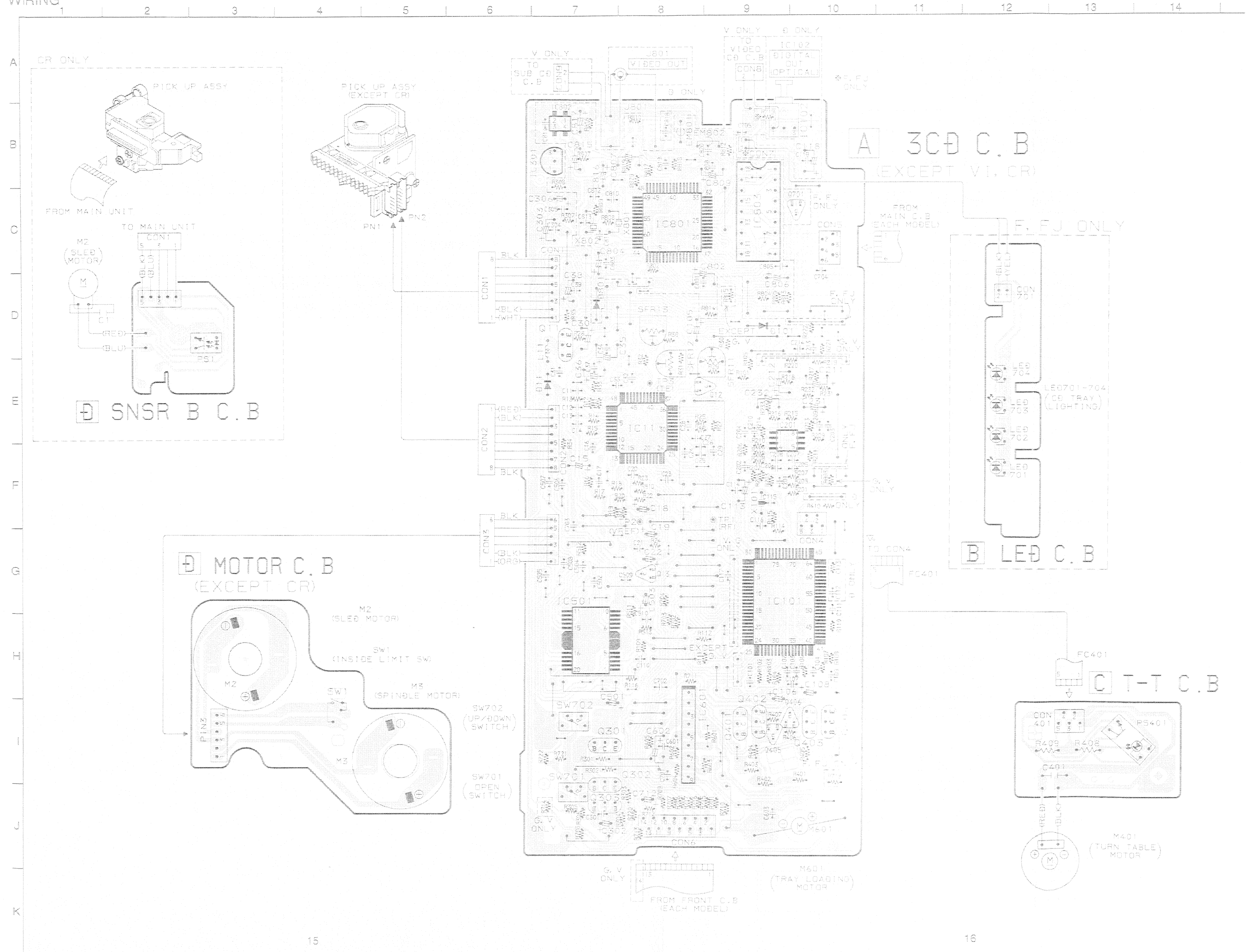
SCHEMATIC DIAGRAM-2 (EXCEPT VI, CR)



OPEN SW	OFF	ON
UP SW	OFF	ON
VOLTAGE	5.4V	2.5V



SIGNAL
 ANALOG AUDIO \leftrightarrow
 DIGITAL AUDIO \rightarrow
 VIDEO \rightarrow
 CONTROL \rightarrow



IC DESCRIPTION

IC, CXA1782BQ

端子番号	端子名称	I/O	機能説明
1	FEO	O	フォーカス・エラーアンプの出力端子です。 内部で FZC コンパレータ入力に接続されています。
2	FEI	I	フォーカス・エラーの入力端子です。
3	FDFCT	I	ディフェクト時の時定数用コンデンサ接続端子です。
4	FGD	I	フォーカス・サーボの高域ゲインを落とす場合、この端子をコンデンサで接地します。
5	FLB	I	フォーカス・サーボの低域持ち上げ用時定数外付け端子です。
6	FEO	O	フォーカス・ドライブ出力です。
7	FEM	I	フォーカス・アンプの反転入力端子です。
8	SRCH	I	フォーカス・サーチ波蕪を作るための時定数外付け端子です。
9	TGU	I	トラッキング高域ゲイン切り換え用時定数外付け端子です。
10	TG2	I	トラッキング高域ゲイン切り換え用時定数外付け端子です。
11	FSET	I	フォーカス・トラッキングの位相補償のピーク設定用端子です。
12	TAM	I	トラッキング・アンプの反転入力端子です。
13	TAO	O	トラッキングドライブ出力。
14	SLP	I	スレッド・アンプの非反転入力端子です。
15	SLM	I	スレッド・アンプの反転入力端子です。
16	SLO	O	スレッドドライブ出力。
17	ISET	I	フォーカスサーチ、トラックジャンプ、スレッドキックの高さを決める電流を流します。
18	VCC	—	+5V 電源供給端子。
19	CLK	I	シリアルデータ転送クロック入力です。
20	XLT	I	ラッチ入力です。
21	DATA	I	シリアルデータ入力です。
22	XRST	I	リセット入力端子“L”でリセットします。
23	COUT	O	トラック数カウント用信号出力です。
24	SENS	O	コマンドにより、FZC、DFCT、TZC、Gain、BAL、などを出力します。
25	FOK	O	フォーカス OK コンパレータの出力端子です。
26	CC2	O	DEFECT ボトム・ホールド出力が容量結合されて入力される入力端子です。
27	CC1	I	DEFECT ボトム・ホールド出力端子です。
28	CB	I	DEFECT ボトム・ホールドコンデンサ接続端子です。
29	CP	I	MIRR ホールド・コンデンサの接続端子です。かつ、MIRR コンパレータの非反転入力端子です。
30	RFI	I	RF サミングアンプの出力が容量結合されて入力される入力端子です。
31	RFO	O	RF サミングアンプの出力端子です。(EYE パターンのチェックポイント)
32	RFM	I	RF サミングアンプの反転入力端子です。 この端子と RFO 端子間に接続された抵抗で RF アンプのゲインが決まります。
33	LD	O	APC アンプの出力端子です。
34	PHD	I	APC アンプの入力端子です。
35~36	PHD1~2	I	RF I-V アンプの反転入力端子です。光学ピックアップの A+C、B+D 端子に接続して電流入力を受けます。

端子番号	端子名称	I/O	機能説明
37	FE BIAS	I	フォーカス・エラーアンプのバイアス調整用端子です。
38~39	F~E	I	F、E の I-V アンプの反転入力端子です。光学ピックアップの F、E に接続して電流入力を受けます。
40	EI	—	I-V アンプ E のゲイン調整用端子です。
41	VEE	—	GND 接続端子。
42	TEO	O	トラッキング・エラーアンプの出力端子です。E-F 信号が出力されます。
43	LPFI	I	BAL 調整用コンパレータ入力端子です。
44	TEI	I	トラッキング・エラーの入力端子です。
45	ATSC	I	ATSC 検出用ウインドウコンパレータ入力端子です。
46	TZC	I	トラッキング・ゼロクロスコンパレータの入力端子です。
47	TDFCT	I	ディフェクト時の時定数用コンデンサ接続端子。
48	VC	O	VREF の直流電圧出力端子です。(VDD/2)

IC, CXD2518Q

端子番号	端子名称	I/O	機能説明
1	SCOR	O	サブコードシンク S0 か S1 どちらか検出された時 H。
2	SBSO	O	SUBP~W のシリアル出力。
3	EXCK	I	SBSO リード・アウト用クロック入力。
4	SQSO	O	SUBQ 80BIT のシリアル出力。
5	SQCK	I	SQSO リード・アウト用クロック入力。
6	MUTE	I	H でミュート、L で解除。
7	SENS	O	SENS 出力、CPU (μ PD78043GF) へ出力。
8	XRST	I	システムリセット、L でリセット。
9	DATA	I	CPU (μ PD78043GF) よりシリアルデータ入力。
10	XLAT	I	CPU (μ PD78043GF) よりラッチ入力、立ち下がりでシリアルデータをラッチ。
11	CLOK	I	CPU (μ PD78043GF) よりシリアルデータ転送クロック入力。
12	VSS	—	GND 端子。
13	SEIN	I	SSP (CXA1782AQ) よりセンス入力。
14	CNIN	I	トラックジャンプ数カウント信号入力。
15	DATO	O	SSP (CXA1782AQ) へのシリアルデータ出力。
16	XLTO	O	SSP (CXA1782AQ) へのシリアルデータラッチ出力、立ち下がりでラッチ。
17	CLKO	O	SSP (CXA1782AQ) へのシリアルデータ転送クロック出力。
18	TEST2	I	TEST 用端子。(+5V へ接続)
19~21	SPOB~D	I	INSIDE LIMIT SW 入力。
22	XLON	O	LC7870E MUTE 制御出力。
23	FOK	I	フォーカス OK 入力端子、SENS 出力とサーボ・オートシーケンサに用いる。
24	MON	O	スピンドルモータの ON/OFF コントロール出力。
25	MDP	O	スピンドルモータのサーボ制御。
26	MDS	O	スピンドルモータのサーボ制御。(未使用)
27	LOCK	O	GFS を 460Hz でサンプリングし、GFS が H の時 H 出力、8 回連続 L の時 L 出力。(未使用)
28	TEST1	I	TEST 用端子。(GND へ接続)
29	FIL0	O	マスター PLL 用 (スレーブ=デジタル PLL) フィルター出力。
30	FIL1	I	マスター PLL 用フィルター入力。
31	PCO	O	マスター PLL 用チャージポンプ出力。
32	VDD	—	電源端子。(+5V)
33	AVSS1	—	GND 端子。
34	CLTV	I	マスター PLL 用 VCO コントロール電圧入力。
35	AVDD1	—	電源端子。(+5V)
36	RF	I	EFM 信号入力。
37	BIAS	I	アシンメトリ補正回路定電流入力。
38	ASYI	I	アシンメトリ補正回路コンパレート電圧入力。
39	ASYO	O	EFM フルスイング出力。(L=VSS, H=VDD)
40	ASYE	I	L: アシンメトリ補正 OFF、H: アシンメトリ補正 ON (+5V へ接続)。
41	WDCK	O	48bit スロット用 D/A インターフェイス、ワードクロック (2Fs) (未使用)。
42	LRCK	O	48bit スロット用 D/A インターフェイス、LR クロック (Fs)。

端子番号	端子名称	I/O	機能説明
43	LRCKI	I	DAC への LR クロック入力。(48bit スロット)
44	PCMD	O	D/A インターフェイス、シリアルデータ。(2'sCOMP, MSB ファースト)
45	PCMDI	I	DAC へのオーディオデータ入力。(48bit スロット)
46	BCK	O	D/A インターフェイス、ビットクロック。
47	BCKI	I	DAC へのビットクロック入力。(48bit スロット)
48	GTOP	O	GTOP 出力。(未使用)
49	XUGF	O	XUGF 出力。(未使用)
50	XPCK	O	XPLCK 出力。(未使用)
51	GFS	O	GFS 出力。(未使用)
52	RFCK	O	RFCK 出力。(未使用)
53	VSS	—	GND 端子。
54	C2PO	O	C2PO 出力。(未使用)
55	XROF	O	XRAOF 出力。(未使用)
56	MNT3	O	MNT3 出力。(未使用)
57	MNT1	O	MNT1 出力。(未使用)
58	MNT0	O	MNT0 出力。(未使用)
59	FSTT	O	73,74 端子の 2/3 分周出力。(未使用)
60	C4M	O	4.2336MHz 出力。(未使用)
61	DOUT	O	Digital Out 出力端子。(未使用)
62	EMPH	O	再生ディスクがエンファシス有りの時 H、無しの時 L。
63	EMPHI	I	DAC のディエンファシス ON/OFF、H で ON、L で OFF。
64	WFCK	O	WFCK (WRITE FRAME CLOCK) 出力。
65	ZEROL	O	無音データ検出出力、無音データ検出時 "H" (Lch)。(未使用)
66	ZEROR	O	無音データ検出出力、無音データ検出時 "H" (Rch)。(未使用)
67	DTSI	I	DAC 用テスト端子。(GND へ接続)
68	VDD	—	電源端子。(+5V)
69	LPWM	O	Lch PWM 出力。(正相)
70	NLPWM	O	Lch PWM 出力。(逆相)
71	AVDD2	—	Lch PWM ドライバ用電源。(+5V へ接続)
72	AVDD3	—	Xtal 用電源。(+5V へ接続)
73	XTAI	I	33.8688MHz の Xtal 発振回路入力。
74	XTAO	O	33.8688MHz の Xtal 発振回路出力。
75	AVSS3	—	Xtal 用電源。(GND へ接続)
76	AVSS2	—	PWM ドライバ用電源。(GND へ接続)
77	NRPWM	O	Rch PWM 出力。(逆相)
78	RPWM	O	Rch PWM 出力。(正相)
79	DTS2	I	DAC 用テスト端子 2。(GND へ接続)
80	DTS3	I	DAC 用テスト端子 3。(GND へ接続)

IC, LC7872E

端子番号	端子名称	I/O	機能説明
1	S1	—	CD用DSP選択端子。(VDDに接続)
2	S2	—	
3	SBCK	O	サブコードR~W読み出しクロック。
4	SFSY	I	サブコードフレーム同期信号。
5	PW	I	サブコードR~Wデータ。
6	SBSY	I	サブコードブロック同期信号。
7	VDD1	—	デジタル系電源端子。(+5V)
8	CE	I	シリアル入力あるいはシリアル出力時コントロールする端子。(GNDへ接続)
9	DO	O	シリアルデータ出力。(GNDへ接続)
10	DI	I	シリアルデータ入力。(GNDへ接続)
11	CL	I	シリアルデータ入出力時のクロック。(GNDへ接続)
12	MUTE	I	サブコードデータを無効とする時のコントロール信号。
13	VSS1	—	デジタル系GND端子。
14	\overline{WE}	O	DRAMコントロール端子。
15	\overline{RAS}	O	DRAMコントロール端子。
16~23	A0~A7	O	DRAMアドレス端子。
24	DB0	I/O	DRAMデータ端子。
25	\overline{CAS}	O	DRAMコントロール端子。
26	DB1	I/O	DRAMデータ端子。
27	\overline{DE}	O	DRAMコントロール端子。
28	DB2	I/O	DRAMデータ端子。
29	DB3	I/O	DRAMデータ端子。
30	CE	I	“L” 通常モード “H” カラーバー出力。(未使用)
31	CDGM	O	CDGディスク時 “H” 出力。(未使用)
32~37	TRANS0~5	O	Transparency デジタル出力。(未使用)
38	VSS2	—	コンポジットビデオ DAC GND 端子。
39	VDD2	—	コンポジットビデオ DAC 電源端子。(+5V)
40	BIAS	O	リップル除去用コンデンサ接続端子。
41	VIDEO	O	コンポジットビデオ出力端子。(8bits DAC出力)
42	TEST	I	テストピン。通常使用時は、“L” にする事。(GNDへ接続)
43	LINE	I	NP2 端子 “H” H: 263H L: 262H NP2 端子 “L” の時 H: 312H L: 314H (未使用)
44	FSCIN	I	サブキャリアクロック入力端子。(GNDへ接続)
45	VSYNC	O	垂直同期信号出力端子。(未使用)
46	TEST1	I	テストピン。通常使用時は、“L” にする事。(GNDへ接続)
47	YS	O	スーパーインポーズコントロール出力。(未使用)
48	\overline{CSTNC}	O	複合同期信号出力。(未使用)
49	GND	—	GND。
50	EFLG	O	エラー状況モニタ端子。(未使用)
51	FSX	O	エラー状況モニタトリガ用。(未使用)
52	DEN	I	DISC 情報表示イネーブル端子。 H: BGC L: イネーブル (GNDへ接続)

端子番号	端子名称	I/O	機能説明
53	PALID	I	スーパーインポーズ PAL 時外部コントロール端子。(未使用)
54	VDD3	—	デジタル電源端子 (+5V)
55	FSC	O	サブキャリアクロック出力。 NTSCモード: 3.579545MHz PALモード: 4.433619MHz
56	VDD4	—	デジタル電源端子 (+5V)
57	\overline{RESET}	I	リセット入力端子。
58	N/P1	I	NTSC/PAL 選択端子 (RGB エンコーダ) “H” NTSC “L”: PAL
59	N/P2	I	NTSC/PAL 選択端子 (CD-G エンコーダ) “H” NTSC “L”: PAL
60	SON	I	スーパーインポーズ ON/OFF 端子 (GNDへ接続)
61	XIN2	I	水晶振動子接続端子 17.734476MHz。(PAL用)
62	XOUT2	O	
63	XIN1	I	水晶振動子接続端子 14.31818MHz。(NTSC用)
64	XOUT1	O	

IC, CXA1782BQ

Pin No.	Pin name	I/O	Description
1	FEO	O	Focus error amplifier output pin. This pin is connected to the FZC comparator input internally.
2	FBI	I	Focus error input pin.
3	FDFCT	I	Capacitor connection pin for time constant used when there is defect.
4	FGD	I	This pin is connected to GND via capacitor when high frequency gain of the focus servo is attenuated.
5	FLB	I	This is a pin where the time constant is externally connected to raise the low frequency gain of the focus servo.
6	FEO	O	Focus drive output.
7	FEM	I	Focus amplifier inverted input pin.
8	SRCH	I	This is a pin where the time constant is externally connected to generate the focus search waveform.
9	TGU	I	This is a pin where the selection time constant is externally connected to set the tracking servo the high frequency gain.
10	TG2	I	This is a pin where the selection time constant is externally connected to set the tracking high frequency gain.
11	FSET	I	Pin for setting peak of the phase compensator of the focus tracking.
12	TAM	I	Tracking amplifier inverted input pin.
13	TAO	O	Tracking drive output.
14	SLP	I	Sled amplifier non-inverted input pin.
15	SLM	I	Sled amplifier inverted input pin.
16	SLO	O	Sled drive output.
17	ISSET	I	The current which determines height of the focus search, track jump and sled kick is input.
18	VCC	—	+ 5 V power supply pin.
19	CLK	I	Serial data transfer clock input from CPU.
20	XLT	I	Latch input from CPU.
21	DATA	I	Serial data input from CPU .
22	XRST	I	Reset input pin. Reset at L.
23	COUT	O	Signal output to count the number of tracks.
24	SENS	O	FZC, DFCT, TZC, Gain or BAL is output depending on the command from CPU .
25	FOK	O	Output pin of the focus OK comparator.
26	CC2	O	Input pin where the DEFECT bottom hold output is capacitance coupled.
27	CC1	I	DEFECT bottom hold output pin.
28	CB	I	This is a pin where the DEFECT bottom hold capacitor is connected.
29	CP	I	This is a pin where the MIRR hold capacitor is connected and MIRR comparator non-inverted signal is input.
30	RFI	I	Input pin where the RF summing amplifier output is capacitance coupled.
31	RFO	O	RF summing amplifier output pin. (Eye pattern check point)
32	RFM	I	RF summing amplifier inverted input pin. Gain of RF amplifier is determined by the resistor connected between RFO and this pin.

Pin No.	Pin name	I/O	Description
33	LD	O	APC amplifier output pin.
34	PHD	I	APC amplifier input pin.
35~36	PHD1~2	I	RF I-V amplifier inverted input pin. These pins are connected to the A+C and B+D pins of the optical pickup.
37	FE BIAS	I	Bias adjustment pin of the focus error amplifier.
38~39	F~E	I	F and E IV amplifier non-inverted input pins. These pins are connected to the F and E of the optical pickup.
40	EI	—	Gain adjustment pin of the I-V amplifier E.
41	VEE	—	GND connection pin
42	TEO	O	Tracking error amplifier output pin. E-F signal is output.
43	LPFI	I	BAL adjustment comparator input pin.
44	TEI	I	Tracking error input pin.
45	ATSC	I	Window comparator input pin for detecting ATSC.
46	TZC	I	Tracking zero-cross comparator input pin.
47	TDFCT	I	Capacitor connection pin for the time constant used when there is defect.
48	VC	O	DC voltage output pin of VREF. (VDD/2)

IC, CXD2518Q

Pin No.	Pin Name	I/O	Description
1	SCOR	O	1H when the subcode sync S0 or S1 is detected. (Not used)
2	SBSO	O	SUBP~W serial output. (Not used)
3	EXCK	I	Clock input for SBSO read out.
4	SQSO	O	SUBQ 80-bit serial output.
5	SQCK	I	Clock input for SQSO read out.
6	MUTE	I	"H" to mute. "L" to cancel. Connected to GND.
7	SENS	O	SENS signal output to CPU (IC201).
8	XRST	I	System reset. "L" to reset.
9	DATA	I	Serial data input from CPU (IC201).
10	XLAT	I	Latch input from CPU (IC201). Latching serial data at fall down.
11	CLOK	I	Clock input from CPU (IC201) to transfer serial data.
12	VSS	—	GND.
13	SEIN	I	SENS input from SSP (CXA1782BQ).
14	CNIN	I	Numbers of track jump are counted and input.
15	DATO	O	Serial data output to SSP (CXA1782BQ).
16	XLTO	O	Serial data latched output to SSP (CXA1782BQ). Latched at fall down edge.
17	CKO	O	Clock input from SSP (CXA1782BQ) to transfer serial data.
18	TEST2	I	TEST. (Connected to +5V)
19~21	SPOB~D	I	Input from INSIDE LIMIT switch (SW1).
22	XLON	O	LC7870E mute control output. (Not used)
23	FOK	I	Focus OK input pin. Used for SENS output and servo auto sequencer.
24	MON	O	Spindle motor ON/OFF control output.
25	MDP	O	Spindle motor servo control output.
26	MDS	O	Spindle motor servo control output. (Not used)
27	LOCK	O	GFS is sampled by 460Hz. H output when GFS is H. L output when GFS is L for 8 consecutive times.
28	TEST1	I	TEST. (Connected to GND)
29	FILO	O	Filter output to master PLL. (slave=digital PLL)
30	FILI	I	Filter input to master PLL.
31	PCO	O	Charge-pump output to master PLL.
32	VDD	—	Power supply input. (+5V)
33	AVSS1	—	GND.
34	CLTV	I	VCO control voltage input to master PLL.
35	AVDD1	—	Power supply input. (+5V)
36	RF	I	EFM signal input.
37	BIAS	I	Constant current input to asymmetry correction circuit.
38	ASYI	I	Compare voltage input to asymmetry correction circuit.
39	ASYO	O	EFM full swing output. (L=VSS, H=VDD)
40	ASYE	I	L: asymmetry correction OFF. H: asymmetry correction ON (connected to +5V)
41	WDCK	O	D/A interface, word clock (2Fs) for 48-bit slot. (Not used)
42	LRCK	O	D/A interface, LR clock (Fs) for 48-bit slot.

Pin No.	Pin Name	I/O	Description
43	LRCKI	I	LR clock input to DAC. (48-bit slot)
44	PCMD	O	D/A interface, serial data. (2's complement, MSB first)
45	PCMDI	I	Audio data input to DAC. (48-bit slot)
46	BCK	O	D/A interface, bit clock.
47	BCKI	I	Bit clock input to DAC. (48-bit slot)
48	GTOP	O	GTOP output. (Not used)
49	XUGF	O	XUFG output. (Not used)
50	XPCK	O	XPLCK output. (Not used)
51	GFS	O	GFS output. (Not used)
52	RFCK	O	RFCK output. (Not used)
53	VSS	—	GND.
54	C2PO	O	C2PO output. (Not used)
55	XROF	O	XRAOF output. (Not used)
56	MNT3	O	MNT3 output. (Not used)
57	MNT1	O	MNT1 output. (Not used)
58	MNT0	O	MNT0 output. (Not used)
59	FSTT	O	Pins-73 and -74 divided-by 2/3 output. (Not used)
60	C4M	O	4.2336MHz output. (Not used)
61	DOUT	O	Digital Out connector output signal.
62	EMPH	O	H when the playback disc has emphasis. "L" when it does not.
63	EMPHI	I	DAC emphasis ON/OFF. "H" when ON. "L" when OFF
64	WFCK	O	WFCK (WRITE FRAME CLOCK) output. (Not used)
65	ZEROL	O	No sound data detection output. H (L-ch) when no sound data is detected. (Not used)
66	ZEROR	O	No sound data detection output. H (R-ch) when no sound data is detected. (Not used)
67	DTSI	I	TEST for DAC. (Connected to GND)
68	VDD	—	Power supply input. (+5V)
69	LPWM	O	L-ch PWM output. (normal polarity)
70	NLPWM	O	L-ch PWM output. (reversed polarity)
71	AVDD2	—	Power supply input to L-ch PWM driver. (Connected to +5V)
72	AVDD3	—	Power supply input to X'tal. (Connected to +5V)
73	XTAI	I	X'tal input to 33.8688MHz oscillator circuit.
74	XTAO	O	33.8688MHz X'tal oscillator circuit output.
75	AVSS3	—	Power supply input to X'tal. (Connected GND)
76	AVSS2	—	Power supply input to PWM driver. (Connected to GND)
77	NRPWM	O	R-ch PWM output. (reversed phase)
78	RPWM	O	R-ch PWM output. (normal phase)
79	DTS2	I	TEST-2 for DAC. (Connected to GND)
80	DTS3	I	TEST-3 for DAC. (Connected to GND)

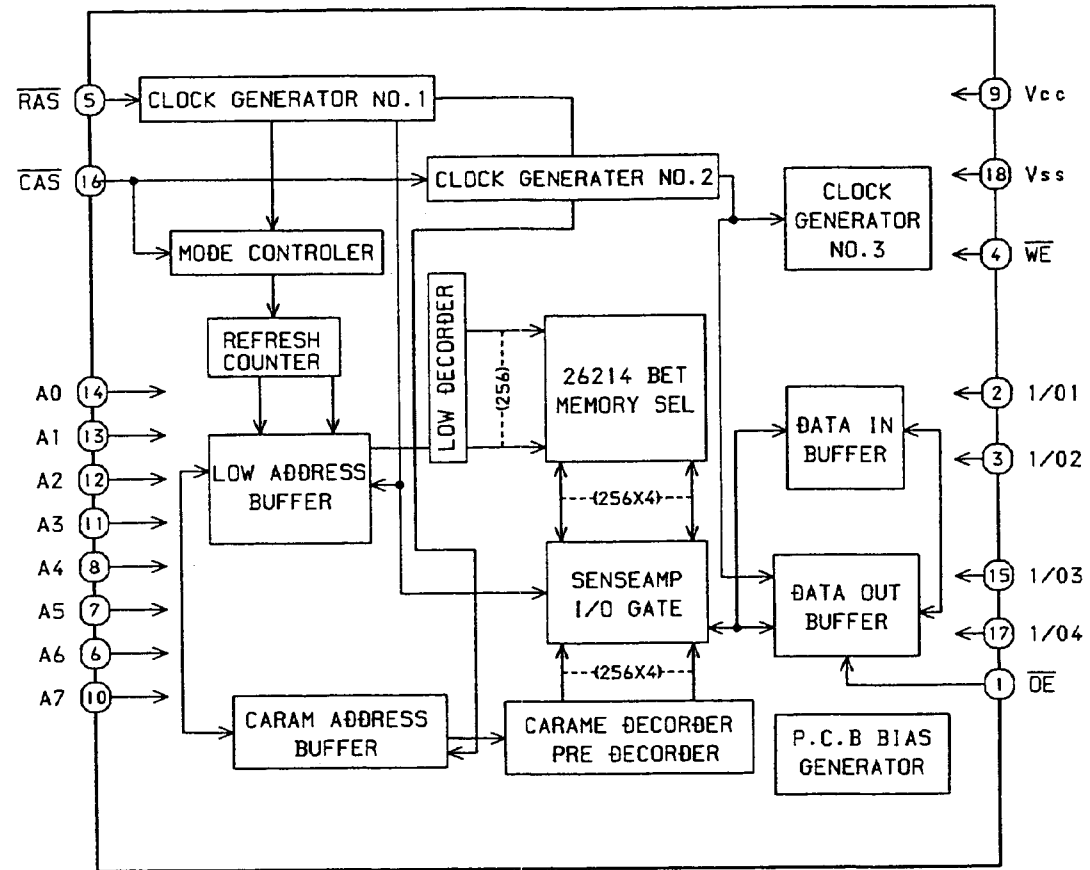
IC, LC7872E

Pin No.	Pin name	I/O	Description
1, 2	S1, S2	—	DSP select pin for CD. (Connected to VDD)
3	SBCK	O	Subcode read/write clock.
4	SFSY	I	Subcode frame sync signal.
5	PW	I	Subcode read/write data.
6	SBSY	I	Subcode block sync signal.
7	VDD1	—	Power supply for digital block. (Connected to +5V)
8	CE	I	Control pin when serial input or serial output. (Connected to GND)
9	DO	O	Serial data output. (Connected to GND)
10	DI	I	Serial data input. (Connected to GND)
11	CL	I	Clock when inputting/outputting serial data. (Connected to GND)
12	MUTE	I	Control signal disabling the subcode.
13	VSS1	—	GND for digital block.
14	\overline{WE}	O	DRAM control pin.
15	\overline{RAS}	O	DRAM control pin.
16~23	A0~A7	O	DRAM address pin.
24	DB0	I/O	DRAM data pin.
25	\overline{CAS}	O	DRAM control pin.
26	DB1	I/O	DRAM data pin.
27	\overline{DE}	O	DRAM control pin.
28	DB2	I/O	DRAM data pin.
29	DB3	I/O	DRAM data pin.
30	CE	I	"L": Normal mode "H": Color bar output (Not used)
31	CDGM	O	"H" output when CDG disk. (Not used)
32	TRANS0	O	Transparency digital output. (Not used)
33	TRANS1	O	Transparency digital output. (Not used)
34	TRANS2	O	Transparency digital output. (Not used)
35	TRANS3	O	Transparency digital output. (Not used)
36	TRANS4	O	Transparency digital output. (Not used)
37	TRANS5	O	Transparency digital output. (Not used)
38	VSS2	—	Composite video DAC GND pin.
39	VDD2	—	Composite video DAC power supply pin. (Connected to +5V)
40	BIAS	O	Capacitor connecting pin for eliminating ripple.
41	VIDEO	O	Composite video output pin (8-bit DAC output).
42	TEST	I	Test pin. Set to "L" normally. (Connected to GND)
43	LINE	I	When NP2 pin is "H": H: 263H L: 262H When NP2 pin is "L": H: 312H L: 314H (Not used)
44	FSCIN	I	Subcarrier clock input pin. (feedback resistor is built in) (Connected to GND)
45	VSYNC	O	Vertical sync signal output pin. (Not used)
46	TEST1	I	Test pin. Set to "L" normally. (Connected to GND)
47	YS	O	Superimpose control output. (Not used)
48	\overline{CSTNC}	O	Composite sync signal output. (Not used)

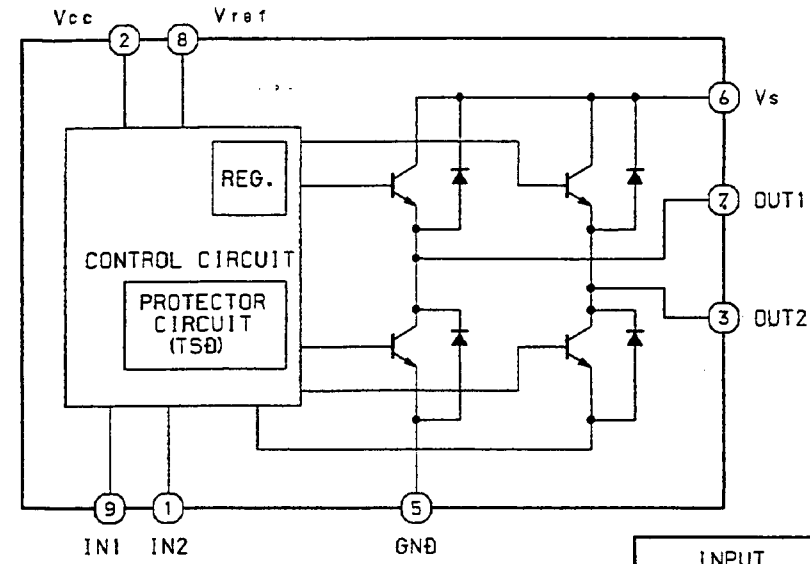
Pin No.	Pin name	I/O	Description
49	GND	—	GND.
50	EFLG	O	Error status monitor pin. (Not used)
51	FSX	O	For error status monitor trigger. (Not used)
52	DEN	I	Disk information display enable. H: BGC L: Enable (Connected to GND)
53	PALID	I	External control pin when superimposing with PAL (pull-up resistor is built in). (Not used)
54	VDD3	—	Digital power supply (+5V)
55	FSC	O	Subcarrier clock output. NTSC mode: 3.579545 MHz PAL mode: 4.433619 MHz (Not used)
56	VDD4	—	Digital power supply (+5V)
57	\overline{RESET}	I	Reset input pin.
58	$N/\overline{P}1$	I	NTSC/PAL selection pin. (RGB encoder) "H": NTSC "L": PAL
59	$N/\overline{P}2$	I	NTSC/PAL selection pin. (CD-G decoder) "H": NTSC "L": PAL
60	SON	I	Superimpose ON/OFF pin. (Connected to GND)
61	XIN2	I	Crystal oscillator 17.734476 MHz. (for PAL)
62	XOUT2	O	Crystal oscillator 17.734476 MHz. (for PAL)
63	XIN1	I	Crystal oscillator connection 14.31818 MHz. (for NTSC)
64	XOUT1	O	Crystal oscillator connection 14.31818 MHz. (for NTSC)

IC BLOCK DIAGRAM

IC, LC3246P



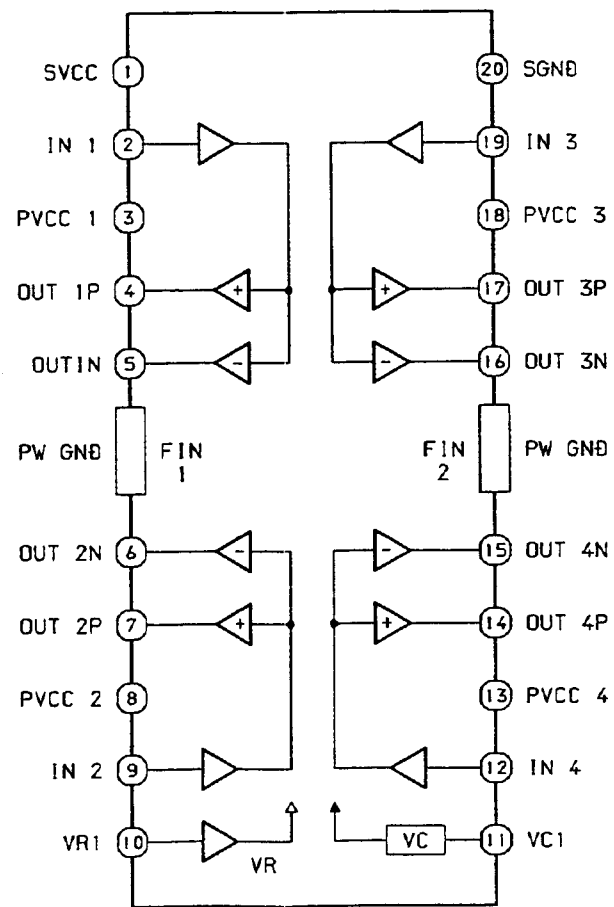
IC, TA7291S



INPUT		OUTPUT		MODE
IN1	IN2	OUT1	OUT2	
0	0	∞	∞	STOP
1	0	H	L	CW
0	1	L	H	CCW
1	1	L	L	BRAKE

∞ : HI IMPEDANCE
NOTE : INPUT "H" ACTIVE

IC, TA2058F



TEST MODE

1. CDテストモードの起動方法

ファンクションCDの鈕を押しながら、ACプラグを挿入する。
上記によりFL表示管が全て点灯し、テストモードが起動します。

2. CDテストモードの解除方法

下記のいずれか1つの操作で解除します。
ファンクション鈕を押す ・ パワーSW鈕を押す。
(CDファンクション鈕以外) ・ ACプラグを抜く。

3. CDテストモードの機能説明

テストモード起動後、各操作鈕を押す事により次のNo.1～No.5の各モード機能が使用できます。

Mode/No.	操作	FL表示	動作	内容
スタートモード No.1	起動	全灯表示	<ul style="list-style-type: none"> TEST MODE起動 LASER DIODE常時発光 (CDブロック電源ON) 	<ul style="list-style-type: none"> FL表示確認 (全灯) APC回路確認 レーザー電流測定 (レーザー電流コントロール、トランジスタのエミッター-GND間の抵抗の両端。)
サーチモード No.2	■ 鈕		<ul style="list-style-type: none"> 連続フォーカスサーチ (PUレンズがフルスイングを繰り返す) * 10分以上の連続フォーカスは避けて下さい。 *注1 	FOCUS SERVO <ul style="list-style-type: none"> フォーカスラッチ波形確認 フォーカスエラー波形確認 (サーチモードではFOK/FZCは監視せず。)
プレイモード No.3	◀▶ 鈕		<ul style="list-style-type: none"> 通常再生 TOC READ出来ない場合フォーカスサーチを続行 *注1 	FOCUS SERVO/TRACKING SERVO CLV SERVO/SLED SERVO FOK/FZC確認
トラバースモード No.4	鈕		<ul style="list-style-type: none"> DISC通常再生中 1回押すトラッキングサーボ OFF 2回押すトラッキングサーボ ON *注2 	TRACKING SERVO ON/OFF トラッキングバランス (トラバース) 調整
スレッドモード No.5	◀◀ 鈕 ▶▶ 鈕	全灯表示	<ul style="list-style-type: none"> ピックアップ外周へ移動 ピックアップ内周へ移動 *注3 (再生中は通常動作致します) 	SLED SERVO SLED メカ動作確認

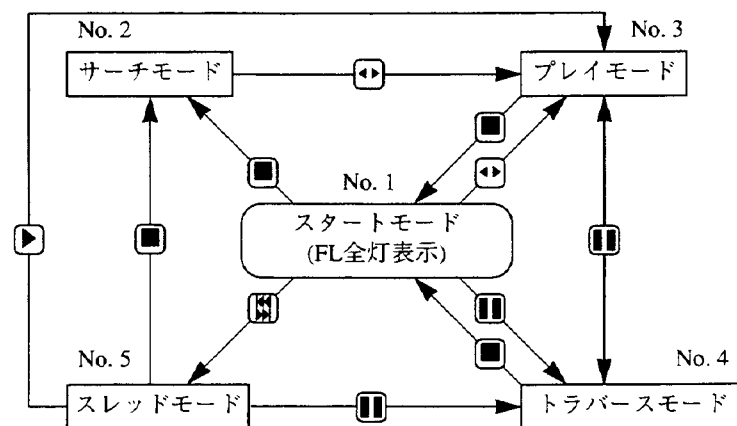
*注1 フォーカスサーチを連続して10分以上動作し続けるとドライバーICが発熱し保護回路が働く為、トラッキングサーボがかからない状態となる場合があります。この様な場合には、電源を切り約10分間放熱後、再スタートして下さい。

*注2 「||」状態で、「◀◀」または「▶▶」鈕を押さない事。「||」状態解除後、再生出来なくなります。「||」状態で、「◀◀」または「▶▶」鈕を押した場合には「■」鈕を押しスタートモード (No.1) に戻して下さい。

*注3 ピックアップが最内周、最外周の位置でも「◀◀」または「▶▶」鈕を押している間はスレッドモータが回転する為、ギヤ破損に注意して下さい。

4. 操作概要

下図の様にスタートモードから、矢印方向の流れで各モードの操作が行えます。モード変更は、下図の流れに従って下さい。



尚、DISC DIRECT PLAY鈕を押した場合には、上図のPLAY鈕を押した時と同様の動作となります。またプレイモード/トラバースモード時にopen/close鈕により、トレイをopenさせた場合には、スタートモードに戻ります。

1. How to Activate CD Test Mode

Insert the AC plug while pressing the function CD button.
All FL display tubes will light up, and the test mode will be activated.

2. How to Cancel CD Test Mode

Either one of the following operations will cancel the CD test mode.

- Press the function button.
- Press the power switch button. (except CD function button)
- Disconnect the AC plug

3. CD Test Mode Functions

When test mode is activated, the following mode functions from No.1 to No.5 can be used by pressing the operation keys.

Mode/No.	Operation	FL display	Operation	Contents
Start mode No.1	Activation	All lamps light	<ul style="list-style-type: none"> Test mode is activated. Laser diode turns always ON. (CD block power is ON.) 	<ul style="list-style-type: none"> FL display check (All displays light.) APC circuit check Laser current measurement (Laser current control. Across a resistor connected between emitter and GND.)
Search mode No.2	■ key		<ul style="list-style-type: none"> Continual focus search (The pickup lens repeats the full-swing up-down motion.) * Avoid continual searches that last for more than 10 minutes. * NOTE 1 	FOCUS SERVO <ul style="list-style-type: none"> Check focus search waveform Check focus error waveform (FOK/FZC are not monitored in the search mode)
Play mode No.3	◀▶ key		<ul style="list-style-type: none"> Normal playback Focus search is continued if TOC cannot be read. * NOTE 1 	FOCUS SERVO/TRACKING SERVO CLV SERVO/SLED SERVO Check FOK/FZC
Traverse mode No.4	key		<ul style="list-style-type: none"> During normal disc playback Press once; tracking servo OFF Press twice; tracking servo ON * NOTE 2 	TRACKING SERVO ON/OFF Tracking balance (traverse) adjustment
Sled mode No.5	◀◀ key ▶▶ key	All lamps light	<ul style="list-style-type: none"> Pickup moves to the outermost track Pickup moves to the innermost track * NOTE 3 (During playback, machine operates normally.)	SLED SERVO Check SLED mechanism operation

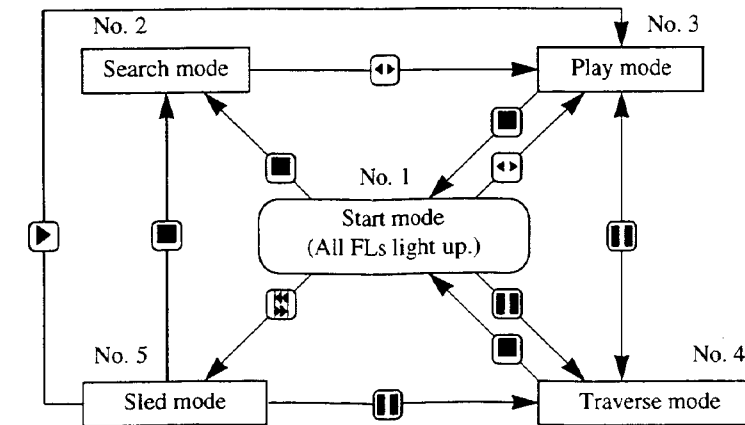
* NOTE 1: There are cases when the tracking servo cannot be locked owing to the protection circuit being operated when heat builds up in the driver IC if the focus search is operated continually for more than 10 minutes. In these cases the power supply should be switched off for 10 minutes until heat has been reduced and then re-started.

* NOTE 2: Do not press the ◀◀ or ▶▶ keys when the machine is in the || status is active. If they are pressed, playback will not be possible after the || status has been canceled. If the ◀◀ or ▶▶ keys are pressed in the || status, press the ■ key and return to the start mode (No.1).

* NOTE 3: When pressing the ◀◀ or ▶▶ keys, take care to avoid damage to the gears. Because the sled motor is activated when the ◀◀ or ▶▶ keys are pressed, even when the pick-up is at the outermost or innermost track.

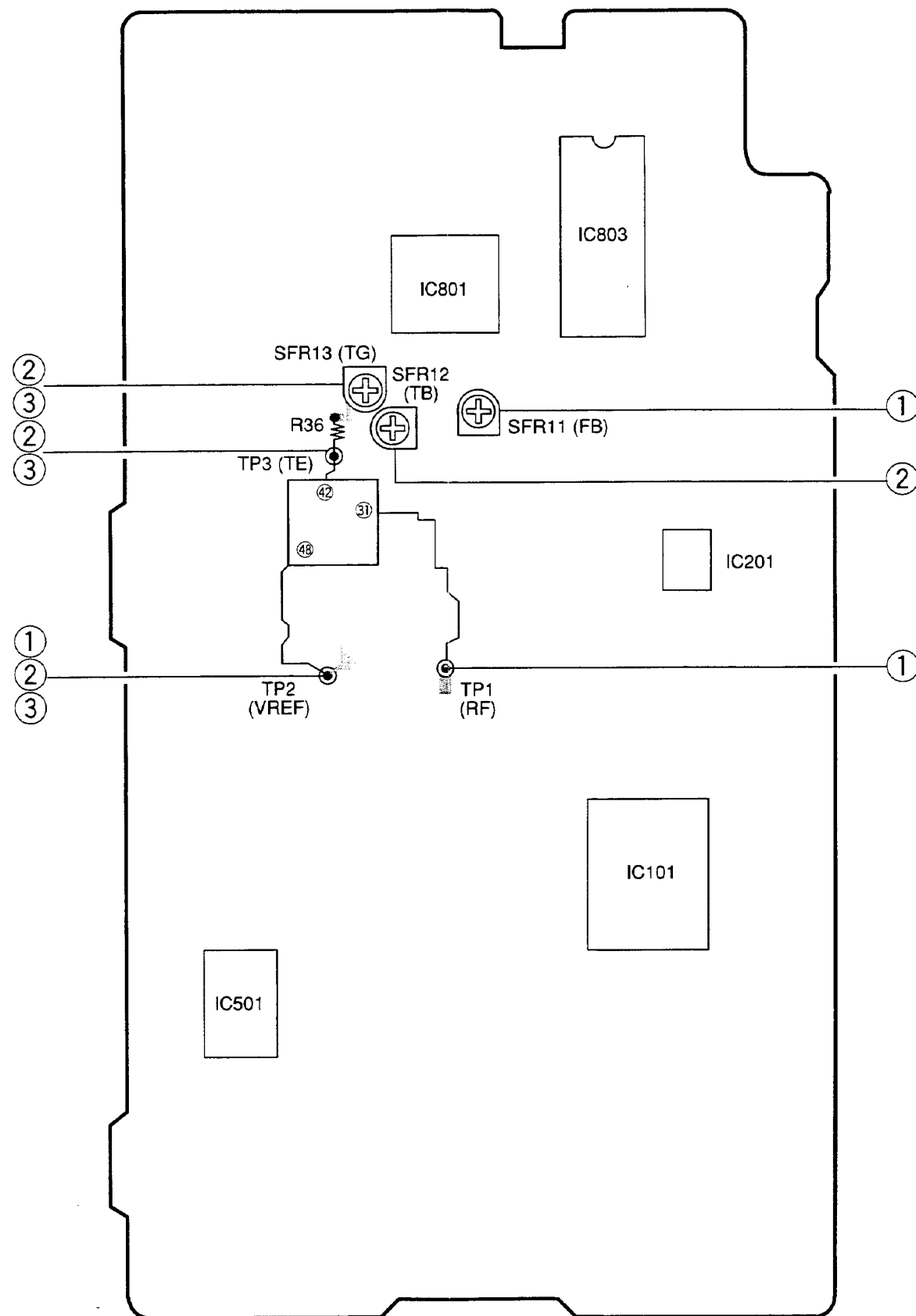
4. Operation Outline

The operation of each mode is carried out in the direction of the arrows from the start mode as indicated in the following illustration.



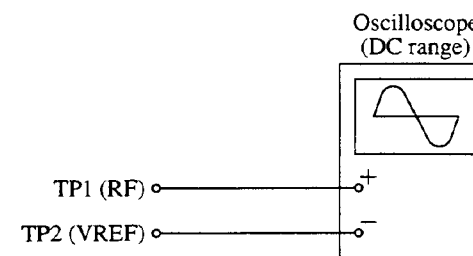
If the DISC DIRECT PLAY button is pressed, the machine performs the same operation as the PLAY button is pressed as shown. If the tray is opened by pressing OPEN/CLOSE button during Play mode or Traverse mode, the machine returns to the Start mode.

A 3CD C.B

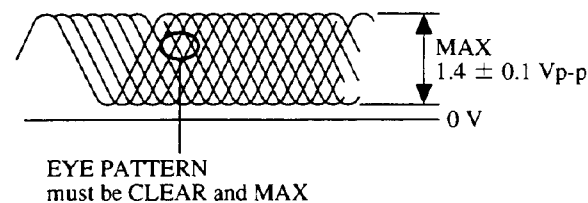


注意: ・ (10:1) のプローブを接続して、調整して下さい。
 ・ 各調整には、オシロスコプの⊖側をTP2 (VREF) に接続して下さい。

1. フォーカスバイアス調整
 この調整は、光学系ブロックを交換修理した場合に調整すること。

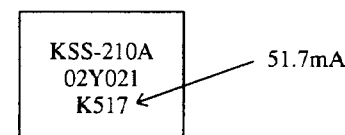


- 1) テストポイントTP1 (RF)、TP2 (VREF) にオシロスコプを接続する。
- 2) POWERスイッチをONにする。
- 3) テストディスクTCD-782 (YEDS-18) を入れて2曲目をPLAYさせる。
- 4) オシロスコプの波形の振幅が最大となり、かつ中央のひし形が、鮮明になるようにSFR11を調整する。



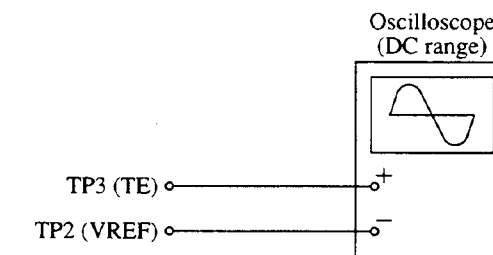
VOLT/DIV : 0.5V
 TIME/DIV : 1μS

(注) レーザー電流の確認はR28 (10Ωの両端電圧) で行えます。レーザーピックアップの裏側のラベルの電流値に対して±6.0mAに入っていること。

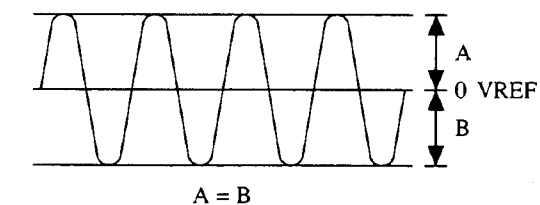


$$\text{レーザー電流 } I_{op} = \frac{\text{R28の両端電圧}}{10\Omega}$$

2. トラッキング・バランス調整



- 1) テストポイントTP3 (TE)、TP2 (VREF) にオシロスコプを接続する。
- 2) POWERスイッチをONにする。
- 3) テストディスクTCD-782 (YEDS-18) を入れて、▶PLAY状態にする。
- 4) SFR13の中心をTP2 (VREF) におとす。
- 5) オシロスコプのトラバース波形が、下図のように上下対称になるようにSFR12を調整する。
- 6) 調整後、各端子のアースリード線ははずす。



VOLT/DIV : 200mV
 TIME/DIV : 1mS

3. トラッキングゲイン調整
 この調整を正確に行うためには、サーボアナライザが必要です。しかし、このゲインはマージンを持っているため、通常では少し位ずれてもほとんど問題はありません。したがってこの調整は行わないで下さい。フォーカス/トラッキングゲインは2軸デバイス動作時の機械的雑音と機械的ショックに対するピックアップの追従性を決めています。しかし、これは互いに相反するため、両方を満足する点に調整してあります。
 - ゲインを上げると2軸デバイス動作時の雑音が増加する。
 - ゲインを下げると機械的ショックに弱くなり音飛びを起こしやすくなる。そしてゲインの調整がずれていると次頁の様な症状が出ます。

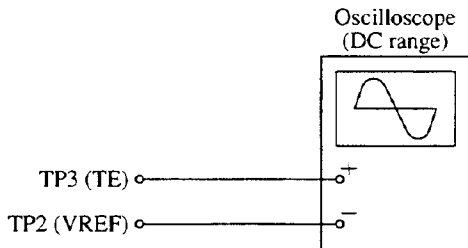
症状	ゲイン (フォーカス)	トラッキング
● STOP→▶PLAY時,又は自動選曲時(◀▶)ボタンを押したときに演奏が始まるまでの時間が長くなる。(通常は2秒位です。)	低い	低い 又は 高い
● STOP→▶PLAY時,又は自動選曲時(◀▶)ボタンを押したときに演奏が始まらないでディスクが回転を続ける。	—	低い
● STOP→▶PLAY時,しばらくすると回転が止まる。	低い又は高い	—
● 演奏中に音がとぎれる。又,タイムカウンターが表示が進まなくなる。	—	低い
● 2軸デバイス動作時のノイズが多くなる。	高い	高い

なお、簡易調整として下記の方法があります。

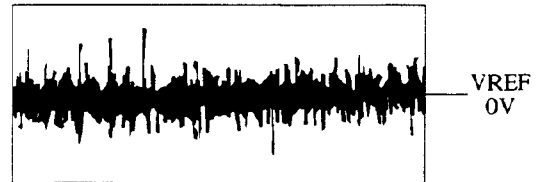
— 簡易調整 —

注意: 正確には調整できないため、調整を行う前にボリュームの位置を覚えておいて、簡易調整を行った後のボリュームの位置と比較して、そのずれが少ないときは元のボリュームの位置に戻しておいて下さい。

調整方法:



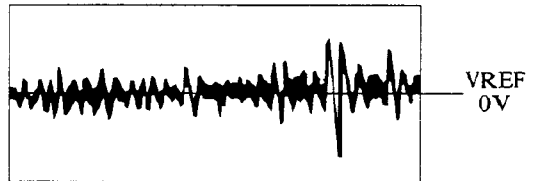
1. セットを水平に置く。(セットを水平に置かないと2軸デバイスが重力の影響を受け、調整出来ません。)
2. テストディスクTCD-782 (YEDS-18)を入れて2曲目を再生する。
3. オシロスコープを3CD基板のTP3 (TE)、TP2 (VREF)に接続する。
4. オシロスコープの波形が下図の波形になるようにSFR13を調整する。(トラッキングゲイン調整)



VOLT/DIV : 50mV
TIME/DIV : 1mS

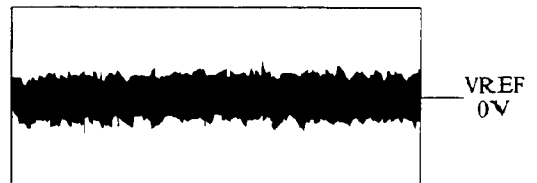
● 悪い例

トラッキングゲインが低い時
(調整されている波形と比べて基本波が表れるようになる。)



VOLT/DIV : 50mV
TIME/DIV : 1mS

トラッキングゲインが高い時
(ゲインが低い時と比べて基本波が高い)

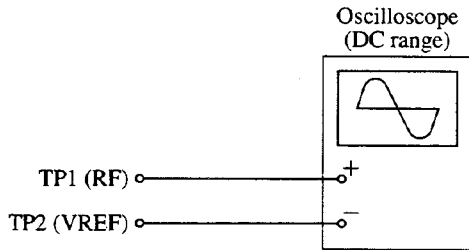


VOLT/DIV : 50mV
TIME/DIV : 1mS

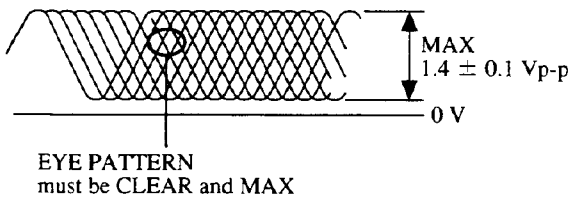
Note: Connect a probe (10: 1) of the oscilloscope or the frequency counter to a test point.

1. Focus Bias Adjustment

Make the focus bias adjustment when replacing and repairing the optical block.

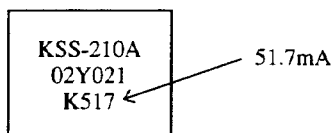


- 1) Connect an oscilloscope to test points TP1 (RF) and TP2 (VREF).
- 2) Turn on the power switch.
- 3) Insert test disc TCD-782 (YEDS-18) and play back the second composition.
- 4) Adjust SFR11 so that RF signal of test point TP1 (RF) is MAX and CLEARREST.



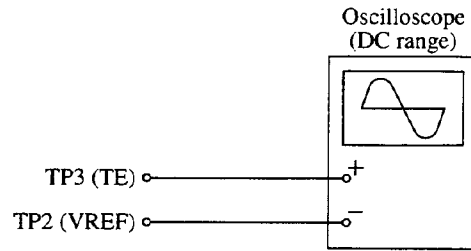
VOLT/DIV : 0.5 V
TIME/DIV : 1μS

Note: The current of the laser signal can be checked with the voltages on both sides of R28 (10Ω). The difference for the specified value shown on the level must be within ± 6.0mA.

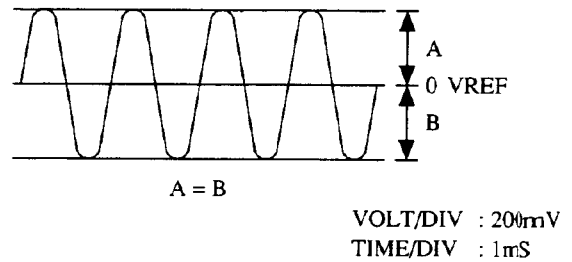


$$\text{Laser current } I_{op} = \frac{\text{Voltage across R28}}{10\Omega}$$

2. Tracking Balance Adjustment



- 1) Connect an oscilloscope to test points TP3 (TE) and TP2 (VREF).
- 2) Turn on the power switch.
- 3) Insert test disc TCD-782 (YEDS-18) and press the PLAY button.
- 4) Connect the intermediate point of SFR13 to TP2 (VREF).
- 5) Adjust SFR12 so that the waveform on the oscilloscope is vertically symmetrical as shown in the figure below.
- 6) After the adjustment is completed, remove the connected lead wires from the terminals.



3. Tracking Gain Adjustment

A servo analyzer is necessary in order to perform this adjustment exactly. However, this gain has a margin, so even if it is slightly off, there is no problem. Therefore, do not perform this adjustment.

Focus/tracking gain determines the pick-up follow-up (vertical and horizontal) relative to mechanical noise and mechanical shock when 2-axis device operates. However, as these reciprocate, the adjustment is at the point where both are satisfied.

- When gain is raised, the noise increases when the 2-axis device operates.
- When gain is lowered, it is more susceptible to mechanical shock and skipping occurs more easily.

When the gain adjustment is off, the symptoms below appear.

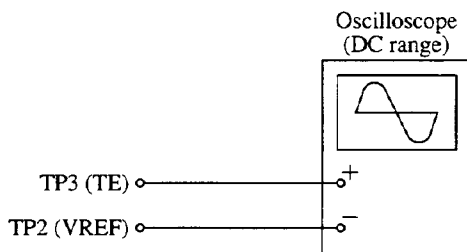
Symptoms	Gain	(Focus)	Tracking
● The time until music starts becomes longer for STOP → PLAY or automatic selection (◀◀, ▶▶ buttons pressed.) (Normally takes about 2 seconds.)		low	low or high
● Music does not start and disc continues to rotate for STOP → PLAY or automatic selection (◀◀, ▶▶ buttons pressed.)		—	low
● Disc stops to rotate shortly after STOP → PLAY.		low or high	—
● Sound is interrupted during PLAY. Or time counter display stops.		—	low
● More noises during the 2-axis device operation.		high	high

The following is simple adjustment method.

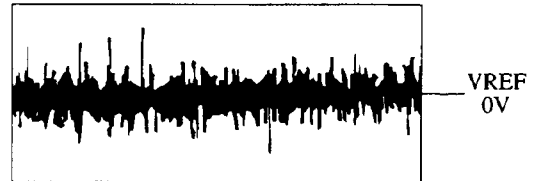
— Simple adjustment —

Note: Since the exact adjustment cannot be performed, remember the positions of the controls before the performing the adjustment. If the positions after the simple adjustment are only a little different, return the controls to the original position.

Procedure:



- 1) Keep the set horizontal. (If the set is not kept horizontally, this adjustment cannot be performed due to the gravity against the 2-axis device.)
- 2) Insert test disc TCD-782 (YEDS-18) and play back the second composition.
- 3) Connect an oscilloscope to TP3 (TE), TP2 (VREF) of the CD C.B.
- 4) Adjust SFR13 so that the waveform appears as shown in the figure below. (tracking gain adjustment)

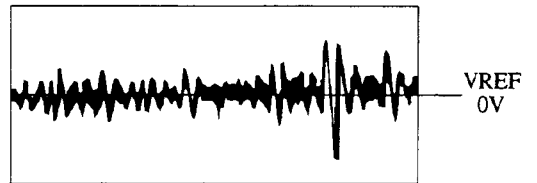


VOLT/DIV: 50 mV
TIME/DIV: 1 mS

- Incorrect example

Low tracking gain

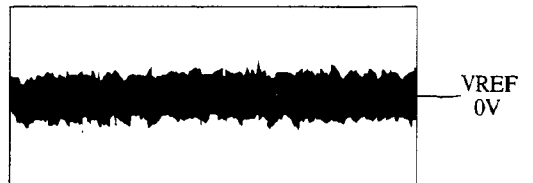
The fundamental wave appears as compared with the waveform adjusted.



VOLT/DIV: 50 mV
TIME/DIV: 1 mS

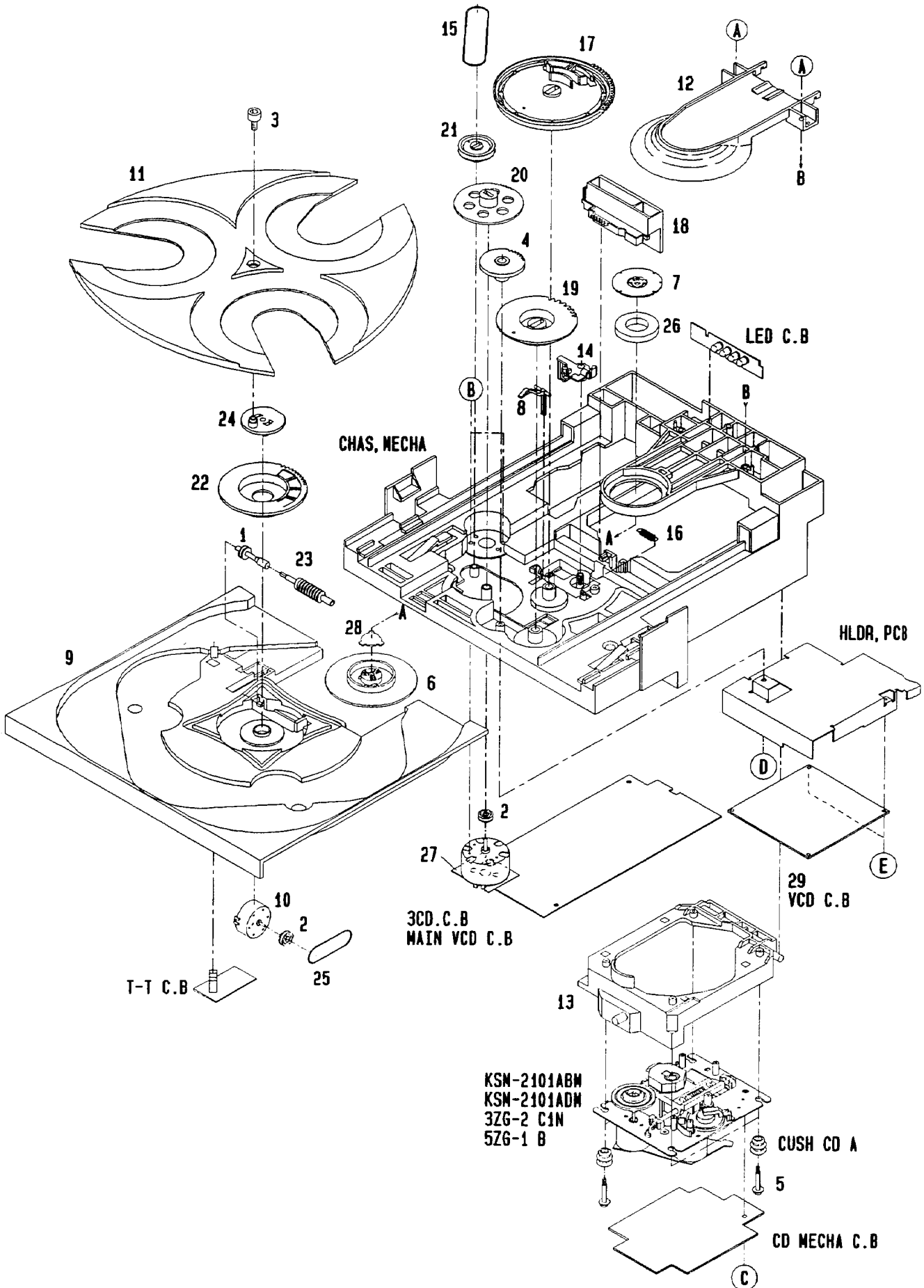
High tracking gain

The frequency of the fundamental wave is higher than that in low gain.



VOLT/DIV: 50 mV
TIME/DIV: 1 mS

MECHANICAL EXPLODED VIEW 1 / 1

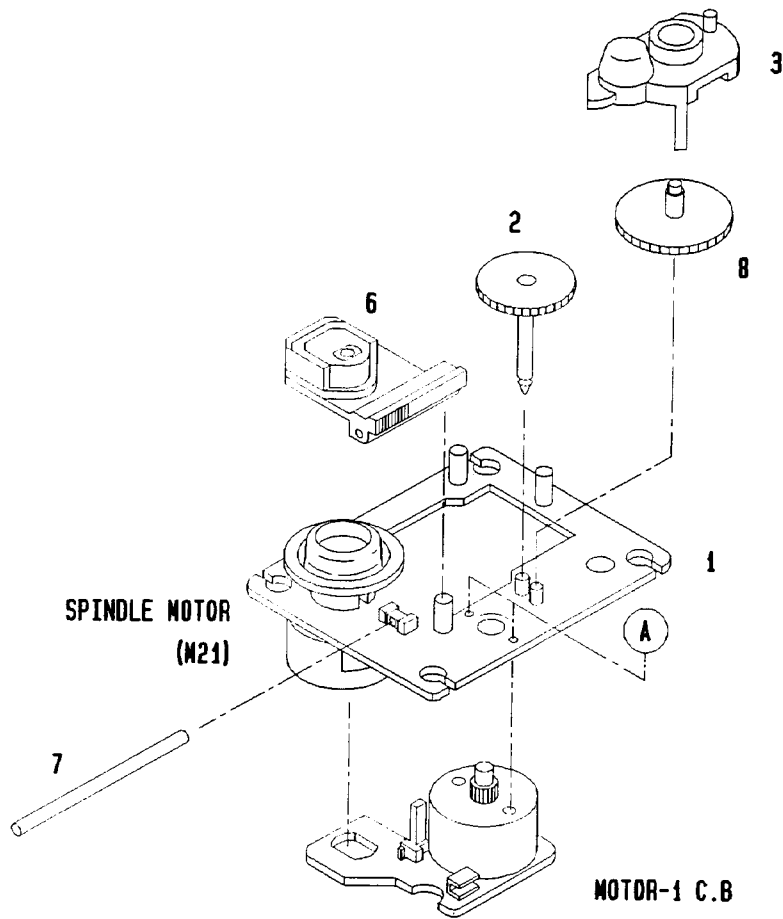


MECHANICAL PARTS LIST 1 / 1

DESCRIPTIONで判断できない物は“REFERENCE NAME LIST”を参照してください。
If can't understand for Description please kindly refer to “REFERENCE NAME LIST”.

REF. NO	PART NO.	カ リ NO.	DESCRIPTION	REF. NO	PART NO.	カ リ NO.	DESCRIPTION
1	84-ZG1-239-010	0E	PULLY, WORM N	17	84-ZG1-215-119	1B	GEAR, MAIN CAM BLU
2	81-ZG1-212-010	0E	PULLY, LOAD MO	18	84-ZG1-216-219	1A	SLIDE, MECHA CAM YEL
3	81-ZG1-239-010	0E	S-SCREW, TT	19	84-ZG1-205-119	1A	GEAR, TRAY
4	81-ZG1-291-019	0E	GEAR, TRAY RELAY NO3	20	84-ZG1-206-119	0E	GEAR, RELAY
5	84-ZG1-240-010	0E	S-SCREW, MECH REAR 2<EXCEPT CR>	21	84-ZG1-219-01K	0E	PULLY, RELAY BGE
5	85-XC2-224-010	0E	S-SCREW, CD<CR>	22	84-ZG1-221-019	1A	GEAR, MAIN TT
6	81-ZG1-277-219	1A	HLD, MAGNET N<EXCEPT G, R, CR>	23	84-ZG1-238-010	1A	GEAR, WORM N
6	85-XC2-213-010	0E	HLD, DISC A<CR>	24	84-ZG1-224-019	0E	LEVER, TT
6	81-ZG1-228-210	1A	HLD, MAGNET<G, R>	25	84-ZG1-225-010	0E	BELT, SQ1.0-63.3
7	81-ZG1-255-119	0E	PLATE, MAGNET MK2<EXCEPT VI, CR>	26	87-036-326-010	1A	MAGNET, CLAMPER 93<G, D, F, FJ, R, V>
7	85-XC2-214-010	0E	HLD, DISC B<CR>	26	83-ZG3-602-010	1A	RING, MAG<VI, V2, V3>
7	81-ZG1-229-110	0E	PLATE, MAGNET<VI>	27	84-ZG1-231-019	0E	SHLD CORE, MOT S<EXCEPT VI, CR>
8	83-ZG3-213-019	0E	LVR, SW	28	85-XC2-215-010	0E	PLATE, MAGNET<CR>
9	84-ZG1-007-019	1D	TRAY, NO<CR>	29	85-NFT-617-010	--	MPEG MODULE NTSC<V2>
9	84-ZG1-004-01S	1F	TRAY, NO2<EXCEPT R, CR>	A	87-067-703-010	0E	BVT2+3-10 W/O SLOT<EXCEPT VI, CR>
9	84-ZG1-003-019	1D	TRAY, NO2-B<R>	B	87-251-070-419	0E	U+2.6-3
10	87-045-364-019	1D	MOTOR, (BCH3B14)	C	87-342-036-210	0E	UT2+2-8<V2, V3>
11	84-ZG1-005-119	1C	TURNTABLE, NO1<EXCEPT CR>	D	87-067-579-019	0E	BVT2+3-8W/O SLOT<V2, V3>
11	84-XC1-024-010	1H	TURNTABLE, NO2<CR>	E	81-557-598-010	0E	UTT+2-5 C-TITE<V2, V3>
12	84-ZG1-010-019	1B	IND, CD N<EXCEPT VI, CR>				
13	84-ZG1-212-119	1A	HLD, MECHA NO2<EXCEPT CR>				
13	84-XC1-219-010	1C	HLD, MECHA-R<CR>				
14	84-ZG1-208-019	0E	LEVER, CAM				
15	84-ZG1-209-010	0E	BELT, SQ1.8-117.7				
16	84-ZG1-211-019	0E	SPR-E CAM S				

CD MECHANISM EXPLODED VIEW 1 / 1 (KSM-2101ADM <G, D, F, FJ, R, V>)

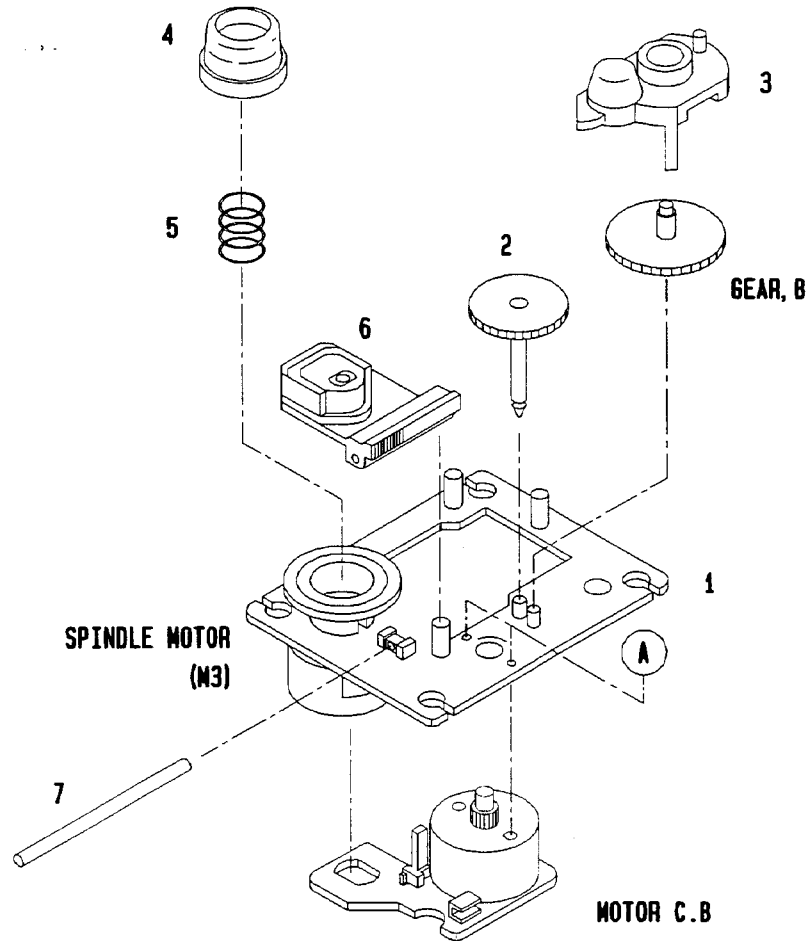


CD MECHANISM PARTS LIST 1 / 1 (KSM-2101ADM <G, D, F, FJ, R, V>)

DESCRIPTIONで判断できない物は“REFERENCE NAME LIST”を参照してください。
 If can't understand for Description please kindly refer to “REFERENCE NAME LIST”.

REF. NO	PART NO.	カリ NO.	DESCRIPTION	REF. NO	PART NO.	カリ NO.	DESCRIPTION
1	9X-262-587-110	--	MOTOR CHASSIS ASSY	8	92-626-081-010	1C	GEAR B
2	92-625-188-020	1C	GEAR (A)	A	87-261-032-210	0E	V+2-3
3	92-625-544-010	1F	COVER				
6	98-848-127-110	2G	OPTICAL PICK UP KSS-210A				
7	92-626-908-010	2A	SHAFT SLED				

CD MECHANISM EXPLODED VIEW 1 / 1 (KSM-2101ABM <VI>)

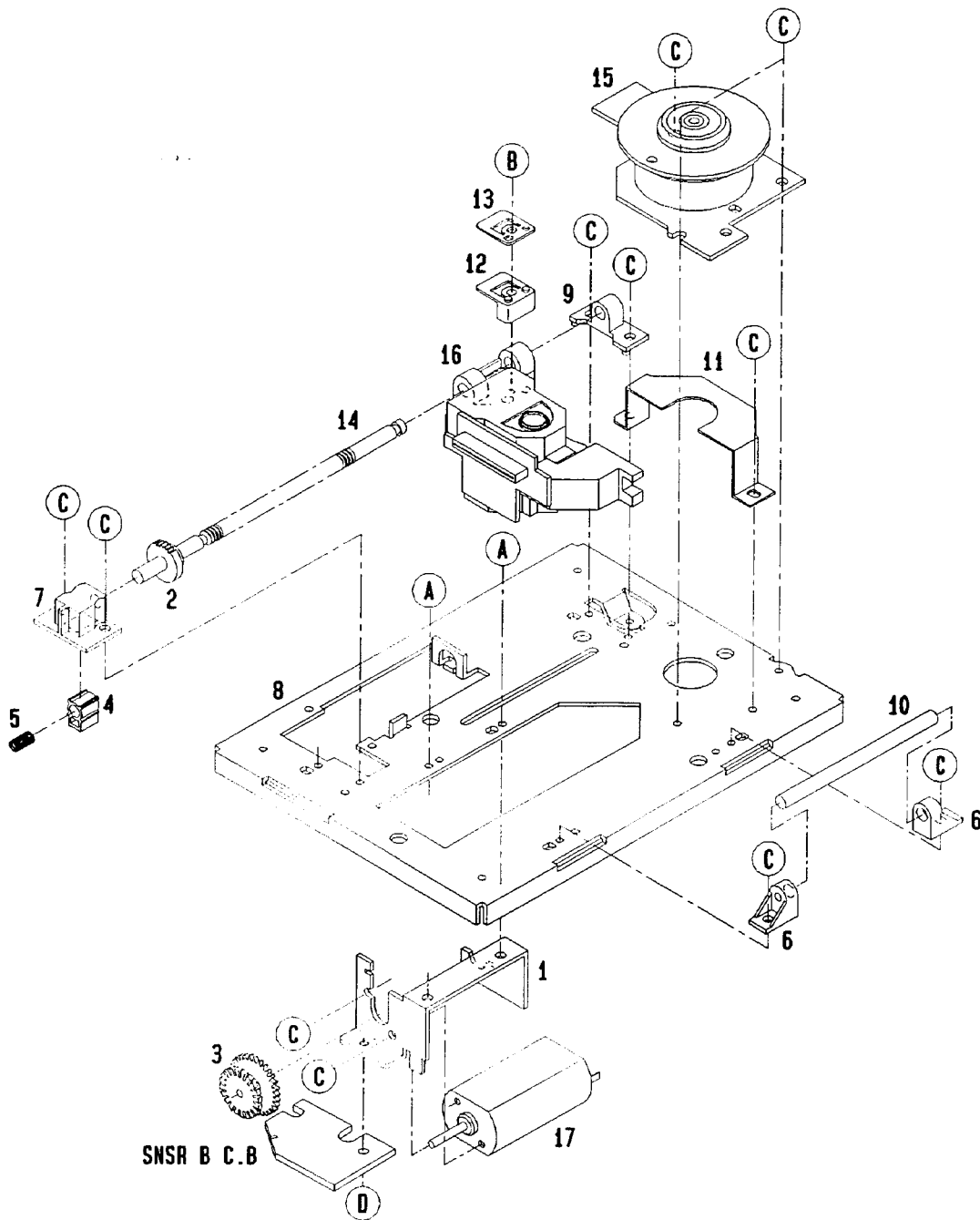


CD MECHANISM PARTS LIST 1 / 1 (KSM-2101ABM <VI>)

DESCRIPTIONで判断できない物は“REFERENCE NAME LIST”を参照してください。
If can't understand for Description please kindly refer to “REFERENCE NAME LIST”.

REF. NO	PART NO.	カリ NO.	DESCRIPTION	REF. NO	PART NO.	カリ NO.	DESCRIPTION
1	9X-262-513-310	2C	T.T CHASS ASSY W/MOTOR	6	98-848-127-110	2G	OPTICAL PICK UP KSS-210A
2	92-625-188-020	1C	GEAR(A)	7	94-917-565-010	2M	SHAFT SLED
3	92-625-544-010	1F	COVER	A	87-261-032-210	0E	V+2-3
4	92-625-187-010	1B	RING CENTER				
5	92-625-191-010	1B	SPRING COMPRESSION				

CD MECHANISM EXPLODED VIEW 1 / 1 (5ZG-1B <CR>)



SNSR B C.B

CD MECHANISM PARTS LIST 1 / 1 (5ZG-1B <CR>)

DESCRIPTIONで判断できない物は“REFERENCE NAME LIST”を参照してください。
If can't understand for Description please kindly refer to “REFERENCE NAME LIST”.

REF. NO	PART NO.	カリ NO.	DESCRIPTION	REF. NO	PART NO.	カリ NO.	DESCRIPTION
1	84-XC1-220-010	1A	HLDR, MTR	16	85-ZG1-615-010	2E	PICK UP UNIT, KSS500A
2	85-ZG1-208-010	0E	GEAR, SHAFT	17	85-ZG1-616-010	1H	MOT, FF-050SH-11190
3	85-ZG1-210-010	0E	GEAR, MOTOR	A	87-265-544-310	0E	V+2-2.2 NI
4	85-ZG1-217-010	0E	COLLAR, THRUST	B	87-268-533-310	0E	V+1.7-6 F-ZN
5	85-ZG1-218-010	0E	SPR-C, THRUST	C	87-268-547-310	0E	V+2-3
6	85-ZG1-250-010	0E	HLDR, SHAFT	D	87-571-033-410	0E	VIT+2-4
7	85-ZG1-251-010	0E	HLDR, GUIDE RE				
8	85-ZG1-252-010	1B	CHAS				
9	85-ZG1-254-010	0E	HLDR, GUIDE FR				
10	85-ZG1-255-010	1A	SHAFT				
11	85-ZG1-257-010	0E	PLATE, MOTOR				
12	85-ZG1-258-010	0E	RACK				
13	85-ZG1-259-010	0E	SPR-P, RACK				
14	85-ZG1-263-010	1E	SHAFT, SLED				
15	85-ZG1-614-010	2E	MCT, SP				

4ZG-1<G, D, F, R, V2, V3>

4ZG-1<G, D, F, FJ, R, V, VI, CR> と共通部分は、下記のページを参照して下さい。
Refer to the following pages for the 4ZG-1<G, D, F, FJ, R, V, VI and CR> and the common sections.

■ IC DESCRIPTION

CXA1782BQ	17 ページ参照
	See Page 23
LC7872E	21 ページ参照
	See Page 27

■ MECHANICAL EXPLODED VIEW 1 / 1

38 ページを参照して下さい。
See Page 38.

■ MECHANICAL PARTS LIST 1 / 1

39 ページを参照して下さい。
See Page 39.

■ IC BLOCK DIAGRAM

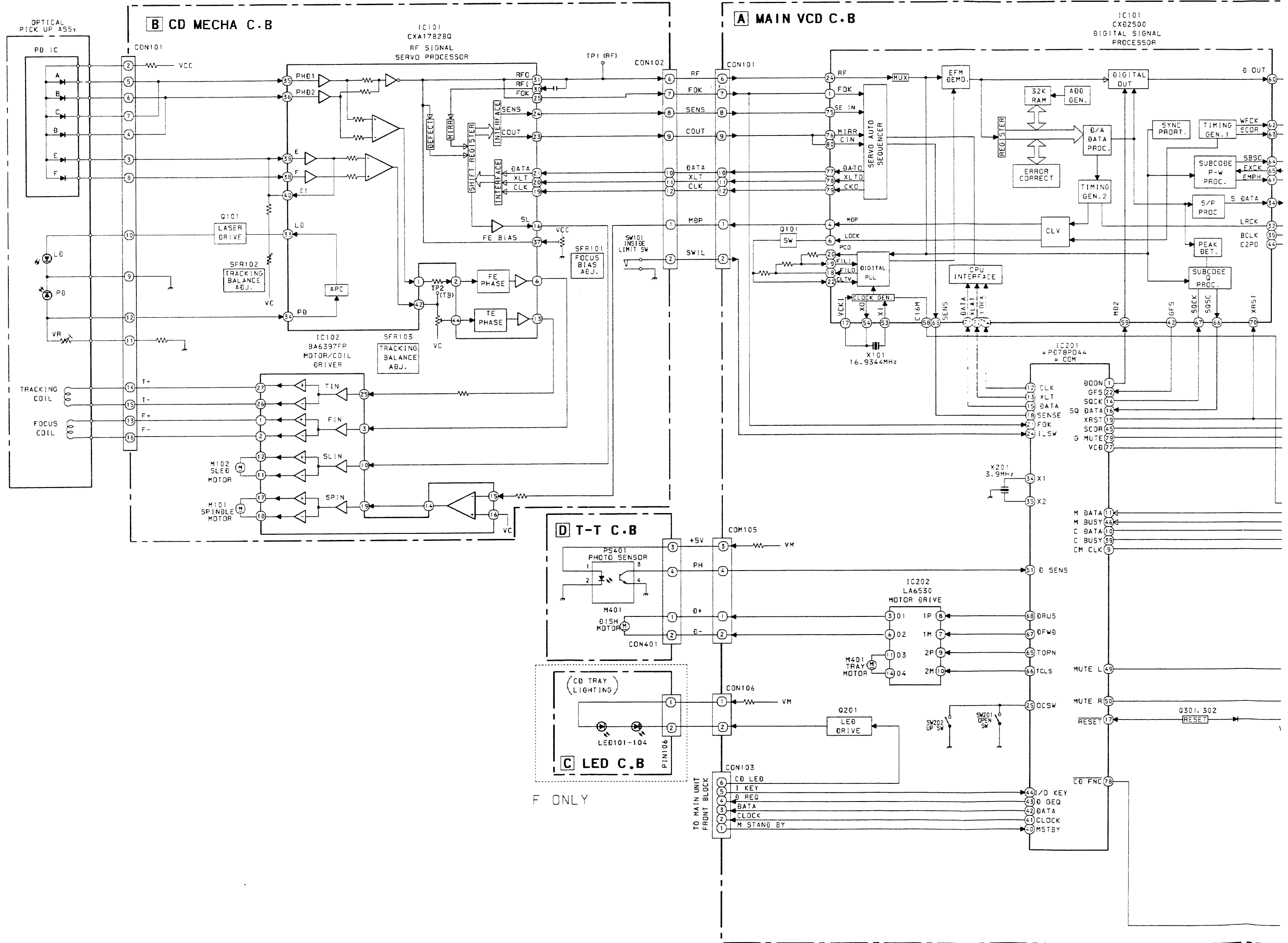
LC32464P-80	29 ページ参照
	See Page 29

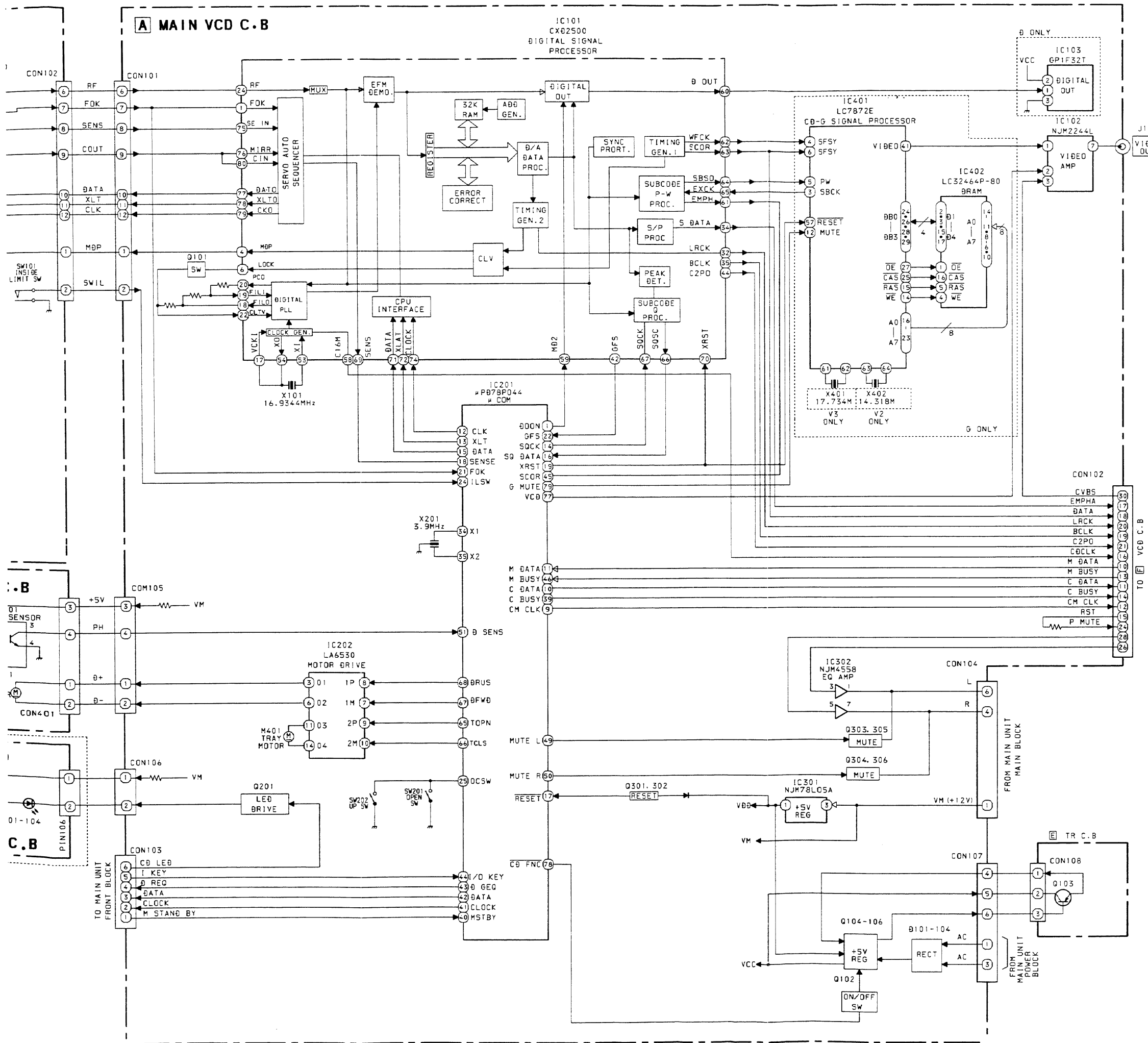
ELECTRICAL MAIN PARTS LIST

DESCRIPTION で判断できない物は“REFERENCE NAME LIST”を参照してください。
If can't understand for Description please kindly refer to "REFERENCE NAME LIST".

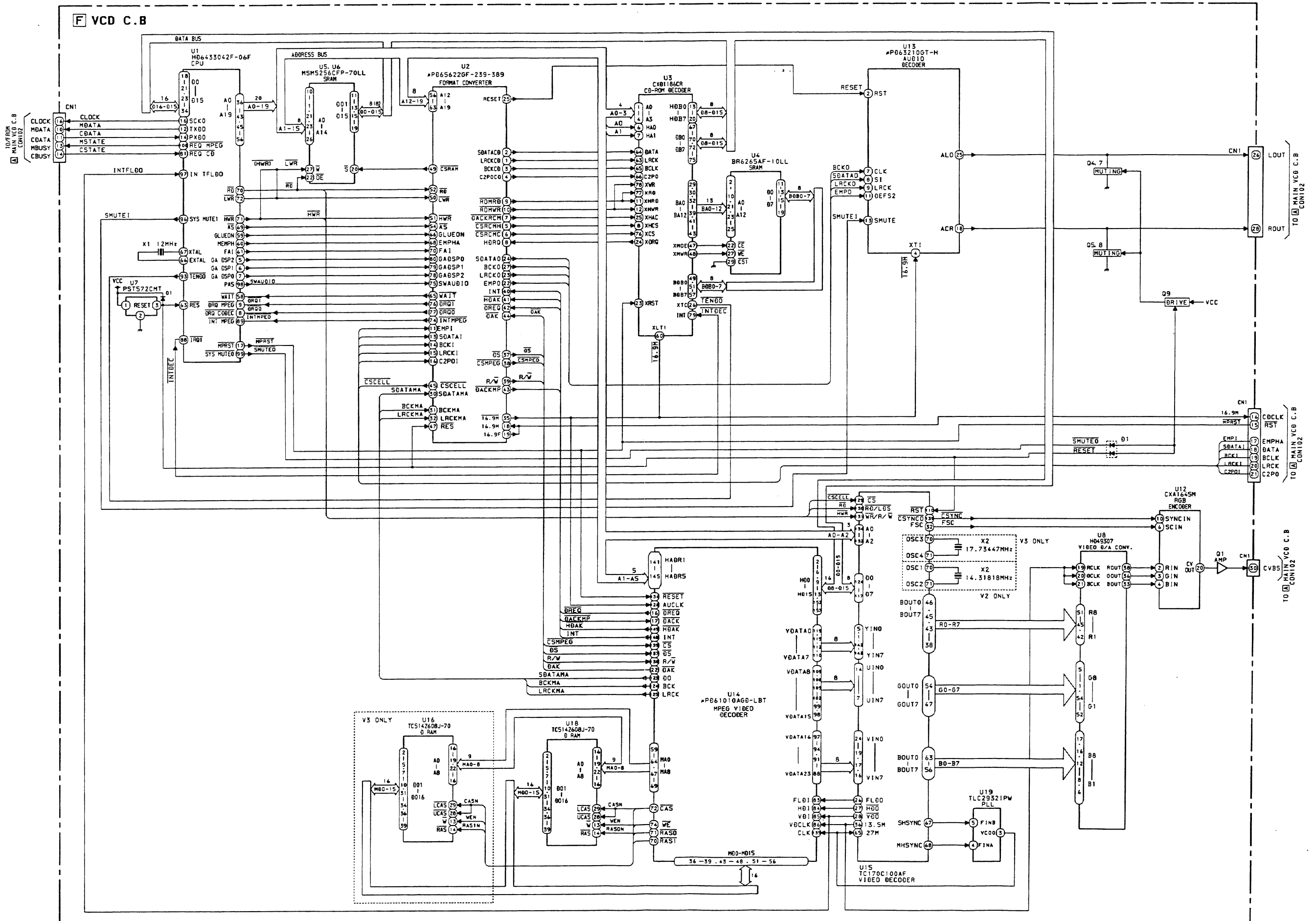
REF. NO.	PART NO.	カンリ NO.	DESCRIPTION	REF. NO.	PART NO.	カンリ NO.	DESCRIPTION
IC							
	87-017-745-019	2A	IC, CXA1782BQ	C122	87-010-320-089	0E	C-CAP, S 68P-50 CH<D>
	87-002-783-110	2Y	IC, CXD2500BQ	C123	87-010-401-089	0E	CAP, E 1-50 SME
	87-070-120-049	1H	IC, BA6897 FP	C124	87-A10-011-019	??	CAP, E 2200-25 SMG
	87-070-429-019	1C	IC, NJM2244L	C125	87-010-322-089	0E	C-CAP, S 100P-50 CH
	87-017-825-019	1E	IC, GP1F32T<D>	C126	87-010-178-089	0E	C-CAP, S 1000P-50 B
	85-NFT-614-010	2M	IC, UPD78044BGF-021	C127	87-010-314-089	0E	C-CAP, S 22P-50 CH<G>
	87-070-430-019	1D	IC, LA6530	C128	87-010-320-089	0E	C-CAP, S 68P-50 CH
	87-020-881-089	1A	IC, NJM78L05A	C129	87-010-263-089	0E	CAP, E 100-10 SME<D>
	87-017-888-089	1A	IC, NJM455BMD	C130	87-010-197-089	0E	C-CAP, S 0.01-25 B<D>
	87-017-802-010	2Y	IC, LC7872E<G>	C131	87-010-197-089	0E	C-CAP, S 0.01-25 B
	87-017-803-010	2A	IC, LC32464P-80<G>	C132	87-010-196-089	0E	C-CAP, S 0.1-25 F
	S4-730-42X-010	3M	IC, HD6473042F16 (5EULF6)<V2, V3>	C133	87-010-196-089	0E	C-CAP, S 0.1-25 F
	SX-D11-86X-010	2D	IC, CXD1186CR (5EUNFC)<V2, V3>	C134	87-010-196-089	0E	C-CAP, S 0.1-25 F
	SC-008-X81-R10	2M	IC, BR6265AF-10LL (5EUMFS)<V2, V3>	C135	87-010-196-089	0E	C-CAP, S 0.1-25 F
	SC-032-X81-MA0	2B	IC, MS5256CFP-70LL (5EUMFS)<V2, V3>	C201	87-010-382-089	0E	CAP, E 22-25 SME
	87-001-948-080	1B	IC, PST572CMT (5EUBFP)<V2, V3>	C202	87-010-197-089	0E	C-CAP, S 0.01-25 B
	SD-493-07X-010	2B	IC, HD49307 (5EUNFH)<V2, V3>	C203	87-010-382-089	0E	CAP, E 22-25 SME
	82-NV1-628-080	1H	IC, CXA1645M (5EUBFC)<V2, V3>	C204	87-010-381-089	0E	CAP, E 330-16 SME
	SP-D63-210-010	2P	IC, UPD63210GT-E1 (5EUNFU)<V2, V3>	C205	87-010-196-089	0E	C-CAP, S 0.1-25 F
	S1-010-XXX-010	3M	IC, UPD61010AGD-LBD (5EULF6)<V2, V3>	C206	87-010-196-089	0E	C-CAP, S 0.1-25 F
	SC-170-CXX-010	2D	IC, TC170C100AF-001 (5EUKFT)<V2, V3>	C207	87-010-498-049	0E	CAP, E 10-16 GAS<F>
	SC-256-KG1-T10	IC	TC514260BJ-70 (5EULMD)<V3>	C208	87-010-405-089	0E	CAP, E 10-50 SME
	SC-000-002-000	IC	TC514260BJ-70 (5EULMD)<V3>	C301	87-010-197-089	0E	C-CAP, S 0.01-25 B
	SC-000-001-000	2H	IC, TC514260BJ-70 (5EULMD)<V2>	C306	87-010-381-089	0E	CAP, E 330-16 SME
	SL-C29-32X-010	2M	IC, TLC2932IPW (5EUNFT)<V2, V3>	C307	87-010-553-049	0E	CAP, E 47-16 GAS
TRANSISTOR				C308	87-010-498-049	0E	CAP, E 10-16 GAS
	SC-408-LXX-010	1B	TR, 2SC4081 (5EQQ2S)<V2, V3>	C309	87-010-404-089	0E	CAP, E 4.7-50 SME
	S1-441-XXX-010	1B	TR, RN1441-A (5EQQRN)<V2, V3>	C310	87-010-404-089	0E	CAP, E 4.7-50 SME
	SA-157-6XX-010	1B	TR, 2SA1576 (5EQQ2S)<V2, V3>	C311	87-012-140-089	0E	C-CAP, S 470P-50 CH
	89-111-625-089	0E	C-TR, 2SA1162GR	C312	87-012-140-089	0E	C-CAP, S 470P-50 CH
	87-026-237-089	0E	C-TR, DTC124XX	C313	87-010-263-089	0E	CAP, E 100-10 SME
	89-213-702-019	1A	TR 2SB1370E	C315	87-010-404-089	0E	CAP, E 4.7-50 SME
	89-327-125-089	0E	C-TR, 2SC2712GR	C316	87-010-404-089	0E	CAP, E 4.7-50 SME
	89-112-965-089	0E	TR, 2SA1296GR	C317	87-010-197-089	0E	C-CAP, S 0.01-25 B
	87-026-608-089	0E	C-TR, DTC 123 JK<F>	C318	87-010-197-089	0E	C-CAP, S 0.01-25 B
	89-333-266-089	0E	C-TR, 2SC3326B	C401	87-010-405-089	0E	CAP, E 10-50 SME<G>
	87-026-580-089	0E	C-TR, DTA123JK	C402	87-010-314-089	0E	C-CAP, S 22P-50 CH<G, V3>
DIODE				C403	87-010-315-089	0E	C-CAP, S 27P-50 CH<G, V3>
	S1-305-700-283	1C	DIODE, DA115 (5EDQDD)<V2, V3>	C404	87-010-314-089	0E	C-CAP, S 22P-50 CH<G, V2>
	SA-P20-2UX-010	0E	DIODE, DAP202U (5EDQDD)<V2, V3>	C405	87-010-315-089	0E	C-CAP, S 27P-50 CH<G, V2>
	87-002-608-089	0E	DIODE, DSF10TC	C406	87-010-263-089	0E	CAP, E 100-10 SME<G>
	87-020-465-089	0E	DIODE, ISS133	C407	87-010-263-089	0E	CAP, E 100-10 SME<G>
MAIN VCD C.B				C408	87-010-196-089	0E	C-CAP, S 0.1-25 F<G>
	C101	87-012-140-089	0E	C409	87-010-196-089	0E	C-CAP, S 0.1-25 F<G>
	C102	87-010-194-089	0E	CN107	85-MAR-617-019	--	CABLE ASSY, 6P-1.25
	C103	87-010-178-089	0E	EM101	87-008-474-089	0E	F-BEAD, EMI BL02RN1
	C104	87-012-156-089	0E	EM102	87-008-474-089	0E	F-BEAD, EMI BL02RN1
	C105	87-010-263-089	0E	FC1	85-NFT-612-019	1B	FF-CABLE, 30P-1.0
	C106	87-010-196-089	0E	FC2	88-912-131-219	1A	FF-CABLE, 12P 1.25
	C107	87-010-314-089	0E	FC3	85-NF5-617-019	1A	CABLE, FFC 6P-1.25
	C108	87-010-314-089	0E	J101	87-009-502-019	1A	JACK, PIN 1FY EARTH
	C109	87-010-400-089	0E	L101	87-003-149-089	0E	COIL, 47UH
	C110	87-010-221-089	0E	L102	87-003-149-089	0E	COIL, 47UH
	C111	87-010-320-089	0E	L401	87-003-149-089	0E	COIL, 47UH<G>
	C113	87-010-260-089	0E	L402	87-003-149-089	0E	COIL, 47UH<G>
	C114	87-010-498-049	0E	M401	87-045-305-019	1E	MOTOR, RF-500TB
	C115	87-010-498-049	0E	SW201	87-036-109-019	0E	SW, PUSH SPPB 61
	C116	87-010-196-089	0E	SW202	87-036-109-019	0E	SW, PUSH SPPB 61
	C117	87-010-197-089	0E	X101	87-030-270-089	1C	VIB, XTAL 16.9344MHZ
	C118	87-010-555-049	0E	X201	89-MX1-704-089	1A	CERA LOCK (MU) 3.9MHZ
	C119	87-010-555-049	0E	X401	80-JUC-602-089	1C	VIB, XTAL 17.73MHZ<G, V3>
	C120	87-010-197-089	0E	X402	80-JUC-601-089	1C	VIB, XTAL 14.31MHZ<G, V2>
	C121	87-010-263-089	0E	CD MECHA C.B			
				C101	87-010-154-089	0E	C-CAP, S 10P-50 CH
				C102	87-010-184-089	0E	C-CAP, S 3300P-50 B
				C103	87-010-197-089	0E	C-CAP, S 0.01-25 B
				C104	87-010-193-089	0E	C-CAP, S 0.033-25 F
				C105	87-010-197-089	0E	C-CAP, S 0.01-25 B

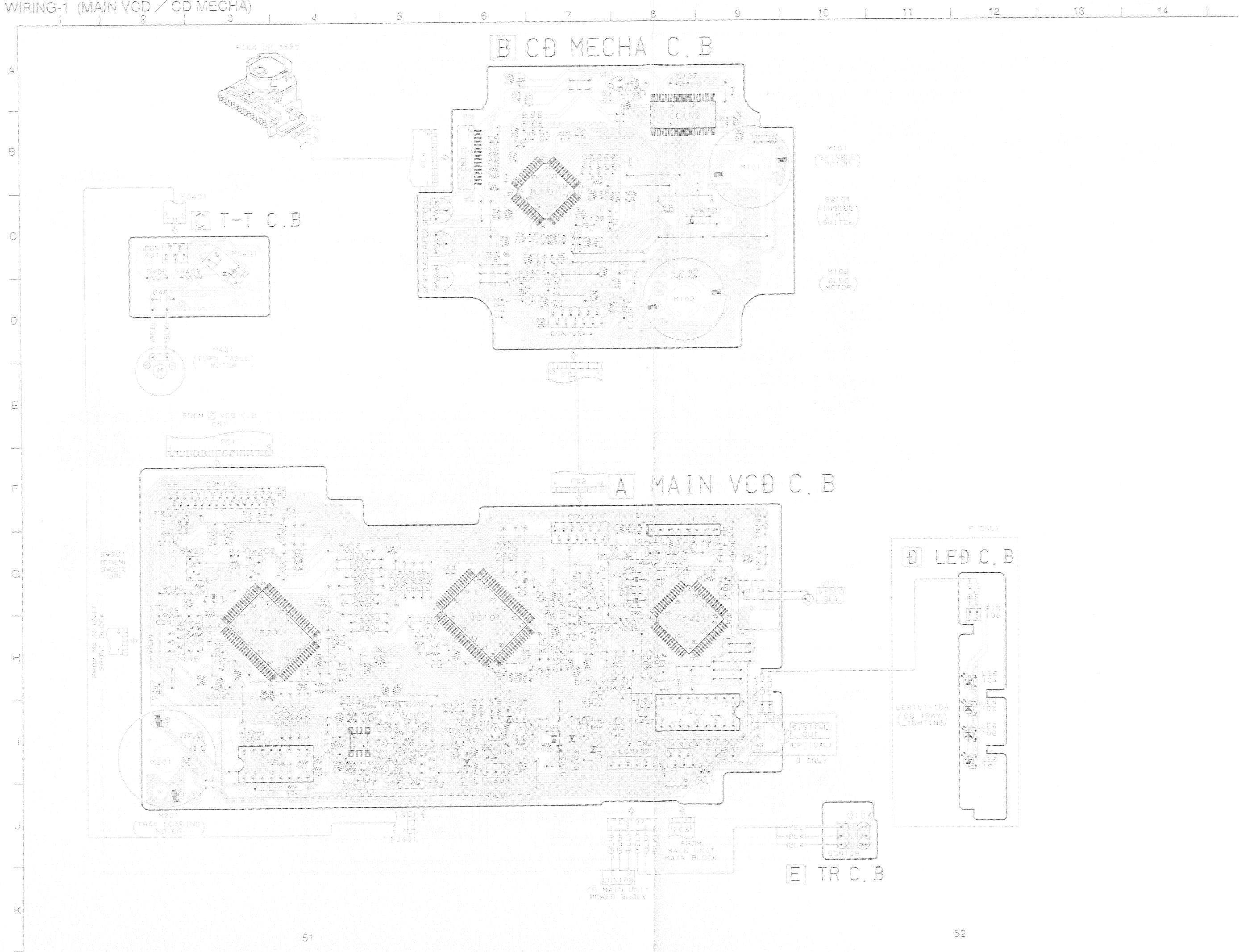
BLOCK DIAGRAM-1 (MAIN VCD / CD MECHA)



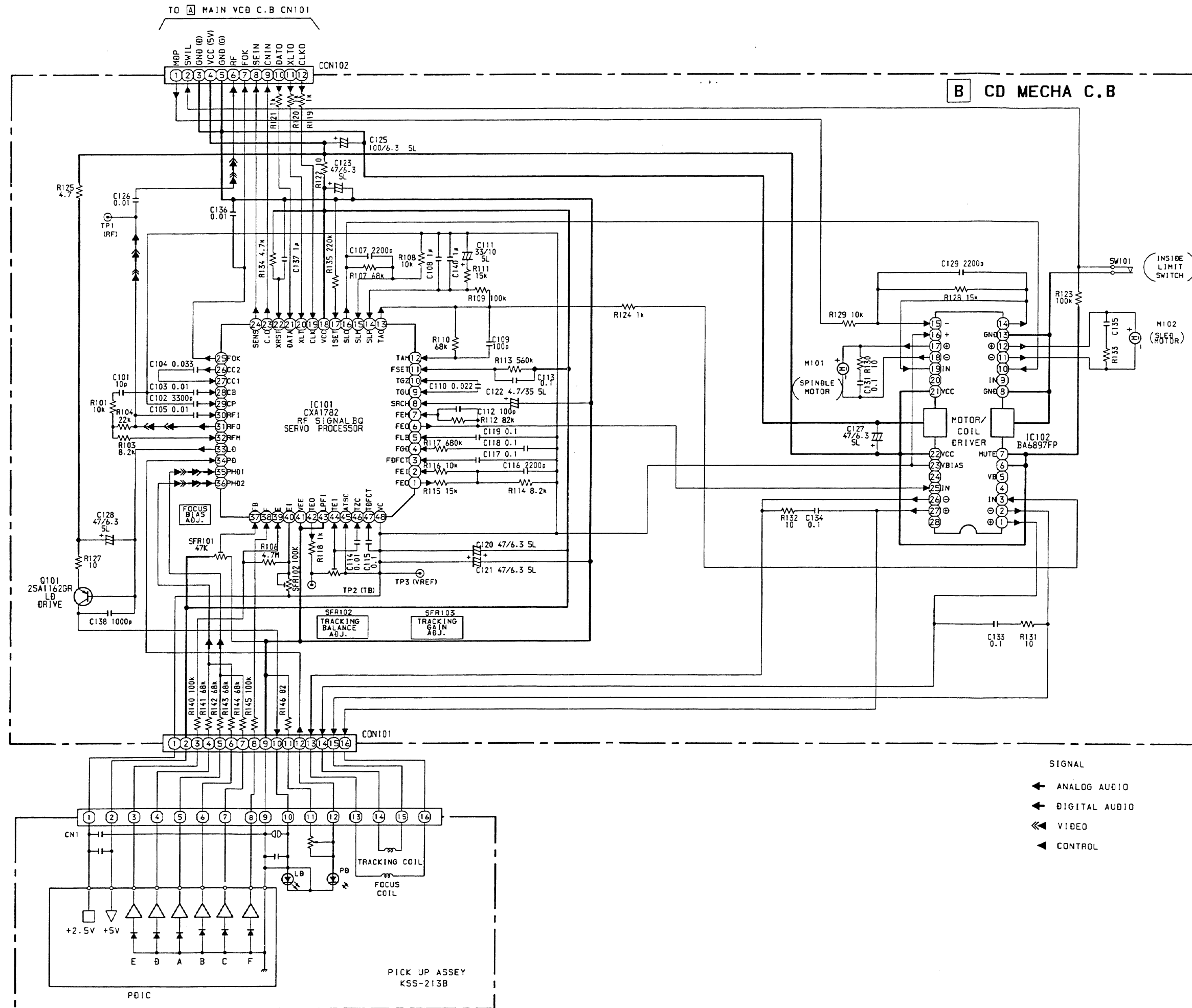


BLOCK DIAGRAM-2 (VCD)

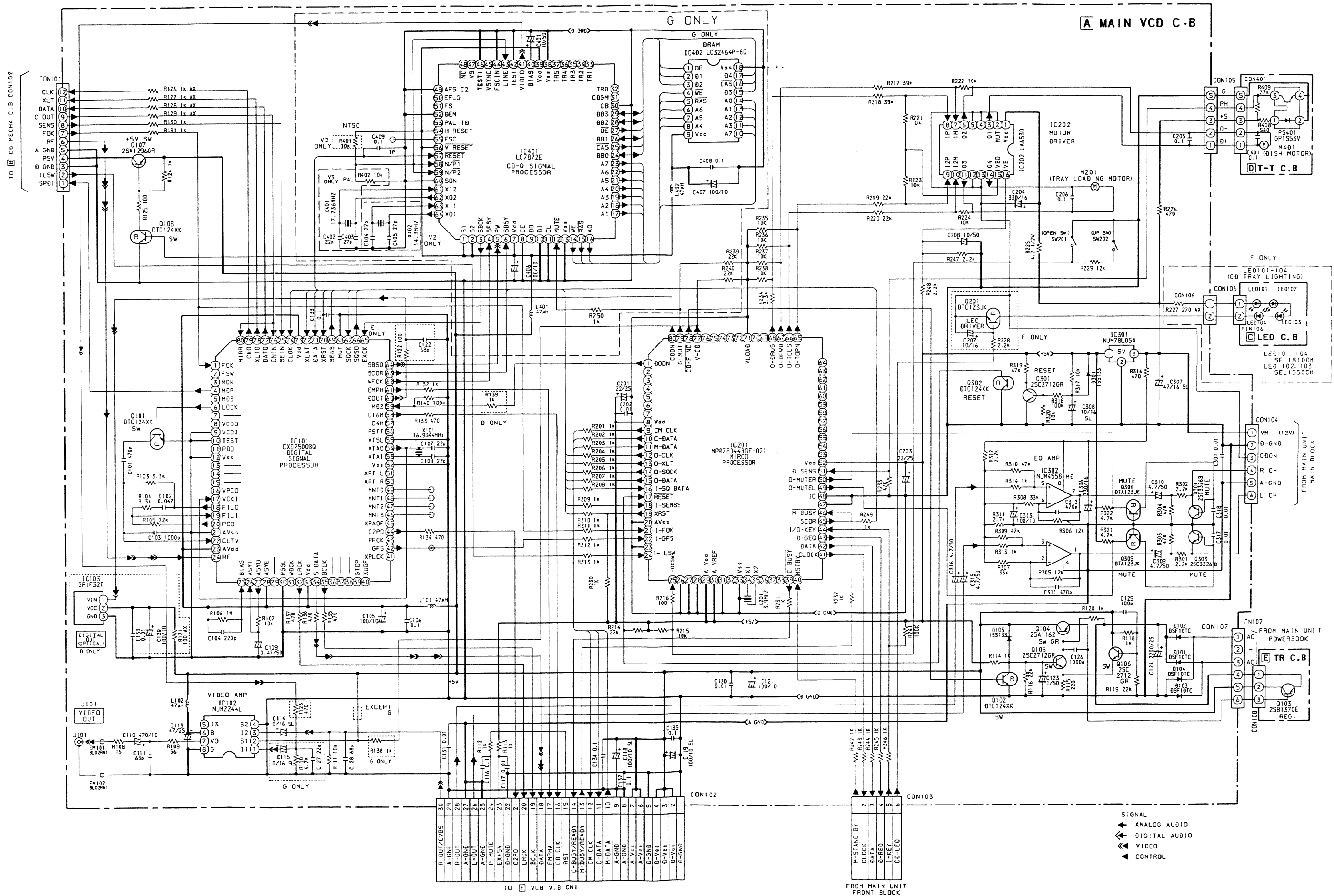




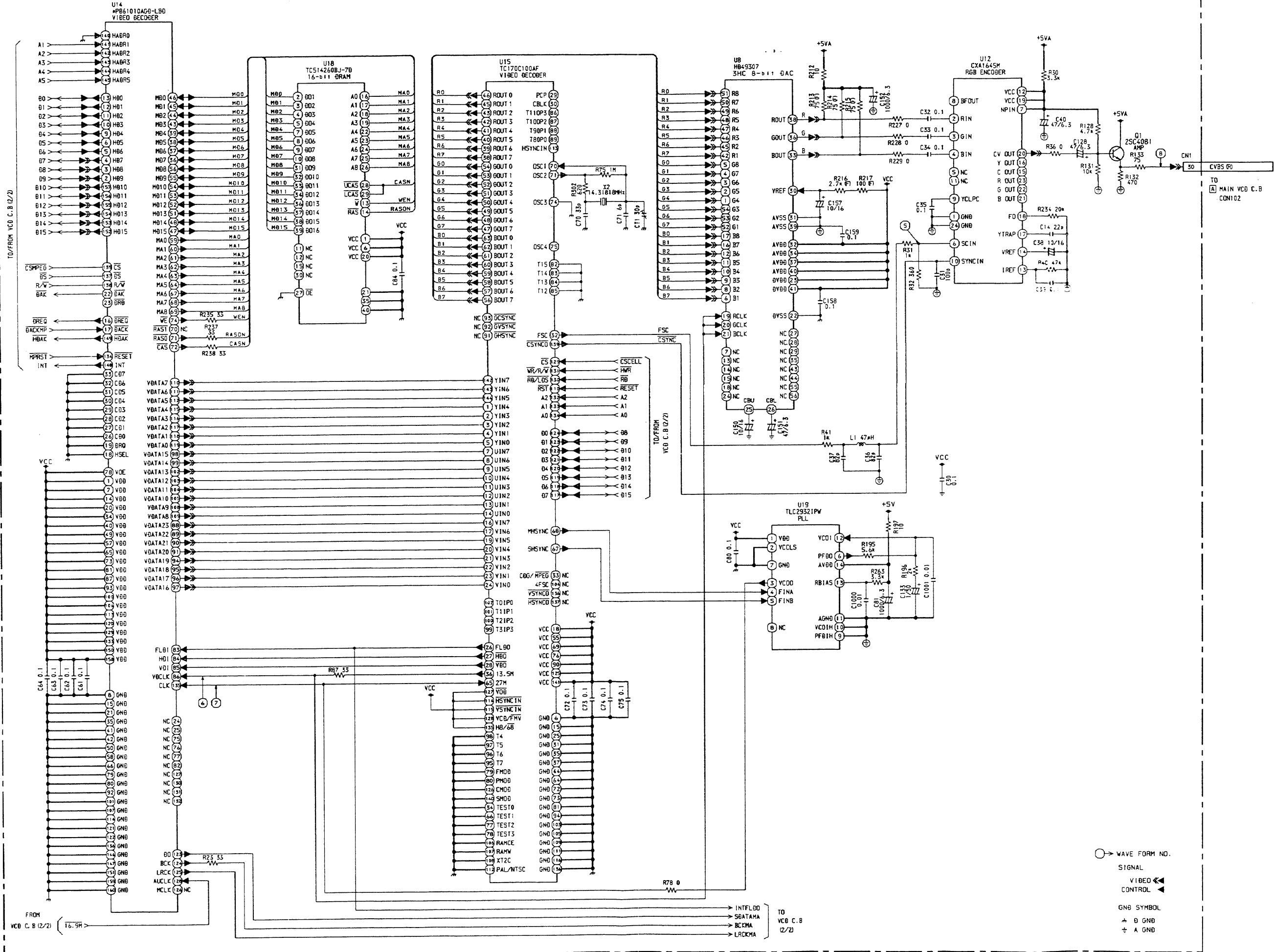
SCHEMATIC DIAGRAM-1 (CD MECHA)

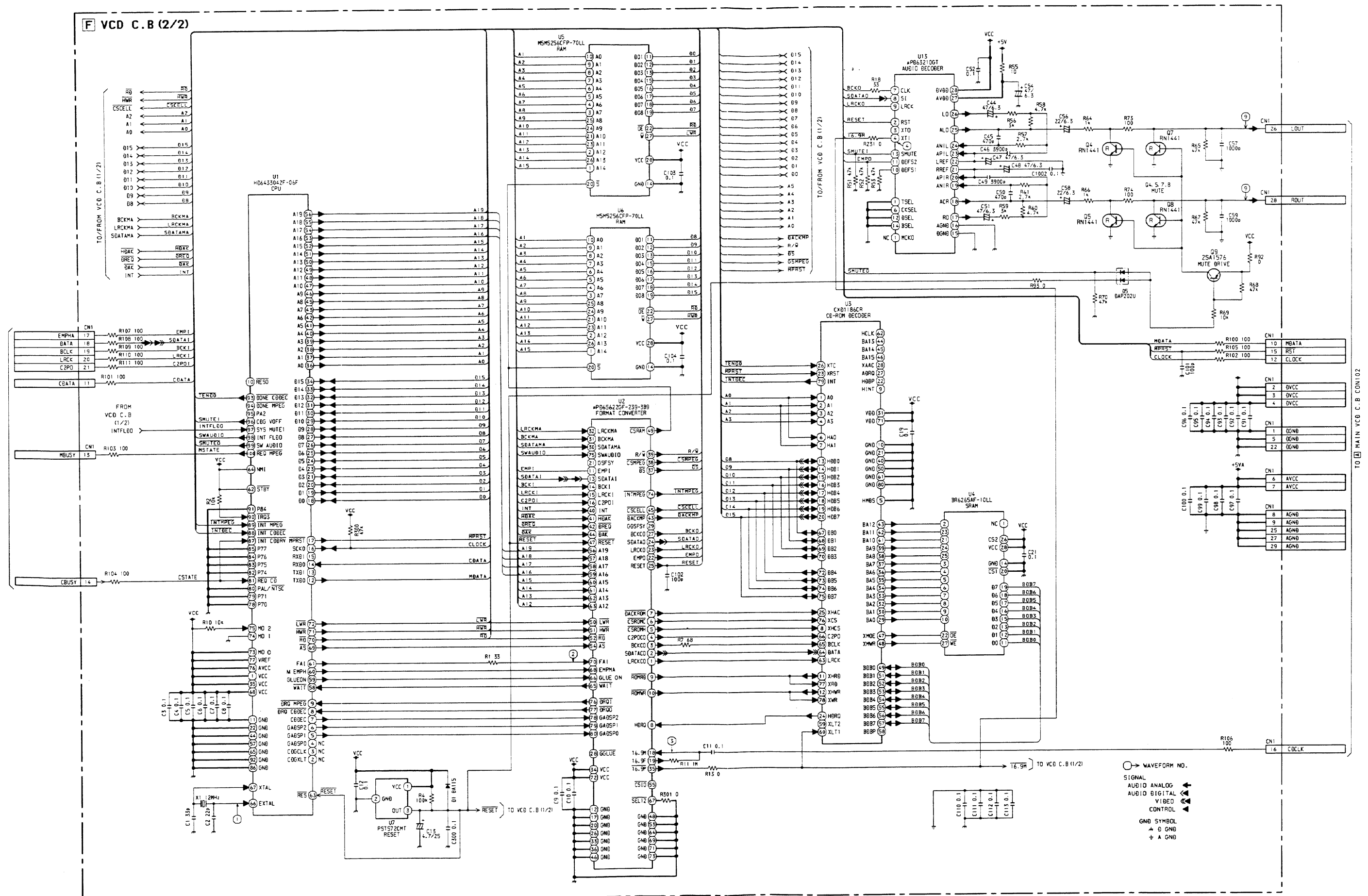


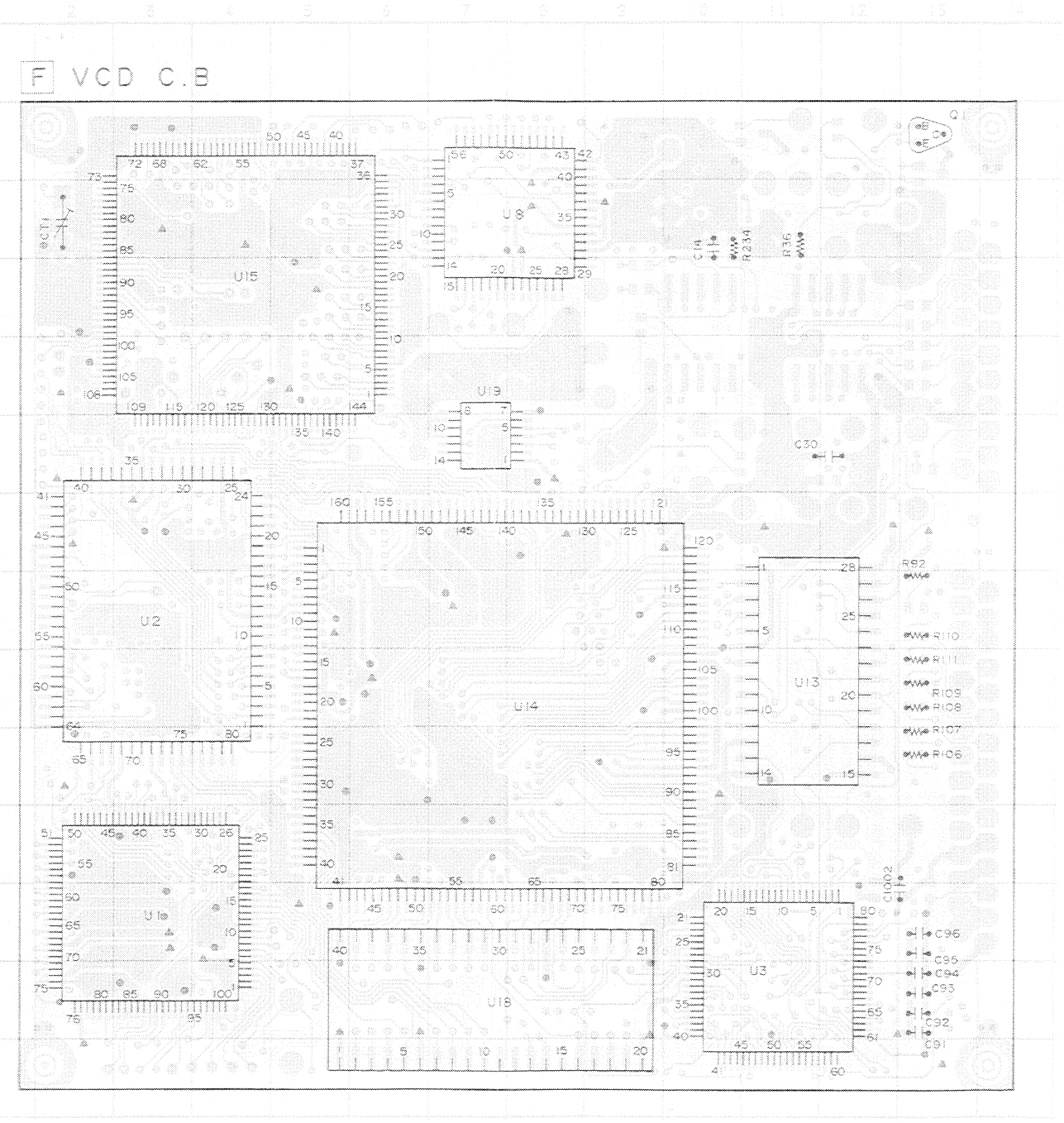
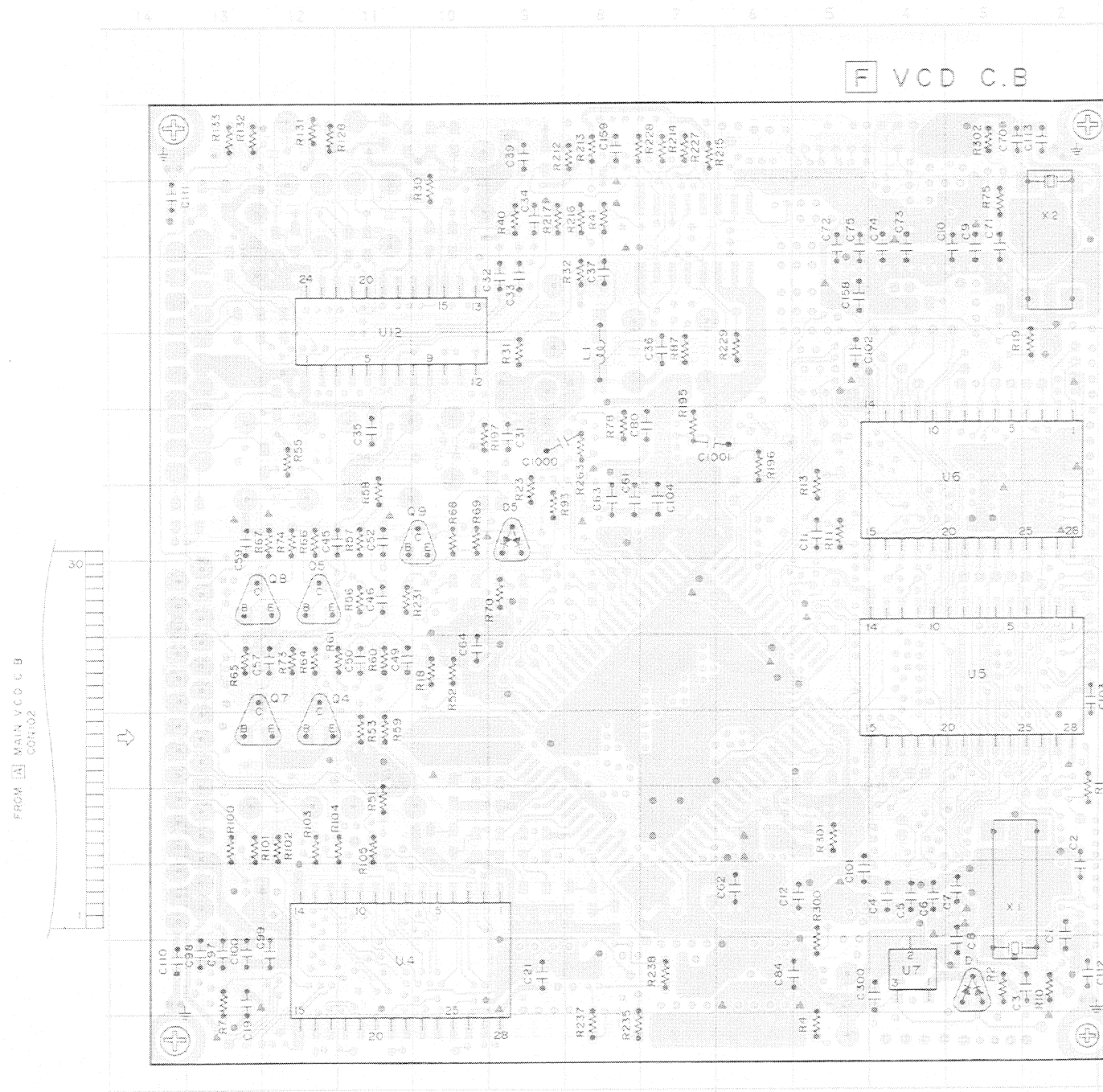
SCHEMATIC DIAGRAM-2 (MAIN VCD)



F VCD C-B (1/2)







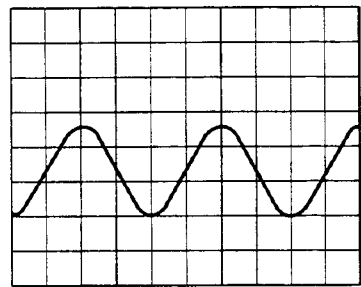
Through-Hole Note

SIGNAL	VCC	+5V	A GND	D GND

WAVE FORM

V2 (NTSC)

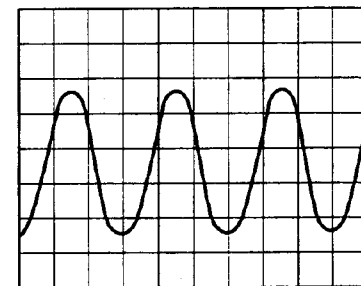
① U1 Pin ⑥ (EXTAL) VOLT/DIV: 1V
TIME/DIV: 20nS



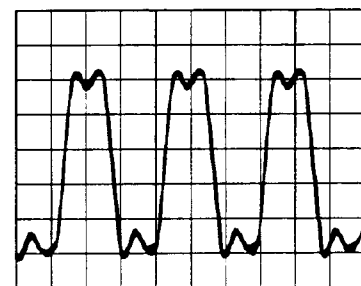
② U2 Pin ⑦ (FAI) VOLT/DIV: 1V
TIME/DIV: 20nS



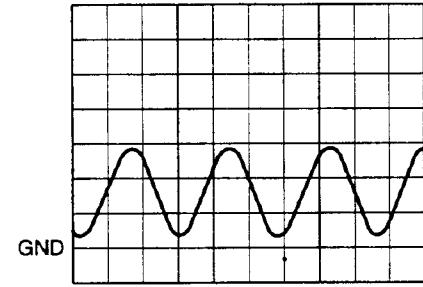
③ U2 Pin ⑩ (16.9M) VOLT/DIV: 1V
TIME/DIV: 20nS



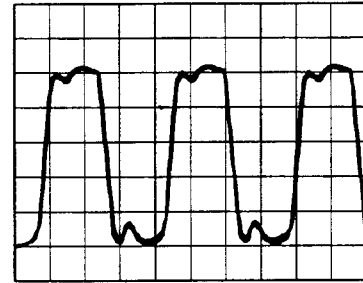
④ U13 Pin ④ (XTI) VOLT/DIV: 1V
TIME/DIV: 20nS



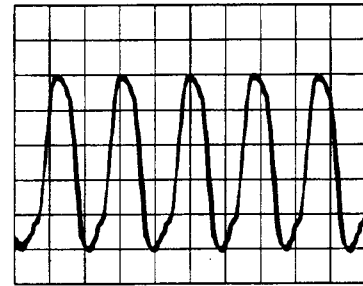
⑤ U12 Pin ⑥ (SC IN) VOLT/DIV: 1.0V
TIME/DIV: 0.1μS



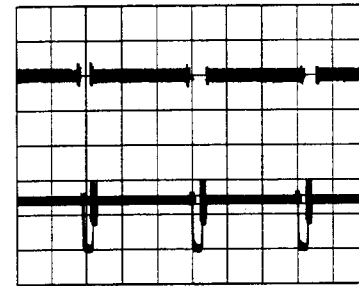
⑥ U14 Pin ⑥ (VD CLK) VOLT/DIV: 1V
TIME/DIV: 20nS



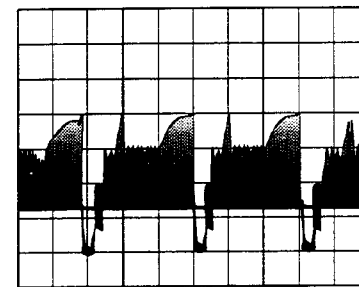
⑦ U14 Pin ⑬ (CLK) VOLT/DIV: 1V
TIME/DIV: 20nS



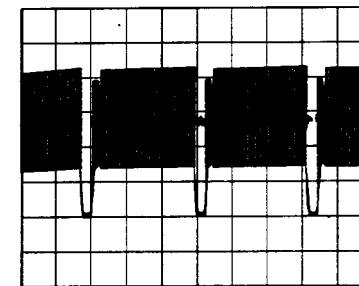
⑧ CN1 Pin ⑩ (CVBS R) VOLT/DIV: 200mV
WHITE TIME/DIV: 20μS



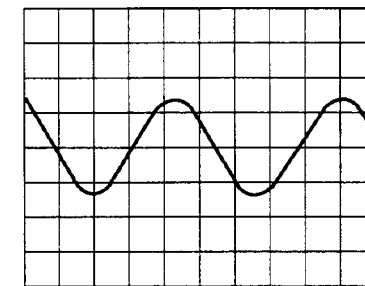
KARAOKE VOLT/DIV: 200mV
TIME/DIV: 20μS



BLUE VOLT/DIV: 100mV
TIME/DIV: 20μS



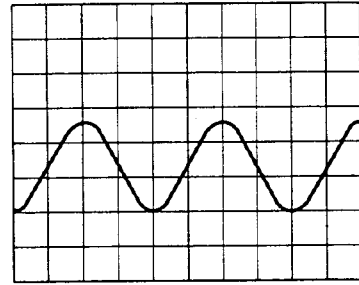
⑨ CN1 Pin ⑫ (L OUT) VOLT/DIV: 1.0V
CN1 Pin ⑬ (R OUT) TIME/DIV: 0.2mS
1kHz OUTPUT



WAVE FORM

V3 (PAL)

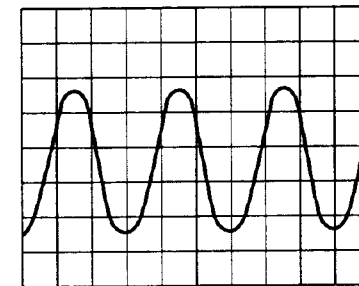
① U1 Pin 66 (EXTAL) VOLT/DIV: 1V
TIME/DIV: 20nS



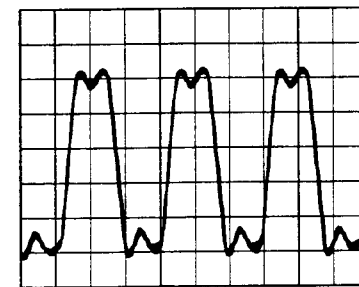
② U2 Pin 70 (FAI) VOLT/DIV: 1V
TIME/DIV: 20nS



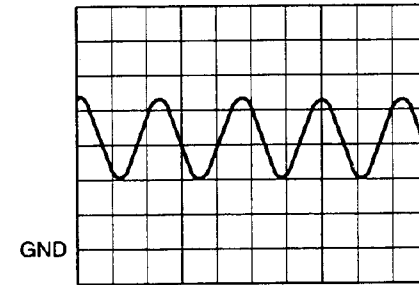
③ U2 Pin 18 (16.9M) VOLT/DIV: 1V
TIME/DIV: 20nS



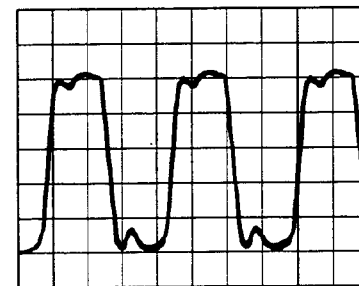
④ U13 Pin 4 (XTI) VOLT/DIV: 1V
TIME/DIV: 20nS



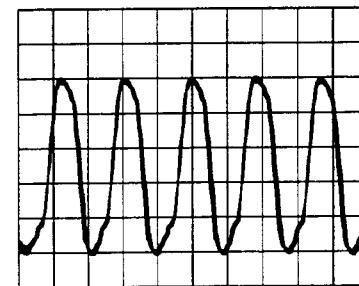
⑤ U12 Pin 6 (SC IN) VOLT/DIV: 1.0V
TIME/DIV: 0.1μS



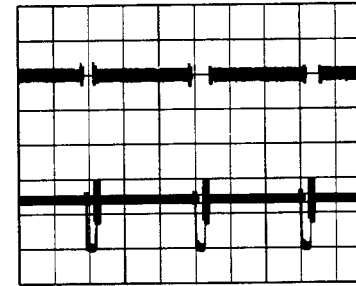
⑥ U14 Pin 88 (VD CLK) VOLT/DIV: 1V
TIME/DIV: 20nS



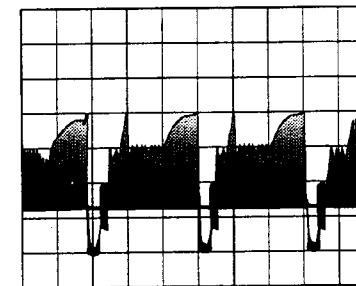
⑦ U14 Pin 135 (CLK) VOLT/DIV: 1V
TIME/DIV: 20nS



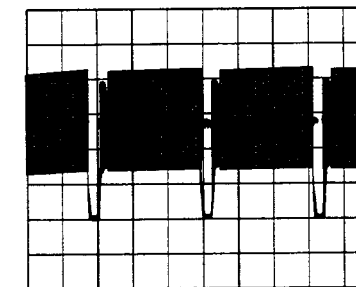
⑧ CN1 Pin 30 (CVBS R) VOLT/DIV: 200mV
WHITE TIME/DIV: 20μS



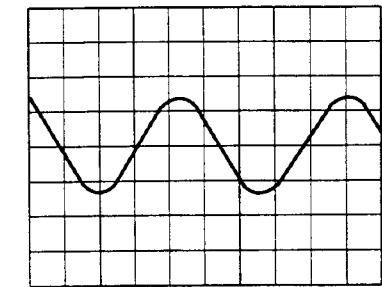
KARAOKE VOLT/DIV: 200mV
TIME/DIV: 20μS



BLUE VOLT/DIV: 100mV
TIME/DIV: 20μS

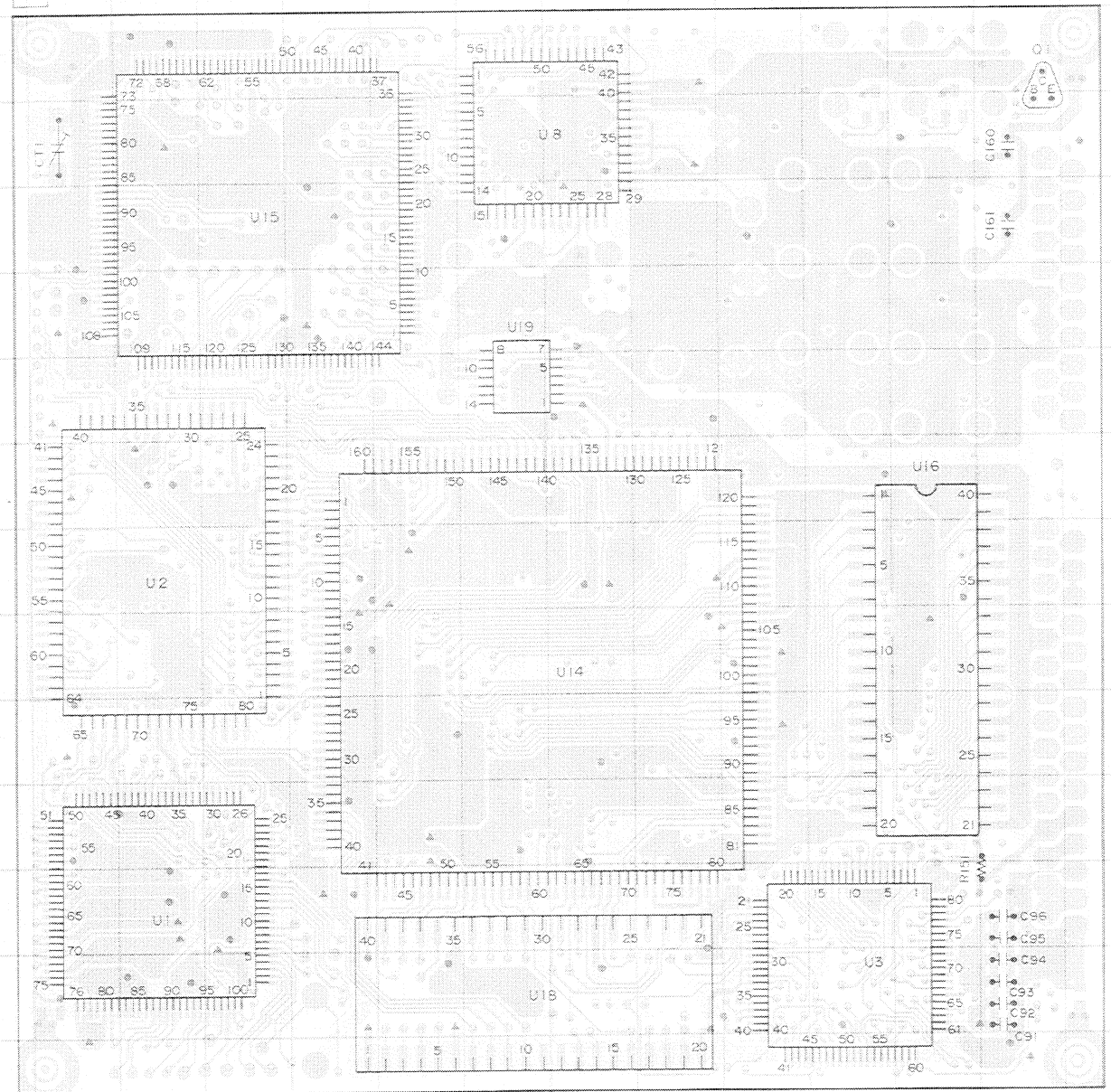
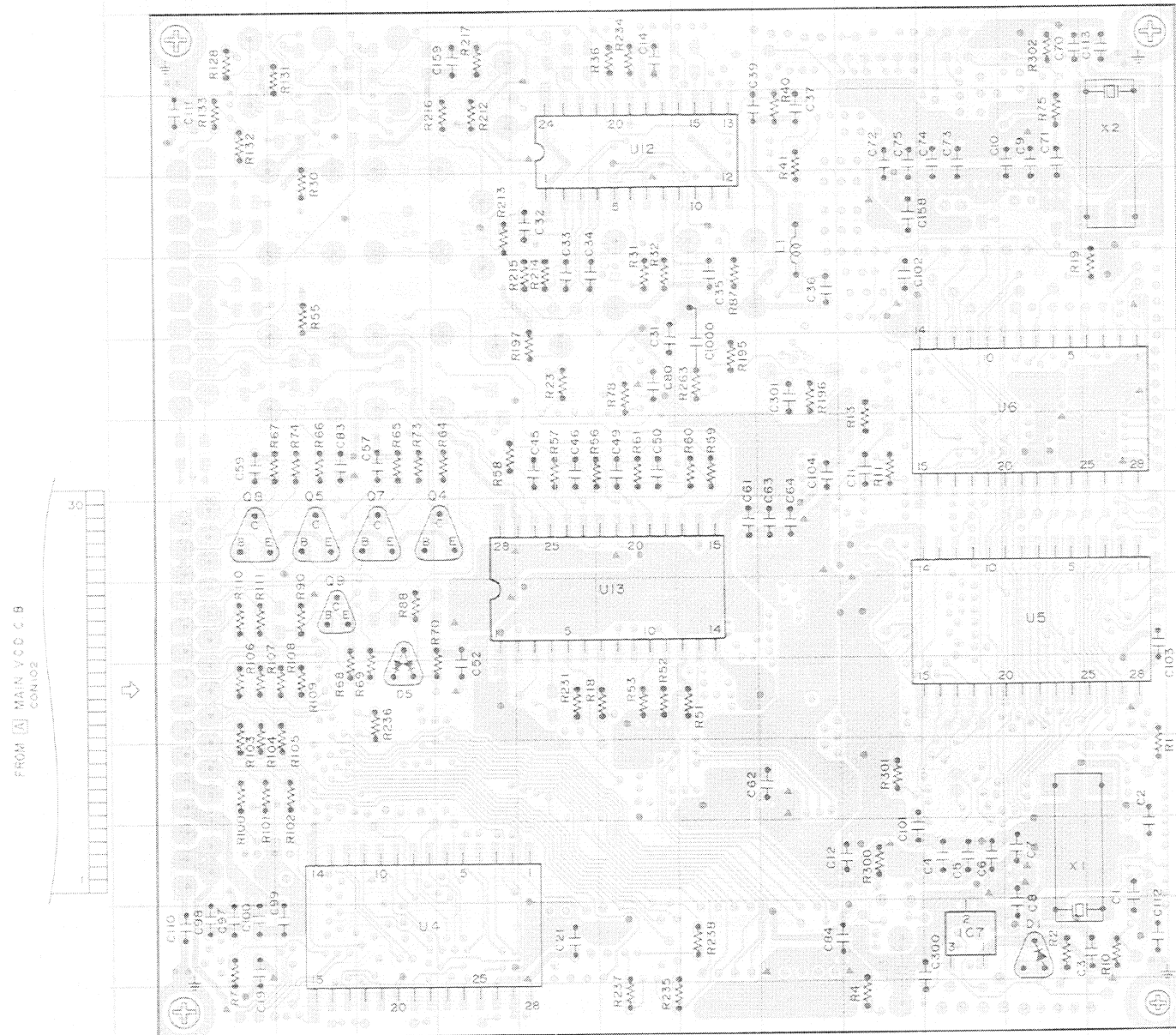


⑨ CN1 Pin 25 (L OUT) VOLT/DIV: 1.0V
CN1 Pin 26 (R OUT) TIME/DIV: 0.2mS
1kHz OUTPUT



F VCD C.B

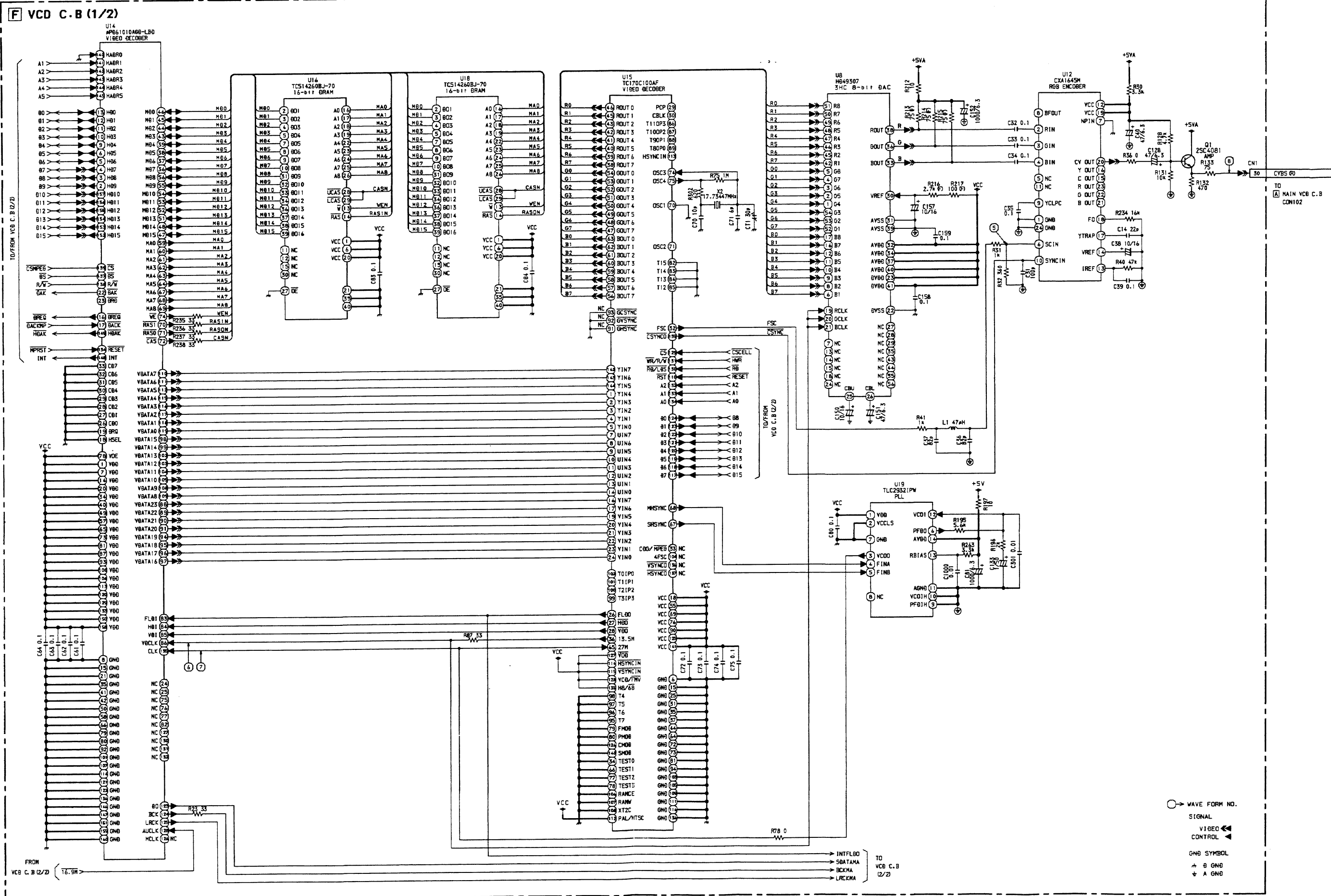
F VCD C.B



Through-Hole Note

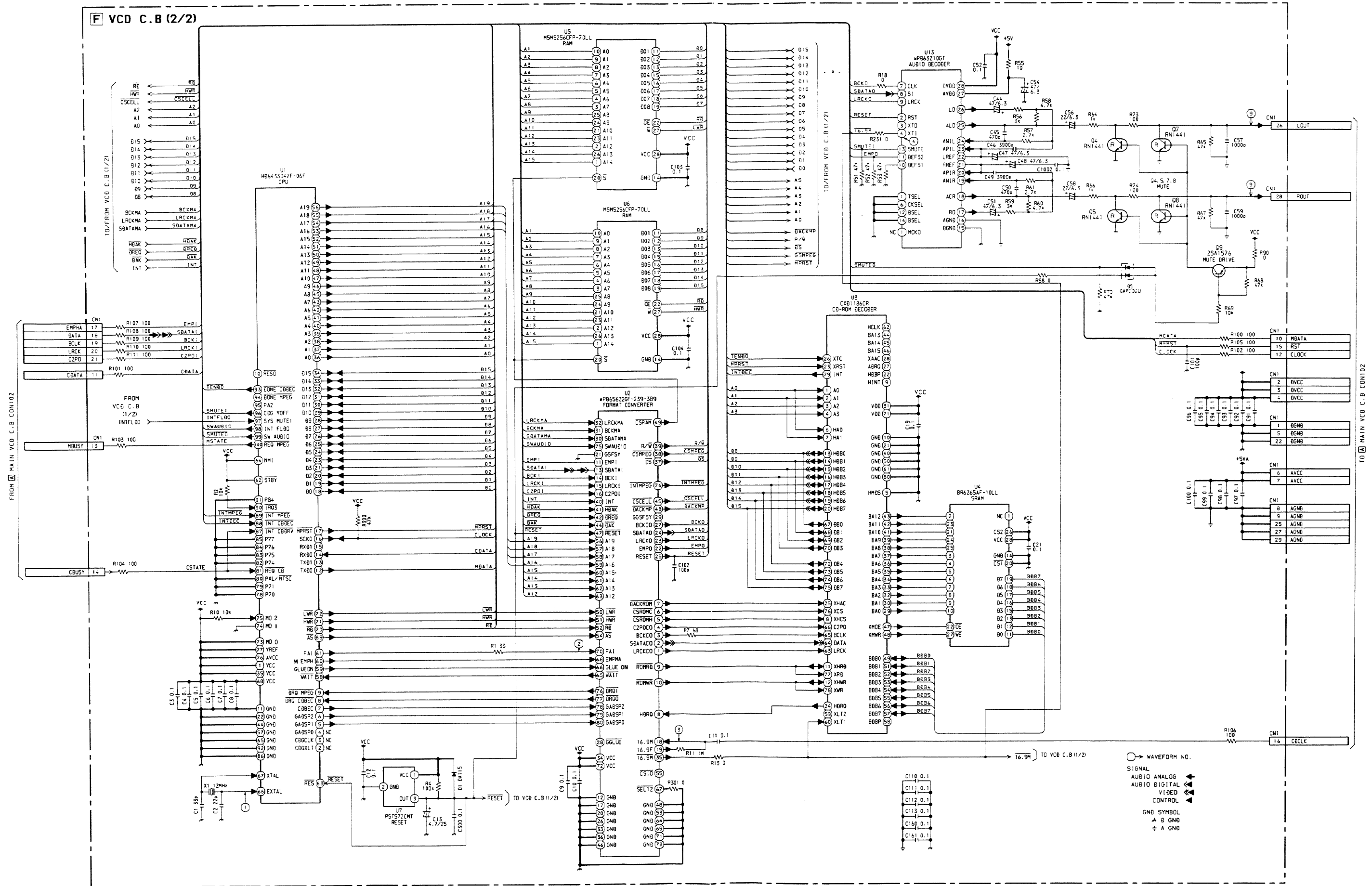
SIGNAL	VCC	+5V	A GND	D GND
○	▲	▲	●	●

SCHEMATIC DIAGRAM-5 (VCD 1/2 : V3)



WAVE FORM NO. SIGNAL VIDEO CONTROL GND SYMBOL TO B GND TO A GND

TO VCD C.B (1/2) MAIN VCD C.B CN102



IC DESCRIPTION

IC, CXD2500BQ

端子番号	端子名称	I/O	機能説明
1	FOK	I	フォーカス OK 入力端子。SENS 出力と、サーボ・オートシーケンサに用いる。
2	FSW	O	スピンドルモータの出力フィルタ切り換え出力。
3	MON	O	スピンドルモータの ON-OFF コントロール出力。
4	MDP	O	スピンドルモータのサーボ制御。
5	MDS	O	スピンドルモータのサーボ制御。
6	LOCK	O	GFS を、460Hz でサンプリングし、GFS が “H” の時 H 出力。8 回連続 “L” の場合 “L” 出力。
7	NC	—	未使用。
8	VCOO	O	アナログ EFM PLL 用発振回路出力。
9	VCOI	I	アナログ EFM PLL 用発振回路入力。fLOCK=8.6436MHz
10	TEST	I	TEST 用端子通常 GND。
11	PDO	O	アナログ EFM PLL 用チャージポンプ出力。
12	VSS	—	GND
13	NC	—	未使用。
14	NC	—	未使用。
15	NC	—	未使用。
16	VPCO	O	バリビッチ用 PLL チャージポンプ出力。
17	VCKI	I	バリビッチ用外付 VCO からの、クロック入力。fc center=16.9344MHz
18	FILO	O	マスター PLL 用 (スレーブ=デジタル PLL) フィルター出力。
19	FILI	I	マスター PLL 用フィルター入力。
20	PCO	O	マスター PLL 用チャージポンプ出力。
21	AVSS	—	アナログ GND。
22	CLTV	I	マスター用 VCO コントロール電圧入力。
23	AVDD	—	アナログ電源。(+3.5V)
24	RF	I	EFM 信号入力。
25	BIAS	I	アシンメトリー回路定電流入力。
26	ASYI	I	アシンメトリーコンパレート電圧入力。
27	ASYO	O	EFM フルスイング出力 (L=VSS, H=VDD)
28	ASYE	I	L: アシンメトリー回路 OFF H: アシンメトリー回路 ON。
29	NC	—	未使用。
30	PSSL	I	オーディオデータ出力モード切換入力。“L” でシリアル出力 “H” でパラレル出力。
31	WDCK	O	48 ビットスロット用 D/A インターフェース。ワードクロック f=2Fs
32	LRCK	O	48 ビットスロット用 D/A インターフェース。LR クロック f=Fs
33	VDD		電源 (+3.5V)。
34	S DATA	O	PSSL= “H” の時 DA16 (MSB) 出力。PSSL= “L” の時 48 ビットスロットのシリアルデータ。(2s' COMP, MSB ファースト)
35	BCLK	O	PSSL= “H” の時 DA15 出力。PSSL= “L” の時 48 ビットスロットのビットクロック。
36	NC	O	PSSL= “H” の時 DA14 出力。PSSL= “L” の時 64 ビットスロットのシリアルデータ。(2s' COMP, MSB ファースト)

端子番号	端子名称	I/O	機能説明
37	NC	O	PSSL= “H” の時 DA13 出力。PSSL= “L” の時 64 ビットスロットのビットクロック。
38	NC	O	PSSL= “H” の時 DA12 出力。PSSL= “L” の時 64 ビットスロットの LR クロック。
39	GTOP	O	PSSL= “H” の時 DA11 出力。PSSL= “L” の時 GTOP 出力。
40	XUGF	O	PSSL= “H” の時 DA10 出力。PSSL= “L” の時 XUGF 出力。
41	XPLCK	O	PSSL= “H” の時 DA09 出力。PSSL= “L” の時 XPLCK 出力。
42	GFS	O	PSSL= “H” の時 DA08 出力。PSSL= “L” の時 GFS 出力。
43	RFCK	O	PSSL= “H” の時 DA07 出力。PSSL= “L” の時 RFCK 出力。
44	C2PO	O	PSSL= “H” の時 DA06 出力。PSSL= “L” の時 C2PO 出力。
45	XRAOF	O	PSSL= “H” の時 DA05 出力。PSSL= “L” の時 XRAOF 出力。
46	MNT3	O	PSSL= “H” の時 DA04 出力。PSSL= “L” の時 MNT3 出力。
47	MNT2	O	PSSL= “H” の時 DA03 出力。PSSL= “L” の時 MNT2 出力。
48	MNT1	O	PSSL= “H” の時 DA02 出力。PSSL= “L” の時 MNT1 出力。
49	MNT0	O	PSSL= “H” の時 DA01 出力。PSSL= “L” の時 MNT0 出力。
50	APTR	O	アパーチャ補正用コントロール出力。Rch の時 “H”。
51	APTL	O	アパーチャ補正用コントロール出力。Lch の時 “H”。
52	VSS	—	GND
53	XTAI	I	16.9344MHz の Xtal 発振回路入力。又は 33.8688MHz 入力。
54	XTAO	O	16.9344MHz の Xtal 発振回路出力。
55	XTSL	I	Xtal 選択入力端子。Xtal が、16.9344MHz の時 “L”。33.8688MHz の時 “H” にする。
56	FSTT	O	53, 54 端子の、2/3 分周出力。バリビッチで変化しない。
57	C4M	O	4.2336MHz 出力。バリビッチされた時、同時に変化する。
58	C16M	O	16.2336MHz 出力。バリビッチされた時、同時に変化する。
59	MD2	I	Digital-Out ON/OFF コントロール、“H” で ON、“L” で OFF する。
60	DOUT	O	Digital-Out 出力端子。
61	EMPH	O	再生 Disc がエンファシス有りの時 “H” 出力。無しの時 “L” 出力。
62	WFCK	O	WFCK (Write Frame Clock) 出力。
63	SCOR	O	サブコードシンク S0 か S1 どちらか検出された時 “H” 出力。
64	SBSO	O	SubP~W のシリアル出力。
65	EXCK	I	SBSO リード・アウト用、クロック入力。
66	SQSO	O	SubQ 8bit 及び PCM ピーク、レベルデータ 16bit 出力。
67	SQCK	I	SQSO リード・アウト用、クロック入力。
68	MUTE	I	“H” でミュート。“L” で解除。
69	SENS	O	SENS 出力。CPU へ出力。
70	XRST	I	システムリセット。“L” でリセット。
71	DATA	I	CPU より、シリアルデータ入力。
72	XLAT	I	CPU より、ラッチ入力。立下がり、シリアルデータをラッチ。
73	VDD	—	電源 (+3.5V)
74	CLOK	I	CPU より、シリアルデータ転送クロック入力。
75	SEIN	I	SSP より、センサ入力。

端子番号	端子名称	I/O	機能説明
76	CNIN	I	トラックジャンプ数カウント信号入力。
77	DATO	O	SSPヘシリアルデータ出力。
78	XLTO	O	SSPヘシリアルデータラッチ出力。立下がりラッチ。
79	CLKO	O	SSPヘシリアルデータ転送クロック出力。
80	MIRR	I	ミラー信号入力。オートシーケンサで、128トラック以上のジャンプに使う。

IC, CXA1645M

端子番号	端子名称	I/O	機能説明
1	GND	—	GND端子です。
2	RIN	I	アナログRGB信号の入力端子です。
3	GIN		
4	BIN		
5	NC	—	未使用。
6	SCIN	I	サブキャリア入力端子です。
7	NPIN	I	NTSC、PALモードの切替え端子です。 NTSC:VCC PAL:GND
8	BFOUT	O	BFパルスのモニター用出力端子です。75Ω負荷は駆動できません。
9	YCLPC	—	Y信号クランプ時定数用端子です。
10	SYNCIN	I	コンポジットシンク信号の入力端子です。 TTLレベルで入力して下さい。 L ($\leq 0.8V$) 時: SYNC期間 H ($\geq 2.0V$)
11	NC	—	未使用。
12	VCC	—	電源端子です。
13	IREF	—	内部の基準電流を決める端子です。
14	VREF	—	内部の基準電圧端子です。
15	COUT	O	クロマ信号出力端子です。
16	YOUT	O	Y信号出力端子です。
17	YTRAP	I	Y信号に含まれるサブキャリア周波数成分によるクロスカラーを低減するための端子です。
18	FO	I	内部フィルターの f_0 調整用端子です。 NTSC/PALモードに応じて以下の抵抗をGND間に接続します。 NTSC: 20kΩ ($\pm 1\%$) PAL: 16kΩ ($\pm 1\%$)
19	VCC	—	電源端子です。
20	CVOUT	O	コンポジットビデオ信号の出力端子です。
21	BOUT	O	アナログRGB信号の出力端子です。
22	GOUT		
23	ROUT		
24	GND	—	GND端子です。

IC, μ PD78044BGF

端子番号	端子名称	I/O	機能説明
1	DO ON	O	デジタル出力 ON/OFF 出力。
2~7	NC	—	未使用。
8	VDD	—	PWR. +5V 電源。
9	CM CLK	I/O	MPEGシリアルクロック I/O。
10	C DATA	O	MPEGシリアルデータ出力。
11	M DATA	I	MPEGシリアルデータ入力。
12	O-CLK	O	DSPシリアルクロック出力。
13	O-XLT	O	DSPシリアルラッチ出力。
14	O-SQCLK	O	DSPサブQ読取クロック出力。
15	O-DATA	O	DSPシリアルデータ出力。
16	I-SQDATA	I	DSPサブQデータ入力。
17	RESET	I	システムリセット入力。
18	I-SENS	I	DSP SENS 入力。
19	XRST	O	CDシステムリセット出力。
20	AVSS	—	PWR. A/Dコンバータ入力のGND電位。
21	I-FOK	I	ASP FOK 入力。
22	I-GFS	I	DSP GFS 入力。
23	—	—	GNDに接続。
24	I-ILSW	I	ピックアップリミットスイッチ入力。
25	I-OCSW	I	トレイ OPEN/CLOSE スイッチ入力。
26~28	—	—	GNDに接続。
29	AVDD	—	PWR. A/Dコンバータ入力のアナログ電源。
30	AVREF	I	PWR. A/Dコンバータ入力の基準電圧入力。
31	—	—	GNDに接続。
32	NC	—	端子オープン。
33	VSS	—	PWR. GND電位。
34	X1	I	CLK. 4.19MHzクロック発振用端子。
35	X2	O	CLK. 4.19MHzクロック発振用端子。
36~38	NC	—	未使用。
39	C-BUSY	O	MPEGステータス出力。
40	MSTBY	I	メインマイコンステータス入力。
41	CLOCK	O	メインマイコンシリアルクロック出力。
42	DATA	O	メインマイコンシリアルデータ出力。
43	D-REQ	O	メインマイコンステータス出力。
44	I-KEY	I	メインマイコンシリアルデータ入力。
45	SCOR	I	DSP SCOR 入力。
46	M-BUSY	I	MPEGステータス信号入力。
47	—	—	GNDに接続。
48	IC	—	PWR. VSSに接続。
49	MUTE L	O	Lchアナログミュート出力。
50	MUTE R	O	Rchアナログミュート出力。

端子番号	端子名称	I/O	機能説明
51	DSENS	I	ターンテーブルセンサー入力。
52	VDD	—	PWR。+5V 電源。
53~64	NC	—	未使用。
65	O-TOPN	O	トレー OPEN 出力。
66	O-CLS	O	トレー CLOSE 出力。
67	O-DFWD	O	ターンテーブル正回転出力。
68	O-DRVS	O	ターンテーブル逆回転出力。
69、70	NC	—	未使用。
71	VLOAD	—	PWR。FL ブルダウン用電源 - 27V。
72~76	NC	—	未使用。
77	VCD	O	VIDEO CD 切換出力。
78	$\overline{\text{CD FUNC}}$	O	CD ファンクション切換出力。
79	G-MUT	O	CDG ミュート出力。
80	CD ON	O	CD サーボ系電源 ON/OFF 出力。

IC, CXD1186CR

端子番号	端子名称	I/O	機能説明
1~4	A0~A3	I	CPU アドレス信号。
5	HMSD	I	ホストモードセレクト信号。
6、7	HA0、HA1	I	ホストアドレス信号。
8	XHCS	I	ホストからのチップセレクト負論理信号。
9	HINT	O	ホストへの割り込み要求負論理信号。
10	GND	—	接地端子。
11	XHRD	I/O	ホストから、あるいは SCSI コントロール IC へのデータ読み出しストロブ信号。
12	XHWR	I/O	ホストから、あるいは SCSI コントロール IC へのデータ書き込みストロブ信号。
13~20	HDB0~HDB7	I/O	ホストデータバス。
21	GND	—	接地端子。
22	HDBP	I/O	エラーフラグ・ホストデータバス。
23	XRST	I	リセット負論理信号。
24	HDRQ	O	ホストへのデータリクエスト正論理信号。あるいは SCSI コントロール IC への DMA アクノリッジ負論理信号。
25	XHAC	I	ホストからの DMA アクノリッジ負論理信号。あるいは、SCSI コントロールからのデータリクエスト正論理信号。
26	XTC	I	ターミナルカウント負論理信号。
27	ADRQ	I	ADP からの DMA リクエスト正論理信号。
28	XAAC	O	ADP への DMA アクノリッジ負論理信号。
29、30	BA0、BA1	O	バッファメモリアドレス。
31	VDD	—	電源 (+5V) 供給端子。
32~39	BA2~BA9	O	バッファメモリアドレス。
40	GND	—	接地端子。
41~46	BA10~BA15	O	バッファメモリアドレス。
47	XMOE	O	バッファメモリアウトプットイネーブル負論理信号。
48	XMWR	O	バッファメモリアイト負論理信号。
49	BDB0	I/O	バッファメモリアータバス。
50	GND	—	接地端子。
51~57	BDB1~BDB7	I/O	バッファメモリアータバス。
58	BDBP	I/O	バッファメモリアインタータバス。
59	XTL2	O	X' TAL 発振回路出力端子。
60	XTL1	I	X' TAL 発振入力端子。
61	GND	—	接地端子。
62	HCLK	O	XTL1 の 1/2 分周クロック信号。
63	LRCK	I	CD プレーヤーからの LR クロック。
64	DATA	I	CD プレーヤーからのシリアルデータ。
65	BCLK	I	CD プレーヤーからのビットクロック。
66	C2P0	I	CD プレーヤーからの C2 ポインタ。
67~70	DB0~DB3	I/O	CPU データバス。
71	VDD	—	電源 (+5V) 供給端子。
72~75	DB4~DB7	I/O	CPU データバス。

端子番号	端子名称	I/O	機能説明
76	XCS	I	CPUからのチップセレクト負論理信号。
77	XRD	I	CPUの本IC内部レジスタ読みだしストロブ負論理信号。
78	XWR	I	CPUの本IC内部レジスタ書き込みストロブ負論理信号。
79	INT	O	CPUに対する割り込み要求信号。
80	GND	—	接地端子。

IC, TLC29321PW

端子番号	端子名称	I/O	機能説明
1	VDD	—	内部ロジック回路の電源電圧供給端子。
2	VCOLS	I	VCOの出力周波数1/2デバイダ・セレクト端子。この端子を外部ロジックよりコントロールすることにより、VCOの出力周波数を1/2分周して出力することができる。
3	VCOO	O	VCO出力端子。インヒビット時は“L”レベルとなる。
4、5	FIN-A、FIN-B	I	基準周波数（fREF-IN）と外部カウンタからの周波数のエッジ差検出のための2入力端子。通常、fREF-INをFIN-A端子に入力し、外部カウンタからの分周、逡倍された周波数をFIN-B端子に入力する。
6	PFDO	O	PFD出力端子。
7	GND	—	内部ロジック回路のグランド端子。
8	NC	—	内部未接続端子。
9	PFDIH	I	PFDインヒビット機能コントロール端子。
10	VCOIH	I	VCOインヒビット機能コントロール端子。
11	A GND	—	VCOグランド端子。
12	VCOI	I	VCOコントロール電圧入力端子。通常、PLLでは外部で構成されるLPFからVCO発振制御電圧を入力する。
13	RBIAS	I	VCO発振周波数設定用バイアス抵抗接続端子。内部VCOの発振動作のためのバイアス供給と、発振周波数の設定・調整用に、この端子と電源ライン間にバイアス抵抗を接触する。
14	A VDD	—	VCOの電源電圧供給端子。

IC, HD49307

端子番号	端子名称	I/O	機能説明
1~5	G4~G8	I	デジタル入力端子。
6	B1	—	無接続端子。
7	NC	I	デジタル入力端子。
8~12	B2~B6	I	デジタル入力端子。
13~15	NC	—	無接続端子。
16, 17	B7, B8	I	デジタル入力端子。
18	NC	—	無接続端子。
19	RCLK	I	Rch クロック入力。
20	GCLK	I	Gch クロック入力。
21	BCLK	I	Bch クロック入力。
22	DVSS	—	デジタル接地。
23	DVDD	—	デジタル電源。
24	NC	—	無接続端子。
25	CBU	—	位相補償容量接続端子。
26	CBL	—	バイパスコンデンサ接続端子。
27~29	NC	—	無接続端子。
30	VRREF	I	基準電圧入力端子。
31	AVSS	—	アナログ接地。
32	AVDD	—	アナログ電源。
33	BOUT	O	Bch アナログ信号出力端子。
34	AVDD	—	アナログ電源。
35	NC	—	無接続端子。
36	GOUT	O	Gch アナログ信号出力端子。
37	AVDD	—	アナログ電源。
38	ROUT	O	Rch アナログ信号出力端子。
39	AVSS	—	アナログ接地。
40	AVDD	—	アナログ電源。
41	DVDD	—	デジタル電源。
42	R1	I	デジタル入力端子。
43, 44	NC	—	無接続端子。
45~51	R2~R8	I	デジタル入力端子。
52~54	G1~G3	I	デジタル入力端子。
55, 56	NC	—	無接続端子。

IC, μ PD61010

端子番号	端子名称	I/O	機能説明
1	VDD	—	+ 5V 電源。
2~6	HD9~5	I/O	ホストデータバス。
7	VDD	—	+ 5V 電源。
8	GND	—	GND 端子。
9~13	HD4~0	I/O	ホストデータバス。
14	VDD	—	+ 5V 電源。
15	GND	—	GND 端子。
16	$\overline{\text{DREQ}}$	O	DMA リクエスト信号。
17	$\overline{\text{DACK}}$	I	DMA アクノリッジ信号。
18	HSEL	I	ホスト CPU アクセス方法の選択信号。
19	DRQ	I	CD-ROM デコーダからのビットストリーム入力用データ入力リクエスト。
20	VDD	—	+ 5V 電源。
21	GND	—	GND 端子。
22	$\overline{\text{DAK}}$	O	CD-ROM デコーダからのビットストリーム入力用データ入力応答。また、符号入力用の DMA リクエスト信号。
23	$\overline{\text{DRD}}$	O	ビットストリーム入力許可信号。
24、25	NC	—	未使用。
26~33	CD0~7	I	CD-ROM デコーダからのビットストリーム入力用データバス。
34	VDD	—	+ 5V 電源。
35	GND	—	GND 端子。
36~39	MD7~4	I/O	DRAM データバス
40	VDD	—	+ 5V 電源。
41、42	GND	—	GND 端子。
43~46	MD3~0	I/O	DRAM データバス
47、48	MD15、14	I/O	DRAM データバス
49	VDD	—	+ 5V 電源。
50	GND	—	GND 端子。
51~56	MD13~8	I/O	DRAM データバス
57	VDD	—	+ 5V 電源。
58	GND	—	GND 端子。
59~64	MA0~5	O	DRAM アドレスバス
65	VDD	—	+ 5V 電源。
66	GND	—	GND 端子。
67~69	MA6~8	O	DRAM アドレスバス。
70	$\overline{\text{RAS 1}}$	O	DRAM RAS 信号。
71	$\overline{\text{RAS 0}}$	O	DRAM RAS 信号。
72	$\overline{\text{CAS}}$	O	DRAM CAS 信号。
73	VDD	—	+ 5V 電源。
74	$\overline{\text{WE}}$	O	DRAM へのライトイネーブル。
75~77	NC	—	未使用
78	VOE	I	ビデオデータ出力イネーブル。

端子番号	端子名称	I/O	機能説明
79、80	GND	—	GND 端子。
81	VDD	—	+ 5V 電源。
82	NC	—	未使用。
83	FLDI	I	フィールド信号 (odd/even)。
84	HDI	I	水平同期信号。
85	VDI	I	垂直同期信号。
86	VDCLK	I	ビデオデータ出力クロック (13.5MHz)。
87	VDD	—	+ 5V 電源。
88~91	VDATA23~20	O	ビデオデータ出力バス。
92	GND	—	GND 端子。
93	VDD	—	+ 5V 電源。
94~97	VDATA19~16	O	ビデオデータ出力バス。
98、99	VDATA15、14	O	ビデオデータ出力バス。
100	VDD	—	+ 5V 電源。
101	GND	—	GND 端子。
102~105	VDATA13~10	O	ビデオデータ出力バス。
106	VDD	—	+ 5V 電源。
107	GND	—	GND 端子。
108~112	VDATA9~5	O	ビデオデータ出力バス。
113	VDD	—	+ 5V 電源。
114	GND	—	GND 端子。
115~119	VDATA4~0	O	ビデオデータ出力バス。
120	VDD	—	+ 5V 電源。
121、122	GND	—	GND 端子。
123	DO	O	オーディオデータ出力バス。
124	BCK	O	オーディオデータ出力クロック。
125	LRCK	O	L/R チャンネル識別信号。
126	MCLK	O	オーディオマスタクロック。
127	NC	—	未使用。
128	AUCLK	I	内部オーディオデコーダのシステムクロック。
129	VDD	—	+ 5V 電源。
130~132	NC	—	未使用。
133	VDD	—	+ 5V 電源。
134	RESET	I	リセット信号。
135	CLK	I	システムクロック (27MHz)。
136	GND	—	GND 端子。
137	\overline{DS}	I	データストロープ信号。
138	R/ \overline{W}	I	リード/ライトの選択用。
139	CS	I	チップセレクト。
140~145	HADR0~5	I	ホストアドレスバス。
146、147	GND	—	GND 端子。

端子番号	端子名称	I/O	機能説明
148	INT	O	割り込み信号。
149	HDAK	O	バスサイクル応答信号。
150	VDD	—	+5V 電源。
151	GND	—	GND 端子。
152~157	HD15~10	I/O	ホストデータバス。
158	VDD	—	+5V 電源。
159、160	GND	—	GND 端子。

IC, μ PD63210GT

端子番号	端子名称	I/O	機能説明
1	TSEL	I	テスト選択入力。
2	RST	I	リセット入力。
3	XTO	O	発振用水晶接続。
4	XTI	I	発振用水晶接続。
5	MCKO	O	マスタ・クロック出力。
6	CKSEL	I	クロック選択入力。
7	CLK	I	ビット・クロック入力。
8	SI	I	データ入力。
9	LRCK	I	LRクロック入力。
10	DEFS1	I	ディエンファシス切り替え入力1。
11	DEFS2	I	ディエンファシス切り替え入力2。
12	DSEL	I	倍速再生切り替え入力。
13	SMUTE	I	ソフト・ミュート切り替え入力。
14	BSEL	I	データ・ビット長選択入力。
15	DGND	—	デジタル・グラウンド。
16	AGND	—	アナログ・グラウンド。
17	RO	O	D/A コンバータ出力 (Rチャネル)。
18	AOR	O	フィルタ・アンプ出力 (Rチャネル)。
19	ANIR	I	フィルタ・アンプ-側入力 (Rチャネル)。
20	APIR	I	フィルタ・アンプ+側入力 (Rチャネル)。
21	RREF	—	リファレンス (Rチャネル)。
22	LREF	—	リファレンス (Lチャネル)。
23	APIL	I	フィルタ・アンプ+側入力 (Lチャネル)。
24	ANIL	I	フィルタ・アンプ-側入力 (Lチャネル)。
25	AOL	O	フィルタ・アンプ出力 (Lチャネル)。
26	LO	O	D/A コンバータ出力 (Lチャネル)。
27	AVDD	—	アナログ電源。
28	DVDD	—	デジタル電源。

IC, TC170C100AF

端子番号	端子名称	I/O	機能説明
1~5	YIN4~0	I	MPEG CHIPからのY信号。
6	GND	—	GND端子。
7~14	UIN7~0	I	MPEG CHIPからのU信号。
15	GND	—	GND端子。
16、17	VIN7、6	I	MPEG CHIPからのV信号。
18	VCC	—	電源端子。
19~24	VIN5~0	I	MPEG CHIPからのV信号。
25	GND	—	GND端子。
26	FLDO	O	フィールドのODD/EVEN出力。
27	$\overline{\text{HDO}}$	O	MPEG CHIPへの $\overline{\text{HSYNC}}$ 信号。
28	$\overline{\text{VDO}}$	O	MPEG CHIPへの $\overline{\text{VSYNC}}$ 信号。
29	PCP	O	クランプ信号出力。
30	CBLK	O	ブランク信号出力。(DACの種類により使用)
31	GND	—	GND端子。
32	FSC	O	サブキャリア出力。(NTSC: 14.31818MHz、PAL: 17.734475MHzの4分周)
33	$\overline{\text{CDG/MPEG}}$	O	外部RGBビデオセレクターへのCD-G/MPEG PLAY切り替え信号。
34	TEST0	I	動作モード設定端子。
35	GND	—	GND端子。
36	13.5M	O	13.5MHz出力。
37	GND	—	GND端子。
38~43	R OUT7~2	O	Y/R信号出力。(出力形式は、Y/R切り替え可能)
44	GND	—	GND端子。
45、46	R OUT1、0	O	Y/R信号出力。(出力形式は、Y/R切り替え可能)
47~54	G OUT7~0	O	U/G信号出力。(出力形式は、U/G切り替え可能)
55	VCC	—	電源端子。
56~63	B OUT7~0	O	V/B信号出力。(出力形式は、V/B切り替え可能)
64	GND	—	GND端子。
65	27M	I	27MHz出力。
66	TEST1	I	動作モード設定端子。
67	SHSYNC	O	PLL同期CLK比較クロック。
68	MHSYNC	O	PLL同期CLKリファレンスクロック。
69	VCC	—	電源端子。
70	OSC1	I	NTSC対応時の14.31818MHzの入力ポート。(水晶発振)
71	OSC2	O	NTSC: 14.31818MHzの水晶発振出力側端子。
72、73	GND	—	GND端子。
74	OSC3	I	PAL対応時の17.734475MHzの入力ポート。(水晶発振)
75	OSC4	O	PAL: 17.734475MHzの水晶発振出力側端子。
76	VCC	—	電源端子。
77、78	TEST2、3	I	動作モード設定端子。
79	FMOD	I	FLDO出力のHL反転の切り替え信号。
80	PMOD	I	PCP出力のHL反転の切り替え信号。

端子番号	端子名称	I/O	機能説明
81	GND	—	GND 端子。
82~85	T15~T12	I	RAM チェック時は、RAM データ入力端子 15-12。
86	T11OP3	I/O	アウトポート端子 3-0 (アドレス 4) RAM チェック時は、RAM データ入力端子 11-8。
87	T10OP2	I/O	アウトポート端子 3-0 (アドレス 4) RAM チェック時は、RAM データ入力端子 11-8。
88	T9OP1	I/O	アウトポート端子 3-0 (アドレス 4) RAM チェック時は、RAM データ入力端子 11-8。
89	T8OP0	I/O	アウトポート端子 3-0 (アドレス 4) RAM チェック時は、RAM データ入力端子 11-8。
90	VCC	—	電源端子。
91	$\overline{\text{GHSYNC}}$	I	CD-G デコーダーからの $\overline{\text{HSYNC}}$ 信号。
92	$\overline{\text{GVSYNC}}$	I	CD-G デコーダーからの $\overline{\text{VSYNC}}$ 信号。
93	$\overline{\text{GCSYNC}}$	I	CD-G デコーダーからの $\overline{\text{CSYNC}}$ 信号。
94	GND	—	GND 端子。
95~98	T7~4	I	RAM チェック時は、RAM データ入力端子 7-4。
99	T3IP3	I	インポート端子 3-0 (アドレス 5) RAM チェック時は、RAM データ入力端子 3-0。
100	T2IP2	I	インポート端子 3-0 (アドレス 5) RAM チェック時は、RAM データ入力端子 3-0。
101	T1IP1	I	インポート端子 3-0 (アドレス 5) RAM チェック時は、RAM データ入力端子 3-0。
102	T0IP0	I	インポート端子 3-0 (アドレス 5) RAM チェック時は、RAM データ入力端子 3-0。
103	GND	—	GND 端子。
104	4FSC	O	NTSC: 14.31818MHz、PAL: 17.734475MHz のバッファ出力。
105	GND	—	GND 端子。
106	RAMCE	I	スタセル内部 RAM、ROM のチェック用のチップイネーブル信号。(通常 "L" 固定)
107	RAMW	I	スタセル内部 RAM、ROM のチェック用のリード・ライト信号。(通常 "L" 固定)
108	XT2C	I	XT2C 入力。(HSYNCDL のディレイに使用する)
109	GND	—	GND 端子。
110	$\overline{\text{RST}}$	I	リセット信号の入力ポート。
111	GND	—	GND 端子。
112	$\overline{\text{PAL/NTSC}}$	I	$\overline{\text{PAL/NTSC}}$ の切り替えポート。
113	$\overline{\text{HSYNCIN}}$	O	$\overline{\text{HSYNCIN}}$ の反転出力。
114	$\overline{\text{HSYNCIN}}$	I	VSR からの $\overline{\text{HSYNC}}$ 信号。(FMV エンジン対応時に限る)
115	$\overline{\text{VSYNCIN}}$	I	VSC からの $\overline{\text{VSYNC}}$ 信号。(FMV エンジン対応時に限る)
116	GND	—	GND 端子。
117~124	D7~0	I/O	CPU データバス信号。
125	VCC	—	電源端子。
126	CMOD	I	CBLK 出力の HL 反転の切り替え信号。
127	$\overline{\text{VOD}}$	I	ビデオアウトプットディセーブル。
128	VCD/FMV	I	VIDEO CD/FMV エンジン切り替えポート。

端子番号	端子名称	I/O	機能説明
129	\overline{CS}	I	チップセレクト信号。
130	$\overline{RD/LDS}$	I	CPUからのREAD信号。 \overline{RD} (H8対応時)、 \overline{LDS} (68000対応時)
131	$\overline{WR/R/W}$	I	CPUからのWRITE信号。 \overline{WR} (H8対応時)、 $\overline{R/W}$ (68000対応時)
132~134	A2~0	I	CPUからのアドレス信号。
135	H8/68	I	CPU H8-325/68000 切り替えポート。
136	GND	—	GND 端子。
137	\overline{HSYNCO}	O	水平同期出力。
138	\overline{VSYNCO}	O	垂直同期出力。
139	\overline{CSYNCO}	O	コンポジット同期出力、ビデオエンコーダーへの \overline{CSYNC} 信号。
140	SMOD	I	SYNC 信号出力の 13.5MHz の $\uparrow\downarrow$ 選択。 \overline{HDO} 、 \overline{VDO} 、 \overline{HSYNCO} 、 \overline{VSYNCO} 、 \overline{CSYNCO} 、SHSYNC、PCP、CBLK、FLDO の最終段で選択可能。(但し、 \overline{HSYNCO} 、 \overline{VSYNCO} 、 \overline{CSYNCO} については CD-G デコーダの SYNC 出力の時 には、対応しません。)
141	VCC	—	電源端子。
142~144	YIN7~5	I	MPEG CHIP からの Y 信号。

IC, HD6433042F06F

端子番号	端子名称	I/O	機能説明
1	VCC	I	電源。
2	CDG DIN	O	CD-G デコーダシリアルデータ信号。
3	CDG XLT	O	CD-G デコーダデータラッチ信号。
4	CDG CLK	O	CD-G デコーダクロック信号。
5~7	GADSP0~2	O	ゲートアレイ DSP フォーマット 0~2。
8	$\overline{\text{DRQ CDDEC}}$	I	CD-ROM デコーダデータリクエスト信号。
9	$\overline{\text{DRQ MPEG}}$	I	MPEG デコーダデータリクエスト信号。
10	$\overline{\text{RESO}}$	O	外部リセット出力。
11	GND	I	GND。
12	TXD0	O	シリアルインターフェース。(TXD)
13	TXD1	O	テスト用 CXD。
14	RXD0	I	シリアルインターフェース。(RXD)
15	RXD1	I	テスト用 RXD。
16	SCK0	I/O	シリアルインターフェース。(SCK)
17	$\overline{\text{MPRST}}$	O	ペリフェラルリセット。L: RESET ON
18~21	D0~D3	I/O	データバス 0~3。
22	GND	I	GND。
23~34	D4~D15	I/O	データバス 4~15。
35	VCC	I	電源。
36~43	A0~A7	O	アドレスバス 0~7。
44	GND	I	GND。
45~56	A8~A19	O	アドレスバス 8~19。
57	GND	I	GND。
58	$\overline{\text{WAIT}}$	I	外部からウェイト信号。
59	GLUE ON	O	DMA グルー回路イネーブル。0: OFF 1: ON
60	M EMPH	O	MPEG AUDIO エンファシス。0: OFF 1: ON
61	FAI	O	システムクロック出力。
62	$\overline{\text{STBY}}$	I	スタンバイ (LOW レベルでハードウェアスタンバイモード)。
63	$\overline{\text{RES}}$	I	リセット入力 (LOW でリセット)。
64	NMI	I	ノンマスクابل割り込みを要求します。(マスク不可能な割り込みを要求)
65	GND	I	GND。
66	EXTAL	I	水晶発振子を接続します。
67	XTAL	I	水晶発振子を接続します。
68	VCC	I	電源。
69	$\overline{\text{AS}}$	O	アドレスストロブ信号。
70	$\overline{\text{RD}}$	O	外部アドレスリードイネーブル信号。
71	$\overline{\text{HWR}}$	O	外部アドレスハイライトイネーブル信号。
72	$\overline{\text{LWR}}$	O	外部アドレスロウライトイネーブル信号。
73~75	MOD0~MOD2	I	モード端子、この端子で動作モードを設定します。
76	AVCC	I	AD 変換器及び DA 変換器の電源端子。
77	VREF	I	AD 変換器及び DA 変換器の基準電圧入力端子。

端子番号	端子名称	I/O	機能説明
78、79	P70、P71	I	テスト用インポート0、1。
80	PAL/NTSC	I	PAL/NTSC ステータス。0: NTSC 1: PAL
81	REQ CD	I	シリアルインターフェース。(REQ CD)
82~85	P74~P77	I	リザーブ。
86	AGND	I	AD 変換器及び DA 変換器のグランド端子。
87	INT CDDR \bar{V}	I	シリアル I/F 割り込み。
88	INT CDDEC	I	CD-ROM デコーダ割り込み。
89	INT MPEG	I	MPEG デコーダ割り込み。
90	IRQ3	I	リザーブ。
91	P84	I	リザーブ。
92	GND	I	GND。
93	DONE CDDEC	O	CD-ROM デコーダ DONE 信号。
94	DONE MPEG	O	MPEG デコーダ DONE 信号。
95	CDG VOFF	O	CD-G デコーダビデオ OFF 信号。1: VOFF
96	SYS MUTE1	O	オーディオミュート1信号。1: ミュート ON
97	INTFLDO	I	EVEN/ODD 入力信号。0: EVEN 1: ODD
98	SW AUDIO	O	オーディオ切り換え信号。0: CD-G/DA 1: MPEG
99	SYS MUTE0	O	オーディオミュート0信号。0: ミュート ON
100	REQ MPEG	O	シリアルインターフェース。(REQ MPEG)

IC, μ PD65622GF-239-3B9

端子番号	端子名称	I/O	機能説明
1	LRCKCD	O	CXD1186 へのメインデータ信号です。
2	SDATACD	O	
3	BCKCD	O	
4	C2POCD	O	
5	$\overline{\text{CSROMH}}$	O	CXD1186 (HOST 側) へのチップセレクト信号です。
6	$\overline{\text{CSROMC}}$	O	CXD1186 (CPU 側) へのチップセレクト信号です。
7	$\overline{\text{DACKROM}}$	O	CXD1186 への DMA アクノリッジ信号です。
8	HDRQ	I	CXD1186 からのデータ転送要求信号です。この信号はアクティブ "H" です。
9	$\overline{\text{ROMRD}}$	O	CXD1186 のリード/ライト信号です。
10	$\overline{\text{ROMWR}}$	O	CXD1186 のリード/ライト信号です。
11	EMPHI	I	CD ドライブからのメインデータを入力する為の信号です。
12	GND	—	GND 端子。
13	SDATAI	I	CD ドライブからのメインデータを入力する為の信号です。
14	BCKI	I	
15	LRCKI	I	
16	C2POI	I	
17	GND	—	GND 端子。
18	16.9M	I	16.9344MHz の発振回路入力信号です。
19	16.9F	O	16.9344MHz の発振回路出力信号です。
20	GND	—	GND 端子。
21	GSFSY	I	CD ドライブからのサブデータを入力する為の WRITE FRAME CLOCK 信号です。
22	EMPO	O	CXD1186 へのメインデータ信号です。
23	LRCKO	O	オーディオ DAC へのオーディオデータ信号です。
24	SDATAO	O	オーディオ DAC へのオーディオデータ信号です。
25	RESET	O	アクティブ "H" のリセット信号です。
26	GND	—	GND 端子。
27	BCKCO	O	オーディオ DAC へのオーディオデータ信号です。
28	$\overline{\text{GGLUE}}$	I	GSFSY 入力のグルー回路を有効にする為の入力信号です。
29	$\overline{\text{GGFSY}}$	O	未使用。
30	SDATAMA	I	μ PD61010 からのオーディオデータ信号です。
31	BCKMA	I	
32	LRCKMA	I	
33	GND	—	GND 端子。
34	VCC	—	電源端子。
35	$\overline{16.9M}$	O	16.9344MHz の出力信号です。
36	GND	—	GND 端子。
37	$\overline{\text{DS}}$	O	μ PD61010 への制御信号です。
38	$\overline{\text{CSMPEG}}$	O	μ PD61010 へのチップセレクト信号です。
39	R/W	O	μ PD61010 への制御信号です。
40	INT	I	μ PD61010 からのデータ割り込み要求信号です。この信号はアクティブ "H" です。

端子番号	端子名称	I/O	機能説明
41	HDAK	I	μ PD61010からのデータアクリッジ信号です。
42	DREQ	I	μ PD61010からのD-RAMデータ転送要求信号です。
43	DACKMP	O	μ PD61010へのDMAアクリッジ信号です。
44	DAK	I	μ PD61010からのビットストリームデータ転送要求信号です。
45	CSCCELL	O	スタンダードセルへのチップセレクト信号です。
46	GND	—	GND端子。
47	RESET	I	システムリセット信号です。
48	GND	—	GND端子。
49	CSRAM	O	システムRAMへのチップセレクト信号です。
50	LWR	I	CPUからのロアデータライト信号です。
51	HWR	I	CPUからのアッパーデータライト信号です。
52	RD	I	CPUからのデータリード信号です。
53	GND	—	GND端子。
54	AS	I	CPUからのアドレスストロブ信号です。
55	CSIO	O	オプション用のチップセレクト信号です。
56~63	A19~A12	I	CPUからのアドレス信号です。
64	GND	—	GND端子。
65	WAIT	O	CPUへのウェイト信号です。
66	GLUEON	I	CPUDMACの不具合を回避する為のグルーロジックを有効にする為の信号です。“H”でこの回路が有効になります。
67	SEL12	I	CPUクロックの12MHz/16MHzを選択する入力信号です。
68	EMPMA	I	μ PD61010からのオーディオデータ信号です。
69	GND	—	GND端子。
70	FAI	I	CPUからの基本クロック(12MHz)です。
71	GND	—	GND端子。
72	VCC	—	電源端子。
73	GND	—	GND端子。
74	INTMPEG	O	CXD1186の割り込み要求信号です。
75	SWAUDIO	I	MPEGオーディオとCD-DAオーディオの切り替え信号です。
76	DRQ1	O	μ PD61010のDMA転送要求信号です。
77	DRQ0	O	CXD1186のDMA転送要求信号です。
78~80	GADSP2~0	I	CDドライブからのメインデータをフォーマット変換するためのフォーマットセレクト信号です。

IC, CXD2500BQ

Pin No.	Pin Name	I/O	Description
1	FOK	I	Focus OK input terminal. Used for SENS output and servo auto sequencer.
2	FSW	O	Spindle motor output filter selection output.
3	MON	O	Spindle motor ON-OFF control output.
4	MDP	O	Spindle motor servo control.
5	MDS	O	Spindle motor servo control.
6	LOCK	O	H output when GFS is sampled at 460 Hz and GFS is H. L output when L is continuously 8 times.
7	NC	—	Not used.
8	VCOO	O	Oscillator circuit output for analog EFM PLL.
9	VCOI	I	Oscillator circuit input for analog EFM PLL. $f_{LOCK} = 8.6436$ MHz.
10	TEST	I	TEST terminal. Normally GND.
11	PDO	O	Charge pump output for analog EFM PLL.
12	VSS	—	GND.
13	NC	—	Not used.
14	NC	—	Not used.
15	NC	—	Not used.
16	VPCO	O	Charge pump output for vari-pitch PLL.
17	VCKI	I	Clock input from external VCO for vari-pitch. f_c center = 16.9344 MHz.
18	FILO	O	Filter output for master PLL (slave = digital PLL).
19	FILI	I	Filter input for master PLL.
20	PCO	O	Charge pump output for
21	AVSS	—	Analog GND.
22	CLTV	I	VCO control voltage input for master.
23	AVDD	—	Analog power supply. (+3.5 V)
24	RF	I	EFM signal input.
25	BIAS	I	Asymmetry circuit constant current input.
26	ASYI	I	Asymmetry compare voltage input.
27	ASYO	O	EFM full swing output (L = Vss, H = VDD.)
28	ASYE	I	L: asymmetry circuit OFF, H: asymmetry circuit ON.
29	NC	—	Not used.
30	PSSL	I	Audio data output mode selection input. Serial output at L, parallel output at H.
31	WDCK	O	D/A interface for 48-bit slot. Word clock $f = 2 F_s$.
32	LRCK	O	D/A interface for 48-bit slot. LR clock $f = F_s$.
33	VDD		Power supply. (+3.5 V)
34	S DATA	O	DA16 (MSB) output when PSSL = H. 48-bit slot serial data when PSSL = L. (2's COMP, MSB first).
35	BCLK	O	DA15 output when PSSL = H. 48-bit slot bit clock when PSSL = L.
36	NC	O	DA14 output when PSSL = H. 64-bit slot serial data when PSSL = L. (2's COMP, MSB first).
37	NC	O	DA13 output when PSSL = H. 64-bit slot bit clock when PSSL = L.
38	NC	O	DA12 output when PSSL = H. 64-bit slot LR clock when PSSL = L.

Pin No.	Pin Name	I/O	Description
39	GTOP	O	DA11 output when PSSL = H. GTOP output when PSSL = L.
40	XUGF	O	DA10 output when PSSL = H. XUGF output when PSSL = L.
41	XPLCK	O	DA09 output when PSSL = H. XPLCK output when PSSL = L.
42	GFS	O	DA08 output when PSSL = H. GFS output when PSSL = L.
43	RFCK	O	DA07 output when PSSL = H. RFCK output when PSSL = L.
44	C2P0	O	DA06 output when PSSL = H. C2P0 output when PSSL = L.
45	XRAOF	O	DA05 output when PSSL = H. XRAOF output when PSSL = L.
46	MNT3	O	DA04 output when PSSL = H. MNT3 output when PSSL = L.
47	MNT2	O	DA03 output when PSSL = H. MNT2 output when PSSL = L.
48	MNT1	O	DA02 output when PSSL = H. MNT1 output when PSSL = L.
49	MNT0	O	DA01 output when PSSL = H. MNT0 output when PSSL = L.
50	APTR	O	Aperture correction control output. H when R channel.
51	APTL	O	Aperture correction control output. H when L channel.
52	VSS	—	GND.
53	XTAI	I	Input to 16.9344 MHz X'tal oscillator circuit. or 33.8688 MHz input.
54	XTAO	O	16.9344 MHz X'tal oscillator output.
55	XTSL	I	X'tal selection input. L when X'tal is 16.9344 MHz. H when 33.8688 MHz.
56	FSTT	O	2/3 divider output of the pins 53 and 54. Does not change with vari-pitch.
57	C4M	O	4.2336 MHz output. When vari-pitch is performed, it changes too.
58	C16M	O	16.2336 MHz output. When vari-pitch is performed, it changes too.
59	MD2	I	Digital-out ON/OFF control. ON at H, OFF at L.
60	DOUT	O	Digital-out terminal.
61	EMPH	O	H output when the playback disc has emphasis. L output without emphasis.
62	WFCK	O	WFCK (Write Frame Clock) output.
63	SCOR	O	H output when S0 or S1 of the subcode sync is detected.
64	SBSO	O	Serial output of Sub P to W.
65	EXCK	I	Clock input for SBSO read out.
66	SQSO	O	SubQ 8-bit and PCM peak level data. 16-bit output.
67	SQCK	I	Clock input for SQSO readout.
68	MUTE	I	Mute at H. Release at L.
69	SENS	O	SENS output. Output to CPU.
70	XRST	I	System reset. Reset at L.
71	DATA	I	Serial data input from CPU.
72	XLAT	I	Latch input from CPU. Latches serial data at fall-down edge.
73	VDD	—	Power supply (+3.5 V).
74	CLOK	I	Serial data transfer clock input from CPU.
75	SEIN	I	Sensor input from SSP.
76	CNIN	I	Track jump number counted signal input.
77	DATO	O	Serial data output to SSP.
78	XLTO	O	Serial data latch output to SSP. Latches at fall-down edge.
79	CLKO	O	Serial data transfer clock output to SSP.
80	MIRR	I	Mirror signal input. Used for jump of 128 track or more at auto sequencer.

IC, CXA1645M

Pin No.	Pin Name	I/O	Description
1	GND	—	GND.
2	RIN	I	Analog RGB input terminals.
3	GIN		
4	BIN		
5	NC	—	N. C.
6	SCIN	I	Subcarrier input terminal.
7	NPIN	I	NTSC, PAL mode select terminal. NTSC: Vcc, PAL: GND.
8	BFOUT	O	Output terminal to monitor the BF pulse. Unable to drive 75 Ω load.
9	YCLPC	—	External time constant for Y signal clamp is connected to this terminal.
10	SYNCIN	I	Composite sync signal input terminal. Input at TTL level. SYNC period at L (≤ 0.8 V). H (≥ 2.0 V).
11	NC	—	N. C.
12	VCC	—	Power supply terminal.
13	IREF		Terminal which determines internal reference current.
14	VREF	—	Internal reference voltage terminal.
15	COUT	O	Chroma signal output terminal.
16	YOUT	O	Y signal output terminal.
17	YTRAP	I	Terminal to reduce cross-color due to subcarrier frequency component included in the Y signal.
18	FO	I	fo adjustment terminal of internal filter. The following resistor is connected between GND depending upon NTSC or PAL mode. NTSC: 20 k Ω ($\pm 1\%$) PAL: 16 k Ω ($\pm 1\%$).
19	VCC	—	Power supply terminal.
20	CVOUT	O	Composite video signal output terminal.
21	BOUT	O	Analog RGB signal output terminal
22	GOUT		
23	ROUT		
24	GND	—	GND.

IC, μ PD78044BGF

Pin No.	Pin Name	I/O	Description
1	DO ON	O	Digital output. ON/OFF output.
2~7	NC	—	Not used.
8	VDD	—	PWR. +5 V power supply.
9	CM CLK	I/O	Serial clock I/O.
10	C DATA	O	Serial data output.
11	M DATA	I	Serial data input.
12	O-CLK	O	DSP serial clock output.
13	O-XLT	O	DSP serial latch output.
14	O-SQCLK	O	DSP sub Q read-out clock output.
15	O-DATA	O	DSP serial data output.
16	I-SQDATA	I	DSP sub Q data input.
17	RESET	I	System reset input.
18	I-SENS	I	DSP SENS input.
19	XRST	O	CD system reset output.
20	AVSS	—	PWR. GND potential of A/D converter input.
21	I-FOK	I	ASP FOK input.
22	I-GFS	I	DSP GFS input.
23	—	—	Connected GND.
24	I-ILSW	I	Pickup limit switch input.
25	I-OCSW	I	Tray OPEN/CLOSE switch input.
26~28	—	—	Connected GND.
29	AVDD	—	PWR. Analog power supply of A/D converter input.
30	AVREF	I	PWR. Reference voltage input of A/D converter input.
31	—	—	Connected GND.
32	NC	—	Open terminal.
33	VSS	—	PWR. GND potential.
34	X1	I	CLK. Terminal for 4.19 MHz clock oscillator.
35	X2	O	CLK. Terminal for 4.19 MHz clock oscillator.
36~38	NC	—	Not used.
39	C-BUSY	O	MPEG status output.
40	MSTBY	I	Main microprocessor status input.
41	CLOCK	O	Main microprocessor serial clock output.
42	DATA	O	Main microprocessor serial data output.
43	D-REQ	O	Main microprocessor status output.
44	I-KEY	I	Main microprocessor serial data input.
45	SCOR	I	DSP SCOR input.
46	M-BUSY	I	MPEG status signal input.
47	—	—	Connected GND.
48	IC	—	PWR. Connected to Vss.
49	MUTE L	O	L channel analog mute output.
50	MUTE R	O	R channel analog mute output.

Pin No.	Pin Name	I/O	Description
51	DSSENS	I	Turntable sensor input.
52	VDD	—	PWR. +5 V power supply.
53~64	NC	—	Not used.
65	O-TOPN	O	Tray OPEN output.
66	O-CLS	O	Tray CLOSE output.
67	O-DFWD	O	Turntable forward rotation output.
68	O-DRVS	O	Turntable reverse rotation output.
69, 70	NC	—	Not used.
71	VLOAD	—	PWR. -27 V power supply for FL pull-down.
72~76	NC	—	Not used.
77	VCD	O	VIDEO CD selection output.
78	$\overline{\text{CD FUNC}}$	O	CD function selection output.
79	G-MUT	O	CDG mute output.
80	CD ON	O	FL. Digit output for FL display.

IC, CXD1186CR

Pin No.	Pin Name	I/O	Description
1~4	A0~A3	I	CPU address signal.
5	HMDS	I	Host mode select signal.
6, 7	HA0, HA1	I	Host address signal.
8	XHCS	I	Chip select negative logic signal from the host.
9	HINT	O	Interrupt request negative logic signal to the host.
10	GND	—	GND.
11	XHRD	I/O	Data read strobe signal from the host or to the SCSI control IC.
12	XHWR	I/O	Data write strobe signal from the host or to the SCSI control IC.
13~20	HDB0~HDB7	I/O	Host data bus.
21	GND	—	GND.
22	HDBP	I/O	Error flag. Host data bus.
23	XRST	I	Reset negative logic signal.
24	HDRQ	O	Data request positive logic signal to the host. Or DMA acknowledge negative logic signal to the SCSI control IC.
25	XHAC	I	DMA acknowledge negative logic signal from the host Or data request positive logic signal from the SCSI control.
26	XTC	I	Terminal count negative logic signal.
27	ADRQ	I	DMA request positive logic signal from ADP.
28	XAAC	O	DMA acknowledge negative logic signal to ADP.
29, 30	BA0, BA1	O	Buffer memory address.
31	VDD	—	Power supply (+5 V) terminal.
32~39	BA2~BA9	O	Buffer memory address.
40	GND	—	GND.
41~46	BA10~BA15	O	Buffer memory address.
47	XMOE	O	Buffer memory output enable negative logic signal.
48	XMWR	O	Buffer memory write negative logic signal.
49	BDB0	I/O	Buffer memory data bus.
50	GND	—	GND.
51~57	BDB1~BDB7	I/O	Buffer memory data bus.
58	BDBP	I/O	Buffer memory pointer data bus.
59	XTL2	O	X'TAL oscillator circuit output terminal.
60	XTL1	I	X'TAL oscillator input terminal.
61	GND	—	GND.
62	HCLK	O	X'TAL 1 divided-by-2 clock signal.
63	LRCK	I	LR clock from CD player.
64	DATA	I	Serial data from CD player.
65	BCLK	I	Bit clock from CD player.
66	C2P0	I	C2 pointer from CD player.
67~70	DB0~DB3	I/O	CPU data bus.
71	VDD	—	Power supply (+5 V) terminal.
72~75	DB4~DB7	I/O	CPU data bus.

Pin No.	Pin Name	I/O	Description
76	XCS	I	Chip select negative logic signal from CPU.
77	XRD	I	IC internal register read-out strobe negative logic signal from CPU.
78	XWR	I	IC internal register write strobe negative logic signal from CPU.
79	INT	O	Interrupt request signal to CPU.
80	GND	—	GND.

IC, TLC29321PW

Pin No.	Pin Name	I/O	Description
1	VDD	—	Power supply terminal to the internal logic circuit.
2	VCO LS	I	VCO output frequency divide-by-2 divider select terminal. The VCO output frequency can be divided by 2 and output as this terminal is controlled by external logic.
3	VCOO	O	VCO output terminal. Goes to low level during inhibit.
4, 5	FIN-A, FIN-B	I	2 input terminal for edge difference detection between the reference frequency (fREF-IN) and the frequency from external counter. The fREF-IN is input to the FIN-A terminal normally, and the divided or multiplied frequency from external counter is input to the FIN-B terminal.
6	PFDO	O	PFD output terminal.
7	GND	—	Internal logic circuit GND terminal.
8	NC	—	N.C.
9	PFDIH	I	PFD inhibit function control terminal.
10	VCOIH	I	VCO inhibit function control terminal.
11	A GND	—	VCO GND.
12	VCOI	I	VCO control voltage input. The VCO oscillator control voltage is input from an external low-pass filter to form PLL.
13	RBIAS	I	External resistor is connected to this terminal for setting the VCO oscillation frequency. A bias resistor is connected between this terminal and power supply line to supply bias for internal VCO oscillation and for setting and adjusting the oscillating frequency.
14	A VDD	—	VCO power supply voltage terminal.

IC, HD49307

Pin No.	Pin No.	I/O	Description
1~5	G4~G8	I	Digital input terminal.
6	B1	—	N. C.
7	NC	I	Digital input terminal.
8~12	B2~B6	I	Digital input terminal.
13~15	NC	—	N. C.
16, 17	B7, B8	I	Digital input terminal.
18	NC	—	N. C.
19	RCLK	I	R channel clock input.
20	GCLK	I	G channel clock input.
21	BCLK	I	B channel clock input.
22	DVSS	—	Digital GND.
23	DVDD	—	Digital power supply.
24	NC	—	N. C.
25	CBU	—	External phase compensation capacitance connection terminal.
26	CBL	—	Bypass capacitance connection terminal.
27~29	NC	—	N. C.
30	VRREF	I	Reference voltage input terminal.
31	AVSS	—	Analog GND.
32	AVDD	—	Analog power supply.
33	BOUT	O	B channel analog signal output terminal.
34	AVDD	—	Analog power supply.
35	NC	—	N. C.
36	GOUT	O	G channel analog signal output terminal.
37	AVDD	—	Analog power supply.
38	ROUT	O	R channel analog signal output terminal.
39	AVSS	—	Analog GND.
40	AVDD	—	Analog power supply.
41	DVDD	—	Digital power supply.
42	R1	I	Digital input terminal.
43~44	NC	—	N. C.
45~51	R2~R8	I	Digital input terminal.
52~54	G1~G3	I	Digital input terminal.
55, 56	NC	—	N. C.

IC, μ PD61010

Pin No.	Pin Name	I/O	Description
1	VDD	—	+5 V power supply.
2~6	HD9~5	I/O	Host data bus.
7	VDD	—	+5 V power supply.
8	GND	—	GND.
9~13	HD4~0	I/O	Host data bus.
14	VDD	—	+5 V power supply.
15	GND	—	GND.
16	$\overline{\text{DREQ}}$	O	DMA request signal.
17	$\overline{\text{DACK}}$	I	DMA acknowledge signal.
18	HSEL	I	Signal to select the host CPU access method.
19	DRQ	I	Data input request for bit stream input from CD-ROM decoder.
20	VDD	—	+5 V power supply.
21	GND	—	GND.
22	$\overline{\text{DAK}}$	O	Data input response for bit stream input from CD-ROM decoder, or DMA input request for code input.
23	$\overline{\text{DRD}}$	O	Bit stream input approval signal.
24, 25	NC	—	N. C.
26~33	CD0~7	I	Data bus for bit stream input from CD-ROM decoder.
34	VDD	—	+5 V power supply.
35	GND	—	GND.
36~39	MD7~4	I/O	DRAM data bus.
40	VDD	—	+5 V power supply.
41, 42	GND	—	GND.
43~46	MD3~0	I/O	DRAM data bus.
47, 48	MD15, 14	I/O	DRAM data bus.
49	VDD	—	+5 V power supply.
50	GND	—	GND.
51~56	MD13~8	I/O	DRAM data bus.
57	VDD	—	+5 V power supply.
58	GND	—	GND.
59~64	MA0~5	O	DRAM address bus.
65	VDD	—	+5 V power supply.
66	GND	—	GND.
67~69	MA6~8	O	DRAM address bus.
70	$\overline{\text{RAS}} \text{ I}$	O	DRAM RAS signal.
71	$\overline{\text{RAS}} \text{ O}$	O	DRAM RAS signal.
72	$\overline{\text{CAS}}$	O	DRAM CAS signal.
73	VDD	—	+5 V power supply.
74	$\overline{\text{WE}}$	O	Write enable to DRAM.
75~77	NC	—	N. C.
78	VOE	I	Video data output enable.

Pin No.	Pin Name	I/O	Description
79, 80	GND	—	GND.
81	VDD	—	+5 V power supply.
82	NC	—	N. C.
83	FLDI	I	Field signal (odd/even)
84	HDI	I	Horizontal sync signal.
85	VDI	I	Vertical sync signal.
86	VDCLK	I	Video data output clock (13.5 MHz).
87	VDD	—	+5 V power supply.
88~91	VDATA23~20	O	Video data output bus.
92	GND	—	GND.
93	VDD	—	+5 V power supply.
94~97	VDATA19~16	O	Video data output bus.
98, 99	VDATA15, 14	O	Video data output bus.
100	VDD	—	+5 V power supply.
101	GND	—	GND.
102~105	VDATA13~10	O	Video data output bus.
106	VDD	—	+5 V power supply.
107	GND	—	GND.
108~112	VDATA9~5	O	Video data output bus.
113	VDD	—	+5 V power supply.
114	GND	—	GND.
115~119	VDATA4~0	O	Video data output bus.
120	VDD	—	+5 V power supply.
121, 122	GND	—	GND.
123	DO	O	Video data output bus.
124	BCK	O	Video data output clock.
125	LRCK	O	L/R channel identification signal.
126	MCLK	O	Audio master clock.
127	NC	—	N. C.
128	AUCLK	I	Internal audio decoder system clock.
129	VDD	—	+5 V power supply.
130~132	NC	—	N. C.
133	VDD	—	+5 V power supply.
134	$\overline{\text{RESET}}$	I	Reset signal.
135	CLK	I	System clock (27 MHz)
136	GND	—	GND.
137	$\overline{\text{DS}}$	I	Data strobe signal.
138	$\overline{\text{R/W}}$	I	Read/write select.
139	$\overline{\text{CS}}$	I	Chip select.
140~145	HADR0~5	I	Host address bus.
146, 147	GND	—	GND.

Pin No.	Pin Name	I/O	Description
148	INT	O	Interrupt signal.
149	HDAK	O	Bus cycle response signal.
150	VDD	—	+5 V power supply.
151	GND	—	GND.
152~157	HD15~10	I/O	Host data bus.
158	VDD	—	+5 V power supply.
159, 160	GND	—	GND.

IC, μ PD63210GT

Pin No.	Pin Name	I/O	Description
1	TSEL	I	Test selection input.
2	RST	I	Reset input.
3	XTO	O	External crystal oscillator is connected to this pin.
4	XTI	I	External crystal oscillator is connected to this pin.
5	MCKO	O	Master clock output.
6	CKSEL	I	Clock selection input.
7	CLK	I	Bit clock input.
8	SI	I	Data input.
9	LRCK	I	LR clock input.
10	DEFS1	I	Deemphasis selection input 1.
11	DEFS2	I	Deemphasis selection input 2.
12	DSEL	I	Double speed playback selection input.
13	SMUTE	I	Soft mute selection input.
14	BSEL	I	Data bit length selection input.
15	DGND	—	Digital GND.
16	AGND	—	Analog GND.
17	RO	O	D/A converter output (R channel).
18	AOR	O	Filter amplifier output (R channel).
19	ANIR	I	Filter amplifier (-) input (R channel).
20	APIR	I	Filter amplifier (+) input (R channel).
21	RREF	—	Reference (R channel).
22	LREF	—	Reference (L channel).
23	APIL	I	Filter amplifier (+) input (L channel).
24	ANIL	I	Filter amplifier (-) input (L channel).
25	AOL	O	Filter amplifier output (L channel).
26	LO	O	D/A converter output (L channel).
27	AVDD	—	Analog power supply.
28	DVDD	—	Digital power supply.

IC, TC170C100AF

Pin No.	Pin Name	I/O	Description
1~5	YIN4~0	I	Y signal from MPEG chip.
6	GND	—	GND.
7~14	UIN7~0	I	U signal from MPEG chip.
15	GND	—	GND.
16, 17	VIN7, 6	I	V signal from MPEG chip.
18	VCC	—	Power supply terminal.
19~24	VIN5~0	I	V signal from MPEG chip.
25	GND	—	GND.
26	FLDO	O	Odd/even signal output of a field.
27	HDO	O	HSYNC signal to MPEG chip.
28	VDO	O	VSYNC signal to MPEG chip.
29	PCP	O	Clamp signal output.
30	CBLK	O	Blanking signal output (used depending upon type of DAC).
31	GND	—	GND.
32	FSC	O	Sub carrier output (Divided-by-four of NTSC: 14.31818 MHz. PAL: 17.734475 MHz).
33	CDG/MPEG	O	CD-G or MPEG play selector signal to external RGB video selector.
34	TEST0	I	Operation mode setting terminal.
35	GND	—	GND.
36	13.5M	O	13.5 MHz output.
37	GND	—	GND.
38~43	R OUT7~2	O	Y/R signal output (Output format can be selectable in Y/R).
44	GND	—	GND.
45, 46	R OUT1, 0	O	Y/R signal output (Output format can be selectable in Y/R).
47~54	G OUT7~0	O	U/G signal output (Output format can be selectable in U/G).
55	VCC	—	Power supply terminal.
56~63	B OUT7~0	O	V/B signal output (Output format can be selectable in V/B).
64	GND	—	GND.
65	27M	I	27 MHz input.
66	TEST1	I	Operation mode setting terminal.
67	SHSYNC	O	Comparison clock for PLL synchronizing CLK.
68	MHSYNC	O	Reference clock for PLL synchronizing CLK.
69	VCC	—	Power supply terminal.
70	OSC1	I	14.31818 MHz input port (crystal oscillation) when supporting NTSC.
71	OSC2	O	NTSC: 14.31818 MHz crystal oscillation output terminal.
72, 73	GND	—	GND.
74	OSC3	I	17.734475 MHz input port (crystal oscillation) when supporting PAL.
75	OSC4	O	17.734475 MHz crystal oscillation output terminal.
76	VCC	—	Power supply terminal.
77, 78	TEST2, 3	I	Operation mode setting terminal.
79	FMOD	I	FLDO output HL inversion selection signal.
80	PMOD	I	PCP output HL inversion selection signal.

Pin No.	Pin Name	I/O	Description
81	GND	—	GND.
82~85	T15~T12	I	RAM data input terminals 15 - 12 during RAM check.
86	T11OP3	I/O	OUT port terminals 3 - 0 (address 4). RAM data input terminals 11 - 8 during RAM check.
87	T10OP2	I/O	OUT port terminals 3 - 0 (address 4). RAM data input terminals 11 - 8 during RAM check.
88	T9OP1	I/O	OUT port terminals 3 - 0 (address 4). RAM data input terminals 11 - 8 during RAM check.
89	T8OP0	I/O	OUT port terminals 3 - 0 (address 4). RAM data input terminals 11 - 8 during RAM check.
90	VCC	—	Power supply terminal.
91	$\overline{\text{GHSYNC}}$	I	$\overline{\text{HSYNC}}$ signal from CD-G decoder.
92	$\overline{\text{GVSYNC}}$	I	$\overline{\text{VSYNC}}$ signal from CD-G decoder.
93	$\overline{\text{GCSYNC}}$	I	$\overline{\text{CSYNC}}$ signal from CD-G decoder.
94	GND	—	GND.
95~98	T7~4	I	RAM data input terminals 7 - 4 during RAM check.
99	T3IP3	I	IN port terminals 3 - 0 (address 5). RAM data input terminals 3 - 0 during RAM check.
100	T2IP2	I	IN port terminals 3 - 0 (address 5). RAM data input terminals 3 - 0 during RAM check.
101	T1IP1	I	IN port terminals 3 - 0 (address 5). RAM data input terminals 3 - 0 during RAM check.
102	T0IP0	I	IN port terminals 3 - 0 (address 5). RAM data input terminals 3 - 0 during RAM check.
103	GND	—	GND.
104	4FSC	O	104 NTSC: 14.31818 MHz. PAL: 17.734475 MHz buffer output.
105	GND	—	GND.
106	RAMCE	I	Chip enable signal for checking internal RAM and ROM check. (Fixed to low normally).
107	RAMW	I	Read/write signal for checking internal RAM and ROM check. (Fixed to low normally).
108	XT2C	I	XT2C input (used for HYNC DL delay).
109	GND	—	GND.
110	$\overline{\text{RST}}$	I	Input port of the reset signal.
111	GND	—	GND.
112	PAL/NTSC	I	PAL/NTSC selector port.
113	HSYNCIN	O	Inverted output of HYNCS IN.
114	$\overline{\text{HSYNCIN}}$	I	$\overline{\text{SYNC}}$ signal from VST (only when supporting FMV engine).
115	$\overline{\text{VSYNCIN}}$	I	$\overline{\text{VSYNC}}$ from VSC. (only when supporting FMV engine).
116	GND	—	GND.
117~124	D7~0	I/O	CPU data bus signal.

Pin No.	Pin Name	I/O	Description
125	VCC	—	Power supply terminal.
126	CMOD	I	CLBK output HL inversion selection signal.
127	$\overline{\text{VOD}}$	I	Video output disable.
128	VCD/ $\overline{\text{FMV}}$	I	VIDEO CD/DMV engine selection port.
129	$\overline{\text{CS}}$	I	Chip select signal.
130	$\overline{\text{RD/LDS}}$	I	READ signal from CPU $\overline{\text{RD}}$ (when supporting H8). $\overline{\text{LD}}$ (when supporting 680009).
131	$\overline{\text{WR/R/W}}$	I	$\overline{\text{WRITE}}$ signal from CPU $\overline{\text{WR}}$ (when supporting H8). R/W (when supporting 680009).
132~134	A2~0	I	Address signal from CPU.
135	H8/ $\overline{68}$	I	CPU H8-325/68000 selection port.
136	GND	—	GND.
137	$\overline{\text{HSYNCO}}$	O	Horizontal sync output.
138	$\overline{\text{VSYNCO}}$	O	Vertical sync output.
139	$\overline{\text{CSYNCO}}$	O	Composite sync output. $\overline{\text{CSYNCO}}$ signal from video encoder.
140	SMOD	I	13.5 MHz $\uparrow \downarrow$ selection of SYNC signal output. Selection is possible at the final stage of $\overline{\text{HDO}}$, $\overline{\text{VDO}}$, $\overline{\text{HSYNCO}}$, $\overline{\text{VSYNCO}}$, $\overline{\text{CSYNCO}}$, SHYNC, PCP, CBLK, FLDO. (However, $\overline{\text{HSYNCO}}$, $\overline{\text{VSYNCO}}$, $\overline{\text{CSYNCO}}$ are supported during SYNC output of the CD-G decoder.)
141	VCC	—	Power supply terminal.
142~144	YIN7~5	I	Y signal from MPEG chip.

IC, HD6433042F06F

Pin No.	Pin Name	I/O	Description
1	VCC	I	Power supply.
2	CDG DIN	O	CD-G decoder serial data signal.
3	CDG XLT	O	CD-G decoder latch signal.
4	CDG CLK	O	CD-G decoder clock signal.
5~7	GADSP0~2	O	Gate array DSP format 0~2.
8	$\overline{\text{DRQ}}$ CDDEC	I	CD-ROM decoder data request signal.
9	$\overline{\text{DRQ}}$ MPEG	I	MPEG decoder data request signal.
10	RESO	O	External reset output.
11	GND	I	GND.
12	TXD0	O	Serial interface (RXD).
13	TXD1	O	CXD for test.
14	RXD0	I	Serial interface (RXD).
15	RXD1	I	RXD for test.
16	SCK0	I/O	Serial interface (SCK).
17	$\overline{\text{MPRST}}$	O	Peripheral reset. L: RESET ON.
18~21	D0~D3	I/O	Data bus 0~3.
22	GND	I	GND.
23~34	D4~D15	I/O	Data bus 4~15.
35	VCC	I	Power supply.
36~43	A0~A7	O	Address bus 0~7.
44	GND	I	GND.
45~56	A8~A19	O	Address bus 8~19.
57	GND	I	GND.
58	$\overline{\text{WAIT}}$	I	External wait signal.
59	GLUE ON	O	DMA glue circuit enable 0: OFF. 1: ON.
60	M EMPH	O	MPEG AUDIO emphasis 0: OFF. 1: ON.
61	FAI	O	System clock output.
62	$\overline{\text{STBY}}$	I	Standby. (Hardware standby mode at low level).
63	$\overline{\text{RES}}$	I	Reset input. (Reset at low).
64	NMI	I	Non-maskable interrupt. (Non-maskable interrupt is requested).
65	GND	I	GND.
66	EXTAL	I	External crystal is connected to this pin.
67	XTAL	I	External crystal is connected to this pin.
68	VCC	I	Power supply.
69	$\overline{\text{AS}}$	O	Address strobe signal.
70	$\overline{\text{RD}}$	O	External address read enable signal.
71	HWR	O	External address high write enable signal.
72	LWR	O	External address low write enable signal.
73~75	MOD0~MOD2	I	Mode terminal. Operating mode is set using this terminal.
76	AVCC	I	Power supply terminal of A/D converter and D/A converter.
77	VREF	I	Reference voltage input to A/D converter and D/A converter.

Pin No.	Pin Name	I/O	Description
78, 79	P70, P71	I	IN port 0, 1 for test.
80	PAL/NTSC	I	PAL/NTSC status 0: NTSC. 1: PAL.
81	REQ CD	I	Serial interface (REQ_CD).
82~85	P74~P77	I	Reserve.
86	AGND	I	GND terminal of A/D converter and D/A converter.
87	INT CDDR \bar{V}	I	Serial interface interrupt.
88	INT CDDEC	I	CD-ROM decoder interrupt.
89	INT MPEG	I	MPEG decoder interrupt.
90	IRQ $\bar{3}$	I	Reserve.
91	P84	I	Reserve.
92	GND	I	GND.
93	DONE CDDEC	O	CD-ROM decoder DONE signal.
94	DONE MPEG	O	MPEG decoder DONE signal.
95	CDG VOFF	O	CD-G decoder video OFF signal. 1: VOFF.
96	SYS MUTE1	O	Audio mute 1 signal. 1: mute ON.
97	INTFLDO	I	EVEN/OFF input signal. 0: EVEN. 1: ODD.
98	SW AUDIO	O	Audio select signal. 0: CD-G/DA. 1: MPEG.
99	SYS MUTE $\bar{0}$	O	Audio mute 0 signal. 0: mute on.
100	REQ MPEG	O	Serial interface (REQ MPEG)

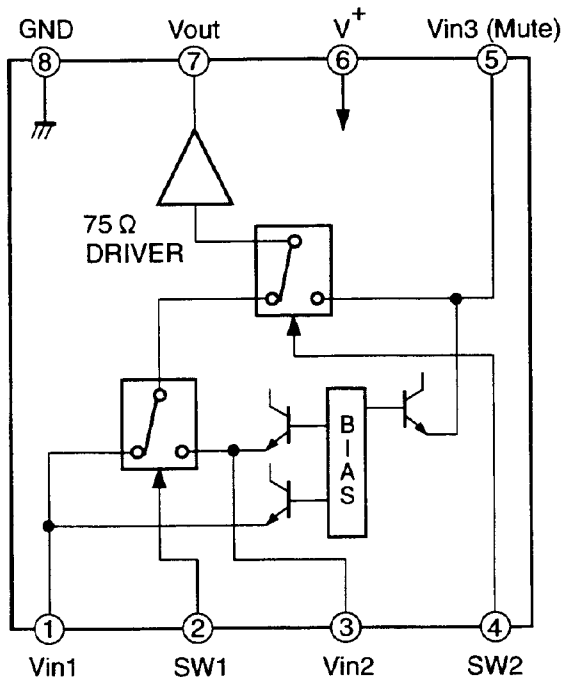
IC, μ PD65622GF-239-3B9

Pin No.	Pin Name	I/O	Description
1	LRCKCD	O	Main data signal to CXD1186.
2	SDATACD	O	
3	BCKCD	O	
4	C2POCD	O	
5	$\overline{\text{CSROMH}}$	O	Chip select signal to CXD1186 (host side).
6	$\overline{\text{CSROMC}}$	O	Chip select signal to CXD1186 (CPU side).
7	$\overline{\text{DACKROM}}$	O	DMA acknowledge signal to CXD1186.
8	HDRQ	I	Data transfer request signal from CXD1186. This signal is active high.
9	$\overline{\text{ROMRD}}$	O	Read/write signal to CXD1186.
10	$\overline{\text{ROMWR}}$	O	Read/write signal to CXD1186.
11	EMPHI	I	This signal allows inputting the main data from the CD drive.
12	GND	—	GND.
13	SDATAI	I	This signal allows inputting the main data from the CD drive.
14	BCKI	I	
15	LRCKI	I	
16	C2POI	I	
17	GND	—	GND.
18	16.9M	I	16.9344 MHz oscillator circuit input signal.
19	16.9F	O	16.9344 MHz oscillator circuit output signal.
20	GND	—	GND.
21	GSFSY	I	Write frame clock signal used to input the sub data from CD drive.
22	EMPO	O	Main data signal to CXD1186.
23	LRCKO	O	Audio data signal to audio DAC.
24	SDATAO	O	Audio data signal to audio DAC.
25	RESET	O	Active high reset signal.
26	GND	—	GND.
27	BCKCO	O	Audio data signal to audio DAC.
28	$\overline{\text{GGLUE}}$	I	The input signal which makes the glue circuit valid from GSFSY input.
29	$\overline{\text{GGSFSY}}$	O	Not used.
30	SDATAMA	I	Audio data signal from μ PD61010.
31	BCKMA	I	
32	LRCKMA	I	
33	GND	—	GND.
34	VCC	—	Vcc.
35	$\overline{16.9M}$	O	16.9344 MHz output signal.
36	GND	—	GND.
37	$\overline{\text{DS}}$	O	Control signal to μ PD61010.
38	$\overline{\text{CSMPEG}}$	O	Chip select signal to CXD1186.
39	$\overline{\text{R/W}}$	O	Control signal to μ PD61010.
40	INT	I	Interrupt request signal from μ PD61010. This signal is active high.
41	$\overline{\text{HDAK}}$	I	Data acknowledge signal from μ PD61010.

Pin No.	Pin Name	I/O	Description
42	$\overline{\text{DREQ}}$	I	DRAM data transfer request signal from $\mu\text{PD61010}$.
43	$\overline{\text{DACKMP}}$	O	DMA acknowledge signal to $\mu\text{PD61010}$.
44	$\overline{\text{DAK}}$	I	Bit stream data transfer request signal from $\mu\text{PD61010}$.
45	$\overline{\text{CSCCELL}}$	O	Chip select signal to standard cell.
46	GND	—	GND.
47	$\overline{\text{RESET}}$	I	System reset signal.
48	GND	—	GND.
49	$\overline{\text{CSRAM}}$	O	Chip select signal to the system RAM.
50	$\overline{\text{LWR}}$	I	Lower data write signal from CPU.
51	$\overline{\text{HWR}}$	I	Upper data write signal from CPU.
52	$\overline{\text{RD}}$	I	Data read signal from CPU.
53	GND	—	GND.
54	$\overline{\text{AS}}$	I	Address strobe signal from CPU.
55	$\overline{\text{CSIO}}$	O	Optional chip select signal.
56~63	A19~A12	I	Address signal from CPU.
64	GND	—	GND.
65	WAIT	O	Wait signal to CPU.
66	GLUEON	I	This signal makes the glue logic valid in order to prevent CPU DMAC from trouble. This circuit is made valid at high.
67	$\overline{\text{SEL12}}$	I	Input signal to select 12 MHz or 16 MHz CPU clock.
68	EMPMA	I	Audio data signal from $\mu\text{PD61010}$.
69	GND	—	GND.
70	FAI	I	Basic clock signal (12 MHz) from CPU.
71	GND	—	GND.
72	VCC	—	Vcc.
73	GND	—	GND.
74	$\overline{\text{INTMPEG}}$	O	Interrupt request signal to CXD1186.
75	SWAUDIO	I	Selection signal between MPEG audio and CD-DA audio signals.
76	$\overline{\text{DRQ1}}$	O	DMA transfer request signal to $\mu\text{PD61010}$.
77	$\overline{\text{DRQ0}}$	O	DMA transfer request signal to CXD1186.
78~80	GADSP2~0	I	Format select signal to convert format of the main data from CD drive.

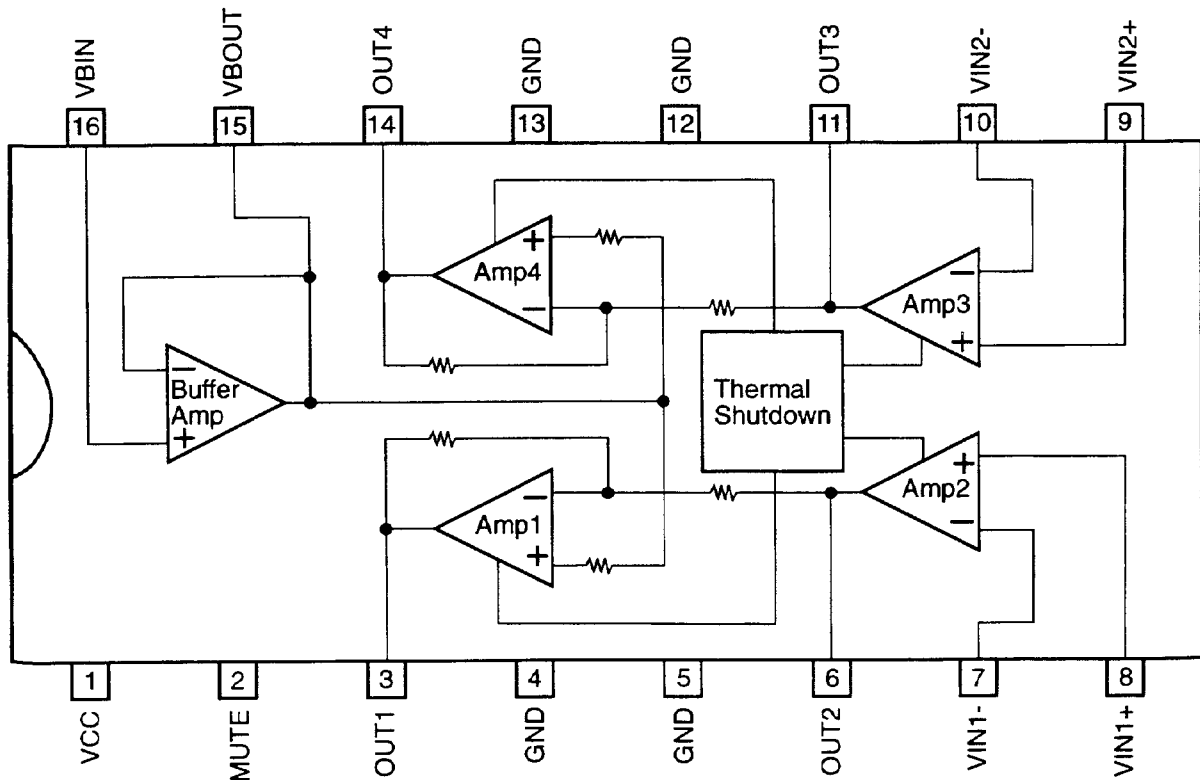
IC BLOCK DIAGRAM

IC, NJM2244L

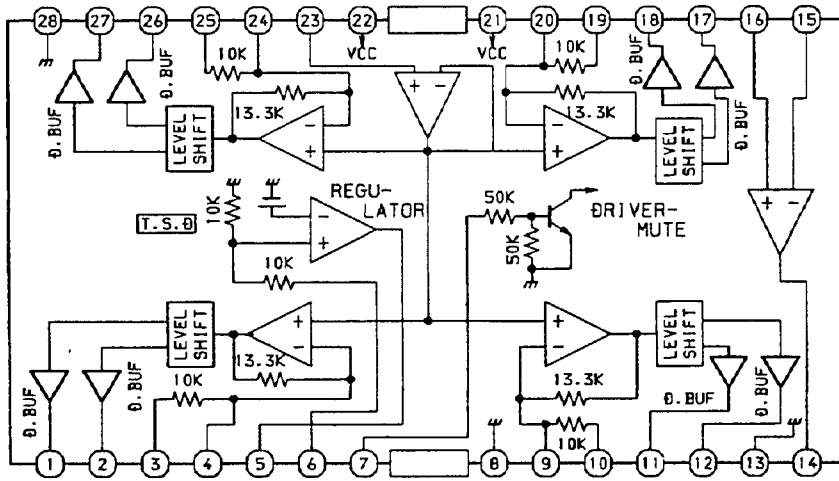


SW1	SW2	OUTPUT SIGNAL
L	L	Vin1
H	L	Vin2
L/H	H	Vin3

IC, LA6530



IC, BA6397



TEST MODE

1. CDテストモードの起動方法

ファンクションCDの釦を押しながら、ACプラグを挿入する。
上記によりFL表示管が全て点灯し、テストモードが起動します。

2. CDテストモードの解除方法

下記のいずれか1つの操作で解除します。
ファンクション釦を押す ・パワーSW釦を押す。
(CDファンクション釦以外) ・ACプラグを抜く。

3. CDテストモードの機能説明

テストモード起動後、各操作釦を押す事により次のNo1～No5の各モード機能が使用できます。

Mode/No.	操作	FL表示	動作	内容
スタートモード No.1	起動	全灯表示	<ul style="list-style-type: none"> TEST MODE起動 LASER DIODE常時発光 (CDブロック電源ON) 	<ul style="list-style-type: none"> FL表示確認 (全灯) APC回路確認 レーザー電流測定 (レーザー電流コントロール、トランジスタのエミッター-GND間の抵抗の両端。)
サーチモード No.2	■ 釦		<ul style="list-style-type: none"> 連続フォーカスサーチ (PUレンズがフルスイングを繰り返す) * 10分以上の連続フォーカスは避けて下さい。 *注1 	FOCUS SERVO <ul style="list-style-type: none"> フォーカスラッチ波形確認 フォーカスエラー波形確認 (サーチモードではFOK/FZCは監視せず。)
プレイモード No.3	◀▶ 釦		<ul style="list-style-type: none"> 通常再生 TOC READ出来ない場合フォーカスサーチを続行 *注1 	FOCUS SERVO/TRACKING SERVO CLV SERVO/SLED SERVO FOK/FZC確認
トラバースモード No.4	釦		<ul style="list-style-type: none"> DISC通常再生中 1回押すトラッキングサーボ OFF 2回押すトラッキングサーボ ON *注2 	TRACKING SERVO ON/OFF トラッキングバランス (トラバース) 調整
スレッドモード No.5	◀◀ 釦 ▶▶ 釦	全灯表示	<ul style="list-style-type: none"> ピックアップ外周へ移動 ピックアップ内周へ移動 <p style="text-align: right;">*注3 (再生中は通常動作致します)</p>	SLED SERVO SLED メカ動作確認

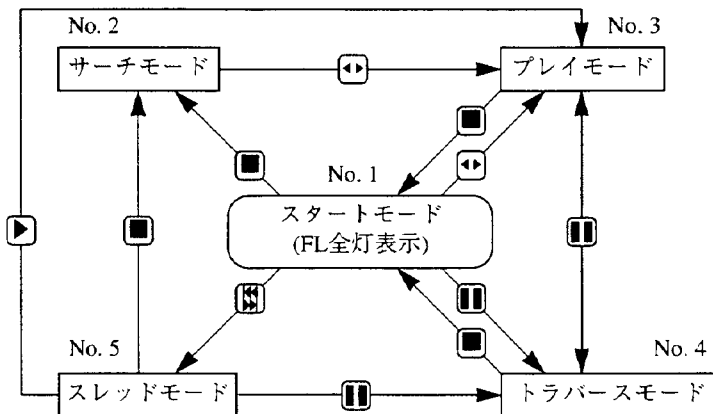
*注1 フォーカスサーチを連続して10分以上動作し続けるとドライバーICが発熱し保護回路が働く為、トラッキングサーボがかからない状態となる場合があります。この様な場合には、電源を切り約10分間放熱後、再スタートして下さい。

*注2 「||」状態で、「◀◀」または「▶▶」釦を押さない事。「||」状態解除後、再生出来なくなります。「||」状態で、「◀◀」または「▶▶」釦を押した場合には「■」釦を押してスタートモード (No.1) に戻して下さい。

*注3 ピックアップが最内周、最外周の位置でも「◀◀」または「▶▶」釦を押している間はスレッドモータが回転する為、ギヤ破損に注意して下さい。

4. 操作概要

下図の様にスタートモードから、矢印方向の流れで各モードの操作が行えます。モード変更は、下図の流れに従って下さい。



尚、DISC DIRECT PLAY釦を押した場合には、上図のPLAY釦を押した時と同様の動作となります。またプレイモード/トラバースモード時にopen/close釦により、トレイをopenさせた場合には、スタートモードに戻ります。

1. How to Activate CD Test Mode

Insert the AC plug while pressing the function CD button.
All FL display tubes will light up, and the test mode will be activated.

2. How to Cancel CD Test Mode

Either one of the following operations will cancel the CD test mode.

- Press the function button.
- Press the power switch button. (except CD function button)
- Disconnect the AC plug

3. CD Test Mode Functions

When test mode is activated, the following mode functions from No.1 to No.5 can be used by pressing the operation keys.

Mode/No.	Operation	FL display	Operation	Contents
Start mode No.1	Activation	All lamps light	<ul style="list-style-type: none"> • Test mode is activated. • Laser diode turns always ON. (CD block power is ON.) 	<ul style="list-style-type: none"> • FL display check (All displays light.) • APC circuit check • Laser current measurement (Laser current control. Across a resistor connected between emitter and GND.)
Search mode No.2	■ key		<ul style="list-style-type: none"> • Continual focus search (The pickup lens repeats the full-swing up-down motion.) * Avoid continual searches that last for more than 10 minutes. * NOTE 1 	<p>FOCUS SERVO</p> <ul style="list-style-type: none"> • Check focus search waveform • Check focus error waveform (FOK/FZC are not monitored in the search mode)
Play mode No.3	◀▶ key		<ul style="list-style-type: none"> • Normal playback • Focus search is continued if TOC cannot be read. * NOTE 1 	<p>FOCUS SERVO/TRACKING SERVO CLV SERVO/SLED SERVO</p> <p>Check FOK/FZC</p>
Traverse mode No.4	key		<ul style="list-style-type: none"> • During normal disc playback Press once; tracking servo OFF Press twice; tracking servo ON * NOTE 2 	<p>TRACKING SERVO ON/OFF</p> <p>Tracking balance (traverse) adjustment</p>
Sled mode No.5	◀◀ key ▶▶ key	All lamps light	<ul style="list-style-type: none"> • Pickup moves to the outermost track • Pickup moves to the innermost track * NOTE 3 <p>(During playback, machine operates normally.)</p>	<p>SLED SERVO</p> <p>Check SLED mechanism operation</p>

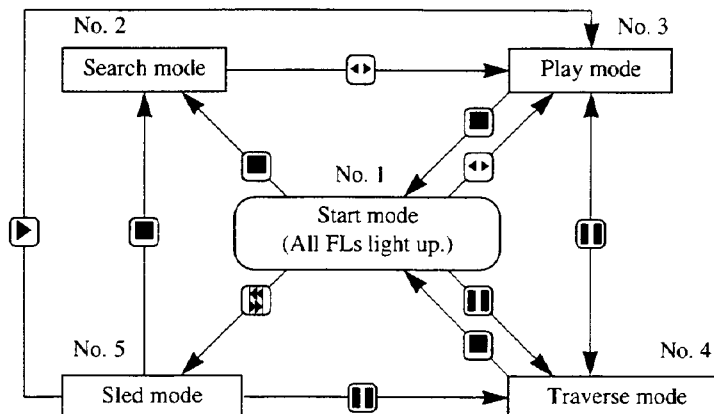
* NOTE 1: There are cases when the tracking servo cannot be locked owing to the protection circuit being operated when heat builds up in the driver IC if the focus search is operated continually for more than 10 minutes. In these cases the power supply should be switched off for 10 minutes until heat has been reduced and then re-started.

* NOTE 2: Do not press the ◀◀ or ▶▶ keys when the machine is in the || status is active. If they are pressed, playback will not be possible after the || status has been canceled. If the ◀◀ or ▶▶ keys are pressed in the || status, press the ■ key and return to the start mode (No.1).

* NOTE 3: When pressing the ◀◀ or ▶▶ keys, take care to avoid damage to the gears. Because the sled motor is activated when the ◀◀ or ▶▶ keys are pressed, even when the pick-up is at the outermost or innermost track.

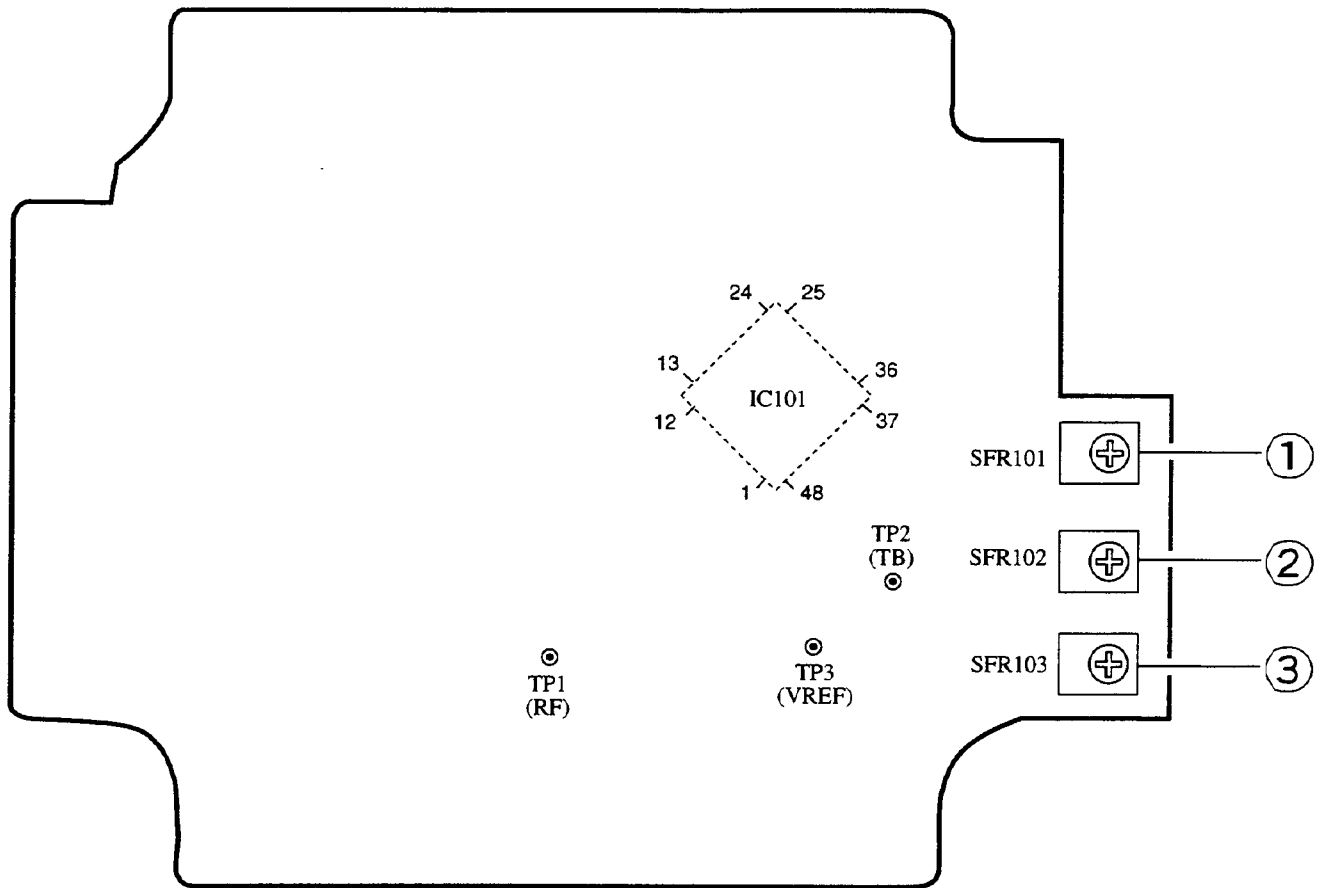
4. Operation Outline

The operation of each mode is carried out in the direction of the arrows from the start mode as indicated in the following illustration.



If the DISC DIRECT PLAY button is pressed, the machine performs the same operation as the PLAY button is pressed as shown. If the tray is opened by pressing OPEN/CLOSE button during Play mode or Traverse mode, the machine returns to the Start mode.

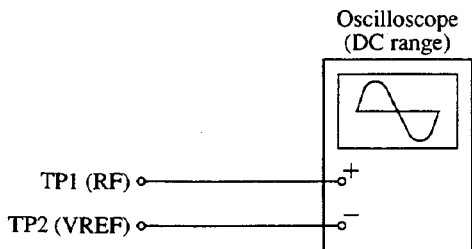
B CD MECHA C.B



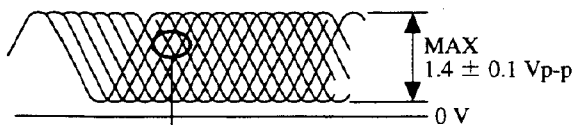
注意: ・ (10: 1) のプローブを接続して、調整して下さい。
 ・ 各調整には、オシロスコプの⊖側をTP2 (VREF) に接続して下さい。

1. フォーカスバイアス調整

この調整は、光学系ブロックを交換修理した場合に調整すること。



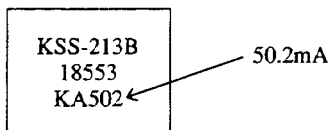
- 1) テストポイントTP1 (RF)、TP2 (VREF) にオシロスコプを接続する。
- 2) POWERスイッチをONにする。
- 3) テストディスクTCD-782 (YEDS-18) を入れて2曲目をPLAYさせる。
- 4) オシロスコプの波形の振幅が最大となり、かつ中央のひし形が、鮮明になるようにSFR101を調整する。



EYE PATTERN
must be CLEAR and MAX

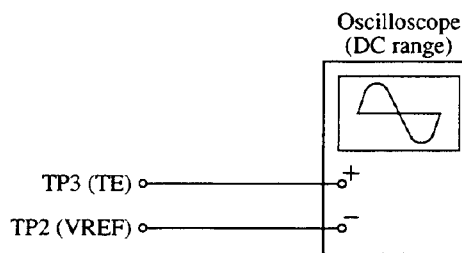
VOLT/DIV : 50mV
TIME/DIV : 0.5 μS

(注) レーザー電流の確認はR127 (10Ωの両端電圧) で行えます。レーザーピックアップの裏側のラベルの電流値に対して±6.0mAに入っていること。

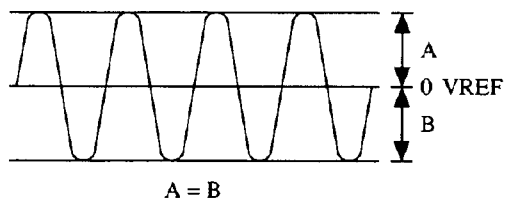


$$\text{レーザー電流 } I_{op} = \frac{\text{R127の両端電圧}}{10\Omega}$$

2. トラッキング・バランス調整



- 1) テストポイントTP3 (TE)、TP2 (VREF) にオシロスコプを接続する。
- 2) POWERスイッチをONにする。
- 3) テストディスクTCD-782 (YEDS-18) を入れて、▶PLAY状態にする。
- 4) SFR103を回しトラッキングゲインを絞る。
- 5) オシロスコプのトラバース波形が、下図のように上下対称になるようにSFR102を調整する。
- 6) 調整後、各端子のアースリード線ははずす。



VOLT/DIV : 20mV
TIME/DIV : 1mS

3. トラッキングゲイン調整

この調整を正確に行うためには、サーボアナライザーが必要です。しかし、このゲインはマージンを持っているため、通常では少し位ずれていてもほとんど問題はありません。したがってこの調整は行わないで下さい。フォーカス/トラッキングゲインは2軸デバイス動作時の機械的雑音と機械的ショックに対するピックアップの追従性を決めています。しかし、これは互いに相反するため、両方を満足する点に調整してあります。

- ゲインを上げると2軸デバイス動作時の雑音が増加する。
- ゲインを下げると機械的ショックに弱くなり音飛びを起こしやすくなる。そしてゲインの調整がずれていると次頁の様な症状が出ます。

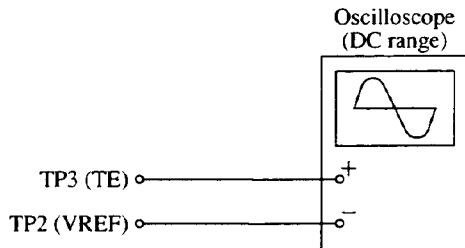
ゲイン 症状	(フォーカス)	トラッキング
● STOP→▶PLAY時,又は自動選曲時(◀▶)ボタンを押したときに演奏が始まるまでの時間が長くなる。(通常は2秒位です。)	低い	低い 又は 高い
● STOP→▶PLAY時,又は自動選曲時(◀▶)ボタンを押したときに演奏が始まらないでディスクが回転を続ける。	—	低い
● STOP→▶PLAY時,しばらくすると回転が止まる。	低い又は高い	—
● 演奏中に音がとぎれる。又,タイムカウンターの表示が進まなくなる。	—	低い
● 2軸デバイス動作時のノイズが多くなる。	高い	高い

なお、簡易調整として下記の方法があります。

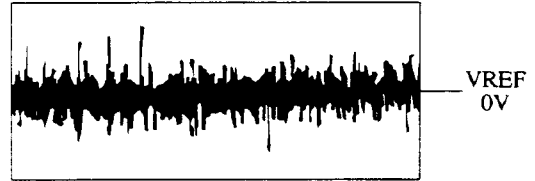
— 簡易調整 —

注意: 正確には調整できないため、調整を行う前にボリュームの位置を覚えておいて、簡易調整を行った後のボリュームの位置と比較して、そのずれが少ないときは元のボリュームの位置に戻しておいて下さい。

調整方法:



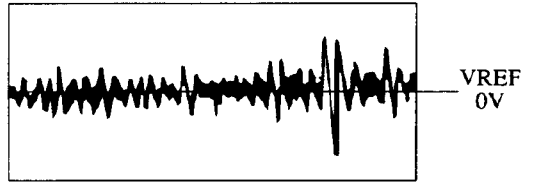
1. セットを水平に置く。
(セットを水平に置かないと2軸デバイスが重力の影響を受け、調整出来ません。)
2. テストディスクTCD-782 (YEDS-18) を入れて2曲目を再生する。
3. オシロスコープをCD MECHA基板のTP3 (TE)、TP2 (VREF) に接続する。
4. オシロスコープの波形が下図の波形になるようにSFR103を調整する。(トラッキングゲイン調整)



VOLT/DIV : 50mV
TIME/DIV : 1mS

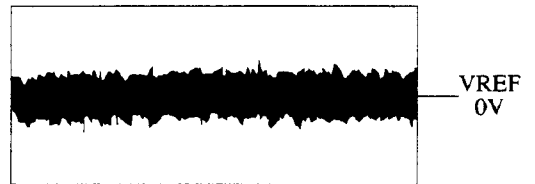
● 悪い例

トラッキングゲインが低い時
(調整されている波形と比べて基本波が表れるようになる。)



VOLT/DIV : 50mV
TIME/DIV : 1mS

トラッキングゲインが高い時
(ゲインが低い時と比べて基本波が高い)

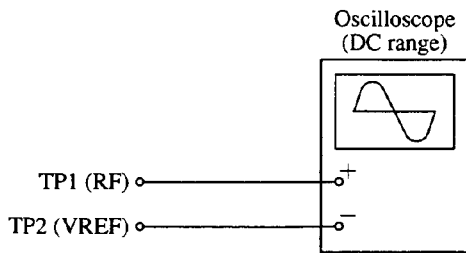


VOLT/DIV : 50mV
TIME/DIV : 1mS

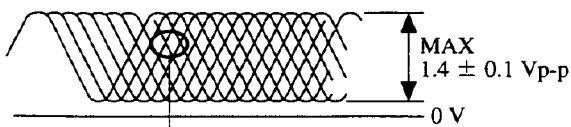
Note: Connect a probe (10: 1) of the oscilloscope or the frequency counter to a test point.

1. Focus Bias Adjustment

Make the focus bias adjustment when replacing and repairing the optical block.



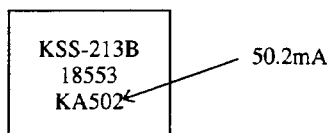
- 1) Connect an oscilloscope to test points TP1 (RF) and TP2 (VREF).
- 2) Turn on the power switch.
- 3) Insert test disc TCD-782 (YEDS-18) and play back the second composition.
- 4) Adjust SFR101 so that RF signal of test point TP1 (RF) is MAX and CLEARREST.



EYE PATTERN must be CLEAR and MAX

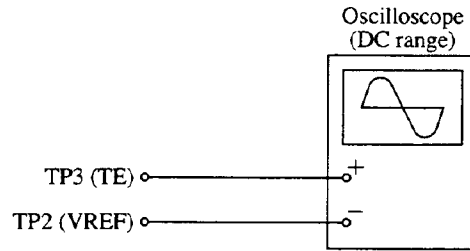
VOLT/DIV : 50mV
TIME/DIV : 0.5μS

Note: The current of the laser signal can be checked with the voltages on both sides of R127 (10Ω). The difference for the specified value shown on the level must be within ± 6.0 mA.

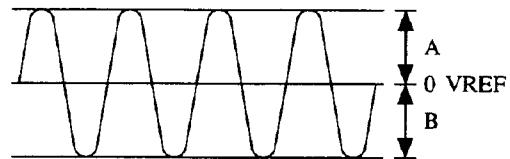


$$\text{Laser current } I_{op} = \frac{\text{Voltage across R127}}{10\Omega}$$

2. Tracking Balance Adjustment



- 1) Connect an oscilloscope to test points TP3 (TE) and TP2 (VREF).
- 2) Turn on the power switch.
- 3) Insert test disc TCD-782 (YEDS-18) and press the PLAY button.
- 4) Adjust SFR103 to decrease the tracking gain.
- 5) Adjust SFR102 so that the waveform on the oscilloscope is vertically symmetrical as shown in the figure below.
- 6) After the adjustment is completed, remove the connected lead wires from the terminals.



VOLT/DIV : 20mV
TIME/DIV : 1mS

3. Tracking Gain Adjustment

A servo analyzer is necessary in order to perform this adjustment exactly. However, this gain has a margin, so even if it is slightly off, there is no problem. Therefore, do not perform this adjustment.

Focus/tracking gain determines the pick-up follow-up (vertical and horizontal) relative to mechanical noise and mechanical shock when 2-axis device operates. However, as these reciprocate, the adjustment is at the point where both are satisfied.

- When gain is raised, the noise increases when the 2-axis device operates.
- When gain is lowered, it is more susceptible to mechanical shock and skipping occurs more easily.

When the gain adjustment is off, the symptoms below appear.

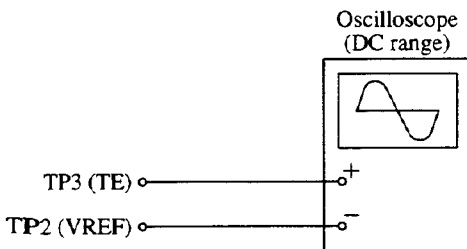
Symptoms \ Gain	(Focus)	Tracking
● The time until music starts becomes longer for STOP → ▶PLAY or automatic selection (◀◀, ▶▶ buttons pressed.) (Normally takes about 2 seconds.)	low	low or high
● Music does not start and disc continues to rotate for STOP → ▶PLAY or automatic selection (◀◀, ▶▶ buttons pressed.)	—	low
● Disc stops to rotate shortly after STOP → ▶PLAY.	low or high	—
● Sound is interrupted during PLAY. Or time counter display stops.	—	low
● More noises during the 2-axis device operation.	high	high

The following is simple adjustment method.

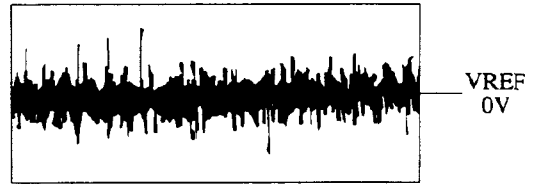
— Simple adjustment —

Note: Since the exact adjustment cannot be performed, remember the positions of the controls before the performing the adjustment. If the positions after the simple adjustment are only a little different, return the controls to the original position.

Procedure:



- 1) Keep the set horizontal. (If the set is not kept horizontally, this adjustment cannot be performed due to the gravity against the 2-axis device.)
- 2) Insert test disc TCD-782 (YEDS-18) and play back the second composition.
- 3) Connect an oscilloscope to TP3 (TE), TP2 (VREF) of the CD MECHA C.B.
- 4) Adjust SFR103 so that the waveform appears as shown in the figure below. (tracking gain adjustment)

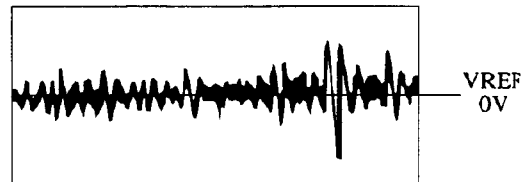


VOLT/DIV: 50 mV
TIME/DIV: 1mS

- Incorrect example

Low tracking gain

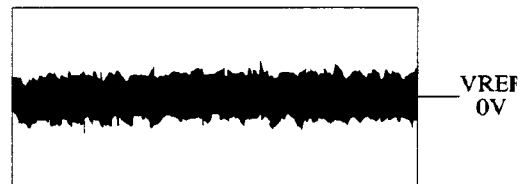
The fundamental wave appears as compared with the waveform adjusted.



VOLT/DIV: 50 mV
TIME/DIV: 1mS

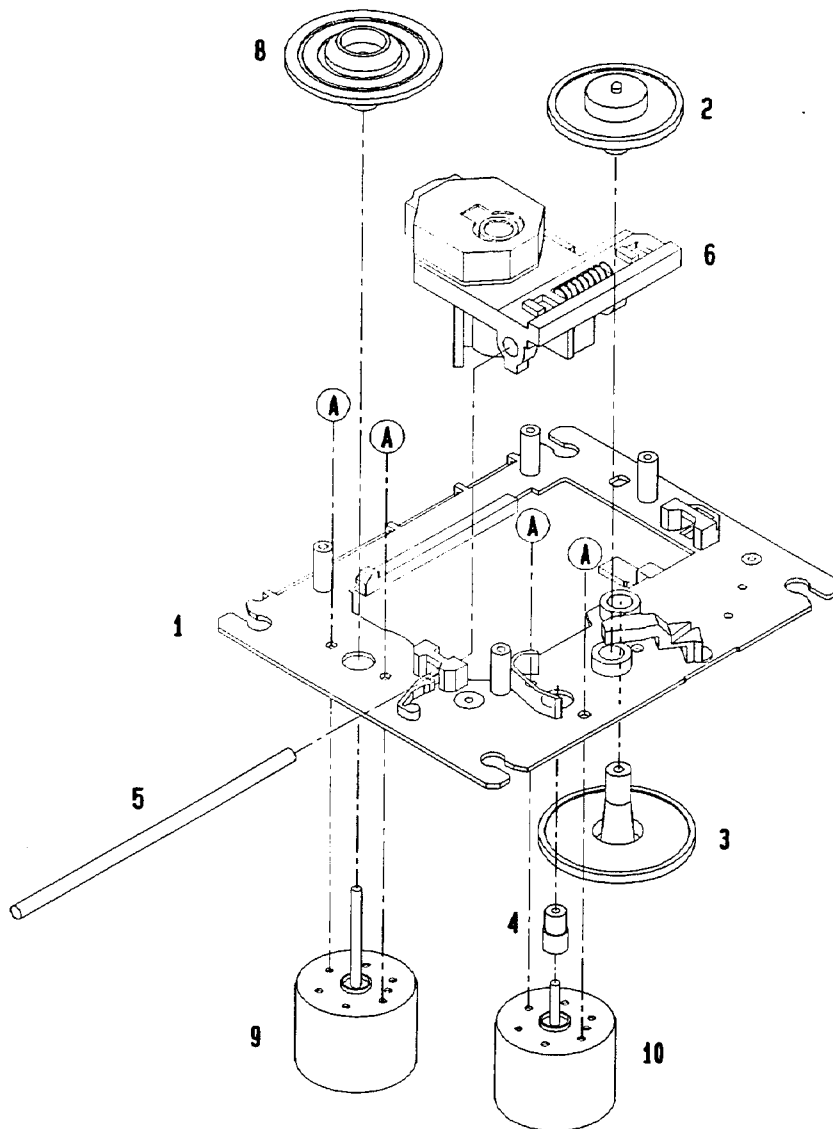
High tracking gain

The frequency of the fundamental wave is higher than that in low gain.



VOLT/DIV: 50 mV
TIME/DIV: 1mS

CD MECHANISM EXPLODED VIEW 1 / 1 (3ZG-2 C1N <V2, V3>)



CD MECHANISM PARTS LIST 1 / 1 (3ZG-2 C1N <V2, V3>)

DESCRIPTIONで判断できない物は“REFERENCE NAME LIST”を参照してください。
If can't understand for Description please kindly refer to “REFERENCE NAME LIST”.

REF. NO	PART NO.	カンリ NO.	DESCRIPTION	REF. NO	PART NO.	カンリ NO.	DESCRIPTION
1	83-ZG2-202-61K	1C	O-SERT S ASSY, S	6	87-070-445-010	2C	PICK-UP, KSS-213B
2	83-ZG2-204-419	0E	GEAR, A	8	83-ZG2-222-01K	1B	TURN TABLE, A5
3	83-ZG2-205-219	0E	GEAR, B	9	87-045-358-019	1F	MOT, RP-310T A 43
4	83-ZG2-220-01K	0E	GEAR MOTOR 2	10	87-045-356-019	1F	MOT, RP-310T A 30
5	83-ZG2-207-119	1A	SHAFT, SLIDE	A	87-261-032-219	0E	SCREW V+2-3

4ZG-1S

ELECTRICAL MAIN PARTS LIST

DESCRIPTION で判断できない物は“REFERENCE NAME LIST”を参照してください。
If can't understand for Description please kindly refer to "REFERENCE NAME LIST".

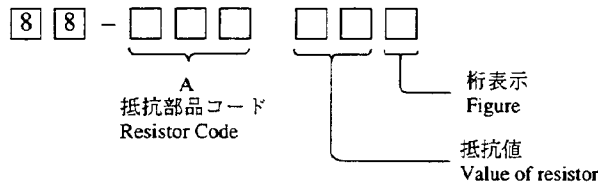
REF.NO.	PART NO.	カンリ NO.	DESCRIPTION	REF.NO.	PART NO.	カンリ NO.	DESCRIPTION
IC				C102	87-010-186-089	0E	C-CAP,S 4700P-50 B
	87-017-745-019	2A	IC,CXA1782BQ	C103	87-010-187-089	0E	C-CAP,S 5600P-50 B
	87-070-294-019	2B	IC,CXD2508AQ	C104	87-012-156-089	0E	C-CAP,S 220P-50 CH
	87-017-825-019	1E	IC,GPIF32T<D>	C105	87-010-404-089	0E	CAP,E 4.7-50 SME
	87-017-888-089	1A	IC,NJM4558MD	C106	87-010-263-049	0E	CAP,E 100-10
	87-020-501-089	1A	IC,TA78L005AP	C107	87-010-197-089	0E	C-CAP,S 0.01-25 B
	87-017-801-080	1H	IC,TA2058F	C108	87-010-400-049	0E	CAP,E 0.47-50
	87-001-982-019	1B	IC,TA7291S	C109	87-010-197-089	0E	C-CAP,S 0.01-25 B
	87-017-802-010	2Y	IC,LC7872B<G>	C110	87-010-180-089	0E	C-CAP,S 1500P-50 B
	87-002-892-089	1C	IC,MM1031XMR<G>	C112	87-010-318-089	0E	C-CAP,S 47P-50 CH<D>
	87-017-803-010	2A	IC,LC32464P-80<G>	C113	87-010-263-089	0E	CAP,E 100-10 SME 5X11
TRANSISTOR				C114	87-010-197-089	0E	C-CAP,S 0.01-25 B
	87-026-463-089	0E	TR, 2SA933S (RS)	C115	87-010-318-089	0E	C-CAP,S 47P-50 CH
	87-026-233-089	0E	C-TR,DTA114TK	C116	87-010-318-089	0E	C-CAP,S 47P-50 CH
	87-026-211-089	0E	C-TR,DTA144EK T147	C117	87-010-197-089	0E	C-CAP,S 0.01-25 B
	89-109-340-489	0E	TR, 2SA934Q	C118	87-010-263-089	0E	CAP,E 100-10 SME<D>
	89-318-155-089	0E	TR,2SC1815GR	C201	87-012-153-089	0E	C-CAP,S 120P-50 CH
	89-421-722-389	0E	TR,2SD2172V/W	C202	87-012-153-089	0E	C-CAP,S 120P-50 CH
	89-320-011-089	0E	TR,2SC2001K	C203	87-010-321-089	0E	C-CAP,S 82P-50 CH
	87-026-223-089	0E	C-TR,DTC143TK	C204	87-010-321-089	0E	C-CAP,S 82P-50 CH
	87-026-608-089	0E	C-TR,DTC 123 JK<F,FJ>	C205	87-010-321-089	0E	C-CAP,S 82P-50 CH
DIODE				C206	87-010-321-089	0E	C-CAP,S 82P-50 CH
	87-002-564-089	0E	DIODE 1SS133 RA	C207	87-012-153-089	0E	C-CAP,S 120P-50 CH
	87-020-465-089	0E	DIODE,1SS133	C208	87-012-153-089	0E	C-CAP,S 120P-50 CH
3CD C.B				C209	87-012-153-089	0E	C-CAP,S 120P-50 CH
C11	87-010-182-089	0E	C-CAP,S 2200P-50 B	C210	87-012-153-089	0E	C-CAP,S 120P-50 CH
C12	87-010-196-089	0E	C-CAP,S 0.1-25 F	C211	87-010-401-089	0E	CAP,E 1-50 SME
C13	87-010-196-089	0E	C-CAP,S 0.1-25 F	C212	87-010-401-089	0E	CAP,E 1-50 SME
C14	87-010-196-089	0E	C-CAP,S 0.1-25 F	C213	87-010-186-089	0E	C-CAP,S 4700P-50 B
C15	87-010-404-089	0E	CAP,E 4.7-50 SME	C214	87-010-186-089	0E	C-CAP,S 4700P-50 B
C16	87-010-193-089	0E	C-CAP,S 0.033-25 F	C231	87-010-221-089	0E	CAP,E 470-10
C17	87-010-197-089	0E	C-CAP,S 0.01-25 B	C232	87-010-263-089	0E	CAP,E 100-10 SME
C18	87-010-402-049	0E	CAP E2.2-50 SME	C301	87-010-196-089	0E	C-CAP,S 0.1-25 F
C19	87-010-382-049	0E	CAP,E 22-25 SME	C302	87-015-688-019	0E	CAP,E 4.7-50 7L
C20	87-010-213-029	0E	C-CAP,S 0.015-50 B	C303	87-010-248-089	0E	CAP,E 220-10 SME
C21	87-010-197-089	0E	C-CAP,S 0.01-25 B	C304	87-010-196-089	0E	C-CAP,S 0.1-25 F
C22	87-010-263-049	0E	CAP,E 100-10	C305	87-010-196-089	0E	C-CAP,S 0.1-25 F
C23	87-015-819-089	0E	CHIP CAP 0.01	C306	87-016-459-049	0E	CAP,E 470-10 SMG
C24	87-010-193-089	0E	C-CAP,S 0.033-25 F	C501	87-016-459-049	0E	CAP,E 470-10 SMG
C25	87-010-197-089	0E	C-CAP,S 0.01-25 B	C502	87-010-197-089	0E	C-CAP,S 0.01-25 B
C26	87-010-193-089	0E	C-CAP,S 0.033-25 F	C503	87-010-260-049	0E	CAP,E 47-25 SME
C27	87-010-197-089	0E	C-CAP,S 0.01-25 B	C504	87-010-197-089	0E	C-CAP,S 0.01-25 B
C28	87-010-146-089	0E	C-CAP,S 2P-50 CH	C505	87-010-196-089	0E	C-CAP,S 0.1-25 F
C29	87-010-154-089	0E	C-CAP,S 10P-50 CH	C506	87-010-196-089	0E	C-CAP,S 0.1-25 F
C30	87-010-263-089	0E	CAP,E 100-10 SME 5X11	C507	87-010-196-089	0E	C-CAP,S 0.1-25 F
C31	87-010-178-089	0E	C-CAP,S 1000P-50 B	C508	87-010-196-089	0E	C-CAP,S 0.1-25 F
C32	87-010-198-089	0E	C-CAP,S 0.022-25 B	C509	87-010-197-089	0E	C-CAP,S 0.01-25 B
C33	87-010-196-089	0E	C-CAP,S 0.1-25 F	C510	87-010-178-089	0E	C-CAP,S 1000P-50 B
C34	87-010-197-089	0E	C-CAP,S 0.01-25 B	C601	87-010-197-089	0E	C-CAP,S 0.01-25 B
C35	87-010-263-089	0E	CAP,E 100-10 SME 5X11	C602	87-010-381-089	0E	CAP,E 330-16 SME
C36	87-010-248-089	0E	CAP,E 220-10 SME	C603	87-010-196-089	0E	C-CAP,S 0.1-25 F
C37	87-010-197-089	0E	C-CAP,S 0.01-25 B	C701	87-010-322-089	0E	C-CAP,S 100P-50 CH
C38	87-010-260-089	0E	CAP,E 47-25 SME	C702	87-010-297-089	0E	C-CAP 100P-50CH
C39	87-010-196-089	0E	C-CAP,S 0.1-25 F	C703	87-010-318-089	0E	C-CAP,S 47P-50 CH
C101	87-010-194-089	0E	C-CAP,S 0.047-25 F	C704	87-010-178-089	0E	C-CAP,S 1000P-50 B
				C712	87-010-265-049	0E	CAP,E 33-16 SME
				C801	87-010-197-089	0E	C-CAP,S 0.01-25 B<G>
				C802	87-010-374-049	0E	CAP,E 47-10<G>
				C803	87-010-194-089	0E	C-CAP,S 0.047-25 F<G>
				C804	87-010-260-089	0E	CAP,E 47-25 SME<G>

REF. NO.	PART NO.	カンリ NO.	DESCRIPTION
C805	87-015-819-029	0E	C-CAP, 0.01-50 BK<G>
C806	87-010-260-089	0E	CAP, E 47-25 SME<G>
C807	87-010-405-089	0E	CAP, E 10-50 SME<G>
C808	87-010-197-089	0E	C-CAP, S 0.01-25 B<G>
C809	87-010-405-089	0E	CAP, E 10-50 SME<G>
C810	87-010-313-089	0E	C-CAP, S 18P-50 CH<G>
C811	87-010-314-089	0E	C-CAP, S 22P-50 CH<G>
C812	87-010-313-089	0E	C-CAP, S 18P-50 CH<G>
C813	87-010-315-089	0E	C-CAP, S 27P-50 CH<G>
C814	87-010-197-089	0E	C-CAP, S 0.01-25 B<G>
C815	87-010-260-089	0E	CAP, E 47-25 SME<G>
C816	87-010-260-089	0E	CAP, E 47-25 SME<G>
C817	87-010-221-089	0E	CAP, E 470-10<G>
C818	87-010-196-089	0E	C-CAP, S 0.1-25 F<G>
C819	87-010-321-089	0E	C-CAP, S 82P-50 CH<G>
C820	87-010-178-089	0E	C-CAP, S 1000P-50 B<G>
CON1	84-ZG1-610-019	1B	CONN ASSY, 8P-W
CON2	84-ZG1-611-119	1B	CONN ASSY, 8P-R
CON3	84-ZG1-612-019	1B	CONN ASSY, 6P
EMI801	87-008-474-089	0E	F-BEAD, EMI BL02RN1<G>
EMI802	87-008-474-089	0E	F-BEAD, EMI BL02RN1<G>
J801	87-009-502-010	1A	JACK, PIN 1PY EARTH<G>
L11	87-003-295-089	0E	COIL, 10UH
M601	87-045-305-019	1E	MOTOR, RF-500TB
SFR11	87-024-175-089	0E	SFR, 47K DIA6 V

REF. NO.	PART NO.	カンリ NO.	DESCRIPTION
SFR12	87-024-174-089	0E	SFR33K DIA6 V
SFR13	87-024-176-089	0E	SFR, 100K DIA6 V
SW701	87-036-109-019	0E	SW, PUSH SPPB 61
SW702	87-036-109-019	0E	SW, PUSH SPPB 61
X101	87-030-402-089	1B	VIB, XTAL 16.9344 MHZ
X801	80-JUC-602-080	1C	VIB, XTAL 17.73MHZ<G>
X802	80-JUC-601-080	1C	VIB, XTAL 14.31MHZ<G>
LED C.B<F, FJ>			
LED701	87-017-350-080	0E	LED, SEL1550CM<FJ>
LED701	87-017-806-010	0E	LED, SEL1810DM<F>
LED702	87-017-733-080	0E	LED, SEL1250SM<FJ>
LED702	87-017-350-080	0E	LED, SEL1550CM<F>
LED703	87-017-733-080	0E	LED, SEL1250SM<FJ>
LED703	87-017-350-080	0E	LED, SEL1550CM<F>
LED704	87-017-350-080	0E	LED, SEL1550CM<FJ>
LED704	87-017-806-010	0E	LED, SEL1810DM<F>
T-T C.B			
C401	87-018-214-089	0E	CAP TC U 0.1-50 F
FC401	84-ZG1-614-119	1A	CABLE PFC 5P-1.25
M401	87-045-364-019	1D	MOTOR, (BCH3B14)
PS401	87-026-573-019	1B	P-SNSR, GP1S53V

○ チップ抵抗部品コード / CHIP RESISTOR PART CODE

チップ抵抗部品コードの成り立ち
Chip Resistor Part Coding



チップ抵抗
Chip resistor

容量 Wattage	種類 Type	許容誤差 Tolerance	記号 Symbol	寸法 / Dimensions (mm)			抵抗コード : A Resistor Code: A	
				外形 / Form	L	W		t
1/16W	1608	±5%	CJ		1.6	0.8	0.45	108
1/10W	2125	±5%	CJ		2	1.25	0.45	118
1/8W	3216	±5%	CJ		3.2	1.6	0.55	128

4ZG-1<G, D, F, FJ, R, V, VI, CR> と共通部分は、下記のページを参照して下さい。

Refer to the following pages for the 4ZG-1<G, D, F, FJ, R, V, VI and CR> and the common sections.

■ IC DESCRIPTION

CXA1782BQ	17 ページ参照 See Page 23
LC7872E	21 ページ参照 See Page 27

■ IC BLOCK DIAGRAM

TA2058F LC32464P-80	29 ページ参照 See Page 29
TA7291S	30 ページ参照 See Page 30

■ ELECTRICAL ADJUSTMENT

33 ページを参照して下さい。
See Page 36.

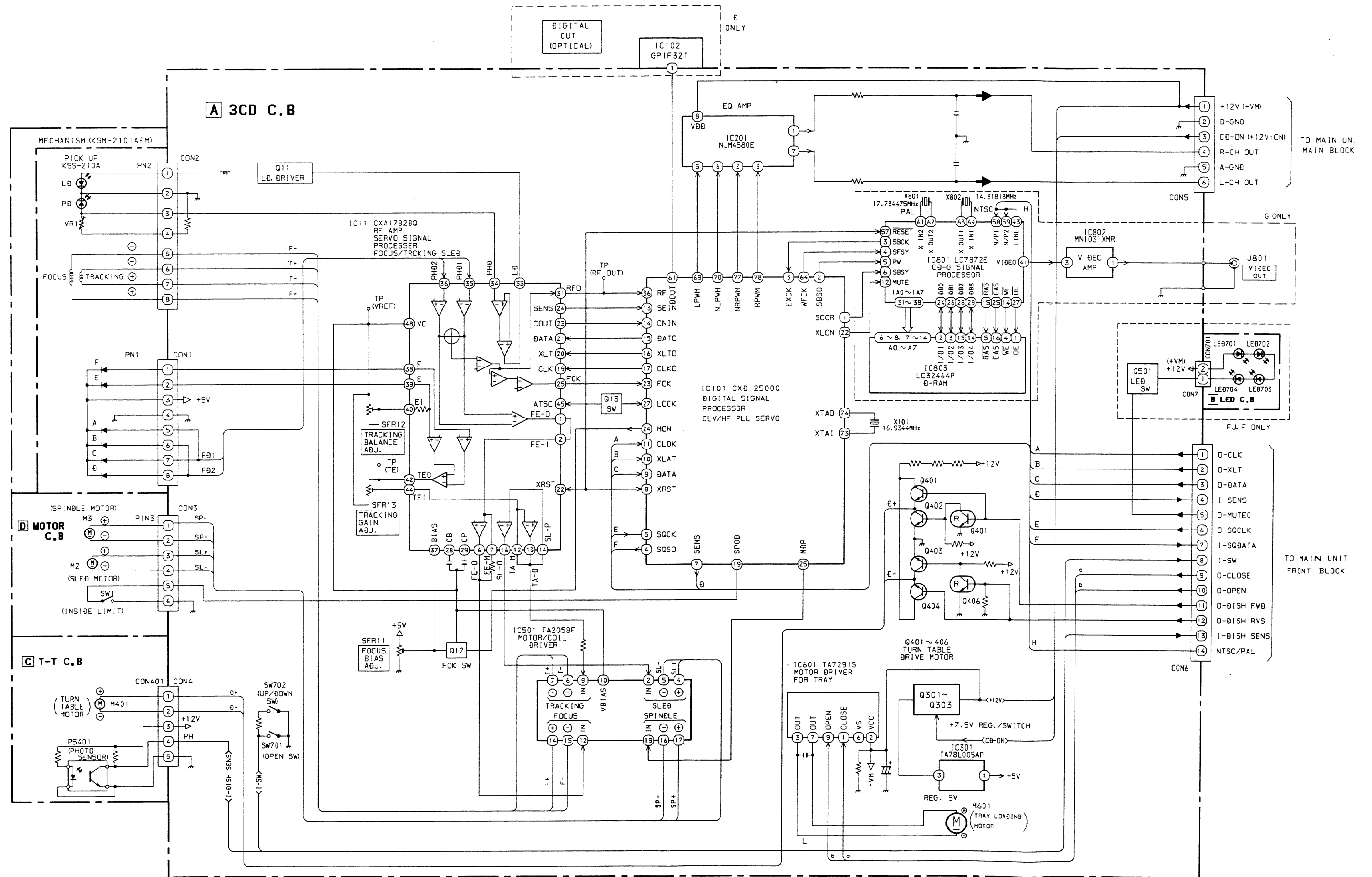
■ MECHANICAL EXPLODED VIEW 1 / 1

38 ページを参照して下さい。
See Page 38.

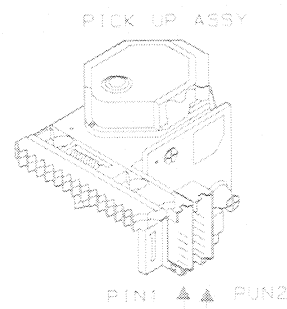
■ MECHANICAL PARTS LIST 1 / 1

39 ページを参照して下さい。
See Page 39.

BLOCK DIAGRAM



A
B
C
D
E
F
G
H
I
J
K

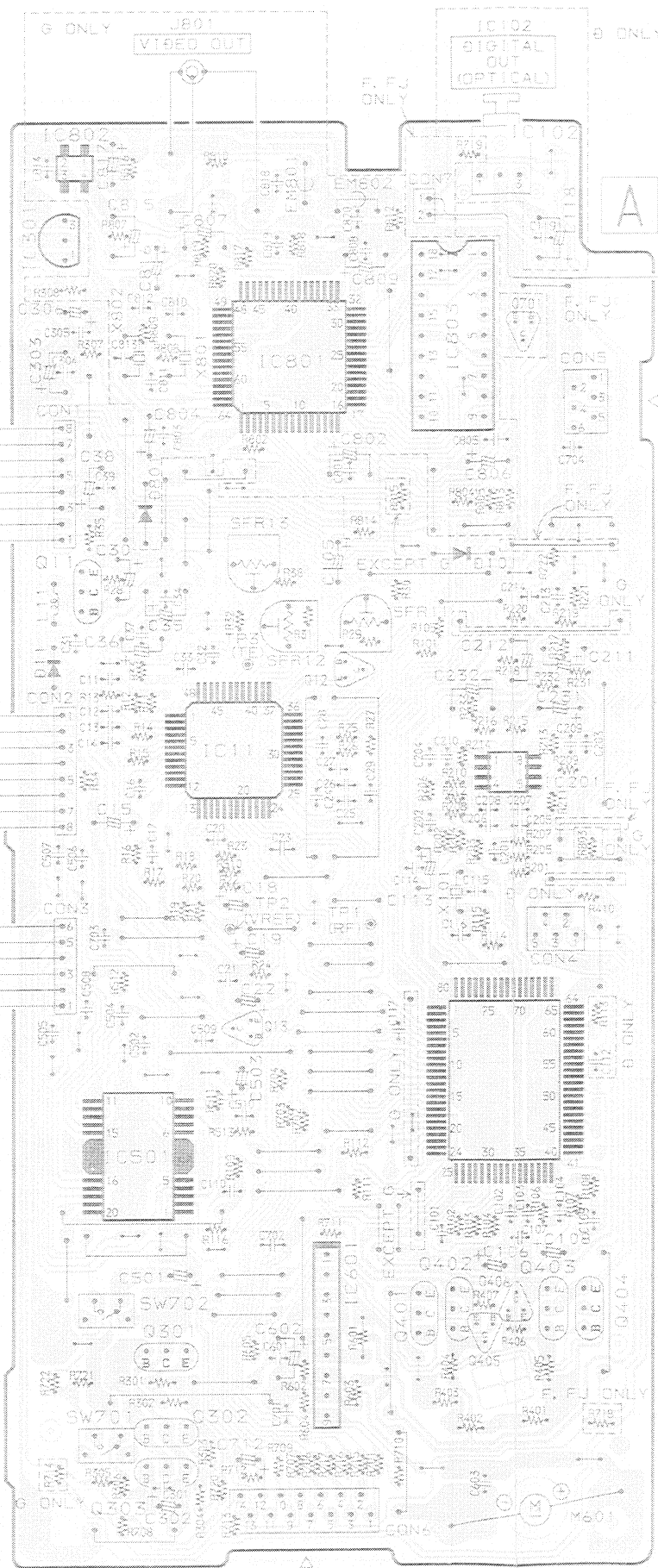
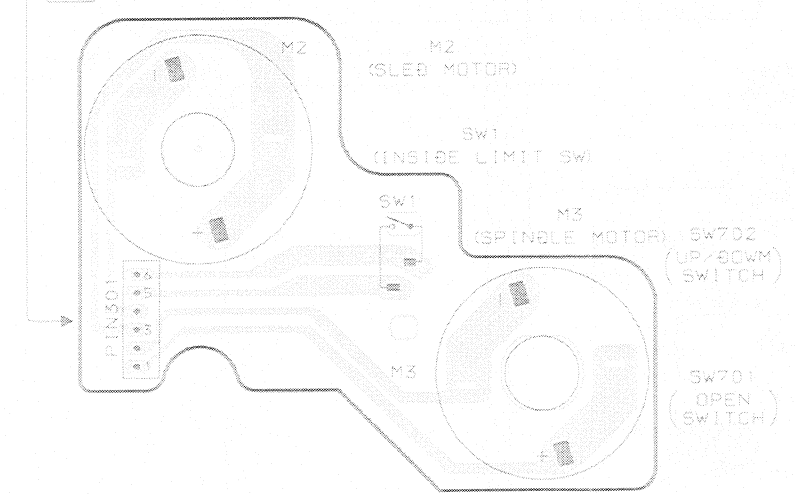


A 3CD C.B

MOTOR C.B

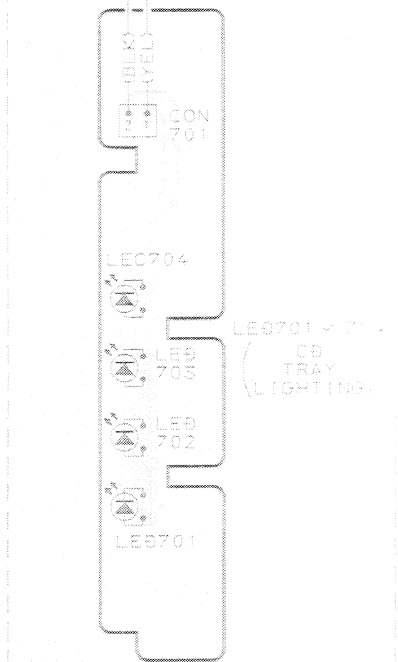
B LED C.B

C T-T C.B

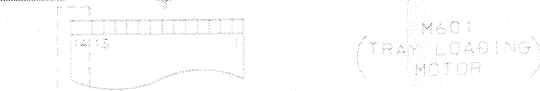
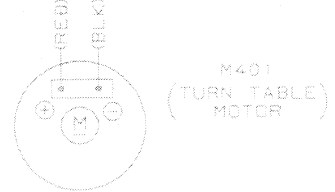
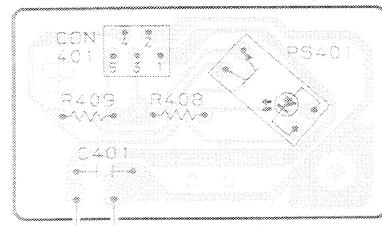


FROM MAIN UNIT MAIN BLOCK (EACH MODEL)

F, FJ ONLY

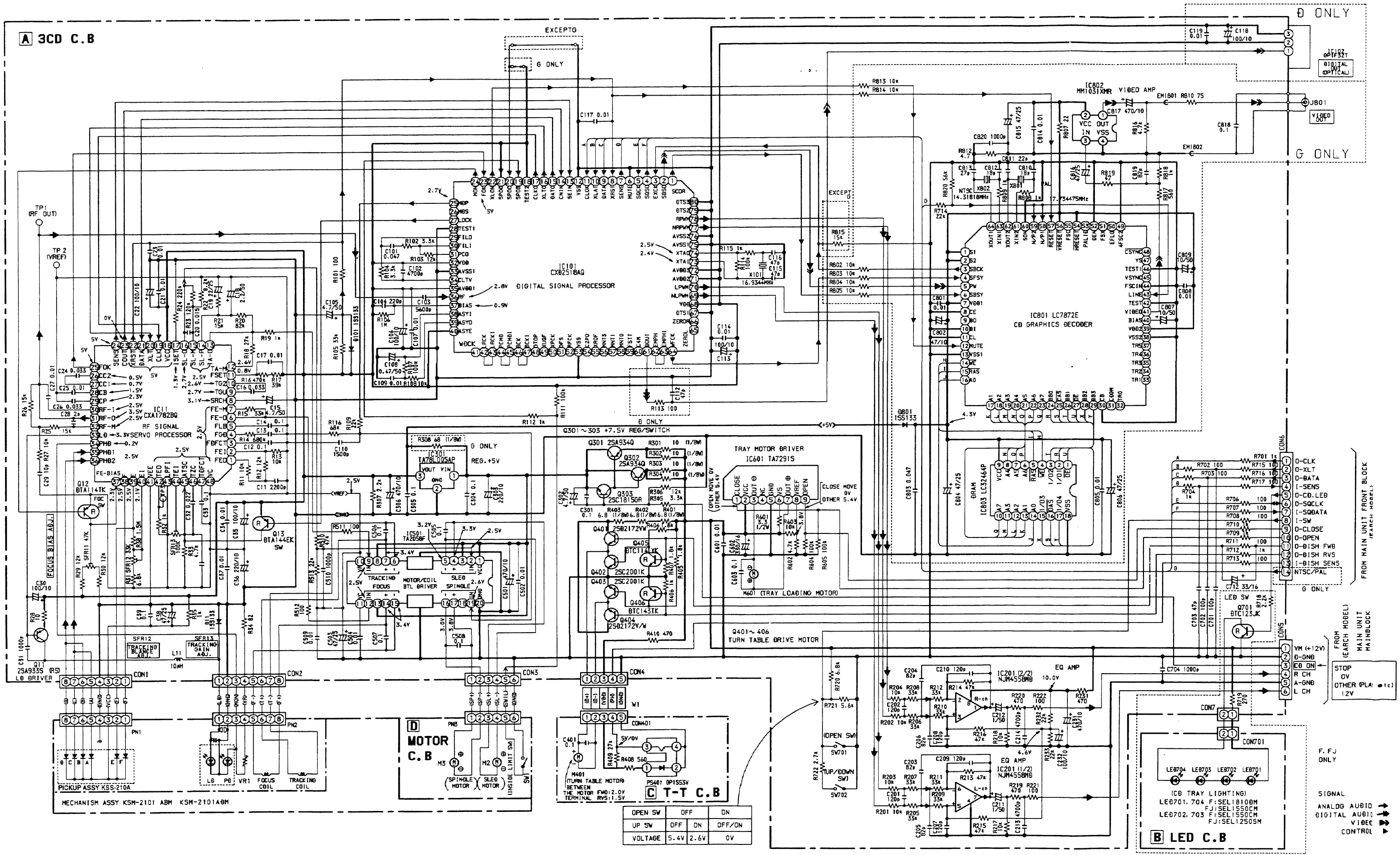


FC401



FROM MAIN UNIT FRONT BLOCK (EACH MODEL)

SCHEMATIC DIAGRAM



IC DESCRIPTION

IC, CXD2508AQ

端子番号	端子名称	I/O	機能説明
1	SCOR	O	サブコードシンク S0 か S1 どちらか検出された時 H。
2	SBSO	O	SUBP~W のシリアル出力。
3	EXCK	I	SBSO リード・アウト用クロック入力。
4	SQSO	O	SUBQ 80BIT のシリアル出力。
5	SQCK	I	SQSO リード・アウト用クロック入力。
6	MUTE	I	H でミュート、L で解除。
7	SENS	O	SENS 出力、CPU へ出力。
8	XRST	I	システムリセット、L でリセット。
9	DATA	I	CPU よりシリアルデータ入力。
10	XLAT	I	CPU よりラッチ入力、立ち下がりでシリアルデータをラッチ。
11	CLOK	I	CPU よりシリアルデータ転送クロック入力。
12	VSS	—	GND 端子。
13	SEIN	I	SSP よりセンス入力。
14	CNIN	I	トラックジャンプ数カウント信号入力。
15	DATO	O	SSP へのシリアルデータ出力。
16	XLTO	O	SSP へのシリアルデータラッチ出力、立ち下がりでラッチ。
17	CLKO	O	SSP へのシリアルデータ転送クロック出力。
18、20	SPOA、C	I	マイコン拡張インターフェース。
19	XTSL	I	Xtal 選択入力端子。Xtal が 16.9344MHz の時 L、33.8688MHz の時 H にする。
22	XLON	O	マイコン拡張インターフェース。
23	FOK	I	フォーカス OK 入力端子、SENS 出力とサーボ・オートシーケンサに用いる。
24	MON	O	スピンドルモータの ON/OFF コントロール出力。
25	MDP	O	スピンドルモータのサーボ制御。
26	MDS	O	スピンドルモータのサーボ制御。
27	LOCK	O	GFS を 460Hz でサンプリングし、GFS が H の時 H 出力、8 回連続 L の時 L 出力。
28	TEST1	I	TEST 用端子。(GND へ接続)
29	FILO	O	マスター PLL 用 (スレーブ=デジタル PLL) フィルター出力。
30	FILI	I	マスター PLL 用フィルター入力。
31	PCO	O	マスター PLL 用チャージポンプ出力。
32	VDD	—	電源端子。(+5V)
33	AVSS1	—	GND 端子。
34	CLTV	I	マスター PLL 用 VCO コントロール電圧入力。
35	AVDD1	—	電源端子。(+5V)
36	RF	I	EFM 信号入力。
37	BIAS	I	アシンメトリ補正回路定電流入力。
38	ASYI	I	アシンメトリ補正回路コンパレート電圧入力。
39	ASYO	O	EFM フルスイング出力。(L=VSS、H=VDD)
40	ASYE	I	L: アシンメトリ補正 OFF、H: アシンメトリ補正 ON。
41	WDCK	O	48bit スロット用 D/A インターフェイス、ワードクロック (2Fs)。
42	LRCK	O	48bit スロット用 D/A インターフェイス、LR クロック (Fs)。

端子番号	端子名称	I/O	機能説明
43	LRCKI	I	DAC への LR クロック入力。(48bit スロット)
44	PCMD	O	D/A インターフェイス、シリアルデータ。(2' COMP, MSB ファースト)
45	PCMDI	I	DAC へのオーディオデータ入力。(48bit スロット)
46	BCK	O	D/A インターフェイス、ビットクロック。
47	BCKI	I	DAC へのビットクロック入力。(48bit スロット)
48	GTOP	O	GTOP 出力。
49	XUGF	O	XUGF 出力。
50	XPCK	O	XPLCK 出力。
51	GFS	O	GFS 出力。
52	RFCK	O	RFCK 出力。
53	VSS	—	GND 端子。
54	C2PO	O	C2PO 出力。
55	XROF	O	XRAOF 出力。
56	MNT3	O	MNT3 出力。
57	MNT1	O	MNT1 出力。
58	MNT0	O	MNT0 出力。
59	FSST	O	73,74 端子の 2/3 分周出力。
60	C4M	O	4.2336MHz 出力。
61	DOUT	O	Digital Out 出力端子。
62	EMPH	O	再生ディスクがエンファシス有りの時 H、無しの時 L。
63	EMPHI	I	DAC のディエンファシス ON/OFF、H で ON、L で OFF。
64	WFCK	O	WFCK (WRITE FRAME CLOCK) 出力。
65	ZEROL	O	無音データ検出出力、無音データ検出時 "H" (Lch)。
66	ZEROR	O	無音データ検出出力、無音データ検出時 "H" (Rch)。
67	DTSI	I	DAC 用テスト端子。(通常 L)
68	VDD	—	電源端子。(+5V)
69	NLPWM	O	Lch PWM 出力。(正相)
70	LPWM	O	Lch PWM 出力。(逆相)
71	AVDD2	—	Lch PWM ドライバ用電源。(+5V へ接続)
72	AVDD3	—	Xtal 用電源。(+5V へ接続)
73	XTAI	I	33.8688MHz の Xtal 発振回路入力。
74	XTAO	O	33.8688MHz の Xtal 発振回路出力。
75	AVSS1	—	Xtal への GND 入力。(GND へ接続)
76	AVSS2	—	PWM ドライバへの GND 入力。(GND へ接続)
77	NRPWM	O	Rch PWM 出力。(逆相)
78	RPWM	O	Rch PWM 出力。(正相)
79	DTS2	I	DAC 用テスト端子 2。(通常 L)
80	DTS3	I	DAC 用テスト端子 3。(通常 L)

IC, CXD2508AQ

Pin No.	Pin name	I/O	Description
1	SCOR	O	IH when the subcode sync S0 or S1 is detected.
2	SBSO	O	SUBP~W serial output.
3	EXCK	I	Clock input for SBSO read out.
4	SQSO	O	SUBQ 80-bit serial output.
5	SQCK	I	Clock input for SQSO read out.
6	MUTE	I	H to mute. L to cancel.
7	SENS	O	SENS signal output to CPU.
8	XRST	I	System reset. L to reset.
9	DATA	I	Serial data input from CPU .
10	XLAT	I	Latch input from CPU. Latching serial data at fall down.
11	CLOK	I	Clock input from CPU to transfer serial data.
12	VSS	—	GND.
13	SEIN	I	SENS input from SSP.
14	CNIN	I	Numbers of track jump are counted and input.
15	DATO	O	Serial data output to SSP.
16	XLTO	O	Serial data latched output to SSP. Latched at fall down edge.
17	CLKO	O	Clock input from SSP to transfer serial data.
18, 20	SPOA, C	I	Microprocessor expansion interface.
19	XTSL	I	X'tal selection input terminal. "L" at 16.9344MHz X'tal. "H" at 33.86888MHz.
22	XLON	O	Microprocessor expansion interface.
23	FOK	I	Focus OK input pin. Used for SENS output and servo auto sequencer.
24	MON	O	Spindle motor ON/OFF control output.
25	MDP	O	Spindle motor servo control output.
26	MDS	O	Spindle motor servo control output.
27	LOCK	O	GFS is sampled by 460Hz. H output when GFS is H. L output when GFS is L for 8 consecutive times.
28	TEST1	I	TEST. (Connected to GND)
29	FILO	O	Filter output to master PLL. (slave=digital PLL)
30	FILI	I	Filter input to master PLL.
31	PCO	O	Charge-pump output to master PLL.
32	VDD	—	Power supply input. (+5V)
33	AVSS1	—	GND.
34	CLTV	I	VCO control voltage input to master PLL.
35	AVDD1	—	Power supply input. (+5V)
36	RF	I	EFM signal input.
37	BIAS	I	Constant current input to asymmetry correction circuit.
38	ASYI	I	Compare voltage input to asymmetry correction circuit.
39	ASYO	O	EFM full swing output. (L=VSS, H=VDD)
40	ASYE	I	L: asymmetry correction OFF. H: asymmetry correction ON
41	WDCK	O	D/A interface, word clock (2Fs) for 48-bit slot.
42	LRCK	O	D/A interface, LR clock (Fs) for 48-bit slot.

Pin No.	Pin name	I/O	Description
43	LRCKI	I	LR clock input to DAC. (48-bit slot)
44	PCMD	O	D/A interface, serial data. (2's complement, MSB first)
45	PCMDI	I	Audio data input to DAC. (48-bit slot)
46	BCK	O	D/A interface, bit clock.
47	BCKI	I	Bit clock input to DAC. (48-bit slot)
48	GTOP	O	GTOP output.
49	XUGF	O	XUFG output.
50	XPCK	O	XPLCK output.
51	GFS	O	GFS output.
52	RFCK	O	RFCK output.
53	VSS	—	GND.
54	C2PO	O	C2PO output.
55	XROF	O	XRAOF output.
56	MNT3	O	MNT3 output.
57	MNT1	O	MNT1 output.
58	MNT0	O	MNT0 output.
59	FSTT	O	Pins-73 and -74 divided-by 2/3 output.
60	C4M	O	4.2336MHz output.
61	DOUT	O	Digital Out connector output signal.
62	EMPH	O	H when the playback disc has emphasis. L when it does not.
63	EMPHI	I	DAC emphasis ON/OFF. H when ON. L when OFF
64	WFCK	O	WFCK (WRITE FRAME CLOCK) output.
65	ZEROL	O	No sound data detection output. H (L-ch) when no sound data is detected.
66	ZEROR	O	No sound data detection output. H (R-ch) when no sound data is detected.
67	DTSI	I	TEST for DAC. (Normally "L")
68	VDD	—	Power supply input. (+5V)
69	NLPWM	O	L-ch PWM output. (reversed polarity)
70	LPWM	O	L-ch PWM output. (normal polarity)
71	AVDD2	—	Power supply input to L-ch PWM driver. (Connected to +5V)
72	AVDD3	—	Power supply input to X'tal. (Connected to +5V)
73	XTAI	I	X'tal input to 33.8688MHz oscillator circuit.
74	XTAO	O	33.8688MHz X'tal oscillator circuit output.
75	AVSS1	—	GND input to X'tal. (Connected GND)
76	AVSS2	—	GND input to PWM driver. (Connected to GND)
77	NRPWM	O	R-ch PWM output. (reversed phase)
78	RPWM	O	R-ch PWM output. (normal phase)
79	DTS2	I	TEST-2 for DAC. (Normally "L")
80	DTS3	I	TEST-3 for DAC. (Normally "L")

4ZG-1T

ELECTRICAL MAIN PARTS LIST

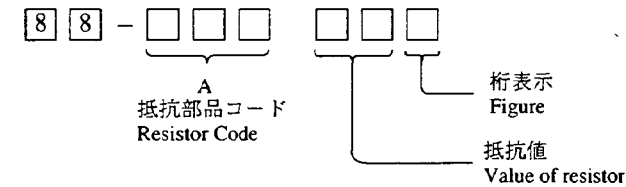
DESCRIPTION で判断できない物は "REFERENCE NAME LIST" を参照してください。
If can't understand for Description please kindly refer to "REFERENCE NAME LIST".

REF. NO.	PART NO.	カンリ NO.	DESCRIPTION	REF. NO.	PART NO.	カンリ NO.	DESCRIPTION
IC							
	87-002-407-010	1H	IC,TA8191F	C108	87-010-197-029	0E	C-CAP,S 0.01-25 B
	87-070-101-010	2P	IC,TC9284AF	C109	87-010-248-089	0E	CAP,E 220-10 SME
	87-017-825-019	1E	IC,GP1F32T<D>	C110	87-010-263-089	0E	CAP,E 100-10 SME
	87-017-888-089	1A	IC,NJM4558MD	C111	87-010-178-029	0E	C-CAP,S 1000P-50 B
	87-020-501-089	1A	IC,TA78L005AP	C112	87-010-197-029	0E	C-CAP,S 0.01-25 B
	87-017-801-080	1H	IC,TA2058F	C113	87-010-184-029	0E	C-CAP,S 3300P-50 B
	87-001-982-019	1B	IC,TA7291S	C114	87-010-263-049	0E	CAP,E 100-10
	87-017-802-010	2Y	IC,LC7872E<G>	C115	87-010-197-029	0E	C-CAP,S 0.01-25 B
	87-017-803-010	2A	IC,LC32464P-80<G>	C116	87-010-197-029	0E	C-CAP,S 0.01-25 B
				C117	87-010-322-029	0E	C-CAP,S 100P-50 CH
TRANSISTOR							
	87-026-463-089	0E	TR,2SA933S (RS)	C118	87-010-263-089	0E	CAP,E 100-10 SME<D>
	87-026-297-089	0E	C-TR,DTA144TK	C119	87-010-197-089	0E	C-CAP,S 0.01-25 B<D>
	89-109-521-089	0E	TR,2SA952K	C120	87-010-314-029	0E	C-CAP,S 22P-50 CH
	89-327-124-089	0E	C-TR,2SC2712Y	C121	87-010-314-029	0E	C-CAP,S 22P-50 CH
	89-421-722-389	0E	TR,2SD2172V/W	C122	87-010-318-029	0E	C-CAP,S 47P-50 CH<D>
	89-320-011-089	0E	TR,2SC2001K	C123	87-010-197-029	0E	C-CAP,S 0.01-25 B
	87-026-223-089	0E	C-TR,DTC143TK	C124	87-010-184-029	0E	C-CAP,S 3300P-50 B
	87-026-608-089	0E	C-TR,DTC 123 JK<F,FJ>	C125	87-010-805-029	0E	C-CAP,S 1-16F
	89-406-555-089	0E	TR,2SD655E<G>	C201	87-010-318-029	0E	C-CAP,S 47P-50 CH
	87-026-239-089	0E	C-TR,DTC114TK<G>	C202	87-010-318-029	0E	C-CAP,S 47P-50 CH
				C203	87-010-321-089	0E	C-CAP,S 82P-50 CH
				C204	87-010-321-089	0E	C-CAP,S 82P-50 CH
				C205	87-010-321-089	0E	C-CAP,S 82P-50 CH
				C206	87-010-321-089	0E	C-CAP,S 82P-50 CH
				C207	87-012-153-089	0E	C-CAP,S 120P-50 CH
				C208	87-012-153-089	0E	C-CAP,S 120P-50 CH
				C209	87-012-153-089	0E	C-CAP,S 120P-50 CH
				C210	87-012-153-089	0E	C-CAP,S 120P-50 CH
				C211	87-010-403-089	0E	CAP,E 3.3-50 SME
				C212	87-010-403-089	0E	CAP,E 3.3-50 SME
				C213	87-010-186-089	0E	C-CAP,S 4700P-50 B
				C214	87-010-186-089	0E	C-CAP,S 4700P-50 B
				C231	87-010-221-089	0E	CAP,E 470-10
				C232	87-010-263-089	0E	CAP,E 100-10 SME
				C301	87-010-196-089	0E	C-CAP,S 0.1-25 F
				C302	87-010-404-049	0E	CAP,E 4.7-50 SME
				C303	87-010-248-089	0E	CAP,E 220-10 SME
				C304	87-010-196-089	0E	C-CAP,S 0.1-25 F
				C305	87-010-196-089	0E	C-CAP,S 0.1-25 F
				C306	87-010-374-049	0E	CAP,E 47-10
				C501	87-016-459-049	0E	CAP,E 470-10 SMG
				C502	87-010-197-089	0E	C-CAP,S 0.01-25 B
				C503	87-010-374-049	0E	CAP,E 47-10
				C504	87-010-197-089	0E	C-CAP,S 0.01-25 B
				C505	87-010-196-089	0E	C-CAP,S 0.1-25 F
				C506	87-010-196-089	0E	C-CAP,S 0.1-25 F
				C507	87-010-196-089	0E	C-CAP,S 0.1-25 F
				C508	87-010-196-089	0E	C-CAP,S 0.1-25 F
				C509	87-010-197-089	0E	C-CAP,S 0.01-25 B
				C601	87-010-197-089	0E	C-CAP,S 0.01-25 B
				C602	87-010-381-089	0E	CAP,E 330-16 SME
				C603	87-010-196-089	0E	C-CAP,S 0.1-25 F
				C707	87-010-178-029	0E	C-CAP,S 1000P-50 B
				C801	87-010-197-089	0E	C-CAP,S 0.01-25 B<G>
				C802	87-010-374-049	0E	CAP,E 47-10<G>
				C803	87-010-194-089	0E	C-CAP,S 0.047-25 F<G>
				C804	87-010-374-089	0E	CAP,E 47-10<G>
				C805	87-010-197-029	0E	C-CAP,S 0.01-25 B<G>
				C806	87-010-374-089	0E	CAP,E 47-10<G>
				C807	87-010-405-089	0E	CAP,E 10-50 SME<G>
				C808	87-010-197-089	0E	C-CAP,S 0.01-25 B<G>
				C809	87-010-405-089	0E	CAP,E 10-50 SME<G>
				C810	87-010-313-089	0E	C-CAP,S 18P-50 CH<G>

REF. NO.	PART NO.	カンリ NO.	DESCRIPTION	REF. NO.	PART NO.	カンリ NO.	DESCRIPTION
C811	87-010-314-089	0E	C-CAP,S 22P-50 CH<G>	SW402	87-036-109-019	0E	SW,PUSH SPPB 61
C812	87-010-313-089	0E	C-CAP,S 18P-50 CH<G>	X101	87-030-402-089	1B	VIB,XTAL 16.9344 MHZ
C813	87-010-315-089	0E	C-CAP,S 27P-50 CH<G>	X801	80-JUC-602-080	1C	VIB,XTAL 17.73MHZ<G>
C814	87-010-197-089	0E	C-CAP,S 0.01-25 B<G>	X802	80-JUC-601-080	1C	VIB,XTAL 14.31MHZ<G>
C815	87-010-374-089	0E	CAP,E 47-10<G>				
C816	87-010-404-089	0E	CAP,E 4.7-50 SME<G>				LED C.B<F,FJ>
C817	87-010-221-089	0E	CAP,E 470-10<G>	LED701	87-017-350-080	0E	LED,SEL1550CM<FJ>
C818	87-010-196-089	0E	C-CAP,S 0.1-25 F<G>	LED701	87-017-806-010	0E	LED,SEL1810DM<F>
C819	87-010-321-089	0E	C-CAP,S 82P-50 CH<G>	LED702	87-017-733-080	0E	LED,SEL1250SM<FJ>
C820	87-010-178-089	0E	C-CAP,S 1000P-50 B<G>	LED702	87-017-350-080	0E	LED,SEL1550CM<F>
				LED703	87-017-733-080	0E	LED,SEL1250SM<FJ>
C901	87-010-265-049	0E	CAP,E 33-16 SME				
EMI801	87-008-474-089	0E	F-BEAD,EMI BL02RNL<G>	LED703	87-017-350-080	0E	LED,SEL1550CM<F>
EMI802	87-008-474-089	0E	F-BEAD,EMI BL02RNL<G>	LED704	87-017-350-080	0E	LED,SEL1550CM<FJ>
FC1	84-ZG1-617-119	0E	F-CABLE,4-2.0-110<G>	LED704	87-017-806-010	0E	LED,SEL1810DM<F>
J801	87-009-502-010	1A	JACK, PIN 1PY EARTH<G>				
L2	87-003-295-089	0E	COIL,10UH				
M601	87-045-305-019	1E	MOTOR, RF-500TB				T-T C.B
SFR1	87-024-176-089	0E	SFR,100K DIA6 V				
SFR2	87-024-171-089	0E	SFR 4.7K DIA6 V	C401	87-018-214-089	0E	CAP TC U 0.1-50 F
SW401	87-036-109-019	0E	SW,PUSH SPPB 61	FC401	84-ZG1-614-119	1A	CABLE FFC 5P-1.25
				M401	87-045-364-019	1D	MOTOR,(BCH3B14)
				PS401	87-026-573-019	1B	P-SNSR,GP1S53V

○ チップ抵抗部品コード / CHIP RESISTOR PART CODE

チップ抵抗部品コードの成り立ち
Chip Resistor Part Coding



チップ抵抗 Chip resistor

容量 Wattage	種類 Type	許容誤差 Tolerance	記号 Symbol	寸法 / Dimensions (mm)			抵抗コード : A Resistor Code: A	
				外形 / Form	L	W		t
1/16W	1608	±5%	CJ		1.6	0.8	0.45	108
1/10W	2125	±5%	CJ		2	1.25	0.45	118
1/8W	3216	±5%	CJ		3.2	1.6	0.55	128

4ZG-1<G, D, F, FJ, R, V, VI, CR> と共通部分は、下記のページを参照して下さい。
Refer to the following pages for the 4ZG-1<G, D, F, FJ, R, V, VI and CR> and the common sections.

■ IC DESCRIPTION

LC7872E	21 ページ参照 See Page 27
---------	-------------------------

■ IC BLOCK DIAGRAM

TA2058F	29 ページ参照 See Page 29
LC32464P-80	30 ページ参照 See Page 30
TA7291S	See Page 30

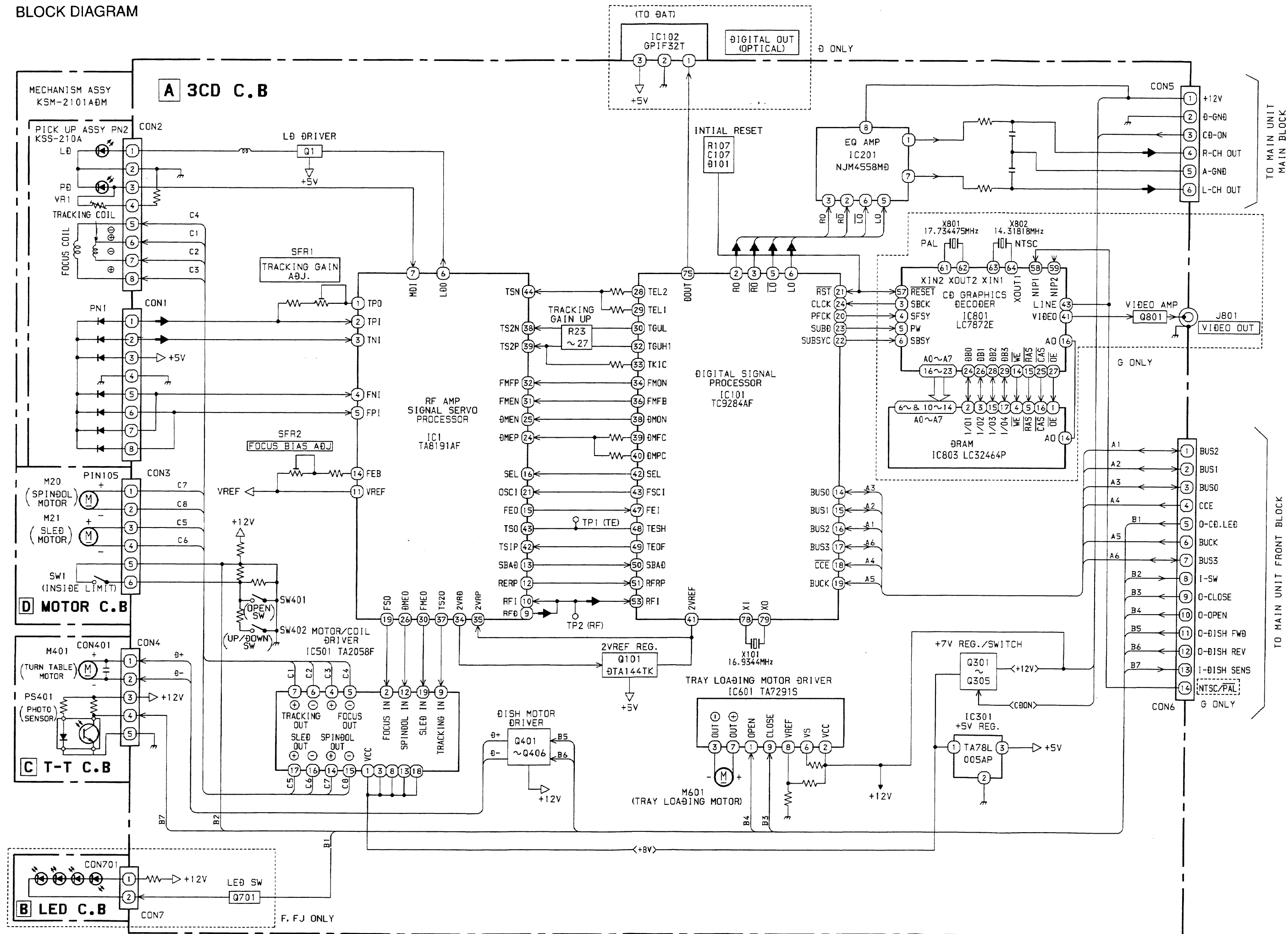
■ MECHANICAL EXPLODED VIEW 1 / 1

38 ページを参照して下さい。
See Page 38.

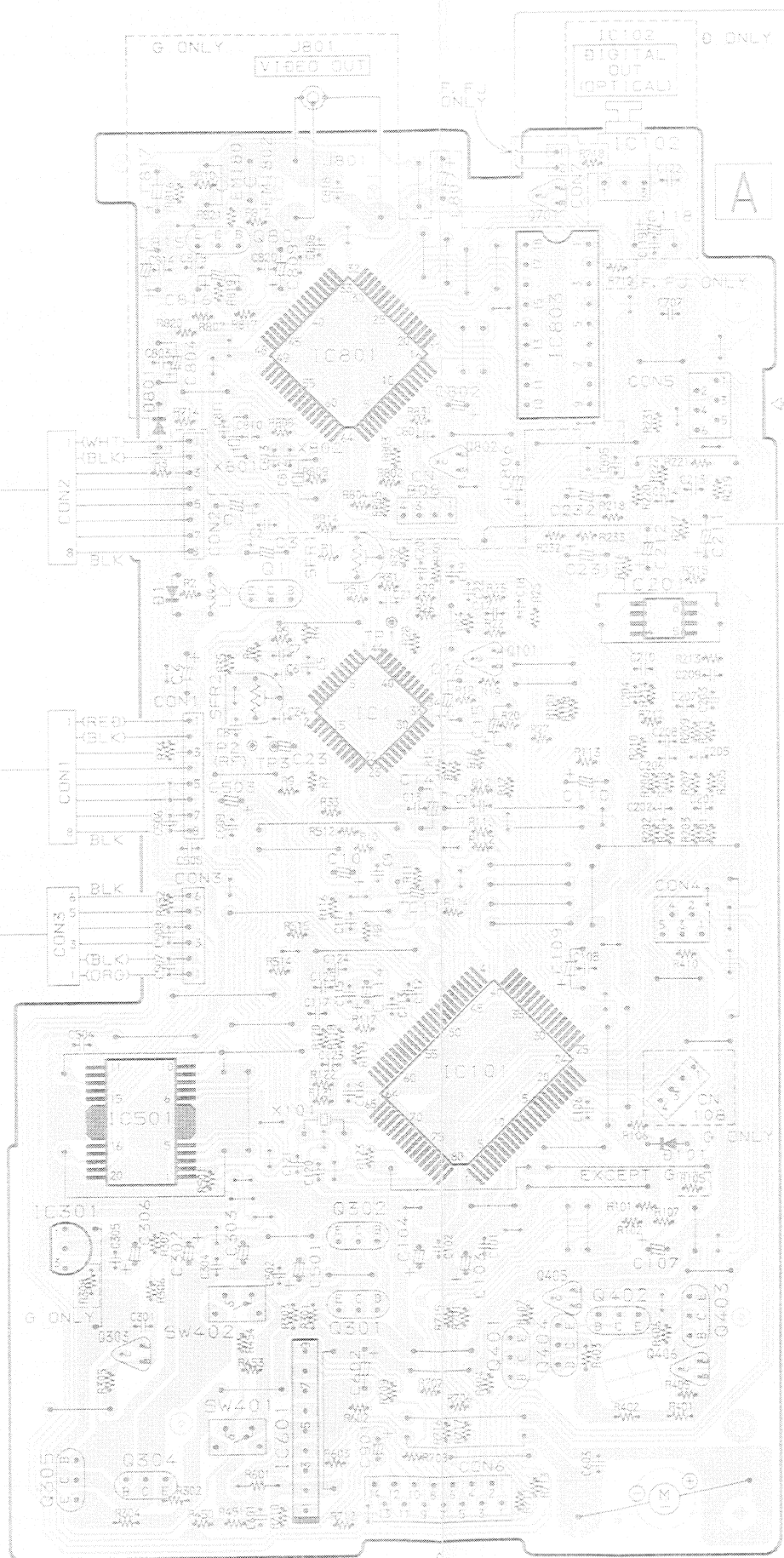
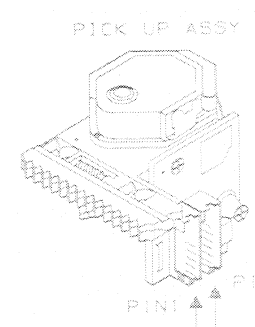
■ MECHANICAL PARTS LIST 1 / 1

39 ページを参照して下さい。
See Page 39.

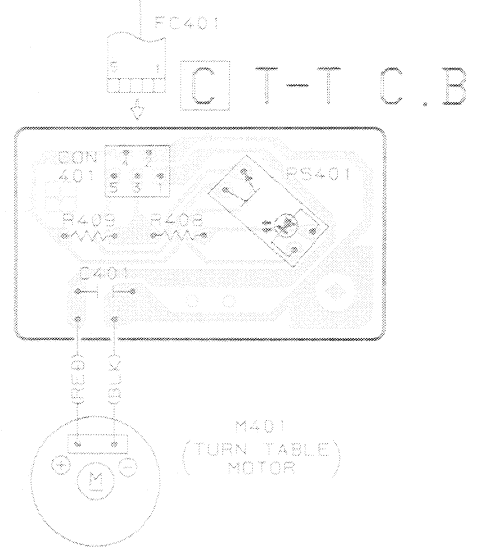
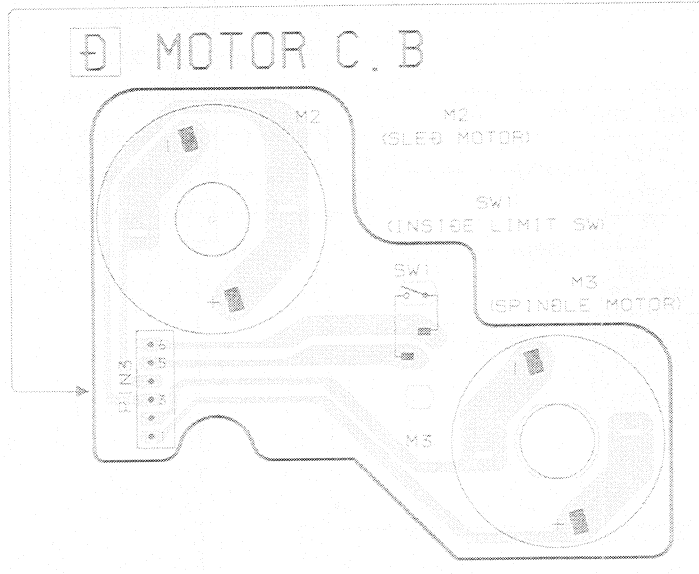
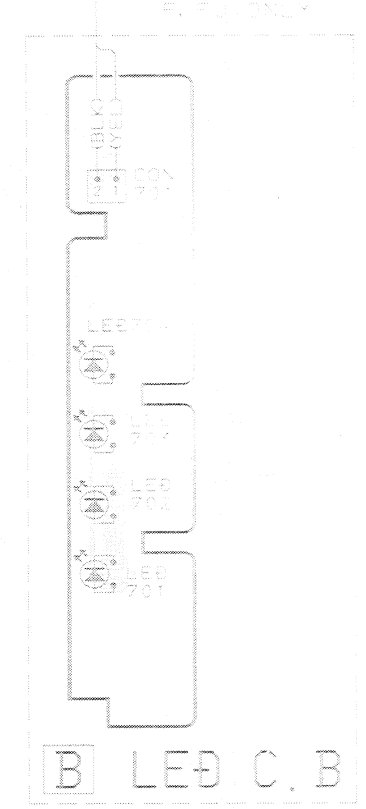
BLOCK DIAGRAM



A
B
C
D
E
F
G
H
I
J
K

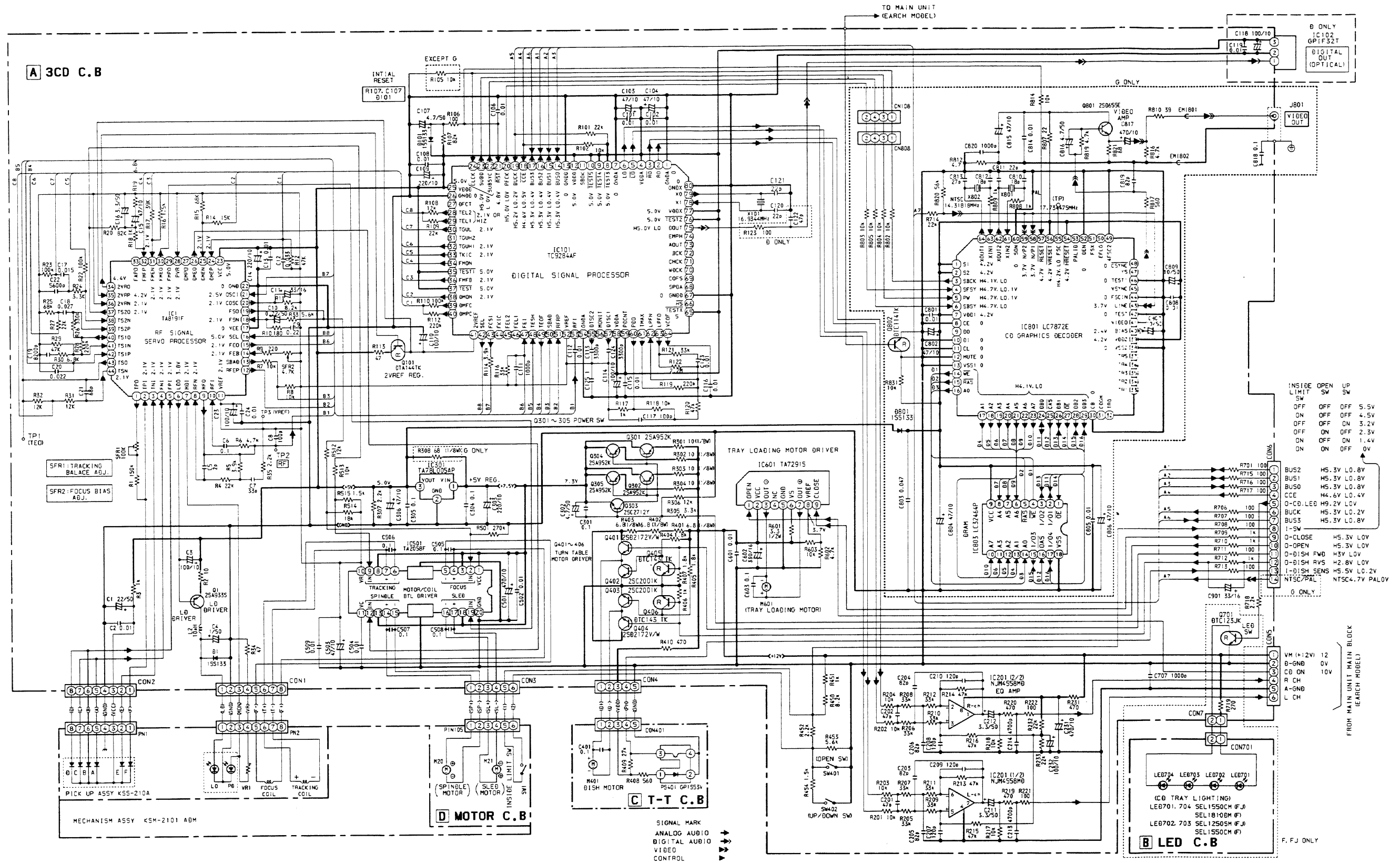


A 3CØ C.B



FROM MAIN UNIT FRONT BLOCK (EACH MODEL)

SCHEMATIC DIAGRAM



IC DESCRIPTION

IC, TA8191F

端子番号	端子名称	I/O	機能説明
1	TPO	O	サブビーム I-V アンプ (TP AMP) 出力端子。
2	TPI	I	サブビーム I-V アンプ (TP AMP) 入力端子。
3	TNI	I	サブビーム I-V アンプ (TP AMP) 入力端子。
4	FNI	I	メインビーム I-V アンプ (FN AMP) 入力端子。
5	FPI	I	メインビーム I-V アンプ (FP AMP) 入力端子。
6	LDO	O	レーザダイオードアンプ (LD AMP) 出力端子。
7	MDI	I	モニタフォトダイオードアンプ (MD AMP) 入力端子。
8	RFN	I	RF アンプ (RF AMP) 逆相入力端子。
9	RFO	O	RF アンプ (RF AMP) 出力端子。
10	RFI	I	RF リップル信号生成回路入力端子。
11	VREF	O	基準電圧出力端子 (+2.1V)
12	RFRP	O	RF リップル信号出力端子。
13	SBAD	O	キズ検出信号出力端子。
14	FEB	I	フォーカスエラーバランス調整入力端子。
15	FEO	O	フォーカスエラーアンプ (FE AMP) 出力端子。
16	SEL	I	アナログスイッチコントロール信号入力端子。
17	VEE	—	電源端子。(TA8190F; -5V TA8191F; GND)
18	FSN	I	フォーカス出力アンプ (FS AMP) 逆相入力端子。
19	FSO	O	フォーカス出力アンプ (FS AMP) 出力端子。
20	COSC	O	フォーカスサーチ信号生成用コンデンサ接続端子。
21	OSCI	I	フォーカスサーチ信号生成用内蔵電流源コントロール入力端子。
22	GND	—	グランド端子。
23	VCC	I	電源端子 (+5V)
24	DMEP	I	ディスクモータアンプ (DM AMP) 正相入力端子。
25	DMEN	I	ディスクモータアンプ (DM AMP) 逆相入力端子。
26	DMEO	O	ディスクモータアンプ (DM AMP) 出力端子。
27	DMPO	O	ディスクモータ駆動アンプ (DMP AMP) 出力端子。(未使用)
28	PVR	I	駆動アンプ基準電圧入力端子。
29	FMPO	O	フィードモータ駆動アンプ (FMP AMP) 出力端子。(未使用)
30	FMEO	O	フィードモータアンプ (FM AMP) 出力端子。
31	FMEN	I	フィードモータアンプ (FM AMP) 逆相入力端子。
32	FMEP	O	フィードモータアンプ (FM AMP) 正相入力端子。
33	FAPO	O	フォーカスアクチュエータ駆動アンプ (FAP AMP) 出力端子。(未使用)
34	2VRO	I	2VREF アンプ (2VREF AMP) 出力端子。
35	2VRP	I	2VREF アンプ (2VREF AMP) 正相入力端子。
36	2VRN	I	2VREF アンプ (2VREF AMP) 逆相入力端子。
37	TS2O	O	トラッキングサーボアンプ 2 (TS2 AMP) 出力端子。
38	TS2N	I	トラッキングサーボアンプ 2 (TS2 AMP) 逆相入力端子。
39	TS2P	I	トラッキングサーボアンプ 2 (TS2 AMP) 正相入力端子。
40	TS1O	O	トラッキングサーボアンプ 1 (TS1 AMP) 出力端子。
41	TS1N	I	トラッキングサーボアンプ 1 (TS1 AMP) 逆相入力端子。

端子番号	端子名称	I/O	機能説明
42	TS1P	I	トラッキングサーボアンプ 1 (TS1 AMP) 正相入力端子。
43	TSO	O	トラッキング出力アンプ (TS AMP) 出力端子。
44	TSN	I	トラッキング出力アンプ (TS AMP) 逆相入力端子。

IC, TC9284F

端子番号	端子名称	I/O	機能説明
1	GND _A	—	DA変換部Rチャンネル用アナロググランド端子。
2	RO	O	Rチャンネルデータ正転出力端子。
3	\overline{RO}	O	Rチャンネルデータ反転出力端子。
4	VDA	—	DA変換部電源端子。
5	\overline{LO}	O	Lチャンネルデータ反転出力端子。
6	LO	O	Lチャンネルデータ正転出力端子。
7	GND _A	—	DA変換部Lチャンネル用アナロググランド端子。
8	$\overline{TEST3}$	I	テスト端子。通常“H”またはオープン。
9	$\overline{TEST4}$	I	テスト端子。通常“H”またはオープン。
10	$\overline{TEST5}$	I	テスト端子。通常“H”またはオープン。
11	SBOK	O	サブコードQデータのCRCC判定結果出力端子。判定結果OKの時“H”。
12	VDDD	—	デジタル電源電圧端子。(+5V)
13	GNDD	—	デジタルグランド端子。
14	BUS0	I/O	マイコンインタフェース用データ入出力端子。
15	BUS1	I/O	マイコンインタフェース用データ入出力端子。
16	BUS2	I/O	マイコンインタフェース用データ入出力端子。
17	BUS3	I/O	マイコンインタフェース用データ入出力端子。
18	\overline{CCE}	I	マイコンインタフェース用チップイネーブル信号入力端子。“L”の時、BUS3~0がアクティブ。
19	BUCK	I	マイコンインタフェース用クロック入力端子。
20	PFCK	O	再生系フレームシンク信号出力端子。
21	RST	I	リセット信号入力端子。リセット時“L”。
22	SUBSYC	O	サブコードブロックシンク出力端子。サブコードシンクが検出された時、S1の位置で“H”。
23	SUBD	O	サブコードP~W出力端子。
24	CLCK	I	サブコードP~Wデータ読み出しクロック入力端子。
25	VDDD	—	デジタル電源電圧端子。(+5V)
26	GNDD	—	デジタルグランド端子。
27	DFCT	O	ディフェクト検出信号出力端子。ディフェクト検出時“VREF”通常“HIZ”。
28	TEL2	O	トラッキングゲイン調整用アナログスイッチ出力端子。“VREF”または“HIZ”。
29	TEL1	O	
30	TGUL	O	トラッキングサーボゲインアップ用アナログスイッチ出力端子。ゲインアップ時と通常再生時の極性はコマンドにより選択可能。
31、32	TGUH1、2	O	トラッキングサーボゲインアップ用アナログスイッチ出力端子。ゲインアップ時“HIZ”、通常は“VREF”。通常再生時はTGUH1、倍速再生時は、TGUH2を使用します。
33	TKIC	O	トラッキングアクチュエータキック信号出力端子。NK1CX、CK1CX、トラッキングゲイン調整時のキック用として使用。“2VREF”で外周、“L”で内周方向へキック。通常は“HIZ”。
34	FMON	O	フィードサーボオン/オフ用アナログスイッチ出力端子。サーボオン時、“HIZ” オフ時“VREF”。

端子番号	端子名称	I/O	機能説明																
35	TEST1	I	テスト端子。通常“H”またはオープン。																
36	FMFB	O	フィードモータ FWD/BWD 送り用コントロール信号出力端子。“2VREF”で外周、“L”で内周方向へフィード。通常は“HIZ”。																
37	TEST	I	テスト端子。通常“H”またはオープン。																
38	DMON	O	ディスクモータ駆動回路のゲイン切り替え用アナログスイッチ出力端子。CLVサーボオフ時“HIZ”、オン時は、コマンドにより“HIZ/VREF”を選択可能。																
39	DMFC	O	ディスクモータ CLVサーボ用 AFC 信号出力端子。 <table border="1" style="margin-left: 20px;"> <thead> <tr> <th>動作内容</th> <th>コマンド</th> <th>DMFC 出力</th> </tr> </thead> <tbody> <tr> <td>モータ加速時</td> <td>DMFK</td> <td>“2VREF”</td> </tr> <tr> <td>CLVサーボオン時</td> <td>DMSV</td> <td>AFC 信号 (PWM)</td> </tr> <tr> <td>モータブレーキ時</td> <td>DMBK</td> <td>“L”</td> </tr> <tr> <td>CLVサーボオフ時</td> <td>DMOFF</td> <td>“VREF”</td> </tr> </tbody> </table>	動作内容	コマンド	DMFC 出力	モータ加速時	DMFK	“2VREF”	CLVサーボオン時	DMSV	AFC 信号 (PWM)	モータブレーキ時	DMBK	“L”	CLVサーボオフ時	DMOFF	“VREF”	
動作内容	コマンド	DMFC 出力																	
モータ加速時	DMFK	“2VREF”																	
CLVサーボオン時	DMSV	AFC 信号 (PWM)																	
モータブレーキ時	DMBK	“L”																	
CLVサーボオフ時	DMOFF	“VREF”																	
40	DMPC	O	ディスクモータ CLVサーボ用 APC 信号出力端子。																
41	2VREF	—	アナログ基準電源端子。(“VREF”電圧の2倍)																
42	SEL	O	サーボモード指示信号出力端子。レーザダイオード (LD) のオン/オフ、フォーカスサーボのオン/オフをコントロール。 <table border="1" style="margin-left: 20px;"> <thead> <tr> <th>SEL 出力</th> <th>LD</th> <th>フォーカスサーボ</th> <th>動作モード</th> </tr> </thead> <tbody> <tr> <td>“L”</td> <td>オフ</td> <td>オフ</td> <td>LD オフ</td> </tr> <tr> <td>“HIZ”</td> <td>オン</td> <td>オフ</td> <td>フォーカスサーチ</td> </tr> <tr> <td>“H”</td> <td>オン</td> <td>オン</td> <td>フォーカスオン (ノーマルプレイ、etc.)</td> </tr> </tbody> </table>	SEL 出力	LD	フォーカスサーボ	動作モード	“L”	オフ	オフ	LD オフ	“HIZ”	オン	オフ	フォーカスサーチ	“H”	オン	オン	フォーカスオン (ノーマルプレイ、etc.)
SEL 出力	LD	フォーカスサーボ	動作モード																
“L”	オフ	オフ	LD オフ																
“HIZ”	オン	オフ	フォーカスサーチ																
“H”	オン	オン	フォーカスオン (ノーマルプレイ、etc.)																
43	FCSI	O	フォーカスサーチモード時のフォーカスアクチュエータ駆動信号出力端子。“VDDA”でレンズがディスクから遠ざかる方向に駆動、“L”で近づく方向に駆動。通常は“HIZ”。																
44	FKIC	O	フォーカスゲイン調整モード時のフォーカスアクチュエータ駆動信号出力端子。“VDDA”でレンズがディスクから遠ざかる方向に駆動、“L”で近づく方向に駆動。通常は“HIZ”。																
45、46	FEL2、1	O	フォーカスゲイン調整用アナログスイッチ出力端子。“VREF”または“HIZ”。																
47	FEI	I	フォーカスエラー信号入力端子。																
48	TESH	I	トラッキングエラー信号サンプルホールド用アナログスイッチ入力端子。																
49	TEOF	O	トラッキングサーボ動作オン/オフ用アナログスイッチ出力端子。トラッキングサーボオフ時、“VREF”。																
50	SBAD	I	サブビーム加算信号入力端子。																
51	RFRP	I	RFリップル信号入力端子。																
52	VREF	—	アナログ基準電源端子。																
53	RFI	I	RF信号入力端子。																
54	GNDA	—	アナロググランド端子。																
55	DTSC2	O	データスライスコントロール用 EFM 信号反転出力端子。																
56	MONIT	O	内部信号モニタ用出力端子。コマンドにより EFMO、PLCK、LOCK 信号を選択可能。ミュートも可能。																

端子番号	端子名称	I/O	機能説明								
57	DTSC1	O	データスライスコントロール用 EFM 信号正転出力端子。								
58	VDDA	—	アナログ電源端子。								
59	PDCNT	I	PDO 出力コントロール端子。“L” で PDO 端子を強制的に “HIZ” に固定。“H” で通常出力。								
60	PDO	O	EFM 信号と PLCK 信号との位相誤差信号出力端子。								
61	TMAX	O	TMAX 検出結果出力端子。								
			<table border="1"> <thead> <tr> <th>TMAX 検出結果</th> <th>TMAX 出力</th> </tr> </thead> <tbody> <tr> <td>所定周期より長い</td> <td>“L”</td> </tr> <tr> <td>所定周期より短い</td> <td>“2VREF”</td> </tr> <tr> <td>所定周期内</td> <td>“HIZ”</td> </tr> </tbody> </table>	TMAX 検出結果	TMAX 出力	所定周期より長い	“L”	所定周期より短い	“2VREF”	所定周期内	“HIZ”
			TMAX 検出結果	TMAX 出力							
			所定周期より長い	“L”							
所定周期より短い	“2VREF”										
所定周期内	“HIZ”										
62	LPFN	I	ローパスフィルタ用アンプ反転入力端子。								
63	LPFO	O	ローパスフィルタ用アンプ出力端子。								
64	VCOF	O	VCO 用フィルタ端子。								
65	TESTX	I	テスト端子。通常 “H” または “L”。								
66	\overline{HS}	O	倍速モード出力端子。通常再生の時 “H”、倍速再生の時 “L” を出力する。								
67	GNDD	—	デジタルグランド端子。								
68	SPDA	O	プロセッサステータス信号出力端子。								
69	COFS	O	訂正系フレームクロック (7.35kHz) 出力端子。								
70	WDCK	O	ワードクロック (88.2kHz) 出力端子。マイコンコマンドにより SUBQ、BUFOV、IPF 信号を選択可能。								
71	CHCK	O	チャンネルクロック (44.1kHz) 出力端子。L チャンネルの時 “L”、R チャンネルの時 “H”。								
72	BCK	O	ビットクロック (1.4112MHz) 出力端子。								
73	AOUT	O	オーディオデータ出力端子。								
74	EMPH	O	エンファシスオン/オフ指示信号出力端子。エンファシスオンの時 “H”、オフの時 “L”。								
75	DOUT	O	デジタルアウト出力端子。								
76	$\overline{TEST2}$	I	テスト端子。通常 “H” またはオープン。								
77	VDDX	—	水晶発振部電源端子。								
78	XI	I	水晶発振子接続端子。(水晶発振周波数 16.9344MHz)								
79	XO	O	水晶発振子接続端子。(水晶発振周波数 16.9344MHz)								
80	GNDX	—	水晶発振部グランド端子。								

IC, TA8191F

端子番号	端子名称	I/O	機能説明
1	TPO	O	サブビーム I-V アンプ (TP AMP) 出力端子。
2	TPI	I	サブビーム I-V アンプ (TP AMP) 入力端子。
3	TNI	I	サブビーム I-V アンプ (TP AMP) 入力端子。
4	FNI	I	メインビーム I-V アンプ (FN AMP) 入力端子。
5	FPI	I	メインビーム I-V アンプ (FP AMP) 入力端子。
6	LDO	O	レーザダイオードアンプ (LD AMP) 出力端子。
7	MDI	I	モニタフォトダイオードアンプ (MD AMP) 入力端子。
8	RFN	I	RF アンプ (RF AMP) 逆相入力端子。
9	RFO	O	RF アンプ (RF AMP) 出力端子。
10	RFI	I	RF リップル信号生成回路入力端子。
11	VREF	O	基準電圧出力端子 (+2.1V)
12	RFRP	O	RF リップル信号出力端子。
13	SBAD	O	キズ検出信号出力端子。
14	FEB	I	フォーカスエラーバランス調整入力端子。
15	FEO	O	フォーカスエラーアンプ (FE AMP) 出力端子。
16	SEL	I	アナログスイッチコントロール信号入力端子。
17	VEE	—	電源端子。(TA8190F; -5V TA8191F; GND)
18	FSN	I	フォーカス出力アンプ (FS AMP) 逆相入力端子。
19	FSO	O	フォーカス出力アンプ (FS AMP) 出力端子。
20	COSC	O	フォーカスサーチ信号生成用コンデンサ接続端子。
21	OSCI	I	フォーカスサーチ信号生成用内蔵電流源コントロール入力端子。
22	GND	—	グラウンド端子。
23	VCC	I	電源端子 (+5V)
24	DMEP	I	ディスクモータアンプ (DM AMP) 正相入力端子。
25	DMEN	I	ディスクモータアンプ (DM AMP) 逆相入力端子。
26	DMEO	O	ディスクモータアンプ (DM AMP) 出力端子。
27	DMPO	O	ディスクモータ駆動アンプ (DMP AMP) 出力端子。(未使用)
28	PVR	I	駆動アンプ基準電圧入力端子。
29	FMPO	O	フィードモータ駆動アンプ (FMP AMP) 出力端子。(未使用)
30	FMEO	O	フィードモータアンプ (FM AMP) 出力端子。
31	FMEN	I	フィードモータアンプ (FM AMP) 逆相入力端子。
32	FMEP	O	フィードモータアンプ (FM AMP) 正相入力端子。
33	FAPO	O	フォーカスアクチュエータ駆動アンプ (FAP AMP) 出力端子。(未使用)
34	2VRO	I	2VREF アンプ (2VREF AMP) 出力端子。
35	2VRP	I	2VREF アンプ (2VREF AMP) 正相入力端子。
36	2VRN	I	2VREF アンプ (2VREF AMP) 逆相入力端子。
37	TS2O	O	トラッキングサーボアンプ2 (TS2 AMP) 出力端子。
38	TS2N	I	トラッキングサーボアンプ2 (TS2 AMP) 逆相入力端子。
39	TS2P	I	トラッキングサーボアンプ2 (TS2 AMP) 正相入力端子。
40	TS1O	O	トラッキングサーボアンプ1 (TS1 AMP) 出力端子。
41	TS1N	I	トラッキングサーボアンプ1 (TS1 AMP) 逆相入力端子。

端子番号	端子名称	I/O	機能説明
42	TS1P	I	トラッキングサーボアンプ1 (TS1 AMP) 正相入力端子。
43	TSO	O	トラッキング出力アンプ (TS AMP) 出力端子。
44	TSN	I	トラッキング出力アンプ (TS AMP) 逆相入力端子。

IC, TC9284F

Pin No.	Pin name	I/O	Description
1	GNDA	—	D/A converter R-channel analog GND.
2	RO	O	R-channel data positive output.
3	\overline{RO}	O	R-channel data inverted output.
4	VDA	—	D/A converter power supply.
5	\overline{LO}	O	L-channel data inverted output.
6	LO	O	L-channel data positive output.
7	GNDA	—	D/A converter L-channel analog GND.
8~10	$\overline{TEST3} \sim \overline{TEST5}$	I	TEST pin. Normally "H" or open.
11	SBOK	O	Sub code Q data CRCC judgment result output. Judgment result OK: H
12	VDDD	—	Digital power supply. (+5 V)
13	GNDD	—	Digital GND.
14~17	BUS0~BUS3	I/O	μ processor interface, data input/output.
18	CCE	I	μ processor interface, chip enable signal input. When "L" : BUS 3~0 are active
19	BUCK	I	μ processor interface, clock input.
20	PFCK	O	PB frame sync output.
21	\overline{RST}	I	Reset signal input. "L" at reset.
22	SUBSYC	O	Sub code block sync output. When sub code is detected, "H" at S1 position.
23	SUBD	O	Sub code P~W output.
24	CLCK	I	Sub code P~W data read clock input.
25	VDDD	—	Digital power supply. (+5 V)
26	GNDD	—	Digital GND.
27	DFCT	O	Defect detection signal output. When defect is detected: "VREF", normally "HiZ".
28	TEL2	O	Tracking gain adjustment analog switch output. "VREF", or "HiZ".
29	TEL1	O	Tracking gain adjustment analog switch output. "VREF", or "HiZ".
30	TGUL	O	Analog switch output for tracking servo gain up. Polarity in gain-up mode and normal mode can be selected by command.
31	TGUH2	O	Analog switch output for tracking servo gain up. "HiZ" for gain-up, normally "VREF". TGUH1 during normal playback. TGUH2: not used
32	TGUH1	O	
33	TKIC	O	Tracking actuator kick signal output. NKICx and CKICx are used for kick during tracking gain adjustment. "VREF" for outermost track. "O" for moving toward inner track. Normally "HiZ".
34	FMON	O	Analog switch output to turn ON/OFF the feed servo. "HiZ" to turn ON servo. "VREF" to turn OFF servo.
35	$\overline{TEST1}$	I	TEST pin. Normally "H" or open.
36	FMFB	O	Feed motor FWD/BWD direction control signal output. "2VREF" for outmost track. "O" for moving toward inner track. Normally "HiZ".
37	\overline{TEST}	I	TEST pin. Normally "H" or open.
38	DMON	O	Analog switch output to select gain of the disc motor drive circuit. "HiZ" for CLV servo OFF, "HiZ" or "VREF" can be selected by command.

Pin No.	Pin name	I/O	Description																
39	DMPC	O	Disc motor CLV servo AFC signal output.																
			<table border="1"> <thead> <tr> <th>Operation</th> <th>Command</th> <th>DMFC output</th> </tr> </thead> <tbody> <tr> <td>Motor acceleration</td> <td>DMFK</td> <td>"2VREF"</td> </tr> <tr> <td>CLV servo ON</td> <td>DMSV</td> <td>AFC signal (PWM)</td> </tr> <tr> <td>Motor brake</td> <td>DMBK</td> <td>"L"</td> </tr> <tr> <td>CLV servo OFF</td> <td>DMOFF</td> <td>"VREF"</td> </tr> </tbody> </table>	Operation	Command	DMFC output	Motor acceleration	DMFK	"2VREF"	CLV servo ON	DMSV	AFC signal (PWM)	Motor brake	DMBK	"L"	CLV servo OFF	DMOFF	"VREF"	
			Operation	Command	DMFC output														
			Motor acceleration	DMFK	"2VREF"														
			CLV servo ON	DMSV	AFC signal (PWM)														
Motor brake	DMBK	"L"																	
CLV servo OFF	DMOFF	"VREF"																	
40	DMPC	O	Disc motor CLV servo APC signal output.																
41	2VREF	—	Analog power supply. (twice the "VREF" voltage)																
42	SEL	O	Servo mode select output. It turns ON/OFF the laser diode (LD) and focus servo.																
			<table border="1"> <thead> <tr> <th>SEL output</th> <th>LD</th> <th>Focus servo</th> <th>Operating mode</th> </tr> </thead> <tbody> <tr> <td>"L"</td> <td>OFF</td> <td>OFF</td> <td>LD OFF</td> </tr> <tr> <td>"HiZ"</td> <td>ON</td> <td>OFF</td> <td>Focus search</td> </tr> <tr> <td>"H"</td> <td>ON</td> <td>ON</td> <td>Focus ON (normal play)</td> </tr> </tbody> </table>	SEL output	LD	Focus servo	Operating mode	"L"	OFF	OFF	LD OFF	"HiZ"	ON	OFF	Focus search	"H"	ON	ON	Focus ON (normal play)
			SEL output	LD	Focus servo	Operating mode													
			"L"	OFF	OFF	LD OFF													
"HiZ"	ON	OFF	Focus search																
"H"	ON	ON	Focus ON (normal play)																
43	FCSI	O	Focus actuator drive signal output during focus search mode. "VDDA" to move the lens far from disc. "L" to move the lens closer to disc. Normally "HiZ".																
44	FKIC	O	Focus actuator drive signal output during focus adjustment mode. "VDDA" to move the lens far from disc. "L" to move the lens closer to disc. Normally "HiZ".																
45, 46	FEL1, FEL2	O	Focus gain adjustment analog switch output. "VREF" or "HiZ".																
47	FEI	I	Focus error signal input.																
48	TESH	I	Analog switch input to track error signal sample-and-hold.																
49	TEOF	O	Focus gain adjustment analog switch output. "VREF" when tracking servo off.																
50	SBAD	I	Sub beam added signal input.																
51	RFRP	I	RF ripple signal input.																
52	VREF	—	Analog power supply.																
53	RFI	I	RF signal input.																
54	GND A	—	Analog GND.																
55	DTSC2	O	Data slice control EFM signal inverted output.																
56	MONIT	O	Internal signal monitored output. EFMO, PLCK or LOCK signals can be selected by command. Can be muted. (Not used)																
57	DTSC1	O	Data slice control EFM signal positive polarity output.																
58	VDDA	—	Analog power supply.																
59	PDCNT	I	PDO output control signal input. "L" to fix to "HiZ" forcibly. "H": normal output.																
60	PDO	O	Phase error signal between EFM and PLCK signals is output.																
61	TMAX	O	TMAX detected result output.																
			<table border="1"> <thead> <tr> <th>TMAX detected result</th> <th>TMAX output</th> </tr> </thead> <tbody> <tr> <td>Longer than specified cycle</td> <td>"L"</td> </tr> <tr> <td>Shorter than specified cycle</td> <td>"VREF"</td> </tr> <tr> <td>Within specified cycle</td> <td>"HiZ"</td> </tr> </tbody> </table>	TMAX detected result	TMAX output	Longer than specified cycle	"L"	Shorter than specified cycle	"VREF"	Within specified cycle	"HiZ"								
			TMAX detected result	TMAX output															
			Longer than specified cycle	"L"															
Shorter than specified cycle	"VREF"																		
Within specified cycle	"HiZ"																		
62	LPFN	I	Low-pass filter amplifier inverted input.																

Pin No.	Pin name	I/O	Description
63	LPFO	O	Low-pass filter amplifier output.
64	VCOF	O	VCO filter output.
65	TESTX	I	TEST pin. Normally "H" or "L" .(Connected to +5 V)
66	HS	O	Double speed mode output. "H" : normal speed. "L" : double speed
67	GNDD	—	Digital GND.
68	SPDA	O	Processor status signal output.
69	COFS	O	Correction circuit frame clock (7.35 kHz) output.
70	WDCK	O	Word clock (88.2 kHz) output. SUBQ, BUF0V or 1PF can be selected by the μ processor command. (Not used)
71	CHCK	O	Channel clock (44.1 kHz) output. "L" for L-channel. "H" for R-channel.
72	BCK	O	Bit clock (1.4112 MHz) output.
73	AOUT	O	Audio data output. (Not used)
74	EMPH	O	Emphasis ON/OFF select signal. "H" : emphasis ON. "L" for emphasis OFF
75	DOUT	O	DIGITAL SIGNAL output.
76	TEST2	I	TEST pin. Normally "H".
77	VDDX	—	Crystal oscillator circuit power supply.
78	XI	I	External crystal oscillator is connected. (Crystal oscillator frequency 16.9344 MHz)
79	XO	O	External crystal oscillator is connected. (Crystal oscillator frequency 16.9344 MHz)
80	GNDX	—	Crystal oscillator GND.

TEST MODE

1. CDテストモードの起動方法

ファンクションCDの釦を押しながら、ACプラグを挿入する。
上記によりFL表示管が全て点灯し、テストモードが起動します。

2. CDテストモードの解除方法

下記のいずれか1つの操作で解除します。
・ファンクション釦を押す
・パワーSW釦を押す。
(CDファンクション釦以外) ・ACプラグを抜く。

3. CDテストモードの機能説明

テストモード起動後、各操作釦を押す事により次のNo1～No5の各モード機能が使用できます。

Mode/No.	操作	FL表示	動作	内容
スタートモード No.1	起動	全灯表示	<ul style="list-style-type: none"> TEST MODE起動 	<ul style="list-style-type: none"> FL表示確認 (全灯)
サーチモード No.2	■釦		<ul style="list-style-type: none"> LASER DIODE常時発光 (CDブロック電源ON) 連続フォーカスサーチ (PUレンズがフルスイングを繰り返す) * 10分以上の連続フォーカスは避けて下さい。 *注1 	<ul style="list-style-type: none"> APC回路確認 レーザー電流測定 (レーザー電流コントロール、トランジスタのエミッター-GND間の抵抗の両端。) FOCUS SERVO フォーカスラッチ波形確認 フォーカスエラー波形確認 (サーチモードではFOK/FZCは監視せず。)
プレイモード No.3	◀▶釦		<ul style="list-style-type: none"> 通常再生 TOC READ出来ない場合フォーカスサーチを続行 *注1 	FOCUS SERVO/TRACKING SERVO CLV SERVO/SLED SERVO FOK/FZC確認
トラバースモード No.4	▬▬釦		<ul style="list-style-type: none"> DISC通常再生中 1回押すトラッキングサーボ OFF 2回押すトラッキングサーボ ON *注2 	TRACKING SERVO ON/OFF トラッキングバランス (トラバース) 調整
スレッドモード No.5	◀◀ ▶▶釦	全灯表示	<ul style="list-style-type: none"> ピックアップ外周へ移動 ピックアップ内周へ移動 *注3 (再生中は通常動作致します) 	SLED SERVO SLED メカ動作確認

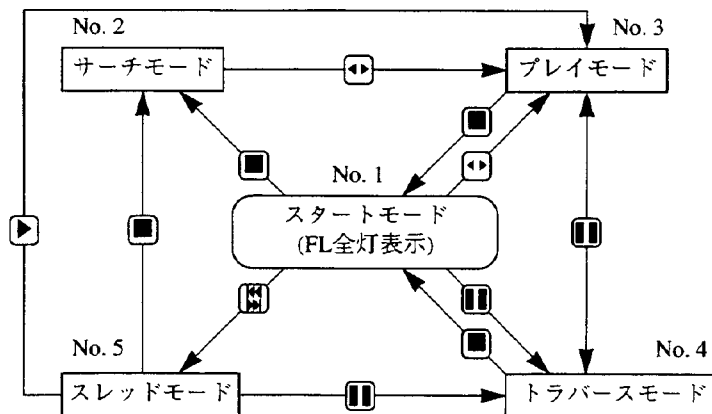
*注1 フォーカスサーチを連続して10分以上動作し続けるとドライバーICが発熱し保護回路が働く為、トラッキングサーボがかからない状態となる場合があります。この様な場合には、電源を切り約10分間放熱後、再スタートして下さい。

*注2 「▬▬」状態で、「◀◀」または「▶▶」釦を押さない事。「▬▬」状態解除後、再生出来なくなります。「▬▬」状態で、「◀◀」または「▶▶」釦を押した場合には「■」釦を押してスタートモード (No.1) に戻して下さい。

*注3 ピックアップが最内周、最外周の位置でも「◀◀」または「▶▶」釦を押している間はスレッドモータが回転する為、ギヤ破損に注意して下さい。

4. 操作概要

下図の様にスタートモードから、矢印方向の流れで各モードの操作が行えます。モード変更は、下図の流れに従って下さい。



尚、DISC DIRECT PLAY釦を押した場合には、上図のPLAY釦を押した時と同様の動作となります。またプレイモード/トラバースモード時にopen/close釦により、トレイをopenさせた場合には、スタートモードに戻ります。

1. How to Activate CD Test Mode

Insert the AC plug while pressing the function CD button.
All FL display tubes will light up, and the test mode will be activated.




2. How to Cancel CD Test Mode

Either one of the following operations will cancel the CD test mode.

- Press the function button.
- Press the power switch button.
- (except CD function button) • Disconnect the AC plug

3. CD Test Mode Functions

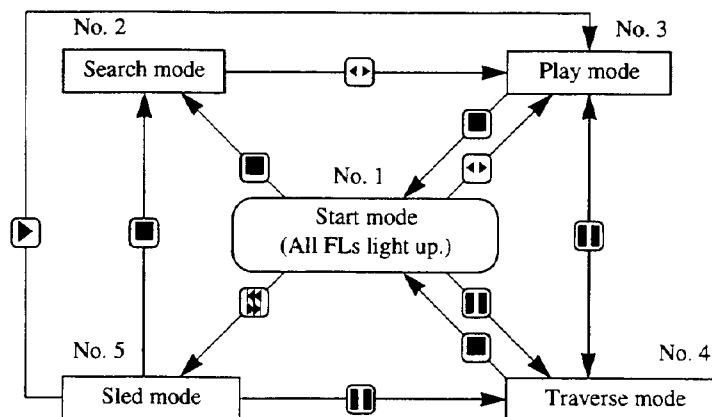
When test mode is activated, the following mode functions from No.1 to No.5 can be used by pressing the operation keys.

Mode/No.	Operation	FL display	Operation	Contents
Start mode No.1	Activation	All lamps light	• Test mode is activated.	• FL display check (All displays light.)
Search mode No.2	■ key		<ul style="list-style-type: none"> • Laser diode turns always ON. (CD block power is ON.) • Continual focus search (The pickup lens repeats the full-swing up-down motion.) * Avoid continual searches that last for more than 10 minutes. <p style="text-align: right;">* NOTE 1</p>	<ul style="list-style-type: none"> • APC circuit check • Laser current measurement (Laser current control. Across a resistor connected between emitter and GND.) <p>FOCUS SERVO</p> <ul style="list-style-type: none"> • Check focus search waveform • Check focus error waveform (FOK/FZC are not monitored in the search mode)
Play mode No.3	◀▶ key		<ul style="list-style-type: none"> • Normal playback • Focus search is continued if TOC cannot be read. <p style="text-align: right;">* NOTE 1</p>	FOCUS SERVO/TRACKING SERVO CLV SERVO/SLED SERVO Check FOK/FZC
Traverse mode No.4	▬▬ key		<ul style="list-style-type: none"> • During normal disc playback Press once; tracking servo OFF Press twice; tracking servo ON <p style="text-align: right;">* NOTE 2</p>	TRACKING SERVO ON/OFF Tracking balance (traverse) adjustment
Sled mode No.5	◀◀ key ▶▶ key	All lamps light	<ul style="list-style-type: none"> • Pickup moves to the outermost track • Pickup moves to the innermost track <p style="text-align: right;">* NOTE 3</p> <p>(During playback, machine operates normally.)</p>	SLED SERVO Check SLED mechanism operation

- * NOTE 1: There are cases when the tracking servo cannot be locked owing to the protection circuit being operated when heat builds up in the driver IC if the focus search is operated continually for more than 10 minutes. In these cases the power supply should be switched off for 10 minutes until heat has been reduced and then re-started.
- * NOTE 2: Do not press the ◀◀ or ▶▶ keys when the machine is in the ▬▬ status is active. If they are pressed, playback will not be possible after the ▬▬ status has been canceled. If the ◀◀ or ▶▶ keys are pressed in the ▬▬ status, press the ■ key and return to the start mode (No.1).
- * NOTE 3: When pressing the ◀◀ or ▶▶ keys, take care to avoid damage to the gears. Because the sled motor is activated when the ◀◀ or ▶▶ keys are pressed, even when the pickup is at the outermost or innermost track.

4. Operation Outline

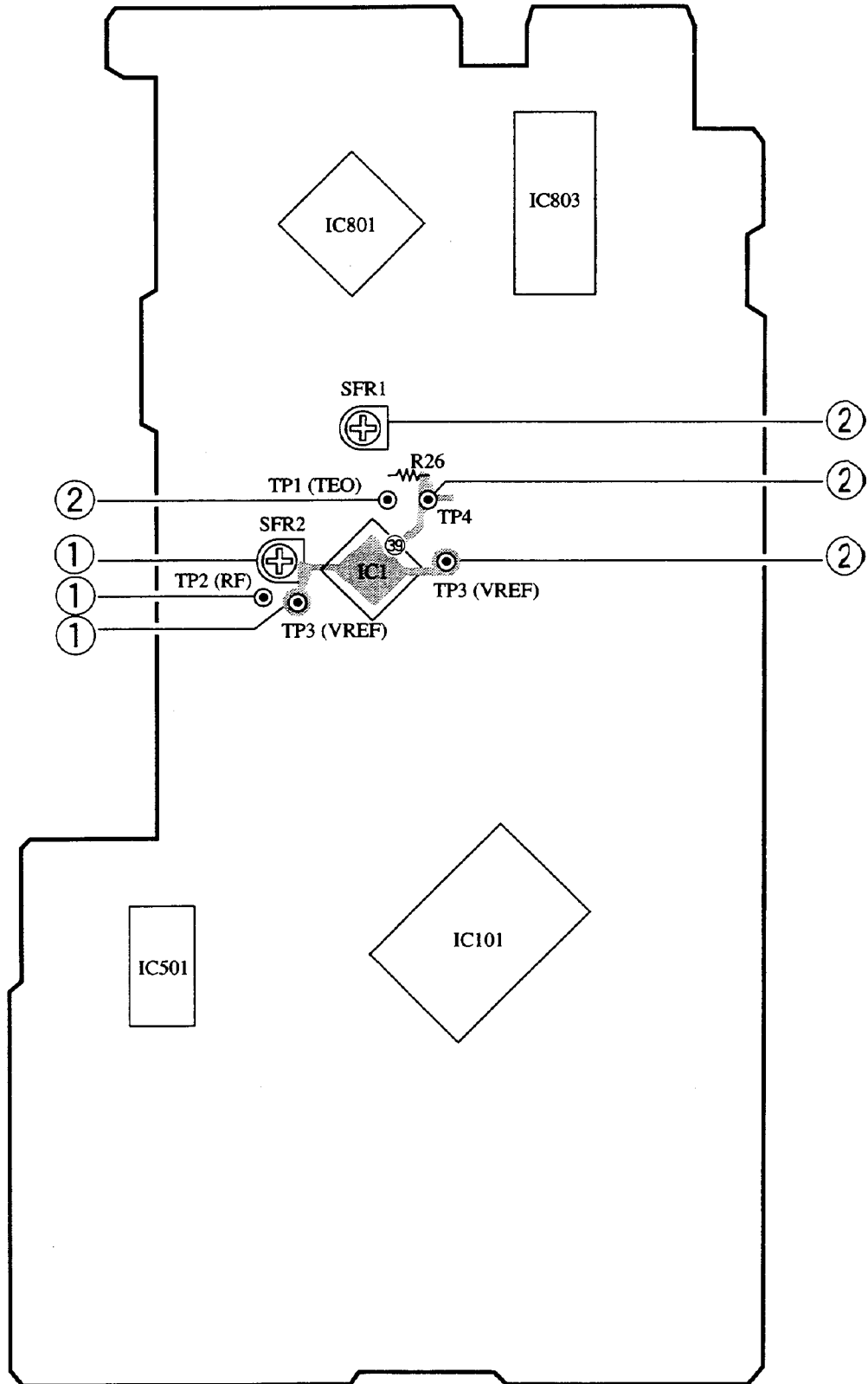
The operation of each mode is carried out in the direction of the arrows from the start mode as indicated in the following illustration.



If the DISC DIRECT PLAY button is pressed, the machine performs the same operation as the PLAY button is pressed as shown. If the tray is opened by pressing OPEN/CLOSE button during Play mode or Traverse mode, the machine returns to the Start mode.

ELECTRICAL ADJUSTMENT

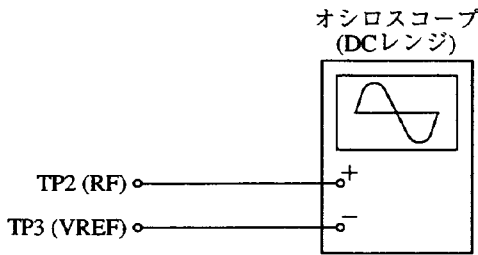
A 3CD C.B



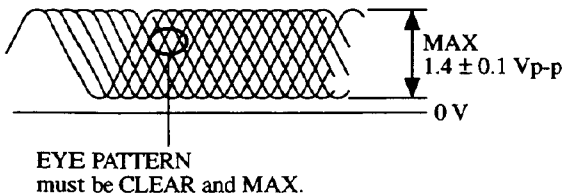
注意：・ (10: 1) のプローブを接続して、調整して下さい。
 ・ 各調整には、オシロスコープの ⊖ 側を TP3 (VREF) に接続して下さい。

1. フォーカスバイアス調整

この調整は、光学系ブロックを交換修理した場合に調整すること。

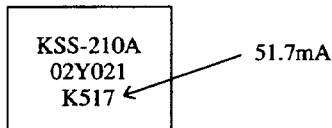


- 1) テストポイント TP2 (RF)、TP3 (VREF) にオシロスコープを接続する。
- 2) POWER スイッチを ON にする。
- 3) テストディスク TCD-782 (YEDS-18) を入れて 2 曲目を PLAY させる。
- 4) オシロスコープの波形の振幅が最大となり、かつ中央のひし形が、鮮明になるように SFR2 を調整する。



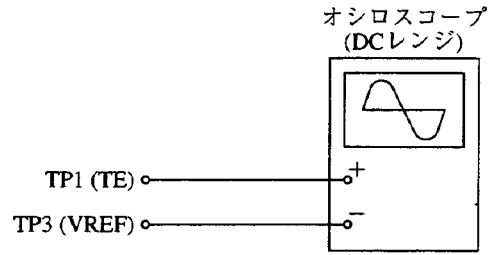
VOLT/DIV : 0.5V
 TIME/DIV : 1 μ S

注意： レーザー電流の確認は R2 (10 Ω の両端電圧) で行えます。レーザーピックアップの裏側のラベルの電流値に対して ± 6.0mA に入っていること。

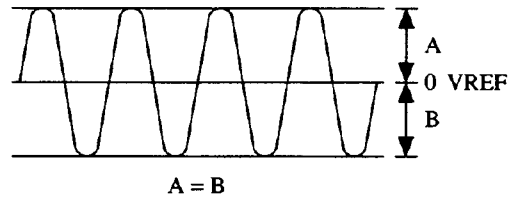


$$\text{レーザー電流 } I_{op} = \frac{\text{R2の両端電圧}}{10\Omega}$$

2. トラッキング・バランス調整



- 1) TP3 (VREF) と TP4 の間をショートする。
- 2) テストポイント TP1 (TE)、TP3 (VREF) にオシロスコープを接続する。
- 3) POWER スイッチを ON にする。
- 4) テストディスク TCD-782 (YEDS-18) を入れて、▶PLAY 状態にする。
- 5) オシロスコープのトラバース波形が、下図のように上下対称になるように SFR1 を調整する。
- 6) 調整が完了したら、テストポイント TP3 (VREF) 及び TP4 からリード線はずす。

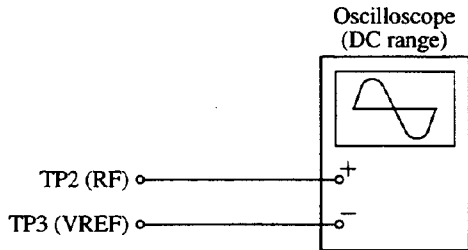


VOLT/DIV : 200mV
 TIME/DIV : 1mS

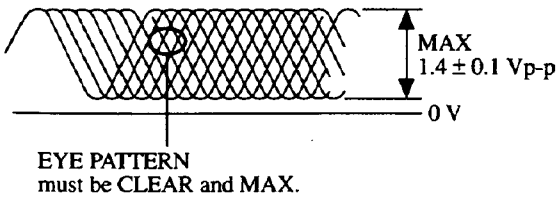
- Note:**
- Connect a probe (10: 1) of the oscilloscope or the frequency counter to a test point.
 - During adjustment, connect (⊖) pin of an oscilloscope to TP3 (VREF).

1. Focus Bias Adjustment

Make the focus bias adjustment when replacing and repairing the optical block.

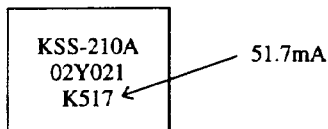


- 1) Connect an oscilloscope to test points TP2 (RF) and TP3 (VREF).
- 2) Turn on the power switch.
- 3) Insert test disc TCD-782 (YEDS-18) and play back the second program.
- 4) Adjust SFR2 so that RF signal of the test point TP2 (RF) is MAX and CLEARREST.



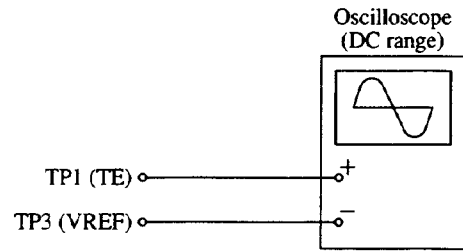
VOLT/DIV : 0.5V
TIME/DIV : 1μS

Note : The current of the laser signal can be checked with the voltages on both sides of R2 (voltage across 10Ω). The difference for the specified value shown on the label must be within ± 6.0mA.

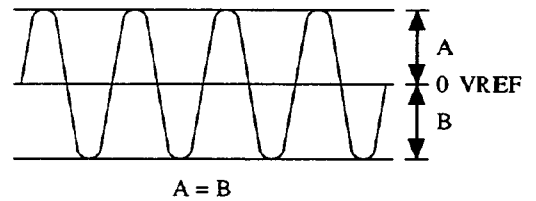


$$\text{Laser current } I_{op} = \frac{\text{Voltage across R2}}{10\Omega}$$

2. Tracking Balance Adjustment



- 1) Short circuit between TP3 (VREF) and TP4.
- 2) Connect an oscilloscope to test points TP1 (TE) and TP3 (VREF).
- 3) Turn on the power switch.
- 4) Insert test disc TCD-782 (YEDS-18) and press the PLAY (▶) button.
- 5) Adjust SFR1 so that the waveform on the oscilloscope is vertically symmetrical as shown in the figure below.
- 6) After the adjustment is completed, remove the connected lead wires from the test point TP3 (VREF) and TP4.



VOLT/DIV : 200mV
TIME/DIV : 1mS

USE MODEL LIST

ACD-630

CX-N400 (NSX-400)
CX-N4000 (NSX-4000)
CX-N5100 (NSX-5100)
CX-N520 (NSX-520)
CX-N5200 (NSX-5200)

CX-N5250 (NSX-5250)
CX-N540 (NSX-540)
CX-N550G (NSX-550G)
CX-N999 (NSX-999)
CX-NAP1MK2 (NSX-AP1MK2)

CX-NAV700 (XG-V700)
CX-NAV800 (NSX-AV800)
CX-NAV90 (NSX-AV90)
CX-NAV900 (NSX-AV900)
CX-NK600D (NSX-K600D)

CX-NK80 (NSX-K80)
CX-NK90 (NSX-K90)
CX-NK900D (NSX-K900D)
CX-NV1000 (NSX-V1000)
CX-NV20 (NSX-V20)

CX-NV21 (NSX-V21)
CX-NV30 (NSX-V30)
CX-NV31G (NSX-V31G)
CX-NV33 (NSX-V33)
CX-NV50 (NSX-V50)

CX-NV51 (NSX-V51)
CX-NV51G (NSX-V51G)
CX-NV54 (NSX-V54)
CX-NV70 (NSX-V70)
CX-NV71G (NSX-V71G)

CX-NV72 (NSX-V72)
CX-NV800/NV8000/NV8080 (NSX-V800/V8000/V8080)
CX-NV90 (NSX-V90)
CX-NV91G (NSX-V91G)
CX-SN1000V (XG-1000V)

CX-SN303 (XG-303)
CX-SN363 (XG-363)
CX-SN400 (XG-400)
CX-SN410G (XG-410G)
CX-SN420G (XG-420G)

CX-SN520 (XG-520)
CX-SN530G (XG-530G)
CX-SN999 (XG-999)
CX-SN999G (XG-999G)
CX-SNV28 (XG-V28)

CX-SNV30G (XG-V30G)
CX-SNV40F (XG-V40F)
CX-SNV50 (XG-V50)
CX-SNV50G (XG-V50G)
CX-SNV60D (XG-V60G)

CX-SNV70G (XG-V70G)
CX-SZ650 (XS-Z650)
CX-SZ650 (XS-Z650)
CX-SZ675 (XS-Z675)
CX-SZ675G (XS-Z675G)

CX-SZ790 (XS-Z790)
CX-Z1600 (Z-1600)
CX-Z1601 (Z-1601)
CX-Z1800 (Z-1800)
CX-Z1890 (Z-1890)

CX-Z1900 (Z-1900)
CX-Z1950 (Z-1950)
CX-Z2300 (Z-2300)
CX-Z650 (Z-650)
CX-Z670 (Z-670)

CX-Z675 (Z-675)
CX-Z690 (Z-690)
CX-Z790 (Z-790)
CX-Z795 (Z-795)
CX-Z799 (Z-799)

CX-ZK5000D (Z-K5000D)
CX-ZK8000D (Z-K8000D)
FD-N757 (NSX-656)
FD-NH80 (NSX-H80)
FD-NH90 (NSX-H90)

FD-SN636 (NSX-D636)
FD-SN757 (NSX-D757)
FD-SN760G (NSX-760G)
FD-SNH8 (NSX-H8)
FD-SNH9 (NSX-H9)

VX-C14V1
VX-C14VDP1

REFERENCE NAME LIST

ELECTRICAL SECTION

DESCRIPTION	REFERENCE NAME
ANT	ANTENNAS
C-	CHIP
C-CAP	CAP, CHIP
C-CAP TN	CAP, CHIP TANTALUM
C-COIL	COIL, CHIP
C-DI	DIODE, CHIP
C-DIODE	DIODE, CHIP
C-FET	FET, CHIP
C-FOTR	FILTER, CHIP
C-JACK	JACK, CHIP
C-LED	LED, CHIP
C-RES	RES, CHIP
C-SFR	SFR, CHIP
C-SLIDE SW	SLIDE SWITCH, CHIP
C-SW	SWITCH, CHIP
C-TR	TRANSISTOR, CHIP
C-VR	VOLUME, CHIP
C-ZENER	ZENER, CHIP
CAP, CER	CAP, CERA-SOL
CAP, E	CAP, ELECT
CAP, M/F	CAP, FILM
CAP, TC	CAP, CERA-SOL
CAP, TC-U	CAP, CERA-SOL SS
CAP, TN	CAP, TANTALUM
CERA FIL	FILTER, CERAMIC
CF	FILTER, CERAMIC
DL	DELAY LINE
E/CAP	CAP, ELECT
FILT	FILTER
FLTR	FILTER
FUSE RES	RES, FUSE
MOT	MOTOR
P-DIODE	PHOTO DIODE
P-SNSR	PHOTO SENSER
P-TR	PHOTO TRANSISTOR
POLY VARI	VARIABLE CAPACITOR
PPCAP	CAP, PP
PT	POWER TRANSFORMER
PTR, RES	PTR, MELF
RC	REMOTE CONTROLLER
RES NF	RES, NON-FLAMMABLE
RESO	RESONATOR
SHLD	SHIELD
SOL	SOLENOID
SPKR	SPEAKER
SW, LVR	SWITCH, LEVER
SW, RTRY	SWITCH, ROTARY
SW, SL	SWITCH, SLIDE
TC CAP	CAP, CERA-SOL
THMS	THERMISTOR
TR	TRANSISTOR
TRIMMER	CAP, TRIMMER
TUN-CAP	VARIABLE CAPACITOR
VIB, CER	RESONATOR, CERAMIC
VIB, XTAL	RESONATOR, CRYSTAL
VR	VOLUME
ZENER	DIODE, ZENER
サージサプレッサ	SERGESUPPRESSOR
セラコン	CAP, CERA

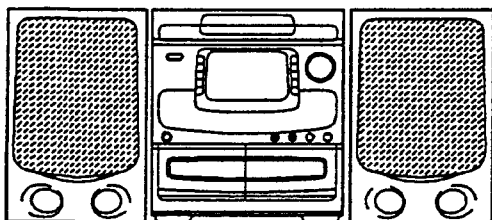
MECHANICAL SECTION

DESCRIPTION	REFERENCE NAME
ADHESHIVE	SHEET ADHESHIVE
AZ	AZIMUTH
BAR-ANT	BAR-ANTENNA
BAT	BATTERY
BATT	BATTERY
BRG	BEARING
BTN	BUTTON
CAB	CABINET
CASS	CASSETTE
CHAS	CHASSIS
CLR	COLLAR
CONT	CONTROL
CRSR	CURSOR
CU	CUSHION
CUSH	CUSHION
DIR	DIRECTION
DUBB	DUBBING
FL	FRONT LOADING
FLY-WHL	FLYWHEEL
FR	FRONT
FUN	FUNCTION
G-CU	G-CUSHION
HDL	HANDOL
HIMERON	CLOTH
HINGE, BAT	HINGE, BATTERY
HLDR	HOLDER
HT-SINK	HEAT SINK
IB	INSTRUCTION BOOKLET
IDLE	IDLER
IND, L-R	INDICATOR, L-R
KEY, CONT	KEY, CONTROL
KEY, PRGM	KEY, PROGRAM
KNOB, SL	KNOB, SLIDE
LBL	LABEL
LID, BATT	LID, BATTERY
LID, CASS	LID, CASSETTE
LVR	LEVER
P-SP	P-SPRING
PANEL, CONT	PANEL, CONTROL
PANEL, FR	PANEL, FRONT
PRGM	PROGRAM
PULLY, LOAD MO	PULLY, LOAD MOTOR
RBN	RIBBON
S-	SPECIAL
SEG	SEGMENT
SH	SHEET
SHLD-SH	SHIELD-SHEET
SL	SLIDE
SP	SPRING
SP-SCREW	SPECIAL-SCREW
SPACER, BAT	SPACER, BATTERY
SPR	SPRING
SPR-P	P-SPRING
SPR-PC-PUSH	P-SPRING, C-PUSH
T-SP	T-SPRING
TERM	TERMINAL
TRIG	TRIGGER
TUN	TUNING
VOL	VOLUME
W	WASHER
WHL	WHEEL
WORM-WHL	WORM-WHEEL
ジグアーム	ARM, SHAFT
ジグガイド	GUIDE, SHAFT
ストラップ	STRAP
トクナベ	S-SCREW
ヒンジ	HINGE
ヒンジビス	S-SCREW
ビスセレート	SCREW, SERRART

aiwa



CX-N999MK2 SX-N999MK2



COMPACT DISC STEREO
CASSETTE RECEIVER

- BASIC TAPE MECHANISM: 2ZM-3PR1N
- BASIC CD MECHANISM: 4ZG-1SDFR

• TYPE. HE

SUPPLEMENT

* This Service Manual contains information about the difference between CX-N999MK2 HE and CX-N999MK2 HR . If requiring the other information, see Service Manual of CX-N999MK2,SX-N999MK2,CX-N2200,SX-N2200 HR,E2,EEZ,EZ,K,LH.
(S/M Code No.09-965-139-70T)

● If requiring information about the CD mechanism, see Service Manual of 4ZG-1S.
(S/M Code No. 09-95C-124-90T).

ALTERATION LIST

MECHANICAL PARTS LIST 1/1

DESCRIPTIONで判断できない物は“REFERENCE NAME LIST”を参照してください。
If can't understand for Description please kindly refer to “REFERENCE NAME LIST”.

REF. NO	PART NO.	かり NO.	DESCRIPTION
1	84-NF6-020-010		CABI, FR H MK2
4	84-NF6-022-010		BOX, CASS 2 H MK2
7	84-NF6-021-010		BOX, CASS 1 H MK2
24	83-NF6-002-110		CAB, STEEL
26	84-NF6-031-010		PANEL, REAR
△	27	87-050-079-010	AC CORD ASSY, E
	28	87-085-185-010	BUSHING, AC CORD

ACCESSORIES/PACKAGE LIST

DESCRIPTIONで判断できない物は“REFERENCE NAME LIST”を参照してください。
If can't understand for Description please kindly refer to “REFERENCE NAME LIST”.

REF. NO	PART NO.	かり NO.	DESCRIPTION
1	84-NF6-907-010		IB, HE-KIT (THAI)
2	83-NF6-625-010		RC, RC-TN999
3	87-006-240-010		ANT, LOOP AM
4	87-043-115-010		FEEDER-ANT, FM
5	87-043-095-010		ANT, WIRE
6	87-099-789-010		PLUG, CONVERSION IR44

サービス技術ニュース	
番号	連絡内容
G-	-
G-	-
G-	-

アイワ株式会社
AIWA CO., LTD.

737004, 750038

Tokyo Japan