

ROTEL

RX-800

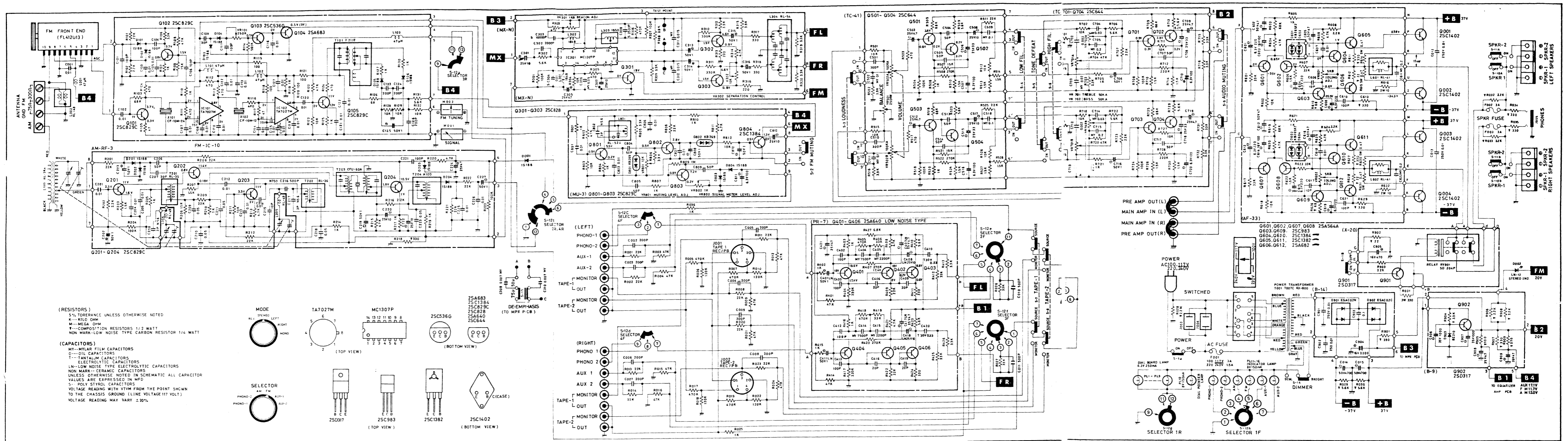
MODEL

SERVICE MANUAL ***<http://www.ManualsCenter.com>***

SCHEMATIC CIRCUIT DIAGRAM

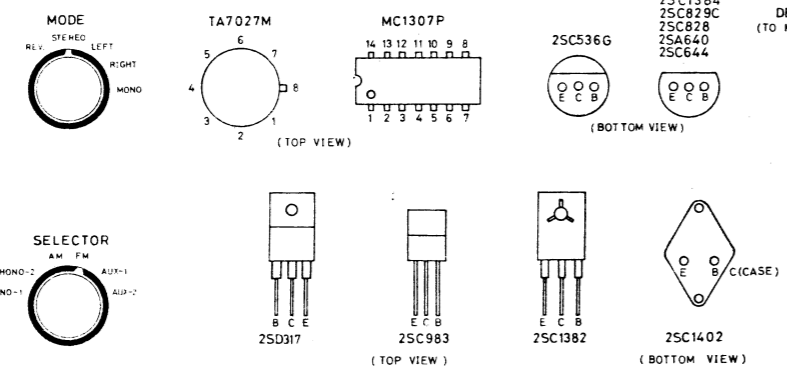
RX-800

AM/FM STEREO RECEIVER



(RESISTORS)
 5% TOLERANCE UNLESS OTHERWISE NOTED
 K--KILO OHM
 M--MEGA OHM
 ---COMPOSITION RESISTORS 1/2 WATT
 NON-MARK--LOW NOISE TYPE CARBON RESISTOR 1/4 WATT

(CAPACITORS)
 MY--MYLAR FILM CAPACITORS
 O--OIL CAPACITORS
 T--TANTALUM CAPACITORS
 E--ELECTROLYTIC CAPACITORS
 LN--LOW NOISE TYPE ELECTROLYTIC CAPACITORS
 NON-MARK--CERAMIC CAPACITORS
 UNLESS OTHERWISE NOTED IN SCHEMATIC ALL CAPACITOR VALUES ARE EXPRESSED IN MFD
 S--POLY STYROL CAPACITORS
 VOLTAGE READING WITH VTVM FROM THE POINT SHOWN TO THE CHASSIS GROUND (LINE VOLTAGE 117 VOLT)
 VOLTAGE READING MAY VARY ±20%



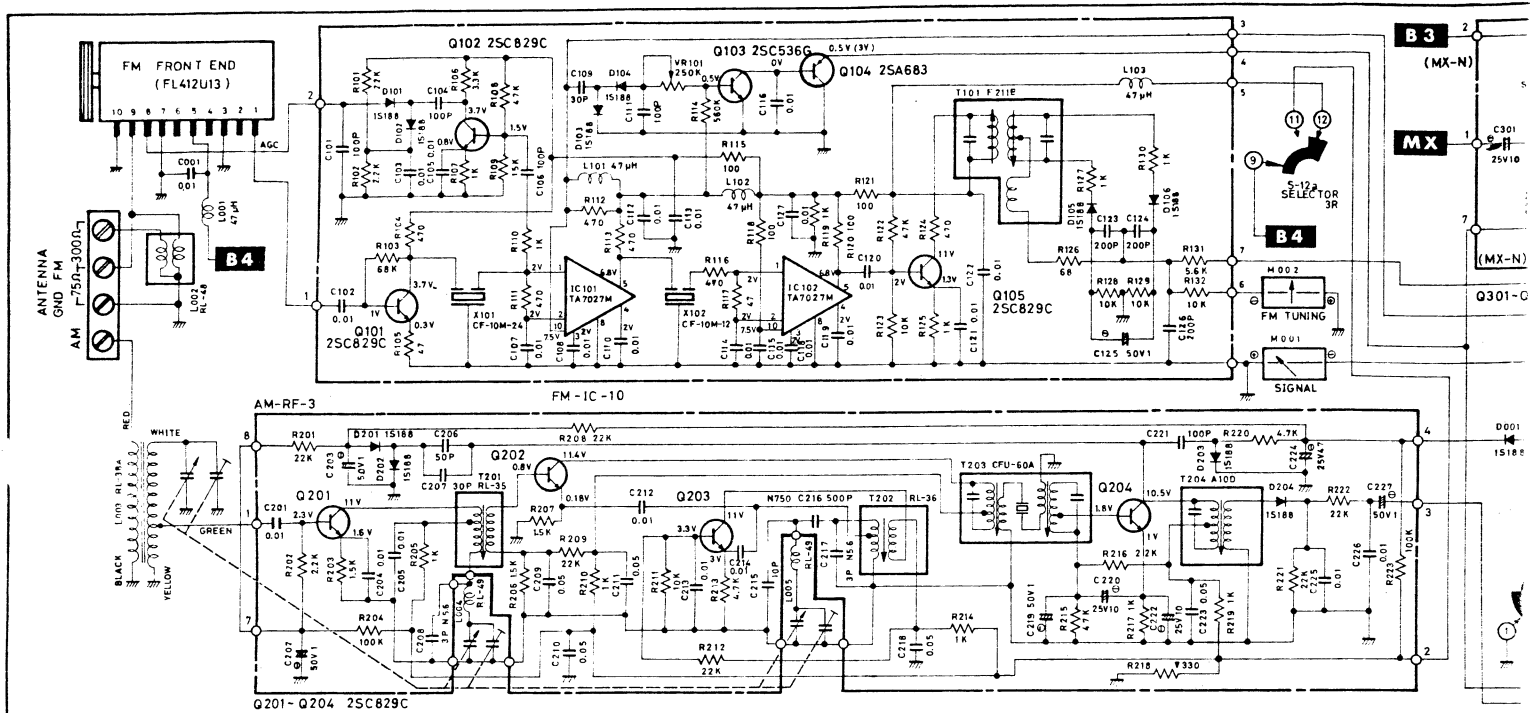
ROTEL

<http://www.ManualsCenter.com>

SCHEMATIC CIRCUIT DIAGRAM

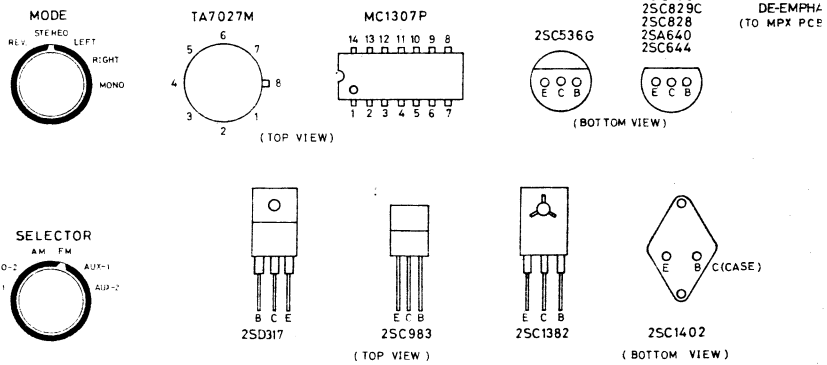
RX-800

AM/FM STEREO RECEIVER



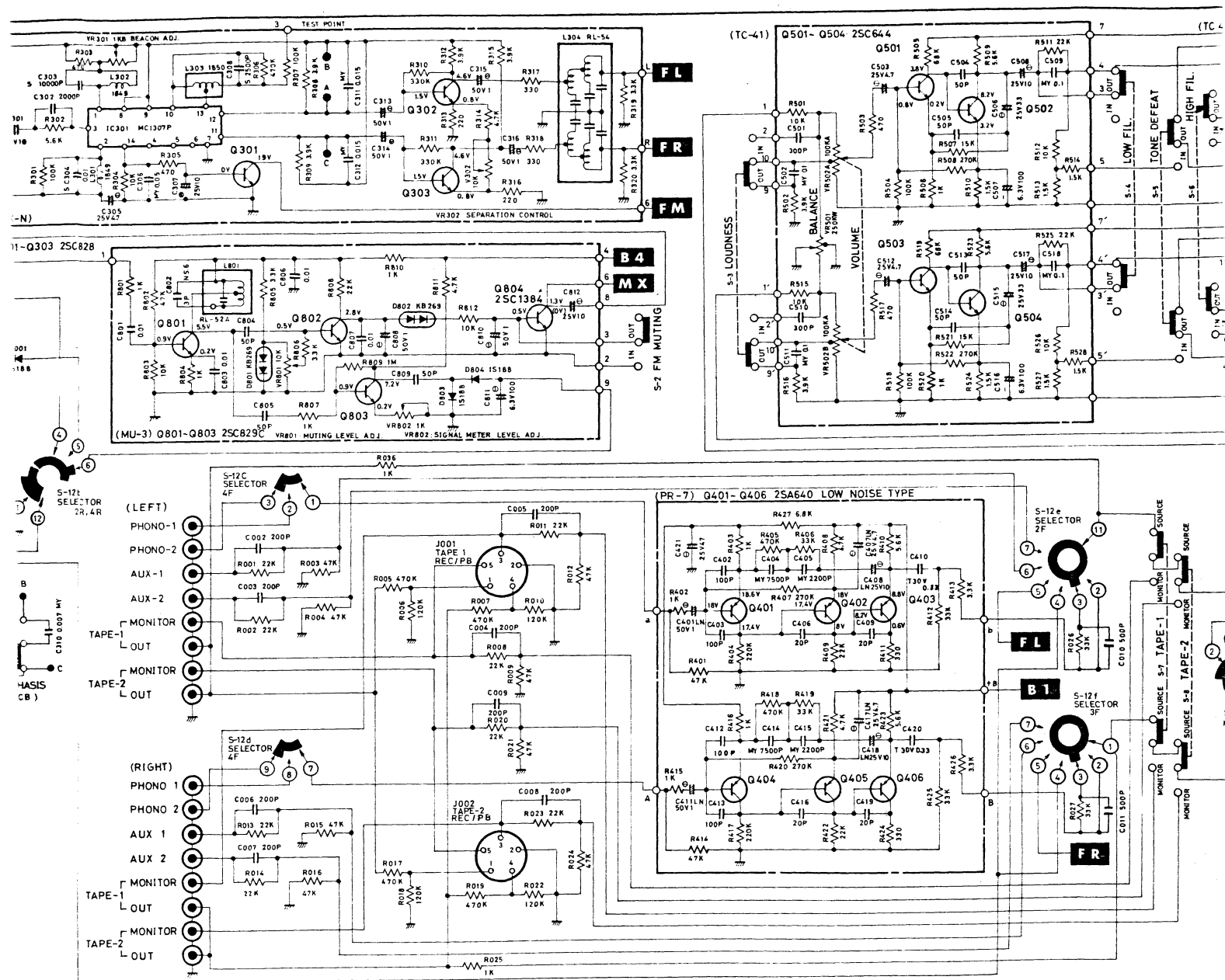
(RESISTORS)
 5% TOLERANCE UNLESS OTHERWISE NOTED
 K---KILO OHM
 M---MEGA OHM
 T---COMPOSITION RESISTORS 1/2 WATT
 NON MARK--LOW NOISE TYPE CARBON RESISTOR 1/4 WATT

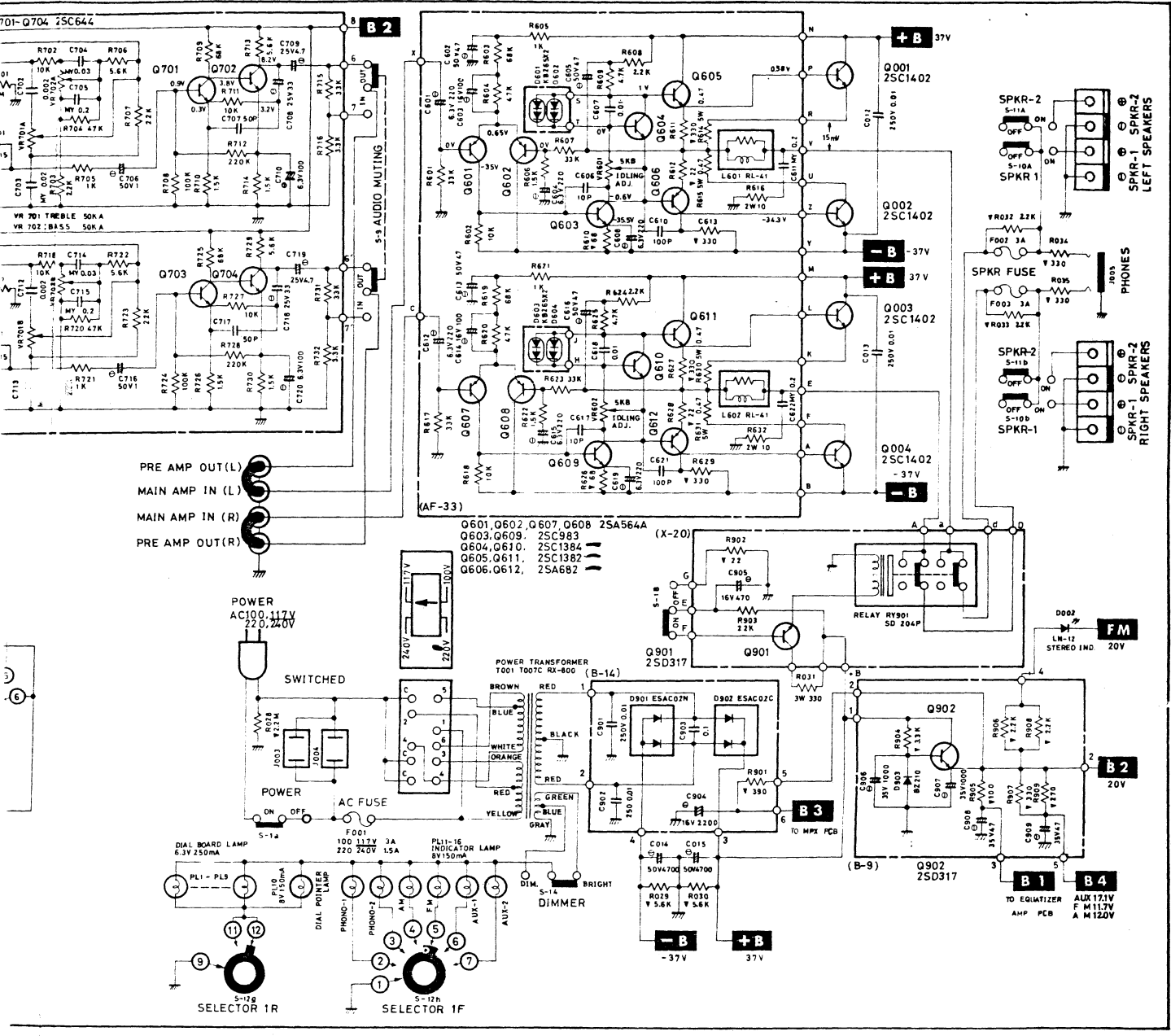
(CAPACITORS)
 MY--MYLAR FILM CAPACITORS
 O---OIL CAPACITORS
 T---TANTALUM CAPACITORS
 E---ELECTROLYTIC CAPACITORS
 LN--LOW NOISE TYPE ELECTROLYTIC CAPACITORS
 NON MARK-- CERAMIC CAPACITORS
 UNLESS OTHERWISE NOTED IN SCHEMATIC ALL CAPACITOR VALUES ARE EXPRESSED IN MFD
 S-- POLY STYROL CAPACITORS
 VOLTAGE READING WITH VTVM FROM THE POINT SHOWN TO THE CHASSIS GROUND (LINE VOLTAGE 117 VOLT)
 VOLTAGE READING MAY VARY ± 20%.



ROTEL

<http://www.ManualsCenter.com>





<http://www.ManualsCenter.com>