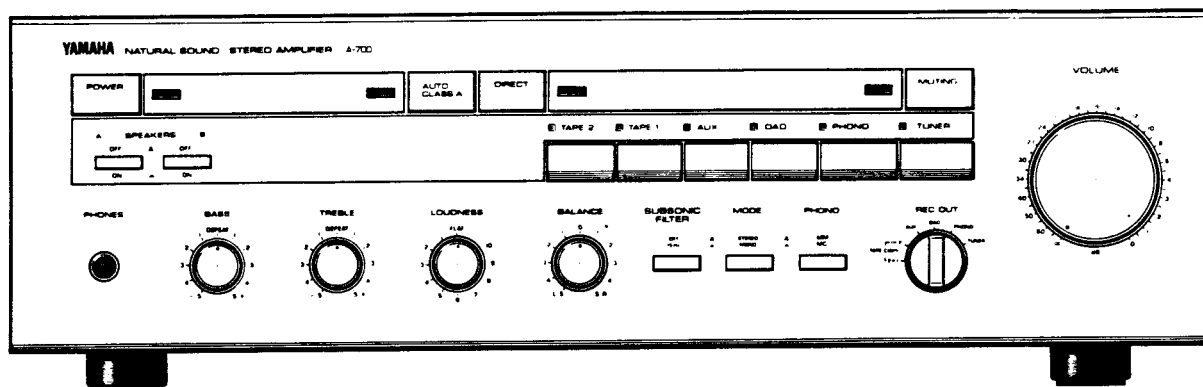


STEREO INTEGRATED AMPLIFIER A-700

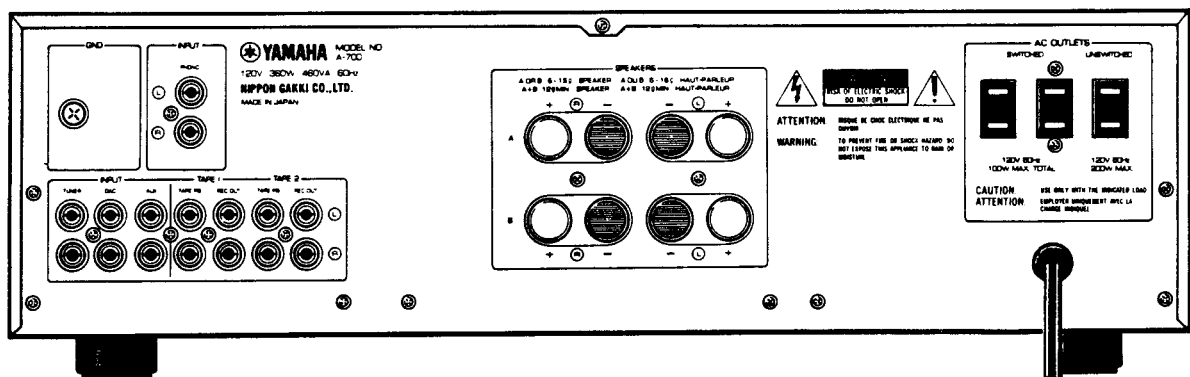
SERVICE MANUAL

U.C model



●Front Panel

U.C model



●Rear Panel

CONTENTS

Rear Panel.....	1	P.C Board Pattern Side ~Main.....	6
Specifications.....	2	P.C Board Markets.....	7
Block Diagram.....	2	Complete Circuit Diagram.....	8
Name of The Parts.....	3	Exploded View(Allover).....	9
Disassembly Instructions.....	3	Parts List(Allover).....	10
General Adjustments.....	4	Parts List(Electricity).....	13
P.C Board Parts Side ~Power Supply.....	5		

004536

SINCE 1887



YAMAHA

NIPPON GAKKI CO., LTD. HAMAMATSU, JAPAN

'83.7. 2.47K-66 ↑ Printed in Japan

ATTENTION SERVICE PERSONNEL

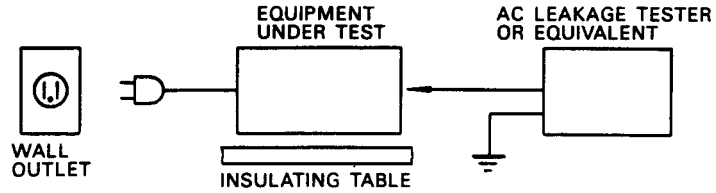
1. Critical Components Information.

Components having special characteristics are marked Δ and must be replaced with parts having specifications equal to those originally installed.

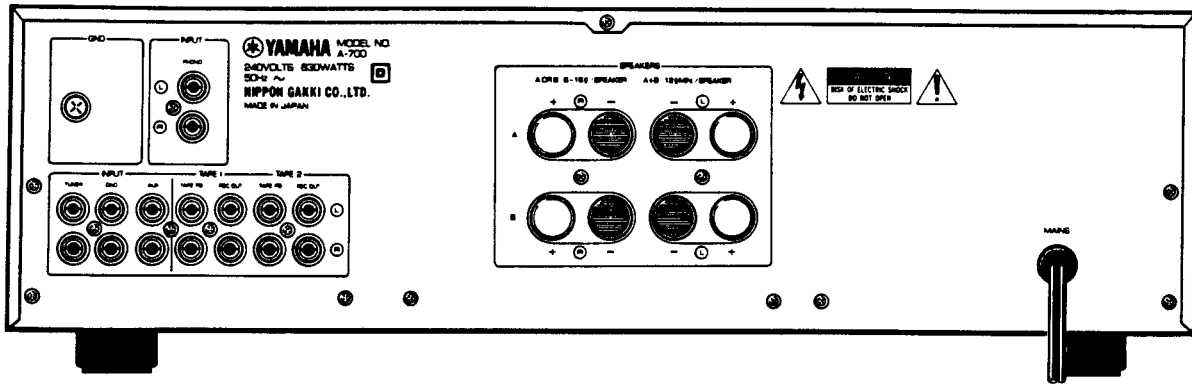
2. Leakage Current Measurement(For 120V Model Only).

When service has been completed, it is imperative that you verify that all exposed conductive surfaces are properly insulated from supply circuits.

- Meter impedance should be equivalent to 1500 ohm shunted by 0.15 μ F.
- Leakage current must not exceed 0.5mA.
- Be sure to test for leakage with AC plug in both polarities.

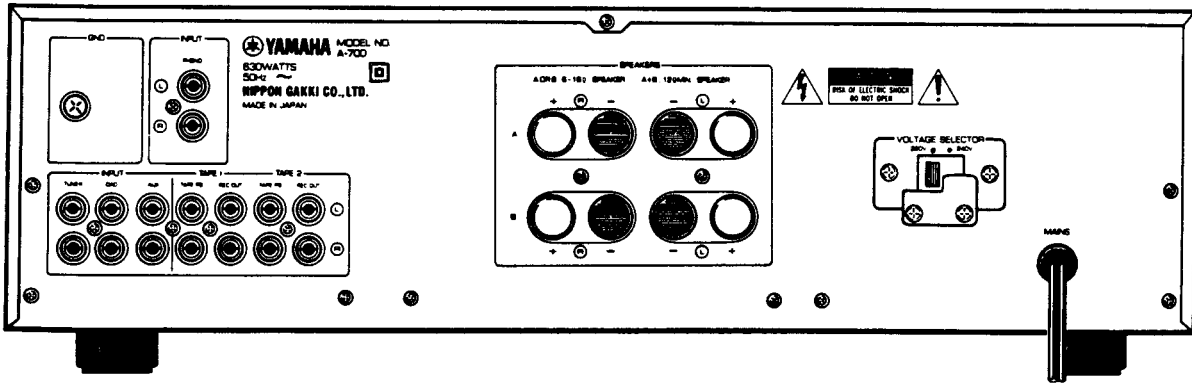


■ A model



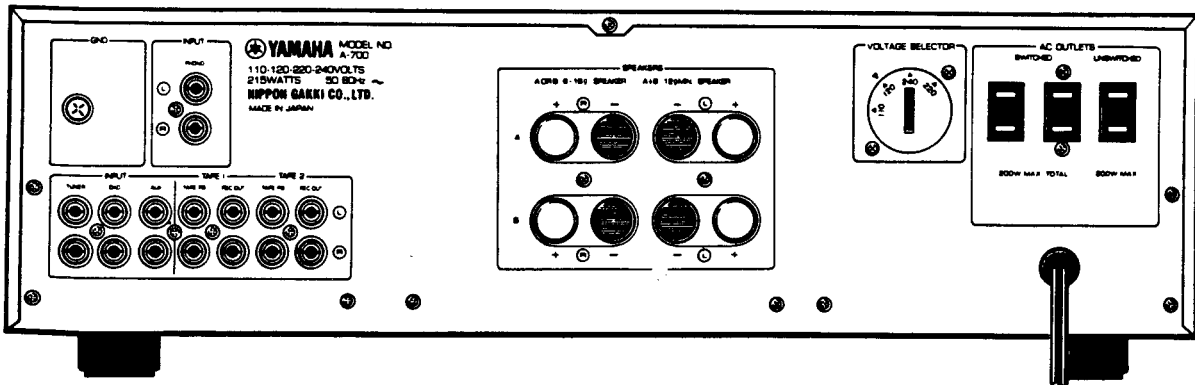
● Rear Panel

■ G.B model



● Rear Panel

■ R model



● Rear Panel

SPECIFICATIONS

*Specifications subject to change without notice.

Continuous Power Per Channel

20Hz ~ 20kHz (0.005% THD 8Ω)	100W
	(Class A 5W)
	(0.007% THD 6Ω)
1kHz (0.005% THD 8Ω)	105W
	(0.005% THD 6Ω)
	125W

Power Bandwidth

0.03% THD 50W (8Ω)	10Hz ~ 100kHz
--------------------	---------------

Damping Factor

1kHz 8Ω	90
---------	----

Input Sensitivity/Impedance

Phono MC	160μV/220Ω
MM	2.5mV/47kΩ
Aux, Tape Tuner	150mV/47kΩ

Input Sensitivity (New IHF)

Phono MC	16μV
MM	0.25mV
Aux, Tape, Tuner	15mV

Maximum Input Signal

1kHz, 0.01% THD Phono MC	10mV
MM	165mV

Output Level/Impedance

Rec Out	150mV/470Ω
---------	------------

Headphone Jack Rated Output/Output Impedance

0.05% THD 8Ω	0.81V/270Ω
--------------	------------

Frequency Response

20Hz ~ 20kHz Aux, Tape, Tuner	+0 dB
(Direct ON)	-0.5dB

RIAA Equalization Deviation

(20Hz ~ 20kHz)	
Phono MC	±0.3dB
MM	±0.2dB

Total Harmonic Distortion

Phono MC to Rec Out (3V)	0.006%
Phono MM to Rec Out (3V)	0.003%
Aux, Tape, Tuner to SP Out 50W/8Ω	0.005%

Intermodulation Distortion

Aux, Tape, Tuner Rated Output/8Ω	0.002%
1W/8Ω	0.003%

Signal to Noise Ratio (IHF-A-Network)

Phono MC (500μV Input Shorted)	76dB
MM (5mV, Input Shorted)	78dB
Aux, Tape, Tuner (Direct ON, Input Shorted)	106dB

Signal to Noise Ratio (New IHF)

Phono MC	74.5dB
MM	78dB
Aux, Tape, Tuner	85dB

Residual Noise (IHF-A-Network)

(Direct ON)	140μV
-------------	-------

Channel Separation

Phono MM Input Shorted 1kHz	70dB
Aux, Tape 5.1kΩ, 1kHz	65dB

Tone Control Characteristics

Bass boost/cut	±10dB (at 20Hz)
Bass turnover frequency	350Hz
Treble boost/out	±10dB (at 20kHz)
Turnover frequency	3.5kHz

Filter Characteristics

Low (Subsonic)	15Hz - 12dB/oct
----------------	-----------------

Continuous Loudness Control

(Level-related equalization)

Attenuation	-20dB (at 1kHz)
-------------	-----------------

Audio Muting

	-20dB
--	-------

Gain tracking error (0 to -60dB)

	2dB
--	-----

Power Supplies

	AC120V, 60Hz
--	--------------

Power Consumption

	360W
--	------

AC Outlets

Switched x 2	100W max. total
Unswitched x 1	200W max

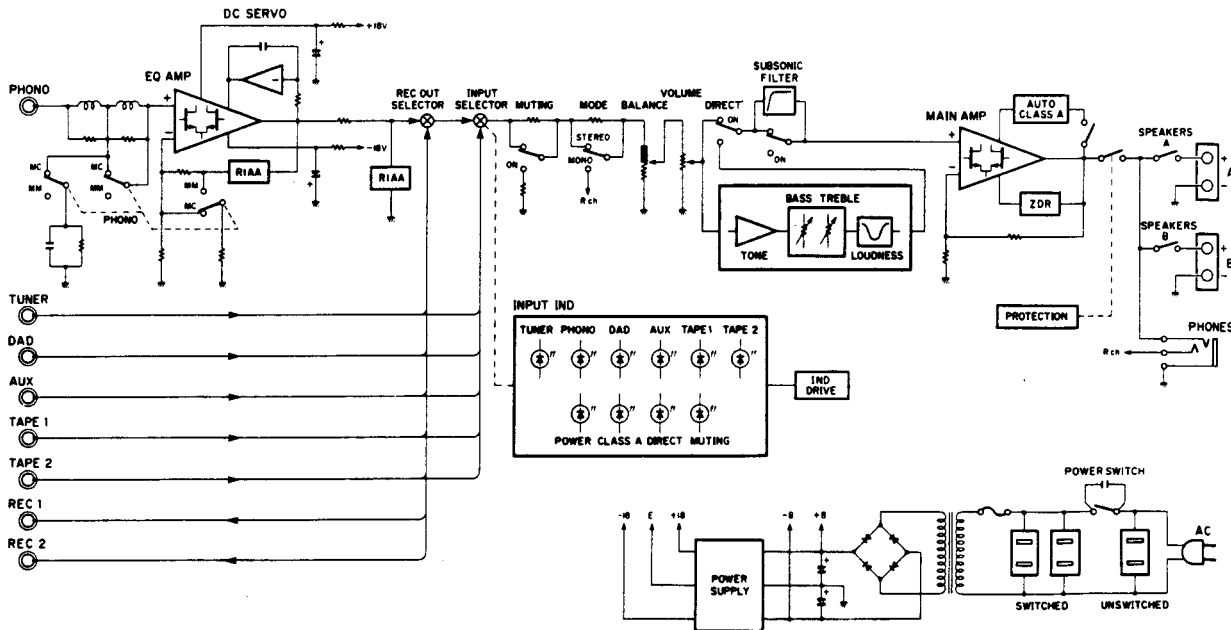
Dimensions (W x H x D)

	435 x 136 x 401.5
	(17-1/8 x 5-3/8 x 15-3/4")

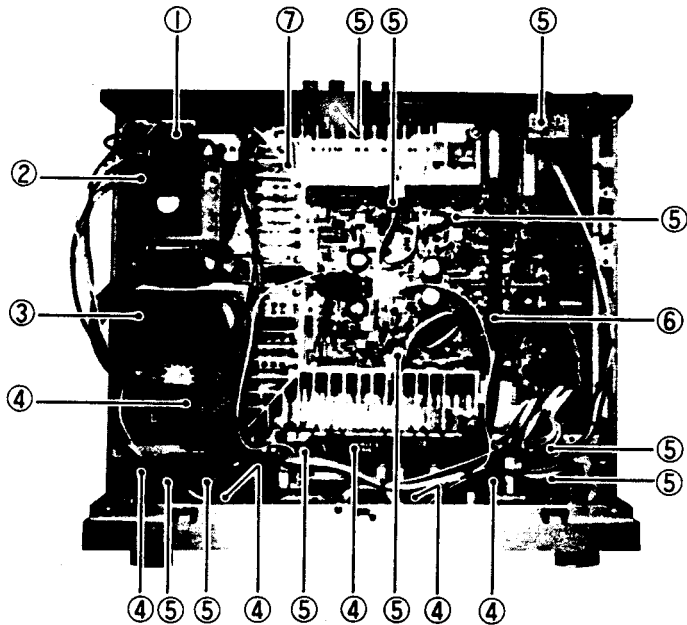
Weight

	11.2 kg
	(24.7 lbs.)

BLOCK DIAGRAM



■ NAME OF THE PARTS

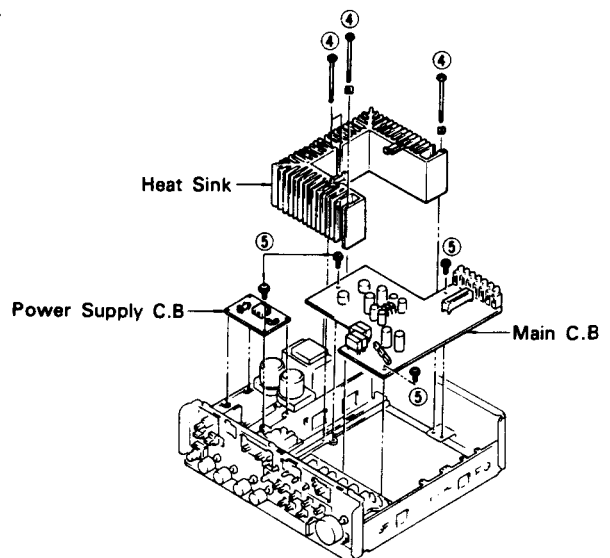
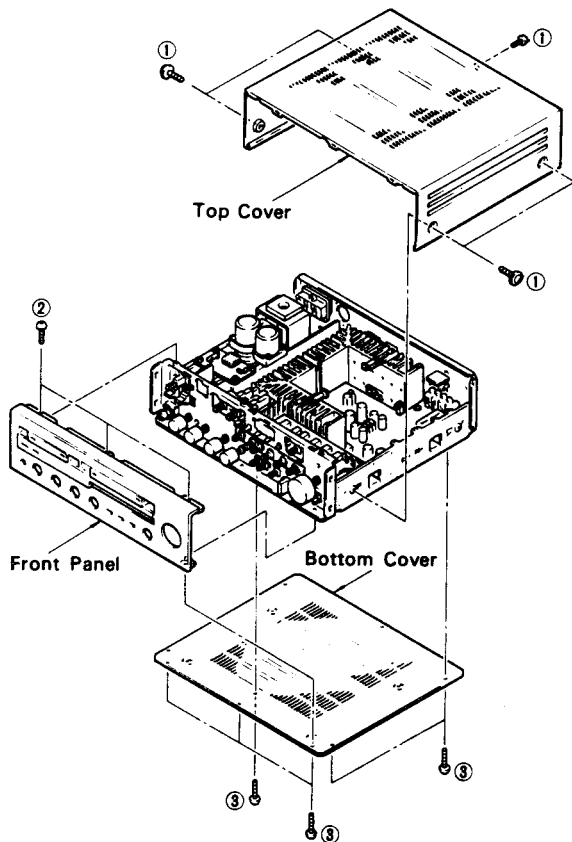


- ① A.C Outlet (triple)
- ② Power Transformer
- ③ Electrolytic Cap.
- ④ Power Supply C.B
- ⑤ Main C.B
- ⑥ Remote Rotary S.W
- ⑦ Heat Sink

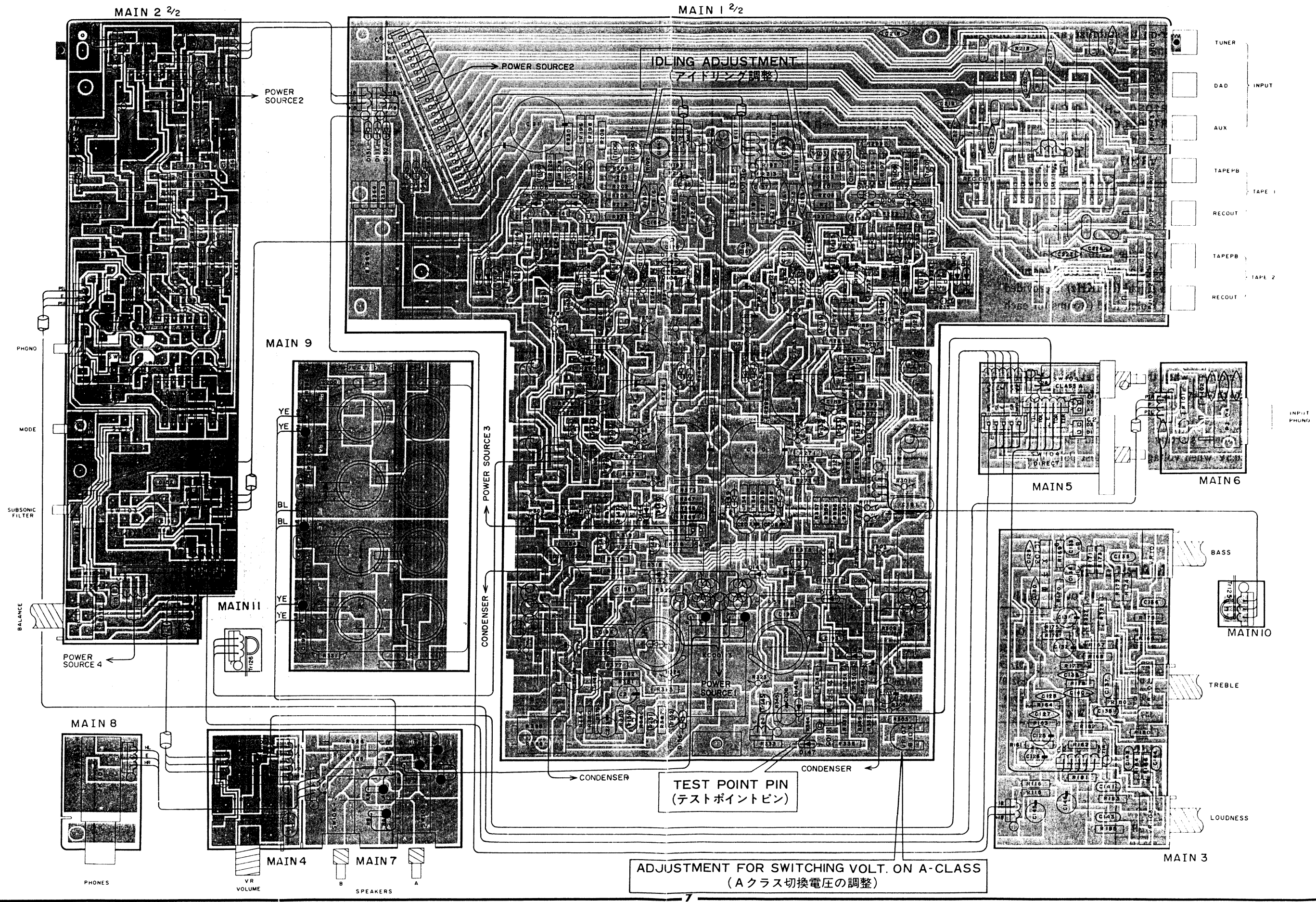
■ DISASSEMBLY INSTRUCTIONS

Remove parts in the following order.

1. Remove the top cover by removing screw ①.
2. Remove the front panel and the bottom cover by removing screws ② and ③.
3. Remove the Heat sink by removing screw ④.
4. Remove the main seat and the power seat by removing screw ⑤.



PRINTED CIRCUIT BOARD PATTERN SIDE ~ MAIN



■ GENERAL ADJUSTMENTS

Before Adjustments

- Wait 3~4 minutes after power-on to stabilize amplifier operation.
- Make sure that the main volume is minimum.

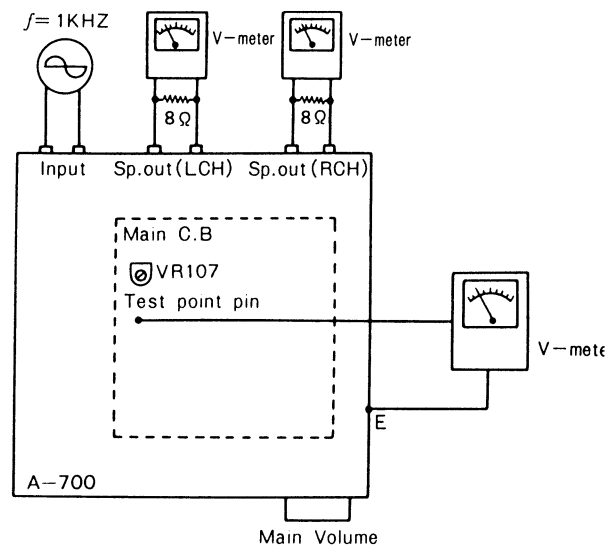
Step	Adjustment	Location	Test Equipment	Test point	Value
1	Idling adjustment (2 minutes aging without signal)	VR105(L CH) VR106(R CH)	D.C V-meter Digital tester	Both sides of R307(0.22Ω)~L CH Both sides of R308(0.22Ω)~R CH	15.5 ± 1mV
2	Adjustment for switching voltage on A-Class	VR107	D.C V-meter Digital tester	Between Test point pin and the Earth	+16V ↓ -16V

● Adjusting the A-Class switching voltage (See illustration)

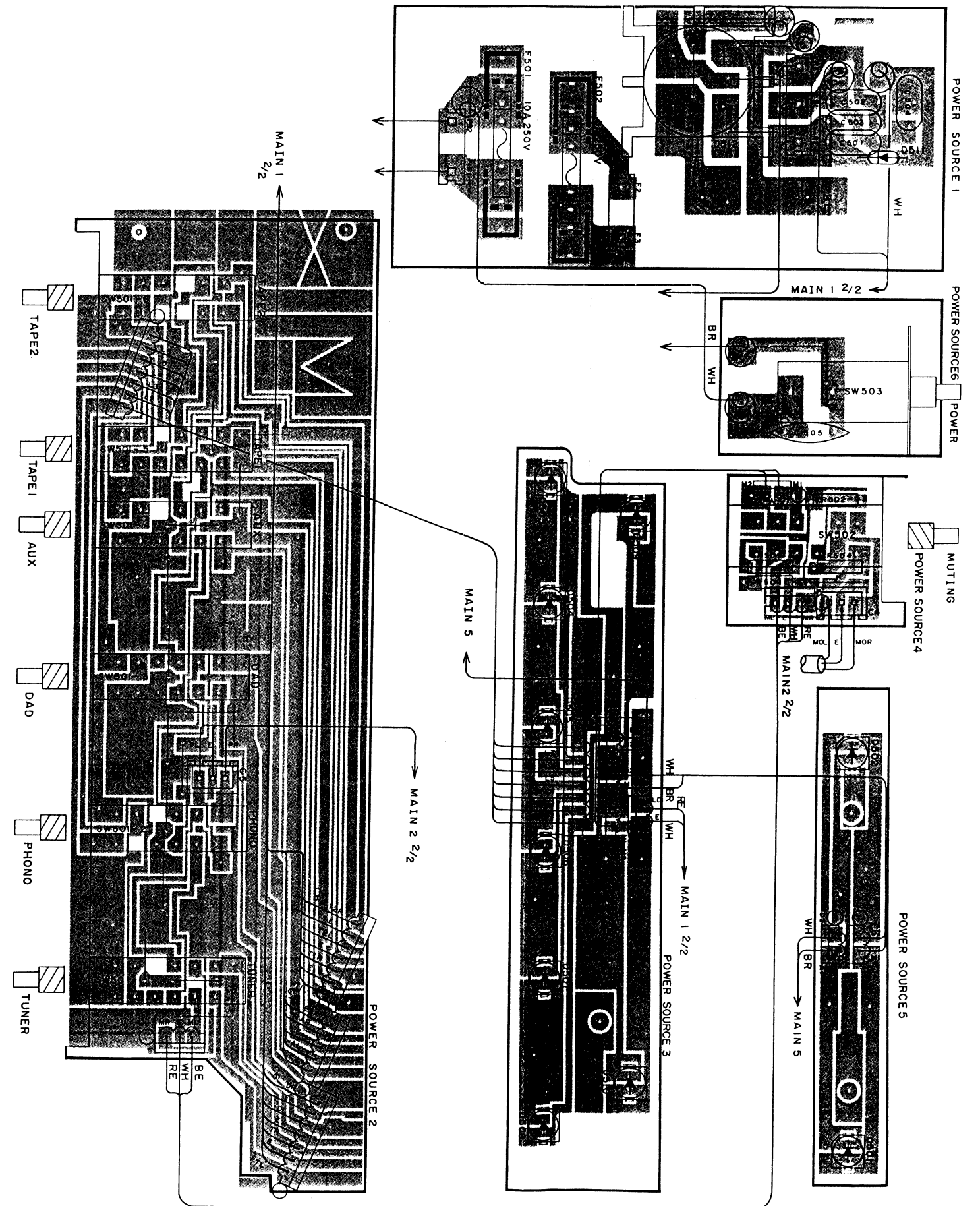
- Adjust the main volume until voltage at the S.P OUT terminal is 11V ± 0.5V (15W/8 ohms) when a signal (f=1KHz) is provided in the two channel drive mode at 8 ohm load (8ohms for each channel).
- Then, turn VR107 to the maximum level once, and gradually turn it backwards. Stop VR107 at the moment when the voltage at the test point pin changes from high to low levels (+16V to -16V).

Confirmation

Increase signal level slowly starting at zero, and check that the signal level is 11V ± 0.5V when voltage at the test point changes from high to low level.



■ PRINTED CIRCUIT BOARD PARTS SIDE ~ POWER SUPPLY



■ P.C BOARD PARTS MARKETS

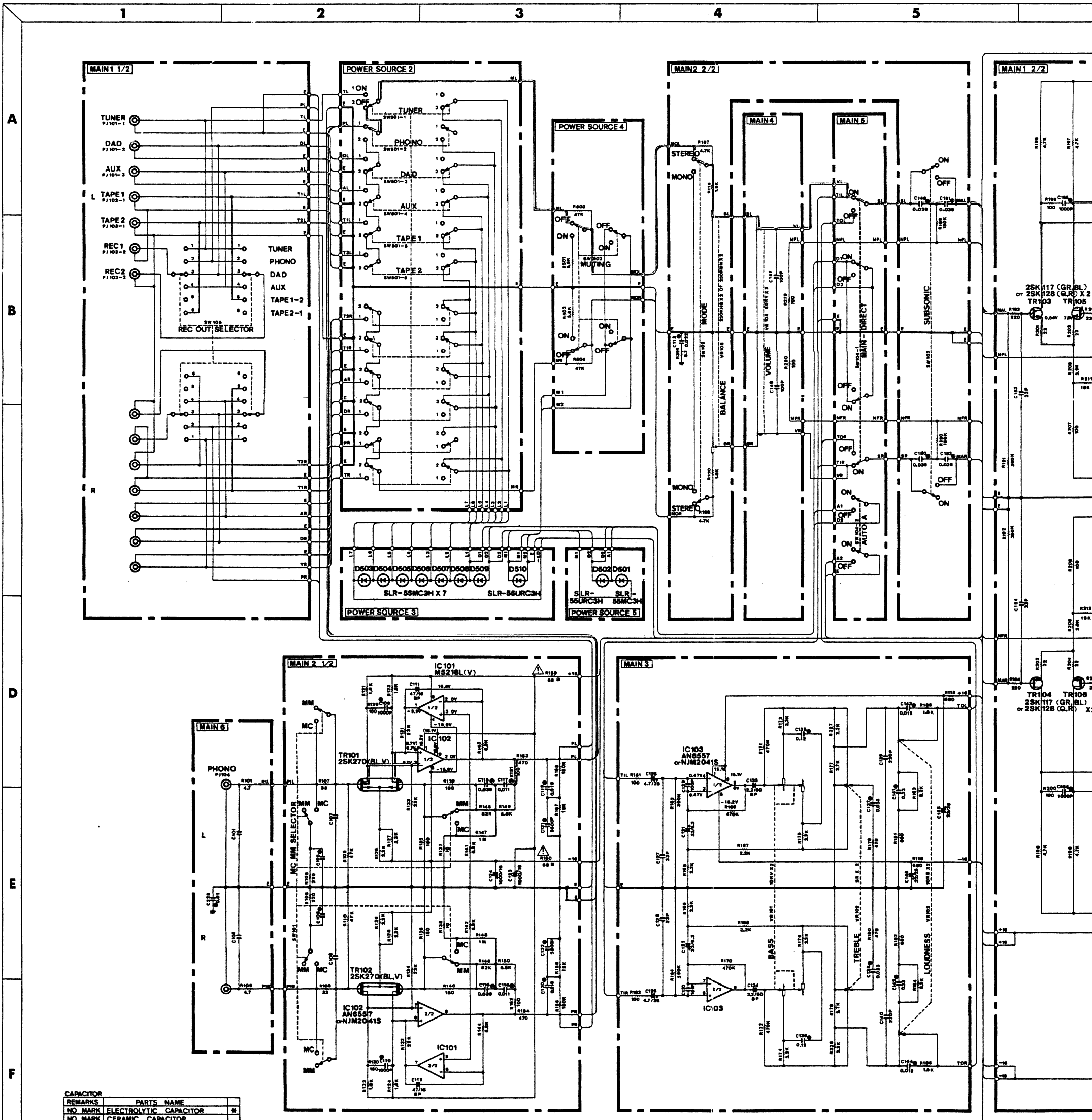
● Main C.B

	J	R,U,A,C	E
C101, 102	Open	Open	220P
C105, 106	0.01	0.01	0.022
C107, 108	Ⓟ 220P	Ⓟ 220P	120P
C187, 188	Open	Open	0.01
C197~200	Open	Open	0.018
C215~224	Open	Open	330P
R103, 104	Short	Short	1.2K
R107, 108	33	33	4.7K
R281, 282	Open	Open	10
R329~332	Open	Open	4.7
D107, 108	HZ9C-3	HZ-6CIL	HZ-6CIL
D123, 124	HZ12-B2	HZ9C-3	HZ9C-3
L101, 102	Open	Open	15μH
L103, 104	Open	Open	220μH

● Power Suply C.B

	J	U,C	R	A,G
C501, 502	Open	Open	Open	0.1/250
C503	0.1/250	0.1/250	0.1/250	Open
C505	0.01/250	0.01	0.01/250	
F501	10A250V	10A250V	10A250V	4.0A250V
F502	Open	Open	5A250V	Open
SW503	○	○	○	

COMPLETE CIRCUIT DIAGRAM



CAPACITOR	
REMARKS	PARTS NAME
NO MARK	ELECTROLYTIC CAPACITOR
NO MARK	CERAMIC CAPACITOR
●	POLYESTER FILM CAPACITOR
⊙	POLYPROPYLEN FILM CAPACITOR

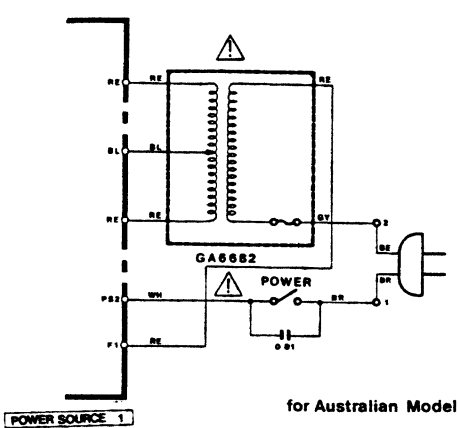
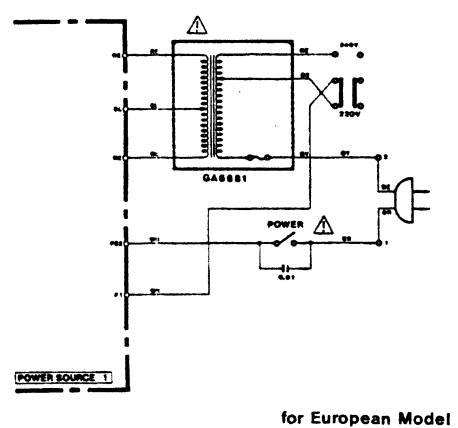
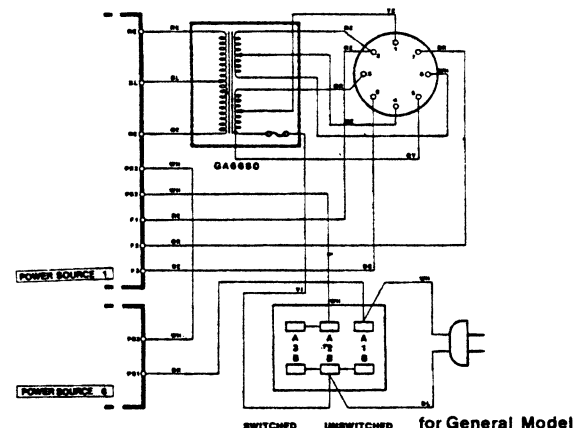
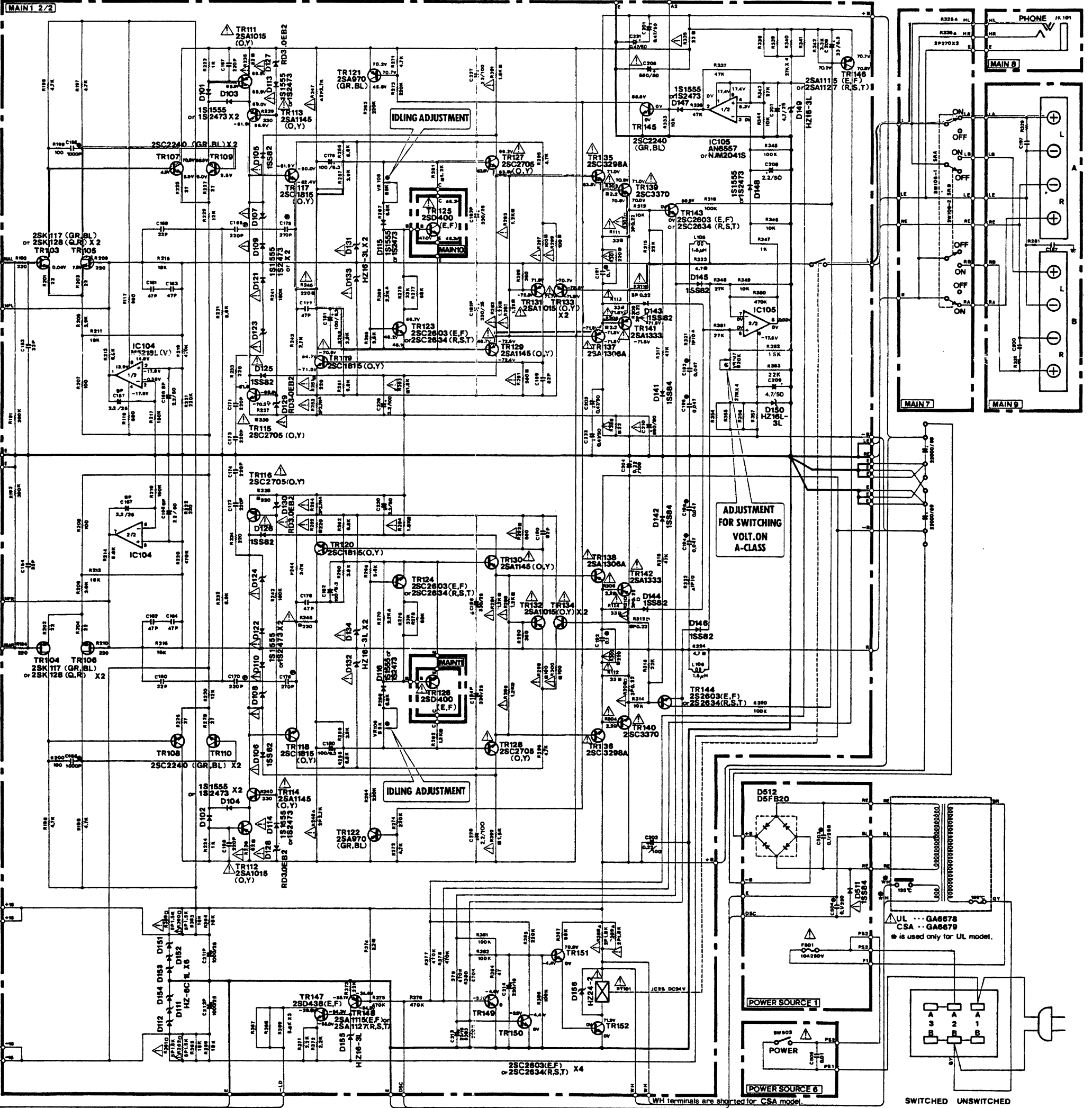
RESISTOR	
REMARKS	PARTS NAME
NO MARK	CARBON FILM RESISTOR
▲	METAL OXIDE FILM RESISTOR
△	METAL FILM RESISTOR
◆	METAL PLATE RESISTOR
■	FIRE PROOF CARBON FILM RESISTOR
●	SEMI VARIABLE RESISTOR

CAUTION

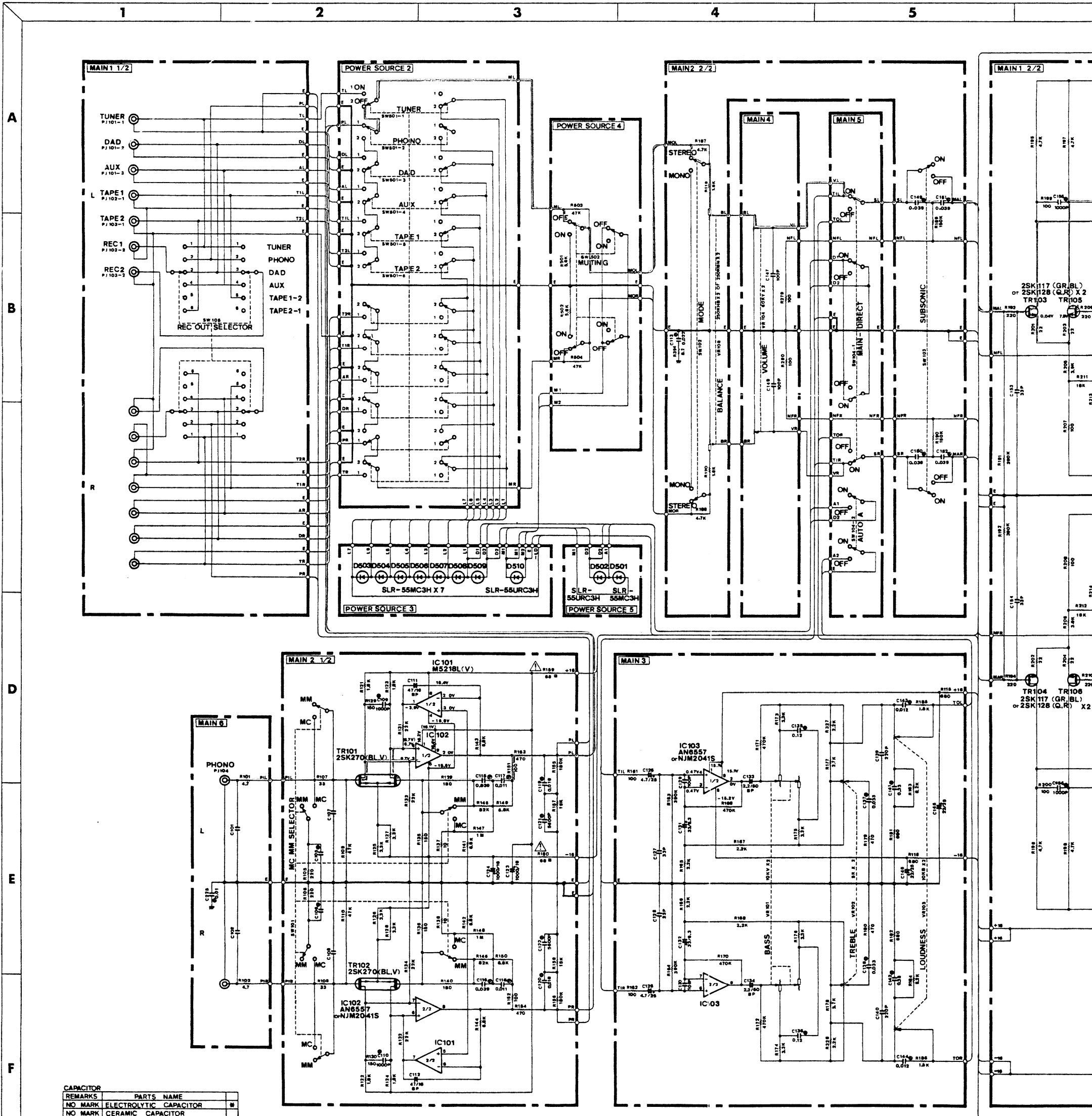
Components having special characteristics are marked Δ and must be replaced with parts having specifications equal to those originally installed.

Semiconductors

<p>AN6557 NJM2041S</p>	<p>M5218L</p>	<p>25C2603 25A1115</p>	<p>25C2705 25A1145 26D438 25A1145 25D400 25C2705</p>	<p>25C1815 25K117 25C2634 25A1015 25A970 25C2240</p>	<p>25C3298 25A1306</p>	<p>25A1333 25C3370</p>	<p>1S1555 1S2473 1S584 1S582</p>	<p>HZ-6C1L HZ24-2 HZ16-3L HZ9C-3</p>
----------------------------	---------------	----------------------------	--	--	----------------------------	----------------------------	--	--



COMPLETE CIRCUIT DIAGRAM



CAPACITOR	REMARKS	PARTS NAME
NO MARK	ELECTROLYTIC CAPACITOR	⊛
NO MARK	CERAMIC CAPACITOR	□
●	POLYESTER FILM CAPACITOR	⊕
⊙	POLYPROPYLEN FILM CAPACITOR	⊕

RESISTOR	REMARKS	PARTS NAME
NO MARK	CARBON FILM RESISTOR	□
△	METAL OXIDE FILM RESISTOR	△
▲	METAL FILM RESISTOR	▲
■	METAL PLATE RESISTOR	■
■	FIRE PROOF CARBON FILM RESISTOR	■
●	SEMI VARIABLE RESISTOR	●

CAUTION

Components having special characteristics are marked Δ and must be replaced with parts having specifications equal to those originally installed.

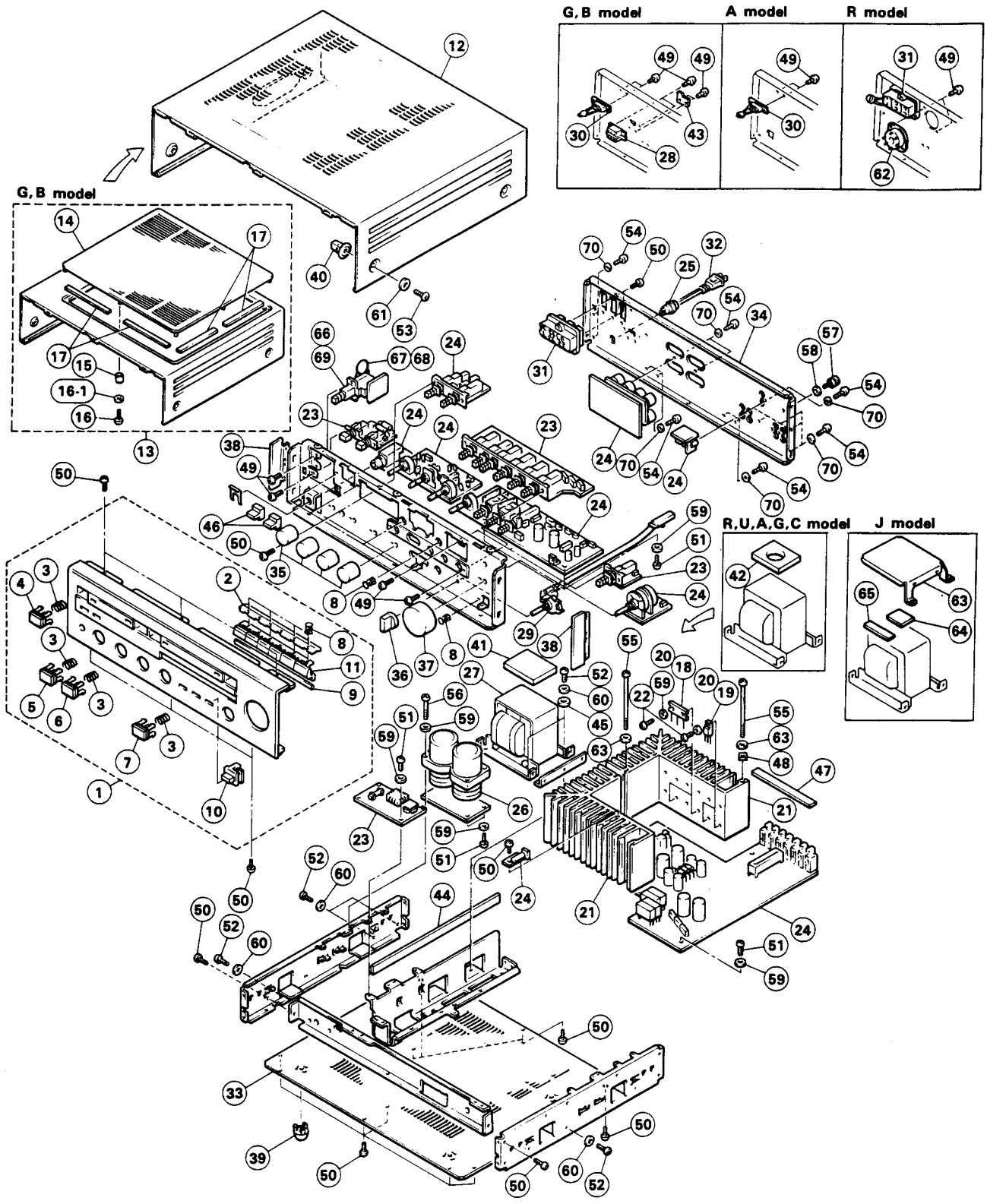
<http://www.manualscenter.com>

Semiconductors

<p>AN6557 NJM2041S</p>	1	Vcc	<p>M5218L</p>	1	A out
	2	A out		2	A(-)in
<p>2SC2603 2SA1115</p>	3	A(-)in	<p>2SC2705 2SA1145 2SD438 2SA1145 2SD400 2SC2705</p>	3	A(+)in
	4	A(+)in		4	Vcc(-)
	5	VEE		5	B(+)in
	6	B(+)in		6	B(-)in
	7	B(-)in		7	B out
	8	B out		8	Vcc(+)
	9	Vcc		8	Vcc(+)
	<p>2SC1815 2SK117 2SC2634 2SA1015 2SA970 2SC2240</p>	<p>2SC3298 2SA1306</p>		<p>2SA1333 2SC3370</p>	<p>1S1555 1S2473 1S584 1S582</p>

EXPLODED VIEW(Allover)

- 1
- 2
- 3
- 4
- 5
- 6
- 7



■PARTS LIST(Allover)

Ref. No.	Part No.	Description	部 品 名	Remarks	Common Model	Markets	ランク
* 1	NB 61 34 70	Panel Unit	パネルユニット			R.U.A.G.C	
* "	NB 61 52 70	"	"			J	160
* 2	AA 61 78 70	Cover	カバ				010
* 3	AA 61 78 80	Spring	スプリング				010
* 4	NB 61 41 30	Button P	ボタン(P) ASSY			R.U.A. G.C.B	
* "	NB 61 41 40	"	"			J	030
* 5	NB 61 41 60	Button C	ボタン(C) ASSY			J	030
* "	NB 61 54 20	"	"			R.U.A.G.C	
* 6	NB 61 41 70	Button D	ボタン(D) ASSY			R.U.A. G.C.B	
* "	NB 61 41 80	"	"			J	030
* 7	NB 61 41 90	Button M	ボタン(M) ASSY			R.U.A. G.C.B	
* "	NB 61 42 00	"	"			J	030
8	CB 06 88 80	Plastic Rivet	プラスチックリベット				010
* 9	CB 62 06 50	Damper	ダンパー				010
10	NB 60 42 60	Push Button	プッシュボタンASSY		T-6a	R.U.A. G.C.B	
"	NB 61 06 50	"	"		T-960II(B)	J	030
11	NB 61 01 90	Knob	ツマミ ASSY		A-500	R.U.A. G.C.B	
"	NB 61 06 30	"	"		A-500B	J	050
* 12	AA 61 76 00	Top Cover	トップカバー			R.U.A.C	
* "	AA 61 77 10	"	"			J	090
* 13	NB 61 34 90	Top Cover Unit	トップカバーユニット			G	
14	CB 09 00 50	Heat Grille	放 熱 板			G.B	
15	EZ 00 16 40	Roll Bush	φ6×4.5 FCM3-B# 巻 ブ ッ シ ュ			G.B	
16	Ei 33 00 66	Bind Tapping Screw	3.0×6 FCRM3-B# バインドタッピングネジ		PACK	G.B	
16-1	EV 20 20 36	Flat Washer	φ3 FCRM3-B# 平 座 金		PACK	G.B	
17	CB 07 41 90	Double Tack Tape	ダブルタックテープ				010
* 18	iX 60 16 30	Transister	2SA 1333	トランジスタ			08*
* "	iX 60 16 40	"	2SC 3370	"			08*
* 19	iX 60 16 50	"	2SA 1306A	"			04*
* "	iX 60 16 60	"	2SC 3298A	"			04*
* 20	iL 00 05 10	Mica Base	マイカベース				010
* 21	BA 08 64 00	Heat sink	放 熱 板				090
22	EZ 00 13 50	Cup Screw	3×14 FCRM3-B# 鉄カップスクリュー (Bタイト)				
* 23	NA 08 23 00	Power Circuit Bord	電 源 シ ー ト			J	16*
* "	NA 08 23 10	"	"			R	
* "	NA 08 23 20	"	"			U.C	
* "	NA 08 23 30	"	"			A.G	
* 24	NA 08 23 50	"	メ イン シ ー ト			J	330
* "	NA 08 23 60	"	"			R.U.A.C	
* "	NA 08 23 80	"	"			G	
25	CB 61 68 10	Cord Stopper	CM-22A	コードストッパー		J	010
* "	CB 62 01 90	"	CM-22B	"		R.A.G	
* "	CB 62 02 00	"	CM-22C	"		U.C	
* 26	FZ 00 45 60	Electrolytic Cap	22000/69V	ケミコンセット		J	160
* 27	GA 66 77 00	Power Transformer		電 源 ト ラ ン ス		U	180
* "	GA 66 78 00	"		"		U	
* "	GA 69 79 00	"		"		C	

*New Parts

ランク: Japanese Model Only

△
△
△

Ref. No.	Part No.	Description	部 品 名	Remarks	Common Model	Markets	ランク
* 27	GA 66:81:00	Power Transformer	電 源 ト ラ ン ス			G	
* "	GA 66:82:00	"	"			A	
* "	GA 66:80:00	"	"			R	
* 28	KA 40:12:60	Slide Switch	SS-12 5A140A	ス ラ イ ド S W		G	
* 29	KA 90:55:40	Remote Rotary Switch	ESA-33	リ モ ー ト ロ ー タ リ S W			050
* 30	LA 00:29:50	2P Relay Terminal	MA0092A	2P チ ュ ー ケ イ タ ン シ ョ ー		A.G	
* 31	LB 60:39:20	AC Soket	M7026-C 3連	A C ア ウ ト レ ッ ト		J.R.U	030
"	LB 60:43:20	"	"	"		C	
* 32	MG 00:17:50	AC Cord	2.2m 7A125V	電 源 コ ー ド	} Interchangeable (併用)	J	040
* "	MG 00:17:60	"	"	"		J	040
"	MG 00:14:50	"	1.98m 10A125V	"	} Interchangeable (併用)	U.C	
"	MG 00:14:60	"	2m 10A125V	"		U.C	
"	MG 00:14:90	"	2.5m 7.5A250V	"	} Interchangeable (併用)	A	
"	MG 00:09:20	"	"	"		A	
* "	MG 00:16:20	"	2m 2.5A250V	"		G	
* "	MG 00:16:30	"	2m 6A250V	"		R	
* 33	AA 61:76:10	Bottom Cover		ボ ト ム カ バ ー			060
* 34	AA 61:76:60	Rear Panel		リ ヤ パ ネ ル		J	060
* "	AA 61:77:60	"		"		R	
* "	AA 61:77:70	"		"		U.C	
* "	AA 61:77:80	"		"		A	
* "	AA 61:79:40	"		"		G.B	
35	BA 08:24:90	Knob		ツ マ ミ	K-500	R.U.A. G.C.B	
"	BA 08:29:30	"		"	K-500(B)	J.B	040
36	BA 08:49:10	Sw-Knob		S W ツ マ ミ	A-500	R.U.A. G.C.B	
"	BA 08:51:10	"		"	A-500(B)	J	050
* 37	BA 08:65:30	Vol-Knob		V O L ツ マ ミ		R.U.A. G.C.B	
* "	BA 08:65:40	"		"		J.B	050
* 38	CB 62:07:10	Side Cover		サ イ ド カ バ ー		R.U.A. G.C.B	
* "	CB 62:07:20	"		"		J	020
* 39	CB 62:07:30	Tran Leg		脚			010
* 40	CB 62:12:70	Screw Grommet		ス ク リ ュ ー グ ロ ム ェ ッ ト			010
* 41	CB 62:14:20	Damper		ダ ン パ ー		G	
* 42	CB 62:33:90	"		"		R.U.A.C.JE	
43	CB 60:14:40	Vs Stopper		V S ス ト ッ パ ー	A-6	G.B	
* 44	CB 62:31:40	Damper Anti Bibration		防 振 ダ ン パ			010
* 45	CB 62:30:40	Insulating Bush		絶 縁 ブ ッ シ ュ			010
"				"			
46	NB 60:91:80	Button F		ボ タ ン (F) A S S Y	T-500	R.U.A. G.C.B	
"	NB 60:92:00	"		"	T-500	J	030
* 47	CA 07:44:90	Spacer Anti Bibration		防 振 ス ペ ン サ ー			010
* 48	CA 07:45:00	Insulating Fiber		絶 縁 フ ァ イ バ ー			010
49	ED 33:00:60	Bind Head Screw	3×6 クロプロ-BI	鉄 バ イ ン ド 小 ネ ジ			010
50	Ei 33:00:86	Bind Tap Tight Screw	3×8 FCM3-BI	鉄 バ イ ン ド タ ッ ピ ン グ	PACK		010
51	Ei 23:00:80	Head Tapping Screw	3×8 FCRM3-BI	ヘ ッ ド タ ッ ピ ン ネ ジ 2 種			010
52	Ei 34:01:06	"	4×10 FCRM3-BI	"	PACK		010
* 53	EK 95:00:60	Tap Tight Screw	4×8 FCRM-3BI	タ ッ プ タ イ ト		R.U.A. G.C.B	

*New Parts

ランク: Japanese Model Only

Ref. No.	Part No.	Description	部 品 名	Remarks	Common Model	Markets	ランク
*	HS 32:07:00	Rotary VR	60KY×2	ロータリーVR 24型	VR104		050
	HT 37:00:50	Semi Variable VR	B5K	半 固 定 抵 抗	VR105,106		021
	HT 37:00:80	"	B20K	"	VR107		021
	HU 57:62:20	Metal Film Resistor	2.2kΩ	金 属 皮 膜 抵 抗	R269,270		021
*	HV 45:34:70	Frame Roof Resistor	4.7Ω ERD-25FV	不 燃 化 カ ー ボ ン 抵 抗	R329~332		010
*	HV 45:32:20	"	2.2Ω ERD-25FV	"	R303~306		010 △
	HV 45:34:70	"	4.7Ω ERD-25FV	"	R323,324		010
	HV 45:42:20	"	22Ω ERD-25FV	"	R335,358		010 △
*	HV 45:43:30	"	33Ω FRD-25FV	"	R111~114		010 △
	HV 45:48:20	"	82Ω ERD-25FV	"	R235,236		010 △
	HV 45:52:20	"	220Ω ERD-25FV	"	R245,246,251,252,301,302		010 △
	HV 45:53:30	"	330Ω ERD-25FV	"	R237,238		010
	HV 45:55:60	"	560Ω ERD-25FV	"	R291,292		010 △
*	HV 45:51:00	"	100Ω ERD-25FV	"	R159,169,297~300		010 △
	HV 45:61:20	"	1.2kΩ ERD-25FV	"	R283~288		010 △
*	HV 45:61:50	"	1.5kΩ ERD-25FV	"	R391,392		010 △
	HV 45:61:80	"	1.8kΩ ERD-25FV	"	R393,394		010 △
*	HZ 00:32:40	Cement Moulded Resistor	0.22Ω 3P	セ メ ン ト 抵 抗	R307~310		010 △
*	HZ 00:32:10	"	0.22Ω 5P	"	R311,312		02A △
	iA 09:70:00	Transistor	2SA970 GR,BL	ト ラ ン ジ ス タ	TR121,122		031
	iA 10:15:70	"	2SA1015 O,Y	"	TR111,112,131~134,146,148		031 △
	iA 11:45:00	"	2SA1145 O,Y	"	TR113,114,129,130		031 △
	iC 18:15:70	"	2SC1815 O,Y	"	TR117~120		031 △
	iC 22:40:00	"	2SC2240 GR,BL	"	TR107~110,145		031
*	iC 26:03:10	"	2SC2603 E,F	"	TR123,124,143,144,149~152	} Interchangeable (併用)	031 △
	iC 26:34:00	"	2SC2634 R,S,T	"	"		031
	iC 27:05:00	"	2SC2705 O,Y	"	TR115,116,127,128		031 △
	iD 04:00:10	"	2SD400 F	"	TR125,126		031 △
	iD 04:38:00	"	2SD438 E,F	"	TR147		031
	iE 10:27:10	Dual FET	2SK270 BL,V	デュアルFET	TR101,102		040
	iE 10:34:10	FET	2SK117 GR,BL	F E T	TR103~106	} Interchangeable (併用)	031
	iE 10:35:00	"	2SK128 Q,R	"	"		031
	iF 00:00:40	Diode	1S1555	ダ イ オ ー ド	D101~104,109,110,113~116,121,122,147,148	} Interchangeable (併用)	010
	iF 00:06:70	"	1S2473	"	"		010 △
	iF 00:13:80	"	1SS84	"	D141,142	} Interchangeable (併用)	010
	iF 00:14:00	"	1SS82	"	"		021
	iF 00:15:10	Zener Diode	HZ-6CIL	ツェナーダイオード	D111,112,117,135,151~154		010
	iF 00:18:40	"	RD3,OE2	"	D127~130		010 △
	iF 00:19:40	"	HZ24-2	"	D156		010
	iF 00:20:80	"	HZ16-3L	"	D131~134,149,150,155		010 △
	iF 00:15:10	"	HZ-6CIL	"	D107,108		R.U.A.G.C △
	iF 00:33:20	"	HZ9C-3	"	"	J	010
	iF 00:33:20	"	"	"	D123,124	} Interchangeable (併用)	R.U.A.G.C △
	iF 00:23:50	"	HZ12-B2	"	"		J
	iF 00:14:00	Diode	1SS82	ダ イ オ ー ド	D105,106,125,126,141~146		021 △
	iG 07:69:00	IC	NJM2041S	I C	IC102,130	} Interchangeable (併用)	050
	iG 08:52:00	"	AN6557	"	"		030

*New Parts

ランク: Japanese Model Only

PARTS LIST(ELECTRICITY)

Ref. No.	Part No.	Description	部 品 名	Remarks	Common Model	Markets	ランク
*	NA 08:23:50	Main Circuit Board	メ イン シ ー ト			J	330
*	NA 08:23:80	"	"			R,U,A,C	
*	NA 08:23:80	"	"			G	
*	FC 36:31:00	Mylar Cap.	マイラ ー コ ン	C109,110,155,156			010
*	FA 15:35:60	"	"	C121,122			010
*	FC 36:41:00	"	"	C105,106,143,144,225			010
*	FA 15:43:30	"	"	C137,138	Interchangeable (併用)		010
*	UA 25:43:30	"	"	"			021
*	FA 15:43:90	"	"	C149~152	Interchangeable (併用)		010
*	UA 25:43:90	"	"	"			021
*	FA 15:41:80	"	"	C113,119,120			010
*	FC 36:44:70	"	"	C193~196			021
*	FF 11:21:00		ス チ コ ン	C147,148,153,154			010
*	FT 55:22:20	Polypropylene Film Cap.	ポリプロ コ ン	C167,168,173,174			031
*	FT 55:22:70	"	"	C175,176			031
*	FC 36:41:00	Mylar Cap.	マイラ ー コ ン	C187,188		G	
*	FV 44:83:30	Electrolytic Cap.	プラスチックケミコン	C183~186			030
*	FV 44:91:00	"	"	C123,123,211,212			030
*	FZ 00:46:20	B.P Electrolytic Cap.	B.P 小型ケミコン	C111,112			010
*	FZ 00:46:30	"	"	C157,158			010
*	FZ 00:46:80	Electrolytic Cap.	小型ケミコン	C205,210			040
*	FZ 00:49:40	Mylar Cap.	マイラ ー コ ン	C191,192			010
*	FA 15:41:80	"	"	C197~200		G	
*	FA 15:51:20	"	"	C135,136			010
*	UA 55:53:30	Mylar Cap.	マイラ ー コ ン	C141,142			021
*	UK 16:62:20	B.P Cap.	B.P コ ン	C133,134,165,166			010
*	UM 02:82:20	Electrolytic Cap.	小型ケミコン	C214			010
*	UT 46:41:10	Polypropylene Cap.	ポリプロ コ ン	C117,118			010
*	UT 46:43:90	"	"	C115,116			020
*	UW 81:81:00	Electrolytic Cap.	小型ケミコン自立型	C179~182			010
*	UW 91:73:30	"	"	C131,132,206			010
*	UW 95:71:00	"	"	C145,146,213			010
*	UW 96:54:70	"	"	C231~234,201~204			010
*	UW 96:62:20	"	"	C208			010
*	UW 96:64:70	"	"	C125,126,207,209			010
*	FC 36:42:20	Mylar Cap.	マイラ ー コ ン	C105,106		G	
*	GD 90:05:20	Output Coil	アウトプットコイル	L105,106			010
*	GE 90:08:40	Choke Coil	チョークコイル	L101,102		G	
*	GE 90:03:30	"	"	L103,104		G	
*	HL 71:41:00	Metal Oxide Resistor	酸 金 抵 抗	R321,322			010
*	HL 72:52:70	"	"	R325,326			010
*	HL 32:61:80	"	"	R388,389			010
*	HL 32:62:70	"	"	R247,248,253,254			010
*	HM 05:61:50	Cement Moulded Resistor	セメント抵抗	R359~362			020
*	HS 31:21:10	Rotary VR	ロータリーVR 16型	VR102			040
*	HS 31:21:20	"	"	VR108			040
*	HS 31:21:30	"	"	VR103			040
*	HS 31:21:50	"	"	VR101			040

*New Parts

ランク; Japanese Model Only

Ref. No.	Part No.	Description	部 品 名	Remarks	Common Model	Markets	ランク
* 0	NA 08:23:00	Power Circuit Board	電 源 シ ー ト				16*
* 0	NA 08:23:10	"	"			R	
* 0	NA 08:23:20	"	"			U.C	
* 0	NA 08:23:30	"	"			A.G	
	iF 00:42:70	LED (RED)	SJR-55URC3H	L E D (赤)	D501,510		010
	iF 00:42:80	LED (GREEN)	RLR-55MC3H	L E D (緑)	D502,503~509		010
	iF 00:14:00	Diode	1SS82	ダ イ オ ー ド	D511		021
	iH 00:11:30	Diode Bridge	D5FB20	ダイオードブリッジ	D512		050
	KA 80:35:20	Push Switch	SDL TV-5	プ ッ シ ュ S W	SW503	A-500	J.R.U.C 030
* 0	KA 80:29:90	"	SUL 4-2NS	プ ッ シ ュ (6連)	SW501		070
* 0	KA 80:40:70	"	SUN 4-2NS	"	SW502		030
	LA 00:21:40	Wrapping Terminal Type-I	P=10 2P	I型ラッピング端子板			J.R.U.C.A 010
	LA 00:23:20	"	P=7.5 3P	"			010
	LB 20:10:60	Fuse Holder Pin	YSH 403T	ヒューズホルダーピン			A.G
	LB 20:19:70	"	23165081	"			J.R.U.C 010
	LB 91:80:30	XH Base Pin I Model	3P	XHベースピンI型			010
	FZ 00:46:60	MM Ceramic Cap	250V 0.01 μ F	M M コ ン	C504		010
	FZ 00:46:60	"	"	"	C503		R.U.C
	FZ 00:46:60	"	"	"	C501,502		A.G
	Fi 40:41:00	Ceramic Cap	"	セ ラ コ ン	C505		J.R 012
	Fi 41:41:00	"	"	"	"		U.C
	KB 00:07:90	Fuse	4.0A 250V	ミニチュアヒューズ	F501		A.G
	KB 00:13:90	"	10.0A 250V	ヒ ュ ー ズ	"		U.C
	KB 00:14:90	"	"	"	"		J.R 010
	KB 00:04:00	"	5.0A 250V	"	F502		R

*New Parts

ランク: Japanese Model Only

Ref. No.	Part No.	Description	部 品 名	Remarks	Common Model	Markets	ランク
	IG 08:57:00	IC	M5218L V	I C	IC101,104,105		030
	KA 80:28:20	Push Switch	2-2	プ ッ シ ュ S W	SW102,103		030
	KA 80:35:00	"	S6-2	"	SW101		030
*	KA 80:40:20	"	NS4-2,2-2	"	SW104		040
*	KA 80:40:30	"	NS1A	"	SW106		040
	KA 90:10:70	Remote Rotary Switch	NS4-6	リモートロータリーSW	SW105		040
	KC 00:11:30	Relay	DC24V Jc2a	リ レ -	RY101	J.G	060
	KC 00:11:50	"	DC24V Ja2a	"	"	R.U.A.C	
	LB 30:17:10	Head Phone Jack	Gray	ヘッドホンジャック		R.U.A.G.C	
	LB 30:17:20	"	Black	"		J	020
*	LB 20:25:60	Pin Jack 2P		2 P ビンジャック	PJ104		030
	LB 40:10:30	Pin Jack 4P		4 P ビンジャック	PJ102,103	K-1000	020
*	LB 66:66:90	Pin Jack 6P		6 P ビンジャック	PJ101		030
	LA 00:21:10	Wrapping Terminal Type-I	P=5 2P	I 型ラッピング端子板		R.U.A.C	
*	LA 00:45:60	Screw Terminal	8P	ネジターミナル		J.R.U.C.A	050
	LB 91:20:20	Short Plug Type-I	2P	ショートプラグI型			010
	LB 91:80:20	XH Base Pin Type-I	"	XHベースピンI型			010
	LA 00:41:20	Test Point Pin		テストポイントピン			010
	LB 91:80:50	XH Base Pin Type-I	5P	XHベースピンI型			010
	LB 91:80:70	"	7P	"			010
	LA 00:46:80	Screw Terminal	8P	ネジターミナル		G	
	CB 06:92:50	Binding Tie	BK-1	インシュロックタイ			010
*	BB 07:04:30	Basber	↓=145	バ ス バ ー			020
	BB 06:83:70	Earth Metal		ア ー ス 金 具			010
	CB 08:60:30	Print Spacer		プリントスペーサー	A-1		010
	CB 09:12:90	Circuit Board Holder		基板ホルダー	MS-3000		010
	AA 61:47:20	2040 Shield Plate		シールド板	A-500		020
	FG 41:12:20	Ceramic Cap	22P 50V	セ ラ コ ン	C159,160		010
	FG 41:22:20	"	220P 50V	"	C101,102	G	
	FG 41:14:70	"	47P 50V	"	F127,128,161~ F64,177,168		010
	FG 41:18:20	"	82P 50V	"	C129,130,189,190		010
	FG 41:22:20	"	220P 50V	"	C139,140,169~172		010
	FG 41:23:30	"	330P 50V	"	C215~224	G	
	FG 41:21:20	"	120P 50V	"	C107~108	G	
	FG 41:22:20	"	220P 50V	"	"	J.R.U.C.A	010
	UW 69:62:20	Electrolytic Cap	2.2μ 100V	小 型 ケ ミ コ ン	C227~230		010

*New Parts

ランク: Japanese Model Only