

Service Manual

ORDER NO.
ARP2021

FM/AM DIGITAL SYNTHESIZER TUNER

F-656MARKII HE, HEWZ

F-656MARKII-S HEWZ

MODEL F-656MARKII AND F-656MARKII-S HAVE FOLLOWING VERSIONS:

Type	Applicable model		Power requirement	Export destination
	F-656MARKII	F-656MARKII-S		
HE	○	×	AC220V, 240V(switchable)*	European continent
HEWZ	○	○	AC220V, 240V(switchable)*	West Germany
HIX1B	○	×	AC220V, 240V(switchable)*	Italy

* Change the primary wiring of the power transformer.

- Refer to the service manual ARP1812, F-656/KUC.
- This manual is applicable to the F-656MARKII/HEWZ, HE and F-656MARKII-S/HEWZ types.
- The F-656MARKII-S is the same as the F-656MARKII except for color.
- F-656MARKII is an improved model of F-656 in which the following points have been changed.
- The number of channel calls of the microcomputer has been changed from 24 stations to 36 stations.
- The front panel and the external appearance have been slightly changed.

1. CONTRAST OF MISCELLANEOUS PARTS

NOTES:

- Parts without part number cannot be supplied.
- The Δ mark found on some component parts indicates the importance of the safety factor of the part. Therefore, when replacing, be sure to use parts of identical designation.
- Parts marked by "⊙" are not always kept in stock. Their delivery time may be longer than usual or they may be unavailable.

The F-656MARKII/HEWZ, HE and F-656MARKII-S/HEWZ types are the same as the F-656/KUC type with the exception of the following sections.

Mark	Symbol & Description	Part No.				Remarks
		F-656/KUC	F-656MARKII/HEWZ	F-656MARKII/HE	F-656MARKII-S/HEWZ	
	Tuner assembly	AWZ2416	AWZ2981	AWZ2980	AWZ2981	
Δ	AC power cord	ADG-088	ADG1010	ADG1021	ADG1010	
Δ	Fuse (FU101, 500mA/125V)	AEK-136	AEK-407	AEK-407	AEK-504	
Δ	Fuse (FU101, T315mA/250V)	...	AEK1033	AEK1033	AEK1033	
	Panel base	AMB1464	AMB1626	AMB1626	AMB1627	
	Bonnet case	AZN1745	AZN1745	AZN1745	AZN1803	
	Station call knob	AAD1549	AAD1751	AAD1751	AAD1753	
	Station call knob	AAD1550	AAD1752	AAD1752	AAD1754	
	Acrylic panel	AAK1717	AAK1685	AAK1685	AAK1685	
	FL filter	AAK1786	AAK1785	AAK1785	AAK1785	
	Insulator assembly	AMR1434	
	Insulator assembly	AMR1435	
	Insulator assembly	...	AMR2140	AMR2140	AMR2140	
	Cord with plug	ADE-085	
	Front panel	ANB1275	ANB1375	ANB1375	ANB1376	
	Screw	ABA-274	
	Screw	BBT30P060FZK	BBT30P060FZK	BBT30P060FZK	...	
	Screw	...	ABA1009	ABA1009	ABA1009	
	Packing case	AHD1608	AHD1812	AHD1812	AHD1813	
	FM antenna assembly	ADH1007	ADH1002	ADH1002	ADH1002	
	Operating instructions (German)	...	ARC1183	...	ARC1183	
	Operating instructions (English)	ARB1168	
	Operating instructions (English/French/German/Italian/Dutch/Swedish/Spanish/Portuguese)	ARE1147	...	

TUNER Assembly (AWZ2980)

The Tuner assembly (AWZ2980) of F-656MARKII/HE is the microcomputer (IC701; PA5107) of the F-656/HE Tuner assembly (AWZ2415) which has been converted to PD5133. In regard to other electrical parts list, circuit diagram and the P.C.B. besides those of the microcomputers, please refer to the information of F-656/HE in service manual F-656/KUC (ARP1812).

TUNER Assembly (AWZ2981)

The Tuner assembly (AWZ2981) of the F-656MARKII/HEWZ, F-656MARKII-S/HEWZ are the microcomputer (IC701; PA5107) of the F-656/HEZ, F-656-S/HEZ Tuner assemblies (AWZ2414) which have been converted to PD5133. In regard to other electrical parts list, circuit diagram and the P.C.B. besides those of the microcomputer, please refer to the information of F-656/HEZ, F-656-S/HEZ in service manual F-656/KUC (ARP1812).

2. IC INFORMATION

PD5133 (TUNER CONTROL MICROCOMPUTER)

The number of station calls of the F-656 microcomputer (PD5107) has been changed from 24 to 36 for PA5133. In regard to what is written below, please refer to the information of PD5107 in service manual F-656/KUC (ARP1812).

Key input, remote control input function table.

Main unit key	Remote control key	SR code	Function
ST 1	ST 1	A4 01	When pressing once, each of ST1 – 12 (external ST) will be called, and when pressing once more within 2 seconds, each of ST13 – 24 (internal ST) will be called. Further, when pressing once more within 2 seconds, each of ST25 – 36 (rear ST) will be called. And at each time, the external ST, internal ST and the rear ST will be indicated. If the key is not pressed after this, CCTS operation will be preformed (when CCTS is ON) and the MUTE time when CCTS is OFF is approximately 1 second.
ST 2	ST 2	A4 02	
ST 3	ST 3	A4 03	
ST 4	ST 4	A4 04	
ST 5	ST 5	A4 05	
ST 6	ST 6	A4 06	
ST 7	ST 7	A4 07	
ST 8	ST 8	A4 08	
ST 9	ST 9	A4 09	
ST 10	ST 10	A4 10	
ST 11	ST 11	A4 11	
ST 12	ST 12	A4 12	
POWER	POWER	A4 1C	Power supply goes ON or OFF each time this is pressed. LED lights when power supply in ON.

Test mode

The data below is loaded when P05 = L.

ST	9 k step	10 k step	ST	9 k step	10 k step
1	FM 87.50 M	FM 87.5 M	7	FM 108.00 M	FM 108.0 M
2	FM 89.00 M	FM 89.0 M	8	AM 531 k	AM 530 k
3	FM 90.00 M	FM 90.0 M	9	AM 603 k	AM 600 k
4	FM 99.00 M	FM 99.0 M	10	AM 1008 k	AM 1000 k
5	FM 106.00 M	FM 106.0 M	11	AM 1395 k	AM 1400 k
6	FM 107.00 M	FM 107.0 M	12	AM 1602 k	AM 1700 k

ST13 – 24

: 9k step AM 1602k
 : 10k step AM 1700k

ST25 – 36

: 9k step AM1602k
 : 10k step AM1700k

IF Band is normal, MPX is Auto.

Switching

	14Pin	16Pin
Japan	H	H
Ex 9k/50k	H	L
Ex 10k/100k	L	L



Service Manual

Original



**ORDER NO.
ARP 1812**

FM/AM DIGITAL SYNTHESIZER TUNER

F-656

F-656-S

F-656 AND F-656-S HAVE FOLLOWING VERSIONS:

Type	Applicable model		Power requirement	Destination
	F-656	F-656-S		
KUC	○	—	AC120V only	U. S. A. and Canada
HE	○	—	AC220V, 240V (switchable)*	European continent
HB	○	—	AC220V, 240V (switchable)*	United Kingdom
HEZ	○	○	AC220V, 240V (switchable)*	West Germany
HIX1B	○	—	AC220V, 240V (switchable)*	Italy

*Change the connection of the TUNER ASSEMBLY primary pins.

- This manual is applicable to the KUC, HE, HB, HEZ and HIX1B types.
- For the F-656/HE, HB, HEZ, HIX1B and F-656-S/HEZ types, refer to page 25 – 27.
- The F-656-S is the same as the F-656 except for color.
- Ce manuel pour le service comprend les explications en français de réglage.
- Este manual de servicio trata del método ajuste escrito en español.

CONTENTS

1. SAFETY INFORMATION	2	6. ELECTRICAL PARTS LIST	23
2. EXPLODED VIEWS, PACKING AND PARTS LIST	3	7. FOR F-656/HE, HB, HEZ, HIX1B AND F-656-S/HEZ TYPES	25
3. SCHEMATIC DIAGRAM	7	8. IC INFORMATION	28
4. P. C. BOARDS CONNECTION DIAGRAM	11	9. PANEL FACILITIES	32
5. ADJUSTMENTS	17	10. SPECIFICATIONS	34
RÉGLAGE	19		
AJUSTE	21		

1. SAFETY INFORMATION

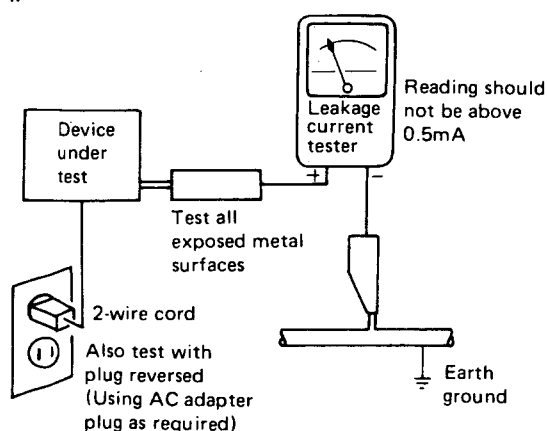
(FOR USA MODEL ONLY)

1. SAFETY PRECAUTIONS

The following check should be performed for the continued protection of the customer and service technician.

LEAKAGE CURRENT CHECK

Measure leakage current to a known earth ground (water pipe, conduit, etc.) by connecting a leakage current tester such as Simpson Model 229-2 or equivalent between the earth ground and all exposed metal parts of the appliance (input/output terminals, screwheads, metal overlays, control shaft, etc.). Plug the AC line cord of the appliance directly into a 120V AC 60Hz outlet and turn the AC power switch on. Any current measured must not exceed 0.5mA.



AC Leakage Test

ANY MEASUREMENTS NOT WITHIN THE LIMITS OUTLINED ABOVE ARE INDICATIVE OF A POTENTIAL SHOCK HAZARD AND MUST BE CORRECTED BEFORE RETURNING THE APPLIANCE TO THE CUSTOMER.

2. PRODUCT SAFETY NOTICE

Many electrical and mechanical parts in the appliance have special safety related characteristics. These are often not evident from visual inspection nor the protection afforded by them necessarily can be obtained by using replacement components rated for voltage, wattage, etc. Replacement parts which have these special safety characteristics are identified in this Service Manual.

Electrical components having such features are identified by marking with a Δ on the schematics and on the parts list in this Service Manual.

The use of a substitute replacement component which does not have the same safety characteristics as the PIONEER recommended replacement one, shown in the parts list in this Service Manual, may create shock, fire, or other hazards.

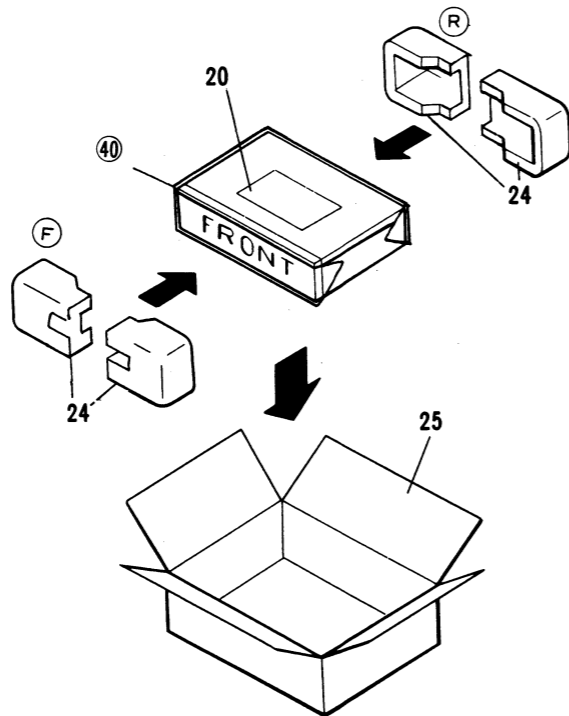
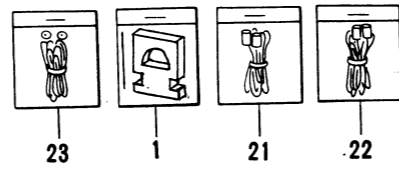
Product Safety is continuously under review and new instructions are issued from time to time. For the latest information, always consult the current PIONEER Service Manual. A subscription to, or additional copies of, PIONEER Service Manual may be obtained at a nominal charge from PIONEER.

2. EXPLODED VIEWS, PACKING AND PARTS LIST

NOTES:

- Parts without part number cannot be supplied.
- The Δ mark found on some component parts indicates the importance of the safety factor of the part. Therefore, when replacing, be sure to use parts of identical designation.
- Parts marked by "⊙" are not always kept in stock. Their delivery time may be longer than usual or they may be unavailable.

Mark	No.	Part No.	Description
	1	ATB-086	BAR ANTENNA
	2	AEK-136	FUSE (500mA), FU101
	3	ADG-088	AC POWER CORD
	4	AMR1434	INSULATOR ASSEMBLY
	5	AMR1435	INSULATOR ASSEMBLY
	6	ABA-298	SCREW
	7	ABA1011	SCREW (STEEL)
	8	ABA1047	SCREW (STEEL)
	9	ABA1048	SCREW (STEEL)
	10	BBT30P060FZK	SCREW
	11	BPZ26P080FMC	SCREW
	12	ANB1275	FRONT PANEL
	13	AMB1464	PANEL BASE
	14	AAK1687	FL FILTER
	15	AAK1717	ACRYL PANEL
	16	AAM1029	NAME PLATE (METAL)
	17	AMR1160	INDICATING LENS
	18	AAD1549	STATION CALL KNOB
	19	AAD1550	STATION CALL KNOB
	20	ARB1168	OPERATING INSTRUCTIONS
	21	ADE-081	PULG CORD
	22	ADE-085	CORD WITH PLUG
	23	ADH1007	FM ANTENNA
	24	AHA1095	FRONT REAR PAD
	25	AHD1608	PACKING CASE
	26	AZN1745	BONNET
	27
	28	DISPLAY ASSEMBLY
	29	TUNER ASSEMBLY
	30	AWZ2416	CHASSIS ASSEMBLY
	31	REAR PANEL
	32	CU PLATE
	33	NYLON BINDER
	34
	35
	36
	37
	38
	39
	40	SHEET

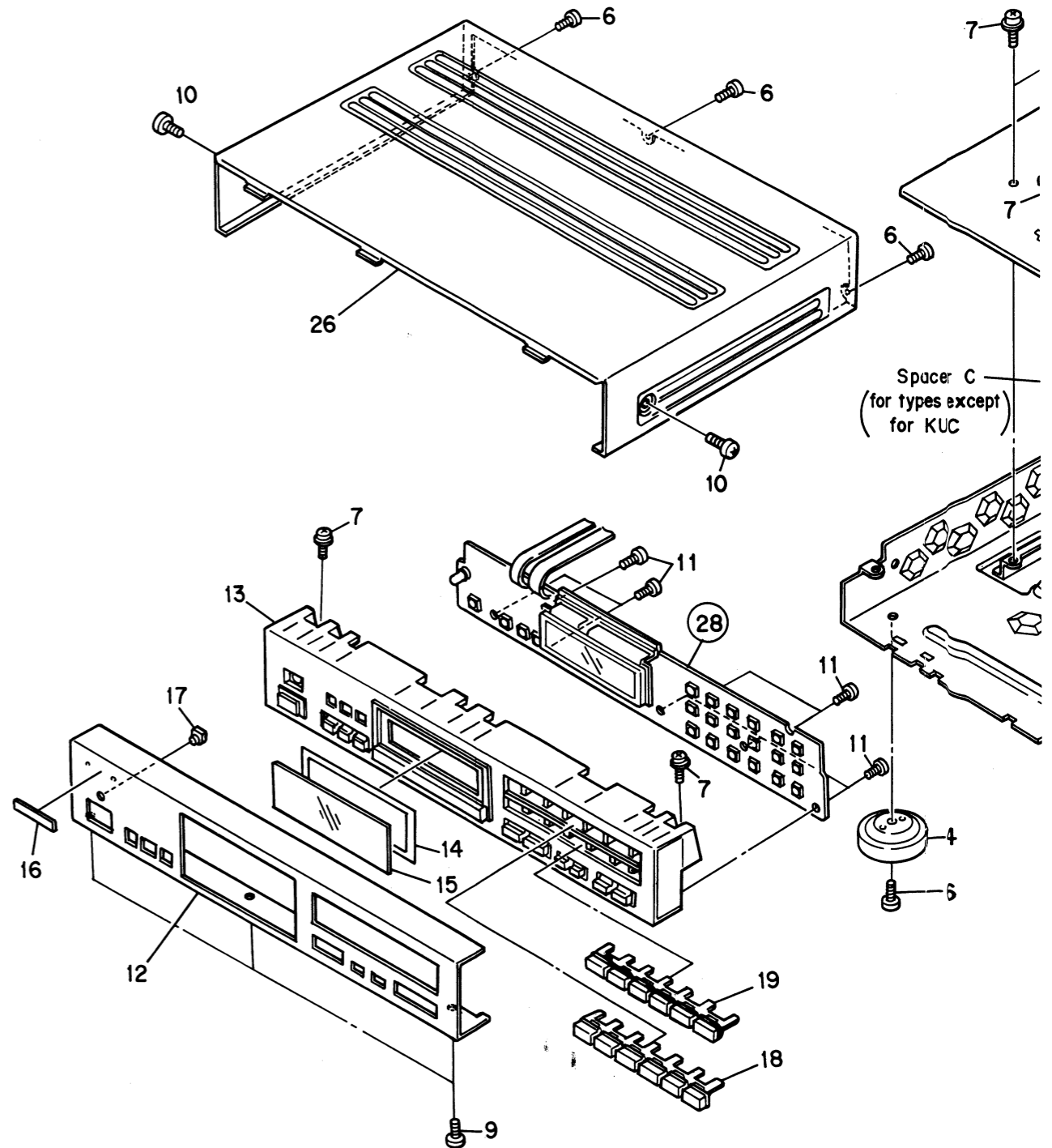


A

B

C

D



3

1

2

3

4

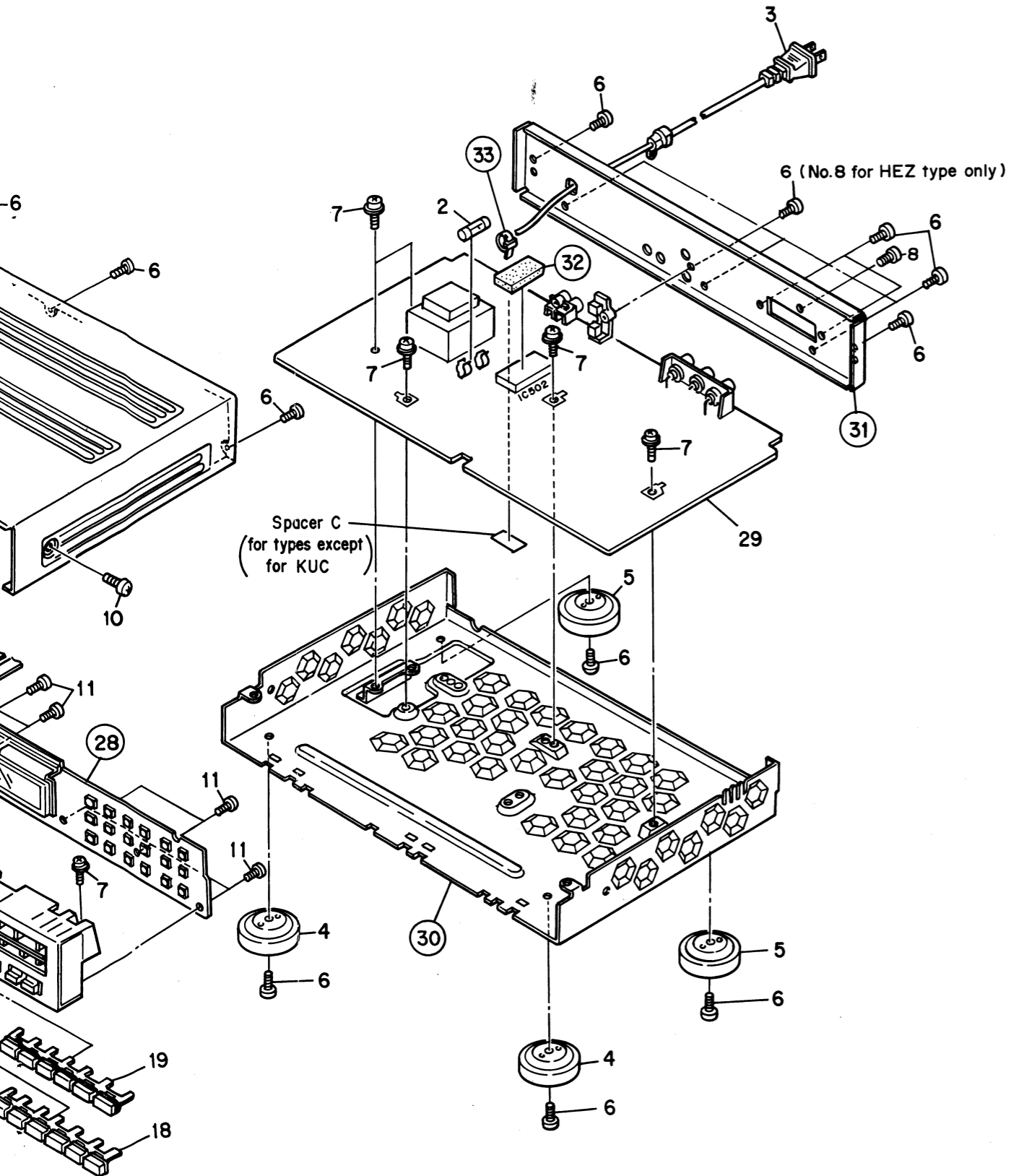
5

3

4

5

6



A

B

C

D

3

4

5

4

5

6

6



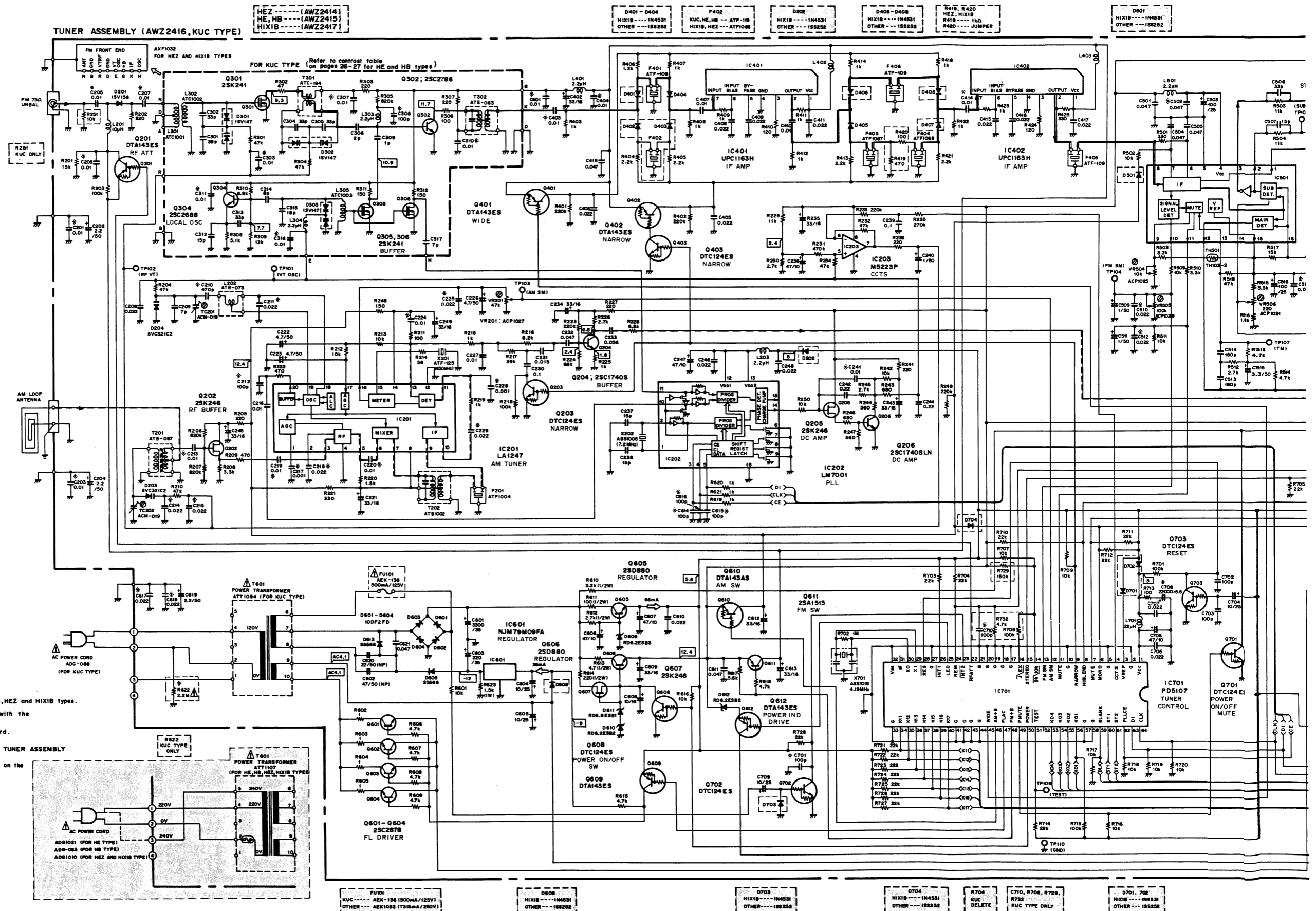
3. SCHEMATIC DIAGRAM

A

B

C

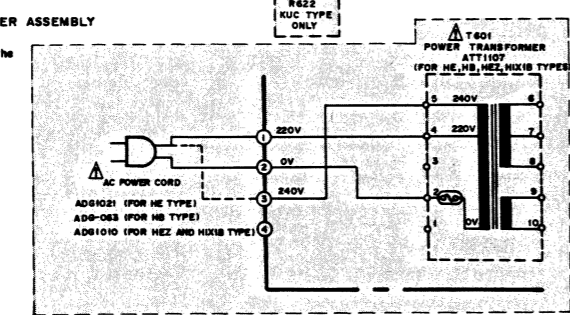
D



Line Voltage Selection for HE, HB, HEZ and HIX1B types.

- Line voltage can be changed with the following steps.
1. Disconnect the AC power cord.
2. Remove the bonnet.
3. Change the connection of the TUNER ASSEMBLY primary pins.
4. Stick the line voltage label on the rear panel.

Part NO.	Description
AAX-193	220V label
AAX-192	240V label



FU101
 KUC --- AEK-136 (500mA/125V)
 OTHER --- AEK1033 (75mA/250V)

D608
 HIX1B --- 1N4531
 OTHER --- 18B252

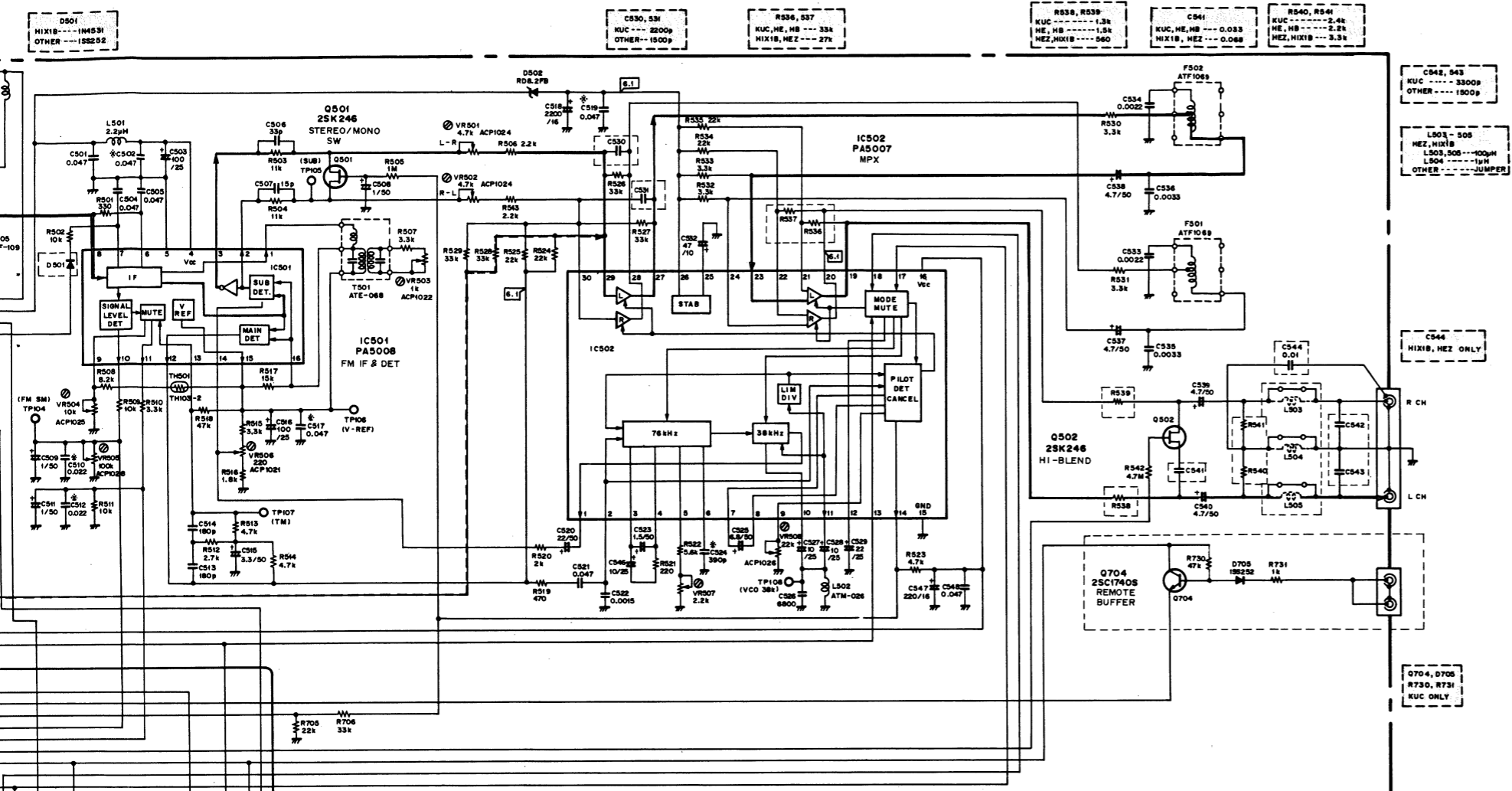
D703
 HIX1B --- 1N4531
 OTHER --- 18B252

D704
 HIX1B --- 1N4531
 OTHER --- 18B252

R704
 KUC
 DELETE

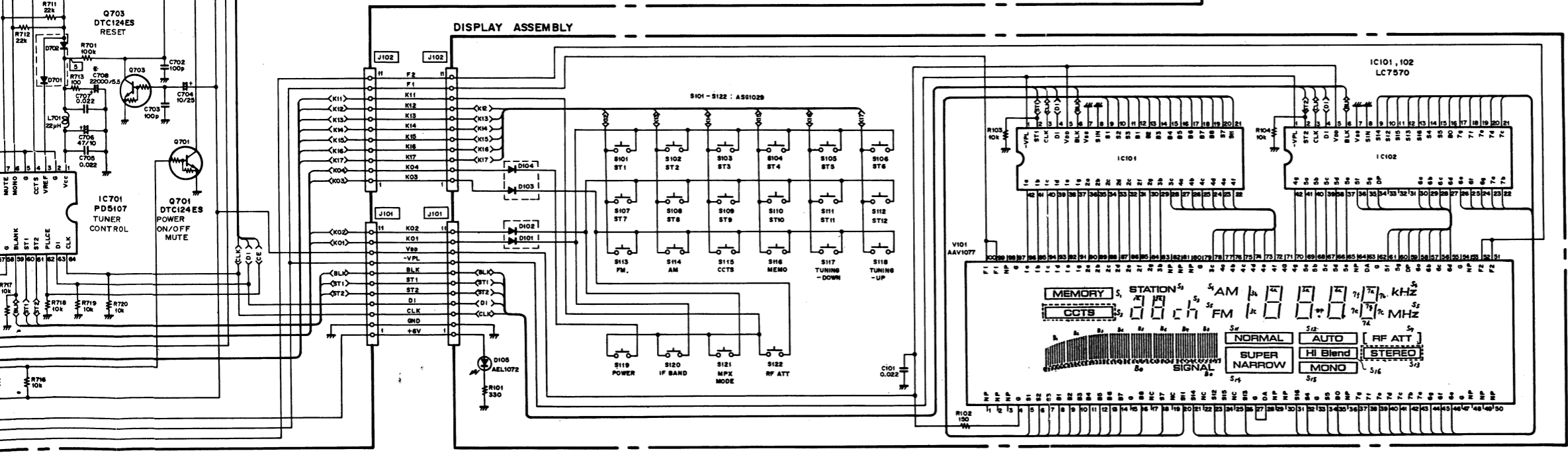
C710, R708, R729,
 R732
 KUC TYPE ONLY

D701, R78
 HIX1B --- 1N4531
 OTHER --- 18B252



- RESISTORS:**
Indicated in Ω, 1/4W, and 1/8W, ±5% tolerance unless otherwise noted k:k.O, M:M.O, (F): ±1%, (G): ±2%, (K): ±10%, (M): ±20% tolerance.
- CAPACITORS:**
Indicated in capacity (μF) / voltage (V) unless otherwise noted p: pF. Indication without voltage is 50V except electrolytic capacitor.
- VOLTAGE, CURRENT:**
 - V: Signal voltage
 - V: DC voltage (V) at FM position, no input signal. Value in () is DC voltage at AM position.
 - mA: DC current at no input signal.
 - mV: Signal voltage at FM 400Hz ± 75Hz DEV.
- OTHERS:**
 - : Signal route.
 - ⊙: Adjusting point.
 - ⚠: The Δ mark found on some component parts indicates the importance of the safety factor of the part. Therefore, when replacing, be sure to use parts of identical designation.
 - *: marked capacitors and resistors have parts numbers.

- This is the basic schematic diagram, but the actual circuit may vary due to improvements in design.
- 5. SWITCHES (The underline indicates the switch position.)**
- | | | | |
|------|------|------|-------------|
| S101 | ST1 | S112 | ST12 |
| S102 | ST2 | S113 | FM |
| S103 | ST3 | S114 | AM |
| S104 | ST4 | S115 | CCTS |
| S105 | ST5 | S116 | MEMO |
| S106 | ST6 | S117 | TUNING-DOWN |
| S107 | ST7 | S118 | TUNING-UP |
| S108 | ST8 | S119 | POWER |
| S109 | ST9 | S120 | IF BAND |
| S110 | ST10 | S121 | MPX MODE |
| S111 | ST11 | S122 | RF ATT. |



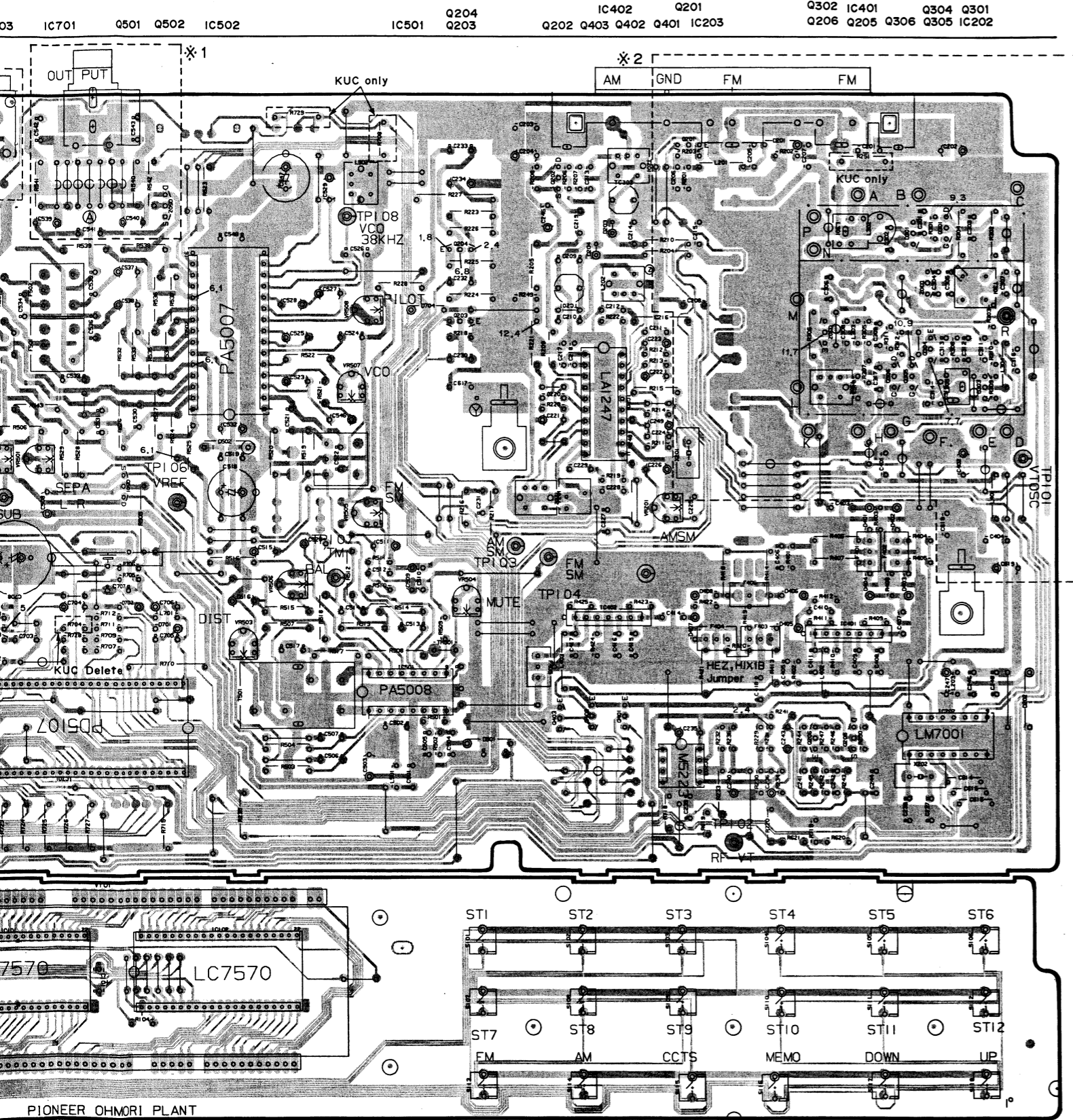
A

B

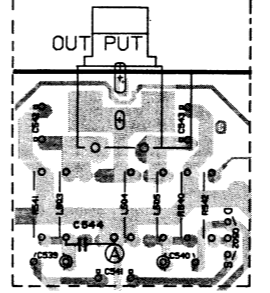
C

D

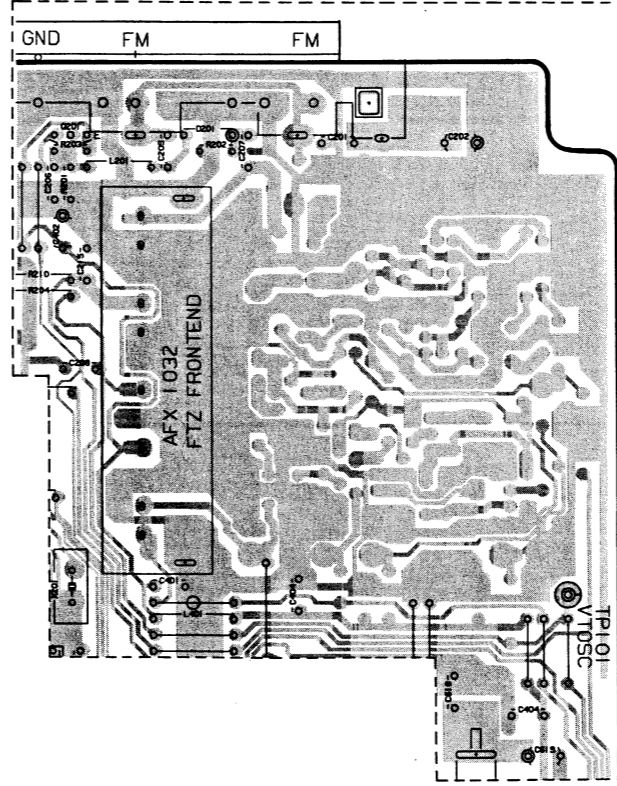
pe)
3 types)
type)



※1 HEZ, HIX1B Types



※2 HEZ, HIX1B Types



NOTE

1. This P.C.B connection diagram is viewed from the parts mounted side.
2. The parts which have been mounted on the board can be replaced with those shown with the corresponding wiring symbols listed in the following Table.

P.C.B. pattern diagram indication	Corresponding part symbol	Part Name
		Transistor
		Radiator type transistor
		Diode
		Resistor
		Capacitor (Polarity)
		Capacitor (Non-polarity)

3. The capacitor terminal marked with ⊙ (double circles) shows negative terminal.
4. The diode terminal marked with ⊙ (double circles) shows cathode side.
5. The transistor terminal to which E is affixed shows the emitter.

Others

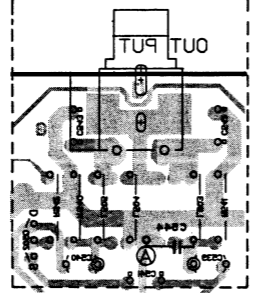
P.C.B. pattern diagram indication	Part Name
IC	IC
S	Switch
RY	Relay
L	Coil
F	Filter
VR	Variable resistor or Semi-fixed resistor

This P.C.B. connection diagram is viewed from the foil side.

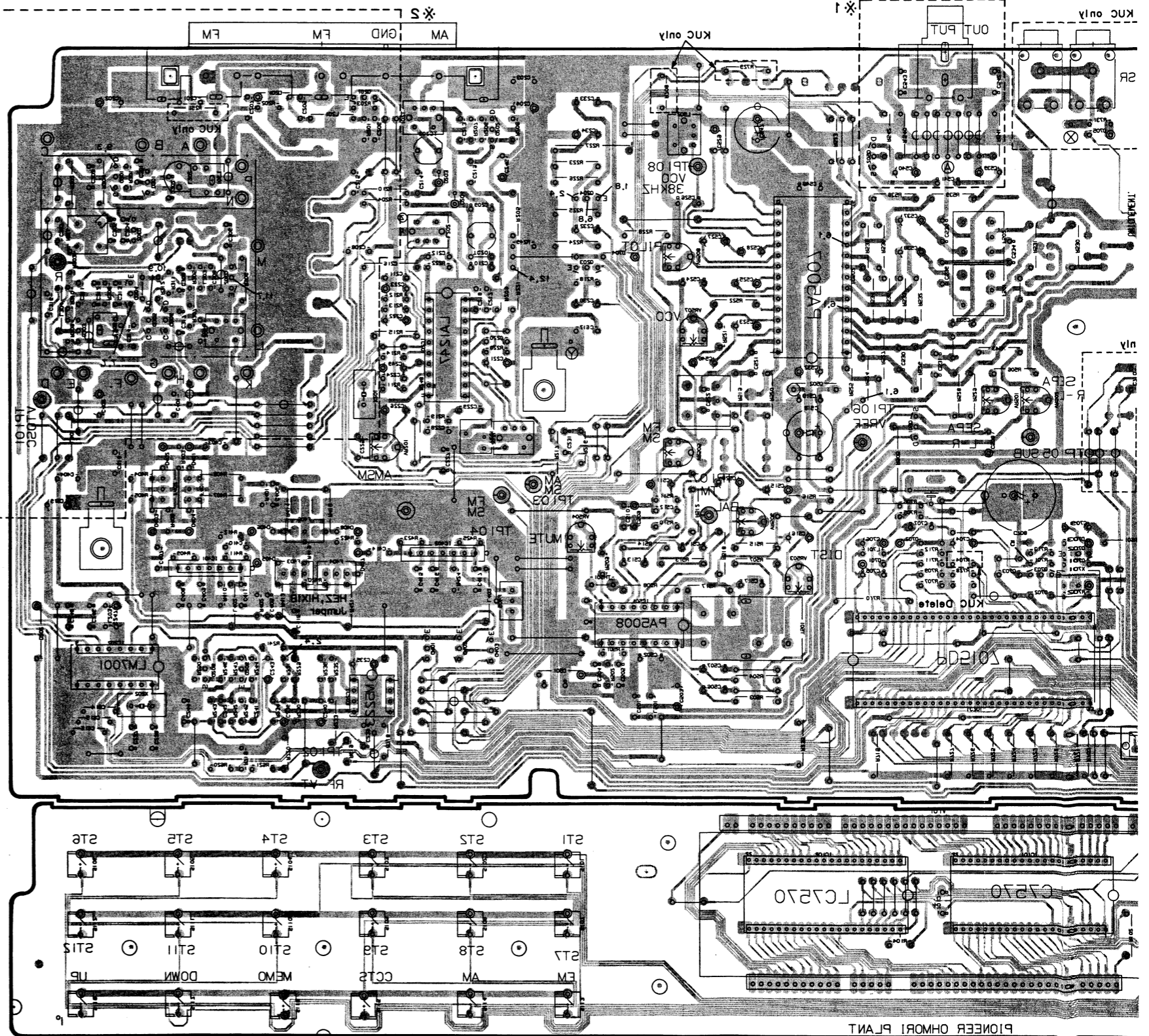
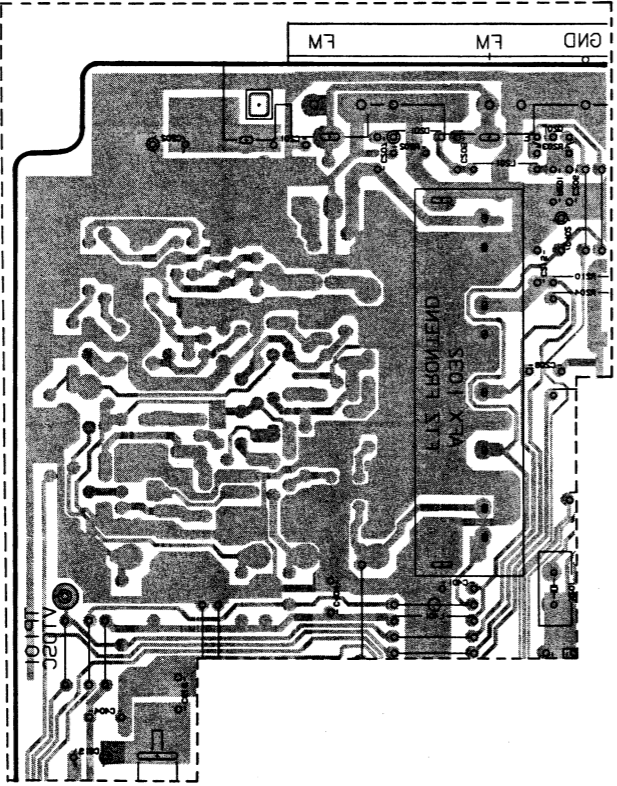
For HIX1B type)
For HE, HB type)
For HEZ type)

IC205 02A03 IC201 02A01 IC202 02A02 IC203 02A03
IC201 02S03 02S04 02S05 04A01 IC203 02S01 02S02 02S03 02S04 02S05
IC201 IC205 IC204

*1 HEZ, HIX1B Types



*2 HEZ, HIX1B Types



PIONEER OHMORI PLANT

5. ADJUSTMENTS

FM SECTION

- For connections and points to be adjusted, refer to Fig. 5-1 and Fig. 5-2.
- Set the function selector to "FM".
- Set the "IF BAND" and "CCTS" switches on the front panel to "OFF".

Step No.	FM SG (1 kHz \pm 75 kHz dev.)		F-656 type (F-656-S) Reception frequency display	Adjustment	
	Frequency (MHz)	Level (dB μ)		Adjustment location	Specifications
1	—	—	87.5 MHz	—	Confirm that the DC voltage between TP101 (VT OSC) and TP110 (GND) is 3.4 V \pm 2.0 V.
2	—	—	108.0 MHz	—	Confirm that the DC voltage between TP101 (VT OSC) and TP110 (GND) is 8.7 V \pm 2.0 V.
3 (*1)	IF BAND SW = NORMAL, CCTS SW = OFF				
	98.0	20 - 30	98.0 MHz	L302, T301, T302	Adjust that the DC voltage between TP104 (FM SM) and TP110 (GND) is maximum.
4	IF BAND SW = NORMAL, CCTS SW = OFF				
	98.0	80	98.0 MHz	T501-(A)	Adjust that the DC voltage between TP106 (VREF) and TP107 (TM) is 0 V \pm 100 mV.
				T501-(B) VR503	Adjust so that the mono distortion of the output is at minimum.
Repeat steps 4-① and 4-② until both specification ratings are satisfied.					
5	98.0	60	98.0 MHz	VR506	Adjust so that the waveform of TP105 (SUB) is at minimum.
6	98.0	60	98.0 MHz	VR508	Adjust so that the pilot cancel volume of the output is maximum.
7	98.0	60 (No modulation)	98.0 MHz	VR507	Adjust that the frequency between TP108 (VCO 38 kHz) and TP110 (GND) is 38 kHz \pm 100 Hz. (*2)
8	Adjust so that IF BAND SW = NORMAL, CCTS SW = OFF, T302 is within \pm 90°.				
	98.0	80 (*3)	98.0 MHz	VR503, T302 (*4)	Adjust so that the stereo distortion of the output is at minimum.
9	98.0	60	98.0 MHz	VR501, VR502	Adjust so that the separation of the output is at minimum.
10	IF BAND SW = NORMAL, CCTS SW = OFF				
	98.0	90	98.0 MHz	VR505	Adjust that the DC voltage between TP104 (FM SM) and TP110 (GND) is 4.9 V \pm 0.2 V.
11	IF BAND SW = NORMAL, CCTS SW = OFF				
	98.0	—	98.0 MHz	VR504	Adjust so that there is muting when the output is 15 dB \pm 4dB.

(*1) This adjustment is only with types HE, HB, KUC.

(*2) Wait at least one minute after turning the Power SW on before carrying out adjustments.

(*3) Stereo modulation: Main 1 kHz, L+R \pm 68.25 kHz, Pilot 19 kHz \pm 6.75 kHz.

(*4) T302 is only on types HE, HB and KUC. If stereo distortion does not improve on HEZ and HIX1B, adjust the IFT coil (Fig. 5-2) in the front end to within \pm 90°.

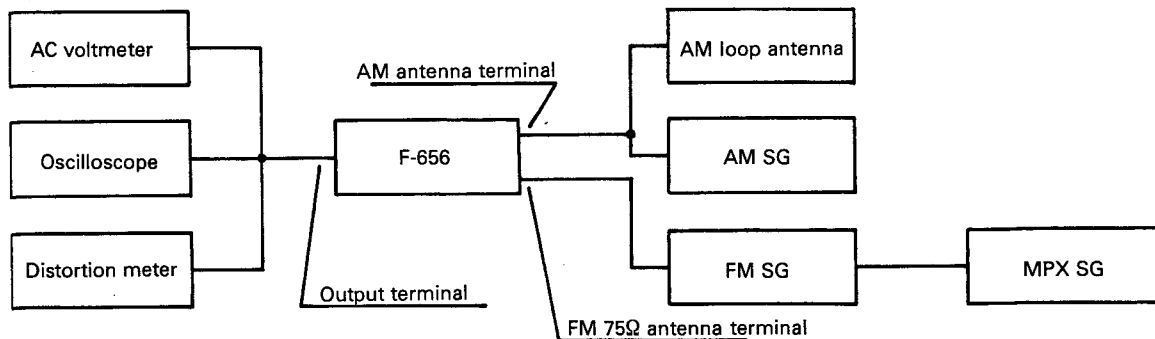


Fig. 5-1

AM SECTION

- For connections and points to be adjusted, refer to Fig. 5-1 and Fig. 5-2.
- Set the function selector to "AM".

Step No.	AM SG (400 Hz, 30% modulation)		F-656 type (F-656-S) Reception frequency display	Adjustment	
	Frequency (kHz)	Level (dB μ)		Adjustment location	Specifications
1	—	—	522 kHz (530 kHz)	TC201	Adjust that the DC voltage between TP101 (VTOSC) and TP110 (GND) is 1.25 V \pm 0.2 V.
2	—	—	1629 kHz (1700 kHz)	L202	Adjust that the DC voltage between TP101 (VTOSC) and TP110 (GND) is 10.0 V \pm 0.3 V.
3	Repeat steps 1 and 2 until both specification ratings are satisfied.				
4	603 (600)	20 – 30	603 kHz (600 kHz)	T201	Adjust that the DC voltage between TP103 (AM SM) and TP110 (GND) is maximum.
5	1395 (1400)	20 – 30	1395 kHz (1400 kHz)	TC202	Adjust that the DC voltage between TP103 (AM SM) and TP110 (GND) is maximum.
6	Repeat steps 4 and 5 until both specification ratings are satisfied.				
7	999 (1000)	20 – 30	999 kHz (1000 kHz)	T202	Adjust that the DC voltage between TP103 (AM SM) and TP110 (GND) is maximum.
8	CCTS SW – OFF				
	999 (1000)	100	999 kHz (1000 kHz)	VR201	Adjust that the DC voltage between TP103 (AM SM) and TP110 (GND) is 4.9 V \pm 0.2 V.

NOTE: Those sections in parentheses show the frequency with KUC type (10 kHz Step).

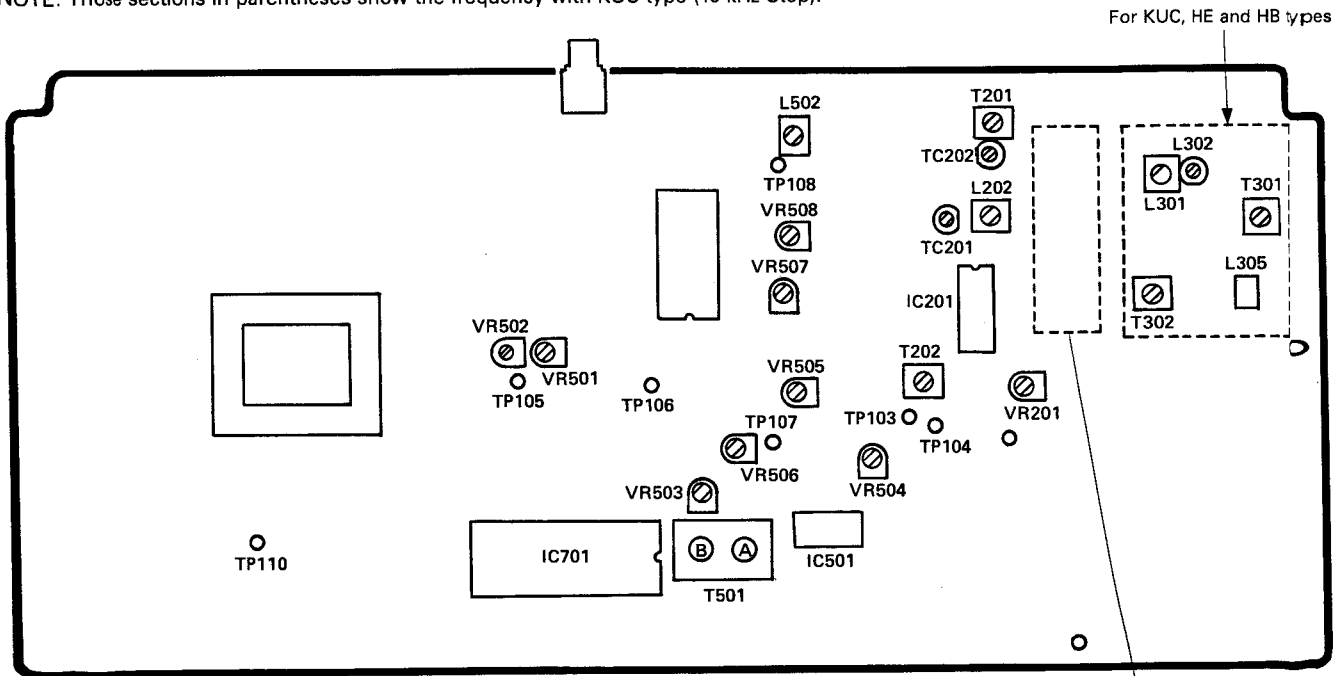
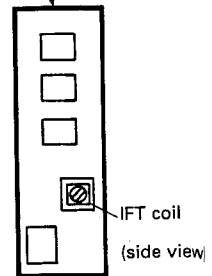


Fig. 5-2

FM Front End
For HEZ and HIX1B types



5. RÉGLAGE

SECTION FM

- Pour les connexions et les points à régler, se reporter à la Fig. 5-1 et Fig. 5-2.
- Mettre le sélecteur fonction sur "FM".
- Mettre les sélecteurs "IF BAND" et "CCTS" du panneau frontal sur "OFF".

N° d'étape	Signal FM (1 kHz ±75 kHz dév.)		Type (F-656-S) Affichage de réception de la fréquence	Réglage	
	Fréquence (MHz)	Niveau (dB μ)		Emplacement de l'ajustement	Spécifications
1	—	—	87,5 MHz	—	Confirmer que la tension CC entre TP101 (VT OSC) et TP110 (GND) est de 3,4 V ±2,0 V.
2	—	—	108,0 MHz	—	Confirmer que la tension CC entre TP101 (VT OSC) et TP110 (GND) est de 8,7 V ±2,0 V.
3 (*1)	Sélecteur IF BAND = NORMAL, sélecteur CCTS = OFF				
	98,0	20 - 30	98,0 MHz	L302, T301, T302	Régler la tension CC entre TP104 (FM SM) et TP110 (GND) pour qu'elle soit maximum.
4	Sélecteur IF BAND = NOMAL, sélecteur CCTS = OFF				
	98,0	80	98,0 MHz	T501-(A)	Régler la tension CC entre TP106 (VREF) et TP107 (TM) pour qu'elle soit de 0 V ±100 mV.
T501-(B) VR503				Régler pour que la distorsion mono de la sortie soit au minimum.	
Répéter les étapes 4- ① et 4- ② jusqu'à ce que les deux rapports de spécification soient satisfaits.					
5	98,0	60	98,0 MHz	VR506	Régler de façon à ce que la forme d'onde de TP105 (SUB) soit au minimum.
6	98,0	60	98,0 MHz	VR508	Régler de façon à ce que le volume d'annulation pilote soit au maximum.
7	98,0	60 (pas de modulation)	98,0 MHz	VR507	Régler de façon à ce que la fréquence entre TP108 (VCO 38 kHz) et TP110 (GND) soit de 38 kHz ±100 Hz. (*2).
8	Régler pour que le sélecteur IF BAND = NORMAL, le sélecteur CCTS = OFF, T302 soit ±90°.				
	98,0	80 (*3)	98,0 MHz	VR503, T302 (*4)	Régler de façon à ce que la distorsion stéréo de la sortie soit minimum.
9	98,0	60	98,0 MHz	VR501, VR502	Régler de façon à ce que la séparation de la sortie soit minimum.
10	Sélecteur IF BAND = NORMAL, sélecteur CCTS = OFF				
	98,0	90	98,0 MHz	VR505	Régler de façon à ce que la tension CC entre TP104 (FM SM) et TP (110) soit 4,9 V ±0,2 V.
11	Sélecteur IF BAND = NORMAL, sélecteur CCTS = OFF				
	98,0	—	98,0 MHz	VR504	Régler de façon à ce qu'il y ait un assourdissement lorsque la sortie est de 15 dB ±4 dB.

(*1) Cet ajustement n'est valable que pour les types HE, HB, KUC.

(*2) Attendre au moins une minute après avoir mis le sélecteur d'alimentation en action avant d'effectuer ces ajustements.

(*3) Modulation stéréo: Principal 1 kHz, L + R ±68,25 kHz, Pilote 19 kHz ±6,75 kHz.

(*4) T302 n'est valable que pour les types HE, HB et KUC. Si la distorsion stéréo ne s'améliore pas sur HEZ et HIX1B, ajuster la bobine IFT (Fig. 5-2) sur l'extrémité avant entre ±90°.

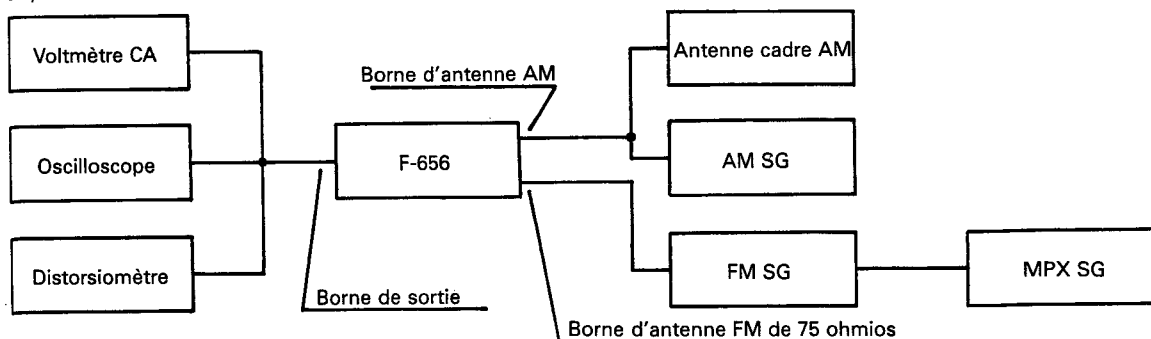


Fig. 5-1

SECTION AM

- Pour les connexions et les points à régler, se reporter à la Fig. 5-1 et Fig. 5-2.
- Mettre le sélecteur fonction sur "AM".

N° d'étape	Signal AM (400 Hz, 30% modulation)		Type (F-656-S) Affichage de réception de la fréquence	Emplacement de l'ajustement	Réglage
	Fréquence (kHz)	Niveau (dB μ)			Spécifications
1	—	—	522 kHz (530 kHz)	TC201	Régler de façon à ce que la tension CC entre TP101 (VTOSC) et TP110 (GND) soit de 1,25 V ±0,2 V.
2	—	—	1629 kHz (1700 kHz)	L202	Régler de façon à ce que la tension CC entre TP101 (VTOSC) et TP110 (GND) soit de 10,0 V ±0,3 V.
3	Répéter les étapes 1 et 2 jusqu'à ce que les deux rapports de spécification soient satisfaits.				
4	603 (600)	20 - 30	603 kHz (600 kHz)	T201	Régler de façon à ce que la tension CC entre TP103 (AM SM) et TP110 (GND) soit maximum.
5	1395 (1400)	20 - 30	1395 kHz (1400 kHz)	TC202	Régler de façon à ce que la tension CC entre TP103 (AM SM) et TP110 (GND) soit maximum.
6	Répéter les étapes 4 et 5 jusqu'à ce que les deux rapports de spécification soient satisfaits.				
7	999 (1000)	20 - 30	999 kHz (1000 kHz)	T202	Régler de façon à ce que la tension CC entre TP103 (AM SM) et TP110 (GND) soit maximum.
8	Sélecteur CCTS = OFF				Régler de façon à ce que la tension CC entre TP103 (AM SM) et TP110 (GND) soit de 4,9 V ±0,2 V.
	999 (1000)	100	999 kHz (1000 kHz)	VR201	

REMARQUE: Les sections entre parenthèses montrent la fréquence avec le type KUC (pas de 10 kHz).

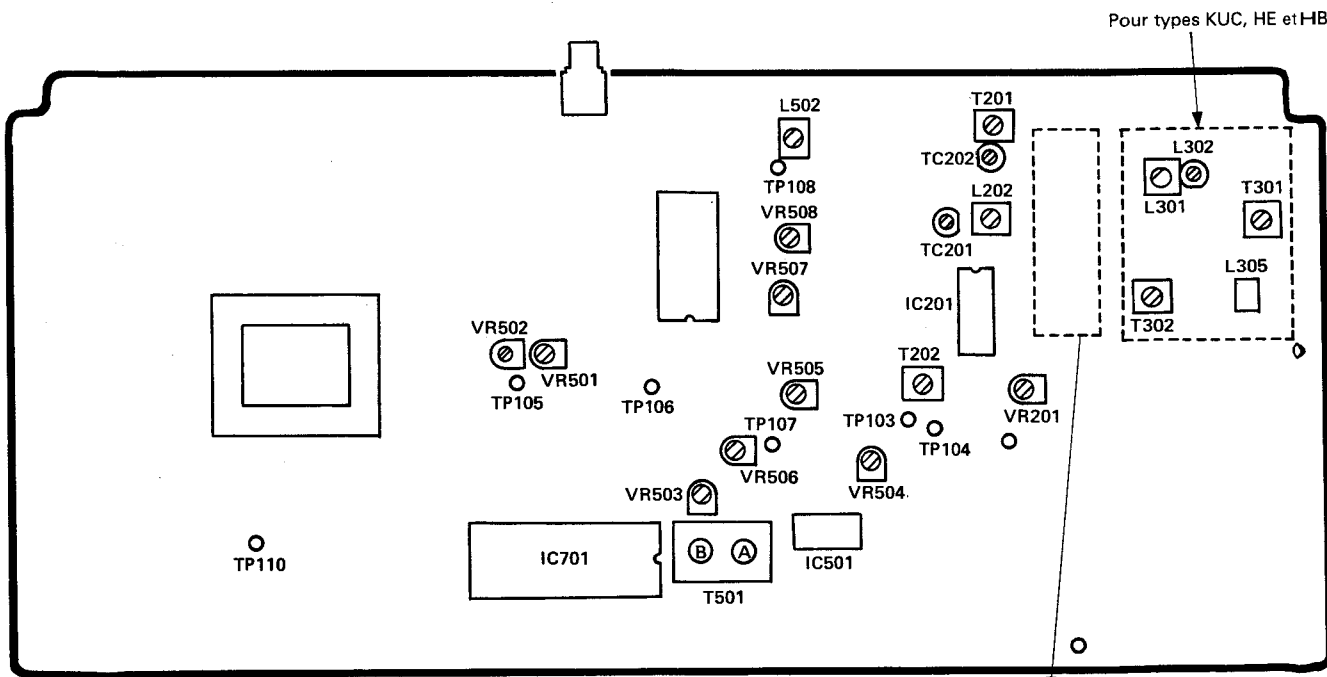


Fig. 5-2

5. AJUSTE

SECCIÓN DE FM

- Con respecto a las conexiones y puntos de ajuste, consulte la Fig. 5-1 y Fig. 5-2.
- Ponga el selector función en "FM".
- Ponga los interruptores "IF BAND" y "CCTS" del panel frontal en "OFF".

No. de paso	FM SG (1 kHz \pm 75 kHz dev.)		Tipo F-656 (F-656-S) Visualización de la frecuencia de recepción	Ajuste	
	Frecuencia (MHz)	Nivel (dB μ)		Lugar de ajuste	Especificaciones
1	—	—	87,5 MHz	—	Confirme que la tensión de CC entre TP101 (VT OSC) y TP110 (GND) sea de 3,4 V \pm 2,0 V.
2	—	—	108,0 MHz	—	Confirme que la tensión de CC entre TP101 (VT OSC) y TP110 (GND) sea de 8,7 V \pm 2,0 V.
3 (*1)	IF BAND SW = NORMAL, CCTS SW = OFF				
	98,0	20 - 30	98,0 MHz	L302, T301, T302	Ajuste de forma que la tensión de CC entre TP104 (FM SM) y TP110 (GND) sea máxima.
4	IF BAND SW = NORMAL, CCTS SW = OFF				
	98,0	80	98,0 MHz	T501-(A)	Ajuste hasta que la tensión de CC entre TP106 (VREF) y TP107 (TM) sea de 0 V \pm 100 mV.
T501-(B) VR503				Ajuste hasta que la distorsión monoaural de salida sea mínima.	
Repita los pasos 4-① y 4-② hasta que se cumplan ambos valores especificados.					
5	98,0	60	98,0 MHz	VR506	Ajuste hasta que la forma de onda de TP105 (SUB) esté al mínimo.
6	98,0	60	98,0 MHz	VR508	Ajuste hasta que el volumen de cancelación de la señal piloto de la salida sea máximo.
7	98,0	60 (Sin modulación)	98,0 MHz	VR507	Ajuste hasta que la frecuencia entre TP108 (VCO 38 kHz) y TP110 (GND) sea de 38 kHz \pm 100 Hz. (*2)
8	Ajuste hasta que IF BAND SW = NORMAL, CCTS SW = OFF, T302 sea \pm 90°.				
	98,0	80 (*3)	98,0 MHz	VR503, T302 (*4)	Ajuste hasta que la distorsión estéreo de la salida sea mínima.
9	98,0	60	98,0 MHz	VR501, VR502	Ajuste hasta que la separación de la salida esté al mínimo.
10	IF BAND SW = NORMAL, CCTS SW = OFF				
	98,0	90	98,0 MHz	VR505	Ajuste hasta que la tensión de CC entre TP104 (FM SM) y TP110 (GND) sea de 4,9 V \pm 0,2 V.
11	IF BAND SW = NORMAL, CCTS SW = OFF				
	98,0	—	98,0 MHz	VR504	Ajuste hasta que haya silenciamiento cuando la salida sea de 15 dB \pm 4 dB.

(*1) Este ajuste es solamente para los tipos HE, HB, y KUC.

(*2) Antes de realizar los ajustes, espere por lo menos un minuto después de poner en ON el interruptor POWER.

(*3) Modulación estéreo: Principal 1 kHz, canales izquierdo + derecho \pm 68,25 kHz, y piloto 19 \pm 6,75 kHz.

(*4) T302 es solamente para los tipos HE, HB, y KUC. Si la distorsión estéreo no mejora en HEZ y HIX1B, ajuste la bobina IFT (Fig. 5-2) de la etapa de entrada a \pm 90°.

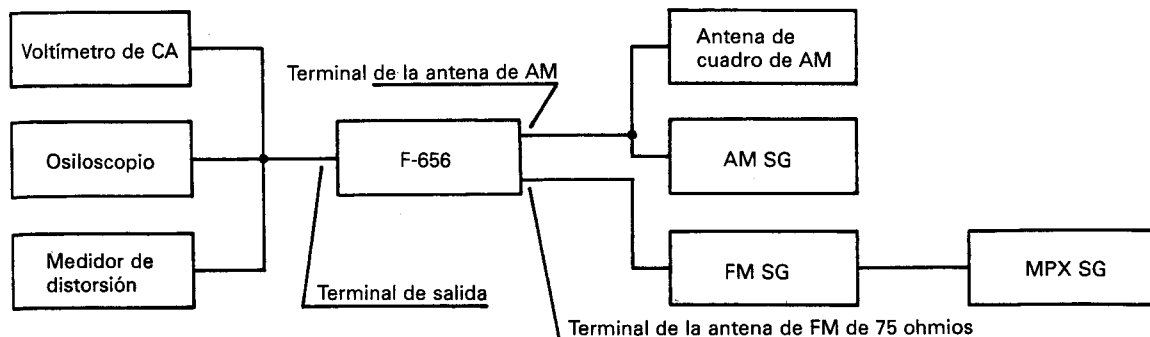


Fig. 5-1

SECCIÓN DE AM

- Con respecto a las conexiones y puntos de ajuste, consulte la Fig. 5-1 y Fig. 5-2.
- Ponga el selector función en "AM".

No. de paso	AM SG (400 Hz, modulación al 30%)		Tipo F-656 (F-656-S) Visualización de la frecuencia de recepción	Ajuste	
	Frecuencia (kHz)	Nivel (dB μ)		Lugar de ajuste	Especificaciones
1	—	—	522 kHz (530 kHz)	TC201	Ajuste hasta que la tensión de CC entre TP101 (VTOSC) y TP110 (GND) sea de 1,25 V \pm 0,2 V.
2	—	—	1629 kHz (1700 kHz)	L202	Ajuste hasta que la tensión de CC entre TP101 (VTOSC) y TP110 (GND) sea de 10,0 V \pm 0,3 V.
3	Repita los pasos 1 y 2 hasta que cumplan ambos valores especificados.				
4	603 (600)	20 - 30	603 kHz (600 kHz)	T201	Ajuste hasta que la tensión de CC entre TP103 (AM SM) y TP110 (GND) sea máxima.
5	1395 (1400)	20 - 30	1395 kHz (1400 kHz)	TC202	Ajuste hasta que la tensión de CC entre TP103 (AM SM) y TP110 (GND) sea máxima.
6	Repita los pasos 4 y 5 hasta que se cumplan ambos valores especificados.				
7	999 (1000)	20 - 30	999 kHz (1000 kHz)	T202	Ajuste hasta que la tensión de CC entre TP103 (AM SM) y TP110 (GND) sea máxima.
8	CCTS SW = OFF				
	999 (1000)	100	999 kHz (1000 kHz)	VR201	Ajuste hasta que la tensión de CC entre TP103 (AM SM) y TP110 (GND) sea de 4,9 V \pm 0,2 V.

NOTA: Las secciones entre paréntesis indican la frecuencia con el tipo KUC (paso de 10 kHz).

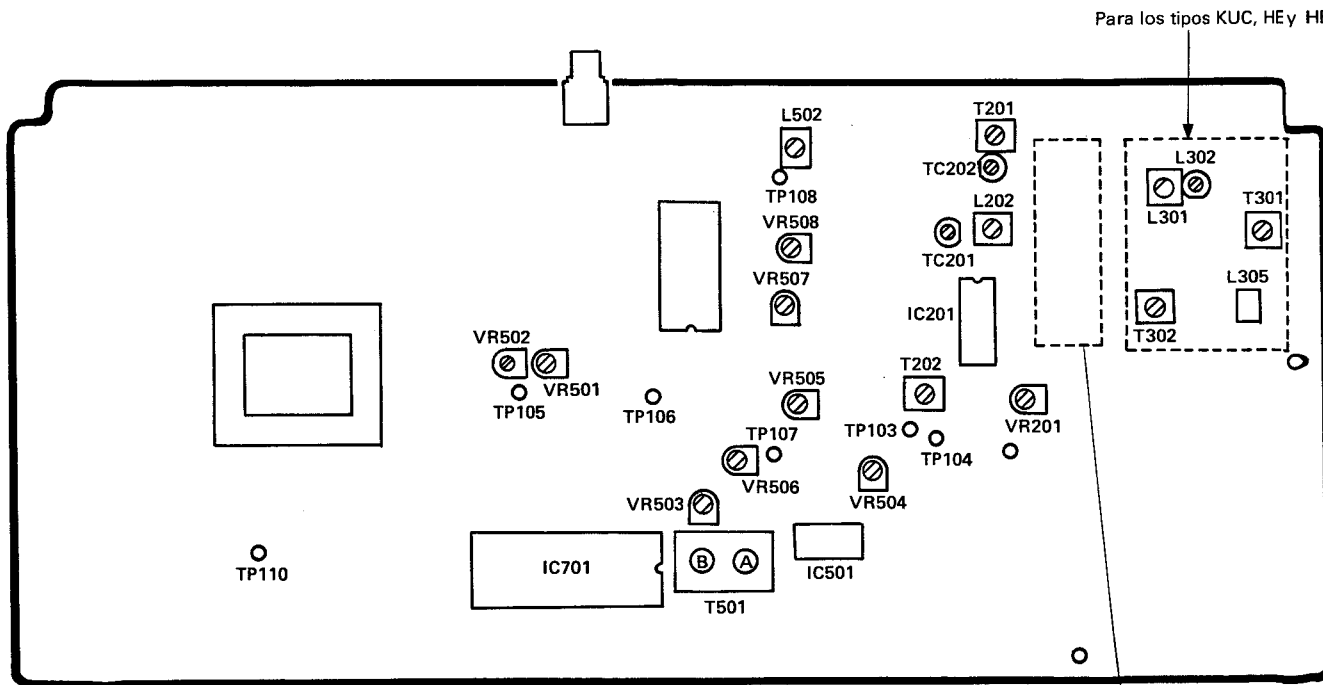
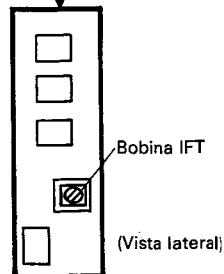


Fig. 5-2

Para los tipos HEZ y HIX1B



Bobina IFT

(Vista lateral)

6. ELECTRICAL PARTS LIST

NOTES:

- Parts without part number cannot be supplied.
- Parts marked by "●" are not always kept in stock. Their delivery time may be longer than usual or they may be unavailable.
- The Δ mark found on some component parts indicates the importance of the safety factor of the part. Therefore, when replacing, be sure to use parts of identical designation.
- When ordering resistors, first convert resistance values into code form as shown in the following examples.

Ex. 1 When there are 2 effective digits (any digit apart from 0), such as 560 ohm and 47k ohm (tolerance is shown by J = 5%, and K = 10%).

560 Ω	56 $\times 10^1$	561.....	RD1/4PS	\square \square \square J
47k Ω	47 $\times 10^3$	473.....	RD1/4PS	\square \square \square J
0.5 Ω	0R5.....		RN2H	\square \square K
1 Ω	010.....		RS1P	\square \square K

Ex. 2 When there are 3 effective digits (such as in high precision metal film resistors).

5.62k Ω	562 $\times 10^1$	5621.....	RN1/4SR	\square \square \square F
----------------	-------------------	-----------	---------	---------------------------------

Miscellaneous

Mark	Symbol & Description	Part No.	Mark	Symbol & Description	Part No.
	Tuner assembly	AWZ2416		D605, D613	S5566
	Display assembly			D202, D401 – D408, D501, D608,	1SS252
Δ	Fuse (FU101) (500mA/125V)	AEK-136		D701 – D705	
Δ	AC power cord	ADG-088		D201	1SV156
				D601 – D604	10DF2FD
				D301 – D303	1SV147
				TH501 Thermister	TH103-2
				(8.5k – 11.5k)	

Tuner Assembly (AWZ2416)

SEMICONDUCTORS

Mark	Symbol & Description	Part No.
	IC201	LA1247
	IC202	LM7001
	IC203	M5223P
	IC601	NJM79M09FA
	IC502	PA5007
	IC501	PA5008
	IC701	PD5107
	IC401, IC402	UPC1163H
	Q201, Q401, Q402, Q609, Q610, Q612	DTA143ES
	Q203, Q403, Q608, Q701 – Q703	DTC124ES
	Q611	2SA1515
	Q204, Q704	2SC1740S
	Q206	2SC1740SLN
	Q601 – Q604	2SC2878
	Q605, Q606	2SD880
	Q607, Q202 Q205, Q501, Q502	2SK246
	Q304	2SC2668
	Q302	2SC2786
	Q301, Q305, Q306	2SK241
	D610, D612	RD6.2ESB2
	D609	RD6.2ESB3
	D611	RD6.8ESB1
	D502	RD8.2FB
	D203, D204	SVC321C2

COILS, TRANSFORMERS AND FILTERS

Mark	Symbol & Description	Part No.
	L202 AM osc coil	ATB-073
	L502 38kHz coil	ATM-026
	L201 Axial inductor	LAU100K
	L203, L303, L304, L401 – L403,	LAU2R2M
	L501 Axial inductor	
	L701 Axial inductor	LAU220K
	L301 FM coil	ATC1001
	L302 FM coil	ATC1002
	L305 FM coil	ATC1003
	T201 AM ANT. transformer	ATB-087
	T202 AM IF transformer	ATB1002
	T501 FM DET. transformer	ATE-068
Δ	T601 Power transformer	ATT1094
	T301 FM RF transformer	ATC-194
	T302 FM matching transformer	ATE-063
	F401, F405, F406 FM ceramic filter	ATF-109
	F201 AM ceramic filter	ATF1004
	F402 Ceramic filter	ATF-119
	F403 Ceramic filter	ATF1067
	F404 Ceramic filter	ATF1068
	F501, F502 Low pass filter	ATF1069

CAPACITORS

Mark	Symbol & Description	Part No.
C210	(470p/50V)	ACE1039
C524	(390p/50V)	ACG-023
C502, C517, C519, C548	(0.047 μ /25V)	ACG-038
C212, C308, C614 – C616, C701 – C703, C710	(100p/50V)	ACG1017
C217, C228	(1000p/50V)	ACG1020
C201, C203, C205 – C207, C213, C216, C219, C220, C224, C241, C303, C307, C310, C311, C316, C401, C403, C404, C407, C410, C414	(0.01 μ /50V)	ACG1021
C208, C211, C214, C215, C218, C225, C229, C510, C512, C617, C618	(0.022 μ /50V)	ACG1022
C708	(22000 μ /5.5V)	ACH1023
TC201, TC202	Ceramic trimmer	ACM-019
C209, C317		CCMCH070D50
C237, C238, C312, C507		CCMCH150J50
C313, C506		CCMCH330J50
C620		CEANP220M50
C602		CEANP470M50
C240, C508, C509, C511		CEAS010M50
C523		CEAS1R5M50
C527, C528, C546, C604, C605, C704, C709		CEAS100M25
C202, C204, C619		CEAS2R2M50
C520, C529		CEAS220M25
C603		CEAS221M35
C515		CEAS3R3M50
C221, C234, C243, C245, C249, C612		CEAS330M16
C222, C223, C226		CEAS4R7M50
C236, C247, C532, C606, C607, C706		CEAS470M10
C525		CEAS6R8M50
C503, C516		CEXA101M25
C518		CEXA222M16
C601		CEXA332M35
C608		CEYA100M16
C547		CEYA221M16
C235, C402, C609, C613		CEYA330M16
C537 – C540		CEYA4R7M50
C227		CFTXA103J50
C230, C239		CFTXA104J50
C231		CFTXA153J50
C242, C244		CFTXA224J50
C232, C521		CFTXA473J50
C233		CFTXA563J50
C541		CFTXA333J50
C246, C248, C405, C406, C408, C409, C411, C415 – C417, C610, C705, C707		CKDYF223Z50

Mark	Symbol & Description	Part No.
C305		CCCRH330J50
C309		CCDCH010C50
C306		CCDCH020C50
C302, C304		CCDRH330J50
C301		CCDRH390J50
C315		CCDTH180J50
C314		CCMCH080D50
C418, C501, C504, C505, C611		CKDYX473M25
C513, C514		CKMYB181K50
C530, C531		CQMXA222J100
C621		CQMXA473J100
C533, C534		CQPXA222J2A
C535, C536, C542, C543		CQPXA332J2A
C522		CQSA152J50
C526		CQSA682J50

RESISTORS

Mark	Symbol & Description	Part No.
VR507	Semi-fixed (2.2k)	VRTS6VS222
VR506	Semi-fixed (220)	ACP1021
VR503	Semi-fixed (1k)	ACP1022
VR501, VR502	Semi-fixed (4.7k)	ACP1024
VR504	Semi-fixed (10k)	ACP1025
VR508	Semi-fixed (22k)	ACP1026
VR201	Semi-fixed (47k)	ACP1027
VR505	Semi-fixed (100k)	ACP1028
R623		RS1LMF152J
R522		RN1/4PQ5601F
R613	Fuseble	RFA1/4PS4R7J
R611		RD1/2PMF101J
R251, R610, R612, R614		RD1/2PM□□□J
R228, R503, R504, R506, R524 – R541, R543		RDR1/4PM□□□J
R622	(2.2M, 1/2W)	ACN-208
R205, R215, R223 – R227, R221, R248, R507 R508, R512 – R520, R523, R602 – R605		RD1/4PM□□□J
	Other resistors	RD1/8PM□□□J

OTHERS

Mark	Symbol & Description	Part No.
X202	Crystal resonator (7.200MHz)	ASS1005
X701	Ceramic resonator (4.19MHz)	ASS1018
X201	Ceramic resonator (450kHz)	ATF-125
	Antenna terminal (with 1PF)	AKA1013
	2P pin jack	AKB1039
	Mini jack	AKN-207

Display Assembly
SEMICONDUCTORS

Mark	Symbol & Description	Part No.
IC101, IC102		LC7570
D105	LED	AEL1072
D101 – D104		1SS252

SWITCHES

Mark	Symbol & Description	Part No.
	S101 - S122 Tact switch (STATION CALL, FM, AM, CCTS, MEMO, TUNING-DOWN, TUNING- UP, POWER, IF BAND, MPX MODE, RF ATT)	ASG1029

CAPACITOR

Mark	Symbol & Description	Part No.
	C101 (0.022 μ /50V)	ACG1022

RESISTORS

Mark	Symbol & Description	Part No.
	R101, R102 R103, R104	RD1/4PM□□□J RD1/8M103J

OTHER

Mark	Symbol & Description	Part No.
	V101 Fluorescent tube	AAV1077

7. FOR F-656/HE, HB, HEZ, HIX1B AND F-656-S/HEZ TYPES

7.1 CONTRAST OF MISCELLANEOUS PARTS

NOTES:

- Parts without part number cannot be supplied.
- The Δ mark found on some component parts indicates the importance of the safety factor of the part. Therefore, when replacing, be sure to use parts of identical designation.
- Parts marked by "©" are not always kept in stock. Their delivery time may be longer than usual or they may be unavailable.

The F-656/HE, HB, HEZ, HIX1B and F-656-S/HEZ types are the same as the F-656/KUC type with the exception of the following sections.

Mark	Symbol & Description	Part No.						Remarks
		F-656/KUC	F-656/HE	F-656/HB	F-656/HEZ	F-656/HIX1B	F-656-S/HEZ	
	FL filter	AAK1687	AAK1686	AAK1686	AAK1686	AAK1686	AAK1686	
	Acryl panel	AAK1717	AAK1685	AAK1685	AAK1685	AAK1685	AAK1685	
	Station call knob	AAD1549	AAD1549	AAD1549	AAD1549	AAD1549	AAD1551	
	Station call knob	AAD1550	AAD1550	AAD1550	AAD1550	AAD1550	AAD1552	
	Panel base	AMB1464	AMB1464	AMB1464	AMB1464	AMB1464	AMB1465	
	Front panel	ANB1275	ANB1275	ANB1275	ANB1275	ANB1275	ANB1276	
	Bonnet	AZN1745	AZN1745	AZN1745	AZN1745	ANE1140	AZN1803	
	Screw	BBT30P060FZK	BBT30P060FZK	BBT30P060FZK	BBT30P060FZK	BBT30P060FZK	ABA-274	
	Connection cord with mini plug	ADE-085	
	FM antenna assembly	ADH1007	ADH1002	ADH1002	ADH1002	ADH1002	ADH1002	
	Operating instructions (English)	ARB1168	...	ARB1168	
	Operating instrucitons (English/French/German/Italian/Dutch/Swedish/Spanish/Portuguese)	...	ARE1118	
	Operating instrucitons (German)	ARC1136	...	ARC1136	
	Operating instructions (Italian)	ARC1163	...	
	Front rear pad	AHA1095	AHA1095	AHA1095	AHA1095	AHA1200	AHA1095	
	Packing case	AHD1608	AHD1608	AHD1608	AHD1608	AHD1673	AHD1609	
Δ	AC power cord	ADG-088	ADG1021	ADG-063	ADG1010	ADG1010	ADG1010	
Δ	Fuse (500mA/125V, FU101)	AEK-136	
Δ	Fuse (T315mA/250V, FU101)	...	AEK1033	AEK1033	AEK1033	AEK1033	AEK1033	
	Tuner assembly	AWZ2416	AWZ2415	AWZ2415	AWZ2414	AWZ2417	AWZ2414	
	Rear panel	Non supply	Non supply	Non supply	Non supply	Non supply	Non supply	
	Spacer C	...	Non supply	Non supply	Non supply	Non supply	Non supply	

• Tuner Assemblies (AWZ2414, AWZ2415 and AWZ2417)

The Tuner Assemblies (AWZ2414, AWZ2415 and AWZ2417 types) are the same as the Tuner Assembly (AWZ2416) with the exception of the following sections.

Note: For the schematic diagram and P.C. board patterns, refer to pages 7 — 16.

Mark	Symbol & Description	Part No.				Remarks
		AWZ2416 (KUC type)	AWZ2414 (HEZ type)	AWZ2415 (HE, HB types)	AWZ2417 (HIX1B type)	
	Q301, Q305, Q306	2SK241	...	2SK241	...	
	Q302	2SC2786	...	2SC2786	...	
	Q304	2SC2668	...	2SC2668	...	
	Q704	2SC1740S	
	D301 — D303	1SV147	...	1SV147	...	
	D202, D401 — D408, D501, D608, D701 — D704	1SS252	1SS252	1SS252	1N4531	
	D705	1SS252	
	L301	ATC1001	...	ATC1001	...	
	L302	ATC1002	...	ATC1002	...	
	L303, L304	LAU2R2M	...	LAU2R2M	...	
	L305	ATC1003	...	ATC1003	...	
	L503, L505	...	LAU101K	...	LAU101K	
	L504	...	LAU010M	...	LAU010M	
	T301	ATC-194	...	ATC-194	...	
	T302	ATE-063	...	ATE-063	...	
△	T601 (Power Transformer)	ATT1094	ATT1107	ATT1107	ATT1107	
	F402	ATF-119	ATF1066	ATF-119	ATF1066	
	C301	CCDRH390J50	...	CCDRH390J50	...	
	C302, C304	CCDRH330J50	...	CCDRH330J50	...	
	C305	CCCRH330J50	...	CCCRH330J50	...	
	C306	CCDCH020C50	...	CCDCH020C50	...	
	C303, C307, C310, C311, C316	ACG1021	...	ACG1021	...	
	C308	ACG1017	...	ACG1017	...	
	C309	CCDCH010C50	...	CCDCH010C50	...	
	C312	CCMCH150J50	...	CCMCH150J50	...	
	C313	CCMCH330J50	...	CCMCH330J50	...	
	C314	CCMCH080D50	...	CCMCH080D50	...	
	C315	CCDTH180J50	...	CCDTH180J50	...	
	C317	CCMCH070D50	...	CCMCH070D50	...	
	C530, C531	CQMXA222J100	CQMXA152J100	CQMXA152J100	CQMXA152J100	
	C541	CFTXA333J50	CFTXA683J50	CFTXA333J50	CFTXA683J50	
	C542, C543	CQPXA332J2A	CQPXA152J2A	CQPXA152J2A	CQPXA152J2A	
	C544	...	CKDYF103Z50	...	CKDYF103Z50	
	C710	ACG1017	
	R251	RD1/2PM103J	
	R301, R304	RD1/8PM473J	...	RD1/8PM473J	...	
	R302	RD1/8PM470J	...	RD1/8PM470J	...	
	R303, R307	RD1/8PM221J	...	RD1/8PM824J	...	
	R305	RD1/8PM824J	...	RD1/8PM824J	...	
	R306, R420	RD1/8PM101J	...	RD1/8PM101J	...	
	R308	RD1/8PM512J	...	RD1/8PM512J	...	
	R309	RD1/8PM123J	...	RD1/8PM123J	...	
	R310	RD1/8PM682J	...	RD1/8PM682J	...	
	R311, R312	RD1/8PM151J	...	RD1/8PM151J	...	

Mark	Symbol & Description	Part No.				Remarks
		AWZ2416 (KUC type)	AWZ2414 (HEZ type)	AWZ2415 (HE and HB types)	AWZ2417 (HIX1B type)	
△	R419	RD1/8PM471J	RD1/8PM102J	RD1/8PM471J	RD1/8PM102J	
	R536, R537	RDR1/4PM333J	RDR1/4PM273J	RDR1/4PM333J	RDR1/4PM273J	
	R538, R539	RDR1/4PM132J	RDR1/4PM561J	RDR1/4PM152J	RDR1/4PM561J	
	R540, R541	RDR1/4PM242J	RDR1/4PM332J	RDR1/4PM222J	RDR1/4PM332J	
	R622	ACN-208	
	R704	...	RD1/8PM223J	RD1/8PM223J	RD1/8PM223J	
	R708	RD1/8PM104J	
	R729	RD1/8PM154J	
	R730	RD1/8PM154J	
	R731	RD1/8PM102J	
	R732	RD1/8PM472J	
	Terminal (ANT.PAL) (2P)	...	AKA1012	AKA1012	AKA1012	
	Terminal (ANT.F) (1P)	AKA1013	
	Jack (mini)	AKN-207	
	FM Front End	...	AXF1032	...	AXF1032	

• Display Assembly (HE, HB, HIX1B and HEZ types)

The Display Assembly (HE, HB, HIX1B and HEZ types) is the same as the Display Assembly (KUC type) with the exception of the following sections.

Mark	Symbol & Description	Part No.				Remarks
		KUC type	HE, HB types	HIX1B type	HEZ type	
	D101 – D104	1SS252	1SS252	1SS252	1N4531	

8. IC INFORMATION

8.1 TUNER CONTROL MICROCOMPUTER PD5107

Functions of terminals.

No.	NAME	DESCRIPTION	ACTIVE	NO.	NAME	DESCRIPTION	ACTIVE
1	V _{CC}	Power supply (5V).	—	33	P57	N. C.	—
2	AV _{SS}	A/D, D/A GND (0V).	—	34	P56	KEY MATRIX INPUT	—
3	V _{REF}	Reference voltage (5V).	—	35	P55		—
4	D/A	Added voltage for CCTS.	—	36	P54		—
5	PWM	N. C.	—	37	P53		—
6	P63	Forced mono.	H	38	P52		—
7	P62	MUTE	H	39	P51		—
8	P61	Hi-Blend	H	40	P50		—
9	P60	NARROW	L	41	P17		N. C.
10	P47	N. C.	—	42	P16	N. C.	—
11	AN6	0-VOLT MUTE (A/D)	—	43	P15	N. C.	—
12	AN5	AM S METER (A/D)	—	44	P14	N. C.	—
13	AN4	FM S METER (A/D)	—	45	P13	WIDE	L
14	P43	9k/10k input.	—	46	P12	AM +B	L
15	P42	Stereo information (L=Stereo).	—	47	P11	FL AC	L
16	P41	Japan/Ex input.	—	48	P10	FM +B	L
17	P40	N. C.	—	49	P07	POWER MUTE	H
18	P37	N. C.	—	50	P06	POWER	L
19	P36	N. C.	—	51	P05	TEST DATA	L
20	P35	N. C.	—	52	P04	N. C.	—
21	P34	N. C.	—	53	P03	KEY MATRIX OUTPUT (TACT)	—
22	P33	RF ATT	H	54	P02		—
23	$\overline{\text{INT}}_2$	Back-up interrupt (AC input)	—	55	P01		—
24	P30	Remote control data input.	L	56	P00		—
25	P31	POWER IND	—	57	P27	N. C.	—
26	$\overline{\text{INT}}_1$	N. C. (5V Pull UP)	—	58	P26	N. C.	—
27	CNV _{SS}	GND	—	59	P25	FL blank.	H
28	$\overline{\text{RESET}}$	Power supply ON reset.	L	60	P24	LC7570 (No. 2) enable.	—
29	X _{IN}	Oscillation input (fo = 4MHz).	—	61	P23	LC7570 (No. 1) enable.	—
30	X _{OUT}	Oscillation output.	—	62	P22	PLL enable.	—
31	ϕ	N. C.	—	63	P21	Data for transmission of serial data	—
32	V _{SS}	GND	—	64	P20	Clock for transmission of serial data.	—

Power supply ON/OFF sequence.

<Power supply ON>

Rises under one of the two following conditions.

- (1) V_{CC} = 5 V ± 10%. Returning to H upon maintaining $\overline{\text{RESET}}$ terminal in L for 2 μs or more.
- (2) When there has been 32 interrupts in $\overline{\text{INT}}_2$.

<Power supply OFF>

Back-up under the following conditions.

$\overline{\text{INT}}_2 = 60$ ms or more and AC has not entered.

$\overline{\text{INT}}_2$ becomes the interrupt mode only during back-up. It is normal input state at normal times and there is one-time polling to timer Q at 5 ms.

Main unit key	Remote control key	SR code	Function
IF BAND	None		With FM: Synchronizes Normal/Super Narrow switching display to switch. With AM: WIDE ON/OFF. Displays NORMAL during wide. There is a mute for approx. 1 second during switching. Mode Memory is possible.
RF ATT	None.		Switches between RF ATT ON/OFF each time it is pressed. Display RF ATT when ON. Operates only during FM. Mode memory possible. There is a mute for approx. 1 second during switching.
POWER	POWER	A4 1C	Power supply goes ON or OFF each time this is pressed. LED lights when power supply in ON. If the Memory key and this key (main unit only and double push) are pressed down during the power ON. All FL displays will extinguish (operations are normal). If any key other than Power is pressed in this state, the FL displays will light for 5 seconds and then extinguish (operations of the pressed keys are normal). However, during UP/DOWN of frequency, the FL display is lit. The displays are extinguished after approx. 5 seconds of frequency UP/DOWN stops. POWER OFF releases this mode.
None	POWER ON	A4 1A	Turns power ON when power is OFF. No work when power is ON.
None	POWER OFF	A4 1B	Turns power OFF when power in ON. No work when power is OFF.
None	BAND	A4 13	Frequency band is changed each time this is pressed. FM — AM
None	MEMORY UP	A4 10	Calls one large ST from the ST No. in the present state. Continuous operation is possible. Call ST 1 when there is no ST No. Mute for approx. 1 second.
None	MEMORY DOWN	A4 11	Calls one small ST from the ST No. in the present state. Continuous operation is possible. Calls ST 24 when there is no ST No. Mute for approx. 1 second.

Auto Stop

- Goes to Stop if it receives signals from a station that fulfills conditions of 2 or more signal meters lit during Auto mode.

Test mode

The data below is loaded when P05 = L.

ST	9 k step	10 k step	ST	9 k step	10 k step
1	FM 87.50 M	FM 87.5 M	7	FM 108.00 M	FM 108.0 M
2	FM 89.00 M	FM 89.0 M	8	AM 531 k	AM 530 k
3	FM 90.00 M	FM 90.0 M	9	AM 603 k	AM 600 k
4	FM 99.00 M	FM 99.0 M	10	AM 1008 k	AM 1000 k
5	FM 106.00 M	FM 106.0 M	11	AM 1395 k	AM 1400 k
6	FM 107.00 M	FM 107.0 M	12	AM 1602 k	AM 1700 k

ST13 – 24

- : 9k step AM 1602k
- : 10k step AM 1700k

IF Band is normal, MPX is Auto.

Key input, remote control input function table.

Main unit key	Remote control key	SR code	Function
ST 1	ST 1	A4 01	When this is pressed once, ST1 to 12 are called individually (ST mode 1). If pressed again within two seconds, ST13 to 24 are called individually (ST mode 2). Each time it is pressed, the display changes back and forth between mode 1 and mode 2 ST. If the key is not pressed after that, it carries out CCTS operation (when CCTS is ON). The MUTE time is approx. 1 second when CCTS is OFF.
ST 2	ST 2	A4 02	
ST 3	ST 3	A4 03	
ST 4	ST 4	A4 04	
ST 5	ST 5	A4 05	
ST 6	ST 6	A4 06	
ST 7	ST 7	A4 07	
ST 8	ST 8	A4 08	
ST 9	ST 9	A4 09	
ST 10	ST 10	A4 00	
ST 11	ST 11	A4 46	
ST 12	ST 12	A4 47	
CCTS	None		Changes the CCTS mode each time it is pressed. During operation CCTS blinks and the S meter is extinguished. Then MUTE is on for approx. 3 seconds. When the operation is finished, CCTS lights and Mode Memory is not possible.
MEMORY	None		When this is pressed once, the unit goes to memory mode. When it is pressed again, it is released. If it is pressed repeatedly following this the operation is repeated. If ST key is pressed when MEMORY blinks (for approx. 5 seconds.), it will wait approx. 2 seconds from that time and then store the present data in ST. The memory mode is released if any keys are pressed other than the ST key, IF Band, MPX or RF ATT.
FM	FM	A4 0D	Does not operate during selecting FM. Carries out FM last call CCTS operation (when CCTS is on). Mutes for approx. 1 second.
AM	AM	A4 0E	Does not operate during selecting AM. Carries out AM last call CCTS operation (when CCTS is on). Mutes for approx. 1 second.
UP	UP	A4 56	When this is pressed once, the frequency is moved a step up. If the key is held down, the unit goes to the auto tuning mode after approx. 0.5 seconds. If the key is then held down for approx. 2 seconds, the unit goes to high speed search. High speed search stops when you release your hand. Auto tuning stops when the key is pressed. Will then go to CCTS operation when it stops if CCTS is ON.
DOWN	DOWN	A4 57	The only difference is that frequency goes DOWN. The operation is the same as for UP.
MPX	MPX	A4 1E	It changes as follows each time it is pressed: Auto (Stereo)—Hi Blend—Mono to synchronize the display. During AUTO, a weak input Mute is operating. The Mute does not operate during switching. Mode Memory is possible. Only operates with FM.

8.2 FL INDICATOR DRIVER LC7570

IC1 – LC7570

Functions of terminals

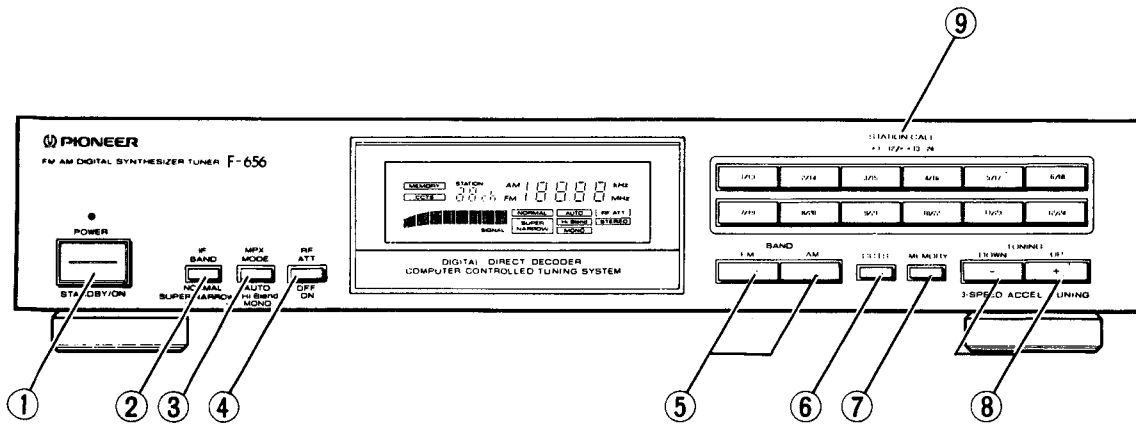
Pin-No.	Name	DESCRIPTION	Pin-No.	Name	DESCRIPTION
42	1a	CH 10 digit Seg. a.	25	4c	FRQ 10 digits, Seg. c
41	1b	CH 10 digit Seg. b.	24	4d	FRQ 10 digits, Seg. d
40	1c	CH 10 digit Seg. c.	23	4e	FRQ 10 digits, Seg. e
39	1d	CH 10 digit Seg. d.	22	4f	FRQ 10 digits, Seg. f
38	1e	CH 10 digit Seg. e.	21	S11	NORMAL
37	1g	CH 10 digit Seg. g.	20	S7	RF ATT
36	2a	CH 1 digit Seg. a.	19	B8	S meter display (MSB).
35	2b	CH 1 digit Seg. b.	18	B7	S meter display (7).
34	2c	CH 1 digit Seg. c.	17	B6	S meter display (6).
33	2d	CH 1 digit Seg. d.	16	B5	S meter display (5).
32	2e	CH 1 digit Seg. e.	15	B4	S meter display (4).
31	2f	CH 1 digit Seg. f.	14	B3	S meter display (3).
30	2g	CH 1 digit Seg. g.	13	B2	S meter display (2).
29	3b	FRQ 100 digits, Seg. b.	12	B1	S meter display (LSB).
28	3c	FRQ 100 digits, Seg. c.	11	S3	STATION ch
27	4a	FRQ 10 digits, Seg. a.	10	S2	CCTS
26	4b	FRQ 10 digits, Seg. b.	9	S1	MEMORY

IC2 – LC7570

Functions of terminals

Pin-No.	Name	DESCRIPTION	Pin-No.	Name	DESCRIPTION
42	4g	FRQ 10 digits, Seg. g.	25	6f	FRQ 0.1 digits, Seg. f.
41	5a	FRQ 1 digits, Seg. a.	24	6g	FRQ 0.1 digits, Seg. g.
40	5b	FRQ 1 digits, Seg. b.	23	7a	FRQ 0.01 digits, Seg. a.
39	5c	FRQ 1 digits, Seg. c.	22	7b	FRQ 0.01 digits, Seg. b.
38	5d	FRQ 1 digits, Seg. d.	21	7c	FRQ 0.01 digits, Seg. c.
37	5e	FRQ 1 digits, Seg. e.	20	7d	FRQ 0.01 digits, Seg. d.
36	5f	FRQ 1 digits, Seg. f.	19	7e	FRQ 0.01 digits, Seg. e.
35	5g	FRQ 1 digits, Seg. g.	18	7f	FRQ 0.01 digits, Seg. f.
34	DP	FRQ COMMON	17	7g	FRQ 0.01 digits, Seg. g.
33	–	N. C.	16	B0	SIGNAL
32	–	N. C.	15	S5	FM MHz
31	–	N. C.	14	S4	AM kHz
30	6a	FRQ 0.1 digits, Seg. a.	13	S16	Hi Blend
29	6b	FRQ 0.1 digits, Seg. b.	12	S13	STEREO
28	6c	FRQ 0.1 digits, Seg. c.	11	S15	MONO
27	6d	FRQ 0.1 digits, Seg. d.	10	S12	AUTO
26	6e	FRQ 0.1 digits, Seg. e.	9	S14	SUPER NARROW

9. PANEL FACILITIES



① POWER (STANDBY/ON) switch/Indicator

Press to turn power on or off.
When the power is on, indicator lights.

- When this switch is set to the on position, power is supplied to the tuner's main circuits. The POWER unit's switch is geared to selecting the transformer's secondary so that even in STANDBY position, the unit's circuitry will work as long as the power cord is connected to a power outlet.

NOTE:

- The memory will be backed up so long as the power cord is not unplugged.
- If the power cord is unplugged, the memory will be retained for several days.

② IF BAND button

Each time this button is pressed the bandwidth of the IF circuit switches between "normal" and "super narrow" for the FM band and "wide" and "normal" for the AM band.

The selected bandwidth is displayed as follows:

In the FM band the **NORMAL** or **SUPER NARROW** indicator lights up. In the AM band the **NORMAL** indicator lights up or none of the two for "wide".

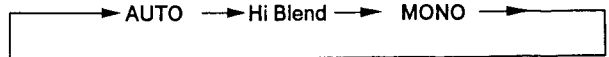
Set to SUPER NARROW in FM or NORMAL in AM band in case of interference from other stations.

NOTE:

The setting of this button is memorized together with the station in the station memory.

③ MPX (multiplex) MODE button

Mode changes as follows each time this button is pressed:



This button does not affect AM reception.

AUTO:

Depending on the broadcast station, STEREO or MONO is automatically selected.

AUTO indicator lights up.

NOTE:

When the signal level is too weak for reception, sound output is automatically muted.

Hi Blend:

Select this position when the stereo signal is noisy. High frequencies will be blended, improving sound quality.

Hi Blend indicator lights up.

MONO:

To receive stereo broadcasts in monaural.

MONO indicator lights up.

NOTE:

The setting of this button is memorized together with the station in the station memory.

④ RF ATT button

Set this switch to ON when receiving strong FM signals (nearly stations) to reduce sound distortion (RF ATT indicator lights). Normally, this switch should be set to OFF.

NOTE:

The setting of this button is memorized together with the station in the station memory.

⑤ BAND selector buttons

FM:

Press to receive FM broadcasts.

AM:

Press to receive AM broadcast.

⑥ CCTS button

(Computer controlled tuning system)

When this button is set to ON, the unit's built-in microcomputer automatically performs the optimum tuning for the station received. (Initially, the CCTS indicator will flash and light continuously when tuning is optimum.)

⑦ MEMORY button

Press to memorize preset stations. The MEMORY indicator will remain lit for several seconds. Press the desired STATION CALL buttons to memorize it during this period.

MEMORY

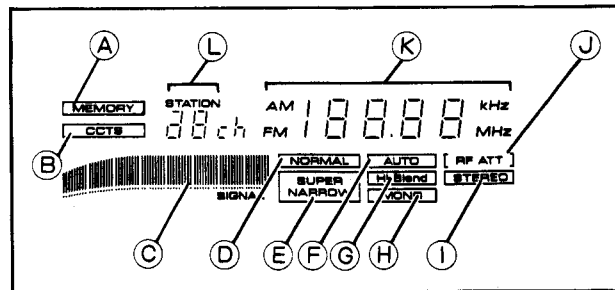
⑧ TUNING UP/DOWN buttons

Use these buttons to tune in broadcasting stations. Press UP (+) to receive a station whose frequency is higher than the displayed frequency, and DOWN (-) to tune in to a lower frequency station.

⑨ STATION CALL buttons

Use these buttons to preset stations and to receive already preset stations.

OPERATING DISPLAY



Ⓐ MEMORY indicator

Lights for a few seconds when the MEMORY button is pressed.

Ⓑ CCTS indicator

This indicator flashing when the CCTS is operating.

Ⓒ SIGNAL indicator

Ⓓ NORMAL indicator

Stays lit while the IF BAND button is set to NORMAL.

Ⓔ SUPER NARROW indicator

Stays lit while the IF BAND button is set to SUPER NARROW.

Ⓕ AUTO indicator

Stays lit while the MPX MODE button is set to AUTO.

Ⓖ Hi Blend indicator

Stays lit while the MPX MODE button is set to Hi Blend.

Ⓢ MONO indicator

Stays lit while the MPX MODE button is set to MONO.

Ⓣ STEREO indicator

Lights up when a stereo broadcast is received. (The indicator does not light when the MPX MODE button is set to MONO.)

Ⓡ RF ATT indicator

Stays lit while the RF ATT button is on.

Ⓚ Frequency indicator

Shows reception band and frequency.

Ⓛ STATION indicator

When a STATION CALL buttons are pressed, it will show the corresponding channel number.

10. SPECIFICATIONS

FM Tuner Section

Frequency range	87.5 MHz to 108 MHz
Usable Sensitivity	
NORMAL	Mono: 12.1 dBf, IHF (1.1 μ V/75 Ω)
50 dB Quieting Sensitivity	
NORMAL	Mono: 15.9 dBf, IHF (1.7 μ V/75 Ω)
	Stereo: 36.2 dBf, IHF (17.7 μ V/75 Ω)
Sensitivity (DIN)	
NORMAL	Mono: 0.75 μ V/75 Ω
	Stereo: 28 μ V/75 Ω
Signal-to-Noise Ratio	Mono: 85 dB (at 80 dBf)
	Stereo: 80 dB (at 80 dBf)
Signal-to-Noise Ratio (DIN)	Mono: 72 dB
	Stereo: 65 dB
Distortion (at 80 dBf)	
NORMAL	Mono: 0.06% (100 Hz)
	0.06% (1 kHz)
	0.1% (6 kHz)
	Stereo: 0.1% (100 Hz)
	0.1% (1 kHz)
	0.15% (10 kHz)
SUPER NARROW	Mono: 0.15% (1 kHz)
	Stereo: 0.5% (1 kHz)
Capture Ratio	
NORMAL	1.0 dB
Alternate Channel Selectivity	
NORMAL	80 dB (400 kHz)
Stereo Separation	60 dB (1 kHz)
	50 dB (20 Hz to 10 kHz)
Frequency Response	+ 0.4 dB (20 Hz to 15 kHz)
	- 1.0
Image Response Ratio	50 dB
IF Response Ratio	90 dB
AM Suppression Ratio	60 dB
Spurious Response Ratio	70 dB
Subcarrier Product Ratio	55 dB
Muting Threshold	25.2 dBf (5 μ V/75 Ω)
Antenna Input	75 Ω unbalanced

AM Tuner Section

Frequency range	530 kHz to 1700 kHz (Step 10 kHz)
	531 kHz to 1602 kHz (Step 9 kHz)
Sensitivity (IHF, Loop antenna)	150 μ V/m
Selectivity	40 dB
Signal-to Noise Ratio	50 dB
Image Response Ratio	40 dB
IF Response Ratio	60 dB
Antenna	Loop Antenna

Audio Section

Output (Level/Impedance)	
FM (100% MOD) FIXED	650 mV/0.9 k Ω
AM (30% MOD) FIXED	150 mV/0.9 k Ω

Miscellaneous

Power Requirements	
U.K. model	a.c.240 Volts \sim , 50/60 Hz
U.S., Canadian models	a.c.120V, 60 Hz
Other models	a.c.220 Volts \sim , 50/60 Hz
Power Consumption	
U.K. model	10W
U.S., Canadian models	11W
Other models	10W
Dimensions	420 (W) \times 86 (H) \times 316 (D) mm
	16-1/2 (W) \times 3-3/8 (H) \times 12-7/16 (D) in
Weight (without package)	3.4 kg (7 lb 8 oz)

Furnished Parts

FM T-type Antenna	1
AM Loop Antenna	1
Connecting Cord with Pin Plugs	1
Operating Instructions	1
Control cord with mini pin plugs (U.S., Canadian models only)	1

NOTE:

Specifications and design subject to possible modification without notice, due to improvements.

MAINTENANCE OF EXTERNAL SURFACES

- Use a polishing cloth or dry cloth to wipe off dust and dirt.
- When the surfaces are very dirty, wipe with a soft cloth dipped in some neutral cleanser diluted five or six times with water and wrung out well, then wipe again with a dry cloth. Do not use furniture wax or cleaners.
- Never use thinners, benzine, insecticide sprays and other chemicals on or near this unit, since these will corrode the surfaces.

POWER-CORD CAUTION

Handle the power cord by the plug. Do not pull out the plug by tugging the cord and never touch the power cord when your hands are wet as this could cause a short circuit or electric shock. Do not place the unit, a piece of furniture, etc., on the power cord, or pinch the cord. Never make a knot in the cord or tie it with other cords. The power cords should be routed such that they are not likely to be stepped on. A damaged power cord can cause fire or give you an electrical shock. Check the power cord once in a while. When you find it damaged, ask your nearest PIONEER authorized service center or your dealer for a replacement.