

PARTS LIST

for



REFRIGERATOR

MODEL
EB22RKXXW00

▲W—White



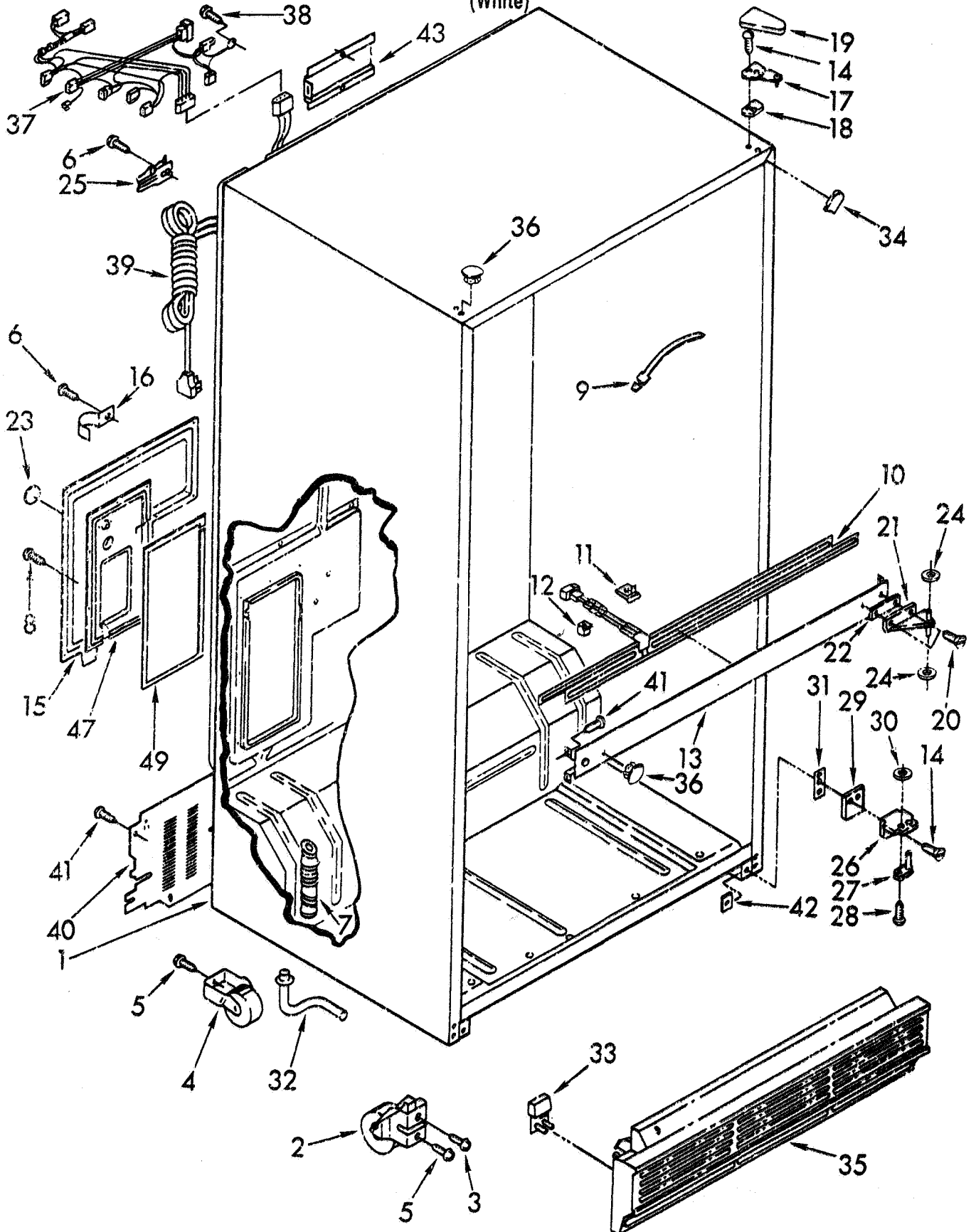
FOR CUSTOMER SATISFACTION ALWAYS USE
FACTORY SPECIFICATION PARTS



Whirlpool CORPORATION
Benton Harbor, Michigan.

CABINET PARTS

For Model: EB22RKXXW00
(White)



FOR ORDERING INFORMATION REFER TO PARTS PRICE LIST

CABINET PARTS

For Model: EB22RKXXW00
(White)

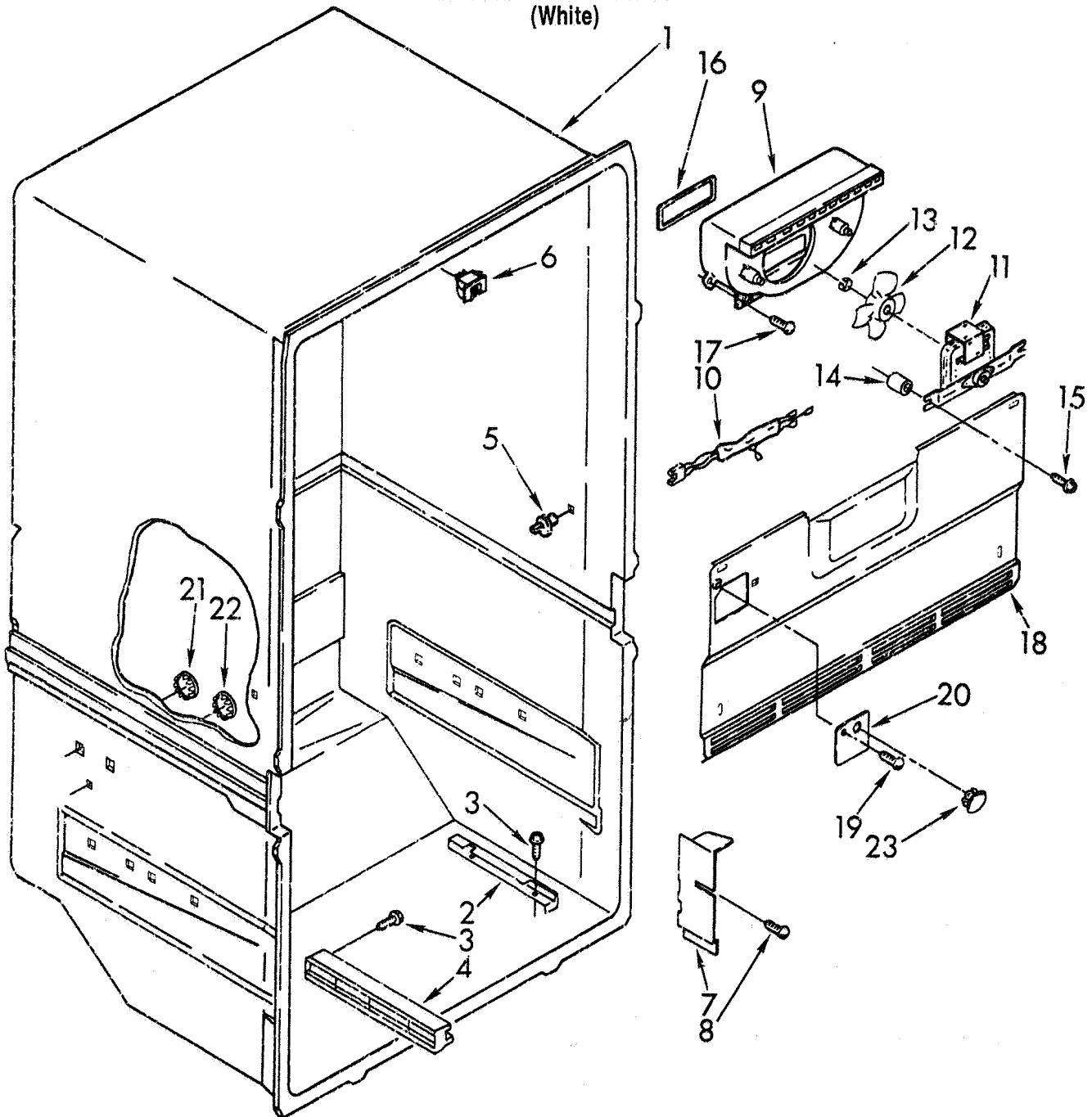
Illus. No.	Part No.	DESCRIPTION
1		Cabinet (Not A Serviceable Part)
2	2152011	Roller, Front
3	489333	Screw, 5/16-24 x 1-1/4
4	981122	Roller, Rear (2)
5	488454	Screw, 1/4-28 x 1/2 (6)
6	489242	Screw
7	942768	Drain Fitting
8	489337	Screw (10)
9	1123230	Strap, Mtg.
10	1105433	Heater, Mullion
11	2149060	Clip, Mullion (4)
12	1115105	Spacer (3)
13	1127242	Center Rail White
14	489327	Screw
15	2155548	Cover, Flush
16	1105607	Tube Clamp (3)
17	1123514	Hinge, Top
18	1123515	Shim, Hinge Top
19	842010	Hinge Cover White

Illus. No.	Part No.	DESCRIPTION
20	489179	Screw
21	2151685	Hinge, Center
22	2151688	Shim, Hinge Center
	836195	Shim, Center (Repair)
23	1129056	Hole Seal
24	488296	Washer, 11/64
25	549193	Clamp, Service Cord
26	836159	Hinge Butt, Bottom
27	654366	Hinge Pin, Bottom
28	488714	Screw, 10-32 x 5/16
29	836196	Shim, Bottom
30	487802	Washer, 7/32
31	1129868	Spacer
32	1127377	Extension, Drain Tube

Illus. No.	Part No.	DESCRIPTION
33	1125665	Corner Filler, Grille
34		Filler, Wrap Corner (2) White
	1110708	White
35	1125663	Grille
36		Hole Plug (5) White
	1129062	White
37	2149887	Cabinet Wiring Assembly
38	489048	Screw, 8-32 x 1/2
39	937360	Cord, Service
40	1105617	Cover, Unit
41	489084	Screw
42	2147310	Tap-Plate, Bottom Hinge
43	2149121	Cover, Wiring
47	2155537	Plug Cover
49	1121118	Sealing Gasket

LINER PARTS

For Model: EB22RKXXW00
(White)



Illus. No.	Part No.	DESCRIPTION
1		Liner (Not A Serviceable Part)
2		Slide, Basket
	986382	Right Side
	986383	Left Side
3	486298	Screw
4		Shelf Track,
	2149175	Right Side
	2149174	Left Side
5	118066	Stud (2)
6	1108112	Rocker Arm Switch

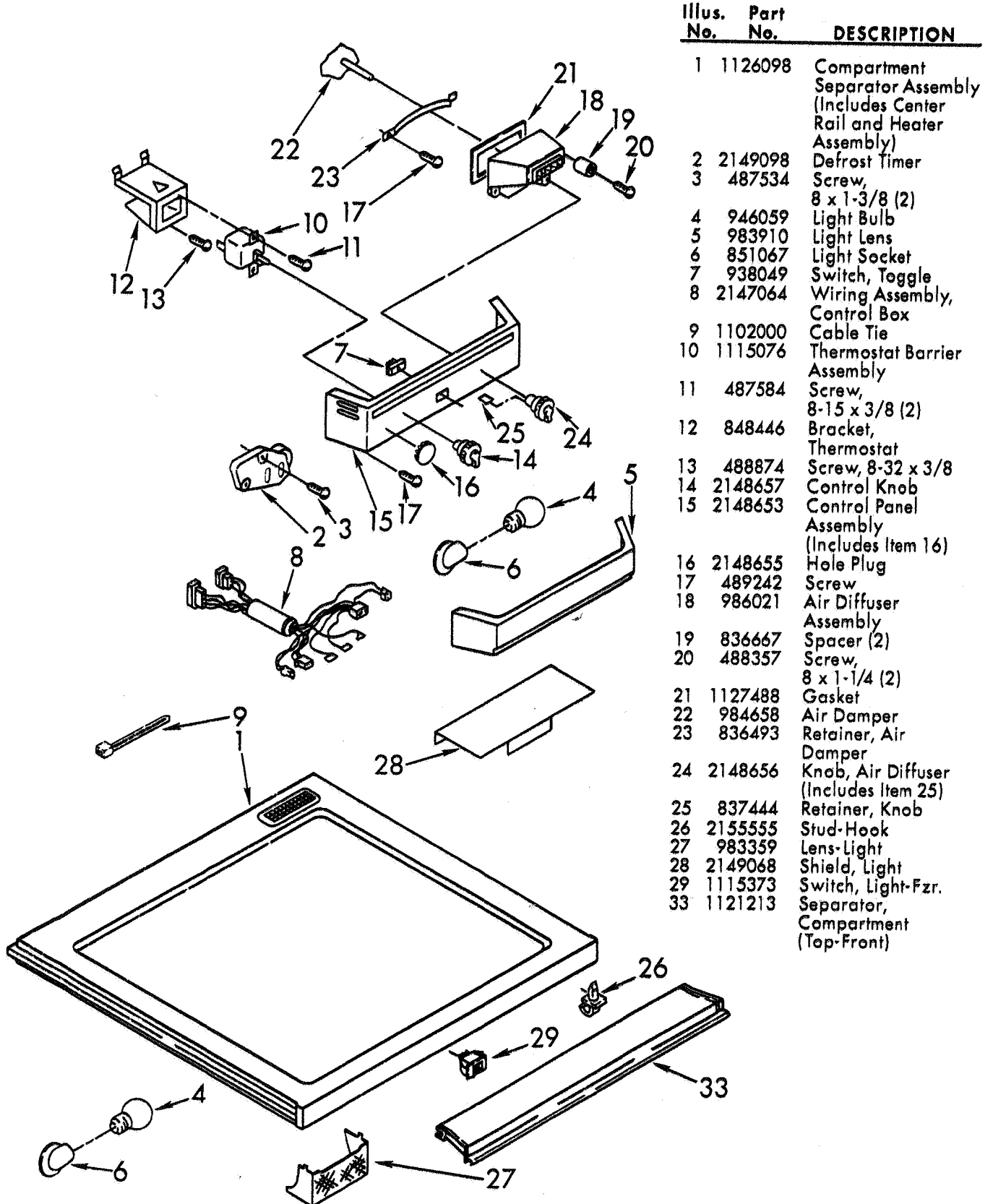
Illus. No.	Part No.	DESCRIPTION
7	1127396	Electrical Shield Extension
8	488624	Screw, 8-32 x 3/8
9	2149169	Scroll, Fan
10	1127434	Wiring Assembly, Fan Motor
11	1127401	Fan Motor
12	992920	Fan Blade
13	992953	Compression Ring
14	1114354	Grommet (2)

Illus. No.	Part No.	DESCRIPTION
15	489168	Screw (2)
16	1127406	Gasket, Fan Scroll
17	489242	Screw (4)
18	1115004	Cover, Evaporator
19	489196	Screw (7)
20	1129070	Hole Cover, Evaporator
21	941839	Hole Plug (2)
22	941839	Hole Plug
23	1103725	Hole Plug

FOR ORDERING INFORMATION REFER TO PARTS PRICE LIST

COMPARTMENT SEPARATOR PARTS

For Model: EB22RKXXW00
(White)

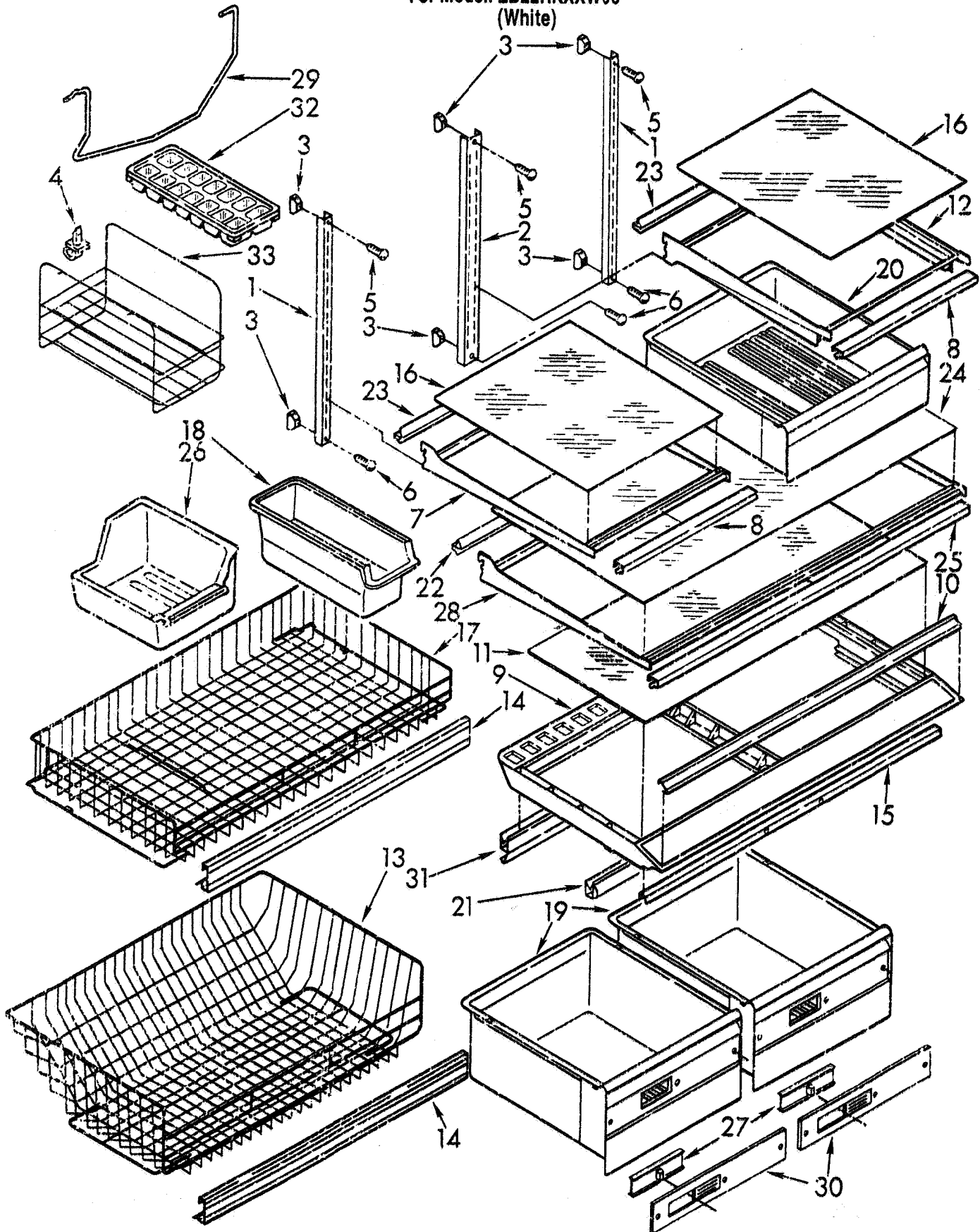


Illus. No.	Part No.	DESCRIPTION
1	1126098	Compartment Separator Assembly (Includes Center Rail and Heater Assembly)
2	2149098	Defrost Timer
3	487534	Screw, 8 x 1-3/8 (2)
4	946059	Light Bulb
5	983910	Light Lens
6	851067	Light Socket
7	938049	Switch, Toggle
8	2147064	Wiring Assembly, Control Box
9	1102000	Cable Tie
10	1115076	Thermostat Barrier Assembly
11	487584	Screw, 8-15 x 3/8 (2)
12	848446	Bracket, Thermostat
13	488874	Screw, 8-32 x 3/8
14	2148657	Control Knob
15	2148653	Control Panel Assembly (Includes Item 16)
16	2148655	Hole Plug
17	489242	Screw
18	986021	Air Diffuser Assembly
19	836667	Spacer (2)
20	488357	Screw, 8 x 1-1/4 (2)
21	1127488	Gasket
22	984658	Air Damper
23	836493	Retainer, Air Damper
24	2148656	Knob, Air Diffuser (Includes Item 25)
25	837444	Retainer, Knob
26	2155555	Stud-Hook
27	983359	Lens-Light
28	2149068	Shield, Light
29	1115373	Switch, Light-Fzr.
33	1121213	Separator, Compartment (Top-Front)

FOR ORDERING INFORMATION REFER TO PARTS PRICE LIST

SHELF PARTS

For Model: EB22RKXXW00
(White)



FOR ORDERING INFORMATION REFER TO PARTS PRICE LIST

SHELF PARTS

For Model: EB22RKXXW00
(White)

Illus. No.	Part No.	DESCRIPTION
1	1127413	Shelf, Ladder (2)
2	1127414	Shelf, Ladder Center
3	520965	Screw, Support (4)
4	2155555	Stud, Hook
5	489345	Screw 8-32 x 1-1/4 (3)
6	498163	Screw, 8 x 1-1/4 (3)
7	1110739	Shelf, Cantilever
8	2148526	Trim, Shelf
9	2148600	Crisper Cover
10	1119480	Trim, Crisper Cover
11	1124553	Glass, Crisper Cover
12	1110756	Pan Shelf, Cantilever
13	1127250	Freezer Basket, (Lower)
14	2148661	Trim, Basket
15	1106613	Crisper, Support
16	1124554	Glass, Shelf
17	2149146	Freezer Basket, (Upper)
18	1127196	Container
19	2148652	Pan, Crisper
20	2148530	Pan, Meat
21	1116512	Crisper Gasket, Front (2)
22	1120818	Reflector, Shelf
23	1106768	Reflector, Shelf
24	1124555	Glass, Full Shelf
25	2148528	Trim, Shelf
26	2148659	Ice Cube Pan
27	2148524	Slide, Crisper Shelf, Full
28	1116350	Cantilever
29	2149150	Arm-Icemaker
30	2148816	Crisper Pan, Front
31	1105653	Crisper Gasket, Rear (2)
32	841180	Ice Cube Tray
33	2147011	Ice Tray Rack

Illus. No.	Part No.	DESCRIPTION
Parts Not Illustrated and Optional Parts (Not Included)		
<u>Miscellaneous</u>		
	978941	Insulation, Fiberglass (63-1/2" x 35-1/2" x 2-5/8")
	212643	Sealer, Gum (4 Feet)
	479502	Tape, Vinyl (3/4" x 108")
	876305	Kit, Insulation (14 Pcs. 3" x 24" x 48")
	876370	Kit, Insulation (2 Pcs. 3" x 24" x 48")
	876029	Kit, Foam Slab (30" x 32-1/2" x 1-1/2")
	505587	Sealer, Mastic (1 Qt.)
	511873	Touch-Up, White Porcelain (2 Oz.)
	542638	Grease, Silicone (1/2 Oz.)
	542639	Cement, Alumilastic (1-1/4 Oz.)
	606755	Bag, Insulation (36-5/8" x 46")
	799833	Kit, Evaporator Repair (Aluminum Epoxy)
	503695	Cork Sealer (1/4 Pound)

Illus. No.	Part No.	DESCRIPTION
<u>Customer Touch-Up Material</u>		

*350942	Primer, White (13 Oz. Spray Can)
*350941	Leveler, Enamel (13 Oz. Spray Can)
*350939	Enamel, Black (13 Oz. Spray Can)
*350930	Enamel, White (13 Oz. Spray Can)
*350956	Enamel, Almond (13 Oz. Spray Can)
72017	Brush Touch-Up Kit (White)
72032	Brush Touch-Up Kit (Black)
72107	Brush Touch-Up Kit (Almond)

Refinishing Material

799344	Enamel, White (1 Qt. Uncut)
978883	Enamel, Almond (1 Qt. Uncut)
833938	Kit, Terminal Connector

*Caution: The Spray Paint Is Not To Be Used Where The Paint May Make Contact With The Door Gaskets

LITERATURE PARTS

LIT2148869	Energy Guide
LIT1127423	Care & Use Guide
LIT2149156	Service & Wiring Sheet
LIT4316138	Parts List Rev. A

ICE MAKER FIELD INSTALLABLE

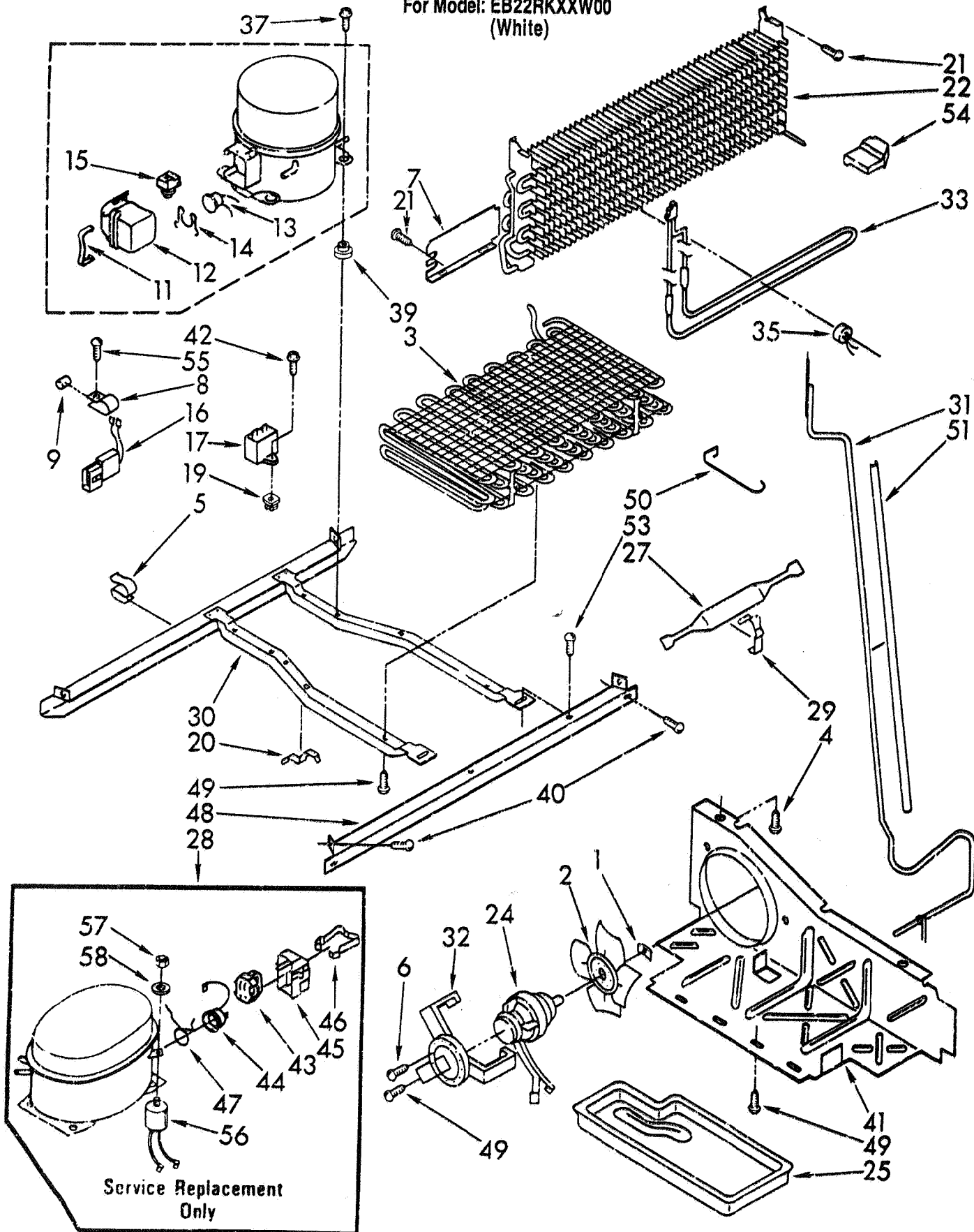
2149150	Sales Kit: ECKMF90 Arm Must Be Used With This icemaker
---------	--

TORX SCREW WRENCH

1117510	Torx Key
---------	----------

UNIT PARTS

For Model: EB22RKXXW00
(White)



Service Replacement Only

FOR ORDERING INFORMATION REFER TO PARTS PRICE LIST

UNIT PARTS

For Model: EB22RKXXW00
(White)

Illus. No.	Part No.	DESCRIPTION
1	486692	Spaced Nut
2	1108179	Fan, Blade
3	1105640	Condenser Assembly
4	489050	Screw
5	548745	Clip, Wire (2)
6	489019	Screw, 8-32 x 3/8
7	1115006	Air Baffle, Evaporator
8	510716	Tube Clamp
9	510769	Dampener
11	943322	Spring, Relay Case
12	1105055	Case, Relay
13	2147065	Overload
14	943320	Overload Spring
15		Relay, Order Overload To Obtain Relay. Key # 13
16	1118850	Housing Plug
17	1114291	Running Capacitor
19	509812	Screw
20	548744	Grommet
		Clip, Unit Cover (2)
21	489242	Screw
22	1114714	Evaporator
24	2149963	Fan Motor
25	1105524	Tray, Evaporator

Illus. No.	Part No.	DESCRIPTION
27	1105550	Drier
28	482982	Compressor (Includes Items 43, 44, 45, 46, 47, 56, 57 & 58) (Also Order 876765 Tube Kit)
29	1127590	Clamp, Drier
30	1127944	Unit Mounting Frame
31	1114723	Exchanger, Heat
32	548695	Fan, Motor Bracket
33	2149065	Heater, Defrost
35	1127430	Bi-Metal, Defrost
37	489373	Screw, 1/4-28 x 1
39	1100826	Grommet (4)
40	489340	Screw
41	1105530	Air Baffle
42	488687	Screw
43	1108143	Relay
44	483054	Overload
45	1105015	Cover
46	938384	Strap
47	1114190	Overload Spring
48	2149717	Unit Mounting Rail
49	488624	Screw
50	1105614	Guard, Fan

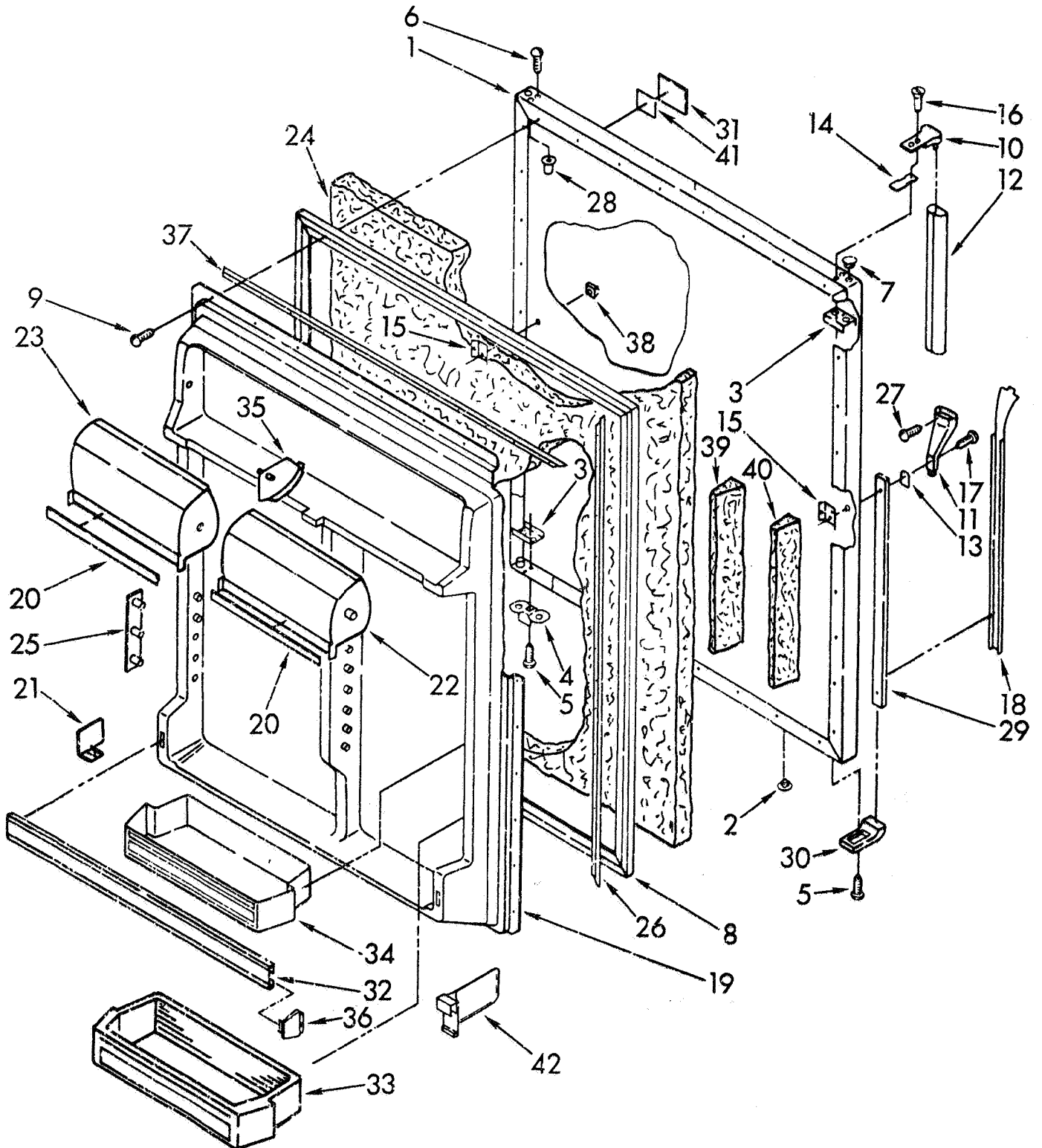
Illus. No.	Part No.	DESCRIPTION
51	1114734	Sleeve
53	489339	Screw, 1/4-28 x 1/2 (2)
54	1115128	Support (2)
55	488197	Screw, 8-32 x 1/2
56	482996	Capacitor
57	489142	Nut
58	489143	Washer

Following Parts Not Illustrated and Optional Parts Not Included

978025	Valve, Access (1/4")
978026	Valve, Access (5/16")
978027	Valve, Access (3/8")
978028	Valve, Access (1/2")
978029	Valve, Access (5/8")
978030	Valve, Access (3/4")
876764	Valve, Access (3/16")

REFRIGERATOR DOOR PARTS

For Model: EB22RKXXW00
(White)



FOR ORDERING INFORMATION REFER TO PARTS PRICE LIST

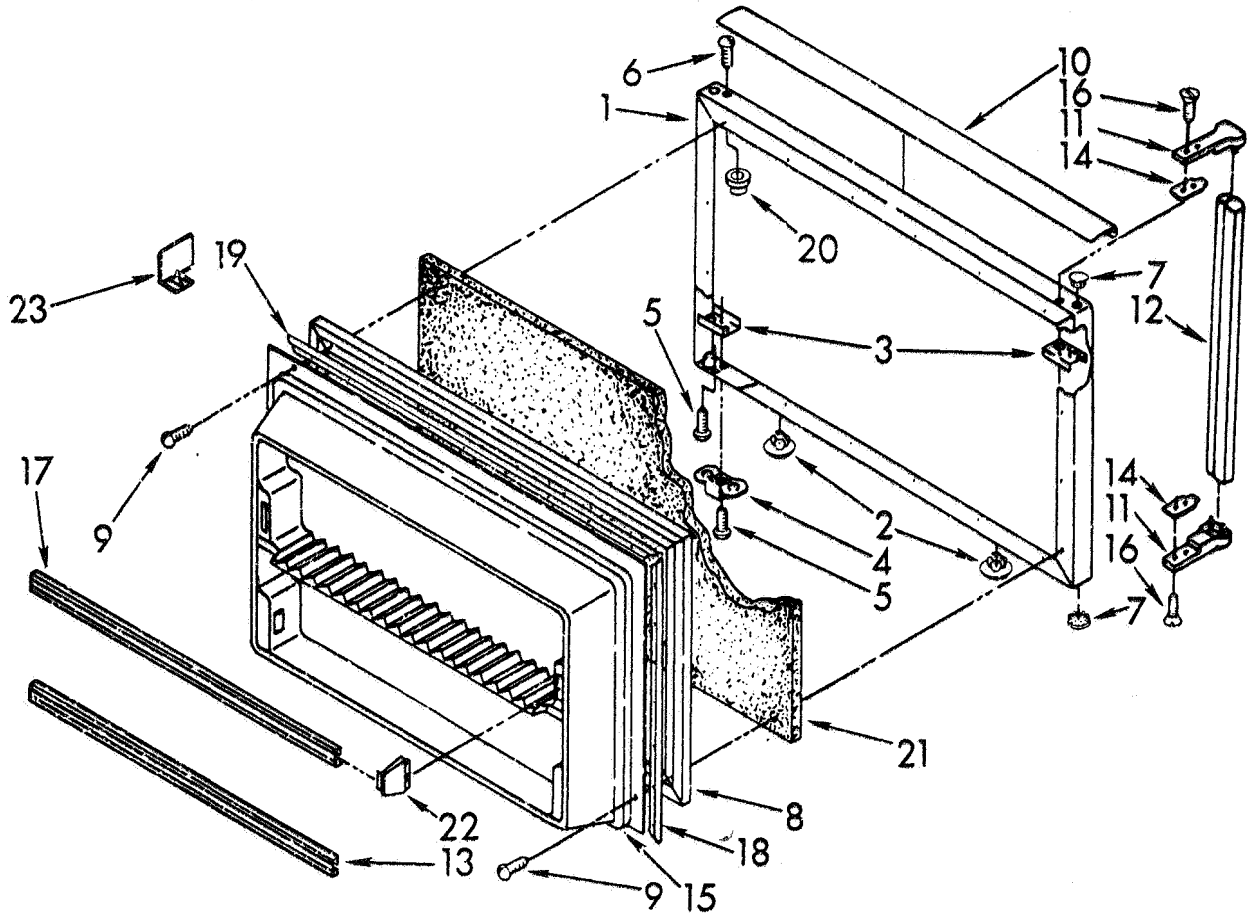
REFRIGERATOR DOOR PARTS

For Model: EB22RKXXW00

Illus. No.	Part No.	DESCRIPTION	Illus. No.	Part No.	DESCRIPTION	Illus. No.	Part No.	DESCRIPTION
1		Panel, Refrigerator Door (Also Order Item 24)	15	939101	Screw Anchor (2)	28	509929	Cap, Hinge Sleeve (4)
	1110304	White	16	489006	Screw, 8 x 5/8	29	935873	Retainer, Insert
2	534927	Hole Plug (2)	17	489022	Screw, 8 x 1/2	30	1105804	End Cap, Insert Retainer
3	943185	Plate, Tap (4)	18	2148666	Insert, Handle	31	2148544	Nameplate
4	944035	Bracket, Door Stop	19	1127254	Interior Door Panel	32	2148616	Trim, Door Shelf
5	488921	Screw, 8 x 1/2	20	1122750	Trim, Door Compartment Divider	33	2148549	Bin, Door Shelf (2)
6	489028	Screw, 8-15 x 1/2	21	2152335	Door Shelf	34	2148550	Bin, Door Shelf (Deep) (2)
7		Hole Plug	22	2148807	Compartment Door, Right Side	35	1118001	Hinge Pin, Center
	844478	White	23	2148809	Compartment Door, Left Side	36	1105685	End Cap Trim
8	1125925	Door Gasket, Magnetic	24	876029	Foam Insulation (Required When Replacing Exterior Door Panel)	37	836118	Gasket Retainer, Top & Bottom
9	489101	Screw, 7 x 1/2				38		Hole Plug, Handle White
	488552	Screw (Repair)	25	1116986	Pin Plate (8)	39	1122711	Door Dike, Center
10	944157	Handle End	26	986008	Gasket Retainer, Side (2)	40	1122709	Door Dike, Side (2)
11	1109189	Handle End, Side	27	489022	Screw, 6-20 x 3/8 (2)	41	991259	Tape Strip
12	2148665	Handle, Center				42	1123293	Divider-Deep
13	935075	Shim, Handle End (Side)						
14	943188	Spacer, Handle Door						

FREEZER DOOR PARTS

For Model: EB22RKXXW00
(White)



Illus. No.	Part No.	DESCRIPTION	Illus. No.	Part No.	DESCRIPTION	Illus. No.	Part No.	DESCRIPTION
1		Panel, Freezer Door (Also Order Item 21)	8	1125924	Door Gasket, Magnetic	17	2148555	Trim, Door Shelf
	1123159	White	9	489101	Screw, 7 x 1/2	18	986015	Gasket Retainer, Side (2)
2		Hole Plug (2)		488552	Screw (Repair)	19	836118	Gasket Retainer, Top & Bottom
	534927	White	10	1106148	Door Trim	20	509929	Cap, Hinge Sleeve (4)
3		Plate, Tap (4)	11	944157	End Cap (2)	21	876029	Kit, Foam Slab
4		Bracket, Door Stop	12	2148669	Handle, Center	22	1105685	EndCap, Trim (4)
5		Screw, 8 x 1/2	13	2148551	Trim, Door Shelf	23	1123293	Divider, Door Shelf (2)
6		Screw, 8-15 x 1/2	14	943188	Spacer, Handle Door (2)			
7		Hole Plug	15	1127255	Interior Door Panel			
	844478	White	16	489006	Screw, 8 x 5/8			

FOR ORDERING INFORMATION REFER TO PARTS PRICE LIST

To Reverse Door Swing

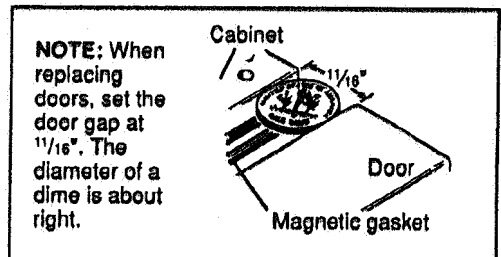
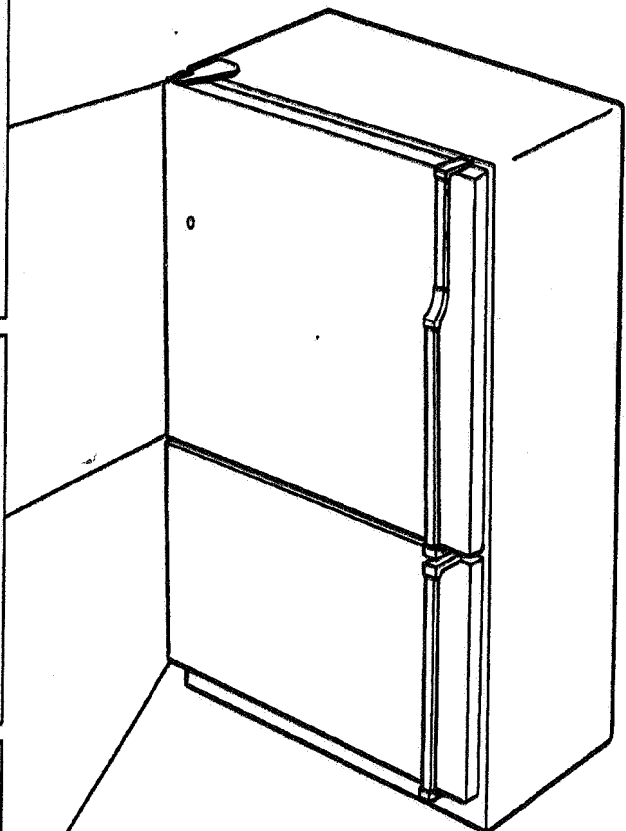
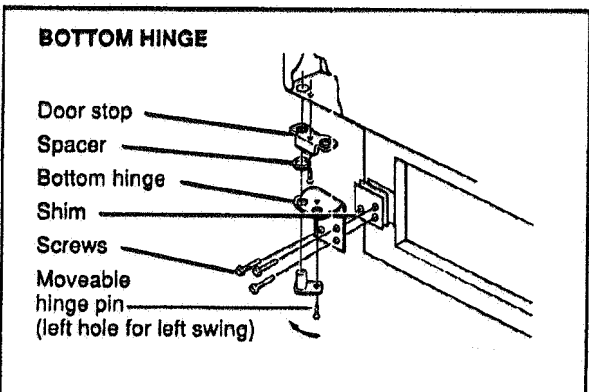
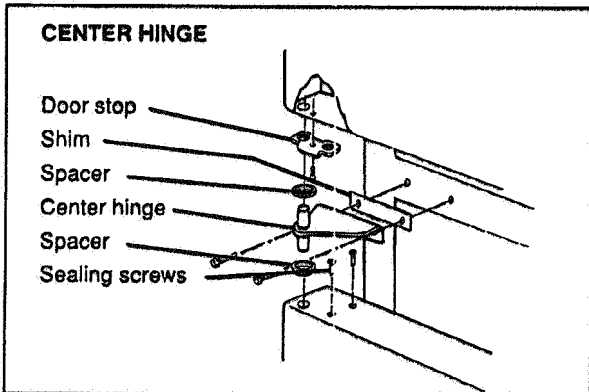
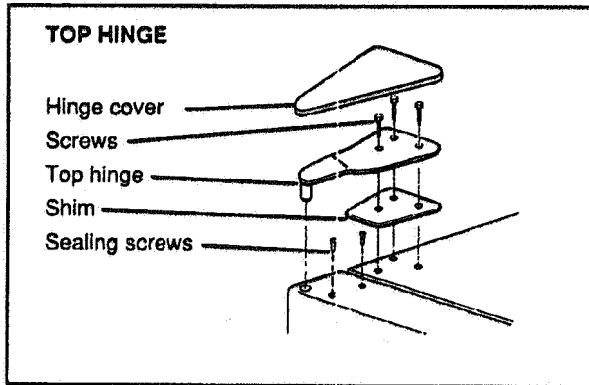
TOOLS NEEDED

To reverse the door swing from the right side to the left side, you will need:

- 5/16" Hex-head socket wrench
- No. 2 Phillips screwdriver
- Flat-head screwdriver

IMPORTANT INFORMATION

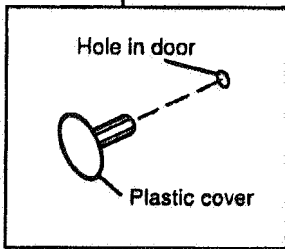
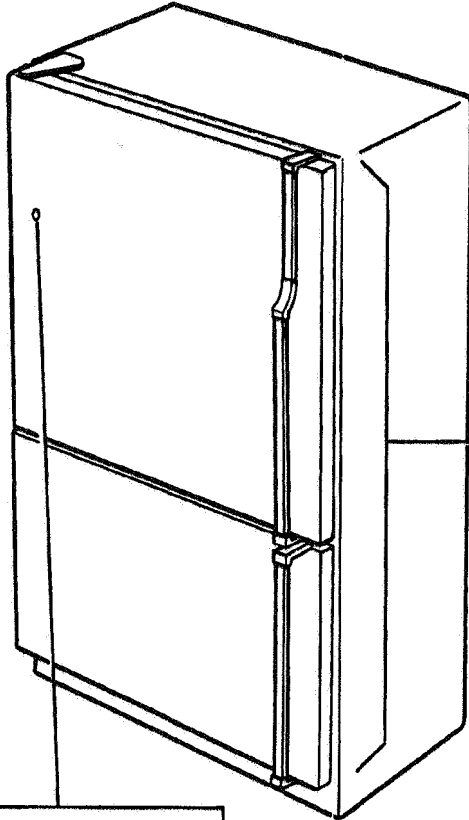
- Before you begin, turn refrigerator OFF, unplug it and remove any food from door shelves.
- When removing hinges, keep doors closed until ready to lift free from cabinet.
- To remove doors, start at the top hinge and work your way down.
- To replace doors, start at the bottom hinge and work your way up.
- Line up doors so they are centered between the sides of the cabinet and parallel with each other.
- Seal all unused holes with screws or plastic plugs. Moisture will enter any openings.
- If refrigerator light does not go out when the door is closed, the door may be too low. Use a thicker spacer if necessary.
- Door seal may be adjusted by moving the top hinge and by adding or removing shims to the center and bottom hinges.
- The refrigerator must be level and sitting on a solid floor.



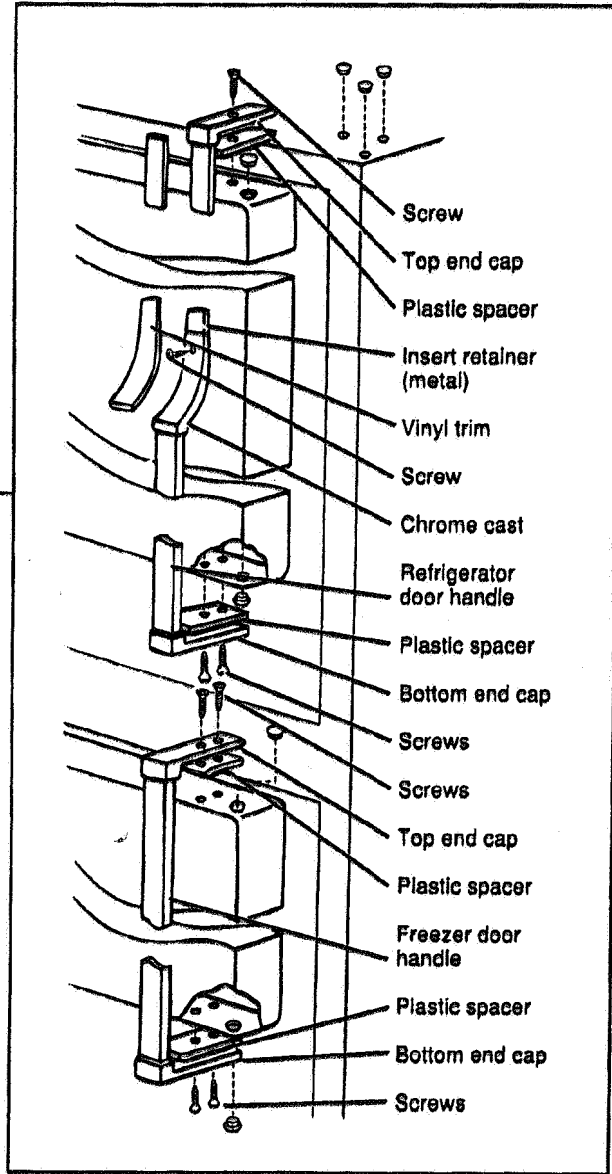
Part No. 2155033

To Reverse Handles

To remove and re-install the door handles, please follow the diagram below.



Push plastic plug into hole in door.



Part No. 2155033

WHIRLPOOL REFRIGERATOR MODEL EB22RK

Modification which will directly effect servicing or parts requirements are as follows:

1. 240 volts to 105 volts isolating power transformer & bracket assembly. Part No. 10685

A small quantity of spare transformers are currently held by Whirlpool 95-97 Frederick St Welland. At this stage it is probably best to order any spare parts requirements from there.

2. The transformer is attached to cabinet with tamper proof screws type "TORAX". Should it be necessary to remove transformer a suitable tool bit should be used.

3. Defrost timer Part No. 2149098 60 cycle replaced with Part No. 2154653 timer 50 cycle. Supplied by Whirlpool U.S.A.

4. To satisfy electrical safety finger test the cut out located in the metal plate located above the P.C. aluminium light guard needed to be covered. This has made the removal of light cover a little difficult. To remove light cover place screw driver vertically behind light cover, push up against the plate which will move up a little to allow the plastic light cover to be pushed back in the centre top position to release cover.

SERVICE AND WIRING SHEET 2149156

WARNING: DISCONNECT FROM ELECTRICAL SUPPLY BEFORE SERVICING.

PERFORMANCE DATA			
*(NORMAL OPERATING CONDITIONS)			
AMB	WATTS	SYSTEM PRESSURE (PSIG)	
		HIGH SIDE	LOW SIDE
70°	200±20	110±20	-5" TO 5#
90°	210±20	145±20	-2" TO 5#
110°	220±20	190±20	0" TO 6#

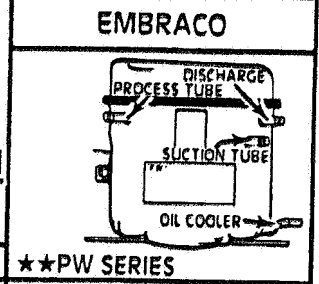
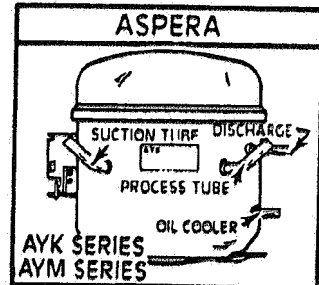
*Normal operating conditions are viewed when the air and temperature controls are at mid-setting, freezer section 0 to -5F and unit is cycling.

NOTE: Watt and pressure readings will vary and are influenced by the existing condition of the appliance, such as iced-up evaporator, condition of condenser, defrost cycle, pull-down time and customer use.

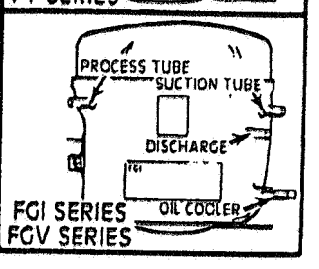
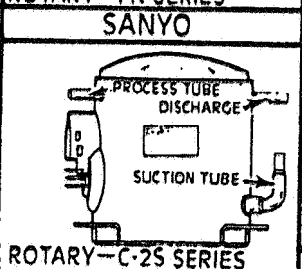
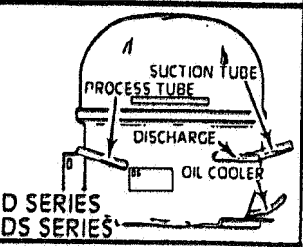
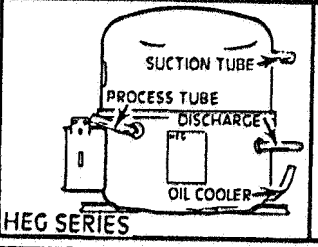
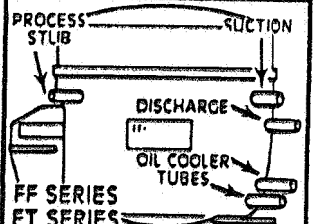
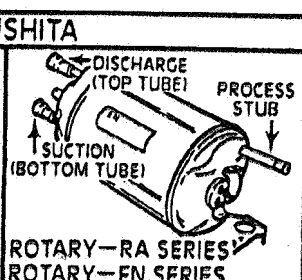
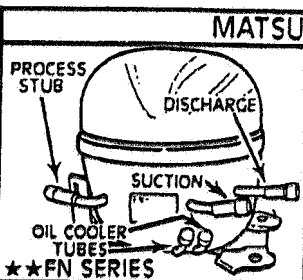
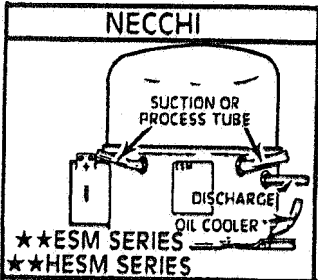
SERVICE INFORMATION (1118990)

1. COMPRESSOR SUCTION AND PROCESS STUBS MAY NOT BE INTERCHANGED UNLESS INDICATED BY **.
2. REFRIGERANT CHARGE MUST BE APPLIED TO HIGH SIDE ONLY.
3. ICE MAKER AND WATER VALVE NOT ORIGINAL EQUIPMENT ON ALL MODELS.
4. **CAUTION:** ICE MAKER CYCLE MUST BE INITIATED ELECTRICALLY. DO NOT TRY TO MANUALLY START CYCLE.
5. **SERVICE STILE HEATER:** IF SERVICE HEATER IS PRESENT AND ADDITIONAL STILE HEAT IS DESIRED, CUT OR/BK WIRE (UNDER WIRING COVER AT REAR OF CABINET) AND SPLICE IN OR WIRE.

GENERAL COMPONENT INFORMATION FOR ALL REFRIGERATOR/FREEZER MODELS		
BE SURE AND USE CORRECT REPLACEMENT PARTS		
COMPONENT (IF APPLICABLE)	WATTAGE @ 120V	OHMS RESISTANCE
DEFROST HEATER	525-750	19-27
COMPRESSOR:		
RUN WINDINGS	—	1-4
START WINDINGS	—	4-18
EVAPORATOR FAN	8-12	—
CONDENSER FAN	12-15	—
MULLION HEATER	3-7	2050-4800
MULLION HEATER/POWER SAVER	3-10	1440-4800
STILE HEATER/POWER SAVER	3-10	1440-4800
SERVICE STILE HEATER	10-17	.840-1440
DISPENSER HOUSING HEATER (DOOR)	2-6	2400-7200

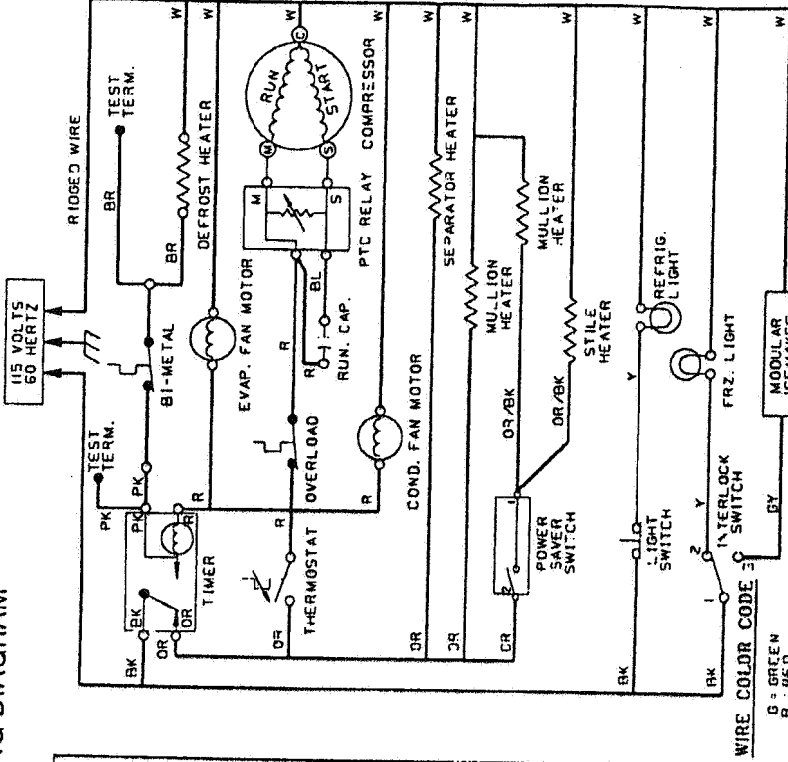
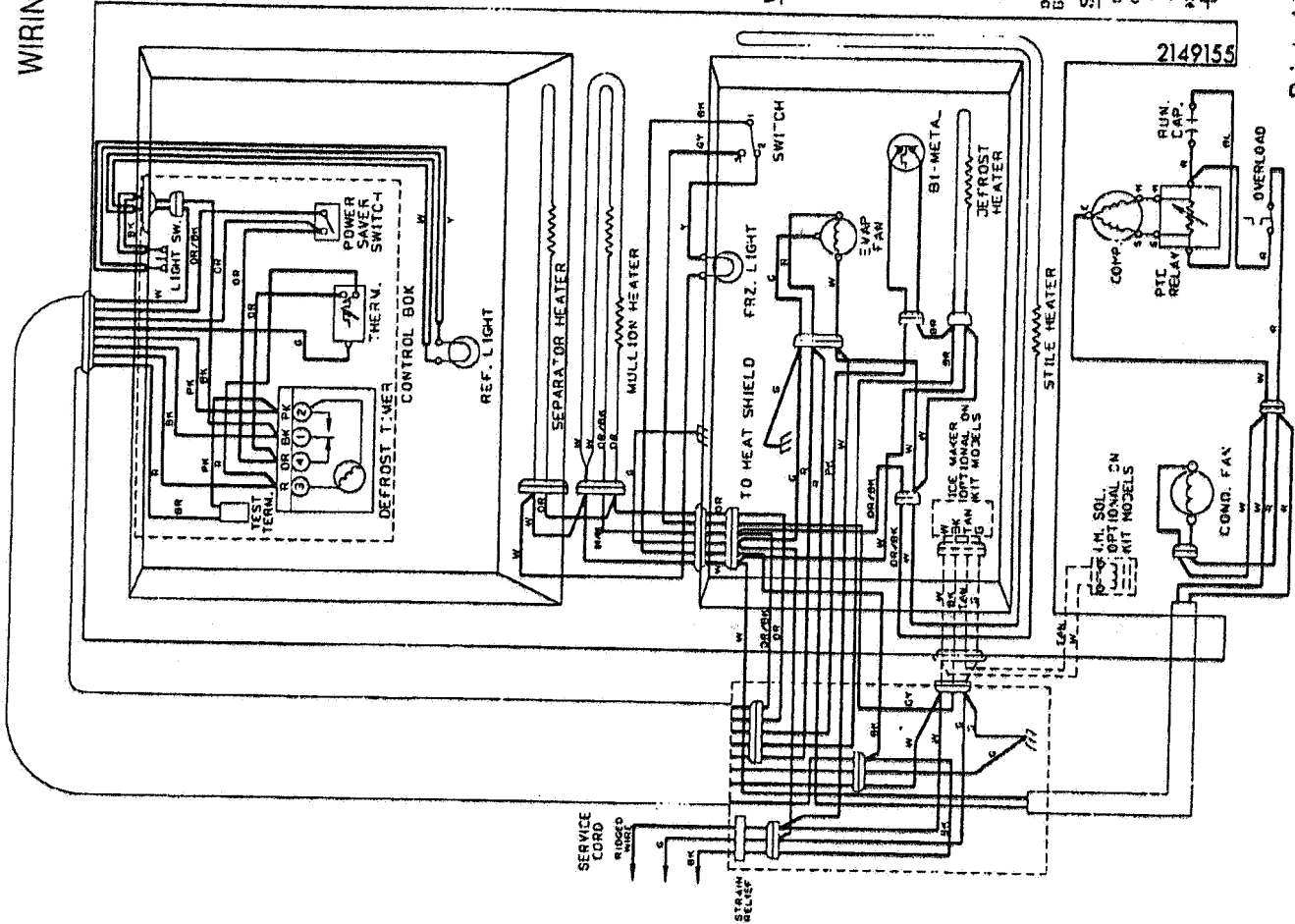


COMPRESSOR OPTIONS—REFER TO APPLICABLE DESIGN
(OIL COOLER NOT PRESENT ON ALL COMPRESSORS)



SERVICE DEFROST BIMETALS
PORCELAIN LINER MODELS—70°F OPEN
PLASTIC LINER MODELS—50°F OPEN

WIRING DIAGRAM



WIRE COLOR CODE

- G : GREEN
- R : RED
- W : WHITE
- Y : YELLOW
- BK : BLACK
- BL : BLUE
- DR : DROWN
- GR : GRAY
- PK : PINK
- TA : TAN
- PL : PURPLE
- WH : WHITE
- TR : RED TRACER
- YL : YELLOW TRACER
- GRN : GREEN TRACER
- YEL : YELLOW TRACER
- BLU : BLUE TRACER
- DRK : DARK TRACER
- OR : ORANGE TRACER
- BLK : BLACK TRACER

SYMBOL CODE

- ⊕ : CONNECTOR - SCREW ON
- ⊙ : CONNECTOR - CLOSED END
- ⊖ : DISCONNECT TERMINAL
- ⊛ : PERMANENT CONNECTION
- ⊚ : PLUG CONNECTOR
- ⊜ : GROUND (CHASSIS)

WARNING
DISCONNECT FROM
ELECTRICAL SUPPLY
BEFORE SERVICING
UNIT.

MANUFACTURED UNDER ONE OR MORE
OF THE FOLLOWING UNITED STATES PATENTS:
3,727,419 4,367,578 4,682,474 4,282,882 4,787,716
3,586,409 4,404,813 4,688,391 4,212,482 4,790,716
3,872,688 4,481,785 4,690,468 4,219,253 4,600,335
3,685,198 4,555,915 4,594,553 4,741,170 4,801,131
3,960,631 4,540,432 4,706,169 4,745,686 4,805,331
4,066,275 4,646,578 4,707,401 4,745,775 4,807,086
4,087,712 4,709,556 4,765,165 4,821,526
4,072,660 4,649,718 4,745,504 4,765,696 4,833,894
4,236,489 4,649,718 4,745,504 4,765,696 4,833,894
4,227,557 4,659,157 4,745,504 4,765,696 4,833,894
4,330,510 4,665,268 4,728,759 4,776,178

OTHER PATENTS PENDING

REFRIGERATORS

Model Number ‡	Current Service Compr.	Current Installation Kit or Parts	New Compressor	Compr. Type	New Installation Kit or Parts	R-12 Charge (oz.)
3ET16ZK†W†00			4317961	P	876765&482801	7.0
6ET16ZK†W†00,-1			4317961	P	876765&482801	4.42
8ET16ZK†W†00			4317961	P	876765&482801	6.25
ET16ZM†W†00			4317961	P	876765&482801	7.0
ET18DK†W†00,-1			819194	R	876765	8.5
3ET18GK†W†00,-2			4317961	P	876765&482801	6.25
4ET18GK†W†00			4317961	P	876765&482801	6.25
6ET18GK†W†00,-2			4317961	P	876765&482801	6.25
8ET18GK†W†00			4317961	P	876765&482801	6.25
ET18GK†W†10			4317961	P	876765&482801	5.5
ET18GK†W†11			4317961	P	876765&482801	6.25
ET18HK†W†10			4317961	P	876765&482801	5.5
ET18HK†W†11			4317961	P	876765&482801	6.25
ET18HM†W†00			4317961	P	876765&482801	6.25
ET18JK†W†00,-01			4317961	P	876765&482801	6.25
ET18JM†W†00,-1			4317961	P	876765&482801	6.25
ET18NK†W†00,-1			4317961	P	876765&482801	6.25
ET18OK†W†00			4317961	P	876765&482801	6.25
ET18PK†W†00,-10,-11			819194	R	876765	8.5
ET18SKR†W†00,-1,-2			4317961	P	876765&482801	6.25
ET18ZK†W†00,-10,-11			819194	R	876765	8.5
ET20DK†W†00,-1,-3			819194	R	876765	8.25
ET20GK†W†00			4317961	P	876765	6.5
ET20GM†W†00			4317961	P	876765	6.5
ET20NK†W†00,-1			4317834	P	876765	8.25
ET20ZK†W†00			4317961	P	876765	6.5
ET22DK†W†00,-1			4317962	P	876765	6.25
ET22DM†W†00,-1	482982	876765	4317962	P	876765	6.25
ET22PK†W†00,-10			4317962	P	876765	6.25
ET25DK†W†00			4317962	P	876765	6.75
ET25DM†W†00			4317962	P	876765	6.75
TT14EKR†W†00			4317960	P	876765	5.0
TT14EKR†W†00			4317960	P	876765,482801&1101002	5.0
TT16CK†W†00			4317961	P	876765&482801	6.0
TT18CK†W†00,-1			4317961	P	876765&482801	6.25
TT18EKR†W†00,-1			4317961	P	876765	6.25
TT20BK†W†00			819194	P	876765	6.5
TS22AW†W†00			4317962	P	876765	6.25
EB22RK†X†00	482982	876765	4317962	P	876765	6.0
ED20HK†X†00			4317961	P	876765	6.5
ED20PK†X†00	482981	876765	4317961	P	876765	6.5
ED20SK†X†00			4317961	P	876765	6.5
ED20ZK†X†00			4317961	P	876765	6.5
8ED20ZK†X†00			4317961	P	876765	6.5
ED22DK†X†00			4317961	P	876765	6.5
ED22DK†X†01			4317962	P	876765	6.25
8ED22DQ†X†00			4317959	P	876765	6.5
ED22DQ†X†01			4317959	P	876765	6.5
ED22GW†X†01			4317959	P	876765	6.5
ED22RK†X†00	482981	876765	4317959	P	876765	6.5
ED22RK†X†01			4317962	P	876765	6.25
ED22RK†X†01			4317962	P	876765	6.25
ED22ZR†X†01			4317959	P	876765	6.5
ED25DQ†X†00			4317962	P	876765	6.75
8ED25DQ†X†00,-1			4317962	P	876765	6.75
ED25GW†X†00			4317962	P	876765	6.75

P = PISTON R = ROTARY † No Longer Available at LaPorte
‡ Color and Door Swing designations omitted from Model Number.
▶ Use this line if replacing COMPRESSOR. Note charge amount shown.