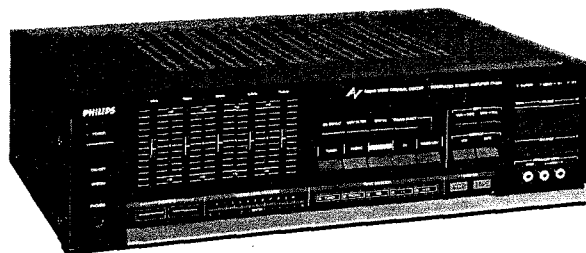


Service  
Service  
Service



# Service Manual

Table of contents	page
Specifications	2
Connections and controls	3
Schematic diagrams	4, 5, 6, 11, 12, 13, 14
Wiring diagrams	7, 8, 15, 16, 17, 18
Adjustment, standard symbol list	9
Semi conductor lay-out	10
Electrical partslist	19, 20
Exploded view	21

(GB)

Safety regulations require that the set be restored to its original condition and that parts which are identical with those specified be used.

(NL)

Veiligheidsbepalingen vereisen, dat het apparaat in zijn oorspronkelijke toestand wordt teruggebracht en dat onderdelen, identiek aan de gespecificeerde worden toegepast.

(F)

Les normes de sécurité exigent que l'appareil soit remis à l'état d'origine et que soient utilisées les pièces de rechange identiques à celles spécifiées.

(D)

Bei jeder Reparatur sind die geltenden Sicherheitsvorschriften zu beachten. Der Originalzustand des Geräts darf nicht verändert werden für Reparaturen sind Original-Ersatzteile zu verwenden.

(I)

Le norme di sicurezza esigono che l'apparecchio venga rimesso nelle condizioni originali e che siano utilizzati pezzi di ricambio identici a quelli specificati.



**SPECIFICATION**

**General**

	Nominal value	Typical value
Mains voltage	: 220V ~ (/00R) : 240V ~ (/05R)	: 220V ~ (/00R) : 240V ~ (/05R)
Mains frequency	: 50 - 60 Hz	: 50 - 60 Hz
Power consumption	: 270W max	: 270W max
Dimensions (WxHxD)	: 420 x 118 x 260 mm	: 420 x 118 x 260 mm
Weight	: 7.8 kg	: 7.8 kg

**Amplifier**

Output power	: 65W in 8Ω (IEC)	: 65W in 8Ω (IEC)
Distortion		
T.H.D.	: ≤ 0.3% at 1 kHz : ≤ 0.3% at 63 Hz-12.5 kHz } (IEC) : ≤ 0.3% at 60/7000 Hz 4:1 }	: ≤ 0.01% at 1 kHz : ≤ 0.3% at 65 Hz-12.5 kHz } (IEC) : ≤ 0.3% at 60/7000 Hz 4:1 }
Intermodulation		
Frequency characteristic		
Phono input } tone control	: From 20 Hz - 20 kHz ±1.5 dB (IEC)	: from 30 Hz - 20 kHz ±0.5 dB (IEC)
Other inputs } neutral	: from 20 Hz - 20 kHz ±2 dB	: from 20 Hz - 20 kHz ±1 dB
Frequency equalizer control	: at 50 Hz +10 dB to -10 dB ±2 dB : at 200 Hz +10 dB to -10 dB ±2 dB : at 800 Hz +10 dB to -10 dB ±2 dB : at 3.2 kHz +10 dB to -10 dB ±2 dB : at 12.8 kHz +10 dB to -10 dB ±2 dB : at 50 Hz -3 dB ±1.5 dB	: at 50 Hz +10 dB to -10 dB : at 200 Hz +10 dB to -10 dB : at 800 Hz +10 dB to -10 dB : at 3.2 kHz +10 dB to -10 dB : at 12.8 kHz +10 dB to -10 dB : at 50 Hz -3 dB

**Low filter**

Signal/noise ratio weighted (A-curve)		
Phono input	: for 65W output ≥ 77 dB (IEC)	: for 65W output ≥ 77 dB (IEC)
Other inputs	: for 65W output ≥ 93 dB (IEC)	: for 65W output ≥ 95 dB (IEC)
Channel separation	: at 1000 Hz ≥ 45 dB : at 250 Hz - 10 kHz ≥ 35 dB	: at 1000 Hz ≥ 45 dB : at 250 Hz - 10 kHz ≥ 35 dB

**Input sensitivity**

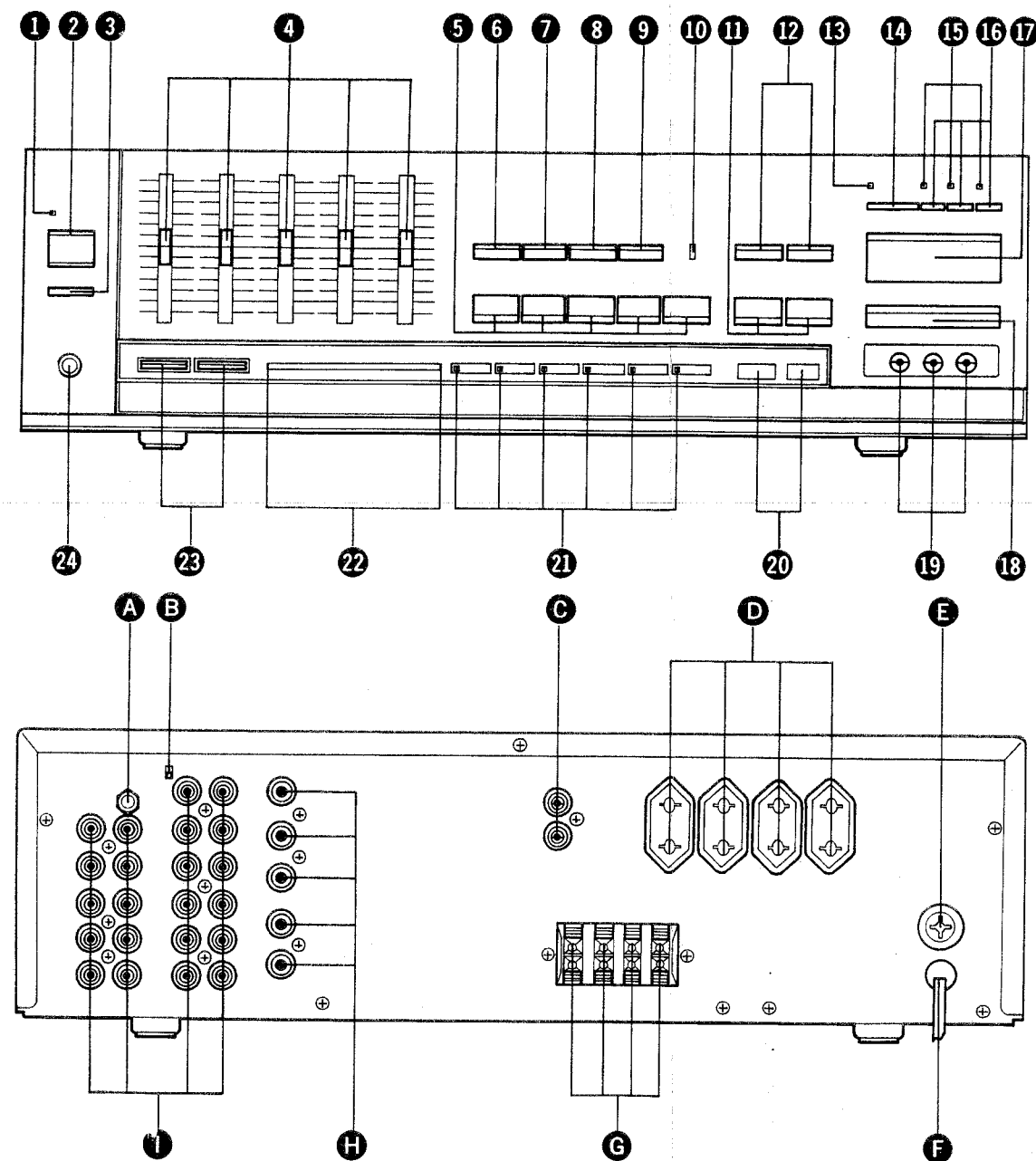
Audio		
Phono	: 2.5 mV at 47 kΩ	: 2.5 mV at 47 kΩ
Tuner/CD/Tape	: 150 mV at 25 kΩ	: 150 mV at 25 kΩ
Sound pro.	: 150 mV at 90 kΩ	: 150 mV at 90 kΩ
Other audio inputs	: 150 mV at 25 kΩ	: 150 mV at 25 kΩ
Other video inputs	: 150 mV at 25 kΩ	: 150 mV at 25 kΩ

**Video**

TV	: 1.0 Vp-p at 75Ω	: 1.0 Vp-p at 75Ω
Video	: 1.0 Vp-p at 75Ω	: 1.0 Vp-p at 75Ω
VCR	: 1.0 Vp-p at 75Ω	: 1.0 Vp-p at 75Ω

**Outputs**

Tape (Audio)	: 400 mV at 1 kΩ (Phono 7.75 mV 1 kHz input)	: 400 mV at 1 kΩ (Phono 7.75 mV 1 kHz input)
VCR/Video (Video)	: 1.0 Vp-p at 75Ω	: 1.0 Vp-p at 75Ω

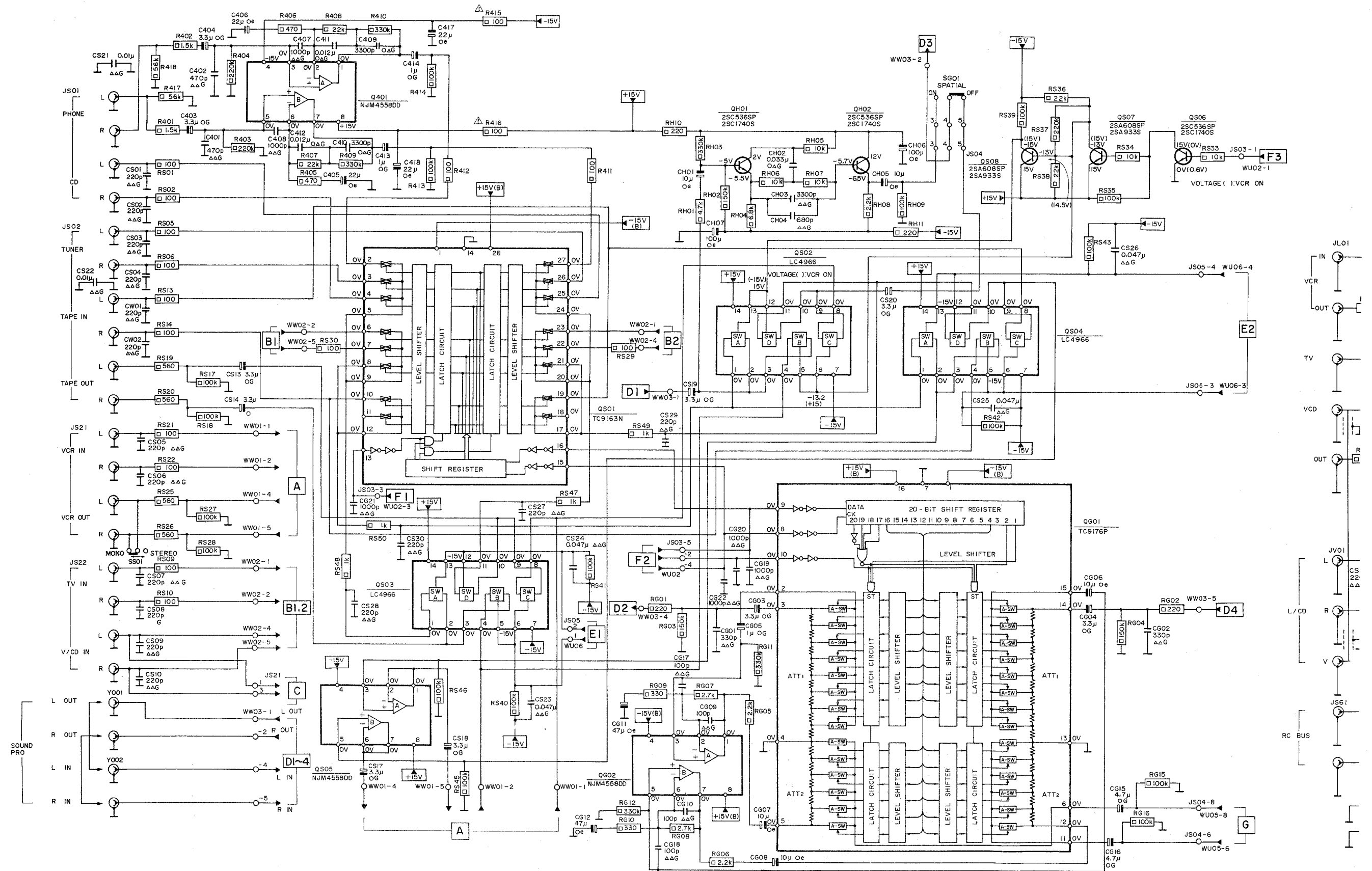


**CONNECTIONS AND CONTROLS**

1	Mains indicator	DT05	18	Balance switch	SU09, SU10
2	Mains switch	S001	19	Video/CDV input	JV01
3	System on/off switch	SU15	20	Monitor indicator	VU01, VU02
4	Equalizer control	RE10~RE14	21	Input indicator	DU10~DU14
5	Function switch	SU01~SU05	22	Volume level/balance indicator	DU23~DU33
6	EQ defeat switch	SG02	23	LS switch	SS51
7	Low filter switch	SG03	24	Headphone socket	JS51
8	Spatial switch	SG01			
9	Sound inject switch	SU17	A	Ground terminal	J031
10	Sound inject indicator	DU15	B	Mode switch	SS01
11	Monitor switch	SU06, SU16	C	Remote control bus	JS61
12	Copy switch	SU18, SU19	D	AC outlet	J021~J024
13	Muting indicator	DU37	E	Fuse holder	J001
14	Muting switch	SU14	F	Mains cord	W001
15	Memory indicator	DU34	G	LS output	J701
16	Memory switch	SU11~SU13	H	Video input/output	JL01
17	Volume switch	SU07, SU08	I	Audio input/output	JS01, JS02, JS21~JS23

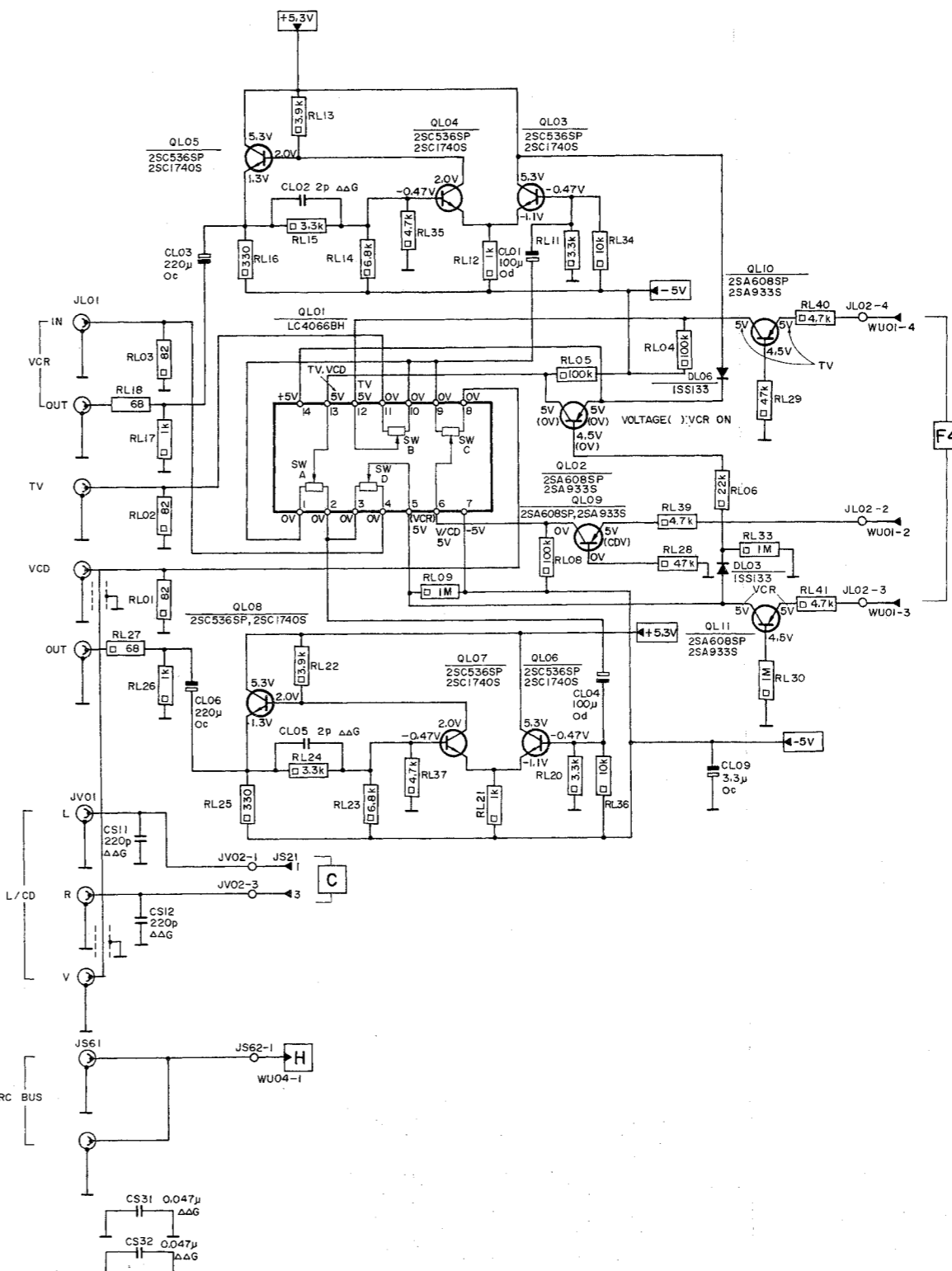
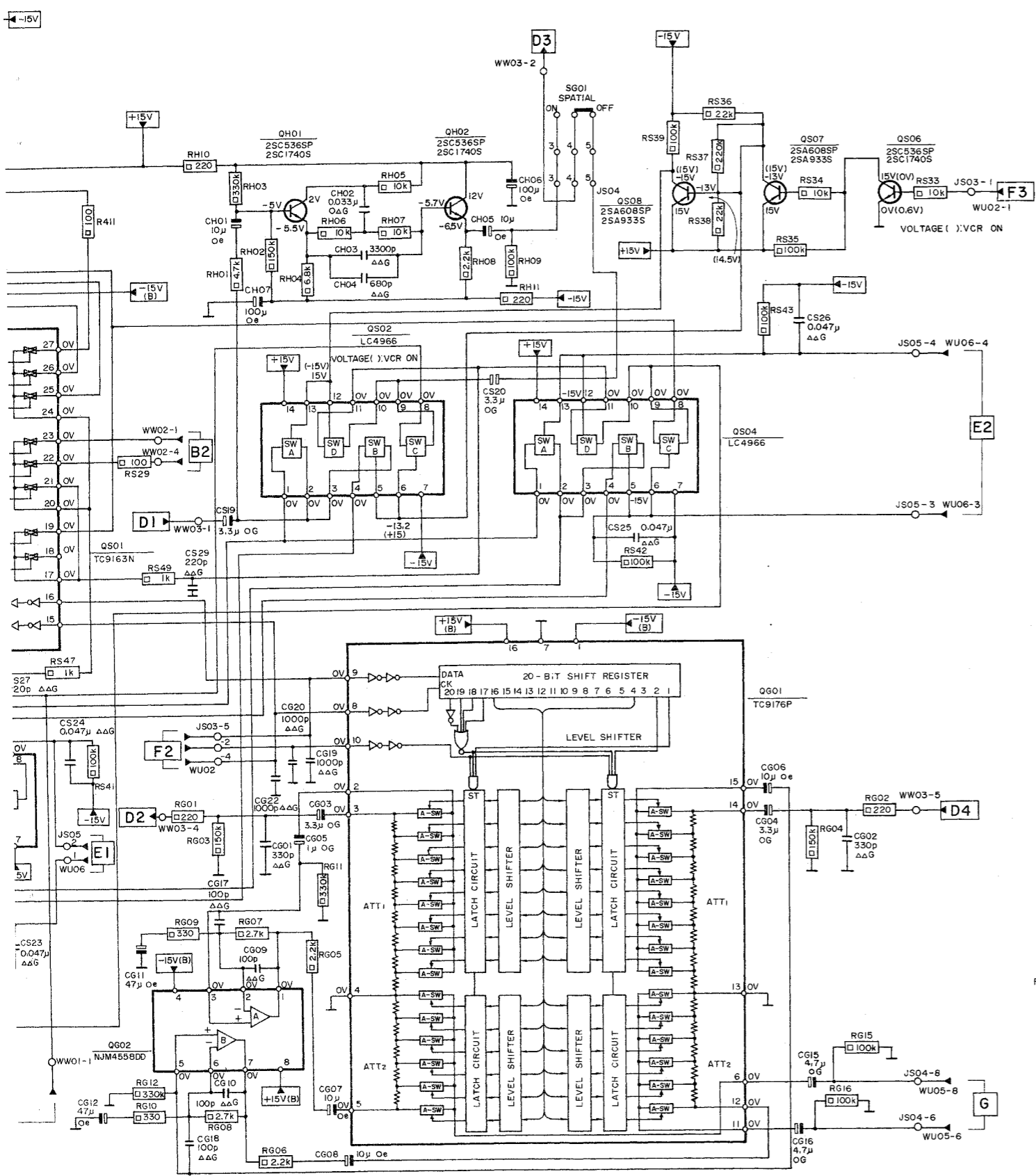
# SCHEMATIC DIAGRAM

R	R417 R418 R401 ~ R404	R405 ~ R410	R413 R414 R412 R415 R416	R411	RH10 RH01 RH03 RH02 RH04 RH05 ~ RH07	RH08 RH09 RH11	RS42 RS39 RS36 RS37 RS38 RS43 RS35 RS34	RS33
C	CS21 CS22 C401 ~ C404 C406	C405 C407 ~ C414 C417 C418	CG17 ~ CG20 CS19 CH01 CH07	CH02 ~ CH04	CS20 CH05 CH06	CS25	RG15 RG04 RG16 RG02	CS11 C
Q - D	CS01 ~ CS10 CW01 CW02 CS13 CS14	CG21 CS17 CS27 ~ CS30 CS18	CS23 CS24 CS29 CG12 CG11 CG22 CG10 CG09 CG01	CG05 CG03 CG15 CG07 CG08	CG06 CG15 CG04 CG16 CG02	CG06 CG15 CG04 CG16 CG02	CG06 CG15 CG04 CG16 CG02	CS31 C
S	SS01	Q401	QS05	QS01 QS03	QG02 QH01 QS02 QH02 QG01	Q804 QS08	QS07	QS06



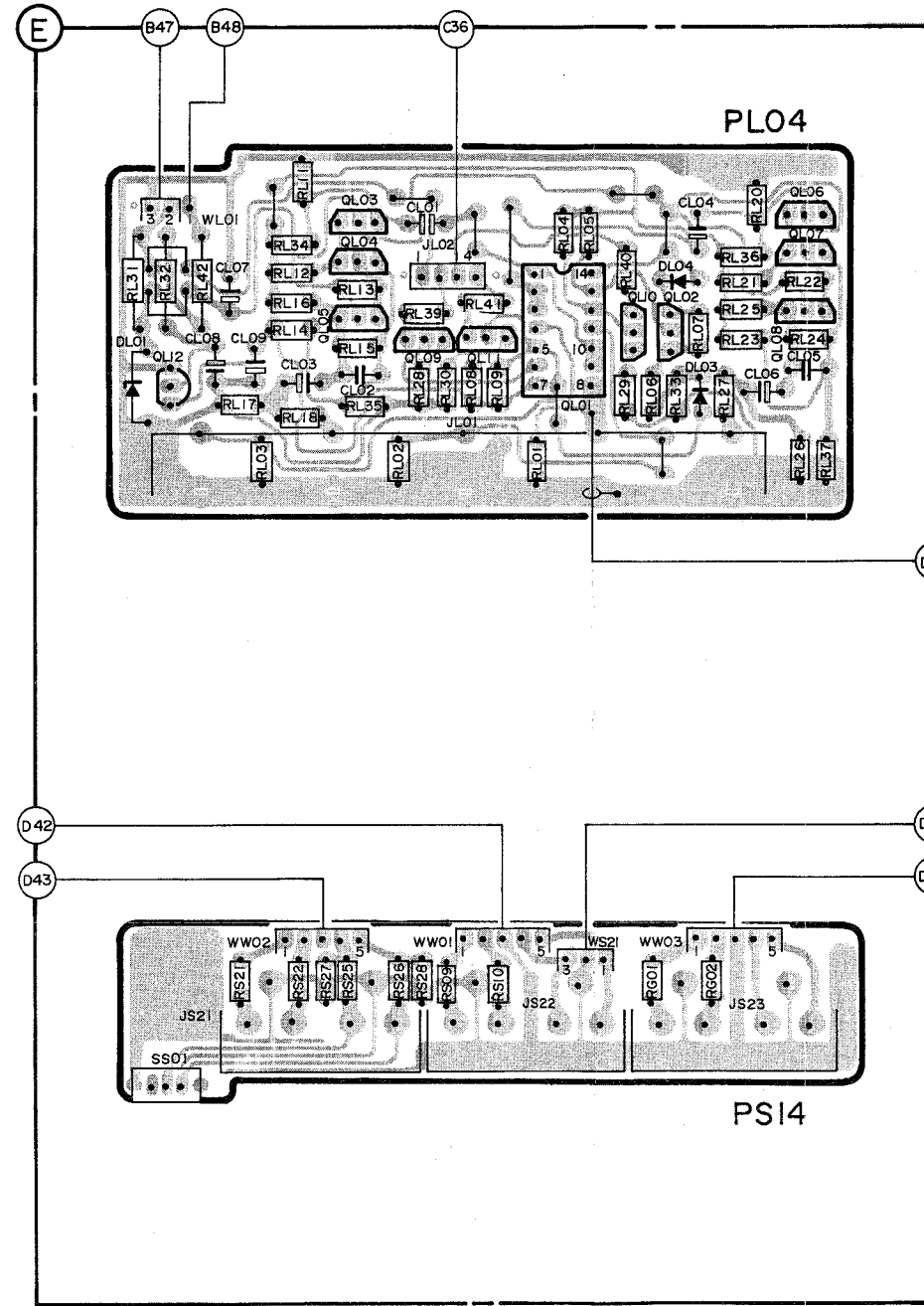
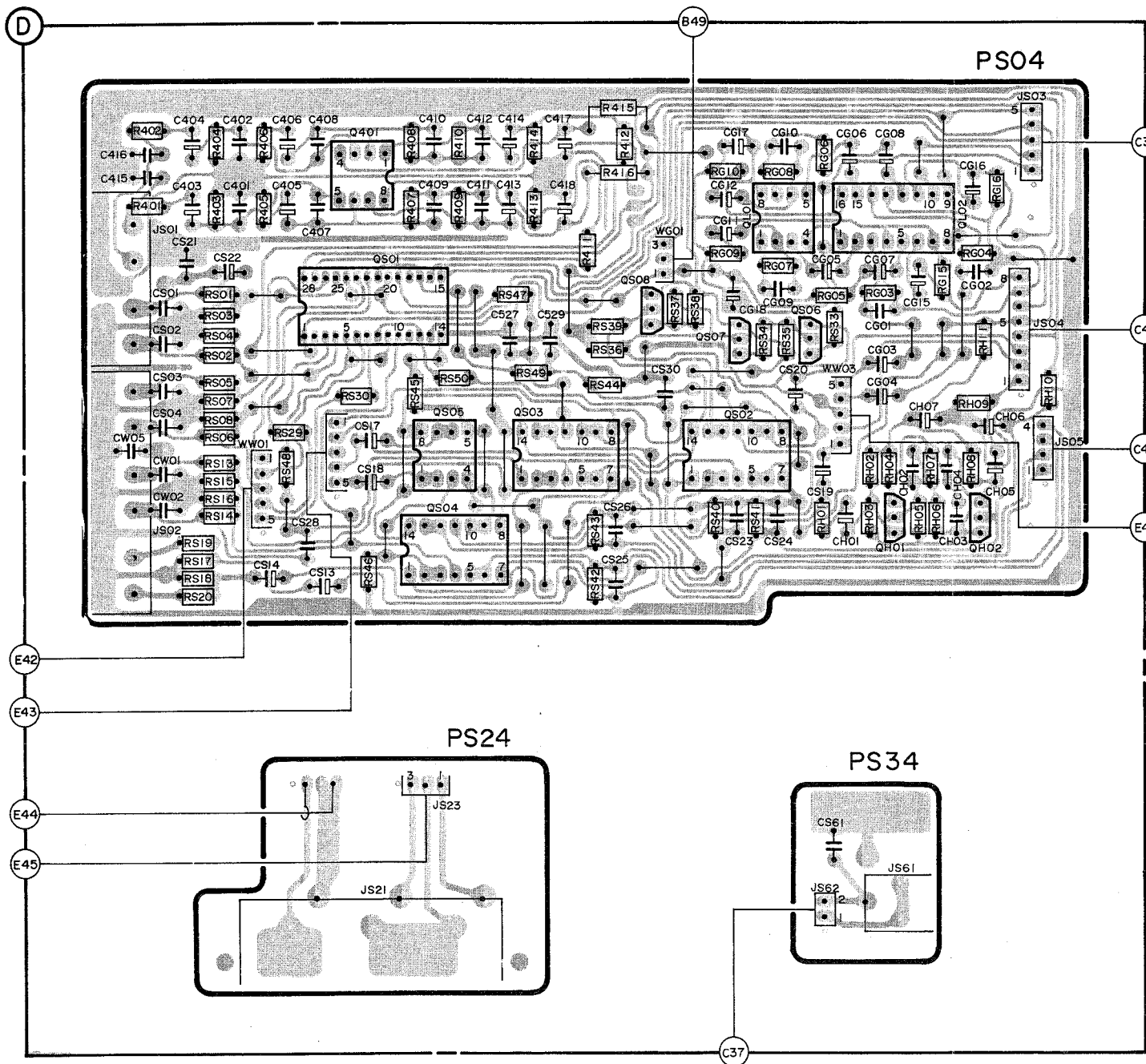
# SCHEMATIC DIAGRAM

6	R411	RH10	RHO1	RHO3	RHO2	RHO4	RHO5 ~ RHO7	RHO8	RHO9	RH11	RS42	RS39	RS36	RS37	RS38	RS43	RS35	RS34	RS33	RL17	RL18	RL27	RL01 ~ RL03	RL26	RL13 ~ RL16	RL35	RL12	RL11	RL34	RL33	RL30	RL41	RL40	R	
10	RS41	RS49	RS29	RG01	RG03	RG05 ~ RG12	CG17 ~ CG20	CS19	CHO1	CHO7	CHO2 ~ CHO4	CS20	CHO5	CHO6	CS25	CS26	CS11	CS12	CLO3	CLO2	RL25	RL09	RL22	RL24	RL23	RL37	RL08	RL21	RL20	RL36	RL39	RL28	RL04 ~ RL06	RL29	C
	CS23	CS24	CS29	CG12	CG11	CG22	CG10	CG09	CG01	CG05	CG03	CG15	CG07	CG08	CG06	CG15	CG04	CG16	CG02	CS31	CS32	CLO6	CLO5	CLO1	CLO4	CLO9	DL03	DL06	QL10	QL11	Q - D				
	QS03	QS02	QH01	QS02	QH02	QG01	QS04	QS08	QS07	QS06	QL05	QL08	QL01	QL04	QL07	QL06	QL03	QL02	QL09	DL03	DL06	QL10	QL11												S



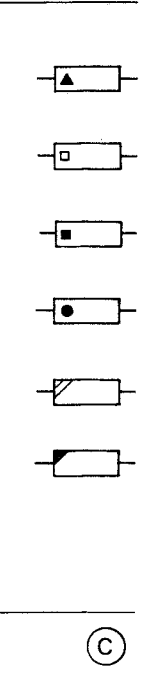
WIRING DIAGRAM

R	R401~R416	RS45 RS50 RS47 RS49	RS44 RS33~RS39	RG03~RG10	RG15 RG16	RL31 RL32 RL42 RL11~RL18 RL34	RL39 RL41 RLO8 RLO9 RLO4 RLO5 RL40 RL33 RLO7 RL33 RL20~RL27
C	CS21 CS22	C401~C418 CS17 CS18	C527 C529	CS30	CG05~CG12 CG18	CG01~CG04 CG16	CL07~CL09
D-Q	CW05 CS01~CS04 CW01 CW02 CS14 CS13 CS28	CS23~CS26	CG17 CS20	CS19	CH01~CH07 CG15	CL01~CL03	CL04~CL06
S	Q401	QS01~QS05	QS07 QS06	QH01 QH02		DL01 QL12	QL03~QL05 QL09 QL11 QL01 QL10 QL02 DL04 DL03 QL06~QL08
						SS01	



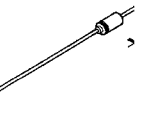
Idling Current

SK...  
SWITCH

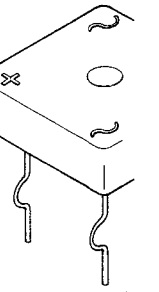


NOTE:  
Some withsta  
both numeric  
If withstand  
from that in s

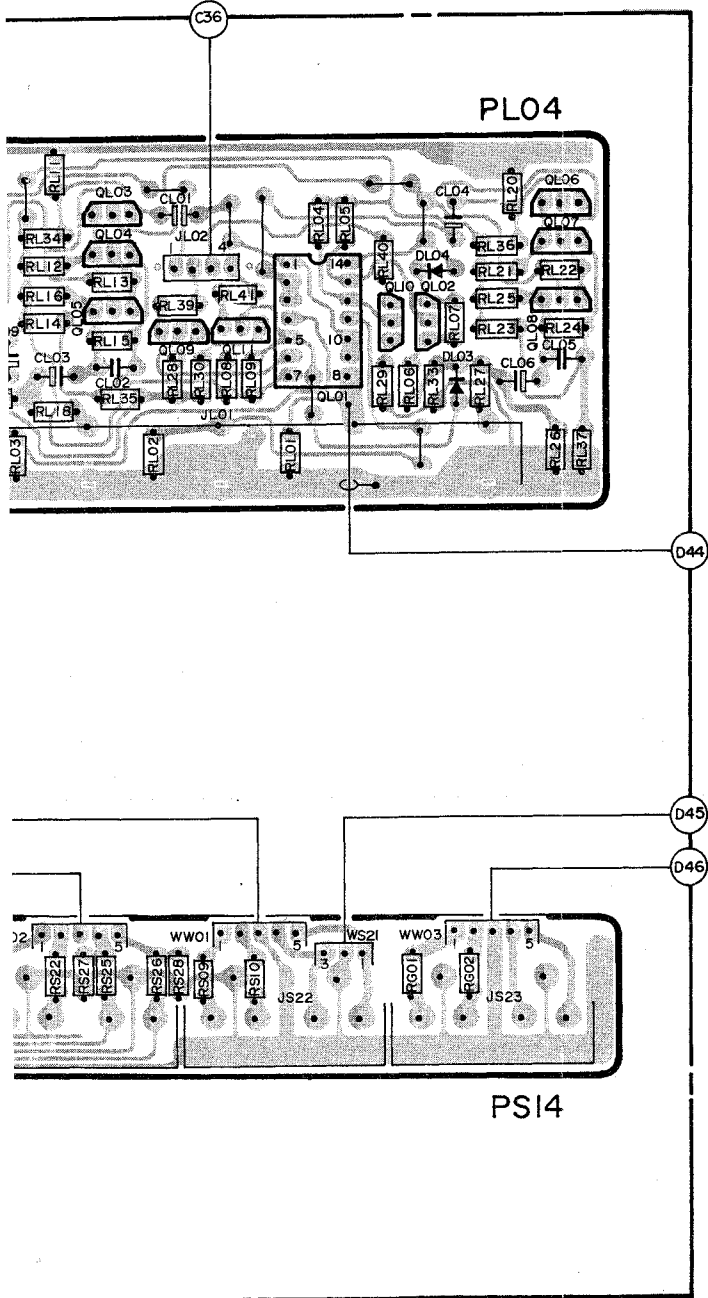
Semiconductor Layo



1SS133  
1SS176  
MA165



RL1~RL18 RL34 RL39 RL41 RL08 RL09 RL04 RL05 RL40 RL33 RL07 RL33 RL20~RL27
RL03 RL35 RL02 RS25~RS28 RS09 RS10 RL28 RL30 RL01 RL29 RL06 R601 R602 RL37
~CL09
CL01~CL03
CL04~CL06
QL03~QL05 QL09 QL11 QL01 QL10 QL02 DL04 DL03 QL06~QL08



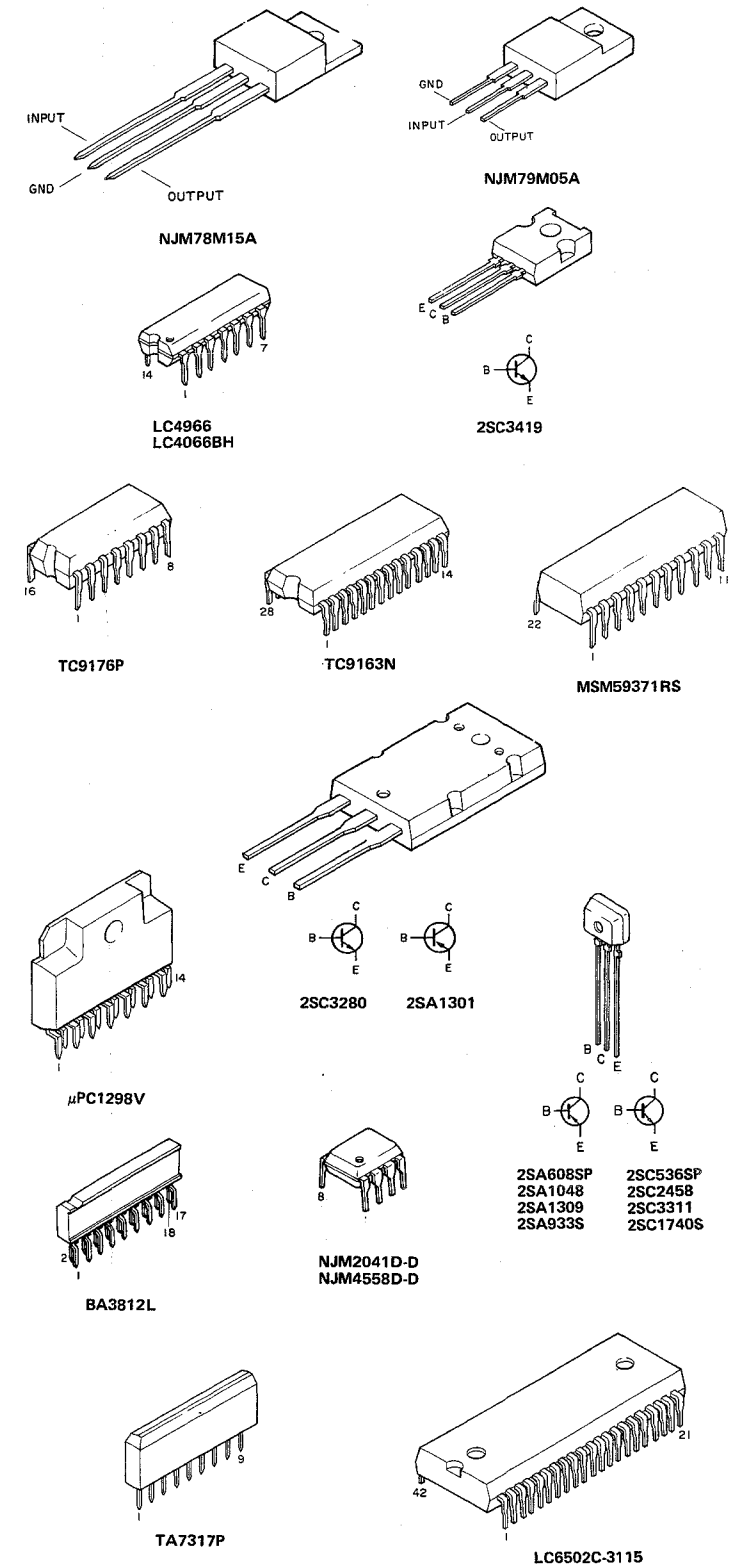
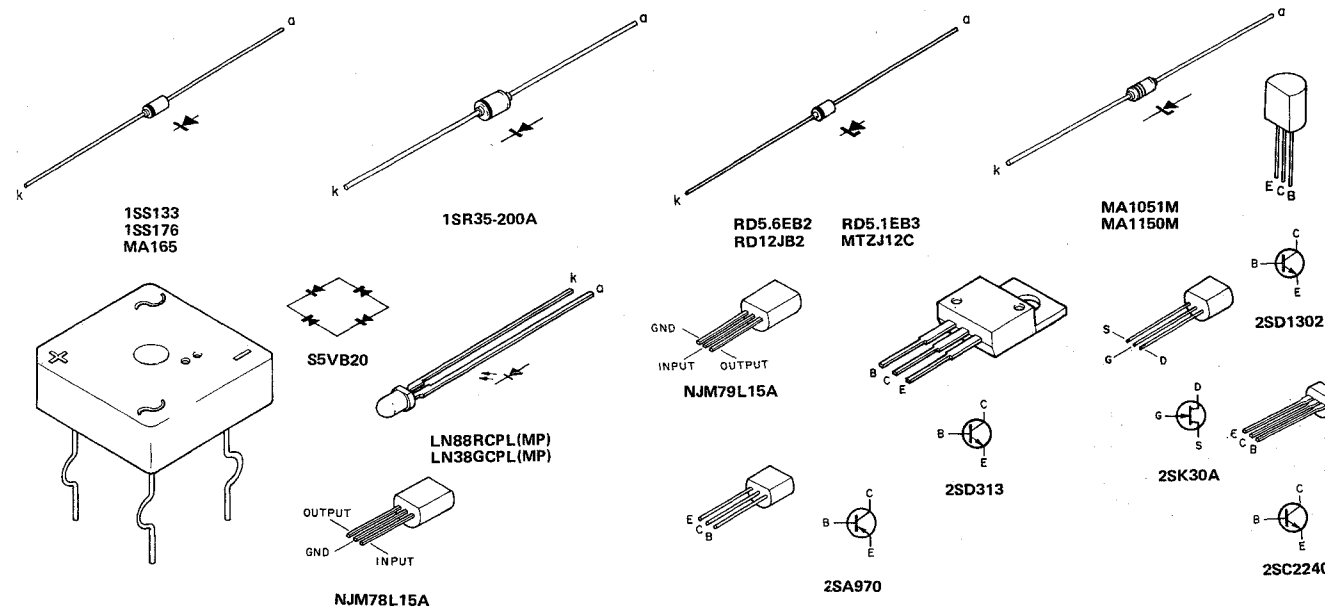
Idling Current

SK...						
SWITCH	SIGNAL	TO	VOLUME	ADJUST	OSCILLOSCOPE	D.C. METER INDICATOR
			Min.	Lch R735		Lch TP1(+), TP3(-) DC4mV (20mA)
				Rch R736		Rch TP2(+), TP4(-) DC4mV (20mA)

	Carbon film 0.125 W or 0.2 W	70°C	5%		Ceramic plate Tuning ≤ 120 pF NP.0	2%	*a = 2.5 V b = 3.15 V or 4 V c = 6.3 V d = 10 V e = 16 V f = 25 V g = 40 V h = 63 V j = 100 V i = 125 V m = 150 V n = 160 V q = 200 V r = 250 V s = 300 V t = 350 V u = 400 V v = 500 V w = 630 V x = 1000 V A = 1.6 V B = 6 V C = 12 V D = 15 V E = 20 V F = 35 V G = 50 V H = 75 V I = 80 V
	Carbon film 0.25 W or 0.33 W	70°C	5%		Others	-20/+80%	
	Metal film 0.25 W or 0.33 W	70°C	5%		Polyester flat foil	10%	
	Carbon film 0.5 W	70°C	5%		Metalized polyester flat film	10%	
	Carbon film 0.67 W	70°C	5%		Polyester flat foil small size (Mylar)	10%	
	Carbon film 1 W or 1.15 W	70°C	5%		Polysterene film/foil	1%	
	Tubular ceramic				Miniature single		
	Subminiature tantalum				Chip component	± 20%	

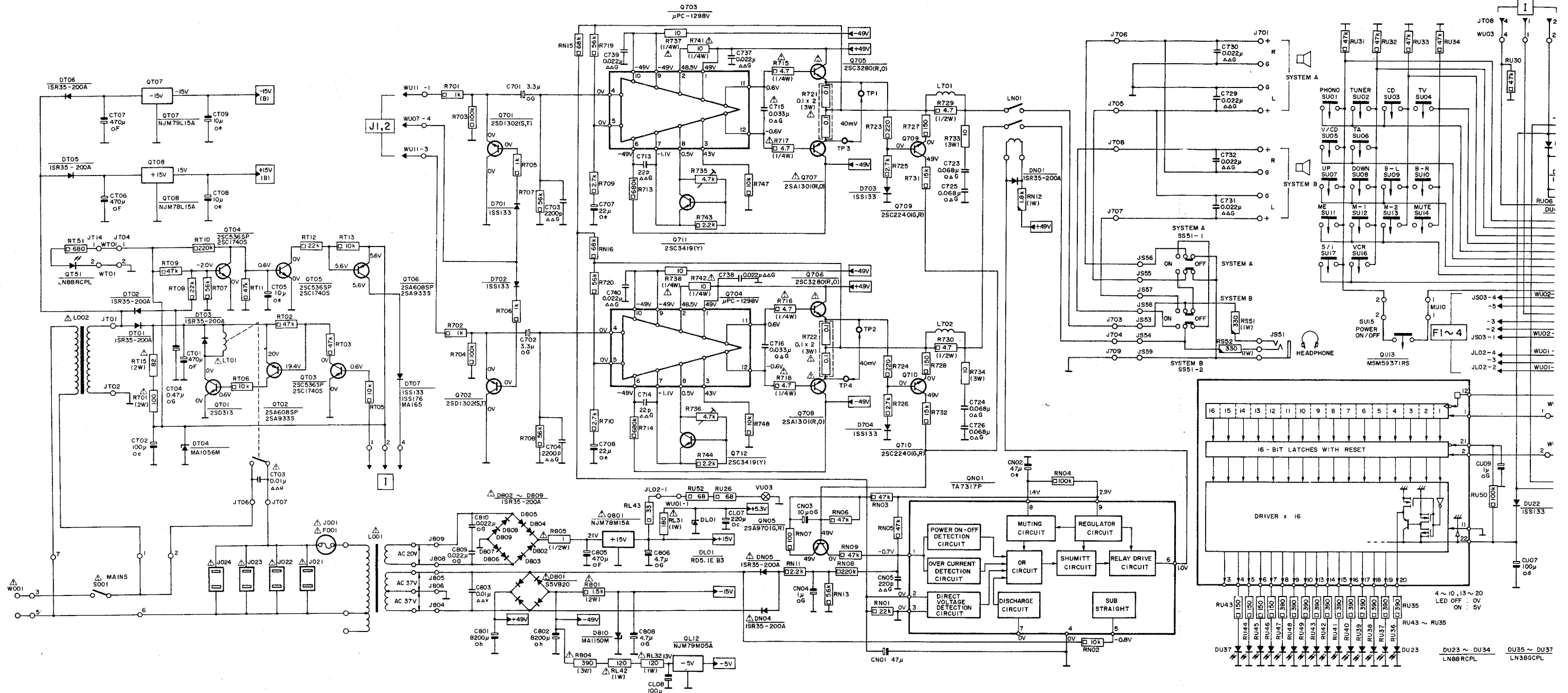
NOTE:  
Some withstand voltages of the condensers are shown in both numerical value and symbol on the circuit diagram. If withstand voltage shown in numerical value is different from that in symbol for a condenser, both are applicable.

Semiconductor Layout



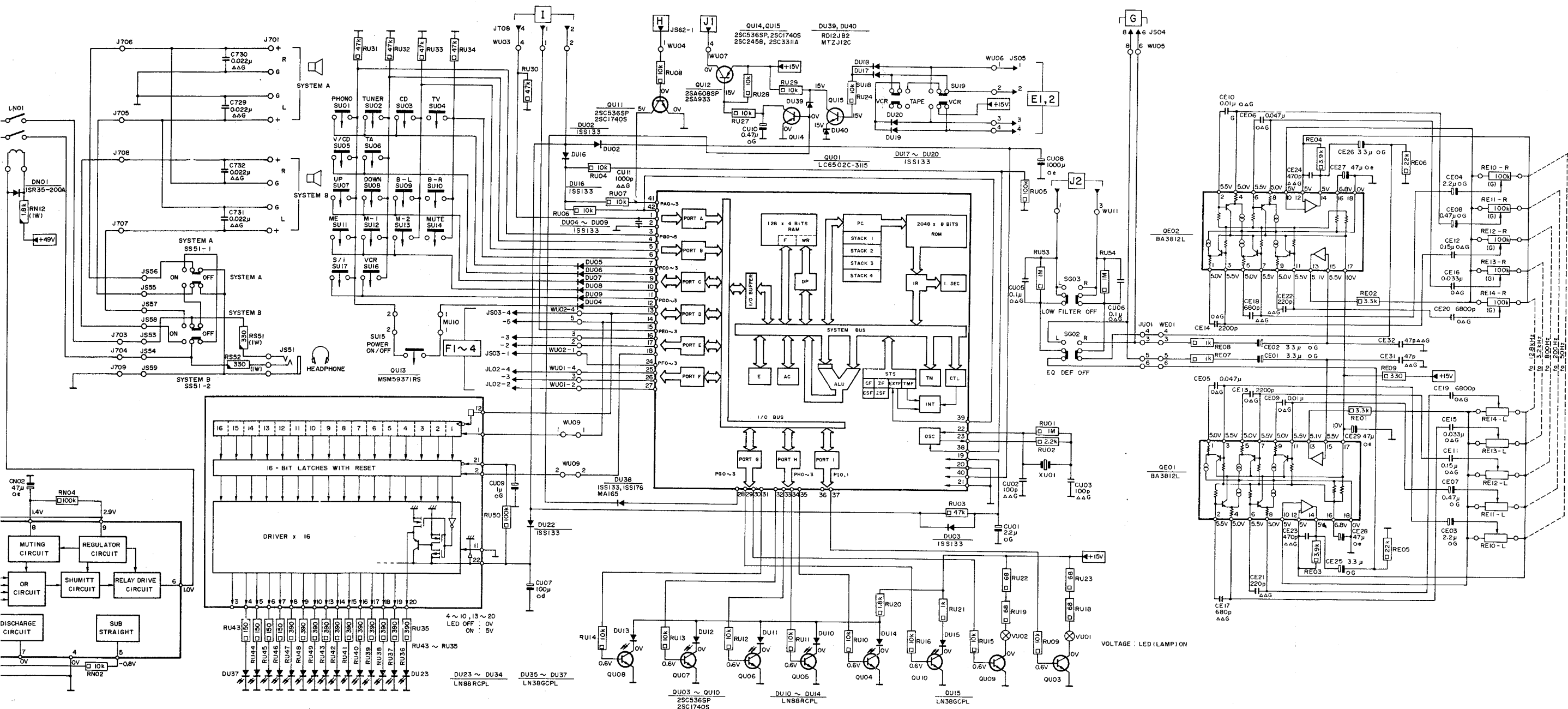
SCHMATIC DIAGRAM

R	RT51	RT09	RT08	RT10	RT07	RT11	RT02	RT12	RT13	R701	R703	R705	R707	RN15	R719	R709	RN16	R713	R737	R741	R735	R743	R747	R715	R717	R721	R723	R725	R727	R731	R729	R733	RN12	RW92	RW91	RU31	RU32	RU33	RU34	RU30	RU								
C	CT06	CT07	CT04	CT01	CT08	CT09	CT05	CT03	CT02	C701	C703	C739	C740	C707	C713	C737	C738	C715	C723	C725	C729	C732	C726	C724	C726	C716	CN03	CN04	CN01	CN05	C724	C726	CN02	CN01	DN01	QI3	DU23	DU34	DU35	DU37	DU22	DU04	CU09	CU07					
Q - D - V	DT05	DT06	DT51	DT07	DT08	DT02	DT04	DT03	DT04	DT02	DT05	DT03	DT06	DT07	DT01	DT02	DT07	DT01	DT02	DT07	DT01	DT02	DT07	DT01	DT02	DT07	DT01	DT02	DT07	DT01	DT02	DT07	DT01	DT02	DT07	DT01	DT02	DT07	DT01	DT02	DT07	DT01	DT02	DT07	DT01	DT02	DT07		
L - S - X	L002	S001								L001																																							



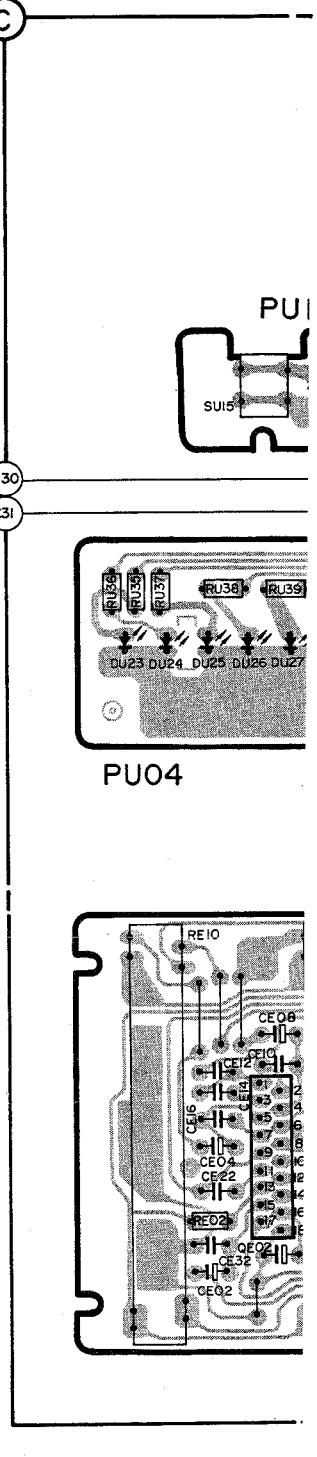
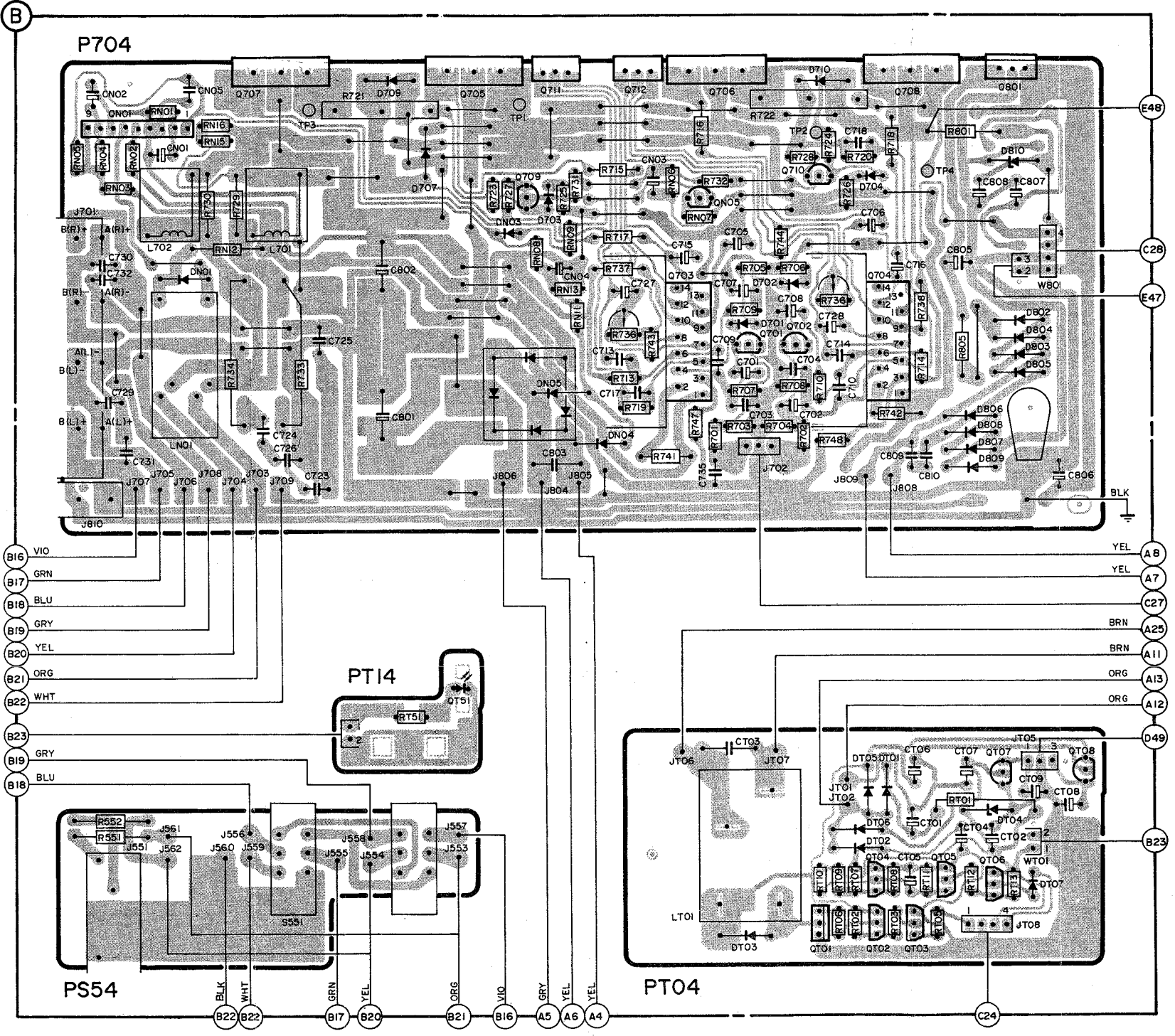
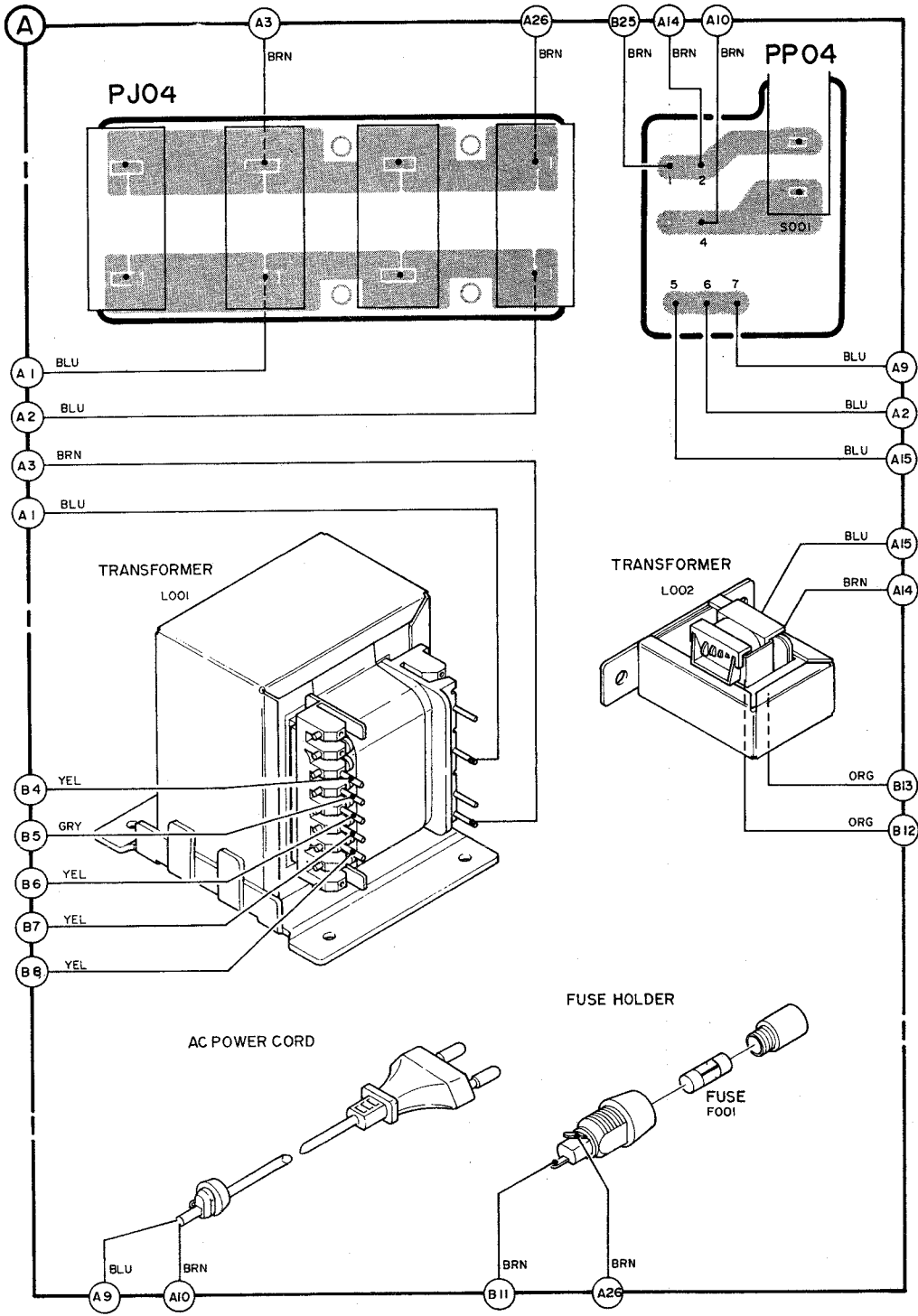
SCHEMATIC DIAGRAM

27 R731 R729 R733	RN12	RW92 RW91	RU31 RU32 RU33 RU34	RU30	RU06 RU04 RU07 RU08	RU27 RU28 RU29	RU24	RU05 RU53	RU54	RE04	RE06	RE10 ~ RE14	R					
724 R726 R728 R732 R730 R734	RN04 RN02	RU35 ~ RU43	RU50 RU51	RU14	RU13	RU12	RU11	RU10 RU20 RU16	RU21 RU15 RU19	RU03 RU09 RU18	RU01 RU02 RU22 RU23	RE07 RE08	RE03 RE02 RE01 RE09 RE05	C				
C723 C725	CN02	C729 ~ C732	CU09 CU07	DU22 DU04 ~ DU09	DU38 DU16 DU02	QU11	DU10 ~ DU14	QU12	QU03 ~ QU10	QU01 QU14 DU39 DU40	QU15 DU17 ~ DU20	CU01 CU02 CU05	CU03 CU06	CE10 CE14 CE06 CE18 CE02 CE22 CE24	CE27 CE26 CE32	CE04 CE08 CE12 CE16 CE20		
C724 C726	CN01	DN01	QU13 DU23 ~ DU34	DU35 ~ DU37	DU22 DU04 ~ DU09	DU38 DU16 DU02	QU11	DU10 ~ DU14	QU12	QU03 ~ QU10	QU01 QU14 DU39 DU40	QU15 DU17 ~ DU20	CU01 CU02 CU05	CU03 CU06	CE05 CE17 CE13 CE21 CE01 CE09 CE23	CE25 CE28 CE29 CE31	CE19 CE15 CE11 CE07 CE03	
LN01	SS51-1	SS51-2	SU01 ~ SU17											QE02 QE01			Q-D-V	
																		L-S-X



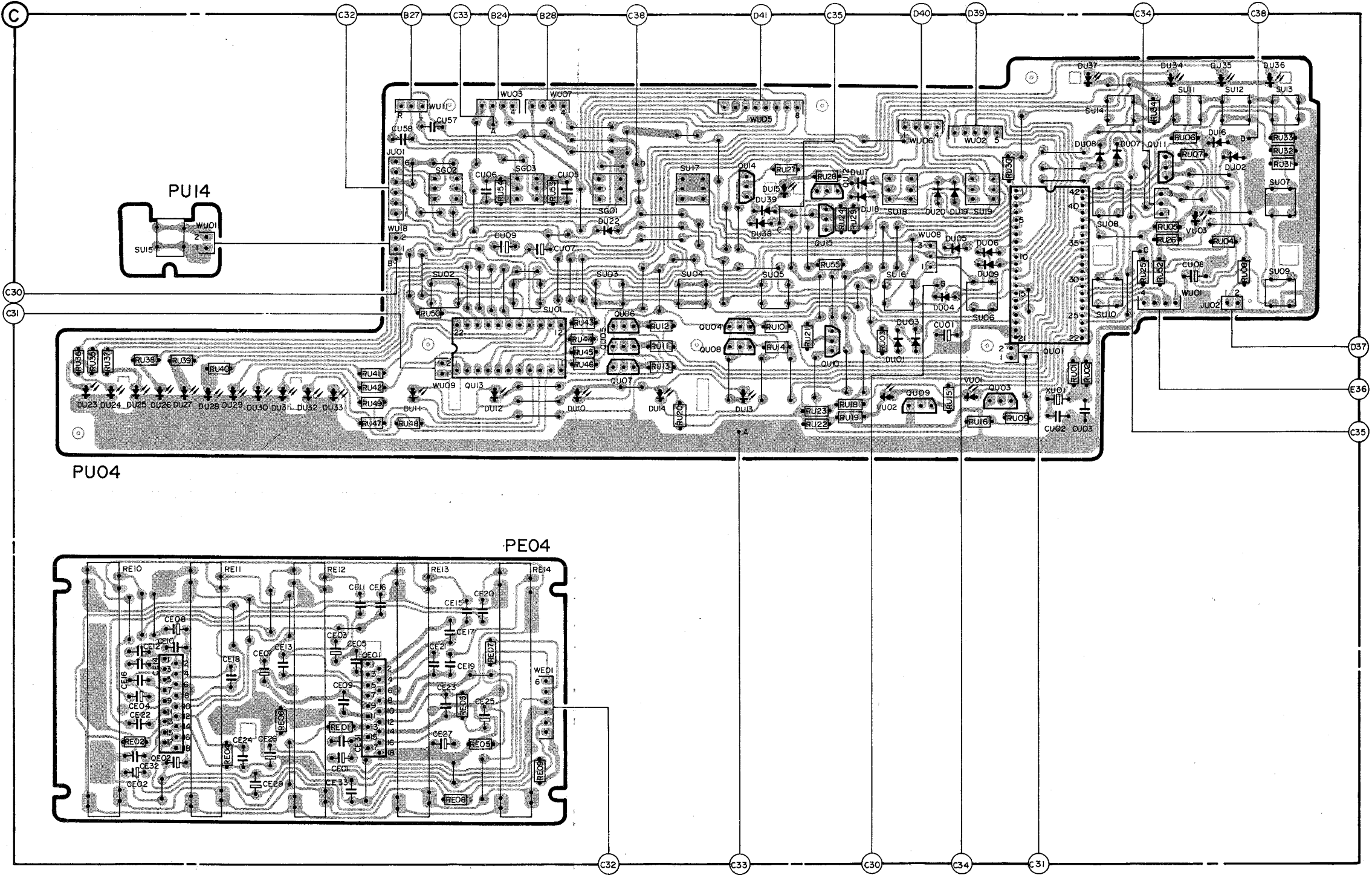
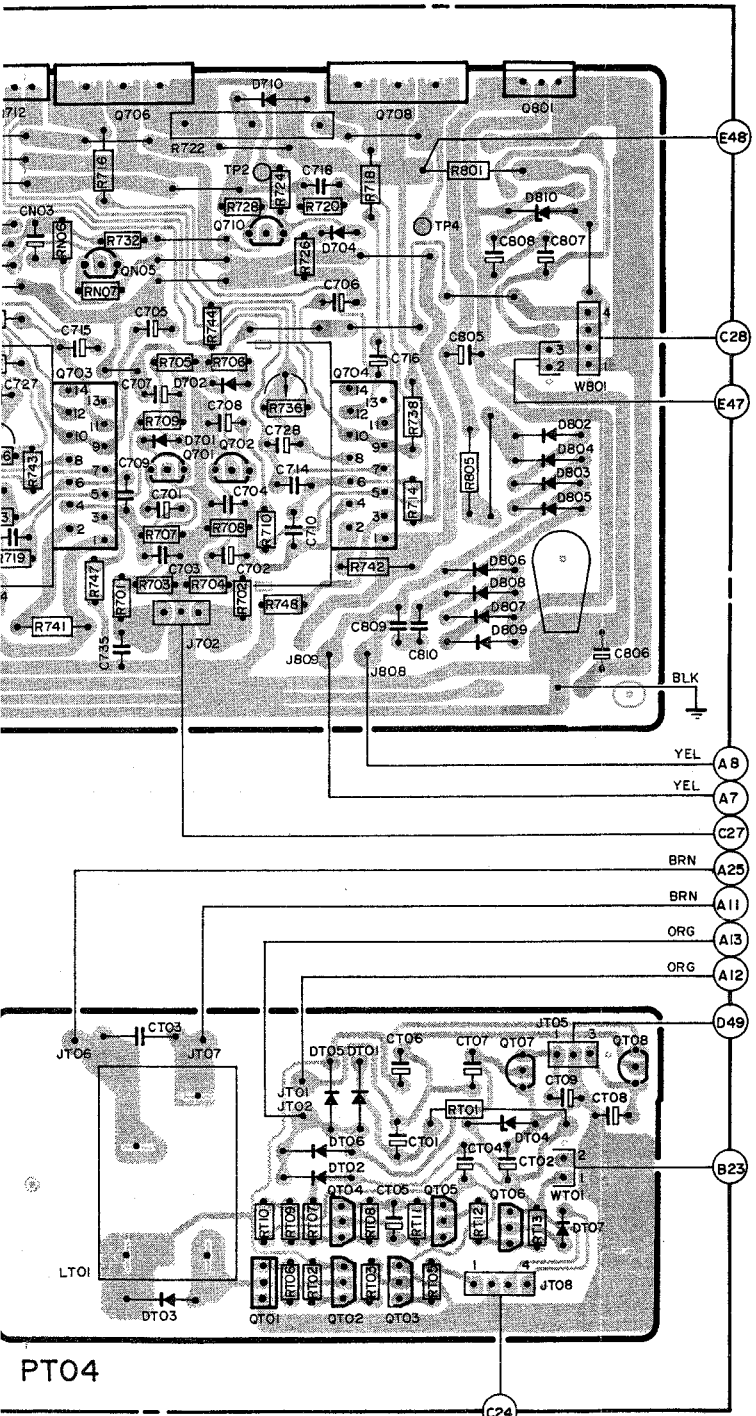


R - X		RNO1~RNO5	RN16 RN15	R721	R723 R727	R725 R731	R715~R719	RNO6 RNO7 R732 R722 R728 R724 R726 R801 R738 R714 R805	RU35~RU40
C		R552 R551	R730 RN12 R729 R734 R733	RT51		RNO8 RN13 RN11 RNO9	R737 R736 R713	R743 R741 R747 R701~R710 R736 R748 RT01~RT13	RE10~RE14 RU01~RE09
Q - D		CNO2	CNO1 CNO5	C723~C726	C802 C801	C803 CNO4	C727 CNO3	C701~C710 C714 C718 C706	CE01~CE05
L - F - S - T	L001								DU23~DU33 OE02
		ONO1	DN01	Q707	D709 D707	Q705 Q711 DN03 DN05	Q709 Q703 Q711 Q712 Q706 Q701~Q704	Q701~Q708 DT01~DT07 DT01 DT02 DT10 DT04 QT07 QT08 DB02~DB10	SU15
			L702	L701	S551		TP1	LT01 TP2	
								TP4	

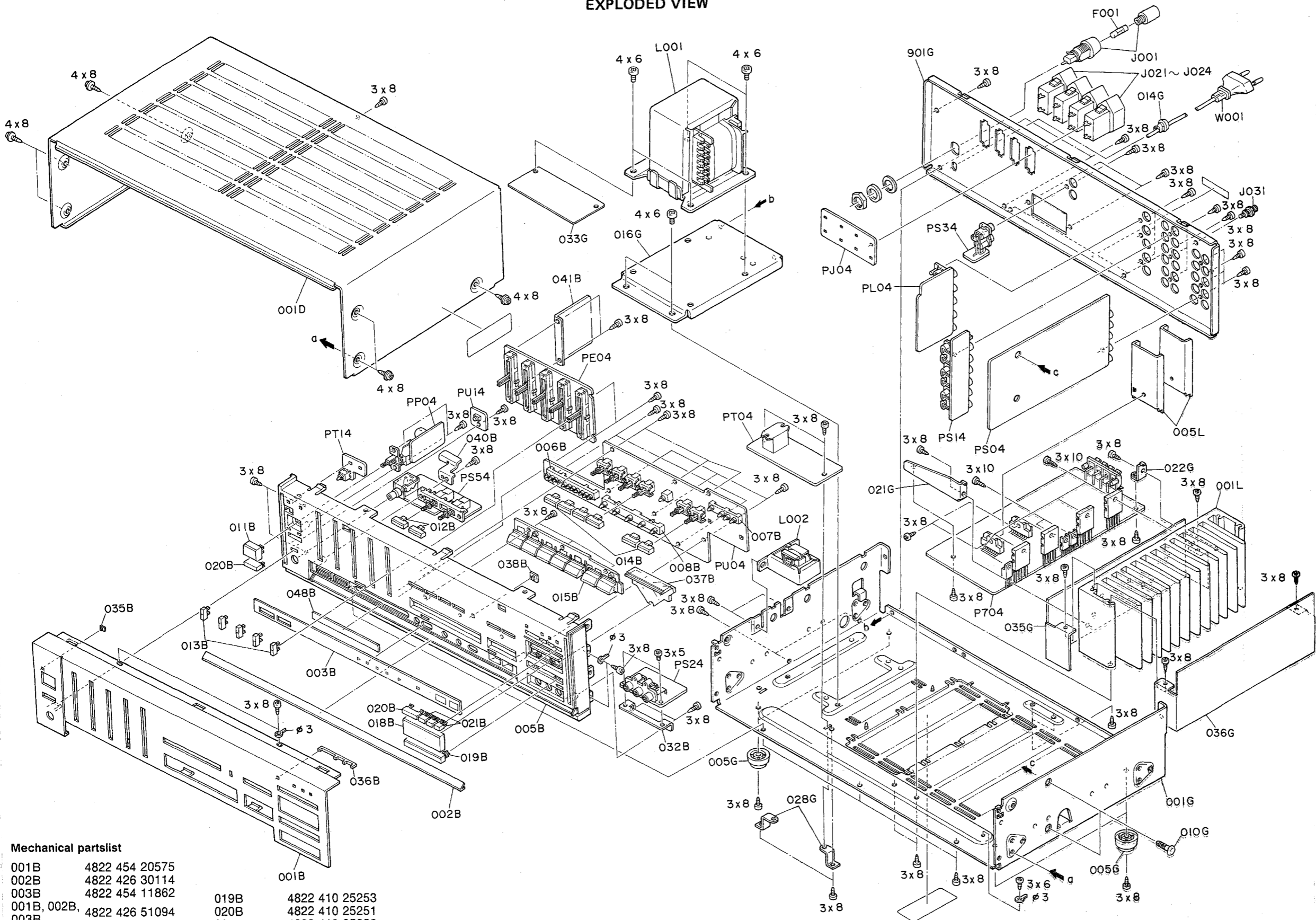


WIRING DIAGRAM

715~R719	RN06	RN07	R732	R722	R728	R724	R726	R801	R738	R714	R805	RU35~RU40	RU41	RU42	RU47~RU50	RU54	RU53	RU18~RU23	RU27~RU29	RU24	RU03	RU30	XU01	RU34	RU04~RU08	RU31~RU33																					
37	R736	R713	R743	R741	R747	R701~R710	R736	R748	RT01~RT13			RE10~RE14	RU01~RE09					RU43~RU46	RU10~RU14	RU55		RU15	RU16	RU09	RU01	RU02	RU25	RU52																			
JN03			C701~C710	C714	C718	C706						CU58	CU57	CU06	CU05										CU01~CU03																						
C717			C715	C735	C728	CT01~CT10	C716					CE01~CE05	CE07~CE27	CE29~CE33				CU09	CU07											CU08																	
J712	Q706	Q701~Q704	Q701~Q708	DT01~DT07	DT07	DT01	D702	D710	D704	Q707	Q708	D802~D810	DU23~DU33	QE02			QE01	DU10~DU14	QUI3		DU22	QU04~QU08	QUI4	QUI2	QUI5	DU15	DU39	DU38	QU10	DU17	DU18	DU01	DU03	DU20	DU19	QU09	QU03	DU04~DU06	DU31~DU37	DU08	QU01	QU07	QUI1	DU06	DU02		
			LT01	TP2		TP4							SUI5					SG01~SG03	SU01~SU06					SUI6~SUI9		VU03	VU01																		SUI1~SUI4	SU07~SU10	VU03



EXPLODED VIEW



**Mechanical partslist**

001B	4822 454 20575
002B	4822 426 30114
003B	4822 454 11862
001B, 002B,	4822 426 51094
003B	4822 256 91011
006B	4822 256 91012
007B	4822 256 91013
008B	4822 256 91014
009B	4822 410 25074
011B	4822 410 25075
012B-014B	4822 412 20973
013B	4822 410 25084
015B	4822 410 25146
018B	
019B	4822 410 25253
020B	4822 410 25251
021B	4822 410 25252
035B	4822 381 10845
036B	4822 381 10804
037B	4822 381 10805
038B	4822 381 10806
048B	4822 459 40577
002D	4822 502 12501
005G	4822 462 40971

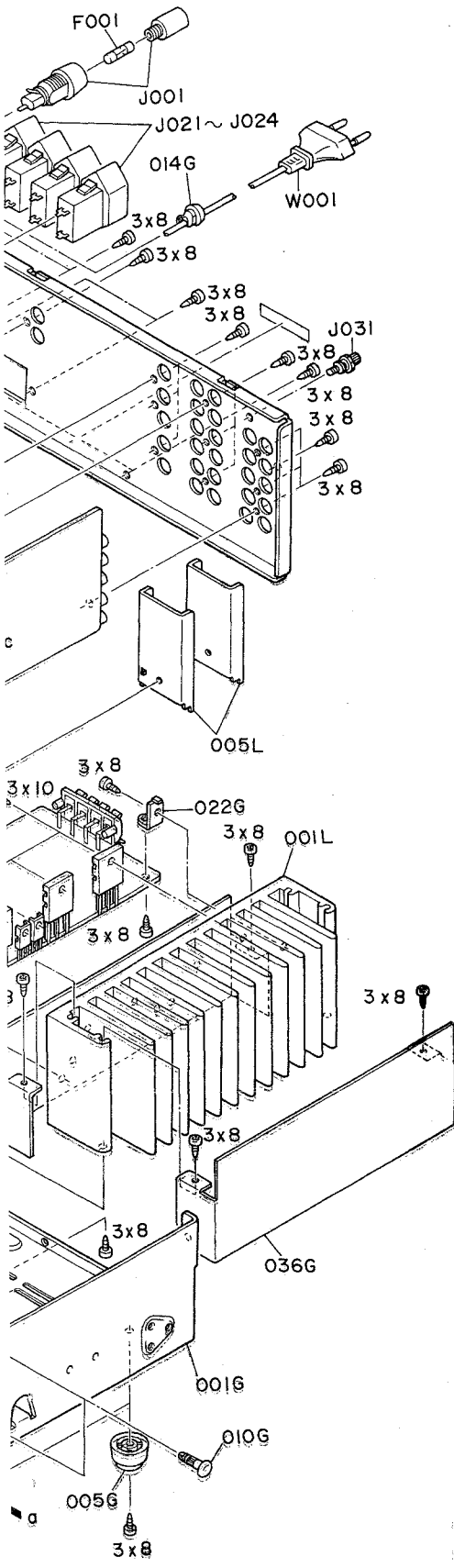
Note: only the mentioned parts are normal service parts

Electrical Partslist

**Electrical Partslist**

CE01, CE02	Elect. cap.	3.3 μF	50 V	4822 124 21982
CE25, CE26				
CE03, CE04	Elect. cap.	2.2 μF	50 V	4822 124 41243
C401				
CE27, CE28	Elect. cap.	47 μF	16 V	4822 124 41246
CL02, CL05	Cer. cap.	2 pF	50 V	4822 122 40298
CT03	Cer. cap.	10 nF	400 V	4822 122 40305
CU07	Elect. cap.	100 μF	10 V	4822 124 41242
CU08	Elect. cap.	1000 μF	16 V	4822 124 22013
CU09	Elect. cap.	1 μF	50 V	4822 124 21736
C713, C714	Cer. cap.	18 pF	50 V	4822 122 40517
C801, C802	Elect. cap.	8200 μF	63 V	4822 124 41296
C803	Cer. cap.	10 nF	500 V	4822 122 30043
RE10, RE11	Var. res.	100 k		4822 105 10841
RE12				
RL31, RE14	Res.	180 Ω	1 W	4822 116 60342
RL32, RL42	Res.	120 Ω	1 W	4822 116 60334
RT01	Res.	100 Ω	2 W	4822 116 60328
RT15	Res.	82 Ω	2 W	4822 116 60269
R721, R722	Res.	2x 0.1 Ω	3 W	4822 111 90966
R736	Var res.	4.7 k		4822 100 20524
R737, R738	Fuse res.	10 Ω	1/4 W	4822 116 60314
R741, R742				
R801	Res.	1.5 k Ω	2 W	4822 116 60339
R804	Res.	390 Ω	3 W	4822 116 60479
R805	Fuse res.	1 Ω	1/2 W	4822 116 60306
DL01	RD5.1E			4822 130 33415
DL02	MA1051M			4822 130 33383
DL03, DL04				
DT07				
DU02-DU09	ISS133			4822 130 33305
DU16-DU20				
DU22, D438				
D701-D704				
DN01, DN04				
DN05, C713	ISR 35-200A			4822 130 32816
DT02, DT03				
DT05, DT06				
DB02, DB09				
DT04	RD5.6E B2			4822 130 31623
DU10-DU14				
DU23-DU34	LN88RCPL.MP			4822 130 33761
DU37, QT51				
DU15, DU35	LN38GCPL.MP			4822 130 33752
DU36				
DU39, DU40	RD12 JB2			4822 130 80091
DB01	S 5 V B20			4822 130 30984
DB10	MA1150M			4822 130 32654
F001	Fuse T 1,6A			4822 253 30024
JL01	Jack video in/out			4822 266 30277
JS01, JS21	Jack phono/CD/tape			4822 265 30397
JS02	Jack tuner/TV			4822 265 30457
JS22, JS23	Jack TV/sound			4822 267 30493
JS51	Jack headphone			4822 267 30596
JS61	Jack remote control			4822 266 30232

Miscellaneous



Electrical Partslist

-  -				Miscellaneous																																																			
CE01, CE02 CE25, CE26 CE03, CE04 C401	Elect. cap.	3,3 μF 2,2 μF	50 V 50 V	4822 124 21982 4822 124 41243	IV01	Jack video/audio in	4822 266 30289																																																
CE27, CE28 CE29	Elect. cap.	47 μF	16 V	4822 124 41246	JO01	Fuse holder	4822 256 30233																																																
CL02, CL05 CT03	Cer. cap.	2 pF 10 nF	50 V 400 V	4822 122 40298 4822 122 40305	JO21-IO24	AC conn.	4822 267 30597																																																
CU07	Elect. cap.	100 μF	10 V	4822 124 41242	J031	Ground terminal	4822 267 40505																																																
CU08	Elect. cap.	1000 μF	16 V	4822 124 22013	J701	Speaker terminal	4822 267 50424																																																
CU09	Elect. cap.	1 μF	50 V	4822 124 21736	LN01	Relay output	4822 280 20193																																																
C713, C714	Cer. cap.	18 pF	50 V	4822 122 40517	LT01	Relay mains conn.	4822 280 70219																																																
C801, C802 C803	Elect. cap. Cer. cap.	8200 μF 10 nF	63 V 500 V	4822 124 41296 4822 122 30043	L001	Mains transformer	4822 146 21181																																																
-□-□-				<table border="1"> <tr> <td>QE01, QE02</td> <td>BA3812L equal.</td> <td>4822 209 83338</td> </tr> <tr> <td>OG01</td> <td>TC9176P</td> <td>4822 209 83785</td> </tr> <tr> <td>OG02</td> <td>NJM4558D-D</td> <td>4822 209 83631</td> </tr> <tr> <td>QL01</td> <td>LC4066BH</td> <td>4822 209 81801</td> </tr> <tr> <td>QL12</td> <td>NJM79L05</td> <td>4822 209 71041</td> </tr> <tr> <td>QN01</td> <td>TA7317P</td> <td>4822 209 83312</td> </tr> <tr> <td>QS01</td> <td>TC9163N</td> <td>4822 209 83784</td> </tr> <tr> <td>QS02-QS04</td> <td>LC4966</td> <td>4822 209 83804</td> </tr> <tr> <td>QS05</td> <td>NJM4558DD</td> <td>4822 209 83631</td> </tr> <tr> <td>QT07</td> <td>NJM79L15L</td> <td>4822 209 71039</td> </tr> <tr> <td>QT08</td> <td>NJM78L15A</td> <td>4822 209 71038</td> </tr> <tr> <td>QU01</td> <td>LM6502C-3115</td> <td>4822 209 70383</td> </tr> <tr> <td>QU13</td> <td>MSM59371RS</td> <td>4822 209 83594</td> </tr> <tr> <td>Q401</td> <td>NJM2041DD</td> <td>4822 209 81565</td> </tr> <tr> <td>Q703, Q704</td> <td>UPC-1298V</td> <td>4822 209 70382</td> </tr> <tr> <td>Q801</td> <td>NJM78M15A</td> <td>4822 209 82829</td> </tr> </table>				QE01, QE02	BA3812L equal.	4822 209 83338	OG01	TC9176P	4822 209 83785	OG02	NJM4558D-D	4822 209 83631	QL01	LC4066BH	4822 209 81801	QL12	NJM79L05	4822 209 71041	QN01	TA7317P	4822 209 83312	QS01	TC9163N	4822 209 83784	QS02-QS04	LC4966	4822 209 83804	QS05	NJM4558DD	4822 209 83631	QT07	NJM79L15L	4822 209 71039	QT08	NJM78L15A	4822 209 71038	QU01	LM6502C-3115	4822 209 70383	QU13	MSM59371RS	4822 209 83594	Q401	NJM2041DD	4822 209 81565	Q703, Q704	UPC-1298V	4822 209 70382	Q801	NJM78M15A	4822 209 82829
QE01, QE02	BA3812L equal.	4822 209 83338																																																					
OG01	TC9176P	4822 209 83785																																																					
OG02	NJM4558D-D	4822 209 83631																																																					
QL01	LC4066BH	4822 209 81801																																																					
QL12	NJM79L05	4822 209 71041																																																					
QN01	TA7317P	4822 209 83312																																																					
QS01	TC9163N	4822 209 83784																																																					
QS02-QS04	LC4966	4822 209 83804																																																					
QS05	NJM4558DD	4822 209 83631																																																					
QT07	NJM79L15L	4822 209 71039																																																					
QT08	NJM78L15A	4822 209 71038																																																					
QU01	LM6502C-3115	4822 209 70383																																																					
QU13	MSM59371RS	4822 209 83594																																																					
Q401	NJM2041DD	4822 209 81565																																																					
Q703, Q704	UPC-1298V	4822 209 70382																																																					
Q801	NJM78M15A	4822 209 82829																																																					
RE10, RE11 RE12 RE13, RE14	Var. res.	100 k		4822 105 10841																																																			
RL31	Res.	180 Ω	1 W	4822 116 60342																																																			
RL32, RL42	Res.	120 Ω	1 W	4822 116 60334																																																			
RT01	Res.	100 Ω	2 W	4822 116 60328																																																			
RT15	Res.	82 Ω	2 W	4822 116 60269																																																			
R721, R722	Res.	2x 0,1 Ω	3 W	4822 111 90966																																																			
R736	Var res.	4,7 k		4822 100 20524																																																			
R737, R738 R741, R742	Fuse res.	10 Ω	1/4 W	4822 116 60314																																																			
R801	Res.	1,5 k Ω	2 W	4822 116 60339																																																			
R804	Res.	390 Ω	3 W	4822 116 60479																																																			
R805	Fuse res.	1 Ω	1/2 W	4822 116 60306																																																			
-  -  -				<table border="1"> <tr> <td>DL01</td> <td>RD5.1E</td> <td>4822 130 33415</td> </tr> <tr> <td>DL02</td> <td>MA1051M</td> <td>4822 130 33383</td> </tr> <tr> <td>DL03, DL04 DT07</td> <td></td> <td></td> </tr> <tr> <td>DU02-DU09 DU16-DU20 DU22, D438 D701-D704</td> <td>ISS133</td> <td>4822 130 33305</td> </tr> <tr> <td>DN01, DN04 DN05, C713 DT02, DT03 DT05, DT06 D802, D809</td> <td>ISR 35-200A</td> <td>4822 130 32816</td> </tr> <tr> <td>DT04</td> <td>RD5.6E B2</td> <td>4822 130 31623</td> </tr> <tr> <td>DU10-DU14 DU23-DU34 DU37, QT51</td> <td>LN88RCPL.MP</td> <td>4822 130 33761</td> </tr> <tr> <td>DU15, DU35 DU36</td> <td>LN38GCPL.MP</td> <td>4822 130 33752</td> </tr> <tr> <td>DU39, DU40</td> <td>RD12 JB2</td> <td>4822 130 80091</td> </tr> <tr> <td>D801</td> <td>S 5 V B20</td> <td>4822 130 30984</td> </tr> <tr> <td>D810</td> <td>MA1150M</td> <td>4822 130 32654</td> </tr> </table>				DL01	RD5.1E	4822 130 33415	DL02	MA1051M	4822 130 33383	DL03, DL04 DT07			DU02-DU09 DU16-DU20 DU22, D438 D701-D704	ISS133	4822 130 33305	DN01, DN04 DN05, C713 DT02, DT03 DT05, DT06 D802, D809	ISR 35-200A	4822 130 32816	DT04	RD5.6E B2	4822 130 31623	DU10-DU14 DU23-DU34 DU37, QT51	LN88RCPL.MP	4822 130 33761	DU15, DU35 DU36	LN38GCPL.MP	4822 130 33752	DU39, DU40	RD12 JB2	4822 130 80091	D801	S 5 V B20	4822 130 30984	D810	MA1150M	4822 130 32654															
DL01	RD5.1E	4822 130 33415																																																					
DL02	MA1051M	4822 130 33383																																																					
DL03, DL04 DT07																																																							
DU02-DU09 DU16-DU20 DU22, D438 D701-D704	ISS133	4822 130 33305																																																					
DN01, DN04 DN05, C713 DT02, DT03 DT05, DT06 D802, D809	ISR 35-200A	4822 130 32816																																																					
DT04	RD5.6E B2	4822 130 31623																																																					
DU10-DU14 DU23-DU34 DU37, QT51	LN88RCPL.MP	4822 130 33761																																																					
DU15, DU35 DU36	LN38GCPL.MP	4822 130 33752																																																					
DU39, DU40	RD12 JB2	4822 130 80091																																																					
D801	S 5 V B20	4822 130 30984																																																					
D810	MA1150M	4822 130 32654																																																					
Miscellaneous				<table border="1"> <tr> <td>SG01-SG03</td> <td></td> <td>4822 276 11892</td> </tr> <tr> <td>SP01</td> <td></td> <td>4822 276 11891</td> </tr> <tr> <td>SS01</td> <td></td> <td>4822 277 30866</td> </tr> <tr> <td>SS51</td> <td></td> <td>4822 276 20424</td> </tr> <tr> <td>SU01-SU06 SU16-SU17</td> <td></td> <td>4822 276 11559</td> </tr> <tr> <td>SU07-SU14</td> <td></td> <td>4822 276 11657</td> </tr> <tr> <td>SU17</td> <td></td> <td>4822 276 11945</td> </tr> <tr> <td>S001</td> <td></td> <td>4822 276 11898</td> </tr> </table>				SG01-SG03		4822 276 11892	SP01		4822 276 11891	SS01		4822 277 30866	SS51		4822 276 20424	SU01-SU06 SU16-SU17		4822 276 11559	SU07-SU14		4822 276 11657	SU17		4822 276 11945	S001		4822 276 11898																								
SG01-SG03		4822 276 11892																																																					
SP01		4822 276 11891																																																					
SS01		4822 277 30866																																																					
SS51		4822 276 20424																																																					
SU01-SU06 SU16-SU17		4822 276 11559																																																					
SU07-SU14		4822 276 11657																																																					
SU17		4822 276 11945																																																					
S001		4822 276 11898																																																					