

# **ROPER**

**ROPER CONSUMER SERVICES**

**AUSTRALASIA**

**PARTS LIST**

**TOP LOAD  
WASHING MACHINE**

**Model 6RAB5132EW0**

**CONTENTS**

	Page
LITERATURE AND OPTIONAL PARTS NOT INCLUDED	3
TOP AND CABINET PARTS	4 - 5
CONTROLS AND REAR PANEL PARTS	6 - 7
AGITATOR, BASKET AND TUB PARTS	8 - 9
BRAKE, CLUTCH, GEARCASE, MOTOR AND PUMP PARTS	10 - 11
MACHINE BASE PARTS	12 - 13
WIRING HARNESS PARTS	14 - 15
BRAKE AND DRIVE TUBE PARTS	16 - 17
GEARCASE PARTS	18 - 19
WATER SYSTEM PARTS	20
MISCELLANEOUS PARTS	21
TIMER CHART	22
CIRCUIT AND WIRING DIAGRAM	23

**LITERATURE AND OPTIONAL PARTS NOT INCLUDED**

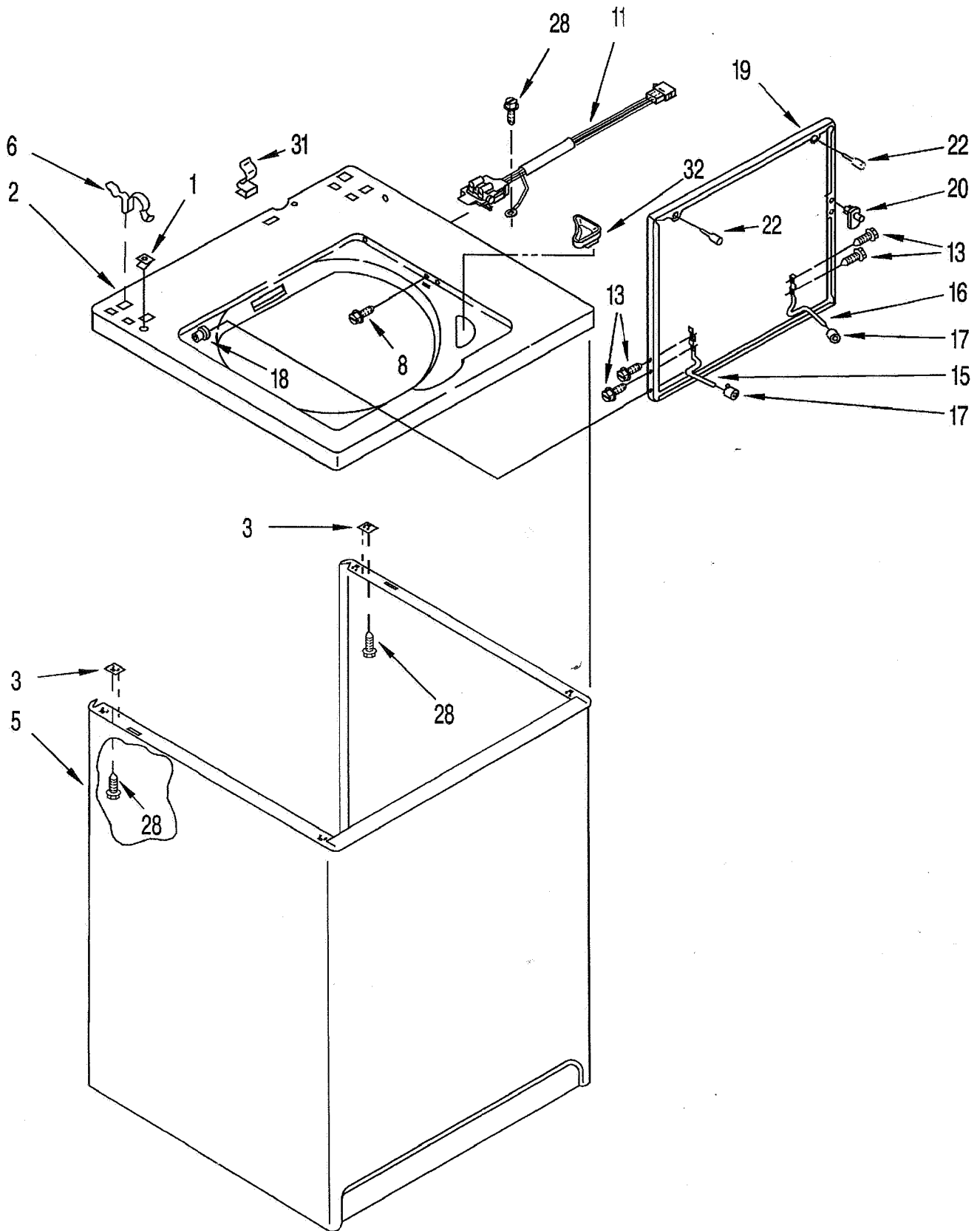
**LITERATURE PARTS**

<b>Part No</b>	<b>Description</b>
LIT3948875	Sheet, Installation Instructions
LIT3951062	Guide, Use And Care
LIT3951659	Energy Guide
LIT3947642	Label, Wiring Diagram

**OPTIONAL PARTS NOT INCLUDED**

<b>Part No</b>	<b>Description</b>
72017	Paint, Touch-up (1/2 Oz.)
350938	Paint, Grey Primer, Pressurised Spray (13 Oz.)
350930	Paint, White, Pressurised Spray (13 Oz.)
799344	Paint, White Uncut, 1.14 litres
350572	Oil, Gearcase (16 Oz.)
285208	Lubricant, (Use only on brake shoe assy. roller and pin)
285195	Sealer, gasket (gearcase cover) 6ml
89121	Standpipe Kit
367031	Drain Protector
28320	Siphon Break Kit

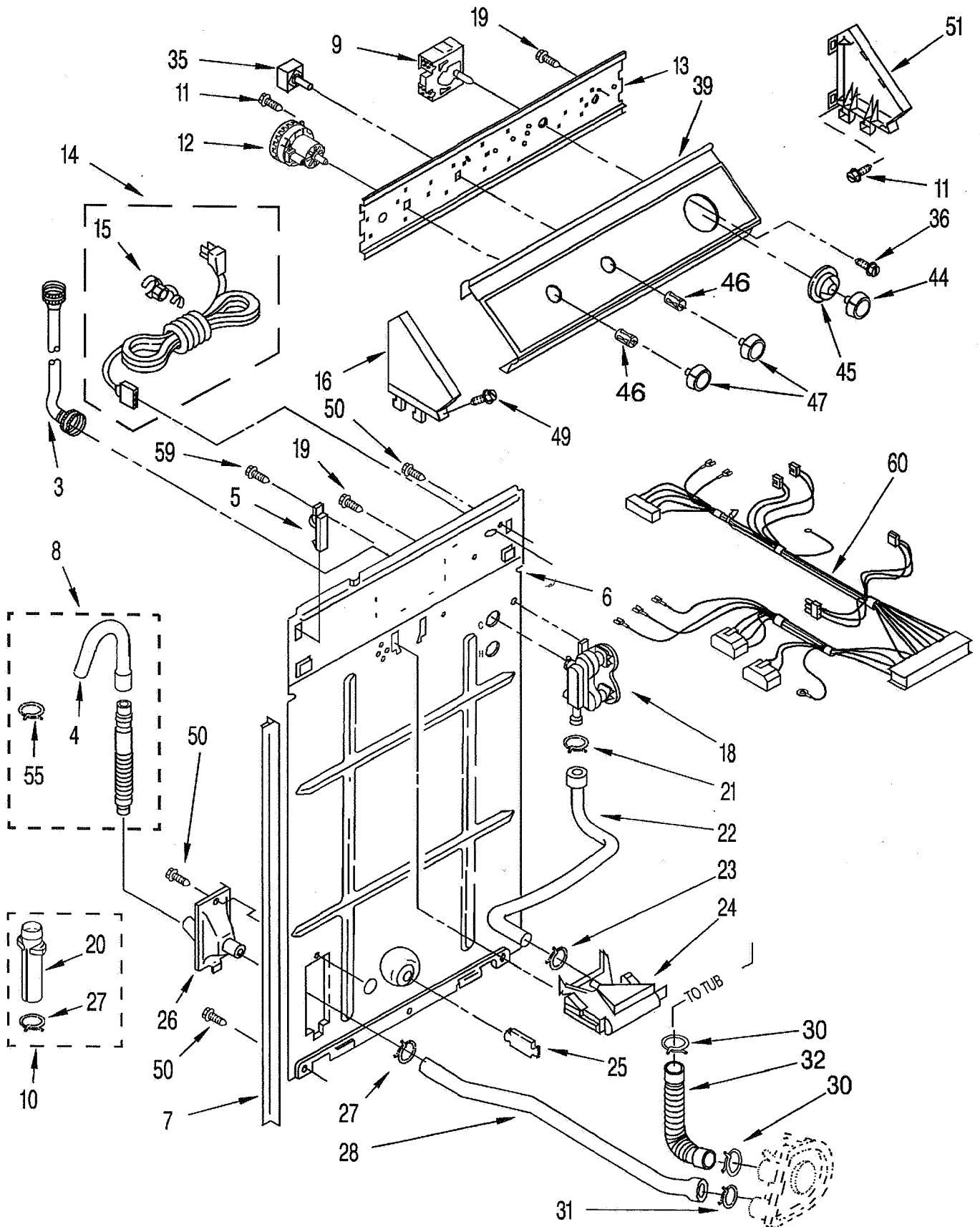
TOP AND CABINET PARTS



**TOP AND CABINET PARTS**

Item	Part No	Description
1	357213	Nut, Push-In
2	3950288	Top
3	62750	Spacer, Cabinet To Top (4)
5	3951171	Cabinet
6	62780	Clip, Top & Cabinet & Rear Panel (2)
8	3356311	Screw & Washer, Lid Switch (2)
11	3951786	Switch, Lid
13	3351355	Screw, Lid Hinge Mounting (4)
15	54584	Hinge, Lid (L.H.)
16	54583	Hinge, Lid (R.H.)
17	19119	Bumper, Lid Hinge
18	21258	Bearing, Lid Hinge (2)
19	3947509	Lid
20	358684	Strike, Lid Switch
22	93770	Bumper, Lid (2)
28	384435	Screw, 10-16 X 1/2 (4)
31	90016	Clip, Harness
32	3362952	Dispenser, Bleach

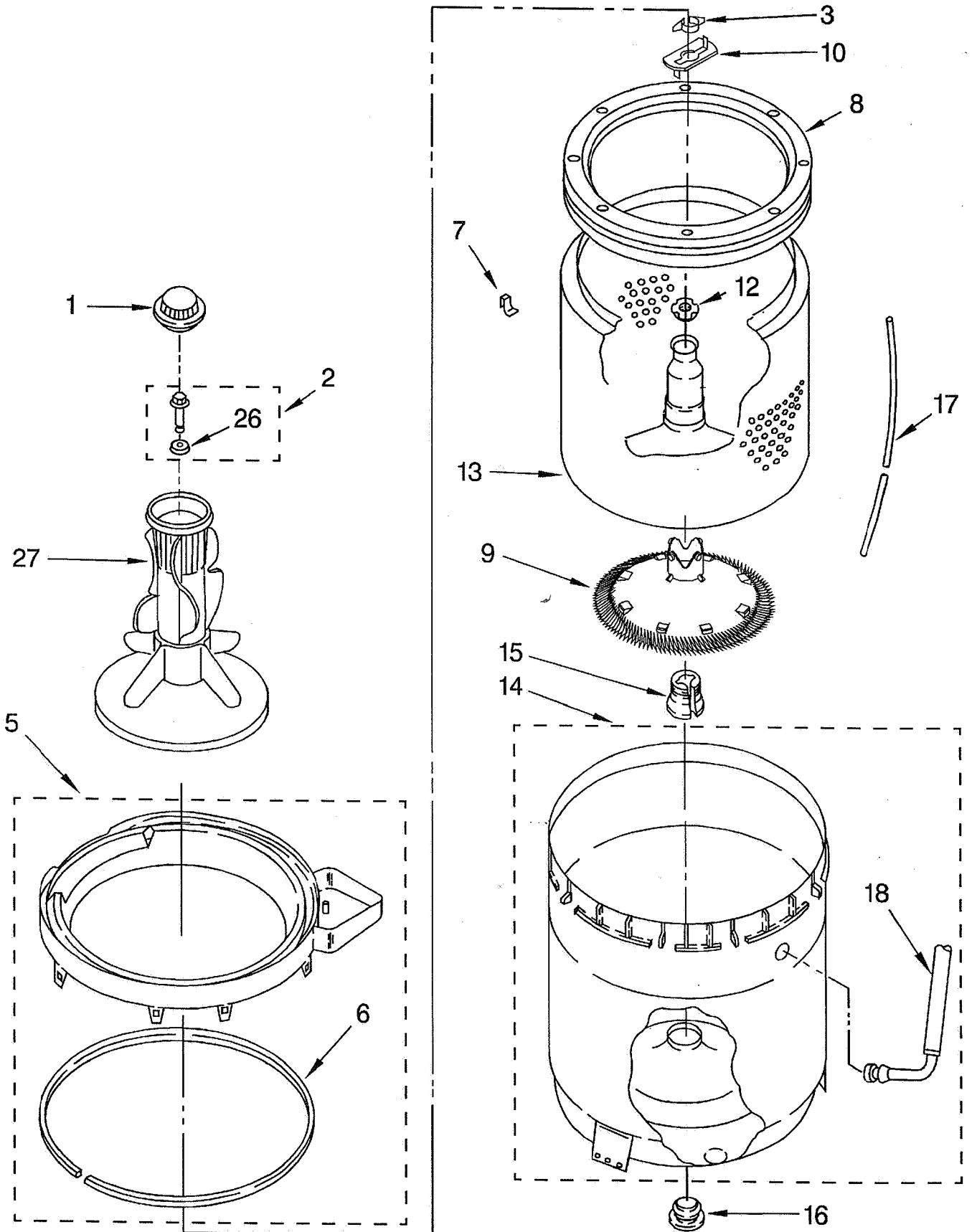
CONTROLS AND REAR PANEL PARTS



**CONTROLS AND REAR PANEL PARTS**

Item	Part No	Description
3	3366916	Hose, Water Inlet (2)
4	3357027	Nozzle-Drain Hose
5	387402	Hinge, Console (2)
6	3357976	Panel, Rear
7	62747	Pad, Rear Panel
8	3951609	Hose, Drain (1.2m)
	661577	Hose, Drain (2.75m) (Not Included.)
	3357090	Extension, Drain Hose (533mm) (Not Included.)
9	3947639	Timer, Control (50 Hz.) (Motor Not A Service Part)
10	285750	Kit - Adapter (Includes Item 20 And 27)
11	90767	Screw, 8A X 3/8
12	3366849	Switch, Water Level
13	3948814	Bracket, Control
14	3353308	Cord, Power
15	3949468	Strain Relief, Power Cord
16	3358013	Cap, End (L.H.)
18	3360393	Valve, Water Mixing
19	90864	Screw, 10-24 X 3/8 (2)
20	3363920	Adapter - Drain Hose
21	370451	Clamp, Hose
22	62662	Hose, Vacuum Break
23	371503	Clamp, Hose
24	3347034	Break, Vacuum
25	63290	Support, Rear Panel
26	3361809	Connector, Drain Hose
27	3366912	Clamp, Hose
28	3359816	Hose, Pump To Drain Connector
30	371504	Clamp, Hose
31	371507	Clamp, Hose
32	3950340	Hose, Pump To Tub Includes Item 30
35	661612	Switch, Water Temperature
36	96435	Screw, Timer Mounting (10-32 X 1) (2)
39	3951545	Panel, Console
44	3362628	Knob, Timer
45	3946479	Dial, Timer
46	688805	Clip, Knob
47	3352875	Knob, Control
49	388326	Screw, 8-18 (Panel To Top)
50	62863	Screw, 10-16 X 3/8
51	3357995	Cap, End (R.H.)
55	3366913	Clamp, Drain Hose
59	3357011	Screw, 10-16 X 1/2
60	3951613	Harness, Wiring (Also See Wiring Harness, Page 14)

AGITATOR, BASKET AND TUB PARTS

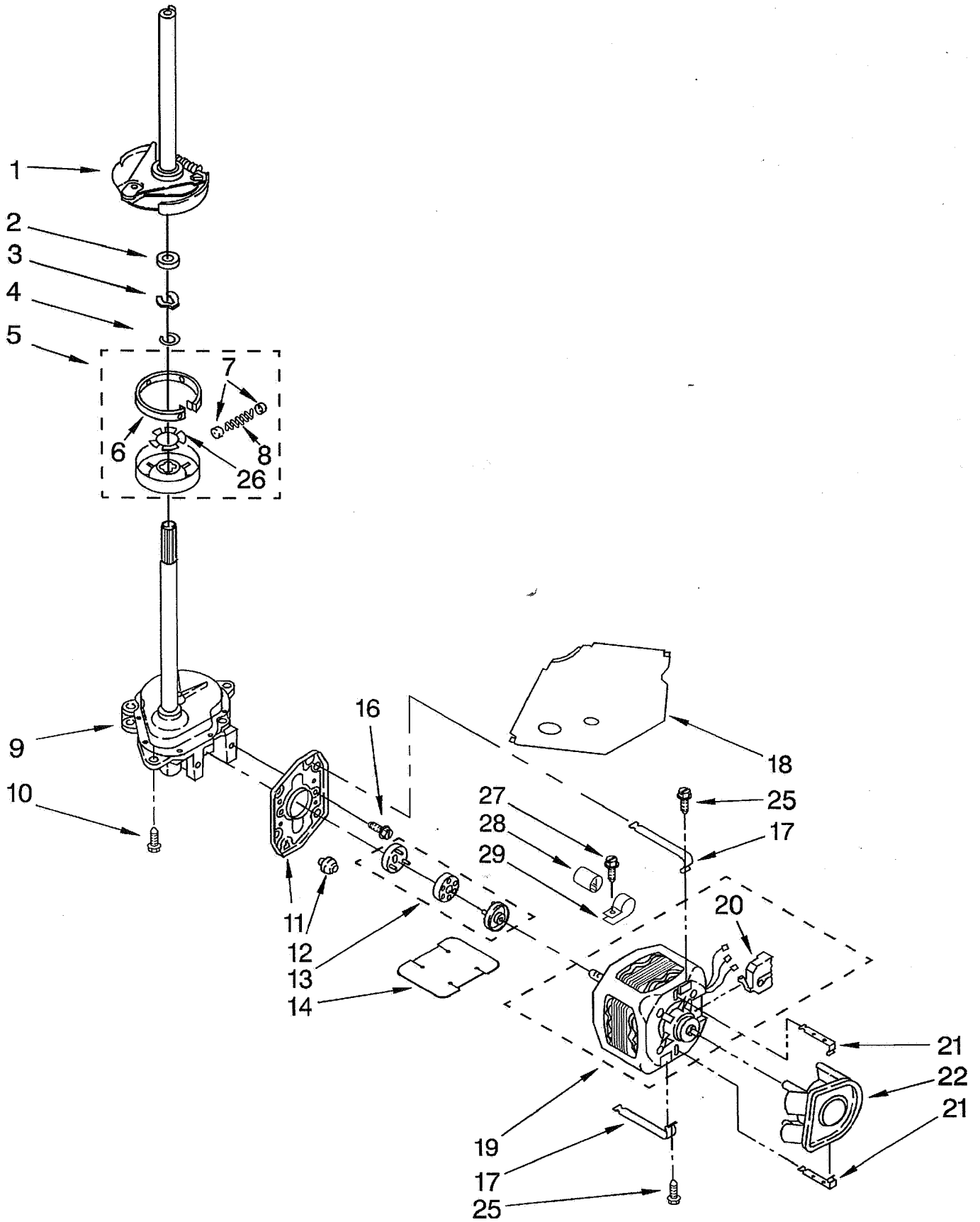




**AGITATOR, BASKET AND TUB PARTS**

<b>Item</b>	<b>Part No</b>	<b>Description</b>
1	3355758	Cap, Agitator
2	358237	Screw & Washer (5-16-24 X 1)
3	3354845	Clip, Agitator
5	3360611	Tub Ring
6	3359586	Gasket, Tub Ring
7	387867	Clip, Balance Ring (8)
8	387868	Balance Ring
9	3361948	Plate - Filter
10	3355921	Washer, Agitator
12	21366	Nut, Spanner
13	3357245	Basket
14	63039	Tub (Includes Item 18)
15	389140	Block, Basket Drive
16	383727	Gasket, Centerpost
17	3347780	Hose, Pressure Switch
18	3948705	Hose, Bleach
26	3949550	Washer
27	63235	Agitator Asy. (Complete)

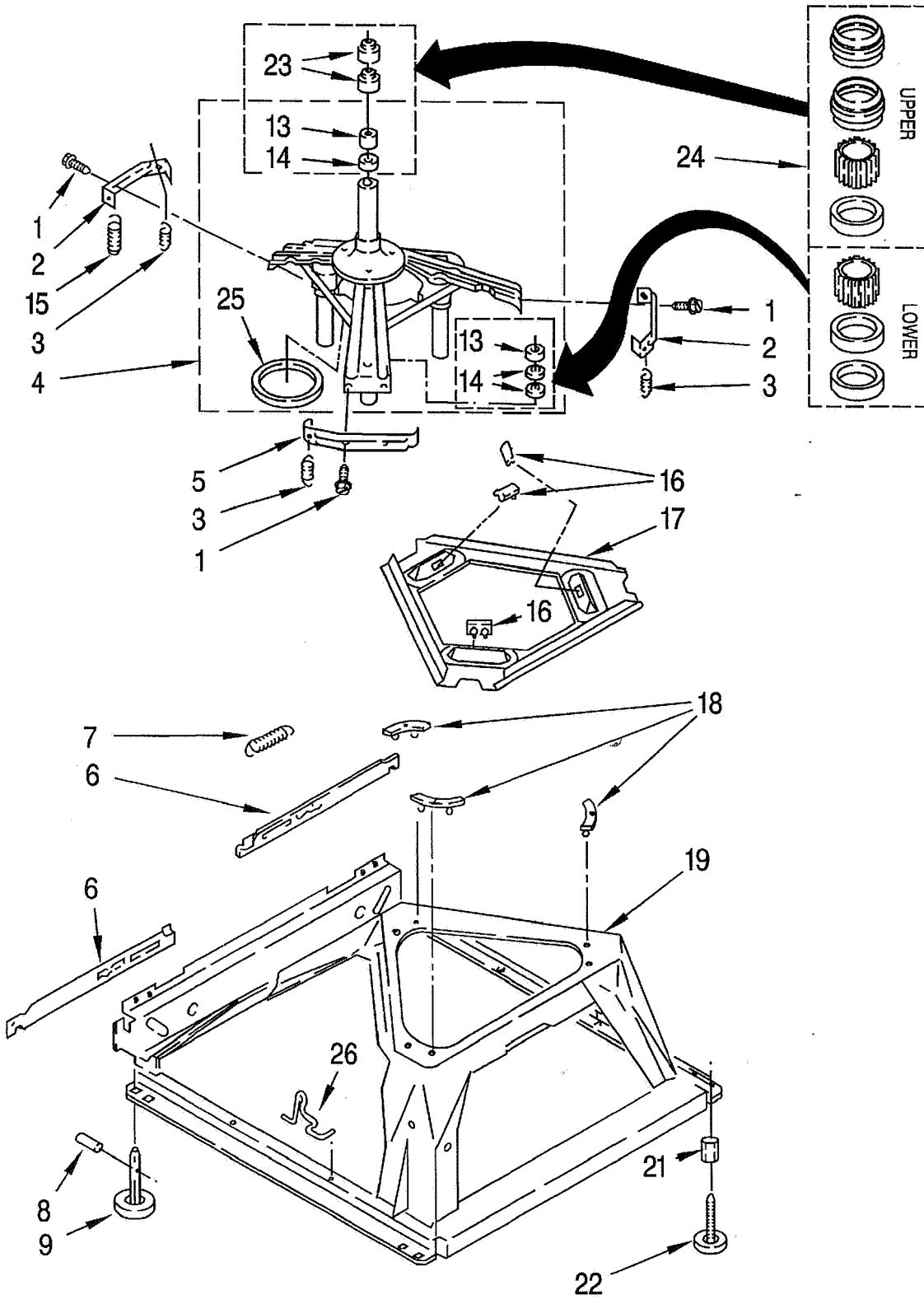
# BRAKE, CLUTCH, GEARCASE, MOTOR AND PUMP PARTS



**BRAKE, CLUTCH, GEARCASE, MOTOR AND PUMP PARTS**

<b>Item</b>	<b>Part No</b>	<b>Description</b>
1	388951	Brake & Drive Tube (Complete) (See also Page 16)
2	63292	Washer, Spin Tube Thrust
3	62697	Ring, Spin Tube Support
4	63283	Ring, Retainer
5	3951311	Clutch (Complete)
6	3951308	Band & Lining, Clutch (Includes Item 7 & 8)
7	62646	Cap, Clutch Spring (2)
8	3951303	Spring, Clutch
9	3949118	Gearcase (Complete) (See also Page 18)
10	3357334	Screw, Gearcase To Base (3)
11	62611	Plate, Motor Mount To Gearcase
12	62691	Grommet, Motor (4)
13	3364003	Coupling, Motor And Isolation Coupling
14	3946532	Shield, Motor
16	3357334	Screw
17	3349637	Retainer, Motor (2)
18	3362089	Shield, Tub To Motor
19	3363190	Motor, Main Drive
20	62850	Switch, Main Drive Motor
21	62700	Retainer, Pump (2)
22	3363892	Pump (Complete)
25	3387485	Screw (2) 10-16 X 5/8
26	3355454	Clip, Anti-Rattle
27	62863	Screw, 10-16 X 5/16
28	357021	Capacitor
29	3949496	Clamp, Capacitor

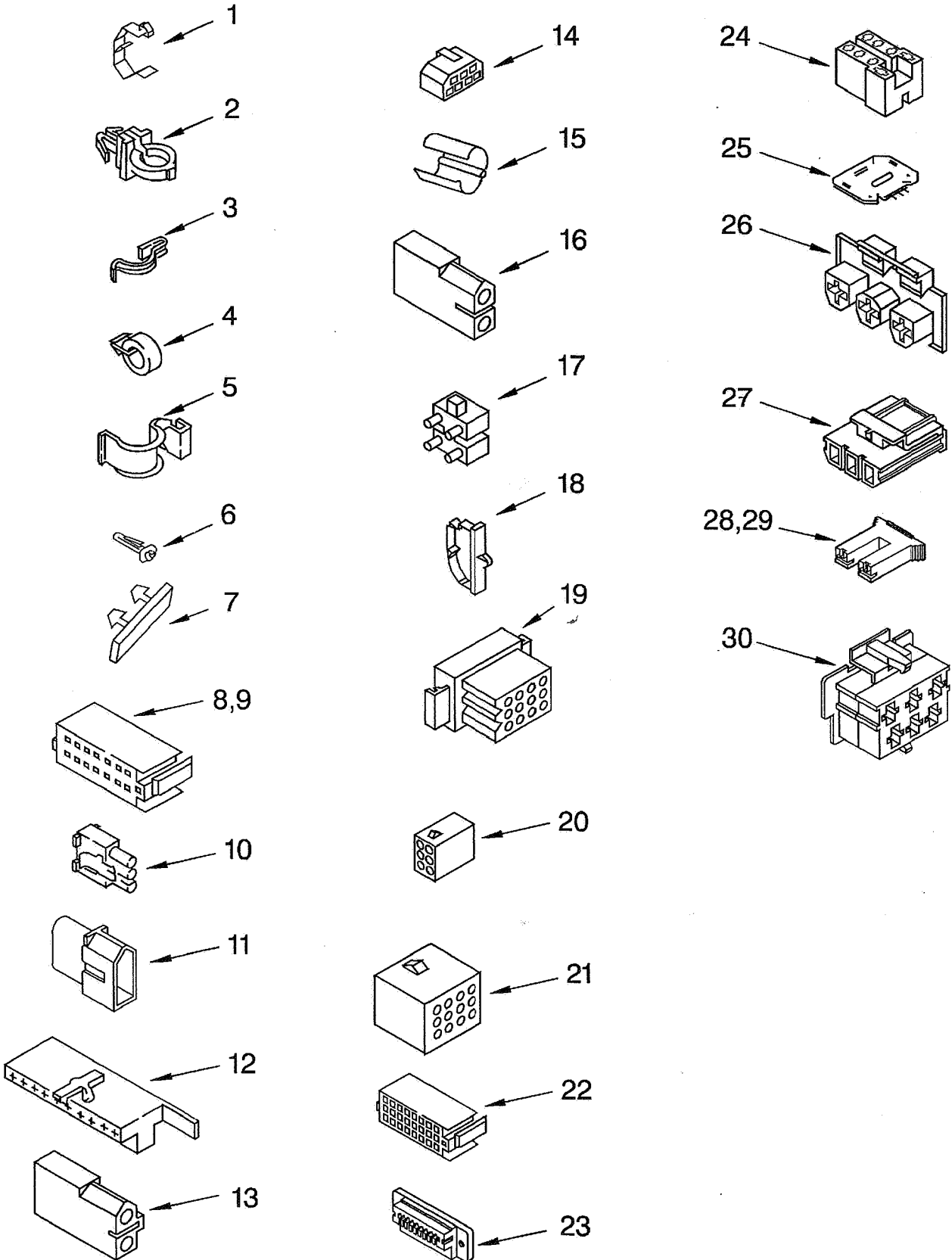
MACHINE BASE PARTS



**MACHINE BASE PARTS**

<b>Item</b>	<b>Part No</b>	<b>Description</b>
1	3387485	Screw, Bracket Mounting 910-16 X 5/8)
2	64067	Bracket, Spring Outer (2)
3	63907	Spring (3)
4	3362087	Support & Brake, Tub
5	64065	Bracket, Spring Outer (L.F.)
6	3348725	Link, Levelling Mechanism
7	62597	Pin, Knurled
8	62837	Foot, Rear (2)
9	62596	Bearing, Centerpost (2)
13	3347047	Bearing, Centerpost (2)
14	357409	Seal, Centerpost (3)
15	388492	Spring, Counterweight
16	62568	Pad, Plate
17	3946509	Plate, Suspension (Includes Item 16)
18	3363660	Pad, Base
19	3349337	Base Assembly (Includes Items 6, 7, 8, 9, 16, 17, 18, & 26)
21	62739	Nut, Lock (3/8-16) (2)
22	389102	Foot, Front (2)
23	356934	Seal, Centerpost (2)
24	285203	Centerpost Bearing Kit (Includes Items 13, 14 & 23)
25	63134	Ring, Sound Deadening
26	63806	Retainer, Suspension Spring

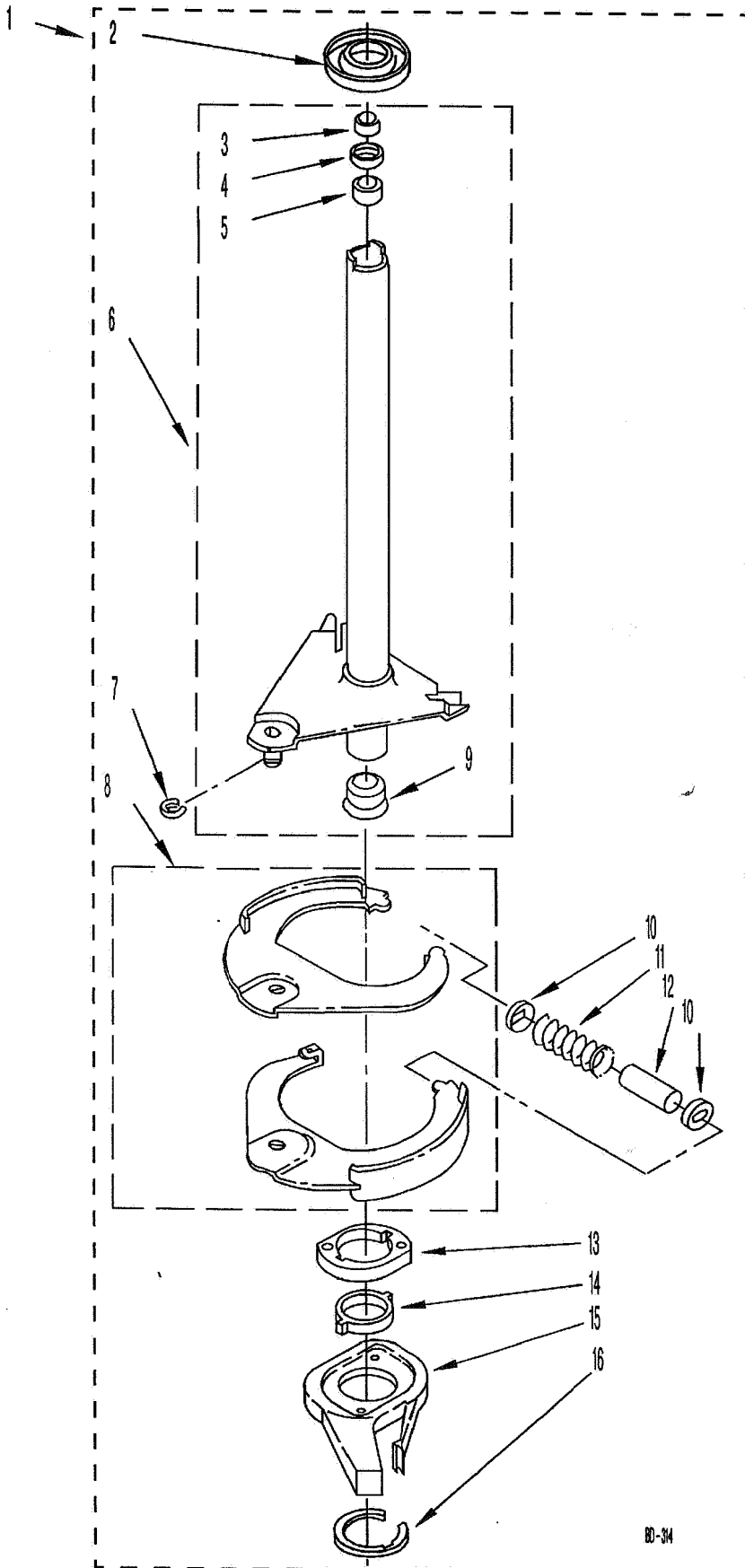
WIRING HARNESS PARTS



**WIRING HARNESS PARTS**

Item	Part No	Description
1	3349557	Clip, Harness
2	388498	Clip, Harness
3	3347812	Clip, Harness
4	3352501	Clip, Harness
5	90016	Clip, Harness
6	3390496	Clip, Harness
7	389379	Retainer, (Suds Models)
8	352090	Timer, Block Disconnect (White)
9	352089	Timer, Block Disconnect (Black)
10	62889	Receptacle, Terminal (Lid Switch) (Term. 94613 Or 94614.)
11	353424	Plug, Terminal (3-Way) (Power Cord) (Use Term. 94613.)
12	62505	Block, Disconnect (Motor 2 Speed) (Use Term. 352088)
13	3348075	Block, Disconnect (Motor 3 Speed) (Term. 94613 Or 94614)
14	3347243	Block, Disconnect (Use Term. 352088)
15	63523	Protector
16	717252	Connector (2-Way) (Use Term. 94614)
17	387566	Plug, Terminal (4-Way) (Power Cord) (Use M3 Screws)
18	3352944	Clip, Harness
19	3390423	Block, Disconnect (12-Way) (Timer) (Use Term. 94613)
20	3347730	Receptacle (6-Way) (Use Term. 94613)
21	388818	Plug, Terminal (12-Way) (Use Term. 94613 or 94614.)
22	3369366	Timer, Block Disconnect (Black) (Use Term. 3369365)
23	3349494	Connector, Etc
24	60687	Connector, Relay (Use Term. 308569 or 338664.)
25	3407125	E.T.C Control
26	3948617	Connector (3-C'uit) (Lid Switch) (Term. 3948619 or 3948620)
27	3360056	Connector (Pressure Switch) (Term. 3948619 or 3948620)
28	3354925	Block, Connector (Cold Valve) (Use Term 693217)
29	3354926	Block, Connector (Hot Valve) (Use Term 693217)
30	3948615	Connector (Temp. Switch) (Term. 3948619 or 3948620)

BRAKE AND DRIVE TUBE PARTS

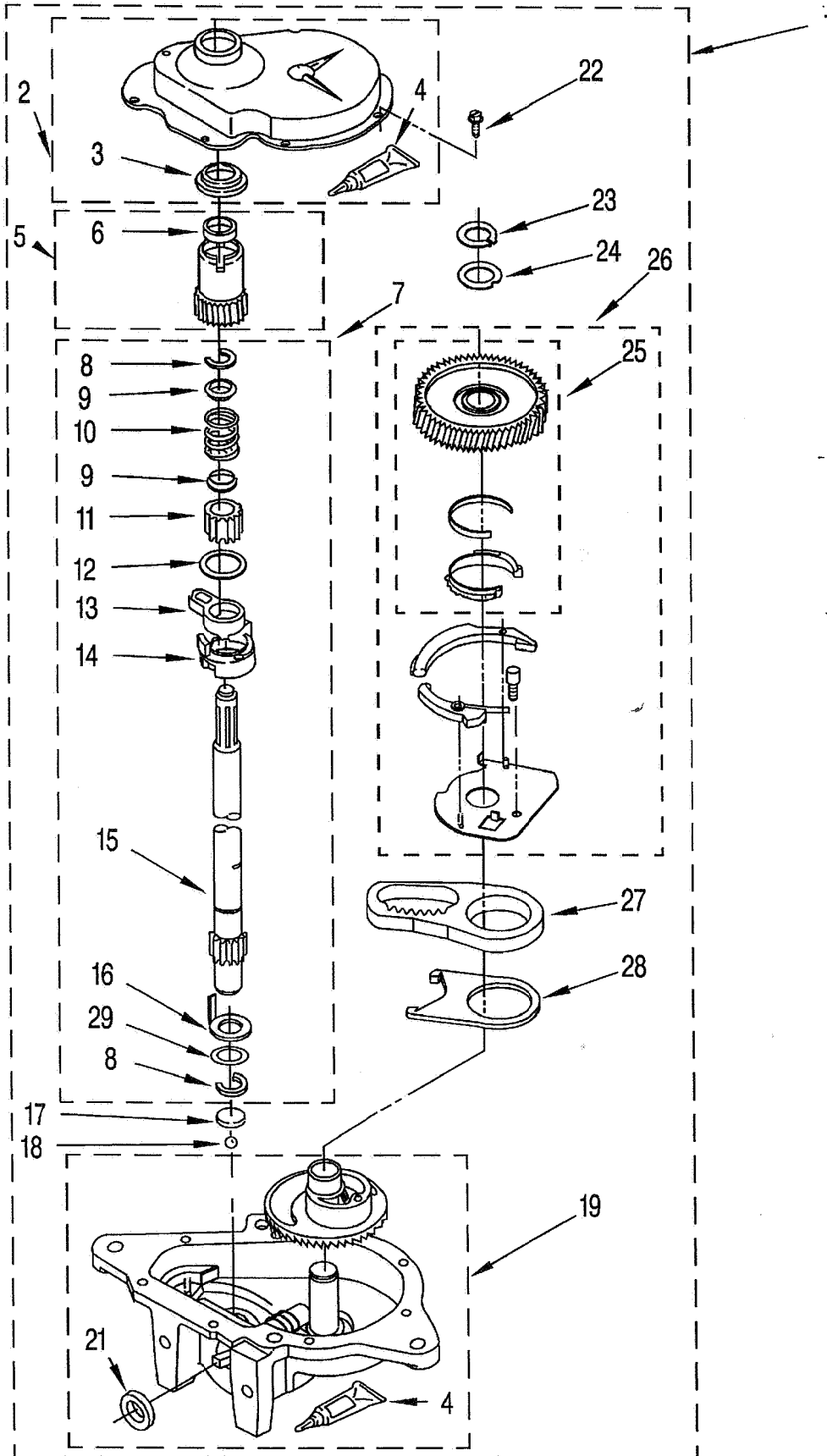




**BRAKE AND DRIVE TUBE PARTS**

Item	Part No	Description
1	388951	Brake And Drive Tube (Complete)
2	62658	Ring, Thrust
3	91939	Seal, Oil
4	356427	Seal, Drive Tube
5	356937	Spacer, Drive Tube
6	64027	Tube, Basket Drive (Includes Illus. 3, 4, 5 & 9)
7	64035	Ring, Retaining
8	64232	Brake Shoe
9	62703	"T" Bearing, Spin Tube
10	62648	Cap, Brake Spring (2)
11	62647	Spring, Brake
12	62909	Sleeve, Brake Spring
13	63023	Cam, Brake Release
14	63022	Sleeve, Cam
15	64194	Driver, Brake Cam
16	90368	Ring, Retaining

GEARCASE PARTS

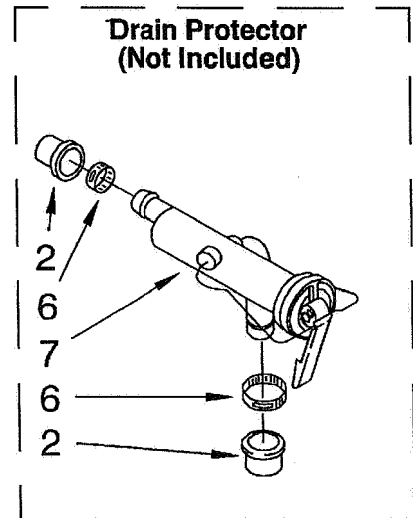
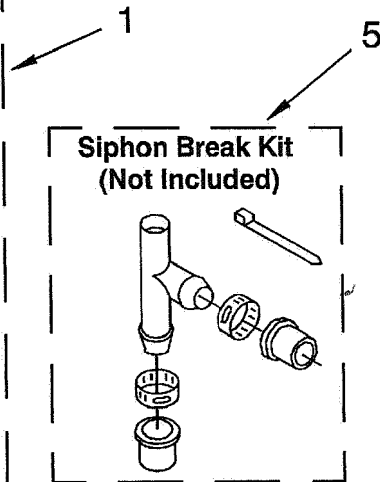
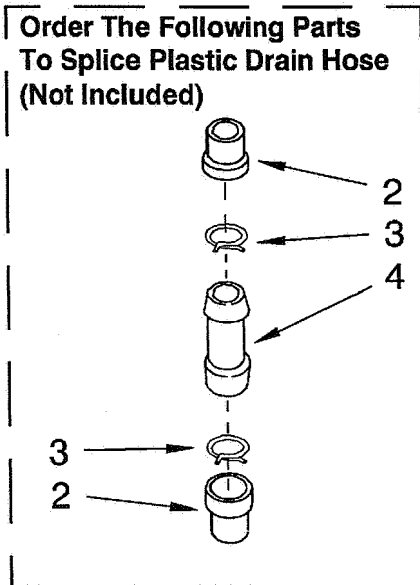


**GEARCASE PARTS**

<b>Item</b>	<b>Part No</b>	<b>Description</b>
1	3363361	Gearcase (Complete)
2	285202	Cover, Gearcase
3	3349985	Seal, Gearcase Cover
4	285195	Sealer, Gasket (.20 Fl. Oz.) (6 ml)
5	63320	Pinion, Spin (Includes Item 25)
6	356427	Seal, Spin Pinion
7	389387	Shaft, Agitator (Complete)
8	90369	Ring, Retaining (2)
9	62677	Retainer, Spring (2)
10	62676	Spring, Agitate
11	63273	Gear, Agitate (Includes Items 15 & 29)
12	62619	Washer, Agitate Gear
13	62580	Cam Follower (Includes Item 14)
14	62581	Cam, Agitate (Includes Item 13)
15	285509	Shaft, Agitator (Includes Items 11 & 29)
16	62618	Washer, Cam Thrust
17	16018	Bearing, Thrust (Includes Item 18)
18	85529	Ball, Bearing (Includes Item 17)
19	3366851	Bottom And Pinion Gearcase
21	285352	Seal, Thrust Plug
22	3351614	Screw, Gearcase Cover Mounting (8) (10-24 X 3/8)
23	3362552	Ring, Retaining
24	285735	Washer Kit, Thrust
25	3348567	Gear, Spin
26	285595	Neutral Assembly
27	3349296	Rack, Connecting
28	62621	Actuator, Shift
29	388815	Washer, Intermediate

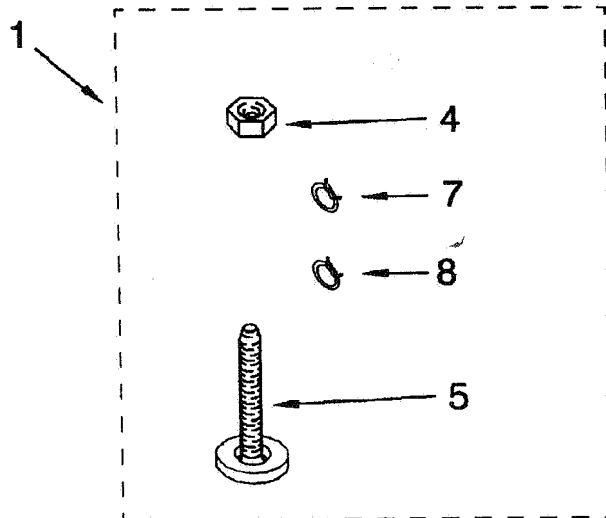
**WATER SYSTEM PARTS**

Item	Part No	Description
1	285442	Connector Kit, Plastic Drain Hose
2	285321	Sleeve Kit, (Contains 2 Sleeves)
3	370447	Clamp, Hose
4	16272	Connector, Straight
5	285320	Siphon Break Kit (Not Included)
6	65349	Clamp, Hose
7	367031	Drain Protector (Not Included)

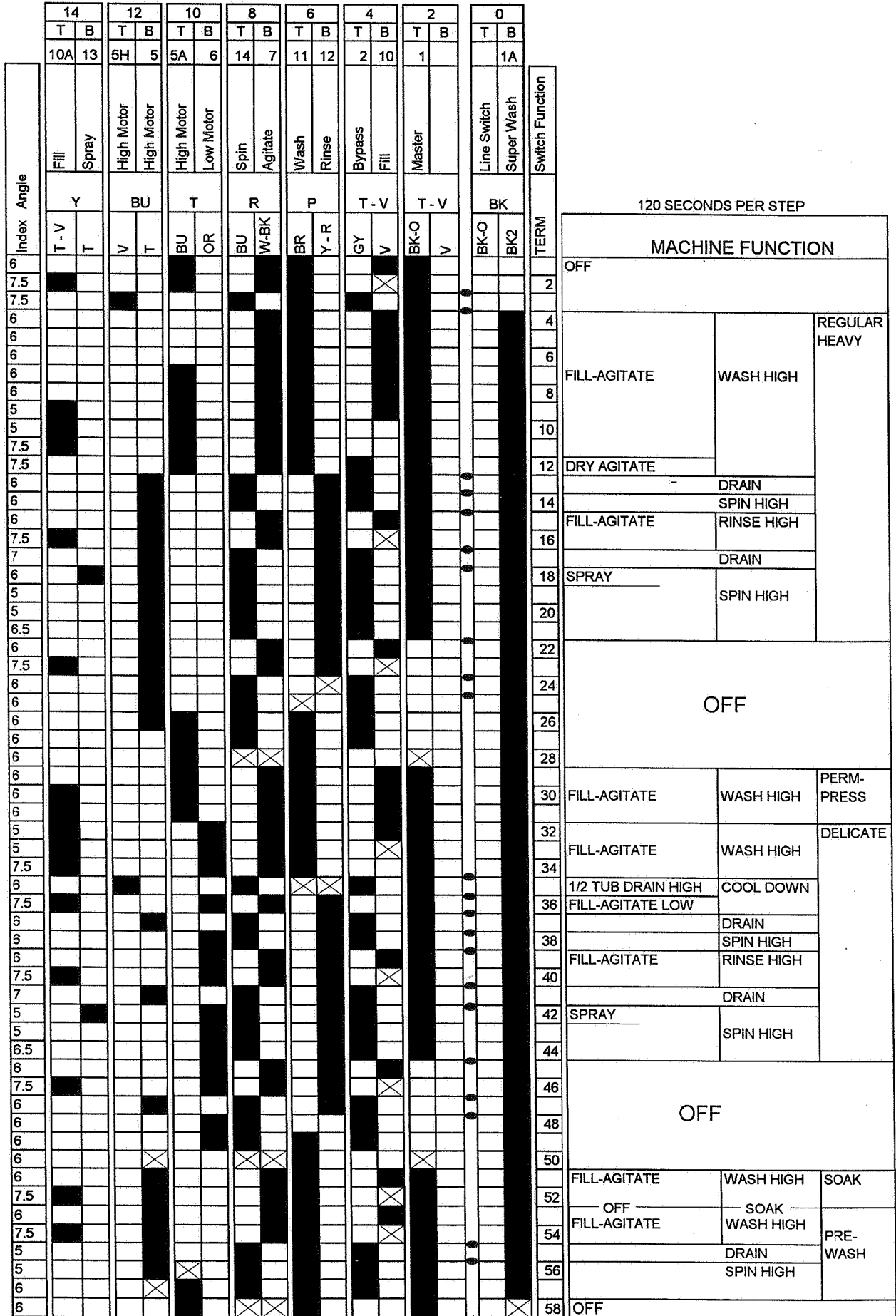


**MISCELLANEOUS PARTS**

Item	Part No	Description
1	3976257	Miscellaneous Parts Bag
4	62739	Nut, Lock (2) (3/8 - 16)
5	389102	Foot, Front (2)
7	356138	Clamp, Hose
8	3366913	Clamp, Hose




TIMER CHART



Motor 5s pause  
 ☒ Timer contact may be opened or closed

CIRCUIT AND WIRING DIAGRAM



**⚠ WARNING**

Disassemble from electric supply before servicing.

Replace all panels before operating.

