

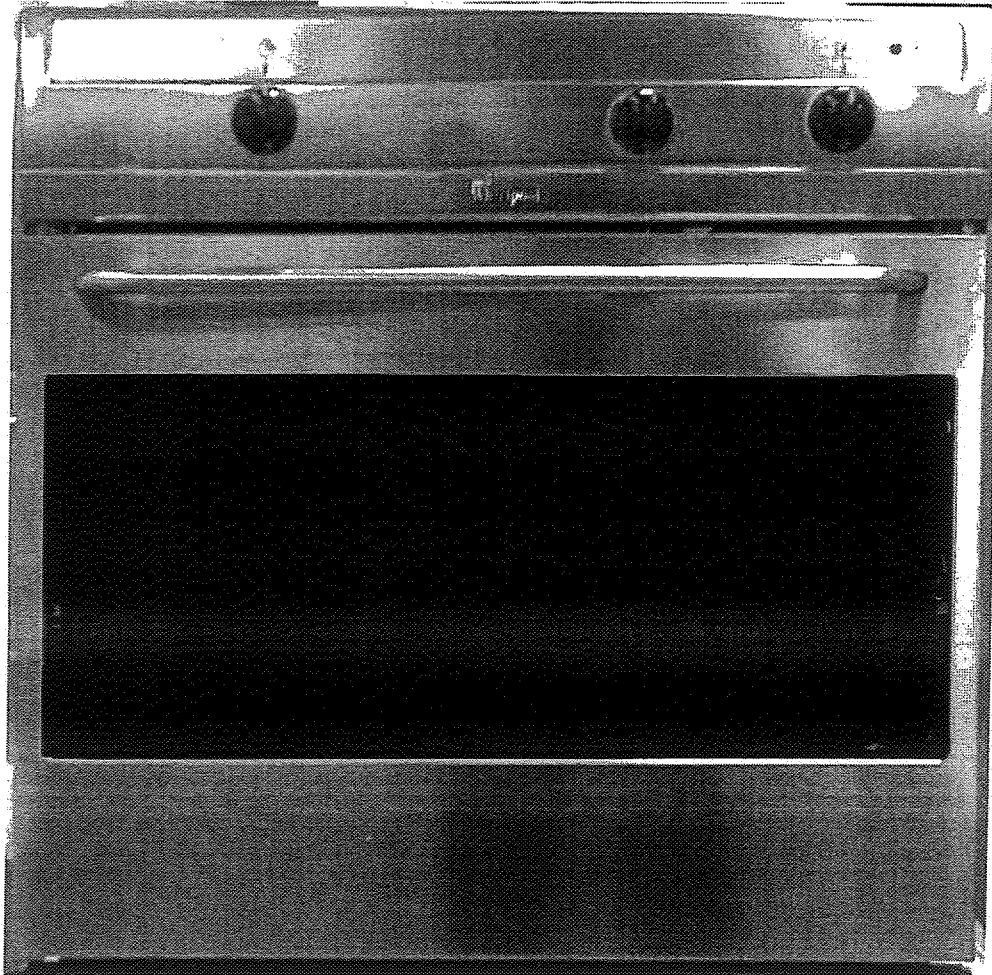
**WHIRLPOOL AUSTRALASIA
CONSUMER SERVICES**

**SERVICE MANUAL
SINGLE UNDERBENCH OVEN**

**Model 6AKP506/WH
Version 8577 506 53000**

**Model 6AKP506/IX
Version 8577 506 53010**

This documentation is intended only for qualified technicians who possess the required qualifications and are aware of the regulatory requirements applicable to servicing electrical appliances.

**Model 6AKP506/IX**

	Page
TECHNICAL DATA	3
EXPLODED VIEW - Model 6AKP506/WH	4
SPARE PARTS LIST - Model 6AKP506/WH	5
EXPLODED VIEW - Model 6AKP506/IX	6
SPARE PARTS LIST - Model 6AKP506/IX	7
CIRCUIT DIAGRAM - MODELS 6AKP506/WH AND 6AKP/IX	8

TECHNICAL DATA**ELECTRICAL CONNECTION**

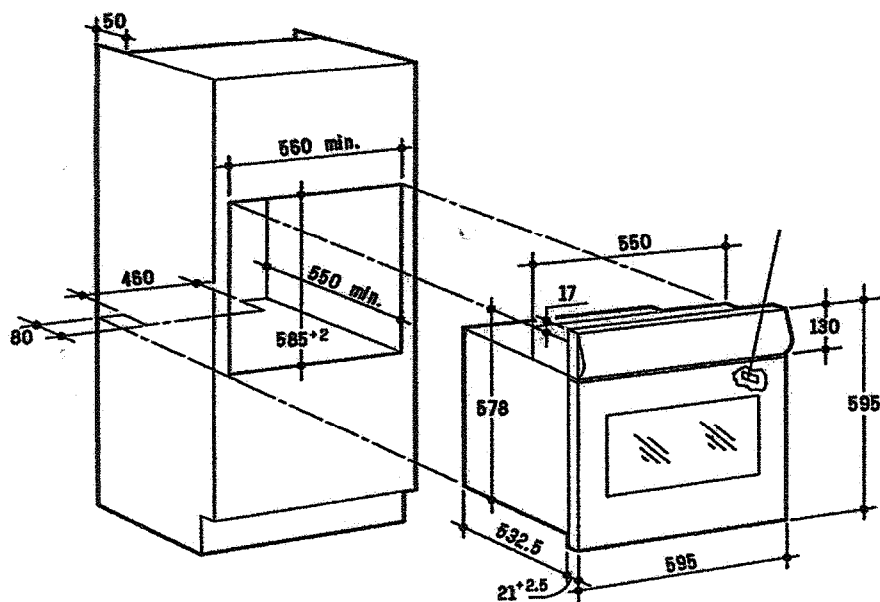
Rated voltage	230 - 240 V ~ , 50 Hz
Main connection	Single Phase and neutral
Maximum Input Power	2550 W
Upper Oven Element	900 W
Lower Oven Element	1150 W
Griller Element	2450 W
Cooling Fan Motor	22 W
Oven Lamp	25 W, 230 - 240 V, 300°C

ELECTRICAL COMPONENTS

Auto timer Automatic-off (53.120.9.534.08)

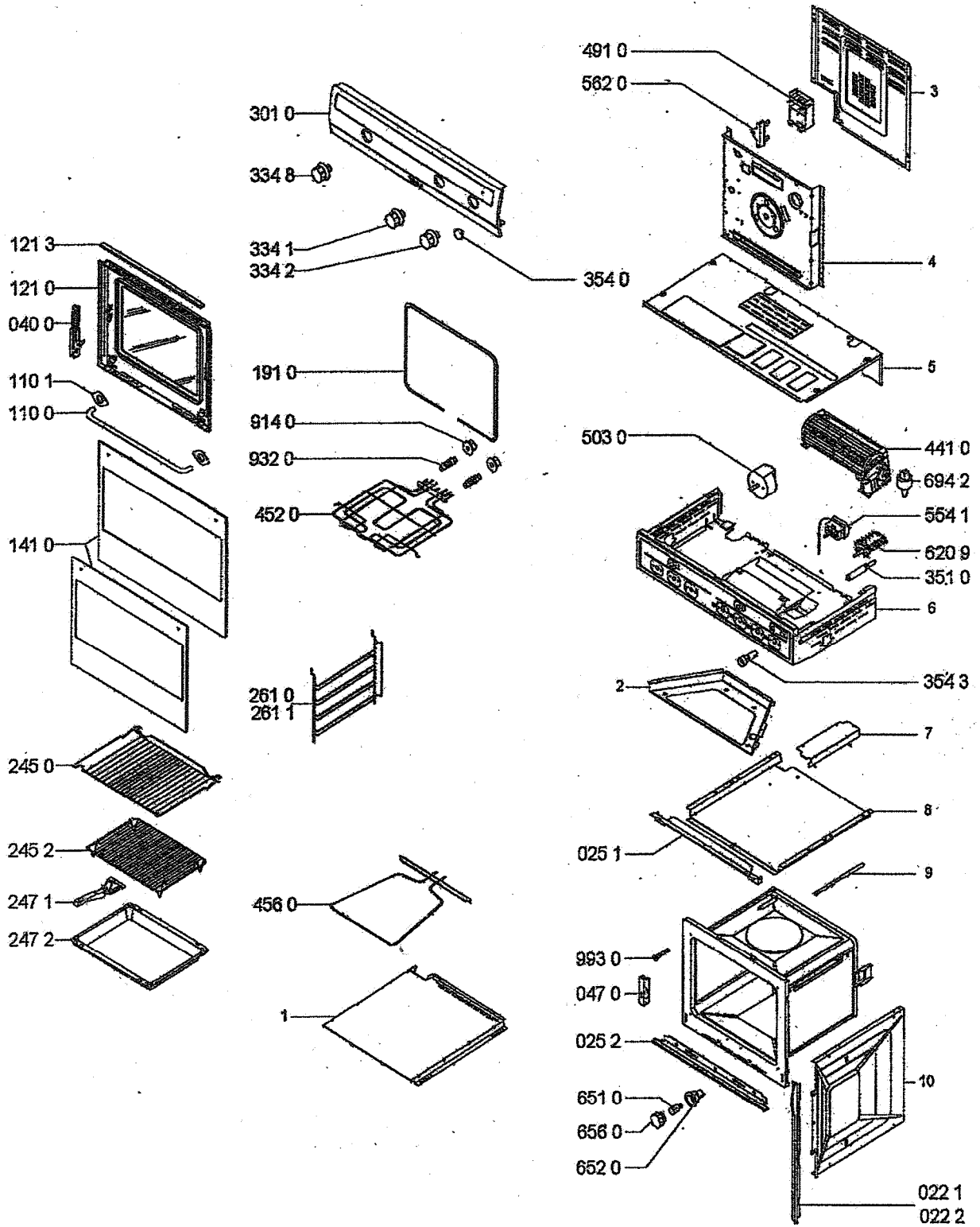
ACCESSORIES

Fat pan enamelled	415 x 318 mm
Grid chrome	446.5 x 340 mm

INSTALLATION DETAILS

z8100002

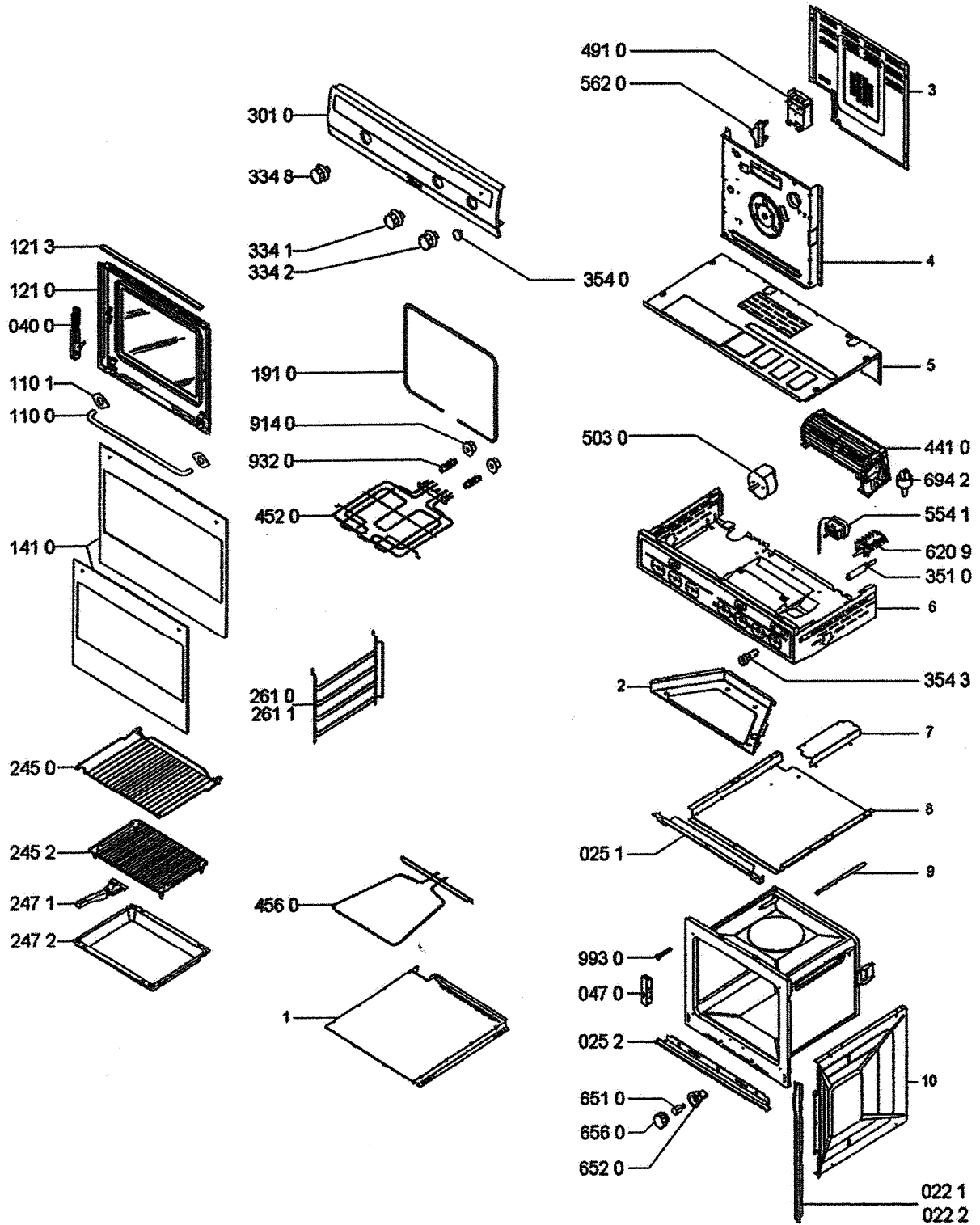
EXPLODED VIEW - Model 6AKP506/WH



PARTS LIST - Model 6AKP506/WH

Item	Part No	Description
022 1	4819 460 78469	Trim, side left
022 2	4819 460 78468	Trim, side right
025 1	4819 460 78628	Trim, lower
025 2	4819 460 78849	Trim, lower
040 0	4812 417 18838	Hinge
047 0	4812 417 18837	Hinge runner mechanism
110 0	4819 498 78173	Handle, door
121 0	4819 442 39501	Inner door, oven
141 0	4819 450 69855	Oven glass
191 0	4819 468 18109	Gasket
245 0	4819 458 68752	Oven shelf
245 2	4819 458 19538	Grid
247 1	4819 395 48003	Griller Pan Handle
247 2	4819 418 38328	Fat pan
261 0	4819 458 68282	Shelf side rack, RHS
261 1	4819 458 68283	Shelf side rack, LHS
301 0	4819 453 49962	Control panel
334 1	4819 411 29095	Knob, thermostat
334 2	4819 411 29134	Knob, selector switch
334 8	4819 411 29152	Knob, timeswitch
351 0	4819 134 48424	Pilot lamp
354 0	4819 462 79749	Lens red
354 3	4819 462 38759	Guide pilot lamp
441 0	4819 361 18475	Motor 230 - 240 V, 22W
452 0	4819 259 28851	Heating element, upper/grill
456 0	4819 259 28847	Heating element, lower
491 0	4812 290 68168	Connection block
503 0	4819 282 18675	Timer
554 1	4819 282 28602	Thermostat
562 0	4819 252 28078	Thermal fuse
620 9	4819 273 28401	Switch, oven
651 0	4819 134 88153	Lamp, oven, 25 W, 300°C
652 0	4819 255 18237	Lampholder
656 0	4819 450 69844	Lamp screen
694 2	4819 466 69505	Stopper
914 0	4819 505 18323	Nut
932 0	4819 492 68714	Spring
993 0	4819 310 39087	Mounting kit

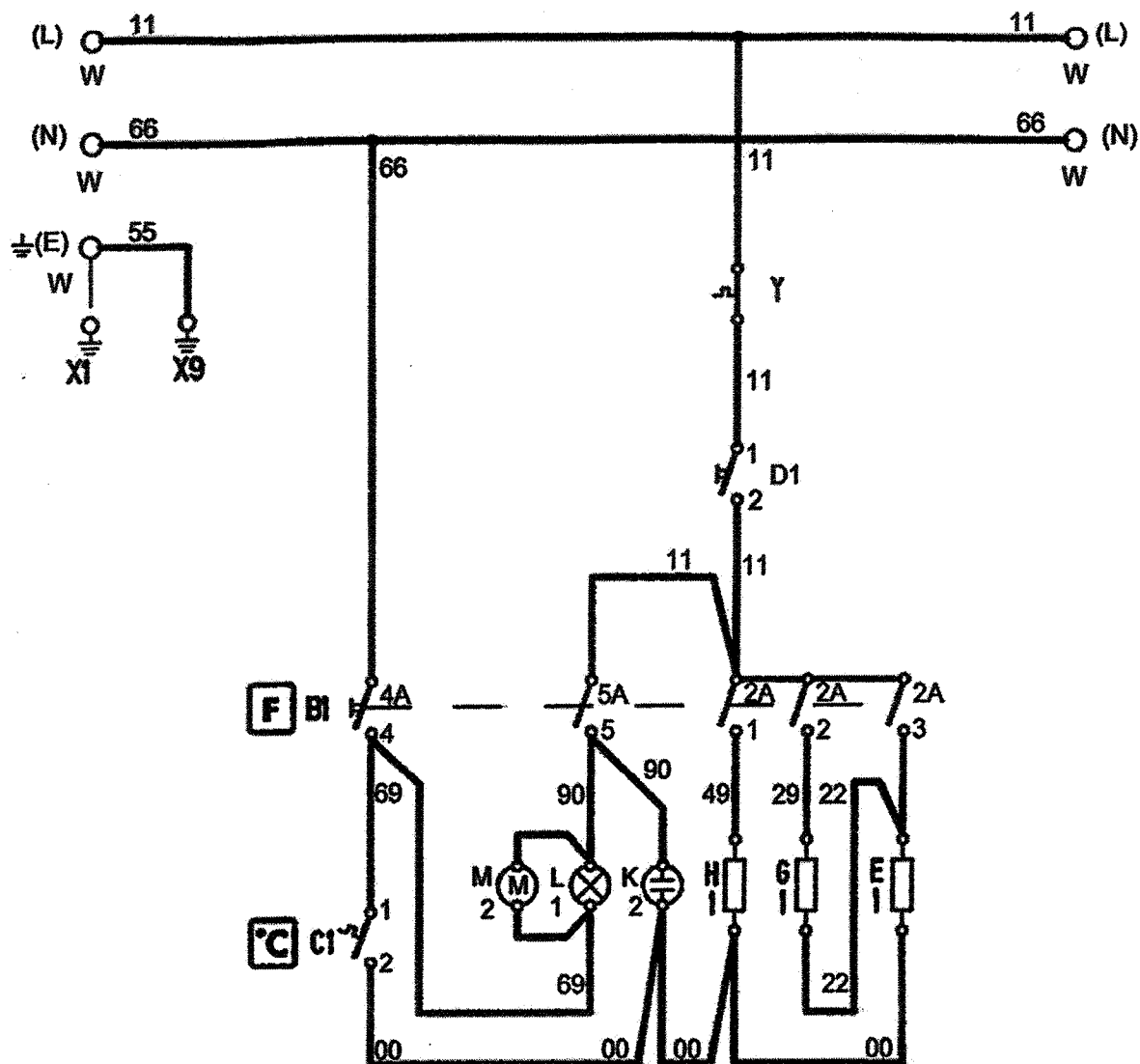
EXPLODED VIEW - Model 6AKP506/IX



PARTS LIST - Model 6AKP506/IX

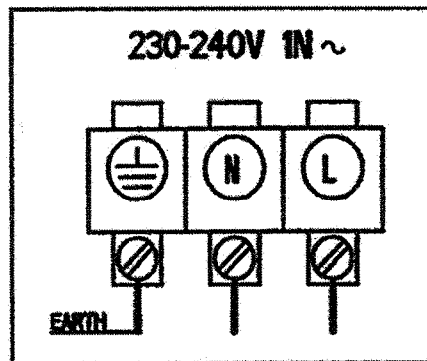
Item	Part No	Description
022 1	4819 460 78481	Trim, side left
022 2	4819 460 78479	Trim, side right
025 1	4819 460 78627	Trim, lower
025 2	4819 460 78851	Trim, lower
040 0	4812 417 18838	Hinge
047 0	4812 417 18837	Hinge runner mechanism
110 0	4819 498 78005	Handle, door
110 1	4819 462 48456	Rubber ring
121 0	4819 442 39501	Inner door, oven
121 3	4819 460 89431	Trim
141 0	4819 450 69864	Oven glass
191 0	4819 468 18109	Gasket
245 0	4819 458 68752	Oven shelf
245 2	4819 458 19538	Grid
247 1	4819 395 48003	Handle, griller pan
247 2	4819 418 38328	Fat pan
261 0	4819 458 68282	Shelf side rack, RHS
261 1	4819 458 68283	Shelf side rack, LHS
301 0	4819 453 58269	Control panel
334 1	4819 411 29092	Knob, thermostat
334 2	4819 411 29125	Knob, selector switch
334 8	4819 411 29168	Knob timer
351 0	4819 134 48424	Pilot lamp
354 0	4819 462 79749	Lens red
354 3	4819 462 38759	Guide pilot lamp
441 0	4819 361 18475	Motor 230 - 240 V, 22W
452 0	4819 259 28851	Heating element upper/grill
456 0	4819 259 28847	Heating element lower
491 0	4812 290 68168	Connection block
503 0	4819 282 18675	Timer
554 1	4819 282 28602	Thermostat
562 0	4819 252 28078	Thermal fuse
620 9	4819 273 28401	Switch, oven
651 0	4819 134 88153	Lamp, oven, 25 W, 300°C
652 0	4819 255 18237	Holder, lamp
656 0	4819 450 69844	Lamp screen
694 2	4819 466 69505	Stopper
914 0	4819 505 18323	Nut
932 0	4819 492 68714	Spring
993 0	4819 310 39087	Mounting kit

CIRCUIT DIAGRAM - Models 6AKP506/WH and 6AKP506/IX



- 00 BLACK
- 11 BROWN
- 22 RED
- 33 ORANGE
- 44 YELLOW
- 55 GREEN
- 66 BLUE
- 77 VIOLET
- 88 BLUE SKY
- 99 WHITE
- 09 WHITE-BLACK
- 29 WHITE-RED
- 49 WHITE-YELLOW
- 69 WHITE-BLUE
- 90 GREY
- 45 YELLOW-GREEN

- B1 OVEN SELECTOR
- C1 OVEN THERMOSTAT
- D1 AUTOMATIC OFF
- E1 GRILL HEATING ELEMENT
- G1 UPPER HEATING ELEMENT
- H1 LOWER HEATING ELEMENT
- L1 REAR SIDE OVEN LAMP
- M2 COOLING FAN
- W MAINS TERMINAL BLOCK
- Y THERMOFUSE
- K2 OVEN THERMOSTAT PILOT LAMP (RED)
- X1 EARTHING CABINET
- X9 EARTHING UPPER HEATING EL.



4619 619 02911